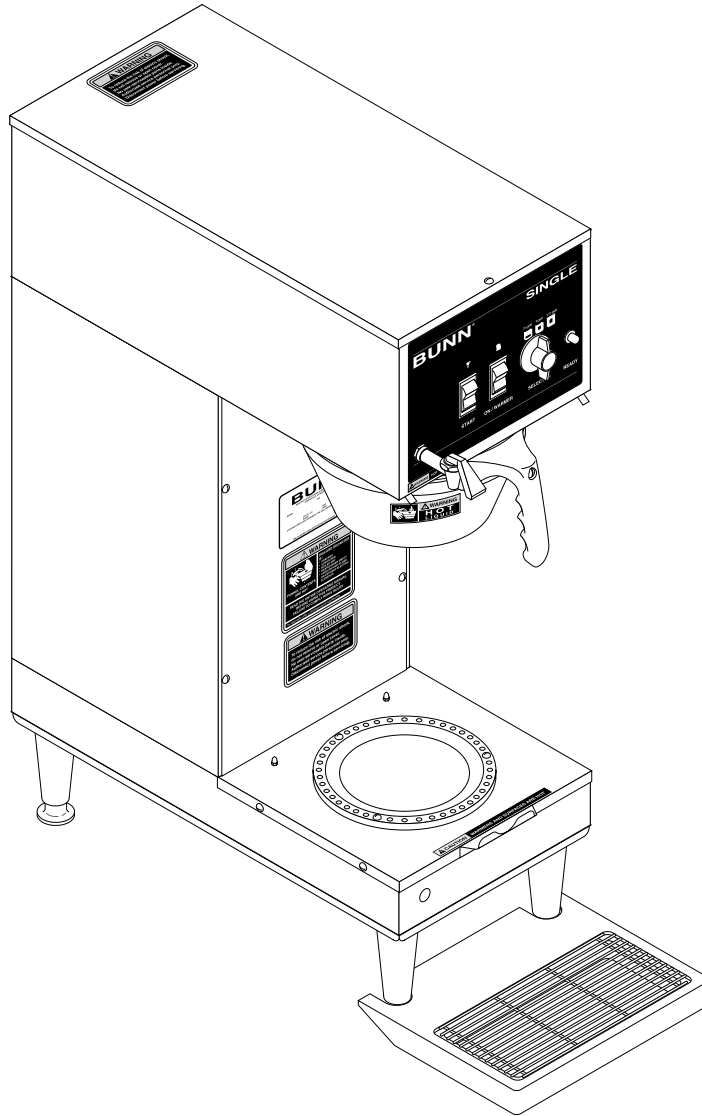


# BUNN®

# SINGLE®

(Serial # SNG0005000 - Up)



## ILLUSTRATED PARTS CATALOG

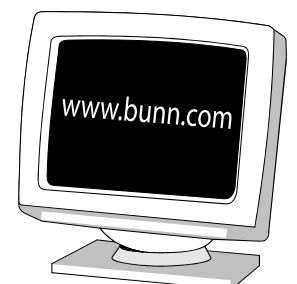
Designs, materials, weights, specifications, and dimensions for equipment or replacement parts are subject to change without notice.

**BUNN-O-MATIC CORPORATION**

POST OFFICE BOX 3227

SPRINGFIELD, ILLINOIS 62708-3227

PHONE: (217) 529-6601 FAX: (217) 529-6644



## BUNN-O-MATIC COMMERCIAL PRODUCT WARRANTY

Bunn-O-Matic Corp. ("BUNN") warrants equipment manufactured by it as follows:

- 1) Airpots, thermal carafes, decanters, GPR servers, iced tea/coffee dispensers, MCR/MCP/MCA single cup brewers, thermal servers and ThermoFresh® servers (mechanical and digital) 1 year parts and 1 year labor.
- 2) All other equipment - 2 years parts and 1 year labor plus added warranties as specified below:
  - a) Electronic circuit and/or control boards - parts and labor for 3 years.
  - b) Compressors on refrigeration equipment - 5 years parts and 1 year labor.
  - c) Grinding burrs on coffee grinding equipment to grind coffee to meet original factory screen sieve analysis - parts and labor for 4 years or 40,000 pounds of coffee, whichever comes first.

These warranty periods run from the date of installation BUNN warrants that the equipment manufactured by it will be commercially free of defects in material and workmanship existing at the time of manufacture and appearing within the applicable warranty period. This warranty does not apply to any equipment, component or part that was not manufactured by BUNN or that, in BUNN's judgment, has been affected by misuse, neglect, alteration, improper installation or operation, improper maintenance or repair, non periodic cleaning and descaling, equipment failures related to poor water quality, damage or casualty. In addition, the warranty does not apply to replacement of items subject to normal use including but not limited to user replaceable parts such as seals and gaskets. This warranty is conditioned on the Buyer 1) giving BUNN prompt notice of any claim to be made under this warranty by telephone at (217) 529-6601 or by writing to Post Office Box 3227, Springfield, Illinois 62708-3227; 2) if requested by BUNN, shipping the defective equipment prepaid to an authorized BUNN service location; and 3) receiving prior authorization from BUNN that the defective equipment is under warranty.

**THE FOREGOING WARRANTY IS EXCLUSIVE AND IS IN LIEU OF ANY OTHER WARRANTY, WRITTEN OR ORAL, EXPRESS OR IMPLIED, INCLUDING, BUT NOT LIMITED TO, ANY IMPLIED WARRANTY OF EITHER MERCHANTABILITY OR FITNESS FOR A PARTICULAR PURPOSE.** The agents, dealers or employees of BUNN are not authorized to make modifications to this warranty or to make additional warranties that are binding on BUNN. Accordingly, statements by such individuals, whether oral or written, do not constitute warranties and should not be relied upon.

If BUNN determines in its sole discretion that the equipment does not conform to the warranty, BUNN, at its exclusive option while the equipment is under warranty, shall either 1) provide at no charge replacement parts and/or labor (during the applicable parts and labor warranty periods specified above) to repair the defective components, provided that this repair is done by a BUNN Authorized Service Representative; or 2) shall replace the equipment or refund the purchase price for the equipment.

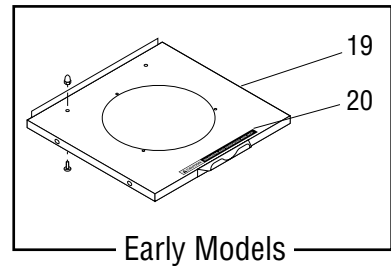
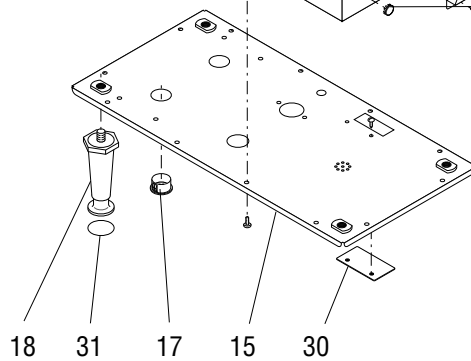
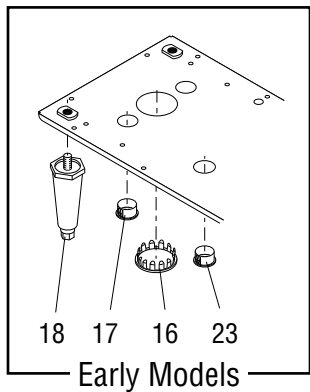
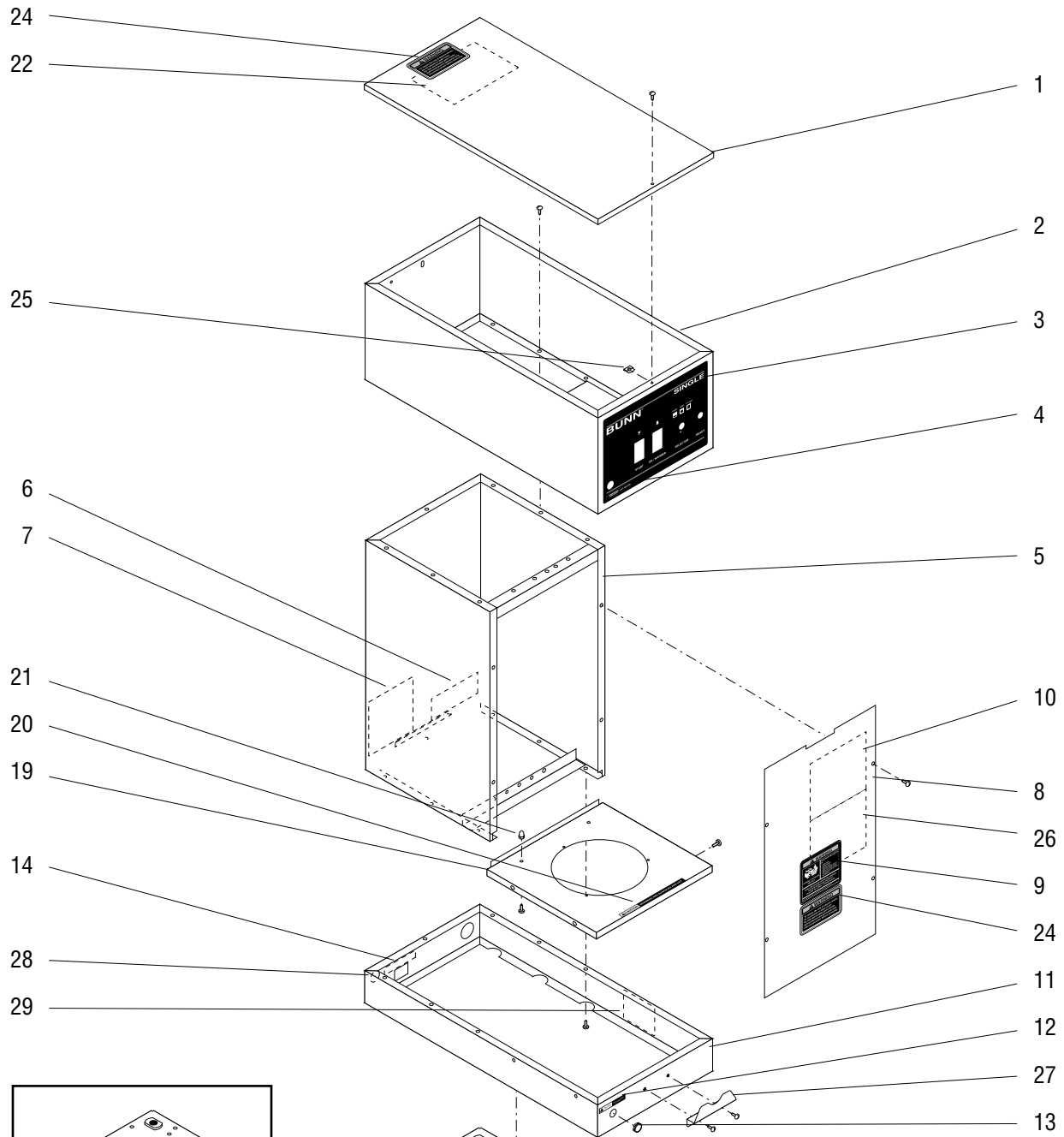
**THE BUYER'S REMEDY AGAINST BUNN FOR THE BREACH OF ANY OBLIGATION ARISING OUT OF THE SALE OF THIS EQUIPMENT, WHETHER DERIVED FROM WARRANTY OR OTHERWISE, SHALL BE LIMITED, AT BUNN'S SOLE OPTION AS SPECIFIED HEREIN, TO REPAIR, REPLACEMENT OR REFUND.**

In no event shall BUNN be liable for any other damage or loss, including, but not limited to, lost profits, lost sales, loss of use of equipment, claims of Buyer's customers, cost of capital, cost of down time, cost of substitute equipment, facilities or services, or any other special, incidental or consequential damages.

392, A Partner You Can Count On, Air Infusion, AutoPOD, AXIOM, BrewLOGIC, BrewMETER, Brew Better Not Bitter, BrewWISE, BrewWIZARD, BUNN Espresso, BUNN Family Gourmet, BUNN Gourmet, BUNN Pour-O-Matic, BUNN, BUNN with the stylized red line, BUNNlink, Bunn-O-Matic, Bunn-O-Matic, BUNNserve, BUNNSERVE with the stylized wrench design, Cool Froth, DBC, Dr. Brew stylized Dr. design, Dual, Easy Pour, EasyClear, EasyGard, FlavorGard, Gourmet Ice, Gourmet Juice, High Intensity, iMIX, Infusion Series, Intellisteam, My Café, Phase Brew, PowerLogic, Quality Beverage Equipment Worldwide, Respect Earth, Respect Earth with the stylized leaf and coffee cherry design, Safety-Fresh, savemycoffee.com, Scale-Pro, Silver Series, Single, Smart Funnel, Smart Hopper, SmartWAVE, Soft Heat, SplashGard, The Mark of Quality in Beverage Equipment Worldwide, ThermoFresh, Titan, trifacta, TRIFECTA (stylized logo), Velocity Brew, Air Brew, Beverage Bar Creator, Beverage Profit Calculator, Brew better, not bitter., Build-A-Drink, BUNNSource, Coffee At Its Best, Cyclonic Heating System, Daypart, Digital Brewer Control, Element, Milk Texturing Fusion, Nothing Brews Like a BUNN, Picture Prompted Cleaning, Pouring Profits, Signature Series, Sure Tamp, Tea At Its Best, The Horizontal Red Line, Ultra are either trademarks or registered trademarks of Bunn-O-Matic Corporation. The commercial trifacta® brewer housing configuration is a trademark of Bunn-O-Matic Corporation.

# TABLE OF CONTENTS

TITLE	PAGE NO.
Base - Trunk - Hood - Covers & Panels .....	4
Digital Brewer Control Assembly .....	16
Dispense Valve and Sprayhead .....	30
Electrical Controls & Ready Light .....	34
Faucet - Upper & Lower .....	32
Funnels .....	40
Inlet Valve & Line .....	26
Numerical Index .....	42
Strainer/Flow Control - Solenoid & Lines .....	24
Tank and Mounting Brackets .....	22
Tank Heater & Overflow Protection Devices .....	18
Timer & Electronic Control .....	12
Timer & Mechanical Thermostat .....	8
Triple Set Timer & Electronic Control .....	14
Triple Set Timer & Mechanical Thermostat .....	10
Warmer Assembly .....	38
Water By-Pass .....	28



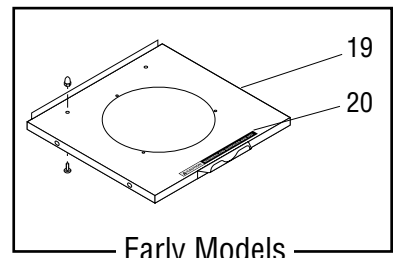
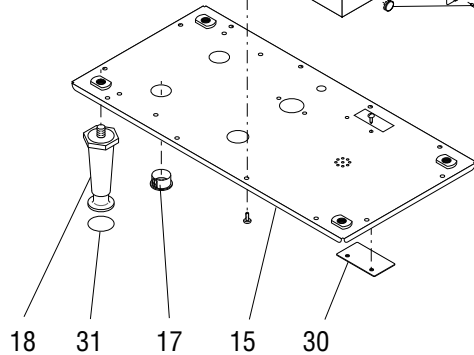
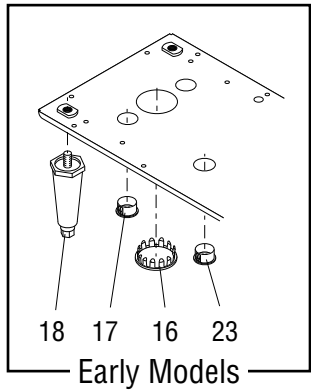
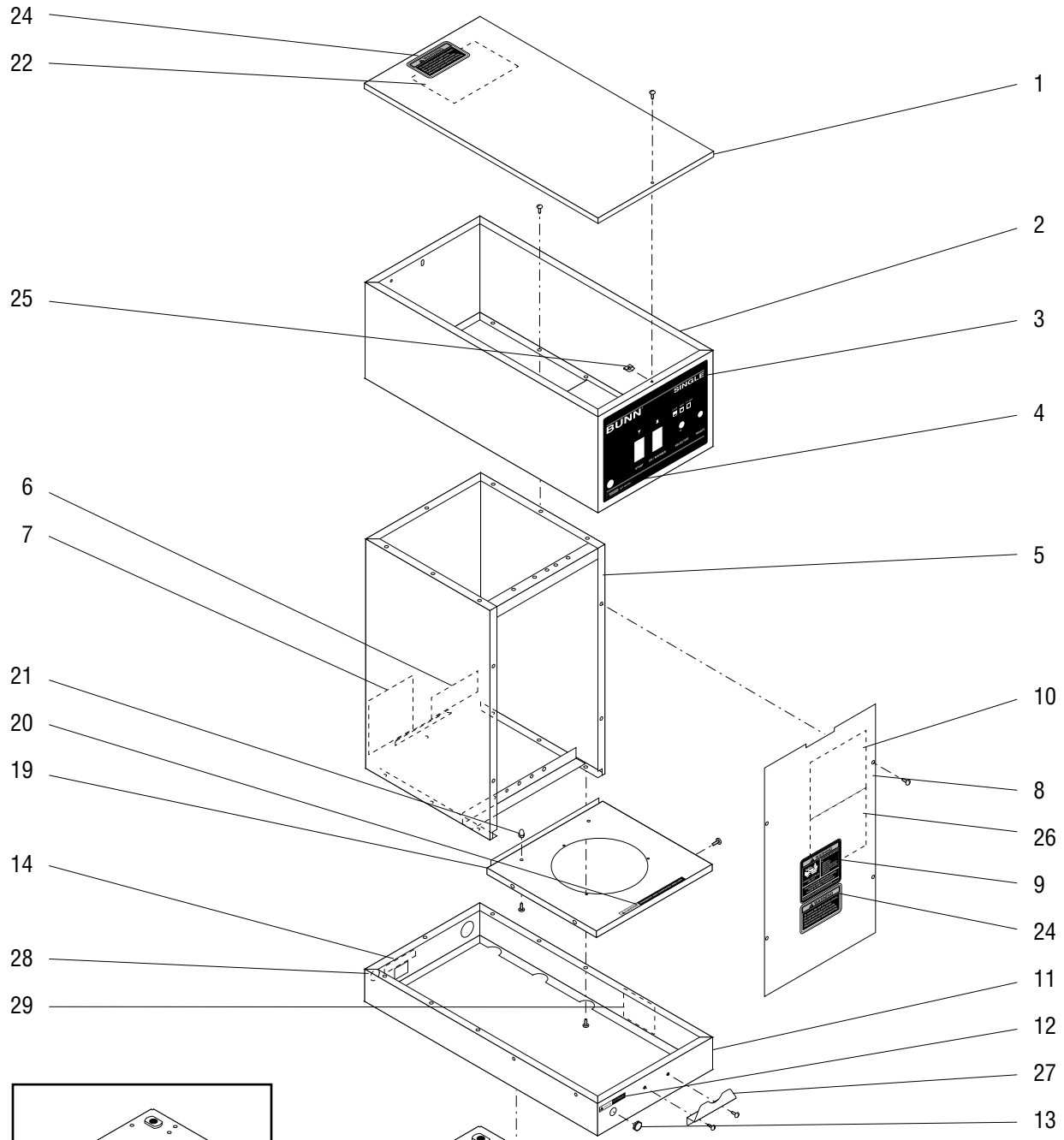
Early Models

## BASE - TRUNK - HOOD - COVERS & PANELS

ITEM	PART NO.	QTY.	DESCRIPTION
1	25766.0000	1	Cover, Top (Includes item 22 & 24) (Shown)
	25766.0001	1	Cover, Top - Blk (Includes items 22 & 24)
	25756.0000	1	Cover, Top (Includes item 22 & 24) (Models with DBC)
	02336.0000	1	Screw, Truss Head #4-40 x .375"
	02336.0002	1	Screw, Truss Head, Blk #4-40 x .375"
2	23417.0000	1	Hood W/Decals (W/O Faucet)
	23417.0001	1	Hood W/Decals (W/O Faucet & W/O Selector Switch)
	23417.0002	1	Hood W/Decals (W/Upper Faucet & Selector Switch)
	23417.0005	1	Hood W/Decals - Blk (W/Upper Faucet & Selector Switch)
	23417.0003	1	Hood W/Decals (W/Upper Faucet - W/O Selector Switch)
	02308.0000	7	Screw, Pan Head #8-32 x .25"
3	23024.0000	1	Decal, Control Panel (W/O Faucet)
	23024.0001	1	Decal, Control Panel (W/O Faucet & W/O Selector Switch)
	23024.0002	1	Decal, Control Panel (W/Upper Faucet & Selector Switch)
	23024.0003	1	Decal, Control Panel (W/Upper Faucet - W/O Selector Switch)
4	20201.5600	1	Decal, Caution Hot Water (Early Models only)
5	23418.0000	1	Trunk W/Decals (Includes items 6 & 7)
	23418.0003	1	Trunk W/Decals - Blk (Includes items 6 & 7)
6	00656.0001	1	Decal, Comply to Plumbing Code
7	00831.0000	1	Decal, Warning - Electrical
8	27099.0000	1	Panel W/Decals, Trunk (Brewers W/Mech. Thermostat) (Includes items 9, 10 & 24)
	27099.0004	1	Panel W/Decals, Trunk - Blk (Brewers W/Mech. Thermostat) (Incl. items 9, 10 & 24)
	27099.0001	1	Panel W/Decals, Trunk (Brewers W/Electronic Control) (Includes items 9, 10 & 24)
	27099.0002	1	Panel W/Decals, Trunk (200/230V 2 Wire Brewers) (Includes items 9 & 24)
	23416.0003	1	Panel W/Decals, Trunk (120V & 120/240V Brewers W/DBC) (Incl. items 9, 10 & 24)
	23416.0004	1	Panel W/Decals, Trunk (200/240V Brewers W/DBC) (Includes items 9, 10 & 24)
	01382.0003	4	Screw, Truss Head #6-32 x .375"
	01382.0007	4	Screw, Truss Head, Blk #6-32 x .375"
9	00658.0000	1	Decal, Caution - Decanter/Funnel
10	26885.0001	1	Schematic (120V & 120/240V Brewers W/Mechanical Thermostat)
	26885.0000	1	Schematic (120V & 120/240V Brewers W/Electronic Control)
	26885.0006	1	Schematic (230V Brewers)
	10851.0000	1	Schematic (120V & 120/240V Brewers W/DBC)
	10853.0000*	1	Schematic (200/240V Brewers W/DBC)
11	23419.0000	1	Base W/Decals SST (Brewers W/Rear Receptacle) (Includes items 12, 13 & 14)
	23419.0002	1	Base W/Decals BLK (Brewers W/Rear Receptacle) (Includes items 112, 13 & 14)
	23419.0001	1	Base W/Decal SST (Includes item 12 & 13) (Early models)
	23419.0004	1	Base W/Decal SST (Includes item 12 & 13)(Late models)
	28592.1006	1	Base W/Decal SST (230V Brewers) (Includes item 12 & 28)
	02308.0000	7	Screw, Pan Head #8-32 x .25"
12	20201.5600	1	Decal, Caution Hot Water
13	00619.0007	1	Plug, Hole .50" Dia. (Not used on Brewers W/Lower Faucet)
14	02822.0000	1	Decal, Auxiliary Outlet (Brewers W/Rear Receptacle)

Includes item 3

(Continued)

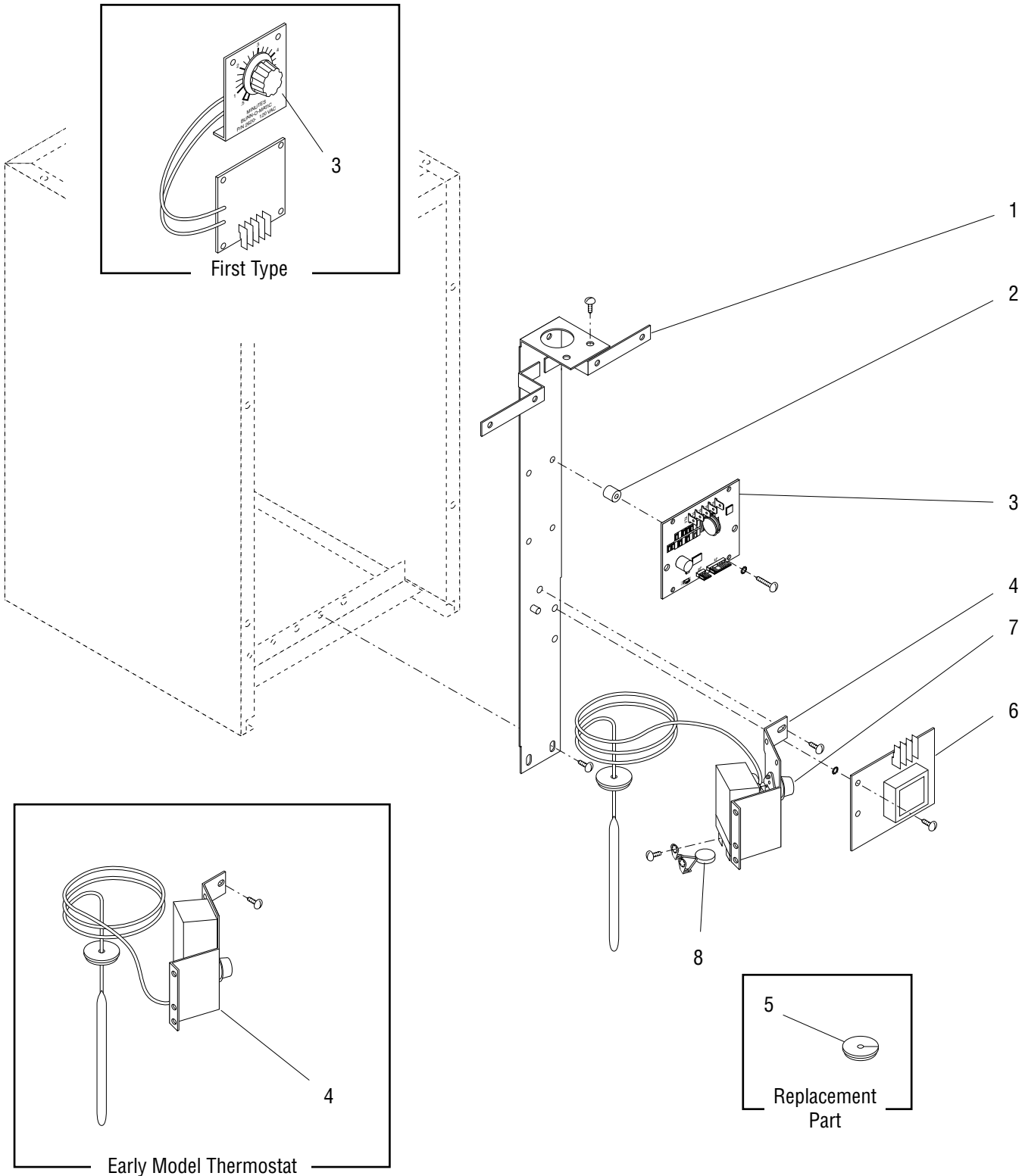


## BASE - TRUNK - HOOD - COVERS & PANELS

ITEM	PART NO.	QTY.	DESCRIPTION	
15	22979.0000	1	Cover, Bottom SST	] Models with Inlet Valve mounted in Hood
	22979.0005	1	Cover, Bottom SST (Models with Main Power Switch)	
	22979.0006	1	Cover, Bottom SST	] Models with Inlet Valve mounted in Base
	22979.0007	1	Cover, Bottom SST (Models with Main Power Switch)	
	22979.0001	1	Cover, Bottom Blk	
		02308.0000	12	Pan Head #8-32 x .375"
16	00619.0008	1	Plug, Hole 2.0" Dia. (Early models)	
17	03011.0000	3	Plug, Vent 1.0" Dia.	
18	26528.0000	4	Leg, Adj BLK-FLG (See item 32)	
	00502.0000	4	Leg, Adj NKL-FLG (See item 32)	
	03996.0000	4	Pad, Anti Skid	
19	23440.0000	1	Warmer Panel W/Decal (Includes item 20)	] Early models
	23440.0001	1	Warmer Panel W/Deca - Blk (Includes item 20)	
	21511.1004	1	Warmer Panel W/Decal (Includes item 20) (Late models)	
	01382.0003	4	Screw, Truss Head #6-32 x .375"	
	01382.0007	4	Screw, Truss Head, Blk #6-32 x .375"	
20	12364.0000	1	Decal, Caution-Warmers are Hot	
21	02324.0000	2	Nut, Acorn #8-32	] Early models
	01311.0000	2	Screw, Truss Head #8-32 x .25"	
22	25151.0000	1	Shield, Insulator	
23	00619.0005	1	Plug, Hole 1.06" Dia. (Early models)	
24	37881.0000	2	Decal, Warning - No Serviceable Parts	
25	00916.0000	1	Clip, J-Type #4-40	
26	32540.0000	1	Decal, Digital Timer Setting	
27	21104.0003	1	Server Stop	] Late models
	01347.0000	2	Screw, Truss Head #6-32 x .375"	
28	00824.0000	1	Decal, Ground	
29	39803.0000	1	Decal, Main Switch (Models with Main Power Switch only)	
30	38820.0001	1	Plate, Switch Hole Cover	
	01347.0000	2	Screw, Truss Head #6-32 x .375"	
31	03996.0000	4	Pad, Anti-Skid - Rubber 1.25" Dia.	
	03993.0000	4	Pad, Anti-Skid - Rubber .70" Dia.	
32	13255.0002	-	Kit, Leg 4.0" Nickel Adjustable (Includes items 18 & 31)	
	13255.0001	-	Kit, Leg 4.0" Black Plastic Adjustable (Includes items 18 & 31)	

7

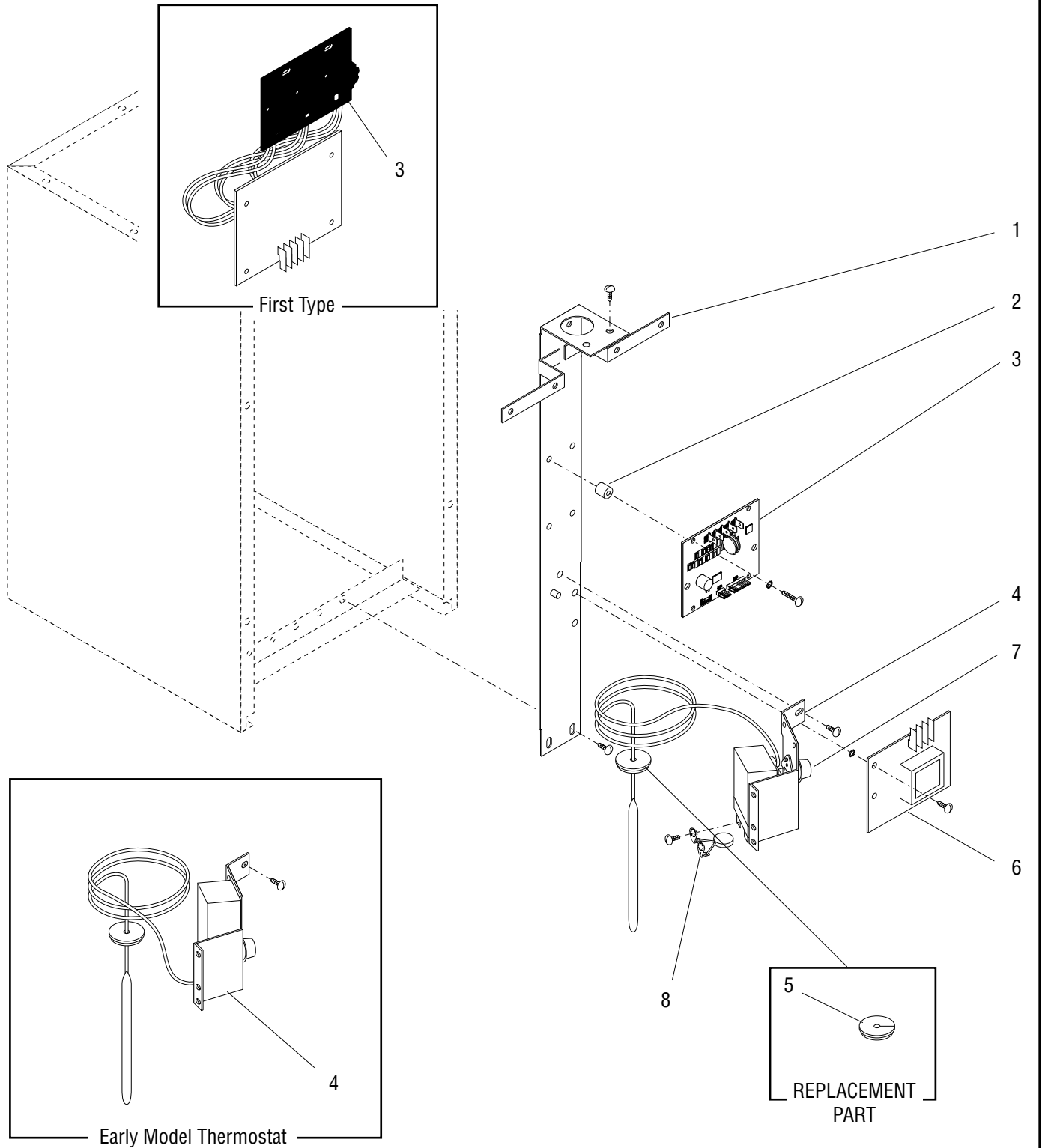
\* Indicates the part number listed is for reference only. See DESCRIPTION for possible service replacement.





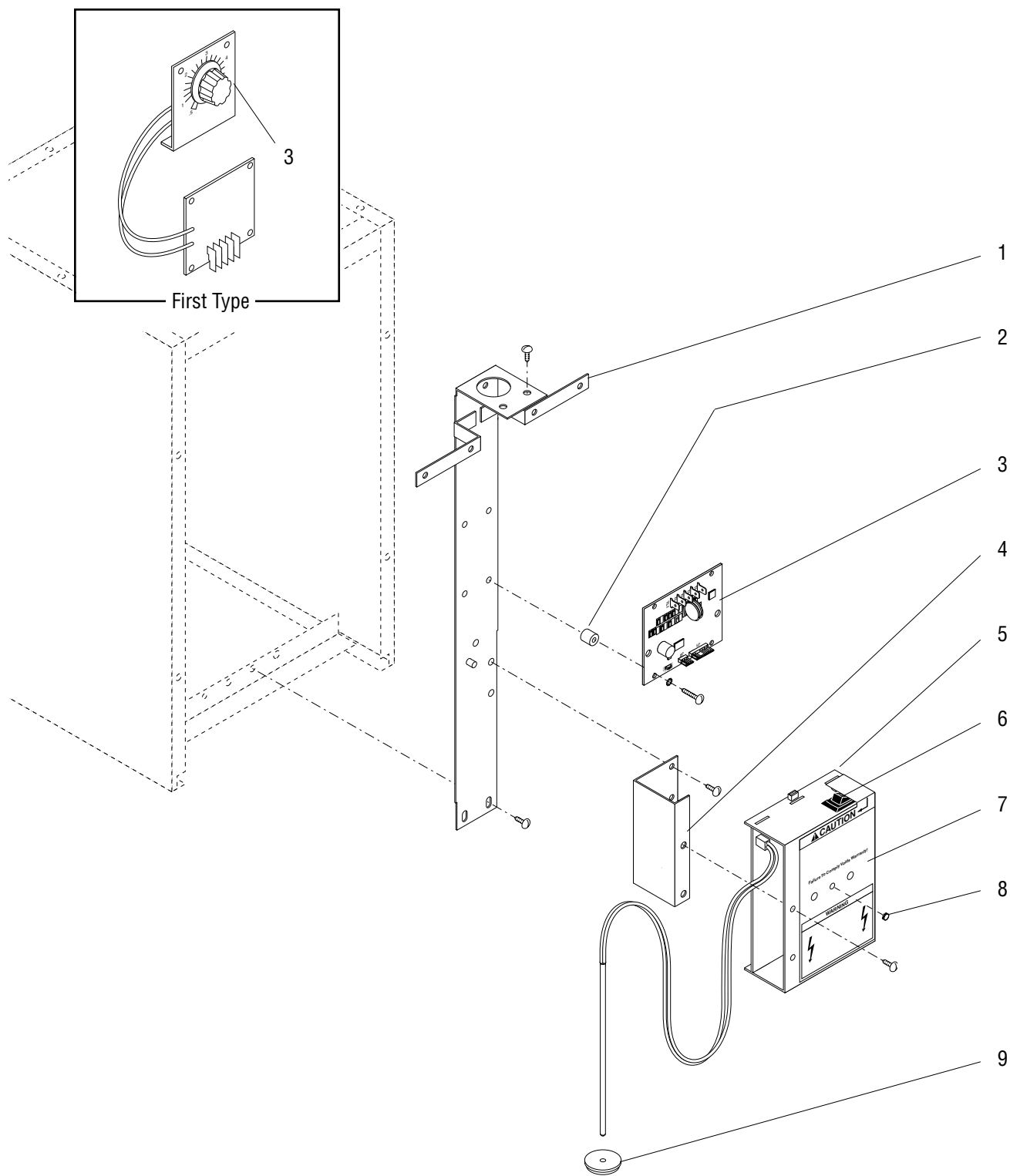
## SINGLE SET TIMER & MECHANICAL THERMOSTAT

ITEM	PART NO.	QTY.	DESCRIPTION
1	20948.0001	1	Bracket, Component Mounting
	02308.0000	4	Screw, Pan Head #8-32 x .375"
2	01533.0000	2	Spacer, Nylon .375"
3	-----	1	Timer, 8 Min. 120V (Shown) (No Longer Available. Order Item 9)
	-----	1	Timer, 8 Min. 240V (No Longer Available. Order Item 10)
	32400.0002	1	Timer, Digital 120V (Second Type)
	32400.0003	1	Timer, Digital 240V ( Second Type)
	01347.0000	2	Screw, Truss Head #6-32 x .375" (Not used with Digital Timer)
	01510.0000	2	Lockwasher, External Tooth #6
	01388.0000	2	Screw, Truss Head #6-32 x .75"
	12919.0008	1	Cap, Terminal (Not illustrated)
4	04314.0007	1	Thermostat Kit (Includes item 5, 7 & 8) (Late Models) (Also replaces early model thermostat)
	02308.0000	1	Screw, Pan Head #8-32 x .375" (Mounting)
	20762.0000	2	Screw, Binding Head #8-32 x .25" (Terminal Screws)
5	07073.0001	1	Grommet, Thermostat
6	07074.1033	1	Control Board, Level (120V)
	07074.1028	1	Control Board, Level (230V)
	02308.0000	2	Screw, Pan Head #8-32 x .375"
	01511.0000	2	Lockwasher, External Tooth #8
7	00720.0000	1	Knob, Thermostat
8	28377.0000	1	Noise Suppressor (Not used with Digital Timer)
9	32400.0000	1	Timer Kit, Digital 120V (with Adapter)
10	32400.0001	1	Timer Kit, Digital 240V (with Adapter)



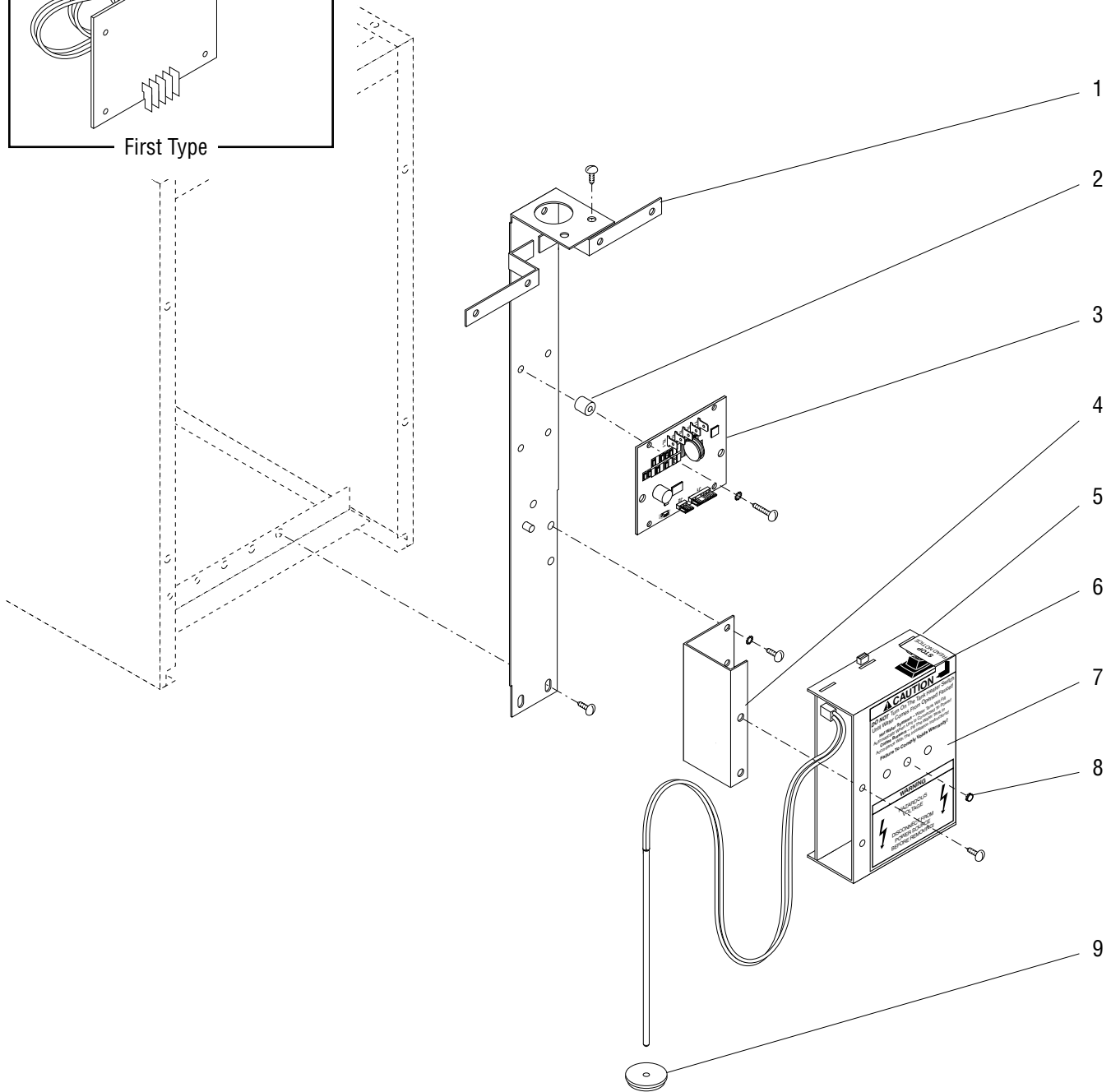
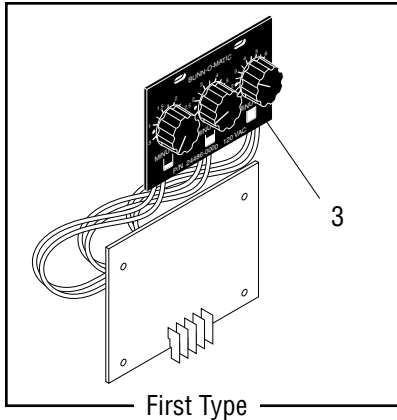
## TRIPLE SET TIMER & MECHANICAL THERMOSTAT

ITEM	PART NO.	QTY.	DESCRIPTION
1	20948.0001	1	Bracket, Component Mounting
	02308.0000	4	Screw, Pan Head #8-32 x .375"
2	01533.0000	2	Spacer, Nylon .375"
3	-----	1	Timer, 8 Min. (120/208V & 120/240V Models)(No Longer Available. Order Item 9)
	-----	1	Timer, 8 Min. (200V & 240V Models) (No Longer Available. Order Item 10)
	32400.0002	1	Timer, Digital 120V
	32400.0003	1	Timer, Digital 240V
	01347.0000	2	Screw, Truss Head #6-32 x .375" (Not used with Digital Timer)
	01510.0000	2	Lockwasher, External Tooth #6
	01388.0000	2	Screw, Truss Head #6-32 x .75"
4	04314.0007	1	Thermostat Kit (Includes item 5 & 7) (Late Models) (Also replaces early model thermostat)
	02308.0000	2	Screw, Pan Head #8-32 x .375"
	20762.0000	2	Screw, Binding Head #8-32 x .25" (Terminal Screws)
5	07073.0000	1	Grommet, Thermostat
6	07074.1033	1	Control Board, Level (120/208V & 120/240V Models)
	07074.1028	1	Control Board, Level (200V, 230V & 240V Models)
	02308.0000	1	Screw, Pan Head #8-32 x .375"
	01511.0000	2	Lockwasher, External Tooth #8
7	00720.0000	1	Knob, Thermostat
8	28377.0000	1	Noise Suppressor (Not used with Digital Timer)
9	32400.0000	1	Timer Kit, Digital 120V (with Adapter)
10	32400.0001	1	Timer Kit, Digital 240V (with Adapter)



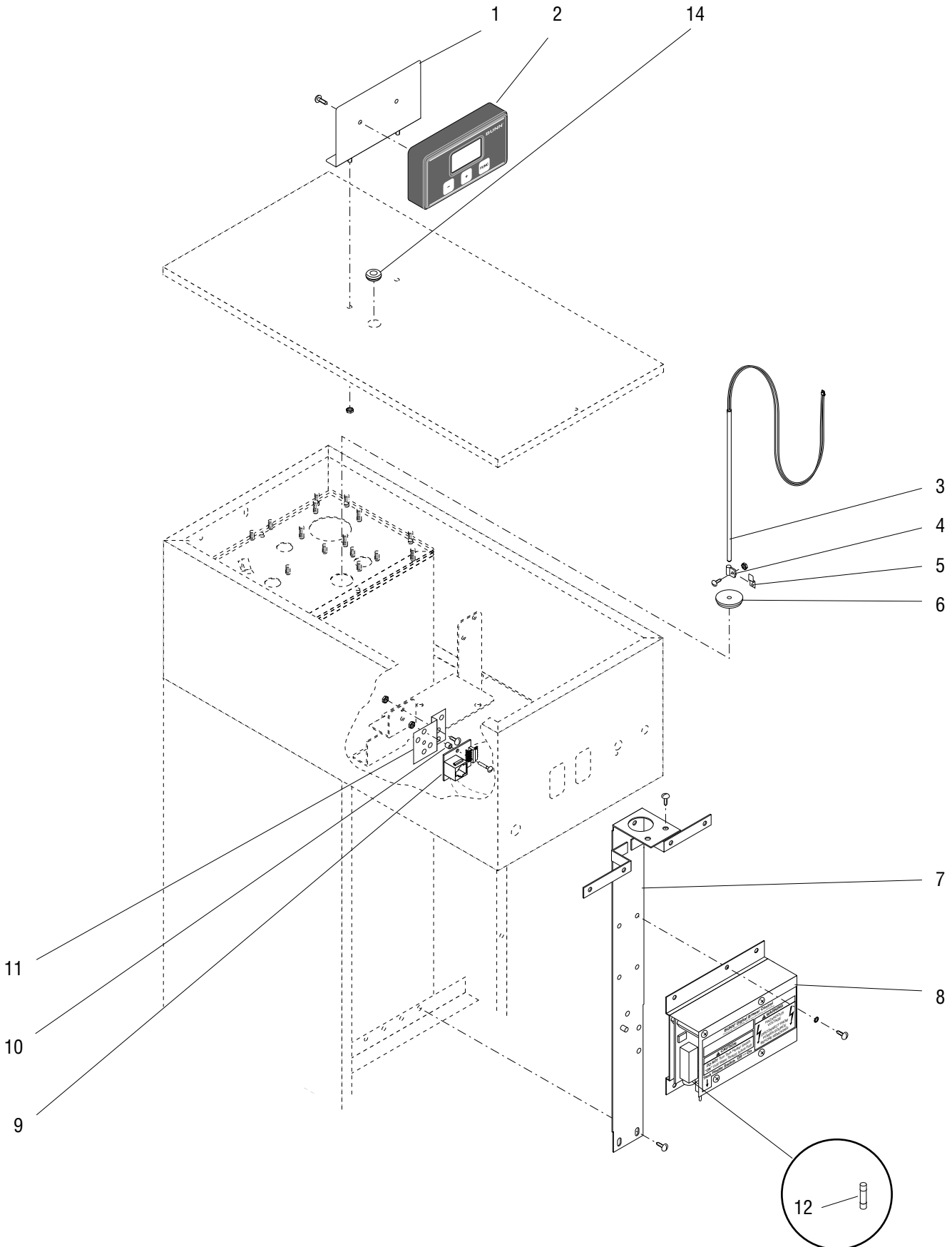
## SINGLE SET TIMER & ELECTRONIC CONTROL

ITEM	PART NO.	QTY.	DESCRIPTION
1	20948.0001	1	Bracket, Component Mounting
	02308.0000	4	Screw, Pan Head #8-32 x .375"
2	01533.0000	2	Spacer, Nylon .375"
3	-----	1	Timer, 8 Min. (120/208V & 120/240V Models)(No Longer Available. Order Item 10)
	-----	1	Timer, 8 Min. (200V & 240V Models) (No Longer Available. Order Item 11)
	32400.0002	1	Timer, Digital 120V
	32400.0003	1	Timer, Digital 240V
	01347.0000	2	Screw, Truss Head #6-32 x .375" (Not used with Digital Timer)
	01510.0000	2	Lockwasher, External Tooth #6
	01388.0000	2	Screw, Truss Head #6-32 x .75"
4	21122.0000*	1	Bracket, Electronic Control Mounting
	02308.0000	2	Screw, Pan Head #8-32 x .375"
5	12560.1019	1	Control Assy, Electronic 120V
	12560.1018	1	Control Assy, Electronic 200/240V
	02308.0000	2	Screw, Pan Head #8-32 x .375"
			} Includes items 6 thru 9
6	04786.0002	1	Switch, On/Off
7	12559.0000	1	Decal, Caution/Warning
8	00619.0002	1	Plug, Hole .250" Dia.
9	12570.0000	1	Grommet, Temp. Sensor
10	32400.0000	1	Timer Kit, Digital 120V (with Adapter)
11	32400.0001	1	Timer Kit, Digital 240V (with Adapter)



## TRIPLE SET TIMER & ELECTRONIC CONTROL

ITEM	PART NO.	QTY.	DESCRIPTION
1	20948.0001	1	Bracket, Component Mounting
	02308.0000	4	Screw, Pan Head #8-32 x .375"
2	01533.0000	2	Spacer, Nylon .375"
3	-----	1	Timer, Triple (120/208V & 120/240V Models)(No Longer Available. Order Item 10)
	-----	1	Timer, Triple (200V & 240V Models) (No Longer Available. Order Item 11)
	32400.0002	1	Timer, Digital 120V
	32400.0003	1	Timer, Digital 240V
	01347.0000	2	Screw, Truss Head #6-32 x .375" (Not used with Digital Timer)
	01510.0000	2	Lockwasher, External Tooth #6
	01388.0000	2	Screw, Truss Head #6-32 x .75"
4	21122.0000*	1	Bracket, Electronic Control Mounting
	02308.0000	2	Screw, Pan Head #8-32 x .375"
5	12560.1019	1	Control Assy, Electronic 120V
	12560.1018	1	Control Assy, Electronic 200/240V
	02308.0000	2	Screw, Pan Head #8-32 x .375"
			} Includes items 6 thru 9
6	04786.0002	1	Switch, On/Off
7	12559.0000	1	Decal, Caution/Warning
8	00619.0002	1	Plug, Hole .250" Dia.
9	12570.0000	1	Grommet, Temp. Sensor
10	32400.0000	1	Timer Kit, Digital 120V (with Adapter)
11	32400.0001	1	Timer Kit, Digital 240V (with Adapter)



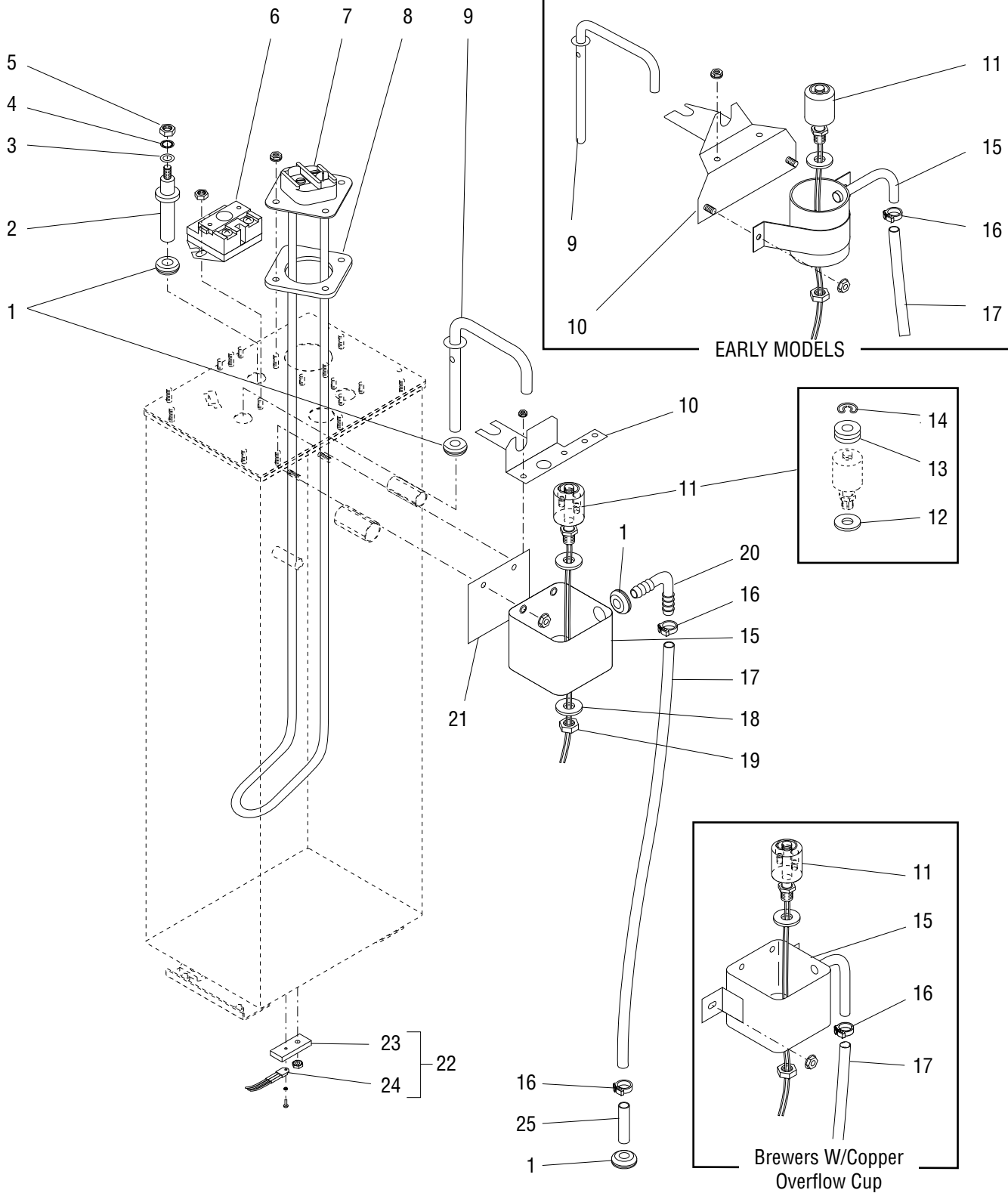
P1086



## DIGITAL BREWER CONTROL ASSMBLY

ITEM	PART NO.	QTY.	DESCRIPTION
1	25648.0000*	1	Bracket, Mounting
	00970.0000	2	Nut, Keps #8-32
2	25654.0000	1	DBC Display Assembly
	02328.0003	2	Screw, Pan Head #6-32 x .312"
3	12568.0003	1	Sensor, Temperature
4	26263.0000	1	Clamp, Steel .12"/.19"
	01382.0000	1	Screw, Truss Head #6-32 x .375"
	00973.0000	1	Nut, Keps #6-32
5	01667.0000	1	Terminal .25
6	12570.0000	1	Grommet, Silicone - Temperature Sensor
7	20948.0001	1	Bracket, Component Mounting
	02308.0000	4	Screw, Pan Head #8-32 x .375"
8	25468.0002	1	DBC Power Board Assembly (Includes item 12)
	02308.0000	2	Screw, Pan Head #8-32 x .375"
9	25513.0000	1	Receptacle, Display
	01388.0000	2	Screw, Truss Head #6-32 x .75"
	00973.0000	2	Nut, Keps #6-32
10	01533.0000	2	Spacer, Nylon .375"
11	07441.0000	1	Bracket, Mounting
	01347.0000	2	Screw, Truss #6-32 x .375"
	00973.0000	2	Nut, Keps #6-32
12	27035.0000	1	Fuse, AGC 5 AMP 250V
13	25662.0000	1	Cord Assembly, Display 12.0" (Not illustrated)
14	07075.0000	1	Grommet, Silicone .437" I.D.

\* Indicates the part number listed is for reference only. See DESCRIPTION for possible service replacement.

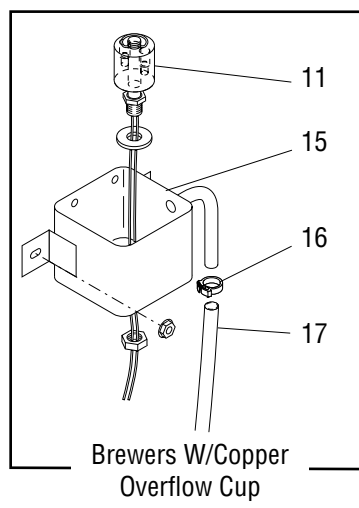
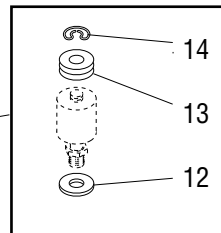
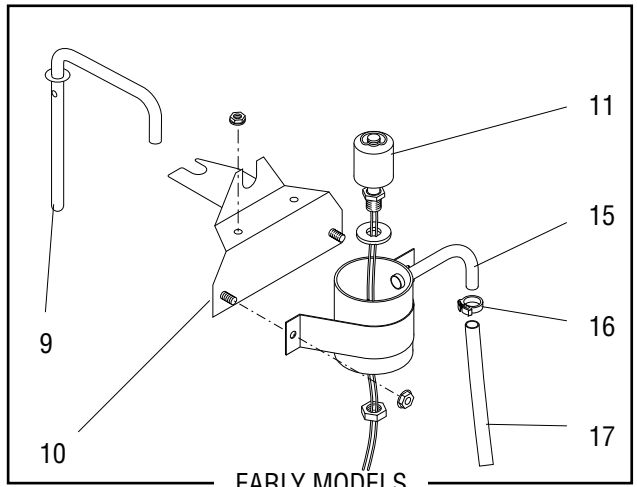
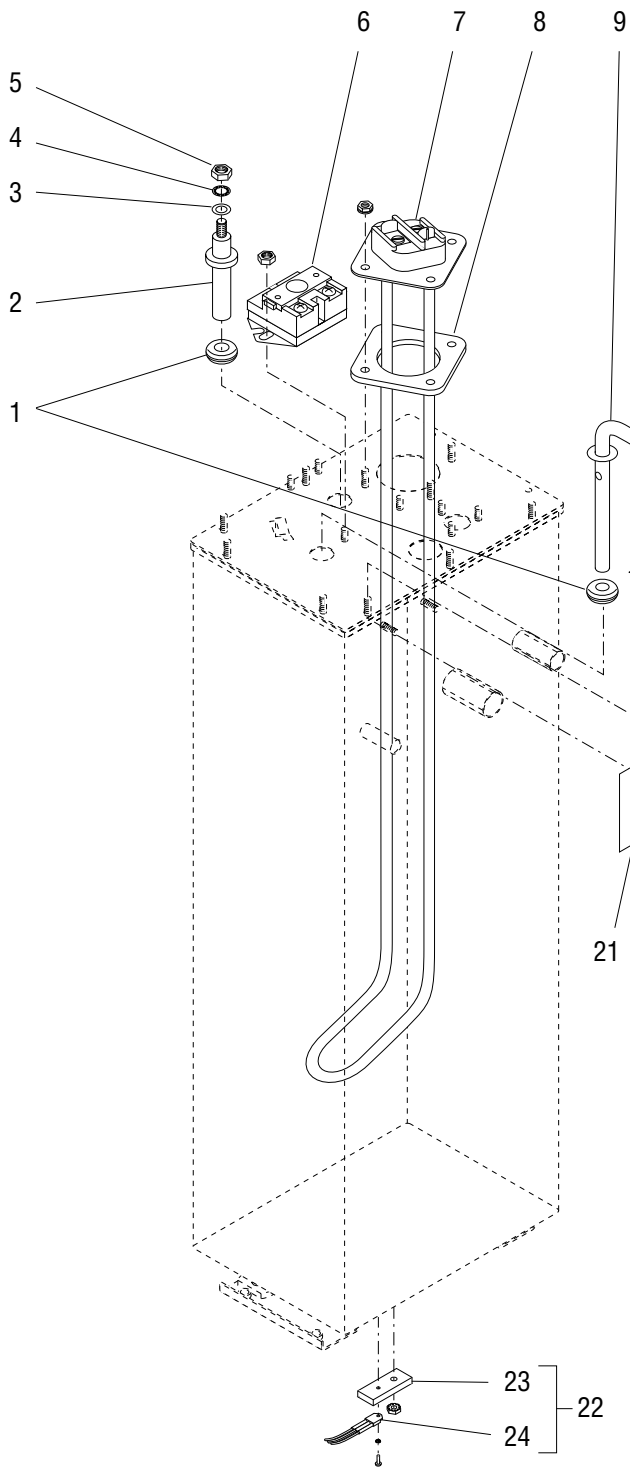


## TANK HEATER & OVERFLOW DEVICES

ITEM	PART NO.	QTY.	DESCRIPTION	
1	02536.0000	4	Grommet, .375" I.D.	
2	20936.1000	1	Probe Kit (Includes items 3, 4 & 5)	
3	01501.0000	1	Washer .164" I.D. x .375" O.D.	
4	20203.0100	1	Lockwasher, Internal Tooth #8	
5	00908.0000	1	Nut, Hex #8-32	
6	23717.0003	1	Thermostat, Limit	
	00908.0000	2	Nut, Hex #8-32	
7	12524.1000	1	Tank Heater, 1800W @ 120V	Includes item 8
	20922.1000	1	Tank Heater, 3300W @ 240V	
	20922.1003	1	Tank Heater, 3700W @ 208V	
	12322.1000	1	Tank Heater, 4000W @ 240V	
	27349.1004	1	Tank Heater, 4000W @ 208V	
	12305.1000	1	Tank Heater, 3700W @ 200V	
	00908.0000	4	Nut, Hex #8-32	
8	12398.0002	1	Gasket, Tank Heater	
9	-----	1	Tube Assy, Vent (First type. Not available order item 28)	
	26622.0001	1	Tube Assy, Vent (Second type)	
10	-----	1	Bracket, Overflow Cup Mounting (First type. Not available order item 28)	
	27473.0000	1	Bracket, Overflow Cup Mounting (Second type)	
11	03803.0000	1	Switch Assy, Liquid Level 120V (Includes items 12, 13 & 14)	
	03803.0002	1	Switch Assy, Liquid Level 230V (Includes items 12, 13 & 14)	
12	03633.0000	2	Gasket, Float Switch (Only 1 used in this application)	
13	-----	3	Washer, Adjusting (DO NOT USE IN THIS APPLICATION)	
14	03807.0000	1	Clip, Spring	
15	-----	1	Overflow Cup Assy Copper (First type. Order item 28)	
	22728.0000	1	Overflow Cup Assy Copper (Second type) (Also replaces aluminum cup)	
	41259.1003	1	Kit, Overflow Cup (Aluminum) (Includes items 1,18, 20 & 21)	
	00971.0000	2	Nut, Keps #10-32	
16	12422.0000	2	Clamp, Hose .47"/.54" I.D.	
17	03236.0013*	1	Tube, Silicone .312" I.D. x 23.0" (Order item 27)	
18	04797.0000	1	Washer, Celcon .520" I.D. x 1.0" O.D.	
19	00946.0000	1	Nut, Hex .125" FPT	
20	41280.0001	1	Elbow,.375" Multi Barb	
21	41266.0000	1	Film, Insulating	
22	12527.0001	1	Triac/Heat Sink Assy (Includes items 23, 24 & 26) (Brewers with Electronic Control only)	Brewers with Electronic Control or DBC only
	12527.0008	1	Triac/Heat Sink Assy (Includes items 23, 24 & 26) (Brewers with DBC only)	
	00971.0000	1	Nut, Keps #10-32	
23	12561.0000	1	Heat Sink, Copper	

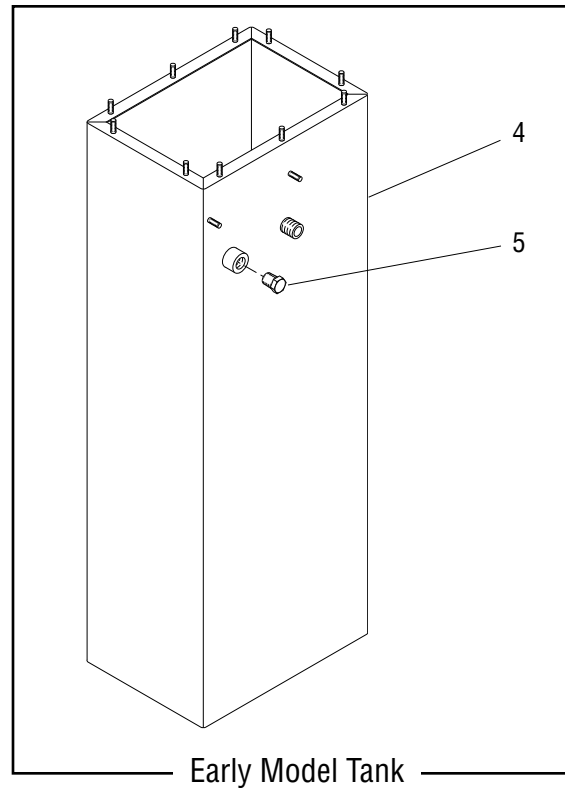
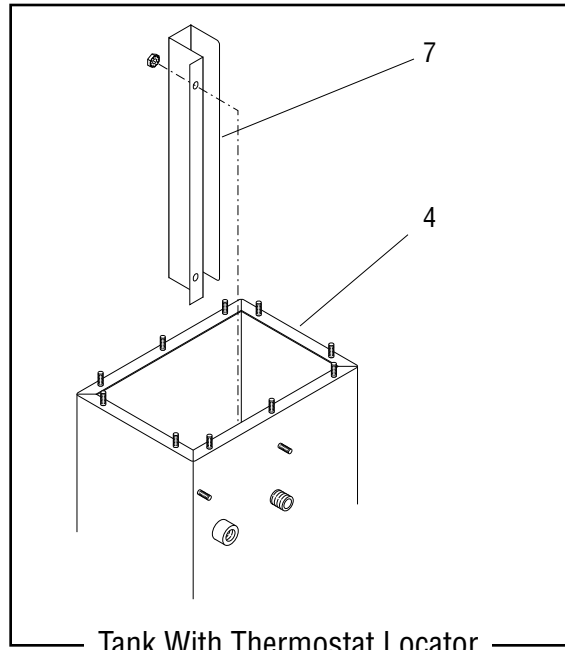
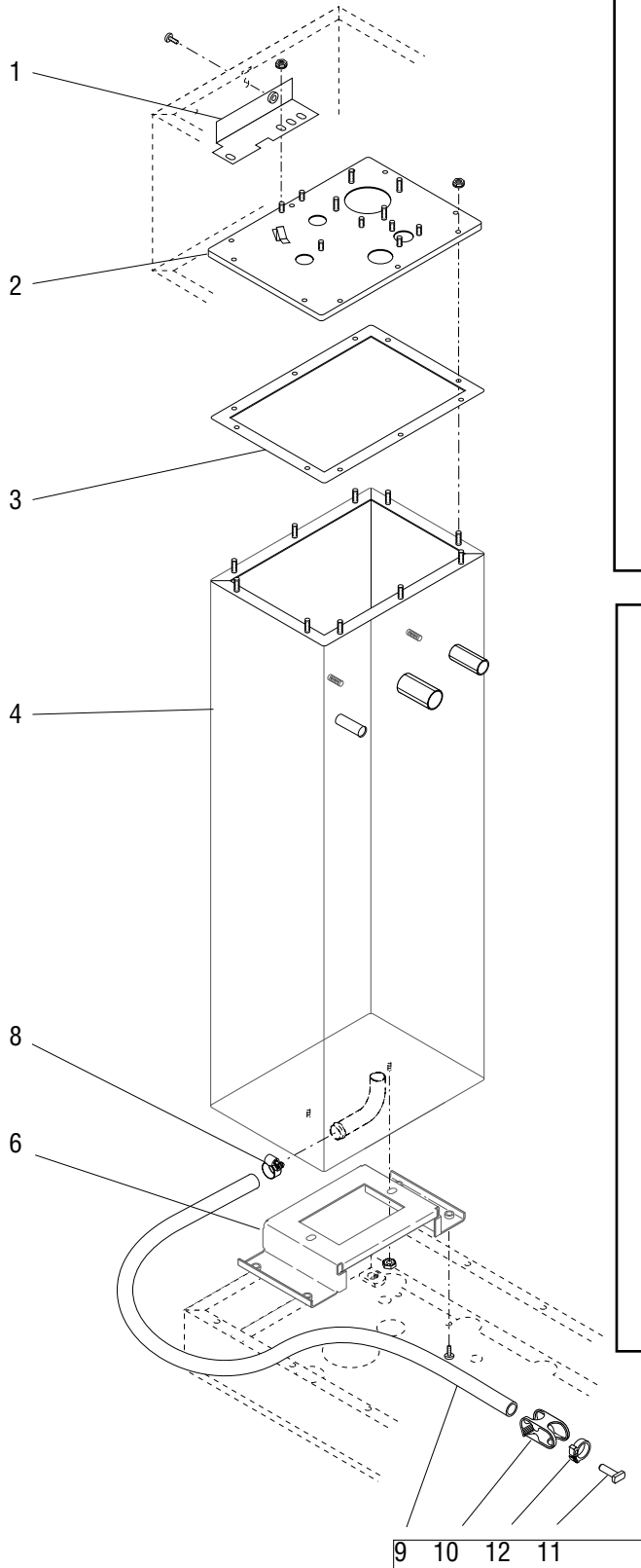
(continued)

\* Indicates the part number listed is for reference only. See DESCRIPTION for possible service replacement.



## TANK HEATER & OVERFLOW DEVICES

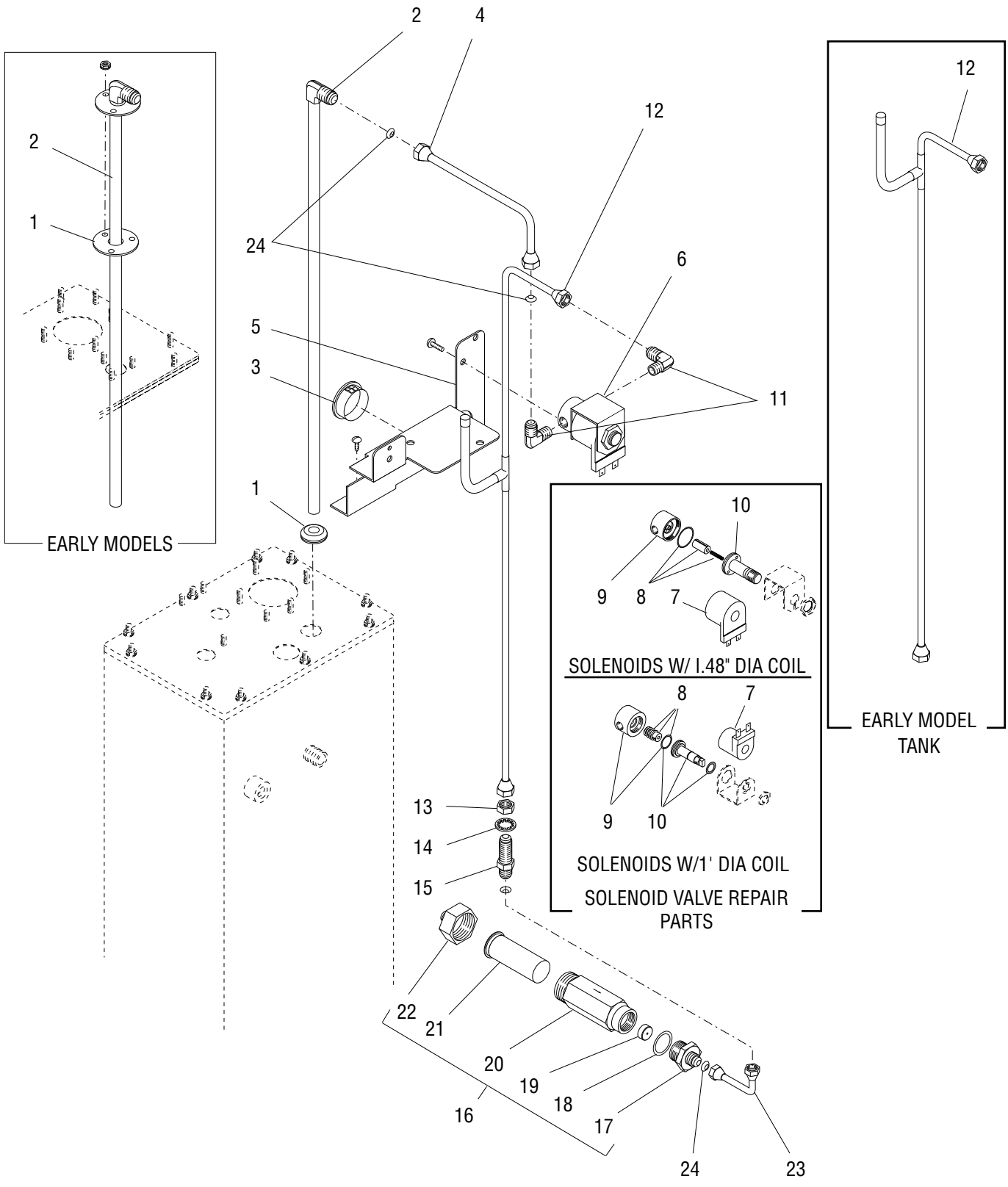
ITEM	PART NO.	QTY.	DESCRIPTION	
24	12565.0002	1	Triac Assy, 40 AMP (Brewers with Electronic Control)	} Brewers with Electronic Control or DBC only
	12565.0008	1	Triac Assy, 40 AMP (Brewers with DBC)	
	02328.0003	1	Screw, Pan Head #6-32 x .312"	
	01520.0000	1	Lockwasher, Split #6	
25	21801.0002	1	Tube	
26	M2522.1000	-	Heat Sink Compound	} Not Illustrated
27	03236.1001	-	Tube, Silicone .312" I.D. x 36.0"	
	03236.1003	-	Tube, Silicone .312" I.D. x 60.0"	
	03236.1002	-	Tube, Silicone .312" I.D. x 120.0"	
28	27461.0000	-	Kit, Square Overflow Cup	



## TANK AND MOUNTING BRACKETS

ITEM	PART NO.	QTY.	DESCRIPTION
1	-----	1	Bracket, Tank Support (Top) (Early models. Not available order 28909.0000)
	28909.0000	1	Bracket, Tank Support (Top) (Late models)
	02308.0000	1	Screw, Pan Head #8-32 x .375"
	00908.0000	2	Nut, Hex #8-32
2	22976.0000	1	Lid, Tank
	00908.0000	10	Nut, Hex #8-32
3	22978.0000	1	Gasket, Tank
4	23324.1000	1	Tank (Early models)
	22960.1004*	1	Tank W/Thermostat Locator
	22960.1008	1	Tank (Late models)
5	20201.6001	1	Plug, Pipe .25" NPT (Early model tank only. Not used with faucet models)
6	23193.0000	1	Bracket, Tank Mounting (Models without Tank Drain)
	37541.0000	1	Bracket, Tank Mounting (Models with Tank Drain)
	00971.0000	2	Nut, Keps #10-32
	02308.0000	4	Screw, Pan Head 8#-32 x .375"
7	36259.0000*	1	Bracket, Thermostat Locating
	00910.0000	2	Nut, Hex #10-32
8	29421.0000	1	Clamp, Hose-Worm Drive .625"/.75"
9	32591.1002	1	Tube, Silicone .50" I.D. x 36" LG
10	11630.0001	1	Clamp, Tubing Shut Off .75" O.D.
11	35086.0000	1	Plug, .50" I.D. Hose
12	12422.0009	1	Clamp, Hose .71"/.80" I.D.

\* Indicates the part number listed is for reference only. See DESCRIPTION for possible service replacement.

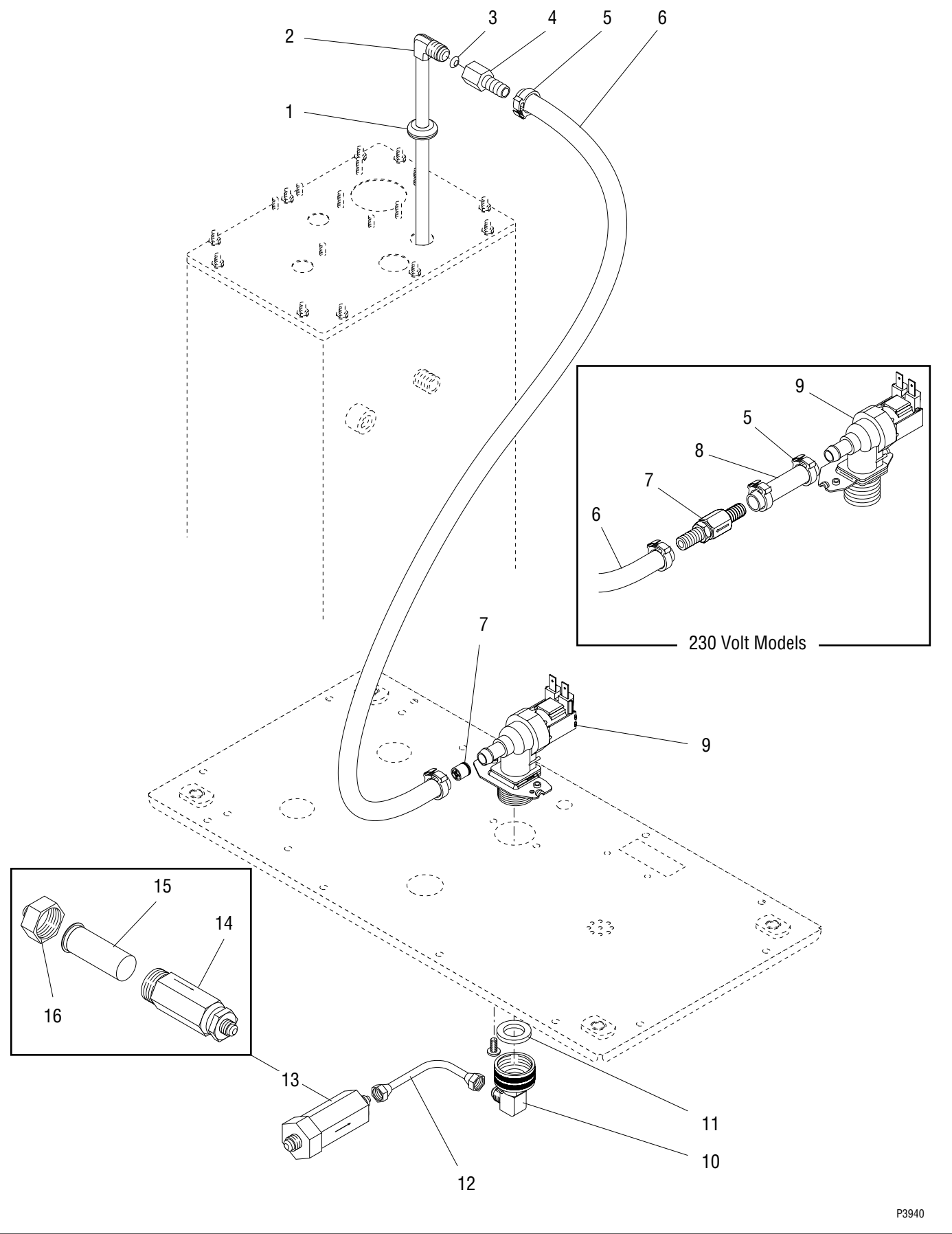




## STRAINER/FLOW CONTROL - SOLENOID AND LINES

ITEM	PART NO.	QTY.	DESCRIPTION
1	05515.0000	1	Gasket, Spayhead Tube (Early models)
	02536.0000	1	Grommet, Fill Tube (Late models)
2	22992.0001	1	Tube, Tank Fill (Early models)
	00908.0000	3	Nut, Hex #8-32
	20937.0000	1	Tube, Tank Fill (Late models)
3	01592.0001	1	Bushing, Snap 1.188" Dia. Hole (Early models)
4	21812.0007	1	Tube Assy, Solenoid to Tank (Includes Nuts)
5	23015.0001	1	Bracket, Upper Component
	02308.0000	3	Screw, Pan Head #8-32 x .375"
6	01085.0000	1	Solenoid Valve Assy, 120V - 1.48" Dia Coil (Without Inlet Screen)
	01085.1006	1	Solenoid Valve Assy, 120V - 1.48" Dia Coil (With Inlet Screen)
	01085.0002	1	Solenoid Valve Assy, 120V - 1" Dia Coil
	01975.0000	1	Solenoid Valve Assy, 240V - 1.48" Dia Coil (Without Inlet Screen)
	01085.1007	1	Solenoid Valve Assy, 240V - 1.48" Dia Coil (With Inlet Screen)
	21180.0000	1	Solenoid Valve Assy, 200V - 1.48" Dia Coil
	01327.0000	2	Screw, Pan Head #10-32 x .375"
	01502.0000	2	Lockwasher, Split #10
7	01101.0000	1	Solenoid Valve Coil, 120V - 1.48" Dia Coil
	28480.0000	1	Solenoid Valve Coil, 120V - 1" Dia Coil
	01100.0000	1	Solenoid Valve Coil, 240V - 1.48" Dia Coil
	21181.0000	1	Solenoid Valve Coil, 200V - 1.48" Dia Coil
8	01111.0000	1	Solenoid Valve Repair Kit - 1.48" Dia Coil (Includes Plunger, Seal and Spring)
	01111.0002	1	Solenoid Valve Repair Kit - 1" Dia Coil (Includes Plunger, Spring and O-ring)
9	01079.0000	1	Solenoid Valve Base - 1.48" Dia Coil (Without Screen)
	28479.0000	1	Solenoid Valve Base Kit - 1" Dia Coil (Includes O-ring)
10	01116.0000	1	Guide - 1.48" Dia Coil
	28481.0000	1	Guide - 1" Dia Coil
11	00400.0001	2	Elbow, Male .250" Flare x .125" MPT
12	25160.0000	1	Tube Assy, Bulkhead to Solenoid (Early model Tank)
	38342.0000	1	Tube Assy, Bulkhead to Solenoid (Late model Tank)
13	00463.0000	1	Nut, Hex .438" - 20
14	01532.0000	1	Lockwasher, Internal Tooth .438" I.D.
15	00459.0000	1	Bulkhead Fitting, .250" Flare
16	22300.0330	1	Strainer/Flow Control Assy (Includes items 17 thru 22)
	22300.0500	1	Strainer/Flow Control Assy (Includes items 17 thru 22)
17	01154.0000	1	Flow Control Outlet
18	01155.0000	1	Flow Control Gasket
19	20526.1330	1	Flow Washer/Gasket Set, .330 GPM (Includes item 18)
	20526.1500	1	Flow Washer/Gasket Set, .500 GPM (Includes item 18)
20	-----	1	Body (Not available order item 16)
21	23721.0000	1	Screen
22	22249.0000	1	End Cap
23	00310.0002	1	Tube Assy, Flow Control to Bulkhead (Includes Nuts)
24	24684.0000	4	Gasket, .25" Flare Copper

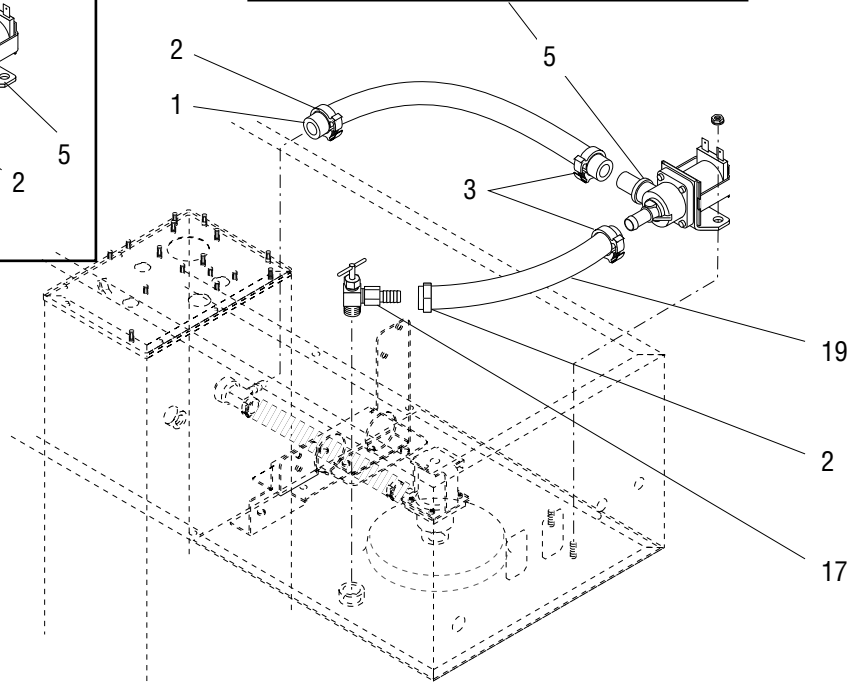
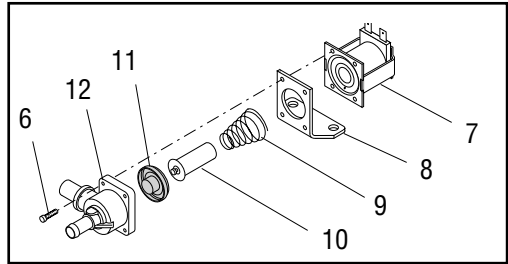
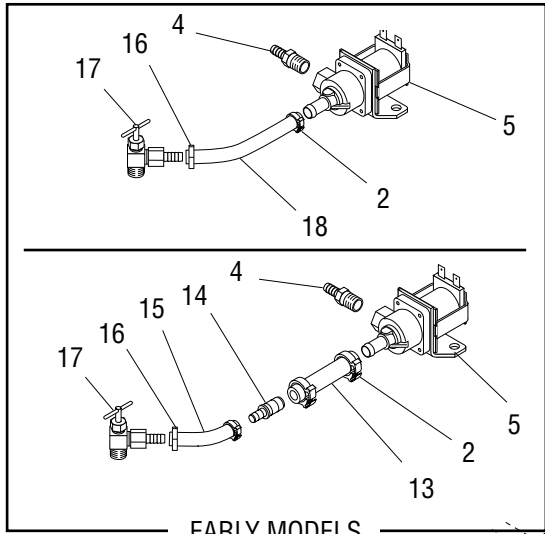
\* Indicates the part number listed is for reference only. See DESCRIPTION for possible service replacement.



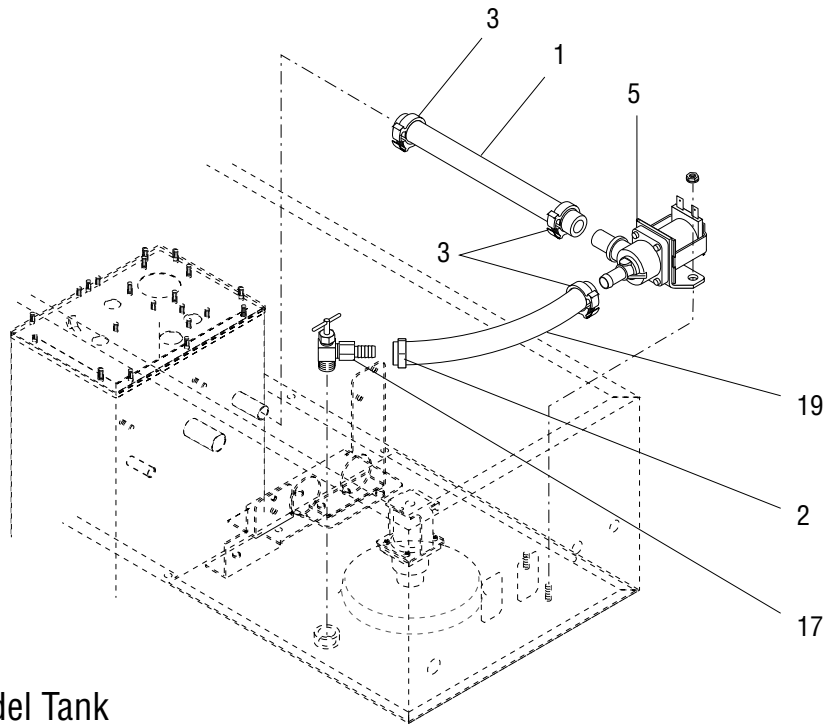
## INLET VALVE AND LINE

ITEM	PART NO.	QTY.	DESCRIPTION
1	02536.0000	1	Grommet, Fill Tube
2	20937.0000	1	Tube, Tank Fill
3	24684.0000	1	Gasket, .25" FLR
4	40187.0001	1	Adapter, Hose .25" Flare x .375" Barb
5	12422.0001	2	Clamp, Hose .59"/.66" I.D
6	20976.0085*	1	Tube, Silicone .375" I.D. x .625" O.D. x 22.75" (Order item 17)
7	36378.0001	1	Check Valve (Installed in item 6) (120V, 240V, 120/208V, 120/240V Models)
	40071.0001	1	Check Valve, .38" Barb (230V Models)
8	20976.0064*	1	Tube, Silicone .375" ID x .625" OD x 5.70" (Order item 17) (230V Models)
9	36233.1000	1	Valve, Water Inlet 110/120V (Refer to item 18)
	36233.0001	1	Valve, Water Inlet 220/240V (Refer to item 18)
	32283.0000	2	Screw, Pan Head M4 x 6MM
10	37297.0006	1	Elbow, .25" FLR x .75" FTFR (Includes item 11)
11	41640.0000	1	Gasket, .75" Hose Fitting
12	00310.0002	1	Tube Assy, SST .25" Flare
13	23820.0000	1	Strainer Assy, Water (Includes items 14, 15 & 16)
14	-----	1	Body (Not Available order item 13)
15	23721.0000	1	Screen
16	22249.0000	1	End Cap, Water Strainer
17	20976.1001	-	Tube .375" ID x .625" OD x 36.0" (Use as required)
	20976.1002	-	Tube .375" ID x .625" OD x 120.0" (Use as required)
18	43644.0000	-	Kit, Valve Rebuild

Optional



Early Model Tank



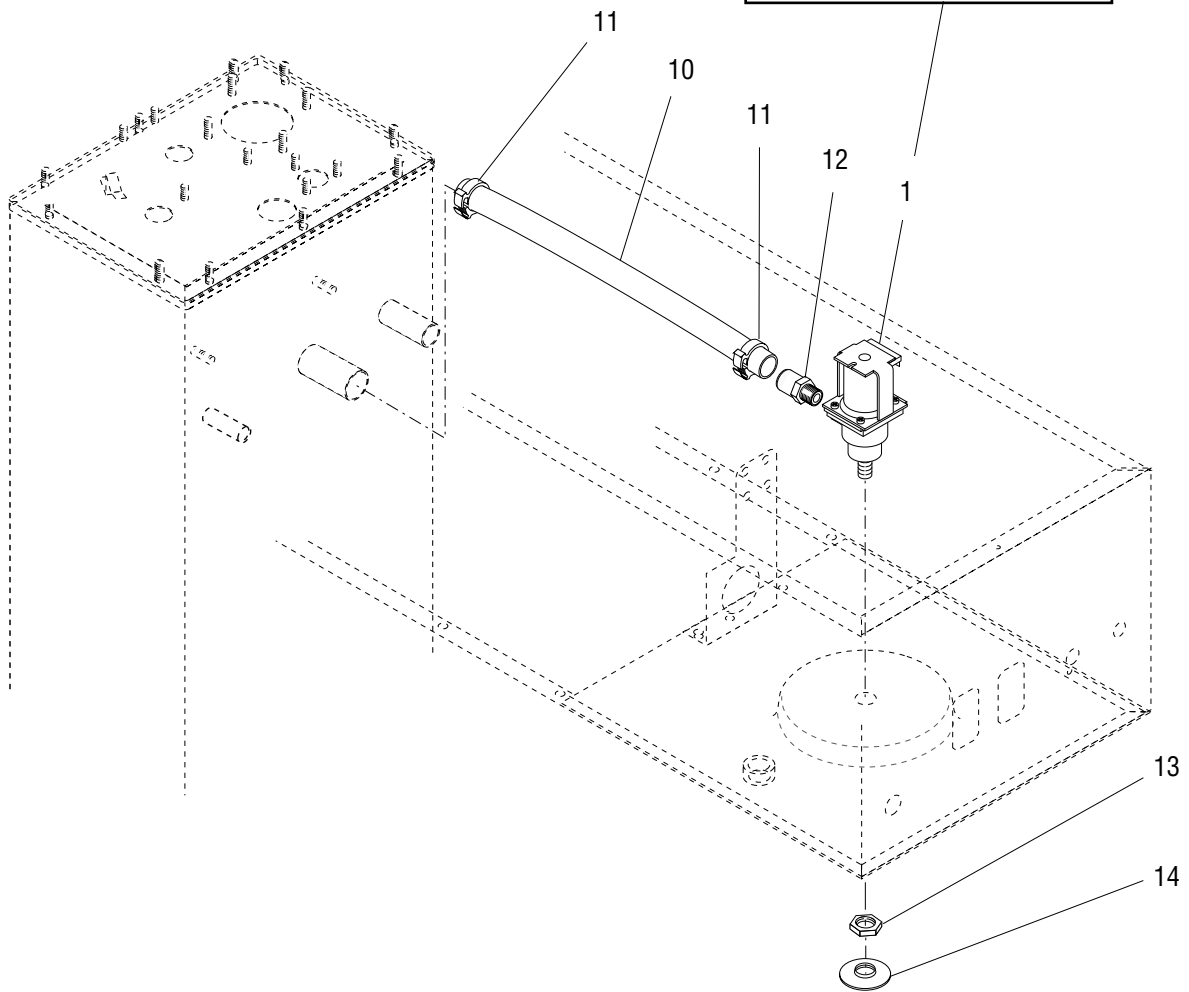
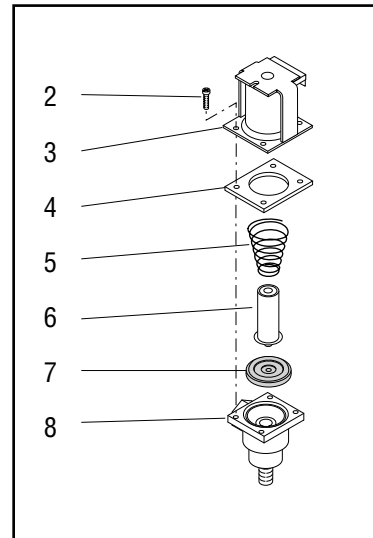
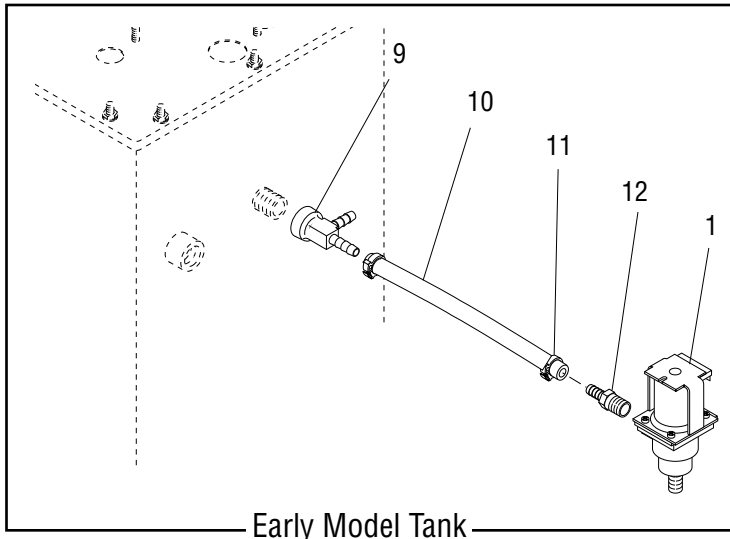
Late Model Tank

P968

## WATER BY-PASS

ITEM	PART NO.	QTY.	DESCRIPTION	
1	20976.0001*	1	Tube, Silicone .375" I.D. x 9.50" (Order item 21) (Early model Tank)	
	32591.0007*	1	Tube, Silicone .50" I.D. x 8.75" (Order item 22) (Late model Tank)	
2	12422.0001	2	Clamp, Hose .59"/.66" I.D.	
3	12422.0005	2	Clamp, Hose .62"/.71" I.D. (Late models)	
4	21136.0001	1	Fitting, Barb .375" x .25" MPT (Early models only)	
5	-----	1	Valve Assy, By-Pass 120V	<div style="display: flex; align-items: center;"> <div style="margin-right: 10px;"> <span style="font-size: 2em;">}</span> Early models. Not available order Late model Valve Assy.                 </div> <div style="margin-right: 10px;"> <span style="font-size: 2em;">}</span> Late models                 </div> <div style="margin-left: 10px;"> <span style="font-size: 2em;">}</span> Includes items 6 thru 12                 </div> </div>
	-----	1	Valve Assy, By-Pass 200V	
	-----	1	Valve Assy, By-Pass 220/240V	
	27370.0000	1	Valve Assy, By-Pass 120V	
	27370.0001	1	Valve Assy, By-Pass 200V	
	27370.0002	1	Valve Assy, By-Pass 220/240V	
	00970.0000	2	Nut, Keps #8-32	
6	23254.0000	4	Screw #8-32	
7	22305.0000	1	Coil Assy, By-Pass Valve 120V	<div style="display: flex; align-items: center;"> <div style="margin-right: 10px;"> <span style="font-size: 2em;">}</span> Early models                 </div> <div style="margin-right: 10px;"> <span style="font-size: 2em;">}</span> Late models. Not available order item 5                 </div> </div>
	22305.0001*	1	Coil Assy, By-Pass Valve 200V	
	22305.0002	1	Coil Assy, By-Pass Valve 220/240V	
	-----	1	Coil Assy, By-Pass Valve 120V	
	-----	1	Coil Assy, By-Pass Valve 200V	
	-----	1	Coil Assy, By-Pass Valve 220/240V	
8	-----	1	Bracket (Not available order item 5)	
9	-----	1	Spring (Not available order item 23)	
10	-----	1	Plunger (Not available order item 23)	
11	23255.0000	1	Diaphragm	
12	-----	1	Body (Not available order item 5)	
13	20976.0009*	1	Tube, Silicone .375" I.D. x 2.25" (Order item 21)	<div style="display: flex; align-items: center;"> <div style="margin-right: 10px;"> <span style="font-size: 2em;">}</span> Early models only. Can use items 2, 3, 17 &amp; 19                 </div> </div>
14	27170.0001	1	Reducer Barb .375" x .25"	
15	11707.0024*	1	Tube, Silicone .25" I.D. x 2.40" (Order item 20)	
16	12422.0000	2	Clamp, Hose .47"/.54" I.D.	
17	-----	1	Valve Assy, Needle By-Pass .25" Barb (Early models. Use late model valve & item 19)	
	20945.1002	1	Valve Assy, Needle By-Pass (.375" Barb) (Late models)	
18	11707.0048*	1	Tube, Silicone .25" I.D. x 4.0" (Early models. Can use items 2, 3, 17 & 19)	
19	20976.0006*	1	Tube, Silicone .375" I.D. x 4.50" (Order item 21) (Late models)	
20	11707.1000	1	Tube, Silicone .25" I.D. x 12.0"	<div style="display: flex; align-items: center;"> <div style="margin-right: 10px;"> <span style="font-size: 2em;">}</span> Not illustrated                 </div> </div>
	11707.1001	1	Tube, Silicone .25" I.D. x 36.0"	
	11707.1002	1	Tube, Silicone .25" I.D. x 120.0"	
21	20976.1000	1	Tube, Silicone .375" I.D. x 12.0"	
	20976.1001	1	Tube, Silicone .375" I.D. x 36.0"	
	20976.1002	1	Tube, Silicone .375" I.D. x 120.0"	
22	32591.1001	1	Tube, Silicone .50" I.D. x 12.0"	
23	11517.0008	-	Valve Repair Kit (Includes one each of items 9, 10 & 11)	

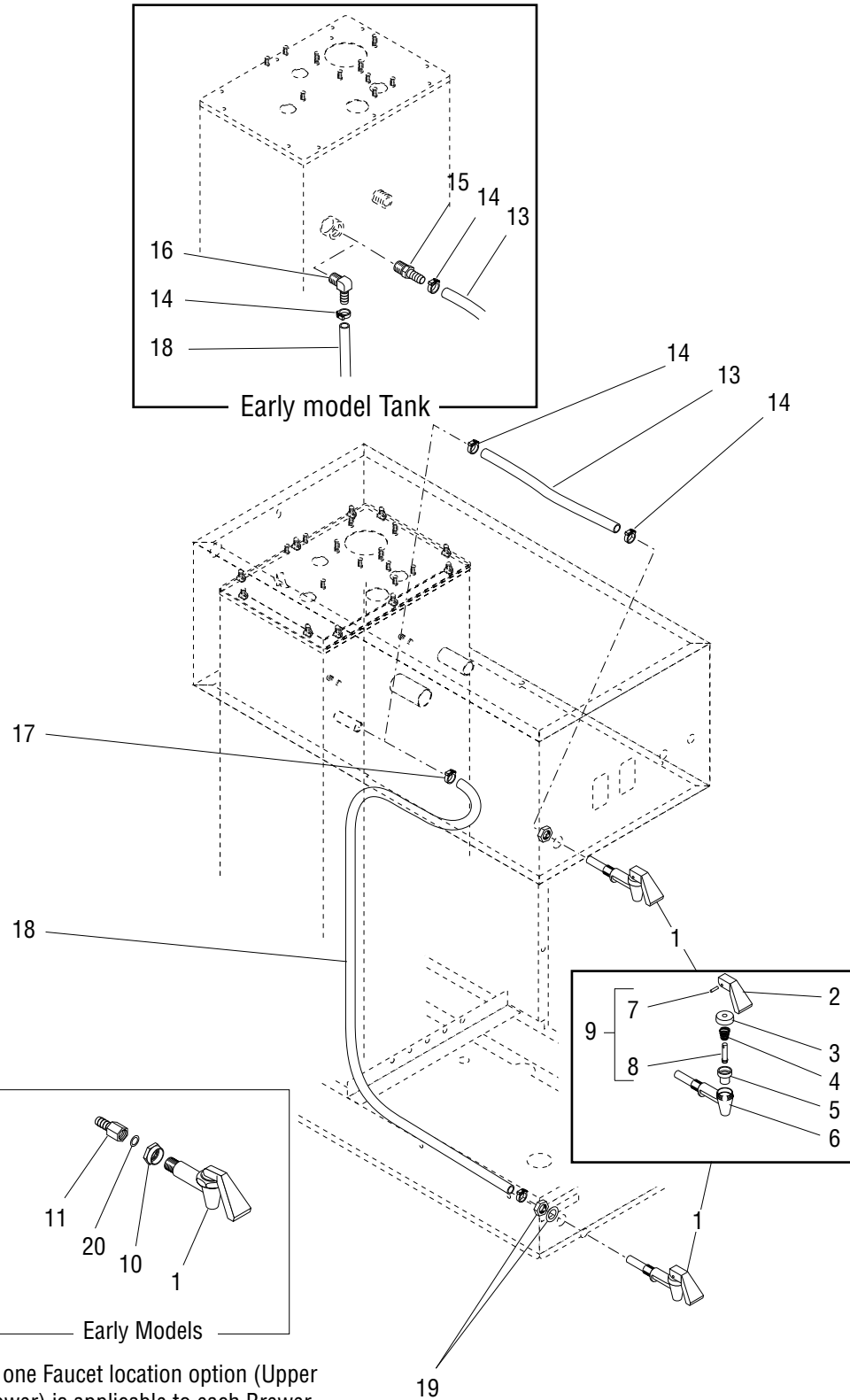
\* Indicates the part number listed is for reference only. See DESCRIPTION for possible service replacement.



## DISPENSE VALVE AND SPRAYHEAD

ITEM	PART NO.	QTY.	DESCRIPTION
1	26846.0000	1	Valve Assy, Sprayhead, 120V (Includes items 2 thru 8)
	26846.0001	1	Valve Assy, Sprayhead, 200V (Includes items 2 thru 8)
	26846.0002	1	Valve Assy, Sprayhead, 230V (Includes items 2 thru 8)
2	23254.0000	4	Screw #8 - 32
3	22305.0000	1	Coil Assy, Dispensing Valve, 120V
	22305.0003	1	Coil Assy, Dispensing Valve, 200V
	22305.0002	1	Coil Assy, Dispensing Valve, 230V
4	23256.0000	1	Spacer Plate
5	-----	1	Spring (Not available order item 17)
6	-----	1	Plunger (Not available order item 17)
7	23255.0000	1	Diaphragm
8	-----	1	Body (Not available order item 1)
9	26924.0000	1	Tee, Run .25" MPTF x .38" x .38" Barb (Early model Tank only)
10	20976.0006*	1	Tube, Silicone .38" I.D. x 4.50" (Order item 15) (Early model Tank)
	35052.0000*	1	Tube, Silicone .75" I.D. x 6.25" (Order item 16) (Late model Tank)
11	12422.0001	2	Clamp, Hose .59"/.66" I. D. (Early model Tank)
	12422.0008	2	Clamp, Hose .93"/1.1" I. D. (Late model Tank)
12	21136.0001	1	Fitting, Barb .375" x .25" MPT (Early model Tank)
	34956.0001	1	Fitting, .25" MPT .281" I.D. (Late model Tank)
13	01075.0000	1	Nut, Hex .438" - 20
14	01082.0002	1	Sprayhead
15	20976.1000	-	Tube, Silicone .375" I.D. x 12.0"
	20976.1001	-	Tube, Silicone .375" I.D. x 36.0"
	20976.1002	-	Tube, Silicone .375" I.D. x 120.0"
16	35052.1000	-	Tube, Silicone .75" X 12.0"
17	11517.0008	-	Valve Repair Kit (Includes one each of items 5, 6 & 7)

} Not illustrated



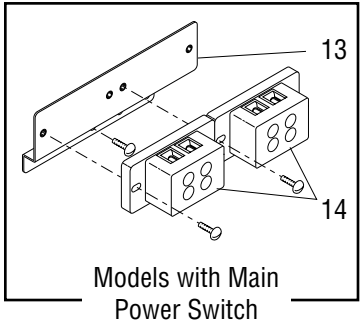
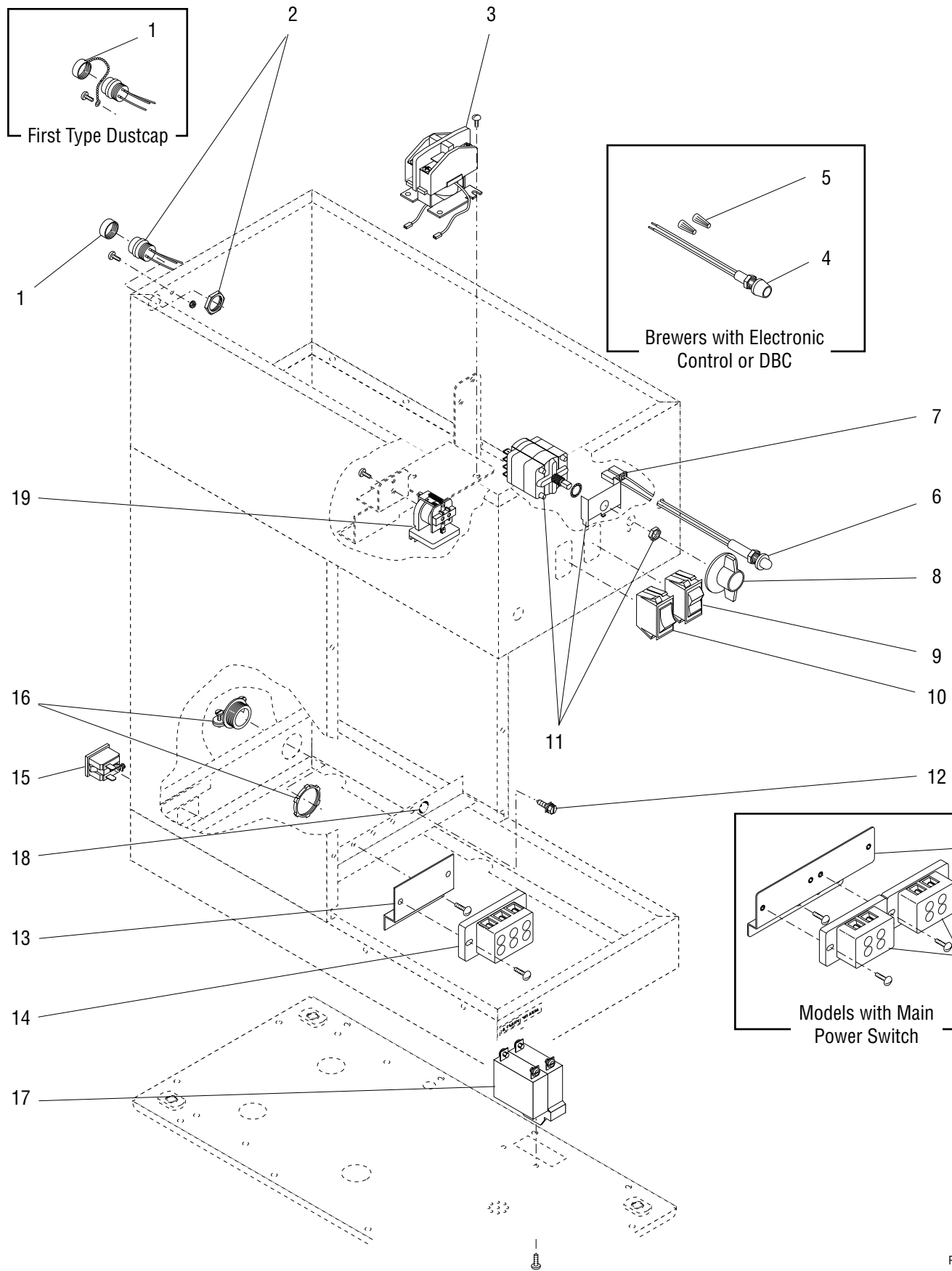
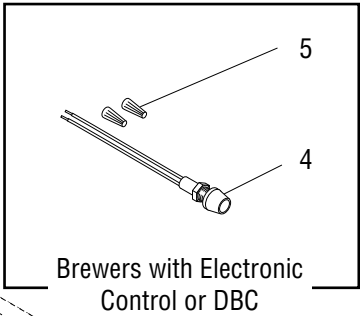
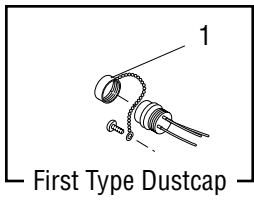
Only one Faucet location option (Upper or Lower) is applicable to each Brewer



## FAUCET - UPPER AND LOWER

ITEM	PART NO.	QTY.	DESCRIPTION	
1	02596.1005	1	Faucet Assy (Includes items 2 thru 8)(Early Models)	
	29075.0000	1	Faucet Assy (Includes items 2 thru 8)(Late Models)	
2	02861.0003	1	Handle, Faucet "Warning Hot Water" (See item 22)	
3	02854.0000	1	Bonnet, Faucet	
4	02595.0000	1	Spring, Faucet (See item 22)	
5	02766.0000	1	Seat Cup, Faucet (See item 22)	
6	02856.0002*	1	Body, Faucet (Early Models)	} Order item 1
	02856.0005*	1	Body, Faucet (Late Models)	
7	02858.0000	1	Pin, Spring .125" Dia. x .50" (See item 22)	
8	13054.0000	1	Stem, Faucet (See item 22)	
9	02594.0000	1	Faucet Stem W/Pin (Includes items 7 & 8)	
10	02850.0000	1	Jam Nut, Faucet	
11	12437.0000	1	Adapter, Barb (For early models also order item 12)	} Brewers With Upper Faucet Only
12	27574.0000	1	Washer, sealing (Late models)	
13	20976.0003*	1	Tube, Silicone .38" I.D. x 10.50" (Order item 21) (Early model Tank)	
	20976.0059*	1	Tube, Silicone .38" I.D. x 11.75" (Order item 21) (Late model Tank)	
14	12422.0001	2	Clamp, Hose .59" x .66" I.D.	
15	21136.0001	1	Fitting, Barb .375" x .25" MPT (Early model Tank only)	
16	20202.1601	1	Elbow, 90° .375" Barb x .25" MPT (Early model Tank only)	} Brewers With Lower Faucet Only
17	12422.0001	2	Clamp, Hose .59" x .66" I.D.	
18	20976.0000*	1	Tube, Silicone .38" I.D. x 30.0" (Order item 21) (Early model Tank)	
	20976.0054*	1	Tube, Silicone .38" I.D. x 32.5" (Order item 21) (Late model Tank)	
19	29264.0000	1	Nut, Hex .50-20 UNF	} Late Models
	01544.0000	1	Washer	
20	27574.0000	1	Washer, sealing (Early models)	
21	20976.1000	1	Tube, Silicone .38" I.D. x 12.0"	} Not Illustrated
	20976.1001	1	Tube, Silicone .38" I.D. x 36.0"	
	20976.1002	1	Tube, Silicone .38" I.D. x 120.0"	
22	28706.0002	1	Faucet Kit (Includes items 2, 4, 5, 7 & 8)	

\* Indicates the part number listed is for reference only. See DESCRIPTION for possible service replacement.

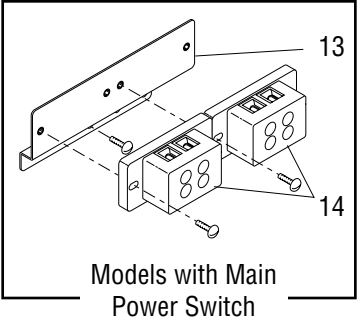
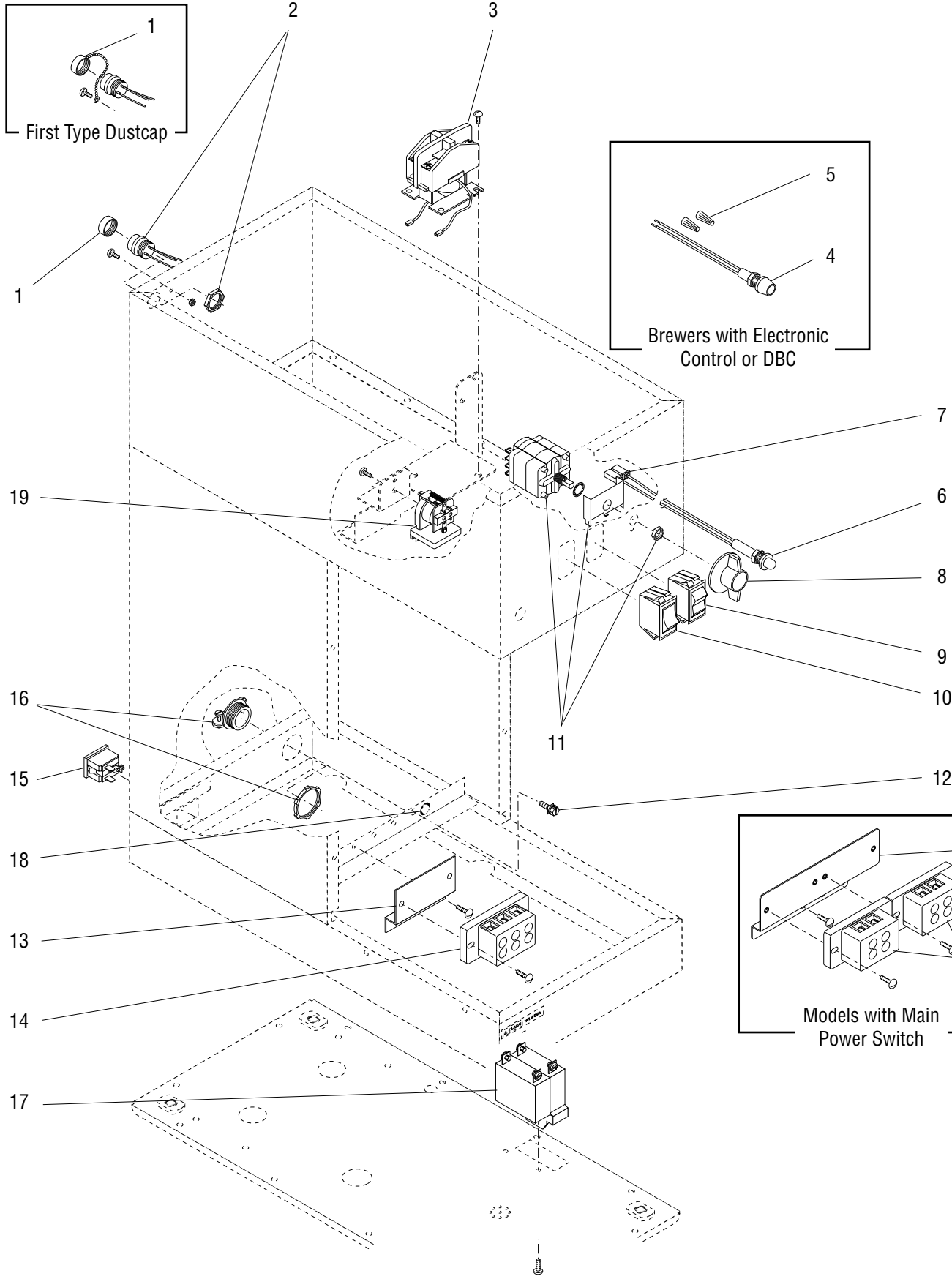
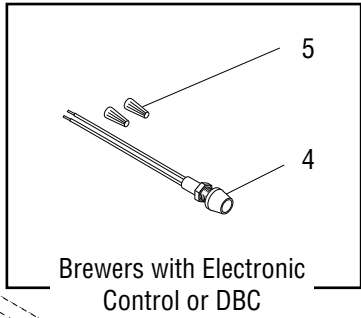
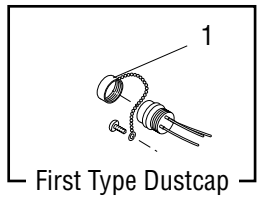


## ELECTRICAL CONTROLS & READY LIGHT

ITEM	PART NO.	QTY.	DESCRIPTION
1	-----	1	Dustcap W/Chain (First type. Not available order second type Dustcap)
	27657.0000	1	Dustcap, Socket (Second type)
	01382.0000	1	Screw, Truss Head #6-32 x .375"
	00973.0000	1	Nut, Keps #6-32
2	12274.0002	1	Socket Assy W/Leads, Interface
3	06335.1000	1	Contactor Assy, 120V Coil
	06335.1002	1	Contactor Assy, 240V Coil
	01327.0000	2	Screw, Pan Head #10-32 x .375"
4	12517.0002	1	Ready Light Replacement Kit (Includes item 5)
	25292.0000	1	Lockwasher M6
	34130.0000	1	Nut M6
5	03851.0000	2	Wire Nut 2-22 AWG
6	47575.1000	1	Kit, Light Assy 120V (Includes item 7)
	47575.1001	1	Kit, Light Assy 240V (Includes item 7)
7	04243.0000	2	Terminal Housing, Receptacle
8	12246.0000	1	Knob, Rotary Switch
9	02753.0000	1	Switch, On/Off (120V & 120/240V models)
	02754.0000	1	Switch, On/Off (200V models)
	28305.0000	1	Switch, On/Off (230V models)
10	02628.0000	1	Switch, Momentary- Start (120V, 120/240V & 200V models)
	28303.0000	1	Switch, Momentary- Start (230V models)
11	20969.0001*	1	Switch Assy, Rotary (120/208 & 120/240V models prior to 09/29/06) (Not available. Order 39053.1001)
	28302.1000	1	Switch Assy, Rotary (230V models and all other models after 09/29/06)
	20969.0004*	1	Switch Assy, Rotary (DBC models) (Not available. Order 39053.1004)
12	01309.0000	1	Ground Screw W/Terminal Washer #10-32 x .50"
13	23004.0000	1	Bracket, Terminal Block Mounting
	39248.0000	1	Bracket, Terminal Block Mounting (Models with Main Power Switch)
	02308.0000	2	Screw, Pan Head #8-32 x .375"
14	07038.0000	1	Terminal Block, 3 Pole (RED/WHI/BLK)
	01106.0000	1	Terminal Block, 2 Pole (WHI/BLK)
	01106.0001	1	Terminal Block, 2 Pole (RED/BLK)
	01317.0000	2	Screw, Truss Head #8-32 x .375"
15	03628.0000	1	Receptacle, Grounded (Early models only)
16	01590.0000	1	Connector, Cable
	05746.0001	1	Bushing, Strain Relief (230V models)
17	38894.0001	1	Switch, Main Power (Not used on all models)
	01308.0002	2	Screw, Truss Head #6-32 x .25" (Switch Mounting)
	01327.0000	4	Screw, Pan Head #10-32 x .375"
	01512.0000	4	Lockwasher, External Tooth #10
18	00824.0000	1	Decal, Ground
19	02618.1000	1	Relay, 120V SPDT (Brewers W/Power Boost)
	01347.0000	1	Screw, Truss Head #6-32 x .375"

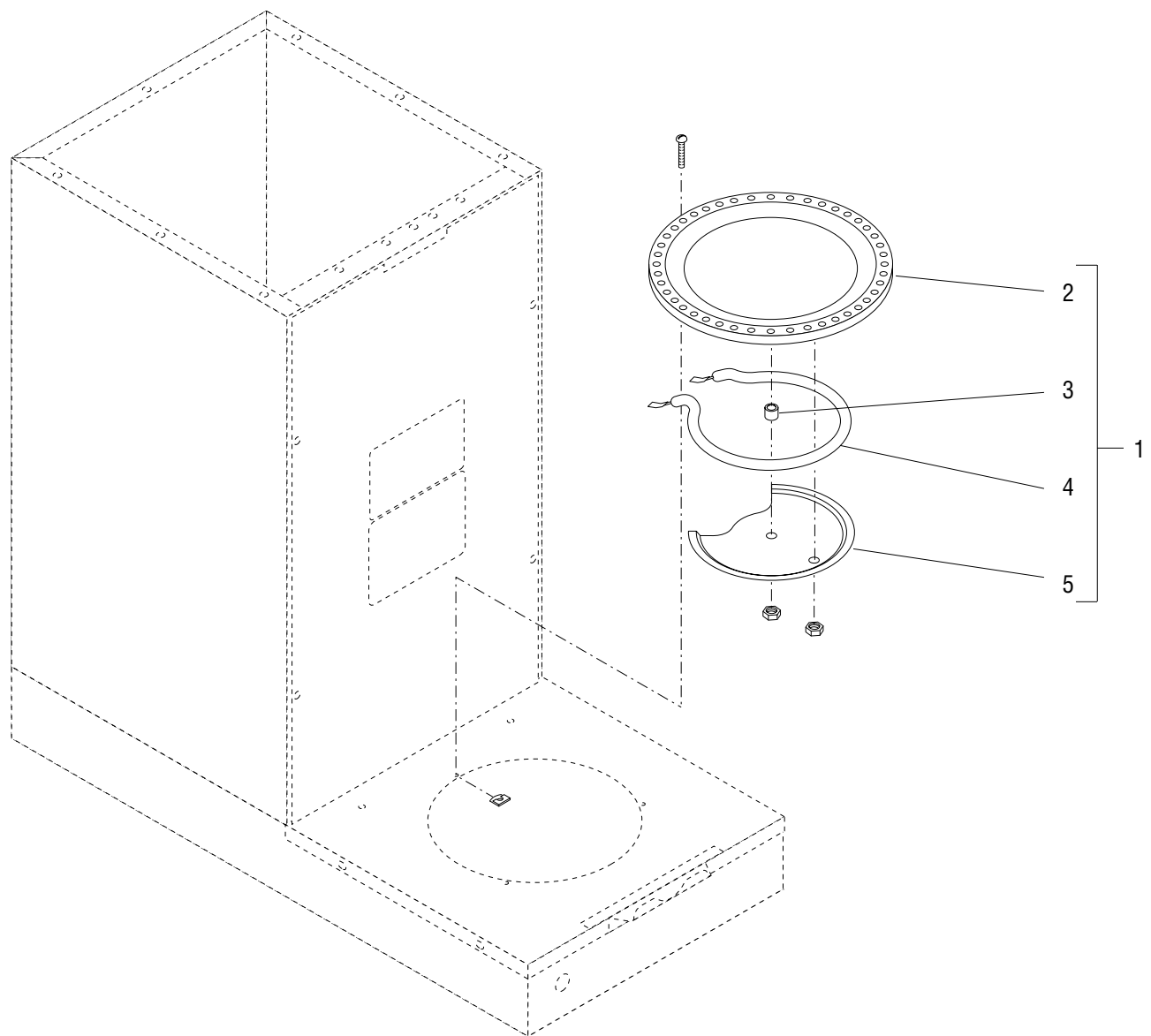
(continued)

\* Indicates the part number listed is for reference only. See DESCRIPTION for possible service replacement.



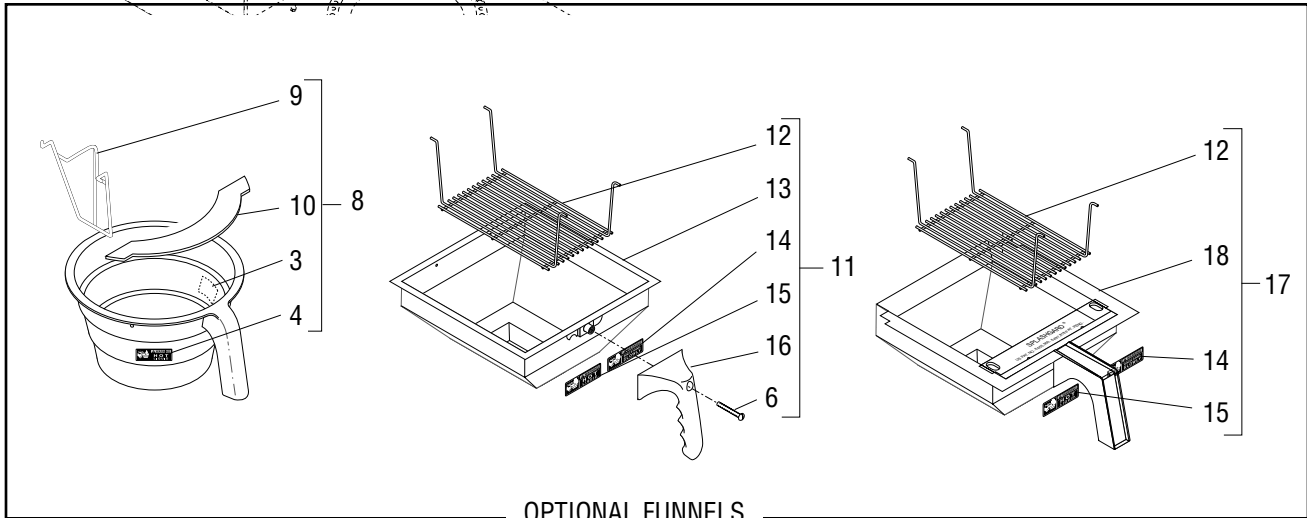
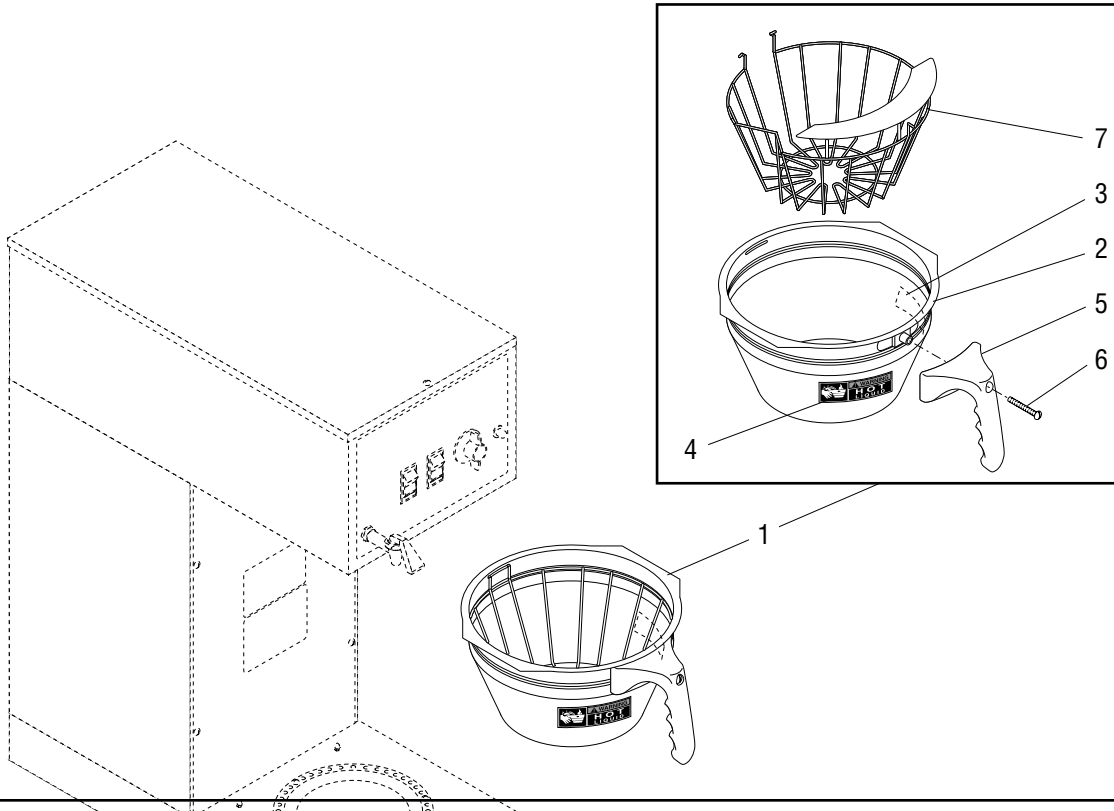
## ELECTRICAL CONTROLS & READY LIGHT

ITEM	PART NO.	QTY.	DESCRIPTION	
Note: The following items are not illustrated				
20	27026.0018	1	Wiring Harness, Main (120/240V Mech. Thermostat)	] Not used on Brewers equipped with DBC
	27026.0017	1	Wiring Harness, Main (120V Mech. Thermostat)	
	27026.0002	1	Wiring Harness, Main (120/240V Electronic Control)	
	27026.0003	1	Wiring Harness, Main (120V Electronic Control)	
	27026.0004	1	Wiring Harness, Main (200/240V Mech. Thermostat)	
	27026.0005	1	Wiring Harness, Main (200/240V Electronic Control)	
	27026.0013	1	Wiring Harness, Main (120/208V Brewers W/Power Boost)	
	27026.0019	1	Wiring Harness, Main (230V CE)	
21	23378.0000	1	Wiring Harness, Contactor (200/240V)	] Not used on Brewers equipped with DBC
	23378.0001	1	Wiring Harness, Contactor (120V)	
	46437.0000	1	Wiring Harness, Contactor (230V CE)	
22	26810.0000	1	Wiring Harness, 1 Set (Models with 1 Batch Option only)	] Not used on Brewers equipped with DBC
23	25645.0003	1	Wiring Harness, Signal	] Brewers with DBC only
24	25646.0000	1	Wiring Harness, Power	
25	28318.0000	1	Wiring Harness, Rotary Switch	
26	37859.0002	1	Wiring Harness, Main Power Switch	
27	23799.0001	1	Cord Assy, Power (120V)	
	42749.0026	1	Cord Assy, Power (230V w/cord)	



## WARMER ASSEMBLY

ITEM	PART NO.	QTY.	DESCRIPTION
1	03652.0000	1	Warmer Assy, Blk 100W 120V (Includes items 2 thru 5)
	02817.0000	1	Warmer Assy, Blk 100W 220V (Includes items 2 thru 5)
	01303.0000	3	Screw, Pan Head #4-40 x .50"
	01303.0002	3	Screw, Pan Head, Blk #4-40 x .50"
	00916.0000	3	Clip, J-Type #4-40 (Early models)
2	03656.0000	1	Warmer Dish, Blk - 45 Hole
3	13042.0001	1	Spacer .174" I.D. x .188"
4	01227.0000	1	Warmer Element, 100W 120V
	01951.0000	1	Warmer Element, 100W 220V
5	05212.0000	1	Plate, Warmer Retainer
	00970.0000	2	Nut, Keps #8-32





## FUNNELS

ITEM	PART NO.	QTY.	DESCRIPTION
1	20201.1201	1	Funnel Assy, SST (Black Handle) (Includes Items 2 thru 7)
2	24462.0002	1	Funnel W/Decals (Includes items 3 & 4)
3	03408.0004	1	Decal, Caution-Remove Funnel
4	03409.0004	1	Decal, Caution-Hot Liquid
5	20201.1100	1	Handle, Funnel-Black
6	12499.0002	1	Screw, Round Head .25" - 20 x 1.50"
7	-----	1	Filter Basket (First Type. Not available, order Second Type)
	33089.0000	1	Filter Basket (Second Type)
8	22735.0000	1	Funnel Assy, Plastic-Black (Includes items 3, 4, 9 & 10)
	22735.0001	1	Funnel Assy, Plastic-Smoke (Includes items 3, 4, 9 & 10)
9	21911.0000	1	Funnel Adapter, Water By-Pass
10	32965.0000	1	Splash Guard
11	29911.0000	1	Funnel Assy, Pouch Pack (Includes items 6 & 12 thru 16)
12	29916.0000	1	Wire Form Insert
13	29914.0000	1	Funnel W/Decals (Includes items 14 & 15)
14	03408.0002	1	Decal, Warning-Remove Funnel
15	03409.0002	1	Decal, Warning-Hot Liquid
16	29915.0000	1	Handle, Pouch Pack Funnel
17	35282.0000	1	Funnel Assy, Pouch Pack Plastic (Includes items 12, 14, 15 18 & 19)
18	34439.0000*	1	Funnel, Pouch Pack (Not available order item 17)
19	34438.0000	1	Splashgard, Black Plastic

## NUMERICAL INDEX

PART NO.	PAGE NO.	PART NO.	PAGE NO.	PART NO.	PAGE NO.	PART NO.	PAGE NO.
00310.0002	23,25,27	01520.0000	21	06335.1000	35	20203.0100	19
00400.0001	25	01532.0000	25	06335.1002	35	20526.1330	25
00459.0000	25	01533.0000	9,11,13,15,17	07038.0000	35	20526.1500	25
00463.0000	25	01544.0000	33	07073.0000	11	20762.0000	9,11
00502.0000	7	01590.0000	35	07073.0001	9	20922.1000	19
00619.0002	13,15	01592.0001	25	07074.1028	9,11	20922.1003	19
00619.0005	7	01667.0000	17	07074.1033	9,11	20936.1000	19
00619.0007	5	01951.0000	39	07075.0000	17	20937.0000	25,27
00619.0008	7	01975.0000	25	07441.0000	17	20945.1002	29
00656.0001	5	02308.0000		10851.0000	5	20948.0001	9,11,13,15,17
00658.0000	5	... 5,7,9,11,13,15,17,23,25,35		10853.0000	5	20969.0001	35
00720.0000	9,11	02324.0000	7	11517.0008	29,31	20969.0004	35
00824.0000	7,35	02328.0003	17,21	11630.0001	23	20976.0000	33
00831.0000	5	02336.0000	5	11707.0024	29	20976.0001	29
00908.0000	19,23,25	02336.0002	5	11707.0048	29	20976.0003	33
00910.0000	23	02536.0000	19,25,27	11707.1000	29	20976.0006	29,31
00916.0000	7,39	02594.0000	33	11707.1001	29	20976.0009	29
00946.0000	19	02595.0000	33	11707.1002	29	20976.0054	33
00970.0000	17,29,39	02596.1005	33	12246.0000	35	20976.0059	33
00971.0000	19,23	02618.1000	35	12274.0002	35	20976.0064	27
00973.0000	17,35	02628.0000	35	12305.1000	19	20976.0085	27
01075.0000	31	02753.0000	35	12322.1000	19	20976.1000	29,31,33
01079.0000	25	02754.0000	35	12364.0000	7	20976.1001	27,29,31,33
01082.0002	31	02766.0000	33	12398.0002	19	20976.1002	27,29,31,33
01085.0000	25	02817.0000	39	12422.0000	19,29	21104.0003	7
01085.0002	25	02822.0000	5	12422.0001	27,29	21122.0000	13,15
01085.1006	25	02850.0000	33	12422.0001	31,33	21136.0001	29,31,33
01085.1007	25	02854.0000	33	12422.0005	29	21180.0000	25
01100.0000	25	02856.0002	33	12422.0008	31	21181.0000	25
01101.0000	25	02856.0005	33	12422.0009	23	21511.1004	7
01106.0000	35	02858.0000	33	12437.0000	33	21801.0002	21
01106.0001	35	02861.0003	33	12499.0002	41	21812.0007	25
01111.0000	25	03011.0000	7	12517.0002	35	21911.0000	41
01111.0002	25	03236.0013	19	12524.1000	19	22249.0000	25,27
01116.0000	25	03236.1001	21	12527.0001	19	22300.0330	25
01154.0000	25	03236.1002	21	12527.0008	19	22300.0500	25
01155.0000	25	03236.1003	21	12559.0000	13,15	22305.0000	29,31
01227.0000	39	03408.0002	41	12560.1018	13,15	22305.0001	29
01303.0000	39	03408.0004	41	12560.1019	13,15	22305.0002	29,31
01303.0002	39	03409.0002	41	12561.0000	19	22305.0003	31
01308.0002	35	03409.0004	41	12565.0002	21	22728.0000	19
01309.0000	35	03628.0000	35	12565.0008	21	22735.0000	41
01311.0000	7	03633.0000	19	12568.0003	17	22735.0001	41
01317.0000	35	03652.0000	39	12570.0000	13,15,17	22960.1004	23
01327.0000	25,35	03656.0000	39	12919.0008	9	22960.1008	23
01347.0000		03803.0000	19	12984.0002	35	22976.0000	23
..... 7,9,11,13,15,17,35		03803.0002	19	12984.0004	35	22978.0000	23
01382.0000	17,35	03807.0000	19	13042.0001	39	22979.0000	7
01382.0003	5,7	03851.0000	35	13054.0000	33	22979.0001	7
01382.0007	5,7	04243.0000	35	13255.0001	7	22979.0005	7
01388.0000	9,11,13,15,17	04314.0007	9,11	13255.0002	7	22979.0006	7
01501.0000	19	04786.0002	13,15	20201.1100	41	22979.0007	7
01502.0000	25	04797.0000	19	20201.1201	41	22992.0001	25
01510.0000	9,11,13,15	05212.0000	39	20201.5600	5	23004.0000	35
01511.0000	9,11	05515.0000	25	20201.6001	23	23015.0001	25
01512.0000	35	05746.0001	35	20202.1601	33	23024.0000	5

## NUMERICAL INDEX

PART NO.	PAGE NO.	PART NO.	PAGE NO.	PART NO.	PAGE NO.	PART NO.	PAGE NO.
23024.0001	5	27026.0003	37	35086.0000	23		
23024.0002	5	27026.0004	37	35282.0000	41		
23024.0003	5	27026.0005	37	36233.0001	27		
23193.0000	23	27026.0013	37	36233.1000	27		
23254.0000	29,31	27026.0017	37	36259.0000	23		
23255.0000	29,31	27026.0018	37	36378.0001	27		
23256.0000	31	27026.0019	37	37297.0006	27		
23324.1000	23	27035.0000	17	37541.0000	23		
23378.0000	37	27099.0000	5	37859.0002	37		
23378.0001	37	27099.0001	5	37881.0000	7		
23416.0003	5	27099.0002	5	38342.0000	25		
23416.0004	5	27099.0004	5	38820.0001	7		
23417.0000	5	27170.0001	29	38894.0001	35		
23417.0001	5	27349.1004	19	39248.0000	35		
23417.0002	5	27370.0000	29	39803.0000	7		
23417.0003	5	27370.0001	29	40071.0001	27		
23417.0005	5	27370.0002	29	40187.0001	27		
23418.0000	5	27461.0000	21	41259.1003	19		
23418.0003	5	27473.0000	19	41266.0000	19		
23419.0000	5	27574.0000	33	41280.0001	19		
23419.0001	5	27657.0000	35	41640.0000	27		
23419.0002	5	28302.1000	35	42749.0026	37		
23419.0004	5	28303.0000	35	43644.0000	27		
23440.0000	7	28305.0000	35	46437.0000	37		
23440.0001	7	28318.0000	37	M2522.1000	21		
23717.0003	19	28377.0000	9,11				
23721.0000	25,27	28479.0000	25				
23799.0001	37	28480.0000	25				
23820.0000	27	28481.0000	25				
24462.0002	41	28592.1006	5				
24684.0000	25,27	28706.0002	33				
25151.0000	7	28909.0000	23				
25160.0000	25	29075.0000	33				
25292.0000	35	29264.0000	33				
25468.0002	17	29421.0000	23				
25513.0000	17	29911.0000	41				
25645.0003	37	29914.0000	41				
25646.0000	37	29915.0000	41				
25648.0000	17	29916.0000	41				
25654.0000	17	32283.0000	27				
25662.0000	17	32400.0000	9,11,13,15				
25756.0000	5	32400.0001	9,11,13,15				
25766.0000	5	32400.0002	9,11,13,15				
25766.0001	5	32400.0003	9,11,13,15				
26528.0000	7	32540.0000	7				
26263.0000	17	32591.0007	29				
26622.0001	19	32591.1001	29				
26810.0000	37	32591.1002	23				
26846.0000	31	32965.0000	41				
26846.0001	31	33089.0000	41				
26846.0002	31	34130.0000	35				
26885.0000	5	34438.0000	41				
26885.0001	5	34439.0000	41				
26885.0006	5	34956.0001	31				
26924.0000	31	35052.0000	31				
27026.0002	37	35052.1000	31				