



[SuperiorPopcorn.com](http://SuperiorPopcorn.com)

for a complete selection of concession supplies



# POPCORN MAKER INSTRUCTION MANUAL



You have purchased our best selling popcorn popper for personal use. By purchasing the Hot & Fresh Popper you have joined an elite group of popcorn aficionado's. In the world of popcorn you have now reached the next level. You have left behind the stove top saucepan with a gob of white shortening and a handful of popcorn.

# Hot & Fresh POPCORN POPPER

Welcome to Pop Culture!

This is an industrial-strength kettle popper with the same kettle used by sport stadiums, theaters, concession stands, convenience stores and mini-marts. Fresh popcorn for every event is possible in just minutes. A professional popcorn scoop and bags are included. Just form an orderly line, there is plenty for everyone.

We use only the finest grade material and workmanship when manufacturing our poppers. If for any reason our popper doesn't live up to these standards described, please write us at [service@Superiorpopcorn.com](mailto:service@Superiorpopcorn.com).

**This instruction manual covers the following poppers.**

**8oz Kettle Hot & Fresh Popcorn Maker (Black or Red)**

110 volts - 860watts - 60HZ

**SuperiorPopcorn.com**

for a complete selection of concession supplies

## IMPORTANT SAFEGUARDS and DO NOT'S

- **READ ALL INSTRUCTIONS BEFORE USING YOUR POPCORN MACHINE.**
- **DO NOT** use this appliance for anything other than the indicated usage. The Hot & Fresh Popper is intended for residential or personal use only. This appliance is **NOT** intended for commercial use.
- The Hot & Fresh Popper must be properly assembled before using it. Follow instructions and recommendations carefully.
- **ONLY** connect to an electrical outlet with the correct electrical supply and proper grounding to reduce the risk of shock and fire. **Do Not** cut or remove the grounding pin. If you do not have a three-prong electric receptacle outlet available, have a certified electrician install a proper outlet. **DO NOT** use a wall receptacle that is not properly grounded. Consult a qualified electrician to make sure your wiring and circuit can handle the electrical load required to operate this appliance.
- Make sure **ALL** switches are in the **"OFF"** position after each use, disconnect power cord from the electric outlet before cleaning.
- **DO NOT** immerse cord or plug into water or other liquids. **DO NOT** use extension cords or adapters to connect the unit to an electrical power source.
- **DO NOT** operate the appliance with damaged cord or plug, malfunction or with any mechanical damages.
- **EXTREME CAUTION** must be used when dumping kettle after popping action stops, a heat resistant mitt is recommended. **DO NOT** touch hot surfaces. Always use handle to operate.
- **DO NOT** move the popper during operation. Allow hot parts to cool down before moving or handling.
- **DO NOT** add kernels into a dry pot (without oil). To avoid overheating, always have oil and kernels ready before turning on heat.
- **DO NOT** place kettle into a dishwasher. **DO NOT** immerse kettle into water.
- **DO NOT** place the unit on or near a gas or electric burner or near a heated oven.
- **DO NOT** use outdoors, in wet environments or near a swimming pool, pond or hot tub/Jacuzzi.
- **DO NOT** use accessories or attachments that are not provided or recommended by manufacturer.
- **KEEP CHILDREN** well away from popper while in operation..
- **DO NOT** use abrasive cleaning products or abrasive cloth or materials on any surface of this machine. Mild synthetic abrasive cloth may be used on inside of pot. Absolutely **NO Steel Wool**.
- **NEVER** force any parts or brackets into position.
- **SAVE** these instructions for future reference.

**READ THE NEXT PAGE BEFORE YOU REMOVE  
POPPER FROM THE SHIPPING BOX.**

## IMPORTANT KNOWLEDGE FOR UNPACKING

Unpacking the shipping crate that holds your new popper is the most exciting moment for a true popcorn aficionado like yourself. The Superior Popcorn Co. (SPC) have carefully engineered this shipping carton to insure your popper arrives in pristine condition.

Before removing anything from the carton, inspect the box for damage. Photograph any damage that have occurred to the outside of the carton. In the unlikely event that the box is damaged it may have also damaged the popper. If so, you will have to file a claim with the shipping company. Do not return merchandise to SPC without a RMA number. For more information on RMA's refer to the warranty section in this manual.

Removing your popper from the carton is best accomplished with help from a friend. Gently lay the carton on it's side, preferably on a carpeted floor. The popper and it's parts are encased in Styrofoam. Carefully ease the Styrofoam encasement from the carton. Remove the Styrofoam halves and take stock of the parts included.

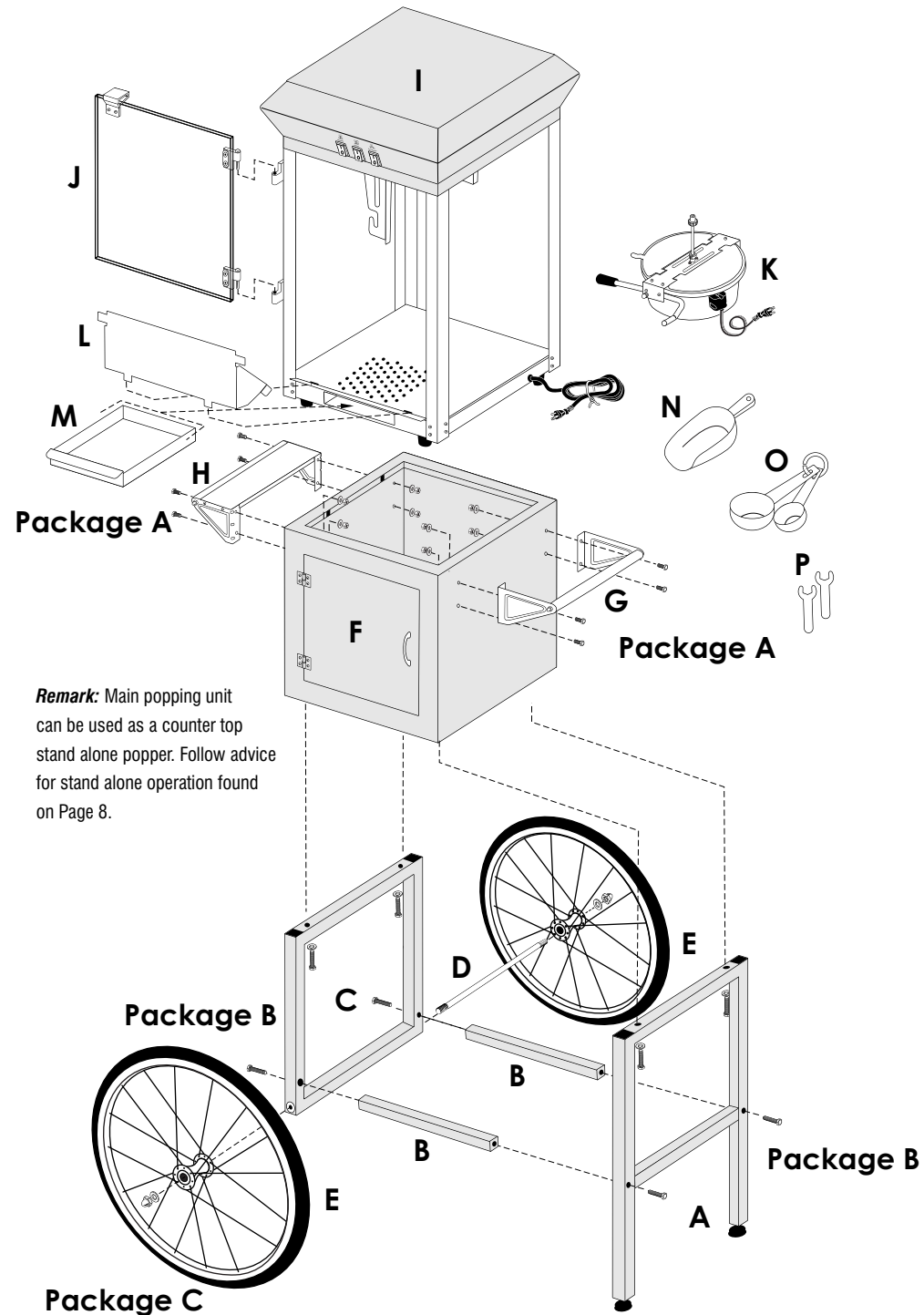
Compare the parts in the carton to the list on the following page. If you find that the carton is missing a part contact SPC at [service@superiorpopcorn.com](mailto:service@superiorpopcorn.com)

## PARTS LIST

- |                                 |                                     |
|---------------------------------|-------------------------------------|
| A. Long Stand                   | I. Popper Cabinet                   |
| B. Square Cross Members x 2 pc. | J. Popper Cabinet Door              |
| C. Short Wheel base             | K. Kettle                           |
| D. Axle                         | L. Front Tilt Door                  |
| E. Wheels x 2 pc..              | M. Old Maids Drawer                 |
| F. Storage cabinet              | N. Popcorn scoop                    |
| G. Hand Rail                    | O. measure cup set                  |
| H. Work Platform                | P. Assembly Wrench Set 9/16" / 14mm |

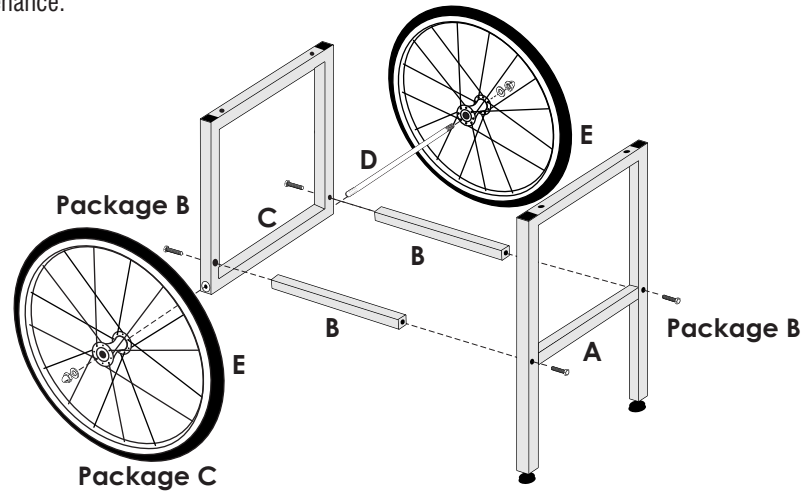
- Package A, 9/16"x 1/2" bolts, nuts, washers - 8 pcs. each
- Package B, 9/16"x1-3/8" bolts x 8 pcs., washers x 4 pcs.
- Package C, 9/16", Cap Nuts, washers x 2 pcs. each
- Package D, wrench x 2 pcs.

**Please Note:** First time use, clean inside glass and wipe inside area with damp sponge. Thoroughly wipe inside of stainless steel pot with clean damp sponge before heat is applied.

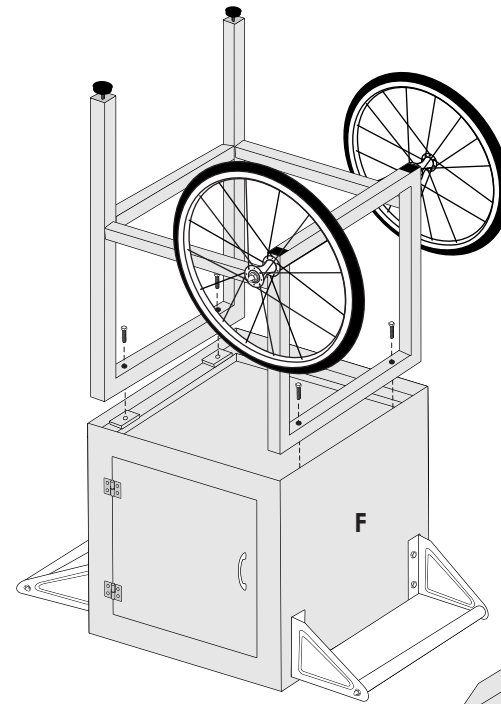
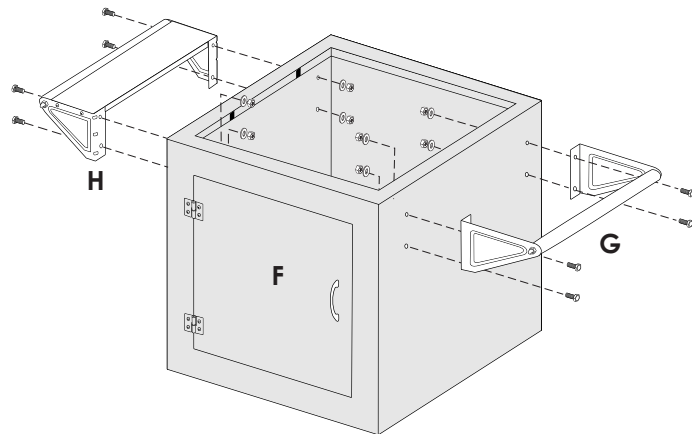


# ASSEMBLY PROCEDURE

1. Use (2) 9/16"x 1-3/8"bolts (Package B) provided to connect the long stand (A) and the 2 square poles (B) together.
2. Connect the assembly above (step 1) with the short stand (C) by using (2) 9/16"x 1-3/8"bolts (Package B).
3. Add a cap nut and washer (Package C) to one end of the axle (D). Insert axle (D) through one wheel (E) and into short stand axle hole (C). Place the second wheel (E) on the opposite end of axle (D). Next place cap nut and washer (Package C) onto the exposed end of the axle (D). Tighten cap nut with wrench provided (P). Check cap nut tightness periodically during routine maintenance.



4. Install the handrail (G) onto the right hand side of the storage unit (F) and the working platform (H) on the left hand side with the nuts, bolts and washers included (Package A).



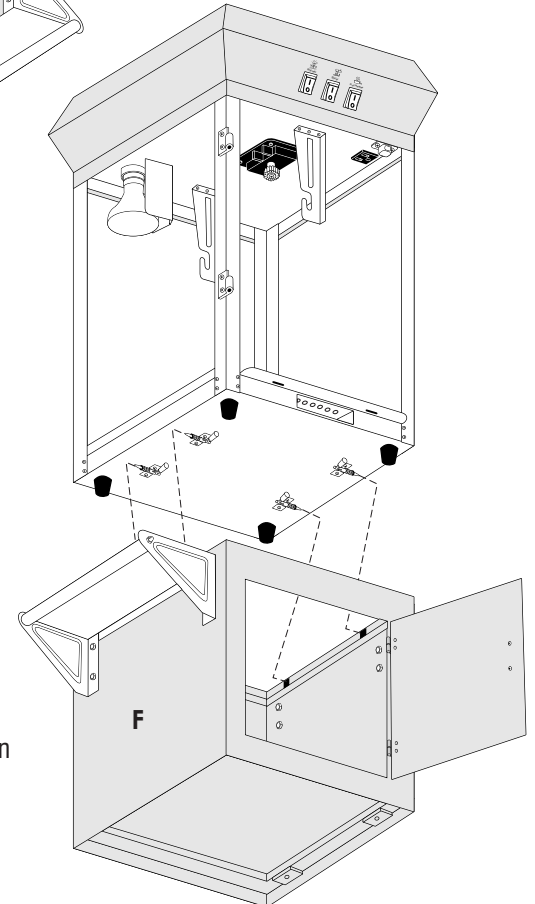
6. Place the main popper unit (I) onto the topside of the storage cabinet (F). Align the power cord located on the right side of the popper unit with the u-shape cut out on the right side of the cabinet. Use the four spring loaded latches to secure the popping unit to the storage cabinet.

**Caution:** Do not attempt to move your popper without securing the latches. The popping unit will topple off causing property and/or personal damage.

**NOTE:** Cart base shown removed for clarity.

5. Turn the storage cabinet (F) up side down for convenient assembly. Insert both ends of the short and long stands onto the bottom of cabinet (wheels opposite of the handle attachment) and attach with bolts (Package B). Use wrench provide to thoroughly tighten bolts. Turn the completed unit back to up-right position.

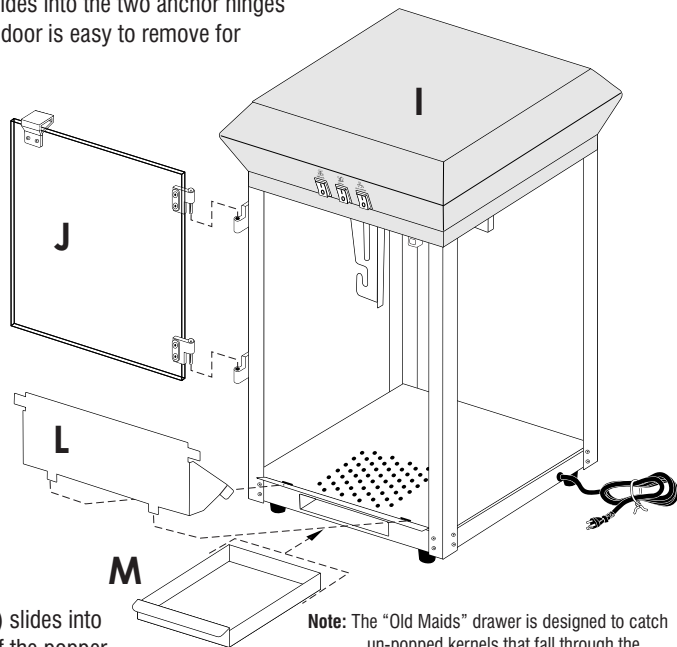
**Note:** This task should be performed on carpet or a section of cardboard to avoid scraping the cabinet or damaging your floor. **This is a two person task.**



7. The glass door (J) simply slides into the two anchor hinges on the popping unit. (I) The door is easy to remove for cleaning.

**Note:** The metal handle should align with the magnetic latch on the popping unit (I).

8. Align the two bottom tabs on the Stainless Steel tilt door (L) with the slots on the bottom platform of the popping unit. The side panels will bend in slightly to maneuver past the corner rails.



9. The “Old Maids” drawer (M) slides into the opening at the bottom of the popper unit.

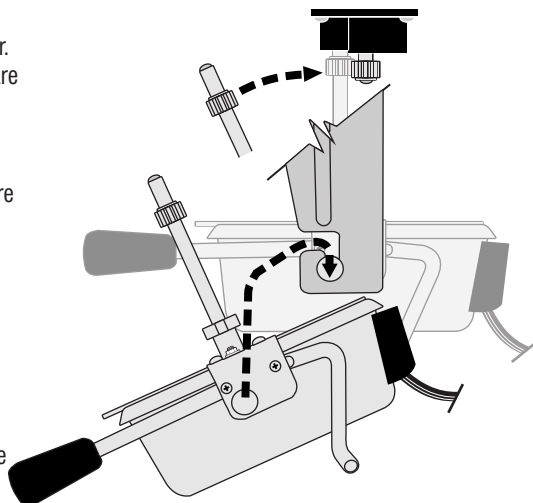
**Note:** The “Old Maids” drawer is designed to catch un-popped kernels that fall through the sized holes. Occasionally empty the drawer. Debris that may not make it into the drawer should be removed before replacing drawer tray. Loose debris can prevent the drawer from shutting properly.

10. Next place the pot (K) onto the hangers located in the popper unit. Hold the pot centered at approximately a 70 degree angle as illustrated here. Place the two hanger bars into the slots on the hanger. **Do Not force.** Make sure the hangers are well seated before swinging the axle shaft up to the motor. The roller pin will fit into the niche on the motor and will help align the gears. Check to make sure the gears properly meshed together before starting the motor.

**CAUTION** The pot on this popper will become extremely hot when in use.

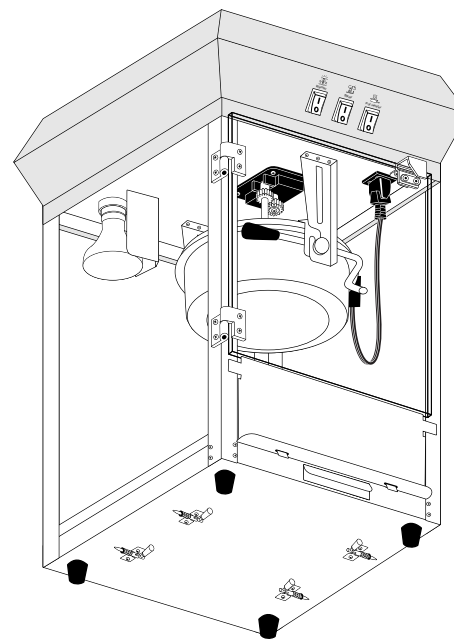
**DO NOT** Remove or install pot until it is completely cooled off.

**DO NOT** Load pot before installing or while hot. Avoid steam released from the pot. It can scald and cause severe burns.



**Note:** Hand bar should be on the door side facing you.

**KEEP CHILDREN AWAY FROM HOT POT!**



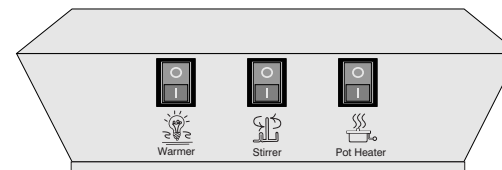
11. The last step is to plug the pot into the outlet located on the ceiling of the popper cabinet. Before plugging the pot into the cabinet outlet, make sure the pot is seated properly on the hangers, the gear shaft is properly aligned and all the switches are in the off position.

**NEVER plug the pot cord directly into a electrical outlet.**

- Note:** The upper cabinet is equipped with rubber feet and can be used separate from storage cabinet on a sturdy counter top.
- Do Not** place the popper near a heat source such as a stove or oven. Allow a minimum of 12” of open space on all sides.
- Do Not** place this unit near water or a water source.
- Do Not** use electric circuits that do not meet minimum requirement as specified.

**SUCCESS!**

Now that you have assembled your popper, you are ready to make popcorn the way it’s made in theaters and concessions everywhere. Below are instructions on how to operate your popper. Read them carefully to make yourself a popping expert. When operated correctly your popper will give you many years of service and happiness.



**WARMER**

The Warmer switch operates the light in the back left corner of the popper unit and the warming element in the bottom tray. The warmer can be left on for extended periods of time. The two elements work together to keep the popcorn fresh and warm. Ready to Eat!

**Warning:** Do not dump liquid toppings onto popped corn while in the popper. It will cause a huge mess and result in much clean-up time. Remove popcorn to a serving bowl before adding wet toppings.

**Stirrer**

The Stirrer switch operates the stirrer located inside the pot. Make sure it is free of obstruction and the axle gear and the motor gear are properly seated before turning the Stirrer switch on. If pot is not cleaned at appropriate intervals or recommended popping oils are not used, the bottom of the pot will gum with burnt oil and debris. If the stirrer sounds the least bit strained, switch off immediately and solve the problem.

**Pot Heater**

The Pot Heater switch operates the heating element in the bottom of the pot. (Kettle) It is engineered to deliver the perfect temperature for popping Popcorn. **It is extremely hot!** Care should be taken when in close proximity of the pot. When pot is hot use heat resistant gloves. Only touch the safety knob on the pouring handle.

# LESSON ONE: HOW TO MAKE GREAT POPCORN



Warmer

Stirrer

Pot Heater

1. We recommend using the **Superior Popcorn Co. Gourmet pre-measured portion packs** for **PERFECT POPCORN EVERY TIME!** No need to preheat the kettle, just cut off the top of portion pack and empty the contents into the kettle. (**Note:** Run warm water over the portion pack for a few minutes to loosen the oil portion.) If using other suitable ingredients, have pre-measured portions ready in advance. For best results use 3 tblsp. of coconut oil for every cup of popping corn.
2. Close lid and door.
3. Switch the Stirrer to ON so that it starts stirring. Switch the kettle heater to ON. You will hear the sizzle in just a few minutes.
4. Switch the warming tray and spot light to ON.
5. Popcorn starts popping out through the lid after about 3 to 4 minutes.
6. When popping action stops (no more popping sound from the pot), switch the Stirrer and Pot Heater to the OFF position. Popping is complete. Rotate the handle bar on the pot and pour out all remaining popcorn. Gently shake if necessary.
7. Pot Heater switch must remain OFF if the unit is not popping. Only the spot light and warming deck should be left ON, this will keep the popcorn warm, dry and tasty for a longer period of time.
8. Serve popcorn with the scoop provided. **Note:** Do not add butter or other liquid flavoring in main unit popcorn bin. Avoid a big mess! Remove popcorn to a suitable serving bowl or popcorn container before adding this type of flavoring.
9. Always remove plug from power supply before cleaning and if the unit is not being used for a period time.

**CAUTION: Pot, oil and popcorn are extremely hot. Escaping steam can cause severe scalding. Children are naturally attracted to the excitement of the popping event. Keep children well back out of harm's way.**

## LESSON TWO: KEEP YOUR KETTLE CLEAN!

When the shows over and everyone's left the theater it's time to clean your popper. A clean popper will give you the best tasting popcorn and many years of service.

If your kettle becomes caked with layers of burnt oil, we recommend you follow these procedures.

**Unplug the popper from the electrical source.** Pour a cup of ammonia into the kettle. Let the kettle sit overnight. For heavily burned kettles repeat the process. Thoroughly rinse and wipe clean. For light regular cleaning use dish soap. Only use mild synthetic scouring pads.

**Do Not submerge kettle in liquid.**

Clean glass with mild glass cleaner solution. Check label to make sure the product used are compatible

with food preparation equipment.

Vacuum out small debris left on the warming deck. Empty the "Old Maids" tray. Wipe the deck and tray with a sponge dipped in soapy water. Rinse sponge in clean water thoroughly. Sponge wipe until clean.

To avoid attracting pesky varmints, **DO NOT** leave food particles in your popper.

To minimize burnt kettles, use only **Superior Movie Theater** popping products. **Superior Popcorn All In One Tri-Packs** offers the perfect blend of high grade popcorn, high temp coconut oil and special butter flavoring.

Order at: [www.SuperiorPopcorn.com](http://www.SuperiorPopcorn.com).

## WARRANTY AND RETURN POLICY

Five Year Limited Warranty Superior Popcorn Company (SPC) popcorn machines are warranted to be free from defects in materials and workmanship for five years from the date of purchase. Within this period, Superior Popcorn Company will, at its sole discretion, repair or replace any components that fail during normal use. SPC popcorn machines are intended for residential and personal use only. This warranty does not apply to damage caused by abnormal or unreasonable use, including any repair or attempted repair by anyone other than a certified Superior Popcorn Company authorized service technician. Use of replacement parts that are not OEM parts, that cause incidental or consequential damages will void the warranty. Using this product for anything other than its original intended purpose or altering this product in any way will void this warranty.

If your SPC popcorn machines has a manufacturers defect covered by our warranty, we will either repair or replace it, at our option, without charge or refund. Such repairs, or items deemed to be eligible for replacement, will be made at no charge to the customer for parts or labor, provided that the customer shall be responsible for all shipping costs.

Beyond the initial 30 day period, this warranty does not apply to: **A.** cosmetic damage, such as broken glass, scratches, nicks and dents; **B.** consumable

parts, such as light bulbs, unless product damage has occurred due to a defect in materials or workmanship; **C.** damage caused by accident, abuse, misuse, water, flood, fire, or other acts of nature or external causes; **D.** damage caused by service performed by anyone who is not an authorized service provider of Superior Popcorn Company; or **E.** damage to a product that has been modified or altered without the written permission of Superior Popcorn Company. In addition, the original purchaser must provide proper proof of the original retail purchase and all other requested information to Superior Popcorn Company.

Please note that repair costs and handling charges may apply if any issue was found to be the fault of the end user. Please be prepared to provide the units serial number, if applicable, your return shipping address and a daytime phone number you can be reached at and proof of purchase.

Superior Popcorn Company retains the exclusive right to repair or replace with a new or newly-refurbished replacement machine or part. Replacement of product or offer of a full refund of the purchase price is at the sole discretion of Superior Popcorn Company. Such remedy shall be the sole and exclusive remedy for any breach of warranty. Do not return merchandise to Superior Popcorn without proper documentation. (RMA)

## CUSTOMER SERVICE

Customer service and product support are available on line at [www.Superiorpopcorn.com](http://www.Superiorpopcorn.com).



**ORDER HERE - COMPLETE LINE OF  
POPPING MACHINES AND SUPPLIES**  
[www.Superiorpopcorn.com](http://www.Superiorpopcorn.com)

© 2014 Superior Popcorn Co. All rights reserved.