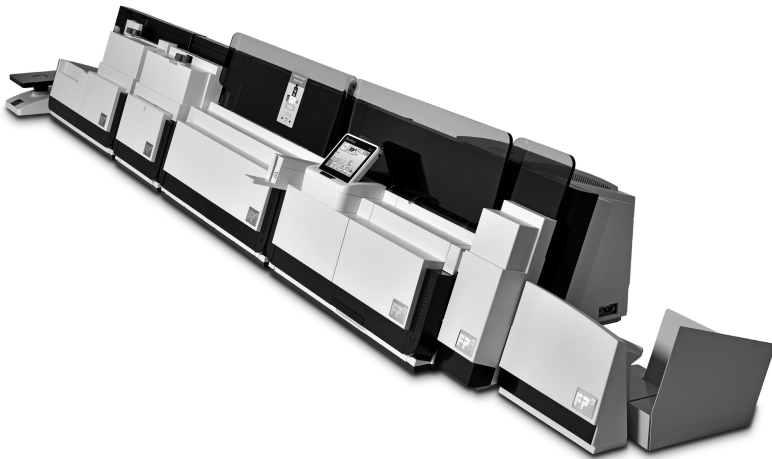




PostBase one

Mailing system



Operator Manual

About this Manual

This Operator Manual is directed at the users of the PostBase One mailing system.

Please read this operator manual before using the PostBase One mailing system. Please keep this manual near the system for quick reference.

This manual covers all configurations and equipment options of the PostBase One mailing system. Functions that are only available for particular system configurations are marked by an additional note, e.g. (*PostBase One Bulk Ink*).

Quick Reference Guide

The quick reference guide covers a selection of frequently used functions.

PostBase One

In this manual, the product name appears in its plain form 'PostBase One'.

Safety tips

The following keywords and signs identify the safety tips in this manual:



Warning! indicates a potential hazard that may result in injury or environmental damage.



Warning of hand injuries! This sign is also used to identify hazardous areas of the mailing system.



Caution! indicates a potential hazard that may result in damage to the mailing system or impair the metering process.

Text features and symbols

The following symbols and text features are used in this Operator Manual:

- Bullets precede instructions.
- Dashes precede list items.

Menu names and options from the operating menu are written in small capitals, e.g. MENU.



A tip offers advice or additional suggestions for improving the operation.

Illustrations

The display illustrations in this manual are general examples that may differ from the actual display on your PostBase One.

About this Manual	2
1 Safety tips	7
2 A short description of the PostBase One	9
3 The basics of operation	13
3.1 Turning the PostBase One on / off	13
3.2 Standby	14
3.3 Adjusting the display inclination	15
3.4 Setting the letter catch tray	15
3.5 Adjusting the feeder (<i>optional</i>)	16
3.5.1 Adjusting the letter path	16
3.5.2 Separation function	17
3.5.2.1 Recommended settings for separation (overview)	17
3.5.2.2 Adjusting the pressure	18
3.5.2.3 Adjusting the separation	19
3.6 Sealing function (<i>optional</i>)	21
3.7 Screen elements and operation philosophy	22
3.7.1 The touch screen	22
3.7.2 The Home screen	24
3.7.3 The Product Calculation menu	25
3.7.4 The Menu	26
3.7.5 Lists	27
3.7.6 Adjustment menus	27
3.7.7 Pop-up windows	29
3.7.8 Procedures (wizards)	29
3.8 Test print	30
4 Setting the meter imprint	33
4.1 Postage / USPS product	34
4.1.1 Setting a product via shortcut	35
4.1.2 Setting mailing data and weighing	36
4.1.2.1 PostBase One with static scale – normal weighing	36
4.1.2.2 PostBase One with static scale – differential weighing (<i>optional</i>)	38
4.1.2.3 PostBase One with dynamic scale (<i>optional</i>)	41
4.1.3 Setting the weight manually	43
4.2 Date	44
4.3 Advertising imprints	45
4.4 Imprint offset	46

5	Metering	47
5.1	Changing the user	47
5.2	Setting / changing the account	48
5.3	Positioning and metering letters	49
5.3.1	Hand feed tray	49
5.3.2	Feeder – batch processing (<i>optional</i>)	50
5.3.2.1	Preparations	50
5.3.2.2	Positioning letters in stack	52
5.3.2.3	Using the batch counter	53
5.4	Metering labels	55
5.5	Displaying and clearing down the item counter	58
6	Displaying and printing registers	59
7	Download postage	60
8	PostBase One with PC connection	61
9	Special imprints and functions	64
9.1	Postage correction	64
9.2	Redate	65
9.3	Reply Mail metering	67
9.4	Stamping incoming mail (<i>optional</i>)	68
9.5	Advert Only	70
9.6	Print Numbers	72
9.7	Feed Only / Count mail pieces	74
9.8	Seal Only (<i>optional</i>)	75
10	Account administration	76
10.1	Switch account administration on / off	76
10.2	Display account information	77
10.3	Set one account to zero	77
10.4	Set all accounts to zero	77
10.5	Print account report (<i>optional</i>)	78
11	Advanced settings & system information	80
11.1	System information	80
11.2	Display brightness	80
11.3	Tone signals	81
11.4	User interface language	82
11.5	Standby time	82
11.6	Product after Standby	83

11.7	Auto Off	84
11.8	Meter type	84
11.9	Connection to data center	85
11.10	View contact information	88
11.11	Access control / PIN	88
11.12	Auto Postage Download	89
11.13	Uploading product data	91
11.14	Authentication code for RemoteOne / ReportOne	92
11.15	Switch PC Software Mode on / off	93
11.16	Adjusting moistening (<i>PostBase One with sealer</i>)	94
11.17	Remote Services	95
11.18	Change ZIP / Re-authorization	95
12	Maintenance and care	96
12.1	Cleaning the PostBase One mailing system	96
12.2	Print system: show ink level / status	97
12.3	Changing the ink cartridges	98
12.4	Changing the print heads (<i>PostBase One Bulk Ink</i>)	103
12.5	Changing the ink tank (<i>PostBase One Bulk Ink</i>)	110
12.6	Aligning ink cartridges / print heads	113
12.7	Cleaning the print system	115
12.7.1	Starting automatic print system cleaning	115
12.7.2	Cleaning ink cartridges / print heads by hand	116
12.8	Replacing the ink fleece	118
12.9	Topping up sealing liquid (<i>PostBase One with sealer</i>)	120
12.10	Clean / replace the sponge (<i>PostBase One with sealer</i>)	122
12.11	Calibrating the touch screen	124
12.12	Replacing the battery	125
13	Tips for troubleshooting	127
13.1	Error messages	127
13.2	Possible causes and remedy	127
13.3	Clearing a letter jam in the feeder	137
13.4	Clearing a letter jam in the sealer	138
13.5	Safety cap has been released – letter transport stops	139
14	Decommissioning and disposing of the mailing system	140

Appendix

Graphical symbols, safety signs and product safety labels
on the PostBase One mailing system _____ 141

User interface symbols (overview) _____ 143

Moving the PostBase One to another location _____ 149

Glossary _____ 169

Technical Data _____ 171

 PostBase One – components _____ 171

 PostBase One – system configurations _____ 173

 PostBase One – equipment _____ 174

 Ink cartridges / Print heads / Ink tank _____ 175

 Mail piece specifications for metering _____ 176

 Envelope specifications for automatic feeding _____ 177

 Envelope specifications for sealing _____ 178

 Postage Meter supplies _____ 179

 The Security Device (PSD) _____ 179

License _____ 180

Security Declaration for data usage _____ 182

FCC Compliance Statement _____ 182

Index _____ 183

PostBase One mailing system (overview) _____ 190

Service _____ 195

1 Safety tips

PostBase One is a digital mailing system with ink-jet print technology for metering mail. PostBase One complies with the pertinent safety regulations for office information equipment.

Please observe the following tips for your own safety.

Prevention of electrical hazards

- Operate the PostBase One mailing system only on grounded single-phase power sockets. Make sure your office power supply conforms to the power requirements indicated on the serial number plates.
- Make sure the sockets for connecting the PostBase One mailing system are close by and easily accessible at all times.
- Pull the power plugs in case of an emergency. Call the Customer Service.
- Take special care that no foreign objects penetrate the mailing system's interior.
- Be extremely careful when handling liquids.
- If you fill the sealant tank, make sure not to wet any parts connected to the mains.
- Never cover the ventilation slots of the housing while the PostBase One mailing system is switched on.
- Pull the power plugs prior to cleaning the PostBase One mailing system.

Prevention of mechanical hazards

- Do not reach into the danger areas marked with safety signs.
- Keep long hair, fingers, loose clothing pieces, ties, shawls, jewelry and the like away from moving machine parts.
- Do not remove any parts of the housing.
- Do not remove any equipment related to safety or protection. Do not make them inoperative or unable to function. In case of an error (jam or unauthorized interference), the safety cap – a small part of the housing located at the letter exit of the postage meter – is released and the transport stops. You have to bring the safety cap back into position before you can go on using the PostBase One. By no means must you try to block or fasten the safety cap.

Accessories and consumables

- We recommend to use only approved FP equipment and FP original parts. The manufacturer FP has established reliability, safety and applicability. The manufacturer cannot assess the reliability, safety and applicability for products not approved by FP, and therefore not vouch for such products. The full functioning of the PostBase One mailing system at the time of delivery can only be guaranteed when using original Francotyp-Postalia ink cartridges / print heads and ink tanks.
- Only use the power supply unit (PSU) supplied with the sealer or one that has been approved by Francotyp-Postalia. Make sure that the power supply unit and its cables are not damaged.
- Ingestion of the ink can be hazardous to health. Avoid contact with the eyes. Keep the ink cartridges / print heads and ink tanks away from children. Further instructions for use are enclosed with the ink cartridges / print heads and ink tanks.
- Use the supplied cables or cables that have been approved by Francotyp-Postalia. Make sure that cables are not damaged.
- We recommend to use only the batteries provided by Francotyp-Postalia. The manufacturer FP has established reliability, safety and applicability. Observe the instructions enclosed with the battery for correct use and disposal.

General safety tips

- Installation and commissioning of the PostBase One mailing system have to be done by qualified personnel authorized by Francotyp-Postalia.
- Do not use attached parts like the hand feed tray, the protective glass, the display, or the label dispenser as 'handles' during transport. The best way to handle the components is to hold them at the lower part of the housing at the clearance normally used for the housing connectors.
- If you wish to dismantle, pack, transport, and reinstall the PostBase One mailing system on a new location, observe the specific notes on page 149.
- The PostBase One mailing system is not intended for use in the immediate vicinity of a VDU workstation. To prevent distracting reflections on a VDU workstation, this product must not be placed in the immediate field of vision.
- Have maintenance and repair work done only by qualified personnel authorized by Francotyp-Postalia. Otherwise, your warranty may become void.

2 A short description of the PostBase One

PostBase One is a digital mailing system for medium to high mail volumes featuring a touch screen.

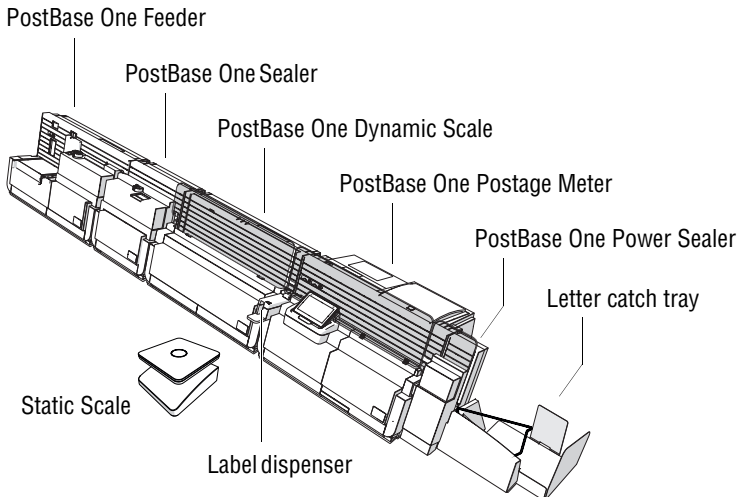
With its distinctive feature, the vertical letter transport, it can automatically process mail pieces of all sizes – ranging from a post card to letters ISO B4 with a thickness of up to 0.8" (20 mm).

The reliable ink-jet technology delivers clean meter imprints.

Modular concept

The modular concept allows for a flexible adaptation of the mailing system to the type and amount of your outgoing mail. The basic version, consisting of the PostBase One postage meter with hand feed tray, the static scale, and a letter catch tray, can easily be extended using components for automatic feeding, moistening / sealing, and dynamic weighing.

The PostBase One mailing system comes in two variants: with a processing speed of up to 120 letters per minute and up to 150 letters per minute.



Intuitive operation The PostBase One mailing system is characterized by intuitive operation: You switch the entire mailing system on or off by simply pushing the rocker switch. For all other operations, the clearly designed user interface in the 4.3 inch color display guides you fast and easy to the desired results.

Metering The Home screen shows all relevant information on the metering process at a glance. You simply select a postal product and position the mail piece – PostBase One will seize the letter and meter it, after which it is exited to the right side ready for dispatch. Metering is possible on letters and postcards made of ink-absorbing material and special self-adhesive labels.

Letters as advertising medium In addition to printing postage, you can print up to two advertising imprints of your choice on every mail piece you send. Advertising imprints may be graphical adverts / logos or SMS text messages.

RemoteOne For an even more user-friendly operation of the PostBase One mailing system via PC, use the RemoteOne software that is downloadable on our website. In addition to its ease of use, RemoteOne offers an extended functionality, e.g. setting your frequently used postal products as shortcuts and entering / editing text messages.

Download postage You conveniently download the postage for metering online from the data center into your mailing system. If desired, PostBase One can also, by itself, make sure there is always sufficient postage available and prompt you automatically to download postage.

Remote Services: flexible and up to date PostBase One ensures you are always using the current USPS postal rates. Whether new postage rates, new adverts or a software update – the mailing system downloads current data from the data center.

Additional functions

The PostBase One mailing system offers a range of convenient additional functions. Among these are:

- The external **static scale** quickly and reliably determines the weight for mail pieces of up to 7 kg (15 lb). The determined weight directly affects the product settings.
- **Shortcut function** for frequently used postal products.
- **Account function** for separate registration and billing of postage costs.
- **Access control** – The PostBase One can be protected against unauthorized use via a PIN.
- **Label dispenser** to print self-adhesive labels, for large or thick mail pieces or for envelopes that are not suited for ink-jet printing.
- **Print lists** of register states and loading report.
- Variable **imprint offset** for changing the meter imprint position on the envelope.

Options

The following options are available to extend the base model and its range of functions:

- **PostBase One Feeder**. Separates the letters individually from the stack and transfers them to the postage meter. Letters can be added during operation.
- **PostBase One Sealer** – for mail pieces with a thickness of up to 0.28" (7 mm). The envelope flap is moistened in the sealer module and firmly pressed down in the power sealer.
- **PostBase One Dynamic Scale**. The dynamic scale (for mail pieces up to 2 lb) detects the weight and size of the mail piece while transporting it to the postage meter. Both values are transmitted to the postage meter, which automatically determines the correct product setting – this is especially useful for handling of mixed mail.
- **Differential weighing** – a special weighing mode of the static scale that helps you save time when weighing and metering large amounts of similar mail pieces.
- **Incoming mail stamp** for registering incoming mail.

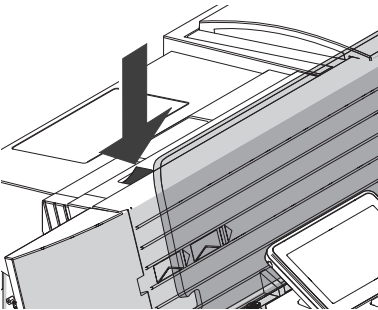
- Further options*
- **ReportOne** – In addition to RemoteOne's entire functionality, ReportOne offers easy to handle administration and report features.
 - **MailOne 2.0** – Integrated Mailing and accounting software for PostBase Mailing Systems. This software package features, amongst others, Commercial Base Pricing discounts, unlimited 3-tier accounting, USPS tracking, comprehensive reporting, electronic certified / return receipt processing & tracking.

3 The basics of operation

In this chapter you will learn about the basic functions of the PostBase One mailing system and how to handle the touch screen.

3.1 Turning the PostBase One on / off

The PostBase One mailing system can remain connected to mains all the time to ensure it is always ready for use. Use the rocker switch to turn the mailing system ON and OFF.



Turning on

- Press the rocker switch for about one second.

The display lighting switches on. The PostBase One performs a self test and then displays the Home screen.

Depending on the setting, you are prompted to choose a user and enter the PIN.

Turning off

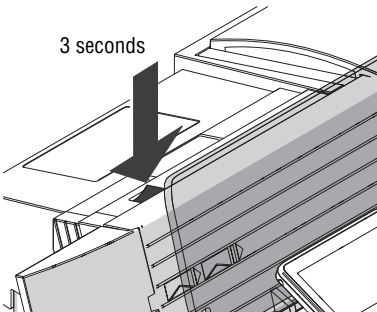
- Press the rocker switch for three seconds.

The PostBase One will complete any current actions and then switches off. The display light goes out.

Disconnecting the PostBase One from mains

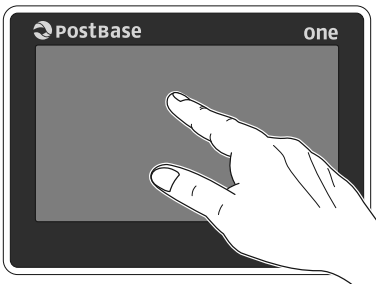


Caution! Make sure to always turn the PostBase One off by pressing the rocker switch for three seconds before disconnecting the PostBase One from mains. Never pull the power plug or separate the power supply in any other way before the printing system has reached its sealed position. This is the only way to prevent drying up and to ensure a permanently high print quality.



- Press the rocker switch for three seconds to turn the mailing system off.
- Unplug the power cable from the socket.

3.2 Standby

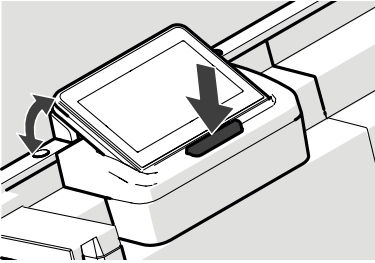


The PostBase One mailing system will go to standby automatically if it is not used for some time.

The display is dark in standby.

You can 'wake up' PostBase One by briefly touching the display. Alternatively, you can briefly press the rocker switch.

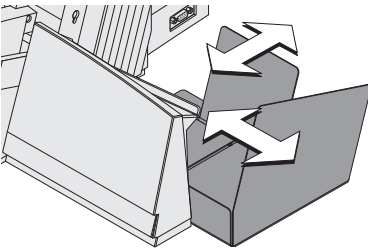
3.3 Adjusting the display inclination



- Press the key below the display and set the display in the desired position. The adaptation mechanism features several catches.
- Release the key.

3.4 Setting the letter catch tray

The catch tray can be adapted to different envelope sizes – up to ISO B4 (10" x 14" / 250 x 353 mm).

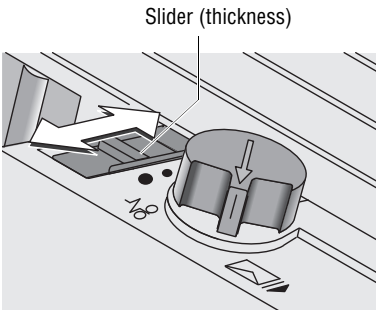


- Adjust both catch brackets so that the metered mail pieces easily slide into the catch tray and are neatly stacked.

3.5 Adjusting the feeder *(optional)*

3.5.1 Adjusting the letter path

You always have to adjust the feeder according to the thickness of the letters being processed. With the slider (thickness) you adjust the letter path of the separation to the thickness of the letters. Thereby, you avoid too many letters being fed at once. There are three settings possible: narrow, medium and wide letter path.



- Release the slider “thickness” by pressing down slightly and move it to appropriate position.

Letter path – possible settings and their meaning:

- | | |
|----------------------|---|
| Narrow letter path ● | to process thin letters up to a thickness of 0.08" (2 mm) |
| Medium letter path ● | to process letters of medium thickness 0.12" to 0.2" (3 mm to 5 mm) |
| Wide letter path ● | to process letters of a thickness more than 0.2" (5 mm) |
-

3.5.2 Separation function

In most cases, you can use the **default setting**. In case of letters with 'critical' demands for separation, you can adjust the feeder easily.

In the following cases, an adjustment is recommended:

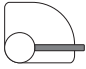
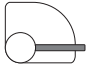
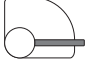


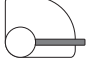


- very thick letters
- very heavy letters
- thin, unstable letters
- letters with sensitive surfaces.

These 'critical' letters constitute only a small fraction of the whole amount of letters processed.

Not processable:

- very soft and unstable letters
- rigid letters (books, catalogues etc.).

3.5.2.1 Recommended settings for separation (overview)

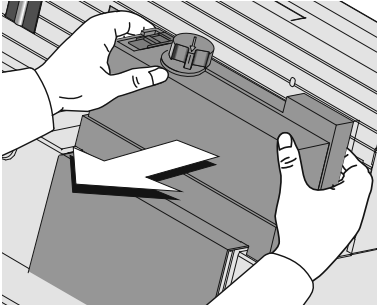
Setting	Left lever (separation)	Right lever (pressure)
1 Soft and unstable letters		
2 Thick letters 0.28" (7 mm) and more		
3 Default setting (recommended)		
4 Very heavy letters with strong stiffness		

3.5.2.2 Adjusting the pressure

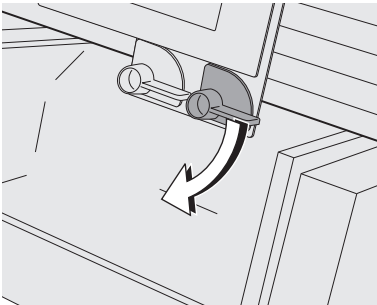
The pressure needs only adjustment if problems occur while processing letters.

Typical cases:

- exceptionally thick or heavy letters are not drawn in
- the gap between letters drawn in is too large.



- Remove the cover from the feeder using both hands.



- Turn the right lever to appropriate position.

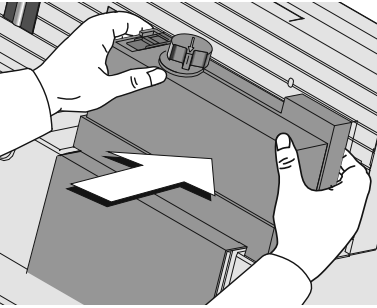
Pressure – possible settings and their meaning:



default setting



increased pressure
(stronger driving for thick and heavy letters)



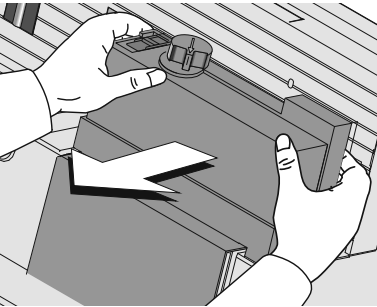
- Re-place cover on feeder. The cover must latch audibly.

3.5.2.3 Adjusting the separation

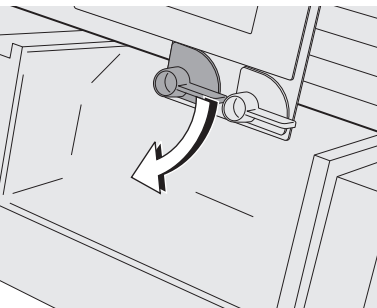
The separation needs only adjustment if problems occur while processing letters.

Typical cases:

- soft, unstable letters and letters with sensitive surfaces are damaged
- large, unsealed letters are bent during processing.



- Remove the cover from the feeder using both hands.



- Turn the left lever to appropriate position.

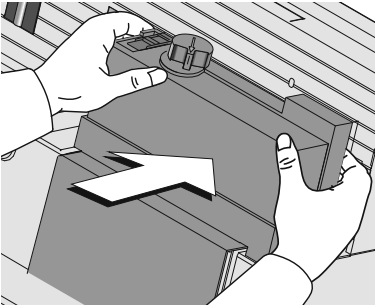
Separation – possible settings and their meaning:



decreased separation
(if sensitive letters are being damaged)



default setting



- Re-place cover on feeder. The cover must latch audibly.



If you have to adjust the pressure and the separation regularly:

There is a special cover with an aperture for direct access to the levers available. Removing that cover is not necessary.

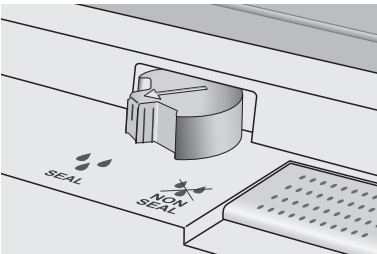
For questions regarding the refitting of your automatic feeder, please contact the Customer Service.

3.6 Sealing function *(optional)*

When equipped with the optional components sealer and power sealer, PostBase One can meter and seal your mail in a single run. Coming from the feeder, the mail pieces pass through the sealer. In the sealer, the sealing flap of the envelope is moistened by a sponge. The flap is then closed and sealed as it passes through the system. After metering, the mail piece is ultimately closed by the power sealer.


You can use the sealing function for letters with a thickness of up to 0.28" (7 mm). The envelopes must be suitable for machine sealing (see page 178). Also, please mind envelope quality.

Please note that we can assure reliable sealing results only when you use Francotyp-Postalia 'sealit' sealing liquid.



Sealing

If the letters are to be sealed:

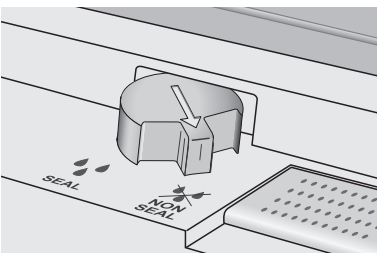
- Turn the envelope sealing switch to the position  **SEAL**.

PostBase One monitors the level in the sealant tank. You are notified when you have to top up the sealing liquid.

On how to fill the tank, please refer to chapter 12.9 on page 120.



If you have not used the sealing function for a certain amount of time, sealing liquid is automatically pumped into the moistener. Thus, PostBase One makes sure the sponge is properly wetted. In the SEALING menu, you can set the optimal moistening level for the envelopes you use (see chapter 11.16, page 94).



No sealing

If the letters are not to be sealed (or if they are already sealed):

- Turn the envelope sealing switch to the position  **NON SEAL**.

3.7 Screen elements and operation philosophy

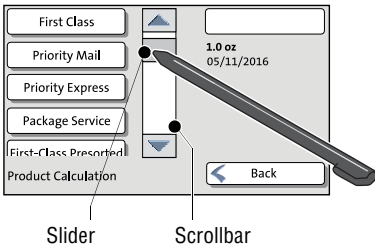
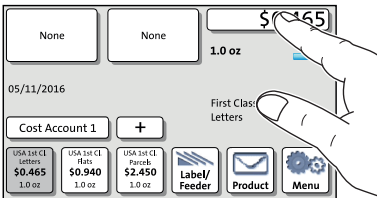
This chapter covers the user interface of the PostBase One mailing system. You will learn how to operate the touch screen, the screen elements and the menus, window types and symbols.

3.7.1 The touch screen

To operate the touch screen, simply touch the screen elements with your finger.

General operation philosophy

You briefly touch the desired screen element (in the example: the postage button) with your finger. PostBase One performs the corresponding action.



You can operate scrollbars with the arrow buttons or by touching the slider and moving it. The setting is updated when you lift your finger off.



You can also use the supplied stylus instead of your finger. The stylus is stored in a receptacle on the back of the display.

Buttons

You distinguish buttons from the screen background by a shadow. They can have various states, depending on the function:



Button can be pressed / is active.



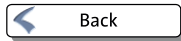
Button is selected / passive (cannot be pressed).



Confirmation: Button is being pressed.



Button is deactivated / cannot be pressed.

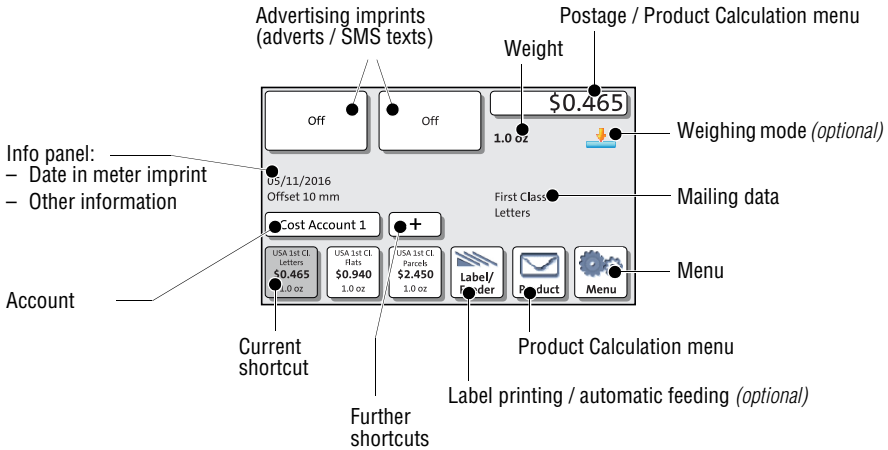
Standard buttons

The term 'standard button' refers to buttons like for example SAVE, CANCEL, BACK or CONTINUE.

Depending on the function, the button label can differ. The CANCEL / BACK button (if available) is always located in the bottom right corner of the screen and goes back one step / level.

3.7.2 The Home screen

The Home screen appears after the machine was turned on and the start routine has been successfully completed. It displays the current metering settings.



Functions in the Home screen

- In the Home screen,
- you have access to all meter imprint settings
 - you meter your mail pieces
 - you can weigh your mail pieces
 - you can open the Menu
 - current settings are displayed.

Operation philosophy

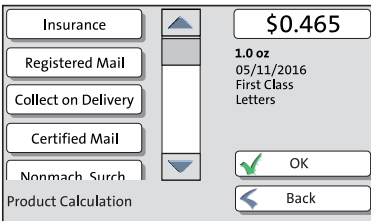
A function can be edited or selected by simply touching its button. Depending on the respective function, the PostBase One opens a list, an adjustment menu or a menu offering further options. In the chapters to follow, you will be introduced to each of the menu and window types and their operation.

3.7.3 The Product Calculation menu



Calling up the Product Calculation menu

By pressing the PRODUCT button, the Product Calculation menu is opened. Here, you set the product for the meter imprint.



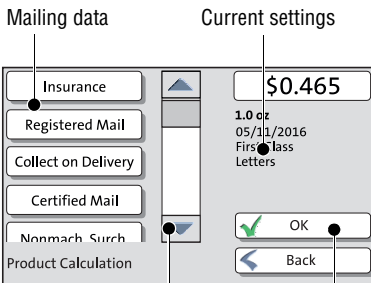
The left area of the display shows the available mailing data.

You can scroll the list with the scroll bar if more than four options are available.

The right area of the Product Calculation menu shows the current settings:

- the postage
- the weight
- the date
- the selected mailing data.

The postage and the OK button only appear if all necessary mailing data were selected.



Other mailing data:
scroll with scroll bar

Accept current settings and return to Home screen

Selecting mailing data

By pressing the respective buttons, you select mailing data. The PostBase One guides you through the postage calculation process step by step.

Press OK to accept the current settings and to return to the Home screen.

Deselecting mailing data

With the BACK button, the mailing data can be deleted step by step from the current product settings.

Setting the product for metering

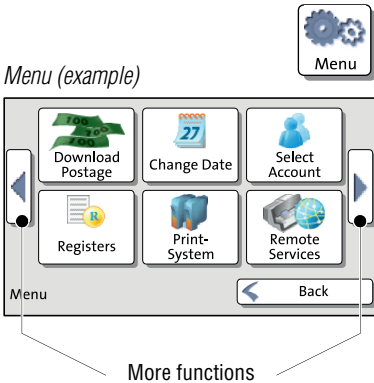
Cancelling the Product Calculation menu

Returning to the Home screen

With the OK button, you set the current selected mailing data for metering and return to the Home screen.

Pressing the BACK button repeatedly deletes the mailing data step by step. By pressing the button again after having deselected all mailing data, you will cancel the product calculation. The product set last remains set in the Home screen.

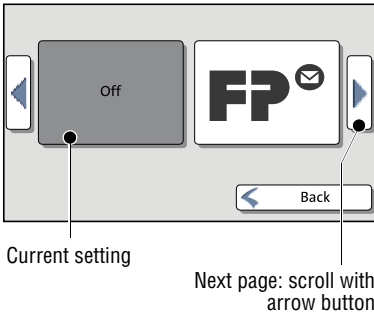
3.7.4 The Menu



Use the MENU button to open the Menu. From this Menu, you can access the administration functions, the system settings, and service functions.

Use the arrow buttons to scroll to the next page and back in the Menu.

3.7.5 Lists



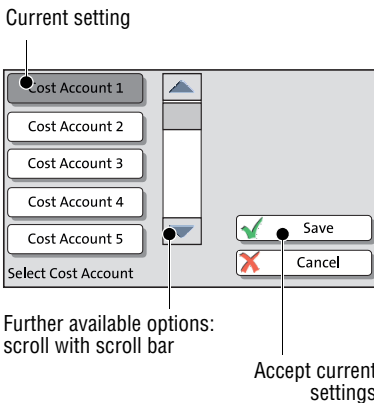
Lists (e.g. for adverts, SMS texts) offer all available settings in list form. The current setting is shown on a dark background.

Use the arrow buttons to scroll through the list.

Press the respective button to select one of the provided settings and return to the Home screen.

3.7.6 Adjustment menus

A separate menu each opens for editing and selecting settings. There are several types of adjustment menus, e.g. lists to choose the settings from, input via keypad, and input according to the counter principle.



Lists

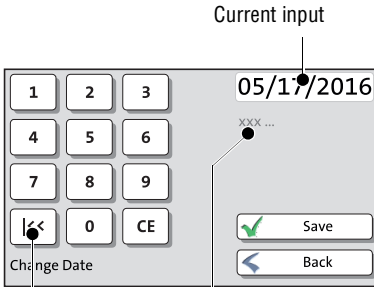
The left area of the display shows the available settings. The current setting is shown with a dark background.

You can scroll the list with a scroll bar if more than four options are available.

Press SAVE to accept the current settings and to quit the adjustment menu.

Press CANCEL to discard your changes and to quit the adjustment menu.

Note: Some lists feature auto-confirmation. Accounts are set directly after pressing the respective button, for example.



Current input

Info text (if any)

Button assigned according to function (here: reset to current date)

Input via keypad

Use the keypad in the left area of the display to input values. The top right text box indicates your input.

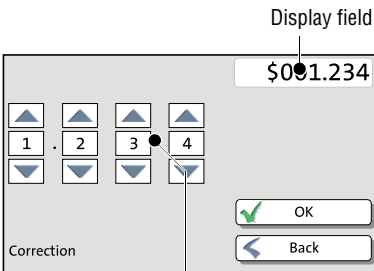
The keypad is always matched to the respective situation: The button labels change accordingly, depending on whether you must type figures or figures and letters.

The bottom left button is assigned a special function matched to the current operation, e.g. change between small and capital letters. The info text informs of special features and gives additional hints.

Press CE to clear input.

Press SAVE to accept the current settings and to quit the adjustment menu.

Press BACK (resp. CANCEL) to discard your changes and to quit the adjustment menu.



Display field

Setting an amount with the arrow buttons

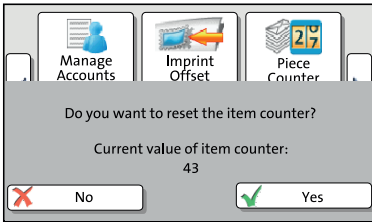
Input using the counter principle

PostBase One may require you to enter values via a counter principle.

Use the arrow buttons to increase or decrease the figure in each digit until the desired amount is displayed in the top right text box.

Press OK to accept the current settings.

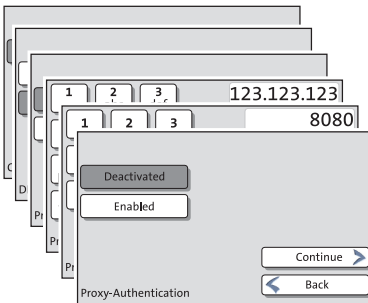
3.7.7 Pop-up windows



For some settings, a window covering parts of the current window opens (pop-up window). The pop-up prompts you for an action. Messages and the batch processing feature also appear as a pop-up.

Some pop-up messages feature auto-confirmation, i.e. they automatically close after some time.

3.7.8 Procedures (wizards)



For more complex settings, e.g. when setting up connection data, the PostBase One opens a 'procedure', guiding you through all necessary actions step by step. Different window types are used, depending on requirements.

Press CONTINUE to accept the current settings and to go to the next step.

You can press BACK to return to previous steps.

Pressing BACK at the beginning of the procedure will discard all settings and close the procedure.

3.8 Test print

Using a test print, you can assess the settings for the meter imprint as well as the print quality.

Your advert
or
text message



Test print (example)

The indication VOID overprinting the data matrix symbol as well as the postage value '\$000.00⁰' identify the test print as an invalid meter imprint.

You must never dispatch test prints to the USPS.

Test prints are not logged in the registers.

Setting a test imprint

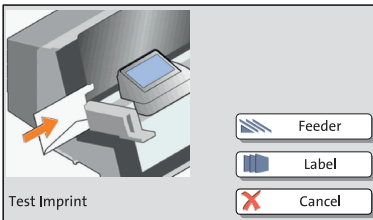
- Set the desired parameters for the meter imprint (advert, SMS text etc.).
- Press the PRODUCT button in the Home screen.
- Set the desired product.

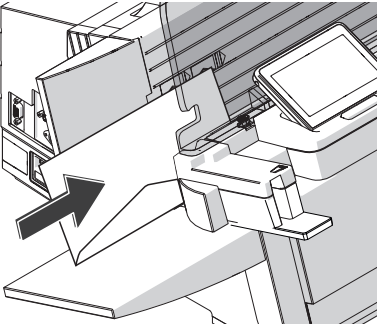


Once all necessary mailing data are set, you can perform a test print. The TEST PRINT PRODUCT option is shown at the end of the additional services list.

- Choose TEST PRINT PRODUCT.

PostBase One prompts you to position a letter.

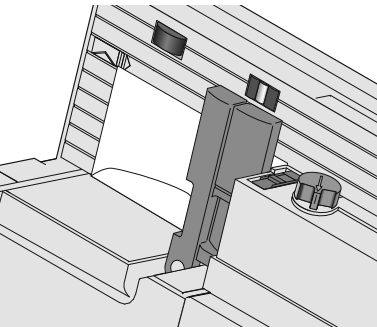


PostBase One with hand feed tray

Printing the test print on an envelope

- Place an empty envelope (or a post card) on the hand feed tray:
 - The side to be printed faces the back.
 - Envelope flap to the bottom (envelope stands on its upper edge).
- Push the envelope a few centimeters in the direction of the arrow and let go of it.

Letter transport starts automatically as soon as the sensor recognizes the envelope. PostBase One automatically feeds the envelope, prints a test print, and exits the envelope to the right side.

PostBase One with feeder

Positioning an envelope on the feeder (optional)

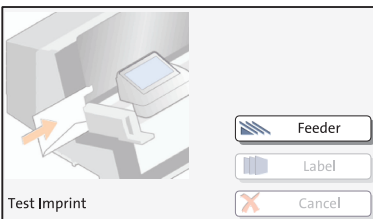
- When PostBase One prompts you to position a letter, place an empty envelope (or a post card) on the feeder:
 - The side to be printed faces the back.
 - Envelope flap to the bottom (envelope stands on its upper edge).

The feeder starts automatically. PostBase One feeds the envelope, prints a test print, and exits the envelope to the right side.

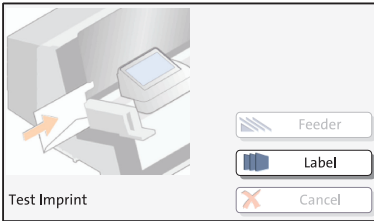
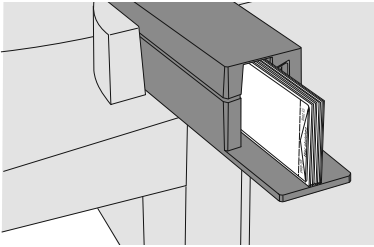
Or:

If an envelope has already been positioned at the feeder:

- Start the feeder with the FEEDER button.



For detailed information on how to position letters on the feeder, please read page 52.



Printing the test print on a label

- Insert labels in the label dispenser. For details, please read chapter 5.4 on page 55.

- Press the LABEL button.

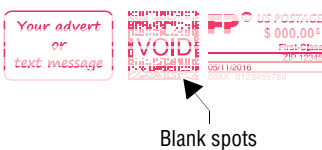
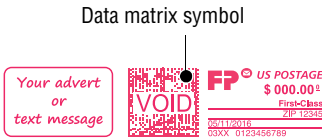
PostBase One prints the test print on a label and discharges the label to the right.

Checking the print quality

Make sure the PostBase One always provides clean and legible meter imprints.

- Check the print quality. There must not be any offsets, blurred or blank spots. Pay special attention to the data matrix symbol.

This illustration shows a perfect imprint.



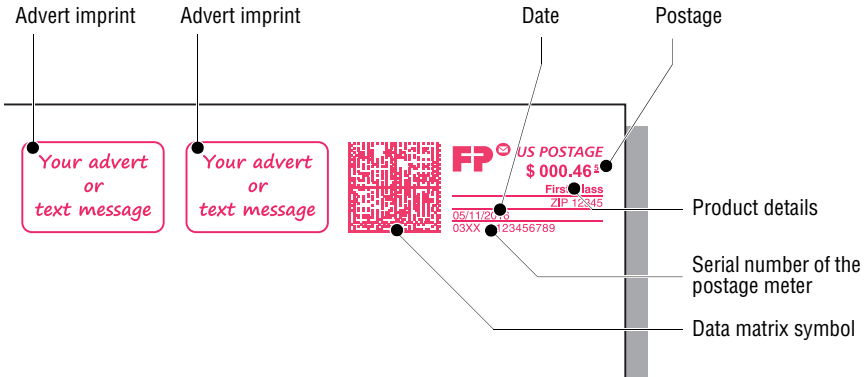
When there are offsets / shifts in the imprint:

- Align the ink cartridges. Read chapter 12.6 on page 113.

When there are blurred or blank spots in the imprint:

- Clean print system. Read chapter 12.7 on page 115.

4 Setting the meter imprint



This chapter describes the required settings for metering and additional possible advertising imprints:

- Postage / USPS product (see chapter 4.1)
- Date (see chapter 4.2)
- Advert imprints (see chapter 4.3).

Refer to chapter 4.4 on how to use the 'imprint offset' function to laterally displace the meter imprint position.

Refer to chapter 9 on how use correction imprints for already metered mail pieces, and on how to meter reply mail.



For information on how to use PC software from Francotyp-Postalia to set the meter imprint (e.g. RemoteOne), please refer to the manual provided with the software.

4.1 Postage / USPS product

PostBase One sets the postage, i.e. the price for the postal product using the chosen mailing data (destination, type, mail piece dimensions, and additional services if applicable), in conjunction with the displayed weight.

Step by step, you simply select the mailing data in the Product Calculation menu. Depending on the system configuration, weighing is available via the static scale and/or the dynamic scale.

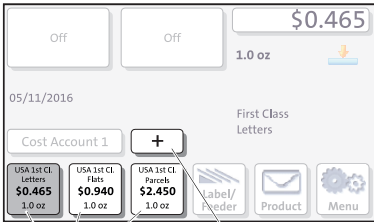
The different ways to set the product are described below:

- The easiest way to set the product is via shortcut. Refer to chapter 4.1.1.
- When using the static scale, you simply select the mailing data from the Product Calculation menu, then place the mail piece on the weighing platform. Refer to chapter 4.1.2.1.
- For information on how to use the differential weighing function of the static scale (*optional weighing mode for systems without dynamic scale*), please read chapter 4.1.2.2.
- When using PostBase One with the dynamic scale, the weight and size – depending on the settings in the Product Calculation menu – are determined while transporting the mail piece through the scale. The results are transmitted to the postage meter. Refer to chapter 4.1.2.3.
- Should no scale be available on your mailing system, enter the weight manually. Refer to chapter 4.1.3.

Note: The examples in this manual show actual postal products. In case the USPS changes their products / services on short notice, corresponding software updates to the rate table will be made available to the mailing system in time. However, this does not apply to the documentation delivered with you mailing system.

4.1.1 Setting a product via shortcut

You can directly view and retrieve three products in the Home screen at the touch of a button. Optionally, there are up to 20 shortcuts available which you can access via the **+** button. The postage meter comes ex factory with typical postal products stored as shortcuts. Upon activation of a new rate table, the shortcuts will be updated automatically.



Shortcut buttons

More shortcuts

- Press the desired shortcut button.

If necessary:

- Weigh the mail piece.

The product with the related postage is set for metering.

Further shortcuts

- In the Home screen, press the **+** button.

PostBase One opens a list with all available shortcuts.



You can re-assign the shortcuts using the PC software from Francotyp-Postalia for managing the PostBase One mailing system (e.g. RemoteOne). For details on managing shortcuts, please read the manual that comes with the software.

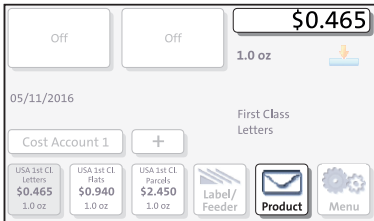
4.1.2 Setting mailing data and weighing

4.1.2.1 PostBase One with static scale – normal weighing

This chapter describes setting the postage when using the static scale in standard weighing mode.

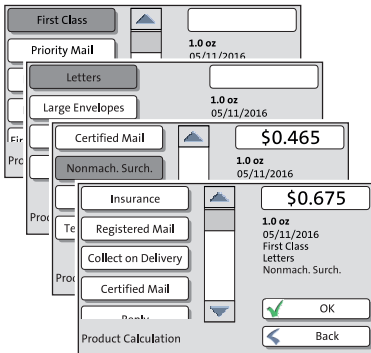
If the 'differential weighing' option is available on your mailing system, the currently set weighing mode is shown on a button to the right of the weight.

Please read page 38 on how to set the weighing mode.



Select mailing data

- In the Home screen, press the PRODUCT button.



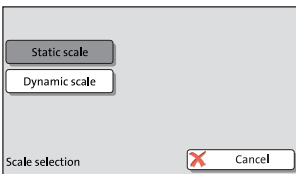
PostBase One opens the Product Calculation menu and prompts you for all required details regarding the mail piece.

- Select the respective desired setting by pressing the corresponding button.

The selected mailing data appear to the right in the display. The postage appears as soon as all necessary mailing data have been selected.

When the desired mailing data are set:

- Press OK to return to the Home screen.



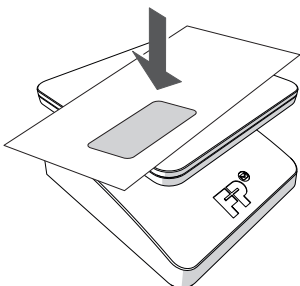
On mailing systems with a static and a dynamic scale, you may have to specify during the product calculation that you want to weigh the mail piece with the static scale.

Weigh mail piece / set weight



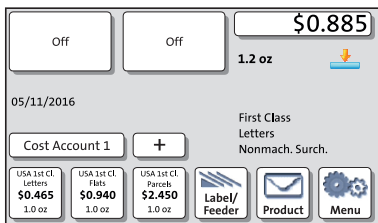
Caution! Please observe the following notes on handling the static scale:

- Please observe the permissible maximum weight of 15 lb.
- The scale only determines a new weight if it was emptied before. Therefore, always empty the weighing platform prior to putting on a mail piece for weighing.
- The scale does not determine a new weight while the letter transport is running. Wait until the letter transport stops before placing a mail piece to weigh.



- Place the mail piece on the weighing platform.

A tone signal indicates that the scale has determined the mail piece's weight.



The weight determined by the scale is now set. PostBase One sets the postage based on the displayed weight and the selected mailing data.



With the static scale, you can weigh the mail pieces in the Home screen and the Product Calculation menu as well.

4.1.2.2 PostBase One with static scale – differential weighing *(optional)*

This chapter describes the operation and particularities when weighing and metering using the optional differential weighing mode.

PostBase One supports differential weighing with the static scale.

This function helps you to conveniently and easily weigh and meter large amounts of similar mail pieces. You simply place a letter stack on the static scale and remove one letter at a time. PostBase One determines the weight change and sets the appropriate postage.

This option is not available on mailing systems with dynamic scale.

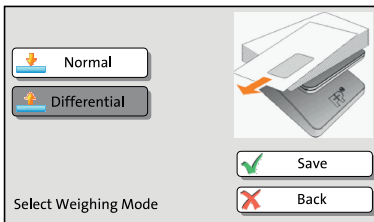
Set weighing mode

In the Home screen:

- Press the button next to the weight.



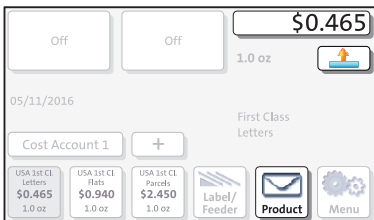
- Select the weighing mode: NORMAL or DIFFERENTIAL.
- SAVE the shown setting to return to the Home screen.

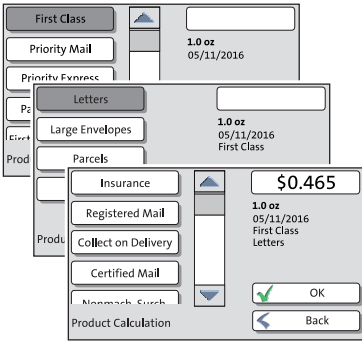


The weighing mode is set. The button in the Home screen shows the corresponding icon.

Select mailing data

- In the Home screen, press the PRODUCT button.





PostBase One opens the Product Calculation menu and prompts you for all required details regarding the mail piece.

- Select the respective desired setting by pressing the corresponding button.

The selected mailing data appear to the right in the display. The postage appears as soon as all necessary mailing data have been selected.

When the desired mailing data are set:

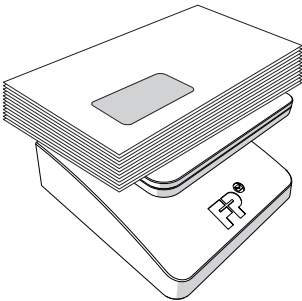
- Press OK to return to the Home screen.

Differential weighing



Caution! Please observe the following notes on handling the static scale:

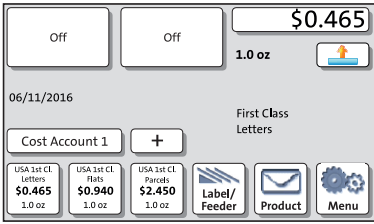
- Please observe the permissible maximum weight of 15 lb.
- The scale does not determine a new weight while the letter transport is running. Wait until the letter transport stops before placing a mail piece to weigh.



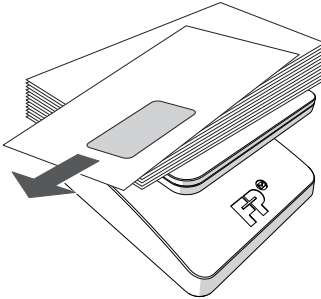
In the Home screen:

- Place the letter stack or a box with letters on the weighing platform.

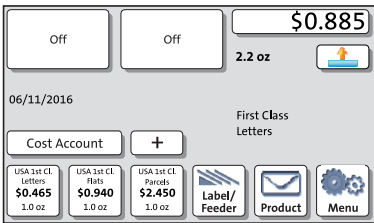
Two short tone signals indicate that the scale has recognized that a load was placed on the platform.



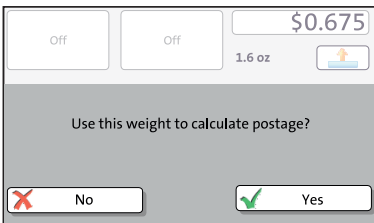
The Home screen still shows the old weight and the old postage.



- Remove one letter from the stack or from the box.



- PostBase One determines the change in weight and calculates the postage value.
- Meter the letter as usual.
- Handle the remaining letters in the same way.



When you empty the weighing platform, PostBase One asks you if the set weight is to be used.

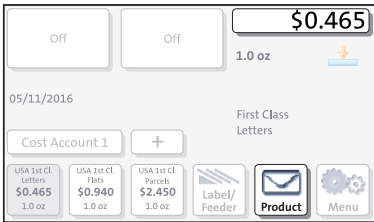
- Acknowledge with YES to meter the last letter of the stack.

Or

- Press NO to discard the displayed weight (e.g. because you removed the empty box last). PostBase One does not determine a postage value.

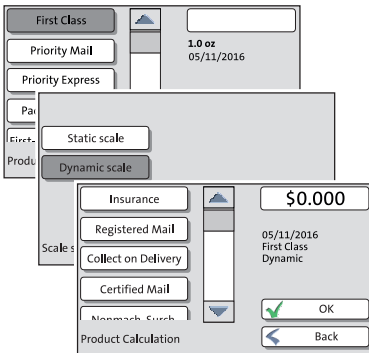
4.1.2.3 PostBase One with dynamic scale *(optional)*

This chapter describes setting the postage using the dynamic scale. The dynamic scale detects the weight and size of the mail piece while transporting it and transmits them to the postage meter to set the postage. For this purpose, dynamic weighing must be activated for the relevant product. Please also observe the permissible maximum weight of 2 lb for the dynamic scale.



Select mailing data

- In the Home screen, press the PRODUCT button.



PostBase One opens the Product Calculation menu and prompts you for all required details regarding the mail piece.

- Select the respective desired setting by pressing the corresponding button.

For products where dynamic weighing is available (e.g. letters), PostBase One will open an adjustment menu during the product calculation to select a scale.

- Select DYNAMIC SCALE to detect size and weight for each mail piece to calculate the postage.
- If necessary, select further mailing data / special services.

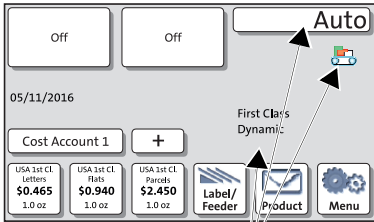
The selected mailing data appear to the right in the display.

When the desired mailing data are set:

- Press OK to return to the Home screen.




Note: If the ‘Scale selection’ menu does not appear during product calculation, you can only weigh the mail pieces with the static scale or enter the weight manually. In these cases, the dynamic scale only transports the letters.



Dynamic scale is active

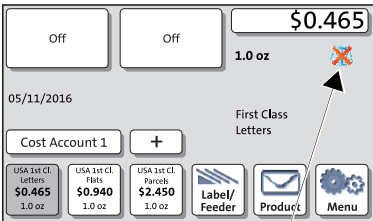
Dynamic weighing

The  icon in the Home screen signals that the dynamic scale is active. Instead of the postage value, **Auto** appears.


Only after batch processing starts – when the dynamic scale detected weight and size of the mail piece – the postage value appears.

4.1.3 Setting the weight manually

PostBase One offers the possibility to set the weight manually for product calculation.



No scale available

If no scale is available, PostBase One shows the  icon in the Home screen.

In this case, you have to enter the weight for postage calculation manually in the Product Calculation menu.

Enter weight

- In the Home screen, press the **PRODUCT** button.



PostBase One opens the Product Calculation menu.

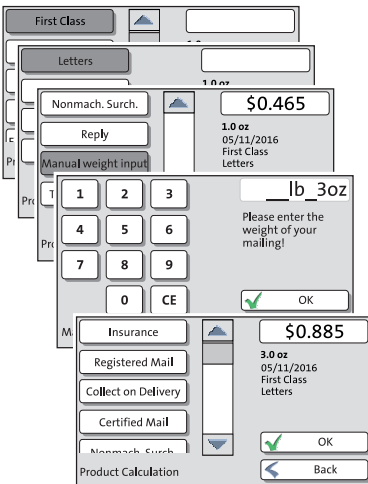
- Set the desired mailing data.
- Select the **MANUAL WEIGHT INPUT** option.

PostBase One opens the adjustment menu for entering the weight.

- Enter the weight.
- Confirm with **OK**.

PostBase One uses the entered weight to calculate the postage.

- Press **OK** to confirm the displayed product settings and return to the Home screen.

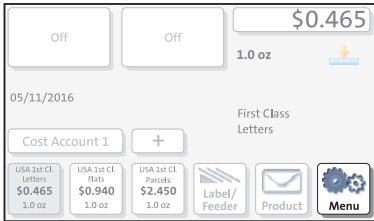


4.2 Date

The date for the meter imprint is set automatically to the current date by the system clock. You can forward the date for the meter imprint.

The PostBase One rejects invalid input, e.g. a metering date too far in the future or redating.

The currently set date is displayed the info panel in the Home screen.



Setting the metering date

In the Home screen:

- Press the MENU button.



- Select CHANGE DATE.

PostBase One opens the adjustment menu for the metering date.

- Type the desired date.
- SAVE the displayed date.

The new metering date is set. The info panel in the Home screen shows the current setting.



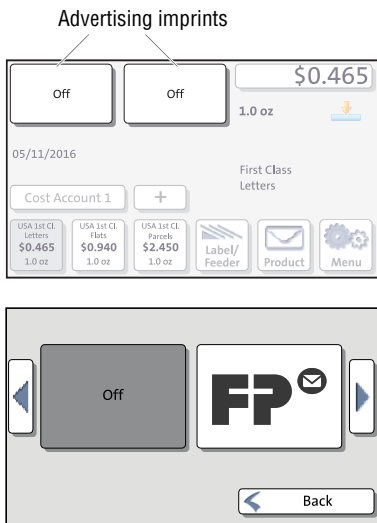
You can press the <<< button to reset the metering date to the current date.

4.3 Advertising imprints

PostBase One can print up to two advertising imprints of your choice on your mail pieces. Advertising imprints may be:

- Graphical adverts
- Text messages / SMS texts.

You can print advertising imprints in any order.



Set an advertising imprint

In the Home screen:

- Press one of the advertising imprint buttons.

PostBase One opens a list with all available advertising imprints.

- Press the desired advertising imprint.

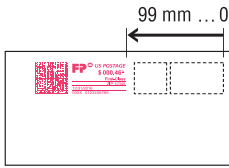
PostBase One returns to the Home screen. The advertising imprint is set for metering.

Set the second advertising imprint in the same manner.



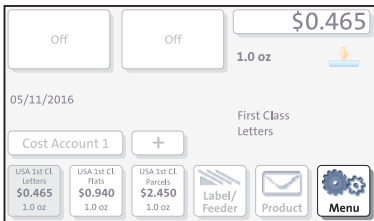
You can enter and change SMS texts via PC software from Francotyp-Postalia (e.g. RemoteOne). For details on how to manage advertising imprints on the PC, please read the manual provided with the software.

4.4 Imprint offset



PostBase One prints the meter imprint at a fixed offset from the right mail piece edge. You can increase this offset and thus shift the meter imprint to the left by adjusting the imprint offset.

If an imprint offset is set, it appears in the info panel in the Home screen.



Set the imprint offset

In the Home screen:

- Press the MENU button.



- Select IMPRINT OFFSET.

PostBase One opens the adjustment menu for the imprint offset.

- Type the desired offset value.
- SAVE the displayed imprint offset.



The imprint offset for the meter imprint is set and remains effective until it is changed – even if the machine is switched off. The info panel in the Home screen shows the currently set imprint offset.

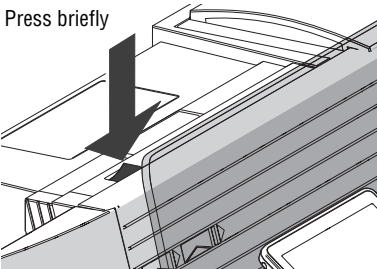
5 Metering

This chapter covers how to log on to the PostBase One mailing system, how to set an account to register the postage used, how you place letters on the hand feed tray, how to use the feeder, and how to meter self-adhesive labels which can be stuck onto the mail piece. Also, the counter functions available for metering are described. For extensive information on how to set the meter imprint, see chapter 4.

5.1 Changing the user

You can set up a user-specific access control for the PostBase One. If enabled, you are prompted to select a user and enter the corresponding PIN during startup. PostBase One loads the corresponding user profile. Among other things, the following settings are stored in the user profile: Name, PIN, budgets, allocated account(s), the standard account as well as whether postage download is allowed or blocked.

Press briefly



- Briefly press the rocker switch.

PostBase One shows the user list.

- Select the desired user.
- Enter the PIN.

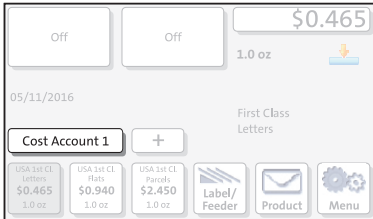
PostBase One loads the user profile and then shows the Home screen.



Using the PC software from Francotyp-Postalia (e.g. RemoteOne), the administrator of the PostBase One mailing system can set up and manage users.

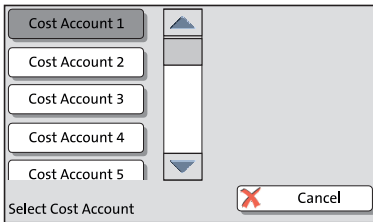
5.2 Setting / changing the account

When the account function is enabled, you must always specify an account to meter. The currently set account is displayed left in the info panel of the Home screen.



In the Home screen:

- Press the **COST ACCOUNT** button.



PostBase One opens a list with all available accounts. You see the account names and numbers. The currently set account is shown on a dark background (in the example: 'Cost Account 1').

- Press the button of the desired account.

PostBase One sets this account and returns to the Home screen.

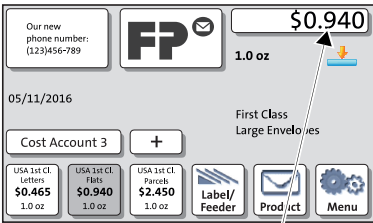


If users are enabled, only those accounts allocated to the currently set user are available in the list.

5.3 Positioning and metering letters

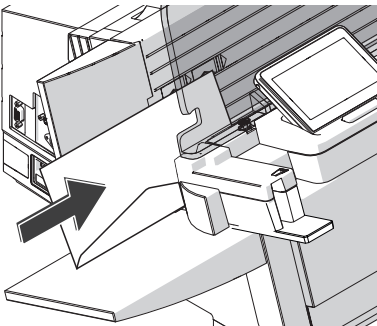
5.3.1 Hand feed tray

On a PostBase One with hand feed tray, you position letters individually for metering. Please heed the mail piece specifications on pages 176 and 177.



You can feed mail pieces to meter when the Home screen displays a postage.

PostBase One is ready to meter



- Place the letter on the hand feed tray:
 - the side to be printed on facing the rear (address field is not visible)
 - envelope flap is to the bottom (letter stands on its upper edge).
- Push the letter in the direction of the arrow and let go of it.

Letter transport starts automatically as soon as the sensor recognizes the letter.

PostBase One automatically feeds the letter, prints, and exits the letter to the right side and into the catch tray.

Letters can be added during operation. Keep a **distance of at least 2.5" (6 cm)** between the letters.

5.3.2 Feeder – batch processing *(optional)*

Equipped with a feeder, PostBase One can batch process letters and postcards. Please heed the mail piece specifications and the envelope specifications for automatic feeding and sealing on pages 176 to 178.

5.3.2.1 Preparations

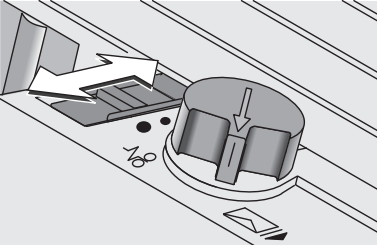
To safely and efficiently process mail pieces in batch, presorting the letters as well as checking / adjusting the settings for automatic feeding, sealing, and dynamic weighing are important prerequisites. These preparatory steps are summarized below.

Prepare letter stack

Sorting the mail pieces

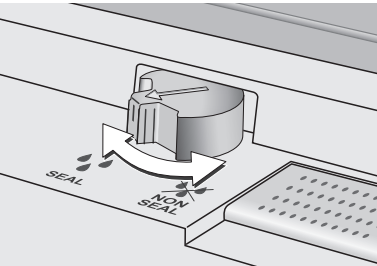
- Sort out mail pieces that are not suited for batch processing or automatic sealing (e.g. catalogues).
- Sort out mail pieces with 'critical' demands for feeding from a stack (such as letters with sensitive surfaces) and process them with specific adjustments to the separation (see overview on page 17).
- Sort mail pieces by:
 - Moisten / seal envelopes
 - Do not seal.
- Sort by postal products (e.g. postcard, letter, international letter).
- Sort the letters by thickness:
 - up to 0.08" (2 mm)
 - 0.12" to 0.2" (3 mm to 5 mm)
 - more than 0.2" (5 mm).
- If necessary, sort by other customer-specific criteria.
These might be:
 - dispatching account
 - advertising imprints
 - predated imprints.

Adjust the letter path to the letter thickness



Adjust separation

Sealing function ON / OFF



Dynamic weighing YES / NO

Setting up the feeder

- Adjust the letter path to the thickness of the mail pieces to be processed.

Letter thickness:	Letter path:
– up to 0.08" (2 mm)	● Narrow
– 0.12" to 0.2" (3 mm to 5 mm)	● Medium
– more than 0.2" (5 mm)	● Maximum

(See also chapter 3.5.1, page 16.)

- If necessary, check / adjust the separation settings. Please refer to chapter 3.5.2, page 17.

Switching the sealing function on / off

(PostBase One with sealer)

- On the sealer: Turn the envelope sealing switch to the corresponding position.

Moisten / seal letters (sealing function ON)	
Sealing function OFF	


(See also chapter 3.6, page 21.)

Check the dynamic scale's status

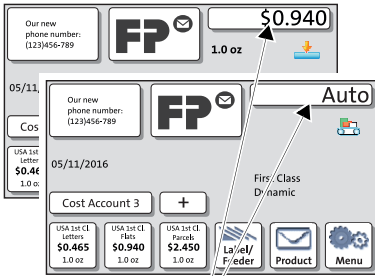
(PostBase One with dynamic scale)

If you want the dynamic scale to detect letter size and weight:

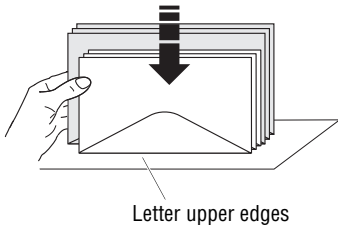
- Make sure that the product is set to 'Dynamic'.

Only when the Home screen shows the  icon as the current weighing mode, the 'dynamic weighing' function is active. Otherwise the dynamic scale only transports letters.

5.3.2.2 Positioning letters in stack



PostBase One is ready to meter

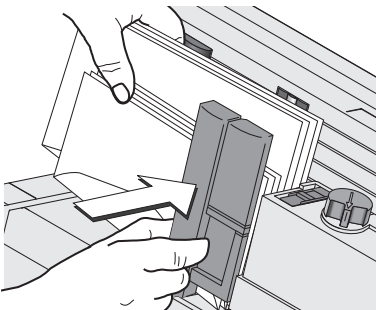


If the desired product is set and the Home screen shows the **Postage** or **Auto**, you can position mail pieces on the feeder to meter.

- Arrange the letter stack:
 - the side to be printed faces the back
 - envelope flaps face the bottom (envelopes stand on their upper edges).
- Align upper edges flush:
 - Loosen letter stack with the upper edge on a level base and shake smooth.



Do not place too many letters on the feeder. The pressure bar should have about 0.2" (5 mm) clearance.



- Grab the pressure bar in the grip recess and pull it to the front.
- Place the letter stack on the letter guide near the separation rollers. Make sure that all letters stand on the letter guide on their upper edges.
- Push the pressure bar against the letter stack.

The batch procedure starts automatically. The letters are separated from the stack, moistened and sealed (if the moistening feature has been enabled), metered, and stacked in the catch tray – ready for dispatch.

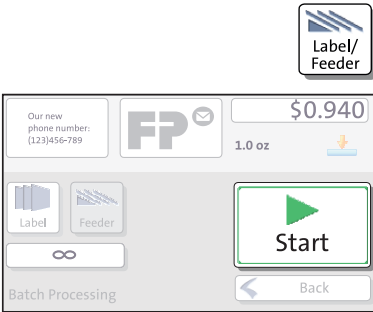
Starting / continuing batch processing

After an interruption or when there are already letters in the feeder:

- In the Home screen, press the LABEL/ FEEDER button.

PostBase One opens the 'Batch Processing' pop-up.

- Press the START button.



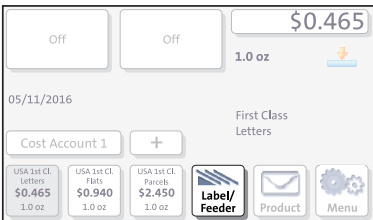
You process single letters in the same manner. Simply position a single letter / a post-card instead of a letter stack on the feeder.

5.3.2.3 Using the batch counter

The batch counter provides you with the possibility to define the number of mail pieces to be metered in advance. You can use this function to have a precise number of mail pieces ready for dispatch.

When the Home screen shows the desired settings for metering:

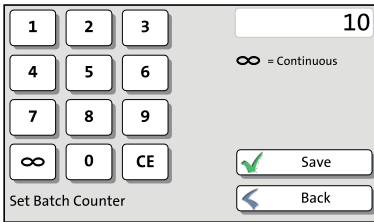
- In the Home screen, press the LABEL/ FEEDER button.





PostBase One opens the 'Batch Processing' pop-up.

- Select FEEDER.
(In most cases, 'Feeder' is already selected when opening the pop-up.)
- Press the button below the FEEDER button.

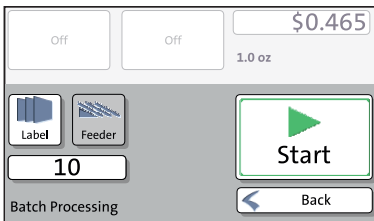


- Enter the amount of letters you want to meter.

Or:

Enable continuous operation with the ∞ button.

- SAVE the setting.



- Position the prepared letter stack.
For details on how to set up the feeder and position letter stacks, please read pages 50 to 53.

PostBase One feeds the letters one by one, prints, and places the metered letters in the catch tray. The counter displays the number of letters still to be metered. You can interrupt batch processing with the STOP button.

5.4 Metering labels

With the integrated label dispenser, PostBase One can automatically feed and print self-adhesive labels.

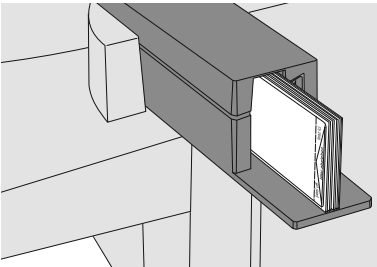
Please heed the following when metering labels:

- We recommend to use only original FP labels. The manufacturer FP has established reliability, safety and applicability. The manufacturer cannot assess the reliability, safety and applicability for products not approved by FP, and therefore not vouch for such products.
- Always insert a complete package of labels (25 pieces).

We can ensure correct label processing only when you comply with this.

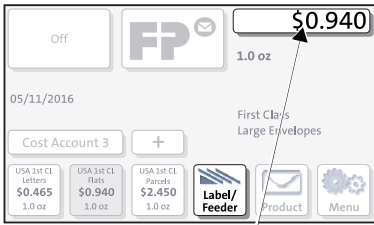


Caution! Always mind that you do not position letters on the feeder that you do not want to meter right away. The feeder starts letter transport even if LABEL is selected in the 'Batch Processing' pop-up.



Insert labels

- Remove package band from the package of labels.
- Insert the complete package (25 labels, at least 15 labels) to the label dispenser:
 - The side to be printed on is on the left.
 - Insert the package of labels as far as it will go.

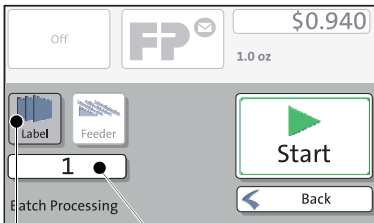


PostBase One is ready to meter

Meter a label

When the Home screen shows the desired settings for metering:

- In the Home screen, press the LABEL/ FEEDER button.



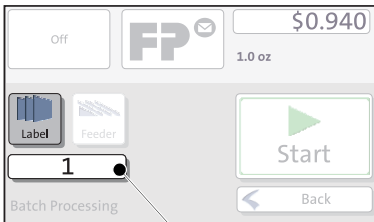
Label printing is active

Number of labels

PostBase One opens the 'Batch Processing' pop-up.

- Select LABEL.
- Press the START button.

PostBase One prints a label.



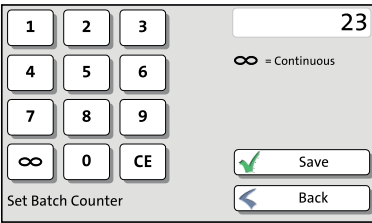
Set number

Meter several identical labels

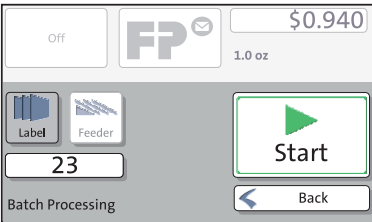
- In the Home screen, press the LABEL/ FEEDER button.

PostBase One opens the 'Batch Processing' pop-up.

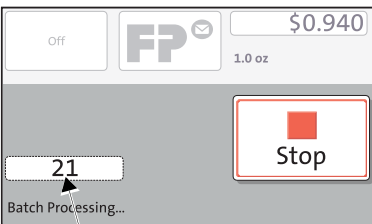
- Select LABEL.
- Press the button showing the batch counter.



- Enter the desired number of labels.
Or:
Enable continuous operation with the ∞ button.
- SAVE the setting.



- Press the START button.



Labels yet to be printed

PostBase One prints the number of labels you have set. The counter displays the number of labels still to be metered. You can interrupt processing with the STOP button.

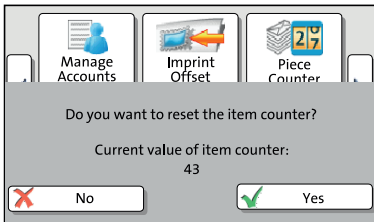
5.5 Displaying and clearing down the item counter

Apart from the counter for meter imprints in the register and the account counters, the PostBase One features an item counter for meter imprints you can use as you like. The item counter counts all meter imprints. Test prints are not registered. Independently of other counter functions, you can reset this item counter to zero or use it as a daily or job counter.



Display item counter

- Press the MENU button.
- Select PIECE COUNTER.



PostBase One opens a pop-up displaying the number of metered mail pieces since last resetting the piece counter.

- Press NO to return to the MENU without clearing the item counter.

Reset item counter

- In the pop-up, confirm the prompt with YES.

PostBase One resets the item counter to zero and returns to the MENU.

6 Displaying and printing registers

The PostBase One mailing system saves important parameters and information on used postage in registers. You can view and print the register states.



- Open the MENU.
- Choose REGISTERS.

Registers	
Descending	\$81.850
Postage Used	\$18.150
Control Total	\$100.000
Total Items	20
Last Amount	\$100.000
Last Date	05/11/2016 03:26:19 PM
<input type="button" value="Print"/> <input type="button" value="Back"/>	

The REGISTER displays the current register states.

Printing registers

- Press the PRINT button.
- Position an empty envelope / postcard to print the register report.

Or:

- Press the LABEL button.

PostBase One prints the register report on a label.

Or:

- Press the FEEDER button.
- Position an empty envelope / postcard to print the register report.

The registers store the following information:

DESCENDING	Available postage (= credit)
POSTAGE USED	Total value of all meter imprints performed
CONTROL TOTAL	Sum total of all loaded amounts
TOTAL ITEMS	Number of all meter imprints performed
LAST AMOUNT	Last amount loaded
LAST DATE	Date of last postage loading

7 Download postage

To load postage, you connect to the data center with your postage meter and call the desired amount. Billing occurs according to your contract with the USPS.

If users are enabled, postage download might not be available. In that case, please contact the system administrator.



Loading postage

- Make sure PostBase One is ready to connect to the data center (network cable is connected, correct connectivity settings).
- Open the MENU.
- Choose DOWNLOAD POSTAGE.
- Accept the amount to be loaded.

Or

Type the desired amount.

- Confirm the amount displayed with LOAD POSTAGE and continue.

To load the displayed sum:

- Confirm the security prompt with YES.

PostBase One will then establish a connection to the data center. Loading continues automatically. Please stand by. Data exchange may take some time.

The new remaining amount is indicated when loading ends.

- Use REPORT to view and print the loading report.

8 PostBase One with PC connection

Specific PC software from Francotyp-Postalia (RemoteOne as well as the optionally available applications ReportOne and MailOne 2.0) allow you to comfortably operate the mailing system via PC and offer extensive booking, analyzing and reporting features.

This chapter describes the particularities in handling the PostBase One mailing system when connected to a PC.



For information on RemoteOne, ReportOne and MailOne 2.0, please visit our website or contact your local FP representative.




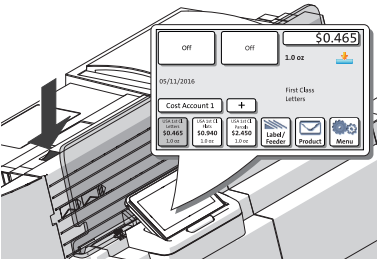
PC Software Mode ON / OFF

You can set up PostBase One in such a way that meterings are solely possible in connection with a PC and the specific PC software from Francotyp-Postalia (see chapter 11.15, page 93).

This way, you can make sure that every metering is registered on the PC for further booking, analyzing and managing.

Connect PostBase One to the PC

- Make sure the PC is connected to the postage meter ( interface) via USB.
- Switch on the PostBase One mailing system.
- If necessary, select a user and enter the PIN.





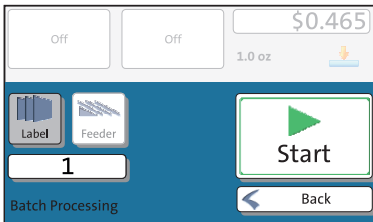
Only when PostBase One shows the Home screen:

- Start the FP software on the connected PC. (The example shows the RemoteOne/ReportOne icon.)

During the start routine, the connection to PostBase One is automatically established.



When you connect your PostBase One to the FP software for the first time you will need to enter a PIN (see chapter 11.14, page 92).



As soon as PostBase One is connected to the respective FP software (e.g. RemoteOne), the display shows a corresponding pop-up window (similar to the example on the left).

In this state, access to meter imprint settings and menu functions is blocked on the PostBase One.

All metering settings are done on the PC via the FP software.

The current meter imprint settings (postage, weight and advertising imprints) are also visible in the postage meter's display.



On how to use the FP software, please read the manual provided with the software. You can access the manual directly from the software via the [Help] button.

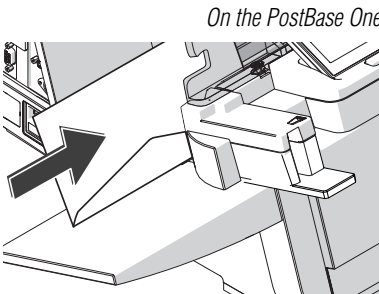
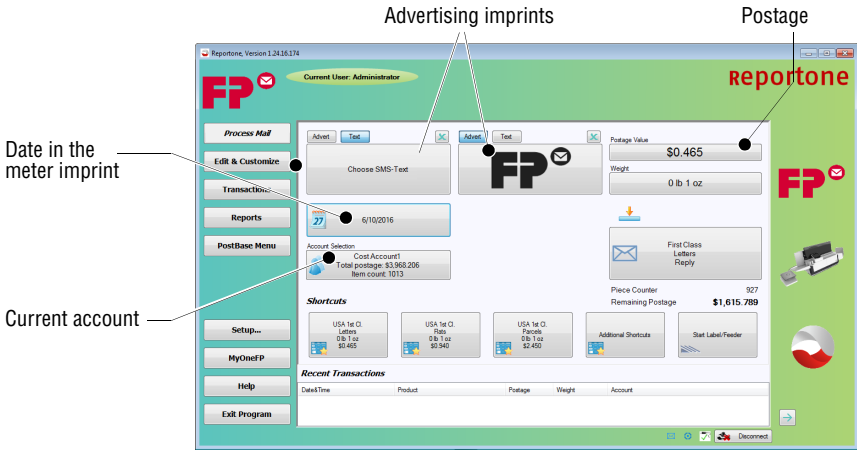
On the PC: set the meter imprint

Metering

On the PC:

- Set the product.
- Set the desired account.
- If necessary, set further settings for metering (e.g. advertising imprints, imprint offset).

Example: ReportOne

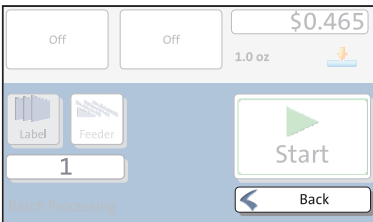


On the PostBase One

When the desired metering settings are set:

- Meter the mail piece as usual with the PostBase One or meter a label.

For each metering, a dataset is transmitted from the postage meter to the PC and is booked there.



Disconnect PC connection

- In the pop-up window, choose BACK (DISCONNECT).

The connection between PostBase One and the PC is disconnected. Menu and imprint settings are accessible via the PostBase One's touch screen.

PC Software Mode: ON

If the PC Software Mode is active on Postbase One, you cannot meter when disconnected from the PC.

9 Special imprints and functions

9.1 Postage correction

You can correct faulty meter imprints on an already metered letter. The correction print must always be printed on the non-address side of the mail piece.

If you have metered a postage value which is too low, print a correction with the missing amount on the non-address side of the mail piece.

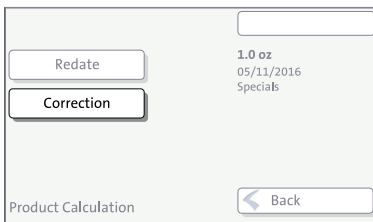


Setting the CORRECTION imprint

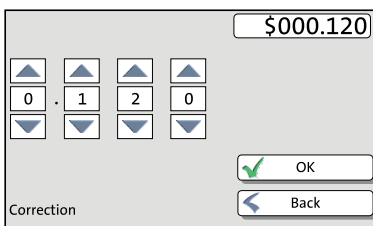
In the Home screen:

- Press the **PRODUCT** button.

PostBase One opens the Product Calculation menu.



- Select **SPECIALS**.
- Select **CORRECTION**.

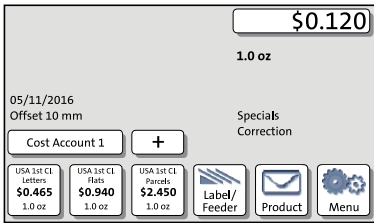


PostBase One opens the Correction menu.

- Set the amount to be imprinted on the mail piece in addition to the postage value already metered.

Use the arrow buttons to increase or decrease the figure in each digit until the desired amount is displayed in the top right text box.

- Confirm the displayed correction amount with **OK**.
- Press **OK** to accept the displayed product setting and to return to the Home screen.



Print postage correction

The Home screen shows the current settings for the correction imprint. You can change the settings (e.g. date, imprint offset) in the same way as with a regular meter imprint.

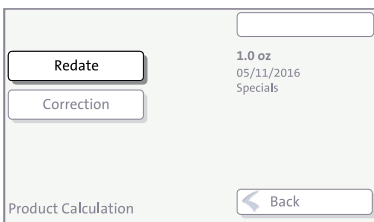
- Position the mail piece the address side facing front.

PostBase One prints the correction imprint.

When printing the postage correction, advertising imprints are not available.

9.2 Redate

If the meter imprint shows an incorrect date, you can print a correction with the correct date on the non-address side of the already metered mail piece.



Setting the REDATE imprint

In the Home screen:

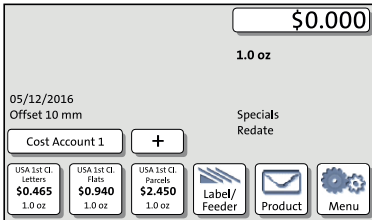
- Press the **PRODUCT** button.
- PostBase One opens the Product Calculation menu.
- Select **SPECIALS**.
- Select **REDATE**.
- Press **OK** to accept the displayed product setting and to return to the Home screen.

The Home screen shows the current settings for the redate imprint. You can change the settings (e.g. imprint offset) in the same way as with a regular meter imprint.



Setting the date

- Open the MENU.
- Select CHANGE DATE.
- Type the date.
- Press SAVE to set the date.



Print redate

When the Home screen shows the desired settings for the redate imprint:

- Position the mail piece the the address side facing front.



PostBase One prints the redate imprint.



When printing the redate imprint, advertising imprints are not available.

9.3 Reply Mail metering

You can meter reply mail. When metering reply mail, PostBase One prints a normal meter imprint without date.



Collect on Delivery	▲	\$0.465
Certified Mail		1.0 oz
Reply		05/11/2016
Test print product		First Class
		Letters
	▼	✓ OK
Product Calculation		← Back

Off	Your advert	\$0.465
		1.0 oz
05/11/2016		First Class
Offset 10 mm		Letters
Cost Account 1	+	Reply
USA 1st CL letters \$0.465 1.0 oz	USA 1st CL Flats \$0.940 1.0 oz	USA 1st CL Parcels \$2.450 1.0 oz
Label/Feeder	Product	Menu

Setting the Reply Mail meter imprint

In the Home screen:

- Press the PRODUCT button.
- PostBase One opens the Product Calculation menu.
- Select the mailing data for the reply mail as usual.
 - In the additional services list, select REPLY.
 - When the desired product is set, press OK to return to the Home screen.

Meter reply mail

The Home screen shows the current settings for the reply mail meter imprint. You can change the settings (e.g. advertising imprints, imprint offset) in the same way as with a regular meter imprint.

When the Home screen shows the desired settings for the reply mail meter imprint:

- Position the reply envelopes / cards as usual.

Your advert
or
text message



FP[®] US POSTAGE
\$000.46³
First-Class
ZIP 12345

03XX 0123456789

PostBase One prints the reply mail meter imprint.

9.4 Stamping incoming mail *(optional)*

You can use the 'Incoming mail' function to mark your incoming mail.



Set advertising imprint

Select incoming mail stamp

Set imprint off-set

Set date

<input type="radio"/> Off	<input checked="" type="radio"/> 2-Received	05/11/2016
		<input checked="" type="radio"/> Offset
Select date of mail entry stamp and advert/SMS. Select date and offset.		
		<input type="button" value="Continue"/> ➔
Print Date of Mail Entry		<input checked="" type="button" value="Cancel"/> ✖

Setting the incoming mail stamp

- Open the MENU.
- Choose SPECIAL FUNCTIONS.
- Choose DATE OF MAIL ENTRY.

The PRINT DATE OF MAIL ENTRY window shows the last used incoming mail stamp.

You can keep or edit the following settings as you desire:

- incoming mail stamp
- advertising imprint
- date for the incoming mail stamp
- imprint offset for incoming mail.



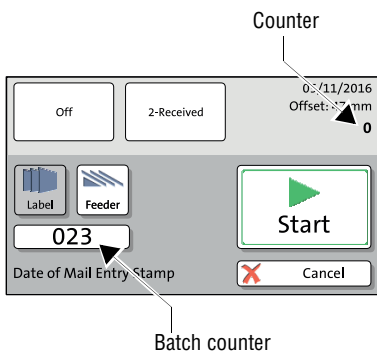
For an overview of the possible settings, please refer to the table on the next page.

When all settings show the desired imprints and values:

- Confirm with CONTINUE.

Print date of mail entry – possible settings:

Incoming mail stamp	Depending on your order, one or several incoming mail stamps are available.
Date	You can set the date for the incoming mail stamp freely. Backdating is possible, too. Changing the date for the incoming mail stamp does not affect the metering date. Note: You can set the date back to the current date with the << button.
Imprint offset	You can adjust the position of the incoming mail stamp freely (default position: about 0.4" / 1 cm from the right letter edge). Any changes to this setting remain, even after switching the PostBase One off. The offset for the incoming mail stamp does not affect the imprint when metering.
Advertising imprint	In addition to the incoming mail stamp, you can set an advertising imprint, as with metering.



Item and batch counters

You can set the batch counter and / or start the imprint immediately. Proceed exactly as when metering:

- Position incoming mail at the hand feed tray.

Or

- Start label printing.

The 'Incoming Mail' function features its own counter functions. The item and batch counters work as described for the regular metering function. Please refer to chapter 5.3.2.3 on page 53 and chapter 5.5 on page 58.

Stamping incoming mail



Caution! Only stamp incoming mail conforming with the mail piece specifications on page 176.

- Insert the incoming mail with the side to be stamped facing the rear.

PostBase One prints the incoming mail stamp.

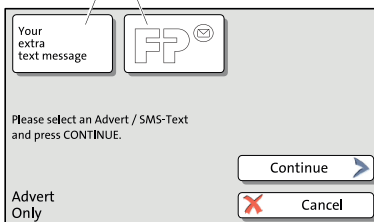
9.5 Advert Only

With the special function 'Advert Only', you can print advertising imprints (graphical adverts, text messages) that are stored in your PostBase One Mailing System.



- Open the MENU.
- Choose SPECIAL FUNCTIONS.
- Choose ADVERT ONLY.

Set advertising imprint
advert / text message



PostBase One opens the 'Advert Only' menu.

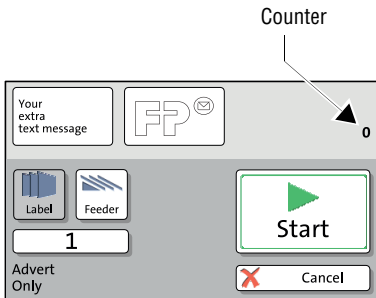
The two advertising imprint buttons on the upper left show the print image for this special function. You can assign each one of these buttons either an advert or a text message (SMS).

- Press one of the advertising imprint buttons.

PostBase One opens a list of all available advertising imprints.

- Press the button of the desired advertising imprint.

PostBase One returns to the 'Advert Only' menu. The advertising imprint button shows the selected imprint.



- Set the second advertising imprint in the same way.

When both buttons show the desired imprints:

- Confirm with CONTINUE.

You can start printing. Proceed exactly as when metering:

- Position an envelope / a postcard on the hand feed tray.

Or

- Start label printing.

Or

- Use the feeder.



For detailed information on feeding letters, batch processing with the feeder and label printing, please read chapter 5.

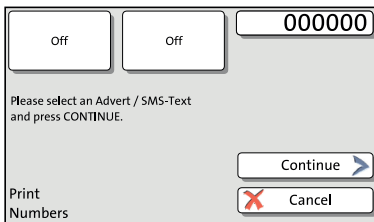
The 'Advert Only' special function has its own counter. PostBase One shows the number of imprints on the upper right side of the display. When quitting the 'Advert Only' function, the counter is reset to '0'.

9.6 Print Numbers

With the special function 'Print Numbers', you can print a 6-digit consecutive number vertically on your mail. You can set any start number and choose the direction of counting (ascending or descending).



- Open the MENU.
- Choose SPECIAL FUNCTIONS.
- Choose PRINT NUMBERS.



PostBase One opens the 'Print Numbers' menu.

The two advertising imprint buttons on the upper left show the print image for this special function. You can assign each one of these buttons either an advert or a text message (SMS).

- Press one of the advertising imprint buttons.

PostBase One opens a list of all available advertising imprints.

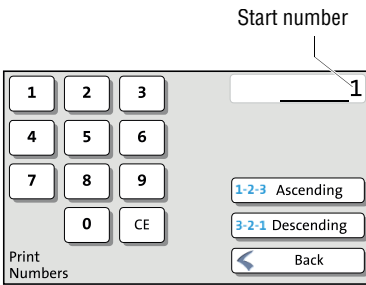
- Press the button of the desired advertising imprint.

PostBase One returns to the 'Print Numbers' menu. The advertising imprint button shows the selected imprint.

- Set the second advertising imprint in the same way.

When both buttons show the desired imprints:

- Confirm with CONTINUE.



Setting the start number

- Enter the desired start number.
You can choose any number between 1 and 999999.

Setting the direction of counting

When the desired start number is displayed:

- Press the button for the desired direction of counting (ASCENDING or DESCENDING).

PostBase One applies start number and direction of counting.

You can start printing numbers. Proceed exactly as when metering:

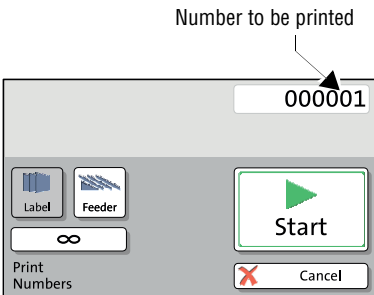
- Position an envelope / a postcard on the hand feed tray.

Or

- Start label printing.

Or

- Use the feeder.



For detailed information on feeding letters, batch processing with the feeder and label printing, please read chapter 5.

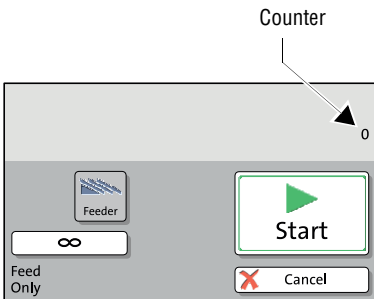
During processing, PostBase One shows the next number to be printed in the upper right corner of the display.

9.7 Feed Only / Count mail pieces

With the special function 'Feed Only', you can process mail without printing. In this way, you can count mail pieces and prepare your bulk mail for dispatch in counted stacks.



- Open the MENU.
- Choose SPECIAL FUNCTIONS.
- Choose FEED ONLY.



- Position letter stack on the feeder / start letter transport.

When stack processing with the automatic feeder for the 'Feed Only' special function, proceed exactly as when metering mail. For detailed information, please read chapter 5.3.2.

The 'Feed Only' special function has its own counter. PostBase One shows the number of transported mail pieces on the upper right side of the display. When quitting the 'Feed Only' function, the counter is reset to '0'.




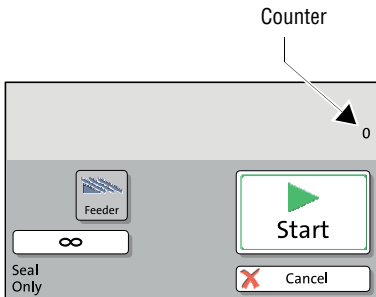
The 'Feed Only' special function is also available when working without feeder. You then have to position mail pieces individually on the hand feed tray.

9.8 Seal Only (optional)

With the special function 'Seal Only', you can seal and count letters without printing (up to 7 mm / 0.3"). This special function is only available on PostBase One systems with feeder. Please heed the mail piece specifications on page 178.



- Open the MENU.
- Choose SPECIAL FUNCTIONS.
- Choose SEAL ONLY.
- On the feeder, switch on the seal function: Set the switch to the position  **SEAL** (see also chapter 3.6).
- Position letter stack on the feeder / start letter transport.



When stack processing with the automatic feeder for the 'Seal Only' special function, proceed exactly as when metering mail. For detailed information, please read chapter 5.3.2.

The 'Seal Only' special function has its own counter. PostBase One shows the number of transported mail pieces on the upper right side of the display. When quitting the 'Seal Only' function, the counter is reset to '0'.

10 Account administration

If user management is enabled via PC software, the account administration features are only available to the administrator.

10.1 Switch account administration on / off



Switching on

- Open the MENU.
- Choose MANAGE ACCOUNTS.
- Confirm the prompt with CONTINUE.

The account function is enabled.

Switching off



Caution! Any data stored in the accounts will be lost.



- Open the MENU.
- Choose MANAGE ACCOUNTS.
- Select DEACTIVATE.
- Confirm the security prompt with YES to disable the account function.



While the account administration is disabled, the settings stored in the user profiles lie idle.

10.2 Display account information



- Open the MENU.
- Choose MANAGE ACCOUNTS.
- Select SHOW LIST.

PostBase One displays a list of all accounts containing the respective number and value of metered letters.

10.3 Set one account to zero



- Open the MENU.
- Choose MANAGE ACCOUNTS.
- Select CLEAR ONE ACCOUNT.
- Select the account you want to set to zero and CONTINUE.
- Confirm the security prompt with YES.

All account information (postage and number of meter imprints) of the selected account is deleted.

10.4 Set all accounts to zero



- Open the MENU.
- Choose MANAGE ACCOUNTS.
- Select CLEAR ALL ACCOUNTS.
- Confirm the security prompt with YES.

All account information (postage and number of meter imprints) is deleted.

10.5 Print account report *(optional)*

PostBase One can print account reports for all accounts or individual accounts. An account report contains the account name(s), the postage used and the number of performed meterings since last setting the account to zero, as well as the date, the time, and information on the postage meter.



Print information about all accounts

- Open the MENU.
- Choose MANAGE ACCOUNTS.
- Select SHOW LIST.

PostBase One displays a list of all accounts containing the respective number and value of metered letters.

- Press the PRINT button.
- Position an empty envelope / postcard.

PostBase One prints the first page of the account report.

- Position more envelopes / postcards to print the following pages.

Or:

- Press the LABEL button.
- Press the START button.

PostBase One prints the account report on labels. The number of labels to be printed is displayed on the left.

Or:

- Press the FEEDER button.
- Position empty envelopes / postcards on the feeder.

PostBase One prints the report of all accounts; spread to the displayed number of pages.



Print information about one account

- Open the MENU.
- Choose MANAGE ACCOUNTS.
- Choose PRINT ONE ACCOUNT.

The PRINT COST ACCOUNT menu lists all available accounts.

- Select the account you want to print the report for and CONTINUE.

PostBase One shows the current usage data (postage used and number of meter imprints) of the selected account.

- Press the PRINT button.
- Position an empty envelope / postcard to print the account report.

Or:

- Press the LABEL button.
- Press the START button.

PostBase One prints the account report on a label.

Or:

- Press the FEEDER button.
- Position an empty envelope / postcard to print the account report.

PostBase One prints the report of this account.



If user management is enabled via PC software, the account administration features are only available to the administrator.

11 Advanced settings & system information

11.1 System information

You can view a list of all major system parameters (e.g. software version, rate table).



- Open the MENU.
- Choose SYSTEM INFORMATION.

PostBase One displays the system information.

11.2 Display brightness

You can adapt the display brightness to fine-tune the contrast and increase the legibility of the displayed texts.



- Open the MENU.
- Choose DISPLAY BRIGHTNESS.

PostBase One opens the adjustment menu for display brightness.

- Use the BRIGHTER / DARKER buttons to achieve the desired setting. You can press the buttons multiple times to increase / decrease display brightness further.

Or

- Choose DEFAULT to reset display brightness to the factory setting.

You can monitor the changes immediately in the display. Alter the settings until you can easily read the display.

- SAVE the setting shown.

11.3 Tone signals

PostBase One confirms certain actions with a tone signal. A series of tone signals indicates an error. You can restrict the scope of audible signals to warnings or turn off the audible signals altogether.



- Open the MENU.
- Choose SOUND SIGNALS.

PostBase One opens the adjustment menu for tone signals. The current setting is shown on a dark background.

- Select the desired setting.
- Save the setting shown.

Sound signals – possible settings and their meaning:

ON	Tone signals in case of errors. Confirmation beep of the scale when weighing is finished.
OFF	No tone signals.
ONLY ERRORS	Tone signals in case of errors.

11.4 User interface language

The PostBase One user interface supports multiple languages.



- Open the MENU.
- Choose LANGUAGE.

PostBase One opens the language adjustment menu. The current setting is shown on a dark background.

- Select the desired language.

The user interface language changes immediately.

- SAVE the language setting shown.

The new language will remain selected until you change the language again.

11.5 Standby time

The PostBase One postage meter will go to standby automatically if it is not used for some time. The standby time is the time between your last operation and the time PostBase One automatically goes to standby.



- Open the MENU.
- Choose STANDBY TIME.

PostBase One opens the standby adjustment menu.

- Type the desired time.
- SAVE the specified standby time.

11.6 Product after Standby

This feature lets you define which product will be set for metering after reactivating PostBase One from standby:

- the product stored as shortcut 1
- the product that was last used.



- Open the MENU.
- Choose PROD. AFTER STANDBY.

PostBase One opens the adjustment menu for this function. The current setting is shown on a dark background.

- Select the desired setting.
- SAVE the setting shown.

PROD. AFTER STANDBY – possible settings and their meaning:

SHORTCUT 1	After reactivating PostBase One from standby, the product stored as shortcut 1 is set.
LAST PRODUCT	PostBase One keeps the current (last) product setting.

11.7 Auto Off

PostBase One switches off automatically if it is not used for some time. The Auto Off time is the time between your last operation and the time PostBase One automatically switches off.



- Open the MENU.
- Choose AUTO OFF.

PostBase One opens the adjustment menu.

- Type the desired time.
- SAVE the specified Auto Off time.



The value “0” disables the Auto Off function.

11.8 Meter type

The meter type setting defines whether PostBase One displays and prints the postage in the 00.00 or 00.000 format.



- Open the MENU.
- Choose DECIMAL METER MODE.

PostBase One opens the adjustment menu. The current setting is shown on a dark background.

- Select the desired setting.
- SAVE the setting shown.

Decimal Meter Mode – possible settings and their meaning:

\$0.00	Displays and prints the postage in integer cents.
\$0.000	Displays and prints the postage in tenths of cents.

11.9 Connection to data center

On commissioning through the FP Customer Service, setting up the connection to the data center is part of the installation routine. You should check and – if need be – correct the settings if changes were made to your equipment / system environment. When in doubt, contact your network administrator.



- Open the MENU.
- Choose MANAGE CONNECTION.

PostBase One shows the current connectivity settings.

Changing the settings

- Press CHANGE.
- Simply follow the instructions on the display. PostBase One successively prompts you to specify all necessary details.

When finished, PostBase One displays the current connection configuration.

- If everything is correct: SAVE.



The chart on the following pages gives an overview of the possible settings and parameters.

Connectivity Settings and their meaning:

Connection Type	
ETHERNET / LAN <i>(default setting, not changeable)</i>	LAN connection. PostBase One connects to the Francotyp-Postalia Infrastructure (FPI) via the internet.
DHCP	
DHCP = ENABLED <i>(default setting)</i>	Select this setting if your network supports DHCP.
DHCP = DISABLED	<p>Select this setting if your network does not support DHCP.</p> <p>During manual configuration, you will need to enter the following parameters:</p> <ul style="list-style-type: none"> – Static IP address for your PostBase One – Subnet mask – Default gateway – IP address of the DNS server. <p>Please contact you network administrator for details.</p> <p><u>Note:</u> When entering IP addresses, you have to enter the dots, too.</p>
Proxy-Server	
PROXY = DISABLED <i>(default setting)</i>	Select this setting if your network does not use a proxy server.
PROXY = ENABLED	<p>Select this setting if your network uses a proxy server.</p> <p>You will need to enter the following parameters:</p> <ul style="list-style-type: none"> – IP address of the proxy or its alias – Port number. <p>Please contact you network administrator for details.</p>

Connectivity Settings and their meaning:

Proxy-Authentication*(only when Proxy = Enabled)*

Access control to the proxy server (user name and password).

DISABLED
(default setting)

Select this setting if your proxy server does not require authentication (user name and password).

ENABLED

Select this setting if your proxy server does require authentication.

You will need to enter the following parameters:

- User name for proxy access
- Password.

Please contact you network administrator for details.



In case your network only supports explicitly authorized devices, your network administrator will require the MAC address of your PostBase One. You can find it in the Connectivity Settings menu.

**Reference Information for Network Administrators**

The PostBase One requires an Ethernet connection, with a minimum of 10 Mbit/sec, in order to be able to download postal funds from a Francotyp-Postalia server.

Ethernet cables of class CAT5E are recommended.

For this it normally uses TCP/IP (v4 only) through an https connection using TLS v1.2 over **port 443**. In certain cases it may also use an http connection over **port 80**.

These two ports must therefore be enabled in any firewall. It will attempt to make a connection to *.francotyp.com.

11.10 View contact information

Important contact information (Phone / Internet) is stored in your postage meter at the factory. You can view the contact information.



- Open the MENU.
- Choose CONTACT INFORMATION.

PostBase One displays the stored phone numbers and URLs.

11.11 Access control / PIN

PostBase One can be protected against unauthorized use via a PIN. With the PC software, you can set up a user-specific access control for the PostBase One. Please refer to the manual of the PC software. In the PostBase One menu, the PIN function is then only accessible with the administrator PIN.



Enable access control

- Open the MENU.
- Choose MANAGE PIN.
- Confirm the prompt with CONTINUE.

PostBase One opens the access control adjustment menu.

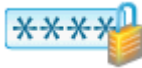
- Enter a PIN and CONTINUE.
- Enter the PIN a second time to confirm.
- SAVE the PIN.

The PIN is set. Each time you start up PostBase One, you have to enter the PIN to get access.

Disable access control



Caution! If you disable access control, all users will be deleted without prior warning.



- Open the MENU.
 - Choose MANAGE PIN.
 - Confirm the prompt with CONTINUE.
- Access control is disabled.

11.12 Auto Postage Download

The 'Auto Postage Download' feature facilitates keeping track of the remaining postage. When enabled, PostBase One will warn you once the remaining postage reaches the preset threshold and will give you the opportunity to load postage.



Enable 'Auto Postage Download' function

- Open the MENU.
- Choose AUTO POSTAGE DOWNLOAD.
- Confirm the prompt with CONTINUE.
- Enter the desired threshold.
- SAVE the setting shown.

Auto Postage Download is enabled.



Performing Auto Postage Download

When the remaining postage reaches the threshold, PostBase One opens an appropriate screen with the following options:

- CHANGE the displayed load amount, then load postage.

Or:

- LOAD the displayed amount directly.

Or:

- CANCEL the procedure to load postage later.

Change threshold

- Open the MENU.
- Choose AUTO POSTAGE DOWNLOAD.
- To CHANGE the threshold (option is already selected), choose CONTINUE.
- Enter the new threshold.
- SAVE the setting shown.



Disable 'Auto Postage' function

- Open the MENU.
- Choose AUTO POSTAGE DOWNLOAD.
- Select TURN OFF and CONTINUE.
- Confirm the security prompt with YES.

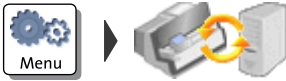


Auto Postage Download is disabled.

11.13 Uploading product data

Your PostBase One postage meter needs to upload product usage data regularly. If you keep your PostBase One switched on and connected to the internet, this will happen automatically each day at midnight.

PostBase One will remind you when it is time to upload the product usage data. If you fail to do so, the postage meter will lock down after a certain amount of time until you performed a data upload.



Upload data manually

- Open the MENU.
- Choose DATA UPLOAD

Please stand by. PostBase One establishes a connection with the data center and will then upload its product usage data.

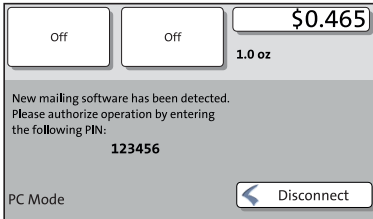
A pop-up message is displayed when uploading data is completed.



Uploading product data is also done by postage downloading a value of \$ 0.

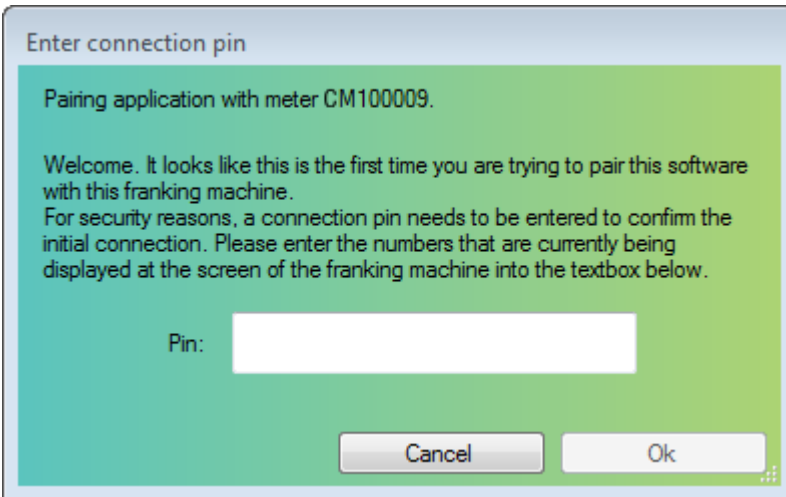
11.14 Authentication code for RemoteOne / ReportOne

When you connect your PostBase One to the RemoteOne / ReportOne software for the first time you will need to enter a PIN.



- Connect your PostBase One to the PC.
- Start the RemoteOne / ReportOne application.

PostBase One will generate and display the authentication code.



- Enter this PIN in the PC application.
- Press Ok.

Your PostBase One and this RemoteOne / ReportOne installation are now authorized to work together. You will not have to enter the PIN again.

11.15 Switch PC Software Mode on / off

You can set up the mailing system in such a way that metering is only possible when connected to a PC and special FP software for PostBase mailing systems (RemoteOne, ReportOne or MailOne 2.0). Thus, you can make sure that all meterings are registered on the PC for reporting and analysis purposes. For information on RemoteOne, ReportOne and MailOne 2.0, please visit our website or contact your local FP representative.




- Open the MENU.
- Choose PC SOFTWARE MODE.

PostBase One opens the adjustment menu for the PC Software Mode. The current setting is shown on a dark background.

- Select the desired setting.
- SAVE the setting shown.

PC Software Mode – possible settings and their meaning:

- ON PostBase One meters only if data exchange between postage meter and PC is possible, i.e.
- the PC is connected to the postage meter ( interface) via USB and
 - the FP software is connected to the PostBase One.

All meterings are automatically registered by the FP software.

- OFF Metering is possible with and without PC connection.

Meterings without RemoteOne / ReportOne / MailOne 2.0 (so called Offline Postage) are not registered on the PC. You can manually book those meterings afterwards with the FP software in use.

11.16 Adjusting moistening *(PostBase One with sealer)*

PostBase One monitors the operational conditions of the sealer. Upon system start, as well as occasionally during operation, sealing liquid from the tank is pumped to the moistening sponge. Thus, PostBase One makes sure the sponge is always properly wetted. You only need to adjust the moistening if the envelope flaps are moistened too little or too much.



- Open the MENU.
- Choose MOISTENER.
- Use MORE or LESS to adjust the moistening.
- SAVE the displayed setting.

Functions and settings of the MOISTENER menu and their meaning:

MORE	Increase moistening of envelope flaps.
STANDARD	Restore default moistening level.
LESS	Decrease moistening of envelope flaps.
START PUMP	If moistening has been enabled on the sealer, sealing liquid from the tank will immediately be pumped to the moistener.

11.17 Remote Services

With the 'Remote Services' function, PostBase One connects to the FP server and checks for updates (e.g. a new rate table, new machine software). Diagnostic data is also exchanged with the FP server.



- Open the MENU.
- Choose REMOTE SERVICES.

PostBase One starts the update procedure. It takes some time to establish the connection and to exchange data. Please stand by.

11.18 Change ZIP / Re-authorization

You must inform FP Mailing Solutions of the new location of your PostBase One if you wish to operate the PostBase One at another location (e.g. after a relocation).



- Open the MENU.
- Choose CHANGE ZIP.
- Follow the instructions in the display.

Re-authorization starts. It takes some time to establish the connection and to exchange data. Please stand by.

12 Maintenance and care

Have your mailing system regularly checked and maintained by authorized service. This guarantees long-term, trouble-free operation.

Contact us for our low-price maintenance and service agreement.

You can perform the following cleaning and maintenance tasks yourself:

- cleaning the outer housing parts
- changing / adjusting the ink cartridges
- changing / adjusting the print heads
- changing the ink tank
- cleaning the print system
- replacing the ink fleece
- topping up sealing liquid (*PostBase One with sealer*)
- cleaning / replacing the sponge (*PostBase One with sealer*)
- replacing the battery.

You must not start the service function “Temp. Calibration” without a request by FP Mailing Solutions to do so.

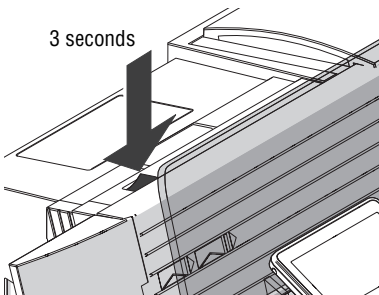
12.1 Cleaning the PostBase One mailing system



Warning! Pull the power plugs prior to cleaning the PostBase One mailing system.



Warning! Be extremely careful when handling liquids. Take special care that no foreign objects penetrate the system's interior. If this should happen, have the mailing system checked by FP Customer Service before using it again.



How to clean the mailing system

- Switch off the mailing system: press the rocker switch for three seconds.
- Pull the power plugs of the mailing system, as well as all components connected to it (e.g. feeder) from the socket(s).
- Clean dirt from the housing with a slightly damp cloth. You can also use a commercially available dishwashing detergent.

12.2 Print system: show ink level / status



- Open the MENU.
- Choose PRINT SYSTEM.
- Choose INFORMATION.

PostBase One shows the following information, depending on the ink system in use:

Ink systems with 2 ink cartridges

- Ink level of the two ink cartridges.

Or

Bulk Ink

- Ink level of the ink tank and
- Status of the two print heads.

New 

The status display shows the remaining service life of the two print heads.

Almost worn
(replace with next ink tank change) 

12.3 Changing the ink cartridges

PostBase One monitors the filling level in the ink cartridges and issues a message when they must be replaced.

We recommend that you always have a new FP cartridge kit in stock.

We advice to clean the contacts in the cartridge bracket at each cartridge replacement. Use the special 'clean & renew' cleaning kit for ink-jet print systems, available at FP Mailing Solutions.



Warning! *Ingestion of the ink can be hazardous. Avoid contact with the eyes. Keep the ink cartridges away from children. Further instructions for use are enclosed with the ink cartridges.*



Caution! *To ensure proper imprints, please heed the following instructions when handling ink cartridges:*

- *Use up within 12 months after opening the vacuum packaging.*
- *Always keep unprotected nozzles facing down.*
- *Handle with care when without nozzle protection.*



Caution! *Heed the following tips to avoid damage to the print system:*

- *Do not yank the print system flap open. Run the CHANGE CARTRIDGES function from the PRINT SYSTEM menu. The flap then opens by itself.*
- *We recommend to use only approved FP equipment and FP original parts. The manufacturer FP has established reliability, safety and applicability. The manufacturer cannot assess the reliability, safety and applicability for products not approved by FP, and therefore not vouch for such products.*
- *Always replace the ink cartridges in pairs. Only insert new ink cartridges.*



Caution! *There could be ink residues on the used cartridges.*

- *Take care not to soil your skin, your clothes, or objects near by.*
 - *Use a mat to place the ink cartridges.*
-

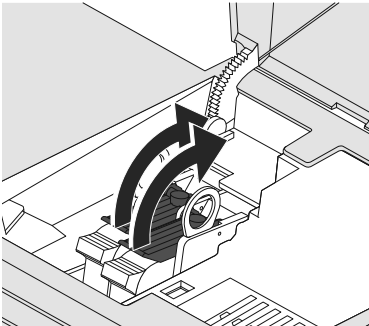
Changing the ink cartridges

PostBase One will prompt you to replace the cartridges when they are depleted.



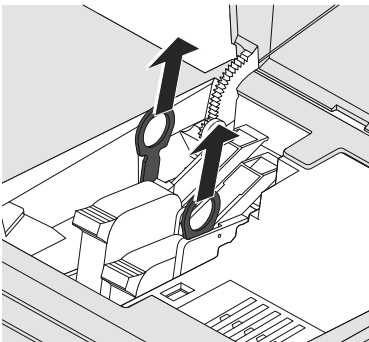
- Confirm the message.
- Open the MENU.
- CHOOSE PRINT SYSTEM.
- CHOOSE CHANGE CARTRIDGES.

The exchange procedure starts. PostBase One moves the ink cartridges to the exchange position and opens the flap.



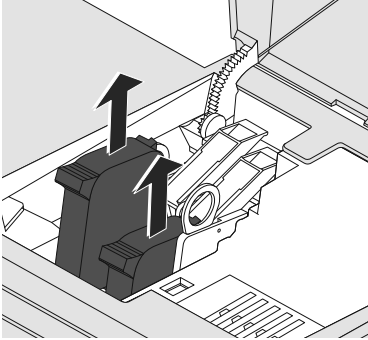
Removing the ink cartridges

- Release the ink cartridges:
Turn the two blue-green levers upwards.



- Pull both lifters (blue-green) upwards.

The ink cartridges are lifted from their brackets.



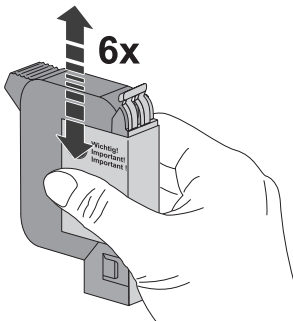
- Pull both ink cartridges upward out of the bracket.

Inserting new ink cartridges

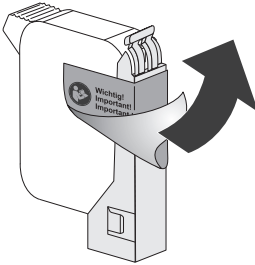
The full functioning of the PostBase One mailing system at the time of delivery can only be guaranteed when using original Francotyp-Postalia ink cartridges.



Caution! Insert the ink cartridges only after they have adapted to the ambient temperature of the postage meter (e.g. after storage in the basement or after transport in a cold vehicle). Else, no correct calibration can be performed.



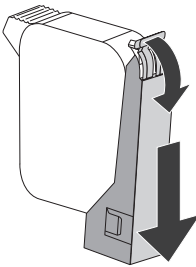
- Unpack the new ink cartridges. Do not remove the nozzle protection yet.
- Shake each cartridge vigorously six times. Pigments, which may have settled, imingle optimally that way.



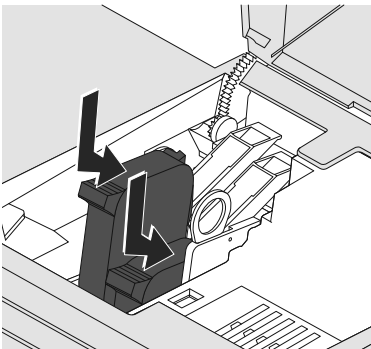
- Remove the sticker.



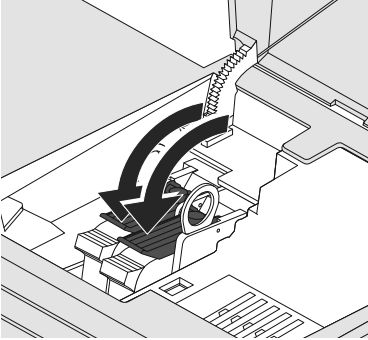
Caution! Do not touch the nozzle surface. Always keep unprotected nozzles facing down. Handle cartridges without nozzle protection with extreme care.



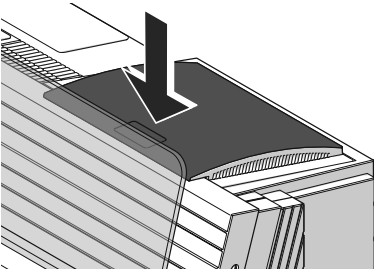
- Carefully remove the nozzle protection.



- Hold the ink cartridge with its connectors facing backwards, i.e. towards the back of the mailing system.
- Insert the ink cartridge into its bracket.
- Push down the ink cartridge as far as it goes.
- Finally, push the ink cartridge back gently – it will then tilt into the bracket.
- Insert the second ink cartridge in the same way.



- Lock the ink cartridges: Turn the two blue-green levers downwards.



- Close the flap.

Calibration / cleaning

After changing the ink cartridges, PostBase One calibrates the ink cartridges and cleans the printing system. Please wait until the calibration has finished.

Adjustment

PostBase One continues with the ink cartridge adjustment procedure and prompts you to feed a letter for a test imprint. Follow the instructions on the display. For detailed information on the adjustment procedure, please read chapter 12.6 on page 113.

12.4 Changing the print heads *(PostBase One Bulk Ink)*

PostBase One monitors the status of the print heads and issues a message when they must be replaced.

We recommend that you always have a new FP print head kit in stock

We advice to clean the contacts in the print head bracket at each print head replacement. Use the special 'clean & renew' cleaning kit for ink-jet print systems, available at FP Mailing Solutions.



Warning! *Ingestion of the ink can be hazardous. Avoid contact with the eyes. Keep the print heads away from children. Further instructions for use are enclosed with the print heads.*



Caution! *To ensure proper imprints, please heed the following instructions when handling print heads:*

- *Use up within 12 months after opening the vacuum packaging.*
- *Always keep unprotected nozzles facing down.*
- *Handle with care when without nozzle protection.*



Caution! *Heed the following tips to avoid damage to the print system:*

- *Do not yank the print system flap open. Run the CHANGE CARTRIDGES function from the PRINT SYSTEM menu. The flap then opens by itself.*
- *We recommend to use only approved FP equipment and FP original parts. The manufacturer FP has established reliability, safety and applicability. The manufacturer cannot assess the reliability, safety and applicability for products not approved by FP, and therefore not vouch for such products.*
- *Always replace the print heads in pairs. Only insert new print heads.*



Caution! *There could be ink residues on the used print heads and the hose couplings.*

- *Take care not to soil your skin, your clothes, or objects near by.*
 - *Wipe the hose couplings with an absorbent cloth immediately after disconnection.*
 - *Use a mat to place the print heads.*
-



Changing the print heads

PostBase One tells you when to change the print heads.

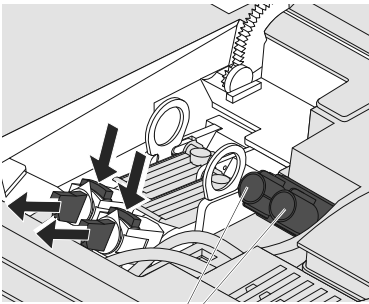
- Confirm the message.
- Open the MENU.
- Choose PRINT SYSTEM.
- Choose CHANGE CARTRIDGES.

The exchange procedure starts. PostBase One moves the print heads to the exchange position and opens the flap.

Removing the print heads

Disconnect hose couplings:

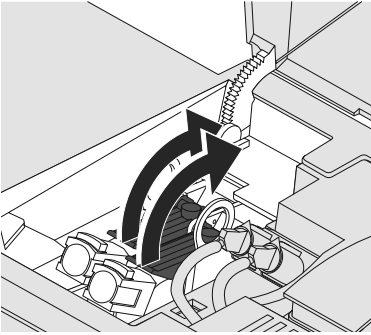
- Hold an absorbent cloth ready.
- Press to release and remove the coupling to the front.
- Wipe the hose coupling with an absorbent cloth.
- Put hose coupling in according stand-by position (**L** / **R**).
- Disconnect the coupling of the second hose in the same way.



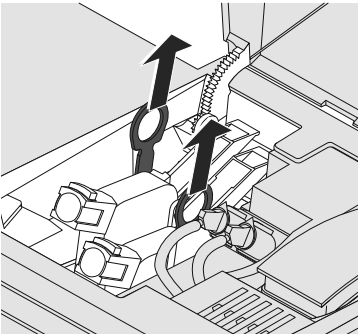
Stand-by position for hose coupling (L / R)



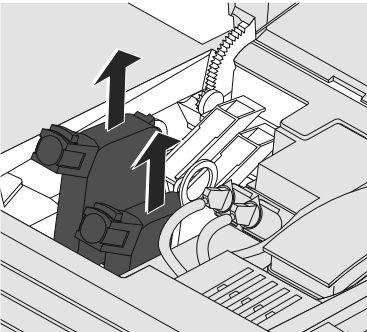
Use the stand-by position for the hose couplings also when using cartridges instead of print heads. The hoses will be fixed and not lay loosely.



- Release the print heads:
Turn the two blue-green levers upwards.



- Pull both lifters (blue-green) upwards.
The print heads are lifted from their brackets.



- Pull both print heads upward out of the bracket.

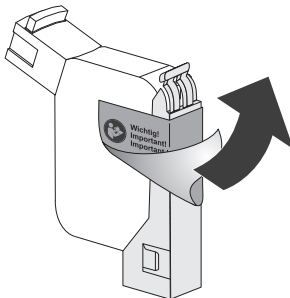
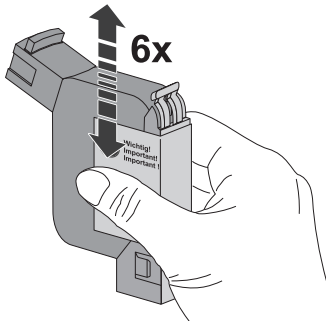
Inserting new print heads

The full functioning of the PostBase One mailing system at the time of delivery can only be guaranteed when using original Francotyp-Postalia print heads.



Caution! Insert the print heads only after they have adapted to the ambient temperature of the postage meter (e.g. after storage in the basement or after transport in a cold vehicle). Else, no correct calibration can be performed.

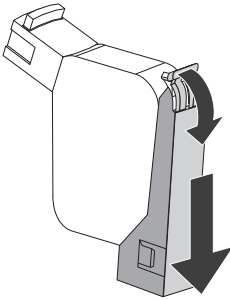
- Unpack the new print heads. Do not remove the nozzle protection yet.
- Shake each print head vigorously six times. Pigments, which may have settled, imingle optimally that way.



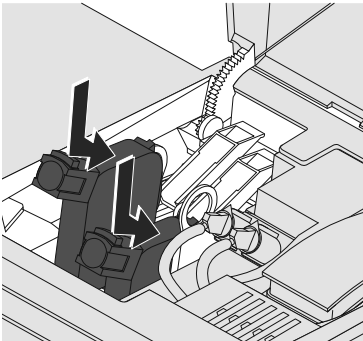
- Remove the sticker.



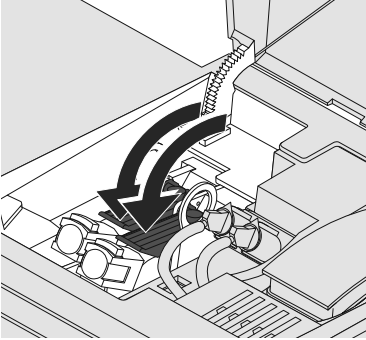
Caution! Do not touch the nozzle surface. Always keep unprotected nozzles facing down. Handle print heads without nozzle protection with extreme care.



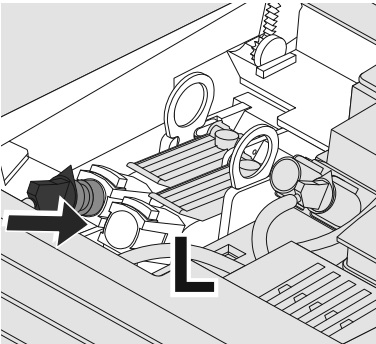
- Carefully remove the nozzle protection.



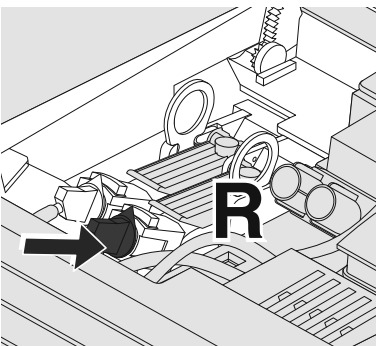
- Hold the print head with its connectors facing backwards, i.e. towards the back of the mailing system.
- Insert the print head into its bracket.
- Push down the print head as far as it goes.
- Finally, push the print head back gently – it will then tilt into the bracket.
- Insert the second print head in the same way.



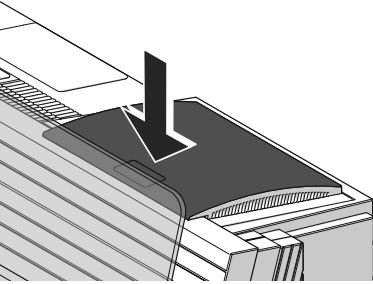
- Lock the print heads:
Turn the two blue-green levers downwards.



- Take hose coupling of the hose connection marked with **L** from stand-by position.
- Put hose coupling in **left** print head and push in firmly. Feel the coupling lock in place.



- Take hose coupling of the hose connection marked with **R** from stand-by position.
- Put hose coupling in **right** print head and push in firmly. Feel the coupling lock in place.



- Close the flap.

Note: If the flap cannot be closed correctly, adjust the position of the hoses by gently turning the black handles on the connection pieces.

Calibration / cleaning

After changing the print heads, PostBase One calibrates the print heads and cleans the printing system. Please wait until the calibration has finished.

Adjustment

PostBase One continues with the print head adjustment procedure and prompts you to feed a letter for a test imprint. Follow the instructions on the display. For detailed information on the adjustment procedure, please read chapter 12.6 on page 113.

12.5 Changing the ink tank *(PostBase One Bulk Ink)*

PostBase One will remind you when it is time to change the ink tank. If the ink tank is empty, PostBase One automatically initiates the tank change procedure. The mailing system is no longer ready for operation. You have to replace the ink tank before you can go on printing with PostBase One. We recommend always keeping a new ink tank in reserve.



Warning! *Ingestion of the ink can be hazardous. Avoid contact with the eyes. Keep the ink tank away from children. Further instructions for use are enclosed with the ink tank.*



Caution! *Heed the following tips to avoid damage to the print system:*

- *Do not yank the print system flap open. Run the CHANGE INK TANK function from the PRINT SYSTEM menu. The flap then opens by itself.*
- *We recommend to use only approved FP equipment and FP original parts. The manufacturer FP has established reliability, safety and applicability. The manufacturer cannot assess the reliability, safety and applicability for products not approved by FP, and therefore not vouch for such products.*
- *Only insert new ink tanks.*



Caution! *There could be ink residues on the used ink tank.*

- *Take care not to soil your skin, your clothes, or objects near by.*
 - *Use a mat to place the ink tank.*
-

Changing the tank

PostBase One tells you when to change the ink tank.

- Confirm the message.
- Open the MENU.
- Choose PRINT SYSTEM.
- Choose CHANGE INK TANK.



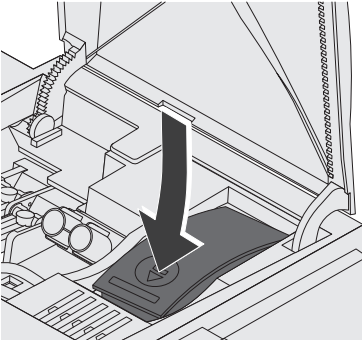
The exchange procedure starts.

PostBase One opens the flap of the print system.

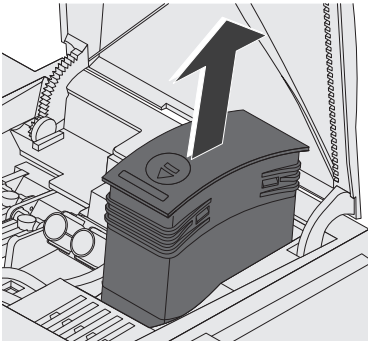
Remove the ink tank

- Press on the recess on the tank lid, press down the tank, and pull forward at the same time.

The tank is now unlocked and rests loose in its bracket.



- Pull the tank upward out of the bracket.



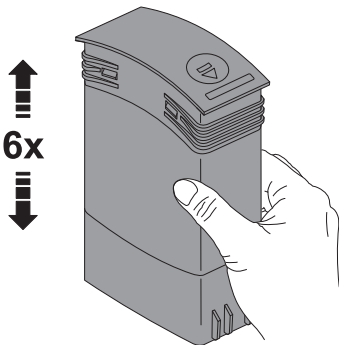
Insert new ink tank

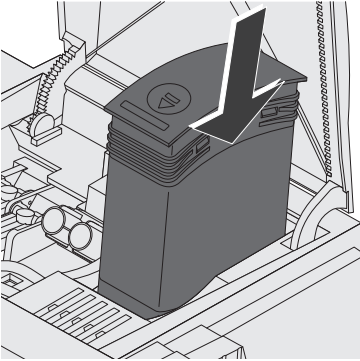
The full functioning of the PostBase One mailing system at the time of delivery can only be guaranteed when using original Francotyp-Postalia ink tanks.

- Unpack the new ink tank.

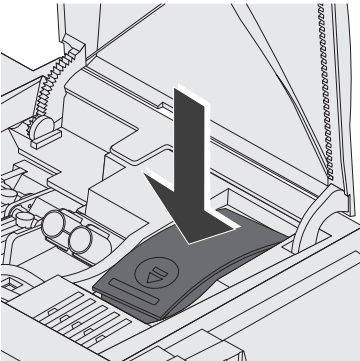
To ensure the pigments, which may have settled, imingle optimally:

- Shake the ink tank vigorously six times.

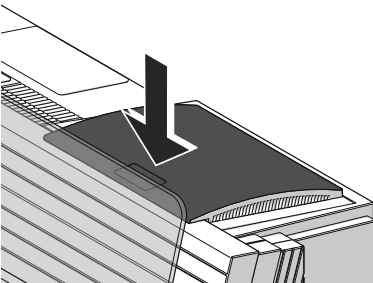




- Insert the ink tank as illustrated.



- Push down the ink tank. The ink tank locks into its bracket.



- Close the flap.

12.6 Aligning ink cartridges / print heads

You must align the ink cartridges / print heads when there are shifts in the meter imprints. Alignment will ensure your imprints are free of shifts. The adjustment procedure is done in the same way, irrespective of the ink system.

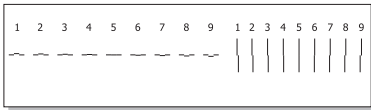
The adjustment procedure starts automatically after changing the ink cartridges / print heads.



Starting the alignment procedure

- Open the MENU.
- Choose PRINT SYSTEM.
- Choose ALIGNMENT in the submenu.
- Place an empty envelope for the test print.

PostBase One prints a test print.

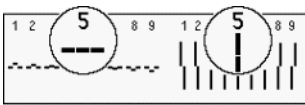


- On the test print, determine the numbers where
 - the horizontal lines are as exactly next to each other as possible and
 - the vertical partial lines are as exactly above each other as possible.

Correctly aligned

The ink cartridges / print heads are correctly aligned when horizontal and vertical partial lines form one line each at number 5.

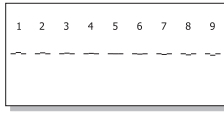
- Press FINISH to quit the procedure.



Not aligned correctly

When horizontal and / or vertical partial lines do not form one line each at number 5:

- Press CHANGE to continue the alignment procedure.

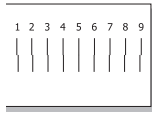


Horizontal line

- Type the number where the horizontal partial lines are as exactly next to each other as possible.
(If necessary: Press CE to clear the displayed number.)

- Confirm with CONTINUE.

Vertical line



- Type the number where the vertical partial lines are as exactly above each other as possible.
(If necessary: Press CE to clear the displayed number.)

- Confirm with CONTINUE.
- Place an empty envelope for another test print.
- Assess the test print. If necessary, repeat the alignment procedure until a correct alignment has been obtained.

12.7 Cleaning the print system

12.7.1 Starting automatic print system cleaning

You should start automatic print system cleaning only if the quality of the imprint is not good enough (e.g. blank spots in the imprint after longer periods out of use).



Cleaning

- Open the MENU.
- Choose PRINT SYSTEM.
- Choose CLEANING.

A message informs you about the cleaning process in progress.

- Check the quality of the imprint with a test print (see page 30).

Intensive cleaning

You should start intensive cleaning if normal cleaning fails to improve the print quality to your satisfaction.



- Open the MENU.
- Choose PRINT SYSTEM.
- Choose INTENSIVE CLEANING.

A message informs you about the cleaning process in progress.

- Check the quality of the imprint with a test print (see page 30).



When the print system is heavily stained, it is possible that even intensive cleaning process does not improve the print quality as expected. In such cases, it may help to manually clean the ink cartridges / print heads (see page 116).

12.7.2 Cleaning ink cartridges / print heads by hand



Caution! Improper cleaning may damage the ink cartridges / print heads or render them unusable. Heed the following tips to avoid damage to the print system:

- If you encounter imprint quality issues, always perform one of the system cleaning functions available from the MENU first. Please refer to chapter 12.7.1 on page 115.
- You should only clean the ink cartridges / print heads manually in exceptional cases when automatic cleaning fails to restore the normal print quality.
- Only use a soft, fibreless cloth that is moistened with de-ionized water for cleaning. Small fibres might clog the nozzles. A cloth that is dry or not soft enough may cause scratches. Such scratches make the cartridge / print head become unusable, because they prevent the ink jet from being correctly positioned during printing.
- Do not use chemical cleaning agents.

Moving the ink cartridges / print heads into the changing position



- Open the MENU.
- Choose PRINT SYSTEM.
- Choose CHANGE CARTRIDGES.

PostBase One moves the ink cartridges / print heads to the exchange position and opens the flap.

Removing the cartridges / print heads

- Remove one ink cartridge / print head.



For detailed instructions on how to remove and insert ink cartridges, see chapter 12.3.

For detailed instructions on how to remove and insert print heads (*PostBase One Bulk Ink*), see chapter 12.4.

Cleaning

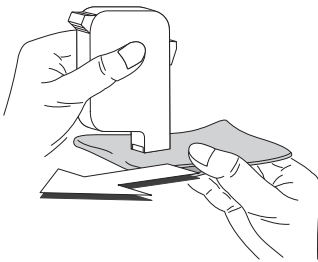
- Moisten a soft, fibreless cloth with de-ionized water.



If you do not have de-ionized water at hand, you can also use distilled or tap water. However, tap water contains minerals that may stain the cartridge / print head.



For best cleaning results, use FP contact cleaner and cleaning cloths contained in the 'clean & renew' cleaning kit offered by FP Mailing Solutions.



- Hold the cartridge / print head as indicated. The nozzles face down!
- Wipe the cartridge / print head slowly and very softly with the cloth in the direction of the arrow. Repeat this procedure a few times.

The water will blend with ink residues and clean the nozzles.

- Re-insert the cartridge / print head.
- Remove the other cartridge / print head and clean it in the same way.
- Re-insert the cartridge / print head.
- Close the print system flap.
- Adjust the ink cartridges / print heads (see chapter 12.6, page 113).

12.8 Replacing the ink fleece

PostBase One will remind you when it is time to change the ink fleece.

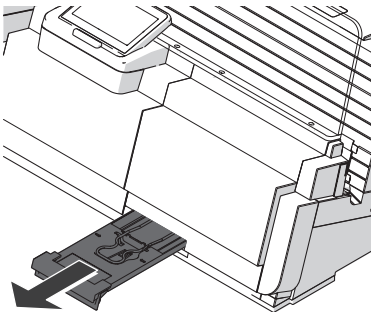


Caution! Take care not to soil your skin, your clothes, or objects near by. Use a mat to place the fleece tray.

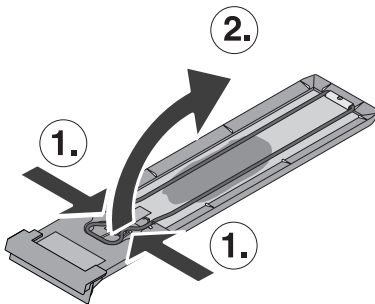


- Open the MENU.
- Choose PRINT SYSTEM.
- Choose CHANGE INK FLEECE.

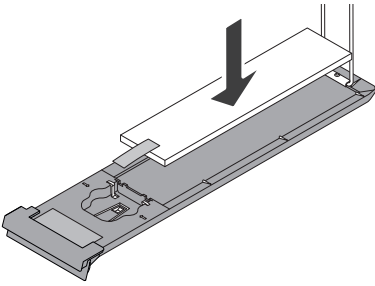
PostBase One opens the wizard for changing the ink fleece.



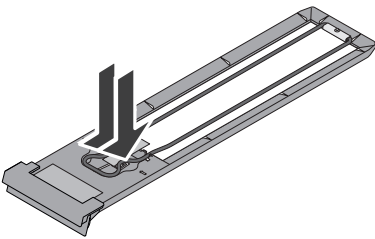
- Remove the fleece tray to the front.
- Place the fleece tray on a mat.



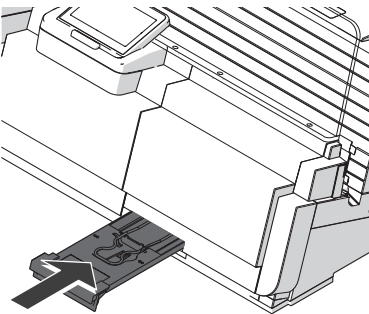
- Compress the clamp at its indentations with two fingers (1) and lift it upwards (2).
- Remove the ink fleece.



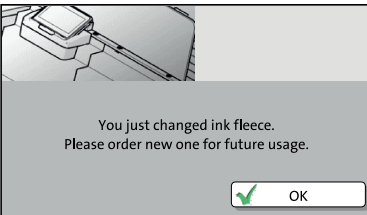
- Insert a new ink fleece as shown in the illustration.



- Move the clamp downwards until it snaps back into place.



- Push in the fleece tray as far as it will go.
- CONFIRM the replacement of the ink fleece.



In a pop-up, PostBase One informs you that the ink fleece was replaced.

- Confirm the pop-up with OK.

PostBase One is ready for operation again.

12.9 Topping up sealing liquid *(PostBase One with sealer)*

With the sealer, you received a bottle with 'sealit' sealing liquid. Please note that we can assure reliable sealing results only when you use 'sealit'. This special sealing liquid is available from FP Mailing Solutions.

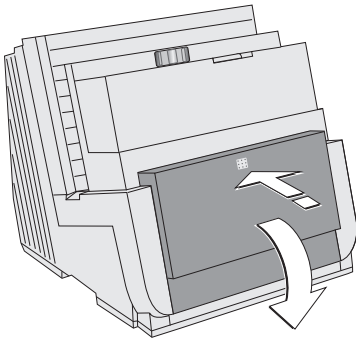
Using tap water is possible. Note, however, that the sealing process may be less reliable when using water.



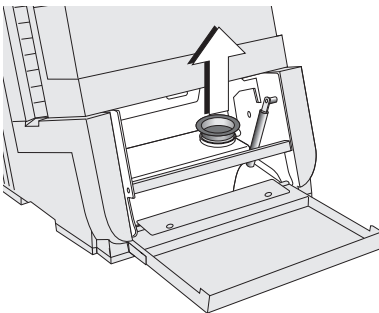
Warning! Switch off the PostBase One mailing system and all components connected to it prior to topping up sealing liquid.



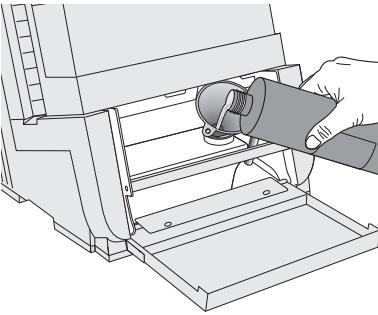
Warning! Be extremely careful when handling liquids. If you fill the sealant tank, make sure not to wet any parts connected to the mains. If this should happen, immediately pull the power plugs. Have the PostBase One mailing system checked by FP Customer Service before using it again.



- Switch off PostBase One and all components connected to it.
- Open the lid: Press on the marker, then flap down the lid.



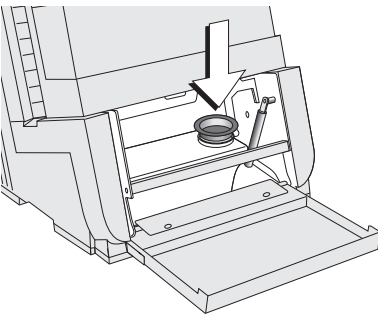
- Pull out the yellow plug of the sealant tank.



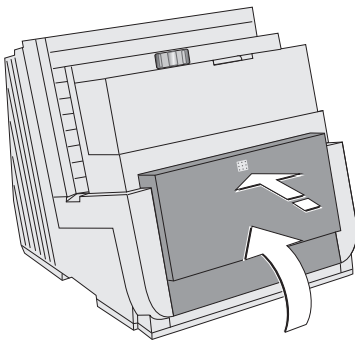
- Put a funnel in the filler hole.
- Fill the tank with sealing liquid.
The sealant tank holds up to 800 ml.
- Pull out the funnel.



Retain the funnel, the closing with suction pipe and an empty bottle of the sealing liquid. You need the original bottle in case you have to drain the tank.



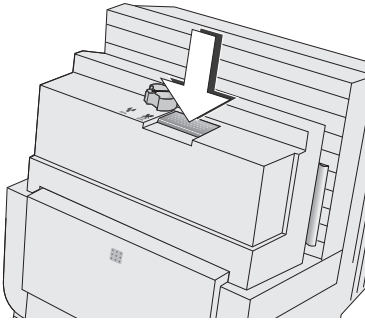
- Re-insert the plug into the filler hole of the sealant tank.



- Close the lid and gently snap it in its lock.
- It is now safe to switch the mailing system back on.

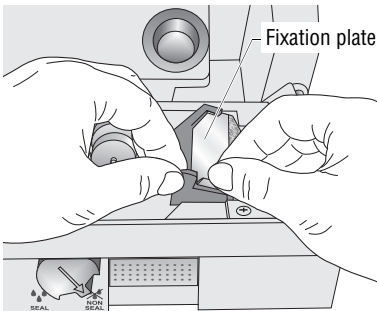
12.10 Clean / replace the sponge *(PostBase One with sealer)*

The sponge for moistening the envelope flaps should be cleaned regularly (e.g. always after weekend). Check the condition of the sponge and replace it if exhausted. We recommend always keeping a new sponge in reserve.

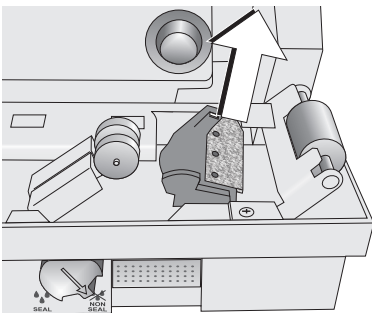


- Switch off PostBase One and all components connected to.
- Press the release key.

The moistening unit swings to the front by itself.



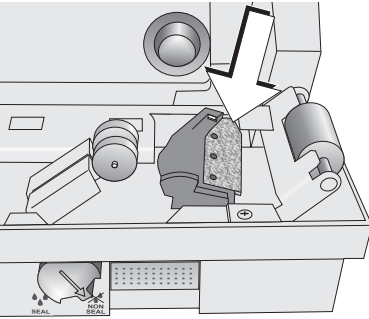
- Hold the moistener as illustrated.
- Slightly press down the lug of the fixation plate and remove the fixation plate.



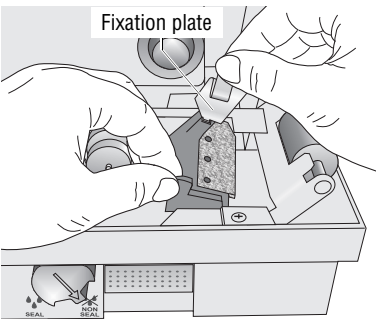
- Remove sponge.
- Check if the sponge is in proper state.
- To clean the sponge: rinse with plenty of water to remove glue residues.

Or

- Replace the exhausted sponge.
- Moisten the new sponge prior to insertion. Thus, you make sure that the flaps will be correctly moistened from the start.



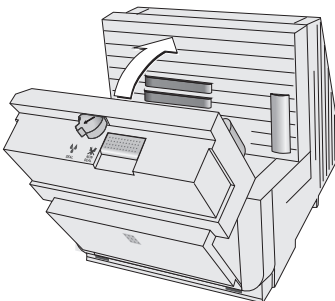
- Insert a new / the cleaned sponge.



- Hook the fixation plate into the lower part of the moistener as illustrated.
- Snap in the upper part of the fixation plate.



Warning: Mind Your Hands! When closing the unit, do not reach into the area between the moistening unit and the letter guide face.

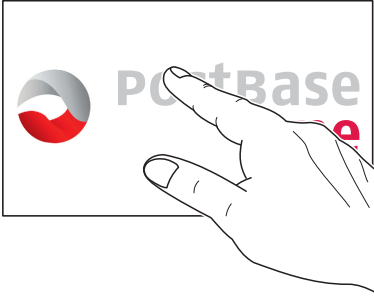


- Lock the moistening unit back in place.

It is now safe to switch the mailing system back on.

12.11 Calibrating the touch screen

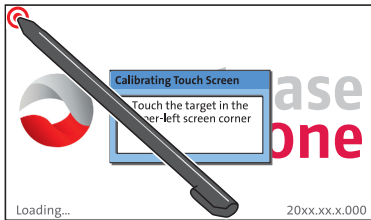
You have to calibrate the touch screen when operating the screen with your finger or with the stylus does not work correctly.



- Turn on the PostBase One.

As soon as the screen displays the PostBase One logo:

- **Touch and hold your finger in the middle of the display** until the calibration procedure starts.



A red circle (the first calibration circle) appears in the upper left corner.

- Touch the red circle with the stylus.
- Follow the further instructions on the display: Touch each of the displayed calibration circles with the stylus.

PostBase One will continue its start routine. The touch screen is now calibrated.

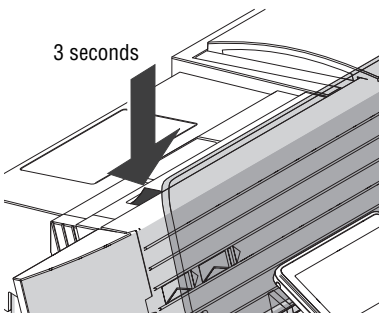
12.12 Replacing the battery

PostBase One monitors the charging state of the battery. A display message appears when it is time to replace the battery.

We recommend to use only a battery 90.4701.8004.00 provided by Francotyp-Postalia. The manufacturer FP has established reliability, safety and applicability. Observe the instructions enclosed with the battery for correct use and disposal.



Caution Switch off the PostBase One. Pull the power plugs out of the power socket prior to replacing the battery.

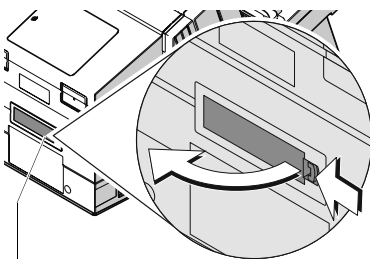


- Switch off the mailing system: press the rocker switch for three seconds.
- Pull the power plugs of all components from the socket.

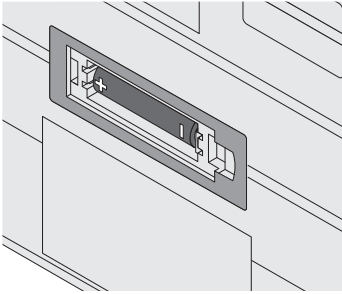
The battery compartment is located at the rear of the machine.

If you have to turn the PostBase One to get access to the machine's back:

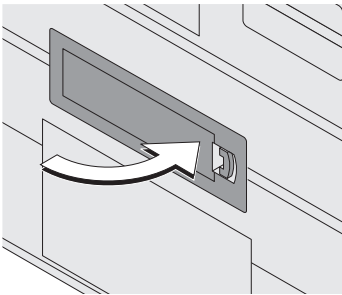
- Disconnect all cable connections.
- Dismantle the mailing system as far as necessary (see appendix, page 149).
- Push in the clip-lock of the battery compartment cover in the direction of the arrow and remove the cover.
- Remove the empty battery.



Battery compartment



- Insert new battery (90.4701.8004.00). Make sure that the polarity is correct! Symbols in the battery compartment depict the correct polarity.

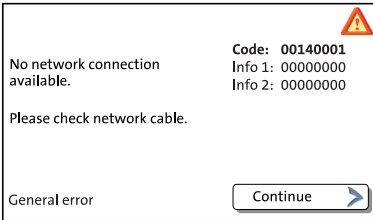


- Close the battery compartment.
- Set up all additional components of the mailing system if necessary (see appendix, page 159).
- Re-insert the power cable(s) of the mailing system.
- Dispose of the empty battery as prescribed.

It is now safe to switch the mailing system back on.

13 Tips for troubleshooting

13.1 Error messages



An error message appears on the display in case of an error or handling error. An additional beep may also indicate an error.

Make sure to carefully read the error message. You will be given hints on the error cause and what you can do to remedy it.

A symbol indicates the error group (e.g. 'General error'). For an overview of error group symbols, refer to page 148.

You can correct many minor errors and issues occurring during PostBase One operation yourself.



Please contact the Customer Service if you cannot remedy an error by means of the display information and the hints given in the present Operator Manual.

13.2 Possible causes and remedy

This chapter offers tips for troubleshooting, grouped by the types of problems

- ... when metering (page 128)
- ... when weighing (page 129)
- ... general errors (page 131)
- ... with downloading postage (page 132)
- ... when using special functions (page 132)
- ... with basic settings, during maintenance and care (page 133)
- ... with automatic feeding (page 134)
- ... with automatic sealing (page 135)
- ... with using the FP software (page 136).

Issue	Possible cause and remedy
... when metering	
<p>Label metering:</p> <ul style="list-style-type: none"> – separation error – jam. 	<p>The labels used were not well suited. Follow the instructions for label printing on <i>page 55</i>.</p> <hr/> <p>Labels stick to one another. Take the labels out of the dispenser. Slacken / fan the label stack and reinsert it.</p> <hr/> <p>Label package incorrectly inserted (slid in too far). Take labels from label dispenser. Put them in correctly (<i>see page 55</i>).</p> <hr/> <p>Too many labels in the dispenser. Never insert more than 1 package (25 labels) at a time.</p> <hr/> <p>Internal problem of label print function. Contact Customer Service.</p>
<p>Label metering: Button 'Label' is missing.</p>	<p>Dynamic weighing is active for the current product. Select 'Static scale' (<i>see page 36</i>).</p>
<p>Letter transport fails to start.</p>	<p>PostBase One does not show the Home screen. Return to the Home screen and try again</p> <hr/> <p>Sensor does not recognize letter. Position the letter again.</p>
<p>Letter transport stops or does not start.</p>	<p>Safety cap has been released. Please refer to <i>chapter 13.5 on page 139</i>.</p>
<p>Metering not possible.</p>	<p>No product / postage set because</p> <ul style="list-style-type: none"> – mailing data are incomplete or – weight value is missing. <p>Check product setting (<i>see chapter 4.1, page 34</i>).</p> <hr/> <p>No credit left in the postage meter. Download postage (<i>see chapter 7, page 60</i>).</p> <hr/> <p>Maximum postage value for metering exceeded. Please contact the system administrator.</p>

Issue	Possible cause and remedy
<p><i>(Continued)</i></p> <p>Metering not possible.</p>	<p>Credit of the current user is too low. Have the system administrator assign new credit.</p> <hr/> <p>PC Software Mode is switched on. PostBase One meters only if data exchange between postage meter and PC is possible.</p> <p>Check if the USB cable is plugged properly into the postage meter and the PC.</p> <p>Start the FP software (e.g. RemoteOne) on the PC/ connect with PostBase One.</p>
<p>Print quality: Blank spots.</p>	<p>Clean print system <i>(see chapter 12.7, page 115)</i>.</p>
<p>Print quality: Offsets / shifts in the imprint.</p>	<p>Align the ink cartridges / print heads <i>(see chapter 12.6, page 113)</i>.</p>
<p>... when weighing</p>	
<p>No confirmation beep.</p>	<p>Adjust tone signals <i>(see chapter 11.3, page 81)</i>.</p>
<p>Static scale: No weight is determined for mail piece placed on the weighing platform.</p>	<p>The weighing platform was still occupied when another mail piece was placed on it. The scale can determine a new weight only if the scale has been emptied beforehand.</p> <p>Empty the weighing platform. Place the mail piece.</p> <hr/> <p>Letter transport is still running. Wait until letter transport stops.</p> <hr/> <p>The scale operates in the 'Differential weighing' mode. The weight is determined upon removing the mail piece from the weighing platform <i>(see chapter 4.1.2.2, page 38)</i>.</p>

Issue	Possible cause and remedy
<p><i>(Continued)</i></p> <p>Static scale: No weight is determined for mail piece placed on the weighing platform.</p>	<p>PostBase One does not recognize the scale. Turn off the PostBase One. Check whether the scale is correctly connected to the postage meter (<i>see page 165</i>). Turn the PostBase One on again. Contact Customer Service if the problem persists.</p> <hr/> <p>The scale is defective. Turn off the PostBase One. Unplug the scale from the postage meter. Turn the PostBase One on again. You have to enter the weight for postage calculation manually in the Product Calculation menu when using PostBase One without scale (<i>see chapter 4.1.3, page 43</i>).</p> <hr/> <p>The weight is too low or the scale is overloaded. Use scale for mail pieces of the permitted weight range only.</p>
<p>Weighing: Static and / or dynamic scale fails to determine the weight.</p>	<p>PostBase One does not recognize the scale. Turn off the PostBase One. Verify that all connection cables have been properly plugged in (<i>see page 164</i>). Turn the PostBase One on again. Contact Customer Service if the problem persists.</p> <hr/> <p>The scale is defective. Contact Customer Service. You have to enter the weight for postage calculation manually in the Product Calculation menu when using PostBase One without scale (<i>see chapter 4.1.3</i>).</p>
<p>Weighing: Dynamic scale indicates a pre-load that is too heavy.</p>	<p>A foreign object is stuck in the letter transport. Check the letter transport / weighing area of the dynamic scale for foreign objects (visual inspection). Carefully remove any foreign object(s). If the error occurs repeatedly: Contact Customer Service.</p>

Issue	Possible cause and remedy
... general errors	
Accounts are missing.	The current user is not allowed to meter on the desired account. Contact the system administrator.
Blank display.	Check whether the power cable is plugged in correctly and the PostBase One is turned on. PostBase One is in standby. Briefly touch the display.
Functions are missing in the display (e.g. advertising imprint).	Unavailable functions are blanked out (e.g. when printing the postage correction imprint, advertising imprints are not available).
Lost PIN (administrator PIN).	Select LOST PIN. Follow the prompts in the display.
Lost PIN (user PIN).	Contact the system administrator.
No users available.	When deactivating access control, all users are deleted. Create new users with the PC software.
PostBase One makes sounds without any apparent reason.	The bulk ink print system may cause sounds due to pumping and deairing. These are normal sounds that are related to their function, thus they are no errors.
Touch screen fails to react when touched.	Turn off the PostBase One. Calibrate the touch screen (<i>see chapter 12.11, page 124</i>).
User PIN is not accepted.	Did you select the correct user? Press BACK. Select the correct user. Contact the system administrator.

Issue	Possible cause and remedy
Error message: “FSCP connection plug missed ...”	Verify that the FSCP plug (termination plug) has been connected to the FSCP interface correctly (<i>see page 164</i>). Verify that all connection cables between the system components have been plugged in and screwed correctly (<i>see page 164</i>).
... with downloading postage	
Desired amount cannot be loaded.	Impermissible amount. Change amount and repeat the procedure.
Function not available.	The current user is not authorized to access this function. Contact the system administrator.
PostBase One fails to establish connection to the data center.	Verify that the network cable is properly connected (<i>see page 164</i>). Check the connectivity settings (<i>see chapter 11.9, page 85</i>). Repeat the procedure. Data center issue. Try again later.
... when using special functions	
Advert Only: the advertising imprint is not printed on the expected position on the letter.	Imprint offset is active. Disable the imprint offset or set a suitable value (<i>see chapter 4.4, page 46</i>).
Print Numbers: the number is not printed on the expected position on the letter.	Imprint offset is active. Disable the imprint offset or set a suitable value (<i>see chapter 4.4, page 46</i>).
Seal Only: letters are transported, but not sealed.	Sealing function is disabled. Turn the envelope sealing switch to the position SEAL (<i>see chapter 3.6, page 21</i>).

Issue	Possible cause and remedy
... with basic settings, during maintenance and care	
<p>Ink cartridges / print heads / ink tank are not detected.</p>	<p>Ink cartridges / print heads / the ink tank are not fitted correctly. Remove and insert the ink cartridges / print heads / ink tank once again.</p> <hr/> <p>Wrong ink cartridges / print heads / ink tank inserted. Observe the specifications (<i>see page 175</i>).</p> <hr/> <p>Contacts of the print system are soiled. Use the FP 'clean and renew' cleaning kit to clean the contacts.</p> <hr/> <p>Ink cartridges / print heads / ink tank defective. Contact Customer Service.</p>
<p>Print system cleaning fails to improve the print quality.</p>	<p>Ink cartridges / print heads heavily soiled or dried up. Repeat cleaning: Function 'Intensive Cleaning'. If you cannot solve the problem: Clean ink cartridges / print heads by hand (<i>see chapter 12.7.2, page 116</i>).</p>
<p>Print system flap cannot be closed correctly.</p>	<p>On the PostBase One Bulk Ink, the connecting hoses leading from the tank to the print heads might push against the flap. Gently turn the black handles of the connection pieces on the print head. Thus, you can alter the position of the hoses.</p>

Issue	Possible cause and remedy
... with automatic feeding	
Feeding deforms or damages letters.	Reduce separation (<i>see chapter 3.5.2.3, page 19</i>). Notice the suggested settings for separation (<i>see table on page 17</i>).
Jam.	Check setting of letter path (slide control) and adjust accordingly (<i>see chapter 3.5.1, page 16</i>). Check and adjust settings for separation (<i>see chapter 3.5.2, page 17</i>). On how to clear a letter jam, please read <i>chapter 13.3, page 137</i> and <i>chapter 13.4, page 138</i> .
Letters are not correctly separated.	Check setting of letter path (slide control) and adjust accordingly (<i>see chapter 3.5.1, page 16</i>).
Letter transport does not start.	PostBase One does not display the Home screen / the 'Batch Processing' pop-up. Sensor does not recognize the letters. To start letter transport: In the 'Batch Processing' pop-up, press the START button. Feeder cover is open. Re-place cover correctly on the feeder. The cover must latch audibly (<i>see page 19</i>).
Letter transport is stopped / batch processing was interrupted.	Jam. Carefully read the displayed information. On how to clear a letter jam, please read <i>chapter 13.3, page 137</i> and <i>chapter 13.4, page 138</i> . The batch counter is turned on. After the pre-set number of mail pieces have been processed, PostBase One will automatically stop. Disable the batch counter or adjust the target count (<i>see chapter 5.3.2.3, page 53</i>).
Separation error, letter interval too close.	Reduce pressure (<i>see chapter 3.5.2.2, page 18</i>). Notice the suggested settings for separation (<i>see table on page 17</i>).

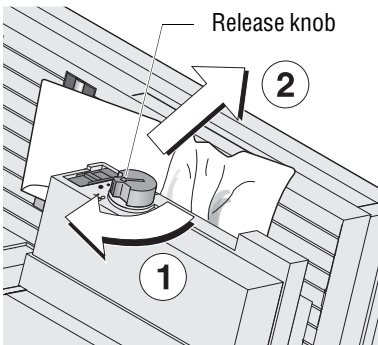
Issue	Possible cause and remedy
... with automatic sealing	
<p>Envelopes are not sealed.</p>	<p>Sealing function is disabled. Turn the envelope sealing switch to the position SEAL (see chapter 3.6, page 21).</p>
	<p>Sealant tank is empty. Fill the sealant tank with 'sealit' sealing liquid (see chapter 12.9, page 120).</p>
<p>Envelopes are not properly sealed.</p>	<p>Stroke your hand firmly over the envelope's / letter stack's flap area.</p>
	<p>Sponge is too dry. Pump sealing liquid into the moistening unit: MENU → MOISTENER → START PUMP (see also chapter 11.16, page 94).</p>
	<p>Sponge is dirty or worn. Clean or replace the sponge (see chapter 12.10, page 122).</p>
	<p>You have used unsuited envelopes. Only use envelopes that are suited for sealing by machine. Observe specifications (see page 178).</p>
	<p>Adjust moistening (see chapter 11.16, page 94).</p>
<p>PostBase One warns you about an empty sealant tank, although there is still enough sealing liquid in the tank.</p>	<p>Use the special 'sealit' sealing liquid available from FP Mailing Solutions.</p>
	<p>Tap water might produce air bubbles (depending on the water quality of your local water supply), which may interfere with correct filling level detection. On the sealer: Open the lid. Pull out the yellow plug. (See page 120.)</p>
	<p>The filling level sensor is located front-right of the inner side of the tank. Using a finger, wipe over the sensor several times. Close the sealant tank. Close the lid. (See page 121.) If problem persists: Use 'sealit' sealing liquid or distilled water.</p>


Issue	Possible cause and remedy
... with using the FP software	
Connection to FP software cannot be established.	Check if PostBase One displays the Home screen. Check if the USB cable is plugged properly. For further help please refer to the manual of the FP software in use.
Other errors ...	If you cannot remedy an error yourself, please contact Customer Service.

13.3 Clearing a letter jam in the feeder




Warning: Mind Your Hands! The mechanism is pressed by springs to the letter guide. It does not lock when released, but snatches back. Be cautious when removing jammed letters from the letter path.



- Turn release knob toward the position  till stop and hold in that position (1).

The pressure mechanism is released and unclamps the letter.

- Carefully remove the stuck letter to the top right (2).
- Let the release knob snatch back guardedly to initial position .

The pressure mechanism is set back to processing position. The feeder is ready to operate.

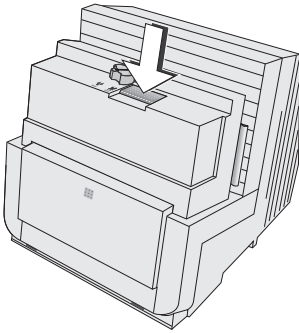
- Please heed the information on the postage meter's display.



If you cannot clear a letter jam by following the above instructions:

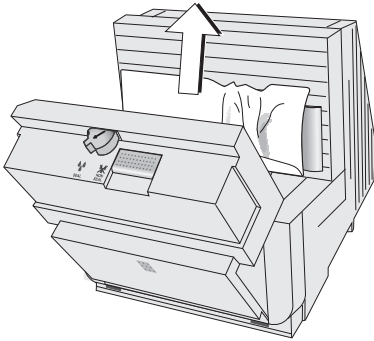
- Pull cover from feeder (refer to page 18).
- Remove letter as described above.
- Re-place cover on feeder (refer to page 19).

13.4 Clearing a letter jam in the sealer



- Press the release key.

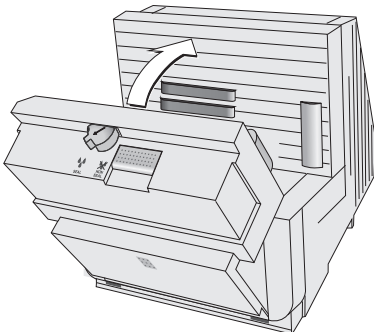
The moistening unit swings to the front by itself.



- Remove the letter.

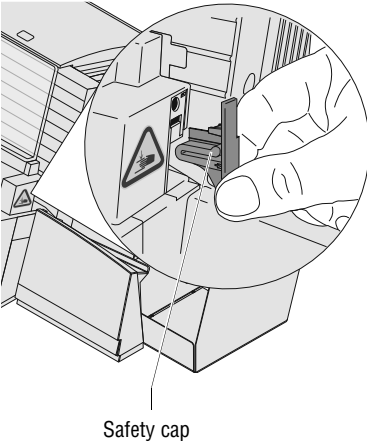


Warning: Mind Your Hands! When closing the unit, do not reach into the area between the moistening unit and the letter guide face.



- Lock the moistening unit back in place.
- Please heed the information on the postage meter's display.

13.5 Safety cap has been released – letter transport stops



The safety cap helps to avoid injury that may be caused by improper handling within the letter exit of the postage meter.

When the safety switch is activated, the safety cap is released and the letter transport stops immediately. An error message is issued, informing you about the problem.

- Remove the cause which led to the activation of the safety switch.
- Snap the safety cap back into place.



Warning: Mind Your Hands! By no means must you try to block or fasten the safety cap. Any fastening of the safety cap prevents it from being released in the case of a jam or an unauthorized interference, thus rendering the whole safety switch concept inoperative.

14 Decommissioning and disposing of the mailing system

To ultimately decommission the PostBase One, you must correctly unsubscribe all postal services. PostBase One will guide you through all required decommissioning steps in a dialog. We are pleased to assist if required. Please contact the Customer Service.

In case of a rented or leased mailing system, please make sure to always contact the Customer Service.



Caution! Run the 'Withdraw machine' function only if you really want to decommission the PostBase One. Commissioning the postage meter after decommissioning is only possible by calling a service technician at extra costs.



- Make sure PostBase One is ready to connect to the data center.
- Open the MENU.
- Choose WITHDRAW MACHINE.
- Follow the instructions on the display. Make sure to carefully read the information!
- For disposal of the mailing system, please contact the Customer Service.

Graphical symbols, safety signs and product safety labels on the PostBase One mailing system

The following graphical symbols, safety signs and product safety labels may be used on the PostBase One mailing system for example, depending on the respective version. You will find the product safety labels on the type plates of the individual products.

The following overview lists and explains them.



Warning: Mind Your Hands.

This safety sign is used to identify hazardous areas of the mailing system where injury to the hands might occur.



GS Mark. “Geprüfte Sicherheit” (Tested safety) according to the requirements of the German Product Safety Act (ProdSG).
Tested by the accredited laboratory NEMKO.



CE label.

With this label, the manufacturer declares that the product meets the requirements of all relevant EU directives that require such labelling.



Nemko certification mark.

The approval mark indicates that the product complies with the applicable standards as required in the USA and Canada.

Nemko-CCL is a NRTL (nationally registered testing lab), which is entitled to perform this test. Product tested in accordance with IEC 60950-1.




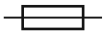
The crossed garbage can is a mark for electrical and electronic equipment (WEEE directive) and means the following:

The product may not be disposed of with household waste.

The bar below the garbage can indicates that the product was marketed after 13 August 2005.


For proper disposal and recycling of the PostBase One mailing system, please contact the FP Customer Service.


 Symbol for alternating voltage.
Indicates the type of the input voltage.


 Symbol / Wiring symbol for a fuse.
This symbol always stays along with the details of the fuse used.

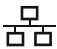
IOIOI Serial interface for connection of external devices.

FSCP Interface for connection of optional components (e.g. feeder, sealer).
The abbreviation FSCP stands for Franking System Control Protocol.


 Interface for static scale connection.


 Interface for connection to a personal computer (PC).


 USB port.
Interface for connection to external USB devices.


 Interface for connection to a local computer network (LAN).


CAN-BUS The CAN bus is a serial bus system.
The abbreviation CAN stands for Controller Area Network.


 Rocker switch on / off.

 Switch position: sealing function is enabled.

 Switch position: sealing function is disabled.

 Indicates the positioning of mail pieces.

 Indicates the positioning of labels.

 Feeder: Indicates the switch position for letter jam removal.

User interface symbols (overview)

The following overview shows and explains the symbols in the user interface of the PostBase One mailing system, grouped by

- standard buttons and status indications
- menu functions
- error categories.

Standard buttons and status indications



Open the Product Calculation menu (setting mailing data / postal product)



Open the Menu
(access system settings, special features, administration functions)



Batch processing with the feeder and / or label printing
Use feeder



Use label print function / metering labels



No scale available
(in the Product Calculation menu, use the 'Manual weight input' option for setting the weight manually)



Static scale is active: normal weighing mode (differential weighing = off)



Static scale is active: differential weighing mode
(differential weighing = on)



Dynamic weighing feature is used



Dynamic weighing feature is disabled



OK / Finished / Confirm / Save / Yes



Cancel / No



Continue



Back



Scroll left / right (in lists)



Scroll up / down



Edit / Change



Start label printing / automatic feeding (batch processing)



Stop label printing / automatic feeding (batch processing)

Menu functions



Download postage



Display postage download report (with print function)



Set date for the meter imprint (forward dating)



















Print system



Display print system information:
filling level of the ink cartridges / filling level of the ink tank and state of the
print heads (*PostBase One Bulk Ink*)



Print head status / remaining service life

-  Clean print system
-  Align ink cartridges / print heads
-  Change ink cartridges / print heads
-  Change ink tank
-  Change ink fleece
-  Calibrate ink cartridges / print heads
-  Run remote services / synchronize with data center
-  Change account
-  Switch account function on / off,
Account administration (show / print list, set accounts to zero)
-  Special functions
-  Print advertising imprint only
-  Print incoming mail stamp
-  Feed only
(count mail pieces, prepare bulk mail for dispatch in counted stacks)
-  Seal only
-  Print numbers (consecutive numbering)
-  1-2-3
Direction of counting: ascending

3-2-1 Direction of counting: descending



Set imprint offset



Configure 'Auto postage download' feature (turn on / off, set threshold)



Display / reset piece counter



Adjust display brightness



Brighter



Default



Darker



Adjust moistening



Increase moistening of envelope flaps



Default moistening



Decrease moistening of envelope flaps



Display system information (postal serial number, software version, rate table version, ...)



Change user interface language



Display / edit connectivity settings (network connection)



Upload product data



Withdraw machine



Set sound signals



Edit standby time



Configure 'Auto Off' feature / adjust 'Auto Off' time



Configure access control / set PIN



Display contact information



Change ZIP Code / Re-authorization



Set meter type:

0.00 (postage in integer cents) or 0.000 (postage in tenths of cents.)



Product after Standby



PC Software Mode



Access service mode (for service technicians only)

Error categories



General error



Cliche error



Account error



Feeder error



Print system error



Scale error



Label dispenser error



Letter transport error, jam



Security device error



Communication error with the PC *(when using the optional PC control software)*



Product calculation error



Communication error with FP infrastructure

Moving the PostBase One to another location



Warning! When moving the PostBase One mailing system to another location, please observe the following tips for your own safety:

- Switch off the mailing system and all components connected to it prior to dismantling and transporting them.
- The PostBase One postage meter weighs around 44 lb (20 kg). You are advised to seek the help of another person when moving the postage meter.



Warning: Mind Your Hands! Be very careful when handling the power sealer. As a consequence of its construction design, the power sealer has very sharp edges that might hurt you.



Caution! Please observe the following tips to avoid damage to the PostBase One mailing system:

- Have the PostBase One mailing system with dynamic scale moved by FP Customer Service. Improper moving or transport of the dynamic scale may result in damage to the scale system.
 - Empty the sealant tank completely before transporting the sealer.
 - Do not use attached parts like the hand feed tray, the protective glass, or the label dispenser as 'handles' during transport.
The best way to handle the components is to hold them at the lower part of the housing at the clearance normally used for the housing connectors.
 - Always move the mailing system in a horizontal position.
 - We recommend using the original packaging in case you have to move the mailing system or send it to the FP Customer Service.
 - Once you have brought the mailing system from a cold environment to the new location: Wait for at least two hours before starting up the mailing system again. The PostBase One adapts to the room temperature. Any condensation evaporates.
-



This chapter describes how to dismantle and install the PostBase One mailing system including all of its optional components. Should a step not apply to your configuration, just continue with the next step.

Dismantling the PostBase One mailing system

Remove ink cartridges / remove print heads and ink tank *(PostBase One Bulk Ink)*



You only need to remove the ink cartridges / print heads and the ink tank if you move the mailing system to another location or when it is brought to service.

During a transport within a building, the cartridges / print heads and the ink tank may remain in the postage meter.

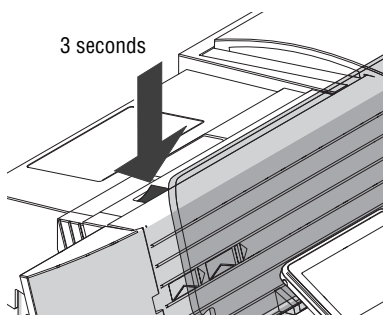
PostBase One with ink cartridges:

- Start the exchange procedure to remove the ink cartridges. Please refer to chapter 12.3 on page 98.
- Mark cartridges (left / right) and pack them separately. Best suited are plastic bags.
- Close the flap.
- Confirm all error messages (e.g. on missing ink cartridges).

PostBase One Bulk Ink:

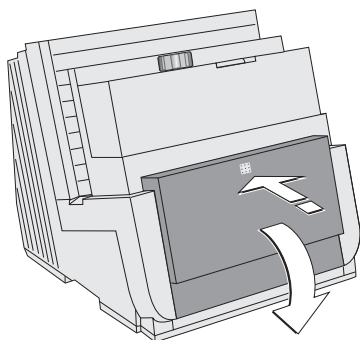
- Start the exchange procedure to remove the print heads and the ink tank. Refer to chapter 12.4 on page 103.
- Mark print heads (left / right) and pack them separately. Best suited are plastic bags.
- Follow the instructions how to remove the ink tank on page 111.
- Pack up the ink tank (plastic bag).
- Close the flap.
- Confirm all error messages (e.g. on missing print heads).

Switch off

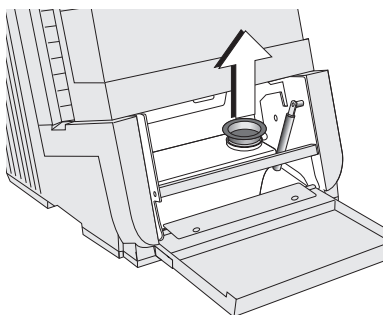


- Switch off the mailing system.
- Empty the label dispenser.
- Switch off connected external devices (e.g. PC).
- Pull the power plugs of the postage meter, as well as all components connected to it (feeder, power supply unit of the sealer, ...) from the socket(s).
- Pull the Ethernet cable from the network connection.

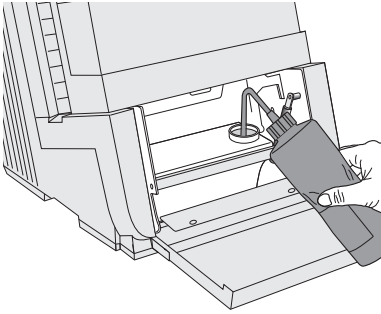
Empty the sealant tank



- Open the lid: Press on the marker, then flap down the lid.

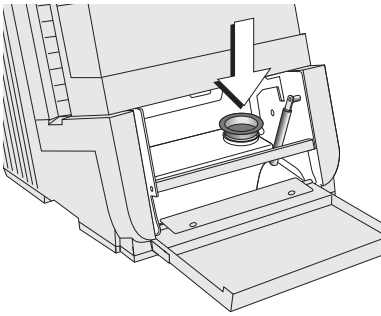


- Pull out the yellow plug of the sealant tank.

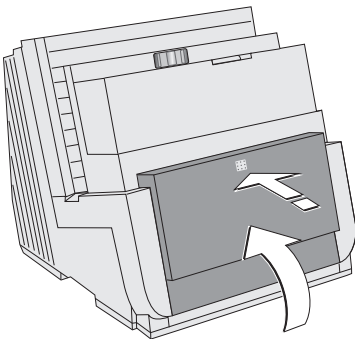


You need an original sealing liquid bottle and the suction hose, which came as an accessory with the sealer.

- Screw the suction hose onto the empty original bottle.
- To drain the sealant tank: Slightly compress the bottle, immerse its suction hose in the tank, then loosen your grip of the bottle. Repeat this procedure until the sealant tank is empty.

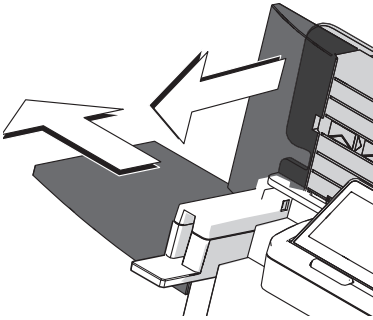


- Re-insert the plug into the filler hole of the sealant tank.



- Close the lid and gently snap it in its lock.

Remove the hand feed tray

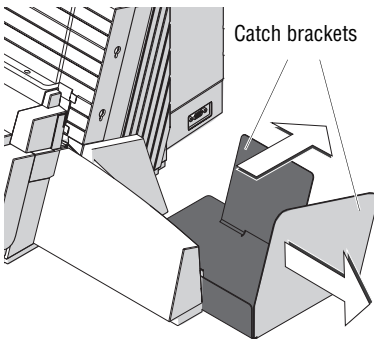


When using the original packaging for transport, you have to remove the hand feed tray.

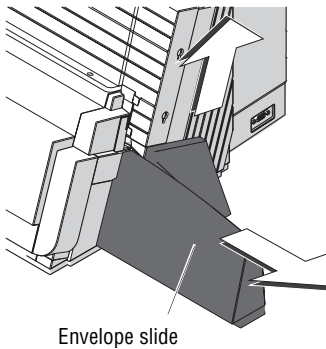
- Push the hand feed tray forward to release it from the locking device.
- Pull the hand feed tray to the left and away from the postage meter.

Remove the letter catch tray from the postage meter

(PostBase One *without* Sealer / Power Sealer)

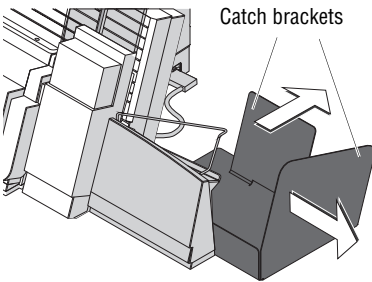


- Pull out both catch brackets.

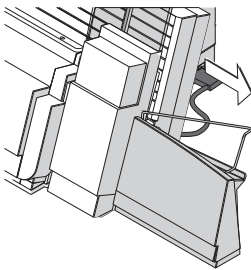


- Slightly lift the postage meter on its right side and remove the envelope slide to the right.

Remove the power sealer and letter catch tray (*PostBase One with Sealer / Power Sealer*)



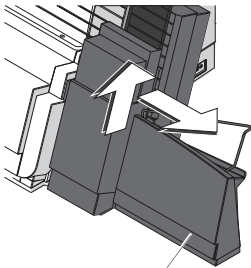
- Pull out both catch brackets.



- Remove the connection cable of the power sealer from the postage meter: Unscrew and carefully pull off the plug.

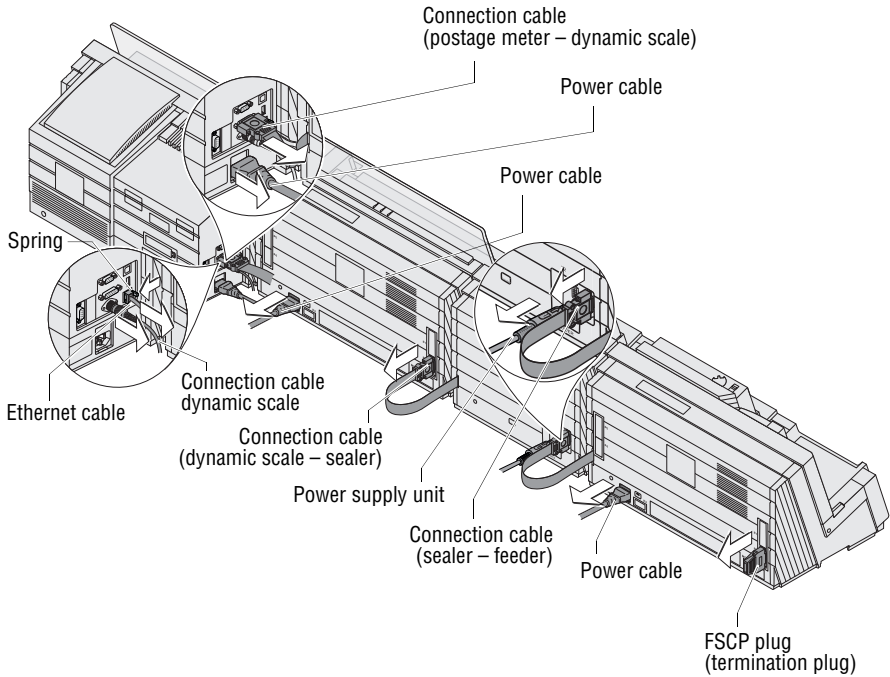


Warning: Mind Your Hands! *Be very careful when handling the power sealer. As a consequence of its construction design, the power sealer has very sharp edges that might hurt you.*



- Slightly lift the power sealer and remove it to the right.
- The envelope slide, which is secured to the power sealer with two hooks, can now be easily separated from the power sealer.

Remove cables



On the postage meter (left side of machine)

- Remove all connection cables to optional components and external devices (e.g. PC): Unscrew and carefully pull off the plug.
- Remove the connection cable of the static scale.
- Remove the network cable: Press the spring on the plug and pull the plug out of the network socket.
- Pull out power cable.
- Remove termination plug
(PostBase One without feeder):
 Unscrew and carefully pull off the termination plug.

On the dynamic scale (back cover)

- Remove the connection cable of the sealer / feeder: Unscrew and carefully pull off the plug.
- Pull out power cable.

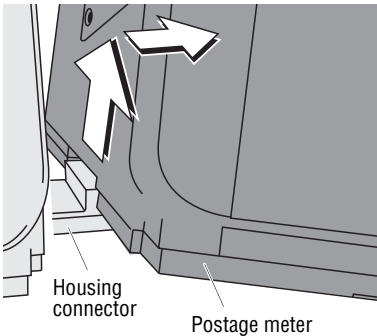
On the sealer (back cover)

- Remove the power supply unit.
- Remove the connection cable of the feeder: Unscrew and carefully pull off the plug.

On the feeder (back cover)

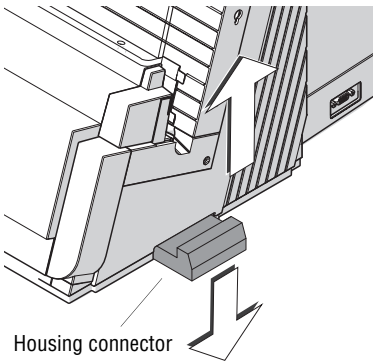
- Pull out power cable.
- Remove FSCP plug (termination plug): Unscrew and carefully pull off the FSCP plug.

Separate the components of the mailing system



- Slightly lift the postage meter and move it to the right.
- Slightly lift the dynamic scale and move it to the right.
- Slightly lift the sealer and move it to the right.

Remove housing connector

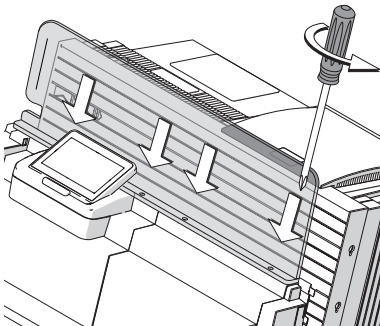


The connectors for mechanic coupling of the housings are located in the clearances of the side walls.

To remove the connectors:

- Slightly lift the affected component and remove the connector to the bottom.

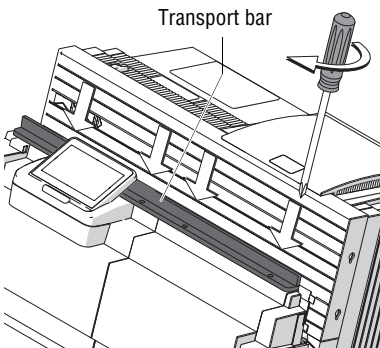
Remove the protective glass from the postage meter



When using the original packaging for transport, you have to remove the protective glass.

The protective glass is fastened to the housing of the postage meter with four screws.

- Remove the four screws.
- Remove the protective glass.



- Fasten the transport bar (part of the original packaging) to the housing of the postage meter with the four screws.

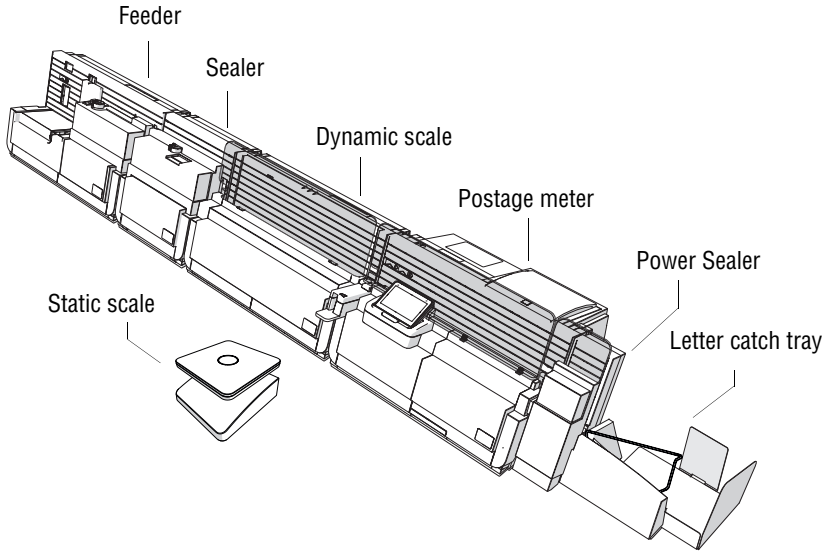
Transport

- Make sure the postage meter and all its components are safely packed before transporting them.

We recommend using the original packaging when transporting the mailing system or sending it to the Customer Service.

- Always transport the mailing system in a horizontal position.

Installing the PostBase One mailing system on a new location



Caution! Please observe the following notes on systems with a dynamic scale:

- Have the mailing system installed by a service technician.
- As for the choice of the place of installation, make sure that the feeder and the dynamic scale rest on the same base (table / pedestal base).
- By no means must the base vibrate or be mechanically unstable.

Location

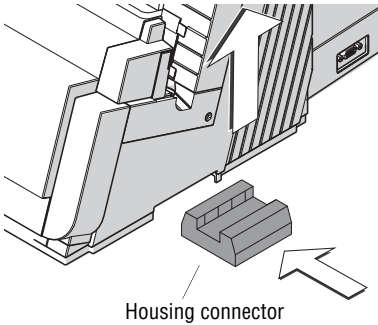
- Make sure that the new location meets the following requirements:
 - room temperature: 59 °F to 95 °F (+15 °C to +35 °C)
 - not exposed to direct sunlight
 - relative humidity: 20 % to 70 %, non-condensing
 - power socket in the immediate vicinity
 - network connection.

- Place the PostBase One and its optional components on a firm, level, low vibration horizontal base.



Please refer to page 173 for the standing surface values of the system in different configurations.

Insert housing connector



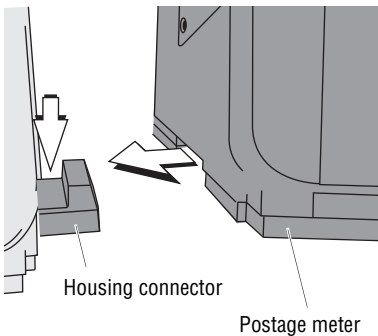
The components of the mailing system are mechanically coupled and thus fixated with regard to their position in relation to one another by means of housing connectors.

- Slightly lift the postage meter on its right side and slide the connector into the clearance of the housing.

On the dynamic scale and the feeder:

- Insert the connectors in the same way into the right side wall.

Coupling feeder – sealer – dynamic scale – postage meter



- Slightly lift the sealer on its left side, move it close to the feeder and position it on the connector.
- Slightly lift the dynamic scale on its left side, move it close to the sealer and position it on the connector.
- Slightly lift the postage meter on its left side, move it close to the dynamic scale, and position it on the connector.

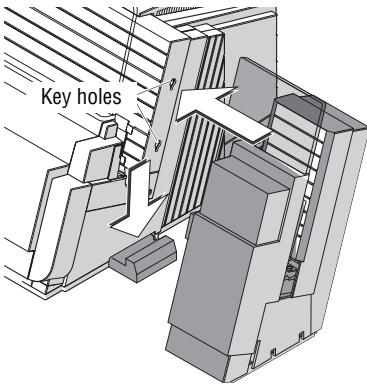


If your mailing system does not comprise all components mentioned, couple those you use in the described way.

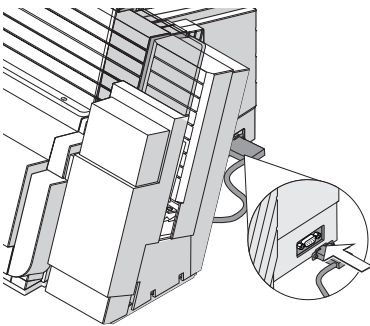
Connect the power sealer to the postage meter



Warning: Mind Your Hands! Be very careful when handling the power sealer. As a consequence of its construction design, the power sealer has very sharp edges that might hurt you.



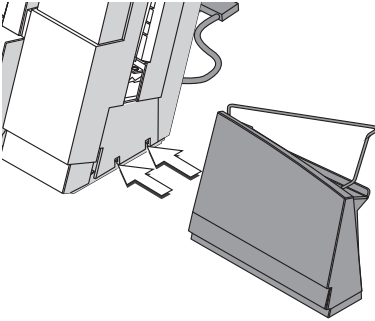
- Position the power sealer on the connector while inserting the two pegs of the power sealer into the key holes of the right side wall of the postage meter.
- Push the power sealer down as far as it goes. Make sure that the letter guide faces of both the postage meter and the power sealer are flush at the upper side.



- Insert the connection cable of the power sealer into the 9-pin interface on the right side wall of the postage meter and tighten screws.

Mounting the envelope slide

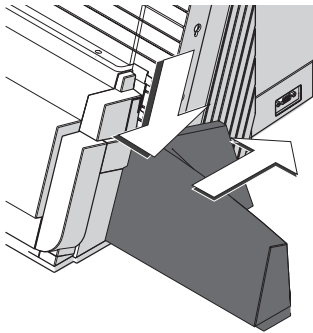
On the power sealer



If you use a power sealer:

- Attach the appropriate envelope slide to the power sealer. Both hooks of the envelope slide must snap into the housing of the power sealer.

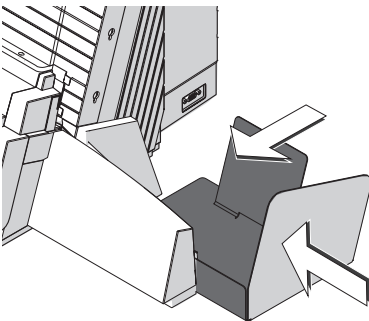
On the postage meter



If you do not use a power sealer:

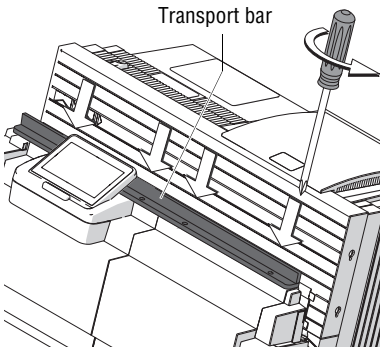
- Position the envelope slide (standard version for systems without power sealer) on the connector as shown in the illustration and push it back firmly. You will feel the envelope slide lock into place.

Insert the catch brackets



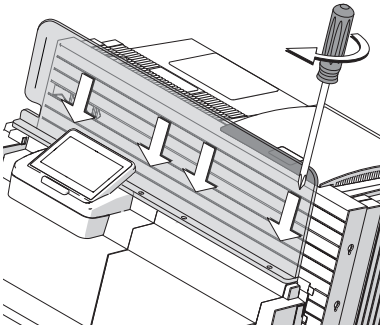
- Push the catch bracket into the slot of the envelope slide from the right.
- Push in the back bracket.

Mounting the protective glass to the postage meter



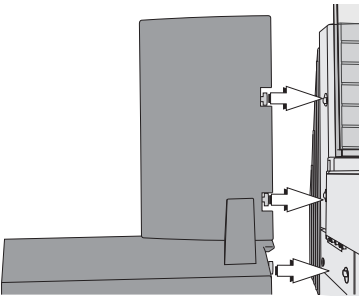
Remove the bar that was attached for transport:

- Remove the four screws.
- Remove the transport bar.



- Fasten the protective glass to the housing of the postage meter with the four screws.

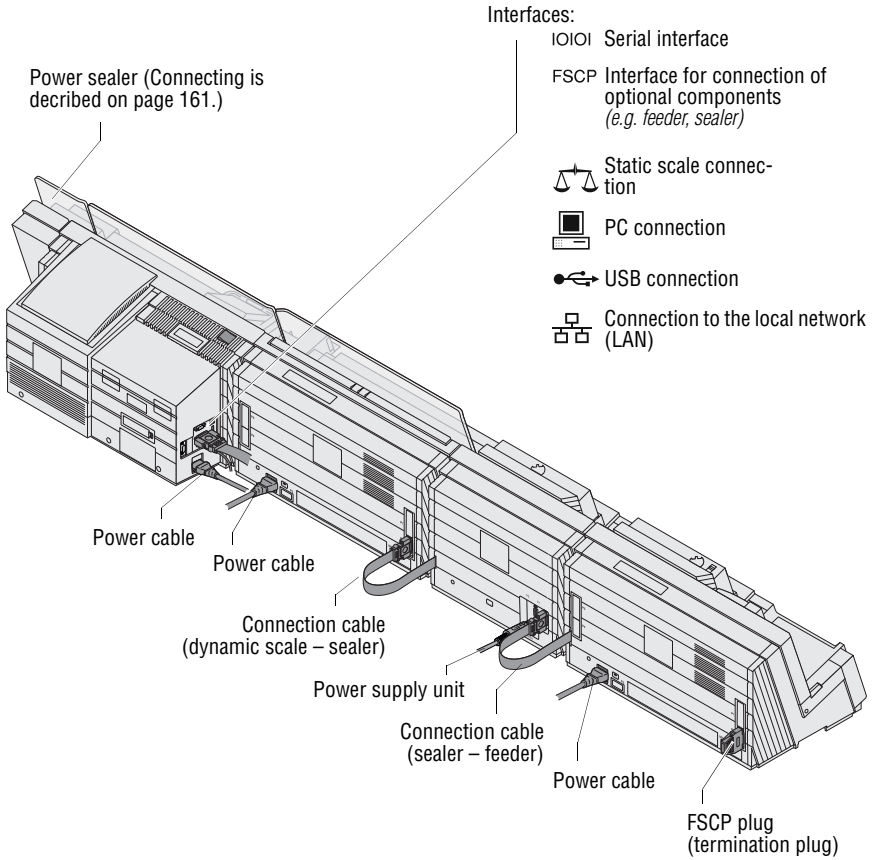
Mounting the hand feed tray

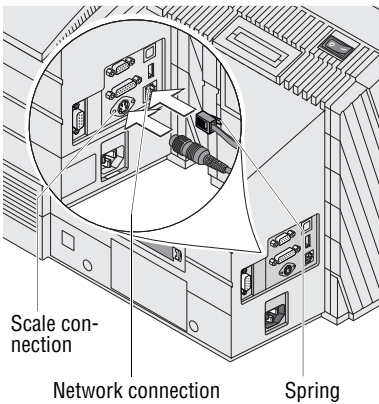


If you use PostBase One with no additional components:

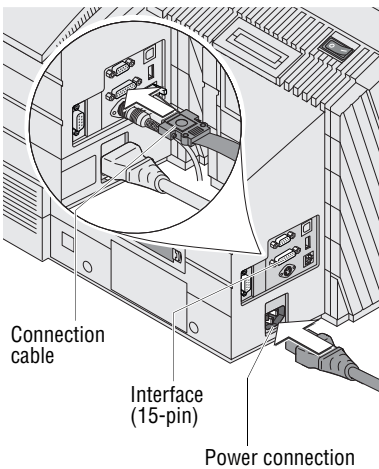
- Mount the hand feed tray on the left side of the postage meter's housing. Insert the three pegs into the key holes of the side wall of the postage meter.
- Push the hand feed tray backwards as far as it will go.

Insert cables



On the postage meter

- Connect the network cable to the network connection on the side of the postage meter. Please check the correct position of the spring.
- Plug the connection cable of the static scale into the scale connection of the postage meter.

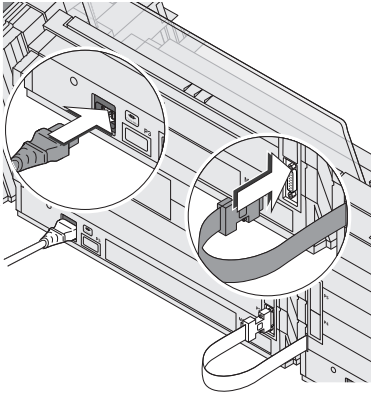


- Plug the power cable into the power socket of the postage meter.

Depending on the system's configuration:

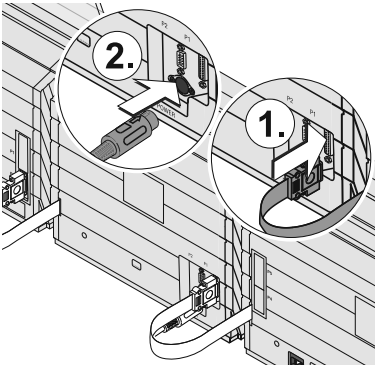
- Insert either the connection cable of the dynamic scale / the sealer / the feeder or the termination plug into the 15-pin interface and tighten screws.

On the dynamic scale

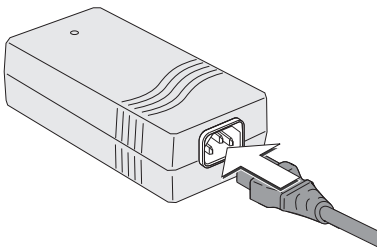


- Insert the connection cable of the sealer / the feeder into the 15-pin interface (P2) and tighten screws.
- Plug the power cable into the power socket of the dynamic scale.

On the sealer

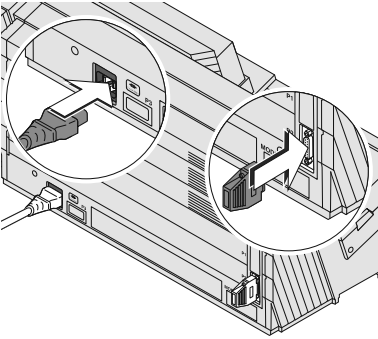


- Insert the connection cable of the feeder into the 15-pin interface (P1) and tighten screws.
- Connect the power supply unit.



- Plug the power cable into the power supply unit.

On the feeder



- Insert the FSCP plug (termination plug) into the 15-pin interface (P2) and tighten screws.
- Plug the power cable into the power socket of the feeder.

Commissioning and functions check

- Recommendation: Cleaning the contacts in the cartridge bracket with the FP cleaning kit 'clean & renew' for ink-jet print systems, available at FP Mailing Solutions.
- Fill the sealant tank with sealing liquid. Please refer to chapter 12.9, page 120.
- Connect the power cables of the postage meter, the dynamic scale, the power supply unit of the sealer, and the feeder to grounded single-phase power sockets. Make sure your office power supply conforms to the power requirements indicated on the serial number plates.
- Connect the network cable (Ethernet).
- Switch on the PostBase One mailing system. Please refer to chapter 3.1, page 13.

PostBase One with ink cartridges:

- Insert the ink cartridges. To do this, call up the exchange procedure from the menu (see page 99).

PostBase One Bulk Ink:

- Insert the ink tank (see page 111).
- Insert the print heads. To do this, call up the exchange procedure from the menu (see page 103).
- Generate and check a test print (see chapter 3.8, page 30).



Glossary

Label	Special self-adhesive label which you can meter and stick onto your mail pieces. Necessary for large, heavy and thick mail pieces. Also use labels to attach on the mail piece when the envelope material is not suited for ink-jet printing.
MailOne 2.0	<p>Mailing and accounting software for PostBase Mailing Systems.</p> <p>MailOne 2.0 enables you, among other things, to accurately record, analyze and report mailroom expenses, benefit from discounts offered with Commercial Base Pricing (CBP) products and use the mail tracking service provided by USPS. In addition, MailOne 2.0 offers the possibility to control the main features of your PostBase One Mailing System via PC.</p>
Meter imprint	<p>Metering mail for carrying by U.S. Postal Service.</p> <p>When metering, PostBase One prints among other things the indicia, the postage value, the date and the machine identification on the envelope. Details on the product (e.g. First-Class) appear below the postage.</p> <p>Additionally, the meter imprint can contain custom adverts, i.e. logos or SMS texts.</p>
PIN	<p>Personal Identification Number.</p> <p>The PostBase One mailing system can be protected against unauthorized use via a PIN.</p>

RemoteOne

RemoteOne is a user-friendly PC application enabling you to set up, maintain, and use the PostBase One mailing system.

RemoteOne enables you to perform your mailing system's basic functions directly on your computer. In addition to its ease of use, RemoteOne offers an extended functionality, e.g. entering / editing text messages and setting your frequently used postal products as shortcuts.

ReportOne

In addition to RemoteOne's entire functionality, ReportOne offers easy to handle administration and report features.

Test print

Invalid meter imprint with the postage value \$00.000 and the indication VOID printed over the data matrix symbol. This feature enables you to check the settings for the meter imprint and the print quality. Test prints are not logged in the postage registers.

Technical Data

PostBase One – components						
	PostBase One Postage meter	PostBase One Static Scale	PostBase One Dynamic Scale	PostBase One Feeder	PostBase One Sealer	PostBase One Power Sealer
Dimensions						
Width	21.7" / 550 mm <i>(postage meter)</i> 7.9" / 200 mm <i>(hand feed tray)</i> 11.9" to 16.3" / 302 to 415 mm <i>(catch tray min/max)</i>	5.5" 140 mm	21.7" 550 mm	21.7" 550 mm	12" 305 mm	4.1" 103 mm
Depth	17.4" / 440 mm	6" 150 mm	12.4" 315 mm	12.4" 315 mm	12.4" 315 mm	9.7" 245 mm
Height	13.4" / 340 mm	3.6" 90 mm	13.4" 340 mm	11.5" 290 mm	11.5" 290 mm	13.4" 340 mm
Weight	40.8 lb / 18.5 kg <i>(without cartridges)</i> 45.9 / 20.8 kg <i>(with bulk ink system)</i>	2.5 lb 1120 g	29.6 lb 13.4 kg	30.5 lb 13.8 kg	16.6 lb 7.5 kg	6 lb 2.7 kg
Power connection	100 - 240 V 50 - 60 Hz 0.8 - 0.4 A	–	100 - 240 V 50 - 60 Hz 0.5 - 0.3 A	115 V 60 Hz 0.5 A	24 VDC (±5%) 2 A <i>(using an external power supply unit)</i>	–

PostBase One – components						
	PostBase One Postage meter	PostBase One Static Scale	PostBase One Dynamic Scale	PostBase One Feeder	PostBase One Sealer	PostBase One Power Sealer
Battery	3.6 V / 2 Ah / 20 mA lithium battery order no.: 90.4701.8004.00	-	-	-	-	-
Display	TFT, 480 x 272 pixels with touch panel backlit	-	-	-	-	-
Print system						
Print technology	Ink-jet printing featuring HP Technology	-	-	-	-	-
Printing area	max. 7.3" x 1" 185 mm x 25 mm	-	-	-	-	-
Print resolution	≥ 300 dpi	-	-	-	-	-
Weighing range	-	0.1 oz to 15 lb	0.1 oz to 2 lb	-	-	-
Operating conditions	59 °F to 95 °F / +15 °C to +35 °C For indoor use only Do not expose to direct sunlight Relative humidity 20 % to 70 %, non-condensing					
Storage conditions	59 °F to 95 °F / +15 °C to +35 °C Relative humidity 5 % to 80 %, non-condensing					

Subject to short-term modification.

PostBase One – system configurations					
	PostBase One + Static Scale (with ink cartridges)	PostBase One + Static Scale Feeder	PostBase One + Static Scale Feeder Sealer + Power Sealer	PostBase One + Static Scale Feeder Dynamic Scale	PostBase One + Static Scale Feeder Dynamic Scale Sealer + Power Sealer
Footprint (w/o scale)					
Width *	45.9" 1,165 mm	59.7" 1,515 mm	75.8" 1,925 mm	81.5" 2,070 mm	97.7" 2,480 mm
Depth	17.4" 440 mm	17.4" 440 mm	17.4" 440 mm	17.4" 440 mm	17.4" 440 mm
Footprint: static scale	5.7" x 6.2" / 145 mm x 157 mm (width x depth)				
Weight	43.8 lb 19.9 kg	74.3 lb 33.7 kg	96.8 lb 43.9 kg	103.9 lb 47.1 kg	126.4 57.3 kg
Power consumption					
Maximum	60 W	122 W	165 W	147 W	192 W
Standby	17 W	30 W	37 W	37 W	44 W
Type of Equipment	Stand-alone equipment (Desk-top)				
Class of Equipment	Class I (PostBase One, Dynamic Scale, Feeder), Class III (Sealer)				
Connection to Supply	Pluggable type A (PostBase One, Dynamic Scale and Feeder) Not directly connected to the mains (Sealer: class III equipment)				
Type of Power System	TN, IT				
Pollution Degree	2				
Noise emission	< 67 dB(A) (normal operation) < 45 dB(A) (standby)				
Processing speed **	120 letters per minute (#10, 4 ¹ / ₈ " x 9 ¹ / ₂ ") optional: 150 letters per minute (#10, 4 ¹ / ₈ " x 9 ¹ / ₂ ")			up to 100 letters/min (mixed mail #10)	
Performance per day	Average Usage 1,000 letters (#10) Maximum Usage 5,000 letters (#10)				
* All values regarding the length take into account the catch tray for ISO B4 letters.					
** Depending on envelope size / content, imprint length, machine state and operating mode.					

Subject to short-term modification.

PostBase One – equipment

Hand feed tray	Yes
Letter catch tray	Yes
Feeder	Option
Sealer and Power Sealer	Option
Dynamic Scale	Option
Static Scale	Yes
Differential weighing	Option
Label dispenser	Yes
System clock, battery backed	Yes
Processing speed (letters per minute)	120 / 150 (optional)
Remote services: download postage, update rates / software, ...	Yes
Access control via PIN	Yes
Shortcuts for postal products	20
Accounts	200 / 500 (optional)
Customizable meter advertisements	30 / 50 (optional)
SMS text messages (only with PC control software)	12
Interfaces for connecting optional components	Yes
Interfaces: USB, Ethernet / LAN, CAN-BUS, Serial	Yes
Postage correction imprint	Yes
Redate imprint	Yes
Reply mail imprint	Yes
Incoming mail mode	Option
Decimal meter mode, switchable	Yes
FP Portal access	Yes
RemoteOne (PC control software)	Yes
ReportOne (PC control software and account management)	Option
MailOne 2.0 (mailing and accounting software)	Option
Ink supply: 2 ink cartridges	Yes
Bulk Ink (2 print heads + ink tank)	Option

Subject to short-term modification.

Ink cartridges / Print heads / Ink tank

Ink cartridges	FP Cartridge Set (2 pcs. FP cartridges, fluorescent red) order no. 58.0055.3190.00
Bulk Ink System	FP Print head set (2 pcs. FP easy connect print heads for Bulk Ink System, fluorescent red), order no. 58.0055.3311.00 FP ink tank for PostBase One (fluorescent red) 175 ml, order no. 58.0055.3171.00 FP ink tank for PostBase One (fluorescent red) 350 ml, order no. 58.0055.3173.00
Operating and storage conditions	59 °F to 95 °F (+15 °C to +35 °C) For indoor use only Do not expose to direct sunlight Relative humidity 20% to 70%, non-condensing

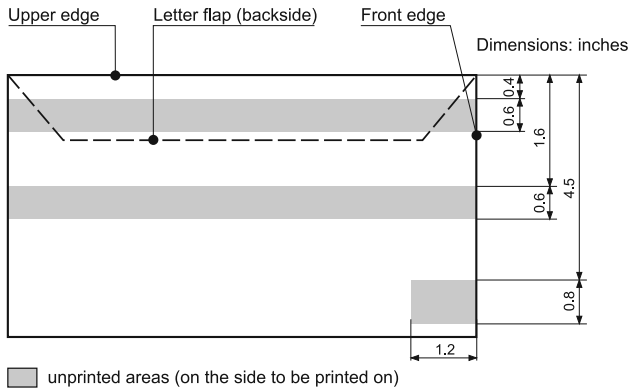


The Material Safety Data Sheet is available at sdb.francotyp.com/en.

Subject to short-term modification.

Mail piece specifications for metering

Format	<p>3" x 5" to 10" x 14" (post card to format ISO B4), rectangular-shaped</p> <p>No envelopes with extra large bottom (where the bottom is flapped and can cause jamming)</p>
Thickness	Up to 0.8" (20 mm) – metering (non seal)
Weight	Up to 2 lb (1 kg)
Material	<p>Ink-absorbent material (suited for ink-jet printing)</p> <p>No dark paper</p> <p>Paper must not be glossy on the side to be printed on</p> <p>No air cushion envelopes</p> <p>No corrugated paper</p> <p>No extremely fibrous paper on which the two-dimensional bar code could smear</p>
Processing direction	Only process envelopes in longitudinal direction (not upright)
Labels	Self-adhesive labels for PostBase One
Pre-printed envelopes	In the areas that are monitored by sensors (the areas marked gray in the illustration below), the envelopes must not contain any pre-printed surfaces.



Subject to short-term modification.

Envelope specifications for automatic feeding

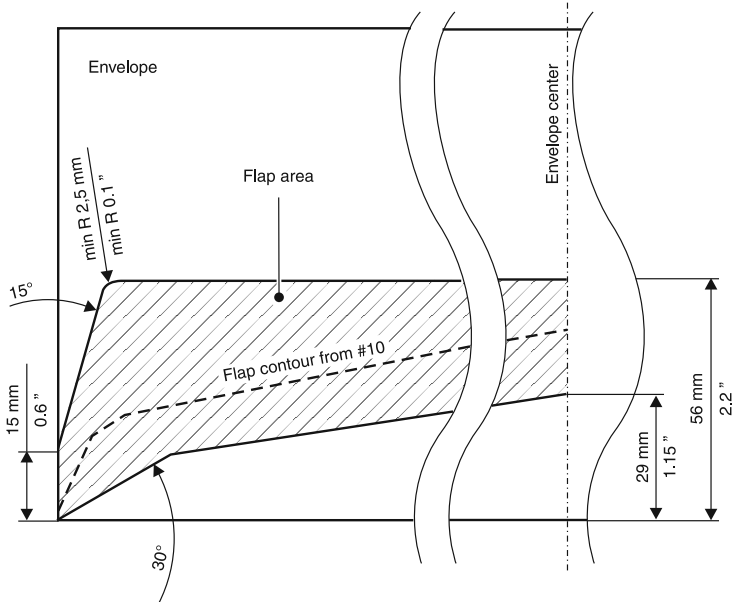
Material	<p>Paper-based bleached envelopes Machinable Not pre-printed in the activity areas of the sensors (see page 176) Flap must be at the envelope's long side Glued on the inside White or recycled</p> <p><u>Suitable, but with certain limitations:</u> Padded envelopes Open flap on the envelope's short side Open self-sealing flaps Glued on the outside (Pay special attention that the edges are properly glued! The same applies to the windows.)</p> <p><u>Not processable:</u> Very soft and unstable letters Rigid letters (books, catalogues etc.)</p>
-----------------	--

Subject to short-term modification.

Envelope specifications for sealing

Format	3" x 5" to 10" x 14" (post card size to format ISO B4)
Thickness	Up to 0.28" (7 mm)
Material	Envelopes must be suitable for sealing by machine. The flap must be at the envelope's long side.
Sealing area	Sufficient closure can only achieved with continuous seal- ing area.

Flap shape and size



Subject to short-term modification.

Postage Meter supplies

Suitable supplies, like ink cartridges, ink tanks, print heads and labels, for PostBase One mailing systems are available via the **MyOneFP** Customer Portal.

The Security Device (PSD)

The Revenector Security Device (PSD) used in your PostBase One mailing system was authorized according to specifications of the United States Postal Service following an internationally valid practice. To commensurate to this standard the cryptographic keys used by the PSD have to be updated or exchanged after a specified period of time. Please, make sure that the mailing system contacts the Server at least once a year (e.g. by loading postage with the value of '\$0'), even if the system may not be in use. Otherwise the Security Device may disable itself and will have to be exchanged with costs for reconnecting the mailing system.

License

This is a copy of the current LICENSE file inside the CVS repository.

```

LICENSE ISSUES
=====

The OpenSSL toolkit stays under a dual license, i.e. both the conditions of
the OpenSSL License and the original SSLeay license apply to the toolkit.
See below for the actual license texts. Actually both licenses are BSD-style
Open Source licenses. In case of any license issues related to OpenSSL
please contact openssl-core@openssl.org.

OpenSSL License
-----

/* =====
 * Copyright (c) 1998-2011 The OpenSSL Project. All rights reserved.
 *
 * Redistribution and use in source and binary forms, with or without
 * modification, are permitted provided that the following conditions
 * are met:
 *
 * 1. Redistributions of source code must retain the above copyright
 * notice, this list of conditions and the following disclaimer.
 *
 * 2. Redistributions in binary form must reproduce the above copyright
 * notice, this list of conditions and the following disclaimer in
 * the documentation and/or other materials provided with the
 * distribution.
 *
 * 3. All advertising materials mentioning features or use of this
 * software must display the following acknowledgment:
 * "This product includes software developed by the OpenSSL Project
 * for use in the OpenSSL Toolkit. (http://www.openssl.org/)"
 *
 * 4. The names "OpenSSL Toolkit" and "OpenSSL Project" must not be used to
 * endorse or promote products derived from this software without
 * prior written permission. For written permission, please contact
 * openssl-core@openssl.org.
 *
 * 5. Products derived from this software may not be called "OpenSSL"
 * nor may "OpenSSL" appear in their names without prior written
 * permission of the OpenSSL Project.
 *
 * 6. Redistributions of any form whatsoever must retain the following
 * acknowledgment:
 * "This product includes software developed by the OpenSSL Project
 * for use in the OpenSSL Toolkit (http://www.openssl.org/)"
 *
 * THIS SOFTWARE IS PROVIDED BY THE OpenSSL PROJECT ``AS IS'' AND ANY
 * EXPRESSED OR IMPLIED WARRANTIES, INCLUDING, BUT NOT LIMITED TO, THE
 * IMPLIED WARRANTIES OF MERCHANTABILITY AND FITNESS FOR A PARTICULAR
 * PURPOSE ARE DISCLAIMED. IN NO EVENT SHALL THE OpenSSL PROJECT OR
 * ITS CONTRIBUTORS BE LIABLE FOR ANY DIRECT, INDIRECT, INCIDENTAL,
 * SPECIAL, EXEMPLARY, OR CONSEQUENTIAL DAMAGES (INCLUDING, BUT
 * NOT LIMITED TO, PROCUREMENT OF SUBSTITUTE GOODS OR SERVICES;
 * LOSS OF USE, DATA, OR PROFITS; OR BUSINESS INTERRUPTION)
 * HOWEVER CAUSED AND ON ANY THEORY OF LIABILITY, WHETHER IN CONTRACT,
 * STRICT LIABILITY, OR TORT (INCLUDING NEGLIGENCE OR OTHERWISE)
 * ARISING IN ANY WAY OUT OF THE USE OF THIS SOFTWARE, EVEN IF ADVISED
 * OF THE POSSIBILITY OF SUCH DAMAGE.
 * =====
 *

```

```
* This product includes cryptographic software written by Eric Young
* (eay@cryptsoft.com). This product includes software written by Tim
* Hudson (tjh@cryptsoft.com).
*
*/
```

```
Original SSLeay License
-----
```

```
/* Copyright (C) 1995-1998 Eric Young (eay@cryptsoft.com)
* All rights reserved.
*
* This package is an SSL implementation written
* by Eric Young (eay@cryptsoft.com).
* The implementation was written so as to conform with Netscapes SSL.
*
* This library is free for commercial and non-commercial use as long as
* the following conditions are aheared to. The following conditions
* apply to all code found in this distribution, be it the RC4, RSA,
* lhash, DES, etc., code; not just the SSL code. The SSL documentation
* included with this distribution is covered by the same copyright terms
* except that the holder is Tim Hudson (tjh@cryptsoft.com).
*
* Copyright remains Eric Young's, and as such any Copyright notices in
* the code are not to be removed.
* If this package is used in a product, Eric Young should be given attribution
* as the author of the parts of the library used.
* This can be in the form of a textual message at program startup or
* in documentation (online or textual) provided with the package.
*
* Redistribution and use in source and binary forms, with or without
* modification, are permitted provided that the following conditions
* are met:
* 1. Redistributions of source code must retain the copyright
* notice, this list of conditions and the following disclaimer.
* 2. Redistributions in binary form must reproduce the above copyright
* notice, this list of conditions and the following disclaimer in the
* documentation and/or other materials provided with the distribution.
* 3. All advertising materials mentioning features or use of this software
* must display the following acknowledgement:
* "This product includes cryptographic software written by
* Eric Young (eay@cryptsoft.com)"
* The word 'cryptographic' can be left out if the rouines from the library
* being used are not cryptographic related :-).
* 4. If you include any Windows specific code (or a derivative thereof) from
* the apps directory (application code) you must include an acknowledgement:
* "This product includes software written by Tim Hudson (tjh@cryptsoft.com)"
*
* THIS SOFTWARE IS PROVIDED BY ERIC YOUNG ``AS IS'' AND
* ANY EXPRESS OR IMPLIED WARRANTIES, INCLUDING, BUT NOT LIMITED TO, THE
* IMPLIED WARRANTIES OF MERCHANTABILITY AND FITNESS FOR A PARTICULAR PURPOSE
* ARE DISCLAIMED. IN NO EVENT SHALL THE AUTHOR OR CONTRIBUTORS BE LIABLE
* FOR ANY DIRECT, INDIRECT, INCIDENTAL, SPECIAL, EXEMPLARY, OR CONSEQUENTIAL
* DAMAGES (INCLUDING, BUT NOT LIMITED TO, PROCUREMENT OF SUBSTITUTE GOODS
* OR SERVICES; LOSS OF USE, DATA, OR PROFITS; OR BUSINESS INTERRUPTION)
* HOWEVER CAUSED AND ON ANY THEORY OF LIABILITY, WHETHER IN CONTRACT, STRICT
* LIABILITY, OR TORT (INCLUDING NEGLIGENCE OR OTHERWISE) ARISING IN ANY WAY
* OUT OF THE USE OF THIS SOFTWARE, EVEN IF ADVISED OF THE POSSIBILITY OF
* SUCH DAMAGE.
*
* The licence and distribution terms for any publically available version or
* derivative of this code cannot be changed. i.e. this code cannot simply be
* copied and put under another distribution licence
* [including the GNU Public Licence.]
*/
```

Security Declaration for data usage

Product Description: PostBase One postage meter

The PostBase One postage meter is connected to the user's local network through an Ethernet interface to share data with the Francotyp-Postalia Data center using both the local network and a suitable available internet connection provided by the user.

Francotyp-Postalia guarantees that the PostBase One postage meter does not utilize, transmit, or sort any data from the user's network which is not relevant for the operation of this equipment.

FCC Compliance Statement

This device complies with FCC Part 15, Subpart B, Class B.

A

- Access control *11, 88*
 - disable *89*
 - enable *88*
- Accessories *8*
- Account *24, 48*
 - change *48*
 - set for metering *48*
- Account administration *76*
- Account function *11*
 - switch off *76*
 - switch on *76*
- Accounts
 - display information *77*
 - print report *78*
 - set all accounts to zero *77*
 - set one account to zero *77*
- Adjustment menu *27*
- Advert *24, 33, 45*
 - print advert / text only *70*
 - print separately *70*
- Advert Only *70*
- Advertising imprint *45*
 - advert *45*
 - manage *45*
 - set *45*
 - text message / SMS text *45*
- Auto *42, 52*
- Auto Off *84*
- Auto Postage Download *89*
 - change threshold *90*
 - disable *90*
 - enable *89*
- Available postage *59*

B

- Batch counter *53*
 - incoming mail *69*
- Batch processing *50*
 - continue *53*
 - preparations *50*
 - start *53*
- Battery
 - change *125*
 - permissible type *125, 172*

- Battery compartment *194*
- Blank spots in meter imprint *32*
- Bulk ink cartridge. See Ink tank
- Buttons *23*
 - overview *143*

C

- Calibrate cartridges / print heads *96*
- CAN BUS *142, 194*
- Cartridge calibration *96*
- Cartridges. See Ink cartridges
- Clean
 - housing *96*
 - print system *115*
- Cleaning kit 'clean & renew' *98, 103, 117*
- Commissioning (after moving) *167*
- Connection
 - CAN BUS *194*
 - feeder *164, 194*
 - FSCP *164, 194*
 - network *164*
 - optional components *164, 194*
 - PC *164, 194*
 - power sealer *194*
 - sealer *164, 194*
 - serial interface *164, 194*
 - static scale *164, 194*
 - USB *164, 194*
- Connection cable *155, 164, 190, 191, 192, 193*
- Connection to data center *85*
- Connection Type *86*
- Connectivity settings
 - overview *86*
 - show / change *85*
- Consumables *8*
- Contact information *88*
 - view *88*
- Correcting errors *127*
 - See also Errors
- Correction
 - imprint (example) *65*
 - position a mail piece *65*
 - print *65*
 - set imprint *64*

Counter

- Advert Only 71
- Feed Only 74
- incoming mail stamp 69
- item counter (meter imprints) 58
- Seal Only 75

Counting (without printing) 74**Cover (feeder) 190**

- place 19, 20
- remove 18, 19

Credit 59**Customer Service 88, 195****D****Data center 10, 60, 85, 91, 140, 182**

- set up connection 85

Data matrix symbol 32, 33**Data upload 91****Data usage 182****Date 33**

- in meter imprint 24
- in redate imprint 66
- in the incoming mail stamp 68
- in the meter imprint 44
- reset to current date 44, 69
- setting 44

Decimal Meter Mode 84**Decommissioning (mailing system) 140****DHCP 86****Differential weighing 11, 38, 39, 143**

- turn on/off 38

Dismantling (mailing system) 150**Display 10, 194**

- adjust brightness 80
- adjust inclination 15, 194

Disposal 140**Download postage 60****Dynamic scale 9, 11, 42, 159, 191****Dynamic weighing 42****E****Envelope slide 153, 154, 159**

- for use with power sealer 193
- mount to power sealer 162

mount to the postage meter 162

- remove 153, 154

Envelopes

- for automatic feeding 177
- for metering 176
- for sealing 178

Equipment 174**Error categories 148****Error messages 127****Errors**

- during maintenance and care 133
- general errors 131
- when metering 128
- when using special function 132
- when weighing 129
- with automatic feeding 134
- with automatic sealing 135
- with basic setting 133
- with downloading postage 132
- with using FP software 136

Ethernet 86, 87, 164, 194

- See also Network connection

Ethernet cable 87, 155**F****FCC Compliance Statement 182****Feed Only 74****Feeder 9, 11, 159, 160, 190**

- adjust 16
- clearing a letter jam 137
- position letters in stack 50
- preparations 50
- process single letters 53

Firewall 87**Flap 194****Fleece tray 118, 194****Forward dating 44****FSCP 142, 164, 194****FSCP plug 155, 164**

- connect 167
- remove 156

- See also Termination plug 155

H

- Hand feed tray *194*
 - mount *163*
 - remove *153*
- Home screen *24*
 - functions *24*
 - operation philosophy *24*
- Housing connector *157, 160, 190, 191, 192*
 - insert *160*
 - remove *157*
- http connection *87*
- https connection *87*

I

- Imprint offset *11, 46*
 - incoming mail stamp *68, 69*
 - set *46*
- Incoming mail *68*
 - printing date and time *68*
- Incoming mail stamp
 - batch counter *69*
 - item counter *69*
 - printing *70*
 - set *68*
 - set date *68*
- Ink cartridges *8, 175*
 - align *113*
 - change *98, 99*
 - cleaning (automatic) *115*
 - cleaning (by hand) *116*
 - ink level *97*
 - insert *100*
 - order no. *175*
 - removal for transport *150*
 - remove *99*
 - See also Print heads
- Ink fleece *194*
 - replace *118*
- Ink level
 - ink cartridges *97*
 - ink tank *97*
- Ink pad. See Ink fleece

- Ink tank *8, 175*
 - change *110*
 - insert *111*
 - order no. *175*
 - removal for transport *150*
 - remove *111*
- Installation (mailing system) *159*
- Interface
 - 15-pin *165, 190, 191, 192*
 - 9-pin *192, 194*
- Interfaces *194*
- Internet address
 - display *88*
- Item counter
 - incoming mail *69*
 - reset *58*
 - show *58*
 - See also Counter

K

- Keypad *28*

L

- Label *10, 169*
 - insert *55*
 - meter *55*
- Label dispenser *9, 11, 194*
- LAN *164*
- LAN port *194*
- Language, change *82*
- Letter catch tray *9, 159, 194*
 - adjust to envelope size *15*
 - connect *162*
 - remove *153, 154*
- Letter guide *190*
- Letter guide face *190, 191, 192, 193, 194*
- Letter jam
 - in the feeder *137*
 - in the sealer *138*
- Letter path (feeder) *16*
 - adjust *16*
- Letter stack
 - position *52*
 - prepare *50*

Letters

- no sealing *21*
- position (feeder) *50, 52, 53*
- position (hand feed tray) *49*
- sealing *21*

License *180*

Lid *192*

List *27*

List printing *11*

Load

- Auto Postage Download *89*
- machine software *95*
- postage credit *60*
- rate table *95*

Location *159*

- change *149*

M**Machine software**

- update *95*

Mail piece specifications

- for automatic feeding *177*
- for metering *176*
- for sealing *178*

Mailing data *24*

- deselect *25*
- select *25, 36, 38, 41*
- set *36*

MailOne 2.0 *12, 61, 169*

Maintenance flap. See Fleece tray

Menu *24, 26*

- symbols (overview) *144*

Meter imprint *33, 169*

- example *33*
- set *33*

Meter type *84*

Metering *47*

- labels *55*
- letters (feeder) *50, 52*
- letters (hand feed tray) *49*
- PostBase One with PC connection *62*

Moistening

- adjust *94*

Moistening unit *192*

N

Network connection *164, 165*

Non Seal *21*

Numbers, print numbers only *72*

O

Offsets / shifts in the meter imprint *32*

ON / OFF *194*

Operation philosophy *22*

P

PC *61*

PC connection *61, 164, 194*

- disconnect *63*

PC Software Mode *61, 93*

- Off *93*
- On *63, 93*
- switch on / off *93*

Phone number

- Customer Service *88*
- data center *88*
- display *88*

PIN *11, 88, 169*

- enter *88*
- set *88*

Place of posting, change *95*

Pop-up windows *29*

Postage *33*

- correction *64*
- display in the Home screen *24*
- display in the Product Calculation menu *25*
- set *34*
- set via shortcut *35*

Postage download *60, 90*

- Auto Postage Download *89*
- general notes *60*

Postage meter *9, 159*

- overview *194*

Postage used *59*

Postal product

- set *25*

PostBase One Feeder *9*

PostBase One Sealer *9*

PostBase One *9, 194*
 components *171*
 connect to PC *61*
 disconnecting from mains *14*
 equipment *174*
 modular concept *9*
 move to another location *149*
 operate via PC *61*
 overview *194*
 overview (complete system) *9*
 short description *9*
 system configurations *173*
 turning off *13*
 turning on *13*
 PostBase One Dynamic Scale *9, 191*
 overview *191*
 PostBase One Feeder *11, 190*
 overview *190*
 See also Feeder
 PostBase One Power Sealer *11, 193*
 overview *193*
 PostBase One Sealer *11, 192*
 overview *192*
 See also Sealer
 Power cable *155, 164*
 Power connection *165, 190, 191, 192, 194*
 Power Sealer *9, 11, 159, 193*
 connect *161*
 remove *154*
 Power supply unit *8, 192*
 Pressure bar *190*
 Pressure lever *190*
 Pressure (feeder)
 adjust *18*
 recommended settings (overview) *18*
 Print heads *8, 175*
 align *113*
 change *103*
 cleaning (by hand) *116*
 insert *106*
 order no. *175*
 removal for transport *150*
 remove *104*
 show status *97*
 See also Ink cartridges
 Print labels. See Label

Print Numbers *72*
 set direction of counting *73*
 set start number *73*
 Print quality
 checking *32*
 good *32*
 poor (blank spots) *32, 129*
 poor (offset) *32, 129*
 Print system
 automatic cleaning *115*
 clean *115*
 cleaning the contacts *98, 103*
 intensive cleaning *115*
 show ink level *97*
 Print system flap *194*
 Procedures *29*
 Product *36, 38, 41, 43*
 set *33, 34*
 set via shortcut *35*
 Product after Standby *83*
 Product Calculation menu *24, 25*
 calling up *25*
 cancelling *26*
 exit / quitting *26*
 open *36, 38, 41, 43*
 Product safety label *141*
 Protective glass *191, 193, 194*
 Proxy authentication *87*
 Proxy server *86*
 PSD *179*
 PSU *8*

R

Rate table *95*
 show version *80*
 update *95*
 Ready to meter *49, 52, 56*
 Re-authorization, Postal code
 change *95*
 Redate *65*
 imprint (example) *66*
 position a mail piece *66*
 print *66*
 set date *66*
 set imprint *65*

Register
 display 59
 print 59
 Release key 192
 Release knob
 letter removal in case of a jam 190
 RemoteOne 10, 33, 45, 61, 170
 Reply Mail 67
 imprint (example) 67
 meter 67
 position reply envelopes / cards 67
 set imprint 67
 Report (postage download) 60
 ReportOne 12, 45, 61, 63, 170
 Rocker switch 13, 14, 194

S

Safety cap 139
 snap into place 139
 Safety sign 193, 194
 Safety signs 141
 Safety switch 139
 Safety symbols 2
 Safety tips 2, 7
 Scale
 dynamic scale 11, 191
 static scale 9, 11, 37, 39, 194
 Scale connection 165
 Scrollbar 22
 Seal 21
 Seal envelopes On / Off 21
 Seal letters (without printing) 75
 Seal Only 75
 Seal / Non Seal 192
 Sealant tank 192
 capacity 121
 empty 151
 topping up sealing liquid 120
 Sealer 9, 11, 159, 192
 clearing a letter jam 138
 Sealing 21
 adjust 94
 start pump 94

Sealing liquid 21, 120
 topping up 120
 sealit 21, 120
 Security Device 179
 Separation lever 190
 Separation (feeder) 17
 adjust 19
 recommended settings (overview) 17
 Serial interface 164, 194
 Service 195
 Set to zero
 all accounts 77
 one account 77
 Shortcuts 11, 24, 35
 display in the Home screen 24
 manage 35
 re-assign 35
 use 35
 Slider (adjust letter path / thickness) 190
 Slider (scrollbar) 22
 Slider (thickness) 16
 SMS text 24, 45
 enter / change 45
 print separately 70
 set 45
 Software version, show 80
 Sound signals 81
 Special functions 64
 incoming mail 68
 Specifications for mail pieces 176
 Sponge
 change 122
 clean 122
 Standby 14
 product after standby 83
 Standby time 82
 Static scale 9, 11, 159, 194
 connection 164, 194
 differential weighing mode 143
 normal weighing mode 143
 weighing platform 194
 Status indications (overview) 143
 Stylus 194
 Supplies 179

Switch Seal / Non Seal *192*

Symbols

- ...overview *141*
- error categories *148*
- in this manual *2*
- menu functions *144*
- on the PostBase One *141*
- standard buttons *143*
- status indications *143*
- user interface (overview) *143*

System information *80*

T

Tank (sealer) *192*

Technical data *171*

- dynamic scale *171*
- envelopes for automatic feeding *177*
- envelopes for sealing *178*
- feeder *171*
- ink cartridges *175*
- ink tank *175*
- mail piece specifications *176*
- postage meter *171*
- power sealer *171*
- print heads *175*
- sealer *171*
- static scale *171*
- system configurations *173*

Termination plug *155, 164*

- connect *165, 167*
- remove *155, 156*

Test print *30, 113, 170*

Text features *2*

Text message *33, 45*

- enter / change *45*
- set *45*

See also SMS text

Threshold for Auto Postage Download *89*

Tone signals *81*

Touch screen *22, 194*

- adjust brightness *80*
- adjust inclination *15*
- calibrate *124*

Transfer rate *87*

Transport bar *157, 163*

Transport (mailing system) *158*

Troubleshooting *127*

Turning off (mailing system) *13, 14*

Turning on (mailing system) *13*

U

URL *88*

Usage data, upload *91*

USB connection *164*

USB port *194*

User

- change *47*
- user profile *47*

V

Ventilation slots *190, 191, 194*

W

Weighing *36*

- differential weighing *38, 39*
- dynamic scale *41, 42*
- normal weighing *36*
- static scale *37*

Weighing mode

- differential weighing *38, 143*
- normal weighing *143*
- set *38*

Weighing platform *194*

Weight

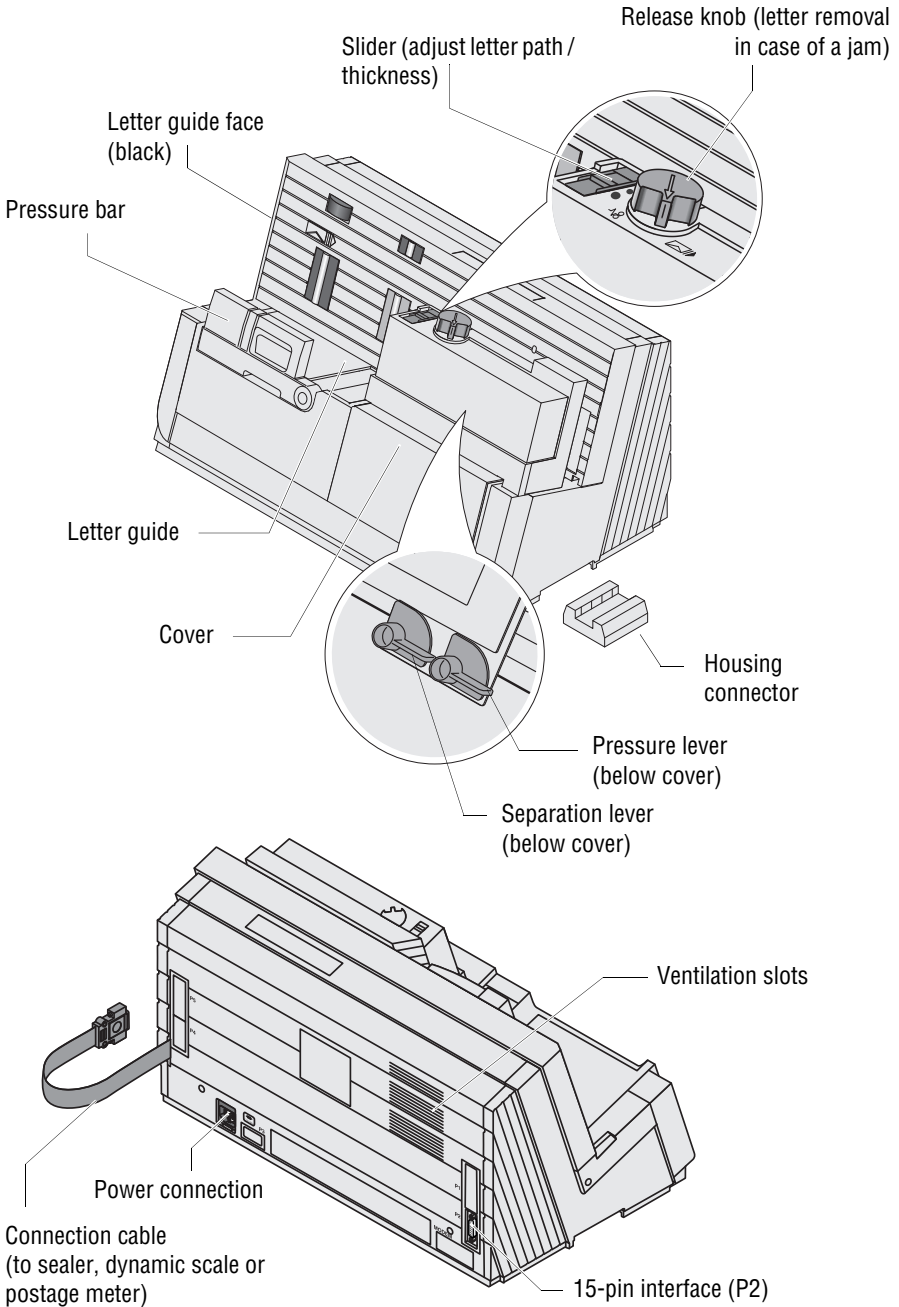
- display in the Home screen *24*
- display in the Product Calculation menu *25*
- enter *43*
- set manually *43*

Withdrawal *140*

Z

Zero imprint. See Test print

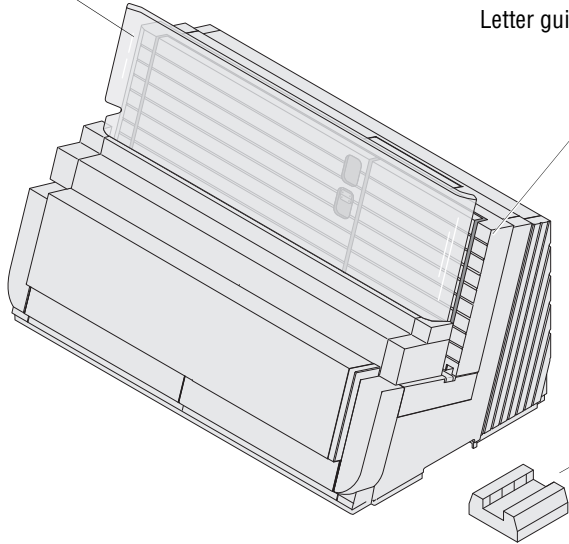
ZIP code, change *95*



Protective glass

Letter guide face (black)

Housing connector

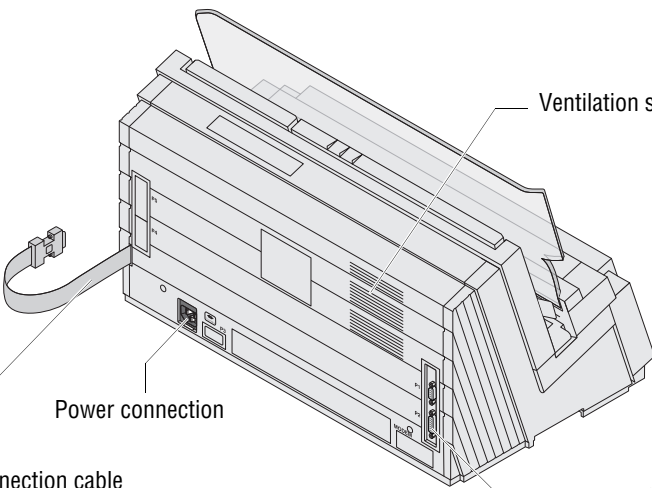


Ventilation slots

Power connection

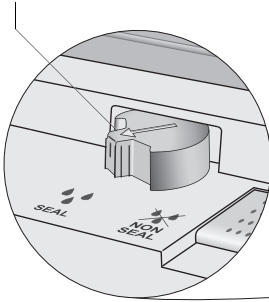
Connection cable
(dynamic scale – postage meter)

15-pin interface (P2)



* optional

Switch seal / non seal envelopes



Release key
(moistening unit)

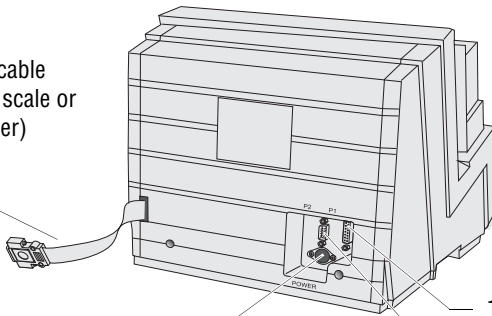
Letter guide face (black)

Lid, behind
sealant tank

Housing connector

To open / close the lid:
shortly press on the marker

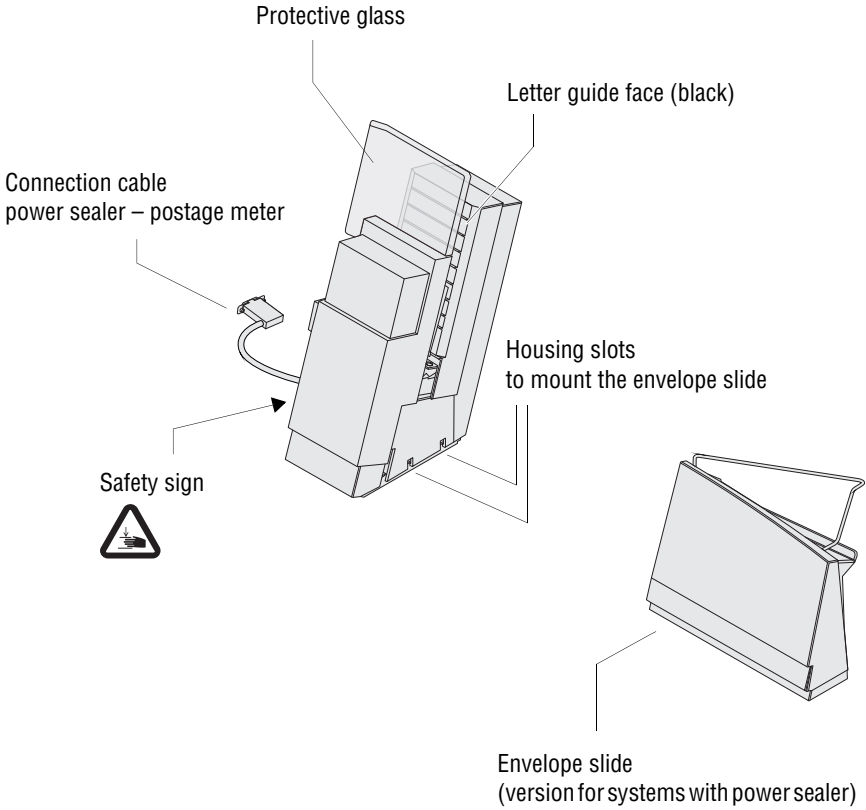
Connection cable
(to dynamic scale or
postage meter)

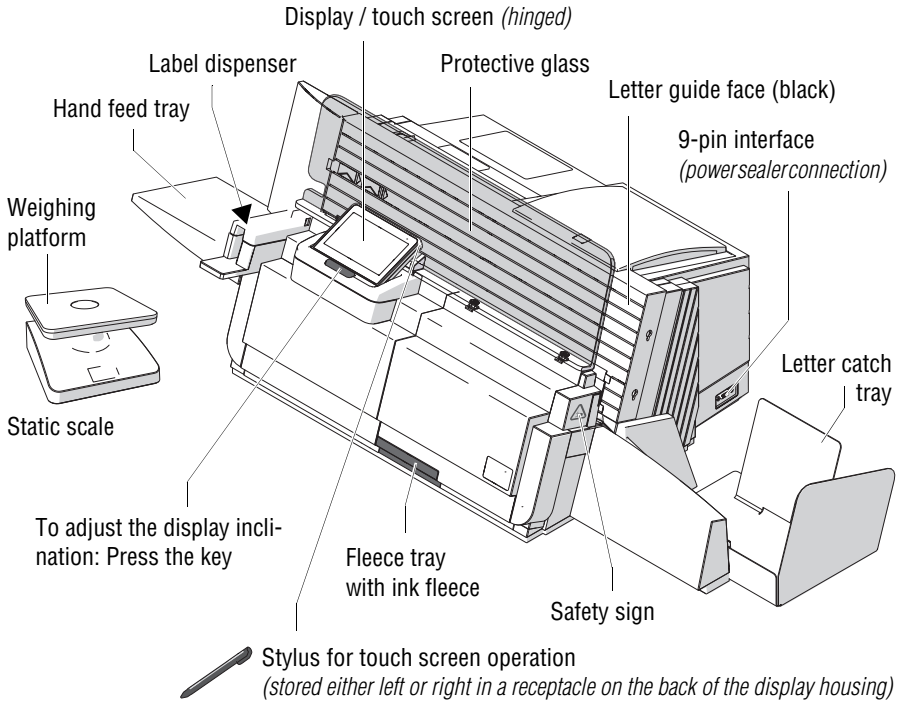


15-pin interface (P1)

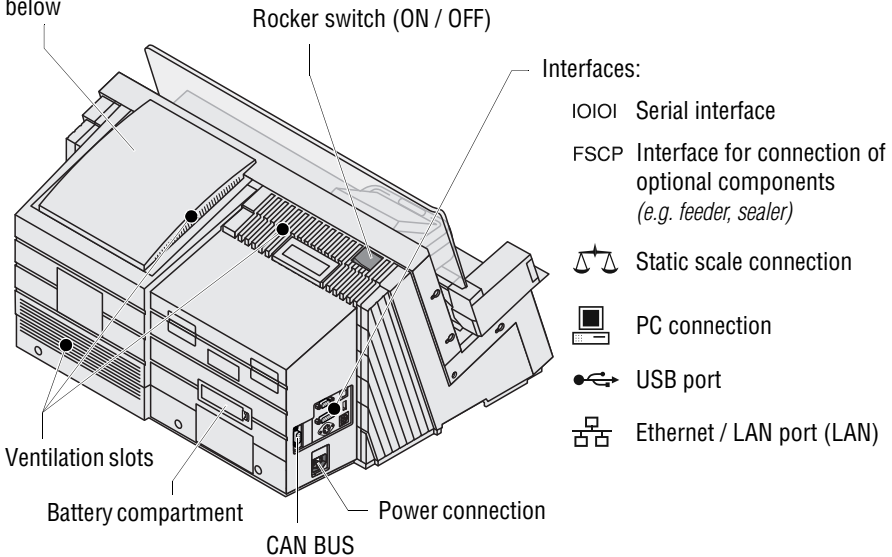
Socket used for the
power supply unit

9-pin interface (P2)
(for service purposes only)





Flap, with print system below



Every PostBase One mailing system is thoroughly checked before leaving the factory. Should any faults occur with your PostBase One mailing system in spite of our extensive quality control, please contact FP Customer Service.



FP Mailing Solutions
Francotyp-Postalia, Inc.
140 N. Mitchell Court, Suite 200
Addison, IL 60101-5629

Customer Service 800-341-6052

www.fp-usa.com

51.0055.3071.00 Rev. 01

2018-05 / xxx / helbig.berlin