



PeerlessBoilers.com

Peerless® PUREFIRE®

PF-50, PF-80, PF-110 & PF-140

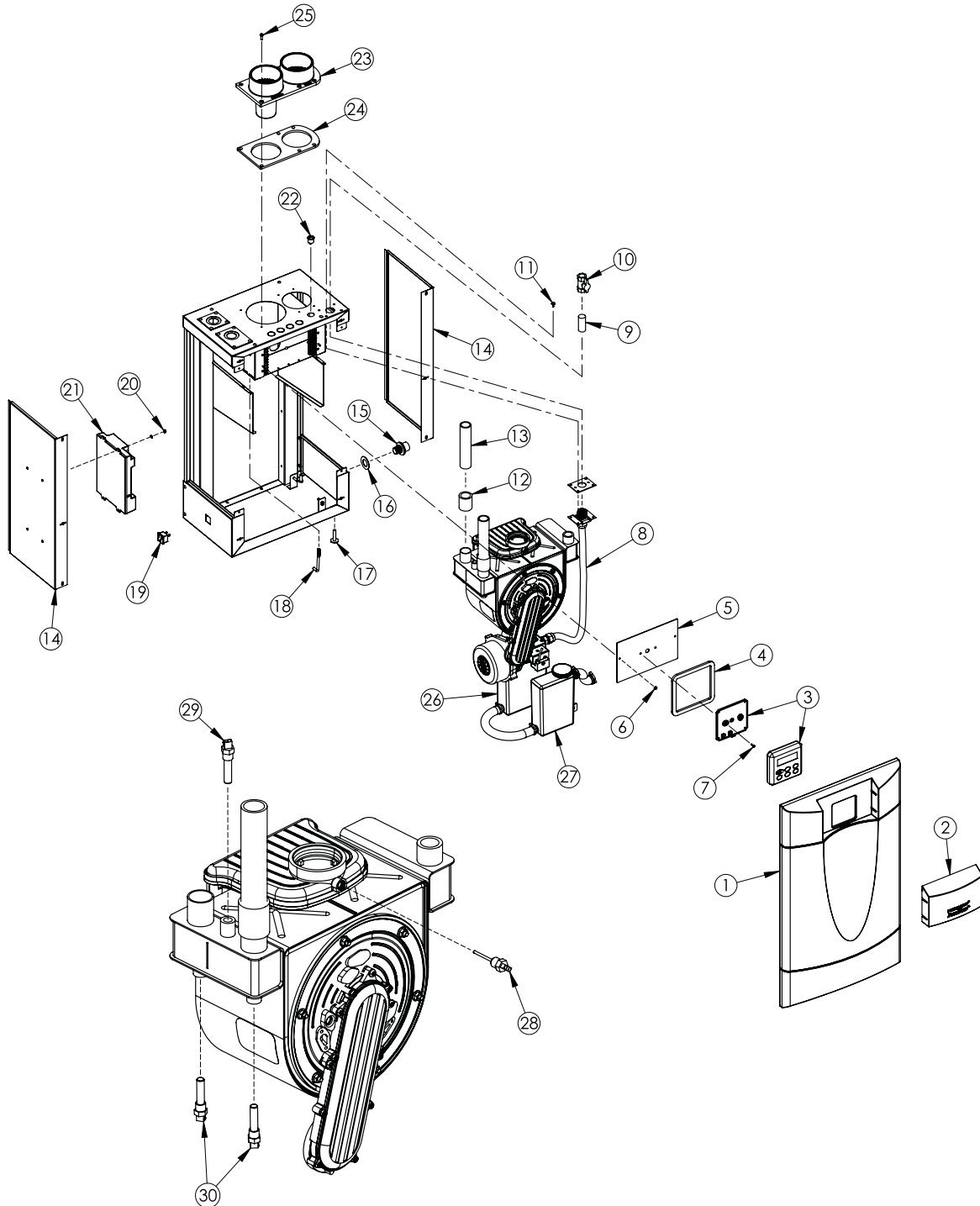
All repair parts orders - no minimum charges.

Please order with code number.

All prices quoted are in U.S. dollars.

All prices subject to change without notice.

All prices F.O.B. Bally, PA



PF-50, PF-80, PF-110 & PF-140



PeerlessBoilers.com

Peerless® PUREFIRE®

PF-50, PF-80, PF-110 & PF-140

All repair parts orders - no minimum charges.

Please order with code number.

All prices quoted are in U.S. dollars.

All prices subject to change without notice.

All prices F.O.B. Bally, PA

	Description	Quantity Required	Stock Code	Trade Price
1	Front Door Panel with Ball Studs	1	54168	\$258
2	Control Lens	1	54167	\$89
3	Display Module, 852RC 4 Wire, PF 50-399, See kit item 21	1	–	–
4	Display Bracket Gasket	1	54153	\$18
5	Bracket for Display Module	1	PF2007-1	\$24
6	Hex Nut, #6-32 with Lockwasher, (Local Hdwr Supply)	2	–	–
7	Screw, #6-32 x 1/2" LG Phillips Head, (Local Hdwr Supply)	2	–	–
8	Flexible Gas Line – 1/2" (includes gasket and hardware)	1	54203	\$91
N/L	Gasket for Gas Line (Obsolete)	–	–	–
9	Nipple, 1/2 " NPT x Close, (Local Hdwr Supply)	1	–	–
10	Manual Shut-off Valve, 1/2" NPT, (Local Hdwr Supply)	1	54130	\$35
11	Screw, #10 x 1/2" Long Hex. Hd., (Local Hdwr Supply)	2	–	–
12	Coupling, 1" NPT Brass (Local Hdwr Supply)	2	5534	\$19
13	Nipple, 1" NPT x 6" Long Brass, (Local Hdwr Supply)	2	–	–
14	Jacket Side Panels – PF-50, PF-80	1	54173	\$566
	Jacket Side Panels – PF-110, PF-140	1	54192	\$587
15	Bulk Head Fitting for Condensate Connection	1	54140	\$33
16	Gasket for Bulk Head Fitting	1	54134	\$19
17	Leg Leveler	4	93867	\$10
18	Hook Bolt	2	5451	\$5
19	Convenience Outlet, (Local Hdwr Supply)	1	54136	\$18
20	Hex. Nut, #8-32 with Lockwasher, (Local Hdwr Supply)	4	51573	–
21	Display Module & Control Module Kit, 852MN – PF-50 Revision 1 & 2	1	54709	\$562
	Display Module & Control Module Kit, 852MN – PF-50 Revision 1 & 2	1	54710	\$562
	Display Module & Control Module Kit, 852MN – PF-50 Revision 1 & 2	1	54711	\$562
	Display Module & Control Module Kit, 852MN – PF-50 Revision 1 & 2	1	54712	\$562
22	Switch, Round Toggle, 120 VAC, (Local Hdwr Supply)	1	6050	\$12
23	Vent / Air Inlet Adapter, 3"	1	54135	\$70
24	Gasket, Vent Adapter, 3"	1	54133	\$33
25	Screw, #10 x 5/8" Long Phil. Pan Head Type A Zinc, (Local Hdwr Supply)	6	–	–
26	Condensate Receiver Kit, w/ hardware & tubing	1	54205	\$159
27	Condensate Neutralizer Kit, w/ hardware & tubing	1	54204	\$107
28, 29	Kit Supply Sensor/Switch, 12kOhm Tasseron, (units Prior to 10/2010)	1	54299	\$95
28	Flue Sensor, 12kOhm Tasseron TSDZ0B1	1	54111	\$48
29	Hi Limit Switch Tasseron TSDS950	1	54419	\$40
30	Supply/Return Sensor, 12kOhm Tasseron TSD00BS	2	54418	\$51
N/S	Wiring Harness, Power (Right (10) Terminal Block)	1	PF7002	\$83
N/S	Wiring Harness, Control (Left (10) Terminal Block)	1	PF7003	\$159
N/S	Wiring Harness, Blower	1	PF7005	\$77
N/S	Wiring Harness, Ground Wire	1	PF7009	\$15
N/S	Push-on Terminal Block (for Field Wiring Connections)	2	5450	\$18
N/S	30 Lbs. Relief Valve Standard, (Local Hdwr Supply)	1	50664	–
N/S	50 Lbs. Relief Valve Optional, (Local Hdwr Supply)	1	51029	–
N/S	80 Lbs. Relief Valve Optional, (Local Hdwr Supply)	1	51030	–
N/S	125 Lbs. Relief Valve Optional, (Local Hdwr Supply)	1	54274	\$116
N/S	150 Lbs. Relief ValveOptional, (Local Hdwr Supply)	1	54471	\$137
N/S	Harness PF50/140 Split Sensor / Limit Adapter, PF-50 - 140	1	54420	\$12
N/S	Harness PF50/140 Split Sensor / Limit Adapter & Temp. Limit Sw. PF-200 - 399	1	54421	\$15
N/S	Outdoor Sensor, 12kOhm, Optional Tasseron TSA00B4	1	54112	\$55
N/S	DHW Sensor, Optional (PP Partner) 12kOhm Tasseron TSK1 0BH	1	54157	\$65
N/S	DHW Sensor, Optional (PT Partner) 12kOhm Tasseron TSK10B7	1	54478	\$45
N/S	DHW Sensor, Optional (Amtrol) 12kOhm Tasseron TSK10B7	1	54158	\$34
N/S	System Sensor, 12kOhm Tasseron TSA00BC	1	54156	\$66



PeerlessBoilers.com

Peerless® PUREFIRE®

PF-50, PF-80, PF-110 & PF-140

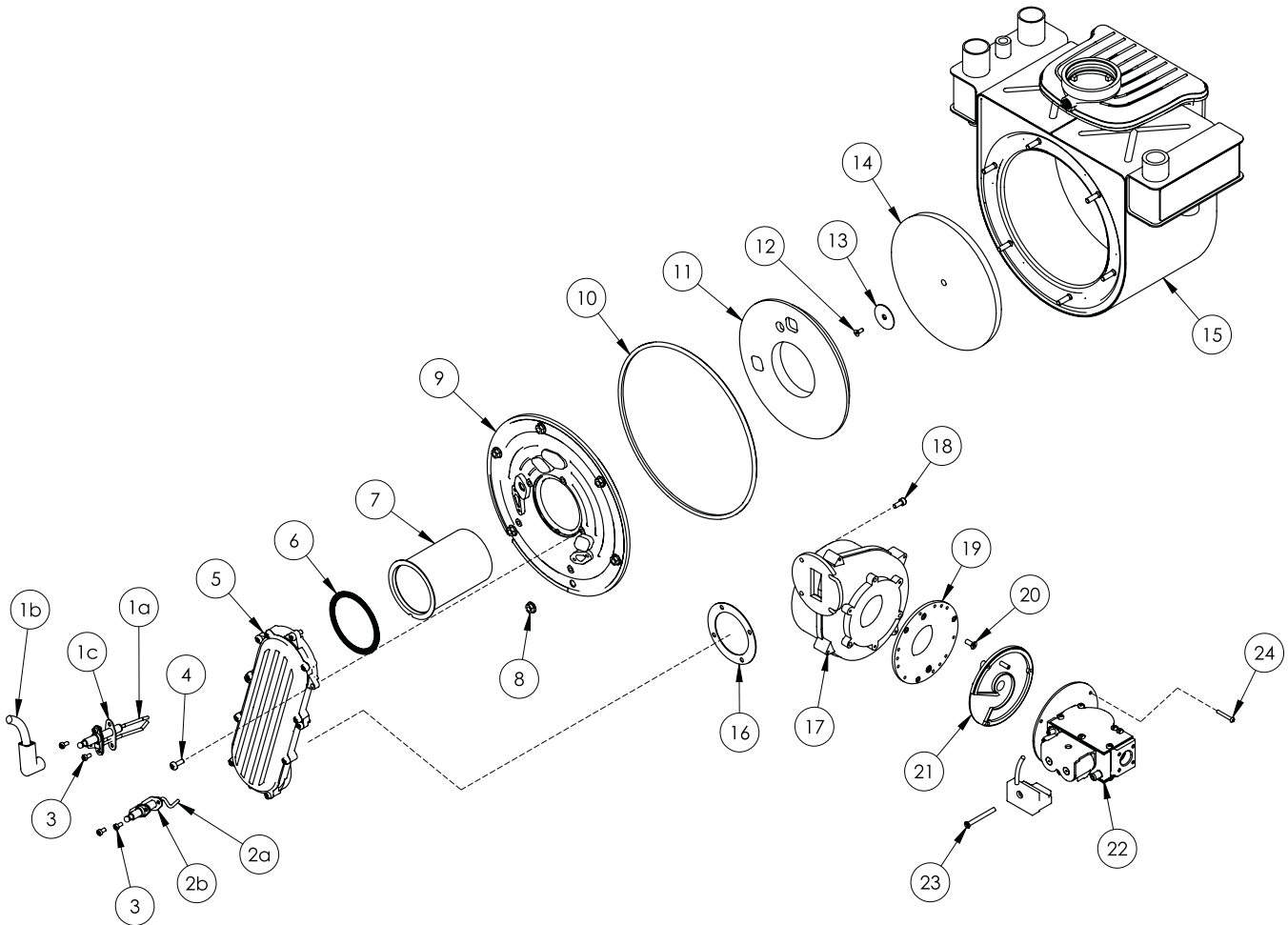
All repair parts orders - no minimum charges.

Please order with code number.

All prices quoted are in U.S. dollars.

All prices subject to change without notice.

All prices F.O.B. Bally, PA



PF-50, PF-80, PF-110 & PF-140



PeerlessBoilers.com

Peerless® PUREFIRE®

PF-50, PF-80, PF-110 & PF-140

All repair parts orders - no minimum charges.

Please order with code number.

All prices quoted are in U.S. dollars.

All prices subject to change without notice.

All prices F.O.B. Bally, PA

	Description	Quantity Required	Stock Code	Trade Price
1	Kit Igniter, Gasket and Cable w/ Hardware, PF50/80/110/140	1	54246	\$90
2	Flame Sensor w/ Gasket & Hardware	1	54247	\$60
3	Screw, M4 x 8mm, (Local Hew Supply)	4	-	-
4	Screw, M5.5 x 14mm, (Local Hew Supply)	5	-	-
5	Premix Channel, Air Inlet, PF200 - 210	1	54249	\$126
	Premix Channel, Air Inlet, PF300 - 399	1	54250	\$190
6	Gasket, Chanell to Burner	1	54186	\$30
7	Burner – PF50	1	54174	\$363
	Burner – PF80	1	54175	\$417
	Burner – PF110	1	54176	\$467
	Burner – PF140	1	54177	\$516
8	Nut, M6, 10MM Hex, (Local Hdwr Supply)	6	-	-
9	Burner Mounting Plate Kit PUREFIRE, Includes , 8 & 9a	1	54183	\$114
9a	Insulation, Combustion Chamber Cover Plate	1	54255	\$35
10	Gasket, Rubber	1	54187	\$20
N/L	Rope Seal, Must order item #9	1	-	-
12	M4 X 8 MM SS Screw Target Wall, (Local Hdwr Supply)	1	-	-
13	Washer, M4, (Local Hdwr Supply)	1	-	-
14	Insulation, Target Wall	1	54185	\$48
15	Heat Exchanger – PF-50 (For Credit Reference Only)	1	5410	\$1,742
	Heat Exchanger – PF-80 (For Credit Reference Only)	1	5411	\$2,064
	Heat Exchanger – PF-110 (For Credit Reference Only)	1	5412	\$2,726
	Heat Exchanger – PF-140 (For Credit Reference Only)	1	5413	\$3,362
16	Gasket, Blower to Channel	1	54122	\$18
17	Blower – PF-50, PF-80	1	54189	\$455
	Blower – PF-1 10	1	54190	\$529
	Blower – PF-140	1	54191	\$582
18	M5-0.80 X 12MM Screw, (Local Hardware Supply)	4	-	-
19	Blower Adapter Plate	1	5421	\$37
20	M4 x 10mm Screw, (Local Hew Supply)	3	-	-
21	Swirl Plate – PF-50, Blue	1	54144	\$56
	Swirl Plate – PF-80, Black	1	54143	\$56
	Swirl Plate – PF-1 10, White	1	54145	\$56
	Swirl Plate – PF-140, Red	1	54146	\$57

	Description	Quantity Required	Stock Code	Trade Price
22	Gas Valve – PF-50, w/ Mtg. Flange, Swirl Plate & Screws	1	54178	\$397
	Gas Valve – PF-80, w/ Mtg. Flange, Swirl Plate & Screws	1	54179	\$377
	Gas Valve – PF-1 10, w/ Mtg. Flange, Swirl Plate & Screws	1	54180	\$444
	Gas Valve – PF-140, w/ Mtg. Flange, Swirl Plate & Screws	1	54181	\$492
23	Rectifier Cap Screw, M4 x 30mm, (Local Hew Supply)	1	-	-
24	Screw, M4 x 20mm, PF50/80/110 (Local Hew Supply)	4	-	-
	Screw, M4 x 25mm, PF140 (Local Hew Supply)	4	-	-
Vent Termination Kits				
N/S	3" Vent Per Stainless Steel Screen	1	54196	\$10
N/S	PVC 3" P400-030 Tee	1	54151	\$50
N/S	PVC 3" P100-030 Coupling	1	54152	\$50
Poly-Propylene Venting				
N/S	80/125mm White Concentric Sidewall Vent kit – Includes Concentric Vent Termination, Outer Wall Bracket, Inner Wall Bracket with Securing Tab and Screws	-	54396	\$120
N/S	100/150mm White Concentric Sidewall Vent kit – Includes Concentric Vent Termination, Outer Wall Bracket, Inner Wall Bracket with Securing Tab and Screws	-	54499	\$406
N/S	3", 80/125mm White, Black Concentric Vertical Termination	-	54500	\$326
N/S	4", 100/150mm White, Black Concentric Vertical Termination	-	54501	\$506
N/S	3", 80/1 00 White Concentric 90 Degree Elbow with Locking Band	-	54085	\$66
N/S	4", 100/150 White Concentric 90 Degree Elbow with Locking Band	-	54435	\$178
Miscellaneous				
N/S	Large Clamp Hose	3	54276	\$10
N/S	Small Clamp Hose	3	54139	\$28
N/S	Condensate Neutralizer	1	54121	\$94
N/S	Wing Nut for Condensate tank, (Local Hardware Supply)	2	-	-
N/S	Convenience Outlet, (Local Hdwr Supply)	1	54136	\$18
N/S	Switch Condensate Float w/ Cap Switch	1	54137	\$69
N/S	Condensate Collector	1	54120	\$94
N/S	Wall Mounting Kit, (inch PF-50 PF-140)	1	5636	\$95
N/S	Fuel Conversion Kit , Contained in Boiler Envelope Assembly	1	54194	\$20
N/S	Condensate Neutralizer 1 lb Bag	1	54159	\$27



PeerlessBoilers.com

Peerless® PUREFIRE®

PF-200, PF-210, PF-300 & PF-399

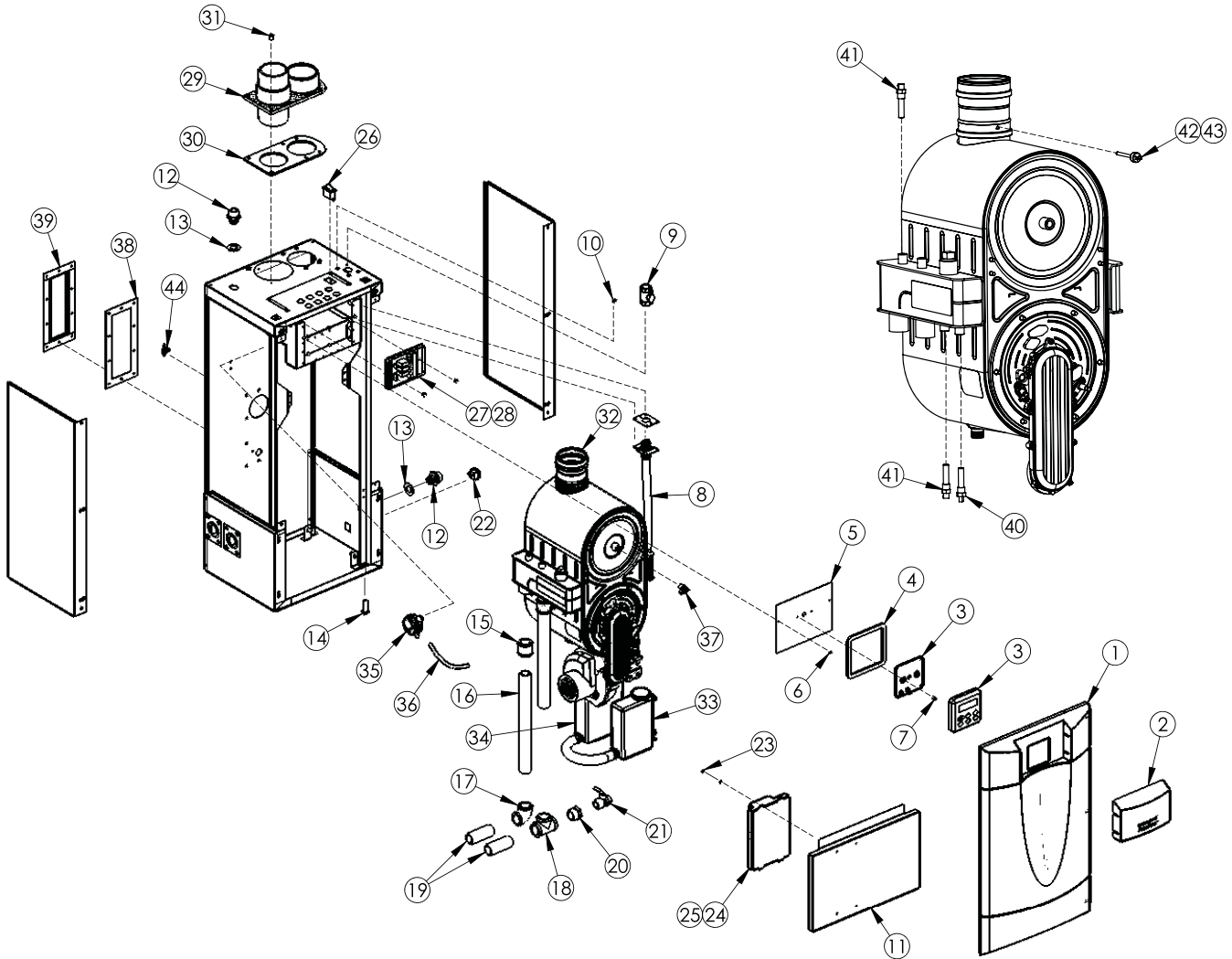
All repair parts orders - no minimum charges.

Please order with code number.

All prices quoted are in U.S. dollars.

All prices subject to change without notice.

All prices F.O.B. Bally, PA



PF-200, PF-210, PF-300 & PF-399



PeerlessBoilers.com

Peerless® PUREFIRE®

PF-200, PF-210, PF-300 & PF-399

All repair parts orders - no minimum charges.

Please order with code number.

All prices quoted are in U.S. dollars.

All prices subject to change without notice.

All prices F.O.B. Bally, PA

	Description	Quantity Required	Stock Code	Trade Price
1	Panel, Jacket Front Door, with Ball Studs	1	54256	\$258
2	Lens for Jacket Front Door	1	–	\$89
	Display Module, 852RC 4 Wire, PF-50-399, See Item 24	1	–	–
4	Gasket for Display Bracket	1	54153	\$18
5	Bracket for Display Module	1	PF2007-1	\$24
6	Hex Nut, #6-32 with Lock washer, (Local Hdwr Supply)	2	–	–
7	Screw, #6-32 x 1/2" LG Phillips Head, (Local Hdwr Supply)	2	–	–
8	Flexible Gas Line – 3/4" – PF-210 Low Pressure Kit	1	54497	\$118
	Flexible Gas Line – 3/4" – PF-399	1	54262	\$117
N/L	Gasket for Gas Line	1	–	–
9	Manual Shut-off Valve, 3/4" NPT , Full Port	1	54142	\$10
10	Screw, #10 x 1/2" LG Hex. Hd., (Local Hdwr Supply)	1	51805	\$27
11	Jacket, Lower Front Panel	2	PF6051	\$86
12	Bulk Head Fitting for Condensate Hose	1	54140	\$33
N/L	Jacket Side Panel – PF-210	1	54244	\$808
	Jacket Side Panel – PF-399	1	54245	\$888
13	Gasket for Bulk Head Fitting	1	54134	\$19
14	Leg Leveler	4	93867	\$10
15	Coupling, 1" NPT Brass, (Local Hdwr Supply) – PF-200- 210	2	5534	\$19
	Coupling, 1-1/2" NPT Brass, (Local Hdwr Supply) – PF-300-399	2	5551	\$48
16	Nipple, 1" NPT x 14" LG Brass , (Local Hdwr Supply) – PF-200- 210	2	5557	\$120
	Nipple, 1-1/2" NPT x 14" LG Brass, (Local Hdwr Supply) – PF-300-399	2	5550	\$159
17	Elbow, 1" NPT Brass, (Local Hdwr Supply) – PF-200- 210	1	5558	\$31
	Elbow, 1-1/2" NPT Brass, (Local Hdwr Supply) – PF-300-399	1	5553	\$57
18	Tee, 1" NPT Brass, (Local Hdwr Supply) – PF-200- 210	1	5537	\$31
	Tee, 1-1/2" NPT Brass, (Local Hdwr Supply) – PF-300-399	1	5554	\$82
19	Nipple, 1" NPT x 3" Brass, (Local Hdwr Supply) – PF-200- 210	2	5559	\$28
	Nipple, 1-1/2" NPT x 3" Brass, (Local Hdwr Supply) – PF-300-399	2	5552	\$42
20	Reducing Bushing, 1" x 3/4" NPT Brass, (Local Hdwr Supply) – PF-200- 210	1	–	–
	Reducing Bushing, 1-1/2" x 3/4" NPT Brass, (Local Hdwr Supply) – PF-300-399	1	–	–
21	Shut-off Valve, 3/4" NPT Brass, (Local Hdwr Supply)	1	50764	\$19
N/L	Nipple, 3/4" NPT x 16" LG Brass, Replaced by 3/4 plug (BRS)	1	–	–
22	Convenience Outlet, (Local Hdwr Supply)	1	–	–
23	Hex. Nut, #8-32 with Lockwasher, (Local Hdwr Supply)	4	–	–
24	Display Module & Control Module Kit, 852MN – PF-200	1	54713	\$562
	Display Module & Control Module Kit, 852MN – PF-210	1	54714	\$562
	Display Module & Control Module Kit, 852MN – PF-300	1	54715	\$562
	Display Module & Control Module Kit, 852MN – PF-399	1	54716	\$562
25	3.15A. 250V 5x20mm Slow-Blow Glass Fuse, (Local Hdwr Supply)	1	5650	\$10
26	Rocker Switch (20A., 120 VAC, (Local Hdwr Supply)	1	5701	\$28
28	Relay RIBMU1C, Obsolete	1	54549	\$27
	Pump Isolation Relay Module, RIBMU2C Obsolete	1	–	–
	Pump Isolation Relay Module, Obsolete	1	–	–
	Pump Isolation Relay Module Kit , Includes harness	1	54610	\$338
N/S	10-Amp 125V 5x20mm Slow Blow Fuse, (Local Hdwr Supply)	4	–	–



PeerlessBoilers.com

Peerless® PUREFIRE®

PF-200, PF-210, PF-300 & PF-399

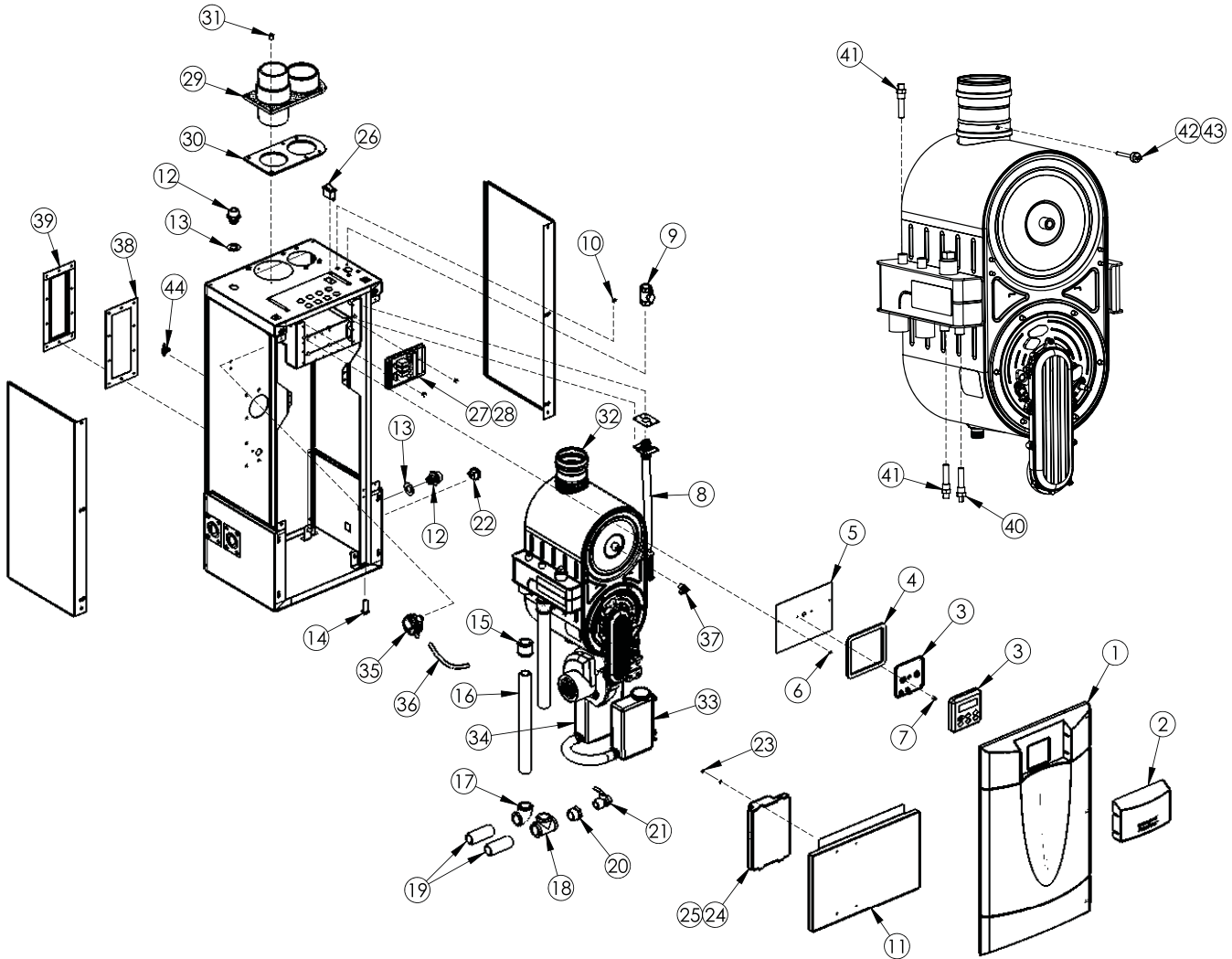
All repair parts orders - no minimum charges.

Please order with code number.

All prices quoted are in U.S. dollars.

All prices subject to change without notice.

All prices F.O.B. Bally, PA



PF-200, PF-210, PF-300 & PF-399



PeerlessBoilers.com

Peerless® PUREFIRE®

PF-200, PF-210, PF-300 & PF-399

All repair parts orders - no minimum charges.

Please order with code number.

All prices quoted are in U.S. dollars.

All prices subject to change without notice.

All prices F.O.B. Bally, PA

	Description	Quantity Required	Stock Code	Trade Price
29	Vent / Air Adapter, 3" – PF-210, (Earlier Models, Obsolete, 7/11)	1	54200	\$46
	Vent / Air Adapter, 4" – PF-399, Earlier Models, Obsolete, 7/11	1	54201	\$54
	Vent / Air Stub Adapter, 3" – PF-210	1	54293	\$105
	Vent / Air Stub Adapter, 4" – PF-399	1	54294	\$129
30	Gasket, Vent Adapter, 3" – PF-50/210	1	54133	\$33
	Gasket, Vent Adapter, 4" – PF-399	1	54217	\$12
31	Screw, #10 x 3/4" LG Phillips Pan Hd. Type A Zinc, (Local Hdwr Supply)	6	–	–
32	Heat Exchanger Outlet Collar, 3" – PF-210	1	5531	\$105
	Heat Exchanger Outlet Collar, 4" – PF-399	1	5532	\$141
N/S	Vent Stub, 3" – PF-210, (Earlier Models, Obsolete, 7/11)	1	54221	\$105
	Vent Stub, 4" – PF-399, (Earlier Models, Obsolete, 7/11)	1	54220	\$155
33	Condensate Neutralizer Assembly	1	54204	\$107
34	Condensate Receiver Assembly	1	54259	\$149
35	Blocked Vent Switch Kit includes items 36 & 37	1	54260	\$42
36	1/4" ID Tubing x 12" Long, (Local Hdwr Supply)	1	–	–
37	90° Barbed Elbow Polyethylene Adapter Fitting, 1/4 NPT X 1/4 Barb	1	5698	\$8
38	Gasket for Thermal Temperature	1	5698	\$8
39	Cover Plate for Thermal Temperature Limit	1	5532	\$141
N/S	Supply Sensor/Switch, 12kOhm Tasseron Kit, (units Prior to 10/2010)	1	54299	\$95
40	Hi Limit Switch Tasseron TSDS950	1	54419	\$40
41	Supply/Return Sensor, 12kOhm Tasseron TSD00BS	2	54418	\$51
42	Grommet for Flue Sensor	1	54291	\$13
43	Flue Sensor, 12kOhm Tasseron TSDZ0B0	1	54209	\$38
44	Thermal Temperature Limit, 605 F	1	54475	\$13
N/S	Wiring Harness, Power (Right Terminal Block) used w/ 4 pole relay	1	54629	\$163
N/S	Wiring Harness, Control (Left Terminal Block)	1	PF7021	\$151
N/S	Wiring Harness, Gas Valve & Flame Sensor	1	PF7023	\$71
N/S	Wiring Harness, Ground Wire	1	PF7024	\$10
N/S	Push-on Terminal Block (Field Wiring) 10-pole	2	5450	\$18
N/S	Push-on Terminal Block (Field Wiring) 6-pole	2	5547	\$13
N/S	30 Lbs. Relief Valve Standard, (Local Hdwr Supply)	1	50664	\$72
N/S	50 Lbs. Relief Valve Optional, (Local Hdwr Supply)	1	51029	\$99
N/S	80 Lbs. Relief Valve Optional, (Local Hdwr Supply)	1	51030	\$0
N/S	125 Lbs. Relief Valve Optional, (Local Hdwr Supply)	1	54274	\$116
N/S	150 Lbs. Relief Valve Optional, (Local Hdwr Supply)	1	54471	\$137
N/S	Harness PF210/399 Split Sensor / Limit Adapter	1	54421	\$15
N/S	DHW Sensor, Optional (PP Partner) 12kOhm Tasseron TSK1 0BH	1	54157	\$65
N/S	DHW Sensor, Optional (PT Partner) 12kOhm Tasseron TSK10B7	1	54478	\$45
N/S	DHW Sensor, Optional (Amtrol) 12kOhm Tasseron TSK10B7	1	54158	\$34
N/S	System Sensor, 12kOhm Tasseron TSA00BC	1	54156	\$66
N/S	Outdoor Sensor, 12kOhm Tasseron TSA00B4	1	54112	\$55
Optional items				
N/S	PFA-1 Interface Board Kit Consisting of:	1	54271	\$296
N/S	Adapter Interface Board PFA-1 ARGUS 852IF-3R-0	1	54270	\$356
N/S	Low Voltage Stub Harness	1	PF7027	\$23
N/S	Line Voltage Stub Harness	1	PF7028	\$27
N/S	Analog Input Stub Harness (Rev 0 & 1) Obs 4/10	1	PF7031	\$18
N/S	ModBus Stub Harness	1	PF7030	\$16
Miscellaneous				
N/S	4" 304 Stainless Steel Vent Screen	2	54213	\$11
N/S	320°F 0-75# 2-1/2 Round Gauge, Howe	1	51324	\$27
N/S	Stand (PureFire)	1	91400	\$339
N/S	Conversion Kit PF-200 to PFW-200 (Domestic)	1	91177	\$527
N/S	Conversion Kit PF-300 to PFW-300 (Domestic)	1	91178	\$79



PeerlessBoilers.com

Peerless® PUREFIRE®

PF-200, PF-210, PF-300 & PF-399

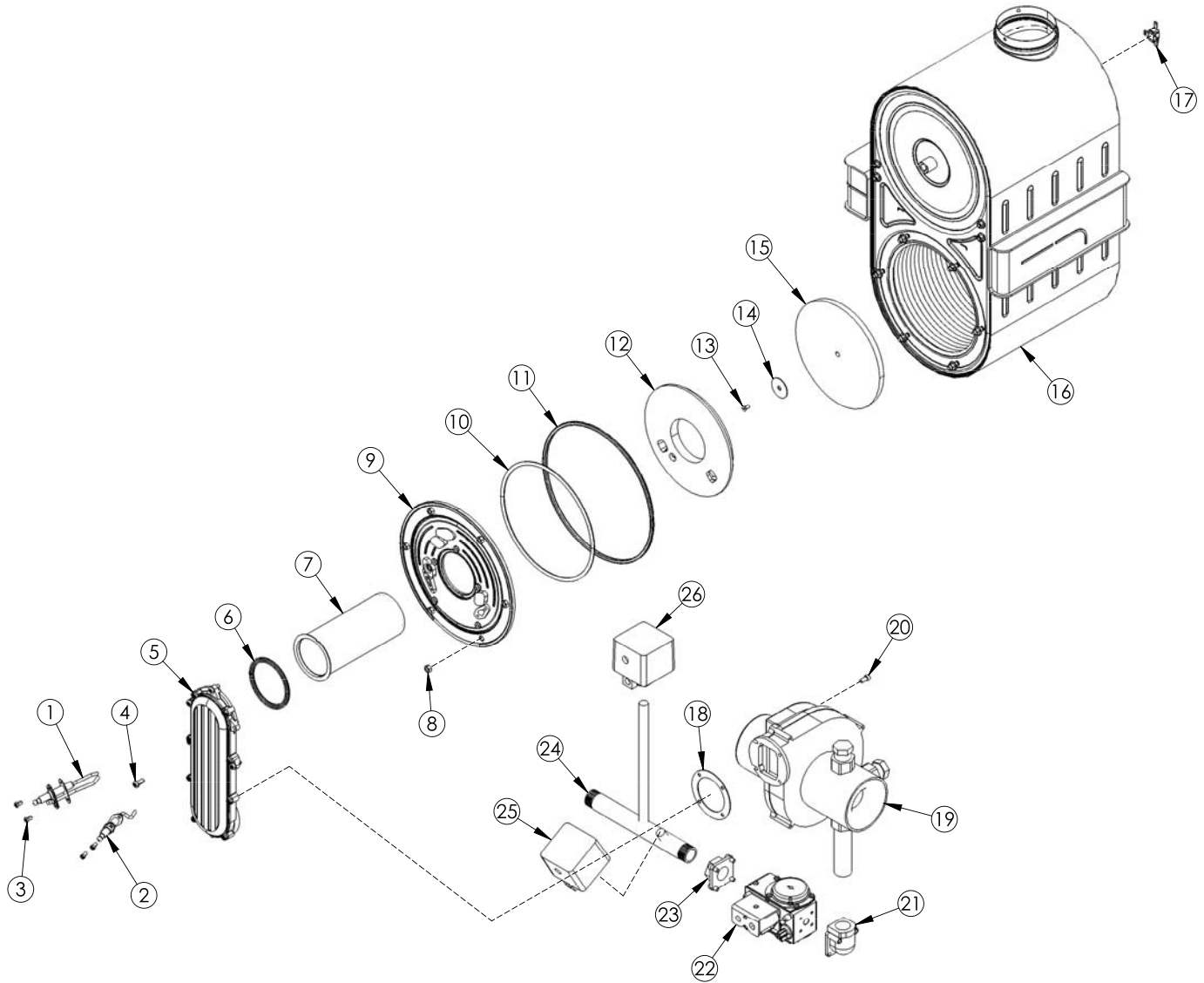
All repair parts orders - no minimum charges.

Please order with code number.

All prices quoted are in U.S. dollars.

All prices subject to change without notice.

All prices F.O.B. Bally, PA



PF-200, PF-210, PF-300 & PF-399



PeerlessBoilers.com

Peerless® PUREFIRE®

PF-200, PF-210, PF-300 & PF-399

All repair parts orders - no minimum charges.

Please order with code number.

All prices quoted are in U.S. dollars.

All prices subject to change without notice.

All prices F.O.B. Bally, PA

	Description	Quantity Required	Stock Code	Trade Price
1	Kit Igniter & Cable w/ Hardware, PF50-399	1	54246	\$90
2	Flame Sensor w/ Gasket & Hardware	1	54247	\$60
3	Screw, M4 x8mm, (Local Hew Supply)	4	–	–
4	Screw, M5.5 x 14mm, (Local Hew Supply)	5	–	–
6	Gasket, Channel to Burner	1	54186	\$30
7	Burner – PF-210	1	54263	\$571
	Burner – PF-399	1	54264	\$673
8	Nut, M6, 10MM Hex, (Local Hdwr Supply)	6	–	–
9	200 / 210 Combustion Chamber Cover Plate Kit, Current ,includes items # 8,10, 11& 12 w/ Hardware	1	54206	\$261
9a	Combustion Chamber Cover PF	1	54183	\$114
10	Thermal Tempeture Limit, 435F – Burner Plate	1	50045	\$15
N/L	Gasket, Glass Rope, (Must use Cover Plate Kit)	1	–	–
11	Gasket, Rubber	1	54187	\$20
12	Insulation, Combustion Chamber Cover Plate	1	54255	\$35
13	M4 X 8 MM SS Screw Target Wall, (Local Hdwr Supply)	1	–	–
14	Washer, M4, (Local Hdwr Supply)	1	–	–
15	Insulation, Target Wall	1	54185	\$48
16	Heat Exchanger – PF-200 - 210 (For Credit Referance Only)	1	5529	\$3,672
	Heat Exchanger – PF-300 - PF-399 (For Credit Referance Only)	1	5530	\$7,599
17	Gasket, Blower to Channel	1	54122	\$18
18	Blower Kit, PF-200 - 210 w/ Restrictor	1	54258	\$768
	Blower Kit, PF-300 - 399 w/ Restrictor	1	54257	\$765
19	M5-0.80 X 12MM Screw, (Local Hdwr Supply)	4	–	–
20	Blower Adapter Plate – PF-210	1	5421	\$37
	Blower Adapter Plate – PF-399	1	5610	\$13
21	M4 x 10mm Screw, (Local Hdwr Supply)	3	–	–
22	Swirl Plate – PF-210, Grey	1	54251	\$57
	Swirl Plate – PF-399, Black	1	54252	\$56
23	Gas Valve – PF-210, includes item #22	1	54253	\$546
	Gas Valve – PF-399, includes item #22	1	54254	\$701
24	Screw, M4 x 25mm,T20 Torx, PF-200 - 210 (Local Hdwr Supply)	3	–	–
25	Screw, M4 x 30mm, T20 Torx, PF-300, 399 (Local Hdwr Supply)	3	–	–