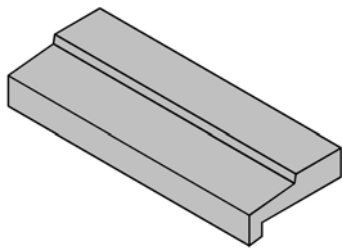
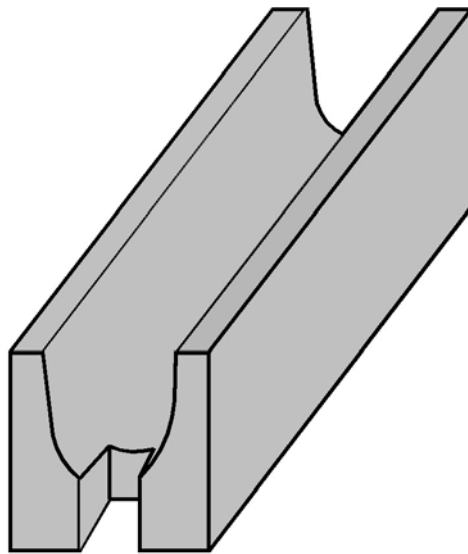


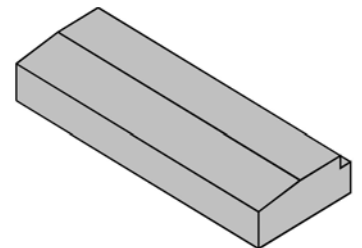
PRECAST CONCRETE PRODUCTS



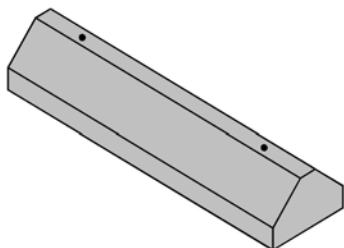
SILLS



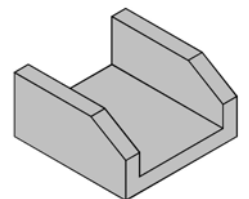
U - LINTELS



THRESHOLDS



PARKING BUMPERS



SCUPPERS



COMPANY HISTORY

Cast-Crete was founded in Tampa Bay, Florida in 1955 as a producer of precast concrete products for the building industry. With over 55 years experience, **Cast-Crete** is known in the precast concrete industry for its extensive knowledge, leadership, and innovation. **Cast-Crete** pioneered the use of precast concrete U - Lintels and today is the world's largest producer of precast concrete lintels and sills.

TECHNICAL SUPPORT

VISIT WWW.CASTCRETE.COM FOR:

- Additional product literature
- Technical support contact information
- Free National Concrete Masonry Association E-TEK manual
- And more.....

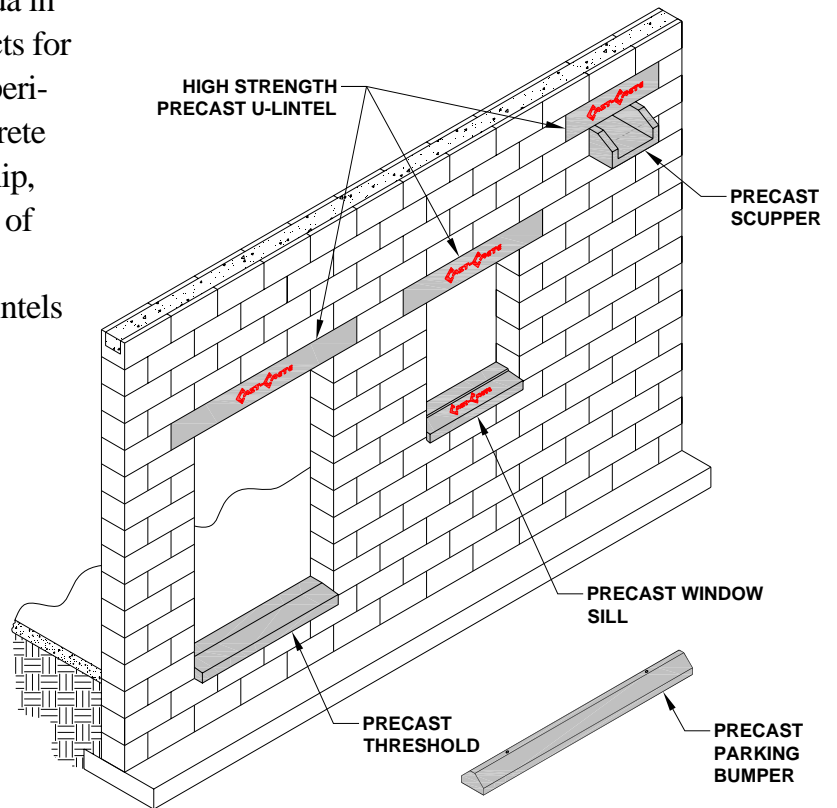


TABLE OF CONTENTS



INTRODUCTION

Company History 2
 Technical Support 2
 Corporate Policy 3

U-LINTELS

8 Inch Precast 4
 8 Inch Prestressed 4
 8 Inch Precast w/2 Inch Recess 5
 12 Inch Precast 6
 12 Inch Precast w/2 Inch Recess 7
 10 Inch Precast 7
 6 Inch Precast 8
 U-Lintel Product Description and Benefits 8
 Installation of Composite U-Lintel 9
 Composite U-Lintel Types 10-11
 How to Read Safe Load Tables 12
 Arching Action & Triangular Load 13
 RCMU 13
 8 Inch Safe Load Tables 14
 8 Inch Recess Safe Load Tables 16
 6 Inch Safe Load Tables 17
 12 Inch Safe Load Tables 18
 8 Inch Recess Safe Load Tables 19

WINDOW SILLS

Wind Resistant 20
 HiDri 22

THRESHOLDS

Swing Door 23
 Sliding Glass Door 23

SCUPPERS

8,12, and 16 Inch Wide 24

PARKING BUMPERS

Heavy Duty 25

SOLID LINTELS

4 Inch Precast 26

CORPORATE POLICY

Every concrete products producer in America claims to sell quality products at competitive prices, and to back up all orders with superior service.

Cast-Crete also has these policies. But we say it this way:

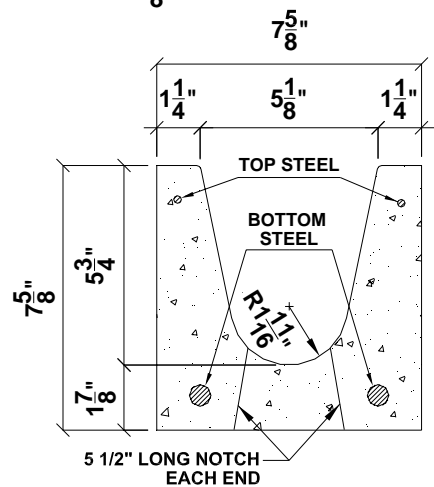
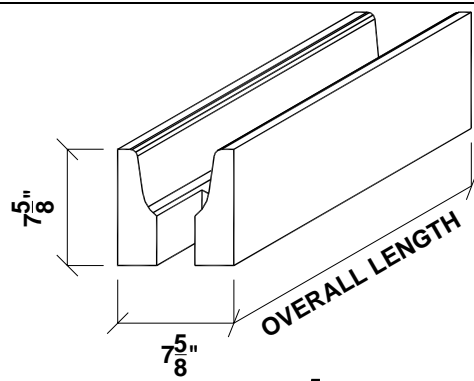
- 1. QUALITY:** Cast-Crete guarantees that every lintel and sill it sells meets or exceeds all known federal, state, and local strength and quality specifications. Should tests prove any failure to meet such specifications, Cast-Crete, at its own expense, will replace "IN THE WALL" all units supplied to the job.
- 2. SERVICE:** Cast-Crete guarantees delivery as promised on every lintel and sill order on the agreed delivery date. If we fail to perform on any guaranteed delivery, Cast-Crete will pay for any resulting unproductive labor charges. Money talks. We don't claim to be perfect. But if you lose through our failure, you can look to us to pay the bill.
- 3. GUARANTEE:** Cast-Crete's lintels and sills are guaranteed against any and all defects in work-manship and/or materials for the lifetime of the structure into which they are properly installed.

8" PRECAST U-LINTELS STANDARD LENGTHS



OVERALL LENGTH	TOP STEEL	BOTTOM STEEL
3'-0" (36")	2 -7/32" wire	2 -#3 rebar
3'-4" (40")	2 -7/32" wire	2 -#3 rebar
3'-6" (42")	2 -7/32" wire	2 -#3 rebar
4'-0" (48")	2 -7/32" wire	2 -#3 rebar
4'-6" (54")	2 -7/32" wire	2 -#3 rebar
4'-8" (56")	2 -7/32" wire	2 -#3 rebar
5'-4" (64")	2 -7/32" wire	2 -#3 rebar
5'-10" (70")	2 -7/32" wire	2 -#3 rebar
6'-0" (72")	2 -7/32" wire	2 -#4 rebar
6'-6" (78")	2 -7/32" wire	2 -#4 rebar
6'-8" (80")	2 -7/32" wire	2 -#4 rebar
7'-4" (88")	2 -7/32" wire	2 -#4 rebar
7'-6" (90")	2 -7/32" wire	2 -#4 rebar
8'-0" (96")	2 -#3 rebar	2 -#4 rebar
8'-8" (104")	2 -#3 rebar	2 -#4 rebar
9'-4" (112")	2 -#3 rebar	2 -#4 rebar
10'-0" (120")	2 -#3 rebar	2 -#4 rebar
10'-6" (126")	2 -#3 rebar	2 -#4 rebar
10'-8" (128")	2 -#3 rebar	2 -#5 rebar
11'-4" (136")	2 -#3 rebar	2 -#5 rebar
12'-0" (144")	2 -#3 rebar	2 -#5 rebar
13'-4" (160")	2 -#3 rebar	2 -#5 rebar
14'-0" (168")	2 -#3 rebar	2 -#5 rebar

Additional lengths available by special order

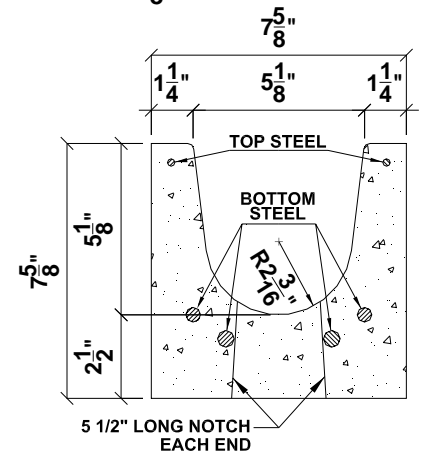
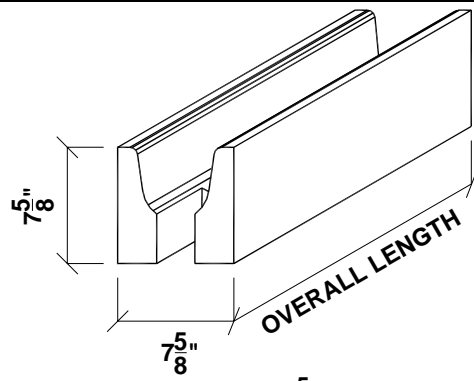


Rebar: ASTM A615 Grade 60
 Wire: ASTM A510
 Concrete Strength: 3500 psi
 Average Self Weight: 33 plf
 Finish: Grey Block

8" PRESTRESSED U-LINTELS STANDARD LENGTHS

OVERALL LENGTH	TOP STEEL	BOTTOM STEEL
14'-8" (176")	NONE	2 -7/16 strand
15'-4" (184")	NONE	2 -7/16 strand
17'-4" (208")	NONE	2 -7/16 strand
19'-4" (232")	2 -7/32" wire	2 -7/16 strand
21'-4" (256")	2 -7/32" wire	2 -7/16 strand 2 - #4 rebar
22'-0" (264")	2 -7/32" wire	2 -7/16 strand 2 - #4 rebar
24'-0" (288")	2 -7/32" wire	2 -7/16 strand 2 - #4 rebar

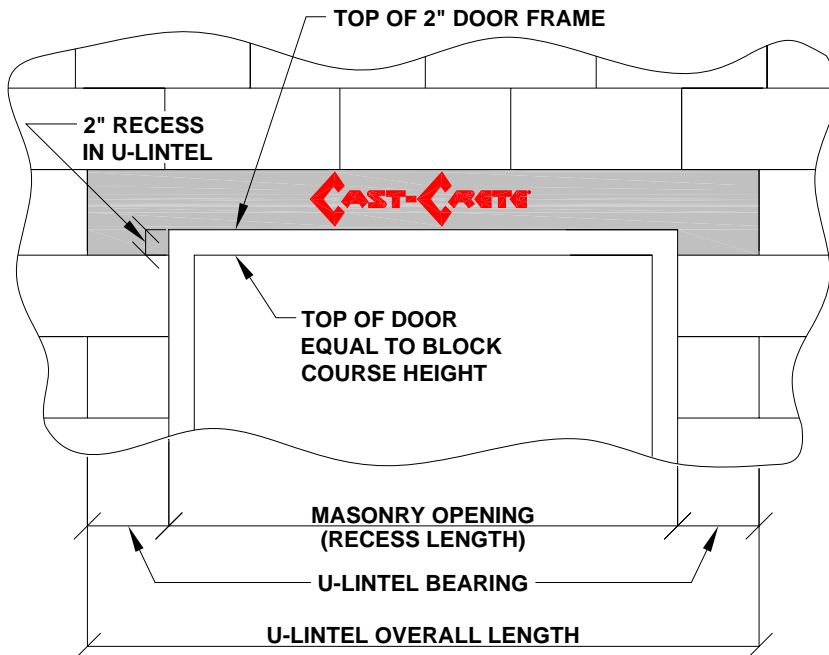
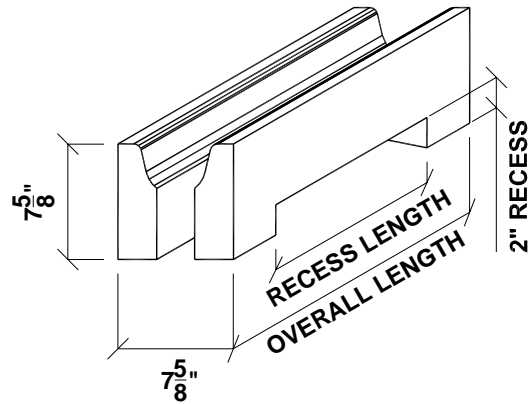
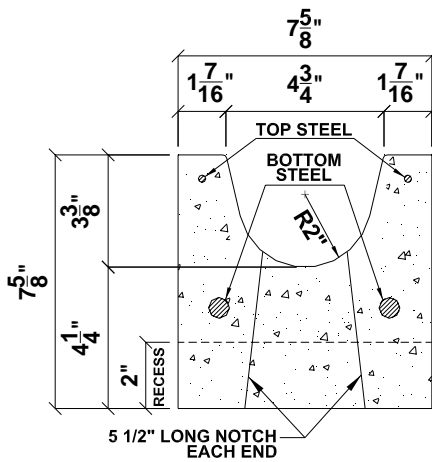
Additional lengths available by special order



Rebar: ASTM A615 Grade 60
 Wire: ASTM A510
 Strand: ASTM A416 Grade 270
 Concrete Strength: 6000 psi
 Synthetic Fibers: 2.5 lbs/yd
 Average Self Weight: 37 plf
 Finish: Grey Smooth Form

OVERALL LENGTH	RECESS LENGTH	DOOR SIZE	TOP STEEL	BOTTOM STEEL
3'-8" (44")	2'-4"	2'-0"	2 -7/32" wire	2 -#3 rebar
4'-0" (48")	2'-8"	2'-4"	2 -7/32" wire	2 -#3 rebar
4'-4" (52")	3'-0"	2'-8"	2 -7/32" wire	2 -#3 rebar
4'-6" (54")	3'-4"	3'-0"	2 -7/32" wire	2 -#3 rebar
5'-8" (68")	4'-4"	4'-0"	2 -7/32" wire	2 -#3 rebar
5'-10" (70")	4'-8"	3'-0" W/12" sidelite	2 -7/32" wire	2 -#3 rebar
6'-8" (80")	5'-4"	5'-0"	2 -#3 rebar	2 -#4 rebar
7'-0" (84")	5'-8"	5'-4"	2 -#3 rebar	2 -#4 rebar
7'-6" (90")	6'-4"	6'-0"	2 -#3 rebar	2 -#4 rebar
9'-8" (116")	8'-4"	8'-0"	2 -#3 rebar	2 -#4 rebar

Additional lengths available by special order



TYPICAL USE

Rebar: ASTM A615 Grade 60
Wire: ASTM A510
Concrete Strength: 3500 psi
Average Self Weight: 29 plf
Finish: Grey Block

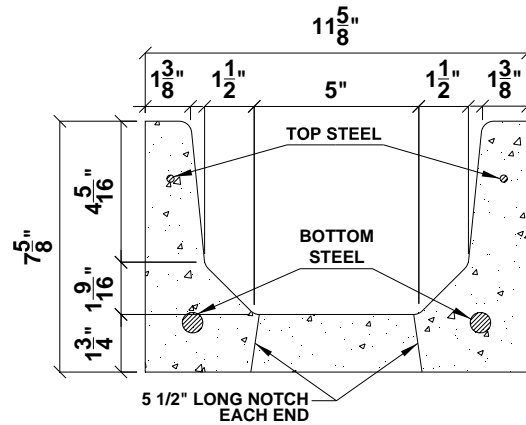
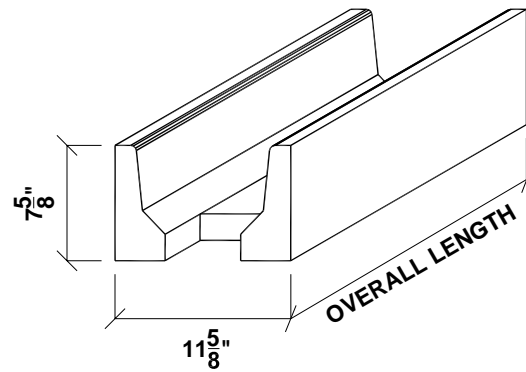
Note: 2" recess door U-lintels are used where the top of the door is equal to the block course height with a 2" door frame.

12" PRECAST U-LINTELS STANDARD LENGTHS

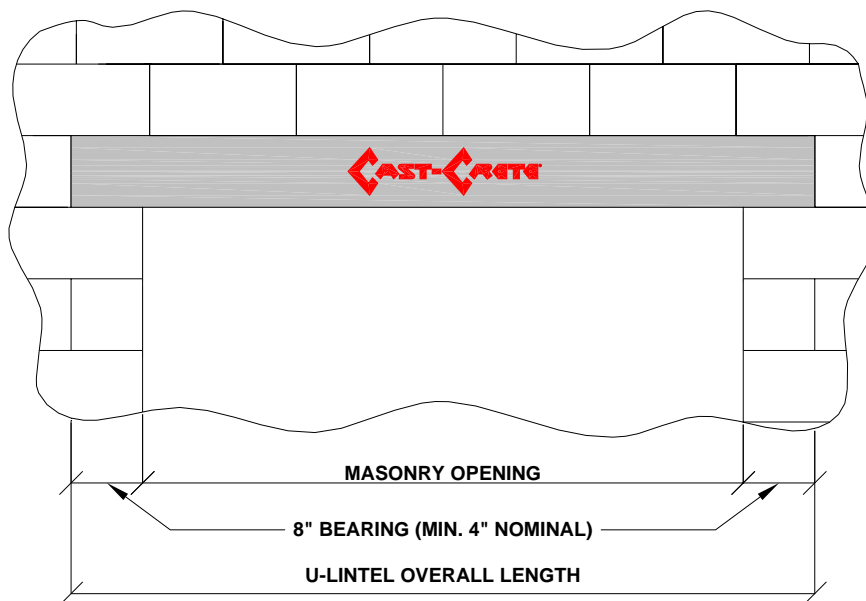


OVERALL LENGTH	TOP STEEL	BOTTOM STEEL
3'-4" (40")	2 -7/32" wire	2 -#5 rebar
3'-6" (42")	2 -7/32" wire	2 -#5 rebar
4'-0" (48")	2 -7/32" wire	2 -#5 rebar
4'-6" (54")	2 -7/32" wire	2 -#5 rebar
4'-8" (56")	2 -7/32" wire	2 -#5 rebar
5'-4" (64")	2 -7/32" wire	2 -#5 rebar
5'-10" (70")	2 -7/32" wire	2 -#5 rebar
6'-0" (72")	2 -7/32" wire	2 -#5 rebar
6'-6" (78")	2 -7/32" wire	2 -#5 rebar
6'-8" (80")	2 -7/32" wire	2 -#5 rebar
7'-4" (88")	2 -7/32" wire	2 -#5 rebar
7'-6" (90")	2 -7/32" wire	2 -#5 rebar
8'-0" (96")	2 -#3 rebar	2 -#5 rebar
8'-8" (104")	2 -#3 rebar	2 -#5 rebar
9'-4" (112")	2 -#3 rebar	2 -#5 rebar
10'-6" (126")	2 -#3 rebar	2 -#5 rebar
10'-8" (128")	2 -#3 rebar	2 -#5 rebar
11'-4" (136")	2 -#3 rebar	2 -#5 rebar
12'-0" (144")	2 -#3 rebar	2 -#5 rebar
13'-4" (160")	2 -#3 rebar	2 -#5 rebar
14'-0" (168")	2 -#3 rebar	2 -#5 rebar
14'-8" (176")	2 -#3 rebar	2 -#5 rebar
15'-4" (184")	2 -#3 rebar	2 -#5 rebar
17'-4" (208")	2 -#3 rebar	2 -#5 rebar
19'-4" (232")	2 -#3 rebar	2 -#5 rebar

Additional lengths available by special order



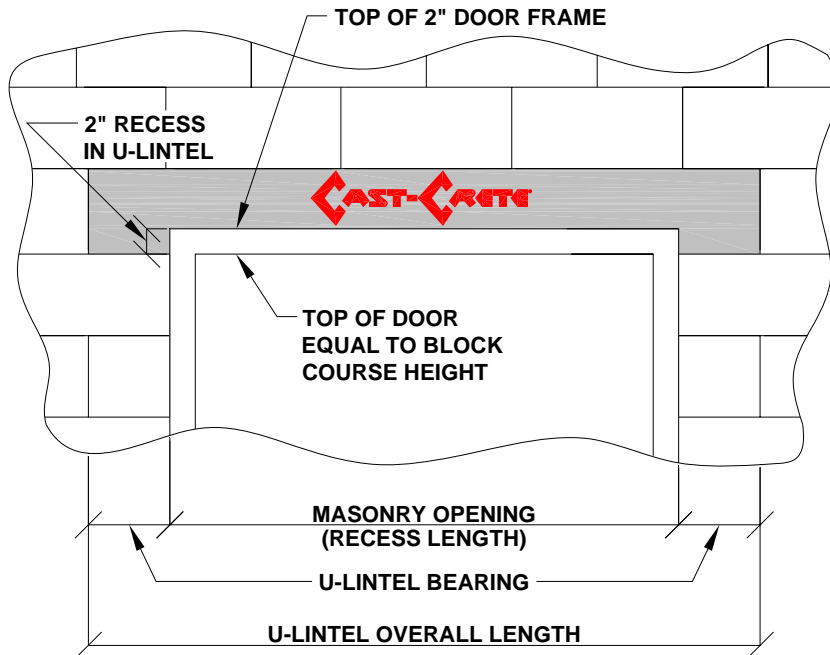
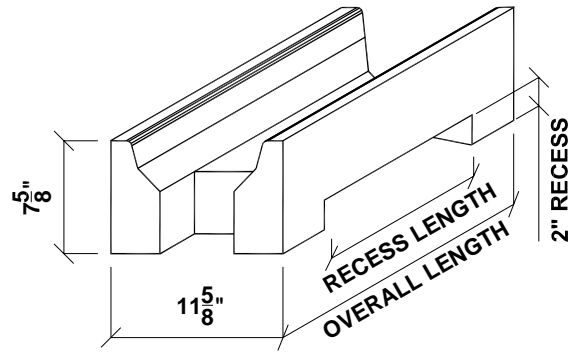
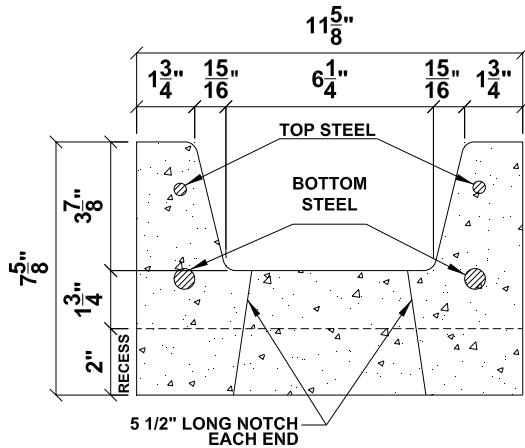
Rebar: ASTM A615 Grade 60
Wire: ASTM A510
Concrete Strength: 6000 psi
Average Self Weight: 44 plf
Finish: Grey Smooth Form



TYPICAL USE

OVERALL LENGTH	RECESS LENGTH	DOOR SIZE	TOP STEEL	BOTTOM STEEL
4'-0" (48")	2'-8"	2'-4"	2 -7/32" wire	2 -#5 rebar
4'-4" (52")	3'-0"	2'-8"	2 -7/32" wire	2 -#5 rebar
4'-6" (54")	3'-4"	3'-0"	2 -7/32" wire	2 -#5 rebar
5'-8" (68")	4'-4"	4'-0"	2 -7/32" wire	2 -#5 rebar
6'-8" (80")	5'-4"	5'-0"	2 -7/32" wire	2 -#5 rebar
7'-0" (84")	5'-8"	5'-4"	2 -7/32" wire	2 -#5 rebar
7'-6" (90")	6'-4"	6'-0"	2 -7/32" wire	2 -#5 rebar
9'-8" (116")	8'-4"	8'-0"	2 -#3 rebar	2 -#5 rebar

Additional lengths available by special order



TYPICAL USE

- Rebar:** ASTM A615 Grade 60
- Wire:** ASTM A510
- Concrete Strength:** 6000 psi
- Average Self Weight:** 39 plf
- Finish:** Grey Smooth Form

Note: 2" recess door U-lintels are used where the top of the door is equal to the block course height with a 2" door frame.

10" PRECAST U-LINTELS

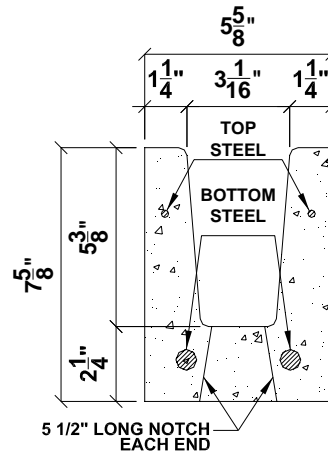
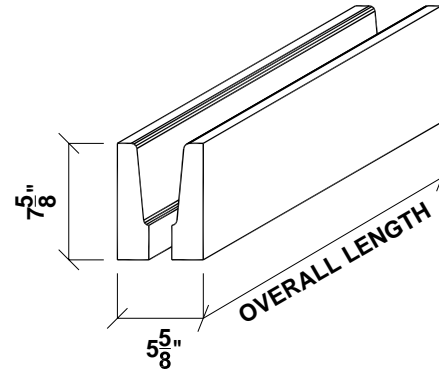
10" Precast U-Lintels are custom made to order. Contact Cast-Crete for additional information.

6" PRECAST U-LINTELS

STANDARD LENGTHS

OVERALL LENGTH	TOP STEEL	BOTTOM STEEL
3'-4" (40")	2 -7/32" wire	2 -#3 rebar
3'-6" (42")	2 -7/32" wire	2 -#3 rebar
4'-0" (48")	2 -7/32" wire	2 -#3 rebar
4'-6" (54")	2 -7/32" wire	2 -#3 rebar
4'-8" (56")	2 -7/32" wire	2 -#3 rebar
5'-4" (64")	2 -7/32" wire	2 -#3 rebar
5'-10" (70")	2 -7/32" wire	2 -#3 rebar
6'-0" (72")	2 -7/32" wire	2 -#4 rebar
6'-6" (78")	2 -7/32" wire	2 -#4 rebar
6'-8" (80")	2 -7/32" wire	2 -#4 rebar
7'-4" (88")	2 -7/32" wire	2 -#4 rebar
7'-6" (90")	2 -7/32" wire	2 -#4 rebar
8'-0" (96")	2 -#3 rebar	2 -#4 rebar
8'-8" (104")	2 -#3 rebar	2 -#4 rebar
9'-4" (112")	2 -#3 rebar	2 -#4 rebar
10'-6" (126")	2 -#3 rebar	2 -#4 rebar
10'-8" (128")	2 -#3 rebar	2 -#5 rebar
11'-4" (136")	2 -#3 rebar	2 -#5 rebar
12'-0" (144")	2 -#3 rebar	2 -#5 rebar
13'-4" (160")	2 -#3 rebar	2 -#5 rebar
14'-0" (168")	2 -#3 rebar	2 -#5 rebar
17'-4" (208")	2 -#3 rebar	2 -#5 rebar

Additional lengths available by special order



Rebar: ASTM A615 Grade 60
Wire: ASTM A510
Concrete Strength: 6000 psi
Average Self Weight: 30 plf
Finish: Grey Smooth Form

U-LINTEL PRODUCT DESCRIPTION

High strength precast and prestressed concrete U-Shape lintels designed to be used unfilled or filled with grout to form a composite reinforced beam using concrete masonry units.

U-LINTELS BENEFITS

LABOR SAVINGS - Set one U-Lintel in lieu of multiple concrete masonry units.

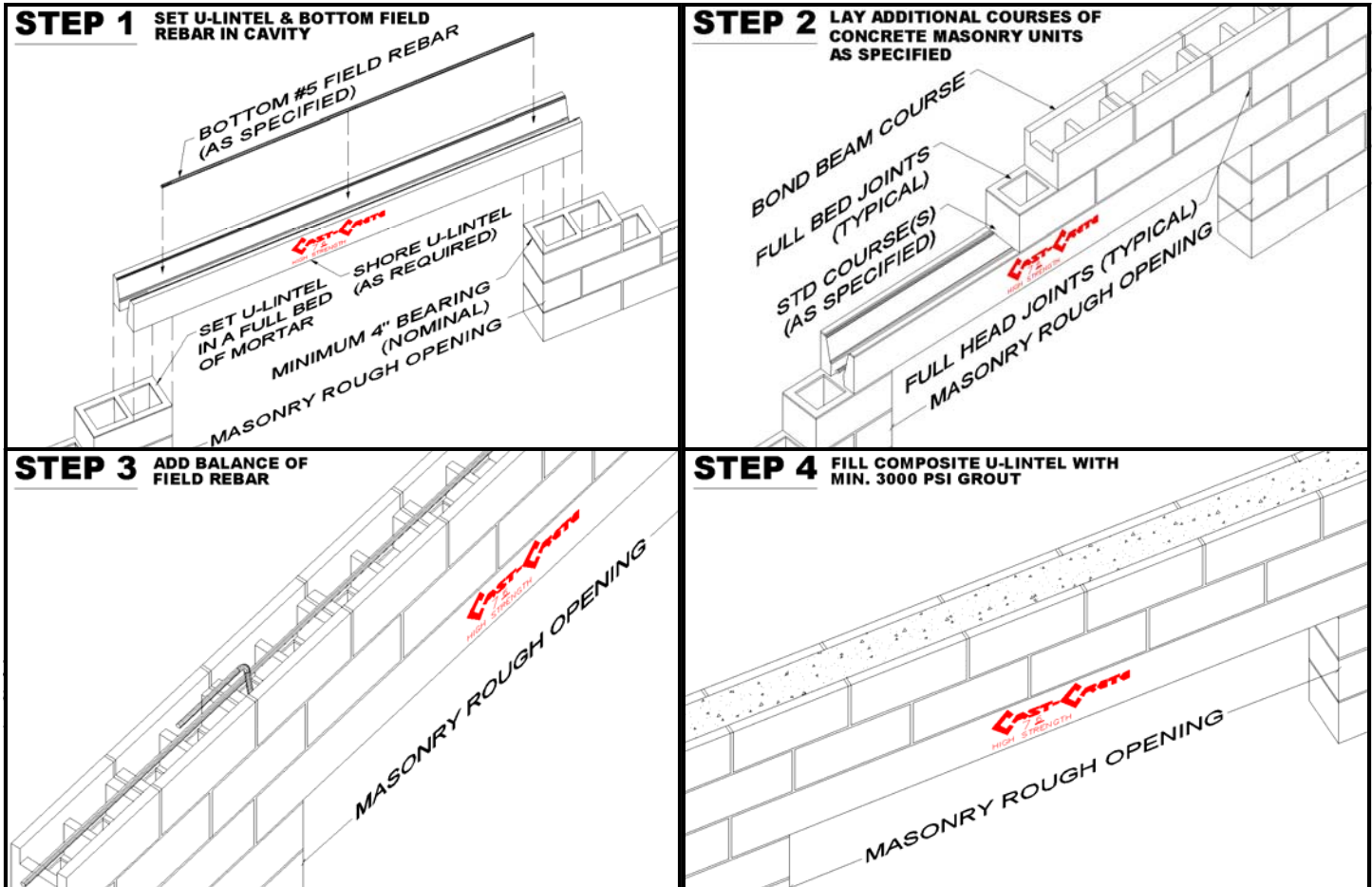
TIME SAVINGS - No waiting for shoring to be installed. Just set the lintel and continue with the next courses.

FLEXIBILITY - Unlimited variations in composite height and field reinforcing results in the U-Lintel being the only lintel required for the project.

SUPERIOR QUALITY - Manufactured in a quality controlled plant environment to strict tolerances and eliminates the uncertainties of field constructed lintels.

ELIMINATION OF STRUCTURAL STEEL LINTELS - Eliminates problems associated with expensive structural steel lintels such as fabrication lead times, corrosion, thermal bridging and differential movement at the supports.

INSTALLATION OF COMPOSITE U-LINTEL



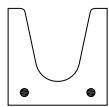
INSTALLATION NOTES

1. Installation of U-lintels must comply with architectural and/or structural drawings.
2. U-lintels are manufactured with a 5 1/2 inch long notch at both ends to accommodate vertical cell reinforcing and grout.
3. U-lintels can be field cut to the required length.
4. Bottom field added rebar to be located at the bottom of U-lintel cavity.
5. Cast-in-place concrete may be provided in composite U-lintel in lieu of concrete masonry units.
6. The exterior surface of U-lintels installed in exterior concrete masonry walls shall have a coating of stucco applied in accordance with ASTM C-926 or other approved coating.
7. Concrete masonry units used in composite U-Lintel shall be laid in a running bond.
8. Shore composite lintels as required.

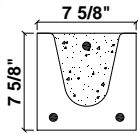
COMPOSITE U-LINTEL MATERIALS

- Grout per ASTM C476 $f'g = 3000$ psi w/maximum 3/8 inch aggregate and 8 to 11 inch slump.
- Rebar per ASTM A615 Grade 60 or Grade 40.
- Concrete masonry units (CMU) per ASTM C90 with minimum net area compressive strength = 1900 psi.
- Mortar per ASTM C270 Type M or S.

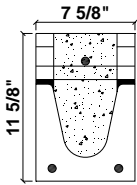
8" COMPOSITE U-LINTEL TYPES



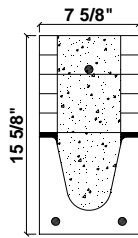
8U8



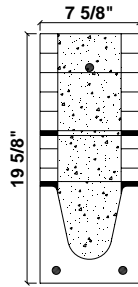
8F8-0B/1T



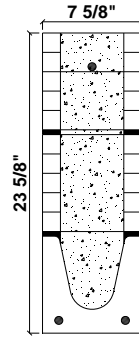
8F12-0B/1T



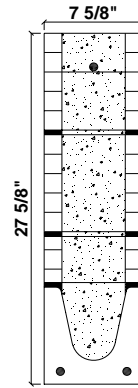
8F16-0B/1T



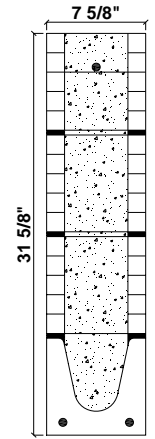
8F20-0B/1T



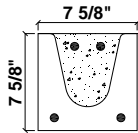
8F24-0B/1T



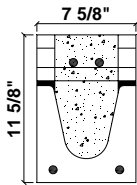
8F28-0B/1T



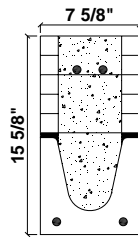
8F32-0B/1T



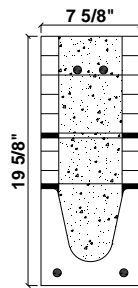
8F8-0B/2T



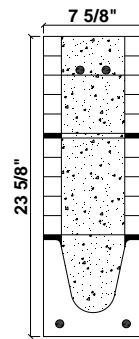
8F12-0B/2T



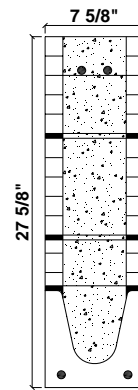
8F16-0B/2T



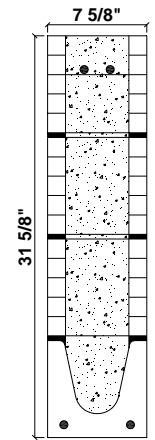
8F20-0B/2T



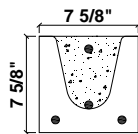
8F24-0B/2T



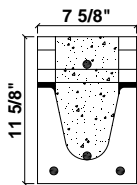
8F28-0B/2T



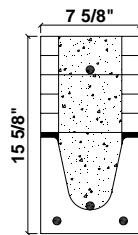
8F32-0B/2T



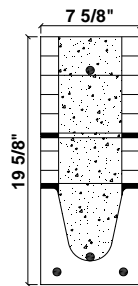
8F8-1B/1T



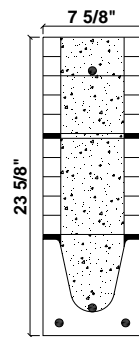
8F12-1B/1T



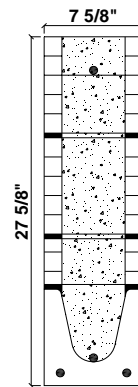
8F16-1B/1T



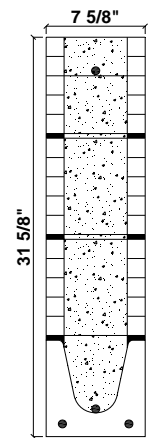
8F20-1B/1T



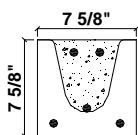
8F24-1B/1T



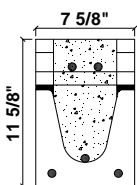
8F28-1B/1T



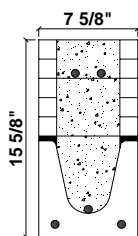
8F32-1B/1T



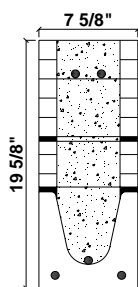
8F8-1B/2T



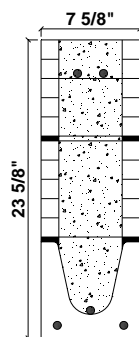
8F12-1B/2T



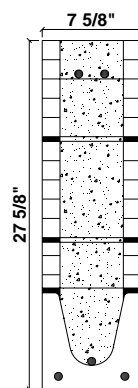
8F16-1B/2T



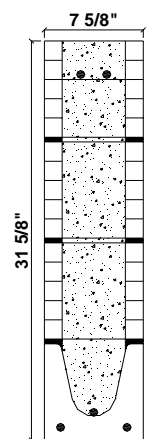
8F20-1B/2T



8F24-1B/2T

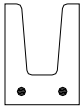


8F28-1B/2T

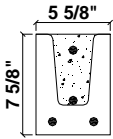


8F32-1B/2T

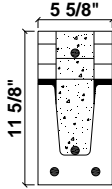
6" COMPOSITE U-LINTEL TYPES



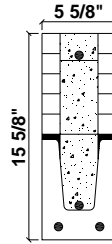
6U8



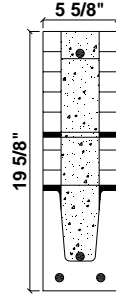
6F8-1B/1T



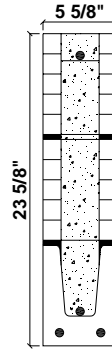
6F12-1B/1T



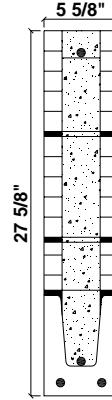
6F16-1B/1T



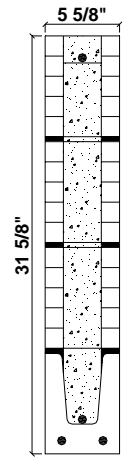
6F20-1B/1T



6F24-1B/1T



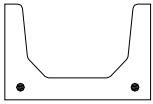
6F28-1B/1T



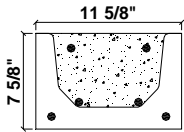
6F32-1B/1T



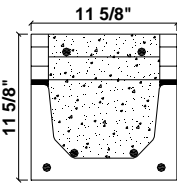
12" COMPOSITE U-LINTEL TYPES



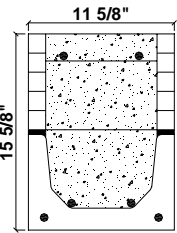
12U8



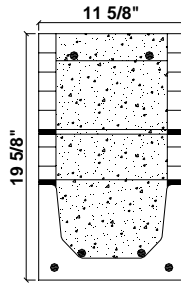
12F8-2B/2T



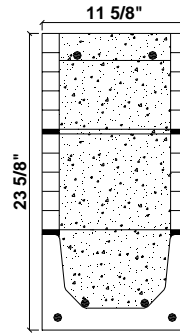
12F12-2B/2T



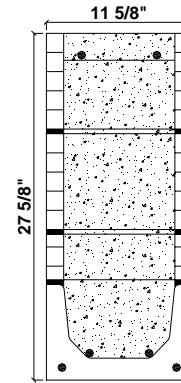
12F16-2B/2T



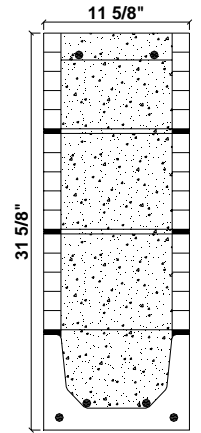
12F20-2B/2T



12F24-2B/2T



12F28-2B/2T

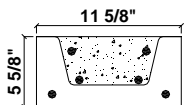


12F32-2B/2T

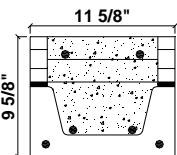
12" RECESS COMPOSITE U-LINTEL TYPES



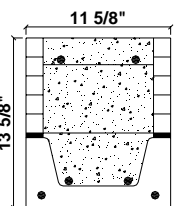
12RU6



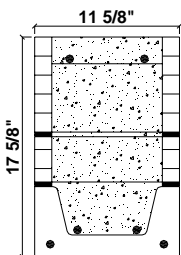
12RF6-2B/2T



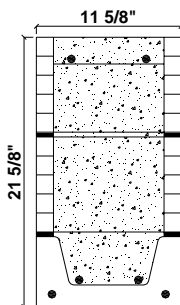
12RF10-2B/2T



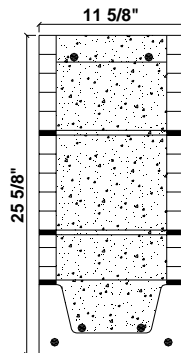
12RF14-2B/2T



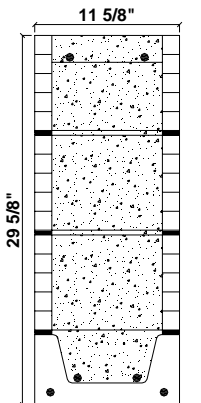
12RF18-2B/2T



12RF22-2B/2T



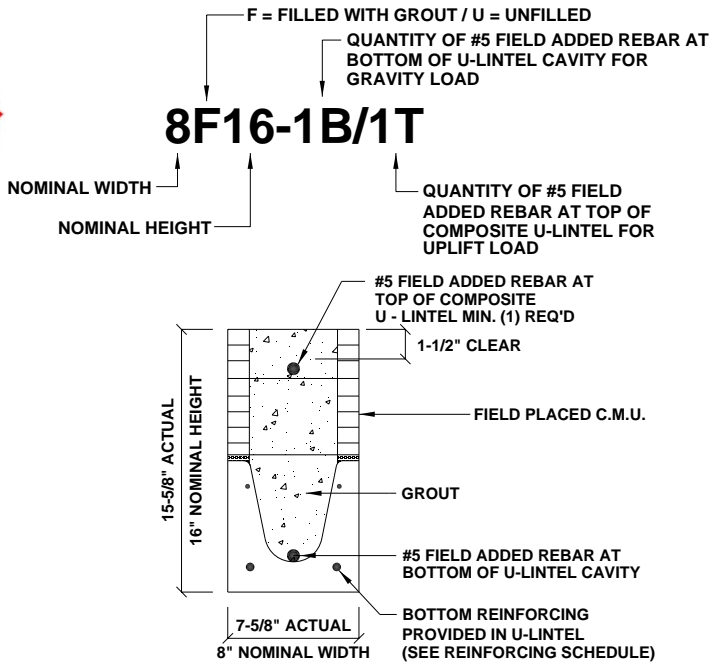
12RF26-2B/2T



12RF30-2B/2T

HOW TO READ SAFE LOAD TABLES

TYPE DESIGNATION



For a 5'-10" overall length U-lintel Type 8F16-1B/1T:
 Safe superimposed gravity load = 4360 PLF
 Safe superimposed uplift load = 2093 PLF
 Safe superimposed lateral load = 339 PLF

CAST-CRETE CORPORATION		GRAVITY			
OVERALL LINTEL LENGTH	TYPE OF LINTEL	8U8	8F8-0B	8F12-0B	8F16-0B
			8F8-1B	8F12-1B	8F16-1B
2'-8" TO 3'-6"	PRECAST	2231	3069	3719	5163
			3069	4605	6113
3'-7" TO 4'-0"	PRECAST	1966	2561	2751	3820
			2693	4605	6113
4'-1" TO 4'-6"	PRECAST	1599	1969	2110	2931
			2189	4375	6113
4'-7" TO 5'-4"	PRECAST	1217	1349	1438	1999
			1663	3090	5365
5'-5" TO 5'-10"	PRECAST	1062	1105	1173	1631
			1451	2622	4360
5'-11" TO 6'-6"	PRECAST	908	1238	2177	3480
			1238	2177	3480

CAST-CRETE CORPORATION		UPLIFT			LATERAL		
OVERALL LINTEL LENGTH	TYPE OF LINTEL	8F8-1T	8F12-1T	8F16-1T	8U8	8F8	RCMU
		8F8-2T	8F12-2T	8F16-2T			
2'-8" TO 3'-6"	PRECAST	1569	2524	3547	1025	1024	1830
		1569	2524	3547			
3'-7" TO 4'-0"	PRECAST	1363	2192	3079	765	763	1365
		1363	2192	3079			
4'-1" TO 4'-6"	PRECAST	1207	1904	2724	592	591	1057
		1207	1904	2724			
4'-7" TO 5'-4"	PRECAST	1016	1632	2290	411	411	734
		1016	1632	2290			
5'-5" TO 5'-10"	PRECAST	909	1492	2093	340	339	607
		929	1492	2093			
5'-11" TO 6'-6"	PRECAST	835 ⁽¹⁵⁾	1340	1880	507	721	483
		835	1340	1880			

SAFE LOAD TABLE NOTES

- All values based on minimum 4 inch nominal bearing. Exception: Safe loads for unfilled U-lintels must be reduced by 20% if bearing length is less than 6 1/2 inches.
- N.R. = Not Rated.
- Safe loads are superimposed allowable loads.
- One #7 rebar may be substituted for two #5 rebar in 8 inch U-lintels only.
- The designer may evaluate concentrated loads from the safe load tables by calculating the maximum resisting moment and shear at d-away from the face of support.
- For composite U-lintel heights not shown, use safe load from the next lower height.
- All safe loads in units of pounds per linear foot.
- All safe loads based on simply supported span.
- The number in the parenthesis indicates the percent reduction for grade 40 field added rebar. Example: 7'-6" U-lintel Type 8F32-1B safe gravity load = 6427⁽¹⁵⁾. Calculate the 15% reduction:

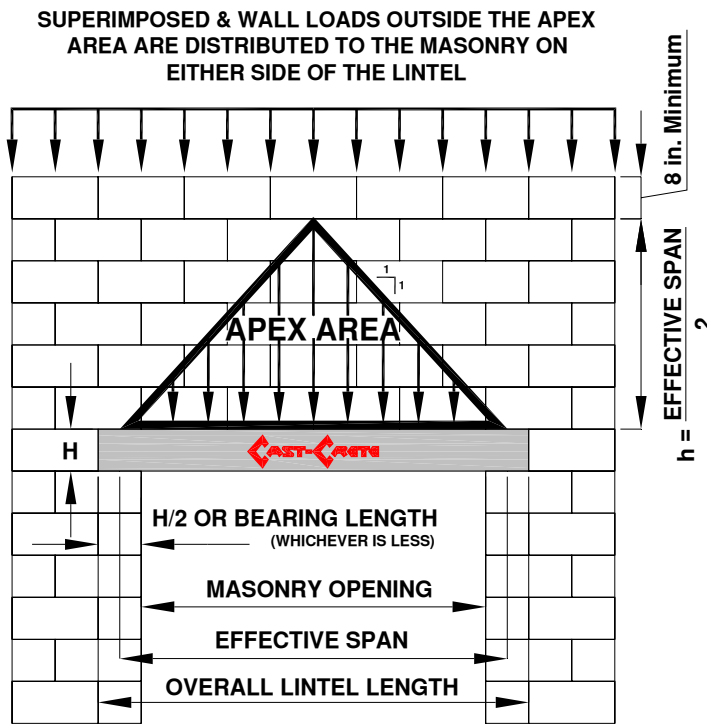
$$6472 (.85) = 5501\text{plf.}$$
- Safe load ratings based on rational design analysis per ACI 318 and ACI 530.
- U-lintels loaded simultaneously with vertical (gravity or uplift) and horizontal (lateral) loads should be checked for the combined loading with the following equation:

$$\frac{\text{Applied vertical load}}{\text{Safe vertical load}} + \frac{\text{Applied horizontal load}}{\text{Safe horizontal load}} \leq 1.0$$

ARCHING ACTION & TRIANGULAR LOAD

Arching action results in a triangular load with the apex located at midspan. When using the Safe Load Tables the triangular load may be converted into an equivalent uniform load by the equation:

$$\text{Equivalent Uniform Load} = .33 \times \text{Unit Weight of Wall} \times \text{Effective Span}$$

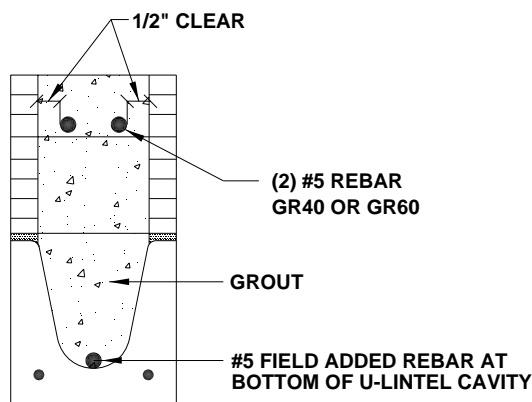


Arching action can be assumed if the following conditions are met:

- Masonry wall laid in running bond
- Sufficient wall height above the composite U-lintel height (H) to permit formation of a triangle with a height $h = 1/2 \times$ effective span
- A minimum 8 in. of wall height above the apex area
- Control joints are not adjacent to the lintel
- Sufficient masonry on each side of the opening to resist lateral thrust from the arching action

RCMU (Reinforced Concrete Masonry Unit)

The safe lateral load capacity is conservatively based on the 8 inch high precast U-lintel section only. If needed in high wind areas, additional lateral capacity can be obtained by providing Reinforced Concrete Masonry Units (RCMU) with two #5 rebar in the course(s) above the 8 inch high precast U-lintel



For a 5'-10" overall length U-lintel Type 8F16-1B/2T:

$$8F8 = 339 \text{ PLF}$$

$$\text{RCMU} = 607 \text{ PLF}$$


Total safe superimposed lateral load = 946 PLF

		UPLIFT			LATERAL		
		8F8-1T	8F12-1T	8F16-1T	8U8	8F8	RCMU
OVERALL LINTEL LENGTH	TYPE OF LINTEL	8F8-2T	8F12-2T	8F16-2T			
2'-8" TO 3'-6"	PRECAST	1569	2524	3547	1025	1024	1830
3'-7" TO 4'-0"	PRECAST	1363	2192	3079	765	763	1365
4'-1" TO 4'-6"	PRECAST	1207	1904	2724	592	591	1057
4'-7" TO 5'-4"	PRECAST	1016	1632	2290	411	411	734
5'-5" TO 5'-10"	PRECAST	909	1492	2093	340	339	607
5'-11" TO 6'-6"	PRECAST	835 ⁽¹⁵⁾	1340	1880	507	721	483
		835	1340	1880			



8" PRECAST U-LINTELS SAFE LOADS (LBS/FT)



 TYPE OF LINTEL		GRAVITY						
		8U8	8F8-0B	8F12-0B	8F16-0B	8F20-0B	8F24-0B	8F28-0B
OVERALL LINTEL LENGTH		8F8-1B	8F12-1B	8F16-1B	8F20-1B	8F24-1B	8F28-1B	8F32-1B
2'-8" TO 3'-6" PRECAST	2231	3069	3719	5163	6607	8054	9502	10951
		3069	4605	6113	7547	8974	10394	11809
3'-7" TO 4'-0" PRECAST	1966	2561	2751	3820	4890	5961	7034	8107
		2693	4605	6113	7547	8974	10394	11809
4'-1" TO 4'-6" PRECAST	1599	1969	2110	2931	3753	4576	5400	6224
		2189	4375	6113	7547 ⁽⁷⁾	8672	10294	11809
4'-7" TO 5'-4" PRECAST	1217	1349	1438	1999	2560	3123	3686	4249
		1663	3090	5365	7547 ⁽³⁶⁾	7342 ⁽¹⁹⁾	8733 ⁽¹⁹⁾	10127 ⁽¹⁹⁾
5'-5" TO 5'-10" PRECAST	1062	1105	1173	1631	2090	2549	3009	3470
		1451	2622	4360	7168 ⁽⁴⁵⁾	6036 ⁽¹⁹⁾	7181 ⁽¹⁹⁾	8328 ⁽²⁰⁾
5'-11" TO 6'-6" PRECAST	908	1238	2177	3480	3031	3707	4383	5061
		1238	2177	3480	5381	8360	10394 ⁽³⁷⁾	8825 ⁽¹⁴⁾
6'-7" TO 7'-6" PRECAST	743	1011	1729	2632	2205	2698	3191	3685
		1011	1729	2661	3898	5681	8467 ⁽⁴⁴⁾	6472 ⁽¹⁵⁾
7'-7" TO 9'-4" PRECAST	554	699	1160	1625	2564	3486	2818	3302
		752	1245	1843	2564	3486	4705 ⁽³⁷⁾	6390 ⁽⁴⁷⁾
9'-5" TO 10'-6" PRECAST	475	535	890	1247	2093	2777	2163	2536
		643	1052	1533	2093	2781	3643 ⁽³⁸⁾	4754 ⁽⁴⁵⁾
10'-7" TO 11'-4" PRECAST	362	582	945	1366	1846	2423	3127	4006
		582	945	1366	1846	2423	3127	4006
11'-5" TO 12'-0" PRECAST	337	540	873	1254	1684	2193	2805	3552
		540	873	1254	1684	2193	2805	3552
12'-1" TO 13'-4" PRECAST	296	471	755	1075	1428	1838	2316	2883
		471	755	1075	1428	1838	2316	2883
13'-5" TO 14'-0" PRECAST	279	424	706	1002	1326	1697	2127	2630
		442	706	1002	1326	1697	2127	2630
14'-1" TO 14'-8" PRESTRESSED	NR	NR	NR	NR	NR	NR	NR	NR
		458	783	1370	1902	2245	2517	2712
14'-9" TO 15'-4" PRESTRESSED	NR	NR	NR	NR	NR	NR	NR	NR
		412	710	1250	1733	2058	2320	2513
15'-5" TO 17'-4" PRESTRESSED	NR	NR	NR	NR	NR	NR	NR	NR
		300	548	950	1326	1609	1849	2047
17'-5" TO 19'-4" PRESTRESSED	NR	NR	NR	NR	NR	NR	NR	NR
		235	420	750	1037	1282	1515	1716
19'-5" TO 21'-4" PRESTRESSED	NR	NR	NR	NR	NR	NR	NR	NR
		180	340	598	845	1114	1359	1468
21'-5" TO 22'-0" PRESTRESSED	NR	NR	NR	NR	NR	NR	NR	NR
		165	315	550	784	1047	1285	1399
22'-1" TO 24'-0" PRESTRESSED	NR	NR	NR	NR	NR	NR	NR	NR
		129	250	450	654	884	1092	1222

SAFE LOADS (LBS/FT) **8" PRECAST U-LINTELS**



TYPE OF LINTEL		UPLIFT						LATERAL			
											8F8-1T
OVERALL LINTEL LENGTH		8F8-2T	8F12-2T	8F16-2T	8F20-2T	8F24-2T	8F28-2T	8F32-2T			
		2'-8" TO 3'-6"	PRECAST	1569	2524	3547	4569	5591	6613	7636	1025
3'-7" TO 4'-0"	PRECAST	1363	2192	3079	3966	4853	5740	6627	765	763	1365
4'-1" TO 4'-6"	PRECAST	1207	1940	2724	3508	4292	5077	5861	592	591	1057
4'-7" TO 5'-4"	PRECAST	1016	1632	2290	2949	3607	4265	4924	411	411	734
5'-5" TO 5'-10"	PRECAST	909	1492	2093	2694	3295	3897	4498	340	339	607
5'-11" TO 6'-6"	PRECAST	835 ⁽¹²⁾	1340	1880	2419	2959	3498	4038	507	721	483
6'-7" TO 7'-6"	PRECAST	727 ⁽²³⁾	1021	1634 ⁽¹²⁾	2102 ⁽¹¹⁾	2571 ⁽¹⁰⁾	3039 ⁽¹⁰⁾	3508 ⁽⁹⁾	424	534	357
7'-7" TO 9'-4"	PRECAST	591	680	1133 ⁽¹⁵⁾	1471 ⁽¹⁵⁾	1811 ⁽¹⁵⁾	2152 ⁽¹⁶⁾	2494 ⁽¹⁵⁾	326	512	227
9'-5" TO 10'-6"	PRECAST	530	552	914 ⁽¹⁵⁾	1185 ⁽¹⁵⁾	1458 ⁽¹⁵⁾	1732 ⁽¹⁵⁾	2007 ⁽¹⁵⁾	284	401	178
10'-7" TO 11'-4"	PRECAST	474	485	798 ⁽¹⁵⁾	1034 ⁽¹⁵⁾	1272 ⁽¹⁵⁾	1510 ⁽¹⁵⁾	1749 ⁽¹⁵⁾	260	452	152
11'-5" TO 12'-0"	PRECAST	470 ⁽⁹⁾	441	723 ⁽¹⁴⁾	936 ⁽¹⁴⁾	1151 ⁽¹⁵⁾	1366 ⁽¹⁵⁾	1582 ⁽¹⁵⁾	244	402	135
12'-1" TO 13'-4"	PRECAST	418 ⁽¹⁵⁾	373	606 ⁽¹⁴⁾	783 ⁽¹⁴⁾	962 ⁽¹⁴⁾	1141 ⁽¹⁴⁾	1321 ⁽¹⁴⁾	217	324	109
13'-5" TO 14'-0"	PRECAST	384 ⁽¹⁵⁾	346	559 ⁽¹⁴⁾	723 ⁽¹⁴⁾	887 ⁽¹⁴⁾	1052 ⁽¹⁴⁾	1218 ⁽¹⁴⁾	205	293	98
14'-1" TO 14'-8"	PRESTRESSED	239	323	519 ⁽¹³⁾	671 ⁽¹³⁾	823 ⁽¹³⁾	976 ⁽¹⁴⁾	1129 ⁽¹⁴⁾	NR	284	89
14'-9" TO 15'-4"	PRESTRESSED	224	302	485 ⁽¹³⁾	626 ⁽¹³⁾	767 ⁽¹³⁾	909 ⁽¹³⁾	1052 ⁽¹³⁾	NR	259	82
15'-5" TO 17'-4"	PRESTRESSED	187	255	404 ⁽¹²⁾	520 ⁽¹²⁾	637 ⁽¹²⁾	754 ⁽¹²⁾	872 ⁽¹²⁾	NR	194	63
17'-5" TO 19'-4"	PRESTRESSED	162	222	347 ⁽¹¹⁾	446 ⁽¹¹⁾	546 ⁽¹²⁾	646 ⁽¹²⁾	746 ⁽¹²⁾	NR	148	51
19'-5" TO 21'-4"	PRESTRESSED	142	198	306 ⁽¹¹⁾	393 ⁽¹¹⁾	480 ⁽¹¹⁾	567 ⁽¹¹⁾	654 ⁽¹¹⁾	NR	125	42
21'-5" TO 22'-0"	PRESTRESSED	137	192	295 ⁽¹⁰⁾	378 ⁽¹¹⁾	461 ⁽¹⁰⁾	545 ⁽¹¹⁾	629 ⁽¹¹⁾	NR	116	39
22'-1" TO 24'-0"	PRESTRESSED	124	175	267 ⁽¹⁰⁾	341 ⁽¹⁰⁾	416 ⁽¹⁰⁾	491 ⁽¹⁰⁾	566 ⁽¹⁰⁾	NR	91	33

8" PRECAST W/2" RECESS DOOR U-LINTELS SAFE LOADS (LBS/FT)



GRAVITY									
OVERALL LINTEL LENGTH	TYPE OF LINTEL *	8RU6	8RF6-0B	8RF10-0B	8RF14-0B	8RF18-0B	8RF22-0B	8RF26-0B	8RF30-0B
			8RF6-1B	8RF10-1B	8RF14-1B	8RF18-1B	8RF22-1B	8RF26-1B	8RF30-1B
3'-8" TO 4'-4"	PRECAST	1635	1749	3355	3280	4349	5421	6493	7567
			1891	3699	5206	6639	8060	9479	10893
4'-5" TO 4'-6"	PRECAST	1494	1596	3063	2992	3968	4946	5924	6904
			1756	3699	5206	6639	8060	9479	10893
4'-7" TO 5'-8"	PRECAST	866	920	1770	1716	2277	2839	3402	3966
			1167	2481	4567	6389	8060 ⁽³⁴⁾	7917 ⁽¹⁹⁾	9311 ⁽¹⁹⁾
5'-9" TO 5'-10"	PRECAST	810	859	1653	1600	2124	2649	3174	3700
			1113	2342	4242	6639 ⁽¹⁰⁾	8060 ⁽³⁹⁾	7402 ⁽¹⁹⁾	8706 ⁽¹⁹⁾
5'-11" TO 6'-8"	PRECAST	797	901	1825	3120	5048	7747	9448	7360
			901	1825	3120	5048	7915	9479	10893 ⁽³²⁾
6'-9" TO 7'-6"	PRECAST	669	755	1490	2459	3776	5743	7239	5623
			755	1490	2459	3776	5743	8998 ⁽¹⁹⁾	10893 ⁽⁴⁸⁾
7'-7" TO 9'-8"	PRECAST	411	466	999	1568	2253	3129	4091	3146
			526	999	1568	2253	3129	4150	5891 ⁽⁴⁷⁾

UPLIFT										LATERAL		
OVERALL LINTEL LENGTH	TYPE OF LINTEL *	8RF6-1T	8RF10-1T	8RF14-1T	8RF18-1T	8RF22-1T	8RF26-1T	8RF30-1T	8RU6	8RF6	RCMU	
		8RF6-2T	8RF10-2T	8RF14-2T	8RF18-2T	8RF22-2T	8RF26-2T	8RF30-2T				
3'-8" TO 4'-4"	PRECAST	905	1748	2635	3522	4409	5296	6183	758	757	1365	
		905	1748	2635	3522	4409	5296	6183				
4'-5" TO 4'-6"	PRECAST	867	1675	2525	3374	4224	5074	5924	694	693	1249	
		867	1675	2525	3374	4224	5074	5924				
4'-7" TO 5'-8"	PRECAST	675	1301	1960	2618	3277	3935	4594	408	407	734	
		675	1301	1960	2618	3277	3935	4594				
5'-9" TO 5'-10"	PRECAST	655	1262	1900	2538	3176	3815	4453	382	381	687	
		655	1262	1900	2538	3176	3815	4453				
5'-11" TO 6'-8"	PRECAST	570	1012	1651	2204	2758	3312	3865	595	788	510	
		570	1097	1651	2204	2758	3312	3865				
6'-9" TO 7'-6"	PRECAST	506	797	1462 ⁽⁸⁾	1952 ⁽⁷⁾	2442 ⁽⁶⁾	2931 ⁽⁶⁾	3257	509	674	393	
		506	967	1462	1952	2442	2931	3421				
7'-7" TO 9'-8"	PRECAST	395	491	931 ⁽¹²⁾	1301 ⁽¹⁵⁾	1640 ⁽¹⁵⁾	1980 ⁽¹⁵⁾	2322 ⁽¹⁶⁾	370	490	227	
		395	589	1135	1514	1893	2270	2652				

* Note: An "R" in the lintel Type indicates a recess lintel

SAFE LOADS (LBS/FT) 6" PRECAST U-LINTELS



GRAVITY									
OVERALL LINTEL LENGTH	TYPE OF LINTEL	6U8	6F8-1B	6F12-1B	6F16-1B	6F20-1B	6F24-1B	6F28-1B	6F32-1B
2'-8" TO 3'-6"	PRECAST	2332	2676	3892	5050	6148	7227	8297	9357
3'-7" TO 4'-0"	PRECAST	2025	2313	3892	5050	6148	7227	8297	9357
4'-1" TO 4'-6"	PRECAST	1654	1887	3633	5050	6148	7227	8297	9357
4'-7" TO 5'-10"	PRECAST	1067	1260	2198	3557	5734	7227	8297 ⁽³¹⁾	8225 ⁽¹⁹⁾
5'-11" TO 6'-6"	PRECAST	949	1078	1831	2850	4328	6737	8297	9357
6'-7" TO 7'-6"	PRECAST	779	883	1459	2188	3151	4524	6654	9357 ⁽¹¹⁾
7'-7" TO 9'-4"	PRECAST	584	660	1056	1523	2084	2795	3731	5017
9'-5" TO 10'-6"	PRECAST	503	566	895	1270	1706	2236	2898	3747
10'-7" TO 11'-4"	PRECAST	457	513	805	1133	1507	1952	2492	3163
11'-5" TO 12'-0"	PRECAST	425	477	744	1042	1377	1769	2238	2808
12'-1" TO 13'-4"	PRECAST	373	417	646	895	1170	1485	1852	2285
13'-5" TO 14'-0"	PRECAST	351	392	605	835	1087	1373	1703	2087
14'-1" TO 17'-4"	PRECAST	NR	299	455	620	794	985	1198	1437

UPLIFT								LATERAL			
OVERALL LINTEL LENGTH	TYPE OF LINTEL	6F8-1T	6F12-1T	6F16-1T	6F20-1T	6F24-1T	6F28-1T	6F32-1T	6U8	6F8	RCMU
2'-8" TO 3'-6"	PRECAST	1412	1860	2613	3366	4120	4873	5626	587	1055	587
3'-7" TO 4'-0"	PRECAST	1225	1615	2269	2923	3576	4230	4883	487	787	438
4'-1" TO 4'-6"	PRECAST	1083	1430	2008	2585	3163	3741	4319	416	609	339
4'-7" TO 5'-10"	PRECAST	831	1100	1543	1987	2430	2874	3317	300	350	195
5'-11" TO 6'-6"	PRECAST	723	988	1385	1783	2181	2578	2976	263	496	155
6'-7" TO 7'-6"	PRECAST	648 ⁽¹⁶⁾	850	1204	1550	1895	2240	2586	222	367	115
7'-7" TO 9'-4"	PRECAST	575	564	967 ⁽⁵⁾	1257 ⁽⁵⁾	1537 ⁽⁵⁾	1816 ⁽⁴⁾	2096 ⁽³⁾	173	352	73
9'-5" TO 10'-6"	PRECAST	514	456	776 ⁽⁵⁾	1125 ⁽¹⁵⁾	1375 ⁽¹⁴⁾	1625 ⁽¹⁴⁾	1875 ⁽¹³⁾	151	276	57
10'-7" TO 11'-4"	PRECAST	474	399	676 ⁽⁵⁾	983 ⁽¹⁵⁾	1210 ⁽¹⁵⁾	1439 ⁽¹⁵⁾	1669 ⁽¹⁵⁾	139	311	49
11'-5" TO 12'-0"	PRECAST	454 ⁽⁷⁾	362	611 ⁽⁵⁾	885 ⁽¹⁵⁾	1090 ⁽¹⁵⁾	1296 ⁽¹⁵⁾	1502 ⁽¹⁵⁾	131	277	43
12'-1" TO 13'-4"	PRECAST	402 ⁽¹³⁾	305	509 ⁽⁵⁾	735 ⁽¹⁵⁾	904 ⁽¹⁵⁾	1074 ⁽¹⁵⁾	1245 ⁽¹⁵⁾	117	223	35
13'-5" TO 14'-0"	PRECAST	368 ⁽¹³⁾	282	469 ⁽⁵⁾	675 ⁽¹⁴⁾	830 ⁽¹⁴⁾	986 ⁽¹⁵⁾	1143 ⁽¹⁵⁾	111	202	32
14'-1" TO 17'-4"	PRECAST	253 ⁽¹²⁾	205	334 ⁽⁴⁾	475 ⁽¹³⁾	583 ⁽¹³⁾	692 ⁽¹³⁾	801 ⁽¹³⁾	NR	130	20

12" PRECAST U-LINTELS SAFE LOADS (LBS/FT)



			GRAVITY						
OVERALL LINTEL LENGTH	TYPE OF LINTEL	12U8	12F8-2B	12F12-2B	12F16-2B	12F20-2B	12F24-2B	12F28-2B	12F32-2B
2'-8" TO 3'-6"	PRECAST	3428	5000	5838	7619	9352	11060	12755	14438
3'-7" TO 4'-0"	PRECAST	2923	4232	5838	7619	9352	11060	12755	14438
4'-1" TO 4'-6"	PRECAST	2396	3464	5304	7619	9352	11060	12755	14438
4'-7" TO 5'-10"	PRECAST	1612	2320	3218	5234	8487	11060	12755	14438 ⁽¹¹⁾
5'-11" TO 6'-6"	PRECAST	1383	1986	2679	4196	6421	10032	12755	14438 ⁽³⁰⁾
6'-7" TO 7'-6"	PRECAST	1138	1628	2131	3218	4676	6756	9763	13528 ⁽⁴⁶⁾
7'-7" TO 9'-4"	PRECAST	795	1216	1535	2230	3083	4167	5593	7552 ⁽⁴⁰⁾
9'-5" TO 10'-6"	PRECAST	614	1043	1295	1853	2516	3323	4334	5632 ⁽³⁸⁾
10'-7" TO 11'-4"	PRECAST	518	945	1162	1649	2216	2893	3719	4746 ⁽³⁸⁾
11'-5" TO 12'-0"	PRECAST	456	878	1073	1513	2020	2617	3333	4206 ⁽³⁹⁾
12'-1" TO 13'-4"	PRECAST	359	767 ⁽⁸⁾	926	1294	1709	2188	2743	3409 ⁽⁴²⁾
13'-5" TO 14'-0"	PRECAST	321	720 ⁽¹²⁾	865	1204	1584	2017	2451	3106 ⁽⁴³⁾
14'-1" TO 17'-4"	PRECAST	NR	451 ⁽¹⁷⁾	631 ⁽¹⁸⁾	881 ⁽¹⁵⁾	1141 ⁽¹⁴⁾	1428 ⁽¹⁴⁾	1750 ⁽¹⁶⁾	2102 ⁽⁵²⁾
17'-5" TO 19'-4"	PRECAST	NR	343 ⁽¹⁷⁾	477 ⁽¹⁹⁾	700 ⁽¹⁹⁾	925 ⁽²⁰⁾	1152 ⁽²⁰⁾	1380 ⁽²⁰⁾	1609 ⁽⁵⁴⁾

			UPLIFT					LATERAL			
OVERALL LINTEL LENGTH	TYPE OF LINTEL	12F8-2T	12F12-2T	12F16-2T	12F20-2T	12F24-2T	12F28-2T	12F32-2T	12U8	12F8	RCMU
2'-8" TO 3'-6"	PRECAST	2752	3849	5408	6967	8526	10084	11643	1295	4841	3707
3'-7" TO 4'-0"	PRECAST	2389	3343	4696	6048	7401	8753	10106	1295	4841	3412
4'-1" TO 4'-6"	PRECAST	2113	2959	4154	5350	6546	7741	8937	1049	3922	2642
4'-7" TO 5'-10"	PRECAST	1623	2275	3192	4109	5026	5943	6860	681	2547	1516
5'-11" TO 6'-6"	PRECAST	1444	2044	2867	3689	4512	5335	6158	579	2167	1206
6'-7" TO 7'-6"	PRECAST	1267 ⁽¹⁴⁾	1743	2492	3207	3921	4636	5350	474	1771	893
7'-7" TO 9'-4"	PRECAST	1028 ⁽⁹⁾	1156	1980 ⁽⁷⁾	2600 ⁽⁸⁾	3179 ⁽⁷⁾	3757 ⁽⁷⁾	4335 ⁽⁶⁾	355	1326	566
9'-5" TO 10'-6"	PRECAST	920 ⁽¹⁶⁾	935	1591 ⁽⁷⁾	2276 ⁽¹⁵⁾	2804 ⁽¹⁵⁾	3335 ⁽¹⁶⁾	3867 ⁽¹⁶⁾	306	1143	444
10'-7" TO 11'-4"	PRECAST	858 ⁽²⁴⁾	819	1386 ⁽⁷⁾	1978 ⁽¹⁵⁾	2436 ⁽¹⁵⁾	2896 ⁽¹⁵⁾	3357 ⁽¹⁵⁾	278	1041	379
11'-5" TO 12'-0"	PRECAST	814 ⁽²⁷⁾	744	1253 ⁽⁷⁾	1784 ⁽¹⁵⁾	2196 ⁽¹⁵⁾	2610 ⁽¹⁵⁾	3025 ⁽¹⁵⁾	260	971	337
12'-1" TO 13'-4"	PRECAST	678 ⁽²⁷⁾	626	1045 ⁽⁶⁾	1482 ⁽¹⁵⁾	1822 ⁽¹⁵⁾	2165 ⁽¹⁵⁾	2508 ⁽¹⁵⁾	229	857	271
13'-5" TO 14'-0"	PRECAST	622 ⁽²⁷⁾	579	963 ⁽⁶⁾	1362 ⁽¹⁴⁾	1675 ⁽¹⁴⁾	1989 ⁽¹⁴⁾	2304 ⁽¹⁴⁾	216	809	246
14'-1" TO 17'-4"	PRECAST	434 ⁽²⁵⁾	423	687 ⁽⁶⁾	962 ⁽¹³⁾	1180 ⁽¹³⁾	1400 ⁽¹³⁾	1619 ⁽¹³⁾	NR	633 ⁽¹²⁾	159
17'-5" TO 19'-4"	PRECAST	366 ⁽²³⁾	366	587 ⁽⁵⁾	816 ⁽¹²⁾	1000 ⁽¹²⁾	1185 ⁽¹²⁾	1370 ⁽¹²⁾	NR	534 ⁽¹⁷⁾	127

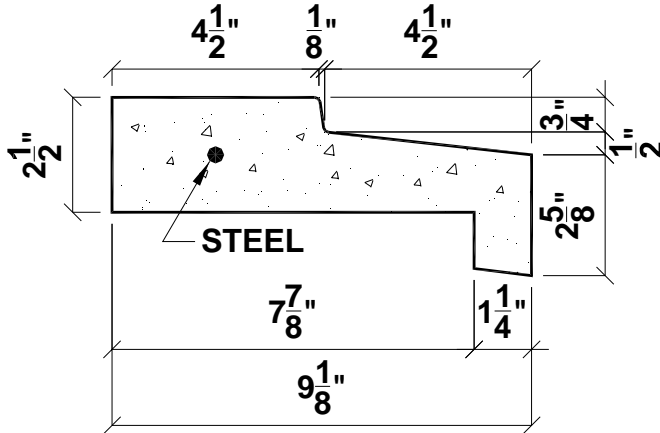
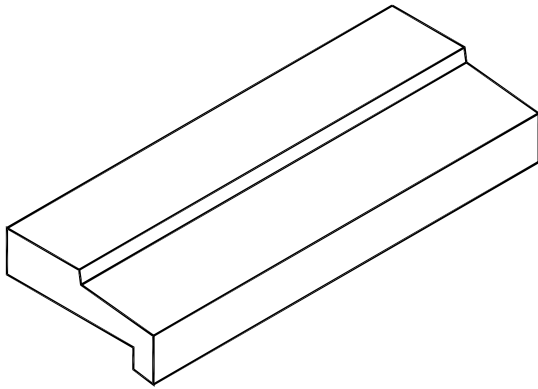


		GRAVITY								
OVERALL LINTEL LENGTH	TYPE OF LINTEL *	12RU6	12RF6-2B	12RF10-2B	12RF14-2B	12RF18-2B	12RF22-2B	12RF26-2B	12RF30-2B	
3'-8" TO 4'-4"	PRECAST	2538	2942	5468	7584	9640	11669	13679	15679	
4'-5" TO 4'-6"	PRECAST	2319	2740	5468	7584	9640	11669	13679	15679	
4'-7" TO 5'-8"	PRECAST	1347	1841	3555	6395	9640	11669	13679	15679 ⁽²⁴⁾	
5'-9" TO 5'-10"	PRECAST	1259	1758	3361	5954	9640	11669	13679	15679 ⁽²⁹⁾	
5'-11" TO 6'-8"	PRECAST	924	1430	2633	4415	7075	10353 ⁽¹⁶⁾	12573 ⁽¹⁶⁾	14800 ⁽⁴⁵⁾	
6'-9" TO 7'-6"	PRECAST	703	1203	2157	3494	5329	7922 ⁽¹⁶⁾	9623 ⁽¹⁷⁾	11329 ⁽⁴⁶⁾	
7'-7" TO 9'-8"	PRECAST	389	843	1451 ⁽⁵⁾	2239	3203 ⁽⁸⁾	4427 ⁽¹⁶⁾	5417 ⁽¹⁷⁾	6380 ⁽⁴⁷⁾	

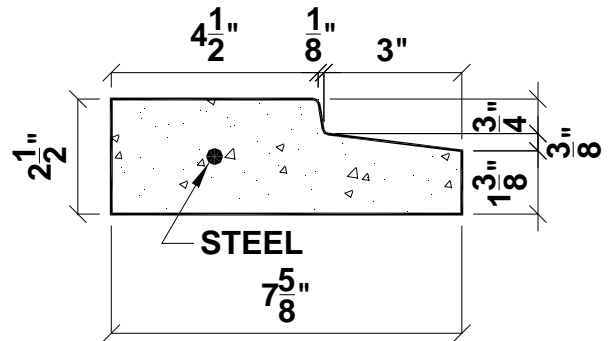
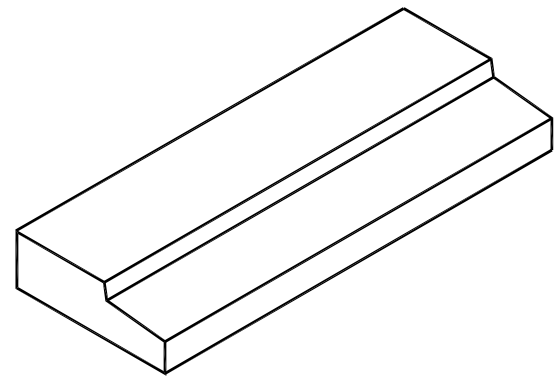
		UPLIFT						LATERAL			
OVERALL LINTEL LENGTH	TYPE OF LINTEL *	12RF6-2T	12RF10-2T	12RF14-2T	12RF18-2T	12RF22-2T	12RF26-2T	12RF30-2T	12RU6	12RF6	RCMU
3'-8" TO 4'-4"	PRECAST	1626	2668	4022	5377	6731	8086	9440	1295	3692	3412
4'-5" TO 4'-6"	PRECAST	1558	2557	3855	5152	6450	7748	9045	1213	3458	3122
4'-7" TO 5'-8"	PRECAST	1210	1987	2994	4000	5006	6012	7018	784	2236	1835
5'-9" TO 5'-10"	PRECAST	1173	1927	2902	3877	4853	5828	6803	747	2129	1718
5'-11" TO 6'-8"	PRECAST	1020 ⁽⁴⁾	1676	2522	3368	4215	5061	5908	602	1716	1274
6'-9" TO 7'-6"	PRECAST	904 ⁽¹⁵⁾	1319	2234	2983	3732	4482	5231	504	1438	982
7'-7" TO 9'-8"	PRECAST	703 ⁽¹⁴⁾	810	1550	2316 ⁽⁸⁾	2897 ⁽⁸⁾	3477 ⁽⁷⁾	4057 ⁽⁸⁾	355	1011	566

* Note: An "R" in the lintel Type indicates a recess lintel

WIND RESISTANT PRECAST SILLS



WIND RESISTANT FACE

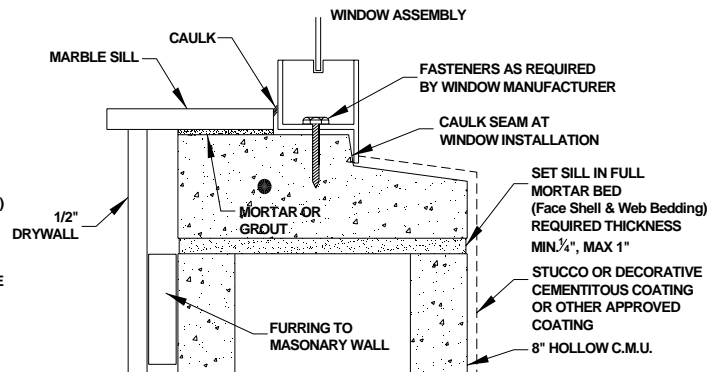
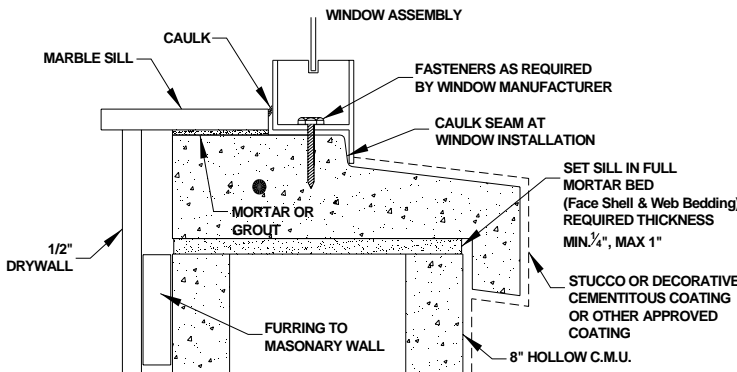


WIND RESISTANT FLUSH

OVERALL LENGTH

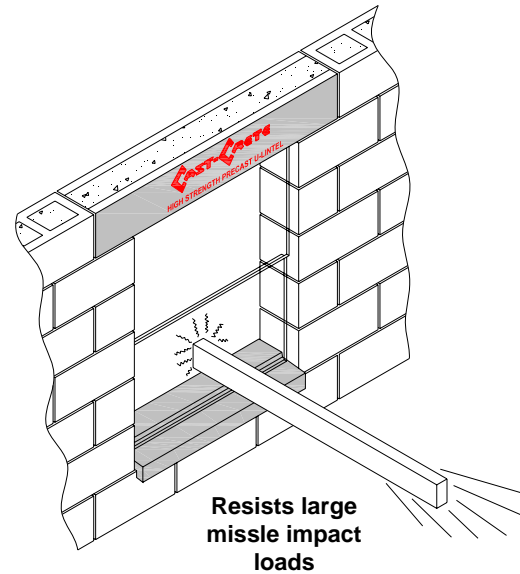
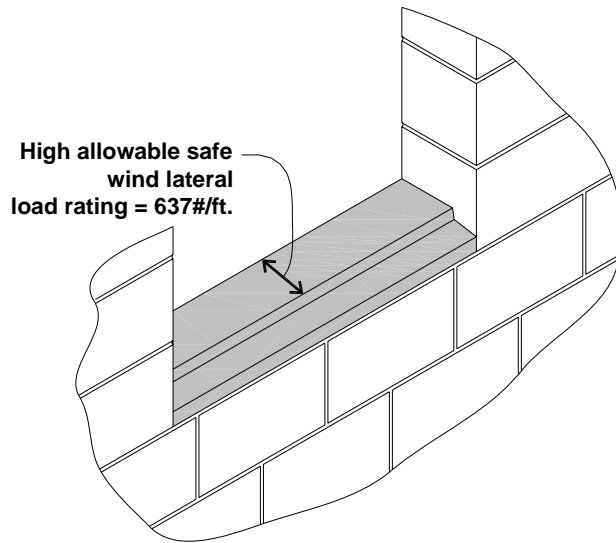
OVERALL LENGTH	STEEL
1'-7"	1 - #3 rebar
2'-0"	1 - #3 rebar
2'-2 1/2"	1 - #3 rebar
3'-0"	1 - #3 rebar
3'-1"	1 - #3 rebar
4'-0"	1 - #3 rebar
4'-5"	1 - #3 rebar
5'-0"	1 - #3 rebar
6'-0"	1 - #3 rebar
6'-2"	1 - #3 rebar

Rebar: ASTM A615 Grade 60
Concrete Strength: $f_c=3000$ psi
Finish: Grey Block
Average Self Weight for Wind Resistant Face Sill: 18 plf
Average Self Weight for Wind Resistant Flush Sill: 16 plf



TYPICAL INSTALLATION

ENGINEERED FOR WIND LOADS AND IMPACT TESTED



DURABLE

- Machine-made, ensuring uniform dimensions.
- 3000psi concrete exceeds minimum block strength.
- Water dam and sloped face direct water away from window assembly helping to prevent water intrusion.

FINISH

- Our grey block finish bonds better to mortar, stucco and paint than a smooth concrete finish.

ECONOMICAL

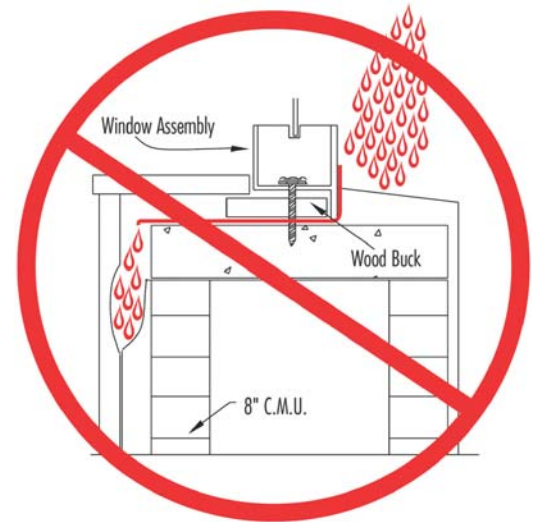
- Eliminates costly cast-in-place sills.
- Eliminates the need for a lower window buck.
- 3" setback of window provides deflection clearance for storm shutters.

WIND RATED

- Safe allowable wind lateral load of 637#/ft based on ACI 530 when set in a full bed of type M or S mortar on 8" hollow C.M.U.

IMPACT TESTED

- Resists impact loads from large missile (9 pound missile @ 50 feet per second) per TAS 201, SSTD 12 and ASTM E1886/E1996. All test performed by a Miami-Dade accredited laboratory.



DO NOT USE

Cast in place sills with a wood buck do not have a water stop to help prevent water intrusion into the building. Water intrusion is the #1 cause of mold growth.

HiDri® PRECAST SILL

DURABLE

- Machine-made, ensuring uniform dimensions.
- 3000psi concrete exceeds minimum block strength.
- Water dam and sloped face direct water away from window assembly helping to prevent water intrusion.
- Additional water dam @ interior side of window assembly for added protection against water

FINISH

- Our grey block finish bonds better to mortar, stucco and paint than a smooth concrete finish.

ECONOMICAL

- Eliminates costly cast-in-place sills.
- Eliminates the need for a lower window buck.
- 3" setback of window provides deflection clearance for storm shutters.

WIND RATED

- Safe allowable wind lateral load of 637#/ft based on ACI 530 when set in a full bed of type M or S mortar on 8" hollow C.M.U.

IMPACT TESTED

- Resists impact loads from large missile (9 pound missile @ 50 feet per second) per TAS 201, SSTD 12 and ASTM E1886/E1996. All test performed by a Miami-Dade accredited laboratory.

Rebar: ASTM A615 Grade 60

Concrete Strength: 3000 psi

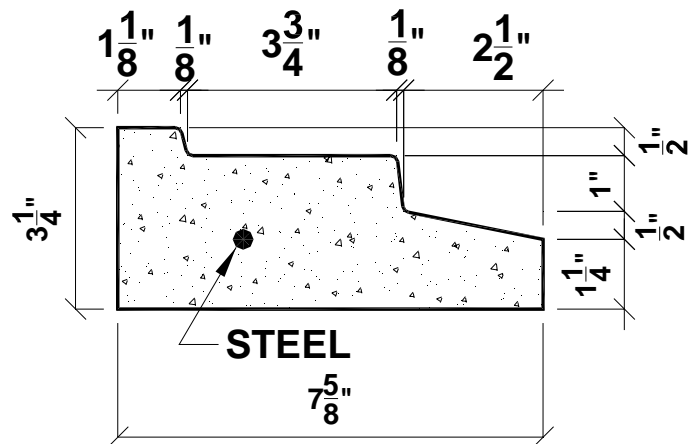
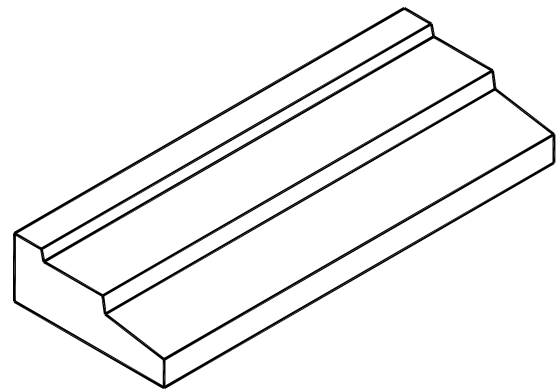
Average Self Weight: 17 plf

Finish: Grey Block

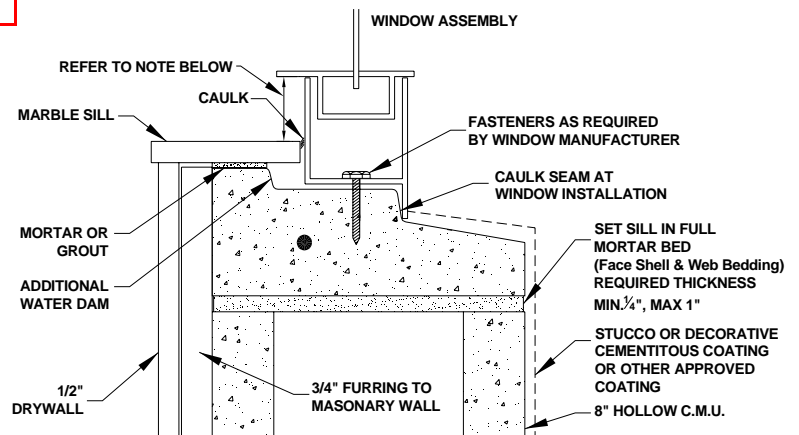
OVERALL LENGTH

STEEL

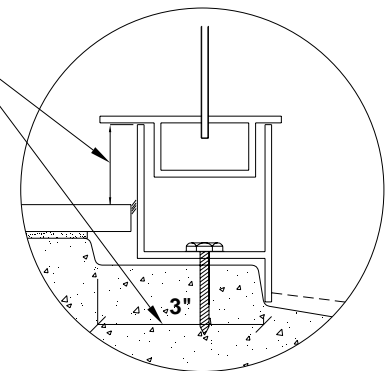
1'-7"	1 - #3 rebar
2'-0"	1 - #3 rebar
2'-2 1/2"	1 - #3 rebar
3'-0"	1 - #3 rebar
3'-1"	1 - #3 rebar
4'-0"	1 - #3 rebar
4'-5"	1 - #3 rebar
5'-0"	1 - #3 rebar
6'-0"	1 - #3 rebar
6'-2"	1 - #3 rebar



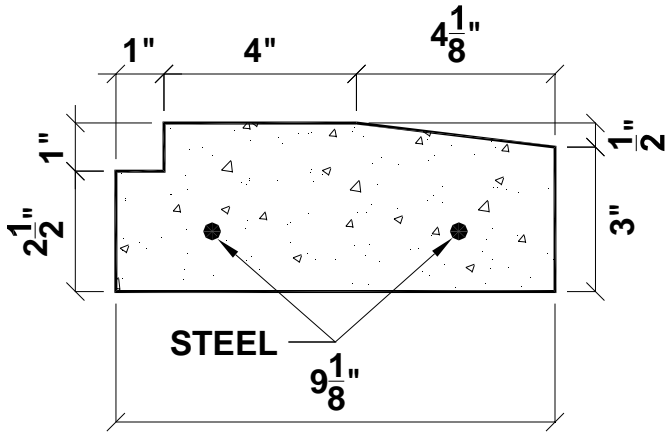
HiDri® SILL



NOTE:
FOR USE WITH WINDOW FRAMES 3" OR LESS IN WIDTH. COORDINATE WITH THE WINDOW MANUFACTURER TO INSURE ADEQUATE CLEARANCE FOR USE OF LOCKS, LIFT RAIL AND CRANK HANDLE.



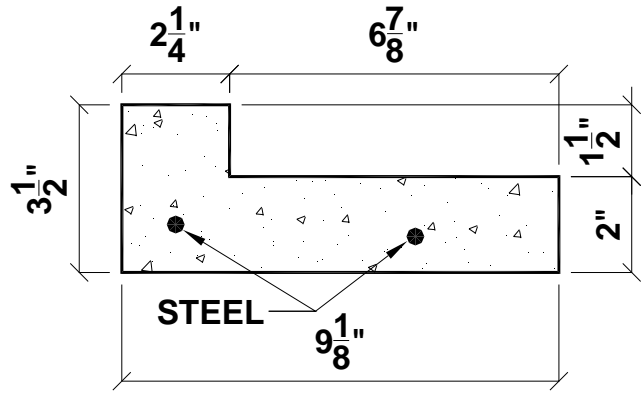
TYPICAL INSTALLATION



SWING DOOR THRESHOLD

OVERALL LENGTH	STEEL
2'-11 1/2"	2 - #3 rebar
3'-3 1/2"	2 - #3 rebar
5'-4"	2 - #3 rebar
6'-3"	2 - #3 rebar

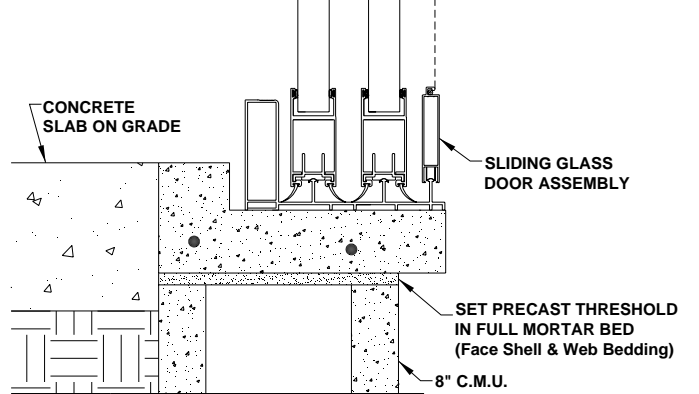
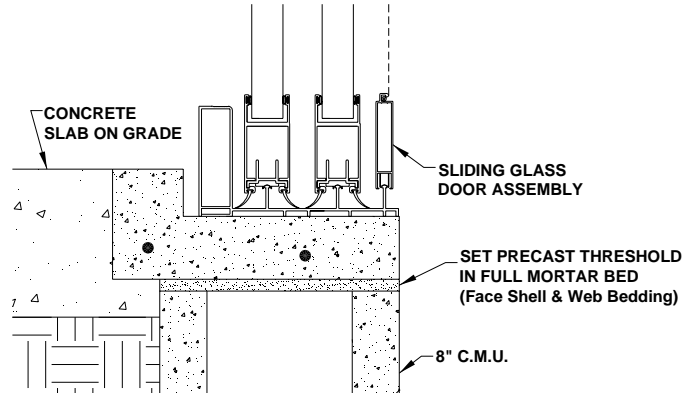
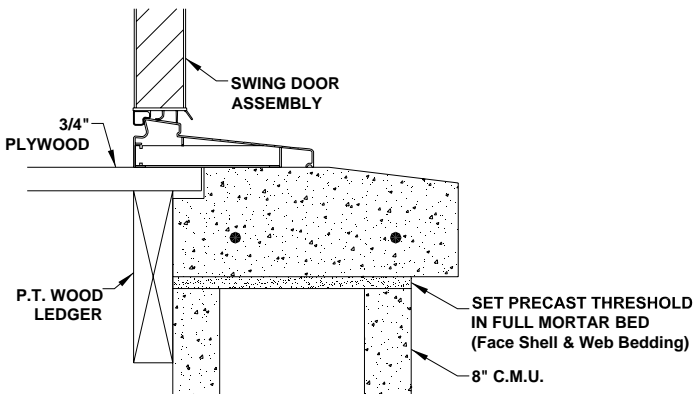
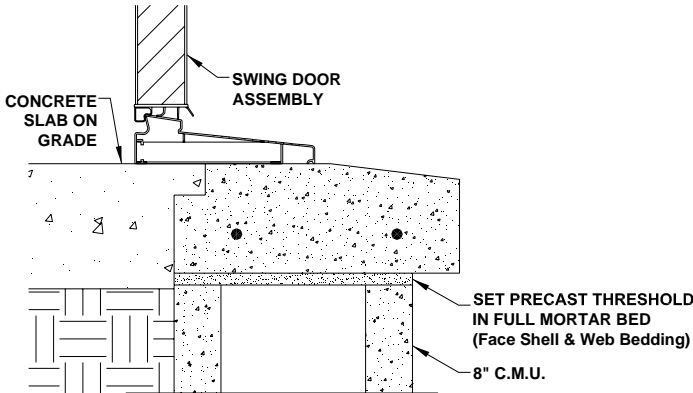
Rebar: ASTM A615 Grade 60
Concrete Strength: 3000 psi
Average Self Weight: 28 plf
Finish: Grey Block



SLIDING GLASS DOOR THRESHOLD

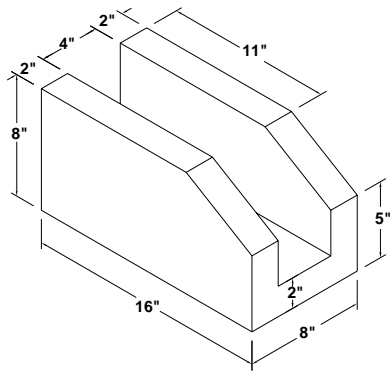
OVERALL LENGTH	STEEL
4'-0"	2 - #3 rebar
5'-0"	2 - #3 rebar
6'-0"	2 - #3 rebar
8'-0"	2 - #3 rebar

Rebar: ASTM A615 Grade 60
Concrete Strength: 3000 psi
Average Self Weight: 20 plf
Finish: Grey Block

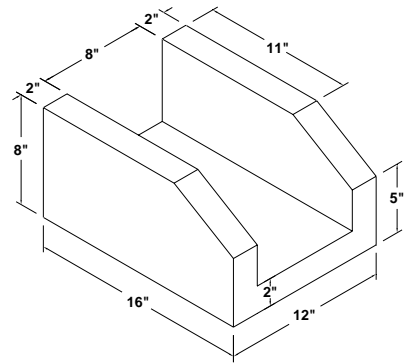


TYPICAL USE

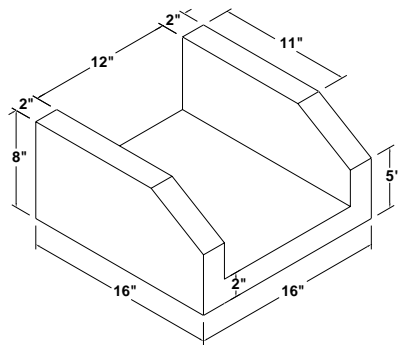
PRECAST SCUPPERS



8" SCUPPER



12" SCUPPER



16" SCUPPER

Concrete Strength: 6000 psi

Synthetic Fibers: 2.5 lbs/yd

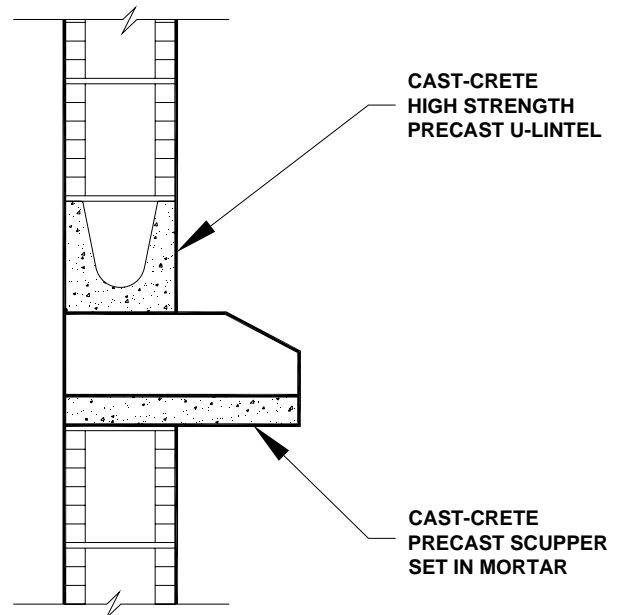
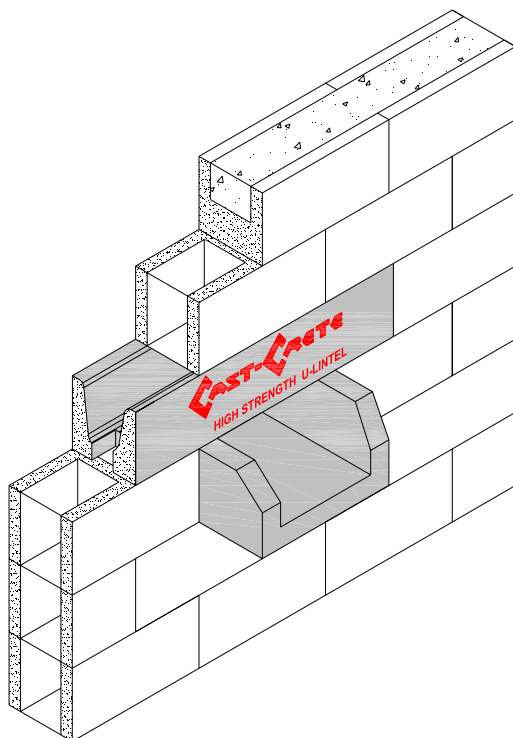
Average Self Weights:

8" Scupper = 50 lbs

12" Scupper = 60 lbs

16" Scupper = 70 lbs

Finish: Grey Smooth Form



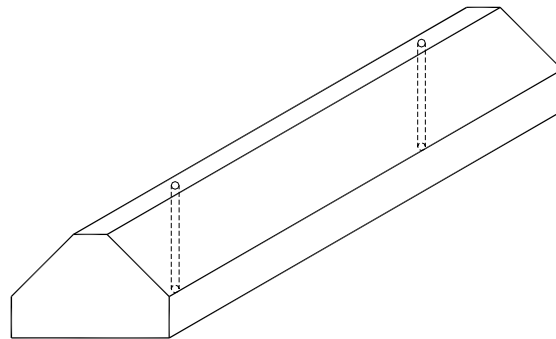
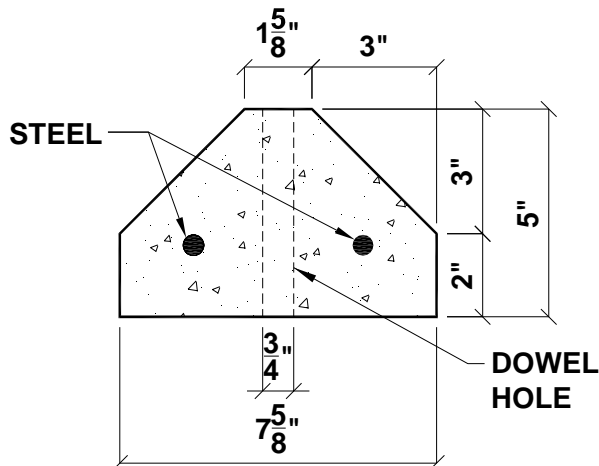
TYPICAL INSTALLATION

HEAVY DUTY PRECAST PARKING BUMPERS



OVERALL LENGTH **STEEL**

3'-0"	2 - #3 rebar
6'-0"	2 - #3 rebar



Rebar: ASTM A615 Grade 60
Concrete Strength: 3500 psi
Average Self Weights:
 3'-0" Bumper = 81 lbs
 6'-0" Bumper = 162 lbs
Finish: Sand / Grey Block

TYPICAL INSTALLATION

- STEP: 1 Remove any debris from area where parking bumper is to be placed. (Grass, dirt, oil, etc.)
- STEP: 2 Make sure parking bumper is located on a level surface.
- STEP: 3 Place parking bumper in specified location.
- STEP: 4 Drive the pins into the parking surface until the top of pin is at a minimum flush with top of parking bumper.

DURABLE

- Our parking bumpers are Machine-made, ensuring uniform dimensions and proper placement of the reinforcing steel.

FINISH

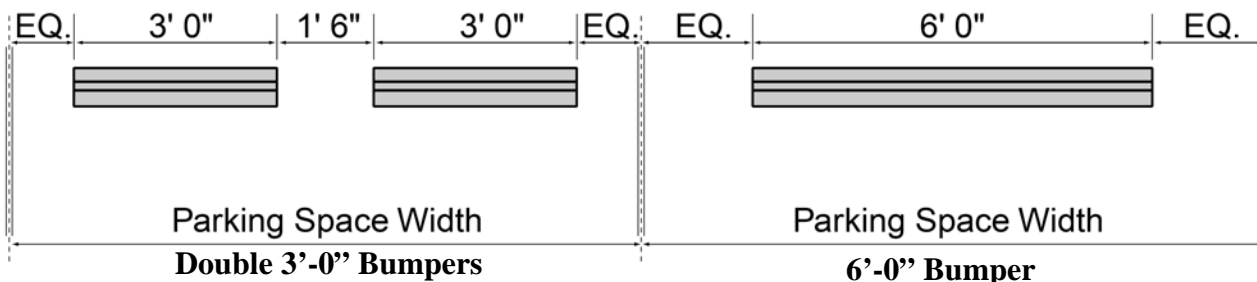
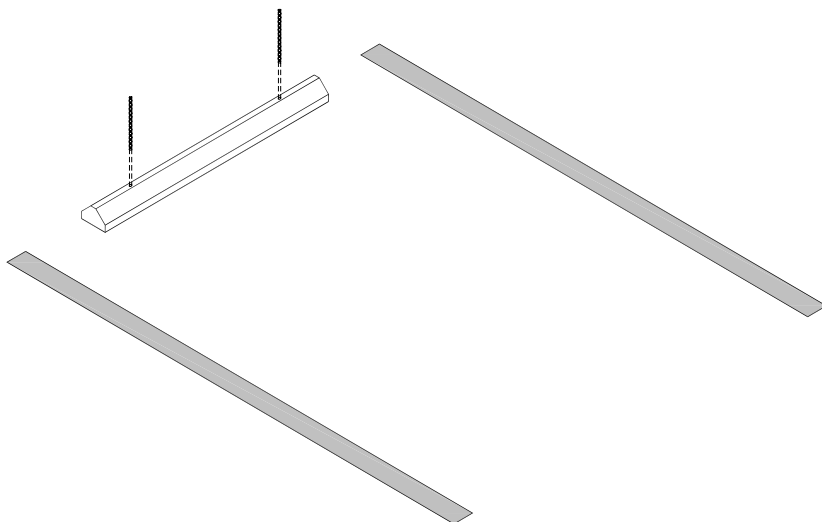
- Sand / Grey block texture. Paint adheres better than a smooth concrete finish.

ECONOMICAL

- 5" height provides clearance for bumpers and air dams on low profile cars. Available in 3'-0" & 6'-0" lengths.

SPECIFICATIONS

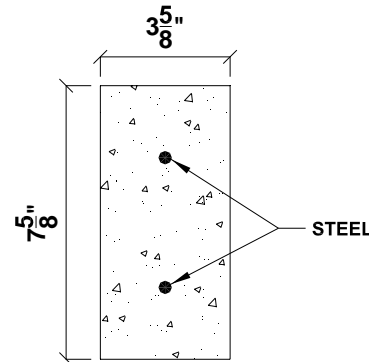
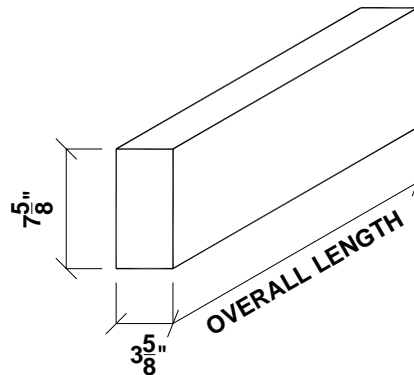
- Machine made with 3,500 P.S.I. concrete. Reinforcing consists of two #3 deformed steel bars. Dowel holes are cast-in to receive a one foot length of #4 rebar anchor rod. Two anchor rods are supplied with each parking bumper.



4" PRECAST SOLID LINTELS STANDARD LENGTHS



OVERALL LENGTH	TOP STEEL	BOTTOM STEEL
3'-4"	1 -#3 rebar	1 -#3 rebar
3'-6"	1 -#3 rebar	1 -#3 rebar
4'-0"	1 -#3 rebar	1 -#3 rebar
4'-6"	1 -#3 rebar	1 -#3 rebar
4'-8"	1 -#3 rebar	1 -#3 rebar
5'-4"	1 -#3 rebar	1 -#3 rebar
5'-10"	1 -#3 rebar	1 -#3 rebar
6'-0"	1 -#3 rebar	1 -#3 rebar
6'-6"	1 -#3 rebar	1 -#3 rebar
6'-8"	1 -#3 rebar	1 -#3 rebar
7'-4"	1 -#3 rebar	1 -#3 rebar
7'-6"	1 -#3 rebar	1 -#3 rebar
8'-0"	1 -#3 rebar	1 -#3 rebar
8'-8"	1 -#3 rebar	1 -#3 rebar
9'-4"	1 -#3 rebar	1 -#3 rebar
10'-0"	1 -#3 rebar	1 -#3 rebar
10'-6"	1 -#3 rebar	1 -#3 rebar



LINTEL TYPE 4S8

Additional lengths available by special order

NOTE: INSTALL LINTEL WITH 7 5/8" DIMENSION VERTICAL

Rebar: ASTM A615 Grade 60
Concrete Strength: 3000 psi
Average Self Weight: 26 plf
Finish: Grey Block

4" SOLID LINTELS SAFE LOADS (LBS/FT)

		GRAVITY	UPLIFT	LATERAL
OVERALL LINTEL LENGTH	TYPE OF LINTEL	4S8	4S8	4S8
2'-8" TO 3'-6"	PRECAST	1180	687	371
3'-7" TO 4'-0"	PRECAST	959	597	320
4'-1" TO 4'-6"	PRECAST	789	529	258
4'-7" TO 5'-10"	PRECAST	460	407	148
5'-11" TO 6'-6"	PRECAST	360	366	118
6'-7" TO 7'-6"	PRECAST	260	280	87
7'-7" TO 9'-4"	PRECAST	156	187	55
9'-5" TO 10'-6"	PRECAST	116	152	43

CONTACT **CAST-CRETE** FOR ALL YOUR CUSTOM PRECAST PROJECTS



LANDSCAPE MARKER

**NO JOB IS TOO
SMALL OR
TOO LARGE**



**MARINE STRUCTURE
FOR EROSION CONTROL**



RADIUS LINTELS



ARCH LINTELS

- LINTELS**
- BOLLARDS**
- SILLS**
- WALL CAPS**
- WALL PANELS**
- COLUMN CAPS**
- STAIR TREADS**
- AND MORE.....**

COMPLEMENTARY INTERACTIVE CD

To Request Your Free Copy Visit Us At www.castcrete.com



Now Available
PRODUCT INFORMATION CD



CAST-CRETE® products are distributed by the most progressive concrete products companies. Visit us at www.castcrete.com for the distributor nearest you.



1-800-999-4641

www.castcrete.com



Post Office box 24567
Tampa, FL 33625-4567
Phone: (813) 621-4641
Fax: (813) 620-3602



© 2011 Cast-Crete



1111-1016