

# weatherables

Premium Vinyl Railing Gate

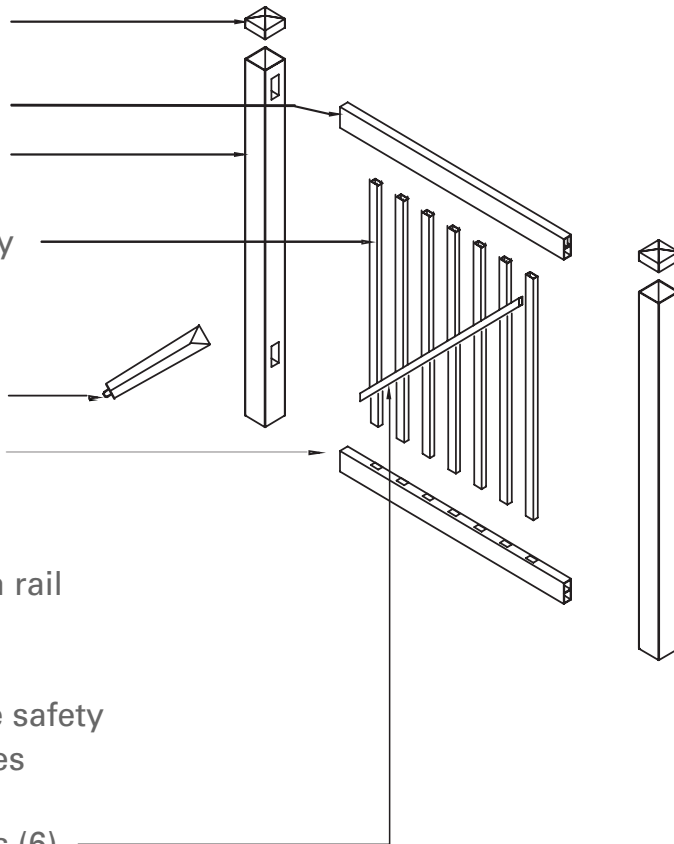
Installation Guide

## Blending optimal function and performance.

All of our railing gates are designed and manufactured with function and long-term performance in mind. We use the most durable gate hardware in the industry. This guide will help make your installation easy.

### Railing Gate Kit Includes:

- Post Cap (2)
- Top Rail (1)
- Gate Socket Post (2)
- Pickets (quantity varies by model)
- Tube of Glue (1)
- Bottom Rail (1)
- Aluminium Insert (2)  
\*located in top & bottom rail
- Gate Hardware  
\* Includes a key-lockable safety latch & self closing hinges
- Cross Brace (1) & Screws (6)

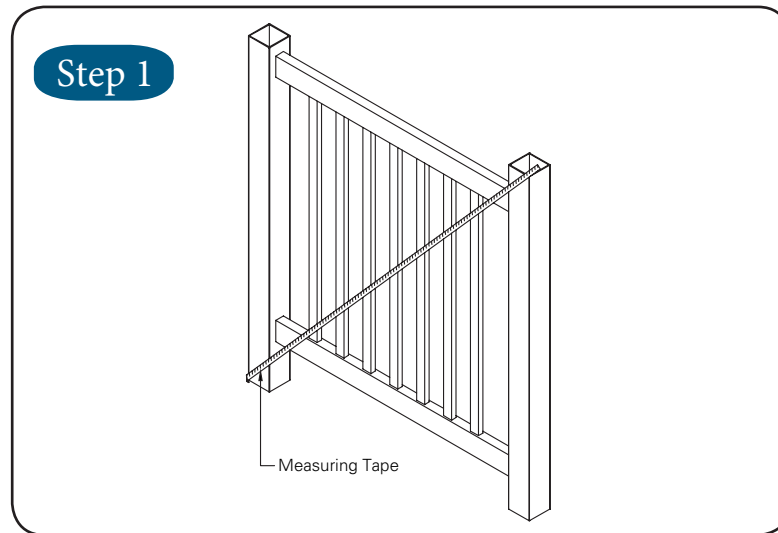


All dimensions are in inches (")

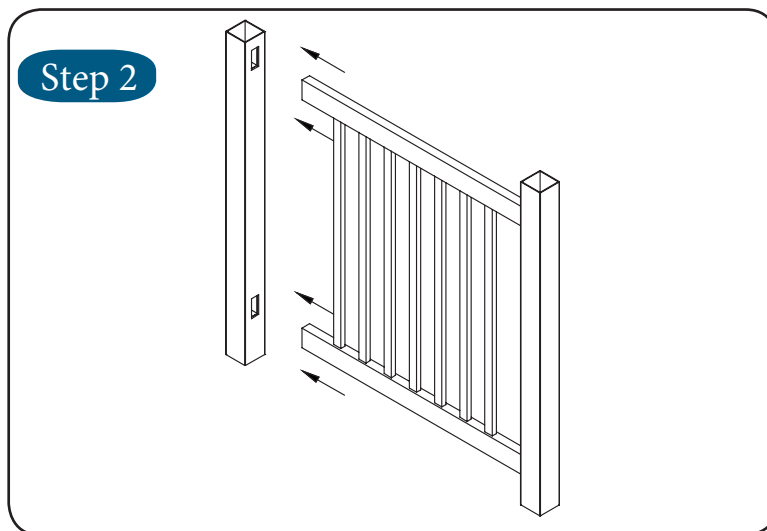
### IMPORTANT TIPS

- Be sure your gate posts are set with the correct rough opening to accommodate the assembled gate and hardware. As a general rule, the hinge and the latch require a 1" gap each. Be sure to refer to the gate hardware installation instructions for your specific hardware.
- Railing gates are cut to be 60" wide but may be cut down to a smaller width on site. See page 4 for instructions.
- Mount the gate flush with the side of the railing that the gate will be swinging on.
- Be sure the gate positioning allows it to clear obstructions such as snow and large post cap profiles.

# Gate Assembly

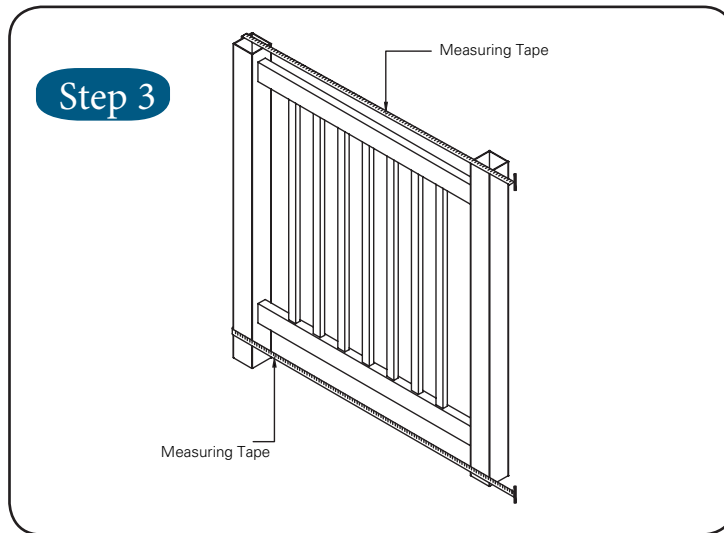


1. Locate, lay out and dry-assemble all parts of the gate including posts, rails and pickets. Do not use glue.
2. Insert the pickets into the top and bottom rails as needed.
3. Measure the width at the top and bottom of gate to ensure your gate is a square. Measure diagonally from the left and right to ensure both lengths are the same or within 1/8" of a difference.
4. Adjust as necessary.

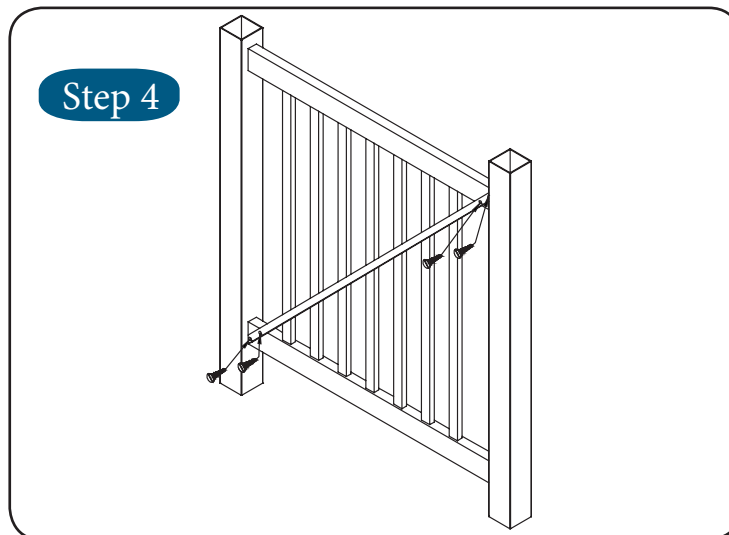


1. Remove the first gate post to flip it and place a 1/8" bead of glue around the inside of the two pockets down about 1/4" from the top of each pocket. It is important to do next step quickly because the glue dries quickly!
2. After glue is placed in the pockets of the first post, flip the post and quickly insert the rails into the pockets.
3. Be sure to firmly insert the rails. The glue will set in about 45 seconds.

# Gate Assembly



1. Repeat the previous steps for the other post. This may take some assistance to do before the glue sets.
2. Next, measure the top and bottom of gate to ensure both lengths are the same.



1. Lay the cross-brace on the gate and mark the length to cut.
2. Pre-drill 2 holes into the cross-brace only. DO NOT pre-drill into the gate.

**!** **Tip :** The cross brace rests at the bottom on the hinge side of the gate. The latch side of gate is the side where cross-brace is at the top. We recommend marking the hinge side with a piece of tape so you can easily differentiate the hinge side from the latch side. This will help ensure cross-brace is installed correctly.

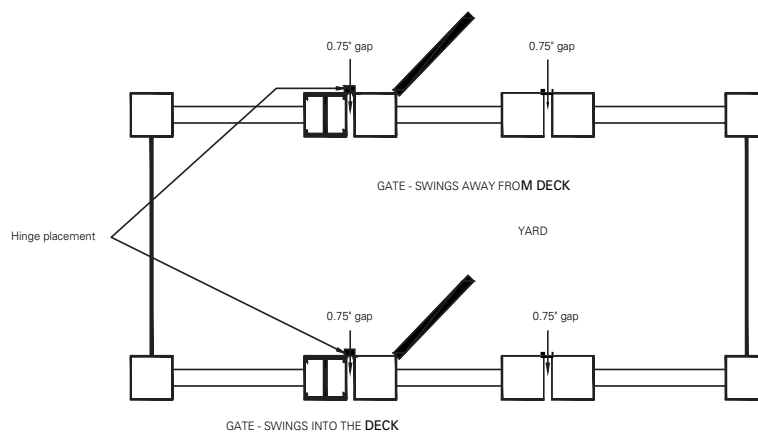
3. Attach the brace using 2 self-tapping screws at each end of the gate.

**!** **Tip :** The cross-brace mounts to the rails only. It should run diagonally starting at the bottom of the bottom rail (near the hinge post) to the top rail (near the latch post).

# Gate Installation

## GATE INSTALLATION

1. Determine the direction the gate is to swing, it usually swings away from deck. Check your local codes!
2. Locate and follow the hardware installation instructions. The gate will be mounted flush with the side of the railing that the gate will be swinging off of. See the illustration below. Be sure the gate is high enough to clear obstructions such as snow. The gate posts may be cut on site as needed. You may choose to cut the gate posts off at the bottom of the lower gate pocket. However, be sure you DO NOT cut into the gate pocket.



## ADJUSTING THE GATE WIDTH:

All railing gates are 60" wide, but may be cut down to a custom size on site. To cut the gate to a custom size, follow the steps below:

1. Measure the distance between posts.
2. Subtract the space needed to accommodate the gate hardware. Typically this is 2 1/4 inches, but refer to the gate hardware installation instructions for your specific hardware to confirm. The distance between the posts minus the space needed for the hardware is the total length of the gate rails.
3. Before cutting the rails, ensure there will be adequate space between the socket post and the first picket hole. Note, the gate rails insert 3-7/8" into the socket posts. In order to keep the pickets centered correctly, the length cut from the rail may need to be different on each side.
4. Mark the bottom and top rail to the same length, ensuring the spindle holes line up.
5. Cut the vinyl rail. The aluminum insert will need to be cut 1/2" shorter than the rail.