



Prices effective October 3, 2022

Co/Struc[®] System

Introduction	page 2
Co/Struc[®] System	3
Structure	5
Work Surfaces	70
Storage	113
Mobile Technology Carts	200
Transport	205
Indices	207
By Name	207
By Number	209
Appendices	
20-Day or Less/Assigned Lead-Time Order Information-Healthcare	
Packaging/Keyed-Alike Information-Co/Struc System	
For the latest materials information, refer to the Materials pages on HermanMiller.com.	

Introduction

A Note on the Organization of This Book

There are a few signals that will help you understand the organization of this book. Once you know them, you should be able to find your way around easily.

Like a newspaper, this book is formatted with columns of text and illustrations that run vertically.

Information wraps from one column to the next and continues for as many pages as it needs to.

Black bars are clues.

A black bar at the top of a page signals the start of information about a product.

This information is divided into two sections, each signaled by a black bar. Product Information includes a description, additional notes, and dimensional drawings. Specification Information, which always begins at the top of a column, includes a series of steps. Each step represents a decision you need to make in order to complete your product number. Steps must be followed sequentially. The number of pages needed to complete information on a product varies; some will be complete in one page; others may fill three or four pages. Just continue going through the steps until you run into the next product, signaled by the black bar at the top of the page.

Black tabs running along the outside edge of the page help you locate what section you are in or what section you want to go to. You can thumb forwards or backwards to find a section; tabs and text appear on both sides of the page.

The additional pages in the back of the book include the appendices and indices. They are signaled by a long black bar running along the outside edge of the page.

The index is presented two ways.

The first index is in alphabetical order by product name. It can be helpful if you are new to the products and numbering scheme or if you are looking for a type of product, such as work chair or round table.

The second index is by product number. It lists, in alphanumeric order, the base product number, typically a five-digit number.

General Information

This book is effective October 3, 2022, subject to change without notice. Products may be purchased from authorized Herman Miller dealers who will quote prices upon request. For more information about our products and services or to see a list of dealers, visit www.HermanMiller.com.


All prices are list prices. Additional services, such as planning services, design, storage, and installation, are not included and must be added to these prices when the additional services are requested.


Illustrations, specifications, and prices are based on the latest information at the time of publication. The right is reserved to make changes at any time without notice in prices, fabrics, finishes, materials, specifications, and models, and also to discontinue models and finishes.

Dimensions shown in the drawings are engineering drawing dimensions rounded up to the nearest $\frac{1}{8}$ ". Product is shipped set up or knocked down. Products that include "Shipped knocked down" in the description require some assembly. If this statement does not appear in the description, the product is shipped assembled.

Service problems are normally handled by a Herman Miller authorized dealer. Where this cannot be accomplished on a local level, service problems should be referred to the Customer Care Representative for your region, Herman Miller, Inc., Zeeland, Michigan 49464.

20-Day or Less/Assigned Lead-Time Shipments

All products and options in this price book not designated by an Assigned Program icon  will ship in **20 business days or less** after being acknowledged by Herman Miller.

Products and options designated by an  are on the assigned lead-time program and may ship in 20 days, less than 20 days, or more than 20 days from order acknowledgement.

Structure

Work Surfaces

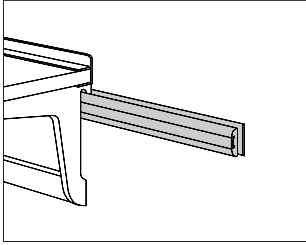
Storage

Mobile Technology Carts

Transport

Standard Rail

CO282



Product Information

Description

This assembly attaches to a wall and supports Co/Struc hanging components. It includes a 12' rail, a 12' cover strip, a 12' back plate, 25 stand-offs, and 5 spacers.

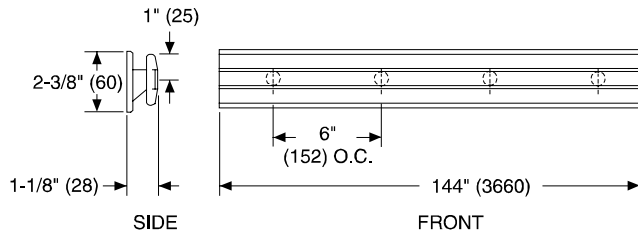
Notes

To attach assembly to wall, order rail hardware (CO28441, or CO28541) separately.

To finish end, order end cap for standard or seismic rail (CO338) separately.

When seismic components are required, order seismic wall rail (CO479) instead of standard rail (CO282).

Dimensions



Specification Information

Step 1.

CO282FF \$419

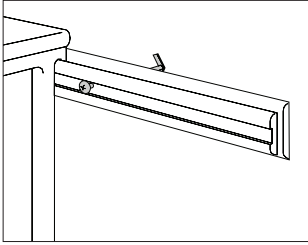
Step 2. Surface Finish

HF	inner tone light	+\$0
LT	light tone	+\$0
LU	soft white	+\$0
WN	warm grey neutral	+\$0

Co/Struc® Structure

Rail Hardware

C0284
C0285



Co/Struc® Structure

Product Information

Description

This package contains enough fasteners to install 12' of standard rail.

Package contains 300 fastener sets.

The 3" sheet metal screws with plastic anchors are #14, flat-head, Phillips-drive screws with 1³/₈"-long plastic anchors. The 4" toggle bolts with wall bushings are 1/4"-20, flat-head, Phillips-drive toggle bolts.

Specification Information

Step 1.

C028

Step 2. Hardware

441 3" sheet metal screws with plastic anchors

541 4" toggle bolts with wall bushings

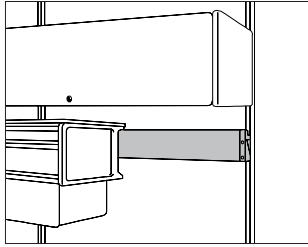
Prices for Steps 1-2.

C028441 \$313

C028541 \$973

Adapter Rail

C1610.

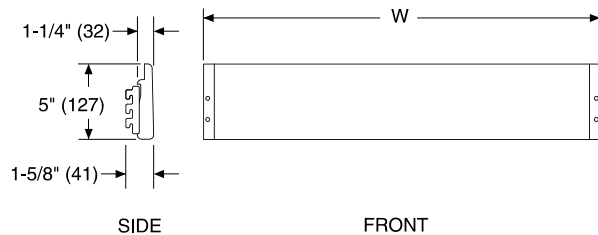


Product Information

Description

This rail attaches to a panel, a module, or wall strips to support Co/Struc® hanging components or a storage case in a straight-line configuration. It does not hang directly on a wall. 2 rails are required to hang a locker from an open panel frame or glazed panel.

Dimensions



Specification Information

Step 1.

C1610.

Step 2. Width

24	24" wide
30	30" wide
36	36" wide
42	42" wide
48	48" wide
60	60" wide

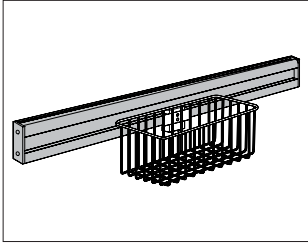
Prices for Steps 1-2.

C1610. 24	\$276
30	\$288
36	\$302
42	\$329
48	\$349
60	\$389

Step 3. Surface Finish

HF	inner tone light	+\$0
LT	light tone	+\$0
LU	soft white	+\$0
WN	warm grey neutral	+\$0

Equipment Rail, Wall Mounted C1170.



Co/Struc® Structure

Product Information

Description
 This aluminum rail attaches to an architectural wall. It holds work tools or accessories and can be field cut to the appropriate width. The rail includes plastic end caps to accommodate 2 field-cut rail sections.

Notes

Customer must supply attachment hardware for wall conditions.
 Order rail-mounted accessories separately:

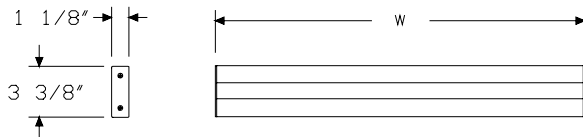
- Chart holder (CT730.)
- Glove box holder (CT726.)
- Sharps container holder (CT734.)
- Supply basket (CT720. or CT722.)
- Suture basket (CT723.)
- Tilt-out storage bin (CT9303., CT9304., CT9305., CT9306.)
- Utility hook (CT776.)
- Wastebasket and holder (CT728.)

Order work tools separately:

- Diagonal tray (Y7218.)
- Mini-shelf (Y7310.)
- Organizer tray (Y7210.)
- Paper tray (Y7216.)
- Rail divider (Y7320.)
- Vertical tray (Y7217.)

To mount customer-supplied accessories, order rail clamp (CT729.) separately.

Dimensions



Specification Information

Step 1.

C1170.

Step 2. Width

24	24" wide
30	30" wide
36	36" wide
42	42" wide
48	48" wide
60	60" wide

Prices for Steps 1-2.

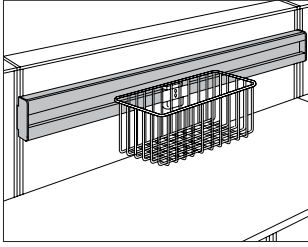
C1170. 24	\$134
30	\$163
36	\$187
42	\$198
48	\$219
60	\$246

Step 3. End Cap Finish

LU	soft white	+\$0
WN	warm grey neutral	+\$0

Equipment Rail, Systems Mounted

C1172.



Product Information

Description

This aluminum rail attaches to a panel, freestanding module, or wall strips and holds work tools or accessories. It includes steel end caps. Attachment hardware is included.

Notes

Order rail-mounted accessories separately:

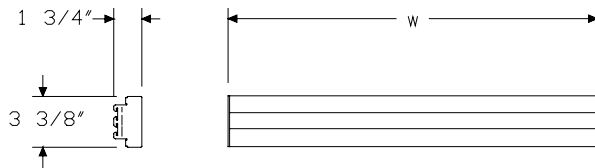
- Chart holder (CT730.)
- Glove box holder (CT726.)
- Sharps container holder (CT734.)
- Supply basket (CT720. or CT722.)
- Suture basket (CT723.)
- Tilt-out storage bin (CT9303., CT9304., CT9305., CT9306.)
- Utility hook (CT776.)
- Wastebasket and holder (CT728.)

Order work tools separately:

- Diagonal tray (Y7218.)
- Mini-shelf (Y7310.)
- Organizer tray (Y7210.)
- Paper tray (Y7216.)
- Rail divider (Y7320.)
- Vertical tray (Y7217.)

To mount customer-supplied accessories, order rail clamp (CT729.) separately.

Dimensions



Specification Information

Step 1.

C1172.

Step 2. Width

24	24" wide
30	30" wide
36	36" wide
48	48" wide

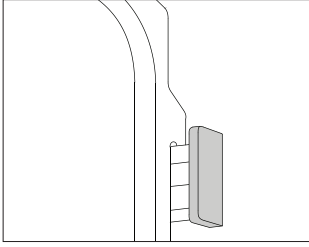
Prices for Steps 1-2.

C1172. 24	\$195
30	\$207
36	\$224
48	\$281

Step 4. End Cap Finish

LU	soft white	+\$0
WN	warm grey neutral	+\$0

End Cap for Standard or Seismic Rail C0338 Rail



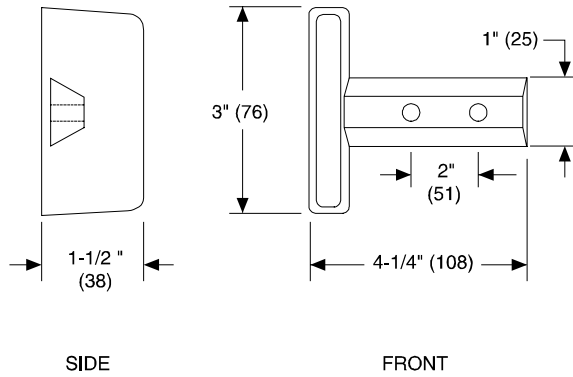
Co/Struc® Structure

Product Information

Description
This end cap provides a finished end for a standard or seismic wall rail and a positive stop for a locker.

Notes
For areas requiring seismic components, order 1 end cap for each end of rail, and order seismic wall rail (C0479) separately.
For areas not requiring seismic components, order 1 end cap for each end of rail, and order standard rail (C0282) separately.

Dimensions

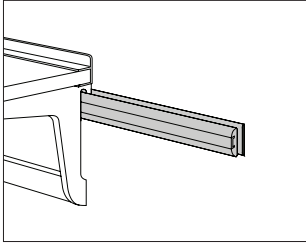


Specification Information

Step 1.
C0338FF \$78

Step 2. Surface Finish

HF	inner tone light	+\$0
LT	light tone	+\$0
LU	soft white	+\$0
WN	warm grey neutral	+\$0



Product Information

Description

This aluminum rail attaches to a wall and supports Co/Struc hanging components. It includes a 12' rail, a 12' cover strip, a 12' back plate, 26 stand-offs, and 5 spacers.

Notes

Order rail for areas requiring seismic components, when attaching to studs 16" on center, or when attaching to plaster in accordance with OPA-0117 in California.

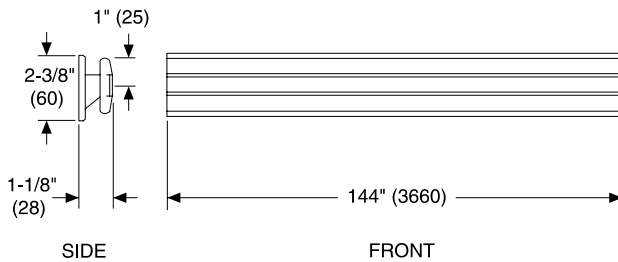
To meet the conditions of appropriate OPA, refer to the OPA document for specific hardware. For other applications, order rail hardware (CO28441, or CO28541) separately.

Order additional seismic components separately:

- End cap for standard or seismic rail (CO338)

Field drilling is required for proper installation.

Dimensions



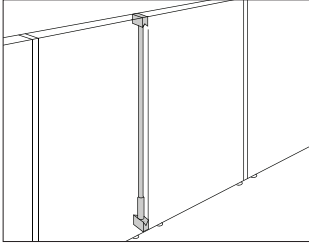
Specification Information

Step 1.

CO479FF \$613

Step 2. Surface Finish

HF	inner tone light	+\$0
LT	light tone	+\$0
LU	soft white	+\$0
WN	warm grey neutral	+\$0



Co/Struc® Structure

Product Information

Description

This draw rod connects Action Office® Series 1 or 2 panels or Co/Struc® support panels in a straight line. It has a threaded hole in the draw block for attachment to a seismic floor anchor bracket.

Notes

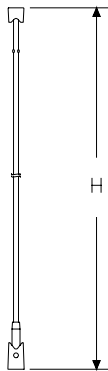
For Action Office Series 1 panels or Co/Struc support panels, specify height of draw rod to match height of panel.

For Action Office Series 2 panels, specify draw rod as follows:

- 32"-high panel, C0215.27
- 39"-high panel, C0215.34
- 47"-high panel, C0215.42
- 53"-high panel, C0215.48
- 62"-high panel, C0215.57
- 67"-high panel, C0215.62
- 85"-high panel, C0215.80

Order floor anchor bracket, Action Office Series 1 (C0481.) or floor anchor bracket, Action Office Series 2 (C0485.) separately.

Dimensions



Specification Information

Step 1.

C0215.

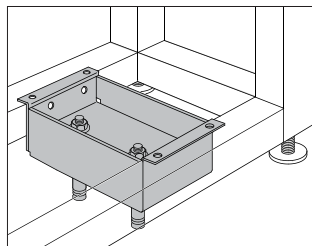
Step 2. Height

27	27" high
34	34" high
42	42" high
48	48" high
57	57" high
62	62" high
80	80" high

Prices for Steps 1-2.

C0215.27	\$39
34	\$40
42	\$40
48	\$41
57	\$41
62	\$42
80	\$45

Floor Anchor Bracket, Co/Struc® C0568 Lab Module



Product Information

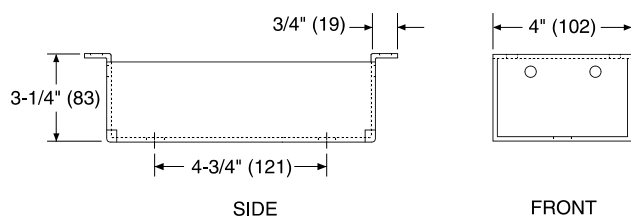
Description

This bracket fastens both sides of a module frame to the floor. Each anchor location requires 1 bracket. Finish is light tone. Package contains 10. Hardware to attach module is included. Floor anchor and bolt must be customer supplied.

Notes

Order bracket for areas requiring seismic components.
Lab modules need to be mounted flush for anchor to install.

Dimensions



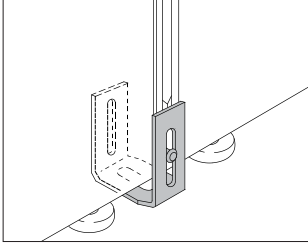
Specification Information

Step 1.

C0568FF

\$1358

Floor Anchor Bracket, Action Office® Series 1 C0481



Co/Struc® Structure

Product Information

Description
 This bracket fastens both sides of an Action Office® Series 1 panel to the floor and is designed for use in areas requiring seismic components. Package contains 10.

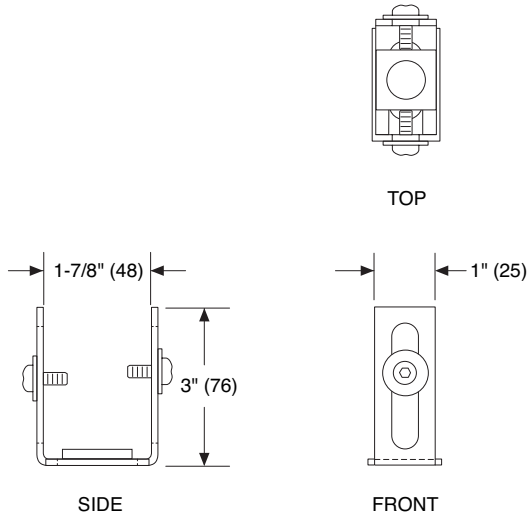
Notes

Order the following products separately:

- Draw rod (CO215.)
- Floor anchor adapter kit (CO552.)
- Seismic finished end (A1250.) when using only Action Office Series 2 components
- Seismic hingeable end (AO258.) when using Action Office Series 1 or Co/Struc® components

Customer must supply required bolts and concrete anchors.

Dimensions



Specification Information

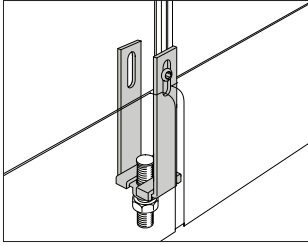
Step 1.

C0481 \$502

Step 2. Finish

HF	inner tone light	+\$0
LT	light tone	+\$0
LU	soft white	+\$0
WN	warm grey neutral	+\$0

Floor Anchor Bracket, Action Office® Series 2 CO485



Product Information

Description

This bracket fastens both sides of an Action Office® Series 2 panel to the floor and is designed for use in areas requiring seismic components. Package contains 10.

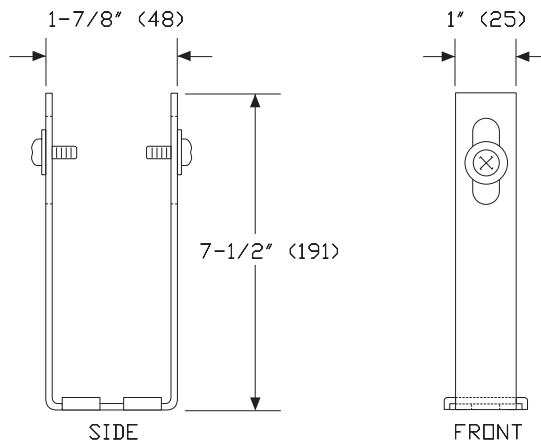
Notes

Order the following products separately:

- Draw rod (CO215.)
- Floor anchor adapter kit (CO552.)
- Seismic finished end (A1250.)

Customer must supply required concrete anchors.

Dimensions



Specification Information

Step 1.

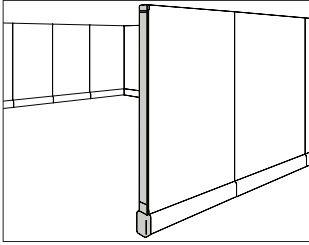
CO485 \$1113

Step 2. Finish

HF	inner tone light	+\$0
LT	light tone	+\$0
LU	soft white	+\$0
WN	warm grey neutral	+\$0

Seismic Finished End

A1250.



Co/Struc® Structure

Product Information

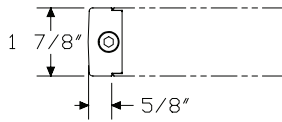
Description

This seismic cover finishes the exposed end of a panel. It has a draw block that accepts a seismic bracket to meet the state of California seismic codes, and includes a cable management end cover.

Notes

Order floor anchor bracket, Action Office Series 2 (CO485.) separately.

Dimensions



Specification Information

Step 1.

A1250.

Step 2. Height

39S	39" high
47S	47" high
53S	53" high
62S	62" high
67S	67" high
85S	85" high

Prices for Steps 1-2.

A1250. 39S	\$167
47S	\$177
53S	\$181
62S	\$188
67S	\$188
85S	\$196

Step 3. Surface Finish

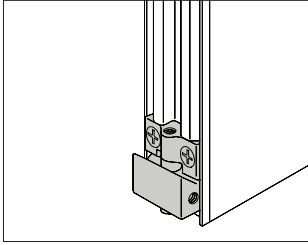
HF	inner tone light	+\$0
LT	light tone	+\$0
LU	soft white	+\$0
MT	medium tone	+\$0
WL	sandstone	+\$0
WN	warm grey neutral	+\$0

Step 4. Cable Management Finish

HF	inner tone light	+\$0
LU	soft white	+\$0
MT	medium tone	+\$0
WL	sandstone	+\$0
WN	warm grey neutral	+\$0

Floor Anchor Adapter Kit

C0552



Product Information

Description

This kit replaces the bottom block of an Action Office® Series 1 or 2 spacer or 2-way, 3-way, or 4-way connector. It is designed to be used in areas requiring seismic components and has a threaded hole in the draw block for attachment to a seismic floor anchor bracket. Package contains 10.

Notes

Order floor anchor bracket, Action Office Series 1 (C0481.) or floor anchor bracket, Action Office Series 2 (C0485.) separately.

Dimensions

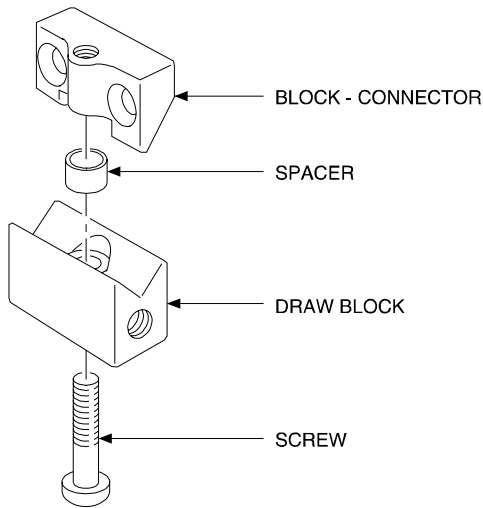
Specification Information

Step 1.

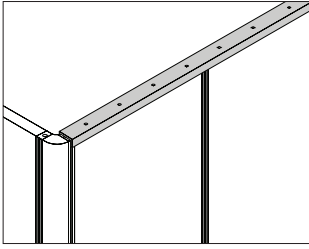
C0552

\$280

Co/Struc® Structure



Panel Stiffener, Action Office® C0553
 Series 1 or Series 2 Top Cap



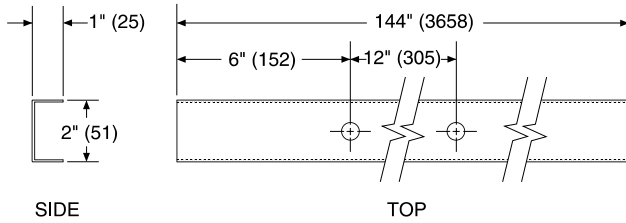
Co/Struc® Structure

Product Information

Description

This top cap fits over a standard top cap and spans multiple Action Office® Series 1 or 2 panels. It provides extra rigidity along the panel run. The 12'-long top cap can be field cut to the appropriate length. Attachment hardware is included.

Dimensions



Specification Information

Step 1.

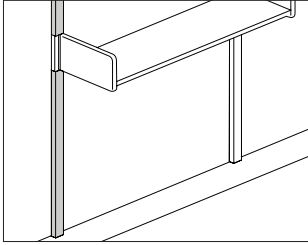
C0553FF \$756

Step 2. Surface Finish

HF	inner tone light	+\$0
LT	light tone	+\$0
LU	soft white	+\$0
MT	medium tone	+\$0
WN	warm grey neutral	+\$0

Wall Strip Cover

CO487.



Product Information

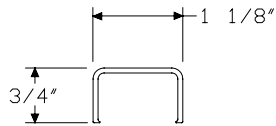
Description

This plastic cover snaps onto a wall strip to cover the slots. It helps with infection control in healthcare environments by preventing bacteria and germs from growing in these slots. It is 84" and must be field cut to match the wall strip height. Package contains 6 covers.

Notes

Order wall strips (A0213. or E1130.) separately.

Dimensions



Specification Information

Step 1.

CO487.

\$610

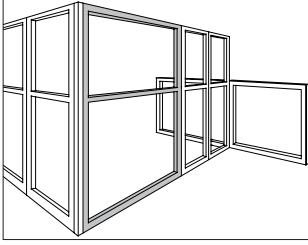
Step 2. Finish

BU	black umber	+\$0
HF	inner tone light	+\$0
LU	soft white	+\$0
MT	medium tone	+\$0

Co/Struc® Structure

Open Support Panel

C1150.



Co/Struc® Structure

Product Information

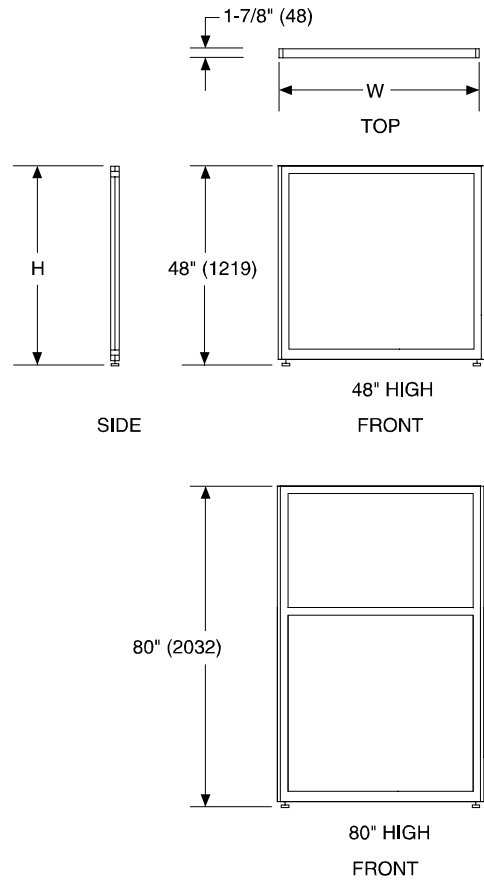
Description

This open panel has hanger frames at 1" intervals to support components. It can be used as a return panel to stabilize a panel run. The panel cannot accept the 3- or 4-circuit electrical system and cannot be used with an Action Office® Series 2 corner connector.

Notes

- Order draw rods (AO215.) or seismic draw rods (CO215.) separately.
- To attach panels of unequal height, order change of height draw rods (AO219.) and change of height panel/panel finished ends (AO272.) separately.
- To join 2 support panels of equal or unequal heights at a 90° angle, order 2-way 90° corner connector (C1221.) separately.
- To join 3 support panels of equal or unequal heights at a 90° angle, order 3-way 90° corner connector (C1231.) separately.

Dimensions



Specification Information

Step 1.

C1150.

Step 2. Height

48 48" high

80 80" high

Step 3. Width

12 12" wide

24 24" wide

30 30" wide

36 36" wide

48 48" wide

Prices for Steps 1-3.

	12	24	30	36	48
C1150. 48	\$722	749	805	866	937
80	\$994	1058	1113	1181	1287

Step 4. Surface Finish

HF inner tone light +\$0

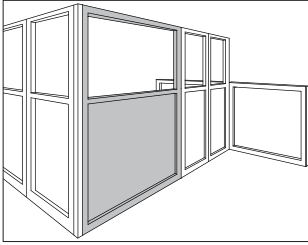
LT light tone +\$0

LU soft white +\$0

WN warm grey neutral +\$0

Support Panel

C1151.



Co/Struc® Structure

Product Information

Description

This panel has a 48"-high recessed filler and hanger frames at 1" intervals to support components. It can be used as a return panel to stabilize a panel run. The panel has an area between the filler and the rear edge of an attached work surface for passage of wires or tubes. It cannot accept the 3- or 4-circuit electrical system and cannot be used with an Action Office® Series 2 corner connector.

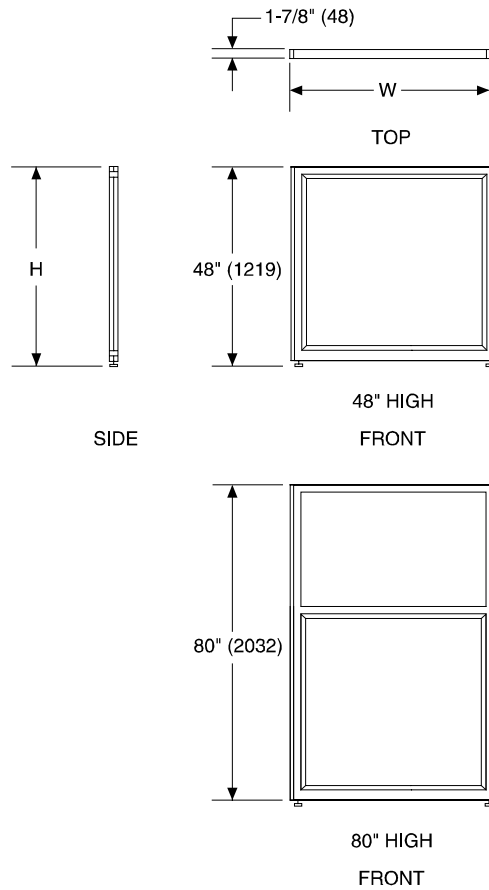
Notes

Order draw rods (AO215.) or seismic draw rods (CO215.) separately.
 To attach panels of unequal height, order change of height draw rods (AO219.) and change of height panel/panel finished ends (AO272.) separately.

To join 2 support panels of equal or unequal heights at a 90° angle, order 2-way 90° corner connector (C1221.) separately.

To join 3 support panels of equal or unequal heights at a 90° angle, order 3-way 90° corner connector (C1231.) separately.

Dimensions



Support Panel *continued*

Specification Information

Step 1.

C1151.

Step 2. Height

48 48" high

80 80" high

Step 3. Width

12 12" wide

24 24" wide

30 30" wide

36 36" wide

48 48" wide

Prices for Steps 1-3.

	12	24	30	36	48
C1151. 48	\$959	1190	1318	1432	1609
80	\$1285	1449	1598	1795	1983

Step 4. Surface Finish

HF inner tone light +\$0

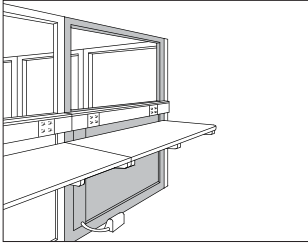
LT light tone +\$0

LU soft white +\$0

WN warm grey neutral +\$0

Floor Entry Support Panel

C1155.



Co/Struc® Structure

Product Information

Description

This panel has a vertical raceway for routing and concealing electrical wires and communication cables between the floor and a wire chase rail. It has a 48"-high recessed filler, hanger frames at 1" intervals to support components, and 6 knockouts: 3 at the floor level and 3 at 47" above floor level. It cannot accept the 3- or 4-circuit electrical system and cannot be used with an Action Office® Series 2 corner connector.

Notes

To supply power from both sides of panel, order wire chase rail (C1313. or C1314.) separately and mount 48" above floor.

For power feed to wire chase rail mounted at heights other than 48", field cut removable cover on 1 side of vertical raceway.

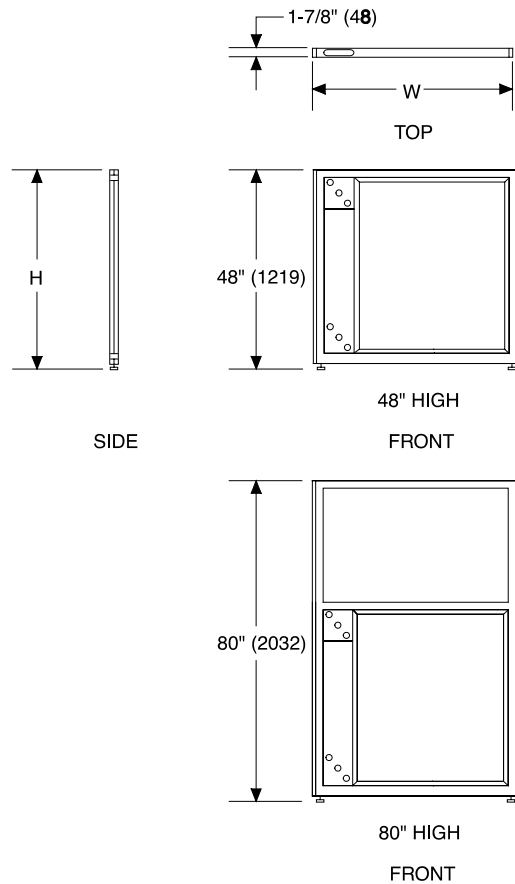
Order draw rods (AO215.) or seismic draw rods (CO215.) separately.

To attach panels of unequal height, order change of height draw rods (AO219.) and change of height panel/panel finished ends (AO272.) separately.

To join 2 support panels of equal or unequal heights at a 90° angle, order 2-way 90° corner connector (C1221.) separately.

To join 3 support panels of equal or unequal heights at a 90° angle, order 3-way 90° corner connector (C1231.) separately.

Dimensions



Floor Entry Support Panel *continued*

Specification Information

Step 1.

C1155.

Step 2. Height

48 48" high

80 80" high

Step 3. Width

24 24" wide

30 30" wide

48 48" wide

Prices for Steps 1-3.

	24	30	48
C1155. 48	\$1688	1869	2225
80	\$1990	2111	2481

Step 4. Surface Finish

HF inner tone light +\$0

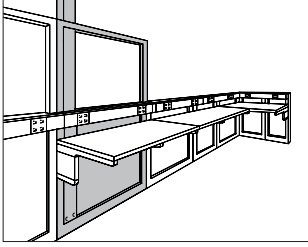
LT light tone +\$0

LU soft white +\$0

WN warm grey neutral +\$0

Ceiling Entry Support Panel

C1156.



Co/Struc® Structure

Product Information

Description

This panel has a vertical raceway for routing and concealing electrical wires and communication cables between the ceiling and a wire chase rail. It has a 48"-high recessed filler, hanger frames at 1" intervals to support components, and 6 knockouts: 3 at the floor level and 3 at 47" above floor level. It cannot accept the 3- or 4-circuit electrical system and cannot be used with an Action Office® Series 2 corner connector.

Notes

To carry different types of electrical power (e.g. regular and emergency power) or to carry electrical power and low-voltage cables, vertical raceway can be divided into separate internal raceways; contact local contractor.

To supply power from both sides of panel, order wire chase rail (C1313. or C1314.) separately and mount 48" above floor.

For power feed to wire chase rail mounted at heights other than 48", field cut removable cover on 1 side of vertical raceway.

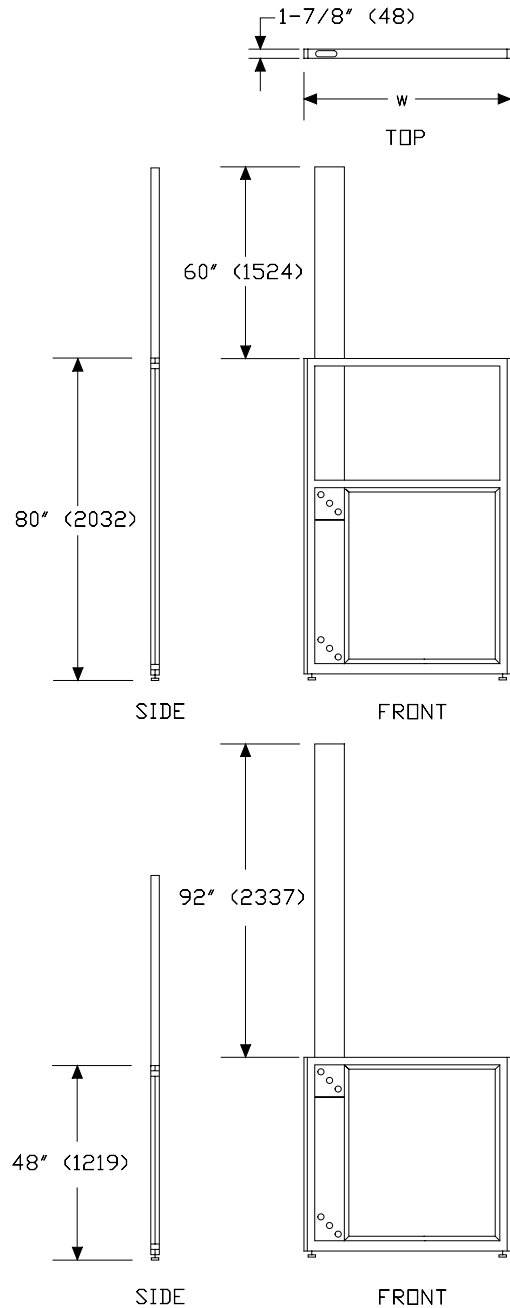
Order draw rods (AO215.) or seismic draw rods (CO215.) separately.

To attach panels of unequal height, order change of height draw rods (AO219.) and change of height panel/panel finished ends (AO272.) separately.

To join 2 support panels of equal or unequal heights at a 90° angle, order 2-way 90° corner connector (C1221.) separately.

To join 3 support panels of equal or unequal heights at a 90° angle, order 3-way 90° corner connector (C1231.) separately.

Dimensions



Ceiling Entry Support Panel

continued

Specification Information

Step 1.

C1156.

Step 2. Height

48 48" high

80 80" high

Step 3. Width

24 24" wide

30 30" wide

48 48" wide

Prices for Steps 1-3.

	24	30	48
C1156. 48	\$4088	4428	4450
80	\$4476	4674	4841

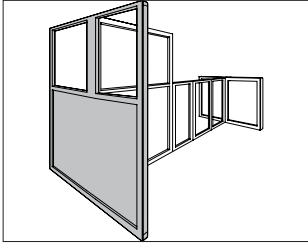
Step 4. Surface Finish

HF inner tone light +\$0

LT light tone +\$0

LU soft white +\$0

WN warm grey neutral +\$0



Co/Struc® Structure

Product Information

Description

The center point of this 60"-wide panel attaches at a 90° angle to other panels and provides support to a panel run. Each panel has adjustable glides, finished ends, and a 48"-high recessed filler and hanger frames at 1" intervals to support components. The panel has an area between the filler and the rear edge of an attached work surface for passage of wires or tubes.

The panel is available in 2 heights. The 80"-high panel supports a locker; 48"- and 80"-high panels support work surfaces and other 60"-wide components.

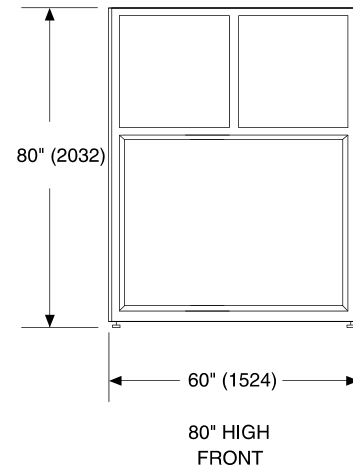
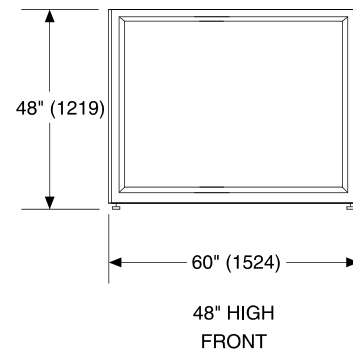
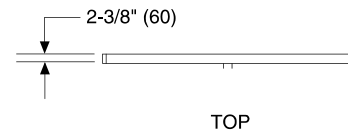
Notes

To support locker, order 2 adapter rails (C1610.) separately.

To connect to panel at 90° angle, order draw rod (AO215.) separately.

Order draw rods (AO215.) or seismic draw rods (CO215.) separately.

Dimensions



Terminal Panel *continued*

Specification Information

Step 1.

C1161.

Step 2. Height

4860 48" high

8060 80" high

Prices for Steps 1-2.

C1161. 4860 \$2484

8060 \$3053

Step 3. Surface Finish

HF inner tone light +\$0

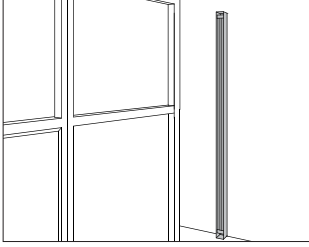
LT light tone +\$0

LU soft white +\$0

WN warm grey neutral +\$0

Panel Wall Start

C1211.



Co/Struc® Structure

Product Information

Description

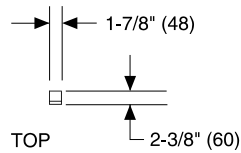
This connector attaches a support panel to a wall or column for a peninsula configuration.

Notes

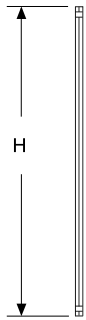
Order draw rod (A0215.) separately.

Package does not contain attachment hardware; designer must select fasteners appropriate for wall conditions and installer must field install.

Dimensions



SIDE



FRONT

Specification Information

Step 1.

C1211.

Step 2. Height

48 48" high

80 80" high

Prices for Steps 1-2.

C1211. 48 \$459

80 \$548

Step 3. Surface Finish

HF inner tone light +\$0

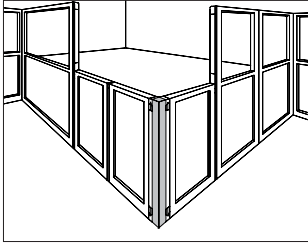
LT light tone +\$0

LU soft white +\$0

WN warm grey neutral +\$0

2-Way 90° Corner Connector

C1221.



Product Information

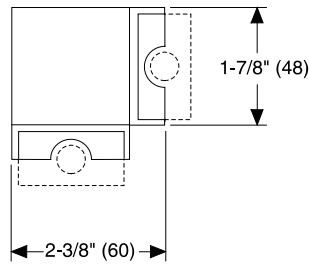
Description

This connector joins 2 support panels of equal or unequal heights at a 90° angle. It cannot be used with a panel run that supports Action Office® Series 2 work surfaces.

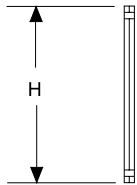
Notes

Order support panels (C1150., C1151., C1155., C1156.) separately.
 To create panel-to-panel connections of same height, order 2 draw rods (AO215.) or 2 seismic draw rods (CO215.) separately.
 To create panel-to-panel connection of unequal height or panel-to-corner connection of unequal height, order change-of-height draw rod (AO219.) to match lower height and finished-end change-of-height panel/panel (AO272.) separately.
 When connecting panels of unequal heights, specify height of connector to match height of higher panel.

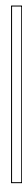
Dimensions



TOP



SIDE



FRONT

Specification Information

Step 1.

C1221.

Step 2. Height

48 48" high
80 80" high

Prices for Steps 1-2.

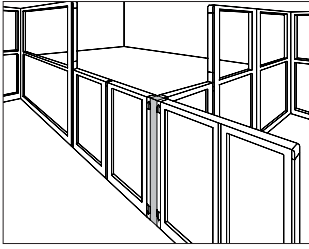
C1221. 48 \$459
80 \$549

Step 3. Surface Finish

HF inner tone light +\$0
LT light tone +\$0
LU soft white +\$0
WN warm grey neutral +\$0

3-Way 90° Corner Connector

C1231.



Co/Struc® Structure

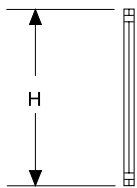
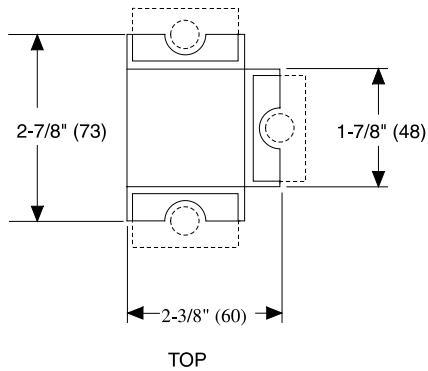
Product Information

Description
 This connector joins 3 support panels of equal or unequal heights at a 90° angle. It cannot be used with a panel run that supports Action Office® Series 2 work surfaces.

Notes

Order support panels (C1150., C1151., C1155., C1156.) separately.
 Order 3 draw rods (AO215.) or 3 seismic draw rods (CO215.) separately.
 When connecting panels of unequal heights, specify height of connector to match height of higher panel.

Dimensions



SIDE



FRONT

Specification Information

Step 1.

C1231.

Step 2. Height

- 48** 48" high
- 80** 80" high

Prices for Steps 1-2.

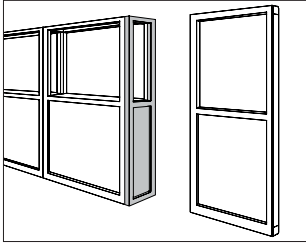
C1231. 48	\$481
80	\$592

Step 3. Surface Finish

HF	inner tone light	+\$0
LT	light tone	+\$0
LU	soft white	+\$0
WN	warm grey neutral	+\$0

Interface Connector

C1261.



Product Information

Description

This 11" wide connector joins a module to a support panel. It has a removable cover strip that conceals predrilled holes used for attaching connectors.

Notes

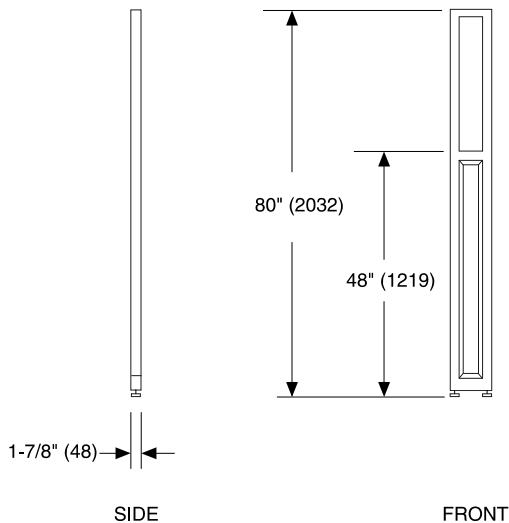
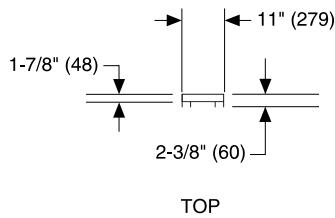
To complete shelf surface at end of module run, order shelf end cap (C1510.E or C1511.E) separately.

Order panel connector (C1281.) and 3 draw rods (AO215. or CO215.) separately.

To attach support panel to interface connector (C1261.) of unequal height, order the following products separately:

- Panel connector (C1281.)
- Change of height draw rod (AO219.)
- Change of height panel/panel finished end (AO272.)

Dimensions



Specification Information

Step 1.

C1261.

Step 2. Height

4812 48" high

8012 80" high

Prices for Steps 1-2.

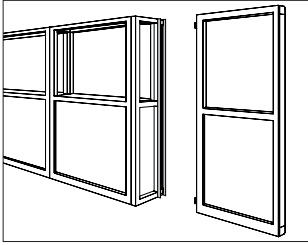
C1261. 4812	\$1168
8012	\$1423

Step 3. Surface Finish

HF	inner tone light	+\$0
LT	light tone	+\$0
LU	soft white	+\$0
WN	warm grey neutral	+\$0

Panel Connector

C1281.



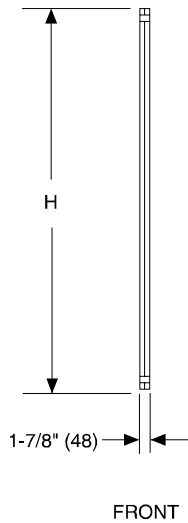
Co/Struc® Structure

Product Information

Description
This connector attaches a support panel to an interface connector.

Notes
Specify connector height to match panel height.
Order draw rods (AO215.) or seismic draw rods (CO215.) separately.

Dimensions



Specification Information

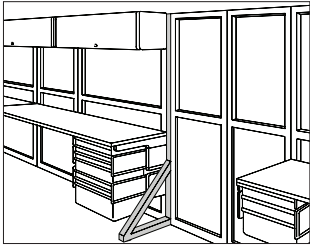
Step 1.
C1281.

Step 2. Height
48 48" high
80 80" high

Prices for Steps 1-2.
C1281. 48 \$107
80 \$135

Step 3. Surface Finish
HF inner tone light +\$0
LT light tone +\$0
LU soft white +\$0
WN warm grey neutral +\$0

Mid-Run Support, Single Sided C1272.



Product Information

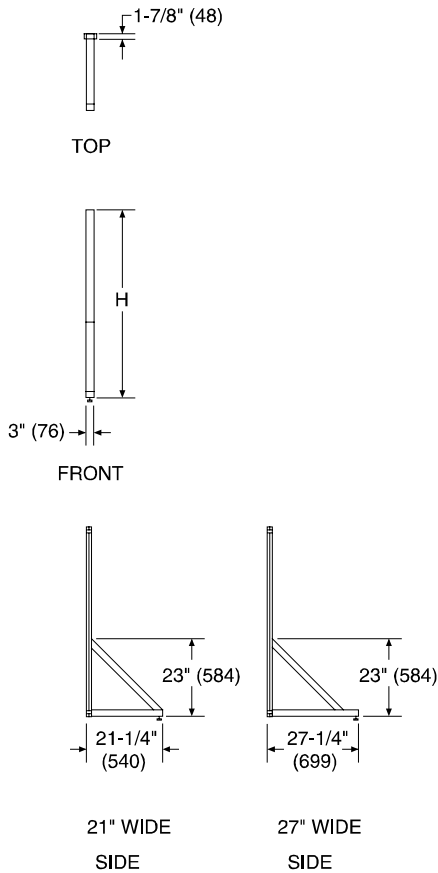
Description

This brace provides additional support to a straight panel run that has components hanging on 1 side. It includes a leveling glide.

Notes

To support 24"-deep work surface, specify 21"-wide mid-run support;
to support 30"-deep work surface, specify 27"-wide mid-run support.
Order draw rods (AO215.) or seismic draw rods (CO215.) separately.

Dimensions



Specification Information

Step 1.

C1272.

Step 2. Height

48 48" high
80 80" high

Step 3. Width

21 21" wide
27 27" wide

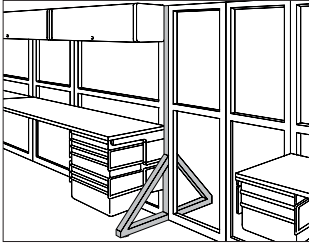
Prices for Steps 1-3.

	21	27
C1272. 48	\$832	920
80	\$1040	1082

Step 4. Surface Finish

HF	inner tone light	+\$0
LT	light tone	+\$0
LU	soft white	+\$0
WN	warm grey neutral	+\$0

Mid-Run Support, Double Sided C1273.



Co/Struc® Structure

Product Information

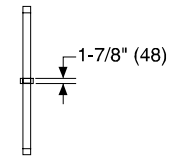
Description

This brace provides additional support to a straight panel run that has components hanging on both sides. It includes leveling glides.

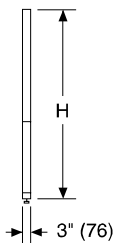
Notes

To support 24"-deep work surface, specify 41"-wide mid-run support;
 to support 30"-deep work surface, specify 53"-wide mid-run support.
 To support 24"-deep work surface on 1 side and 30"-deep work surface
 on other side, specify 53"-wide mid-run support.
 Order draw rods (AO215.) or seismic draw rods (CO215.) separately.

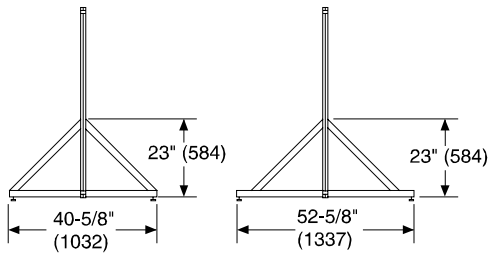
Dimensions



TOP



FRONT



41" WIDE
SIDE

53" WIDE
SIDE

Specification Information

Step 1.

C1273.

Step 2. Height

48 48" high
80 80" high

Step 3. Width

41 41" wide
53 53" wide

Prices for Steps 1-3.

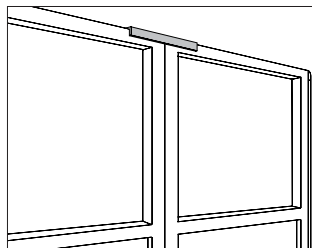
	41	53
C1273. 48	\$910	1058
80	\$1237	1380

Step 4. Surface Finish

HF	inner tone light	+\$0
LT	light tone	+\$0
LU	soft white	+\$0
WN	warm grey neutral	+\$0

Support Panel Top Cap

C1274.

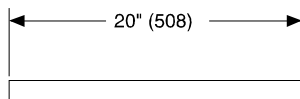


Product Information

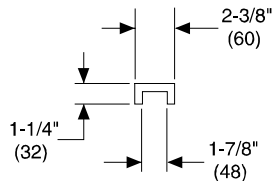
Description

This 20"-wide aluminum top cap attaches to 2 support panels in a straight connection. It provides additional support for a panel run.

Dimensions



SIDE



FRONT

Specification Information

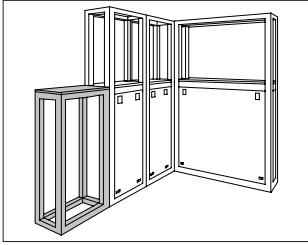
Step 1.

C1274.20 \$188

Step 2. Surface Finish

HF	inner tone light	+\$0
LT	light tone	+\$0
LU	soft white	+\$0
WN	warm grey neutral	+\$0

Co/Struc® Structure



Co/Struc® Structure

Product Information

Description

This 48"-high module attaches to a wall or connects to other freestanding modules. It encloses and organizes mechanical services. The module includes a top shelf and 4 adjustable glides. It has hanger frames at 1" intervals to support components.

Notes

Order access panels separately.

For L, T, or X configuration, order module corner connector separately:

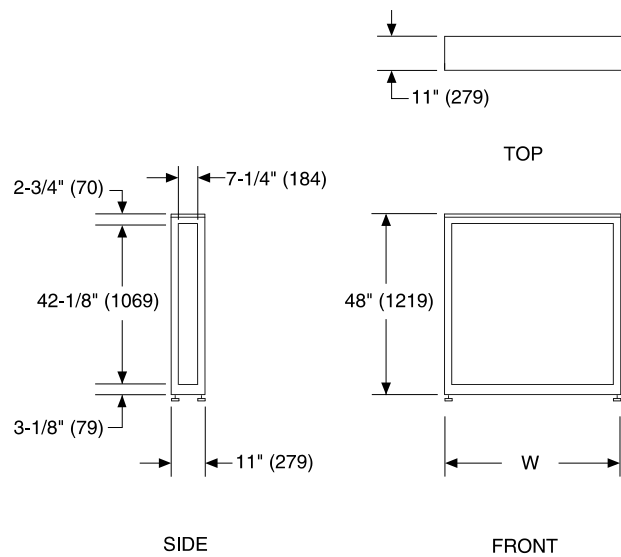
- 2-way connector (C1220.)
- 3-way connector (C1230.)

Order draw rods (AO215.) or seismic draw rods (CO215.) separately.

To attach modules of unequal height, order 2 change of height draw rods (AO219.) and 2 change of height panel/panel finished ends (AO272.) separately.

To enclose the end of a module when a terminal panel (C1122.) is not used, order the end closure assembly (C1451.) separately.

Dimensions



Specification Information

Step 1.

C1112.48

Step 2. Width

24	24" wide
30	30" wide
36	36" wide
48	48" wide

Prices for Steps 1-2.

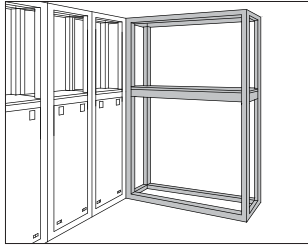
C1112.48	24	\$1749
	30	\$2057
	36	\$2099
	48	\$2289

Step 3. Surface Finish

JD	warm grey neutral Chemsurf®	+\$0
KH	light tone Chemsurf®	+\$0
KR	inner tone light Chemsurf®	+\$0
LE	soft white Chemsurf®	+\$0

Pass-Through Module

C1114.



Product Information

Description

This 80"-high module attaches to a wall or connects to other freestanding modules. It encloses and organizes mechanical services and provides pass-through access. The module includes an interior shelf that is field adjustable to 30", 36", or 48" high. It has hanger frames at 1" intervals to support components and 4 adjustable glides.

Notes

Order access panels separately.

For L, T, or X configuration, order module corner connector separately:

- 2-way connector (C1220.)
- 3-way connector (C1230.)

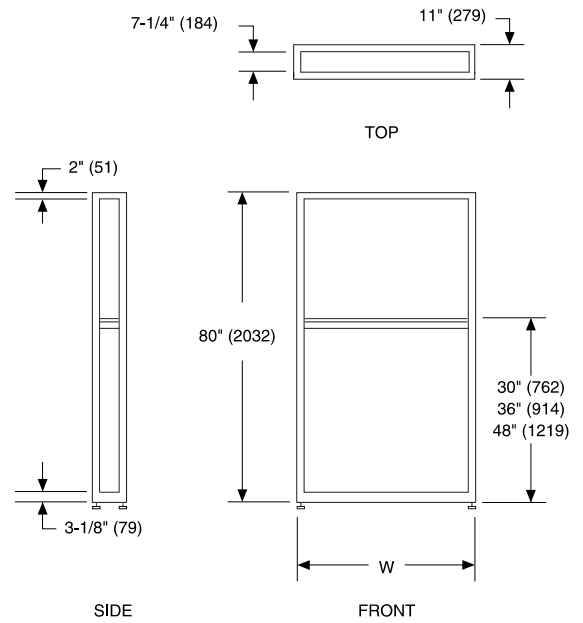
Order draw rods (AO215.) or seismic draw rods (CO215.) separately.

To attach modules of unequal height, order 2 change of height draw rods (AO219.) and 2 change of height panel/panel finished ends (AO272.) separately.

To enclose the top section of a pass-through module, order the end closure panel (C1450.) and 2 change of height panel/panel finished ends (AO272.) separately.

To enclose the end of a module when a terminal panel (C1122., C1124.) is not used, order the end closure assembly (C1451.) separately.

Dimensions



Specification Information

Step 1.

C1114.80

Step 2. Width

24	24" wide
30	30" wide
36	36" wide
48	48" wide

Prices for Steps 1-2.

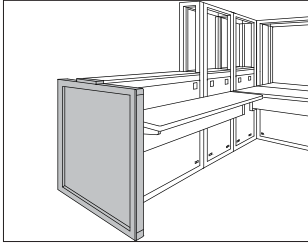
C1114.80	24	\$2484
	30	\$2744
	36	\$2914
	48	\$3093

Step 3. Surface Finish

JD	warm grey neutral Chemsurf®	+\$0
KH	light tone Chemsurf®	+\$0
KR	inner tone light Chemsurf®	+\$0
LE	soft white Chemsurf®	+\$0

Low Module Terminal Panel

C1122.



Product Information

Description

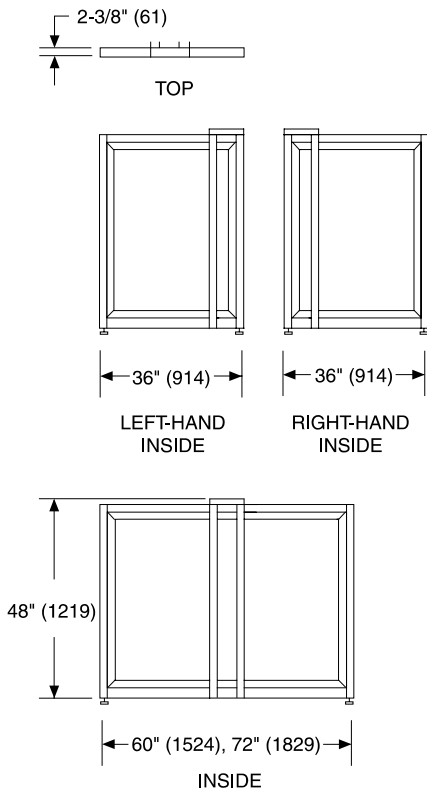
This 48"-high, hard-surfaced end panel attaches to a freestanding module. It supports a module run or divides space. The panel includes a top shelf end cap, adjustable glides, and finished ends, and comes in 3 widths.

The 60"- and 72"-wide panel supports hanging components.

Notes

Order draw rods (AO215.) or seismic draw rods (CO215.) separately.

Dimensions



Specification Information

Step 1.

C1122.48

Step 2. Width/Position

- 36L** 36" wide and left-hand panel
- 36R** 36" wide and right-hand panel
- 60** 60" wide
- 72** 72" wide

Prices for Steps 1-2.

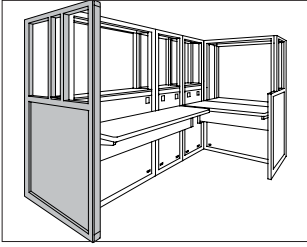
C1122.48 36L	\$2376
36R	\$2376
60	\$2911
72	\$4293

Step 3. Surface Finish

JD	warm grey neutral Chemsurf®	+\$0
KH	light tone Chemsurf®	+\$0
KR	inner tone light Chemsurf®	+\$0
LE	soft white Chemsurf®	+\$0

Pass-Through Module Terminal Panel

C1122.
C1124.



Co/Struc® Structure

Product Information

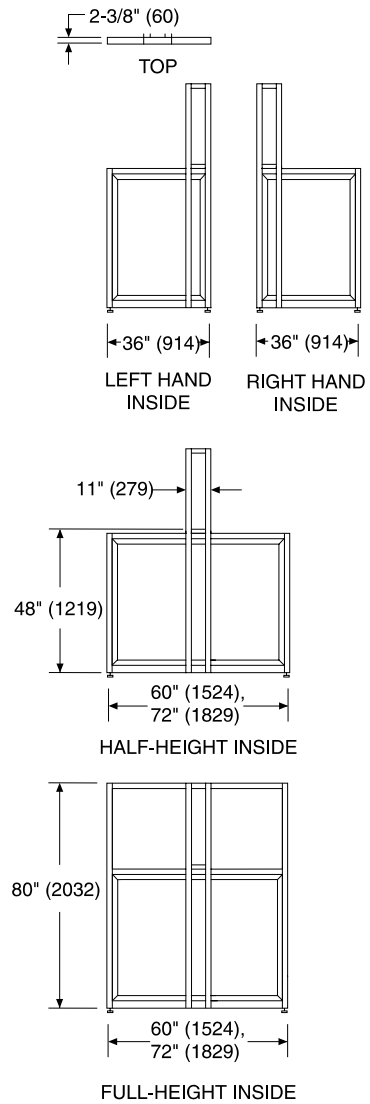
Description

This 80"-high, hard-surfaced end panel attaches to a freestanding module. It supports a module run or divides space. The panel is available in 3 widths. The 60"- and 72"-wide, full-height panel supports hanging components. Each panel has an interior shelf end cap, adjustable glides, and finished ends.

Notes

To attach terminal panel to module, order 2 draw rods (AO215.) or 2 seismic draw rods (CO215.) separately.

Dimensions



Pass-Through Module Terminal Panel *continued*

Specification Information

Step 1.

C112

Step 2. Height

2.80 full-height

4.80 half-height

Step 3. Width/Position

For full-height (2.80)

60 60" wide

72 72" wide

For half-height (4.80)

36L 36" wide and left-hand panel

36R 36" wide and right-hand panel

60 60" wide

72 72" wide

Prices for Steps 1-3.

C1122.80	60	\$3966
	72	\$4749

C1124.80	36L	\$2636
	36R	\$2636
	60	\$3647
	72	\$4495

Step 4. Surface Finish

JD warm grey neutral Chemsurf® +\$0

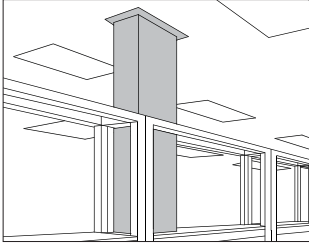
KH light tone Chemsurf® +\$0

KR inner tone light Chemsurf® +\$0

LE soft white Chemsurf® +\$0

Vertical Chase Cover

C1460.



Co/Struc® Structure

Product Information

Description

This 72"-high tower encloses services between the ceiling and the top shelf of a low module, the interior shelf of a pass-through module, or a 2- or 3-way module corner connector. It includes a ceiling trim plate. The cover cannot be used with a 4-way module corner connector.

Notes

Order module or connector separately:

- 2-way module corner connector (C1220.)
- 3-way module corner connector (C1230.)
- Low module (C1112.)
- Pass-through module (C1114.)

Dimensions

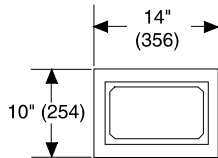
Specification Information

Step 1.

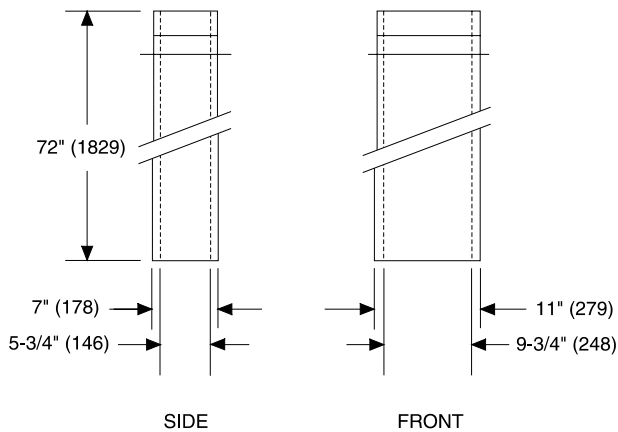
C1460. \$1108

Step 2. Surface Finish

HF	inner tone light	+\$0
LT	light tone	+\$0
LU	soft white	+\$0
WN	warm grey neutral	+\$0



TOP

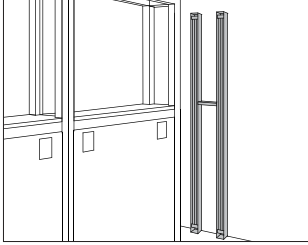


SIDE

FRONT

Module Wall Start

C1212.



Product Information

Description

This connector starts a peninsula configuration by attaching a low or pass-through module to a wall or column. It includes a shelf end cap.

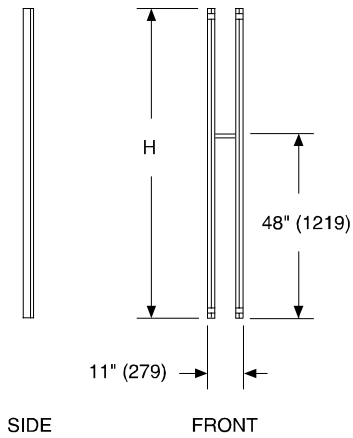
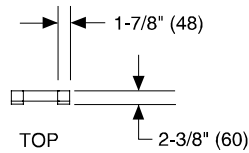
Notes

For low module, specify 48"-high wall start; for pass-through module, specify 80"-high wall start.

Order draw rods (AO215.) or seismic draw rods (CO215.) separately.

Package does not contain attachment hardware; designer must select fasteners appropriate for wall conditions and installer must field install.

Dimensions



Specification Information

Step 1.

C1212.

Step 2. Height

48 48" high

80 80" high

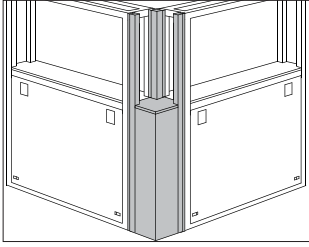
Prices for Steps 1-2.

C1212. 48	\$782
80	\$883

Step 3. Surface Finish

JD	warm grey neutral Chemsurf®	+\$0
KH	light tone Chemsurf®	+\$0
KR	inner tone light Chemsurf®	+\$0
LE	soft white Chemsurf®	+\$0

2-Way Module Corner Connector C1220.



Co/Struc® Structure

Product Information

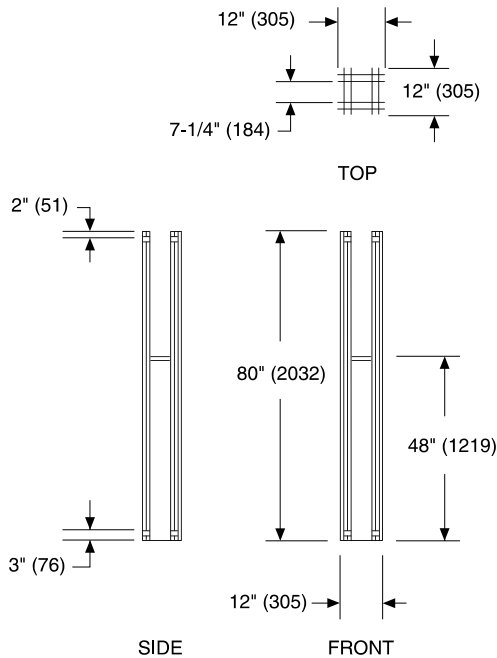
Description

This connector joins 2 modules of equal or unequal heights at a 90° angle. It includes a top shelf and filler panels to enclose the utility chase.

Notes

Order draw rods (AO215.) or seismic draw rods (CO215.) separately.
To attach module of unequal height, order 2 change of height draw rods (AO219.) and 2 change of height panel/panel finished ends (AO272.) separately.

Dimensions



Specification Information

Step 1.

C1220.

Step 2. Height

48 48" high
80 80" high

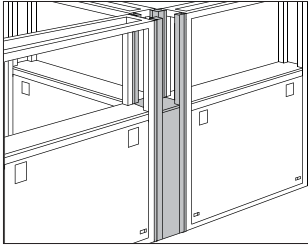
Prices for Steps 1-2.

C1220. 48	\$1817
80	\$2180

Step 3. Surface Finish

JD	warm grey neutral Chemsurf®	+\$0
KH	light tone Chemsurf®	+\$0
KR	inner tone light Chemsurf®	+\$0
LE	soft white Chemsurf®	+\$0

3-Way Module Corner Connector C1230.



Product Information

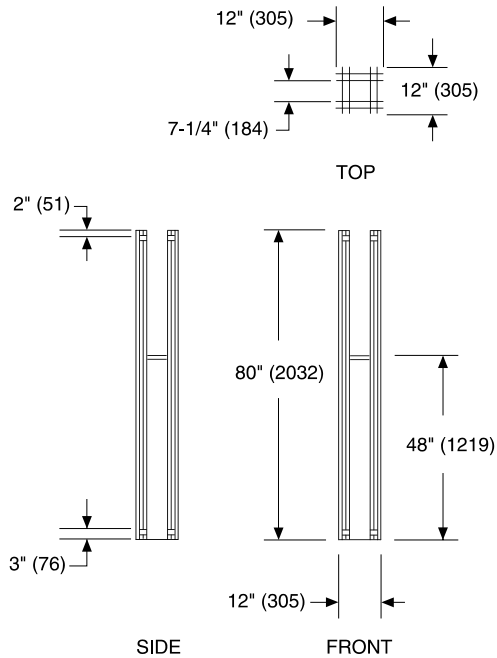
Description

This connector joins 3 modules of equal or unequal heights at 90° angles. It includes a top shelf and filler panels to enclose the utility chase.

Notes

Order draw rods (AO215.) or seismic draw rods (CO215.) separately. To attach module of unequal height, order 2 change of height draw rods (AO219.) and 2 change of height panel/panel finished ends (AO272.) separately.

Dimensions



Specification Information

Step 1.

C1230.

Step 2. Height

48 48" high
80 80" high

Prices for Steps 1-2.

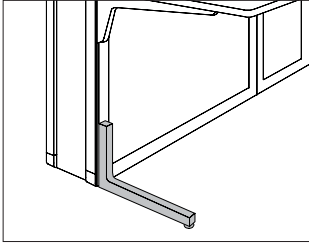
C1230. 48	\$1817
80	\$2180

Step 3. Surface Finish

JD	warm grey neutral Chemsurf®	+\$0
KH	light tone Chemsurf®	+\$0
KR	inner tone light Chemsurf®	+\$0
LE	soft white Chemsurf®	+\$0

Module Support Leg

C1275.



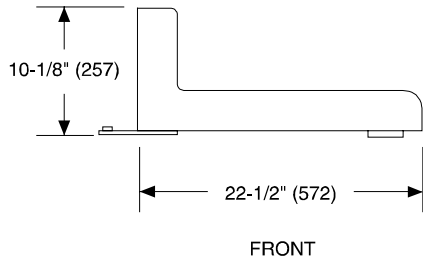
Co/Struc® Structure

Product Information

Description

This leg provides additional support for normal loading on a low or pass-through module. It has a leveling glide.

Dimensions



Specification Information

Step 1.

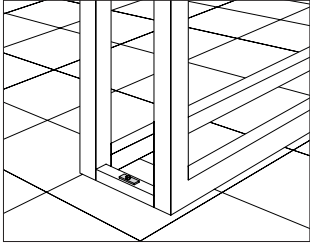
C1275. \$845

Step 2. Surface Finish

HF	inner tone light	+\$0
LT	light tone	+\$0
LU	soft white	+\$0
WN	warm grey neutral	+\$0

Anchor Support Kit

C1276.



Product Information

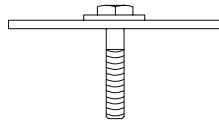
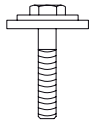
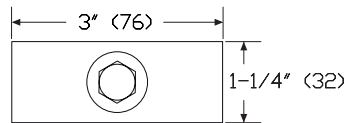
Description

This kit fastens a module to the floor. It includes a bolt, spacer, and plate. Package contains 10.

Notes

Anchor support kit is not acceptable for seismic anchoring.
Source anchor component separately.

Dimensions



Specification Information

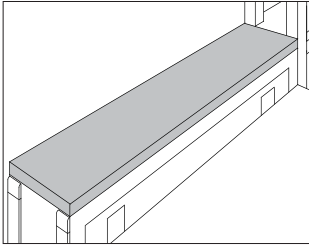
Step 1.

C1276.

\$417

Top Shelf

C1510.



Co/Struc® Structure

Product Information

Description

This 11"-deep shelf encloses the top of a low module service chase and provides a storage shelf. It has a Chemsurf® surface. The shelf can be drilled for fixtures or piping. It cannot attach to a pass-through module.

Dimensions



Specification Information

Step 1.

C1510.12

Step 2. Width

12	12" wide
24	24" wide
30	30" wide
36	36" wide
48	48" wide

Prices for Steps 1-2.

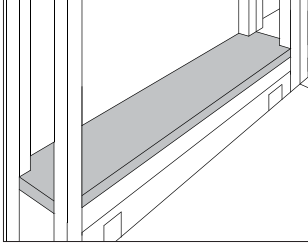
C1510.12	12	\$327
	24	\$438
	30	\$549
	36	\$576
	48	\$591

Step 3. Surface Finish

JD	warm grey neutral Chemsurf®	+\$0
KH	light tone Chemsurf®	+\$0
KR	inner tone light Chemsurf®	+\$0
LE	soft white Chemsurf®	+\$0

Interior Shelf

C1511.



Product Information

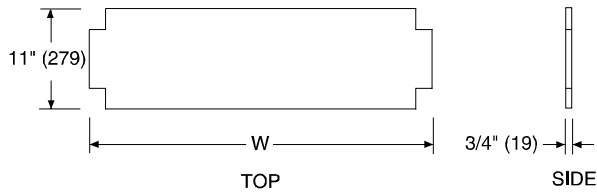
Description

This 11" deep shelf fits inside a pass-through module. It encloses the top of a 48"-high service chase and provides a storage shelf. The shelf has a Chemsurf® surface. It can be drilled for fixtures or piping. Attachment hardware is included.

Notes

To install shelf higher than 48", order interior shelf and support kit (C1515.) separately.

Dimensions



Specification Information

Step 1.

C1511.12

Step 2. Width

24	24" wide
30	30" wide
36	36" wide
48	48" wide

Prices for Steps 1-2.

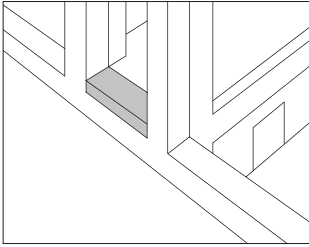
C1511.12 24	\$521
30	\$580
36	\$617
48	\$651

Step 3. Surface Finish

JD	warm grey neutral Chemsurf®	+\$0
KH	light tone Chemsurf®	+\$0
KR	inner tone light Chemsurf®	+\$0
LE	soft white Chemsurf®	+\$0

Shelf End Cap

C1510.
C1511.



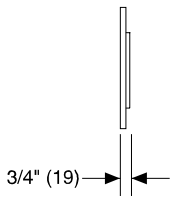
Co/Struc® Structure

Product Information

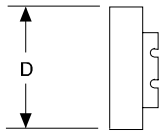
Description

This cap finishes the end of an interior or top shelf at the connection of a low or pass-through module and an interface connector. It has a Chemsurf® surface. Attachment hardware is included.

Dimensions



SIDE



TOP

Specification Information

Step 1.

C151

Step 2. Depth/Usage

- 1.E 7" deep for interior shelf
- 0.E 12" deep for top shelf

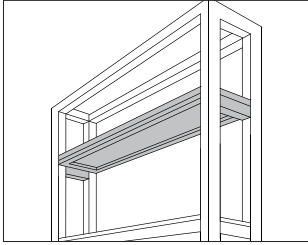
Prices for Steps 1-2.

C1511.E	\$290
C1510.E	\$283

Step 3. Surface Finish

JD	warm grey neutral Chemsurf®	+\$0
KH	light tone Chemsurf®	+\$0
KR	inner tone light Chemsurf®	+\$0
LE	soft white Chemsurf®	+\$0

Interior Shelf and Support Kit C1515.

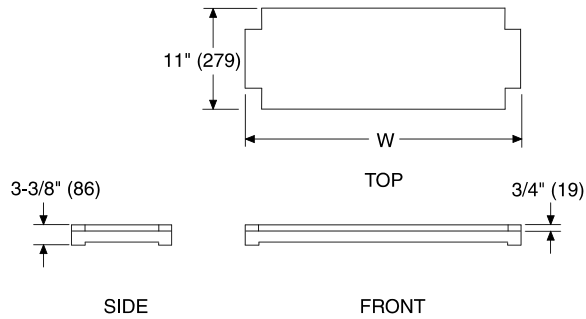


Product Information

Description

This 11" deep interior shelf is installed within a pass-through module. Attachment hardware is included.

Dimensions



Specification Information

Step 1.

C1515.12

Step 2. Width

- 24** 24" wide
- 30** 30" wide
- 36** 36" wide
- 48** 48" wide

Prices for Steps 1-2.

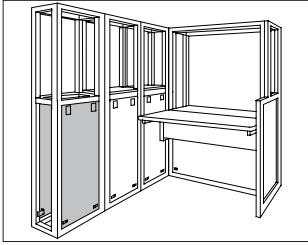
C1515.12 24	\$1023
30	\$1105
36	\$1229
48	\$1401

Step 3. Surface Finish

JD	warm grey neutral Chemsurf®	+\$0
KH	light tone Chemsurf®	+\$0
KR	inner tone light Chemsurf®	+\$0
LE	soft white Chemsurf®	+\$0

Access Panel Assembly

C1412.



Co/Struc® Structure

Product Information

Description

This assembly of 2 access panels attaches to a freestanding module and encloses both sides of the service chase. The panels mount in a flush or recessed position and are removable for service access. Each panel has 2 knockouts for standard duplex electrical outlets. Brackets and mounting hardware are included. Shipped knocked down.

The assembly has 2 30"- or 2 42"-high access panels.

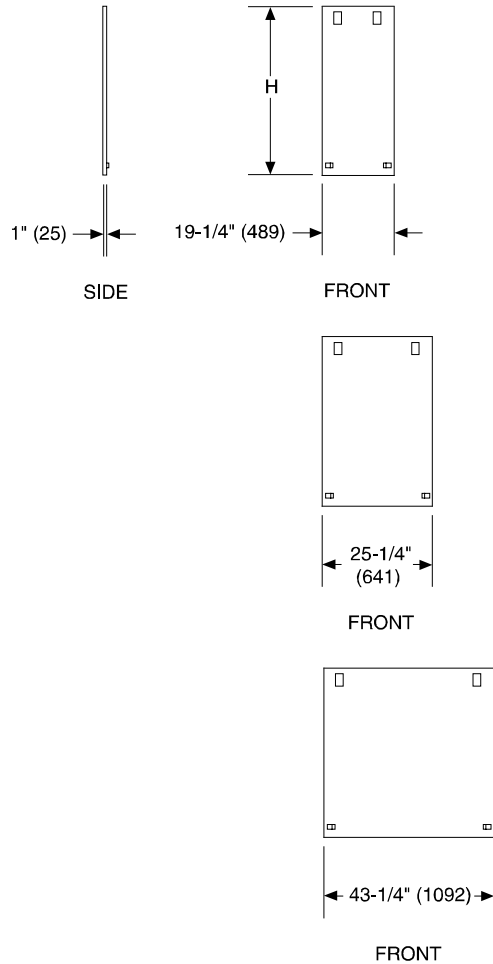
Notes

Order low module (C1112.) or pass-through module (C1114.) separately.

For interior shelf mounted at 36" on pass-through module, specify 30"-high assembly.

For interior shelf mounted at 48" on pass-through module, specify 42"-high assembly.

Dimensions



Access Panel Assembly *continued*

Specification Information

Step 1.

C1412.

Step 2. Height

30 30" high

42 42" high

Step 3. Width

19 19¹/₄" wide

25 25¹/₄" wide

31 31¹/₄" wide

43 43¹/₄" wide

Prices for Steps 1-3.

	19	25	31	43
C1412. 30	\$821	957	1001	1032
42	\$922	1075	1175	1293

Step 4. Surface Finish

HF inner tone light +\$0

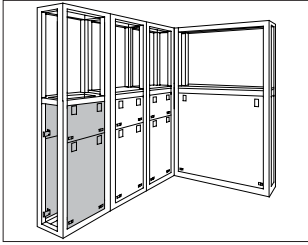
LT light tone +\$0

LU soft white +\$0

WN warm grey neutral +\$0

Combination Access Panel Assembly

C1422.



Co/Struc® Structure

Product Information

Description

This assembly of 4 access panels attaches to a freestanding module and encloses both sides of the service chase. The panels mount in a flush or recessed position and are removable for service access. Each panel has 2 knockouts (4 per module side) for standard duplex electrical outlets. Brackets and mounting hardware are included.

Shipped knocked down.

The 24"-high assembly has 4 12"-high access panels; the 42"-high assembly has 2 12"- and 2 30"-high access panels.

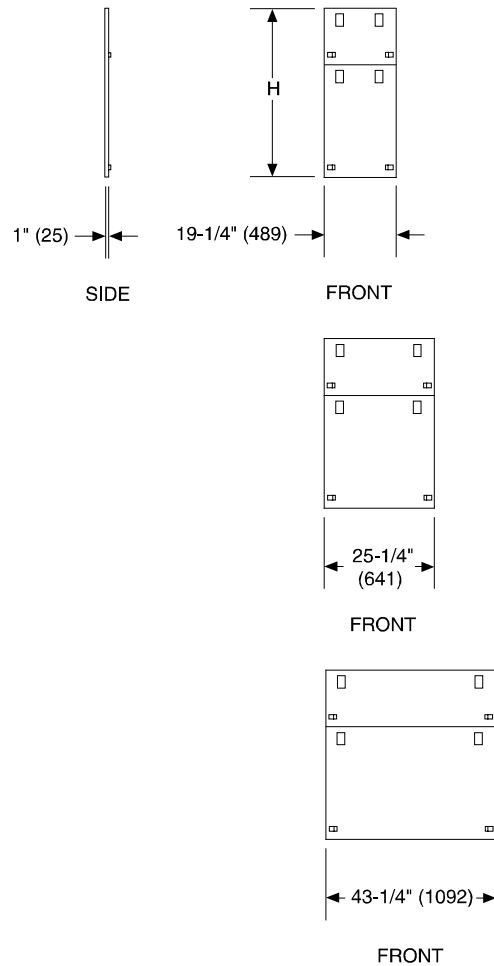
Notes

Order low module (C1112.) or pass-through module (C1114.) separately.

For interior shelf mounted 30" high on pass-through module, specify 24"-high assembly.

For interior shelf mounted 48" high on pass-through module, specify 42"-high assembly.

Dimensions



Combination Access Panel Assembly *continued*

Specification Information

Step 1.

C1422.

Step 2. Height

24 24" high

42 42" high

Step 3. Width

19 19¹/₄" wide

25 25¹/₄" wide

31 31¹/₄" wide

43 43¹/₄" wide

Prices for Steps 1-3.

	19	25	31	43
C1422. 24	\$1621	1700	1779	1845
42	\$1724	1913	2124	2241

Step 4. Surface Finish

HF inner tone light +\$0

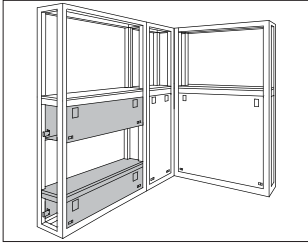
LT light tone +\$0

LU soft white +\$0

WN warm grey neutral +\$0

Low Cup Sink Access Panel Assembly

C1432.



Co/Struc® Structure

Product Information

Description

This assembly attaches to a pass-through module and creates a low cup sink assembly in the lower service chase. It encloses both sides of the service chase and has removable panels for service access. The assembly includes 4 12"-high access panels, 1 shelf support frame, 1 interior shelf, 1 bottom chase cover, and attachment hardware. Each 12"-high panel has 2 knockouts for standard duplex electrical outlets. The assembly has a 15 1/4" space for a cup sink; this divides the service chase into 2 12" segments. Shipped knocked down.

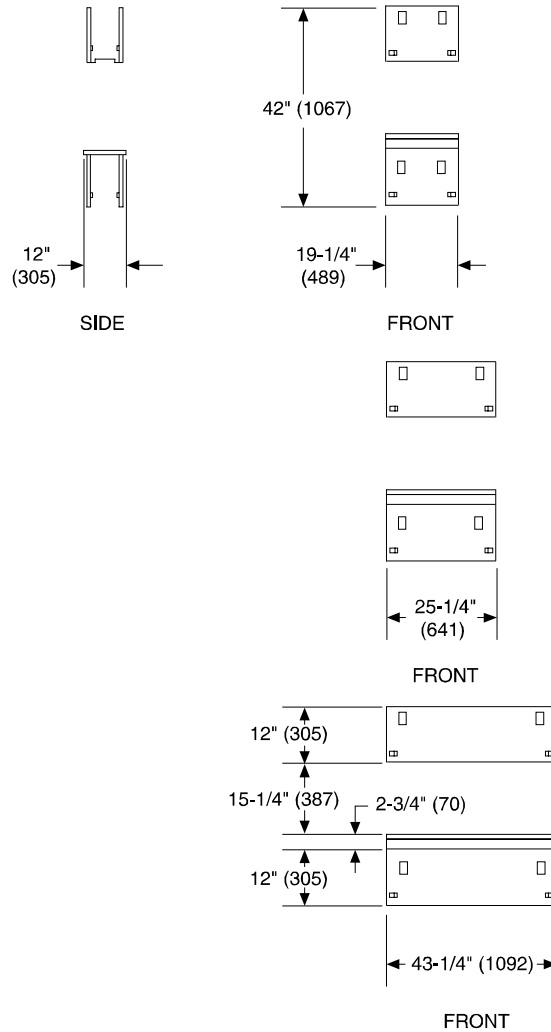
Notes

Order pass-through module (C1114.) separately.

To enclose service chase of adjacent module, order center closure panel (C1455.1607) separately.

Customer must order sink and fixtures separately and field cut interior shelf to hold sink.

Dimensions



Low Cup Sink Access Panel Assembly *continued*

Specification Information

Step 1.

C1432.42

Step 2. Width

19 19¹/₄" wide

25 25¹/₄" wide

43 43¹/₄" wide

Prices for Steps 1-2.

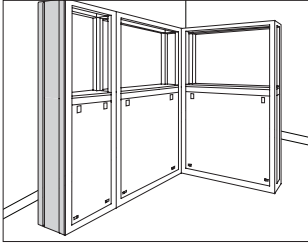
C1432.42	19	\$2492
	25	\$2721
	43	\$3008

Step 3. Surface Finish

JD	warm grey neutral Chemsurf®	+\$0
KH	light tone Chemsurf®	+\$0
KR	inner tone light Chemsurf®	+\$0
LE	soft white Chemsurf®	+\$0

End Closure Assembly

C1451.



Co/Struc® Structure

Product Information

Description

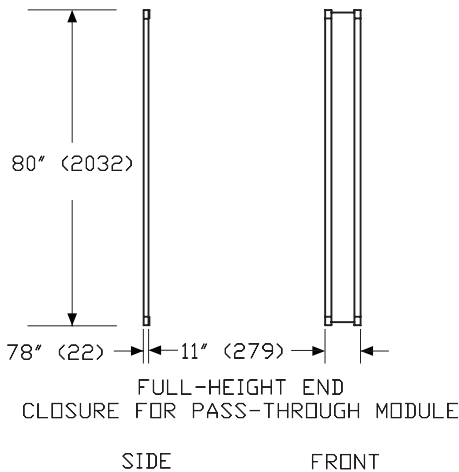
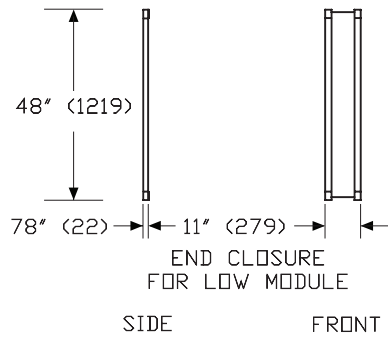
This assembly encloses the end of a module when a terminal panel is not used.

The end closure for a low module has a 48"-high panel and 2 48"-high end caps. The full-height end closure for a pass-through module has an 80"-high panel and 2 80"-high end caps.

Notes

Order low module (C1112.) or pass-through module (C1114.) separately.

Dimensions



Specification Information

Step 1.

C145

Step 2. Type

1.4811 end closure for low module

1.8011 full-height end closure for pass-through module

Prices for Steps 1-2.

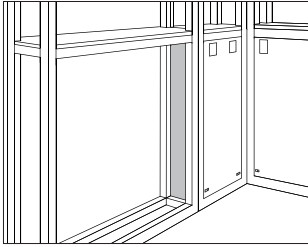
C1451.4811	\$385
C1451.8011	\$504

Step 3. Surface Finish

HF	inner tone light	+\$0
LT	light tone	+\$0
LU	soft white	+\$0
WN	warm grey neutral	+\$0

Center Closure Panel

C1455.



Product Information

Description

This panel attaches to the inside of a module run and encloses the end of a service chase. Attachment hardware is included.

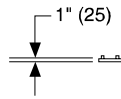
Notes

To enclose service chase on either end of cup sink opening or 14"-high openings created by partial chases at panel connections, order 16"-high panel.

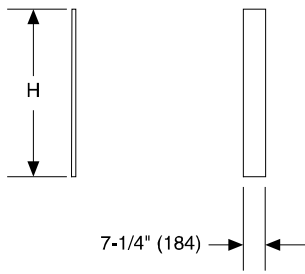
To enclose lower interior module chase, order 43"-high panel.

To enclose upper section of pass-through module, order 32"-high panel.

Dimensions



TOP



SIDE

FRONT

Specification Information

Step 1.

C1455.

Step 2. Height

1607 16" high

3207 32" high

4307 43" high

Prices for Steps 1-2.

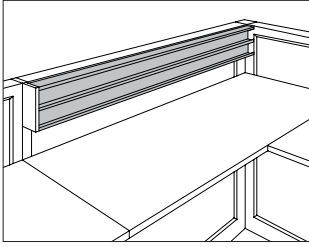
C1455. 1607	\$867
3207	\$879
4307	\$883

Step 3. Surface Finish

HF	inner tone light	+\$0
LT	light tone	+\$0
LU	soft white	+\$0
WN	warm grey neutral	+\$0

Wire Chase Rail

C1313.
C1314.



Co/Struc® Structure

Product Information

Description

This aluminum rail attaches to 1 side of an equal-width module or support panel and provides 1 or 2 cable management channels. It cannot be used with an Action Office® Series 1 or 2 connector.

Notes

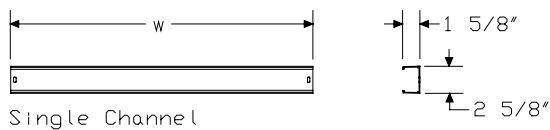
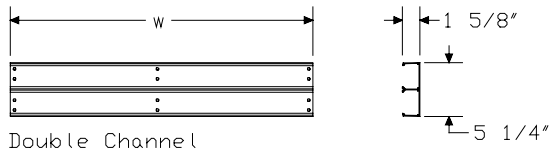
Order connection components separately:

- Wire chase rail bridge (C1326. or C1327.) to connect across mid-run support panel or back side of 3-way connector
- 90° inside corner wire chase rail (C1321. or C1322.) to connect around 90° inside corner

Order wire chase rail covers (C1315., C1316., C1317., or C1318.) and rail end cap (C1331. or C1332.) separately.

Receptacles must be customer supplied.

Dimensions



Specification Information

Step 1.

C131

Step 2. Type

3. double channel
4. single channel

Step 3. Width

- 24 24" wide
- 30 30" wide
- 36 36" wide
- 42 42" wide A
- 48 48" wide
- 60 60" wide
- 72 72" wide
- 96 96" wide

Prices for Steps 1-3.

C1313. 24	\$160
30	\$204
36	\$259
42	\$302
48	\$316
60	\$398
72	\$472
96	\$628

C1314. 24	\$84
30	\$107
36	\$134
42	\$151
48	\$160
60	\$202
72	\$237
96	\$316

Step 4. Surface Finish

For double channel (3.) with 24" wide (24)

AN clear anodized aluminum	+\$0
-----------------------------------	------

For double channel (3.) with 30" wide (30)

AN clear anodized aluminum	+\$0
-----------------------------------	------

For double channel (3.) with 36" wide (36)

AN clear anodized aluminum	+\$0
-----------------------------------	------

Wire Chase Rail *continued*

For double channel (3.) with 42" wide (42)
AN clear anodized aluminum +\$0

For double channel (3.) with 48" wide (48)
AN clear anodized aluminum +\$0

For double channel (3.) with 60" wide (60)
AN clear anodized aluminum +\$0

For double channel (3.) with 72" wide (72)
AN clear anodized aluminum +\$0

For double channel (3.) with 96" wide (96)
AN clear anodized aluminum +\$0

For single channel (4.) with 24" wide (24)
AN clear anodized aluminum +\$0

For single channel (4.) with 30" wide (30)
AN clear anodized aluminum +\$0

For single channel (4.) with 36" wide (36)
AN clear anodized aluminum +\$0

For single channel (4.) with 42" wide (42)
AN clear anodized aluminum +\$0

For single channel (4.) with 48" wide (48)
AN clear anodized aluminum +\$0

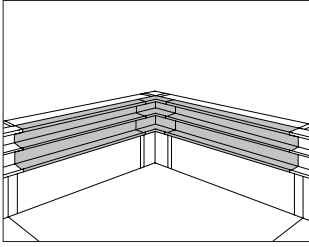
For single channel (4.) with 60" wide (60)
AN clear anodized aluminum +\$0

For single channel (4.) with 72" wide (72)
AN clear anodized aluminum +\$0

For single channel (4.) with 96" wide (96)
AN clear anodized aluminum +\$0

Wire Chase Rail, 90° Inside
Corner

C1321.
C1322.



Co/Struc® Structure

Product Information

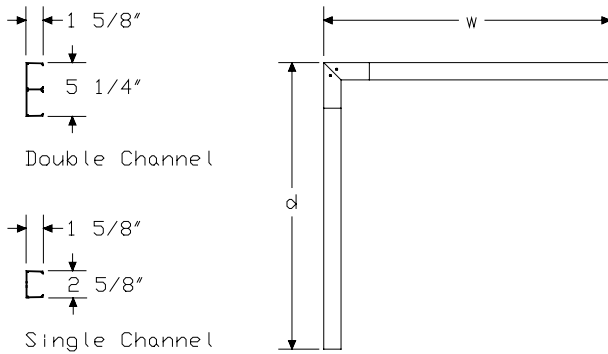
Description

This aluminum rail attaches to 2 modules or support panels at a 90° inside corner. It cannot be used with an Action Office® Series 1 or 2 connector.

Notes

Rail includes 2 6" mitered corner covers. Order wire chase rail covers to cover the remaining length of each rail (C1315., C1316., C1317., or C1318.) separately.

Dimensions



Specification Information

Step 1.

C132

Step 2. Type

1. double channel
2. single channel

Step 3. Width

- 24** 24" wide
- 30** 30" wide
- 48** 48" wide

Step 4. Depth

For 24" wide (24)

- 24** 24" deep
- 30** 30" deep
- 48** 48" deep

For 30" wide (30)

- 30** 30" deep
- 48** 48" deep

For 48" wide (48)

- 48** 48" deep

Prices for Steps 1-4.

	24	30	48
C1321. 24	\$550	592	706
30	—	\$627	742
48	—	—	\$856
C1322. 24	\$369	398	454
30	—	\$416	472
48	—	—	\$532

Step 5. Surface Finish

For double channel (1.) with 30" wide (30) with 48" deep (48)

AN clear anodized aluminum +\$0

For double channel (1.) with 48" wide (48) with 48" deep (48)

AN clear anodized aluminum +\$0

For single channel (2.) with 24" wide (24) with 24" deep (24)

AN clear anodized aluminum +\$0

Wire Chase Rail, 90° Inside Corner *continued*

For single channel (2.) with 24" wide (24) with 30" deep (30)

AN	clear anodized aluminum	+ \$0
-----------	-------------------------	-------

For single channel (2.) with 24" wide (24) with 48" deep (48)

AN	clear anodized aluminum	+ \$0
-----------	-------------------------	-------

For single channel (2.) with 30" wide (30) with 30" deep (30)

AN	clear anodized aluminum	+ \$0
-----------	-------------------------	-------

For single channel (2.) with 30" wide (30) with 48" deep (48)

AN	clear anodized aluminum	+ \$0
-----------	-------------------------	-------

For single channel (2.) with 48" wide (48) with 48" deep (48)

AN	clear anodized aluminum	+ \$0
-----------	-------------------------	-------

For double channel (1.) with 24" wide (24) with 24" deep (24)

AN	clear anodized aluminum	+ \$0
-----------	-------------------------	-------

For double channel (1.) with 24" wide (24) with 30" deep (30)

AN	clear anodized aluminum	+ \$0
-----------	-------------------------	-------

For double channel (1.) with 24" wide (24) with 48" deep (48)

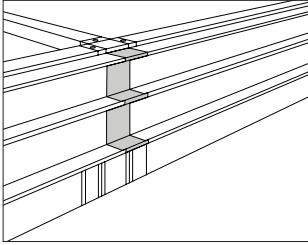
AN	clear anodized aluminum	+ \$0
-----------	-------------------------	-------

For double channel (1.) with 30" wide (30) with 30" deep (30)

AN	clear anodized aluminum	+ \$0
-----------	-------------------------	-------

Wire Chase Rail Bridge

C1326.
C1327.



Co/Struc® Structure

Product Information

Description

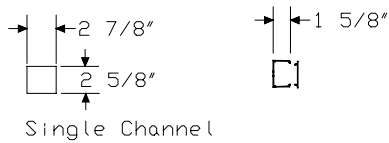
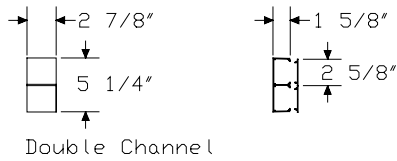
This bridge joins wire chase rails across a mid-run support panel or on the back side of a 3-way 90° connector. It allows the continuation of a cable management channel and includes a blank cover. The bridge cannot be used with an Action Office® Series 1 or 2 connector.

Notes

Order 1 of the following products separately:

- 3-way 90° connector (C1231.)
- Mid-run support (C1272. or C1273.)

Dimensions



Specification Information

Step 1.

C132

Step 2. Type

- 6. double channel
- 7. single channel

Prices for Steps 1-2.

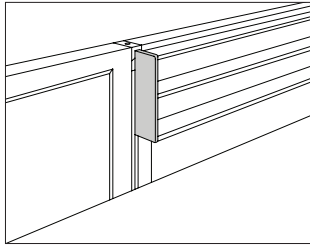
C1326.	\$141
C1327.	\$141

Step 3. Surface Finish

AN	clear anodized aluminum	+\$0
-----------	-------------------------	------

Wire Chase Rail End Cap

C1331.
C1332.

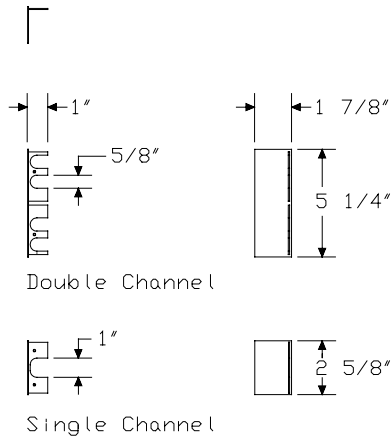


Product Information

Description

This end cap finishes the exposed end of a wire chase rail. Package contains 2.

Dimensions



Specification Information

Step 1.

C133

Step 2. Type

1. double channel
2. single channel

Prices for Steps 1-2.

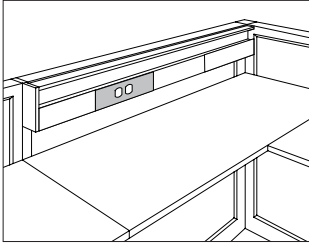
C1331.	\$127
C1332.	\$127

Step 3. Surface Finish

AN	clear anodized aluminum	+\$0
-----------	-------------------------	------

Wire Chase Rail Cover

C1315.
C1316.
C1317.
C1318.



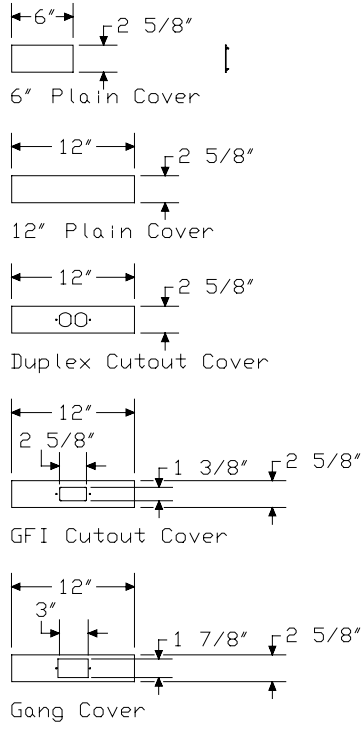
Co/Struc® Structure

Product Information	
Description	This cover encloses a wire chase rail.
Notes	Specify type to cover wire chase rail's power and/or data outlets. Specify covers in 6"- or 12"-wide increments to match rail width.
Dimensions	

Specification Information	
Step 1.	C131
Step 2. Type	<ul style="list-style-type: none"> 5.06 6"-wide plain cover 5.12 12"-wide plain cover 6. duplex cutout cover 7. GFI cutout cover 8. gang cover

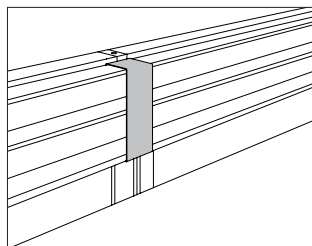
Prices for Steps 1-2.	
C1315.06	\$32
C1315.12	\$39
C1316.	\$42
C1317.	\$44
C1318.	\$44

Step 3. Surface Finish	
AN	clear anodized aluminum +\$0



Wire Chase Overlay

C1358.



Product Information

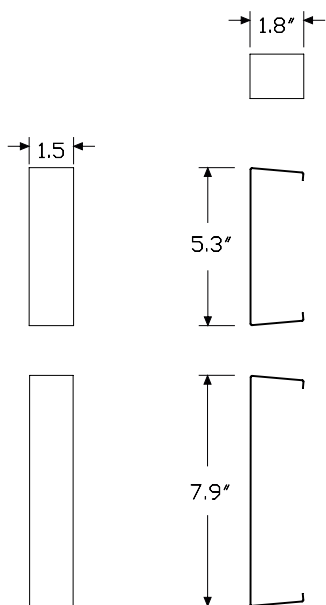
Description

This 1½"-wide cover wraps around the outside of a wire chase channel to cover gaps between adjoining channels and covers.

Notes

Order wire chase and covers separately.

Dimensions



Specification Information

Step 1.

C1358.

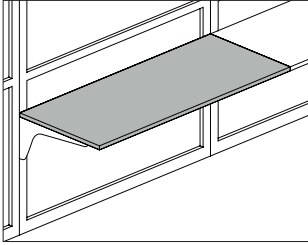
Step 2. Type

D double channel

T triple channel

Prices for Steps 1-2.

C1358. D	\$39
T	\$57



Product Information

Description

This work surface hangs from a panel, module, or wall strips and is available as laminate or solid surface. The work surface, when supported by work surface supports has a top-loading capacity of up to 200 pounds. The solid surface option, when supported by sink products has a top-loading capacity of 250 pounds. Appropriate sink products and work surface supports must be specified and ordered separately.

Notes

For laminate option (L), order standard duty work surface supports (C2140.S) separately.

For solid surface option (K), order 1 of the following products separately:

- ADA sink support, systems mounted (C2520.)
- Sink module (C2512.)
- Sink unit for storage (C2513.)
- Work surface support, standard duty (C2140.S)

Work surface with solid surface option (K) will not accept a storage case (C5040.) without storage case leg (C5050.).

To support a 30" deep work surface installed on wall strips, a storage case (C5040.) with storage case leg (C5050.) is required. Order separately.

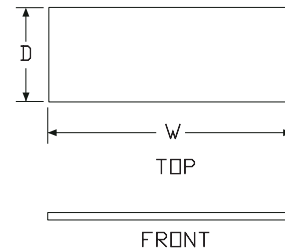
Work surface with solid surface option (K) has a matte gloss level and includes a backsplash.

When hanging work surface with laminate option (L) from wall strips, order recommended backsplash (C2910.) separately.

Order optional products separately:

- Drawer bearer package (CO228)
- Gripper package (CO266), for laminate (L) option only
- Keyboard/Mouse Support, Adjustable (Y7710.)
- Lockable drawer bearer (CO396)

Dimensions



Standard-Duty Work Surface

continued

Specification Information

Step 1.

C2142.

Step 2. Depth

24	24" deep
30	30" deep

Step 3. Width

24	24" wide
30	30" wide
36	36" wide
48	48" wide
60	60" wide
72	72" wide
96	96" wide

Step 4. Material

For 24" wide (24), 30" wide (30), 36" wide (36), 48" wide (48), or 60" wide (60)

L	high - pressure laminate
K	solid surface

For 72" wide (72) or 96" wide (96)

L	high - pressure laminate
----------	--------------------------

Prices for Steps 1-4.

	L	K
C2142. 24 24	\$154	1891
30	\$190	2195
36	\$255	2754
48	\$340	3115
60	\$494	3729
72	\$620	—
96	\$794	—
30 24	\$163	2117
30	\$235	2458
36	\$296	3079
48	\$472	3471
60	\$669	4150
72	\$823	—
96	\$984	—

Step 5. Finish

For high - pressure laminate (L)

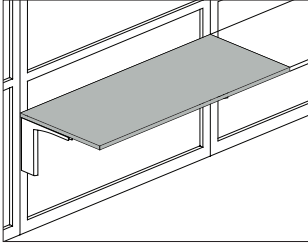
HF	inner tone light	+\$0
LT	light tone	+\$0
LU	soft white	+\$0
WN	warm grey neutral	+\$0

For solid surface (K)

CQ	glacier white	+\$0
QB	bisque	+\$0
1S	savannah	+\$52
1U	sahara	+\$52
4I	sandstone	+\$52
58	cameo white	+\$50
ANC	antarctica	+\$50
IQ	aurora	+\$52
OQ	silt	+\$52
SVG	silver gray	+\$50
CRT	concrete	+\$200
DVC	dove	+\$200
SFC	seafoam	+\$200

Heavy-Duty Work Surface

C2141.



Co/Struc® Work Surfaces

Product Information

Description

This work surface is supported by heavy duty work surface supports, allowing it to hang from a panel, module, or wall strips. It has a top-loading capacity of up to 400 pounds. It can hold drawers and includes drawer bearers. Appropriate heavy duty work surface supports must be specified and ordered separately.

The work surface can be specified as laminate, Chemsurf®, stainless steel, Corian®, or phenolic resin. A 51"-wide surface has a 3" overhang on the left or right side to fill the gap created by a mid-run support, C-series 3-way connector, or interface connector. A 96"-wide surface includes 1 additional support bracket. The 24"-wide surface cannot accept components.

Notes

Order heavy duty work surface supports (C2140.H, C2140.W, C214.R) separately.

For stainless steel option (S), order 1 of the following products separately:

- Heavy duty work surface support, with component adapter (C2140.W)
- Heavy duty work surface support, component adapter ready (C2140.R)

Work surface with phenolic resin option (P) or Corian option (K) must use work surface supports (C2140.) heavy duty, with component adaptor (W) or heavy duty, component adaptor ready (R) options.

Finish color on phenolic resin option (P) is black.

Work surface with solid surface option (K) has a matte gloss level.

Work surface with phenolic resin option (P) or Corian option (K) includes a backsplash.

Work surface with phenolic resin option (P) is 1" thick and includes spacers for transitioning to adjacent, non-resin surfaces.

To support a 30" deep work surface installed on wall strips, a storage case (C5040.) with storage case leg (C5050.) is required. Order separately.

When hanging a work surface with laminate option (L) or Chemsurf® option (C) from wall strips, order recommended backsplash (C2910.) separately.

Work surface supports the following quantities of drawers, C frames, or storage cabinets:

- 24" wide: 1 drawer
- 30", 36" wide: 1 drawer, 1 C frame or 1 storage cabinet
- 48", 51", and 60" wide: 2 drawers, 2 C frames, or 2 storage cabinets
- 72" wide: 3 drawers, 3 C frames, or 3 storage cabinets
- 96" wide: 4 drawers, 4 C frames, or 4 storage cabinets

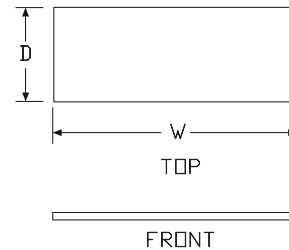
24"-wide work surface will not accept a storage case (C5040.) or storage unit (C5010.) or C frame (C0205).

Work surface with phenolic resin option (P) or stainless steel option (S) will not accept a keyboard/mouse support, adjustable (Y7710.).

Order optional products separately:

- Drawer (C0207, C0208, or C0209)
- Keyboard tray (Y7710.), except for stainless steel (S) and phenolic resin (P) surfaces
- Pencil drawer (A0480.)
- Storage case (C5040.) and adapter rail (C1610.), except for phenolic resin (P) surfaces
- Storage unit (C5010.) and component adaptor (C2193.)

Dimensions



Heavy-Duty Work Surface *continued*

Specification Information

Step 1.

C2141.

Step 2. Depth

24 24" deep
30 30" deep

Step 3. Width

24 24" wide
30 30" wide
36 36" wide
48 48" wide
5L 51" wide, left overhang
5R 51" wide, right overhang
60 60" wide
72 72" wide
96 96" wide

Step 4. Material

For 24" wide (24), 30" wide (30), 36" wide (36), 48" wide (48), 60" wide (60), or 72" wide (72)

L high-pressure laminate
C Chemsurf®
S stainless steel **A**
P phenolic resin
K corian

For 51" wide, left overhang (5L) or 51" wide, right overhang (5R)

L high-pressure laminate
C Chemsurf®
S stainless steel **A**
P phenolic resin
K corian

For 96" wide (96)

L high-pressure laminate
C Chemsurf®
S stainless steel **A**

Prices for Steps 1-4.

	L	C	S	P	K
C2141. 24 24	\$209	281	2826	1001	1661
30	\$223	330	3040	1185	1856
36	\$290	418	3630	1364	2262
48	\$395	528	4336	1726	3049
5L	\$471	609	4723	1909	3463
5R	\$471	609	4723	1909	3463
60	\$548	679	5651	1999	3465
72	\$679	827	6448	2273	4279
96	\$865	1033	7220	—	—
30 24	\$270	319	3181	1092	1892
30	\$281	429	3589	1364	2121
36	\$383	571	4563	1549	2566
48	\$514	726	5370	1999	3412
5L	\$536	750	5806	2273	3883
5R	\$536	750	5806	2273	3883
60	\$707	919	6893	2362	3875
72	\$865	1098	7938	2725	4811
96	\$1062	1340	8475	—	—

Step 5. Finish

For high-pressure laminate (L)

HF inner tone light +\$0
LT light tone +\$0
LU soft white +\$0
WN warm grey neutral +\$0

For Chemsurf® (C)

JD warm grey neutral Chemsurf® +\$0
KH light tone Chemsurf® +\$0
KR inner tone light Chemsurf® +\$0
LE soft white Chemsurf® +\$0

Heavy-Duty Work Surface *continued*

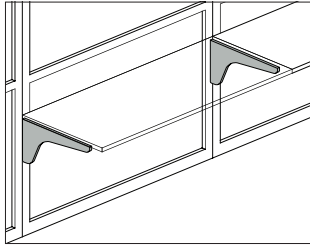
Co/Struc® Work Surfaces

For corian (K)

CQ	glacier white	+\$0
QB	bisque	+\$0
1S	savannah	+\$380
1U	sahara	+\$380
4I	sandstone	+\$380
58	cameo white	+\$370
ANC	antarctica	+\$370
IQ	aurora	+\$380
OQ	silt	+\$380
SVG	silver gray	+\$100
CRT	concrete	+\$740
DVC	dove	+\$740
SFC	seafoam	+\$740

Work Surface Support

C2140.



Product Information

Description

This set of supports allows a standard- or heavy duty work surface to hang from a panel, module, or wall strips.

Notes

Supports for standard duty surfaces include the following:

Surface Width—Supports

24"-60" wide—2 supports (1 left and 1 right)

72" wide—3 supports (1 left, 1 middle, and 1 right)

96" wide—4 supports (1 left, 2 middle, and 1 right)

Supports for heavy duty surfaces include the following:

Surface Width—Supports

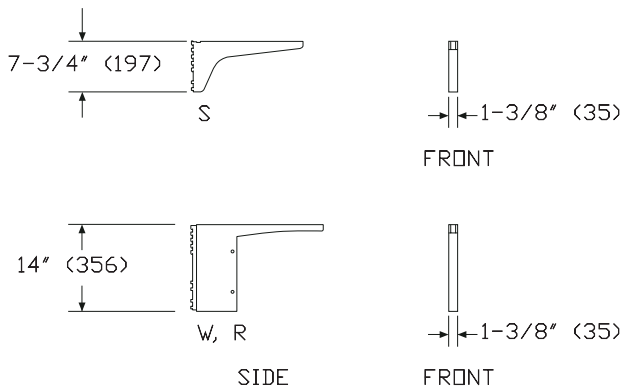
24"-72" wide—2 supports (1 left and 1 right)

96" wide—3 supports (1 left, 1 middle, and 1 right)

For standard duty option (S), order standard duty work surface (C2142.) separately.

For heavy duty options (W or R), order appropriate heavy duty work surface (C2141.) separately.

Dimensions



Specification Information

Step 1.

C2140.

Step 2. Type

S standard duty

W heavy duty, with component adaptor

R heavy duty, component adaptor ready

Step 3. Depth

24 for 24"-deep work surface

30 for 30"-deep work surface

Step 4. Width

24 24" wide

30 30" wide

36 36" wide

48 48" wide

60 60" wide

72 72" wide

96 96" wide

Prices for Steps 1-4.

		24	30	36	48	60	72
C2140. S	24	\$233	233	233	233	233	349
	30	\$233	233	233	233	233	349
W	24	\$585	622	654	689	752	818
	30	\$640	682	711	746	809	875
R	24	\$421	421	421	421	421	464
	30	\$478	478	478	478	478	526
							96
C2140. S	24						\$464
	30						\$464
W	24						\$1129
	30						\$1217
R	24						\$690
	30						\$784

Step 5. Finish

HF inner tone light +\$0

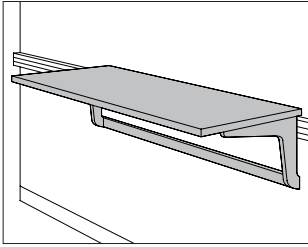
LT light tone +\$0

LU soft white +\$0

WN warm grey neutral +\$0

Rail-Hanging Work Surface

C2410.



Co/Struc® Work Surfaces

Product Information

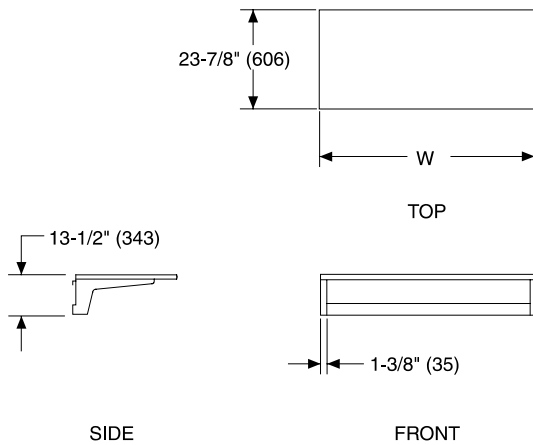
Description

This 24"-deep rectangular work surface hangs on a standard rail. It has predrilled holes for hanging drawers, suspended pedestals, or keyboard trays. The work surface can be installed, relocated, or removed without tools and without disturbing other rail components. The support arm finish matches the surface finish.

Notes

Order optional work surface backsplash (C2910.) separately.
Order optional keyboard/mouse support, adjustable (Y7710.) separately.

Dimensions



Specification Information

Step 1.

C2410.24

Step 2. Width

48 48" wide
72 72" wide

Prices for Steps 1-2.

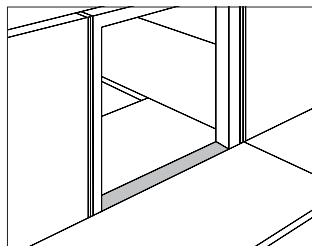
C2410.24 48	\$1518
72	\$1878

Step 3. Surface Finish

HF	inner tone light	+\$0
LT	light tone	+\$0
LU	soft white	+\$0
WN	warm grey neutral	+\$0

Pass-Through Cover

C2399.

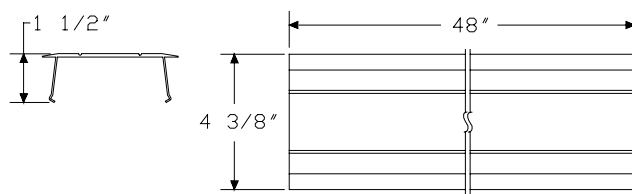


Product Information

Description

This cover provides a continuous surface for 2 back-to-back squared-edge work surfaces hung on an open panel frame. It is 48" wide but can be field cut to fit a narrower opening.

Dimensions



Specification Information

Step 1.

C2399.48

\$138

Step 2. Finish

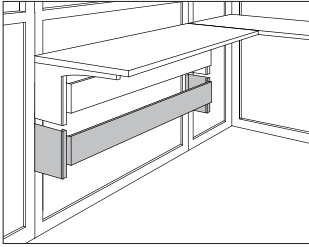
LU soft white

+\$0

Co/Struc® Work Surfaces

C Frame Support

C2192.



Co/Struc® Work Surfaces

Product Information

Description

This assembly attaches to a support panel, a module, or wall strips and provides support for a C frame and components hanging on the C frame. Attachment hardware is included. Shipped knocked down.

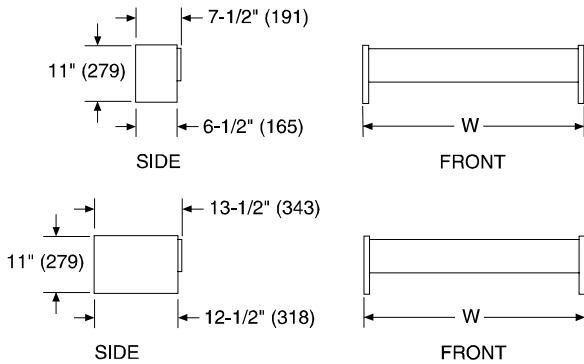
The assembly holds the following quantities of C frames:

- 24" and 30" wide: 1 C frame
- 48" and 60" wide: 2 C frames
- 72" wide: 3 C frames

Notes

For 51"-wide work surface, order 48"-wide C frame support.

Dimensions



Specification Information

Step 1.

C2192.

Step 2. Work Surface Depth

- 24** for 24"-deep work surface
- 30** for 30"-deep work surface

Step 3. Width

- 24** 24" wide
- 30** 30" wide
- 36** 36" wide
- 48** 48" wide
- 60** 60" wide
- 72** 72" wide

Prices for Steps 1-3.

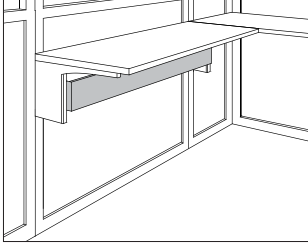
	24	30	36	48	60	72
C2192. 24	\$765	786	805	842	849	864
30	\$842	897	937	954	964	1009

Step 4. Surface Finish

HF	inner tone light					+\$0
LT	light tone					+\$0
LU	soft white					+\$0
WN	warm grey neutral					+\$0

Component Adapter Kit

C2193.



Product Information

Description

This kit attaches to a heavy-duty work surface support and allows C frames to hang below the work surface. Attachment hardware is included.

The kit holds the following quantities of C frames or storage units:

- 30" wide: 1 C frame or storage unit
- 48" and 60" wide: 2 C frames or storage units
- 72" wide: 3 C frames or storage units
- 96" wide: 4 C frames or storage units

Notes

The kit attaches to a work surface support (C2140.) with heavy duty, component adapter ready option (R).

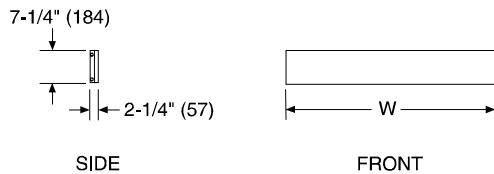
For 51" wide work surface, order 48" wide kit.

96" wide kit is shipped in 2 pieces.

Order storage components separately:

- C frame (C0205)
- Storage unit (C5010.)

Dimensions



Specification Information

Step 1.

C2193.

Step 2. Width

24	24" wide
30	30" wide
48	48" wide
60	60" wide
72	72" wide
96	96" wide

Prices for Steps 1-2.

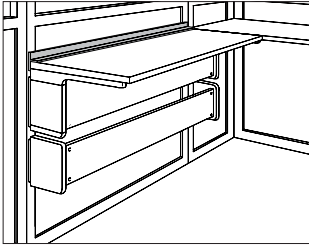
C2193. 24	\$220
30	\$264
48	\$311
60	\$377
72	\$466
96	\$593

Step 3. Surface Finish

HF	inner tone light	+\$0
LT	light tone	+\$0
LU	soft white	+\$0
WN	warm grey neutral	+\$0

Work Surface Backsplash

C2910.



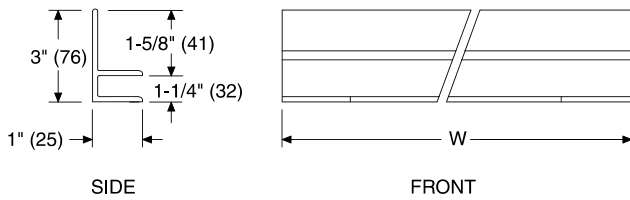
Co/Struc® Work Surfaces

Product Information

Description

This plastic barrier attaches to the back edge of a C-series rectangular or corner work surface or to a process table and creates a backsplash. Package contains 6.

Dimensions



Specification Information

Step 1.

C2910.

Step 2. Width

72 72" wide

Prices for Steps 1-2.

C2910. 72 \$576

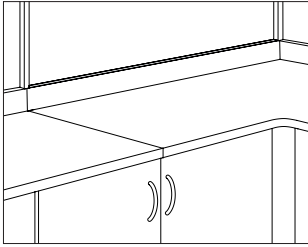
Step 3. Surface Finish

For 72" wide (72)

BK	black	+\$0
HF	inner tone light	+\$0
LT	light tone	+\$0
LU	soft white	+\$0
WN	warm grey neutral	+\$0

Backsplash Filler

C2920.



Product Information

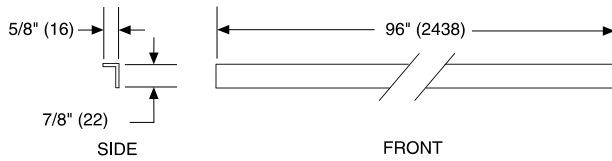
Description

This component attaches to a Casework work surface. It fills the gap created when Casework base cabinets are placed against terminal panels or wall strips. Package contains 6. Attachment hardware is included.

Notes

Order work surface (CG211, or CG212,) or corner work surface (CG218, or CG219,) separately.

Dimensions



Specification Information

Step 1.

C2920.96

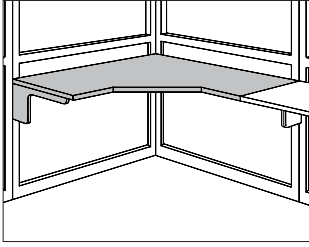
\$208

Step 2. Surface Finish

LU soft white

+\$0

Heavy-Duty Corner Work Surface C2215.



Co/Struc® Work Surfaces

Product Information

Description

This 48"-wide work surface hangs from modules, C-series support panels, or wall strips and provides additional top-loading capacity. It includes 1 drawer bearer package. The work surface cannot attach to Action Office® Series 1 or Series 2 connectors. Attachment hardware is included.

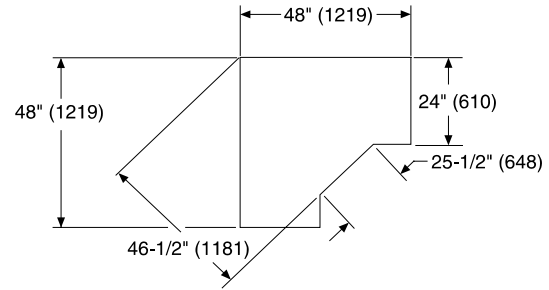
The work surface has a laminate or Chemsurf® top. The support arm finish matches the surface finish.

Notes

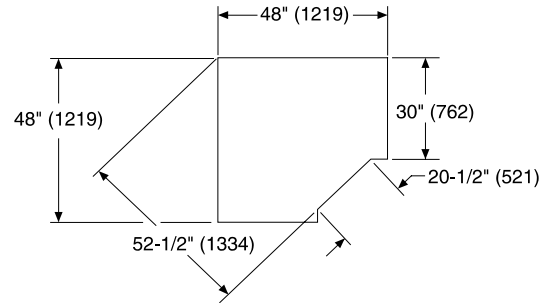
When hanging work surface from wall strips, order recommended work surface backsplash (C2910.) separately.

Order optional keyboard/mouse support, adjustable (Y7710.) separately.

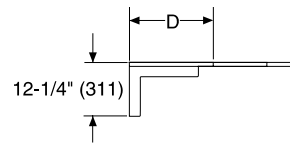
Dimensions



TOP



TOP



FRONT

Heavy-Duty Corner Work Surface

continued

Specification Information

Step 1.

C2215. A

Step 2. Depth

2448 24" deep A

3048 30" deep A

Prices for Steps 1-2.

C2215. 2448	\$1040
3048	\$1205

Step 3. Surface Finish

Laminate Top

For 24" deep (2448)

HF inner tone light <input type="checkbox"/> A	+\$0
LT light tone <input type="checkbox"/> A	+\$0
LU soft white <input type="checkbox"/> A	+\$0
WN warm grey neutral <input type="checkbox"/> A	+\$0

Chemsurf® Top

For 24" deep (2448)

JD warm grey neutral Chemsurf® <input type="checkbox"/> A	+\$174
KH light tone Chemsurf® <input type="checkbox"/> A	+\$174
KR inner tone light Chemsurf® <input type="checkbox"/> A	+\$174
LE soft white Chemsurf® <input type="checkbox"/> A	+\$174

Laminate Top

For 30" deep (3048)

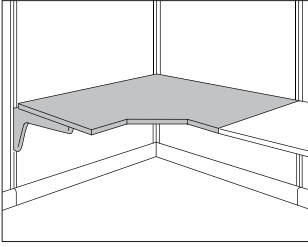
HF inner tone light <input type="checkbox"/> A	+\$0
LT light tone <input type="checkbox"/> A	+\$0
LU soft white <input type="checkbox"/> A	+\$0
WN warm grey neutral <input type="checkbox"/> A	+\$0

Chemsurf® Top

For 30" deep (3048)

JD warm grey neutral Chemsurf® <input type="checkbox"/> A	+\$199
KH light tone Chemsurf® <input type="checkbox"/> A	+\$199
KR inner tone light Chemsurf® <input type="checkbox"/> A	+\$199
LE soft white Chemsurf® <input type="checkbox"/> A	+\$199

Heavy-Duty Corner Work Surface, C2216. Action Office® Series 1 or 2 90° Corner Connector



Co/Struc® Work Surfaces

Product Information

Description

This 48"-wide work surface hangs from panels or wall strips connected by an Action Office® Series 1 or 2 90° corner connector. It provides additional top-loading capacity and includes 1 drawer bearer package. The support arm finish matches the surface finish. The work surface cannot attach to a C-series 90° corner connector. Attachment hardware is included.

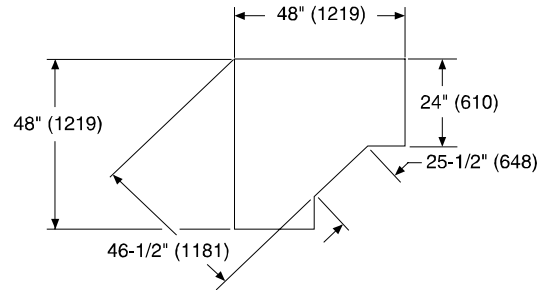
The work surface has a laminate or Chemsurf® top.

Notes

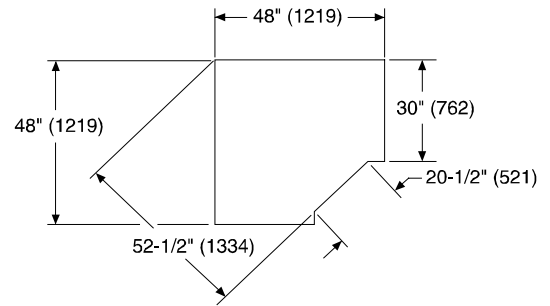
When hanging work surface from wall strips, order recommended work surface backsplash (C2910.) separately.

Order optional keyboard/mouse support, adjustable (Y7710.) separately.

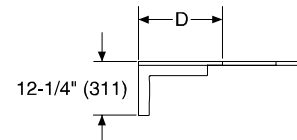
Dimensions



TOP



TOP



FRONT

Heavy-Duty Corner Work Surface, Action Office® Series 1 or 2 90° Corner Connector *continued*

Specification Information

Step 1.

C2216. A

Step 2. Depth

2448 24" deep A

3048 30" deep A

Prices for Steps 1-2.

C2216. 2448 \$1058

3048 \$1225

Step 3. Surface Finish

Laminate Top

For 24" deep (2448)

HF inner tone light A +\$0

LT light tone A +\$0

LU soft white A +\$0

WN warm grey neutral A +\$0

Chemsurf® Top

For 24" deep (2448)

JD warm grey neutral Chemsurf® A +\$174

KH light tone Chemsurf® A +\$174

KR inner tone light Chemsurf® A +\$174

LE soft white Chemsurf® A +\$174

Laminate Top

For 30" deep (3048)

HF inner tone light A +\$0

LT light tone A +\$0

LU soft white A +\$0

WN warm grey neutral A +\$0

Chemsurf® Top

For 30" deep (3048)

JD warm grey neutral Chemsurf® A +\$199

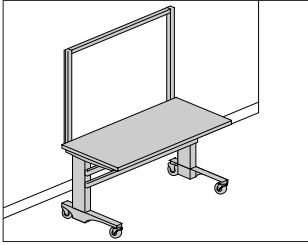
KH light tone Chemsurf® A +\$199

KR inner tone light Chemsurf® A +\$199

LE soft white Chemsurf® A +\$199

Workstation, Electric Height Adjustment

C4310.



Co/Struc® Work Surfaces

Product Information

Description

This 30"-deep height-adjustable table has a laminate or Chemsurf® top. The electrically driven assembly has a 15" travel range from 26½" to 41½". The table base is equipped with a motor, height-control box, and 8½' power cord. It has a load capacity of 400 pounds when weight is evenly distributed. The table is available with leveling glides or 4" casters with brakes. It is UL listed for the U.S. and Canada.

Attachment hardware is included. Shipped knocked down.

A riser frame attaches to the table base to provide upright support for hanging components. The table includes 1 stretcher to support a C frame or storage unit. The table includes 1 stretcher to support a C frame or storage unit. The 48"-wide workstation has 1 set of drawer bearers; 60"- and 72"-wide workstations have 2 sets of drawer bearers.

Notes

60"- and 72"-wide riser frames require a riser frame divider for overhead storage components. See Co/Struc Planning Guide for information.

Order storage components (to hang on stretcher) separately:

- B-style shelf (CO521.)
- C frame (CO205)
- Drawer (CO207, CO208, or CO209)
- Storage unit (C5010.)

Order workstation storage components separately:

- Reagent shelf (C4327.)

Order overhead components (to hang on riser frame) separately:

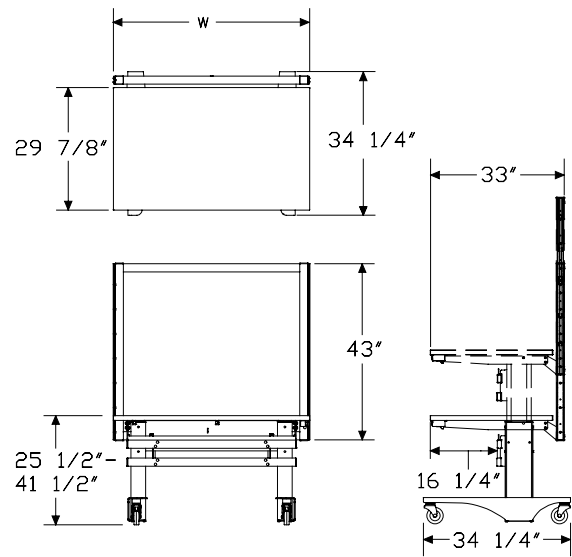
- B-style shelf (C3011.)
- Equipment rail (C1172.)
- Flat panel mount (C4324.)
- Marker board (C4323.)
- Power strip (C4322.)
- Riser frame divider (C4320.)
- Riser frame end cover (C4321.)
- Shelf unit (C5020. or C5021.)

Order Action Office® overhead components separately. See Co/Struc Planning Guide for information.

When specifying a Chemsurf® finish, the corresponding frame finish is as follows:

- For warm grey neutral Chemsurf (JD), warm grey neutral (WN) frame.
- For light tone Chemsurf (KH), light tone (LT) frame.
- For inner tone light Chemsurf (KR), inner tone light (HF) frame.
- For soft white Chemsurf (LE), soft white (LU) frame.

Dimensions



Workstation, Electric Height Adjustment *continued*

Specification Information

Step 1.

C4310.30

Step 2. Width

- 48** 48" wide
- 60** 60" wide
- 72** 72" wide

Step 3. Surface Material

- L** high-pressure laminate
- C** Chemsurf®

Prices for Steps 1-3.

	L	C
C4310.30 48	\$8516	8913
60	\$8629	9029
72	\$9022	9421

Step 4. Casters/Glides

- GA** glides +\$0
- CA** casters +\$380

Step 5. Top/Frame Finish

For high-pressure laminate (L)

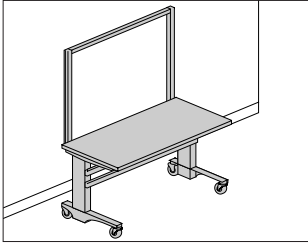
- HF** inner tone light +\$0
- LT** light tone +\$0
- LU** soft white +\$0
- WN** warm grey neutral +\$0

For Chemsurf® (C)

- JD** warm grey neutral Chemsurf® +\$0
- KH** light tone Chemsurf® +\$0
- KR** inner tone light Chemsurf® +\$0
- LE** soft white Chemsurf® +\$0

Workstation, Manual Height Adjustment

C4311.



Co/Struc® Work Surfaces

Product Information

Description

This 30"-deep height-adjustable work station has a laminate or Chemsurf® top. It is pin adjustable in 1" increments and has a 15" travel range from 26½" to 41½". The table has a load capacity of 400 pounds when weight is evenly distributed. The table is available with leveling glides or 4" casters with brakes. It is UL listed for the U.S. and Canada. Attachment hardware is included. Shipped knocked down. A riser frame attaches to the table base to provide upright support for hanging components. The table includes 1 stretcher to support a C frame or storage unit. The table has 48"-wide workstations with 1 set of drawer bearers; 60"- and 72"-wide workstations have 2 sets of drawer bearers.

Notes

60" and 72"-wide riser frames require a riser frame divider for overhead storage components. See Co/Struc Planning Guide for information.

Order storage components (to hang on stretcher) separately:

- B-style shelf (CO521.)
- C frame (CO205)
- Drawer (CO207, CO208, or CO209)
- Storage unit (C5010.)

Order workstation storage components separately:

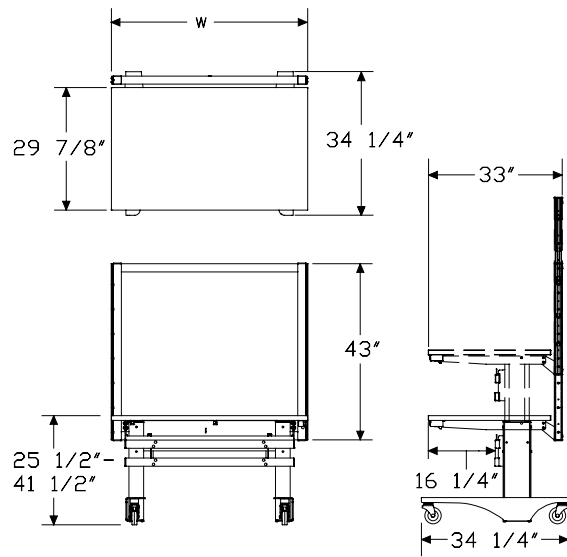
- Reagent shelf (C4327.)
- Order overhead components (to hang on riser frame) separately:
- Equipment rail (C1172.)
- Flat panel mount (C4324.)
- Marker board (C4323.)
- Power strip (C4322.)
- Riser frame divider (C4320.)
- Riser frame end cover (C4321.)

Order Action Office® overhead components separately. See Co/Struc Planning Guide for information.

When specifying a Chemsurf® finish, the corresponding frame finish is as follows:

- For warm grey neutral Chemsurf (JD), warm grey neutral (WN) frame.
- For light tone Chemsurf (KH), light tone (LT) frame.
- For inner tone light Chemsurf (KR), inner tone light (HF) frame.
- For soft white Chemsurf (LE), soft white (LU) frame.

Dimensions



Workstation, Manual Height Adjustment *continued*

Specification Information

Step 1.

C4311.30

Step 2. Width

48 48" wide
60 60" wide
72 72" wide

Step 3. Surface Material

L high-pressure laminate
C Chemsurf®

Prices for Steps 1-3.

	L	C
C4311.30 48	\$6327	6748
60	\$6471	6891
72	\$6771	7319

Step 4. Casters/Glides

GA glides +\$0
CA casters +\$380

Step 5. Top/Frame Finish

For high-pressure laminate (L)

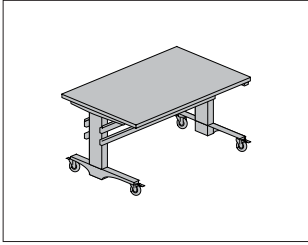
HF inner tone light +\$0
LT light tone +\$0
LU soft white +\$0
WN warm grey neutral +\$0

For Chemsurf® (C)

JD warm grey neutral Chemsurf® +\$0
KH light tone Chemsurf® +\$0
KR inner tone light Chemsurf® +\$0
LE soft white Chemsurf® +\$0

Work Table, Electric Height Adjustment

C4312.



Co/Struc® Work Surfaces

Product Information

Description

This 2-sided, 42"-deep height-adjustable table has a laminate or Chemsurf® top. The electrically driven assembly has a 15" travel range from 26 1/2" to 41 1/2". The table base is equipped with a motor, height-control box, and 8 1/2' power cord. It has a load capacity of 400 pounds when weight is evenly distributed. The table is available with leveling glides or 4" casters with brakes. It is UL listed for the U.S. and Canada. Attachment hardware is included. Shipped knocked down.

The table includes 2 stretchers (one on each side) to support C frames and/or storage units. 48"- and 60"-wide tables have 4 sets of drawer bearers.

Notes

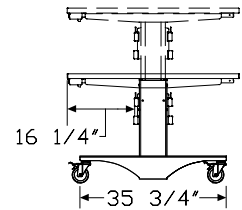
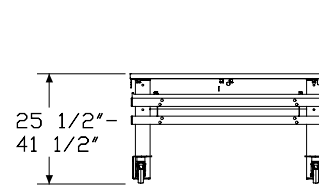
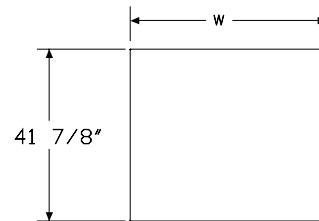
Order storage components separately:

- B-style shelf (CO521.)
- C frame (CO205)
- Drawer (CO207, CO208, or CO209)
- Storage unit (C5010.)

When specifying a Chemsurf® finish, the corresponding frame finish is as follows:

- For warm grey neutral Chemsurf (JD), warm grey neutral (WN) frame.
- For light tone Chemsurf (KH), light tone (LT) frame.
- For inner tone light Chemsurf (KR), inner tone light (HF) frame.
- For soft white Chemsurf (LE), soft white (LU) frame.

Dimensions



Work Table, Electric Height Adjustment *continued*

Specification Information

Step 1.

C4312.42

Step 2. Width

48 48" wide

60 60" wide

Step 3. Surface Material

L high-pressure laminate

C Chemsurf®

Prices for Steps 1-3.

	L	C
C4312.42 48	\$8794	9257
60	\$9071	9533

Step 4. Casters/Glides

GA glides +\$0

CA casters +\$380

Step 5. Top/Frame Finish

For high-pressure laminate (L)

HF inner tone light +\$0

LT light tone +\$0

LU soft white +\$0

WN warm grey neutral +\$0

For Chemsurf® (C)

JD warm grey neutral Chemsurf® +\$0

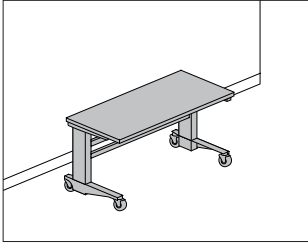
KH light tone Chemsurf® +\$0

KR inner tone light Chemsurf® +\$0

LE soft white Chemsurf® +\$0

Process Table, Electric Height Adjustment

C4313.



Co/Struc® Work Surfaces

Product Information

Description

This height-adjustable process table has a laminate or Chemsurf® top. The electrically driven assembly has a 15" travel range from 26½" to 41½". The table base is equipped with a motor, height-control box, and 8½' power cord. It has a load capacity of 400 pounds when weight is evenly distributed. The table is available with leveling glides or 3" locking casters. It is UL listed for the U.S. and Canada.

Attachment hardware is included. Shipped knocked down.

The table includes 1 stretcher to support a C frame or storage unit.

Notes

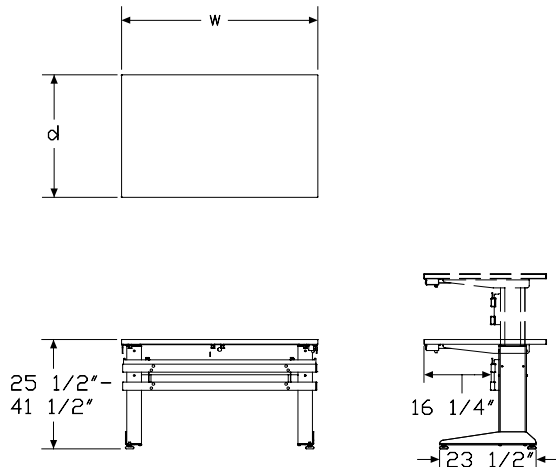
Order storage components separately:

- B-style shelf (CO521.)
- C frame (CO205)
- Drawer (CO207, CO208, or CO209)
- Reagent shelf (C4326.)
- Storage unit (C5010.)

When specifying a Chemsurf® finish, the corresponding frame finish is as follows:

- For warm grey neutral Chemsurf (JD), warm grey neutral (WN) frame.
- For light tone Chemsurf (KH), light tone (LT) frame.
- For inner tone light Chemsurf (KR), inner tone light (HF) frame.
- For soft white Chemsurf (LE), soft white (LU) frame.

Dimensions



Specification Information

Step 1.

C4313.

Step 2. Depth

24	24" deep
30	30" deep

Step 3. Width

48	48" wide
60	60" wide
72	72" wide

Step 4. Surface Material

L	high-pressure laminate
C	Chemsurf® A

Prices for Steps 1-4.

	L	C
C4313. 24 48	\$7593	8007
60	\$7842	8254
72	\$8172	8586
30 48	\$7736	8147
60	\$7898	8310
72	\$8223	8635

Step 5. Casters/Glides

GA	glides	+\$0
CA	casters	+\$318

Step 6. Top/Frame Finish

For high-pressure laminate (L)

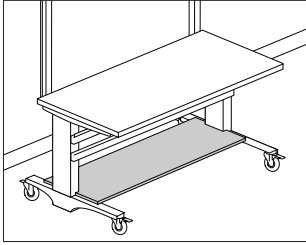
HF	inner tone light	+\$0
LT	light tone	+\$0
LU	soft white	+\$0
WN	warm grey neutral	+\$0

For Chemsurf® (C)

JD	warm grey neutral Chemsurf®	+\$0
KH	light tone Chemsurf®	+\$0
KR	inner tone light Chemsurf®	+\$0
LE	soft white Chemsurf®	+\$0

Reagent Shelf

C4326.
C4327.



Product Information

Description

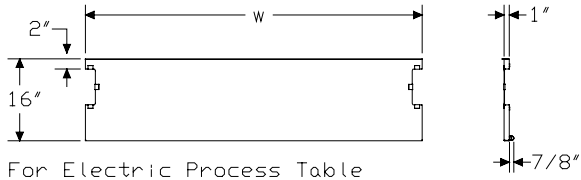
This metal shelf attaches to a workstation or process table to provide storage for reagents below the surface.

Notes

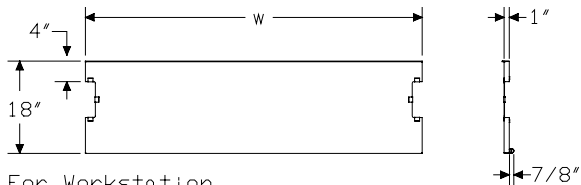
Order workstation (C4310. or 4311.) separately.

Order process table (C4313.) separately.

Dimensions



For Electric Process Table



For Workstation

Specification Information

Step 1.

C432

Step 2. Type

- 6. for electric process table
- 7. for workstation

Step 3. Depth

For electric process table (6.)

16 16" deep

For workstation (7.)

18 18" deep

Step 4. Width

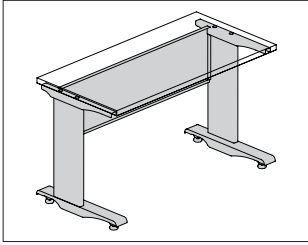
- 48** 48" wide
- 60** 60" wide
- 72** 72" wide

Prices for Steps 1-4.

	48	60	72
C4326. 16	\$1114	1159	1236
C4327. 18	\$1085	1204	1215

Step 5. Finish

HF	inner tone light	+\$0
LT	light tone	+\$0
LU	soft white	+\$0
WN	warm grey neutral	+\$0



Product Information

Description

This freestanding table base is available at seated height (29" high) and standing height (36" high), has 2 C-legs, a steel modesty panel, and 1" adjustable glides. Base finishes come in both metallic and standard healthcare finishes. Work table surface and available reagent shelf are ordered separately. The table has a load capacity of 500 pounds when weight is evenly distributed. Shipped knocked down.

Notes

If casters are desired at initial purchase, Options is recommended as a solution to maintain 29" and 36" heights. Casters are also available as a service part if replacing glides with casters is desired in the future.

At lowest glide adjustment, actual height of table with glides and work surface is 28³/₄" for a 29" seated-height table base and 35³/₄" for a 36" standing-height table base. Actual height of table with casters and work surface is 31.4" for a 29" seated-height table base and 38.4" for a 36" standing-height table base. Order casters as a service part. Clearance from front of table to modesty panel is 24¹/₄" for a 30"-deep work surface and 18¹/₄" for a 24"-deep work surface.

Order work table surface (C4700.) separately:

- 24" and 30" depths, and 48", 51" (left and right), and 60" widths are compatible with table bases 24" deep × 48" wide.
- 60" wide work table surface overhangs on center of a 48"-wide table base.
- 51" wide (left and right) work table surfaces overhang left or right of a 48"-wide table base.
- Order drawer bearers separately, with work table surface.

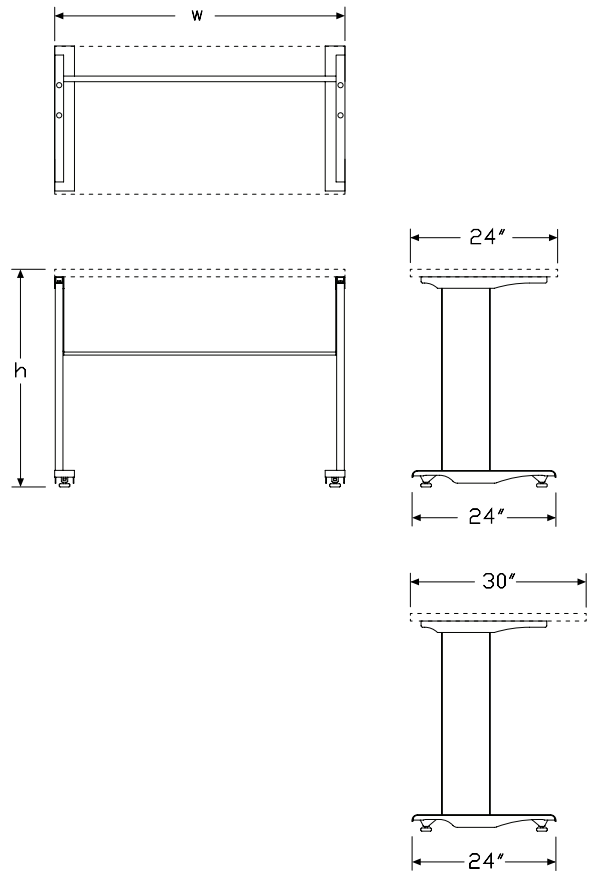
Order separately:

- Work table reagent shelf (C4900.).
- Cord cleat (G1331).
- Cable management trough (AO382.).

To accommodate a refrigerator, a 36"-high table base is recommended. Refrigerators 21.34" wide or less can be used with 1 set of adjacent drawer bearers for a 3" or 6" drawer (CO207, CO208) only.

Due to the nature of the paint for metallic finishes (CN, MS), the end finish is more prone to show a light blemish or texture change on the top of the table foot when light hits it directly. This is normal as a result of the metal transition from the weld underneath.

Dimensions



Basic Work Table Base *continued*

Specification Information

Step 1.

C460 A

Step 2. Glides

G. glides A

Step 3. Depth

24 24" deep A

Step 4. Width

48 48" wide A

Step 5. Height

29 29" high A

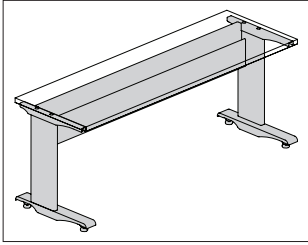
36 36" high A

Prices for Steps 1-5.

	29	36
C460G. 24 48	\$1427	1506

Step 6. Base/Modesty Panel Finish

HF inner tone light <input type="checkbox"/> A	+\$0
LT light tone <input type="checkbox"/> A	+\$0
LU soft white <input type="checkbox"/> A	+\$0
WN warm grey neutral <input type="checkbox"/> A	+\$0
CN metallic champagne <input type="checkbox"/> A	+\$0
MS metallic silver <input type="checkbox"/> A	+\$0



Product Information

Description

This freestanding table base is available at seated height (29" high) and standing height (36" high) and has stretchers to support C frames, drawers, and storage units. Table base comes with 1" adjustable glides. Base finishes come in both metallic and standard healthcare finishes. Work table surface and available reagent shelf are ordered separately. The table has a load capacity of 500 pounds when weight is evenly distributed. Shipped knocked down.

Notes

If casters are desired at initial purchase, Options is recommended as a solution to maintain 29" and 36" heights. Casters are also available as a service part if replacing glides with casters is desired in the future.

At lowest glide adjustment, actual height of table with glides and work surface is 28³/₄" for a 29" seated-height table base and 35³/₄" for a 36" standing-height table base. Actual height of table with casters and work surface is 31.4" for a 29" seated-height table base and 38.4" for a 36" standing-height table base.

Order work table surface (C4700.) separately:

- 24" deep × 36" wide base is only compatible with a 24" deep × 36" wide work table surface.
- 24" deep × 48" wide base is compatible with a 24" deep × 48", 51" (left and right), 60" wide work table surface.
- 24" deep × 72" wide base is only compatible with a 24" deep × 72" wide work table surface.
- 30" deep × 36" wide base is only compatible with a 30" deep × 36" wide work table surface.
- 30" deep × 48" wide base is compatible with a 30" deep × 48", 51" (left and right), 60" wide work table surface.
- 30" deep × 48S" wide base is only compatible with a 36" deep × 72" wide work table surface.
- 30" deep × 72" wide base is only compatible with a 30" deep × 72" wide work table surface.

60" wide work table surface (C4700.) overhangs on center of a 48" wide table base.

51" wide (left and right) work table surfaces (C4700.) overhang left or right of a 48" wide table base.

Order drawer bearers separately, with work table surface (C4700.).

Due to the nature of the paint for metallic finishes (CN, MS), the end finish is more prone to show a light blemish or texture change on the top of the table foot when light hits it directly. This is normal as a result of the metal transition from the weld underneath.

Order storage components separately:

- Drawer (C0207, C0208, C0209).
- Storage unit (C5010).
- Work table reagent shelf (C4900.).
- C frame (C0205).

Maximum C frames or storage units using maximum number of stretchers and a 36"-high table base:

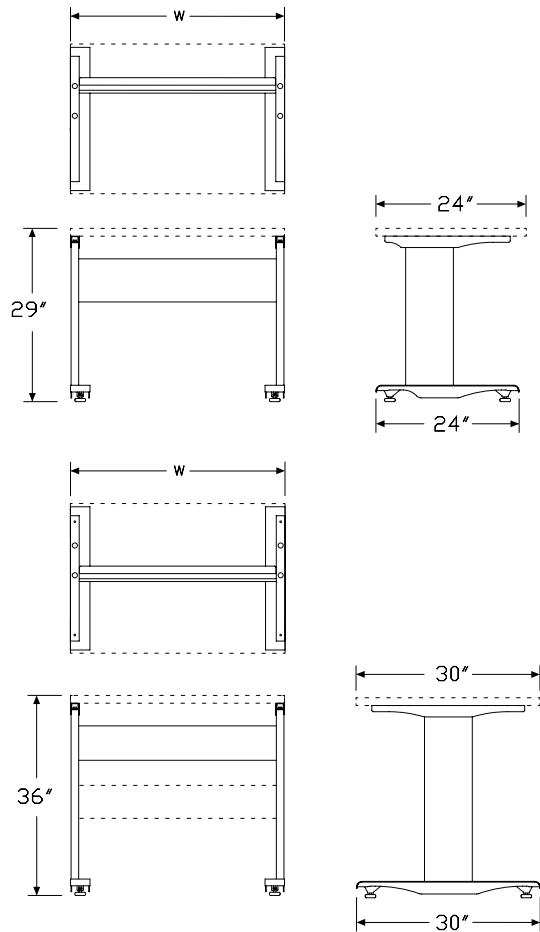
- For 36"-wide base: 2 C frames or 1 storage unit.
- For 48"-wide base: 4 C frames or 2 storage units.
- For 48S"-wide × 30"-deep base: 8 C frames (4 front/4 back) or 4 storage units.
- For 72"-wide base: 6 C frames or 3 storage units.

Order technology support and cord management accessories separately:

- Connect™ - S300 (Y1323.xxxxS).
- Flo® single-screen monitor arm (Y91171.CM).
- Flo plus monitor arm assembly (Y91174.xCM).
- Tablet support (Y91173.).
- Laptop mount (Y91177.).
- LE series keyboard solutions (Y7710.1).
- JAW™ adjustable CPU holder assembly (Y91103.).
- Cord cleat (G1331.).
- Cable management trough (A0382.).
- Cable trough (Y1200.).

Order Y1200.30 for a C461G.3036; order Y1200.42 for a C461G.3048.

Dimensions



Specification Information

Step 1.

C461 A

Step 2. Glides

G. glides A

Step 3. Depth

24 24" deep A

30 30" deep A

Step 4. Width

For 24" deep (24)

36 36" wide A

48 48" wide A

72 72" wide A

For 30" deep (30)

36 36" wide A

48 48" wide A

72 72" wide A

48S 48" wide, symmetrical support A

Step 5. Height

29 29" high A

36 36" high A

Step 6. Number of Stretchers

For 29" high (29)

A upper placement only A

For 36" high (36)

A upper placement only A

B upper and lower placement A

Prices for Steps 1-6.

	29A	36A	36B
C461G. 24 36	\$1637	1736	2018
48	\$1655	1753	2033
72	\$1793	1892	2297
30 36	\$1677	1770	2054
48	\$1697	1788	2072
72	\$1834	1931	2335
48S	\$2055	2224	2572

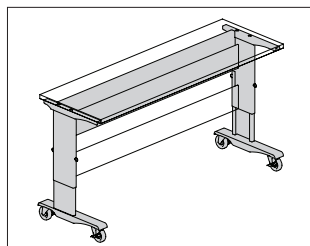
Standard Work Table Base *continued*

Co/Struc® Work Surfaces

Step 7. Base/Stretcher Finish		
HF	inner tone light <input type="checkbox"/> A	+\$0
LT	light tone <input type="checkbox"/> A	+\$0
LU	soft white <input type="checkbox"/> A	+\$0
WN	warm grey neutral <input type="checkbox"/> A	+\$0
CN	metallic champagne <input type="checkbox"/> A	+\$0
MS	metallic silver <input type="checkbox"/> A	+\$0

Adjustable Work Table Base

C462C.
C462G.



Product Information

Description

This freestanding 1" pin-adjustable table base has stretchers to support C frames, drawers, and storage units. Table base comes with 1" adjustable glides or 4" locking casters. Base finishes come in both metallic and standard healthcare finishes. Work table surface and available reagent shelf are ordered separately. The table has a load capacity of 500 pounds when weight is evenly distributed. Shipped knocked down.

Notes

Table with glides and work surface adjusts from 27" high to 36" high.

Table with casters adjusts from 30" high to 38" high.

Order work table surface (C4700.) separately:

- 24" deep x 36" wide base is only compatible with a 24" deep x 36" wide work table surface.
- 24" deep x 48" wide base is compatible with a 24" deep x 48", 51" (left and right), 60" wide work table surface.
- 24" deep x 72" wide base is only compatible with a 24" deep x 72" wide work table surface.
- 30" deep x 36" wide base is only compatible with a 30" deep x 36" wide work table surface.
- 30" deep x 48" wide base is compatible with a 30" deep x 48", 51" (left and right), 60" wide work table surface.
- 30" deep x 48S" wide base is only compatible with a 36" deep x 72" wide work table surface.
- 30" deep x 72" wide base is only compatible with a 30" deep x 72" wide work table surface.

60" wide work table surface (C4700.) overhangs on center of a 48"-wide table base.

51" wide (left and right) work table surfaces (C4700.) overhang left or right of a 48"-wide table base.

Order drawer bearers separately, with work table surface (C4700.).

Order storage components separately:

- Drawer (CO207, CO208, CO209).
- Storage unit (C5010).
- Work table reagent shelf (C4900.).
- C frame (CO205).

Maximum C frames or storage units using maximum number of stretchers and a 36"-high table base:

- For 36"-wide base: 2 C frames or 1 storage unit.
- For 48"-wide base: 4 C frames or 2 storage units.
- For 48S"-wide x 30"-deep base: 8 C frames (4 front/4 back) or 4 storage units.
- For 72"-wide base: 6 C frames or 3 storage units.

For tables adjusted below 32" high, C frames hang from top stretcher only, and storage units cannot mount.

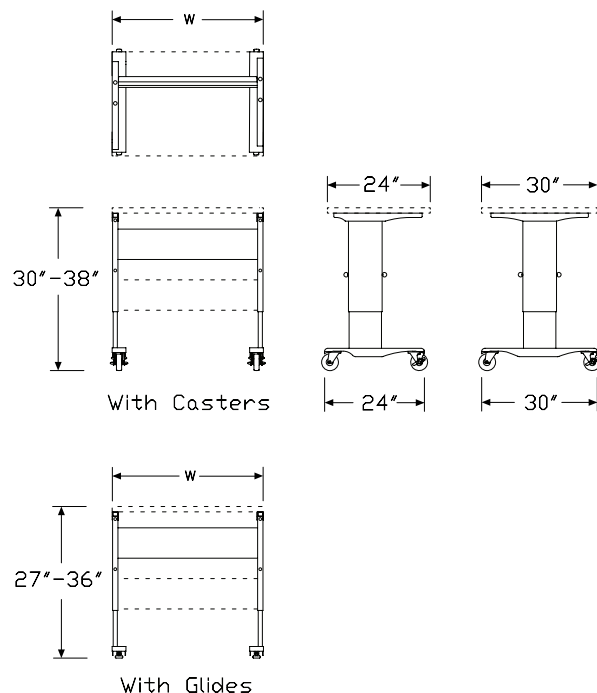
Due to the nature of the paint for metallic finishes (CN, MS), the end finish is more prone to show a light blemish or texture change on the top of the table foot when light hits it directly. This is normal as a result of the metal transition from the weld underneath.

Order technology support and cord management accessories separately:

- Connect™ - S300 (Y1323.xxxxS).
- Flo® single-screen monitor arm (Y91171.CM).
- Flo plus monitor arm assembly (Y91174.xCM).
- Tablet support (Y91173.).
- Laptop mount (Y91177.).
- LE series keyboard solutions (Y7710.1).
- JAW™ adjustable CPU holder assembly (Y91103.).
- Cord cleat (G1331.).
- Cable management trough (AO382.).
- Cable trough (Y1200.).

Order Y1200.30 for a C462x.3036; order Y1200.42 for a C462x.3048.

Dimensions



Adjustable Work Table Base

continued

Co/Struc® Work Surfaces

Specification Information

Step 1.

C462 A

Step 2. Casters/Glides

G. glides A

C. casters A

Step 3. Depth

24 24" deep A

30 30" deep A

Step 4. Width

For 24" deep (24)

36 36" wide A

48 48" wide A

72 72" wide A

For 30" deep (30)

36 36" wide A

48 48" wide A

72 72" wide A

48S 48" wide, symmetrical support A

Step 5. Number of Stretchers

A upper placement only A

B upper and lower placement A

Prices for Steps 1-5.

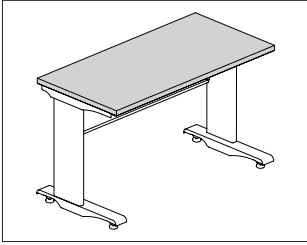
	A	B
C462G. 24 36	\$2547	2832
48	\$2561	2851
72	\$2707	3121
30 36	\$2571	2853
48	\$2588	2874
72	\$2731	3144
48S	\$2959	3324

	A	B
C462C. 24 36	\$2647	2934
48	\$2662	2951
72	\$2809	3223
30 36	\$2668	2952
48	\$2687	2973
72	\$2831	3244
48S	\$3057	3424

Step 6. Base Finish

HF	inner tone light <input type="checkbox"/> A	+\$0
LT	light tone <input type="checkbox"/> A	+\$0
LU	soft white <input type="checkbox"/> A	+\$0
WN	warm grey neutral <input type="checkbox"/> A	+\$0
CN	metallic champagne <input type="checkbox"/> A	+\$0
MS	metallic silver <input type="checkbox"/> A	+\$0

Work Table Surface, Rectangular C4700.



Product Information

Description

This work table surface attaches to work table bases (C460G., C461G., C462G., C462C.). Predrilled holes accept drawer bearers ordered with the work surface. Surface material is available in laminate, Chemsurf®, Corian®, or phenolic resin.

Notes

Drawer bearers must be field installed.

Only used on work table bases C460G., C461G., C462G., C462C., ordered separately. See table base information for work surface compatibilities and top load weight capacities.

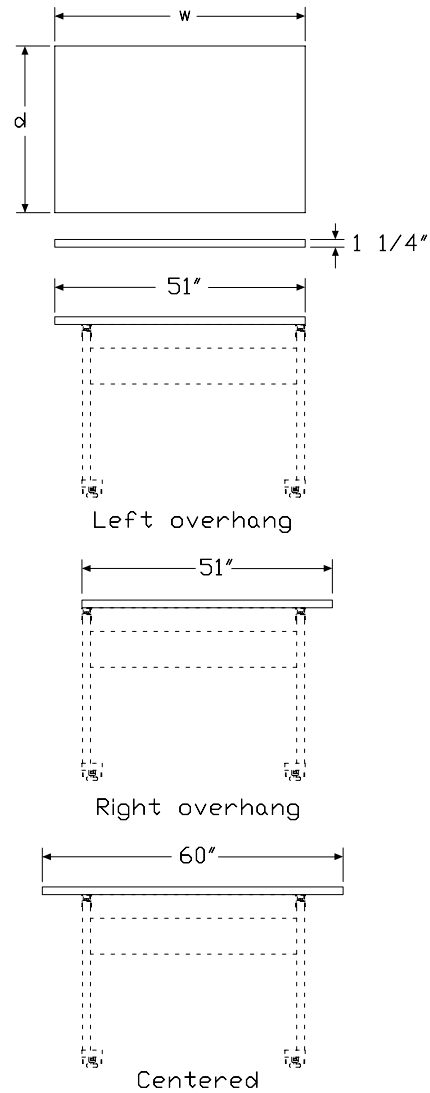
Work table surface supports the following maximum pairs of drawer bearers (each pair has 1 left and 1 right bearer):

- For 36"-wide table: 1 pair.
- For 48"-wide table: 2 pair.
- For 48S"-wide table: 4 pair (2 pair on either side).
- For 60"-wide table: 2 pair.
- For 72"-wide table: 3 pair.

Phenolic resin is 1" thick. When ordering adjustable work table base (C462C.) with phenolic resin top (C4700.xxxxP) that needs to be level with tables (C462C.) using laminate, Chemsurf, or Corian tops (C4700.L, C4700.K, C4700.C), order phenolic shim service part.

See Co/Struc® System planning guide for capacity information.

Dimensions



Work Table Surface, Rectangular

continued

Co/Struc® Work Surfaces

Specification Information

Step 1.

C4700. A

Step 2. Depth

24 24" deep A

30 30" deep A

36 36" deep A

Step 3. Width

For 24" deep (24)

36 36" wide A

48 48" wide A

51L 51" wide, left overhang A

51R 51" wide, right overhang A

60 60" wide A

72 72" wide A

For 30" deep (30)

36 36" wide A

48 48" wide A

51L 51" wide, left overhang A

51R 51" wide, right overhang A

60 60" wide A

72 72" wide A

For 36" deep (36)

72 72" wide A

Step 4. Surface Material

L high-pressure laminate A

C Chemsurf® A

K corian A

P phenolic resin A

Prices for Steps 1-4.

	L	C	K	P
C4700. 24 36	\$323	432	1090	1356
48	\$351	470	1360	1800
51L	\$443	554	1634	2182
51R	\$443	580	1634	2182
60	\$454	565	1635	2184
72	\$494	694	1914	2633

30 36	\$361	464	1283	1669
48	\$407	504	1599	2215
51L	\$499	631	1924	2689
51R	\$499	631	1924	2689
60	\$494	692	1915	2680
72	\$557	776	2235	3230
36 72	\$736	1146	2610	4932

Step 5. Top/Edge Finish

For high-pressure laminate (L)

HF inner tone light A +\$0

LT light tone A +\$0

LU soft white A +\$0

WN warm grey neutral A +\$0

For high-pressure laminate (L)

28 canyon A +\$0

29 misted A +\$0

For Chemsurf® (C)

JD warm grey neutral Chemsurf® A +\$0

KH light tone Chemsurf® A +\$0

KR inner tone light Chemsurf® A +\$0

LE soft white Chemsurf® A +\$0

For corian (K)

CQ glacier white A +\$0

QB bisque A +\$0

1S savannah A +\$410

1U sahara A +\$410

4I sandstone A +\$410

58 cameo white A +\$400

ANC antarctica A +\$400

IQ aurora A +\$410

OQ silt A +\$410

SVG silver gray A +\$100

CRT concrete A +\$525

DVC dove A +\$525

SFC seafoam A +\$525

For phenolic resin (P)

BK black A +\$0

Work Table Surface, Rectangular

continued

Step 6. Pairs of Drawer Bearers

For 36" wide (36)

NB	without drawer bearers	<input type="checkbox"/> A	+\$0
1D	1 pair drawer bearers	<input type="checkbox"/> A	+\$16

For 48" wide (48), 51" wide, left overhang (51L), 51" wide, right overhang (51R), or 60" wide (60)

NB	without drawer bearers	<input type="checkbox"/> A	+\$0
1D	1 pair drawer bearers	<input type="checkbox"/> A	+\$16
2D	2 pair drawer bearers	<input type="checkbox"/> A	+\$31

For 24" deep (24) or 30" deep (30) with 72" wide (72)

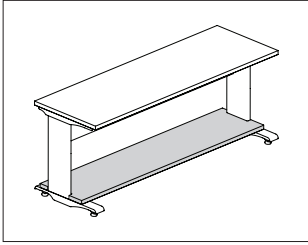
NB	without drawer bearers	<input type="checkbox"/> A	+\$0
1D	1 pair drawer bearers	<input type="checkbox"/> A	+\$16
2D	2 pair drawer bearers	<input type="checkbox"/> A	+\$31
3D	3 pair drawer bearers	<input type="checkbox"/> A	+\$47

For 36" deep (36) with 72" wide (72)

NB	without drawer bearers	<input type="checkbox"/> A	+\$0
1D	1 pair drawer bearers	<input type="checkbox"/> A	+\$16
2D	2 pair drawer bearers	<input type="checkbox"/> A	+\$31
3D	3 pair drawer bearers	<input type="checkbox"/> A	+\$47
4D	4 pair drawer bearers	<input type="checkbox"/> A	+\$62

Work Table Reagent Shelf

C4900.



Co/Struc® Work Surfaces

Product Information

Description

This high-pressure laminate shelf attaches to work table bases to provide storage below the surface.

Notes

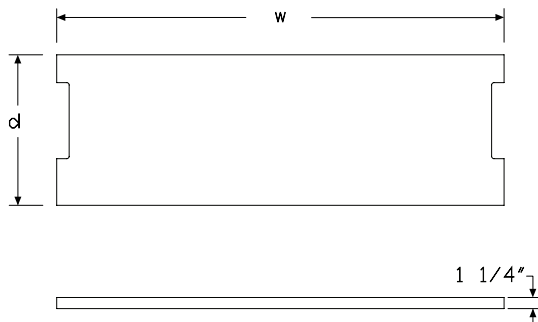
Compatible with basic work table base (C460G.), standard work table base (C461G.xxxxxxxA), and adjustable work table base with upper stretcher placement only (C462x.xxxxxxA).

Compatible only with 36"-high table bases, due to installation clearance needed.

16" deep shelf (C4900.16) is compatible with 24"- and 30"-deep table bases. 18" deep shelf (C4900.18) is compatible with only 30"-deep table bases.

Order warm grey neutral (WN) reagent shelf finish to complement a metallic champagne (CN) table base. Order cool grey neutral (CL) reagent shelf finish to complement a metallic silver (MS) table base. Reagent shelf (C4900.) rests on table base legs and is not height adjustable.

Dimensions



Specification Information

Step 1.

C4900. [A]

Step 2. Depth

16 16" deep [A]

18 18" deep [A]

Step 3. Width

36 36" wide [A]

48 48" wide [A]

72 72" wide [A]

Step 4. Surface Material

L high-pressure laminate [A]

Prices for Steps 1-4.

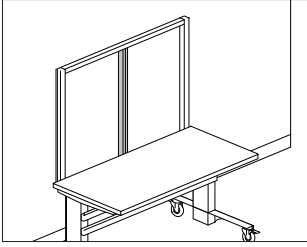
	L
C4900. 16 36	\$548
48	\$618
72	\$893
18 36	\$575
48	\$642
72	\$923

Step 5. Top/Edge Finish

HF inner tone light [A]	+\$0
LT light tone [A]	+\$0
LU soft white [A]	+\$0
WN warm grey neutral [A]	+\$0
CL cool grey neutral [A]	+\$0

Riser Frame Divider

C4320.



Product Information

Description

This piece divides a workstation riser frame into smaller sections and provides upright riser support for hanging components. The dividers bolt to the riser frame at predrilled attachment locations. Finish is black.

Notes

Order workstation (C4310. or C4311.) separately.

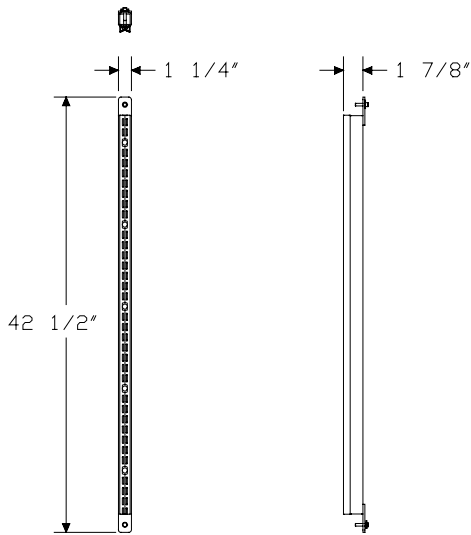
Dimensions

Specification Information

Step 1.

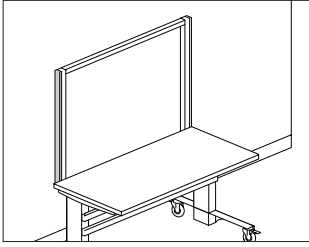
C4320.

\$470



Riser Frame End Cover

C4321.



Co/Struc® Work Surfaces

Product Information

Description

This metal cover finishes the exposed hardware on the end of a riser frame.

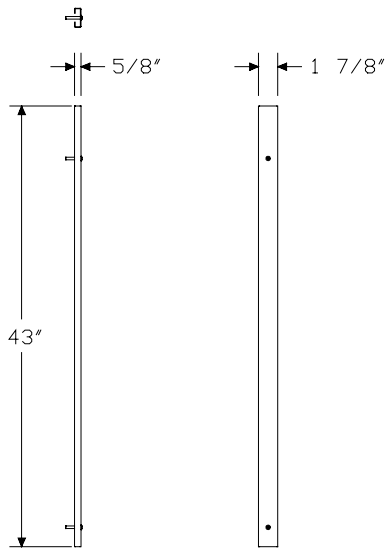
Notes

Specify 2 end covers per riser frame.

Specify end cover finish to match the corresponding finish of workstation (C4310. or C4311.) to which cover will be attached.

Order workstation (C4310. or C4311.) separately.

Dimensions



Specification Information

Step 1.

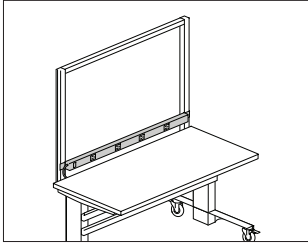
C4321. \$124

Step 2. Finish

HF	inner tone light	+\$0
LT	light tone	+\$0
LU	soft white	+\$0
WN	warm grey neutral	+\$0

Power Strip

C4322.



Product Information

Description

This power strip mounts horizontally on hanger clips and provides single-circuit, 15-amp, 100-volt outlets on a riser frame. It has a lighted on/off switch with circuit breaker and an 8' cord. It is UL listed.

Mounting hardware is included.

Power strips have the following number of outlets:

Width—Outlets

24"—4 outlets

30"—5 outlets

36"—6 outlets

48"—8 outlets

60"—10 outlets

72"—12 outlets

Notes

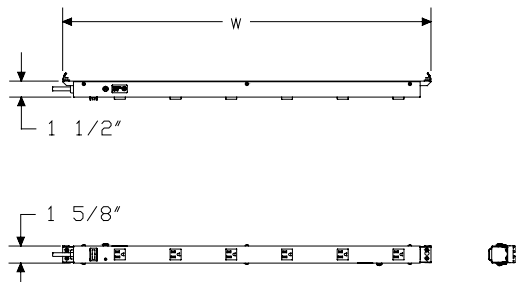
To mount power strip inside riser frame (vertically), specify 36" width.

Specify power strip finish to match the corresponding finish of workstation (C4310. or C4311.) to which it will be attached.

Order workstation (C4310. or C4311.) separately.

For lab modules (C1112., C1114.) and support panels (C1150., C1151.), power strip can be specified as part of the product.

Dimensions



Specification Information

Step 1.

C4322.

Step 2. Width

24	24" wide
30	30" wide
36	36" wide
48	48" wide
60	60" wide
72	72" wide

Prices for Steps 1-2.

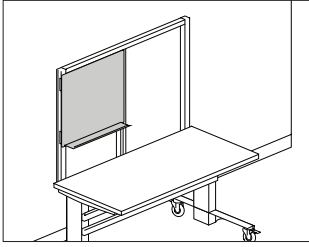
C4322. 24	\$543
30	\$583
36	\$625
48	\$645
60	\$728
72	\$768

Step 3. Finish

HF	inner tone light	+\$0
LT	light tone	+\$0
LU	soft white	+\$0
WN	warm grey neutral	+\$0

Marker Board

C4323.



Co/Struc® Work Surfaces

Product Information

Description
 This 2-sided white board mounts between 2 riser frame dividers or a riser frame and a riser frame divider. Both sides are magnetic with white erasable writing surfaces. Includes a black-texture marker tray on one side only. Mounting hardware is included.

Notes
 Order workstation (C4310. or C4311.) separately.

Dimensions

Specification Information

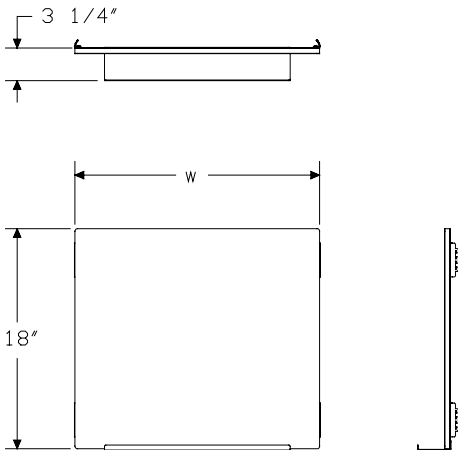
Step 1.
C4323.

Step 2. Width

- 24** 24" wide
- 30** 30" wide
- 36** 36" wide

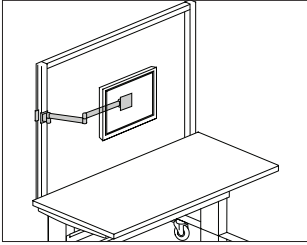
Prices for Steps 1-2.

C4323. 24	\$517
30	\$572
36	\$609



Flat Panel Mount

C4324.



Product Information

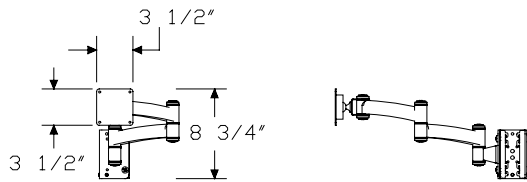
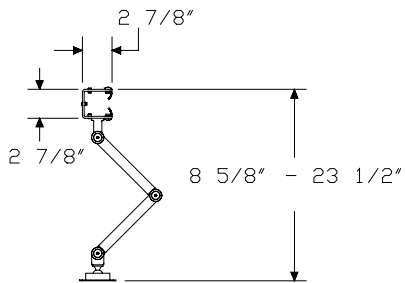
Description

This arm mounts to a workstation riser frame and holds a flat panel display monitor. The arm meets VESA standards (Video Electronic Standards Association - Mounting Interface Standards) with a 100 mm or 75 mm mounting pattern. It provides 360° monitor rotation and 60° horizontal and vertical tilt range. Finish is black. Mounting hardware is included. Finish is black.

Notes

Order workstation (C4310. or C4311.) separately.

Dimensions



Specification Information

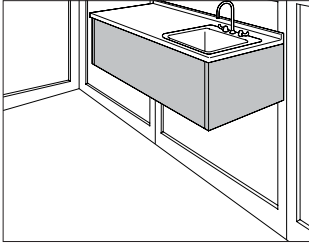
Step 1.

C4324.

\$780

Sink Module

C2512.



Co/Struc® Work Surfaces

Product Information

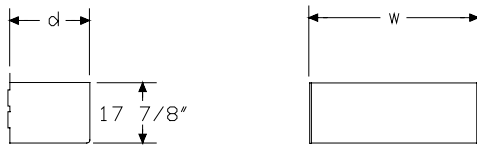
Description
 This component hangs from a module, a support panel, or wall strips and holds a 12"-high sink. It includes a front panel and side panels to conceal the bottom of the sink and left and right work surface supports. Attachment hardware is included. Shipped knocked down. The module accepts the following cutout dimensions:

- Depth:**
- 24": 18¹/₄"-deep maximum cutout
 - 30": 24¹/₄"-deep maximum cutout
- Width:**
- 24": 19⁵/₈"-wide maximum cutout
 - 30": 25⁵/₈"-wide maximum cutout
 - 48": 43⁵/₈"-wide maximum cutout
 - 60": 55⁵/₈"-wide maximum cutout

Notes

Sink must be customer supplied and field installed.
 Order standard duty work surface (C2142.) with solid surface option (K) separately.

Dimensions



Specification Information

Step 1.

C2512.

Step 2. Depth

24	24" deep
30	30" deep

Step 3. Width

24	24" wide
30	30" wide
36	36" wide
48	48" wide
60	60" wide

Prices for Steps 1-3.

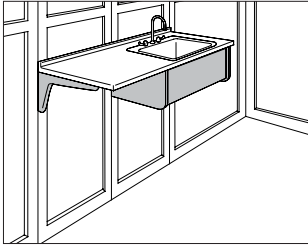
	24	30	36	48	60
C2512. 24	\$772	899	944	989	1075
30	\$918	1075	1133	1184	1326

Step 4. Surface Finish

91	white	+\$0
HF	inner tone light	+\$0
LT	light tone	+\$0
LU	soft white	+\$0
WN	warm grey neutral	+\$0
HM	natural maple	+\$0
76	light brown walnut	+\$0
HX	aged cherry	+\$0

Sink Unit for Storage

C2513.



Product Information

Description

This 24"-deep, 48"-wide structure hangs from 2 24"-wide panels or freestanding modules or from 3 wall strips. It supports drawer storage on the left or right side and a sink unit on the other side. The maximum cutout for the sink is 18¹/₄" deep × 19⁵/₈" wide. The surface includes a front panel and side panels to conceal the bottom of the sink and left and right work surface supports. Attachment hardware is included. Shipped knocked down.

Notes

Order storage components for open space opposite sink unit separately:

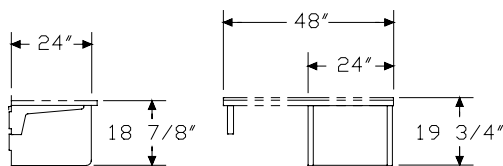
- Drawer bearers (C0228 or C0396)
- Drawer caddy with casters (C0692. or C0693.)
- Gripper package (C0266) and C frame (C0205) for Co/Struc® drawers
- L cart (C0212) and single counter top (C0555) for C frames and drawers when surface is mounted 38" above floor
- Storage case (C5040.2422) and 24"-wide Co/Struc adapter rail (C1610.24)

Sink must be customer supplied and field installed.

Storage unit (C5010.) cannot mount under sink unit.

Order standard duty work surface (C2142.) with solid surface option (K) separately.

Dimensions



Specification Information

Step 1.

C2513.24 \$997

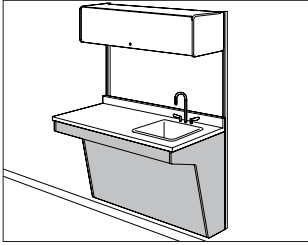
Step 2. Surface Finish

HF	inner tone light	+\$0
LT	light tone	+\$0
LU	soft white	+\$0
WN	warm grey neutral	+\$0
91	white	+\$77

Co/Struc® Work Surfaces

ADA Sink Support, Systems Mounted

C2520.



Co/Struc® Work Surfaces

Product Information

Description

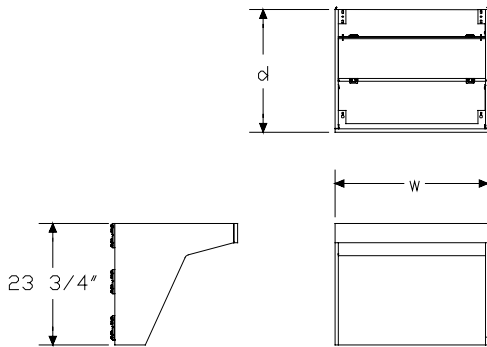
This sink support hangs from a module or wall strips. It supports a 5½"-deep sink and a solid surface or alternative material top. The sink support has a 4"-high laminate front trim and a removable front panel to allow access to plumbing. Attachment hardware is included. Shipped knocked down.

Notes

Order standard duty work surface (C2142.) with solid surface option (K) separately.

Sink must be customer supplied and field installed. A Just SL-ADA-1921-A-GR sink, with drain located in rear center, fits in a 24" x 24" sink support.

Dimensions



Specification Information

Step 1.

C2520.

Step 2. Depth

24	24" deep
30	30" deep

Step 3. Width

24	24" wide
30	30" wide
48	48" wide
60	60" wide

Prices for Steps 1-3.

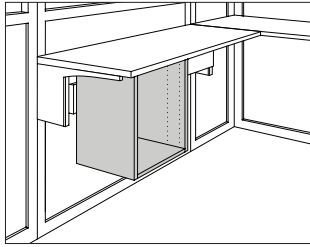
	24	30	48	60
C2520. 24	\$1309	1474	1635	1798
30	\$1391	1553	1798	1962

Step 4. Surface Finish

91	white	+\$123
HF	inner tone light	+\$0
LT	light tone	+\$0
LU	soft white	+\$0
WN	warm grey neutral	+\$0
HM	natural maple	+\$123
HX	aged cherry	+\$123

Storage Unit

C5010.



Product Information

Description

This cabinet hangs below a heavy-duty work surface or process table. It has 2 side panels, a back panel, and a top and bottom panel.

Notes

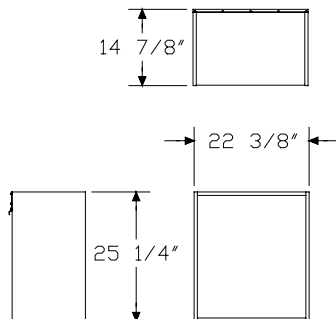
Order heavy-duty work surface (C2141.), process table (C4313.), standard work table base (C461G.), adjustable lab work table base (C462G., C462C.), work table (C4312.), or workstation (C4310. or C4311.) separately.

Order shelves (C5015.1622) separately; shelves adjust in 1 1/4" increments.

Order A-size drawers (CO207) or B-size drawers (CO208) and lockable drawer bearer (C5048.) separately.

Order storage unit door (C5016. or C5017.) separately.

Dimensions



Specification Information

Step 1.

C5010.1622 \$924

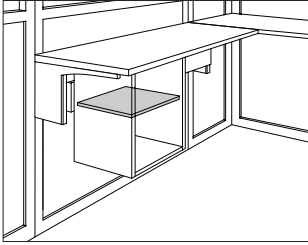
Step 2. Surface Finish

HF	inner tone light	+\$0
LT	light tone	+\$0
LU	soft white	+\$0
WN	warm grey neutral	+\$0
91	white	+\$62
HM	natural maple	+\$62
HX	aged cherry	+\$62

Co/Struc® Storage

Storage Unit Shelf

C5015.



Product Information

Description

This shelf mounts inside a storage unit and adjusts in 1 1/4" increments.

Notes

Order storage unit (C5010.) separately.

Dimensions

Specification Information

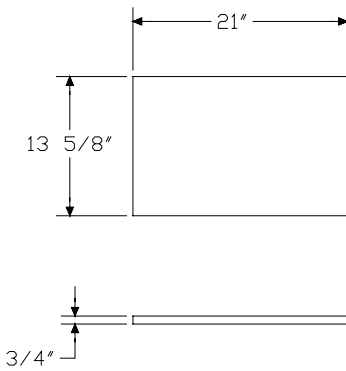
Step 1.

C5015.1622 \$258

Step 2. Surface Finish

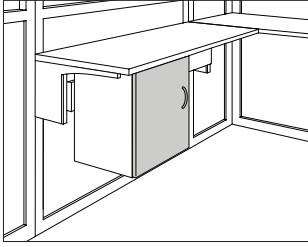
HF	inner tone light	+\$0
LT	light tone	+\$0
LU	soft white	+\$0
WN	warm grey neutral	+\$0
91	white	+\$16
HM	natural maple	+\$16
HX	aged cherry	+\$16

Co/Struc® Storage



Storage Unit Door

C5016.
C5017.



Product Information

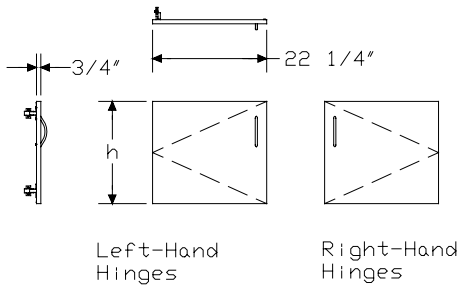
Description

This door attaches to the front of a storage unit. Attachment hardware is included.

Notes

Co/Struc® drawers cannot be specified behind doors.
When specifying 19"- or 22"-high lockable door that has drawers above it, specify interior filler (C5009.) to prevent access to cabinet below.
For general information on locks, see Keyed-Alike Information in Appendices.

Dimensions



Specification Information

Step 1.

C501

Step 2. Hinge Location

- 6. left-hand hinges
- 7. right-hand hinges

Step 3. Height

- 1922** 19" high
- 2222** 22" high
- 2522** 25" high

Step 4. Lock

- N** no lock
- L** keyed differently
- K** keyed alike

Prices for Steps 1-4.

	N	L	K
C5016. 1922	\$333	416	416
2222	\$382	465	465
2522	\$445	525	525
C5017. 1922	\$333	416	416
2222	\$382	465	465
2522	\$445	525	525

Step 5. Surface Finish

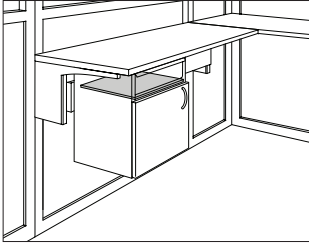
HF	inner tone light	+\$0
LT	light tone	+\$0
LU	soft white	+\$0
WN	warm grey neutral	+\$0
91	white	+\$31
HM	natural maple	+\$31
HX	aged cherry	+\$31

Step 6. Pull Option/Finish

NN	none	+\$0
BK	black	+\$0
NH	brushed nickel	+\$0

Interior Filler

C5009.



Product Information

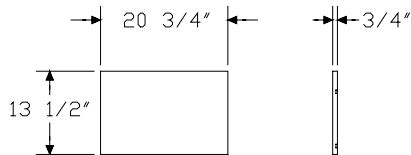
Description

This filler mounts inside a storage unit and provides closure to the cabinet below when Co/Struc drawers are installed. It mounts at either 19" or 22" high.

Notes

Order storage unit (C5010.) separately.
 Filler is used with A-size drawers (CO207) or B-size drawers (CO208).

Dimensions



Specification Information

Step 1.

C5009.1622 \$258

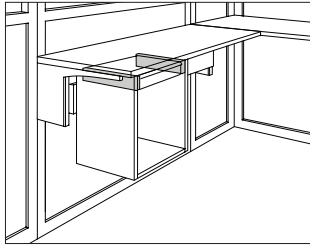
Step 2. Surface Finish

HF	inner tone light	+\$0
LT	light tone	+\$0
LU	soft white	+\$0
WN	warm grey neutral	+\$0
91	white	+\$16
HM	natural maple	+\$16
HX	aged cherry	+\$16

Co/Struc® Storage

Lockable Drawer Bearer

C5048.



Product Information

Description

These drawer bearers attach Co/Struc® A-, B-, or C-size drawers in a storage unit. They have integral stops to prevent drawers from falling when pulled out. Mounting hardware is included. Finish is black. Package contains 1 pair.

Notes

Order A-size drawers (CO207), B-size drawers (CO208), or C-size drawers (CO209) separately.
Can be used with locking or non-locking drawers.

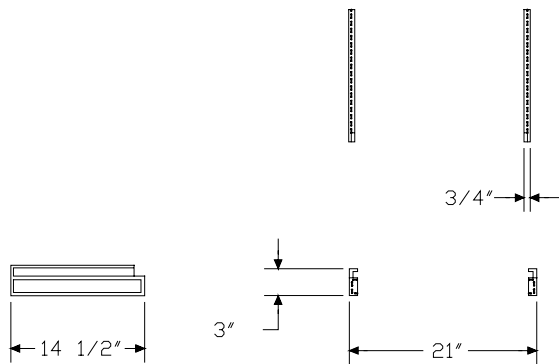
Dimensions

Specification Information

Step 1.

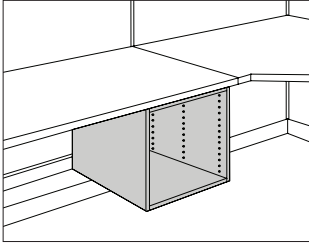
C5048.

\$112



Storage Case

C5040.



Co/Struc® Storage

Product Information

Description

This case mounts under a heavy-duty rectangular or corner work surface. It has 2 side panels, a back panel, and a top and bottom panel. Interior components can be height adjusted in 1 1/4" increments.

Notes

Order heavy-duty work surface (C2141.) or heavy-duty corner work surface (C2215. or C2216.) separately.

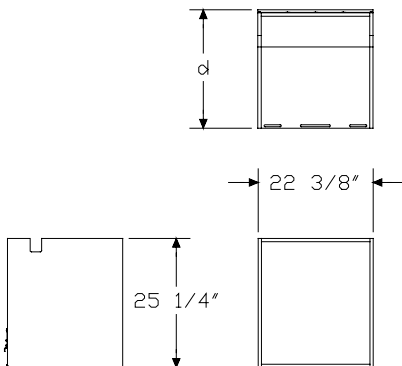
To support case mounted under rectangular work surface, order adapter rail (C1610.)

Order optional products separately:

- Storage case bottle drawer (C5045.)
- Storage case door (C5052. or C5053.)
- Storage case drawer (C5043. or C5044.)
- Storage case pullout shelf (C5042.)
- Storage case shelf (C5041.)

For top slot of case, specify 16"-deep drawer or shelf to clear support beam under heavy-duty work surface.

Dimensions



Specification Information

Step 1.

C5040.

Step 2. Depth

2422 23" deep

3022 29" deep

Prices for Steps 1-2.

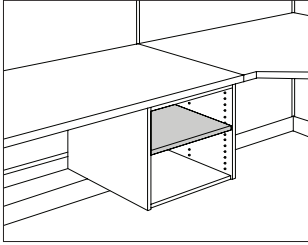
C5040. 2422	\$1013
3022	\$1113

Step 3. Surface Finish

HF	inner tone light	+\$0
LT	light tone	+\$0
LU	soft white	+\$0
WN	warm grey neutral	+\$0
91	white	+ \$72
HM	natural maple	+ \$72
HX	aged cherry	+ \$72

Storage Case Shelf

C5041.



Product Information

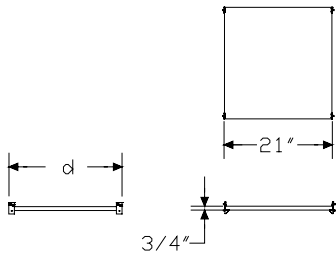
Description

This shelf mounts inside a storage case and adjusts in 1 1/4" increments.

Notes

To clear support beam on heavy-duty work surface, shelf must be positioned at least 2 1/2" below the surface.

Dimensions



Specification Information

Step 1.

C5041.

Step 2. Depth

2422 23" deep

3022 29" deep

Prices for Steps 1-2.

C5041. 2422	\$319
3022	\$335

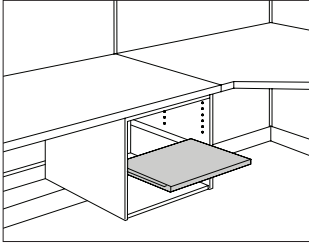
Step 3. Surface Finish

HF	inner tone light	+\$0
LT	light tone	+\$0
LU	soft white	+\$0
WN	warm grey neutral	+\$0
91	white	+\$21
HM	natural maple	+\$21
HX	aged cherry	+\$21

Co/Struc® Storage

Storage Case Pullout Shelf

C5042.



Product Information

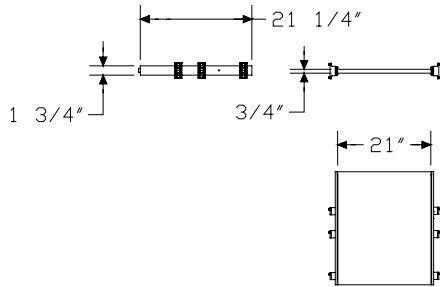
Description

This pullout shelf is 21 1/4" deep and mounts inside a storage case. It adjusts in 1/4" increments.

Notes

To clear support beam on heavy-duty work surface, shelf must be positioned at least 2 1/2" below the surface.

Dimensions



Specification Information

Step 1.

C5042.2422 \$447

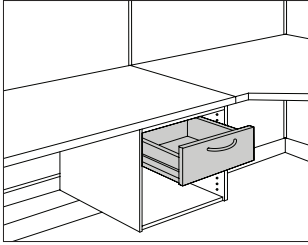
Step 2. Surface Finish

HF	inner tone light	+\$0
LT	light tone	+\$0
LU	soft white	+\$0
WN	warm grey neutral	+\$0
91	white	+\$33
HM	natural maple	+\$33
HX	aged cherry	+\$33

Co/Struc® Storage

Storage Case Drawer

C5043.
C5044.



Product Information

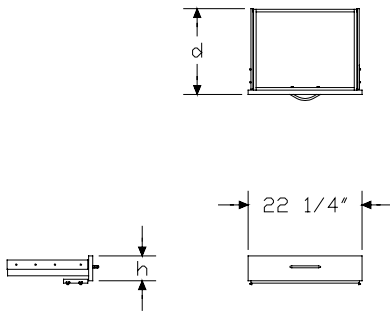
Description

This drawer mounts inside a storage case and is available with or without a lock. The 22" deep drawer cannot be used in the top position of a storage case.

Notes

For general information on locks, see Keyed-Alike Information in Appendices.

Dimensions



Specification Information

Step 1.

C504

Step 2. Depth

- 3. 16" deep
- 4. 22" deep

Step 3. Height

For 16" deep (3.)

- 0422 small, 5" high
- 0822 medium, 7¹/₂" high

For 22" deep (4.)

- 0422 small, 5" high
- 0822 medium, 7¹/₂" high
- 1222 large, 10" high

Step 4. Lock

- N no lock
- L keyed differently
- K keyed alike

Prices for Steps 1-4.

	N	L	K
C5043. 0422	\$424	700	700
0822	\$532	798	798
C5044. 0422	\$468	618	618
0822	\$561	831	831
1222	\$590	862	862

Step 5. Surface Finish

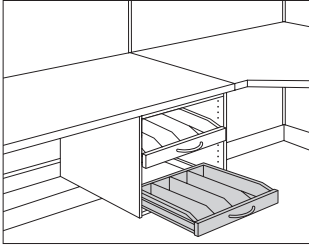
HF	inner tone light	+\$0
LT	light tone	+\$0
LU	soft white	+\$0
WN	warm grey neutral	+\$0
91	white	+\$41
HM	natural maple	+\$41
HX	aged cherry	+\$41

Step 6. Pull Option/Finish

NN	none	+\$0
BK	black	+\$0
NH	brushed nickel	+\$0

Storage Case Bottle Drawer

C5045.

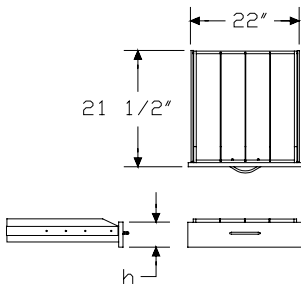


Product Information

Description

This pullout drawer mounts in a storage case and has a partial-height front for easy access to contents. It includes 3 dividers.

Dimensions



Co/Struc® Storage

Specification Information

Step 1.

C5045.

Step 2. Height

0822 5" high

1222 7 1/2" high

Prices for Steps 1-2.

C5045. 0822	\$936
1222	\$998

Step 3. Surface Finish

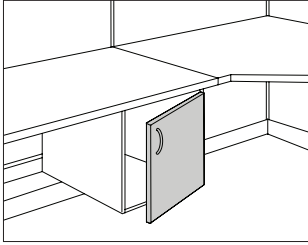
HF	inner tone light	+\$0
LT	light tone	+\$0
LU	soft white	+\$0
WN	warm grey neutral	+\$0
76	light brown walnut	+\$62
91	white	+\$62
HM	natural maple	+\$62
HX	aged cherry	+\$62

Step 4. Pull Option/Finish

NN	none	+\$0
BK	black	+\$0
NH	brushed nickel	+\$0

Storage Case Door

C5052.
C5053.



Product Information

Description

This door attaches to the front of a storage case. Attachment hardware is included.

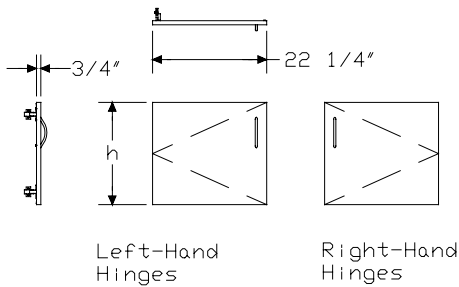
Notes

Co/Struc® storage case drawers and storage case bottle drawers cannot be specified behind doors.

When specifying 17"- or 20"-high lockable door that has drawers above it, specify storage case shelf (C5041.) to prevent access to cabinet below.

For general information on locks, see Keyed-Alike Information in Appendices.

Dimensions



Specification Information

Step 1.

C505

Step 2. Hinge Location

2. left-hand hinges
3. right-hand hinges

Step 3. Height

- 1722** 17" high
- 2022** 20" high
- 2522** 25" high

Step 4. Lock

- N** no lock
- L** keyed differently
- K** keyed alike

Prices for Steps 1-4.

	N	L	K
C5052. 1722	\$325	405	405
2022	\$351	433	433
2522	\$440	524	524
C5053. 1722	\$334	420	420
2022	\$361	447	447
2522	\$456	541	541

Step 5. Surface Finish

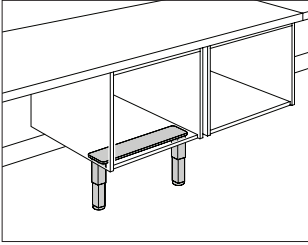
91	white	+\$31
HF	inner tone light	+\$0
LT	light tone	+\$0
LU	soft white	+\$0
WN	warm grey neutral	+\$0
HM	natural maple	+\$31
HX	aged cherry	+\$31

Step 6. Pull Option/Finish

NN	none	+\$0
BK	black	+\$0
NH	brushed nickel	+\$0

Storage Case Leg

C5050.



Product Information

Description
This leg supports a storage case mounted under a heavy-duty work surface. It provides support when the work surface holds heavy loads. The legs adjust in 1/2" increments to allow a work surface height of 34" to 38". Leg finish is medium tone.

Notes

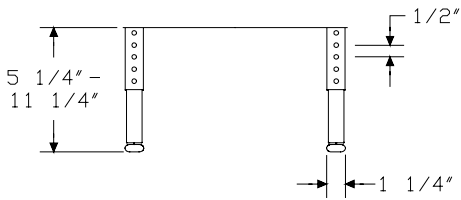
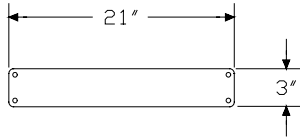
Order storage case (C5040.) separately.

Dimensions

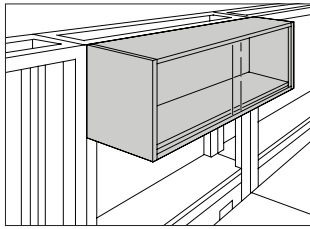
Specification Information

Step 1.
C5050. \$256

Co/Struc® Storage



Storage Unit with Sliding Doors C5014.



Product Information

Description

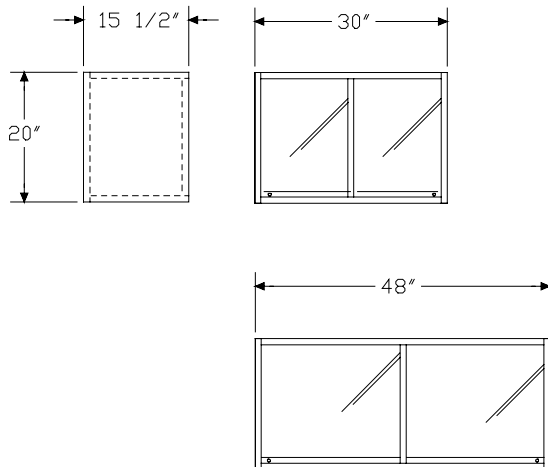
This unit hangs on a module, support panel, or wall strips above a work surface. It has sliding glass doors. Shipped knocked down.

Notes

Order optional task light separately:

- Under shelf LED task light (G6170.)

Dimensions



Specification Information

Step 1.

C5014.16

Step 2. Width

30 30" wide

48 48" wide

Prices for Steps 1-2.

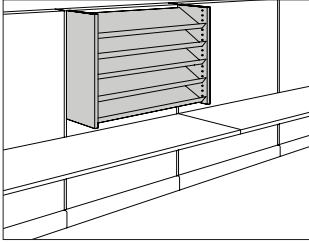
C5014.16 30	\$1858
48	\$2172

Step 3. Surface Finish

HF	inner tone light	+\$0
LT	light tone	+\$0
LU	soft white	+\$0
WN	warm grey neutral	+\$0
91	white	+\$113
HM	natural maple	+\$113
HX	aged cherry	+\$113

Shelf Unit

C5020.
C5021.



Product Information

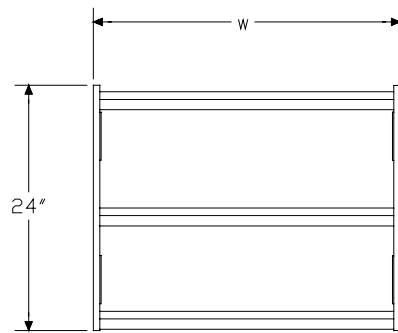
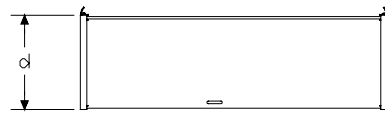
Description

This 3- or 5-shelf unit hangs from a module, panel, or wall strips. It has 9"- or 16"-deep shelves that adjust in 2½" increments. Shelves are flat or slanted at either 11° or 22° angles for gravity-feed dispensing. Shipped knocked down.

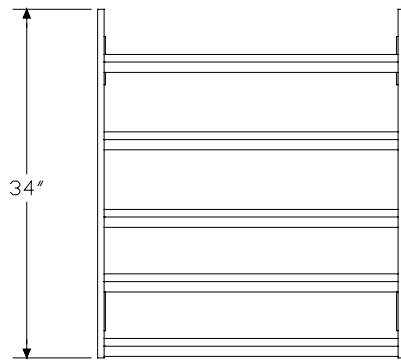
Notes

- For additional shelf, order add-on shelf (C5025.) separately.
- To cover shelf unit with dust cover, order add-on shelf (C5025.) and place in top position of unit.
- To enclose back of unit, order back panel (C5026.) separately.
- To hang unit on architectural wall and enclose back of unit, order shelf unit wall attachment panel (C5036.) separately.
- To enclose front of unit, order shelf unit door (C5027., C5028., C5032., C5037., or C5038.) separately.
- To ease cleaning and prevent the stacking of materials on top of shelf unit, order sloped shelf unit top (C0397.) separately.
- Order optional task light for 16"-deep unit separately:
 - Under shelf LED task light (G6170.)
- To attach task light to slanted shelf, order light bracket (C5051.) separately.

Dimensions



3 Shelves



5 Shelves

Shelf Unit *continued*

Specification Information

Step 1.

C502

Step 2. Shelves/Height

- 0.** 3 shelves and 24" high
- 1.** 5 shelves and 34" high

Step 3. Depth

- 09** 9" deep
- 16** 16" deep

Step 4. Width

- 24** 24" wide
- 30** 30" wide
- 36** 36" wide
- 48** 48" wide

Prices for Steps 1-4.

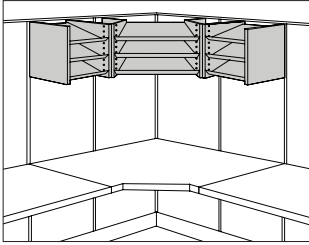
	24	30	36	48
C5020. 09	\$644	681	696	733
16	\$807	850	897	1004
C5021. 09	\$905	935	974	1038
16	\$1087	1158	1228	1359

Step 5. Side Panel/Shelf Finish

HF	inner tone light			+\$0
LT	light tone			+\$0
LU	soft white			+\$0
WN	warm grey neutral			+\$0
91	white			+\$62

Shelf Unit, Diagonal Corner

C5022.



Co/Struc® Storage

Product Information

Description

This unit hangs from 24"-wide panels connected by an Action Office® 2-way 90° connector or wall strips used in a corner position. Shelves adjust in 2½" increments and are flat or slanted at either 11° or 22° angles for gravity-feed dispensing. Shipped knocked down.

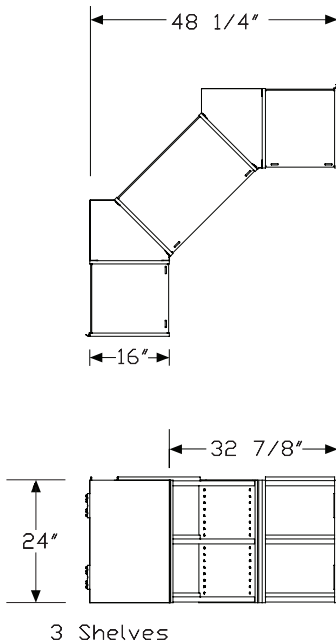
Notes

For additional shelf in center section, order 24"-wide add-on shelf (C5025.1624). For additional shelf in side section, order 14"-wide add-on shelf (C5025.1614).

To cover back of center unit, order back panel (C5026.) separately.

To attach task light to slanted center shelf, order light bracket (C5051.) separately.

Dimensions



Specification Information

Step 1.

C502

Step 2. Shelves/Height

2.1648 3 shelves and 24" high

Prices for Steps 1-2.

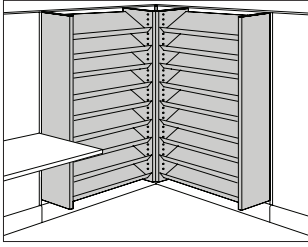
C5022.1648 \$2521

Step 3. Side Panel/Shelf Finish

91	white	+\$164
HF	inner tone light	+\$0
LT	light tone	+\$0
LU	soft white	+\$0
WN	warm grey neutral	+\$0

Shelf Unit, 90° Corner

C5024.



Product Information

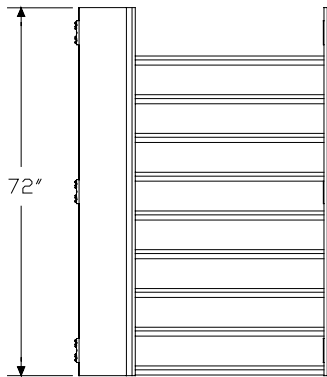
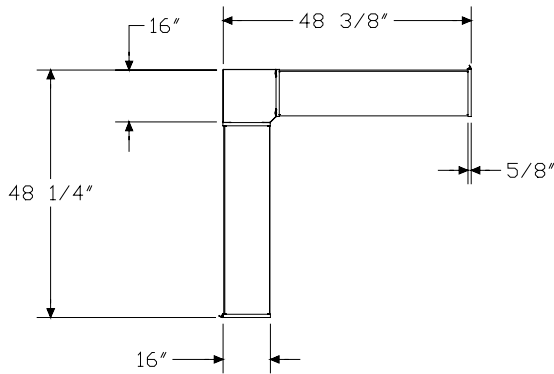
Description

This 72"-high shelf unit hangs from 24"- or 48"-wide panels connected by 1 or 2 Action Office® 2-way 90° connectors or hangs from wall strips used in 1 or 2 90° corners. Shelves adjust in 2½" increments and are flat or slanted at either 11° or 22° angles for gravity-feed dispensing. Shipped knocked down.

Notes

For additional shelf, order add-on shelf (C5025.1631) separately.
To cover shelf unit with dust cover, order add-on shelf (C5025.1631) and place in top position of unit.

Dimensions



Specification Information

Step 1.

C5024.1648 \$4608

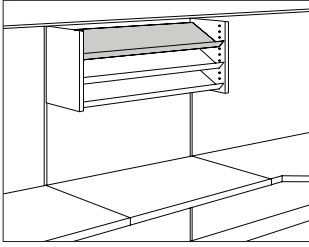
Step 2. Side Panel/Shelf Finish

HF	inner tone light	+\$0
LT	light tone	+\$0
LU	soft white	+\$0
WN	warm grey neutral	+\$0
91	white	+\$308

Co/Struc® Storage

Add-On Shelf, Shelf Unit

C5025.



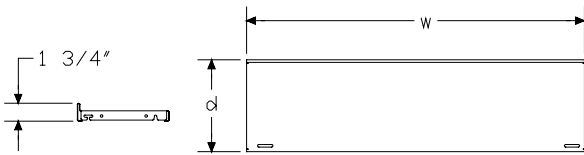
Product Information

Description

This shelf fits inside a shelf unit, diagonal corner shelf unit, or 90° corner shelf unit. It is used as an additional shelf or dust cover.

Dimensions

Co/Struc® Storage



Specification Information

Step 1.

C5025.

Step 2. Depth

- 09** 9" deep
- 16** 16" deep

Step 3. Width

For 9" deep (09)

- 24** 22³/₄" wide
- 30** 28³/₄" wide
- 36** 34³/₄" wide
- 48** 46³/₄" wide

For 16" deep (16)

- 14** 13¹/₂" wide
- 24** 22³/₄" wide
- 30** 28³/₄" wide
- 31** 30¹/₂" wide
- 36** 34³/₄" wide
- 48** 46³/₄" wide

Prices for Steps 1-3.

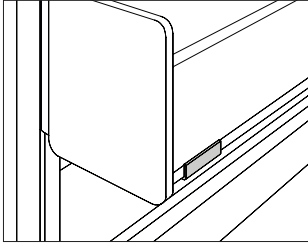
	14	24	30	31	36	48
C5025. 09	—	\$132	143	—	150	172
16	\$138	170	174	180	182	197

Step 4. Shelf Finish

- 91** white +\$11
- HF** inner tone light +\$0
- LT** light tone +\$0
- LU** soft white +\$0
- WN** warm grey neutral +\$0

Shelf Label Clip

C0398



Product Information

Description

This 3"-wide clip fastens to the edge of a metal shelf and holds content labels. Stick-on labels can be applied to the front of the clip or slide-in labels can be inserted from the back. Package contains 36 clear clips.

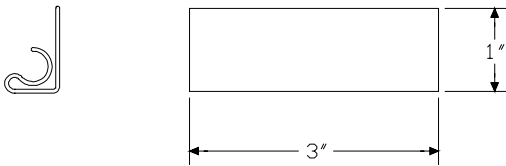
Dimensions

Specification Information

Step 1.

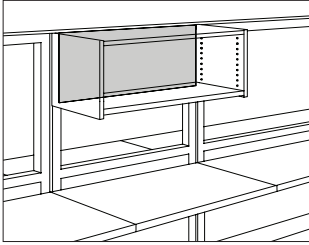
C039827

\$189



Shelf Unit Back Panel

C5026.



Co/Struc® Storage

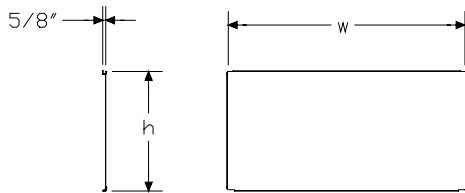
Product Information

Description
 This panel attaches to a 3- or 5-shelf unit or diagonal corner shelf unit and closes the back. The shelf unit's top and bottom shelves must be flat.

Notes

Order shelf unit (C5020. or C5021.) or diagonal corner shelf unit (C5022.) separately.

Dimensions



Specification Information

Step 1.

C5026.

Step 2. Height

- 24** 24" high
- 34** 34" high

Step 3. Width

- 24** 22³/₄" wide
- 30** 28³/₄" wide
- 36** 34³/₄" wide
- 48** 46³/₄" wide

Prices for Steps 1-3.

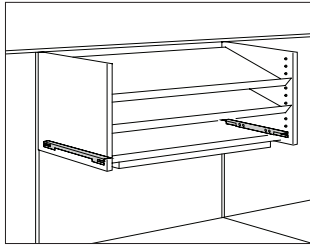
	24	30	36	48
C5026. 24	\$257	278	299	356
34	\$308	336	363	422

Step 4. Surface Finish

- HF** inner tone light +\$0
- LT** light tone +\$0
- LU** soft white +\$0
- WN** warm grey neutral +\$0

Light Bracket

C5051.



Product Information

Description

These brackets fasten a task light to the bottom of an overhead cabinet, a flat or slanted shelf in a 3- or 5-shelf unit, or a center shelf in a diagonal corner shelf unit. Package contains 1 pair. Finish is black.

Notes

For 16"-deep shelf, order under shelf LED task light (G6170.) separately.

Dimensions

Specification Information

Step 1.

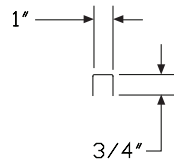
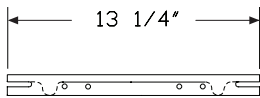
C5051.

Step 2. Usage

16 for 16"-deep shelf

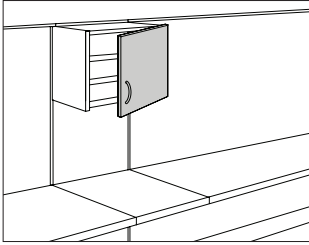
Prices for Steps 1-2.

C5051. 16 \$163



Shelf Unit Door

C5027.
C5028.



Co/Struc® Storage

Product Information

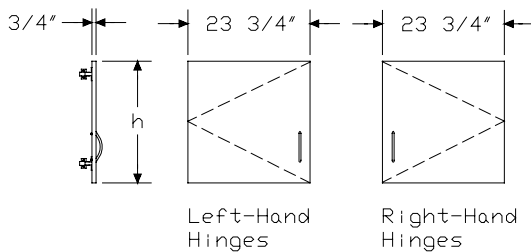
Description

This 24"-wide door encloses a shelf unit. Attachment hardware is included.

Notes

For 24"-high door, order 3-shelf unit (C5020.) separately.
For 34"-high door, order 5-shelf unit (C5021.) separately.
For keyed-alike locks, order lock plugs separately. See Keyed-Alike Information in Appendices.

Dimensions



Specification Information

Step 1.

C502

Step 2. Hinge Location

- 7. left-hand hinges
- 8. right-hand hinges

Step 3. Height

- 2424** 24" high
- 3424** 34" high

Step 4. Lock

- N** no lock
- L** keyed differently
- K** keyed alike

Prices for Steps 1-4.

	N	L	K
C5027. 2424	\$511	657	657
3424	\$670	817	817
C5028. 2424	\$500	647	647
3424	\$664	806	806

Step 5. Surface Finish

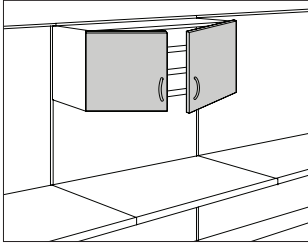
HF	inner tone light	+\$0
LT	light tone	+\$0
LU	soft white	+\$0
WN	warm grey neutral	+\$0
91	white	+\$41
HM	natural maple	+\$41
HX	aged cherry	+\$41

Step 6. Pull Option/Finish

NN	none	+\$0
BK	black	+\$0
NH	brushed nickel	+\$0

Shelf Unit Double Doors

C5032.



Product Information

Description

These doors enclose a shelf unit. The doors are available with or without a lock. Attachment hardware is included.

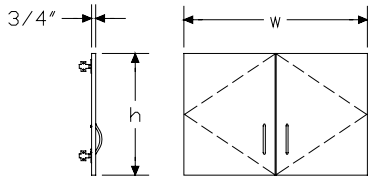
Notes

For 24" high doors, order 3-shelf unit (C5020.) separately.

For 34" high doors, order 5-shelf unit (C5021.) separately.

For keyed-alike locks, order lock plugs separately. See Keyed-Alike Information in Appendices.

Dimensions



Specification Information

Step 1.

C5032.

Step 2. Height

- 24** 24" high
- 34** 34" high

Step 3. Width

- 30** 30" wide
- 36** 36" wide
- 48** 48" wide

Step 4. Lock

- N** no lock
- L** keyed differently
- K** keyed alike

Prices for Steps 1-4.

	N	L	K
C5032. 24 30	\$552	708	708
36	\$647	801	801
48	\$794	944	944
34 30	\$718	868	868
36	\$842	996	996
48	\$1102	1256	1256

Step 5. Surface Finish

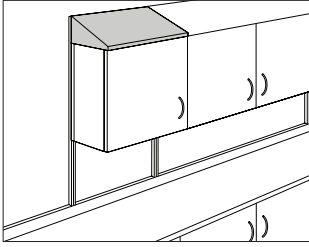
HF	inner tone light	+\$0
LT	light tone	+\$0
LU	soft white	+\$0
WN	warm grey neutral	+\$0
91	white	+\$52
HM	natural maple	+\$52
HX	aged cherry	+\$52

Step 6. Pull Option/Finish

NN	none	+\$0
BK	black	+\$0
NH	brushed nickel	+\$0

Sloped Shelf Unit Top

C0397.



Co/Struc® Storage

Product Information

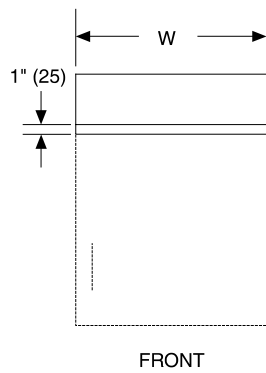
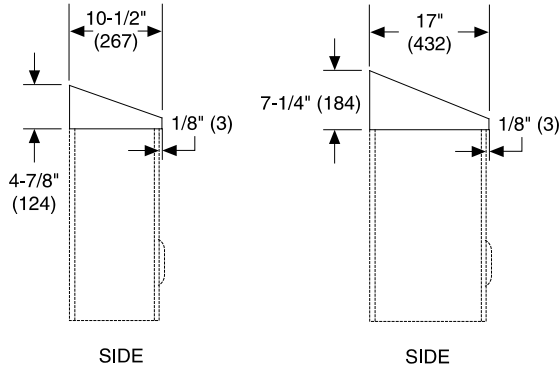
Description

This top attaches to a shelf unit. It is sloped to ease cleaning and prevent the stacking of materials on top of the cabinet.

Notes

Order shelf unit (C5020. or C5021.) separately.

Dimensions



Specification Information

Step 1.

C0397.

Step 2. Depth

- 09** 10¹/₂" deep
- 16** 17" deep

Step 3. Width

- 24** 24" wide
- 30** 30" wide
- 36** 36" wide
- 48** 48" wide

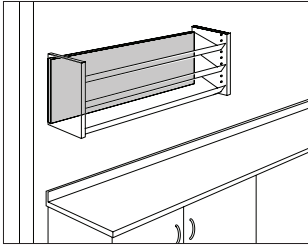
Prices for Steps 1-3.

	24	30	36	48
C0397.09	\$387	433	469	512
16	\$433	464	512	610

Step 4. Surface Finish

- HF** inner tone light +\$0
- LT** light tone +\$0
- LU** soft white +\$0
- WN** warm grey neutral +\$0

Shelf Unit Wall Attachment Panel C5036.



Product Information

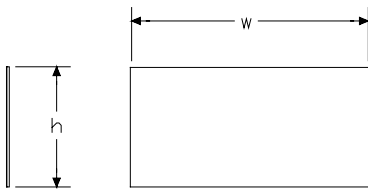
Description

This panel encloses the back of a 3- or 5-shelf unit and allows the shelf unit to hang on an architectural wall.

Notes

Order 3-shelf unit (C5020.) or 5-shelf unit (C5021.) separately.

Dimensions



Specification Information

Step 1.

C5036.

Step 2. Height

24 24" high

34 34" high

Step 3. Width

24 24" wide

30 30" wide

36 36" wide

48 48" wide

Prices for Steps 1-3.

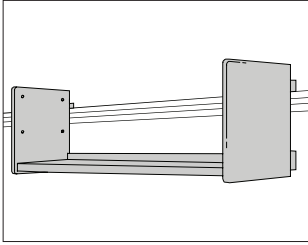
	24	30	36	48
C5036. 24	\$308	343	415	482
34	\$333	357	422	503

Step 4. Surface Finish

HF	inner tone light			+\$0
LT	light tone			+\$0
LU	soft white			+\$0
WN	warm grey neutral			+\$0
91	white			+\$26
HM	natural maple			+\$26
HX	aged cherry			+\$26

B-Style Rail-Hanging Shelf

C0521.



Co/Struc® Storage

Product Information

Description

This 15 1/2"-high shelf with a lip hangs from a standard rail or adapter rail. It can hold up to 2 add-on shelves. The underside of the shelf accepts a task light. Attachment hardware is included. Shipped knocked down.

Notes

For enclosed storage, order B-style flipper door (A3310., A3312., or A3313.) separately.

For fully enclosed storage, order A-/B-style flipper door back panel (A3390.) and B-style flipper door (A3310., A3312., or A3313.) separately.

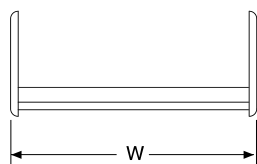
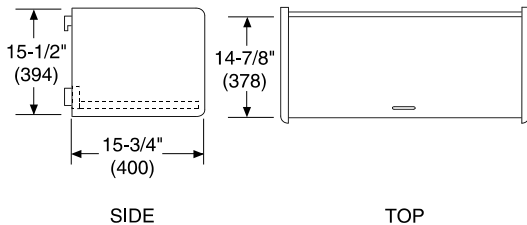
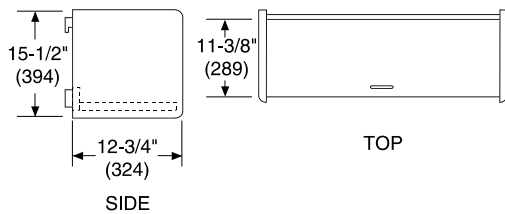
Order optional add-on shelves of equal depth and width separately:

- Add-on shelf (A0521.1524 or A0521.1548)
- Add-on shelf with lip (C3019.)

Order optional task light separately:

- Under shelf LED task light (G6170.)

Dimensions



FRONT

Specification Information

Step 1.

C0521.

Step 2. Depth

- 13** 13" deep
- 16** 16" deep

Step 3. Width

- 24** 24" wide
- 30** 30" wide
- 36** 36" wide
- 42** 42" wide
- 48** 48" wide

Prices for Steps 1-3.

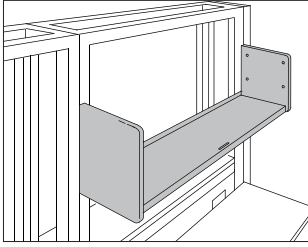
	24	30	36	42	48
C0521.13	\$573	588	611	628	662
16	\$792	809	850	870	944

Step 4. Surface Finish

HF	inner tone light	+\$0
LT	light tone	+\$0
LU	soft white	+\$0
WN	warm grey neutral	+\$0

B-Style Shelf

C3011.



Product Information

Description

This 15 1/2"-high shelf with a lip hangs from a panel, a freestanding module, or wall strips. It can hold up to 2 add-on shelves. The underside of the shelf accepts a task light. Attachment hardware is included. Shipped knocked down.

Notes

For enclosed storage, order B-style flipper door (A3310., A3312., or A3313.) separately.

For fully enclosed storage of 24"- to 48"-wide shelf, order A-/B-style flipper door back panel (A3390.) and B-style flipper door (A3310., A3312., or A3313.) separately.

Order optional add-on shelves of equal depth and width separately:

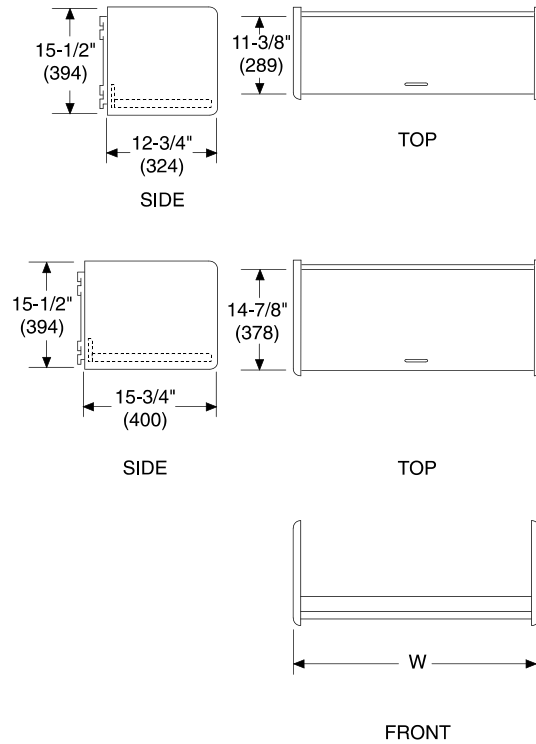
- Add-on shelf (A0521.1524 or A0521.1548)
- Add-on shelf with lip (C3019.)

For 60"-wide shelf, order 60"-wide task light.

Order optional task light separately:

- Under shelf LED task light (G6170.)

Dimensions



B-Style Shelf *continued*

Co/Struc® Storage

Specification Information

Step 1.

C3011.

Step 2. Depth

13 13" deep

16 16" deep

Step 3. Width

24 24" wide

30 30" wide

36 36" wide

42 42" wide

48 48" wide

60 60" wide

Prices for Steps 1-3.

	24	30	36	42	48	60
C3011. 13	\$313	329	349	361	383	422
16	\$448	466	489	508	557	668

Step 4. Surface Finish

HF inner tone light +\$0

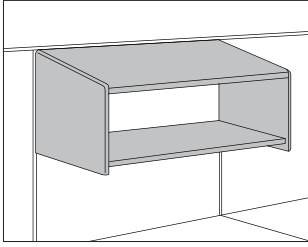
LT light tone +\$0

LU soft white +\$0

WN warm grey neutral +\$0

B-Style Shelf with Sloped Top

C3091.



Product Information

Description

This 16"-deep shelf hangs from a panel, a freestanding module, or wall strips and has a sloped metal top. A filler piece is included for enclosed storage applications. The underside of the shelf accepts a task light. Attachment hardware is included. Shipped knocked down.

Notes

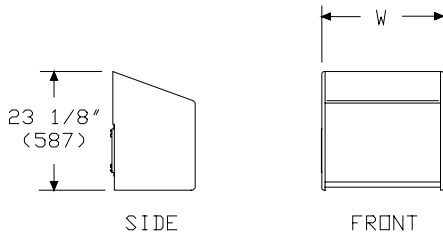
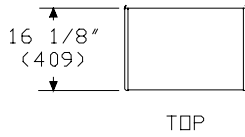
For enclosed storage, order B-style flipper door (A3310., A3312., or A3313.) separately.

To enclose back of shelf, order A-/B-style flipper door back panel (A3390.) separately.

Order optional task light separately:

- Under shelf LED task light (G6170.)

Dimensions



Specification Information

Step 1.

C3091.16

Step 2. Width

24	24" wide
30	30" wide
42	42" wide
48	48" wide

Prices for Steps 1-2.

C3091.16	24	\$622
	30	\$652
	42	\$758
	48	\$792

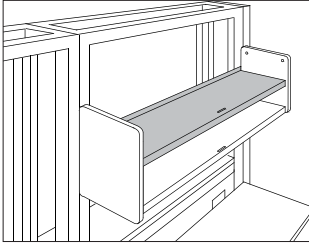
Step 3. Surface Finish

HF	inner tone light	+\$0
LT	light tone	+\$0
LU	soft white	+\$0
WN	warm grey neutral	+\$0

Co/Struc® Storage

Add-On Shelf with Lip

C3019.



Co/Struc® Storage

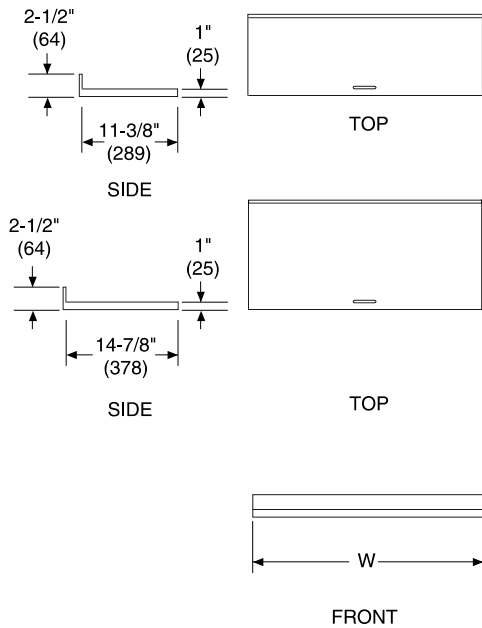
Product Information

Description
This shelf fits into a B-style shelf or B-style rail-hanging shelf to add a second shelf. Attachment hardware is included.

Notes
Order support components separately:

- B-style (C3011.) shelf
- B-style (CO521.) rail-hanging shelf

Dimensions



Specification Information

Step 1.

C3019.

Step 2. Depth

- 13** 13" deep
- 16** 16" deep

Step 3. Width

- 24** 24" wide
- 30** 30" wide
- 36** 36" wide
- 42** 42" wide
- 48** 48" wide
- 60** 60" wide

Prices for Steps 1-3.

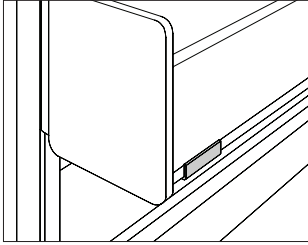
	24	30	36	42	48	60
C3019. 13	\$182	192	213	226	245	274
16	\$268	283	306	324	376	470

Step 4. Surface Finish

HF	inner tone light					+\$0
LT	light tone					+\$0
LU	soft white					+\$0
WN	warm grey neutral					+\$0

Shelf Label Clip

C0398



Product Information

Description

This 3"-wide clip fastens to the edge of a metal shelf and holds content labels. Stick-on labels can be applied to the front of the clip or slide-in labels can be inserted from the back. Package contains 36 clear clips.

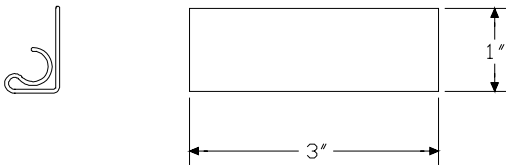
Dimensions

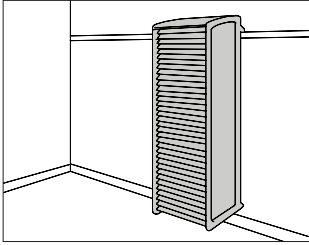
Specification Information

Step 1.

C039827

\$189





Co/Struc® Storage

Product Information

Description

This enclosed storage unit hangs on rails for stationary storage, or it is used with the TR3 cart for mobile storage. The locker has 20 drawer slots in 3" increments and holds interchangeable components.

The locker has the following lock options: no lock, keyed lock, or keyless lock. The keyless lock mounts on the right-hand side and front of the locker. It includes a back-up keyed lock. The keyless lock is shipped with the battery.

Notes

Order rail components separately:

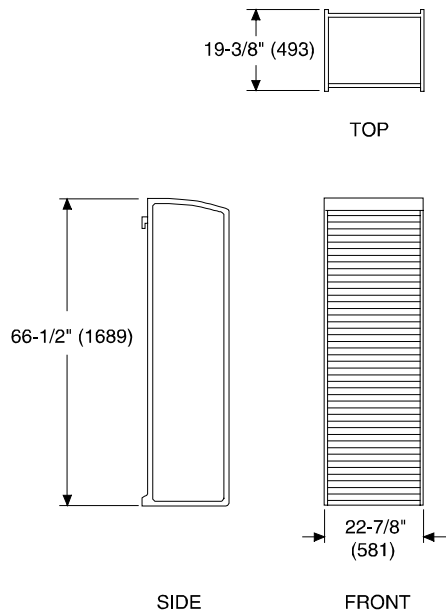
- Standard rail assembly (C0282)

Order transport/storage components separately:

- C tray/shelf (C0203)
- C wire shelf (C0252)
- Cassette assembly (C0565)
- Drawer (C0207, C0208, or C0209)
- Pullout catheter rack (C0469.)
- TR3 cart (C0342)

For general information on locks, see Keyed-Alike Information in Appendices.

Dimensions



Specification Information

Step 1.

C0561

Step 2. Lock

FF	no lock
FL	keyed lock, keyed differently
KA	keyed lock, keyed alike
EL	keyless lock, keyed differently
EK	keyless lock, keyed alike

Prices for Steps 1-2.

C0561 FF	\$2284
FL	\$2489
KA	\$2489
EL	\$3680
EK	\$3680

Step 3. Locker Finish

HF	inner tone light	+\$0
LT	light tone	+\$0
LU	soft white	+\$0
WN	warm grey neutral	+\$0

Step 4. Door Finish

3B	beachglass	+\$0
HF	inner tone light	+\$0
LT	light tone	+\$0
LU	soft white	+\$0
TR	clear	+\$0
WN	warm grey neutral	+\$0

Step 5. Key Number

For keyed lock, keyed alike (KA) or keyless lock, keyed alike (EK)

01	key number 01	+\$0
02	key number 02	+\$0
03	key number 03	+\$0
04	key number 04	+\$0
05	key number 05	+\$0
06	key number 06	+\$0
07	key number 07	+\$0
08	key number 08	+\$0
09	key number 09	+\$0
10	key number 10	+\$0
11	key number 11	+\$0
12	key number 12	+\$0
13	key number 13	+\$0

Locker, with Tambour Door

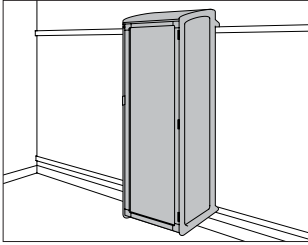
continued

14	key number 14	+\$0	61	key number 61	+\$0
15	key number 15	+\$0	62	key number 62	+\$0
16	key number 16	+\$0	63	key number 63	+\$0
17	key number 17	+\$0	64	key number 64	+\$0
18	key number 18	+\$0	65	key number 65	+\$0
19	key number 19	+\$0	66	key number 66	+\$0
20	key number 20	+\$0	67	key number 67	+\$0
21	key number 21	+\$0	68	key number 68	+\$0
22	key number 22	+\$0	69	key number 69	+\$0
23	key number 23	+\$0	70	key number 70	+\$0
24	key number 24	+\$0	71	key number 71	+\$0
25	key number 25	+\$0	72	key number 72	+\$0
26	key number 26	+\$0	73	key number 73	+\$0
27	key number 27	+\$0	74	key number 74	+\$0
28	key number 28	+\$0	75	key number 75	+\$0
29	key number 29	+\$0	76	key number 76	+\$0
30	key number 30	+\$0	77	key number 77	+\$0
31	key number 31	+\$0	78	key number 78	+\$0
32	key number 32	+\$0	79	key number 79	+\$0
33	key number 33	+\$0	80	key number 80	+\$0
34	key number 34	+\$0	81	key number 81	+\$0
35	key number 35	+\$0	82	key number 82	+\$0
36	key number 36	+\$0	83	key number 83	+\$0
37	key number 37	+\$0	84	key number 84	+\$0
38	key number 38	+\$0	85	key number 85	+\$0
39	key number 39	+\$0	86	key number 86	+\$0
40	key number 40	+\$0	87	key number 87	+\$0
41	key number 41	+\$0	88	key number 88	+\$0
42	key number 42	+\$0	89	key number 89	+\$0
43	key number 43	+\$0	90	key number 90	+\$0
44	key number 44	+\$0	91	key number 91	+\$0
45	key number 45	+\$0	92	key number 92	+\$0
46	key number 46	+\$0	93	key number 93	+\$0
47	key number 47	+\$0	94	key number 94	+\$0
48	key number 48	+\$0	95	key number 95	+\$0
49	key number 49	+\$0	96	key number 96	+\$0
50	key number 50	+\$0	97	key number 97	+\$0
51	key number 51	+\$0	98	key number 98	+\$0
52	key number 52	+\$0	99	key number 99	+\$0
53	key number 53	+\$0			
54	key number 54	+\$0			
55	key number 55	+\$0			
56	key number 56	+\$0			
57	key number 57	+\$0			
58	key number 58	+\$0			
59	key number 59	+\$0			
60	key number 60	+\$0			

Co/Struc® Storage

Locker, with Hinged Door

C0570



Co/Struc® Storage

Product Information

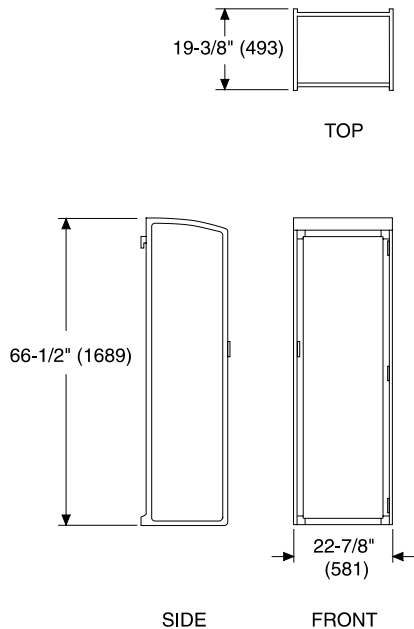
Description
 This enclosed storage unit hangs on rails for stationary storage, or it is used with the TR3 cart for mobile storage. The locker has 20 drawer slots in 3" increments and holds interchangeable components. Door is hinged at the right.
 Available with no lock, keyed lock, keyless lock, or RFID lock.

Notes

- Door frame color matches locker color.
 Order rail components separately:
- Standard rail assembly (C0282)
- Order transport/storage components separately:
- C tray/shelf (C0203)
 - C wire shelf (C0252)
 - Cassette assembly (C0565)
 - Drawer (C0207, C0208, or C0209)
 - Pullout catheter rack (C0469.)
 - TR3 cart (C0342)

For general information on locks, see Keyed-Alike Information in Appendices.

Dimensions



Specification Information

Step 1.

C0570

Step 2. Lock

FF	no lock	
FL	keyed lock, keyed differently	
KA	keyed lock, keyed alike	
KP	keyless lock	
RF	RFID lock	

Prices for Steps 1-2.

C0570 FF	\$2949
FL	\$3181
KA	\$3181
KP	\$3676
RF	\$4573

Step 3. Locker Finish

HF	inner tone light	+\$0
LT	light tone	+\$0
LU	soft white	+\$0
WN	warm grey neutral	+\$0

Step 4. Door Insert Finish

HF	inner tone light	+\$0
LT	light tone	+\$0
LU	soft white	+\$0
TR	clear	+\$0
WN	warm grey neutral	+\$0

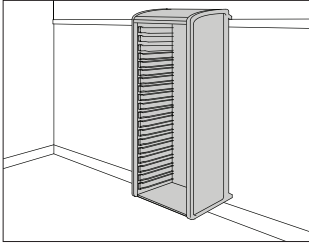
Step 5. Key Number

For keyed lock, keyed alike (KA)

01	key number 01	+\$0
02	key number 02	+\$0
03	key number 03	+\$0
04	key number 04	+\$0
05	key number 05	+\$0
06	key number 06	+\$0
07	key number 07	+\$0
08	key number 08	+\$0
09	key number 09	+\$0
10	key number 10	+\$0
11	key number 11	+\$0
12	key number 12	+\$0
13	key number 13	+\$0
14	key number 14	+\$0

Locker, with Hinged Door *continued*

15	key number 15	+\$0	62	key number 62	+\$0
16	key number 16	+\$0	63	key number 63	+\$0
17	key number 17	+\$0	64	key number 64	+\$0
18	key number 18	+\$0	65	key number 65	+\$0
19	key number 19	+\$0	66	key number 66	+\$0
20	key number 20	+\$0	67	key number 67	+\$0
21	key number 21	+\$0	68	key number 68	+\$0
22	key number 22	+\$0	69	key number 69	+\$0
23	key number 23	+\$0	70	key number 70	+\$0
24	key number 24	+\$0	71	key number 71	+\$0
25	key number 25	+\$0	72	key number 72	+\$0
26	key number 26	+\$0	73	key number 73	+\$0
27	key number 27	+\$0	74	key number 74	+\$0
28	key number 28	+\$0	75	key number 75	+\$0
29	key number 29	+\$0	76	key number 76	+\$0
30	key number 30	+\$0	77	key number 77	+\$0
31	key number 31	+\$0	78	key number 78	+\$0
32	key number 32	+\$0	79	key number 79	+\$0
33	key number 33	+\$0	80	key number 80	+\$0
34	key number 34	+\$0	81	key number 81	+\$0
35	key number 35	+\$0	82	key number 82	+\$0
36	key number 36	+\$0	83	key number 83	+\$0
37	key number 37	+\$0	84	key number 84	+\$0
38	key number 38	+\$0	85	key number 85	+\$0
39	key number 39	+\$0	86	key number 86	+\$0
40	key number 40	+\$0	87	key number 87	+\$0
41	key number 41	+\$0	88	key number 88	+\$0
42	key number 42	+\$0	89	key number 89	+\$0
43	key number 43	+\$0	90	key number 90	+\$0
44	key number 44	+\$0	91	key number 91	+\$0
45	key number 45	+\$0	92	key number 92	+\$0
46	key number 46	+\$0	93	key number 93	+\$0
47	key number 47	+\$0	94	key number 94	+\$0
48	key number 48	+\$0	95	key number 95	+\$0
49	key number 49	+\$0	96	key number 96	+\$0
50	key number 50	+\$0	97	key number 97	+\$0
51	key number 51	+\$0	98	key number 98	+\$0
52	key number 52	+\$0	99	key number 99	+\$0
53	key number 53	+\$0			
54	key number 54	+\$0			
55	key number 55	+\$0			
56	key number 56	+\$0			
57	key number 57	+\$0			
58	key number 58	+\$0			
59	key number 59	+\$0			
60	key number 60	+\$0			
61	key number 61	+\$0			



Co/Struc® Storage

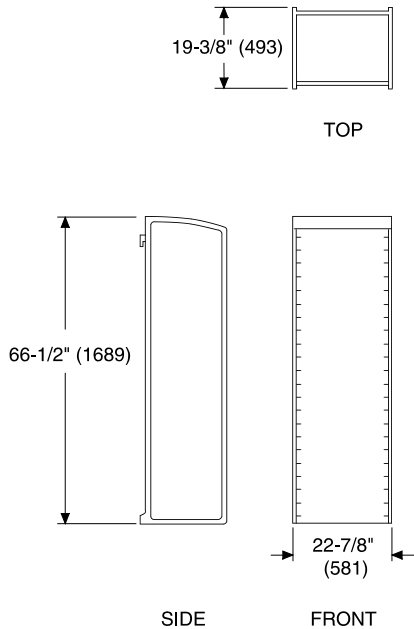
Product Information

Description
 This storage unit hangs on rails for stationary storage, or it is used with the TR3 cart for mobile storage. The locker has 20 drawer slots in 3" increments and holds interchangeable components.

Notes

- Order rail components separately:
- Standard rail assembly (C0282)
- Order transport/storage components separately:
- C tray/shelf (C0203)
 - C wire shelf (C0252)
 - Cassette assembly (C0565)
 - Drawer (C0207, C0208, or C0209)
 - Pullout catheter rack (C0469.)
 - TR3 cart (C0342)
- Order optional locker tambour door (C0219) separately.

Dimensions



Specification Information

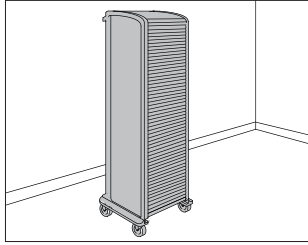
Step 1.
C0562FF \$2016

Step 2. Surface Finish

HF	inner tone light	+\$0
LT	light tone	+\$0
LU	soft white	+\$0
WN	warm grey neutral	+\$0

Locker on Wheel Base, with Tambour Door

CO564



Product Information

Description

This enclosed, mobile storage unit holds interchangeable components to store and transport materials. The locker has 20 drawer slots in 3" increments and a counterweighted base with 5" diameter casters (2 swivel and 2 swivel with brake). The tambour door slides vertically for access to locker materials. The locker does not include a handle; it is pushed or pulled by grasping the sides. It cannot be linked for multiple towing and cannot be transported in a truck.

The locker has the following lock options: no lock, keyed lock, or keyless lock. The keyless lock mounts on the right-hand side and front of the locker. It includes a back-up keyed lock. The keyless lock is shipped with the battery.

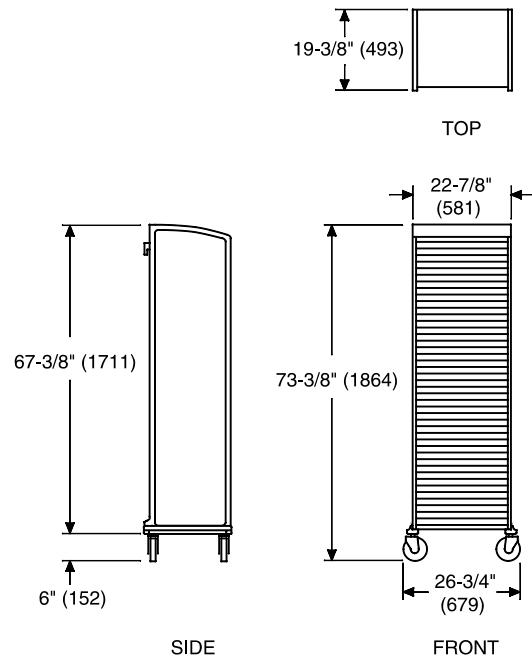
Notes

Order internal storage components separately:

- A-, B-, or C-size drawers (CO207, CO208, or CO209)
- C tray/shelf (CO203)
- C wire shelf (CO252)
- Cassette assembly (CO565)
- Pullout catheter rack (CO469.)

For general information on locks, see Keyed-Alike Information in Appendices.

Dimensions



Co/Struc® Storage

Locker on Wheel Base, with Tambour Door *continued*

Co/Struc® Storage

Specification Information

Step 1.

CO564

Step 2. Lock

FF	no lock	
FL	keyed lock, keyed differently	
KA	keyed lock, keyed alike	
EL	keyless lock, keyed differently	
EK	keyless lock, keyed alike	

Prices for Steps 1-2.

CO564 FF	\$3189
FL	\$3444
KA	\$3346
EL	\$4584
EK	\$4584

Step 3. Locker Finish

HF	inner tone light	+\$0
LT	light tone	+\$0
LU	soft white	+\$0
WN	warm grey neutral	+\$0

Step 4. Door Finish

3B	beachglass	+\$0
HF	inner tone light	+\$0
LT	light tone	+\$0
LU	soft white	+\$0
TR	clear	+\$0
WN	warm grey neutral	+\$0

Step 5. Key Number

For keyed lock, keyed alike (KA) or keyless lock, keyed alike (EK)

01	key number 01	+\$0
02	key number 02	+\$0
03	key number 03	+\$0
04	key number 04	+\$0
05	key number 05	+\$0
06	key number 06	+\$0
07	key number 07	+\$0
08	key number 08	+\$0
09	key number 09	+\$0
10	key number 10	+\$0
11	key number 11	+\$0
12	key number 12	+\$0
13	key number 13	+\$0

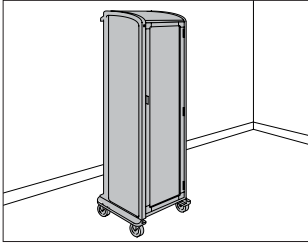
14	key number 14	+\$0
15	key number 15	+\$0
16	key number 16	+\$0
17	key number 17	+\$0
18	key number 18	+\$0
19	key number 19	+\$0
20	key number 20	+\$0
21	key number 21	+\$0
22	key number 22	+\$0
23	key number 23	+\$0
24	key number 24	+\$0
25	key number 25	+\$0
26	key number 26	+\$0
27	key number 27	+\$0
28	key number 28	+\$0
29	key number 29	+\$0
30	key number 30	+\$0
31	key number 31	+\$0
32	key number 32	+\$0
33	key number 33	+\$0
34	key number 34	+\$0
35	key number 35	+\$0
36	key number 36	+\$0
37	key number 37	+\$0
38	key number 38	+\$0
39	key number 39	+\$0
40	key number 40	+\$0
41	key number 41	+\$0
42	key number 42	+\$0
43	key number 43	+\$0
44	key number 44	+\$0
45	key number 45	+\$0
46	key number 46	+\$0
47	key number 47	+\$0
48	key number 48	+\$0
49	key number 49	+\$0
50	key number 50	+\$0
51	key number 51	+\$0
52	key number 52	+\$0
53	key number 53	+\$0
54	key number 54	+\$0
55	key number 55	+\$0
56	key number 56	+\$0
57	key number 57	+\$0
58	key number 58	+\$0
59	key number 59	+\$0
60	key number 60	+\$0

Locker on Wheel Base, with Tambour Door *continued*

61	key number 61	+\$0
62	key number 62	+\$0
63	key number 63	+\$0
64	key number 64	+\$0
65	key number 65	+\$0
66	key number 66	+\$0
67	key number 67	+\$0
68	key number 68	+\$0
69	key number 69	+\$0
70	key number 70	+\$0
71	key number 71	+\$0
72	key number 72	+\$0
73	key number 73	+\$0
74	key number 74	+\$0
75	key number 75	+\$0
76	key number 76	+\$0
77	key number 77	+\$0
78	key number 78	+\$0
79	key number 79	+\$0
80	key number 80	+\$0
81	key number 81	+\$0
82	key number 82	+\$0
83	key number 83	+\$0
84	key number 84	+\$0
85	key number 85	+\$0
86	key number 86	+\$0
87	key number 87	+\$0
88	key number 88	+\$0
89	key number 89	+\$0
90	key number 90	+\$0
91	key number 91	+\$0
92	key number 92	+\$0
93	key number 93	+\$0
94	key number 94	+\$0
95	key number 95	+\$0
96	key number 96	+\$0
97	key number 97	+\$0
98	key number 98	+\$0
99	key number 99	+\$0

Locker on Wheel Base, with Hinged Door

C0574



Product Information

Description

This enclosed, mobile storage unit holds interchangeable components to store and transport materials. The locker has 20 drawer slots in 3" increments and a counterweighted base with 5"-diameter casters (2 swivel and 2 swivel with brake). The door is hinged at the right and swings open for access to locker materials. The locker does not include a handle; it is pushed or pulled by grasping the sides. It cannot be linked for multiple towing and cannot be transported in a truck.

Available with no lock, keyed lock, keyless lock, or RFID lock.

Notes

Door frame color matches locker color.

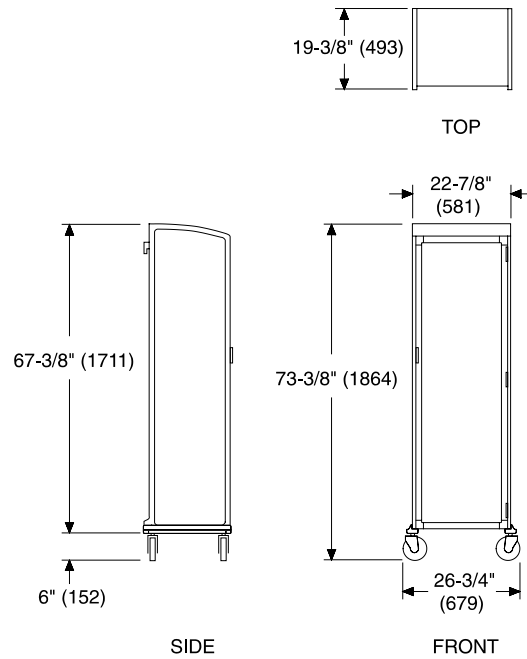
Order internal storage components separately:

- A-, B-, or C-size drawers (C0207, C0208, or C0209)
- C tray/shelf (C0203)
- C wire shelf (C0252)
- Cassette assembly (C0565)
- Pullout catheter rack (C0469.)

For general information on locks, see Keyed-Alike Information in Appendices.

Co/Struc® Storage

Dimensions



Locker on Wheel Base, with Hinged Door *continued*

Specification Information

Step 1.

CO574

Step 2. Lock

FF	no lock
FL	keyed lock, keyed differently
KA	keyed lock, keyed alike
KP	keyless lock
RF	RFID lock

Prices for Steps 1-2.

CO574 FF	\$4037
FL	\$4267
KA	\$4267
KP	\$4764
RF	\$5619

Step 3. Locker Finish

HF	inner tone light	+\$0
LT	light tone	+\$0
LU	soft white	+\$0
WN	warm grey neutral	+\$0

Step 4. Door Finish

HF	inner tone light	+\$0
LT	light tone	+\$0
LU	soft white	+\$0
TR	clear	+\$0
WN	warm grey neutral	+\$0

Step 5. Key Number

For keyed lock, keyed alike (KA)

01	key number 01	+\$0
02	key number 02	+\$0
03	key number 03	+\$0
04	key number 04	+\$0
05	key number 05	+\$0
06	key number 06	+\$0
07	key number 07	+\$0
08	key number 08	+\$0
09	key number 09	+\$0
10	key number 10	+\$0
11	key number 11	+\$0
12	key number 12	+\$0
13	key number 13	+\$0
14	key number 14	+\$0

15	key number 15	+\$0
16	key number 16	+\$0
17	key number 17	+\$0
18	key number 18	+\$0
19	key number 19	+\$0
20	key number 20	+\$0
21	key number 21	+\$0
22	key number 22	+\$0
23	key number 23	+\$0
24	key number 24	+\$0
25	key number 25	+\$0
26	key number 26	+\$0
27	key number 27	+\$0
28	key number 28	+\$0
29	key number 29	+\$0
30	key number 30	+\$0
31	key number 31	+\$0
32	key number 32	+\$0
33	key number 33	+\$0
34	key number 34	+\$0
35	key number 35	+\$0
36	key number 36	+\$0
37	key number 37	+\$0
38	key number 38	+\$0
39	key number 39	+\$0
40	key number 40	+\$0
41	key number 41	+\$0
42	key number 42	+\$0
43	key number 43	+\$0
44	key number 44	+\$0
45	key number 45	+\$0
46	key number 46	+\$0
47	key number 47	+\$0
48	key number 48	+\$0
49	key number 49	+\$0
50	key number 50	+\$0
51	key number 51	+\$0
52	key number 52	+\$0
53	key number 53	+\$0
54	key number 54	+\$0
55	key number 55	+\$0
56	key number 56	+\$0
57	key number 57	+\$0
58	key number 58	+\$0
59	key number 59	+\$0
60	key number 60	+\$0
61	key number 61	+\$0

Co/Struc® Storage

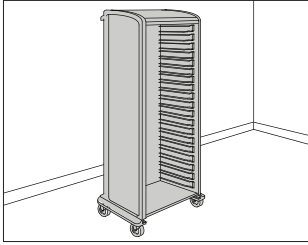
Locker on Wheel Base, with Hinged Door *continued*

Co/Struc® Storage

62	key number 62	+\$0
63	key number 63	+\$0
64	key number 64	+\$0
65	key number 65	+\$0
66	key number 66	+\$0
67	key number 67	+\$0
68	key number 68	+\$0
69	key number 69	+\$0
70	key number 70	+\$0
71	key number 71	+\$0
72	key number 72	+\$0
73	key number 73	+\$0
74	key number 74	+\$0
75	key number 75	+\$0
76	key number 76	+\$0
77	key number 77	+\$0
78	key number 78	+\$0
79	key number 79	+\$0
80	key number 80	+\$0
81	key number 81	+\$0
82	key number 82	+\$0
83	key number 83	+\$0
84	key number 84	+\$0
85	key number 85	+\$0
86	key number 86	+\$0
87	key number 87	+\$0
88	key number 88	+\$0
89	key number 89	+\$0
90	key number 90	+\$0
91	key number 91	+\$0
92	key number 92	+\$0
93	key number 93	+\$0
94	key number 94	+\$0
95	key number 95	+\$0
96	key number 96	+\$0
97	key number 97	+\$0
98	key number 98	+\$0
99	key number 99	+\$0

Locker on Wheel Base

C0563



Product Information

Description

This mobile storage unit holds interchangeable components to store and transport materials. The locker has 20 drawer slots in 3" increments and a counterweighted base with 5"-diameter casters (2 swivel and 2 swivel with brake). The locker does not include a handle; it is pushed or pulled by grasping the sides. It cannot be linked for multiple towing and cannot be transported in a truck.

Notes

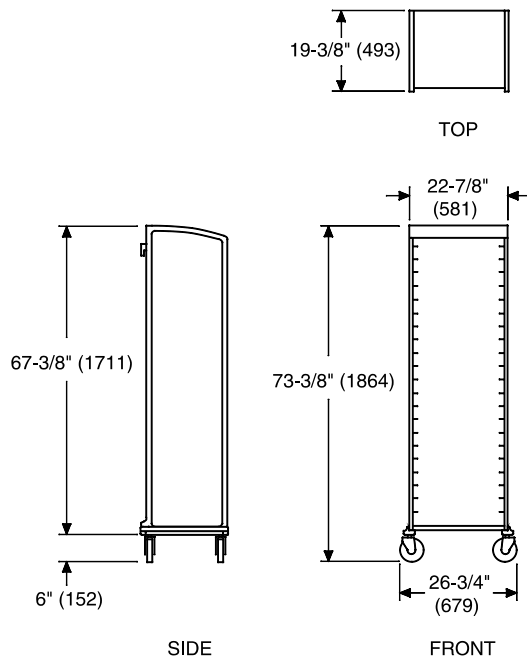
Order internal storage components separately:

- A-, B-, or C-size drawers (C0207, C0208, or C0209)
- C tray/shelf (C0203)
- C wire shelf (C0252)
- Cassette assembly (C0565)
- Pullout catheter rack (C0469.)

Order optional locker tambour door (C0219) and locker lock kit (C0277) separately.

Order optional locker hinged door (C0290) separately.

Dimensions



Specification Information

Step 1.

C0563FF \$3153

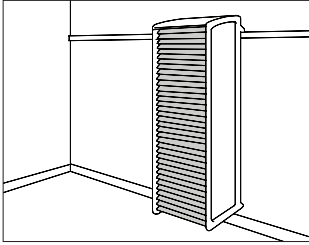
Step 2. Surface Finish

HF	inner tone light	+\$0
LT	light tone	+\$0
LU	soft white	+\$0
WN	warm grey neutral	+\$0

Co/Struc® Storage

Locker Tambour Door

C0219

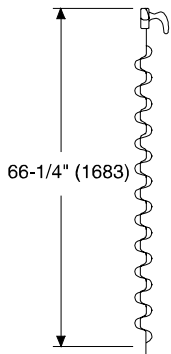


Product Information

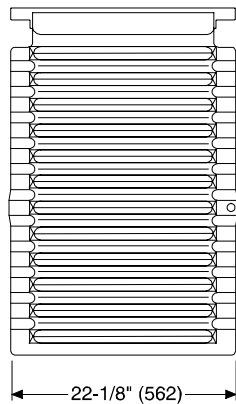
Description
 This vertical door provides closure on a locker. It opens by sliding into the locker bottom.

Dimensions

Co/Struc® Storage



SIDE



FRONT

Specification Information

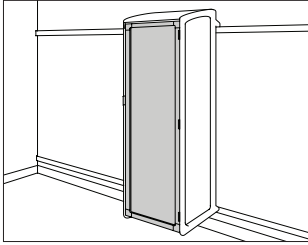
Step 1.
C0219FF \$346

Step 2. Surface Finish

3B	beachglass	+\$0
HF	inner tone light	+\$0
LT	light tone	+\$0
LU	soft white	+\$0
TR	clear	+\$0
WN	warm grey neutral	+\$0

Locker Hinged Door

CO290



Product Information

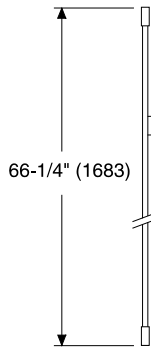
Description

This door provides closure on a locker. It is hinged at the right.

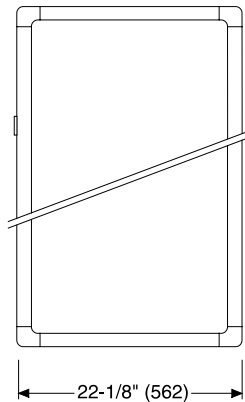
Attachment hardware included.

Available with no lock, keyed lock, keyless lock or RFID lock.

Dimensions



SIDE



FRONT

Specification Information

Step 1.

CO290

Step 2. Lock

FF	no lock
FL	keyed lock, keyed differently
KA	keyed lock, keyed alike
KP	keyless lock
RF	RFID lock

Prices for Steps 1-2.

CO290 FF	\$936
FL	\$1173
KA	\$1173
KP	\$1672
RF	\$2618

Step 3. Door Finish

HF	inner tone light	+ \$0
LT	light tone	+ \$0
LU	soft white	+ \$0
WN	warm grey neutral	+ \$0

Step 4. Insert Finish

HF	inner tone light	+ \$0
LT	light tone	+ \$0
LU	soft white	+ \$0
TR	clear	+ \$0
WN	warm grey neutral	+ \$0

Step 5. Key Number

For keyed lock, keyed alike (KA)

01	key number 01	+ \$0
02	key number 02	+ \$0
03	key number 03	+ \$0
04	key number 04	+ \$0
05	key number 05	+ \$0
06	key number 06	+ \$0
07	key number 07	+ \$0
08	key number 08	+ \$0
09	key number 09	+ \$0
10	key number 10	+ \$0
11	key number 11	+ \$0
12	key number 12	+ \$0
13	key number 13	+ \$0
14	key number 14	+ \$0

Co/Struc® Storage

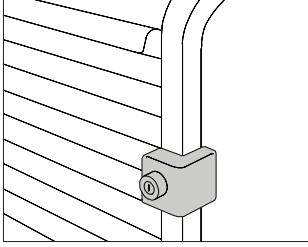
Locker Hinged Door *continued*

Co/Struc® Storage

15	key number 15	+\$0	62	key number 62	+\$0
16	key number 16	+\$0	63	key number 63	+\$0
17	key number 17	+\$0	64	key number 64	+\$0
18	key number 18	+\$0	65	key number 65	+\$0
19	key number 19	+\$0	66	key number 66	+\$0
20	key number 20	+\$0	67	key number 67	+\$0
21	key number 21	+\$0	68	key number 68	+\$0
22	key number 22	+\$0	69	key number 69	+\$0
23	key number 23	+\$0	70	key number 70	+\$0
24	key number 24	+\$0	71	key number 71	+\$0
25	key number 25	+\$0	72	key number 72	+\$0
26	key number 26	+\$0	73	key number 73	+\$0
27	key number 27	+\$0	74	key number 74	+\$0
28	key number 28	+\$0	75	key number 75	+\$0
29	key number 29	+\$0	76	key number 76	+\$0
30	key number 30	+\$0	77	key number 77	+\$0
31	key number 31	+\$0	78	key number 78	+\$0
32	key number 32	+\$0	79	key number 79	+\$0
33	key number 33	+\$0	80	key number 80	+\$0
34	key number 34	+\$0	81	key number 81	+\$0
35	key number 35	+\$0	82	key number 82	+\$0
36	key number 36	+\$0	83	key number 83	+\$0
37	key number 37	+\$0	84	key number 84	+\$0
38	key number 38	+\$0	85	key number 85	+\$0
39	key number 39	+\$0	86	key number 86	+\$0
40	key number 40	+\$0	87	key number 87	+\$0
41	key number 41	+\$0	88	key number 88	+\$0
42	key number 42	+\$0	89	key number 89	+\$0
43	key number 43	+\$0	90	key number 90	+\$0
44	key number 44	+\$0	91	key number 91	+\$0
45	key number 45	+\$0	92	key number 92	+\$0
46	key number 46	+\$0	93	key number 93	+\$0
47	key number 47	+\$0	94	key number 94	+\$0
48	key number 48	+\$0	95	key number 95	+\$0
49	key number 49	+\$0	96	key number 96	+\$0
50	key number 50	+\$0	97	key number 97	+\$0
51	key number 51	+\$0	98	key number 98	+\$0
52	key number 52	+\$0	99	key number 99	+\$0
53	key number 53	+\$0			
54	key number 54	+\$0			
55	key number 55	+\$0			
56	key number 56	+\$0			
57	key number 57	+\$0			
58	key number 58	+\$0			
59	key number 59	+\$0			
60	key number 60	+\$0			
61	key number 61	+\$0			

Locker Lock Kit

CO277



Product Information

Description

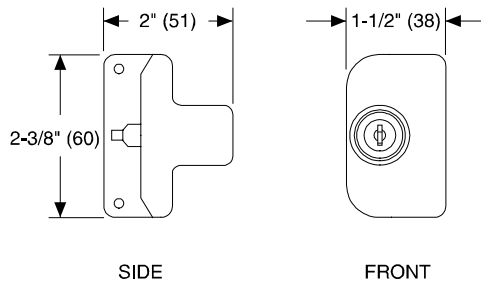
This kit includes a lock and converts a locker with tambour door to a lockable storage unit.

Notes

For general information on locks, see Keyed-Alike Information in Appendices.

Kit must be field installed.

Dimensions



Specification Information

Step 1.

CO277

Step 2. Lock

- FF** keyed differently
- KA** keyed alike

Prices for Steps 1-2.

CO277 FF	\$227
KA	\$227

Step 3. Surface Finish

HF	inner tone light	+\$0
LT	light tone	+\$0
LU	soft white	+\$0
WN	warm grey neutral	+\$0

Step 4. Key Number

For keyed alike (KA)

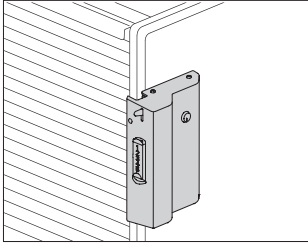
01	key number 01	+\$0
02	key number 02	+\$0
03	key number 03	+\$0
04	key number 04	+\$0
05	key number 05	+\$0
06	key number 06	+\$0
07	key number 07	+\$0
08	key number 08	+\$0
09	key number 09	+\$0
10	key number 10	+\$0
11	key number 11	+\$0
12	key number 12	+\$0
13	key number 13	+\$0
14	key number 14	+\$0
15	key number 15	+\$0
16	key number 16	+\$0
17	key number 17	+\$0
18	key number 18	+\$0
19	key number 19	+\$0
20	key number 20	+\$0
21	key number 21	+\$0
22	key number 22	+\$0
23	key number 23	+\$0
24	key number 24	+\$0
25	key number 25	+\$0
26	key number 26	+\$0
27	key number 27	+\$0

Co/Struc® Storage

Locker Lock Kit *continued*

Co/Struc® Storage

28	key number 28	+\$0	75	key number 75	+\$0
29	key number 29	+\$0	76	key number 76	+\$0
30	key number 30	+\$0	77	key number 77	+\$0
31	key number 31	+\$0	78	key number 78	+\$0
32	key number 32	+\$0	79	key number 79	+\$0
33	key number 33	+\$0	80	key number 80	+\$0
34	key number 34	+\$0	81	key number 81	+\$0
35	key number 35	+\$0	82	key number 82	+\$0
36	key number 36	+\$0	83	key number 83	+\$0
37	key number 37	+\$0	84	key number 84	+\$0
38	key number 38	+\$0	85	key number 85	+\$0
39	key number 39	+\$0	86	key number 86	+\$0
40	key number 40	+\$0	87	key number 87	+\$0
41	key number 41	+\$0	88	key number 88	+\$0
42	key number 42	+\$0	89	key number 89	+\$0
43	key number 43	+\$0	90	key number 90	+\$0
44	key number 44	+\$0	91	key number 91	+\$0
45	key number 45	+\$0	92	key number 92	+\$0
46	key number 46	+\$0	93	key number 93	+\$0
47	key number 47	+\$0	94	key number 94	+\$0
48	key number 48	+\$0	95	key number 95	+\$0
49	key number 49	+\$0	96	key number 96	+\$0
50	key number 50	+\$0	97	key number 97	+\$0
51	key number 51	+\$0	98	key number 98	+\$0
52	key number 52	+\$0	99	key number 99	+\$0
53	key number 53	+\$0			
54	key number 54	+\$0			
55	key number 55	+\$0			
56	key number 56	+\$0			
57	key number 57	+\$0			
58	key number 58	+\$0			
59	key number 59	+\$0			
60	key number 60	+\$0			
61	key number 61	+\$0			
62	key number 62	+\$0			
63	key number 63	+\$0			
64	key number 64	+\$0			
65	key number 65	+\$0			
66	key number 66	+\$0			
67	key number 67	+\$0			
68	key number 68	+\$0			
69	key number 69	+\$0			
70	key number 70	+\$0			
71	key number 71	+\$0			
72	key number 72	+\$0			
73	key number 73	+\$0			
74	key number 74	+\$0			



Product Information

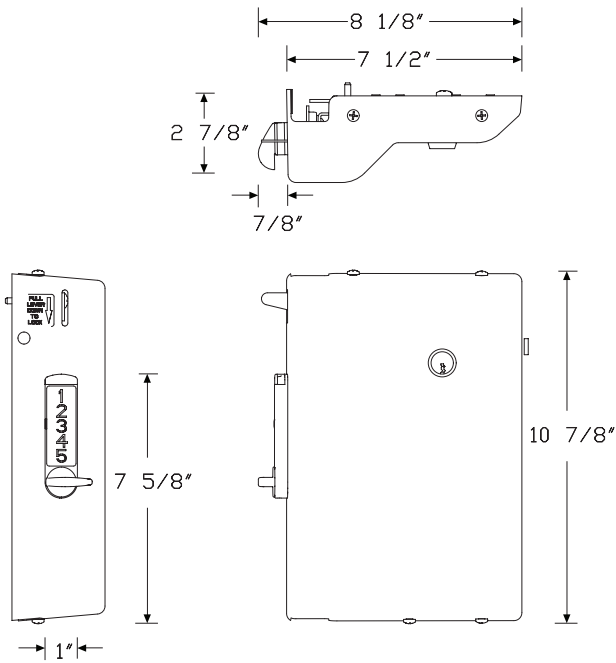
Description

This keyless lock converts a locker with tambour door to a lockable storage unit. The keyless lock mounts on the right-hand side and front of the locker. It includes a back-up keyed lock. The keyless lock is shipped with the battery.

Notes

For general information on locks, see Keyed-Alike Information in Appendices.
Kit must be field installed.

Dimensions



Specification Information

Step 1.

CO279E

Step 2. Lock

- K** keyless lock, keyed alike
- L** keyless lock, keyed differently

Prices for Steps 1-2.

CO279E K	\$1494
L	\$1494

Step 3. Surface Finish

HF	inner tone light	+\$0
LT	light tone	+\$0
LU	soft white	+\$0
WN	warm grey neutral	+\$0

Step 4. Key Number

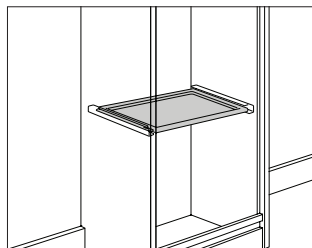
For keyless lock, keyed alike (K)

00	key number 00	+\$0
01	key number 01	+\$0
02	key number 02	+\$0
03	key number 03	+\$0
04	key number 04	+\$0
05	key number 05	+\$0
06	key number 06	+\$0
07	key number 07	+\$0
08	key number 08	+\$0
09	key number 09	+\$0
10	key number 10	+\$0
11	key number 11	+\$0
12	key number 12	+\$0
13	key number 13	+\$0
14	key number 14	+\$0
15	key number 15	+\$0
16	key number 16	+\$0
17	key number 17	+\$0
18	key number 18	+\$0
19	key number 19	+\$0
20	key number 20	+\$0
21	key number 21	+\$0
22	key number 22	+\$0
23	key number 23	+\$0
24	key number 24	+\$0
25	key number 25	+\$0
26	key number 26	+\$0

Locker Lock Kit, Keyless *continued*

Co/Struc® Storage

27	key number 27	+\$0	74	key number 74	+\$0
28	key number 28	+\$0	75	key number 75	+\$0
29	key number 29	+\$0	76	key number 76	+\$0
30	key number 30	+\$0	77	key number 77	+\$0
31	key number 31	+\$0	78	key number 78	+\$0
32	key number 32	+\$0	79	key number 79	+\$0
33	key number 33	+\$0	80	key number 80	+\$0
34	key number 34	+\$0	81	key number 81	+\$0
35	key number 35	+\$0	82	key number 82	+\$0
36	key number 36	+\$0	83	key number 83	+\$0
37	key number 37	+\$0	84	key number 84	+\$0
38	key number 38	+\$0	85	key number 85	+\$0
39	key number 39	+\$0	86	key number 86	+\$0
40	key number 40	+\$0	87	key number 87	+\$0
41	key number 41	+\$0	88	key number 88	+\$0
42	key number 42	+\$0	89	key number 89	+\$0
43	key number 43	+\$0	90	key number 90	+\$0
44	key number 44	+\$0	91	key number 91	+\$0
45	key number 45	+\$0	92	key number 92	+\$0
46	key number 46	+\$0	93	key number 93	+\$0
47	key number 47	+\$0	94	key number 94	+\$0
48	key number 48	+\$0	95	key number 95	+\$0
49	key number 49	+\$0	96	key number 96	+\$0
50	key number 50	+\$0	97	key number 97	+\$0
51	key number 51	+\$0	98	key number 98	+\$0
52	key number 52	+\$0	99	key number 99	+\$0
53	key number 53	+\$0			
54	key number 54	+\$0			
55	key number 55	+\$0			
56	key number 56	+\$0			
57	key number 57	+\$0			
58	key number 58	+\$0			
59	key number 59	+\$0			
60	key number 60	+\$0			
61	key number 61	+\$0			
62	key number 62	+\$0			
63	key number 63	+\$0			
64	key number 64	+\$0			
65	key number 65	+\$0			
66	key number 66	+\$0			
67	key number 67	+\$0			
68	key number 68	+\$0			
69	key number 69	+\$0			
70	key number 70	+\$0			
71	key number 71	+\$0			
72	key number 72	+\$0			
73	key number 73	+\$0			



Product Information

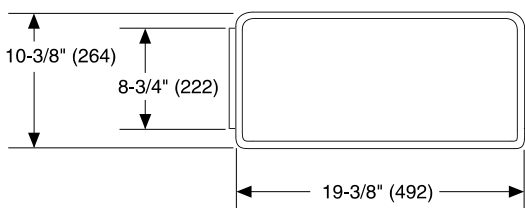
Description

This component provides storage in an endoscopy/catheter cabinet. It has 2 usable surfaces: 1 surface has raised edges to prevent items from rolling off; the reverse surface is flat for applications where raised edges would interfere with material storage.

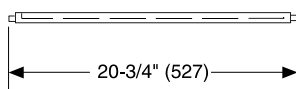
Notes

Tray/shelf surface with raised edges can be configured with subcontainers; order subcontainers separately.

Dimensions



TOP



FRONT

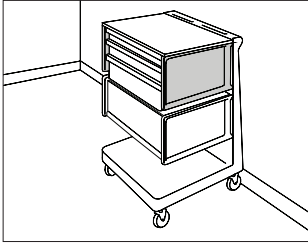
Specification Information

Step 1.

CO204FF \$112

Step 2. Surface Finish

HF	inner tone light	+\$0
LT	light tone	+\$0
LU	soft white	+\$0
WN	warm grey neutral	+\$0



Co/Struc® Storage

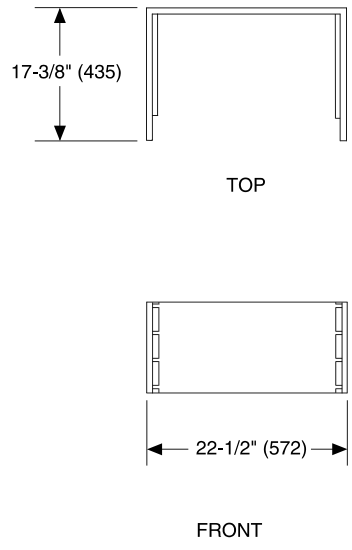
Product Information

Description
 This frame hangs on a standard rail or adapter rail, or it is supported by an L cart, process table, counter top, or heavy-duty storage work surface. It has 4 slots at 3" intervals to enclose and support storage components and accessories. The C frame cannot mount under a 24"-wide work surface and it is not recommended for overhead storage.

Notes

- Order support components separately:
- Adapter rail (C1610.)
 - Counter top (C0555, or C0556)
 - L cart (C0212)
 - Process table (C4115., C4215., or C4313.)
 - Lab work table (C461G., C462G., or C462C.)
 - Standard rail (C0282)
 - Work table (C4312.)
 - Workstation (C4310. or C4311.)
- Order storage components separately:
- C tray/shelf (C0203)
 - Drawer (C0207, C0208, or C0209)

Dimensions



Specification Information

Step 1.

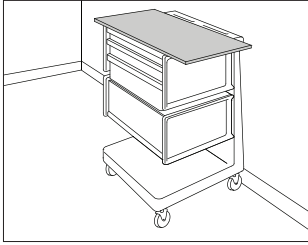
C0205FF \$299

Step 2. Surface Finish

HF	inner tone light	+\$0
LT	light tone	+\$0
LU	soft white	+\$0
WN	warm grey neutral	+\$0

Counter Top

C0555
C0556



Product Information

Description

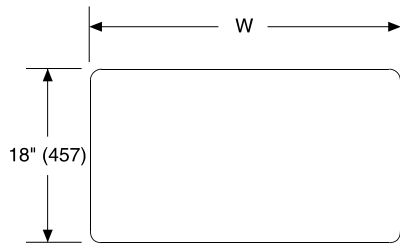
This surface mounts on a C frame to provide a work surface or storage surface. It includes a gripper package for attaching the top to a C frame.

The single or extended counter top fits on 1 C frame. The extended counter top extends 4" past each C frame side.

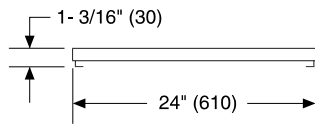
Notes

Order C frame (CO205) separately.

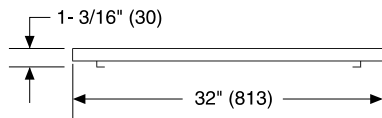
Dimensions



TOP



SINGLE
FRONT



EXTENDED
FRONT

Specification Information

Step 1.

CO

Step 2. Configuration/Width

555FF single

556FF extended

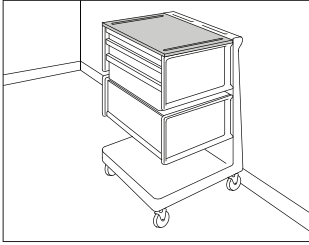
Prices for Steps 1-2.

C0555FF	\$224
C0556FF	\$267

Step 3. Surface Finish

HF	inner tone light	+\$0
LT	light tone	+\$0
LU	soft white	+\$0
WN	warm grey neutral	+\$0

Co/Struc® Storage



Product Information

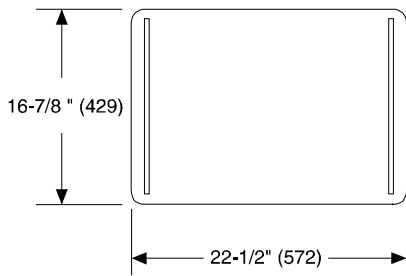
Description

This lid provides a top for a C frame. It has raised side edges to keep items from sliding off.

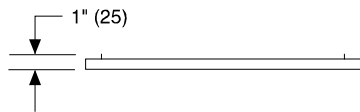
Notes

Use lid when storing L cart below 38"-high process table or cantilevered work surface; existing drawer bearers must be removed.

Dimensions



TOP



FRONT

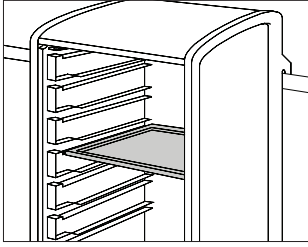
Specification Information

Step 1.

C0201FF \$209

Step 2. Surface Finish

HF	inner tone light	+\$0
LT	light tone	+\$0
LU	soft white	+\$0
WN	warm grey neutral	+\$0



Product Information

Description

This component provides storage within a C frame, locker, or interior cabinet adapter. It is designed with 2 usable surfaces: 1 surface has raised edges to prevent items from rolling off; the reverse surface is flat for applications where raised edges would interfere with material storage.

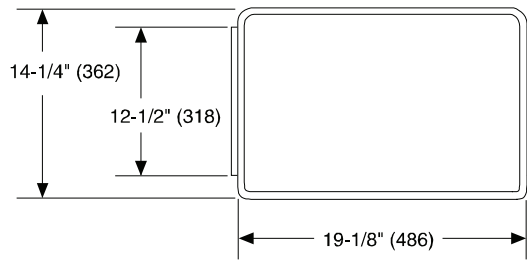
Notes

Order support component separately:

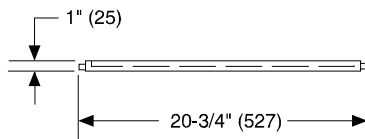
- C frame (CO205)
- Interior cabinet adapter (CG591.)
- Locker or locker on wheel base (CO561, CO562, CO563, or CO564)

Tray/shelf surface with raised edges can be configured with subcontainers or subdivider vane. Order subdivider vane (CO242) or subcontainers separately.

Dimensions



TOP



FRONT

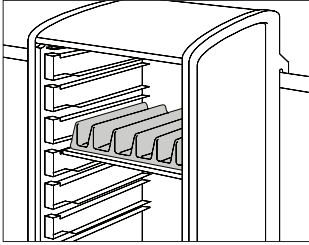
Specification Information

Step 1.

CO203FF \$141

Step 2. Surface Finish

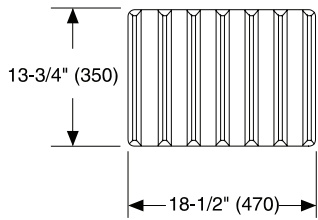
HF	inner tone light	+\$0
LT	light tone	+\$0
LU	soft white	+\$0
WN	warm grey neutral	+\$0



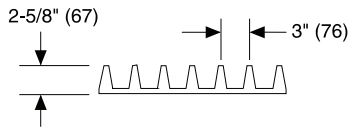
Product Information

Description
 This component organizes IV bags, forms, tape rolls, and other small items within a drawer or C tray/shelf.

Dimensions



TOP



FRONT

Specification Information

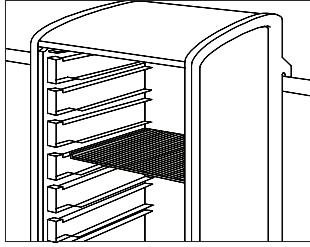
Step 1.
C0242FF \$69

Step 2. Surface Finish
LU soft white +\$0

Co/Struc® Storage

C Wire Shelf

C0252



Product Information

Description

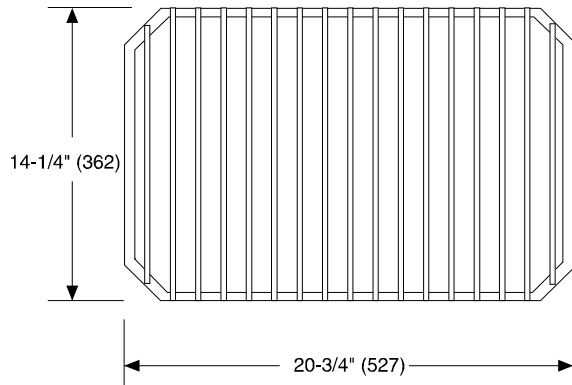
This wire shelf fits into the slots of a C frame, locker, or interior cabinet adapter and stores items requiring air circulation. It cannot be used with a subdivider vane or subdivider.

Notes

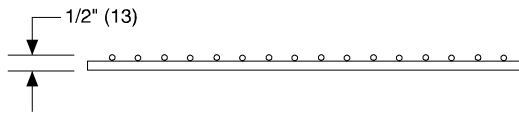
Order support component separately:

- C frame (C0205)
- Interior cabinet adapter (CG591.)
- Locker or locker on wheel base (C0561, C0562, C0563, or C0564)

Dimensions



TOP



FRONT

Specification Information

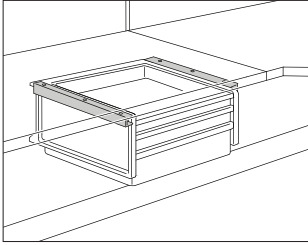
Step 1.

C0252FF \$181

Step 2. Surface Finish

LU soft white +\$0

Co/Struc® Storage



Product Information

Description

This hardware package mounts a C frame under a work surface. 1 gripper package is required to mount each C frame to a work surface. Attachment screws are included.

Notes

C frame cannot mount with grippers under heavy-duty work surface.

Dimensions

Specification Information

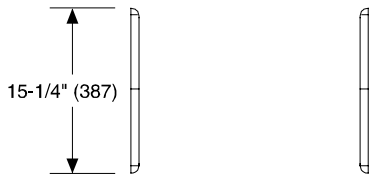
Step 1.

C0266FF \$87

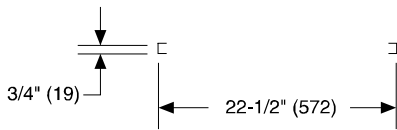
Step 2. Surface Finish

HF	inner tone light	+\$0
LT	light tone	+\$0
LU	soft white	+\$0
WN	warm grey neutral	+\$0

Co/Struc® Storage



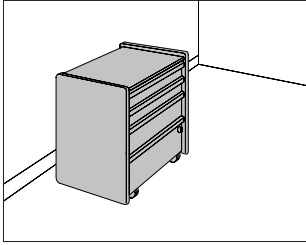
TOP



FRONT

Drawer Caddy with Casters

CO692.
CO693.



Product Information

Description

This mobile caddy fits below a hanging or freestanding work surface. It has full-width pulls, casters, 2 3"-high drawers, 1 6"-high drawer, and 1 9"-high drawer. The drawers can be removed and reconfigured within the caddy or used in other products that accept 20"-wide plastic drawers.

The 9"-high drawer is available with a lock.

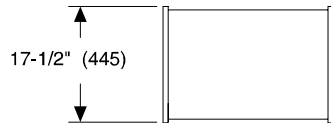
Notes

For caddy without drawers, order drawers separately.

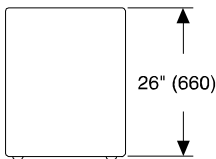
For general information on locks, see Keyed-Alike Information in Appendices.

Ships fully assembled.

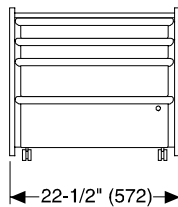
Dimensions



TOP



SIDE



FRONT

Specification Information

Step 1.

CO69

Step 2. Configuration

2.20 no drawers

3.20 drawers

Step 3. Lock

For no lock (*), skip this step.

For no drawers (2.20), skip this step.

For drawers (3.20)

L 9"-high drawer keyed differently

K 9"-high drawer keyed alike

Prices for Steps 1-3.

CO692.20	\$1922
CO693.20	\$2521
CO693.20 L	\$2661
K	\$2661

Step 4. Surface Finish

HF	inner tone light	+\$0
LT	light tone	+\$0
LU	soft white	+\$0
WN	warm grey neutral	+\$0

Step 5. Drawer Finish

For drawers (3.20)

1B	khaki	+\$0
2B	juniper	+\$0
3B	beachglass	+\$0
4B	plum	+\$0
5B	java	+\$0
5E	aquamarine	+\$0
6F	midnight	+\$0
DA	deep blue	+\$0
HF	inner tone light	+\$0
LT	light tone	+\$0
LU	soft white	+\$0
VR	vivid red	+\$0
WN	warm grey neutral	+\$0
ZP	terra cotta	+\$0

Co/Struc® Storage

Drawer Caddy with Casters

continued

Co/Struc® Storage

Step 6. Key Number					
For 9"-high drawer keyed alike (K)					
01	key number 01	+\$0	46	key number 46	+\$0
02	key number 02	+\$0	47	key number 47	+\$0
03	key number 03	+\$0	48	key number 48	+\$0
04	key number 04	+\$0	49	key number 49	+\$0
05	key number 05	+\$0	50	key number 50	+\$0
06	key number 06	+\$0	51	key number 51	+\$0
07	key number 07	+\$0	52	key number 52	+\$0
08	key number 08	+\$0	53	key number 53	+\$0
09	key number 09	+\$0	54	key number 54	+\$0
10	key number 10	+\$0	55	key number 55	+\$0
11	key number 11	+\$0	56	key number 56	+\$0
12	key number 12	+\$0	57	key number 57	+\$0
13	key number 13	+\$0	58	key number 58	+\$0
14	key number 14	+\$0	59	key number 59	+\$0
15	key number 15	+\$0	60	key number 60	+\$0
16	key number 16	+\$0	61	key number 61	+\$0
17	key number 17	+\$0	62	key number 62	+\$0
18	key number 18	+\$0	63	key number 63	+\$0
19	key number 19	+\$0	64	key number 64	+\$0
20	key number 20	+\$0	65	key number 65	+\$0
21	key number 21	+\$0	66	key number 66	+\$0
22	key number 22	+\$0	67	key number 67	+\$0
23	key number 23	+\$0	68	key number 68	+\$0
24	key number 24	+\$0	69	key number 69	+\$0
25	key number 25	+\$0	70	key number 70	+\$0
26	key number 26	+\$0	71	key number 71	+\$0
27	key number 27	+\$0	72	key number 72	+\$0
28	key number 28	+\$0	73	key number 73	+\$0
29	key number 29	+\$0	74	key number 74	+\$0
30	key number 30	+\$0	75	key number 75	+\$0
31	key number 31	+\$0	76	key number 76	+\$0
32	key number 32	+\$0	77	key number 77	+\$0
33	key number 33	+\$0	78	key number 78	+\$0
34	key number 34	+\$0	79	key number 79	+\$0
35	key number 35	+\$0	80	key number 80	+\$0
36	key number 36	+\$0	81	key number 81	+\$0
37	key number 37	+\$0	82	key number 82	+\$0
38	key number 38	+\$0	83	key number 83	+\$0
39	key number 39	+\$0	84	key number 84	+\$0
40	key number 40	+\$0	85	key number 85	+\$0
41	key number 41	+\$0	86	key number 86	+\$0
42	key number 42	+\$0	87	key number 87	+\$0
43	key number 43	+\$0	88	key number 88	+\$0
44	key number 44	+\$0	89	key number 89	+\$0
45	key number 45	+\$0	90	key number 90	+\$0
			91	key number 91	+\$0
			92	key number 92	+\$0

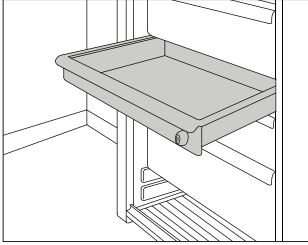
Drawer Caddy with Casters

continued

93	key number 93	+\$0
94	key number 94	+\$0
95	key number 95	+\$0
96	key number 96	+\$0
97	key number 97	+\$0
98	key number 98	+\$0
99	key number 99	+\$0

Drawer

C0207
C0208
C0209



Product Information

Description

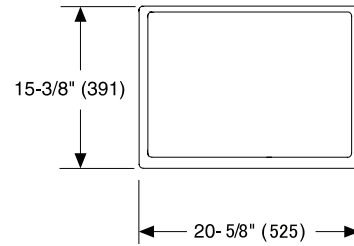
This drawer fits into a locker or C frame and has stops to prevent accidental removal. It can also be mounted under a work surface using drawer bearers, ordered separately. The drawer is available with no lock, keyed lock, keyless lock or RFID lock.

Notes

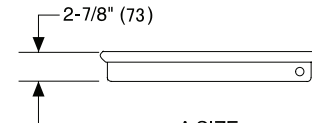
To mount drawer under table or work surface, order drawer bearer package (C0228) or lockable drawer bearer (C0396) separately. Order optional A-size subcontainer (C0231, C0232, C0233, C0234, C0235, or C0369) or B-size subcontainer (C0236, C0238, or C0240) separately. Drawer with keyless lock (KP) or RFID (RF) option cannot be used in locker with tambour door. Keyed lock is located on right side; keyless lock and RFID lock are located on left side. For general information on locks, see Keyed-Alike Information in Appendices.

Co/Struc® Storage

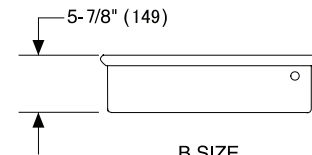
Dimensions



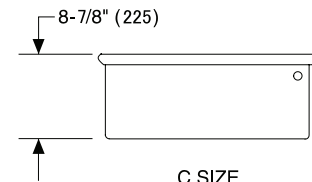
TOP



A SIZE
FRONT



B SIZE
FRONT



C SIZE
FRONT

Specification Information

Step 1.

CO20

Step 2. Size/Height

- 7** a size
- 8** b size
- 9** c size

Step 3. Lock

- FF** no lock
- FL** keyed differently
- KA** keyed alike
- KP** keyless lock
- RF** RFID lock

Prices for Steps 1-3.

CO207 FF	\$129
FL	\$269
KA	\$269
KP	\$862
RF	\$1866
<hr/>	
CO208 FF	\$167
FL	\$305
KA	\$305
KP	\$895
RF	\$1899
<hr/>	
CO209 FF	\$209
FL	\$350
KA	\$350
KP	\$939
RF	\$1941

Step 4. Surface Finish

1B	khaki	+ \$0
2B	juniper	+ \$0
3B	beachglass	+ \$0
4B	plum	+ \$0
5B	java	+ \$0
5E	aquamarine	+ \$0
6F	midnight	+ \$0
DA	deep blue	+ \$0
HF	inner tone light	+ \$0
LT	light tone	+ \$0
LU	soft white	+ \$0
VR	vivid red	+ \$0
WN	warm grey neutral	+ \$0
YT	yellow	+ \$0
ZP	terra cotta	+ \$0

Step 5. Key Number

For keyed alike (KA)

01	key number 01	+ \$0
02	key number 02	+ \$0
03	key number 03	+ \$0
04	key number 04	+ \$0
05	key number 05	+ \$0
06	key number 06	+ \$0
07	key number 07	+ \$0
08	key number 08	+ \$0
09	key number 09	+ \$0
10	key number 10	+ \$0
11	key number 11	+ \$0
12	key number 12	+ \$0
13	key number 13	+ \$0
14	key number 14	+ \$0
15	key number 15	+ \$0
16	key number 16	+ \$0
17	key number 17	+ \$0
18	key number 18	+ \$0
19	key number 19	+ \$0
20	key number 20	+ \$0
21	key number 21	+ \$0
22	key number 22	+ \$0
23	key number 23	+ \$0
24	key number 24	+ \$0
25	key number 25	+ \$0
26	key number 26	+ \$0
27	key number 27	+ \$0
28	key number 28	+ \$0

Co/Struc® Storage

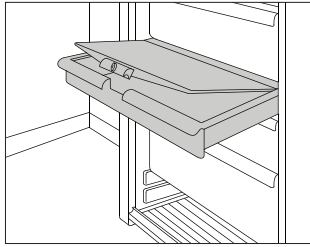
Drawer *continued*

Co/Struc® Storage

29	key number 29	+\$0	76	key number 76	+\$0
30	key number 30	+\$0	77	key number 77	+\$0
31	key number 31	+\$0	78	key number 78	+\$0
32	key number 32	+\$0	79	key number 79	+\$0
33	key number 33	+\$0	80	key number 80	+\$0
34	key number 34	+\$0	81	key number 81	+\$0
35	key number 35	+\$0	82	key number 82	+\$0
36	key number 36	+\$0	83	key number 83	+\$0
37	key number 37	+\$0	84	key number 84	+\$0
38	key number 38	+\$0	85	key number 85	+\$0
39	key number 39	+\$0	86	key number 86	+\$0
40	key number 40	+\$0	87	key number 87	+\$0
41	key number 41	+\$0	88	key number 88	+\$0
42	key number 42	+\$0	89	key number 89	+\$0
43	key number 43	+\$0	90	key number 90	+\$0
44	key number 44	+\$0	91	key number 91	+\$0
45	key number 45	+\$0	92	key number 92	+\$0
46	key number 46	+\$0	93	key number 93	+\$0
47	key number 47	+\$0	94	key number 94	+\$0
48	key number 48	+\$0	95	key number 95	+\$0
49	key number 49	+\$0	96	key number 96	+\$0
50	key number 50	+\$0	97	key number 97	+\$0
51	key number 51	+\$0	98	key number 98	+\$0
52	key number 52	+\$0	99	key number 99	+\$0
53	key number 53	+\$0			
54	key number 54	+\$0			
55	key number 55	+\$0			
56	key number 56	+\$0			
57	key number 57	+\$0			
58	key number 58	+\$0			
59	key number 59	+\$0			
60	key number 60	+\$0			
61	key number 61	+\$0			
62	key number 62	+\$0			
63	key number 63	+\$0			
64	key number 64	+\$0			
65	key number 65	+\$0			
66	key number 66	+\$0			
67	key number 67	+\$0			
68	key number 68	+\$0			
69	key number 69	+\$0			
70	key number 70	+\$0			
71	key number 71	+\$0			
72	key number 72	+\$0			
73	key number 73	+\$0			
74	key number 74	+\$0			
75	key number 75	+\$0			

Drawer with Lockable Lid

C0370
C0372
C0374



Product Information

Description

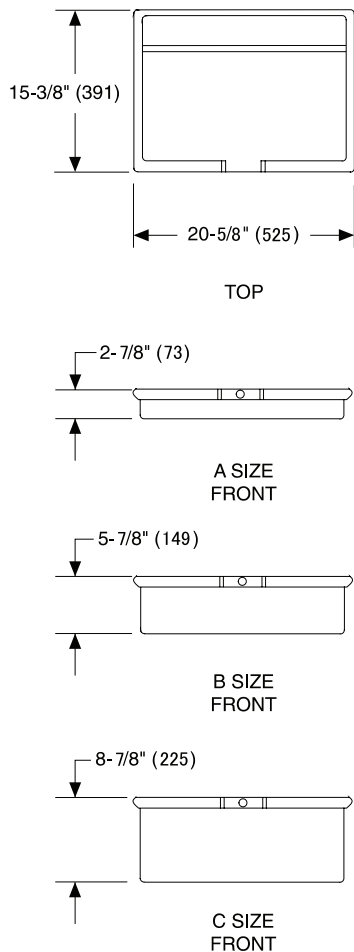
This drawer has a hinged steel lid that can be locked. The lid can open when the drawer is pulled out to a stop position; the lid cannot be removed.

The drawer is 3", 6", or 9" high.

Notes

For B-size drawer with lockable lid, order A-size subcontainer only. For C-size drawer with lockable lid, order A- or B-size subcontainers only. For general information on locks, see Keyed-Alike Information in Appendices.

Dimensions



Specification Information

Step 1.

C037

Step 2. Size/Height

0 a size
2 b size
4 c size

Step 3. Lid Lock

FF keyed differently
KA keyed alike

Prices for Steps 1-3.

C0370 FF	\$458
KA	\$458

C0372 FF	\$493
KA	\$493

C0374 FF	\$541
KA	\$541

Step 4. Drawer Finish

1B khaki	+\$0
2B juniper	+\$0
3B beachglass	+\$0
4B plum	+\$0
5B java	+\$0
5E aquamarine	+\$0
6F midnight	+\$0
DA deep blue	+\$0
HF inner tone light	+\$0
LT light tone	+\$0
LU soft white	+\$0
VR vivid red	+\$0
WN warm grey neutral	+\$0
ZP terra cotta	+\$0

Step 5. Lid Finish

LU soft white	+\$0
----------------------	------

Step 6. Key Number

For keyed alike (KA)

01 key number 01	+\$0
02 key number 02	+\$0
03 key number 03	+\$0

Drawer with Lockable Lid *continued*

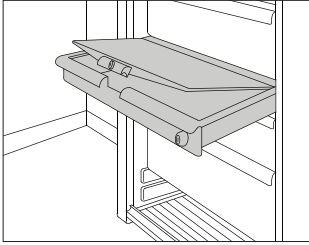
Co/Struc® Storage

04	key number 04	+\$0	51	key number 51	+\$0
05	key number 05	+\$0	52	key number 52	+\$0
06	key number 06	+\$0	53	key number 53	+\$0
07	key number 07	+\$0	54	key number 54	+\$0
08	key number 08	+\$0	55	key number 55	+\$0
09	key number 09	+\$0	56	key number 56	+\$0
10	key number 10	+\$0	57	key number 57	+\$0
11	key number 11	+\$0	58	key number 58	+\$0
12	key number 12	+\$0	59	key number 59	+\$0
13	key number 13	+\$0	60	key number 60	+\$0
14	key number 14	+\$0	61	key number 61	+\$0
15	key number 15	+\$0	62	key number 62	+\$0
16	key number 16	+\$0	63	key number 63	+\$0
17	key number 17	+\$0	64	key number 64	+\$0
18	key number 18	+\$0	65	key number 65	+\$0
19	key number 19	+\$0	66	key number 66	+\$0
20	key number 20	+\$0	67	key number 67	+\$0
21	key number 21	+\$0	68	key number 68	+\$0
22	key number 22	+\$0	69	key number 69	+\$0
23	key number 23	+\$0	70	key number 70	+\$0
24	key number 24	+\$0	71	key number 71	+\$0
25	key number 25	+\$0	72	key number 72	+\$0
26	key number 26	+\$0	73	key number 73	+\$0
27	key number 27	+\$0	74	key number 74	+\$0
28	key number 28	+\$0	75	key number 75	+\$0
29	key number 29	+\$0	76	key number 76	+\$0
30	key number 30	+\$0	77	key number 77	+\$0
31	key number 31	+\$0	78	key number 78	+\$0
32	key number 32	+\$0	79	key number 79	+\$0
33	key number 33	+\$0	80	key number 80	+\$0
34	key number 34	+\$0	81	key number 81	+\$0
35	key number 35	+\$0	82	key number 82	+\$0
36	key number 36	+\$0	83	key number 83	+\$0
37	key number 37	+\$0	84	key number 84	+\$0
38	key number 38	+\$0	85	key number 85	+\$0
39	key number 39	+\$0	86	key number 86	+\$0
40	key number 40	+\$0	87	key number 87	+\$0
41	key number 41	+\$0	88	key number 88	+\$0
42	key number 42	+\$0	89	key number 89	+\$0
43	key number 43	+\$0	90	key number 90	+\$0
44	key number 44	+\$0	91	key number 91	+\$0
45	key number 45	+\$0	92	key number 92	+\$0
46	key number 46	+\$0	93	key number 93	+\$0
47	key number 47	+\$0	94	key number 94	+\$0
48	key number 48	+\$0	95	key number 95	+\$0
49	key number 49	+\$0	96	key number 96	+\$0
50	key number 50	+\$0	97	key number 97	+\$0

Drawer with Lockable Lid *continued*

98	key number 98	+\$0
99	key number 99	+\$0

Locked Drawer with Lockable Lid C0371
C0373
C0375



Product Information

Description

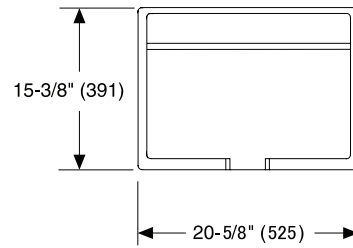
This drawer fits into a locker and has stops to prevent accidental removal. It has a lockable, non-removable lid that can open when the drawer is pulled out. The drawer is available with a keyed lock, keyless lock or RFID lock.

Notes

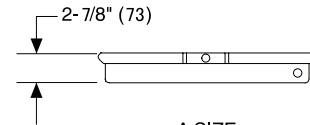
Locked drawer with lockable lid cannot be used with a C frame.
 Drawer with keyless lock (KP) or RFID lock (RF) option cannot be used in locker with tambour door.
 Keyed lock is located on right side; keyless lock and RFID lock are located on left side.
 For general information on locks, see Keyed-Alike Information in Appendices.

Co/Struc® Storage

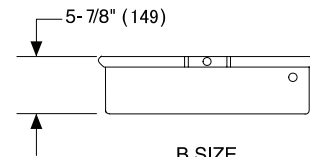
Dimensions



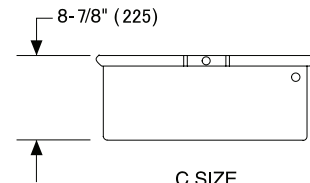
TOP



A SIZE FRONT



B SIZE FRONT



C SIZE FRONT

Locked Drawer with Lockable Lid

continued

Specification Information

Step 1.

CO37

Step 2. Size/Height

1	a size
3	b size
5	c size

Step 3. Drawer/Lid Lock

FF	keyed differently
KA	keyed alike
KP	keyless lock
RF	RFID lock

Prices for Steps 1-3.

CO371 FF	\$589
KA	\$589
KP	\$1203
RF	\$2224
<hr/>	
CO373 FF	\$627
KA	\$627
KP	\$1246
RF	\$2270
<hr/>	
CO375 FF	\$673
KA	\$690
KP	\$1282
RF	\$2302

Step 4. Drawer Finish

1B	khaki	+\$0
2B	juniper	+\$0
3B	beachglass	+\$0
4B	plum	+\$0
5B	java	+\$0
5E	aquamarine	+\$0
6F	midnight	+\$0
DA	deep blue	+\$0
HF	inner tone light	+\$0
LT	light tone	+\$0
LU	soft white	+\$0
VR	vivid red	+\$0
WN	warm grey neutral	+\$0
ZP	terra cotta	+\$0

Step 5. Drawer Key Number

For keyed alike (KA)

01	key number 01	+\$0
02	key number 02	+\$0
03	key number 03	+\$0
04	key number 04	+\$0
05	key number 05	+\$0
06	key number 06	+\$0
07	key number 07	+\$0
08	key number 08	+\$0
09	key number 09	+\$0
10	key number 10	+\$0
11	key number 11	+\$0
12	key number 12	+\$0
13	key number 13	+\$0
14	key number 14	+\$0
15	key number 15	+\$0
16	key number 16	+\$0
17	key number 17	+\$0
18	key number 18	+\$0
19	key number 19	+\$0
20	key number 20	+\$0
21	key number 21	+\$0
22	key number 22	+\$0
23	key number 23	+\$0
24	key number 24	+\$0
25	key number 25	+\$0
26	key number 26	+\$0
27	key number 27	+\$0
28	key number 28	+\$0
29	key number 29	+\$0
30	key number 30	+\$0
31	key number 31	+\$0
32	key number 32	+\$0
33	key number 33	+\$0
34	key number 34	+\$0
35	key number 35	+\$0
36	key number 36	+\$0
37	key number 37	+\$0
38	key number 38	+\$0
39	key number 39	+\$0
40	key number 40	+\$0
41	key number 41	+\$0
42	key number 42	+\$0
43	key number 43	+\$0
44	key number 44	+\$0
45	key number 45	+\$0

Co/Struc® Storage

Locked Drawer with Lockable Lid

continued

Co/Struc® Storage

46	key number 46	+\$0	93	key number 93	+\$0
47	key number 47	+\$0	94	key number 94	+\$0
48	key number 48	+\$0	95	key number 95	+\$0
49	key number 49	+\$0	96	key number 96	+\$0
50	key number 50	+\$0	97	key number 97	+\$0
51	key number 51	+\$0	98	key number 98	+\$0
52	key number 52	+\$0	99	key number 99	+\$0
53	key number 53	+\$0			
54	key number 54	+\$0			
55	key number 55	+\$0	Step 6. Lid Finish		
56	key number 56	+\$0	LU	soft white	+\$0
57	key number 57	+\$0			
58	key number 58	+\$0	Step 7. Lid Key Number		
59	key number 59	+\$0	<i>For keyed alike (KA) or keyless lock (KP)</i>		
60	key number 60	+\$0	01	key number 01	+\$0
61	key number 61	+\$0	02	key number 02	+\$0
62	key number 62	+\$0	03	key number 03	+\$0
63	key number 63	+\$0	04	key number 04	+\$0
64	key number 64	+\$0	05	key number 05	+\$0
65	key number 65	+\$0	06	key number 06	+\$0
66	key number 66	+\$0	07	key number 07	+\$0
67	key number 67	+\$0	08	key number 08	+\$0
68	key number 68	+\$0	09	key number 09	+\$0
69	key number 69	+\$0	10	key number 10	+\$0
70	key number 70	+\$0	11	key number 11	+\$0
71	key number 71	+\$0	12	key number 12	+\$0
72	key number 72	+\$0	13	key number 13	+\$0
73	key number 73	+\$0	14	key number 14	+\$0
74	key number 74	+\$0	15	key number 15	+\$0
75	key number 75	+\$0	16	key number 16	+\$0
76	key number 76	+\$0	17	key number 17	+\$0
77	key number 77	+\$0	18	key number 18	+\$0
78	key number 78	+\$0	19	key number 19	+\$0
79	key number 79	+\$0	20	key number 20	+\$0
80	key number 80	+\$0	21	key number 21	+\$0
81	key number 81	+\$0	22	key number 22	+\$0
82	key number 82	+\$0	23	key number 23	+\$0
83	key number 83	+\$0	24	key number 24	+\$0
84	key number 84	+\$0	25	key number 25	+\$0
85	key number 85	+\$0	26	key number 26	+\$0
86	key number 86	+\$0	27	key number 27	+\$0
87	key number 87	+\$0	28	key number 28	+\$0
88	key number 88	+\$0	29	key number 29	+\$0
89	key number 89	+\$0	30	key number 30	+\$0
90	key number 90	+\$0	31	key number 31	+\$0
91	key number 91	+\$0	32	key number 32	+\$0
92	key number 92	+\$0	33	key number 33	+\$0
			34	key number 34	+\$0

Locked Drawer with Lockable Lid

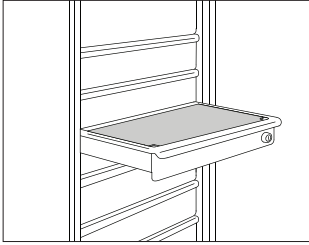
continued

35	key number 35	+\$0	82	key number 82	+\$0
36	key number 36	+\$0	83	key number 83	+\$0
37	key number 37	+\$0	84	key number 84	+\$0
38	key number 38	+\$0	85	key number 85	+\$0
39	key number 39	+\$0	86	key number 86	+\$0
40	key number 40	+\$0	87	key number 87	+\$0
41	key number 41	+\$0	88	key number 88	+\$0
42	key number 42	+\$0	89	key number 89	+\$0
43	key number 43	+\$0	90	key number 90	+\$0
44	key number 44	+\$0	91	key number 91	+\$0
45	key number 45	+\$0	92	key number 92	+\$0
46	key number 46	+\$0	93	key number 93	+\$0
47	key number 47	+\$0	94	key number 94	+\$0
48	key number 48	+\$0	95	key number 95	+\$0
49	key number 49	+\$0	96	key number 96	+\$0
50	key number 50	+\$0	97	key number 97	+\$0
51	key number 51	+\$0	98	key number 98	+\$0
52	key number 52	+\$0	99	key number 99	+\$0
53	key number 53	+\$0			
54	key number 54	+\$0			
55	key number 55	+\$0			
56	key number 56	+\$0			
57	key number 57	+\$0			
58	key number 58	+\$0			
59	key number 59	+\$0			
60	key number 60	+\$0			
61	key number 61	+\$0			
62	key number 62	+\$0			
63	key number 63	+\$0			
64	key number 64	+\$0			
65	key number 65	+\$0			
66	key number 66	+\$0			
67	key number 67	+\$0			
68	key number 68	+\$0			
69	key number 69	+\$0			
70	key number 70	+\$0			
71	key number 71	+\$0			
72	key number 72	+\$0			
73	key number 73	+\$0			
74	key number 74	+\$0			
75	key number 75	+\$0			
76	key number 76	+\$0			
77	key number 77	+\$0			
78	key number 78	+\$0			
79	key number 79	+\$0			
80	key number 80	+\$0			
81	key number 81	+\$0			

Co/Struc® Storage

Clear Lid

C0508.



Product Information

Description

This clear lid fits on a Co/Struc drawer and provides top closure.

Notes

Order drawer (C0207, C0208, or C0209) separately.

Dimensions

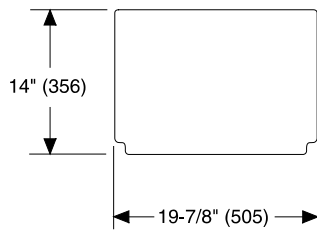
Specification Information

Step 1.

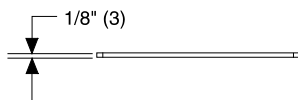
C0508.20

\$193

Co/Struc® Storage



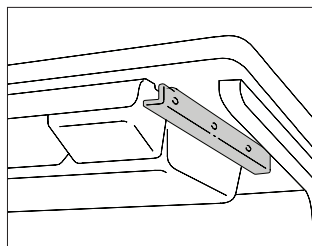
TOP



FRONT

Drawer Bearer Package

C0228

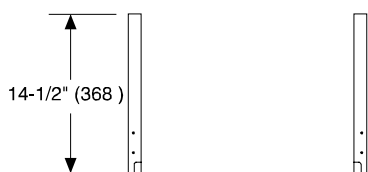


Product Information

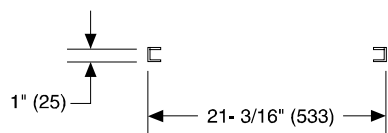
Description

This package is used to mount a nonlocking drawer under a work surface. The drawer bearer has integral stops to prevent drawers from falling when pulled out. Mounting hardware is included.

Dimensions



TOP



FRONT

Specification Information

Step 1.

C0228FF \$47

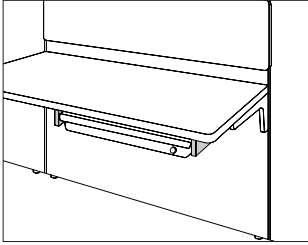
Step 2. Surface Finish

BK black +\$0

Co/Struc® Storage

Lockable Drawer Bearer

C0396



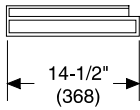
Product Information

Description

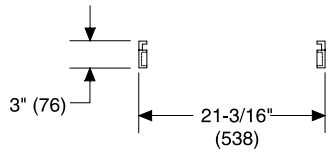
This component is used to mount a drawer with lock under a work surface. The lockable drawer bearer has integral stops to prevent drawers from falling when pulled out. Mounting hardware is included.

Dimensions

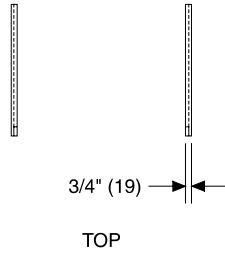
Co/Struc® Storage



SIDE



FRONT



TOP

Specification Information

Step 1.

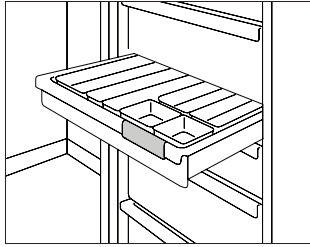
C0396FF \$104

Step 2. Surface Finish

BK black +\$0

Label Clip

C0274
C0462

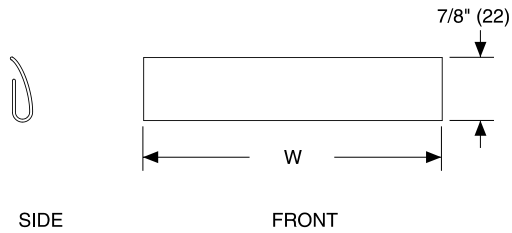


Product Information

Description

This clip snaps onto a drawer, tray/shelf, or flipper to hold content labels. The clip accepts pressure-sensitive labels from the front or slide-in labels from the back. Finish is clear. Package contains 12 clips; labels not included.

Dimensions



Specification Information

Step 1.

C0

Step 2. Width

27427 6" wide

462 19" wide

Prices for Steps 1-2.

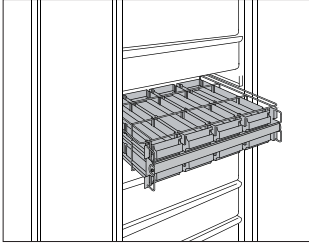
C027427

\$46

C0462

\$81

Co/Struc® Storage

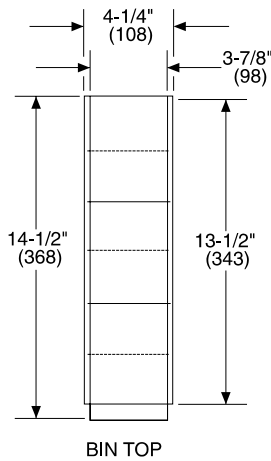
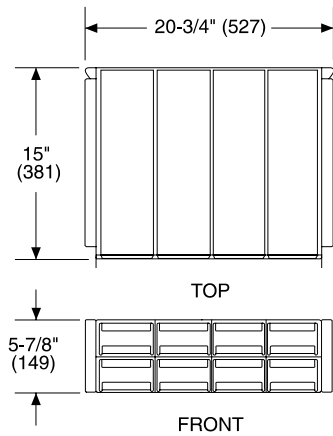


Product Information

Description

This assembly fits inside a locker or C frame or fits below a work surface with a drawer bearer. It has a wire cassette, cassette bins, and subdividers. The assembly fills 2 slots in a locker or C frame.

Dimensions



Specification Information

Step 1.

C0565FF \$698

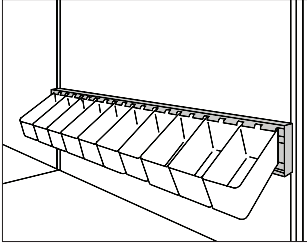
Step 2. Surface Finish

LU soft white +\$0

Co/Struc® Storage

Dispensing Rail

C0365
C0366
C0367
C0368



Product Information

Description

This rail attaches to a panel, a freestanding module, or wall strips to support subcontainers at a 15° angle for gravity-feed dispensing.

Package contains 2.

The A-size rail holds A-size subcontainers; the B-size rail holds B-size subcontainers.

Notes

Dispensing rails hold the following number of subcontainers:

A-Size Rail Width—Number of Subcontainers

24" — 5 A-1, A-2, A-3 or A-4

24" — 2 A-5

24" — 10 A-8

48" — 10 A-1, A-2, A-3, or A-4

48" — 5 A-5

48" — 20 A-8

B-Size Rail Width—Number of Subcontainers

24" — 5 B-1 or B-3

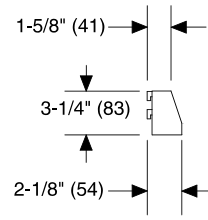
24" — 2 B-5

48" — 10 B-1 or B-3

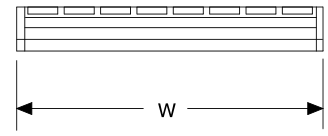
48" — 5 B-5

Order optional A-size subcontainer (C0231, C0232, C0233, C0234, C0235, or C0369) or B-size subcontainer (C0236, C0238, or C0240) separately.

Dimensions

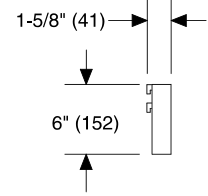


SIDE

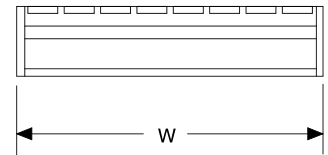


A-SIZE

FRONT



SIDE



B-SIZE

FRONT

Dispensing Rail *continued*

Co/Struc® Storage

Specification Information

Step 1.

CO36

Step 2. Size/Width

5FF a size and 24" wide

6FF a size and 48" wide

7FF b size and 24" wide

8FF b size and 48" wide

Prices for Steps 1-2.

CO365FF \$485

CO366FF \$619

CO367FF \$522

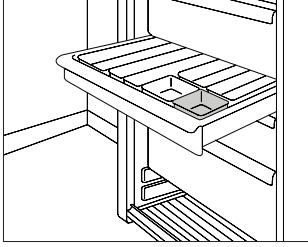
CO368FF \$623

Step 3. Surface Finish

LU soft white +\$0

Subcontainer

C0231
C0232
C0233
C0234
C0235
C0236
C0238
C0240
C0369



Product Information

Description

This storage container fits into a drawer or onto a dispensing rail to organize and store small items. Package contains 12.

The A-size subcontainer is used with an A-size drawer (without lid) or A-size dispensing rail. It is $2\frac{3}{16}$ " high; depth and width dimensions are:

Type—Depth—Width

A-1— $4\frac{9}{16}$ "— $4\frac{9}{16}$ "

A-2— $9\frac{3}{16}$ "— $4\frac{9}{16}$ "

A-3— $13\frac{13}{16}$ "— $4\frac{9}{16}$ "

A-4— $18\frac{7}{16}$ "— $4\frac{9}{16}$ "

A-5— $9\frac{3}{16}$ "— $9\frac{3}{16}$ "

A-8— $13\frac{13}{16}$ "— $2\frac{1}{4}$ "

The B-size subcontainer is used with a B-size drawer (without lid), B-size dispensing rail, or C-size drawer. It is $5\frac{3}{16}$ " high; depth and width dimensions are:

Type—Depth—Width

B-1— $4\frac{9}{16}$ "— $4\frac{9}{16}$ "

B-3— $13\frac{13}{16}$ "— $4\frac{9}{16}$ "

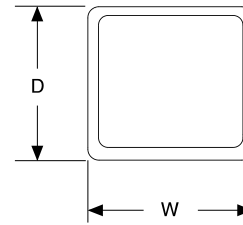
B-5— $9\frac{3}{16}$ "— $9\frac{3}{16}$ "

Notes

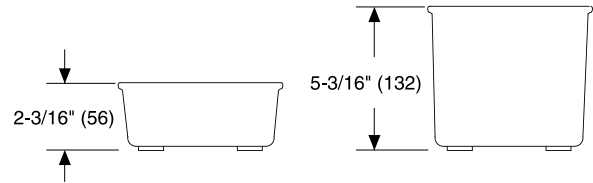
Order following products separately:

- Drawer (C0207, C0208, or C0209)
- Dispensing rail (C0365, C0366, C0367, or C0368)

Dimensions



TOP



A-SIZE
FRONT

B-SIZE
FRONT

Co/Struc® Storage

Specification Information

Step 1.

CO

Step 2. Size

- 231FF** a-1
- 232FF** a-2
- 233FF** a-3
- 234FF** a-4
- 235FF** a-5
- 369FF** a-8
- 236FF** b-1
- 238FF** b-3
- 240FF** b-5

Prices for Steps 1-2.

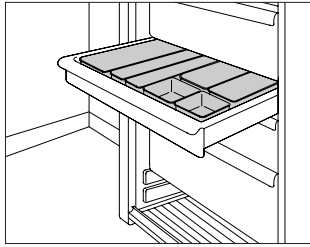
CO231FF	\$104
CO232FF	\$104
CO233FF	\$114
CO234FF	\$114
CO235FF	\$114
CO369FF	\$109
CO236FF	\$114
CO238FF	\$157
CO240FF	\$157

Step 3. Surface Finish

LU soft white + \$0

A-Size Drawer Organizer Kit

- C0540
- C0541
- C0542
- C0543
- C0544
- C0545



Product Information

Description

This kit fits inside an A-size drawer (without lid) and has 6 combinations of subcontainers and subcontainer dividers.

A-size subcontainer is 2³/₁₆" high. Width and depth dimensions are:

Type—Width—Depth

A-1—4⁹/₁₆"—4⁹/₁₆"

A-2—4⁹/₁₆"—9³/₁₆"

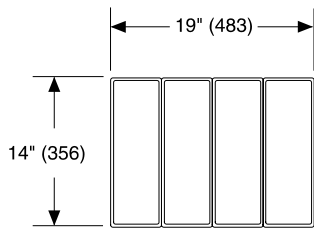
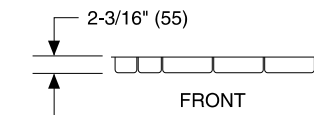
A-3—4⁹/₁₆"—13¹³/₁₆"

A-4—4⁹/₁₆"—18⁷/₁₆"

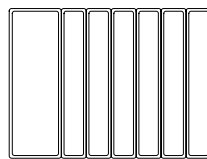
A-5—9³/₁₆"—9³/₁₆"

A-8—2¹/₄"—13¹³/₁₆"

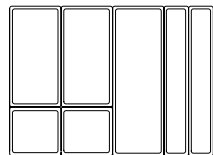
Dimensions



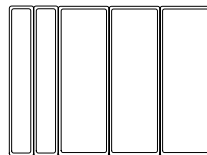
CO540FF



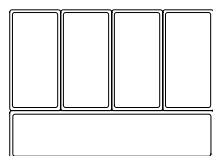
CO541FF



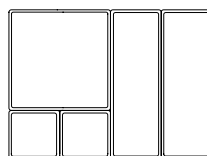
CO542FF



CO543FF



CO544FF



CO545FF

Specification Information

Step 1.

C054

Step 2. Components

- 0FF** 4 a-3 subcontainers, 6 a-3 dividers
- 1FF** 1 a-3 subcontainer, 6 a-8 subcontainers, 2 a-3 dividers, 7 a-8 dividers
- 2FF** 2 a-1 subcontainers, 2 a-2 subcontainers, 1 a-3 subcontainer, 2 a-8 subcontainers, 4 a-3 dividers, 3 a-8 dividers
- 3FF** 3 a-3 subcontainers, 2 a-8 subcontainers, 4 a-3 dividers, 3 a-8 dividers
- 4FF** 4 a-2 subcontainers, 1 a-4 subcontainer, 8 a-3 dividers
- 5FF** 2 a-1 subcontainers, 2 a-3 subcontainers, 1 a-5 subcontainer, 4 a-3 dividers

Prices for Steps 1-2.

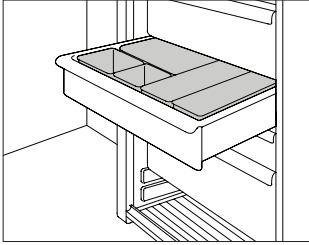
C0540FF	\$97
C0541FF	\$101
C0542FF	\$101
C0543FF	\$97
C0544FF	\$97
C0545FF	\$97

Step 3. Surface Finish

LU soft white	+\$0
----------------------	------

B-Size Drawer Organizer Kit

C0546
C0547



Product Information

Description

This kit fits inside a B-size drawer (without lid) or C-size drawer and has 2 combinations of subcontainers and subcontainer dividers.

The B-size subcontainer is 5 3/16" high. Width and depth dimensions are:

Type—Width—Depth

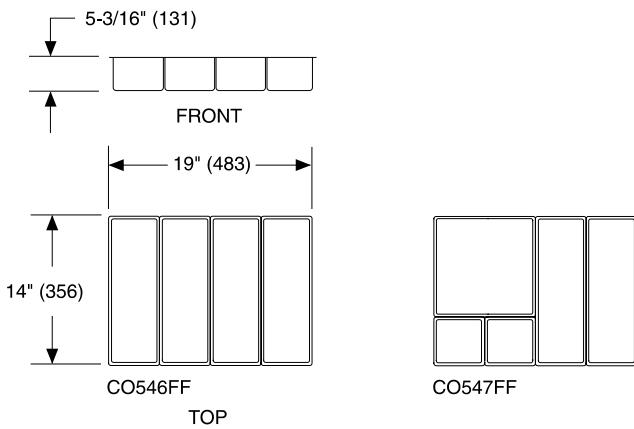
B-1—4 9/16"—4 9/16"

B-3—4 9/16"—13 13/16"

B-5—9 3/16"—9 3/16"

Dimensions

Co/Struc® Storage



Specification Information

Step 1.

C054

Step 2. Components

6FF 4 b-3 subcontainers, 4 b-3 dividers

7FF 2 b-1 subcontainers, 2 b-3 subcontainers, 1 b-5 subcontainer, 2 b-3 dividers

Prices for Steps 1-2.

C0546FF \$116

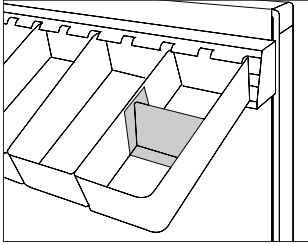
C0547FF \$116

Step 3. Surface Finish

LU soft white +\$0

Subcontainer Divider

C0378
C0379
C0380



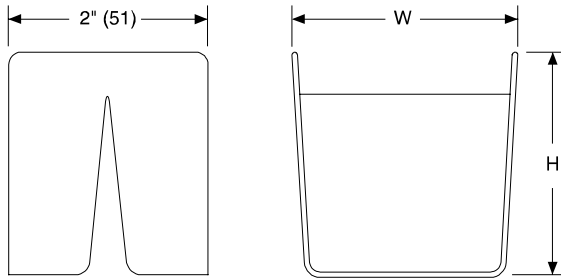
Product Information

Description

This divider fits into subcontainers to separate and organize stored items. A divider can be adjusted by sliding it to the desired position. The divider is not available for A-5 and B-5 subcontainers. Package contains 12.

The divider for an A-8 subcontainer is 1⁵/₈" high and 2¹/₈" wide; the divider for an A-1, A-2, A-3, or A-4 subcontainer is 1⁵/₈" high and 4¹/₄" wide; and the divider for a B-1 or B-3 subcontainer is 4" high and 4¹/₄" wide.

Dimensions



SIDE

FRONT

Specification Information

Step 1.

C03

Step 2. Usage

78FF for a-8 subcontainer

79FF for a-1, a-2, a-3, or a-4 subcontainers

80FF for b-1 or b-3 subcontainers

Prices for Steps 1-2.

C0378FF	\$98
C0379FF	\$98
C0380FF	\$100

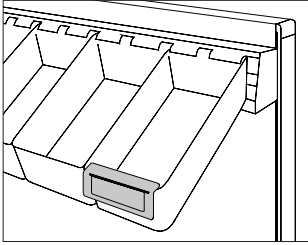
Step 3. Surface Finish

LU soft white	+ \$0
----------------------	-------

Co/Struc® Storage

Subcontainer Handle

C0376
C0377



Product Information

Description

This snap-on handle has a surface for identification labels in a picking station. It also can convert a small or large subcontainer into a drawer when used on the flat surface of a C tray. The handle cannot be used with a subcontainer in an A-size drawer. Package contains 12.

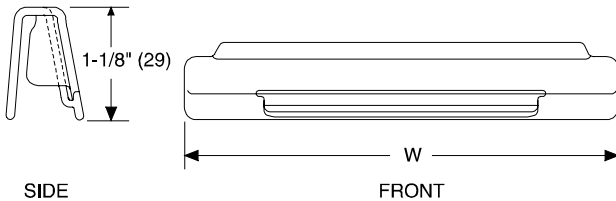
Notes

Handle accepts following label:

- 2¹/₈"-wide handle: 3/4" x 1" gummed label
- 4¹/₂"-wide handle: 3/4" x 3" drop-in label

For 4¹/₂"-wide handle, order label (C0459) separately.

Dimensions



Specification Information

Step 1.

C037

Step 2. Width

6FF 2¹/₈" wide

7FF 4¹/₂" wide

Prices for Steps 1-2.

C0376FF \$51

C0377FF \$65

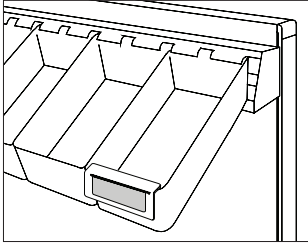
Step 3. Surface Finish

LU soft white +\$0

Co/Struc® Storage

Subcontainer Handle Label

C0459



Product Information

Description

This label slides into a 4 $\frac{1}{2}$ "-wide subcontainer handle. Package contains 100 cards with 10 perforated labels per card (1000 labels total).

Specification Information

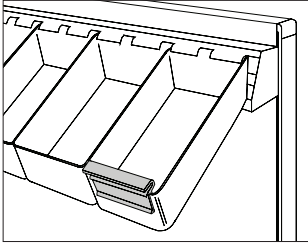
Step 1.

C0459

\$43

Subcontainer Label Flag

C0381
C0382



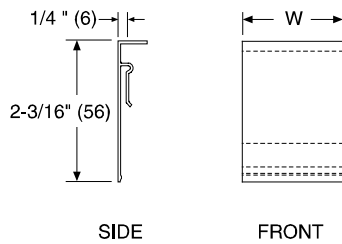
Product Information

Description

This flag snaps onto subcontainers that are hung from a dispensing rail. It provides a visible surface for identification labels. Package contains 12.

The flag for an A-8 subcontainer is 1 1/4" wide; the flag for an A-3 or B-3 subcontainer is 3 1/2" wide.

Dimensions



Co/Struc® Storage

Specification Information

Step 1.

C038

Step 2. Usage

1FF for a-8 subcontainer

2FF for a-3 or b-3 subcontainer

Prices for Steps 1-2.

C0381FF \$141

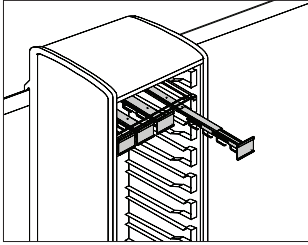
C0382FF \$160

Step 3. Surface Finish

LU soft white +\$0

Pullout Catheter Rack

CO469.

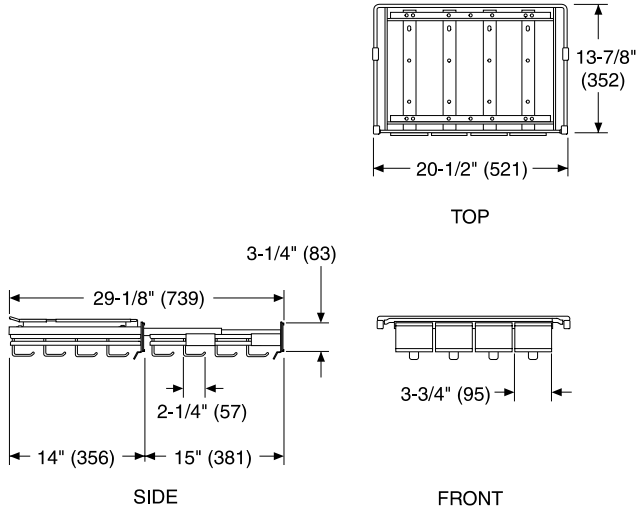


Product Information

Description

This 20"-wide, powder-coated wire rack fits into the slots of a locker to organize catheters. It is available with 3 or 4 independent, pullout slides. Each pullout slide has 4 prongs, 4 side label clips, and 1 front label holder. Each prong holds up to 10 catheters. Finish is soft white.

Dimensions



Specification Information

Step 1.

CO469.20

Step 2. Slides

- 03** 3 slides
- 04** 4 slides

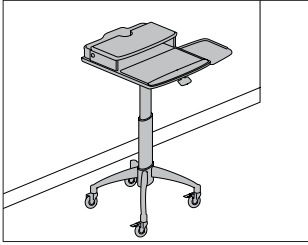
Prices for Steps 1-2.

CO469.20 03	\$1018
04	\$1137

Co/Struc® Storage

Laptop Cart

C0600.



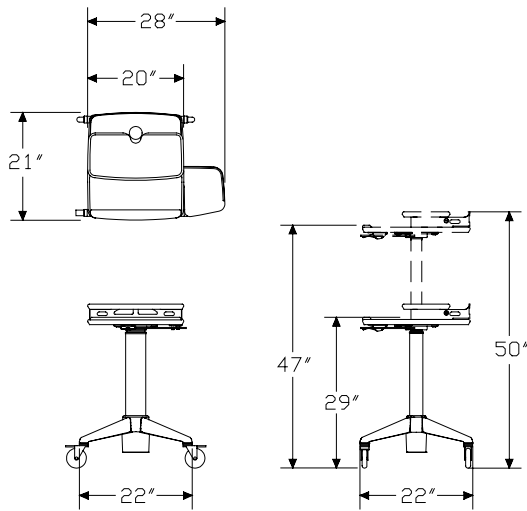
Product Information

Description

This height-adjustable laptop cart delivers point-of-care technology and holds a 17" laptop. The surface provides security by locking a laptop into place during use. The cart holds a maximum of 30 pounds and has 4"-high casters; 2 locking and 2 nonlocking. It has an 18" height-adjustment range and is adjusted with a paddle on the front of the surface. The cart includes a swivel mouse tray. Shipped fully assembled.

The surface is Cloud Surf laminate; the base finish is polished aluminum.

Dimensions



Specification Information

Step 1.

C0600.

Step 2. Power Option

- N** no power strip
- P** power strip

Step 3. Bar Code Scanner Holder

- N** no bar code scanner holder
- B** bar code scanner holder

Step 4. Utility Basket

- N** no utility basket
- U** utility basket

Step 5. Drawer

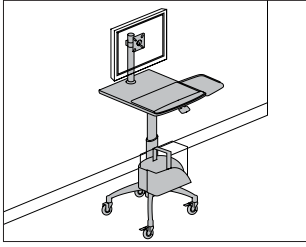
- N** no drawer
- D** drawer

Prices for Steps 1-5.

		NN	ND	UN	UD
C0600.N	N	\$3699	4229	3979	4508
	B	\$3841	4367	4122	4646
	P N	\$4170	4695	4452	4976
	B	\$4308	4834	4589	5115

Flat Panel Cart

CO601.



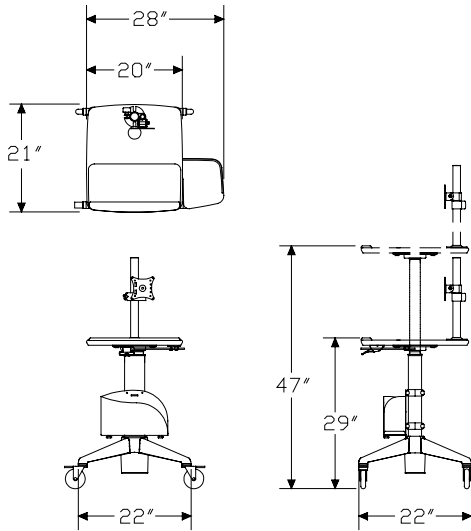
Product Information

Description

This height-adjustable cart delivers point-of-care technology. It holds a flat panel monitor arm and includes a 10"-wide column-mounted CPU holder with straps. The arm meets VESA standards (Video Electronic Standards Association - Mounting Interface Standards). The cart holds a maximum of 30 pounds and has 4"-high casters; 2 locking and 2 nonlocking. It has an 18" height-adjustment range and is adjusted with a paddle on the front of the surface. The cart includes a swivel mouse tray and 2 plates: 75mm and 100mm. Shipped fully assembled.

The surface is Cloud Surf laminate; the base finish is polished aluminum; and the CPU holder is black.

Dimensions



Specification Information

Step 1.

CO601.

Step 2. Power Option

- N** no power strip
- P** power strip

Step 3. Bar Code Scanner Holder

- N** no bar code scanner holder
- B** bar code scanner holder

Step 4. Utility Basket

- N** no utility basket
- U** utility basket

Step 5. Drawer

- N** no drawer
- D** drawer

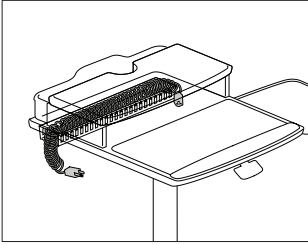
Prices for Steps 1-5.

		NN	ND	UN	UD
CO601.N	N	\$3902	4459	4198	4755
	B	\$4052	4608	4349	4902
	P N	\$4396	4950	4694	5248
	B	\$4546	5100	4842	5395

Co/Struc® Mobile Technology Carts

Coiled Power Cord

C0602.



Product Information

Description
This hospital-grade power cord has a 1.5' coiled cord that extends to 7.5'. Finish is black.

Dimensions

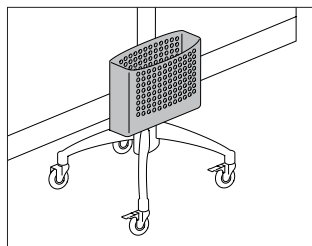
Specification Information

Step 1.
C0602. \$248



Utility Basket

C0605.

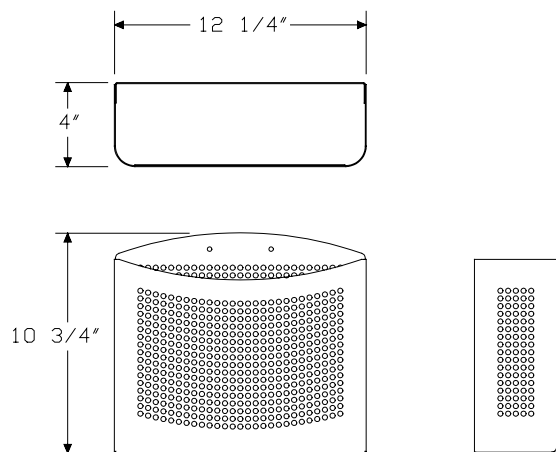


Product Information

Description

This perforated basket attaches to the column of a laptop or flat-panel cart and holds a utility basket. It can be used to hold charts, paper products, and other supplies. Finish is black.

Dimensions



Specification Information

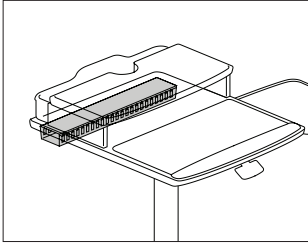
Step 1.

C0605.

\$315

Cable Manager

C0608.



Product Information

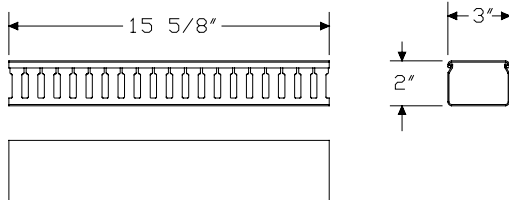
Description

This holder attaches to the surface of a laptop or flat-panel cart. It manages cables and wires and includes reusable cable ties. Finish is black.

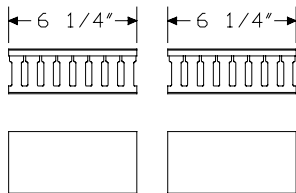
Notes

Laptop-cart cable manager has 1 solid holder. Flat-panel-cart cable manager has 2 pieces that attach to each side of the flat-screen arm holder and go down through the work surface.

Dimensions



01



02

Specification Information

Step 1.

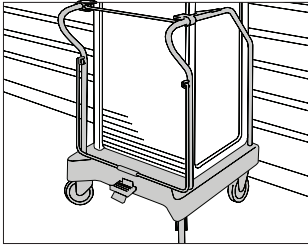
C0608.

Step 2. Usage

- 01** for laptop cart
- 02** for flat panel cart

Prices for Steps 1-2.

C0608.01	\$227
02	\$227

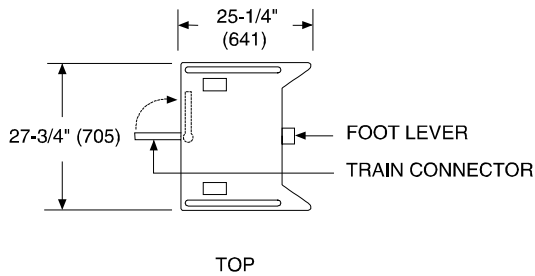


Product Information

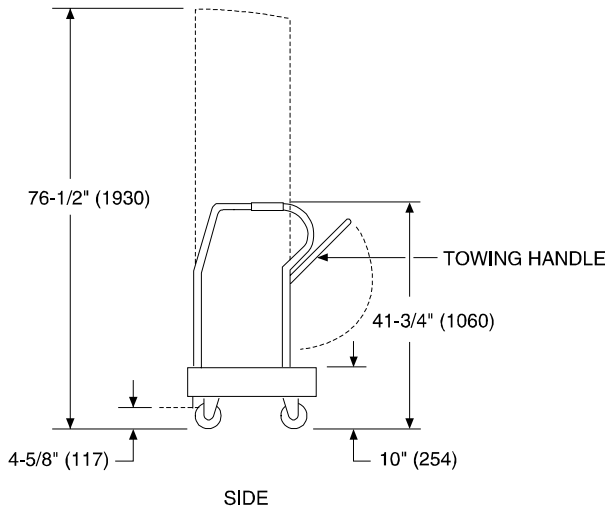
Description

This cart is used to maneuver and transport lockers. It has a foot-activated lever that lifts a locker from a rail to a cart or from a cart to a rail. The cart also has a towing handle and a train connector for linking multiple carts. A maximum of 3 carts can be linked when pulled manually; a maximum of 7 carts can be linked when pulled with a tug. Shipped knocked down.

Dimensions



TOP



SIDE

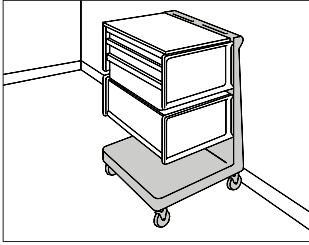
Specification Information

Step 1.

CO342FF \$3199

Step 2. Surface Finish

HF inner tone light +\$0



Product Information

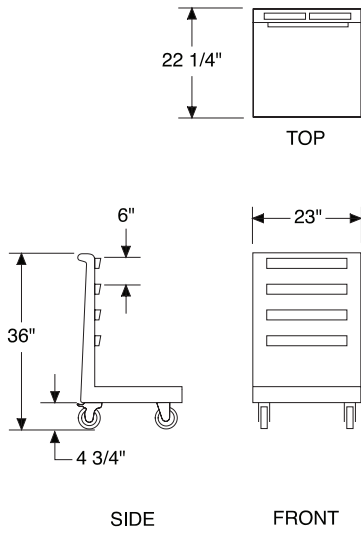
Description

This mobile cart has a platform, 4 rail profiles for hanging frames, and 4 casters (2 swivel and 2 swivel with brake) that are 4³/₄" hard-rubber zinc.

Notes

To hang drawer or shelf storage components, order C frame (C0205) separately.

Dimensions



Specification Information

Step 1.

C0212

Step 2. Application

FF standard

Prices for Steps 1-2.

C0212 FF \$1062

Step 3. Surface Finish

HF	inner tone light	+\$0
LT	light tone	+\$0
LU	soft white	+\$0
WN	warm grey neutral	+\$0

Index by Product Name

Co/Struc® System	
	page(s)
2-Way 90° Corner Connector	31
2-Way Module Corner Connector	46
3-Way 90° Corner Connector	32
3-Way Module Corner Connector	47
Access Panel Assembly	54
Adapter Rail	7
ADA Sink Support, Systems Mounted	112
Add-On Shelf, Shelf Unit	130
Add-On Shelf with Lip	142
Adjustable Work Table Base	99
Anchor Support Kit	49
A-Size Drawer Organizer Kit	193
Backsplash Filler	81
Basic Work Table Base	94
B-Size Drawer Organizer Kit	194
B-Style Rail-Hanging Shelf	138
B-Style Shelf	139
B-Style Shelf with Sloped Top	141
Cable Manager	204
Cassette Assembly	188
Ceiling Entry Support Panel	26
Center Closure Panel	61
C Frame	164
C Frame Support	78
Clear Lid	184
C Lid	166
Coiled Power Cord	202
Combination Access Panel Assembly	56
Component Adapter Kit	79
Counter Top	165
CS Tray/Shelf	163
C Tray/Shelf	167
C Wire Shelf	169
Dispensing Rail	189
Drawer	174
Drawer Bearer Package	185
Drawer Caddy with Casters	171
Drawer with Lockable Lid	177
Draw Rod, Seismic	12
End Cap for Standard or Seismic Rail	10
End Closure Assembly	60
Equipment Rail, Systems Mounted	9
Equipment Rail, Wall Mounted	8
Flat Panel Cart	201
Flat Panel Mount	109
Floor Anchor Adapter Kit	17

Floor Anchor Bracket, Action Office® Series 1	14
Floor Anchor Bracket, Action Office® Series 2	15
Floor Anchor Bracket, Co/Struc® Lab Module	13
Floor Entry Support Panel	24
Gripper Package	170
Heavy-Duty Corner Work Surface	82
Heavy-Duty Corner Work Surface, Action Office® Series 1 or 2 90° Corner Connector	84
Heavy-Duty Work Surface	72
Interface Connector	33
Interior Filler	116
Interior Shelf	51
Interior Shelf and Support Kit	53
Label Clip	187
Laptop Cart	200
L Cart	206
Light Bracket	133
Lockable Drawer Bearer	117, 186
Locked Drawer with Lockable Lid	180
Locker	148
Locker Hinged Door	157
Locker Lock Kit	159
Locker Lock Kit, Keyless	161
Locker on Wheel Base	155
Locker on Wheel Base, with Hinged Door	152
Locker on Wheel Base, with Tambour Door	149
Locker Tambour Door	156
Locker, with Hinged Door	146
Locker, with Tambour Door	144
Low Cup Sink Access Panel Assembly	58
Low Module	38
Low Module Terminal Panel	41
Marker Board	108
Mid-Run Support, Double Sided	36
Mid-Run Support, Single Sided	35
Module Support Leg	48
Module Wall Start	45
Open Support Panel	20
Panel Connector	34
Panel Stiffener, Action Office® Series 1 or Series 2 Top Cap	18
Panel Wall Start	30
Pass-Through Cover	77
Pass-Through Module	39
Pass-Through Module Terminal Panel	42
Power Strip	107
Process Table, Electric Height Adjustment	92
Pullout Catheter Rack	199

Index by Product Name *continued*

Index: Product Name

Rail-Hanging Work Surface	76	Wire Chase Overlay	69
Rail Hardware	6	Wire Chase Rail	62
Reagent Shelf	93	Wire Chase Rail, 90° Inside Corner	64
Riser Frame Divider	105	Wire Chase Rail Bridge	66
Riser Frame End Cover	106	Wire Chase Rail Cover	68
Seismic Finished End	16	Wire Chase Rail End Cap	67
Shelf End Cap	52	Workstation, Electric Height Adjustment	86
Shelf Label Clip	131, 143	Workstation, Manual Height Adjustment	88
Shelf Unit	126	Work Surface Backsplash	80
Shelf Unit, 90° Corner	129	Work Surface Support	75
Shelf Unit Back Panel	132	Work Table, Electric Height Adjustment	90
Shelf Unit, Diagonal Corner	128	Work Table Reagent Shelf	104
Shelf Unit Door	134	Work Table Surface, Rectangular	101
Shelf Unit Double Doors	135		
Shelf Unit Wall Attachment Panel	137		
Sink Module	110		
Sink Unit for Storage	111		
Sloped Shelf Unit Top	136		
Standard-Duty Work Surface	70		
Standard Rail	5		
Standard Work Table Base	96		
Storage Case	118		
Storage Case Bottle Drawer	122		
Storage Case Door	123		
Storage Case Drawer	121		
Storage Case Leg	124		
Storage Case Pullout Shelf	120		
Storage Case Shelf	119		
Storage Unit	113		
Storage Unit Door	115		
Storage Unit Shelf	114		
Storage Unit with Sliding Doors	125		
Subcontainer	191		
Subcontainer Divider	195		
Subcontainer Handle	196		
Subcontainer Handle Label	197		
Subcontainer Label Flag	198		
Subdivider Vane	168		
Support Panel	22		
Support Panel Top Cap	37		
Terminal Panel	28		
Top Shelf	50		
TR3 Cart	205		
Utility Basket	203		
Vertical Chase Cover	44		
Wall Rail, Seismic	11		
Wall Strip Cover	19		

Index by Product Number

A1250. Seismic Finished End	page(s) 16	C1455. Center Closure Panel	61
C460G. Basic Work Table Base	94	C1460. Vertical Chase Cover	44
C461G. Standard Work Table Base	96	C1510. Shelf End Cap	52
C462C. Adjustable Work Table Base	99	C1510. Top Shelf	50
C462G.		C1511. Interior Shelf	51
C1112. Low Module	38	C1511. Shelf End Cap	52
C1114. Pass-Through Module	39	C1515. Interior Shelf and Support Kit	53
C1122. Low Module Terminal Panel	41	C1610. Adapter Rail	7
C1122. Pass-Through Module Terminal Panel	42	C2140. Work Surface Support	75
C1124.		C2141. Heavy-Duty Work Surface	72
C1150. Open Support Panel	20	C2142. Standard-Duty Work Surface	70
C1151. Support Panel	22	C2192. C Frame Support	78
C1155. Floor Entry Support Panel	24	C2193. Component Adapter Kit	79
C1156. Ceiling Entry Support Panel	26	C2215. Heavy-Duty Corner Work Surface	82
C1161. Terminal Panel	28	C2216. Heavy-Duty Corner Work Surface, Action Office® Series 1 or 2	
C1170. Equipment Rail, Wall Mounted	8	90° Corner Connector	84
C1172. Equipment Rail, Systems Mounted	9	C2399. Pass-Through Cover	77
C1211. Panel Wall Start	30	C2410. Rail-Hanging Work Surface	76
C1212. Module Wall Start	45	C2512. Sink Module	110
C1220. 2-Way Module Corner Connector	46	C2513. Sink Unit for Storage	111
C1221. 2-Way 90° Corner Connector	31	C2520. ADA Sink Support, Systems Mounted	112
C1230. 3-Way Module Corner Connector	47	C2910. Work Surface Backsplash	80
C1231. 3-Way 90° Corner Connector	32	C2920. Backsplash Filler	81
C1261. Interface Connector	33	C3011. B-Style Shelf	139
C1272. Mid-Run Support, Single Sided	35	C3019. Add-On Shelf with Lip	142
C1273. Mid-Run Support, Double Sided	36	C3091. B-Style Shelf with Sloped Top	141
C1274. Support Panel Top Cap	37	C4310. Workstation, Electric Height Adjustment	86
C1275. Module Support Leg	48	C4311. Workstation, Manual Height Adjustment	88
C1276. Anchor Support Kit	49	C4312. Work Table, Electric Height Adjustment	90
C1281. Panel Connector	34	C4313. Process Table, Electric Height Adjustment	92
C1313. Wire Chase Rail	62	C4320. Riser Frame Divider	105
C1314.		C4321. Riser Frame End Cover	106
C1315. Wire Chase Rail Cover	68	C4322. Power Strip	107
C1316.		C4323. Marker Board	108
C1317.		C4324. Flat Panel Mount	109
C1318.		C4326. Reagent Shelf	93
C1321. Wire Chase Rail, 90° Inside Corner	64	C4327.	
C1322.		C4700. Work Table Surface, Rectangular	101
C1326. Wire Chase Rail Bridge	66	C4900. Work Table Reagent Shelf	104
C1327.		C5009. Interior Filler	116
C1331. Wire Chase Rail End Cap	67	C5010. Storage Unit	113
C1332.		C5014. Storage Unit with Sliding Doors	125
C1358. Wire Chase Overlay	69	C5015. Storage Unit Shelf	114
C1412. Access Panel Assembly	54	C5016. Storage Unit Door	115
C1422. Combination Access Panel Assembly	56	C5017.	
C1432. Low Cup Sink Access Panel Assembly	58	C5020. Shelf Unit	126
C1451. End Closure Assembly	60	C5021.	

Index by Product Number *continued*

Index: Product Number

C5022. Shelf Unit, Diagonal Corner	128	C0290 Locker Hinged Door	157
C5024. Shelf Unit, 90° Corner	129	C0338 End Cap for Standard or Seismic Rail	10
C5025. Add-On Shelf, Shelf Unit	130	C0342 TR3 Cart	205
C5026. Shelf Unit Back Panel	132	C0365 Dispensing Rail	189
C5027. Shelf Unit Door	134	C0366	
C5028.		C0367	
C5032. Shelf Unit Double Doors	135	C0368	
C5036. Shelf Unit Wall Attachment Panel	137	C0369 Subcontainer	191
C5040. Storage Case	118	C0370 Drawer with Lockable Lid	177
C5041. Storage Case Shelf	119	C0371 Locked Drawer with Lockable Lid	180
C5042. Storage Case Pullout Shelf	120	C0372 Drawer with Lockable Lid	177
C5043. Storage Case Drawer	121	C0373 Locked Drawer with Lockable Lid	180
C5044.		C0374 Drawer with Lockable Lid	177
C5045. Storage Case Bottle Drawer	122	C0375 Locked Drawer with Lockable Lid	180
C5048. Lockable Drawer Bearer	117	C0376 Subcontainer Handle	196
C5050. Storage Case Leg	124	C0377	
C5051. Light Bracket	133	C0378 Subcontainer Divider	195
C5052. Storage Case Door	123	C0379	
C5053.		C0380	
CO201 C Lid	166	C0381 Subcontainer Label Flag	198
CO203 C Tray/Shelf	167	C0382	
CO204 CS Tray/Shelf	163	C0396 Lockable Drawer Bearer	186
CO205 C Frame	164	C0397. Sloped Shelf Unit Top	136
CO207 Drawer	174	C0398 Shelf Label Clip	131, 143
CO208		CO459 Subcontainer Handle Label	197
CO209		CO462 Label Clip	187
CO212 L Cart	206	CO469. Pullout Catheter Rack	199
CO215. Draw Rod, Seismic	12	CO479 Wall Rail, Seismic	11
CO219 Locker Tambour Door	156	CO481 Floor Anchor Bracket, Action Office® Series 1	14
CO228 Drawer Bearer Package	185	CO485 Floor Anchor Bracket, Action Office® Series 2	15
CO231 Subcontainer	191	CO487. Wall Strip Cover	19
CO232		CO508. Clear Lid	184
CO233		CO521. B-Style Rail-Hanging Shelf	138
CO234		CO540 A-Size Drawer Organizer Kit	193
CO235		CO541	
CO236		CO542	
CO238		CO543	
CO240		CO544	
CO242 Subdivider Vane	168	CO545	
CO252 C Wire Shelf	169	CO546 B-Size Drawer Organizer Kit	194
CO266 Gripper Package	170	CO547	
CO274 Label Clip	187	CO552 Floor Anchor Adapter Kit	17
CO277 Locker Lock Kit	159	CO553 Panel Stiffener, Action Office® Series 1 or Series 2 Top	
CO279 Locker Lock Kit, Keyless	161	Cap	18
CO282 Standard Rail	5	CO555 Counter Top	165
CO284 Rail Hardware	6	CO556	
CO285		CO561 Locker, with Tambour Door	144

Index by Product Number *continued*



C0562 Locker	148
C0563 Locker on Wheel Base	155
C0564 Locker on Wheel Base, with Tambour Door	149
C0565 Cassette Assembly	188
C0568 Floor Anchor Bracket, Co/Struc® Lab Module	13
C0570 Locker, with Hinged Door	146
C0574 Locker on Wheel Base, with Hinged Door	152
C0600 Laptop Cart	200
C0601 Flat Panel Cart	201
C0602 Coiled Power Cord	202
C0605 Utility Basket	203
C0608 Cable Manager	204
C0692 Drawer Caddy with Casters	171
C0693	



20-Day or Less/Assigned Lead-Time Order Information — Healthcare

20-Day or Less/Assigned Lead-Time Programs

20-day or less and assigned lead-time products are designed for established Herman Miller dealers with pre-approved credit.

Products are distributed from multiple manufacturing facilities across the United States. All products and options not designated by an Assigned Lead-Time icon  will ship in 20 business days or less after being acknowledged by Herman Miller. Products and options designated by an  are on the assigned lead-time program and will ship in 20 days, less than 20 days, or more than 20 days from order acknowledgement.

Ordering Procedure

Please place orders through Order Manager. If this is not available to you, place orders through mail or fax. Verbal purchase orders will not be accepted.

Order Entry fax number: (616) 654 3085.

For more information, contact your Customer Care representative at: (866) 854 3048 ext 3400

Shipments and Delivery

Per Herman Miller Terms and Conditions.

Changes and Cancellation

Per Herman Miller Terms and Conditions.



Packaging/Keyed-Alike Information — Co/Struc® System

Packaging

Packaging varies according to individual product. A surcharge may be added for special packaging requests. Contact Customer Care for specific information.

Keyed-Alike Locks

All components with locks may be specified keyed alike.

Keyed-alike Co/Struc components with a “CO” or “CV” prefix will be shipped with lock plugs installed. Mobile Technology Support products (CO600, CO601, and CO606) cannot be ordered keyed alike.

Keyed-alike Co/Struc components with a “C” prefix will be shipped with lock chassis installed. Lock plugs will be shipped separately, tagged for product and location as specified. Installation of lock plugs will be on-site according to instructions provided. Herman Miller, Inc., will not be responsible for lock plug installation.

To order keyed-alike locks for “C” prefix components, specify keyed alike. Then place a separate order for plugs and locks:

1. List plug part number and key number (232092-XXX); select a key number (or numbers) between 226 and 324.
2. List quantity of locks per key number.
3. Indicate this is a no charge order.

Keyed-alike locks are field installed.

A Medeco master key can be used to open any lock on Co/Struc components with a “CO” or “CV” prefix, except on Mobile Technology Support products CO600, CO601, and CO606. Customers interested in ordering master keys should contact Customer Care with a written request. To remove lock plugs from existing components, loosen the hex nut inside the product and remove the plug. These locks are available in key numbers 01 through 99. To remove lock plugs from locker with electronic lock, remove the cover from the e-lock mounting plate (be careful not to separate battery wires from unit). Next, loosen the hex nut inside the cover and remove the plug.

A Hudson master key can be used to open any lock on Co/Struc components with a “C” prefix. To remove lock plugs from existing components, a removal key or lock change tool is required. Customers interested in ordering master keys, removal keys, or lock change tools should contact Customer Care with a written request. Locks for “C” prefix components are available in key numbers 226 through 324 but are ordered as key numbers 01 through 99. Use the following chart to cross-reference the number selection.

“C” lock order numbers	Actual “C” lock plug numbers	“C” lock order numbers	Actual “C” lock plug numbers
1	226	51	276
2	227	52	277
3	228	53	278
4	229	54	279
5	230	55	280
6	231	56	281
7	232	57	282
8	233	58	283
9	234	59	284
10	235	60	285
11	236	61	286
12	237	62	287
13	238	63	288
14	239	64	289
15	240	65	290
16	241	66	291
17	242	67	292
18	243	68	293
19	244	69	294
20	245	70	295
21	246	71	296
22	247	72	297
23	248	73	298
24	249	74	299
25	250	75	300
26	251	76	301
27	252	77	302
28	253	78	303
29	254	79	304
30	255	80	305
31	256	81	306
32	257	82	307
33	258	83	308
34	259	84	309
35	260	85	310
36	261	86	311
37	262	87	312
38	263	88	313
39	264	89	314
40	265	90	315
41	266	91	316
42	267	92	317
43	268	93	318
44	269	94	319
45	270	95	320
46	271	96	321
47	272	97	322
48	273	98	323
49	274	99	324
50	275		

For more information about our products and services or to see a list of dealers, please visit us at HermanMiller.com or call (800) 851 1196.

© 2022 Herman Miller, Inc., Zeeland, Michigan

Distribution Rights

Working together since 1956, Herman Miller and Vitra are the authentic sources of designs by Charles and Ray Eames, Alexander Girard, and George Nelson. All the designs shown in this book are protected by law. Herman Miller has obtained all rights to make and sell these designs. Also, Herman Miller holds exclusive worldwide manufacturing and distribution rights for these products with the following exceptions:

Charles and Ray Eames, George Nelson, and Alexander Girard—Worldwide distribution rights for furniture in all areas except Europe and the Middle East. For those areas, please contact Vitra.

Isamu Noguchi—Worldwide distribution rights for the Noguchi Rudder Table. Distribution rights for the Noguchi Table in North America and Central America only. For all other areas, please contact Vitra.

Magis—Exclusive distribution rights in the US and Canada. For all other areas, please contact Magis.

© HermanMiller, 3D Intelligent, AO, Action Office, Aeron, ArcSpan, Aside, Avall, Bubble Lamps, Canvas Office Landscape, Caper, Celle, Cosm, Co/Struc, Daisyone, Distil, Eames, Eco-Dematerialized, Embody, Envelop, Ethospace, Exclave, Fine-Tune, FlexFront, Flo, Formcoat, Formwork, Ground Cloth, Herman Miller for the Home, Herman Miller for Healthcare, Intersect, Kinemat, Layout Studio, Lifework, Limerick, Lino, Live Unframed, Living Office, Maharam, Meridian, Mirra, Motia, Nelson, Pellicle, Perspectives, Plex, PostureFit, PostureFit SL, Prospects, Public Office Landscape, Resolve, Rodney, Sayl, Setu, Tu, Ubi, Verus, Wishbone, and Y-Tower are among the registered trademarks of Herman Miller, Inc., and its owned subsidiaries.

8Z Pellicle, About Face, AireWeave, Albert, Ambit, Backfit, Bublestuck, Burdick Group, Butterfly Back, Cellular Suspension, Clam, Commend, Compass, Connect, DOT, Duracare, Durawrap, EnhancedAccess, Everywhere, Flex-Edge, Flute, Harmonic, Headway, Herman Miller Select, Hopsak 2, Intent, Iota, Jaw, Keyless Entry, Keyn Chair Group by Herman Miller, Latitude, Locale, Logic Mini, Logic Power Access Solutions, Live Platform, Loop, Lyris, Lyris 2, Made-to-Measure Storage, Mora, Multiscrim, Nevi, OE1 Workspace Collection, Overlay, Pari, Pixelated Support, Pronta Stacking Chairs by Herman Miller, Prospect, Renew, Sense, Soft Pad, Stackable, Stackable Storage, Striad, Swoop, Thrive, Tone, TriFlex, Twist, Vista, Wireframe, and Zeph are among the trademarks of Herman Miller, Inc., and its owned subsidiaries.

SM Herman Miller Options is among the service marks of Herman Miller, Inc.

AAP™ is a trademark of Extron Electronics.

Alexander Girard® is a registered trademark of The Alexander Girard Estate.

Chemisurf® is a registered trademark of Wilsonart International.

Corian® is a registered trademark of E. I. du Pont de Nemours and Company Corporation.

Crypton® is a registered trademark of Crypton, Inc.

DACRON® is a registered trademark of INVISTA S.a.r.l.

Danzer® is a registered trademark of Danzer Holding AG.

Decora® is a registered trademark of Leviton Manufacturing Co., Inc.

Edelman® Leather is a registered trademark of Edelman Leather, Inc.

Extron® is a registered trademark of RGB Systems, Inc.

FENIX NTM® is a registered trademark of Arpa Industriale S.p.A.

FLEXNET™ is a trademark of Milliken & Company.

Floor Saver Glide® is a registered trademark of Carpin Manufacturing, Inc.

Forest Stewardship Council® is a registered trademark of the Forest Stewardship Council A.C. (FSC). We are FSC® certified (FSC® C102895).

FSC® is a registered trademark of the Forest Stewardship Council A.C. (FSC).

Geiger® is a registered trademark, and Bumper™, Saiba™, and Ward Bennett™ are trademarks, of Geiger International.

Hang-It-All® is a registered trademark of Lucia Eames Demetrios, d.b.a. Eames Office.

Holophane® is a registered trademark of Holophane.

Ingeo™ is a trademark of Cargill Dow LLC.

iPad® and Mac mini® are registered trademarks of Apple Inc.

Leviton® is a registered trademark of Leviton Manufacturing Co., Inc.

LifeSize® is a registered trademark of LifeSize Communications, Inc.

Logitech G® is a registered trademark of Logitech International S.A.

Magis®, Bombo®, and Me Too® are registered trademarks of Magis S.p.A.

MicrobeCare™ is a trademark of Parasol Medical LLC.

Microsoft® and Natural® Keyboard are registered trademarks of Microsoft Corporation.

Noguchi® and the Noguchi table configuration (trade dress) are registered trademarks, and Rudder Table™ is a trademark, of The Isamu Noguchi Foundation and Garden Museum.

Place Textiles® is a registered trademark of Place Textiles.

Sunbrella® is a registered trademark of Glen Raven, Inc.

SuperSeat™ is a trademark of Dahti Seating, a division of ITW.

Valor™ and Whisk™ are among the trademarks owned by Nemschoff, Inc.