

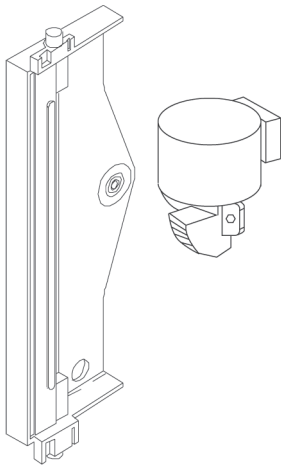
Printers / Keyboards

TABLE OF CONTENTS

TICKET PRINTERS	232
<i>Replacement Print Heads</i>	
BAR CODE LABEL PRINTERS	233
<i>Replacement Print Heads</i>	
TAPE AND TICKET PRINTER IMPACT RIBBONS	234
HONEYWELL	235
<i>Label Printers</i>	
HONEYWELL I-4206/I-4208/I-4308/I-4212/I-4212E	236
<i>Label Printers</i>	
EPSON®	237
OKIDATA	239
TICKETPRESS®	240
<i>Ticket Printer</i>	
RICE LAKE SP2200 TICKET PRINTER	242
<i>Base Assembly</i>	
RICE LAKE SP2200 TICKET PRINTER	244
<i>Mechanism Assembly</i>	
RICE LAKE SP2200 TICKET PRINTER	245
<i>Idler, Clutch, Sensor Assembly</i>	
RICE LAKE SP2200 TICKET PRINTER	246
<i>Paper Drive Assembly</i>	
RICE LAKE SP2200 TICKET PRINTER	247
<i>Print Head Assembly</i>	
RICE LAKE SP2200 TICKET PRINTER	248
<i>Switch Assembly</i>	
RICE LAKE	249
RICE LAKE SURVIVOR SST3®	251
STAR®	253
ZEBRA®	255

Ticket Printers

Replacement Print Heads



Part Number/Price

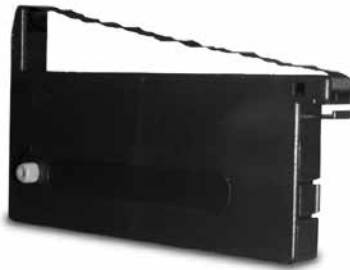
Part#	Description	Price
Epson®		
29535	TM290, TM-295	\$300.00
68726	TMU590 print mechanism	\$845.00
116659	TM-U590 printhead	\$300.00
118730	TM-U220 printhead	\$125.00
Rice Lake		
35347	SP2200	\$300.00
20301	SP2000 (limited stock)	\$303.00
130510	Ticketpress	\$335.00
Star®		
72513	SP298	\$125.00

PRINTERS/KEYBOARDS
Bar Code Label Printers
 Replacement Print Heads

Part Number/Price

Part#	Description	Price
Honeywell		
72473	E-4203 Ex2, E-4205 (203 dpi)	\$200.00
112517	E-4205e (203 dpi)	\$125.00
53939	I-Class (203 dpi)	\$450.00
131153	I-Class I-4212e Mark II (203 dpi)	\$450.00
66748	I-4308 (300 dpi)	\$550.00
103369	M-Class M-4210 (203 dpi)	\$495.00
82859	W-Class, 6 in (203 dpi)	\$695.00
67552	W-6208 (203 dpi) prior to Dec. 1999	\$695.00
67551	W-6308 (300 dpi)	\$995.00
96957	H-4212, (203 dpi)	\$450.00
96958	H-4310 (300 dpi)	\$695.00
103368	M-Class M-4206 (203 dpi)	\$495.00
Rice Lake		
107532	2 in printhead, RL-22DT	\$110.00
107531	4 in printhead, RL-42DT/TT	\$310.00
Star Consult Factory		
Zebra (Eltron)		
53034	LP2722/2622	\$325.00
78998	LP-2824, LP-2824 plus	\$165.00
78999	LP-2844	\$195.00
79000	TLP-2844	\$210.00
95375	S4M, 203061	\$695.00
111091	GK-420D (direct thermal)	\$200.00
161470	Printhead GK GX420T (203 dpi)	\$295.00
Godex		
150740	DT2	\$96.00
150743	DT4	\$195.00
150746	G500	\$195.00

Tape and Ticket Printer Impact Ribbons



Don't see a ribbon or paper roll you need? Send us the manufacturer name and model of the printer and we will quickly email you a quotation.

Part Number/Price

Part#	Description	Price
Rice Lake		
20308	Black ink cartridge, SP2200 and SP2000	\$24.00
128031	Ink cartridge, Ticketpress	\$21.00
IDS-150A & IDS-152, Control logic 1200 CLC250		
20440	Purple ink ribbon	\$10.00
IDS-160, Control Logic 260		
20447	Purple ink ribbon	\$10.00
Epson® TM-U295		
29584	Purple ink cartridge	\$12.00
29583	Black ink cartridge	\$12.00
Epson® TM-U200, TM-U220 and TM-300		
31296	Purple ink cartridge	\$12.00
66499	Red/black ink cartridge	\$12.00
Epson® TM-U590		
68525	Purple ink cartridge	\$12.00
104145	Black ink cartridge	\$12.00
Exttech 2000i		
87387	Purple ink cartridge	\$8.00
Citizen CBM-750		
41902	Red/black ribbon cartridge	\$10.00
Star		
69921	SP298, SP2320, SP2520, SP200, SP512, SP542 purple	\$12.00
20447	DP8340 purple	\$10.00
69920	SP300 Series purple	\$13.00
103728	SP712, 742 black	\$12.00
Hecon 543/DH4000/Toledo 8806A		
20447	Hecon 543 purple	\$10.00
20428	DH4000/Toledo 8806A purple (no guide)	\$20.00
Okidata Model 184 and 186		
20664	Black cartridge	\$8.00
Okidata Model 420		
132249	Ribbon black	\$8.00

Part Number/Price

Part#	Description	Synonym	Price
E-4203			
72473	Print head	PHD20-2192-01	\$200.00
64802	Power supply auto-ranging 120-240V	DP050-20501-01	\$95.00
64792	Present sensor	OPT78-2313-01	\$165.00
E-4205e Mark II			
112517	Printhead	PHD20-2267-01	\$125.00
M-Class			
34911	E-ring 3/8 truarc 5133-37	10-0563-01	\$3.75
53923	Post, idler	DP012-2905-01	\$9.00
53929	Clutch assembly, ribbon rewind	15-2776-01	\$62.00
159616	Copy description under Mark II	DPR78-2764-01	\$30.50
53936	Gear, spur, delrin, 24 teeth (same as below)	17-2860-01	\$9.00
53934	Bearing, flanged, 375IDx, 0750D (see below)	17-3028-01	\$40.00
103369	Printhead, 203 dpi, M-4210 only	DP020-2260-01	\$495.00
103368	M-4206		\$495.00
85201	Media sensor assembly		\$70.00
53948	Cable, flex, media sensor	DP032-2440-01	\$20.00
M-Class Mark II			
53923	Post, idler	DP012-2905-01	\$9.00
53929	Clutch assembly, ribbon rewind	DP015-2776-21	\$62.00
159616	Gear, spur delrin, 48T (10 pk) kit	DPR78-2764-01	\$30.50
53934	Bearing, flanged .375 ID x .875 OD	DP017-3028-01	\$40.00
103369	Printhead, M-4206/M-4210	DP020-2260-01	\$495.00
53948	Cable, flex media sensor	DP032-2440-01	\$20.00
104972	Power supply	DP051-2357-00	\$450.00
104973	Front panel	DP051-2358-00	\$67.00
104974	Front panel LED	DP078-2719-01	\$47.00
104975	Main board, M-4206, 4 MB	DP078-2720-01	\$470.00
104977	Graphics display M-4206, M-4210	DP078-2721-01	\$100.00
104976	Main board, M-4210, M-4308	DP078-2722-01	\$685.00
109431	Hub media 3 in/1.5 in	DP078-2717-01	\$51.00
109432	Stepper media	DP078-2765-01	\$105.00
107162	Platen assembly	DP015-2847-01	\$80.00
53936	Gear spur delrin 24 teeth	DP017-2860-01	\$9.00
H-Class			
96957	H-4212 Printhead 203 dpi		\$450.00
96958	H-4310 Printhead 300 dpi		\$695.00
W-Class			
67552	W-6208 Printhead 203 dpi		\$695.00
67551	W-6308 Printhead 300 dpi		\$995.00
82859	W-Class 6 in wide 203 dpi		\$695.00
Data MF2te			
117438	US Plug		\$55.00
117440	Swivel Mount		\$45.00
117441	Cord Right Angle 6 ft		\$110.00
117442	Cable Serial Coiled		\$45.00
117443	Battery		\$105.00
118455	Cable fuse box		\$140.00
118456	Cable USB		\$39.00



E-4203



E-4205e Mark II



M-Class



M-Class Mark II



Printers/Keyboards

HONEYWELL I-4206/I-4208/I-4308/I-4212/I-4212E

Label Printers



Part Number/Price

Part#	Description	Synonym	Price
53930	1.5 in Media hub assembly (I-4308 and I-4212)	15-2799-01	\$138.00
53934	Bearing, flanged, .375 ID x .875 OD	17-2310-01	\$40.00
53951	Cable assembly, standard cutter	32-2462-01	\$100.00
53945	Cable assembly, ph data	32-2417-01	\$20.00
53944	Cable assembly, ph power	32-2416-01	\$20.00
72176	Cable, flex, front panel, long cable	32-2439-01	\$40.00
53948	Cable, flex, media sensor	32-2440-01	\$20.00
53949	Cable, p/s power	32-2458-01	\$35.00
53933	Cap-cam	16-2549-01	\$10.00
53931	Clutch assembly, media	15-2802-01	\$65.00
53929	Clutch assembly, ribbon	15-2776-21	\$62.00
67797	Cover, ribbon spool	12-2943-21	\$22.00
97367	Block, platen mounting	DP012-2894-01	\$48.85
34911	E-ring, 3/8 in truarac 5133-37	10-0563-01	\$3.75
53935	Gear spur delrin, 24 pitch, 48 teeth kit	DPR78-2772-01	\$15.50
53936	Gear spur delrin, 24 teeth	17-2860-01	\$9.00
53952	LCD module, char. 2 x 20 (control panel)	45-2013-01	179.00
53955	Main board (I-4212)	78-2776-01 51-2301-05	\$520.00
131179	Main board (I-4212e) Mark II	DPR51-2480-00	\$520.00
80756	Main board (I-4208) (SST-2)	78-2774-01 51-2278-02	\$520.00
53940	Media sensor assembly	24-2504-01	\$75.00
78291	Peel mechanism	DPT78-2444-01	\$225.00
53924	Platen roller assembly	15-2761-01	\$56.00
53923	Post idler	12-2905-01	\$9.00
53956	Power supply, CCA (I-4206/4208, I-4308, I-4212)	51-2300-00	\$500.00
161930	Print head, 203 dpi I-4206 (old style)		\$450.00
53939	Print head, 203 dpi, dual connector (I-4206/4208, I-4212)	20-2181-01	\$450.00
66748	Print head, 300 dpi, dual connector (I-4308)	20-2182-01	\$550.00
131153	Print head, 203 dpi I-4212e Mark II	PDD20-2278-01	\$450.00
67797	Cover, ribbon spool	12-2943-01	\$22.00
53954	RS-485/RS-422, IC transceiver, 14 pin dpi	43-4305-01	\$125.00
53938	Spring, torsion (I-4308, I-4212)	17-2895-01	\$3.00
53941	Stepper motor assembly	DP078-2773-01 24-2505-01	\$132.00
53927	Supply assembly, ribbon	15-2768-01	\$58.00
53925	Take-up hub assembly	15-2764-01	\$56.00
53937	Timing belt	17-2879-01	\$20.00
80756	Main PCB I-4208	DP078-2774-01 DP051-2278-02	\$520.00
85508	Brass drive roller gear, 14-tooth	12-3356-01	\$21.00
85510	Peel drive gear-platen	16-2890-01	\$1.25
112320	Media hub, 3 in adapter	DP016-2627-01	\$27.00
53920	3 in/1.5 in media supply hub	DPR78-2330-01	\$60.00
53942	Present sensor	24-2518-01	\$89.00
131179	Motherboard, I-4212e		\$520.00
131153	Printhead I-4212e (203 dpi)		\$450.00

Part Number/Price

Part#	Description	Price
TM-295/TM-U295/TM-29011 Ticket Printer		
29535	Print head TM-295, TM-290 II	\$300.00
23112	Power supply	\$110.00
29537	Sensor, TOF assembly	\$13.00
29538	Sensor, O assembly	\$13.00
35860	Motor assembly, paper drive	\$160.00
35861	Board, switch assembly	\$58.00
35862	CPU board, TM-295	\$630.00
45673	Fuse, 2 amp, 125V (ceramic)	\$6.00
162936	Keyboard overlay TM-U295	\$18.00
29584	Ribbon cartridge, purple	\$12.00
29583	Ribbon cartridge, black	\$12.00
34344	Operating manual, TM-295	\$20.00
TM-U220 Tape Printer		
23112	Power supply	\$110.00
36032	Mechanism assembly	\$405.00
36027	Interface, RS-232	\$100.00
31296	Ribbon cartridge, purple	\$12.00
66499	Ribbon cartridge, red/black	\$12.00
69916	Paper roll, 3 in x 150 ft, 1-ply, bond 1/2 in core 3 in O.D.	\$5.00
35667	Operating manual	\$16.00
118730	Printhead	\$125.00
118731	Overlay switch panel	\$11.50
118732	Switch paddle rocker	\$12.75
TM-U590 Ticket Printer		
68726	Print mechanism assembly	\$845.00
68525	Purple ink cartridge	\$12.00
104145	Black ink cartridge	\$12.00
23112	Power supply	\$110.00
45673	F2 2 amp pica fuse	\$6.00
36027	Interface card RS-232	\$100.00
116659	Printhead	\$300.00
118735	Circuit board	\$51.00
118734	Power switch	\$21.00
118736	Hinged rear ribbon cover	\$35.00
118733	Keypad overlay	\$16.00
165456	Spring slider	\$5.00



TM-295



TM-U220



TM-U590

GoDex

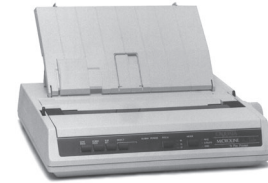


Part Number/Price

Part#	Description	Price
DT2		
150740	Printhead	\$96.00
DT4		
150743	Printhead	\$195.00
162657	Platen Cover Right	\$5.00
162658	Platen Cover Left	\$5.00
G500		
150746	Printhead	\$195.00

Part Number/Price

Part#	Description	Price
184 & 186 Microline Printer		
34281	RS-232 board, input	\$157.00
20664	Ribbon cartridge, black	\$8.00
21208	Scale veil	\$65.00
320 & 420 Microline Printer		
20664	Replacement ribbon, black	\$8.00
22692	Gear ribbon drive assembly, 320	\$60.00
22703	Gear idler in feed, 51219001, 320	\$15.00
320/321/390/420 RS-232 Boards		
121454	RS-232, Rev. IO and higher	\$170.00
20239	RS-232, Rev. HO and lower	\$170.00



184 & 186



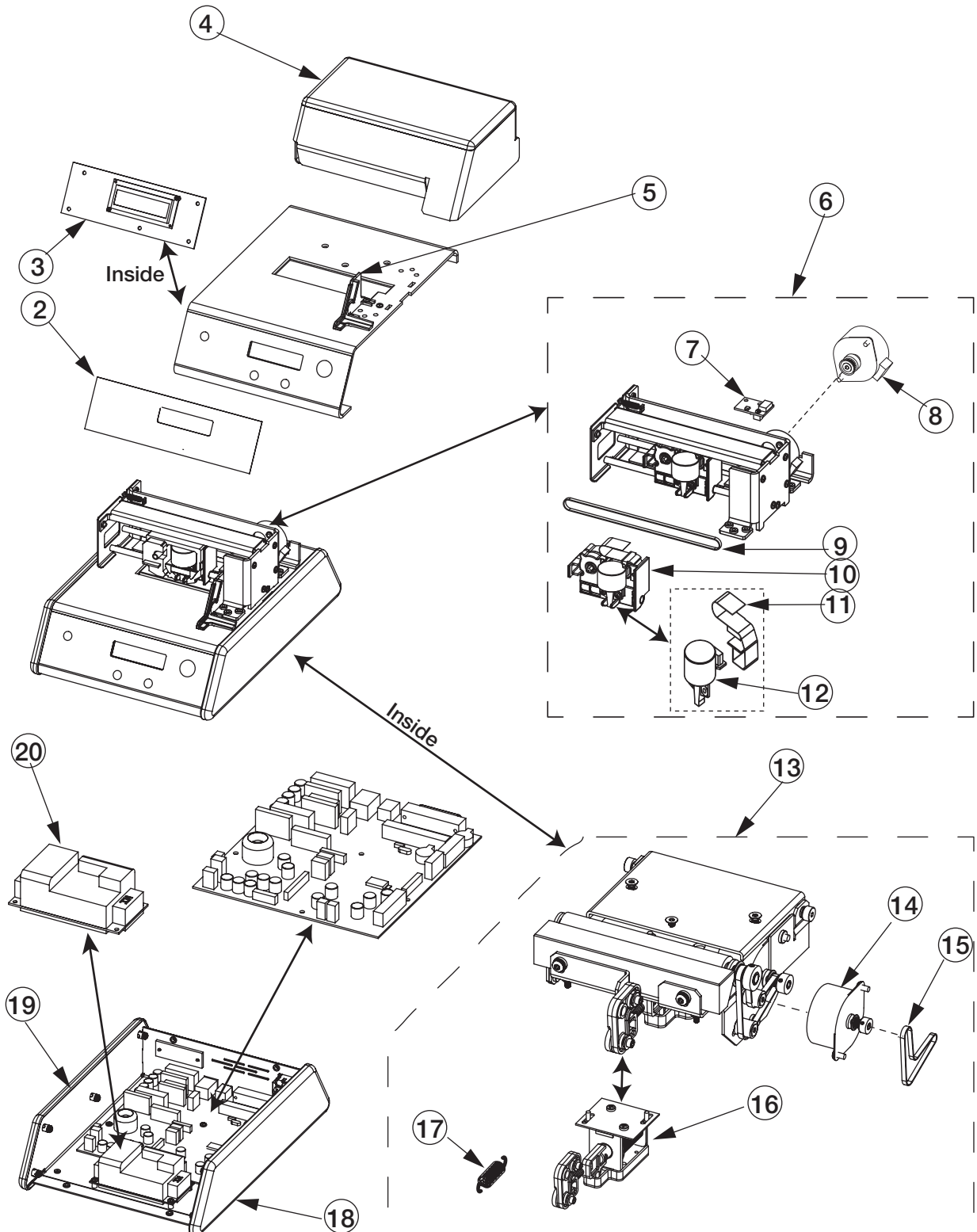
320 & 420

TicketPress®
Ticket Printer



Part Number/Price

Ref #	Part#	Description	Price
Accessories			
	128030	RS-422 interface, TicketPress	\$105.00
	128031	Ribbon, TicketPress, black	\$21.00
Major Components			
2	130514	Overlay, control panel, TP	\$63.00
5	130518	Paper guide, TP	\$27.00
8	130509	Carriage motor, TP	\$115.00
9	130516	Belt, carriage drive, TP	\$21.00
11	130515	Cable, printhead, TP	\$47.00
12	130510	Printhead, TP	\$335.00
14	130506	Paper motor, TP	\$115.00
15	130513	Belt, paper drive, TP	\$23.00
16	130508	Paper drive solenoid, TP	\$135.00
17	130517	Spring extension, TP	\$32.00
18	130511	End cap right, TP	\$37.00
19	130512	End cap left, TP	\$37.00
20	130507	Power supply 24V, TP	\$160.00
	130519	1.6A fuse slow 250 VAC, TP	\$5.50
	130520	Battery, main board memory backup, TP	\$15.00
<i>Major Assemblies - Some of these are offered for repair convenience, and embody one or more high value components from Service Component list</i>			
3	130527	Control panel, TP	\$205.00
4	130523	Cowl, TP	\$310.00
6	130521	Print mechanism, TP	\$798.00
7	130526	Home paper sensor, TP	\$70.00
10	130522	Carriage assembly, TP	\$315.00
13	130524	Paper drive assembly, TP	\$630.00



Printers/Keyboards

Rice Lake SP2200 Ticket Printer

Base Assembly



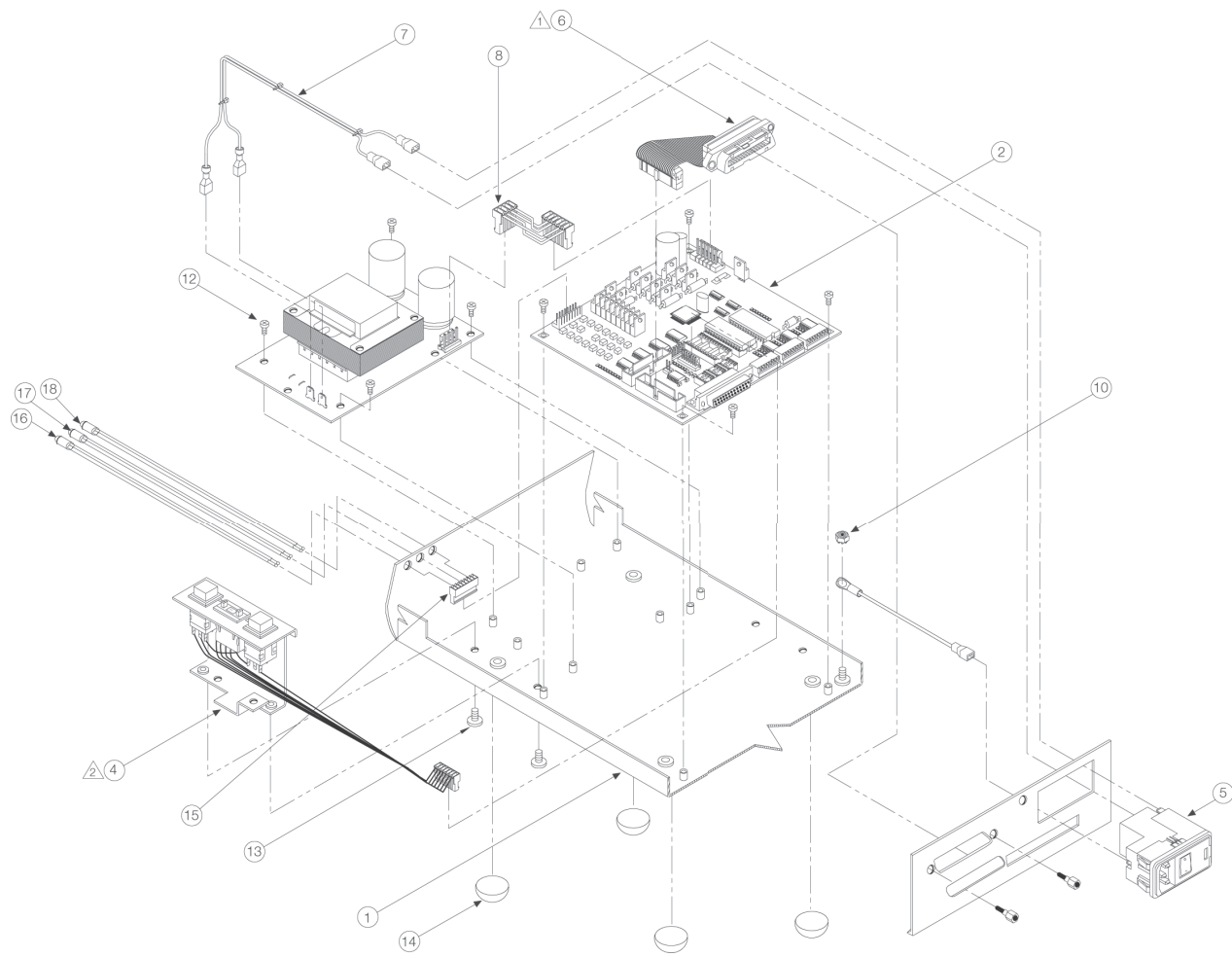
Part Number/Price

Ref#	Part#	Description	Price
	40890	Filter assembly, line	\$28.00
1	35339	Enclosure, base (limited stock)	\$65.00
2	35361	Board, CPU assembly main	\$575.00
Components of Part #35361			
	16347	IC, 20 mA transmitter, HCPL-4100, 8-pin, U5 (option)	\$37.00
	16348	IC, 20 mA receiver, HCPL-4200, 8-pin, U6 (option)	\$37.00
	16210	IC, S-ram, time and date, U9 (option)	\$75.00
	23171	EPROM, Rev. 1.2	\$95.00
	36014	Fuse, Fast act 2A subminiature	\$6.00
Components of Part #35362			
	38851	Fuse, Fast act 5A subminiature (PSFI)	\$8.50
4	16100	Mount, switch blank	\$15.00
5	34192	Line filter, RFI 6AMP dual fuse (AC)	\$35.00
Components of Part #34192			
	16451	Fuse, Slo-Blo, 3/4 amp (230 VAC)	\$5.00
	16462	Fuse, Slo-Blo, 1.25A 3AG (115 VAC)	\$4.00
6	23170	Centronics® parallel option	\$130.00
7	34187	Cable assembly, power input to power supply 16AWG	\$15.00
8	34188	Cable assembly, power supply to CPU board jumper	\$15.00
10	14626	Nut, Kep 8-32 NC	\$1.50
12	14831	Screw, MACH 4-40 NC x 5/16	\$1.50
13	14859	Screw, MACH 8-32 NC x 5/16	\$3.00
14	26408	Foot, self-adhesive, 3/4 in diameter	\$1.50
15	15839	Conn, 8-position MAS-CON end	\$3.00
16	34199	LED, panel mount .250 dia. yellow with 6 in leads	\$7.00
17	34197	LED, panel mount .250 dia. red with 6 in leads	\$7.00
18	34198	LED, panel mount .250 dia. green with 6 in leads	\$7.00
	16096	Paper guide	\$16.00

(See Diagram SP2200-A)

Rice Lake SP2200 Ticket Printer

Base Assembly



SP2200-A

Printers/Keyboards

Rice Lake SP2200 Ticket Printer

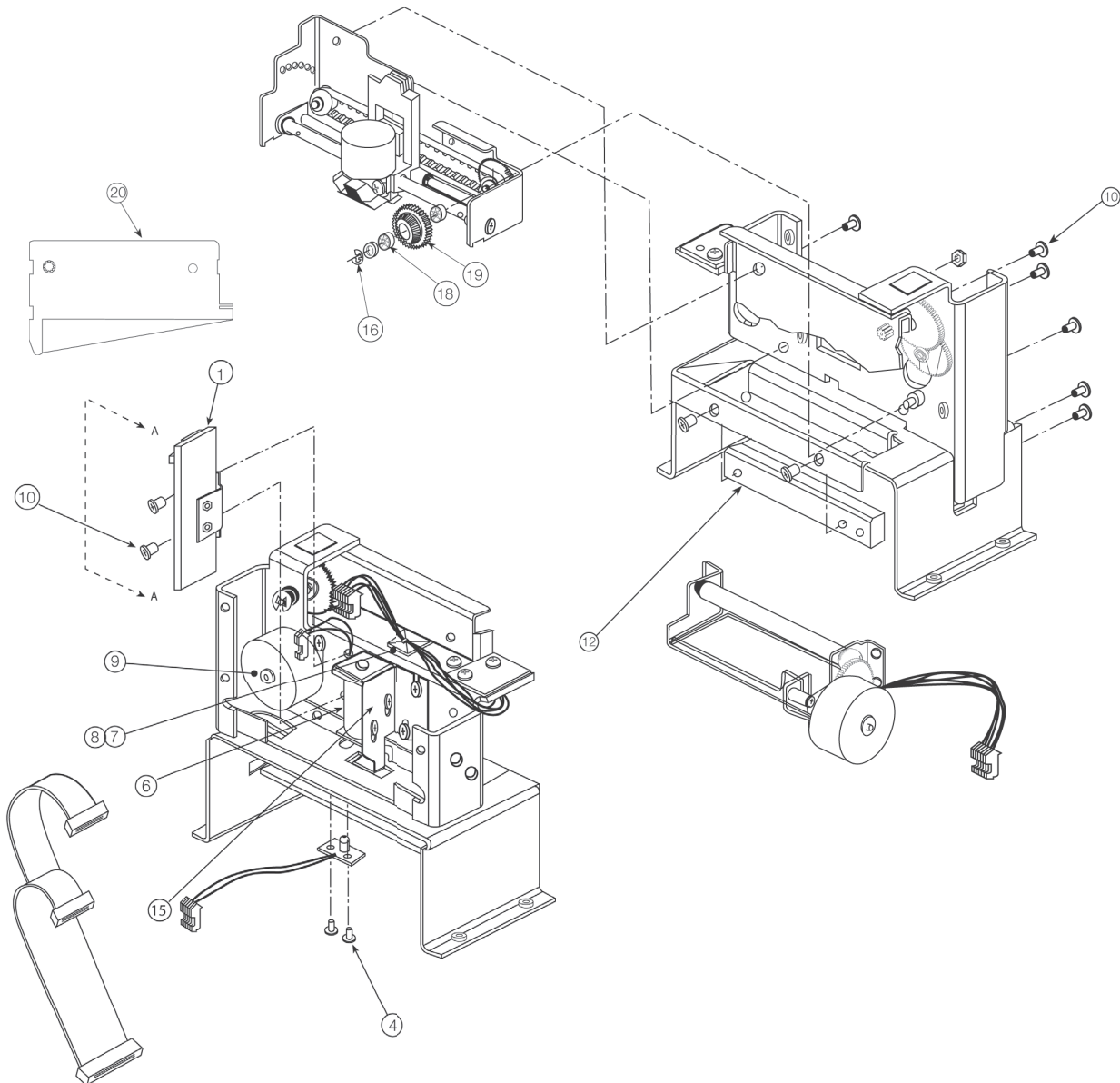
Mechanism Assembly



Part Number/Price

Ref#	Part#	Description	Price
1	34043	Board assembly, head	\$35.00
4	14822	Screw, MACH 4-40 NC x 1/4	\$2.00
6	34176	Linkage assembly, solenoid	\$100.00
7	15650	Mount, cable tie 3/4 in square nylon	\$1.50
8	15631	Cable tie, 3 in nylon	\$1.50
9	34169	Motor assembly, head drive	\$75.00
10	14859	Screw, MACH 8-32 NC x 5/16	\$3.00
12	33116	Platen	\$15.00
15	33113	Solenoid bracket	\$6.00
16	20852	Ring, retaining	\$5.00
18	20281	Bearing, ball	\$28.00
19	33805	Pulley, gear head drive	\$7.00
20	20308	Ribbon cartridge, black	\$24.00

(See Diagram SP2200-B)



SP2200-B

Discontinued

PRINTERS/KEYBOARDS

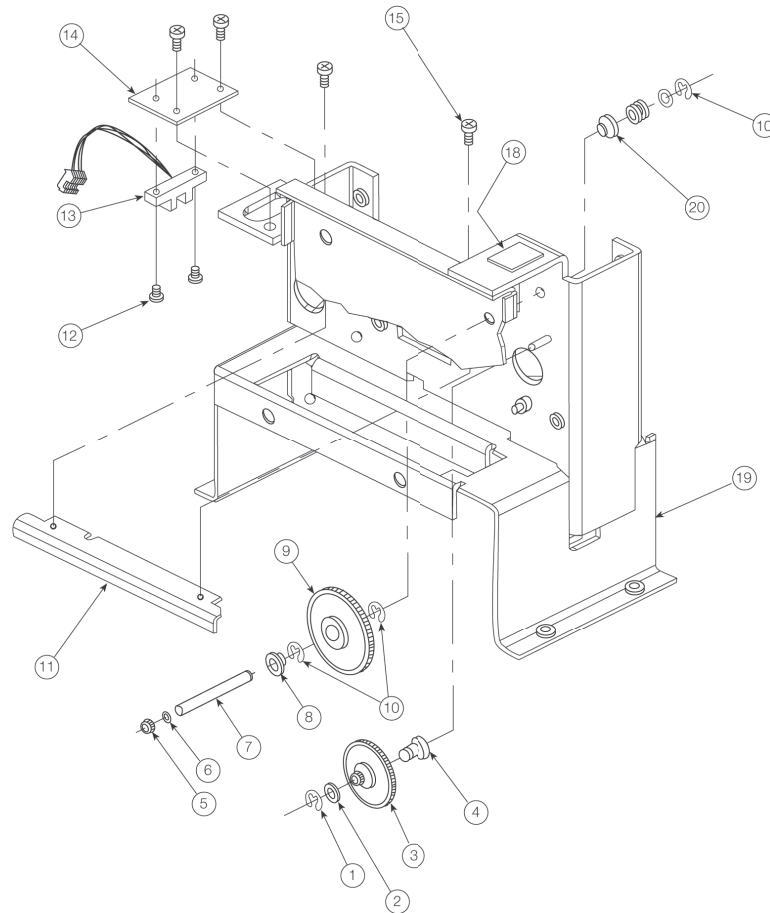
Rice Lake SP2200 Ticket Printer

Idler, Clutch, Sensor Assembly

Part Number/Price

Ref#	Part#	Description	Price
1	20852	Ring, retaining	\$5.00
2	20839	Spacer, retainer	\$2.00
3	33808	Idler gear, ribbon	\$15.00
4	20827	Post, idler-ribbon	\$10.00
5	20685	Gear, ribbon drive	\$7.00
6	20817	Spacer, bearing	\$2.00
7	20669	Shaft, ribbon drive axle	\$12.00
8	20854	Bushing, nyliner	\$3.00
9	34175	Gear assembly, clutch	\$30.00
10	20851	Retaining ring, ribbon drive	\$4.00
11	20825	Guide, carriage track	\$10.00
12	14822	Screw, MACH 4-40NC x 1/4	\$2.00
13	36213	Sensor assembly, carriage	\$15.00
14	20273	Mount, switch	\$9.00
15	14839	Screw, MACH 6-32NC x 1/4	\$2.00
18	20853	Gasket, neoprene 1/8 x 1/2	\$5.00
19	33110	Assembly, mechanism frame	\$150.00
20	34095	Bushing, nyliner	\$2.00

(See Diagram SP2200-C)



SP2200-C

Printers/Keyboards

Rice Lake SP2200 Ticket Printer

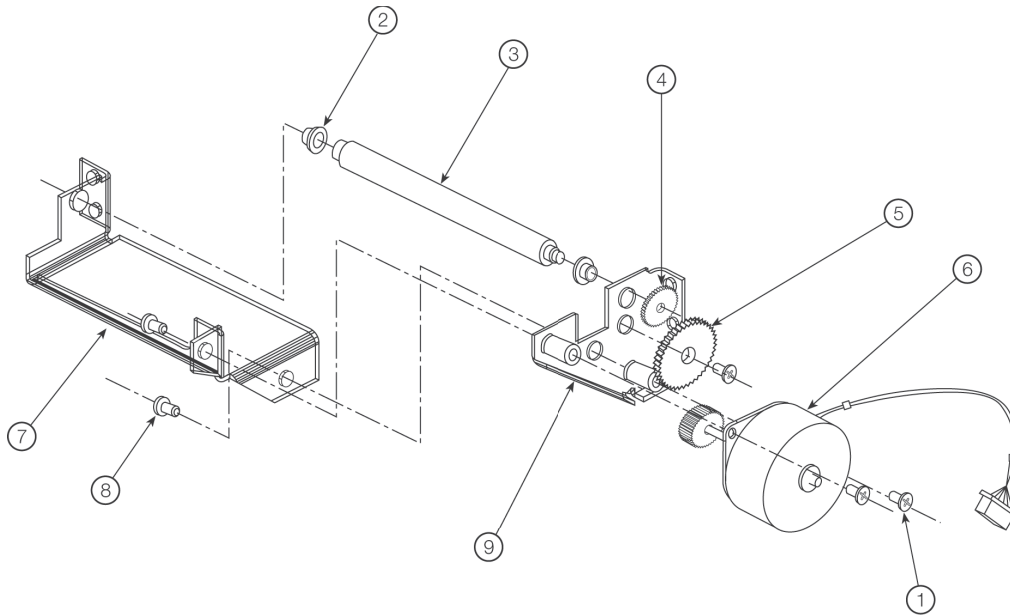
Paper Drive Assembly



Part Number/Price

Ref#	Part#	Description	Price
1	14845	Screw, MACH 6-32 NC x 3/8	\$2.00
2	20285	Bushing, nylon	\$5.00
3	33504	Roller assembly, paper drive rubber	\$20.00
4	20286	Gear, paper drive	\$10.00
5	33806	Gear, paper, idler	\$12.00
6	34168	Motor assembly, paper drive	\$100.00
7	33115	Bracket, roller left side	\$15.00
8	14839	Screw, MACH 6-32 NC x 1/4	\$2.00
9	33114	Bracket, motor mount right side	\$15.00

(See Diagram SP2200-D)



SP2200-D

Discontinued

PRINTERS/KEYBOARDS

Rice Lake SP2200 Ticket Printer

Print Head Assembly

Part Number/Price

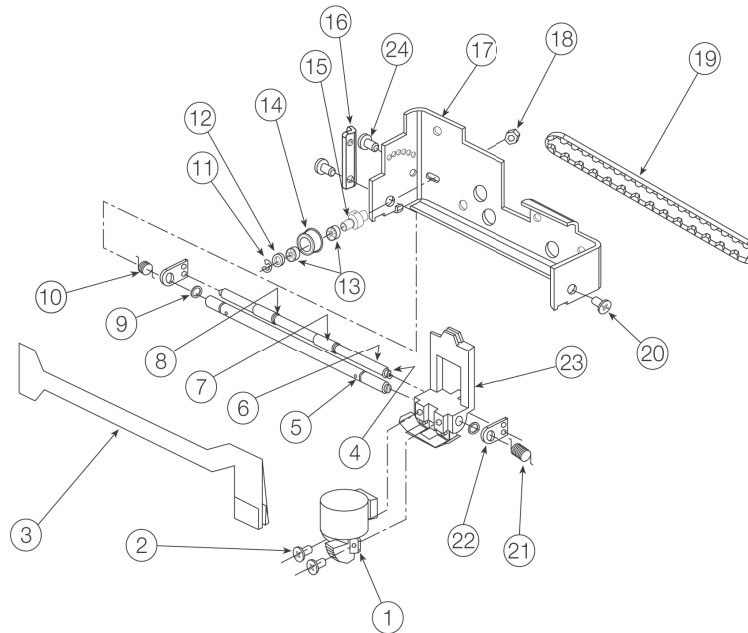
Ref#	Part#	Description	Price
1	35347	Print head, 350-M12 9-pin	\$300.00
2	14822	Screw, MACH 4-40NC x 1/4	\$2.00
3	33850	Cable, print head 2 ft x 6 ft flexible	\$55.00
4	20850	Ring, retaining	\$4.00
5	20828	Shaft, carriage track	\$35.00
6	20829	Shaft-clamp	\$25.00
7	20830	Clamp, roller	\$4.00
8	20292	Ring, retaining	\$4.00
9	20293	Ring, retaining .25 Ext	\$4.00
10	20283	Spring, LH clamp	\$8.00
11	20294	Ring, retaining	\$4.00
12	20295	Spacer	\$3.00
13	20279	Bearing, ball	\$30.00
14	20280	Pulley, idler	\$12.00
15	33501	Post, left belt tensioner	\$15.00
16	20282	Lever, head adjust	\$10.00
17	20822	Bracket, carriage assembly	\$25.00
18	14625	Nut, lock 6-32 NC hex	\$2.00
19	20298	Belt, timing	\$15.00
20	14845	Screw, MACH 6-32 NC x 3/8	\$2.00
21	20284	Spring, RH clamp	\$5.00
22	20831	Clamp, linkage	\$8.00
23	33497	Assembly, print head carriage and ribbon guide	\$90.00
24	14832	Screw, MACH 4-40NC x 3/8	\$8.00



Note: Early production units of the SP2200 use a carriage assembly bracket with a separate head drive gear post for the drive pulley. Use the following part numbers for these units:

20277	Gear post, head drive	\$10.00
-------	-----------------------	---------

(See Diagram SP2200-E)



SP2200-E

Printers/Keyboards

Rice Lake SP2200 Ticket Printer

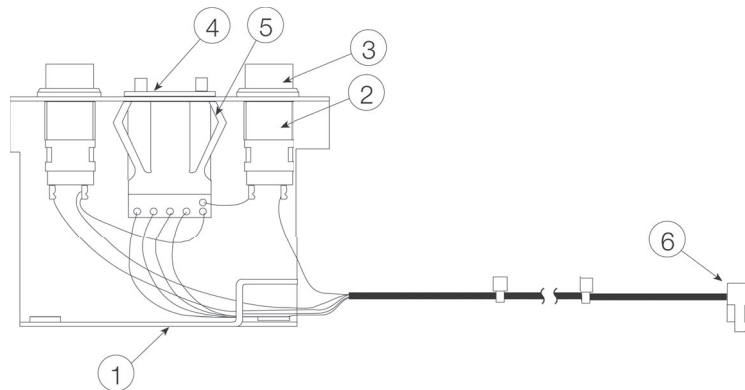
Switch Assembly



Part Number/Price

Ref#	Part#	Description	Price
	35231	Switch module assembly	\$100.00
1	15942	Switch mount bracket	\$30.00
2	15938	Push button switch	\$45.00
3	15939	Switch lens	\$10.00
4	15940	Pushwheel switch	\$50.00
5	15941	Side support plates	\$15.00
6	15707	Connector, 7-position green	\$4.00
	16210	T&D sram chip	\$75.00

(See Diagram SP2200-F)



SP2200-F

Part Number/Price

Part#	Description	Price
RL-22DT		
107532	Printhead	\$110.00
111085	Power supply	\$158.00
115477	Label roller	\$35.00
125456	Left latch hook, arrow faces to right	\$3.00
125457	Right latch hook, arrow faces to left	\$3.00
132897	Platen Cover Right RL-22DT	\$5.00
132896	Platen Cover Left RL-22DT	\$5.00
RL-42DT/RL-42TT		
107531	Printhead	\$310.00
111085	Power supply	\$158.00
115478	Label roller RL-42DT	\$35.00
115479	Label roller RL-42TT	\$18.00
125213	Left latch hook, arrow faces to right	\$3.00
125214	Right latch hook, arrow faces to left	\$3.00



RL-22DT



RL-42DT



RL-42TT

Rice Lake



Part Number/Price

Part#	Description	Price
Guardian™ Enclosure		
99109	Mount plate for LP2844	\$85.00
79527	Mount plate for TLP2844	\$85.00
110508	Mount plate RL-42DT	\$85.00
110509	Mount plate, RL-42TT	\$85.00
SURVIVOR® SST2™ Stainless Steel Thermal Label Printer		
53930	1.5 in media hub assembly	\$138.00
53934	Flanged .375 in ID x .875 in OD bearing	\$40.00
53951	Standard cutter cable assembly	\$100.00
72238	Motor control cable assembly	\$35.00
72190	PH power cable assembly	\$40.00
72176	Front panel flex cable	\$40.00
72177	Media sensor flex cable	\$40.00
53933	Cap-Cam	\$10.00
53931	Media clutch assembly	\$65.00
53929	Ribbon clutch assembly	\$62.00
34911	E-ring 3/8 Truarc 5133-37	\$3.75
53935	24 pitch 48 teeth gear spur Delrin	\$15.50
53936	Gear spur Delrin, 24 teeth	\$9.00
53955	Main board, SST2 12 ips	\$520.00
80756	Main board, SST2 8	\$520.00
53940	Media sensor assembly	\$75.00
53956	Power Supply	\$500.00
78291	Peel mechanism	\$225.00
53924	Platen assembly	\$56.00
53923	Post idler	\$9.00
53942	Present sensor assembly	\$89.00
53939	Printhead 203 dpi dual connector	\$450.00
45346	Communications plate	\$12.00
45490	Gasket for communications cover plate (requires 2)	\$2.00
67797	Cover ribbon spool	\$22.00
53954	RS-485/RS-422, IC Transceiver, 14 pin dip	\$125.00
53938	Torsion spring	\$3.00
53941	Stepper motor assembly	\$132.00
53927	Ribbon supply assembly	\$58.00
53925	Take-up hub assembly	\$56.00
53937	Timing belt	\$20.00
72053	Cover plate	\$18.75
74705	Base gasket	\$10.00
74706	Cover plate gasket	\$5.50
74810	Shroud gasket	\$10.00
Components of Peel Mechanism (special order)		\$250.00
78291	Peel mechanism	\$225.00
96777	Peel mechanism ledge	\$5.00
65687	Rivets	Factory Installed
20875	Lid Support	\$33.25

Rice Lake Survivor SST3®

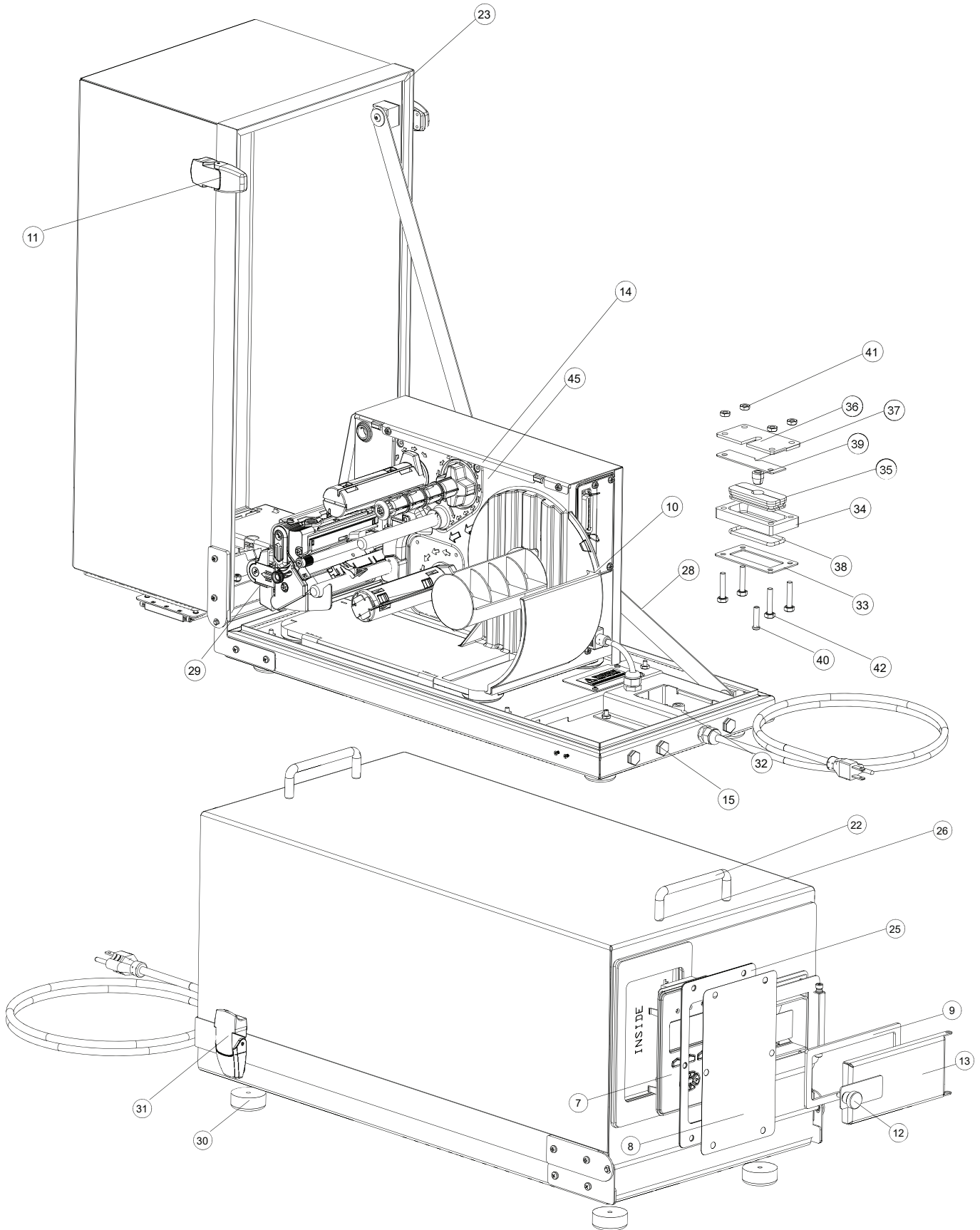
Part Number/Price

Ref#	Part#	Description	Price
	104976	Board, main 8 MB flash	\$685.00
	53936	Gear, spur 24t	\$9.00
	53923	Idler post	\$9.00
	104972	Power supply board	\$450.00
	103369	Printhead, 203 dpi	\$495.00
	107162	Upper platen roller kit	\$80.00
7	108880	Display/Keypad assembly	\$175.00
	198713	SST3 replacement display retrofit kit	Consult
8	108868	Display cover	\$15.00
9	108717	Gasket, label presentation	\$21.00
10	108891	Printer, M-4210, Mark II	\$1,800.00
11	108894	Gasket, latch mount	\$5.00
	109431	3/1.5 in media supply hub	\$51.00
	109432	Stepper motor	\$105.00
12	108718	Front knob	\$30.00
13	108714	Cover, Label Presentation Chute	\$35.00
14	109636	Ribbon cable, 26 in control panel	\$15.00
15	88733	Breather vent	\$22.00
	111873	Fuse, 230V heater	\$5.25
17	113733	Anti-reflective patch	\$2.00
	113365	Cover, antennae	\$360.00
	113766	Bracket, wireless antennae	\$20.00
	113767	Plate, base wireless	\$50.00
22	45491	Handle	\$17.00
23	110625	Enclosure gasket	\$75.00
	105382	Power cord	\$17.00
25	109190	Display gasket	\$8.00
26	110543	Handle gasket	\$4.00
28	109890	Support arm	\$15.00
29	108718	Front knob	\$30.00
30	109535	Foot	\$4.00
31	108939	Latch and keeper set	\$150.00
32	109168	Reducing gland	\$1.50
33	110572	Communications gasket	\$5.00
34	110573	Communications port plate	\$25.00
35	110574	Communications insert	\$25.00
36	110575	Communications port split-seal	\$8.00
37	110694	Communications port split-seal, half	\$10.00
38	110695	O-ring	\$1.00
39	110771	Reducing gland	\$1.00
40	19538	Black post	\$1.50
41	14645	Jam nut, 1/4-20 NC	\$1.50
42	112347	Cap screw 1/4-20 x 1 1/4 in	\$8.00
	36966	Heater, 120VAC	\$475.00
	114835	Heater, 230VAC	\$510.00
45	158800	Screw for center pivot joint	\$4.00
	171252	Label Presentation Bexel and Assembly	\$170.00

Note: Honeywell M-4210 Mark II Parts drawing available at ricelake.com
(See Diagram SST3)



Rice Lake Survivor SST3®



Part Number/Price

Part#	Description	Price
SP298 Dot Matrix Printer		
69921	Ink ribbon, purple	\$12.00
69903	Power supply	\$100.00
72309	Power supply, 12V vehicle lighter plug	\$185.00
72513	Print head	\$125.00
SP2320/SP2520/SP512 Dot Matrix Tape Printer		
69921	Ink ribbon, purple	\$12.00
69903	Power supply, SP 2320 and SP 2520	\$100.00
72309	Power supply, 12V, SV 2320 and SP 2520, vehicle lighter plug	\$185.00
SP700/SP712/SP742 Dot Matrix Printer		
103728	Ink ribbon, black	\$12.00
DP8340 Dot Matrix Tape Printer		
70682	Power supply	\$129.00
20447	Ribbon cartridge, purple	\$10.00



SP298



SP2320/SP2520/SP512



SP700



DP8340



TSP654



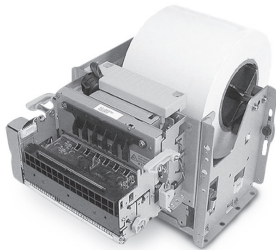
TSP743



SP349



NP211



TUP900

Part Number/Price

Part#	Description	Price
TS654/TSP743 Direct Thermal/Thermal Transfer Printer		
69903	Power supply	\$100.00
71355	Parallel option card	\$60.00
72309	Power supply, 12V, vehicle lighter plug	\$185.00
SP349/SP312 Dot Matrix Tape Printer		
69920	Ink ribbon, purple	\$13.00
70247	20 mA output	\$50.00
NP-211/NP-2511/NP-3511 Thermal Kiosk Printer		
102955	Power supply, NP-211, NP-311	\$75.00
69903	Power supply, NP-2511, NP-3511	\$100.00
TUP900 Direct Thermal Kiosk Mechanism		
69903	Power supply	\$100.00

Part Number/Price

Part#	Description	Price
(Eltron®) LP-2824, LP-2844, TLP-2844		
78998	Print head, LP2824 2 in	\$165.00
86938	Power supply, 100V-24 0V (C7)	\$245.00
67651	Power cord, U.S. 120V, IEC320C7	\$20.00
78999	Print head assembly - 4 in LP	\$195.00
79000	Print head assembly - 4 in TLP	\$210.00
GK I GX Series		
111091	Printhead 203 dpi, direct thermal	\$200.00
115480	Power supply	\$185.00
161470	GK420+ GX420+ Printhead thermal transfer 203 dpi	\$295.00



LP-2824



GK-TT

GK-DT

