

Product Bulletin No. 03-04

## **Deck Mounted Single Faucets** **Deck Mounted Mixing Faucets**

---



L611VB



L411VB



L2222

---

## Specifications

The change to the new faucet bodies will not affect any written product specifications currently in use.

---

## Hole Sizes and Inlet Connections

The new faucet bodies will utilize different hole sizes than the older models. Our customers will have to be careful to assure that laboratory countertops are fabricated with the correct hole sizes to accommodate the new faucet bodies.

In addition, the inlet connections of these faucets will change. However, the new connections are more typical and more widely used in the plumbing industry than the old. We thus do not anticipate that any plumber or installer will have a problem with the new inlet connections.

	Diameter of Base		Recommended Hole Size		Inlet Connection	
	Old Style	New Style	Old Style	New Style	Old Style	New Style
<b>L400 Series</b>	2" (51mm)	1 3/4" (44mm)	1 3/8" (35mm)	1 1/4" (32mm)	1/2" OD Slip Joint	3/8" OD Compression
<b>L600 Series</b>	2" (51mm)	1 3/4" (44mm)	1 1/8" (29mm)	3/4" (20mm)	1/2" OD Slip Joint	3/8" Male NPT
<b>L2200 Series Valve Body</b>	2" (51mm)	1 7/8" (48mm)	1 3/8" (35mm)	1 3/8" (35mm)	1/2" OD Slip Joint	3/8" OD Compression
<b>L2200 Series Center Fitting</b>	1 7/8" (48mm)	1 7/8" (48mm)	7/8" (22mm)	3/4" (20mm)	1/2" Male NPT	3/8" Male NPT

---

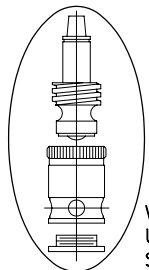
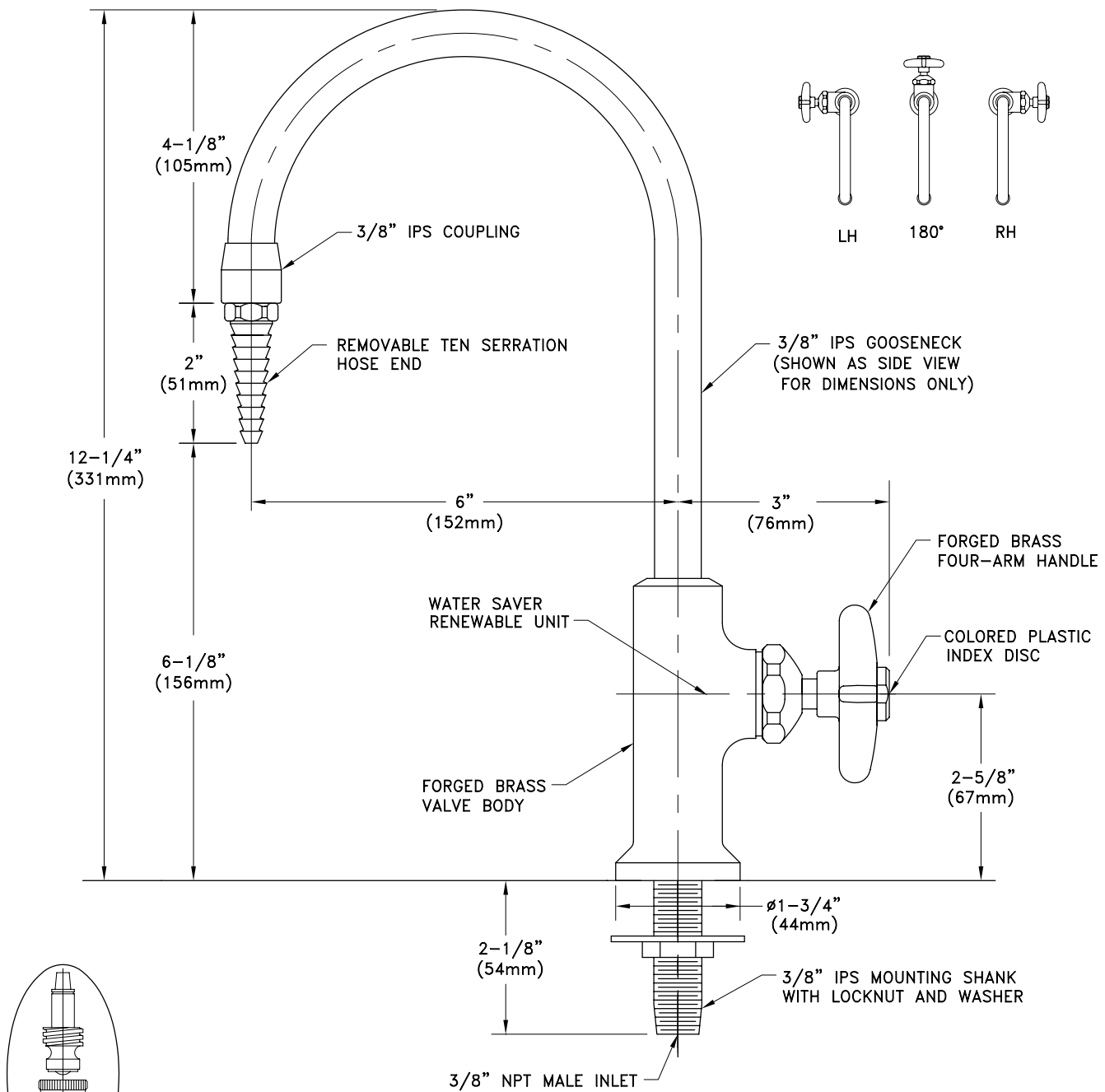
## Effective Date

The new L400 and L600 faucet bodies will be used for all orders **shipped after October 1, 2003**. The new L2200 series faucet Bodies will be used for orders **shipped after January 1, 2004**.

The change in faucet bodies will be automatic; that is, new faucet bodies will be shipped unless we are notified otherwise. The model numbers of the faucets will not change.

The old faucet bodies will remain available after October 1, 2003 (for the L400 and L600) and after January 1, 2004 (for the L2200) . We can supply them on projects where shop drawings have already been submitted and cannot be revised, countertops have already been fabricated or there is a need to match fixtures that have already been supplied on an earlier phase of the project. To order old style fixtures, please so indicate on your purchase order.

**L611** Laboratory Single Faucet, Deck Mounted, Rigid Gooseneck  
**L612** Laboratory Single Faucet, Deck Mounted, Swing Gooseneck  
**L614** Laboratory Single Faucet, Deck Mounted, Rigid/Swing Gooseneck

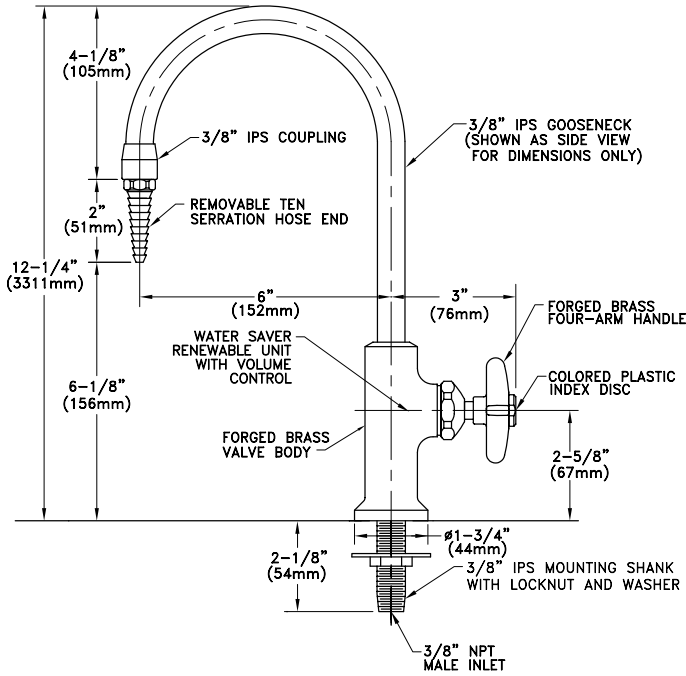


WATER SAVER RENEWABLE UNIT WITH REPLACEABLE STAINLESS STEEL SEAT

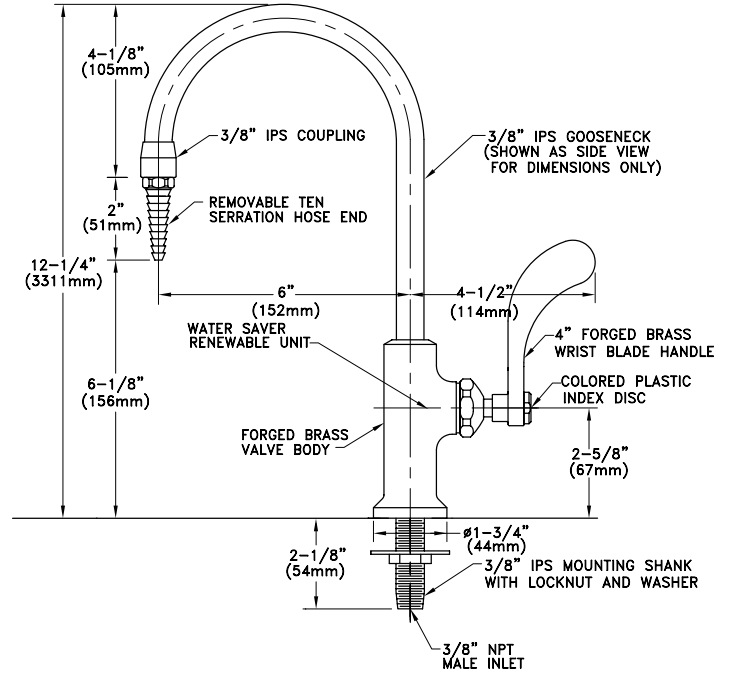
**CSA** CERTIFIED UNDER ANSI/ASME A112.18.1M AND CSA B125.

**NOTE:** FIXTURE IS FURNISHED AS RIGHT HAND UNLESS ORDERED OTHERWISE.

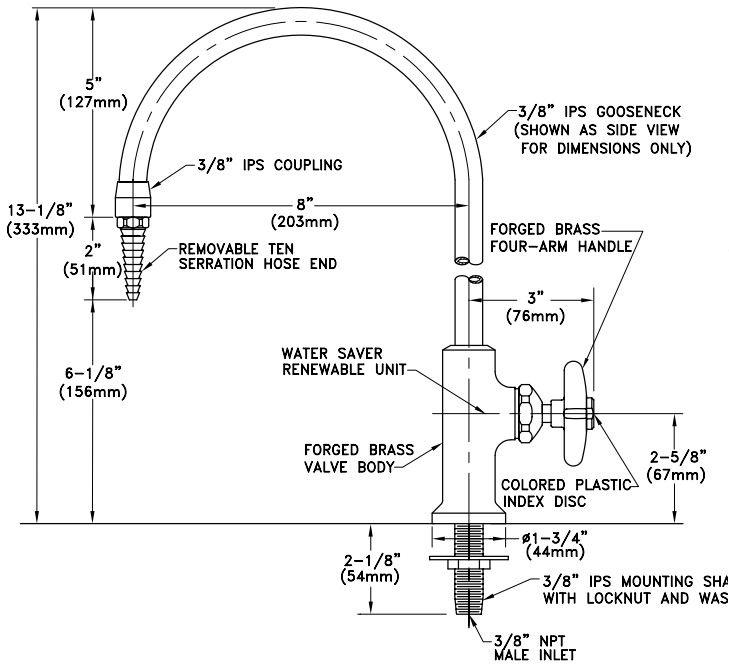
# L611AC



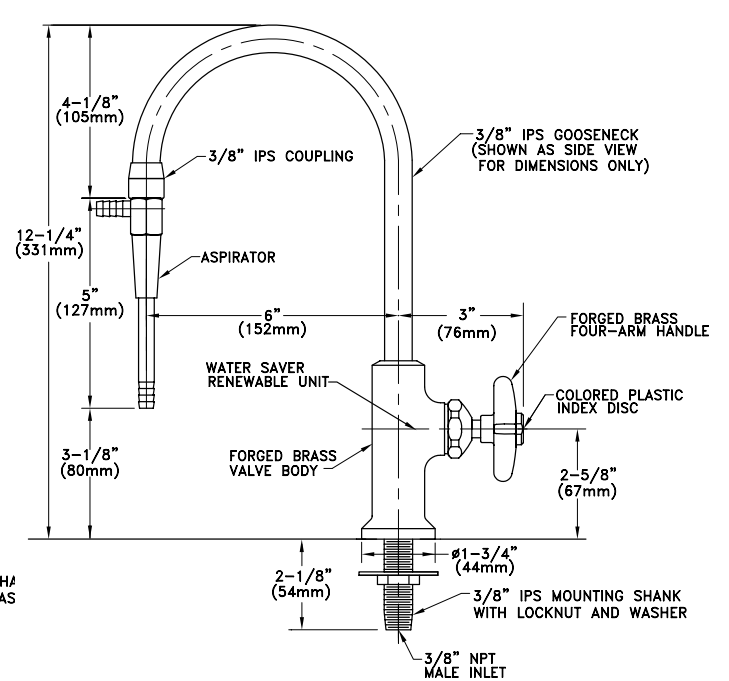
# L611BH



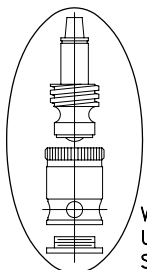
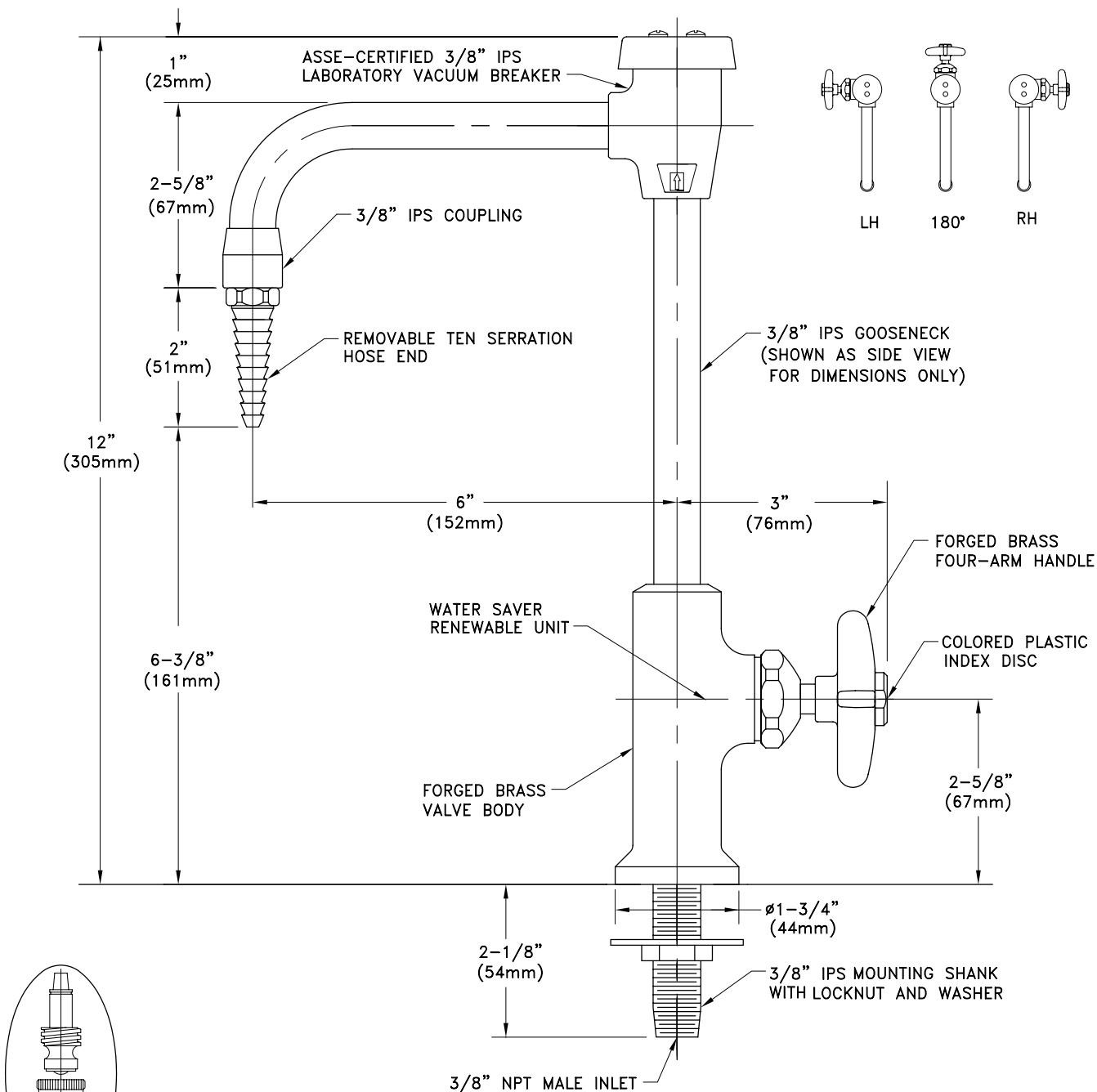
# L611-8



# L611-127



**L611VB** Laboratory Single Faucet, Deck Mounted, Rigid Vacuum Breaker Gooseneck  
**L612VB** Laboratory Single Faucet, Deck Mounted, Swing Vacuum Breaker Gooseneck  
**L614VB** Laboratory Single Faucet, Deck Mounted, Rigid/Swing Vacuum Breaker Gooseneck



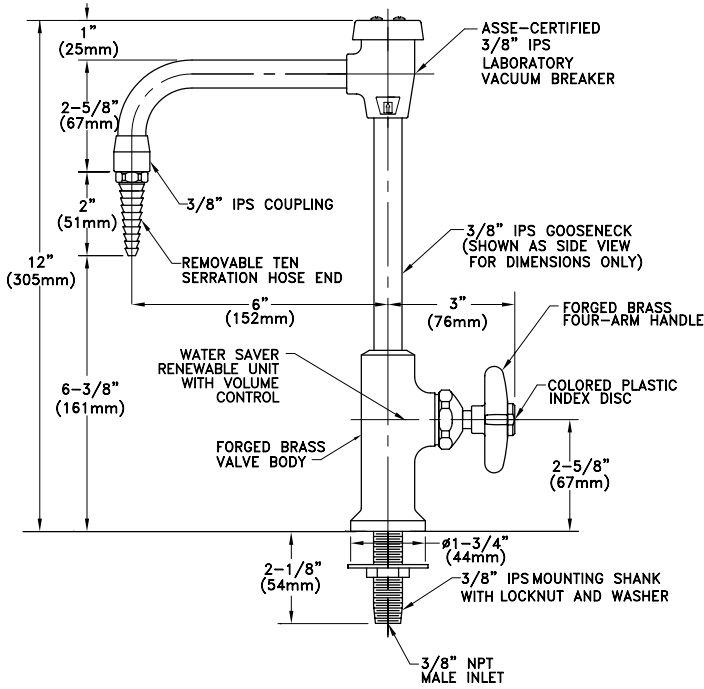
WATER SAVER RENEWABLE UNIT WITH REPLACEABLE STAINLESS STEEL SEAT



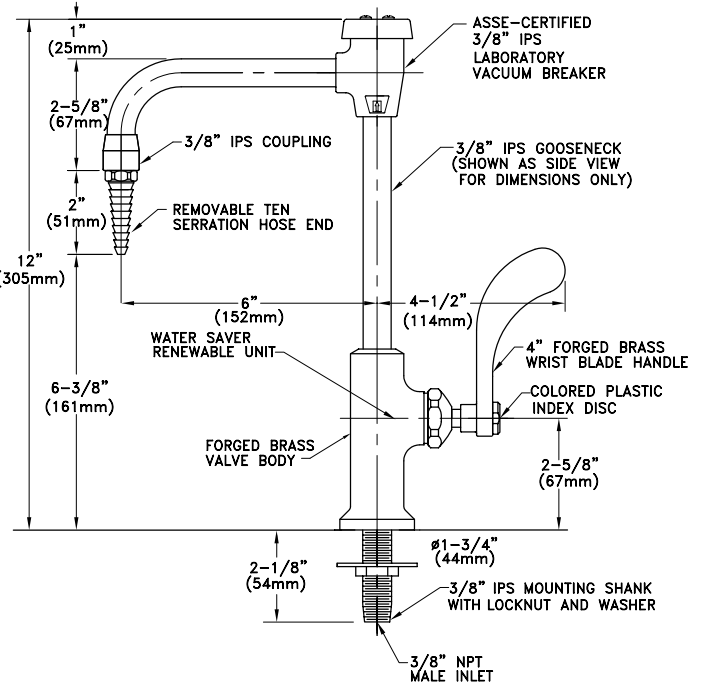
CSA CERTIFIED UNDER ANSI/ASME A112.18.1M AND CSA B125.

NOTE: FIXTURE IS FURNISHED AS RIGHT HAND UNLESS ORDERED OTHERWISE.

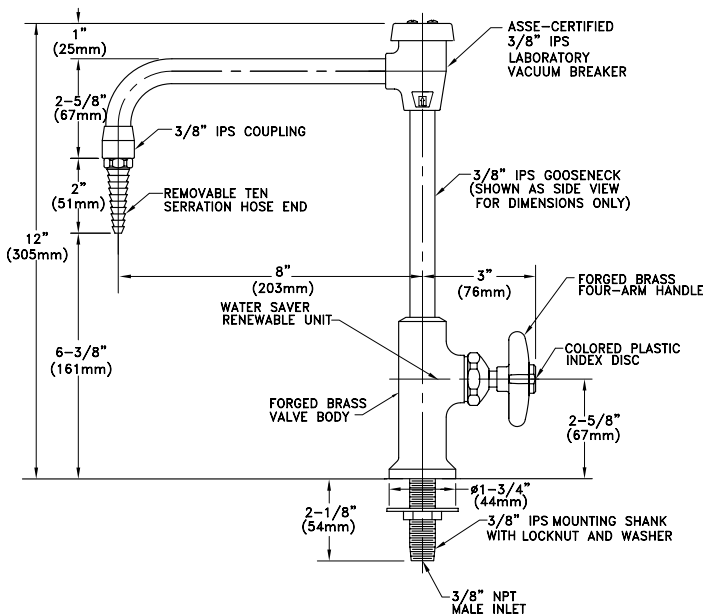
# L611AC-VB



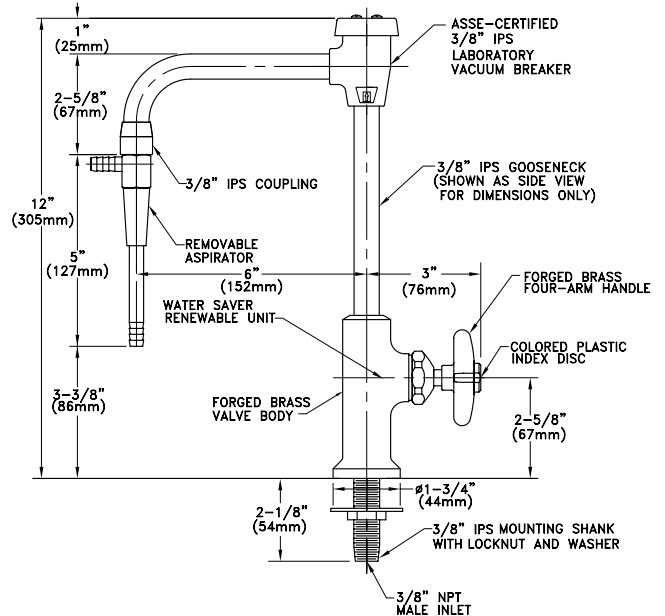
# L611VB-BH



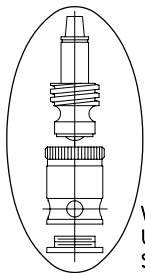
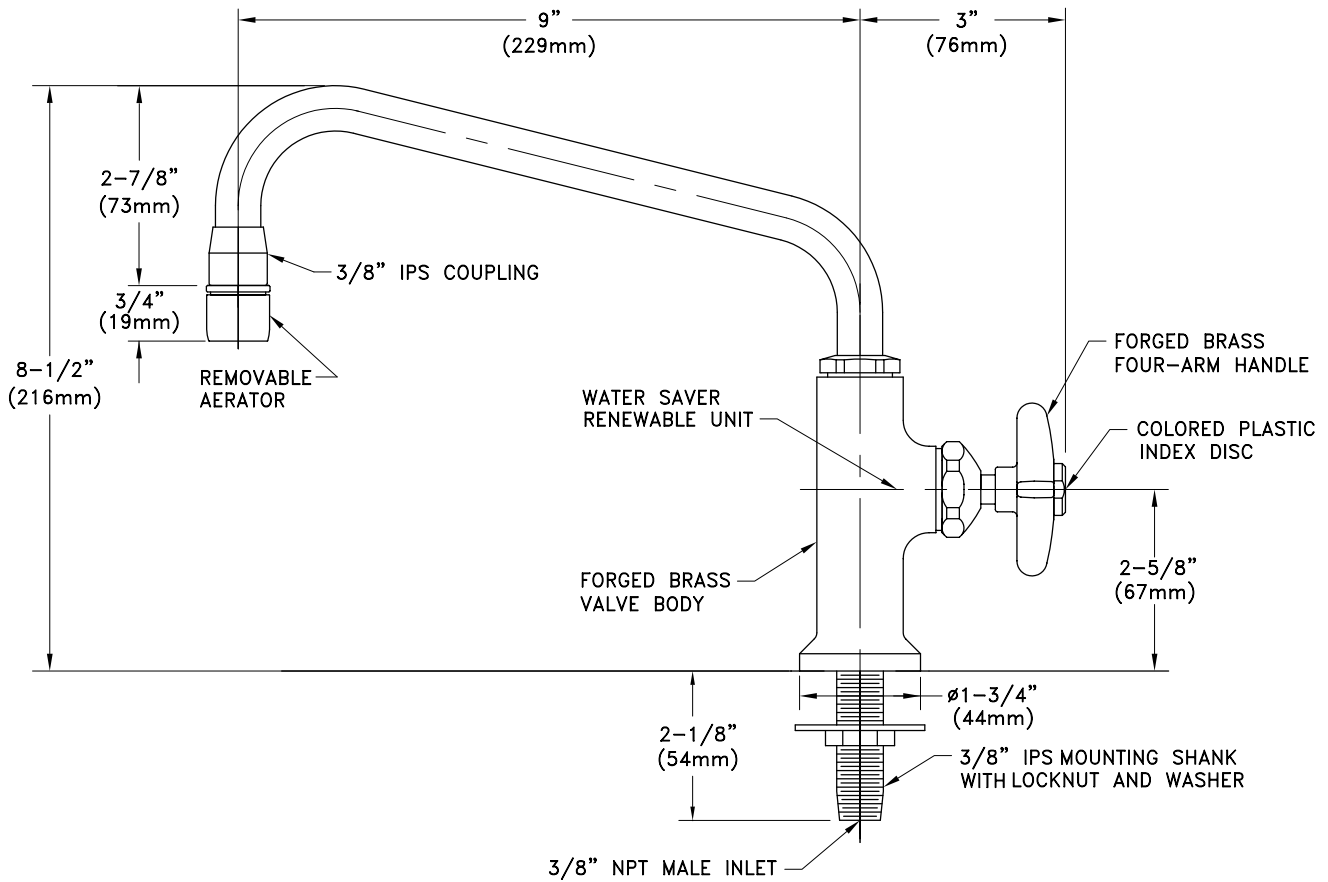
# L611-8VB



# L611VB127



# L610 Laboratory Single Faucet, Deck Mounted, 9" Swing Spout

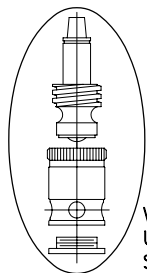
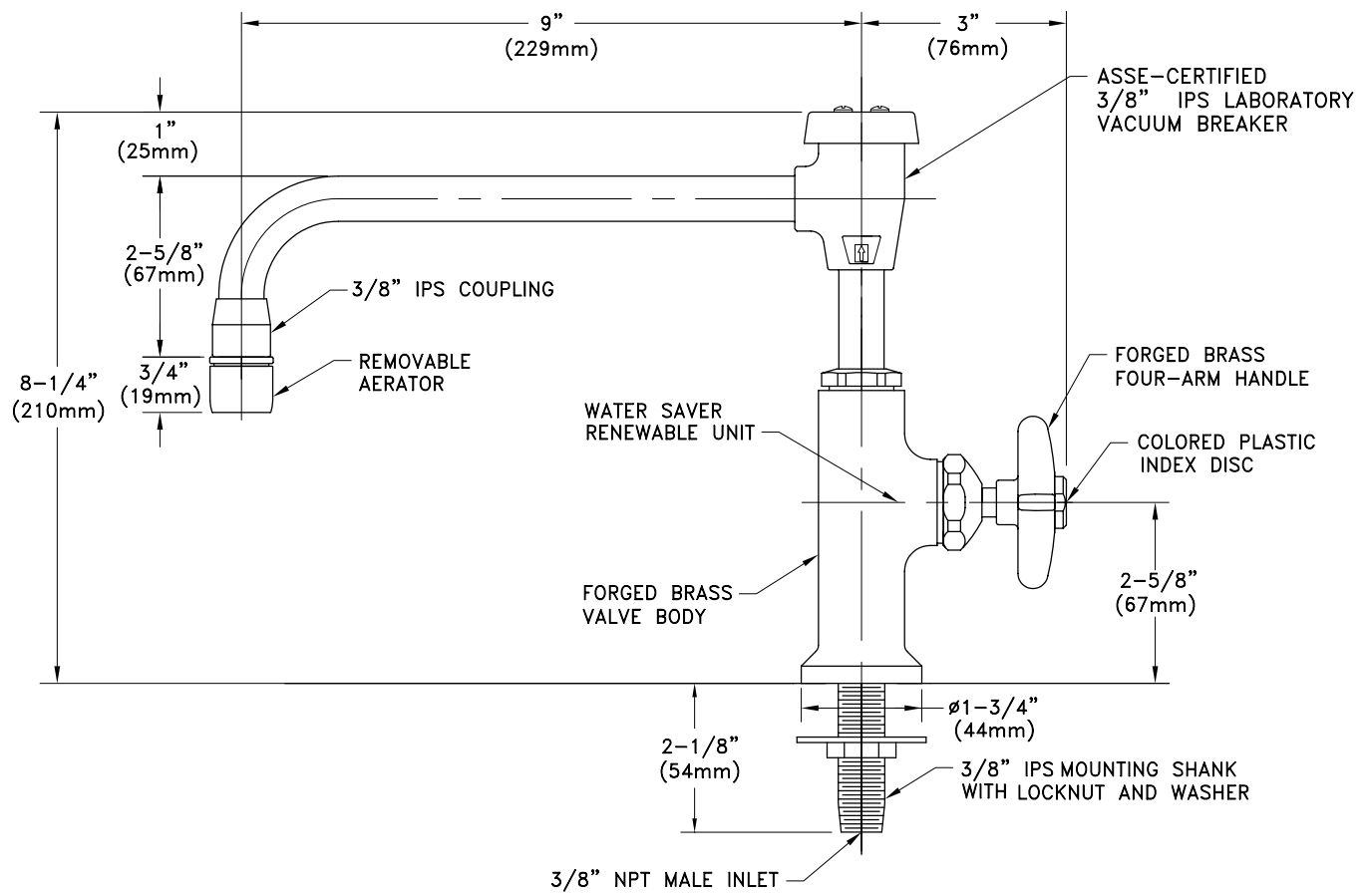


WATER SAVER RENEWABLE UNIT WITH REPLACEABLE STAINLESS STEEL SEAT



CSA CERTIFIED UNDER  
ANSI/ASME A112.18.1M AND CSA B125.

# L610VB Laboratory Single Faucet, Deck Mounted, 9" Swing Vacuum Breaker Spout



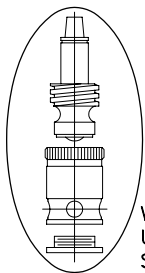
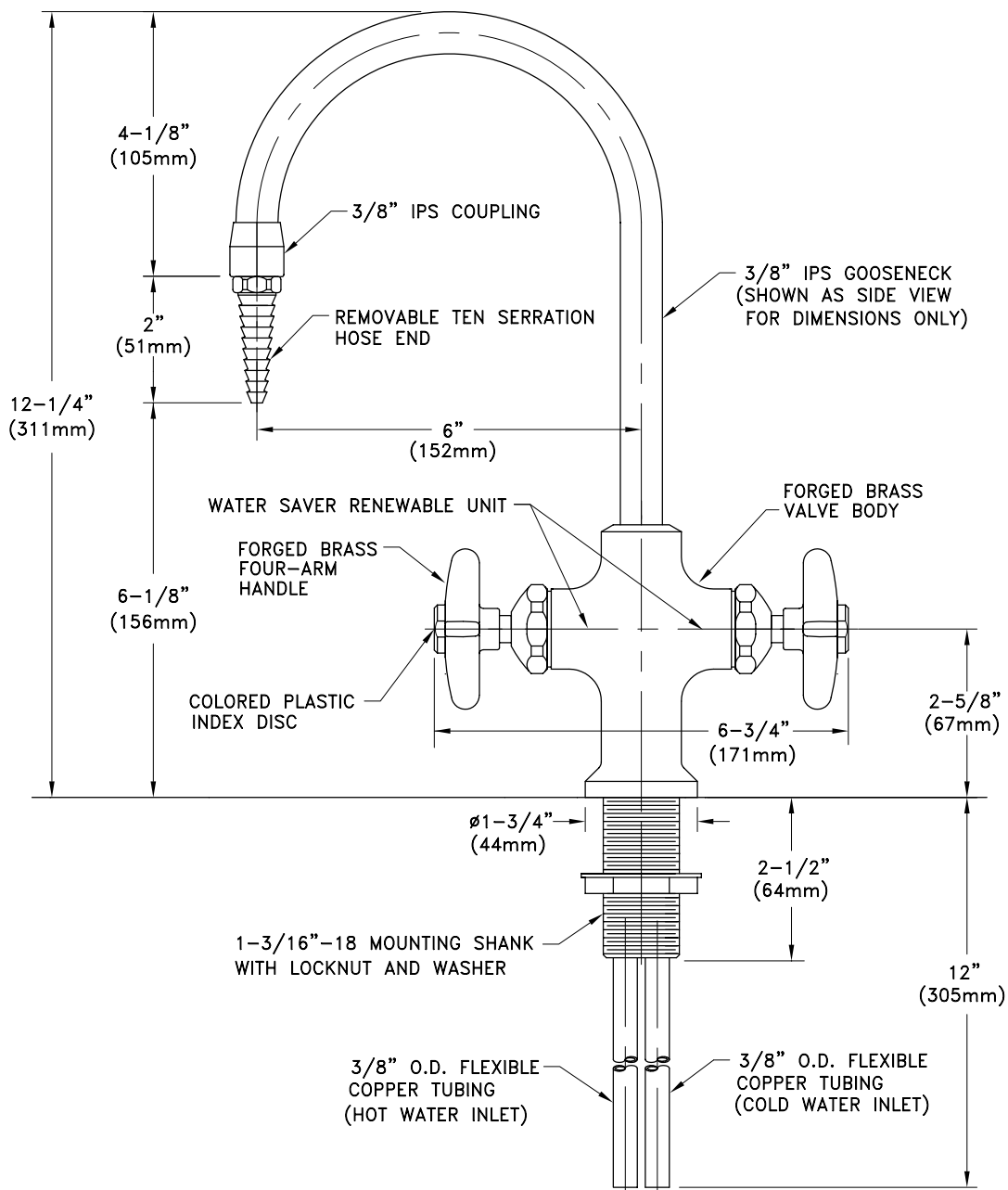
WATER SAVER RENEWABLE UNIT WITH REPLACEABLE STAINLESS STEEL SEAT



CSA CERTIFIED UNDER ANSI/ASME A112.18.1M AND CSA B125.



- L411** Laboratory Mixing Faucet, Deck Mounted, 6" Rigid Gooseneck
- L412** Laboratory Mixing Faucet, Deck Mounted, 6" Swing Gooseneck
- L414** Laboratory Mixing Faucet, Deck Mounted, 6" Rigid/Swing Gooseneck

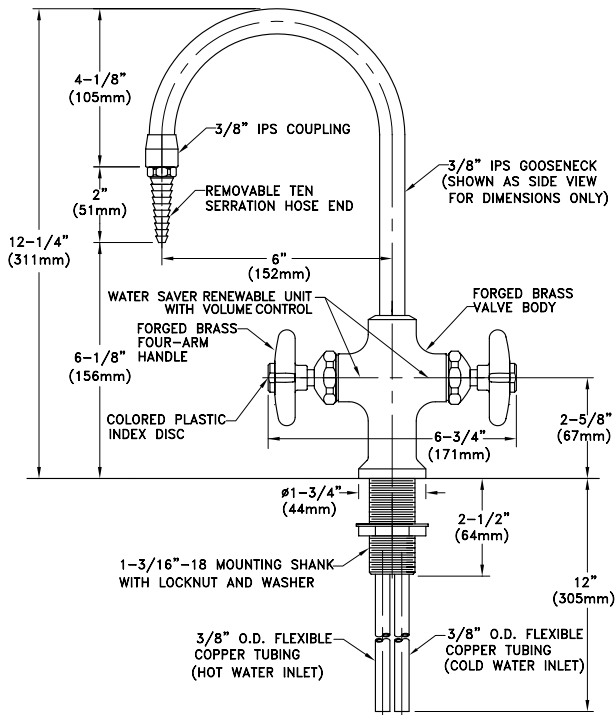


WATER SAVER RENEWABLE UNIT WITH REPLACEABLE STAINLESS STEEL SEAT

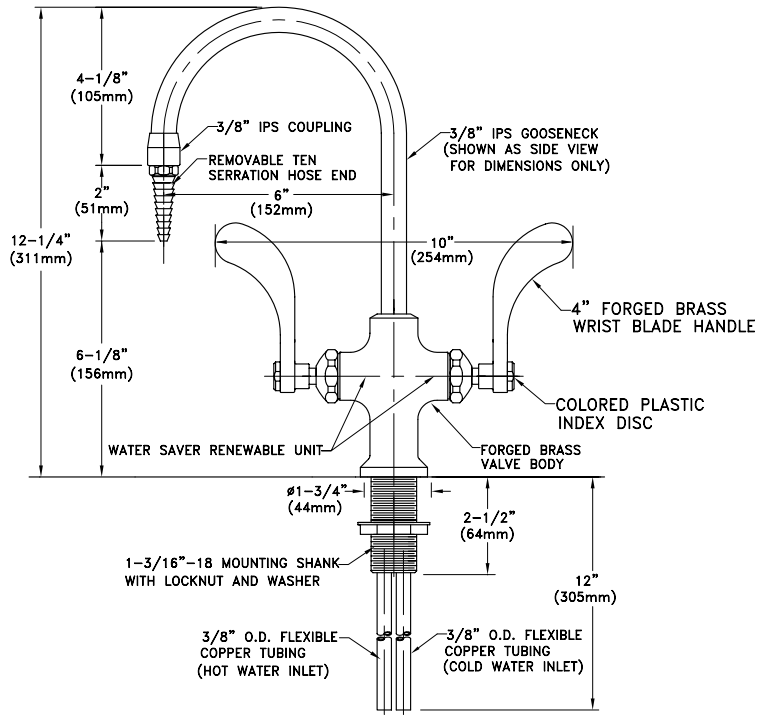


CSA CERTIFIED UNDER ANSI/ASME A112.18.1M AND CSA B125.

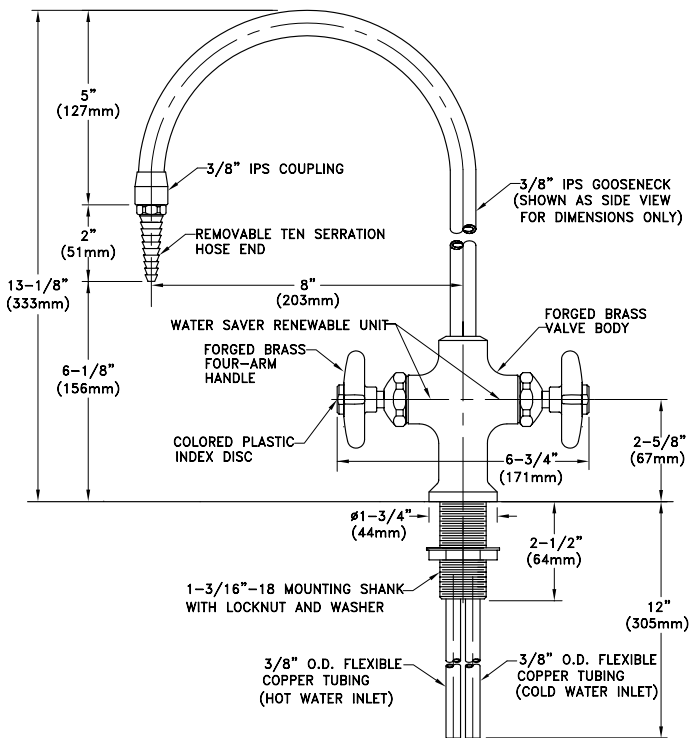
# L411AC



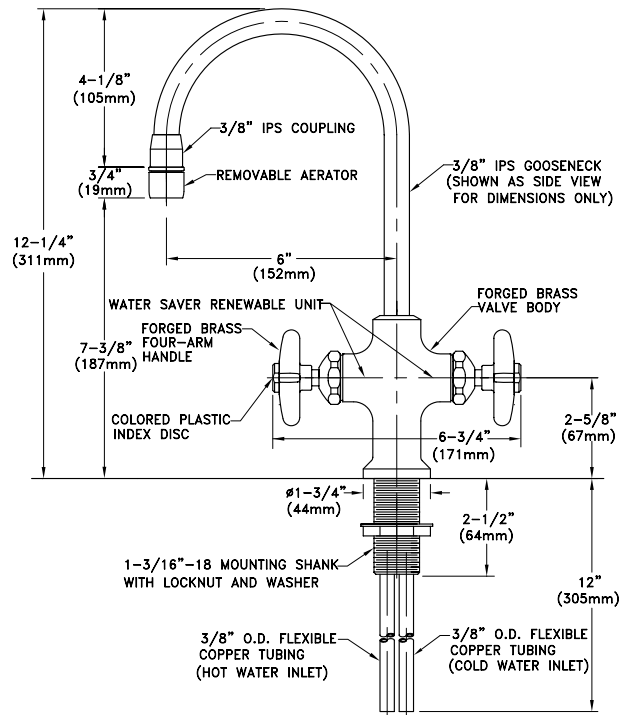
# L411BH



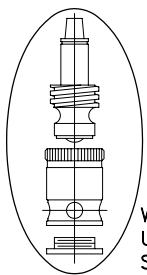
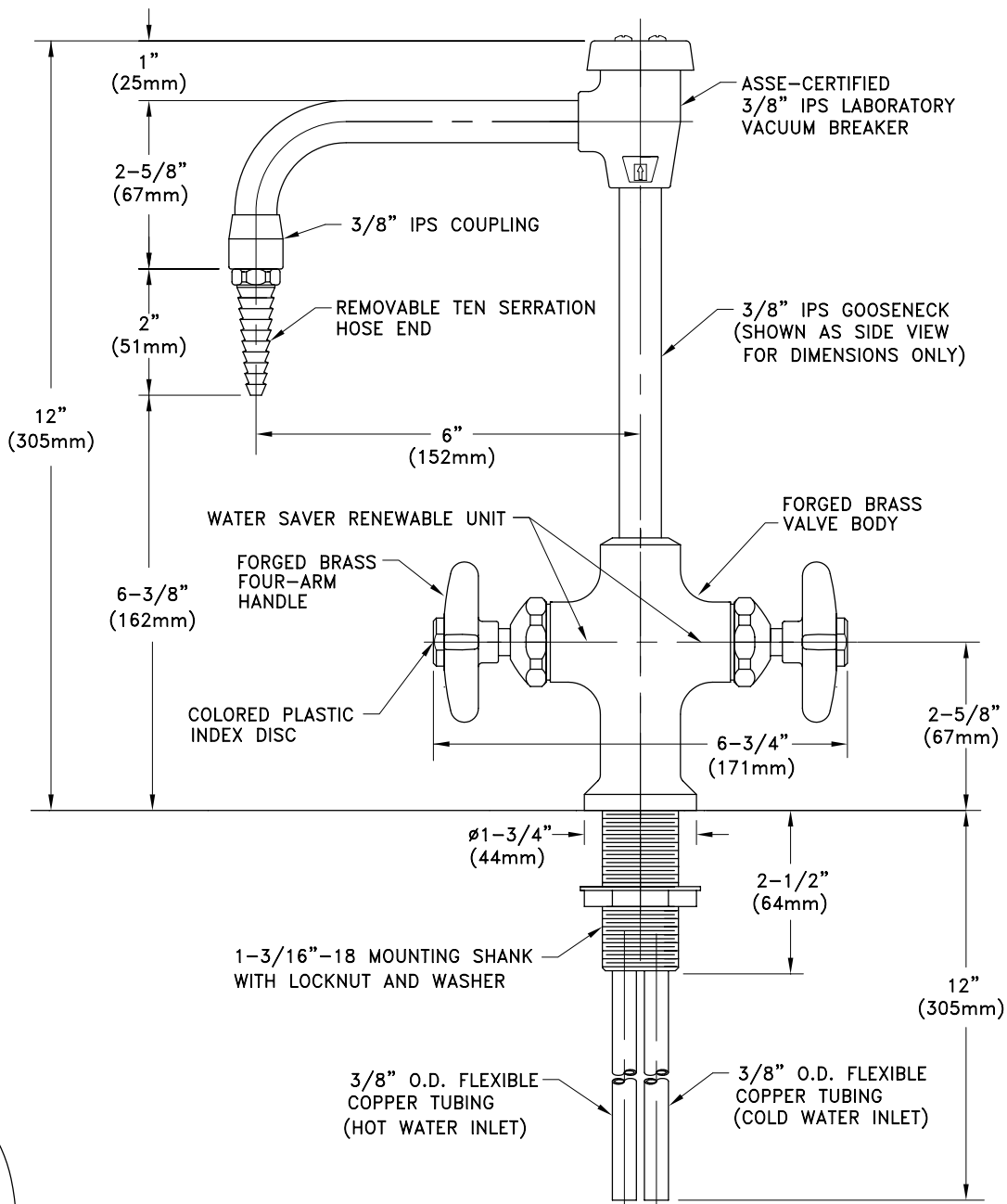
# L411-8



# L411-55



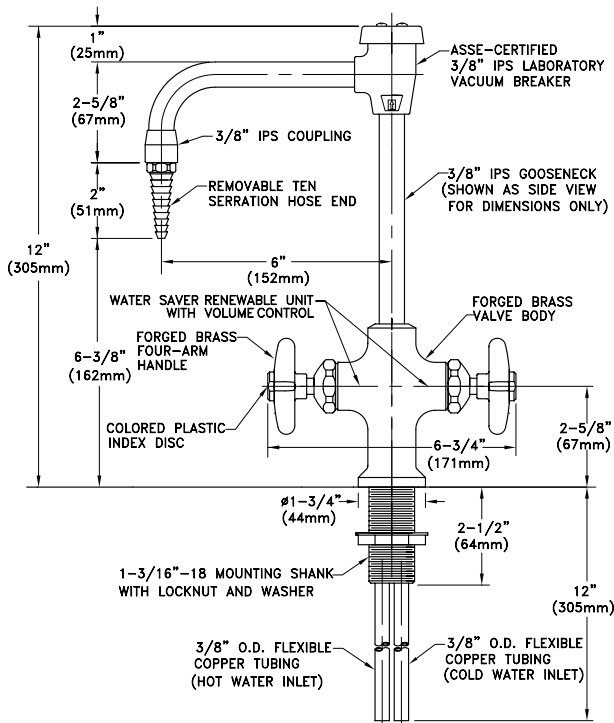
**L411VB** Laboratory Mixing Faucet, Deck Mounted, 6" Rigid Vacuum Breaker Gooseneck  
**L412VB** Laboratory Mixing Faucet, Deck Mounted, 6" Swing Vacuum Breaker Gooseneck  
**L414VB** Laboratory Mixing Faucet, Deck Mounted, 6" Rigid/Swing Vacuum Breaker Gooseneck



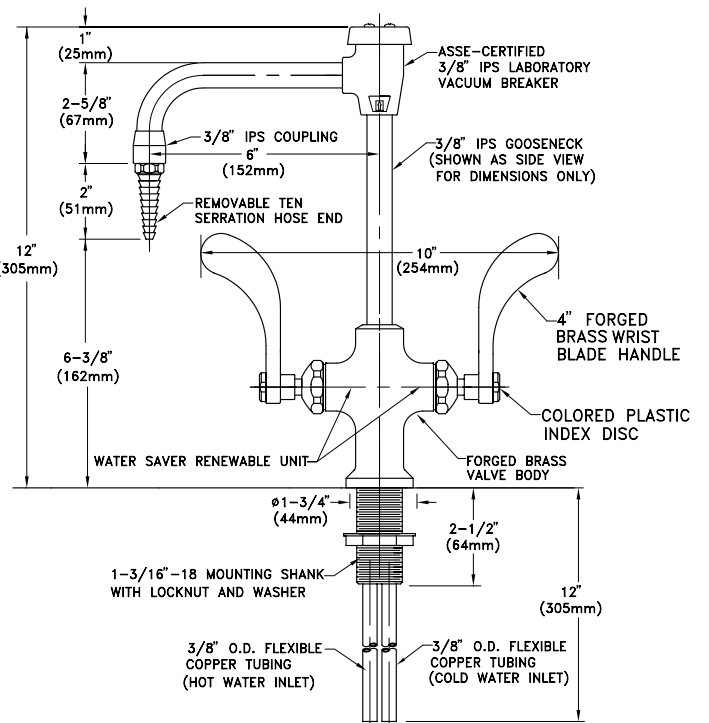
WATER SAVER RENEWABLE UNIT WITH REPLACEABLE STAINLESS STEEL SEAT

**CSA**® CSA CERTIFIED UNDER ANSI/ASME A112.18.1M AND CSA B125.  
C US

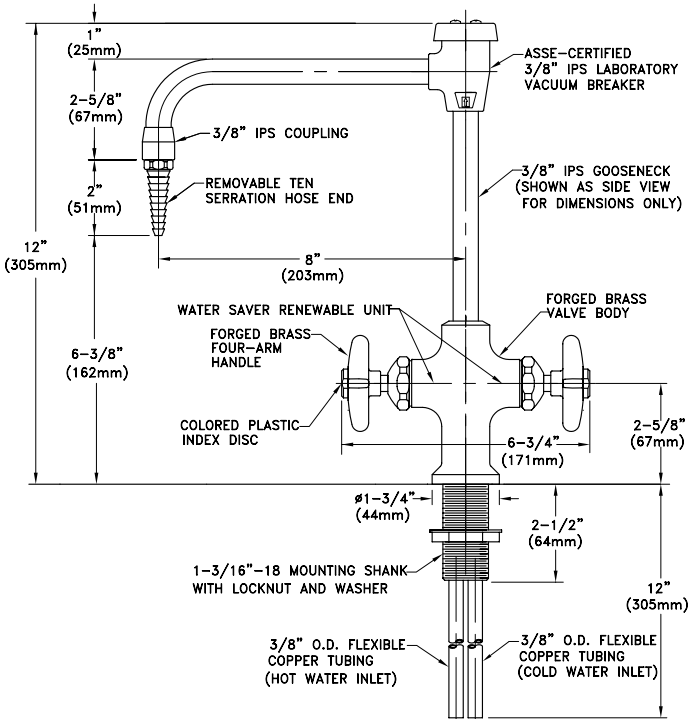
# L411AC-VB



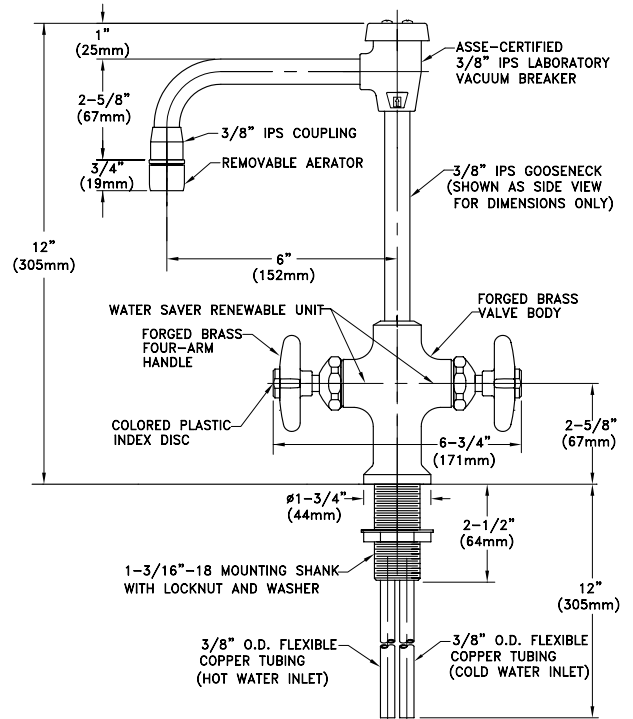
# L411VB-BH



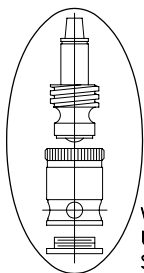
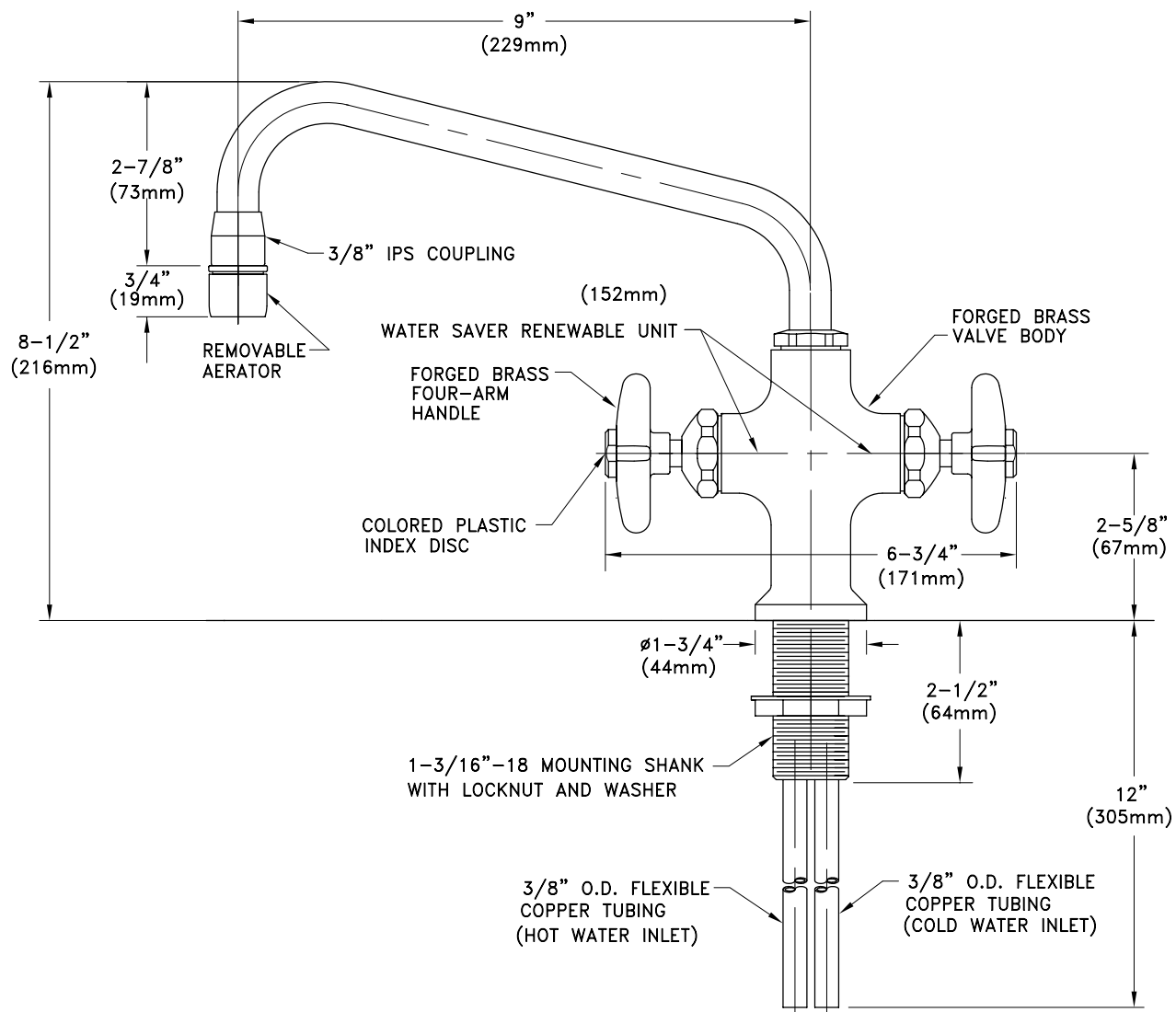
# L411-8VB



# L411VB55



# L410 Laboratory Mixing Faucet, Deck Mounted, 9" Swing Spout

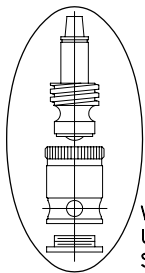
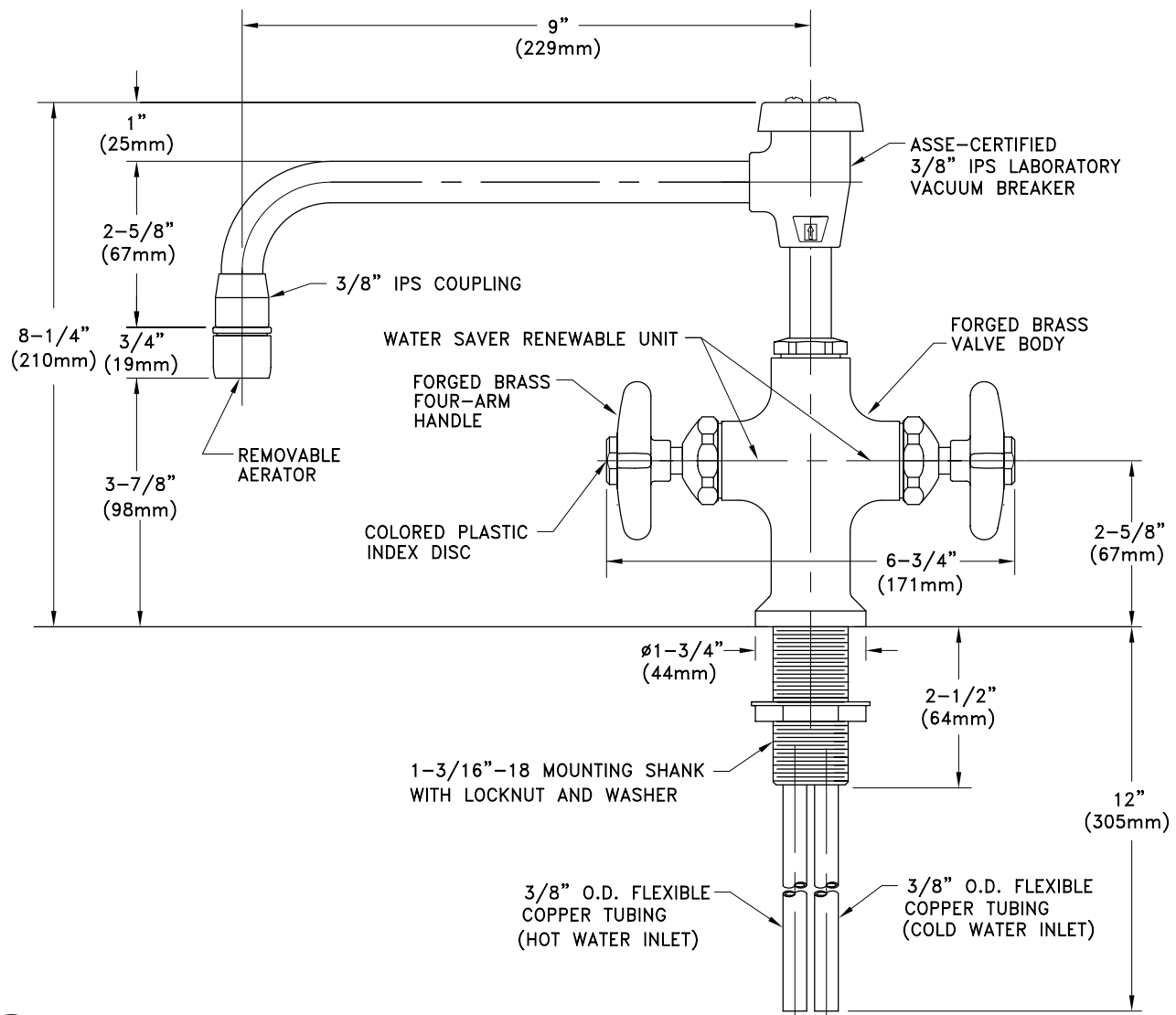


WATER SAVER RENEWABLE UNIT WITH REPLACEABLE STAINLESS STEEL SEAT



CSA CERTIFIED UNDER ANSI/ASME A112.18.1M AND CSA B125.

# L410VB Laboratory Mixing Faucet, Deck Mounted, 9" Swing Vacuum Breaker Spout

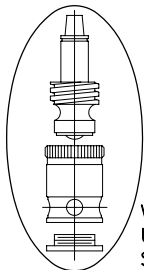
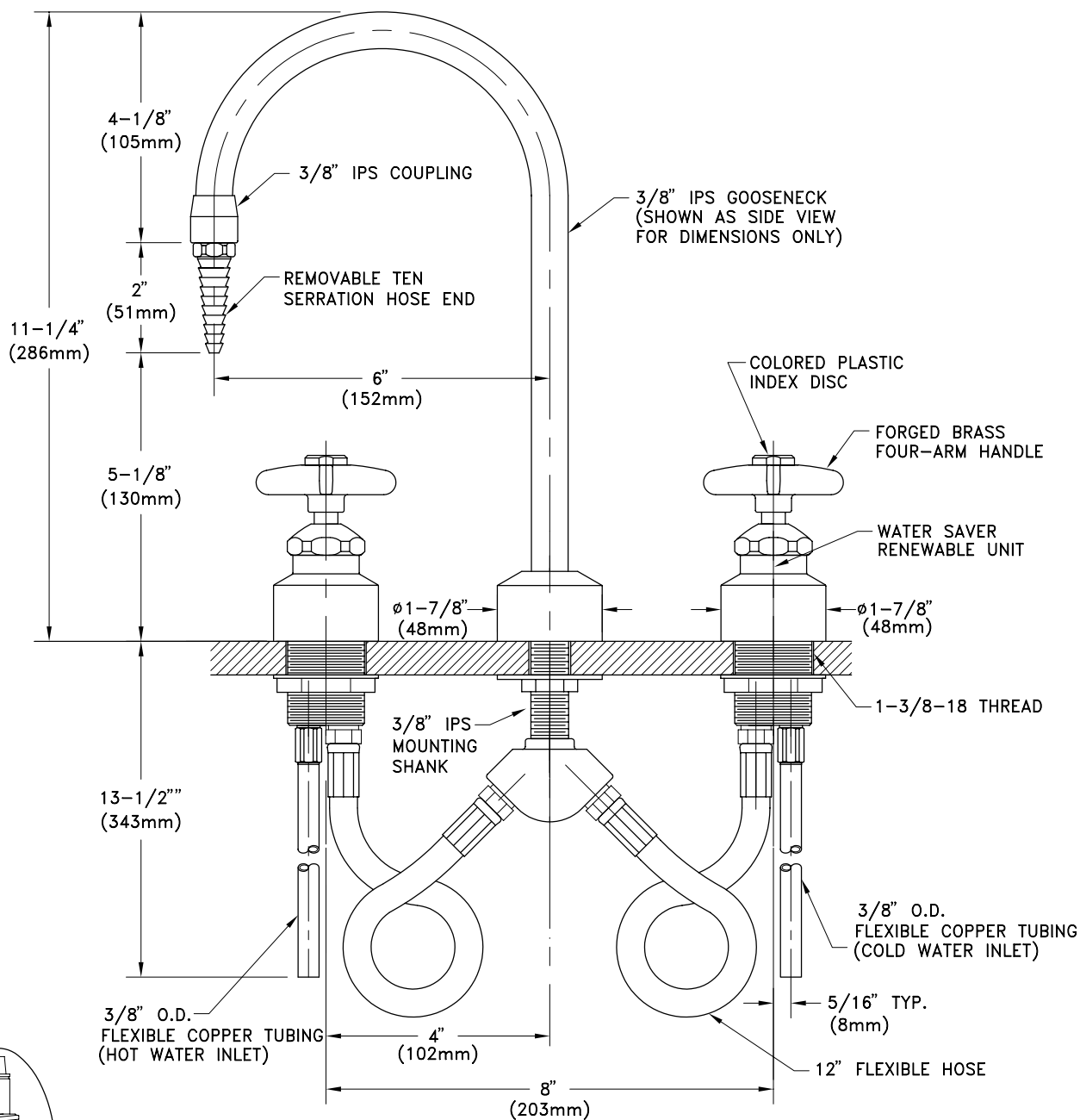


WATER SAVER RENEWABLE UNIT WITH REPLACEABLE STAINLESS STEEL SEAT



CSA CERTIFIED UNDER ANSI/ASME A112.18.1M AND CSA B125.

- L2211** Laboratory Mixing Faucet, Deck Mounted, Rigid Gooseneck
- L2212** Laboratory Mixing Faucet, Deck Mounted, Swing Gooseneck
- L2214** Laboratory Mixing Faucet, Deck Mounted, Rigid/Swing Gooseneck

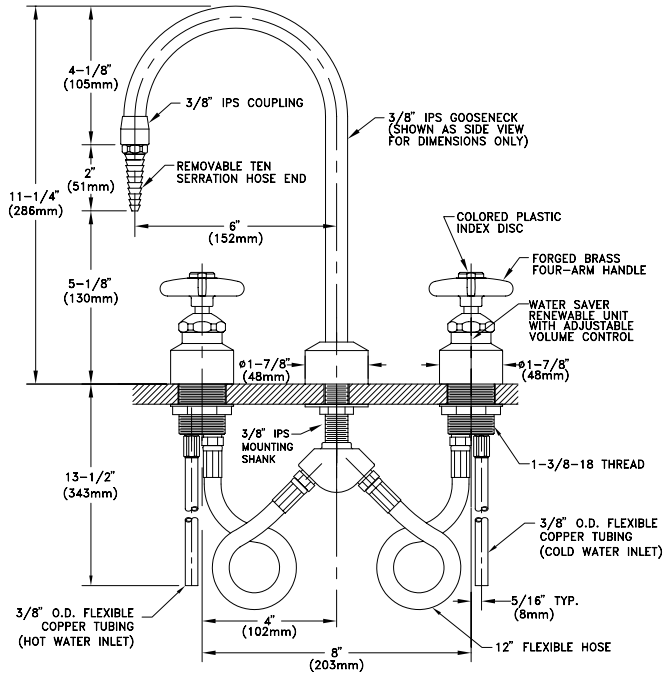


WATER SAVER RENEWABLE UNIT WITH REPLACEABLE STAINLESS STEEL SEAT

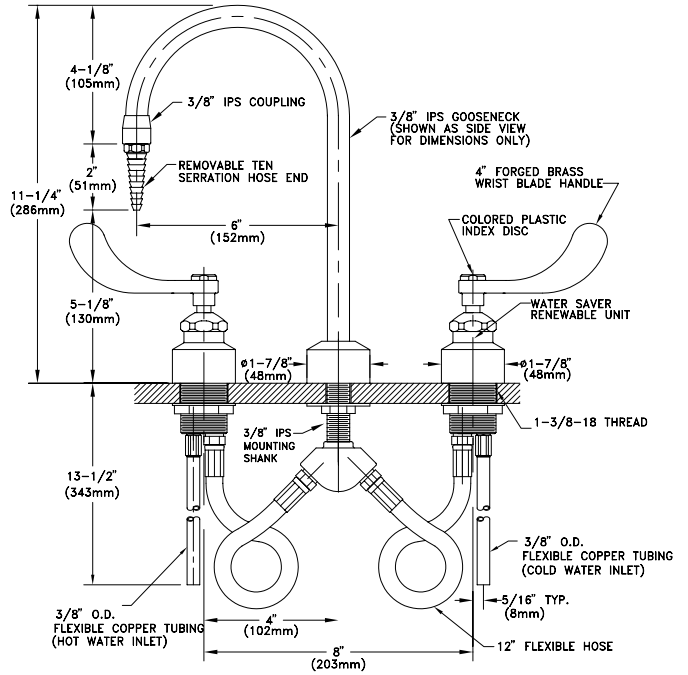


CSA CERTIFIED UNDER ANSI/ASME A112.18.1M AND CSA B125.

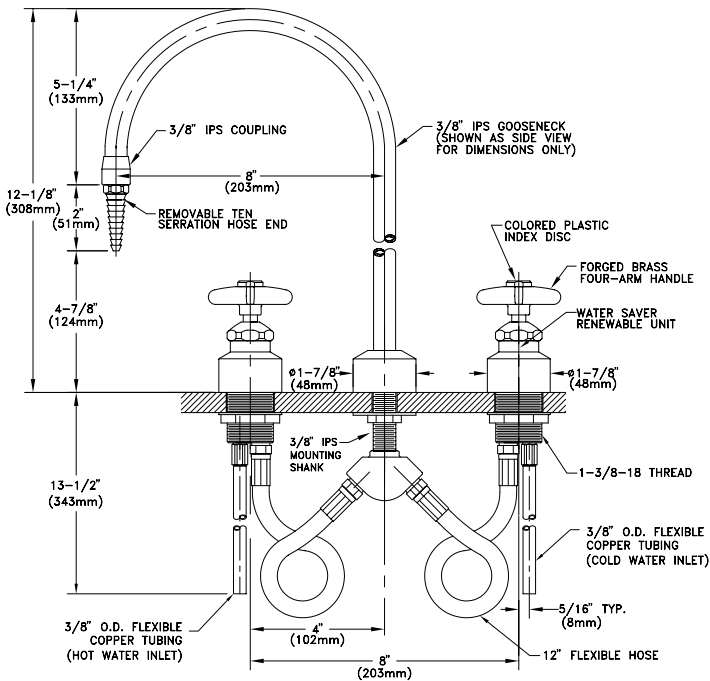
# L2211AC



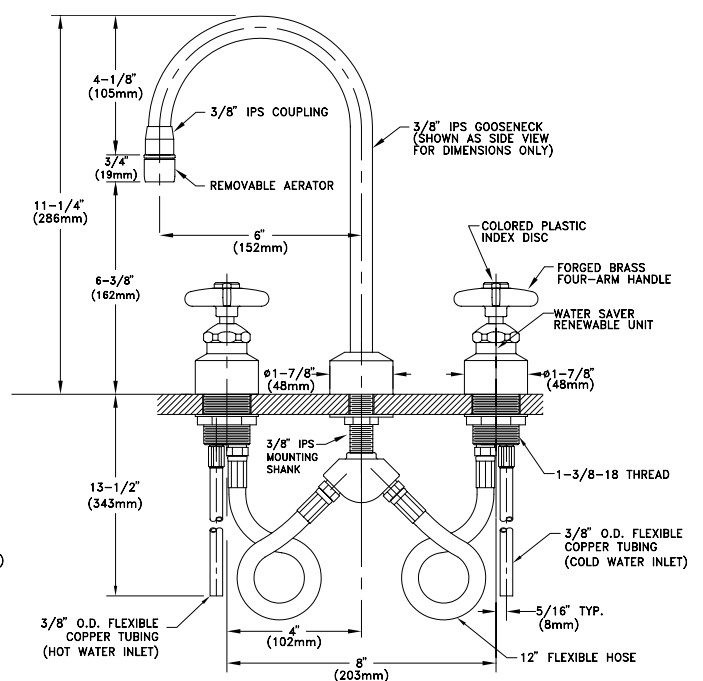
# L2211BH



# L2211-8

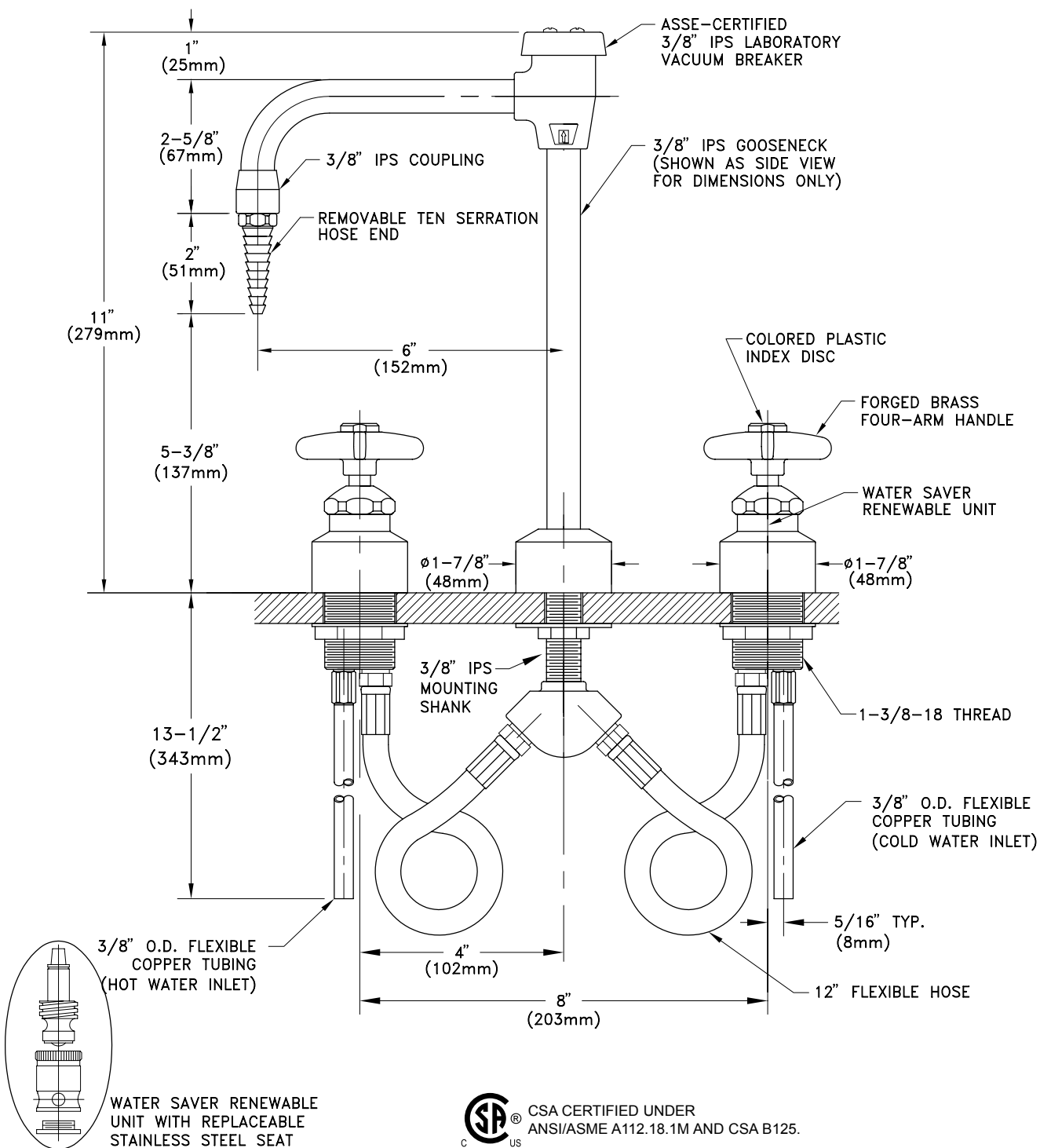


# L2211-55

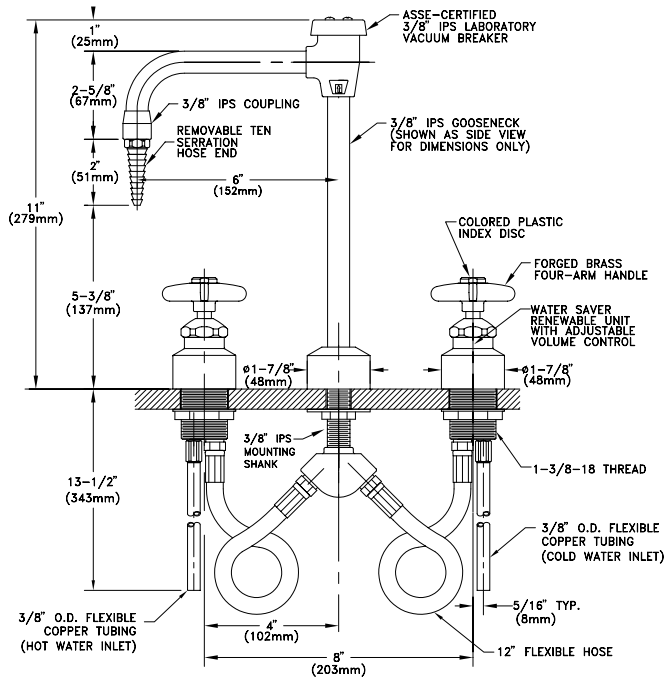




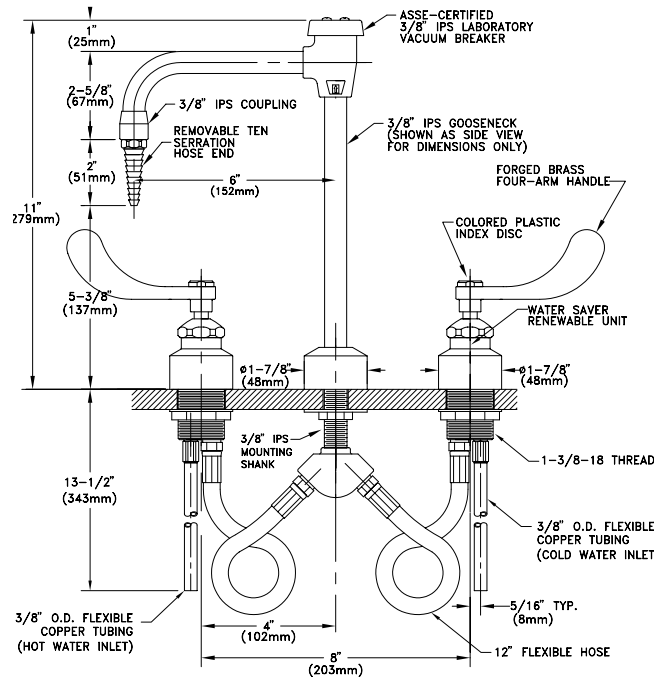
**L2211VB** Laboratory Mixing Faucet, Deck Mounted, Rigid Vacuum Breaker Gooseneck  
**L2212VB** Laboratory Mixing Faucet, Deck Mounted, Swing Vacuum Breaker Gooseneck  
**L2214VB** Laboratory Mixing Faucet, Deck Mounted, Rigid/Swing Vacuum Breaker Gooseneck



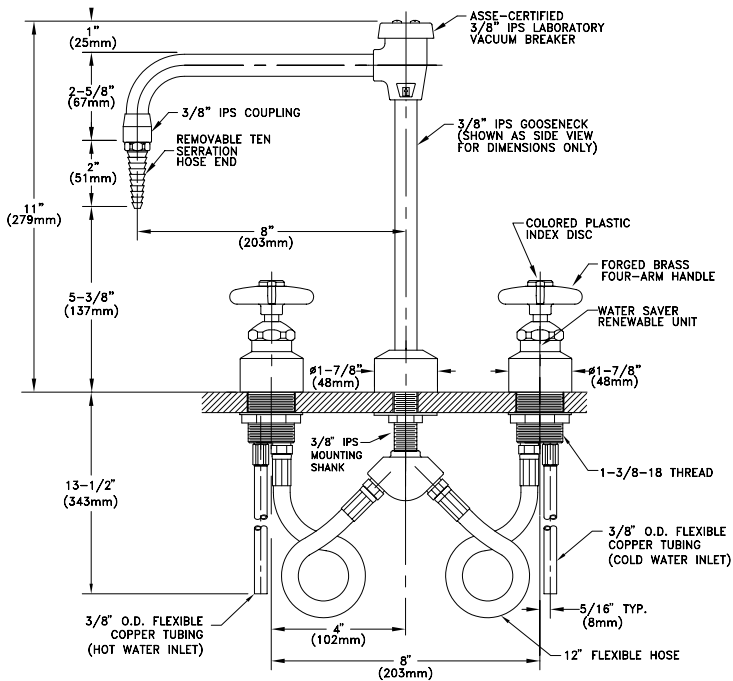
# L2211AC-VB



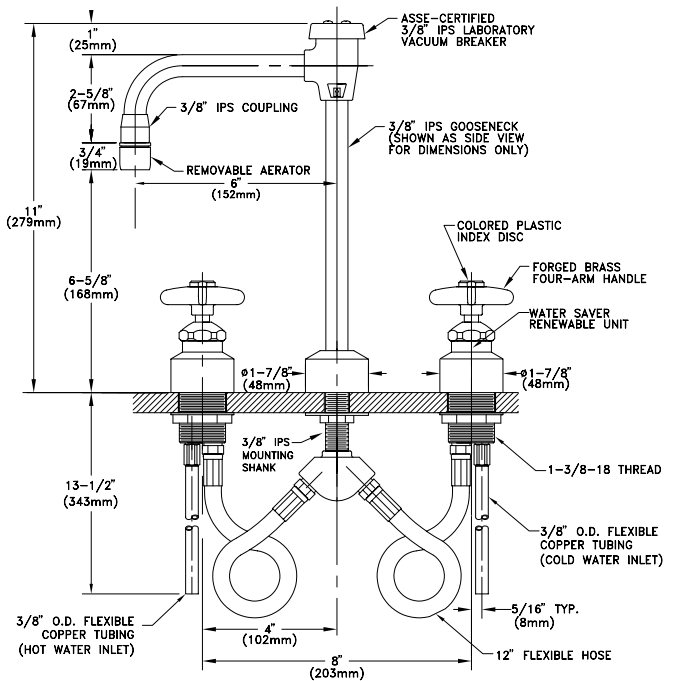
# L2211VB-BH



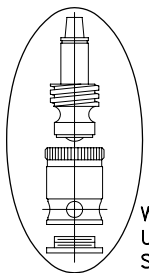
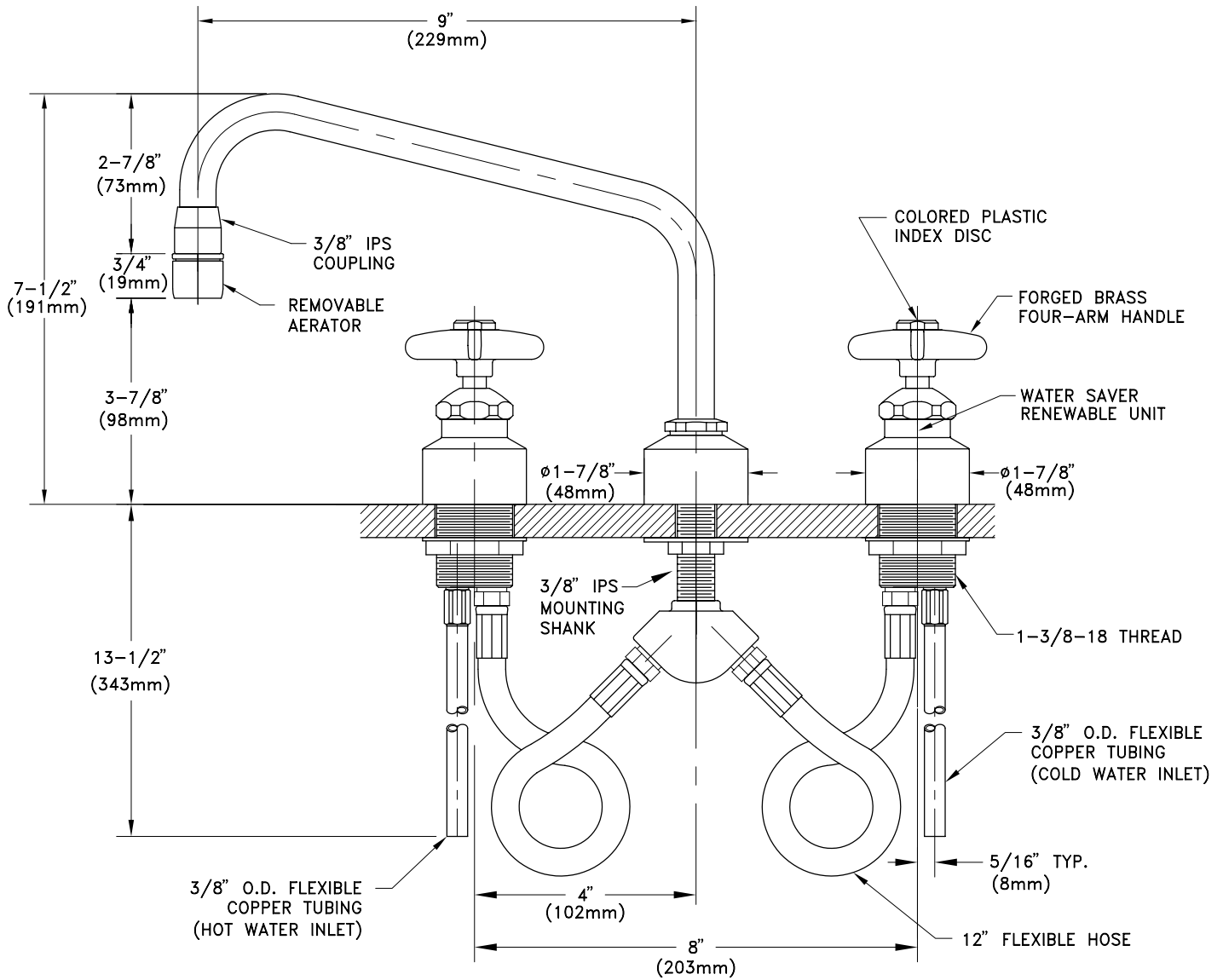
# L2211-8VB



# L2211VB55



# L2210 Laboratory Mixing Faucet, Deck Mounted, 9" Swing Spout

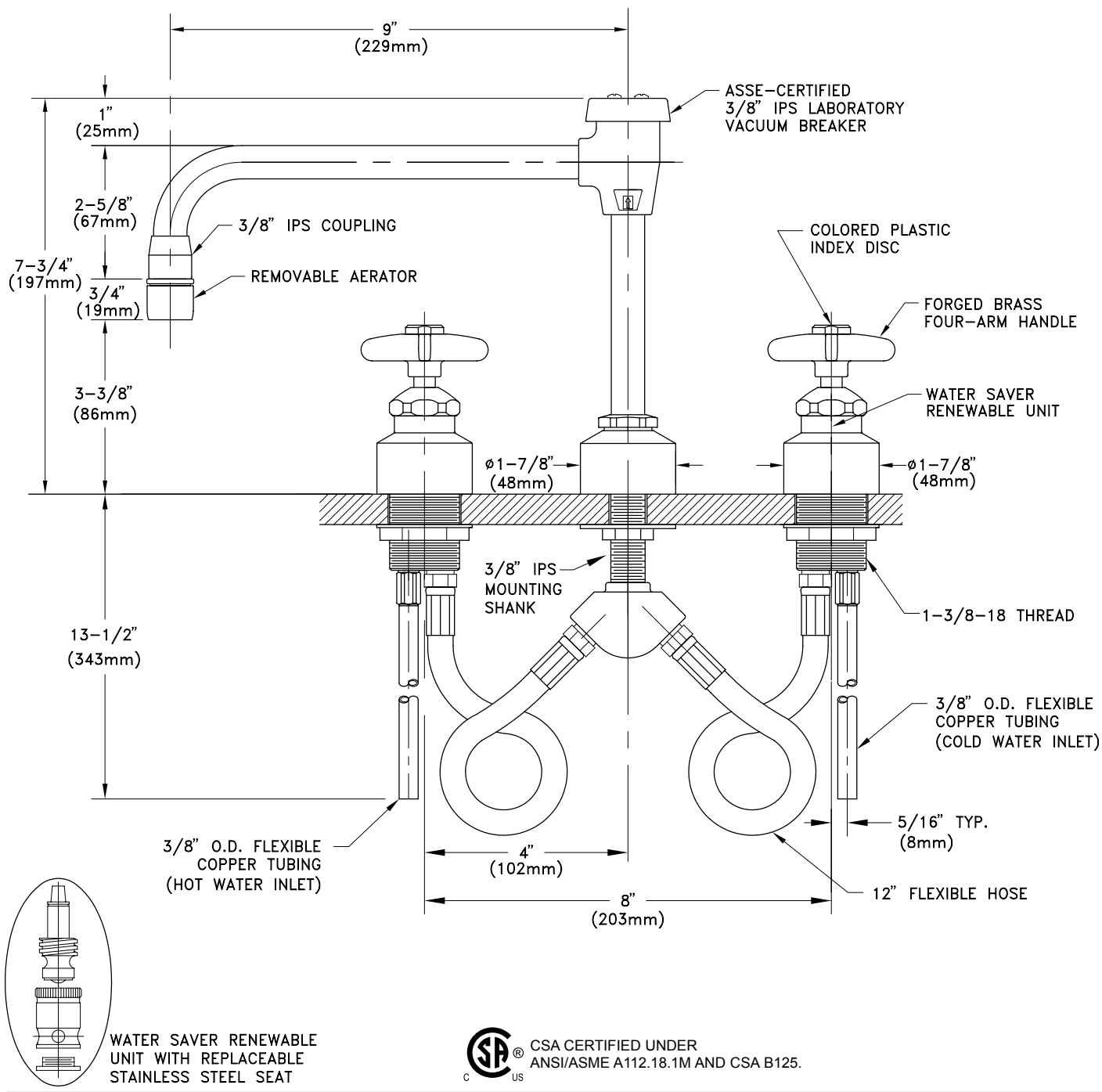


WATER SAVER RENEWABLE UNIT WITH REPLACEABLE STAINLESS STEEL SEAT

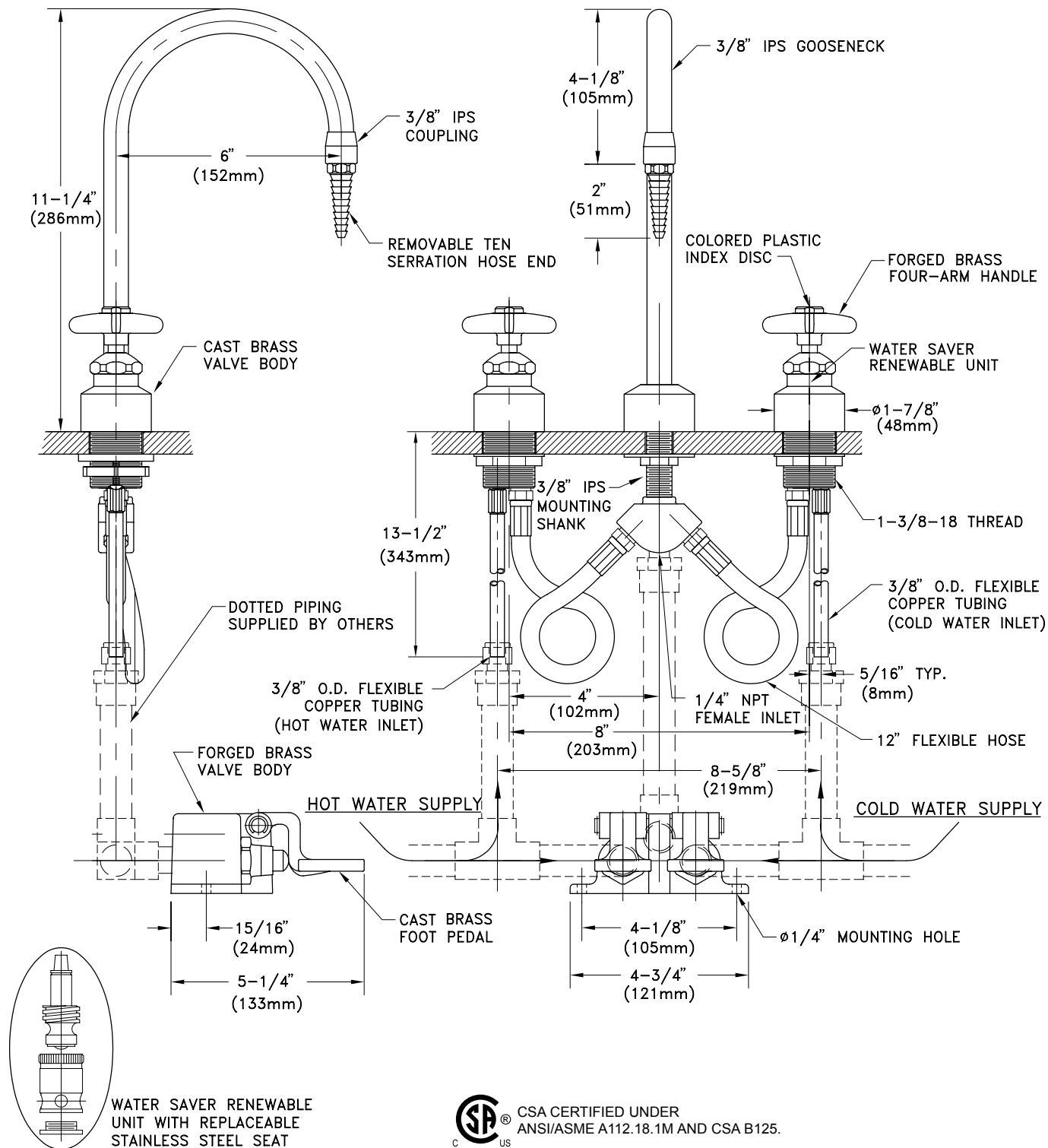


CSA CERTIFIED UNDER ANSI/ASME A112.18.1M AND CSA B125.

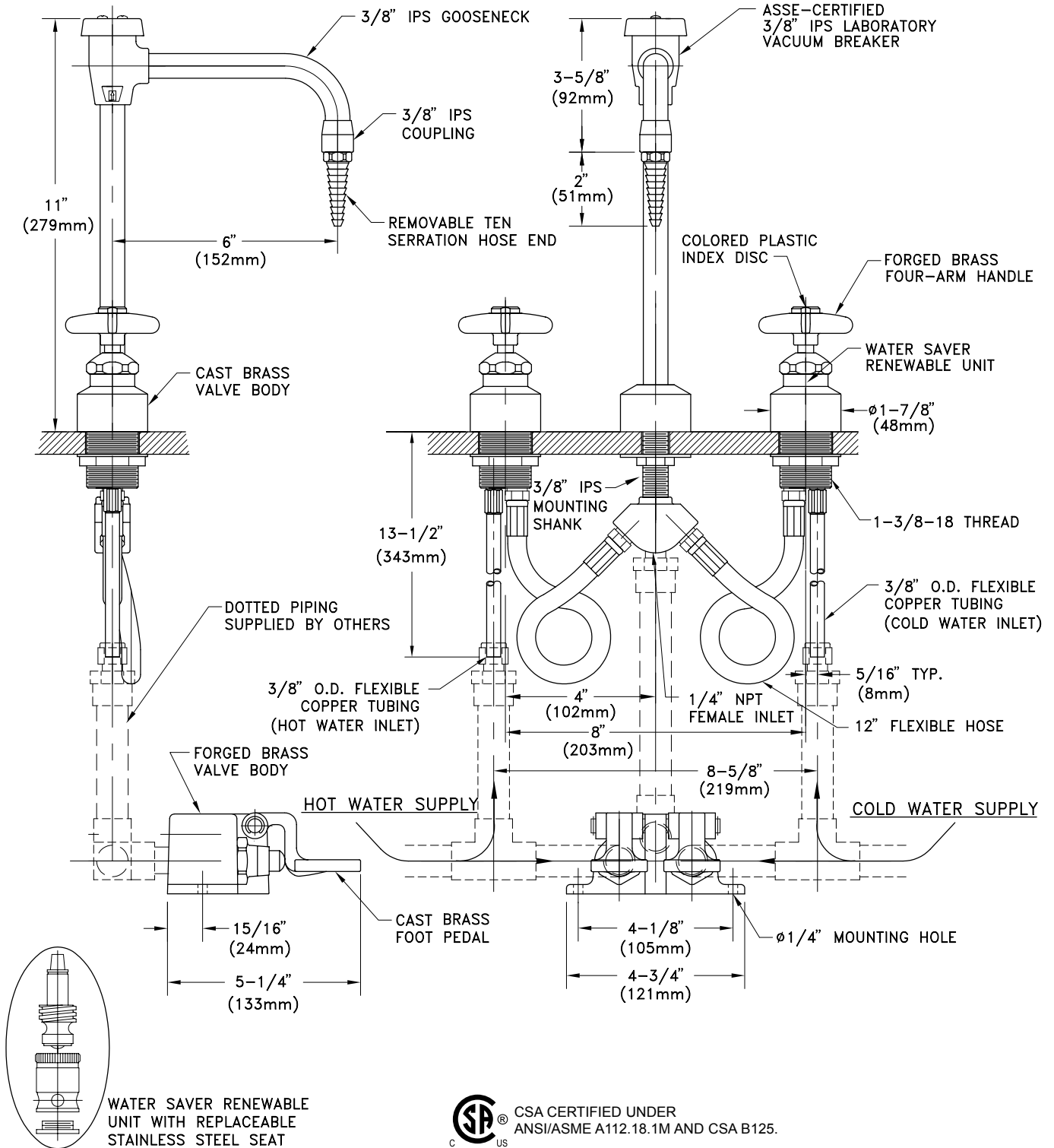
# L2210VB Laboratory Mixing Faucet, Deck Mounted, 9" Swing Vacuum Breaker Spout



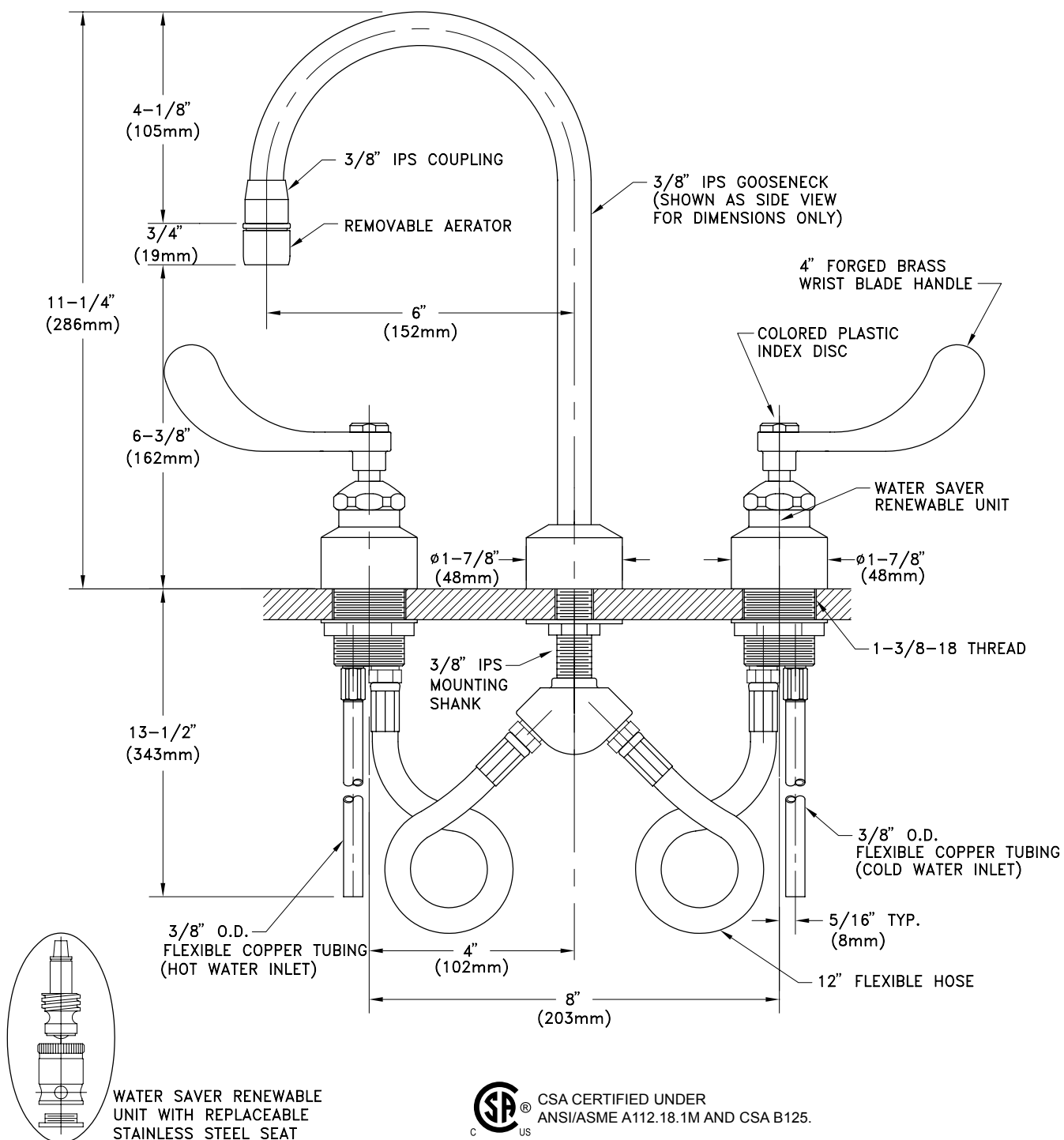
**L2211TWI-3001** Laboratory Mixing Faucet, Deck Mounted, 6" Rigid Gooseneck, with Floor Mounted Foot-Operated Self-Closing Mixing Valve



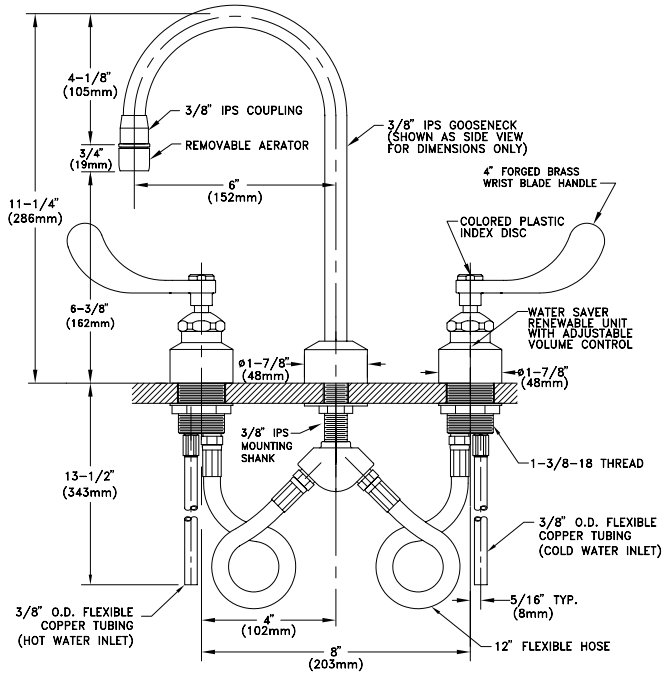
**L2211VB-TWI-3001** Laboratory Mixing Faucet, Deck Mounted, 6" Rigid Vacuum Breaker  
 Gooseneck, with Floor Mounted Foot-Operated Self-Closing Mixing Valve



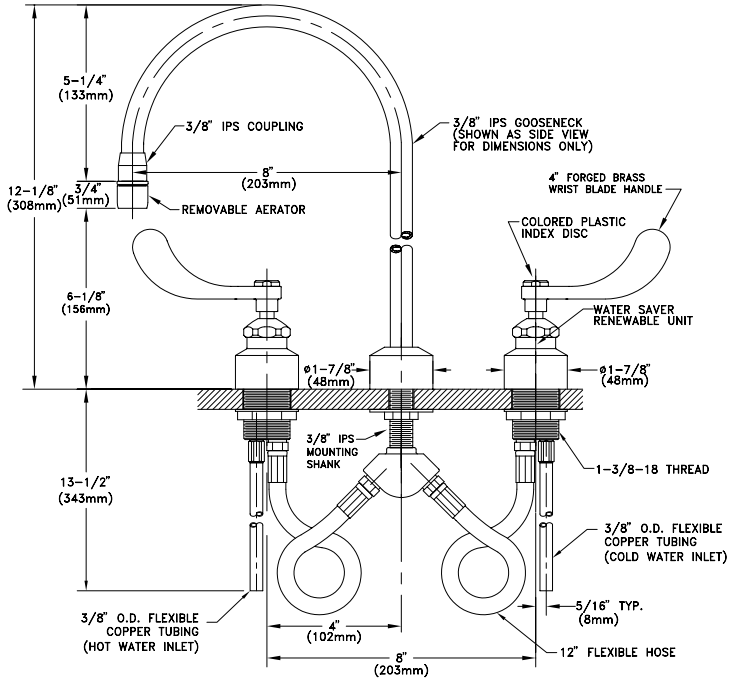
- L2221** Mixing Faucet, Deck Mounted, 6" Rigid Gooseneck with Aerator
- L2222** Mixing Faucet, Deck Mounted, 6" Swing Gooseneck with Aerator
- L2224** Mixing Faucet, Deck Mounted, 6" Rigid/Swing Gooseneck with Aerator



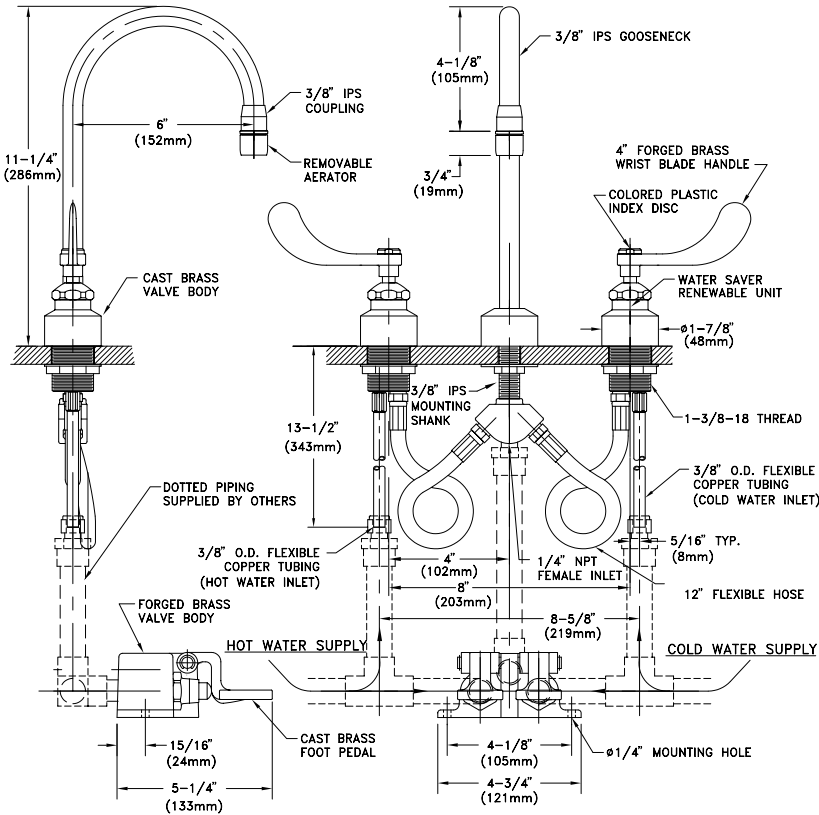
# L2221AC



# L2221-8

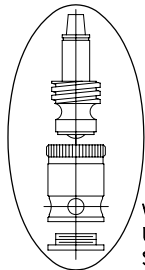
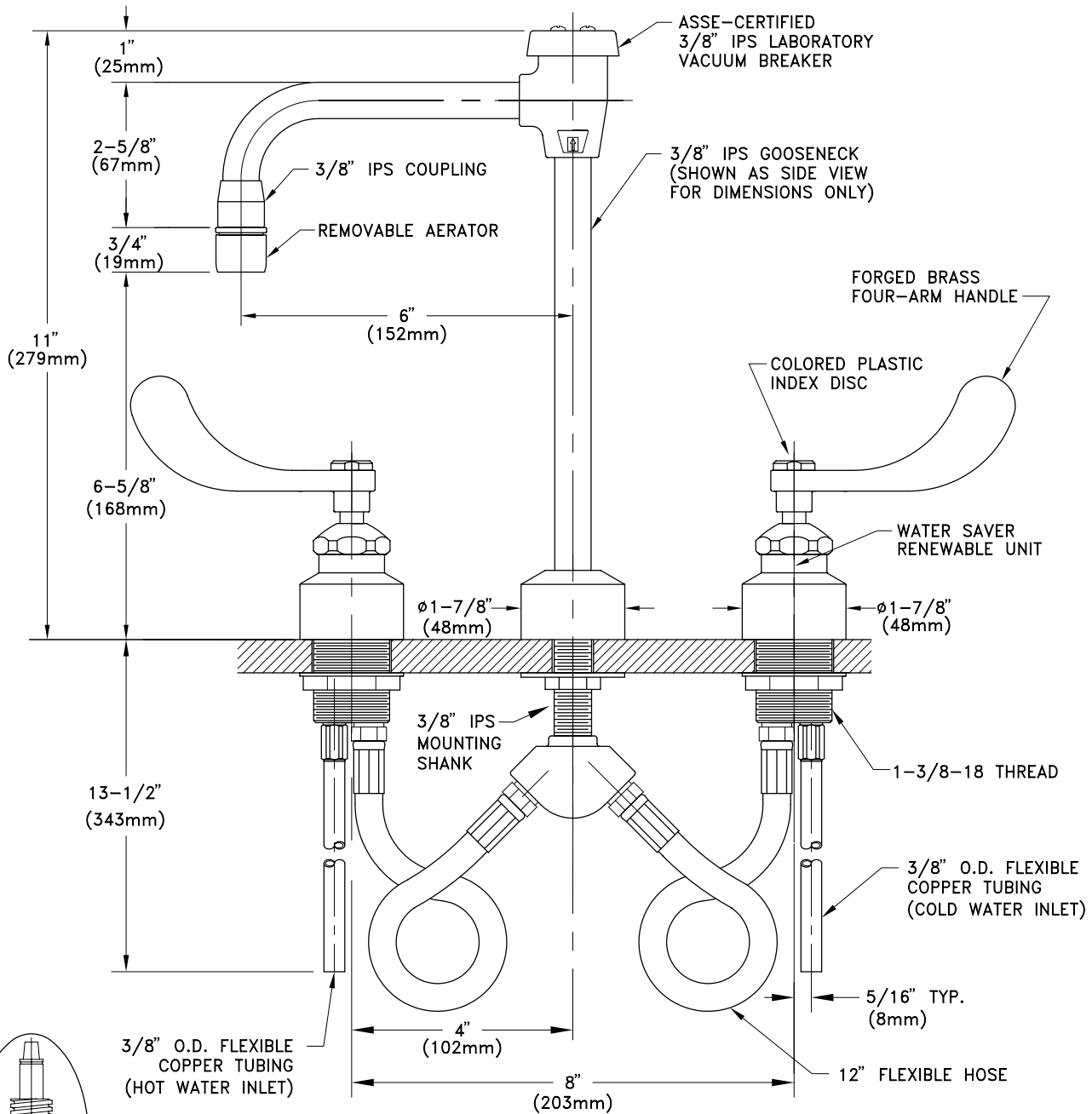


# L2221TWI-3001





**L2221VB** Mixing Faucet, Deck Mounted, 6" Rigid Vacuum Breaker Gooseneck with Aerator  
**L2222VB** Mixing Faucet, Deck Mounted, 6" Swing Vacuum Breaker Gooseneck with Aerator  
**L2224VB** Mixing Faucet, Deck Mounted, 6" Rigid/Swing Vacuum Breaker Gooseneck with Aerator

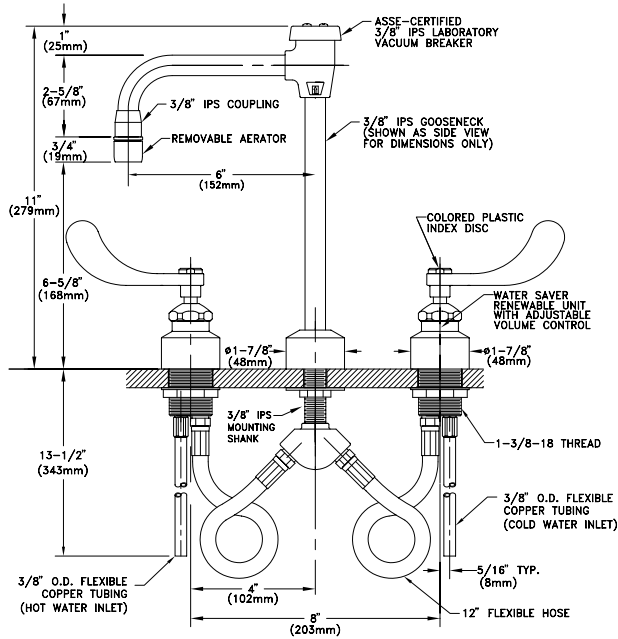


WATER SAVER RENEWABLE UNIT WITH REPLACEABLE STAINLESS STEEL SEAT

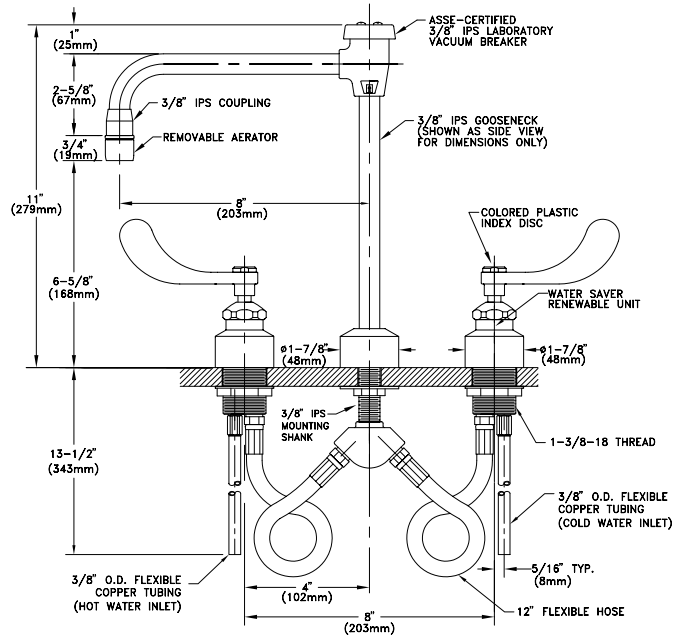


CSA CERTIFIED UNDER ANSI/ASME A112.18.1M AND CSA B125.

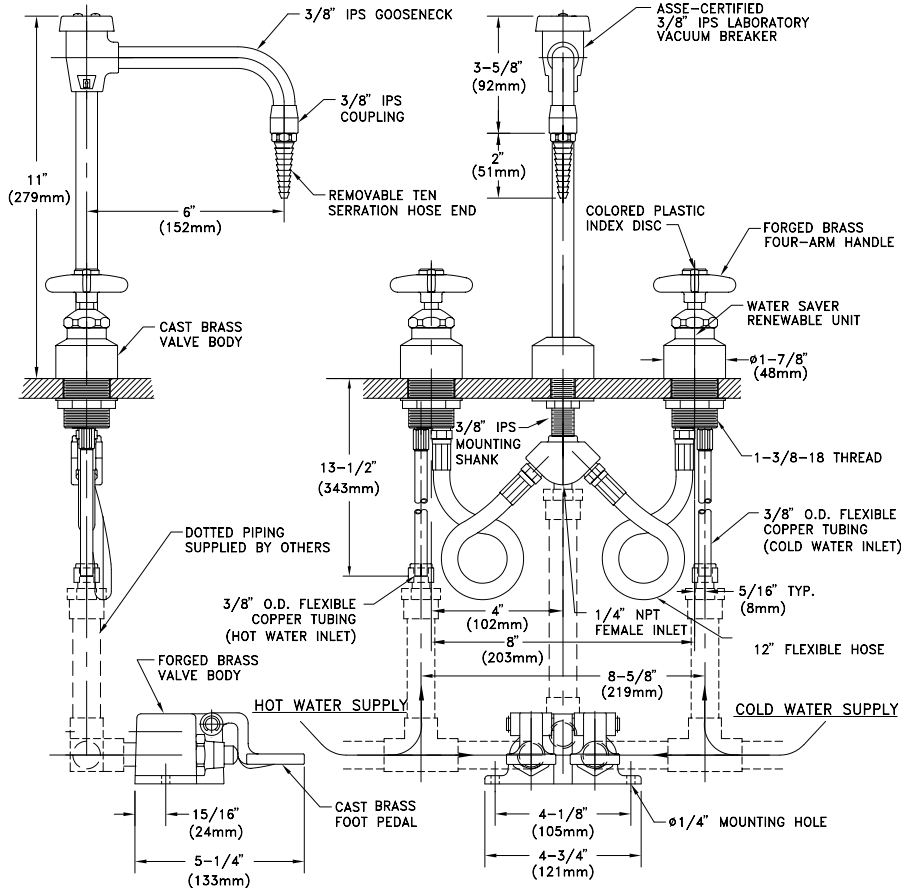
# L2221AC-VB



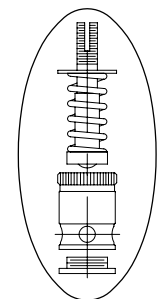
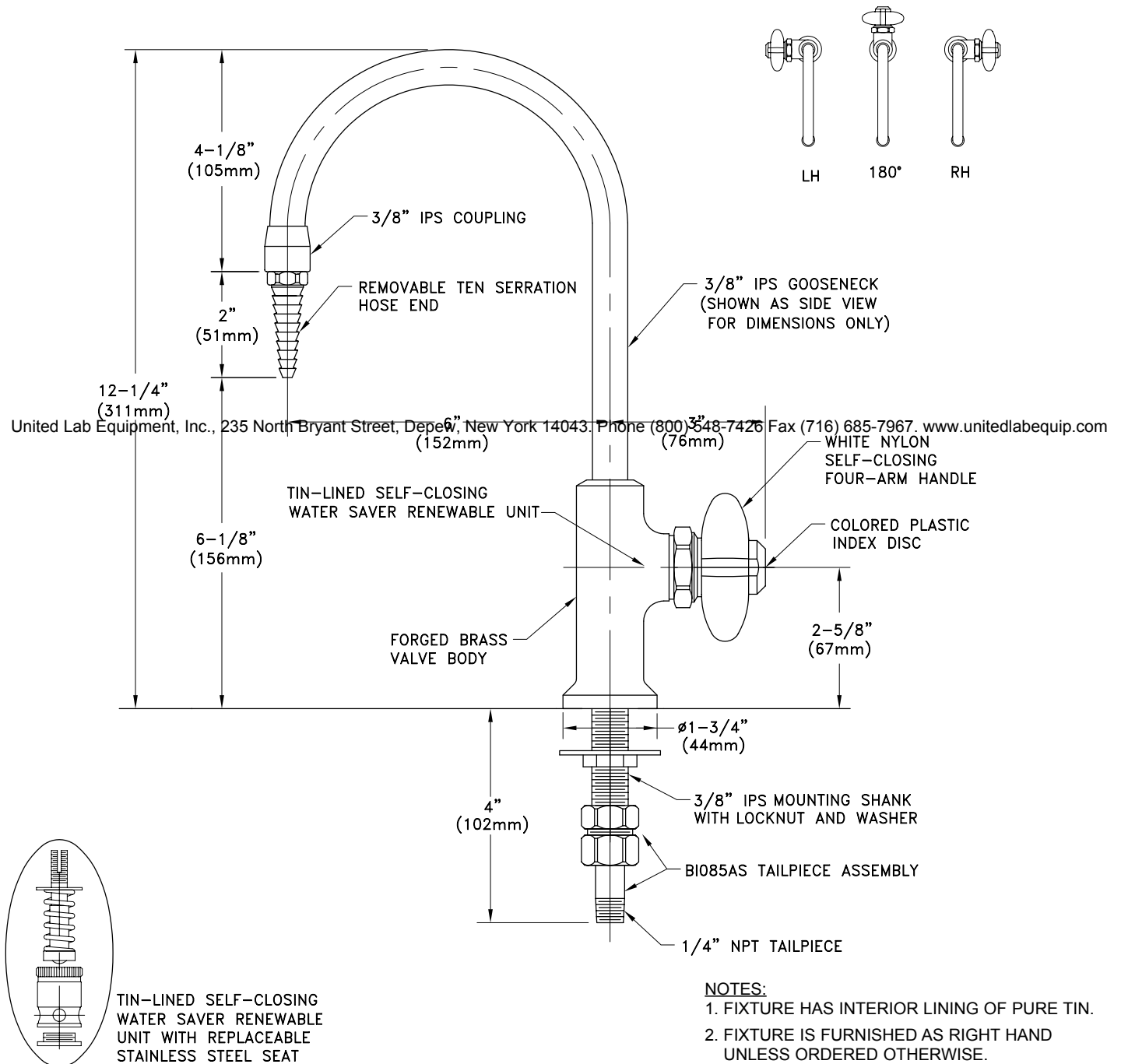
# L2221-8VB



# L2221VB-TWI-3001

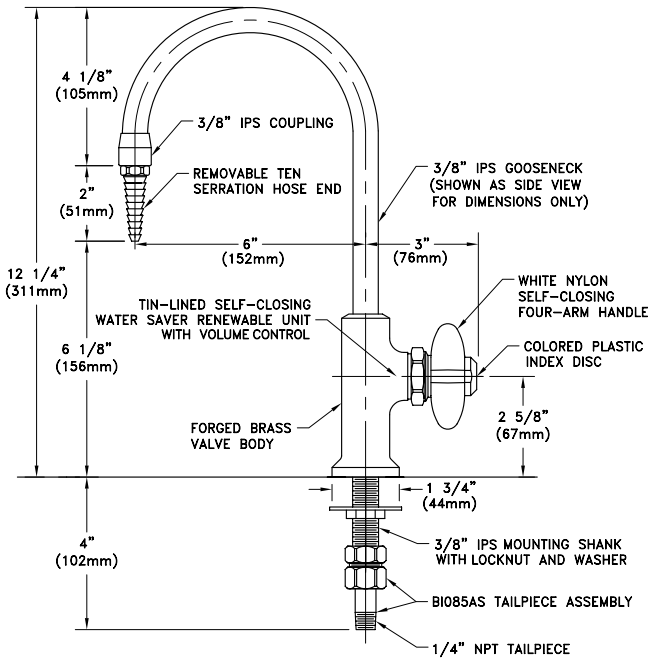


- L681** Pure Water Faucet, Tin-Lined Brass, Deck Mounted, Self-Closing, 6" Rigid Gooseneck  
**L682** Pure Water Faucet, Tin-Lined Brass, Deck Mounted, Self-Closing, 6" Swing Gooseneck  
**L684** Pure Water Faucet, Tin-Lined Brass, Deck Mounted, Self-Closing, 6" Rigid/Swing Gooseneck

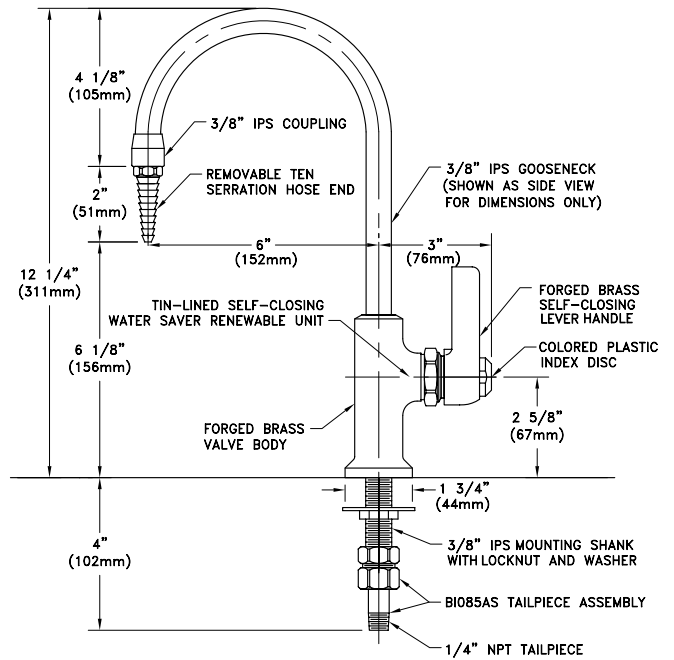


TIN-LINED SELF-CLOSING WATER SAVER RENEWABLE UNIT WITH REPLACEABLE STAINLESS STEEL SEAT

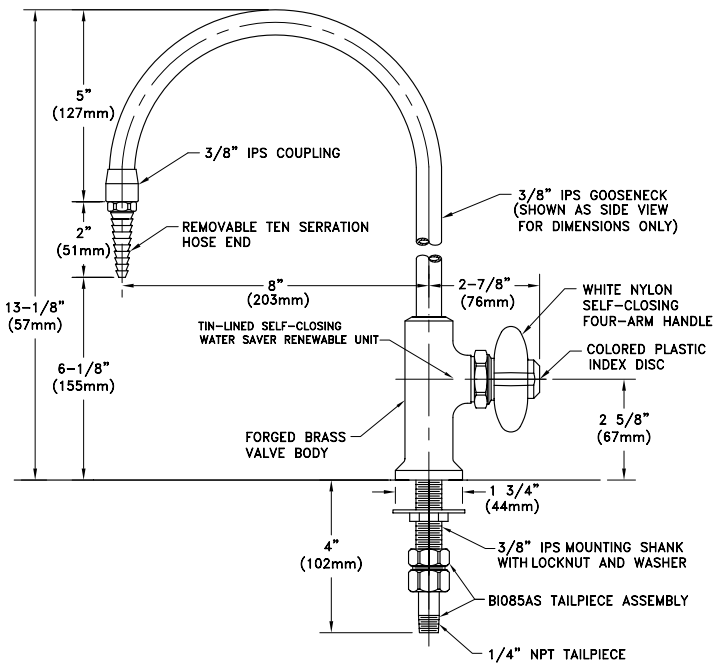
# L681AC



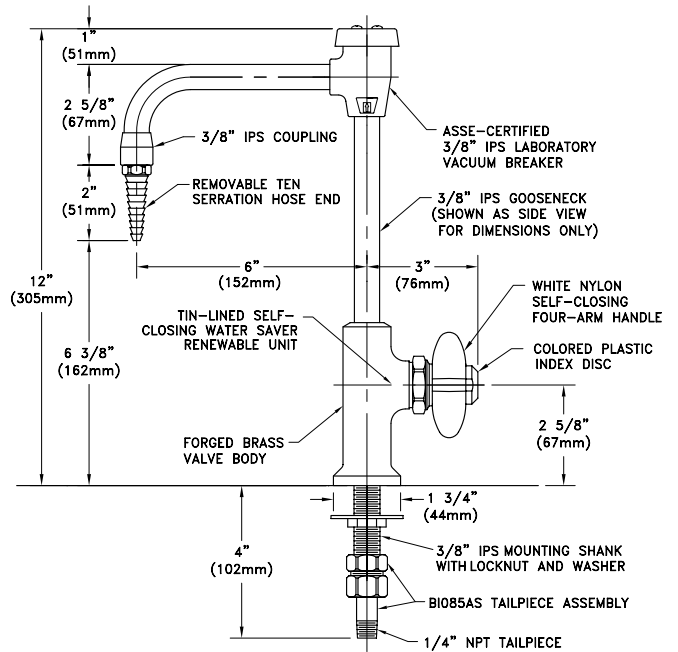
# L681LE



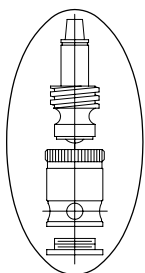
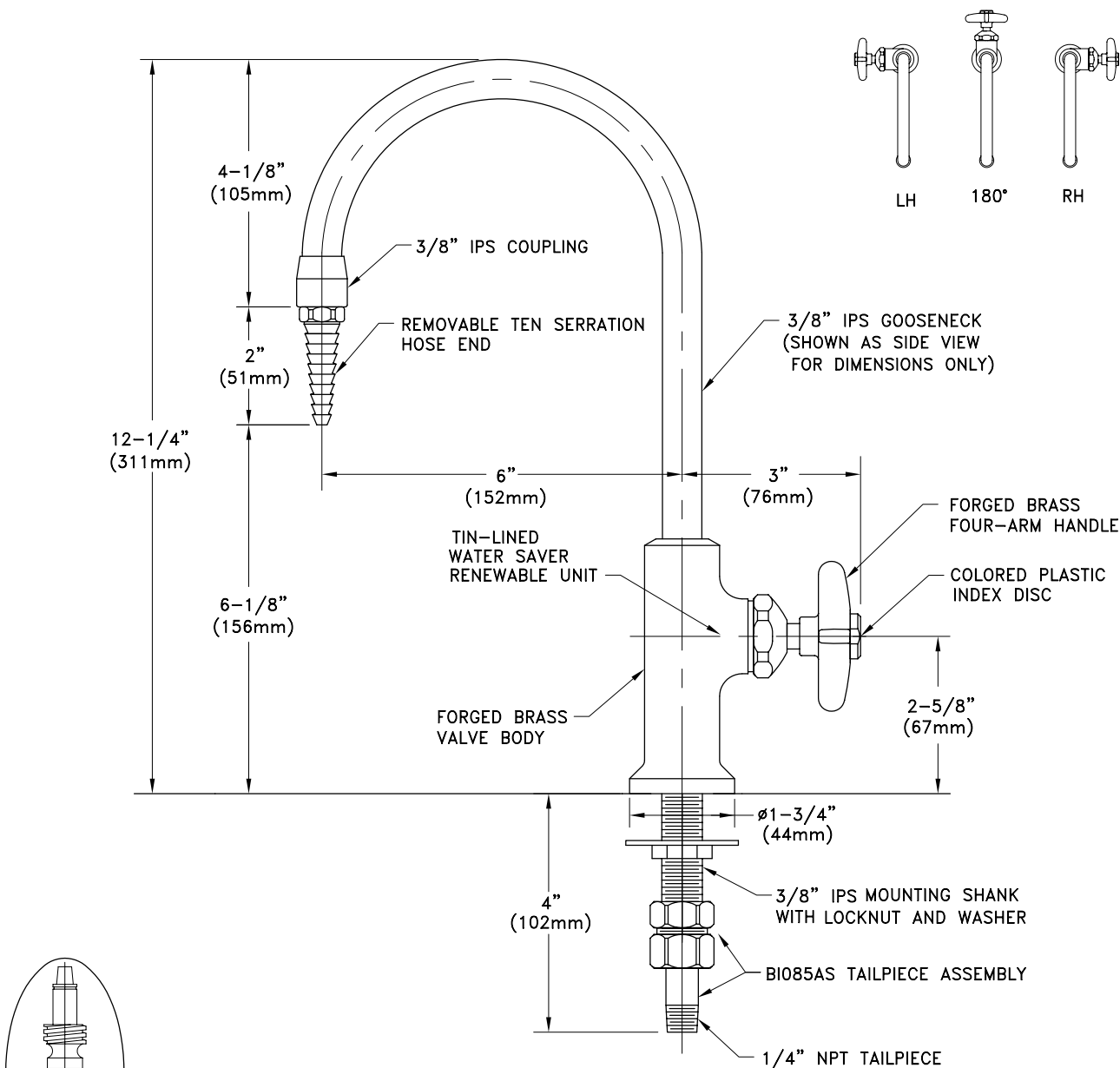
# L681-8



# L681VB



- L691** Pure Water Faucet, Tin-Lined Brass, Deck Mounted, Manual Control, 6" Rigid Gooseneck  
**L692** Pure Water Faucet, Tin-Lined Brass, Deck Mounted, Manual Control, 6" Swing Gooseneck  
**L694** Pure Water Faucet, Tin-Lined Brass, Deck Mounted, Manual Control, 6" Rigid/Swing Gooseneck

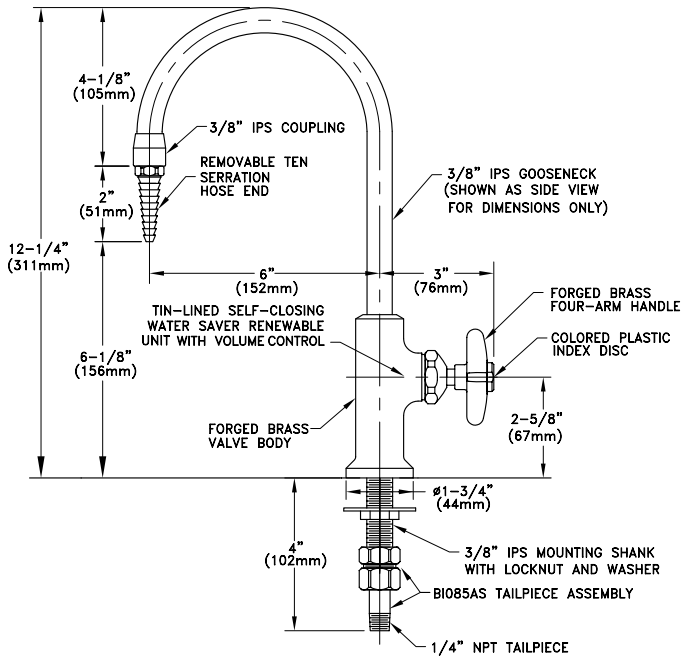


TIN-LINED WATER SAVER RENEWABLE UNIT WITH REPLACEABLE STAINLESS STEEL SEAT

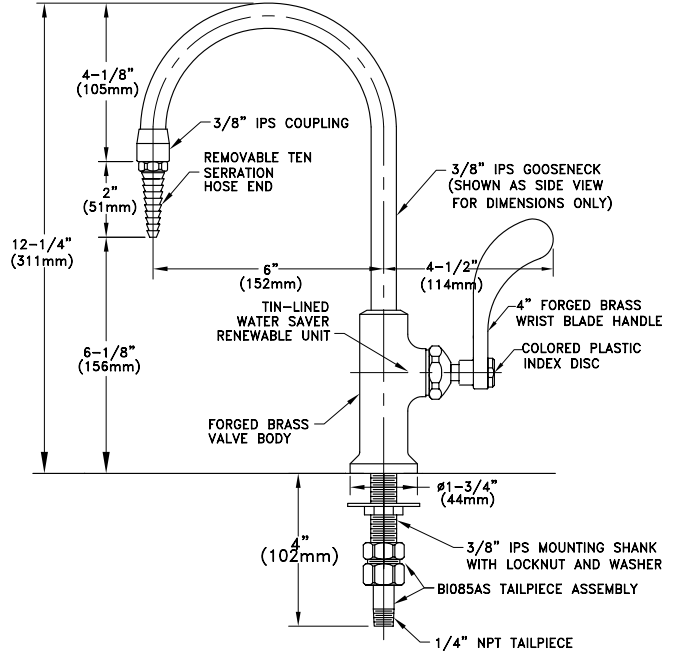
**NOTES:**

1. FIXTURE HAS INTERIOR LINING OF PURE TIN.
2. FIXTURE IS FURNISHED AS RIGHT HAND UNLESS ORDERED OTHERWISE.

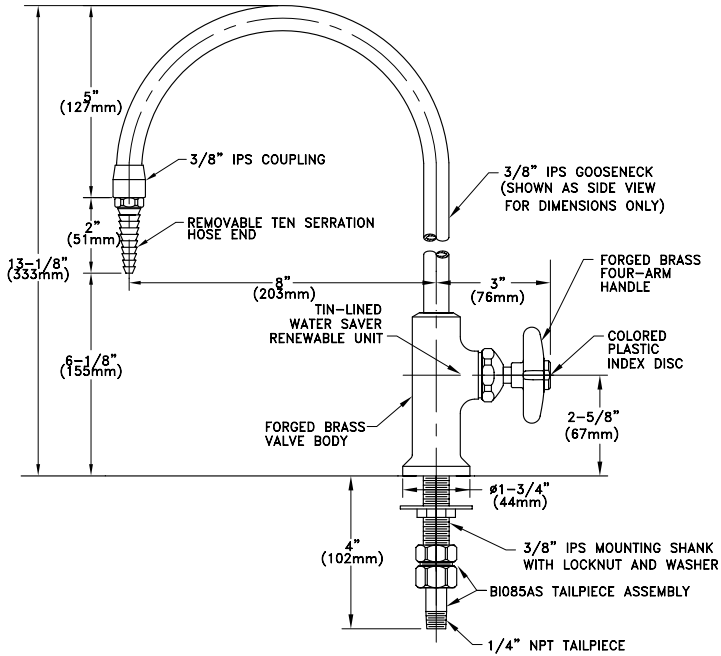
# L691AC



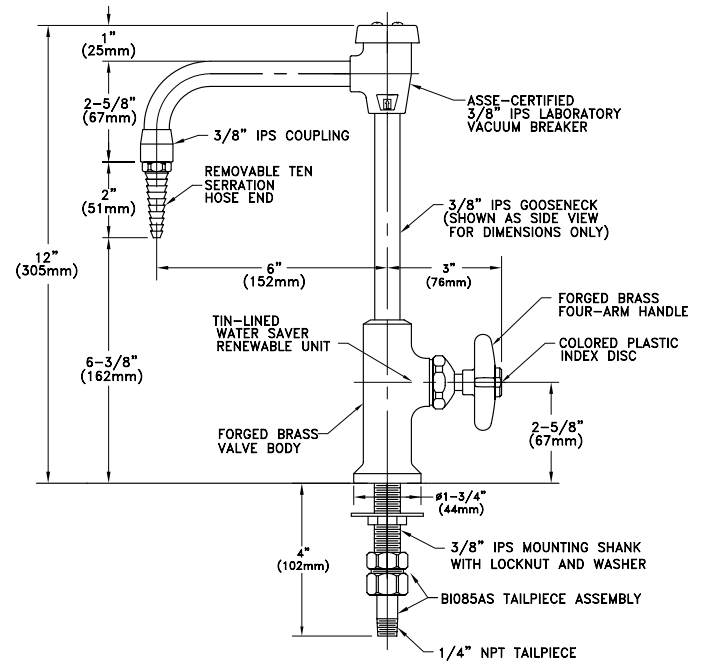
# L691BH



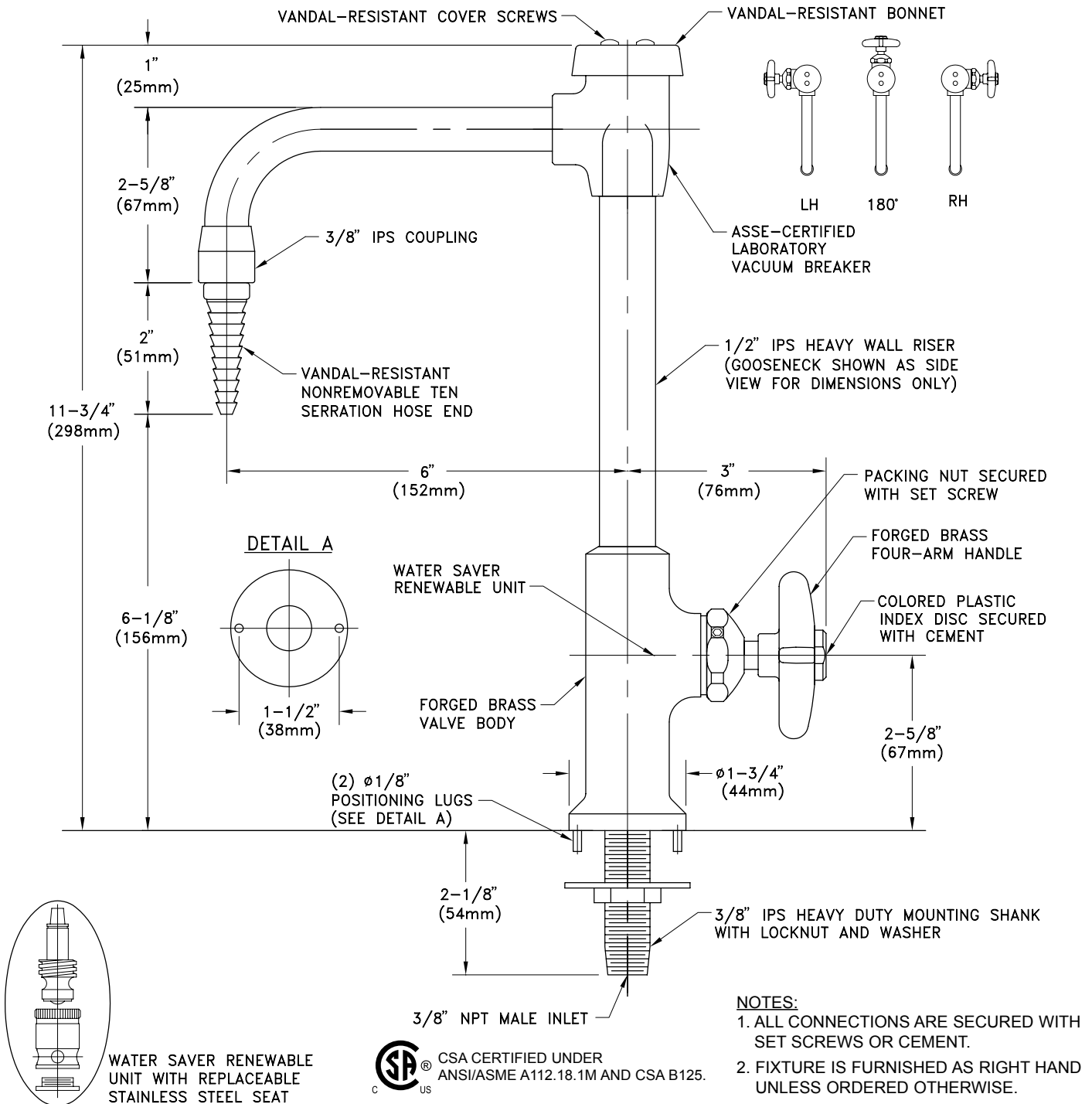
# L691-8



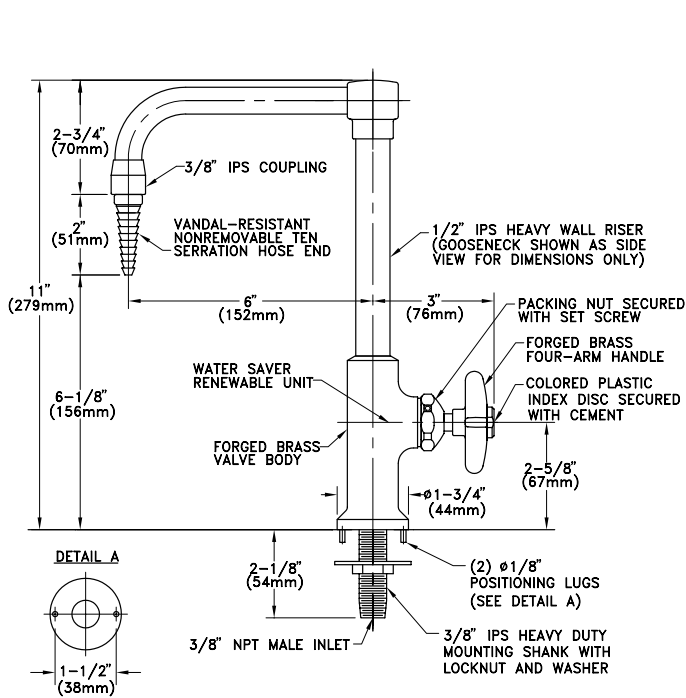
# L691VB



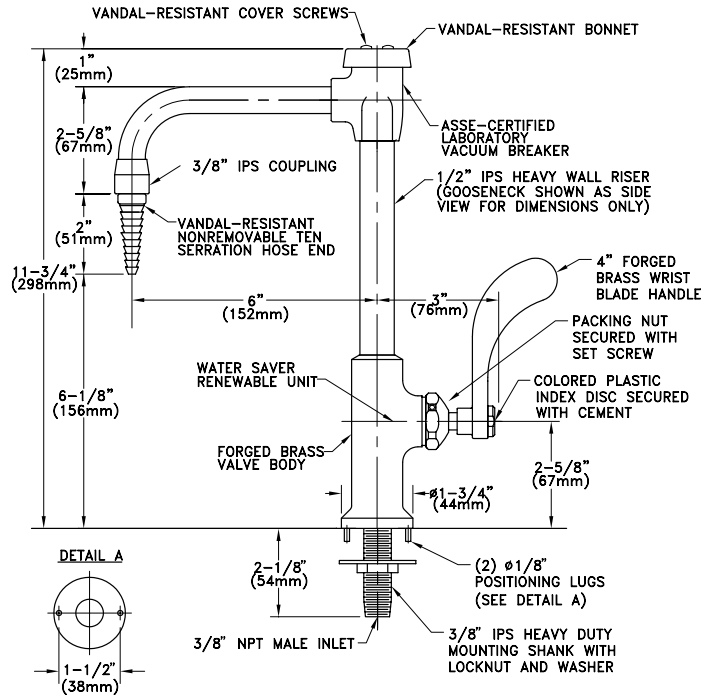
**VR611VB** Vandal-Resistant Laboratory Single Faucet, Deck Mounted,  
6" Rigid Vacuum Breaker Gooseneck



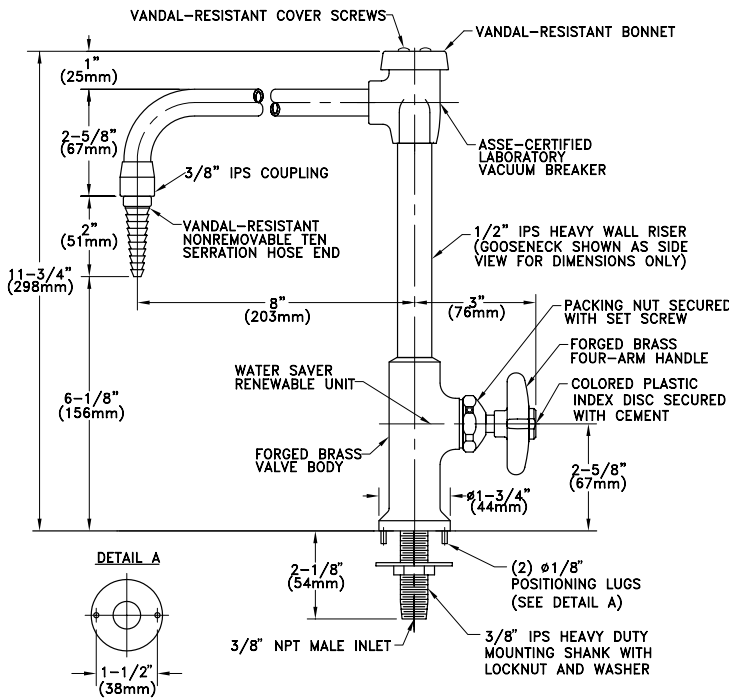
# VR611



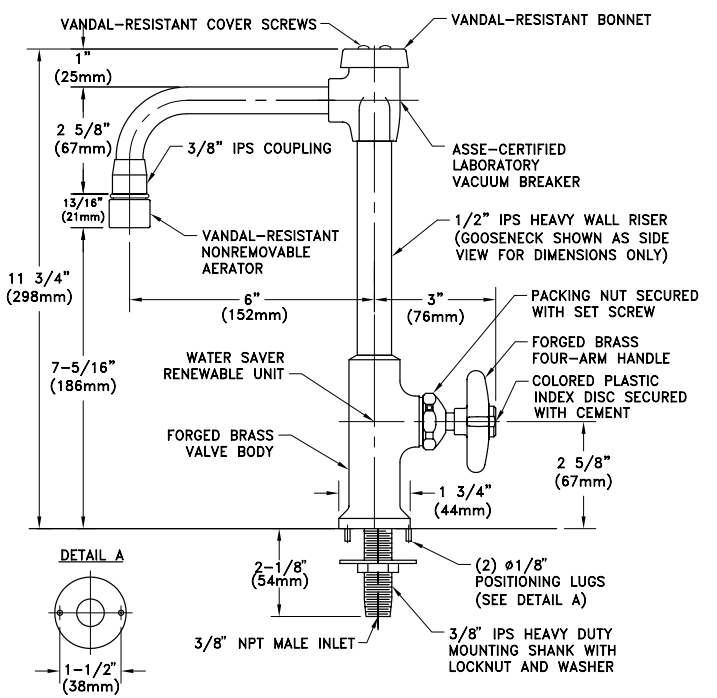
# VR611VB-BH



# VR611-8VB

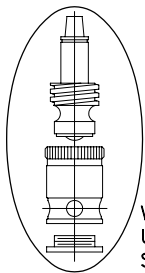
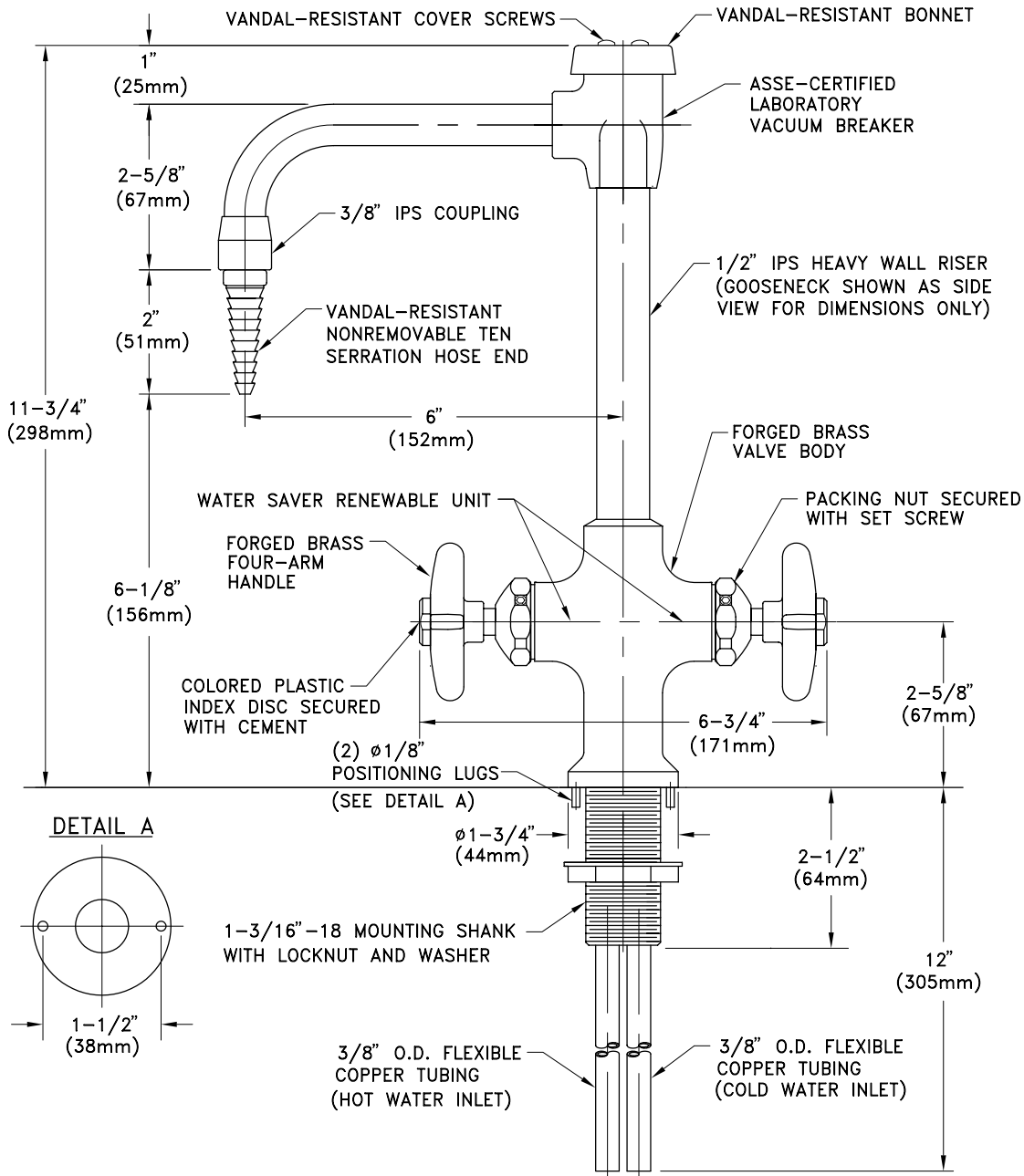


# VR611VB55





**VR411VB** Vandal-Resistant Laboratory Mixing Faucet, Deck Mounted,  
6" Rigid Vacuum Breaker Gooseneck

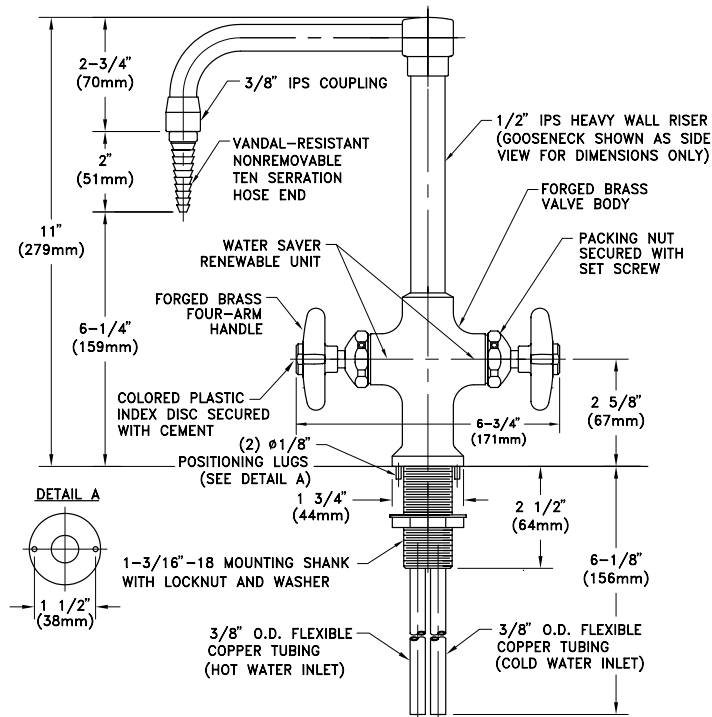


WATER SAVER RENEWABLE UNIT WITH REPLACEABLE STAINLESS STEEL SEAT

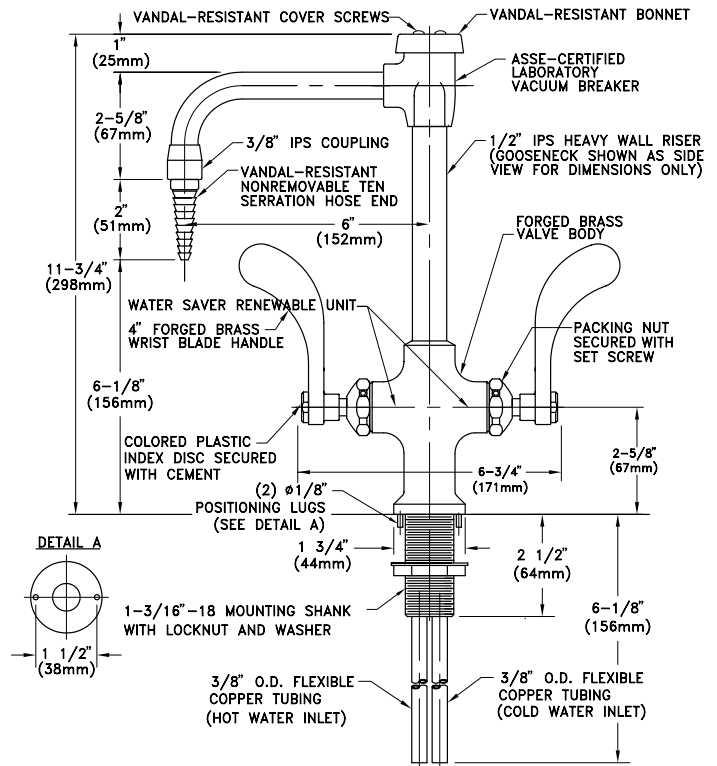
**CSA** CSA CERTIFIED UNDER ANSI/ASME A112.18.1M AND CSA B125.

**NOTE:** ALL CONNECTIONS ARE SECURED WITH SET SCREWS OR CEMENT.

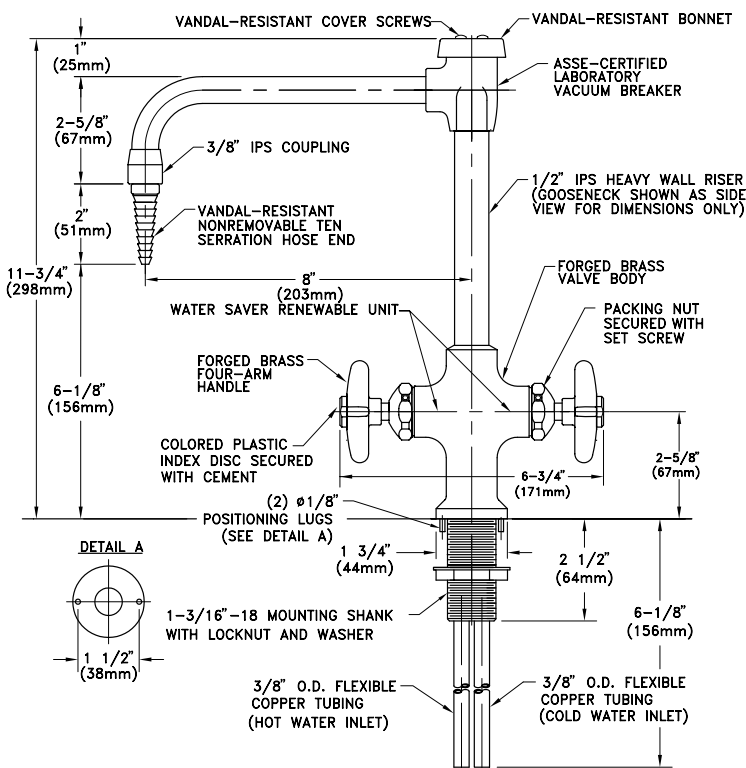
# VR411



# VR411VB-BH



# VR411-8VB



# VR411VB55

