



AMERICAN ALUMINUM
ACCESSORIES, INC.

Product Catalog

3291 U.S. HWY. 19 SOUTH, PERRY, FL. 34348 | WWW.EZRIDERONLINE.COM | 800.277.0869

About American Aluminum

Thank you for your interest in American Aluminum Accessories, Inc. We manufacture a wide variety of products from high-quality toolboxes to an extensive line of products designed to meet the ever-changing needs of the Law Enforcement Community.



In 1989, we began as a manufacturer of our superior quality CamLocker toolboxes. In 1992, due to the demand for safe, secure transport for a nearby Law Enforcement Department's canine, we introduced the very first in-vehicle **E/Z RIDER K-9 Container**.

We have continuously grown and expanded our products, catering to the needs and wants of our valued customers and high-profile clientele. Over the years as your needs have changed, we have evolved and expanded our products to include **Inmate Transport Systems, Vault Systems, K-9 Training Aids, Contraband Containment** and **Animal Control Systems**, to name a few.

We strive daily to manufacture the finest products available and we always welcome the input you provide to continue on our improvements. We would like to thank each and every one of our valued customers. It is with our deepest appreciation we thank you, the Law Enforcement Community for your dedication and service.

We look forward to serving you.

Sincerely,

Thomas A. Swain

CEO of American Aluminum Accessories, Inc.

"Protecting those who Protect Us"

We believe in service and satisfied customers. A technical department backs up every product we build.

When you receive one of our products, should a problem arise, please do not hesitate to contact us at: 1-800-277-0869 (Technician schedule M-F 8AM-3:30 p.m. We will direct your call to the appropriate technician to assist you with your need.)

For Custom Manufacturing Inquiries please contact our Sales Manager, Alan Dodimead. He can be reached at aland@aaa-mail.com or by phone at 800-277-0869 Ext. 1201.



Our Staff at American Aluminum Accessories Inc.

We take our products and service very seriously. We are committed to serving you, our customer. Please let us know how our Customer Care Team can help you.

Customer Care Center:

Toll Free#: 800.277.0869

Local#: 850.584.3969

Fax#: 850.584.8485

Monday to Friday 8:00am to 4:30pm (EST)

Customer Service, Purchasing or Quote Assistance On All Law Enforcement Products:

Alan Dodimead

Sales Manager – Law Enforcement

Email: aland@aaa-mail.com

Phone: 800.277.0869 ext. 1201

Morgan Smith

Sales Manager – Tool Box Division

Email: morgans@aaa-mail.com

Phone: 800.277.0869 ext.: 2205

Marie Helton

Sales Team Member

Email: marieh@aaa-mail.com

Phone: 800.277.0869 ext.: 1208

Daniel Merry

Sales Team Member

Email: danielm@aaa-mail.com

Phone: 800.277.0869 ext.: 1209

Nick Allbritton

Sales Team Member

Email: nicka@aaa-mail.com

Phone: 800.277.0869 ext.: 1207

Our Family of Products





HANDLERS CHOICE





HANDLERS CHOICE

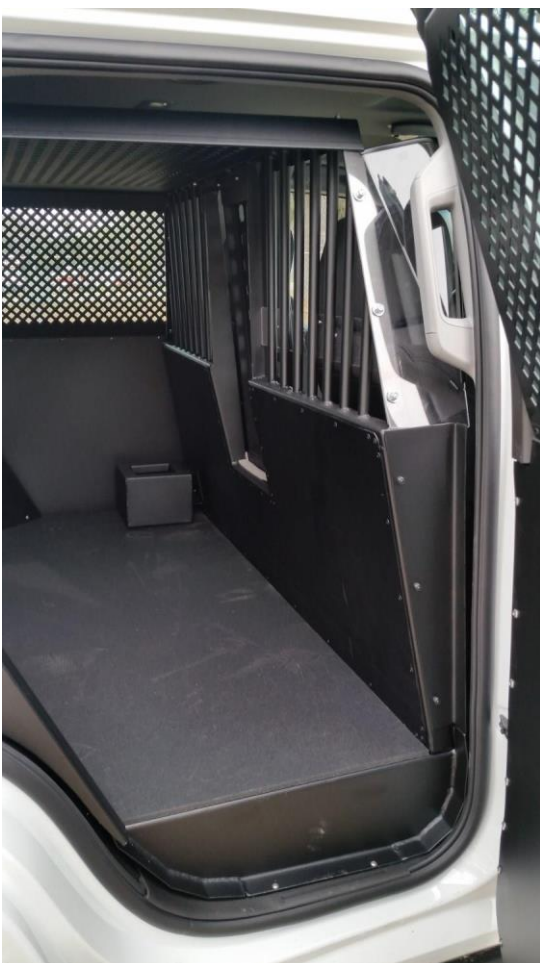
The Original E/Z Rider K9 Platform unit is fully contoured for vehicle specific, perfect fit. Front Panel made of mill finish aluminum, fully welded with double-walled front panels and Polycarbonate head rest protectors and round vertical bars. Front sliding emergency escape door on sliding track with spring loaded locking system. The K9 Insert made of .125 mill finish aluminum, fully welded with vertical front bars for maximized visibility and strength. Seamless Base Pan fully welded and specific fit contouring to allow K9 leg safe ease upon entry and exit. Base extends door sill to door sill utilizing all available space and allowing for easy rinsing and cleaning without damage to vehicle. Canopy with punch design (SUV's only) allows for maximum airflow from vehicles with existing factory rear A/C and heat. All platform units include perfectly contoured Steel Window Guards and Aluminum Door Panels. Window Guards are powder coated black and hinged on bottom to allow for easy cleaning and maintenance. Door Panels are contoured, smooth, fast design for ease of install. Complete Hardware kit with installation instructions included.



Interceptor Sedan

- Powder coat was tested for a 1000 hour Salt Fog Chamber. Test per ASTM B117 was completed on 5/12/2012 and our powder coating process was rated Excellent.
- Our E/Z-Rider Platform System (performed on a F150 truck & Interceptor SUV) tested for roof mounted airbag deployment compatibility and our system was rated Excellent.
Test performed by Karco Engineering.
- Sedan models weight 280lbs. SUV models weight 320lbs

2015 Tahoe



Interceptor SUV



E/Z Rider Platform Systems - Models Available

***Vehicle not listed, please call 800-277-0869, 8:00 am – 4:30 pm EST**

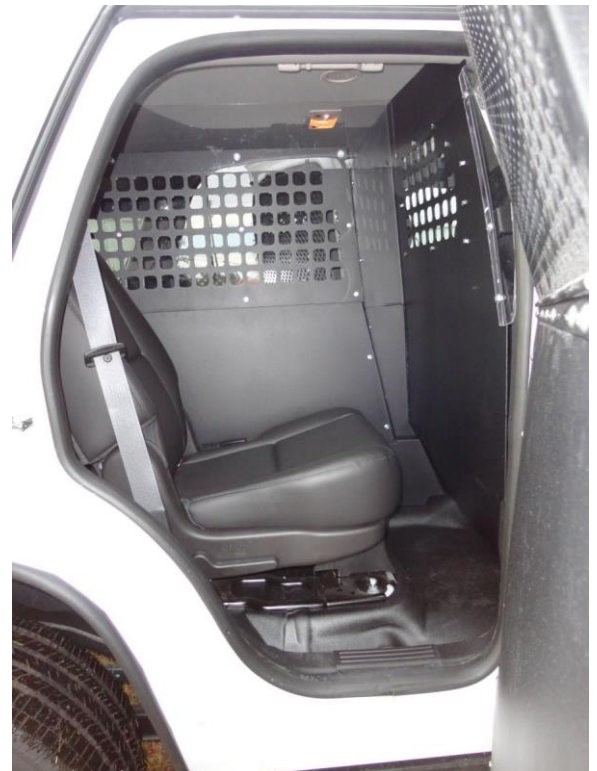
Vehicle	Item Code	Measurements	Years available
Charger	EZPF_CHARGER	58" W x 27" D x 34"H	2005-2015
Chevy 4D Truck	EZPF_CHCCAB	62" W x 29" D x 40"H	2004-2015
FCV	EZPF_FCV	58" W x 28" D x 34"H	1992-1997*/1998-2012
	EZPF_FCV W FIRE	Please advise if FCV has Fire Suppression System. Height of the K-9 Insert will be (-3").	
Dodge 4D Truck *Crew Cab*	EZPF_DOCCAB	64" W x 33" D x 40"H	2004-2015
Dodge 4D Truck *Quad Cab*	EZPF_DOQCAB	65" W x 28" D x 40"H	2004-2015
Durango	EZPF_DURANGO	57" W x 29" D x 40"H	2004-2015
Escape	EZPF_ESCAPE	52" W x 27" D x 35"H	2008-2015
Expedition	EZPF_EXPD	63" W x 29" D x 41"H	1998-2015
	EZPF_EXPDEXT	63" W x 48" D x 41"H must purchase E/Z-Divider.	1998 - 2015
Expedition EL Model	EZPF_EXPD_EL	63" W x 33" D x 41"H	2006-2012
Explorer	EZPF_EXPLORER	51" W x 27" D x 35"H	1995-2010
Interceptor SUV	EZPF_INTERC.SUV	52"W x 26"D x 40"H	2011-2015
	EZPF_INTERC.SUVEXT	52"W x 40"D x 37"H	2011-2015
Interceptor Sedan	EZPF_INTERC.SEDAN	55"W x 28.5"D x 33"H	2012-2015
Ford F-150 *Crew Cab*	EZPF_F150	62" W x 27" D x 34"H	2002-2015
Ford F-250 *Crew Cab*	EZPF_F250/350	63" W x 28" D x 34"H	2002-2015
Ford F-350 *Crew Cab*	EZPF_F250/350	63" W x 28" D x 34"H	2004-2015
Impala	EZPF_IMPALA	57" W x 26" D x 37"H	2000-2015
Grand Cherokee	EZPF_JEGRANDCHEROKEE	54.5"W x 27"D x 37"H	1997-2013
Jeep Cherokee	EZPF_JECHEROKEE	52" W x 41" D x 37"H	2003-2015
Jeep Liberty	EZPF_JELIBERTY	52"W x 27"D x 37"H	1998-2008/2014
Suburban	EZPF_SUBURBAN	62" W x 36" D x 37"H 63.5"W x 40"D x 37"H	1997- 2014 2015
	EZPF_SUBURBEXTENDED	62"W x 48"D x 37"H 63.5" w x 56"D x 34"H must purchase E/Z-Divider.	1997-2014 2015
Tahoe	EZPF_TAH28	61"W x 28" D x 40"H	1997-2014
	EZPF_TAHEXTENDED_00-14	61"W x 46" D x 40"H must purchase E/Z-Divider.	1997-2014
Tahoe	EZPF_TAH_15	63.5"W x 32"D x 42"H	2015
	EZPF_TAH_15_EXT	63.5"W x 44"D x 42"H must purchase E/Z-Divider.	2015





HANDLERS CHOICE

K9/Prisoner Insert



DRIVER SIDE K9 Deployment is standard

PASSENGER SIDE K9 Deployment is available only in certain models

E/Z-Rider 1/3 Prisoner 2/3 K-9 -MODELS AVAILABLE* K-9 Exits DRIVER SIDE



*Vehicle not listed, please call 800-277-0869, 8:00 am – 4:00 pm EST

Vehicle	Item Code	"K-9 side" Measurements	Years available
Caprice	EZIK-CAPRI	36"W x 28"D x 34"H	2011-2015
FCV	EZIK-FCV	36"W x 28"D x 34"H *Comes with aluminum prisoner seat and lap seat belt	1998-2012
Charger	EZIK-CHAR	36"W x 27"D x 33"H	2005-2010
Dodge Quad Cab	EZIK-DOQCAB	33"W x 42"D x 40"H	2004-2012
Dodge Crew Cab	EZIK-DOCCAB	33"W x 41.5"D x 40"H	2004-2015
Durango	EZIK-DURANGO	34"W x 29"D x "H	2004-2014
Expedition	EZIK-EXPD	37"W x 28"D x "H	2000-2015
Explorer	EZIK-EXPL	32"W x 48"D x 33"H *We do not sell 2006-2009	*2002-2005 and 2010 CAN-NOT have rear overhead air and MUST NOT have seat in the cargo area.
Silverado	EZIK_CHCCAB	37"W x 30"D x 40"H	2004-2015
Interceptor SUV	EZIK_I.SUV	33"W x 27"D x 40" H	2012-2015
F-150 *Crew Cab*	EZIK-F150	38"W x 28"D x 38"H *Comes with aluminum prisoner seat and lap seat belt	2004-2015
F-250 *Crew Cab*	EZIK-F-250/350	41"W x 28"D x 34"H *Comes with aluminum prisoner seat and lap seat belt	2002-2015
F-350 *Crew Cab*	EZIK-F-250/350	41"W x 28"D x 34"H *Comes with aluminum prisoner seat and lap seat belt	2004-2015
Suburban	EZIK_SUBURB	38"W x 36"D x 42"H	2002-2015
Tahoe	EZIK_TAH_04-14	49"W x 36"D x 35.5"H	2004-2014
Tahoe 2015	EZIK_TAH_2015	36"W x 48"D x 40"H	2015

E/Z-Rider 1/3 Prisoner 2/3 K-9 * K-9 Exits PASSENGER SIDE*

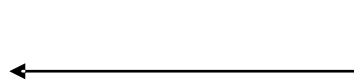
**Only available in these vehicles*

- Tahoe
- Interceptor
- F-150
- Expedition

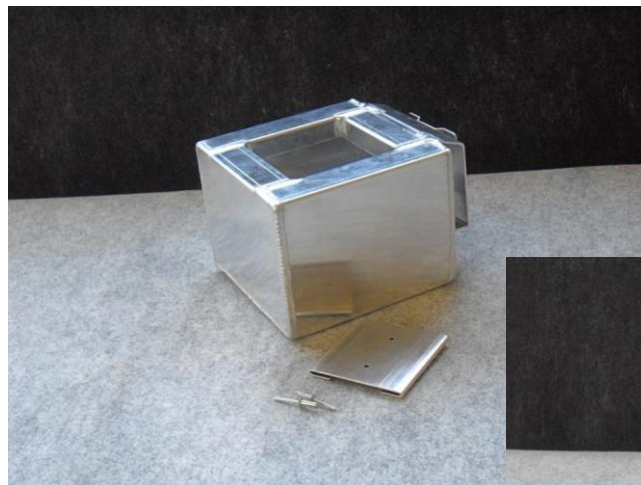
Accessories



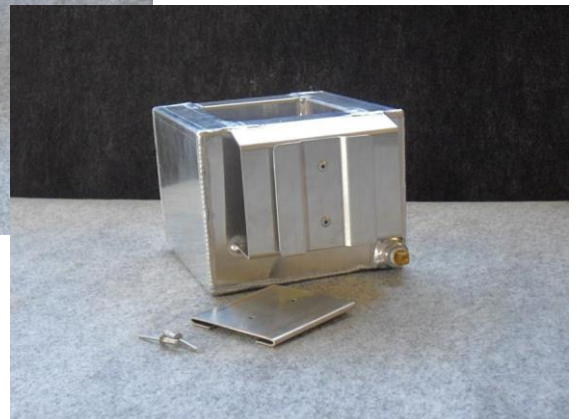
E/Z-Divider, for Platform Systems only,
vehicle specific, removable, lockable



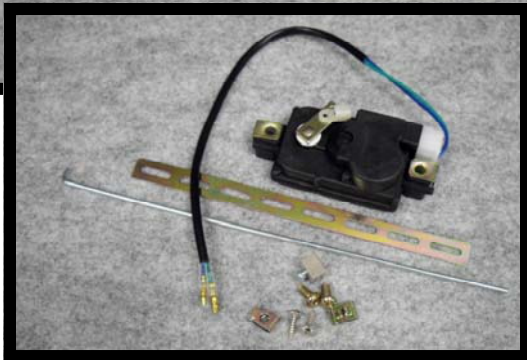
E/Z- Rubber mat, ½" thick,
custom fit rubber mat.



E/Z-Water dish, Spill proof, bracket mounted.
Capacity 1 Gallon.



R.E.S.C.U.E. System



Actuator motor and it's components are included and comes in *Driver Side or Passenger Side*, depending on if the model K-9 Transport System you are ordering or have in the Vehicle allows K-9 deployment from the vehicle on either side.

ELECTRONIC REMOTE DOOR OPENING SYSTEM

Allows the Officer to unlock and open the vehicle door and release the K-9 by remote transmitter.

Our **R.E.S.C.U.E. System**: Includes 2 (ONE RECESSED BUTTON) transmitters. Both are the same size. One has a pouch that can be worn on a utility belt. One has a ring to be placed on key chain.

CoolGuard System

IN-VEHICLE TEMPERATURE MONITOR & ALERT SYSTEM



This electronic monitor and alert system is designed to Keep Your Dog Alive
The secret:

A high volume window-mounted fan that is activated when temperature in vehicle is dangerously high.

- 1- AUTOMATIC FAN OUTPUT.
- 2- TWO (2) TEMPERATURE SELECTIONS 87 OR 92 DEGREES.
- 3- AUTOMATIC DUAL WINDOW DROP.
- 4- INCLUDES HIGH SPEED FAN.
- 5- COMPLETE 1-YEAR WARRANTY.



CoolGuard Pager
(Sold separately)



WARNING!!

The lethal temperature for an average size Law Enforcement K-9 is 103 to 107 degrees for approximately five (5) minutes.

CoolGuard will activate and rapidly cool the K-9 Partner when dangerous (inside-vehicle) temperatures are detected... which helps protect his life.

Even if the K-9 Officer is delayed in returning to the vehicle, your K-9 Partner and your department's Investments are protected.

The high speed fan moves 500 to 550cfm of air. The temperature drops 10 to 15 degrees almost immediately when the fan is activated. Complete system, plus fan will operate approx. 8 1/2 hours on standard police battery. Also features manual on/off over-ride switch, which allows for general use of fan when needed, aside from the CoolGuard system. Includes unique horn alarm pattern, status light indicator, self-diagnosing alert if system fails.

VVAULT SYSTEMS

CAMLOCKER



VAULT SYSTEMS

CAMLOCKER



Interceptor SUV "UP" Vault



Three Drawer Vault Systems



Custom Command Center

CamLocker Vault Systems Features:

- Constructed of .080" Thick Aluminum
- 400lb Weight Tested Drawer Slides
- Carpet Lined Drawers

Additional Features:

- Mate Black Powder Coating
- Top Basket
- Weapons Foam
- Thicker .125 Aluminum Construction for Heavy Duty Use
- White Boards
- Map Drawers
- Simplex Locks For Drawers
- Slide Out Work Tables



Single Drawer Vault w/Basket

Call 800-277-0869 for all Custom Vault requests. We will provide you with a Custom Drawing of your vault design to ensure your needs are met.

Item Code
Sedan Vaults

Dimensions



VT:Caprice 38"W x 16"D x 12"H w/Bracket
VT:Charger 36"W x 15"D x 8"H w/Bracket
VT: Interceptor Sedan 38"W x 18"D x 10"H w/bracket
VT:FCV 44"W x 13"D x 6"H w/Bracket

SUV Vaults

VT:"UP" (Interceptor SUV) 45"W x 24"D x 8"H w/Bracket
Two Drawers stacked
VT:"UP" 40 6/6 (Interceptor SUV) Dimensions 40"W x 24"D x 6"H ea. w/Bracket
VT:Equinox 36"W x 23"D x 12"H
VT:Escape 40"W x 23"D x 12"H
VT:Explorer/Durango 43"W x 28.5"D x 12"H
VT:Interceptor 38 38"W x 32"D x 12"H
* Two Drawers stacked*
VT: Interceptor/Durango 12/12 Dimensions: 40"W x 28.5"D x 12"H EA.

* Two Drawers stacked*
VT: Interceptor/Durango 12/6 Dimensions: 40"W x 28.5"D with a 12"H on bottom and 6"H on top
VT: Interceptor/Durango_28.5 40"W x 28.5"D x 12"H
VT: Interceptor/Durango_36/12 40"W x 36"D x 12"H
VT: Interceptor/Durango_36/6 40"W x 36"D x 6"H
VT:Jeep Liberty/Equinox 36"W x 23"D x 12"H
VT:Suburban 48"W x 36"D x 12"H
VT:Tah/Expd 48"W x 28.5"D x 12"H
* Two Drawers Stacked*
VT:Tah/Expd 12/12 Dimensions: 48"W x 28.5"D x 12"H Ea.

* Two Drawer Stacked on top of each other *
VT:Tah/Expd 12/6 Dimensions: 48"W x 28.5"D x 12"H on bottom and 6"H on top
VT:Tah/Expd 36 48"W x 36"D x 12"H

(use these if vehicle has a 1/3-2/3 K9 Insert)

VT:interceptor/Duran 1/3 2/3 12/12 *Two Drawers stacked*
Dimensions: 40"W x 23"D x 12"H EACH

Two Drawers stacked on top of each other
VT:Interceptor/Durang 1/3 2/3 12/6 Dimensions: 40"W x 23"D x 12"H bottom drawer and a 6"H on top
VT:Interceptor/Durango 1/3 2/3 40"W x 23"D x 12"H
VT:Tah 1/3 2/3 48"W x 23"D x 12"H
Two Drawers Stacked
VT:Tah 1/3 2/3 12/12 Dimensions: 48"W x 23"D x 12"H EA.

* Three drawer SUV Vault *Dimensions: Two Drawers Stacked on top of each other 30"W x 23"D x 12"H Each with a 18"W x 34"D x 12"H on the side..

VT:Tah/Expd Pensacola Style

* Two Drawers Side to Side *
VT:Tah/Expd. Nassau Style Dimensions: 30"W x 23"D x 12"H with an 18"W x 34"D x 12"H



INMATE

T R A N S P O R T

AMERICAN ALUMINUM





Security Screens

Screen & Door Panel Packages:

Standard Length/12 passenger
Extended Length/15 passenger

- 14 gauge Steel Window Guards.
- 11 gauge Aluminum Adjusting Front Partition.
- 14 gauge Steel Door Trim Panels.
- 1/4" Lexan in Partition Window.
- 1 1/4" x 1 1/4" punched radius squares in window guards.



*Images are of a 2015 Low Roof Transit Wagon



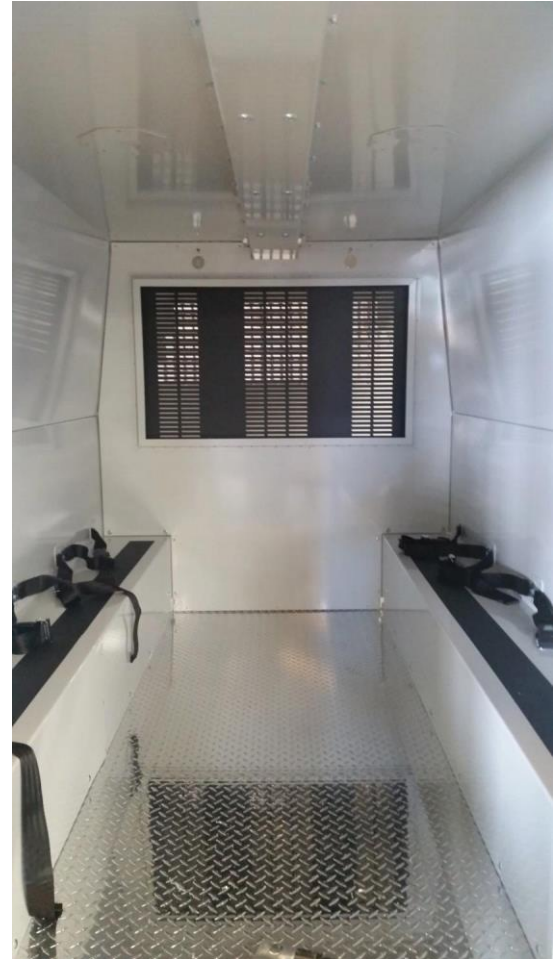


Inmate Transport Insert Specifications

Features:

- Aluminum interior encasement
- Secured driver cab
- Interior Lighting
- Easy clean interior unit
- Individual locking compartment doors
- No rust aluminum interior unit
- Aluminum encased rear door guards
- 6000 lb. slam latch lock with Camlocker T-handles, all locks keyed the same
- Prisoner loading rear and side steel door step
- Rear/Side step powder coated black
- Diamond plate aluminum floor
- Light weight unit to maximize use and stay under MFG Gross Vehicle Weight Rating.
- Front emergency exit drop down windows for every compartment
- Perforated center sections for viewing of prisoners with clear polycarbonate over the perforated sections for protection
- Welded edges for easy cleaning
- Welded and riveted connections to provide a quiet ride
- Unit can be transferred into like vehicle models
- AC hoses and hook ups included
- Rear factory Air Conditioning access panel
- Non-Skid Prisoner Seating
- Lap Style Seat Belts
- Light Grey Powder Coating on Insert

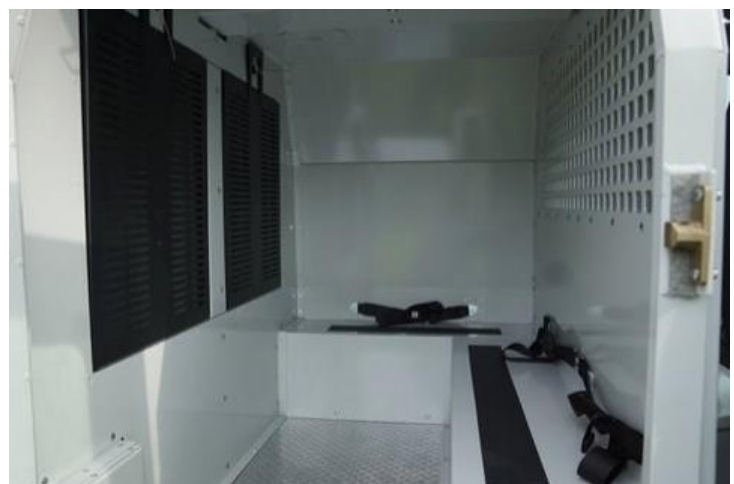
1, 2, 3 & 4 Compartments



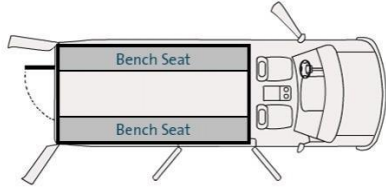
Single Compartment



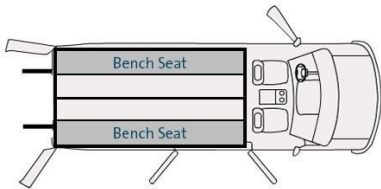
Rear Compartments of a 3 compartment unit



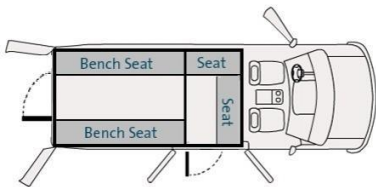
Front Compartment of 2 or 3 compartment units



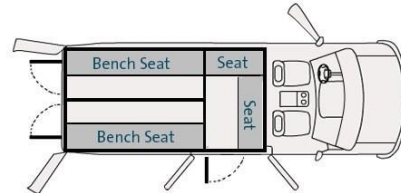
One (1) Compartment Unit:
Model IT-1C (Standard Length)
Model IT-1CX (Extended Length)
 One Rear Inmate Door Only.



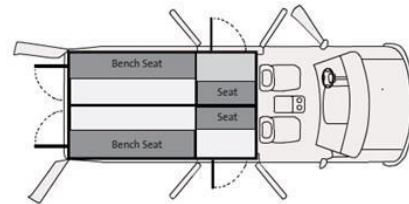
Two (2) Compartment Unit:
Model IT-2C-F/B (Standard Length)
Model IT-2CX-F/B (Extended Length)
 Two Rear Inmate Doors Only.



Two (2) Compartment Unit:
Model IT-2C-L/R (Standard Length)
Model IT-2CX-L/R (Extended Length)
 One Rear & One Side Inmate Doors.



Three (3) Compartment Unit:
Model IT-3C (Standard Length)
Model IT-3CX (Extended Length)
 Two Rear & One Side Inmate Doors.



Four (4) Compartment Unit:
Model IT-4C (Standard Length)
Model IT-4CX (Extended Length)
 Two Rear & Two Side Inmate Doors

Optional Features:

- Video Record/Monitor System, B/W or Color Cameras
- Audio Listening & Recording
- Back Up Sensors
- Loading Lights
- Auxiliary A/C and Heat Unit

Torso Restraints, Padded Seats & Bar Style Restraints also Available

ANIMAL CONTROL

AMERICAN ALUMINUM





Slide-In Truck Bed Animal Control Units



4 & 6 Compartment
Units Available



Includes:

Protected fans, protected LED interior lighting, drain in each animal compartment, heavy duty nontoxic rubber liners, powder coated white, top rail, all lockable compartments, all locks keyed the same, catch pole hole in each door, all aluminum insulated top, aluminum continuous piano hinge on all doors.

9 Cages: 4 Rear Facing / 5 Driver Wall
Insulated walls, ceiling and doors
Aluminum sheeting of walls, ceiling and doors
All doors have catch pole perforations for easy access and re-lease

A/C Vent into each Cage
Drain in each Cage
Side Door Panels & Window Guards
Square Circumference Holes/ Window Guards
Rear Door Panels
6,000 Lbs. Slam Locks on Lg. Cages
Stainless Folding T-Handles on all Cages
All locks on Cages keyed the same
12" LED lights bottom rear Door Panels
Protected Interior LED Lighting
Removable / Perforated / Powder coated Pan in each Cage
Large Cages 3/4" round perforations
Smaller cages 1/4" round perforations
Lockable storage Comp/ Bulkhead
Insulated ceiling, doors and side walls
Diamond Plate Floor
Aluminum bulkhead sealed from front Comp.
Polycarbonate window on center of bulkhead
Removable Dividers for top Cages
Removable Divider in rear bottom Large Cage

** Rear Pax Side Top Cage.. Dual Access from rear and inside van
** Rear Pax Side Cage.. Dual Access from rear and inside van

9 Compartment Animal Control Vans

****Must be installed at American Aluminum Shop****





HANDLERS CHOICE

Kennels & Training Aides



E/Z-UUV



HANDLERS CHOICE

Down size UUV	38"W x 33"D x 29"H	Explorer/Interceptor/Durango/ Tahoe
Full size UUV	46"W x 36"D x 31"H	Expedition/Suburban
Two Compart- ment UUV	46"W x 36"D x 31"H	With Divider/Two Doors

- E/Z-UUV, Installs in the cargo area of the vehicle, has a hinged front door with folding T-handle lock and rear emergency escape hatch. Has a removable base for easy cleaning. *Weights 150lbs.* Made out of 0.100 mill finish aluminum.
- Rubber mat included





E/Z-UUV Combos



Full size UUV Combo	46"W x 34"D x 31"H	Dog Compartment is 30"W Drawers are 8"D
Dodge Durango Combo	36"W x 33"D x 29"H	
Ford Explorer Combo	36"W x 30"D x 27"H	
E/Z-UUV Collapsible Combo	Collapsible Crate used	instead of UUV

- E/Z- UUV Combo, installs in the cargo area of the vehicle, has a hinged front door with folding T-handle lock, rear emergency escape door and two 8"D drawers with top storage area. Made out of 0.063 tread plate aluminum. 220 lbs. Slide out pan for easy cleaning. (*not on collapsible combo)**
- Rubber mat included**



Our E/Z Rider Portable K-9 Kennel provides secure and comfortable K-9 containment in just about any situation at home or work. It is the permanent, cost-effective answer to an off-duty K-9. With an estimated 20-year life expectancy. It's an excellent addition to any K-9 program.



HANDLERS CHOICE

E/Z KENNEL



	Kennel Run	Dog House
E/Z-Kennel II. 600 lbs.	96”L x 41 1/2”W x 48”H	41 1/2” L x 33 3/4”W x 48”H
E/Z-Kennel RUN only	96”L x 41 1/2”W x 48”H	
E/Z Kennel HOUSE only		41 1/2” L x 33 3/4”W x 48”H

FEATURES & SPECIFICATIONS

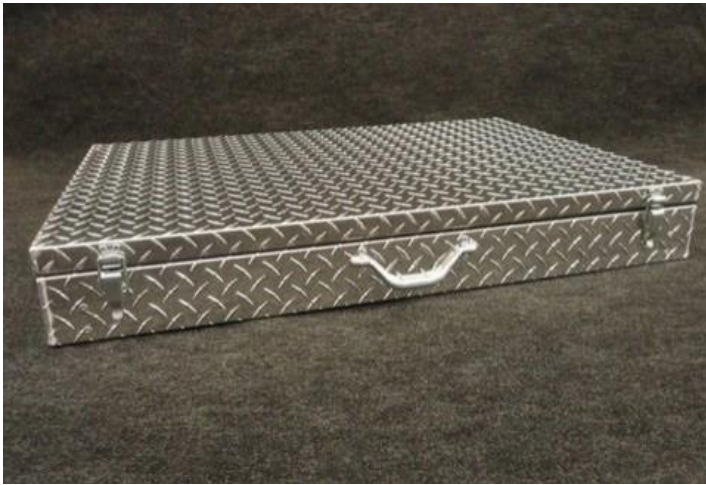
- ▮ Totally secure and fully insulated.
- ▮ Removable top & floor for easier cleaning.
- ▮ Key Lockable door.
- ▮ Ambient temperature inside
- ▮ Kennel is 89 in direct sunlight.
- ▮ Portable
- ▮ Municipal or independent septic system Compatible.
- ▮ Materials used prevent virus/ bacteria retention.



All aluminum construction except floor and insulation. Fully welded panels, assembled with stainless steel bolts. Floor is 1/2" thick and made of non-porous PVC, sloped to facilitate wash-out into trap/ drain at rear of kennel. The floor is fully supported.



HANDLERS CHOICE



Collapsible Crate & Standard Crate

	Measurements
Large	25"W x 36"L x 27"H
XL	27"W x 42"L x 30"H
XXL	32"W x 48"L x 35"H
E/Z-Crate *non collapsible	25"W x 36"L x 27"H

Non-Collapsible E/Z Crate

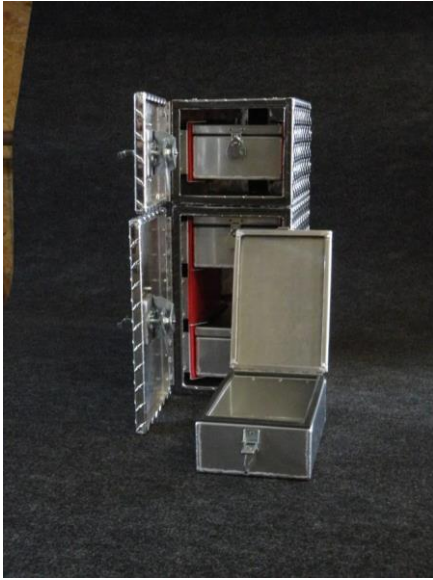


XL Collapsible Crate





K9 Training Aides



**3 & 4 Compartment
Narc Safes**



Sniff Kits





Hide 'n Seek K-9 Scent Recognition Training System



- 1. Includes remote controlled Reward Box***
- 2. Used for training Passive or Active Alert signals***
- 3. Gives K-9 trainer the power of reward control***
- 4. Utilizes the basic play drive/reward training technique***
- 5. Reduces initial training time up to 40%***
- 6. Ideal for weekly “refreshment” training sessions***
- 7. For use with narcotics, explosives, or any controlled substance.***
- 8. Trains K-9 to work faster and will make a more effective, capable K-9 partner.***
- 9. Available with remote controlled reward box, plus 4 “dummy” boxes & 2 hand-held remote controls.***



Hot Boxes





U.S.P.C.A. Obstacle Course Group I

Included:

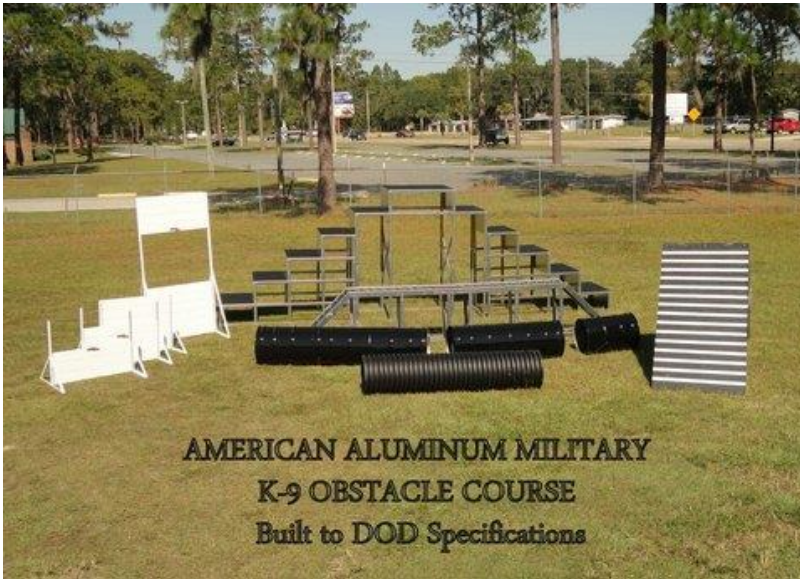
white wall jump, green wall jump, brick wall jump,
picket fence jump, chain link fence jump,
window jump and set of 4 broad jumps (hurdles)





**U.S.P.C.A. Obstacle Course
Group II**





Military Style Obstacle course



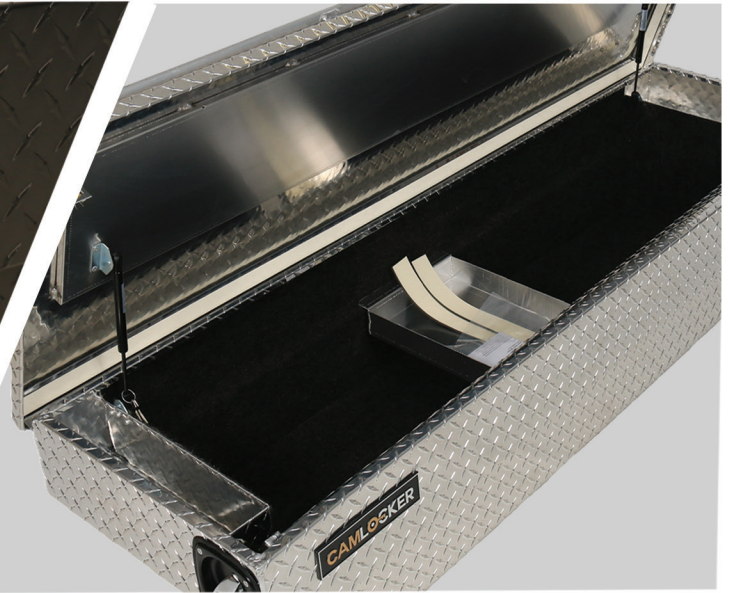
CAMLOCKER



**THE ULTIMATE IN
QUALITY AMERICAN
MADE CRAFTSMANSHIP**



**AMERICAN ALUMINUM
ACCESSORIES, INC.**



ALUMINUM TOOL BOXES:

Heavy duty .056" aluminum construction.

Improved design and styling that compliments any truck.

Hefty chrome plated carbon steel T-handles are key-lockable and offers secure and convenient opening from either side—every time.

Easier to view and retrieve wanted items, and is completely carpeted—with the floor carpet removable for easy cleaning.

Full length lid insert with center braces out-performs all other Truck Tool Box Lids with over 300 pounds of support strength.

Improved compressed gas lid lift cylinders carry a 2-year warranty.

*Available in Standard, King, Deep and Wide or Extra Deep and Wide



CAMLOCKER

THE KEY TO SECURITY

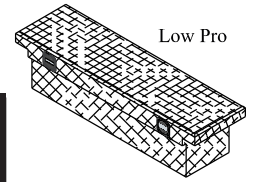
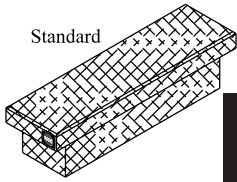
3291 U.S. HWY. 19 SOUTH, PERRY, FL. 34348 | WWW.EZRIDERONLINE.COM | 800.277.0869



American Aluminum Accessories, Inc.

3291 U.S. Hwy 19 South, Perry Fl 32348

Ph: 1-800-277-0869 Fax:850-584-8485



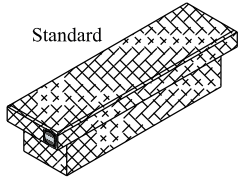
CAMLOCKER

Make	Models\Cab Styles	Years	Toolboxes
Chevy	All Fullsize	99-current	CamS-71LP CamS-71
Ford	All Fullsize(Excluding 97-03 Crew Cabs)	04-current	
Dodge	All Fullsize	02-current	
Nissan	All Titan's	03-current	
Toyota	Tundra	07-current	
Chevy	All Fullsize	99-current	CamKS-71
Ford	All Fullsize(Excluding 97-03 Crew Cabs)	04-current	
Dodge	All Fullsize	02-current	
Nissan	Titan (Excluding Crew Cabs)	03-current	
Toyota	Tundra	07-current	
Chevy	Fullsize Regular & Quad Cabs	99-current	CamKS-71LP
Ford	Fullsize Regular & Quad Cabs	97-current	
Dodge	All Fullsize	02-08	
Dodge	Fullsize Regular Cabs	02-current	
Nissan	Titan Regular & Quad Cabs	03-current	
Toyota	Tundra Regular Cab	07-current	
Chevy	Fullsize Crew Cabs	07-current	CamKS-71LP UN (Universal Notch)
Ford	Fullsize Crew Cabs	04-current	
Dodge	Fullsize Quad & Crew Cabs	09-current	
Nissan	Titan Crew Cabs	03-current	
Toyota	Tundra Quad & Crew Cabs	07-current	
Toyota	T-100\Tundra All Cab Sizes	99-07	CamS-67 CamS-67 LP
Ford	Crew Cabs	97-03	
Ford	Crew Cabs	97-03	CamKS-67 LP CamKS-67
Toyota	T-100\Tundra Quad & Crew Cabs	99-07	CamKS-67 LPN CamKS-67 N
Toyota	Tacoma	05-current	CamS-65 Y FN CamKS-65 Y FN CamS-65LP Y FN CamKS-65LPYFN
Nissan	Frontier	04-current	CamS-63 FN CamKS-63 FN CamS-63LP FN CamKS-63LP FN
Dodge	Dakota Crew Cabs	97-11	
Dodge	Dakota Regular & Quad Cabs	97-11	CamS-63 CamKS-63 CamS-63 LP CamKS-63 LP

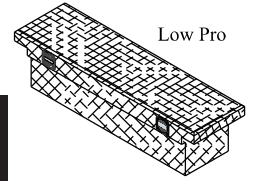
American Aluminum Accessories, Inc.

3291 U.S. Hwy 19 South, Perry Fl 32348

Ph: 1-800-277-0869 Fax:850-584-8485



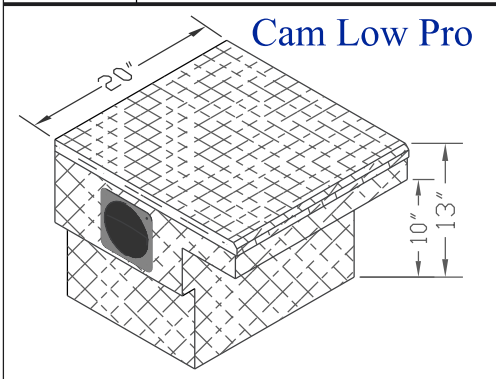
Standard



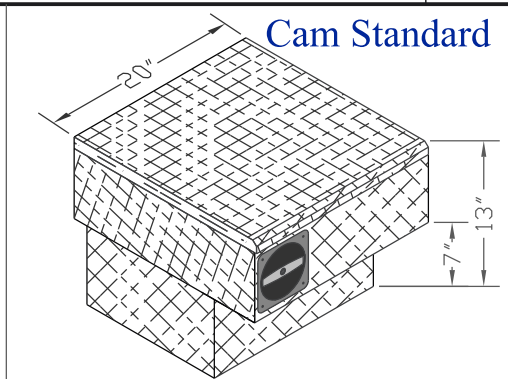
Low Pro

CAMLOCKER

Make	Models\Cab Styles	Years	Toolboxes
Ford	Flairside	97-current	CamS-65 Y CamKS-65 Y CamS-65 LP Y CamKS-65 LP Y
Ford	Flairside	92-97	CamS-54 CamKS-54 CamS-54 LP CamKS-54 LP
Chevy	Sportside	99-99	
Chevy	Sportside	00-current	CamS-60 Y CamKS-60 Y CamS-60 LP Y CamKS-60 LP Y
Chevy	S-10, S-15, Sonoma	All years	
Ford	Ranger	All years	
Chevy	Colorado Regular Cab	04-current	Cam S-63 Cam S-63 LP CamKS-63 FN CamKS-63 LP FN
Chevy	Colorado Quad & Crew Cabs	04-current	CamS-63 FN CamKS-63 FN CamS-63 LP FN CamKS-63 LP FN



Cam Low Pro



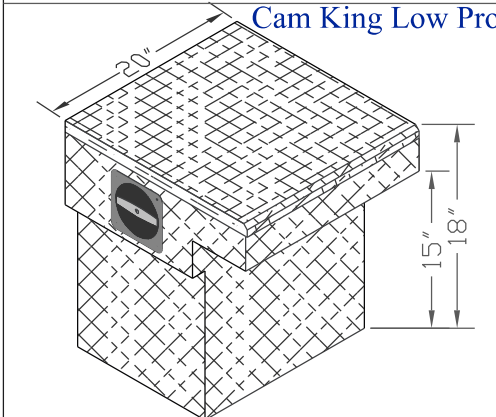
Cam Standard

Other Available Styles

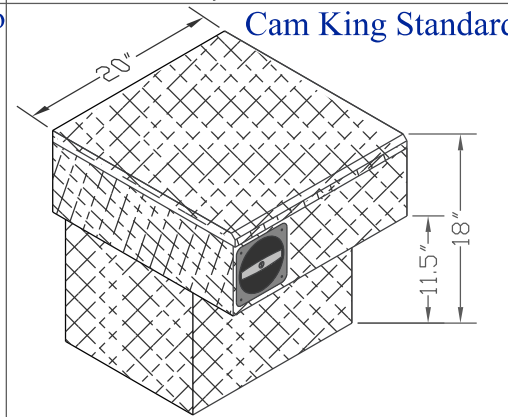
Mini (Slimline) Toolboxes- same styles and design only 14" wide



Need truck bed space?
This box is for you!!!



Cam King Low Pro



Cam King Standard

Deep & Wide Toolboxes-
24" wide Same depth as King Size, Low pro or Std

Plenty of room for those who work with big tools!!

Features!!
Carpet, Powder Coat, Secure Cam locks, Rattle Resistant Lids

Option Codes RLSL= Rails
MB= Matte Black
GB=Gloss Black
LP= Low Profile
Y= York (6" bed rail- select models only)

All Camlockers are Fully Carpeted on the inside and come in Matte Black or Gloss Black Powder Coat and Chrome Diamond Plate Aluminum finishes



Customer Care Center:
Toll Free#: 800.277.0869
Local#: 850.584.3969
Fax#: 850.584.8485
Monday to Friday 8:00am to 4:30pm (EST)

Customer Service, Purchasing or Quote Assistance On All Law Enforcement Products:

Alan Dodimead
Sales Manager – Law Enforcement
Email: aland@aaa-mail.com
Phone: 800.277.0869 ext. 1201

Morgan Smith
Sales Manager – Tool Box Division
Email: morgans@aaa-mail.com
Phone: 800.277.0869 ext.: 2205

Marie Helton
Sales Team Member
Email: marieh@aaa-mail.com
Phone: 800.277.0869 ext.: 1208

Daniel Merry
Sales Team Member
Email: danielm@aaa-mail.com
Phone: 800.277.0869 ext.: 1209

Nick Allbritton
Sales Team Member
Email: nicka@aaa-mail.com
Phone: 800.277.0869 ext.: 1207