

48mm Rotacasters

Product Catalogue



WHEELS AND ROLLER TYPES



65A
Capacity
18 kg

Polyurethane Roller
on Acetal bushing



90A
Capacity
30 kg

Polyurethane Roller
on Acetal bushing



Solid
Capacity
40 kg

TCP Roller
(No bushing)

BORES AND BUSHES

| BORES | | | |
|--------------------------|--------------|--------------|--------------|
| keyed \varnothing 12.7 | R2-0484-6501 | R2-0484-9001 | R2-0484-9901 |
| Plain \varnothing 12 | R2-0484-6512 | R2-0484-9012 | R2-0484-9912 |
| Hex \varnothing 11.1 | R2-0484-6561 | R2-0484-9061 | R2-0484-9961 |

| ACETAL FLANGED BUSHING | \varnothing 6 | \varnothing 6.35 | \varnothing 8 |
|------------------------|-----------------|--------------------|-----------------|
| | 13-9605-613F | 3-9605-0713F | 13-9605-0813F |

| ASSEMBLED WHEELS (with acetal bushing) | | | |
|--|----------------|----------------|----------------|
| \varnothing 6 | R2-0484-65/D06 | R2-0484-90/D06 | R2-0484-99/D06 |
| \varnothing 6.35 | R2-0484-65/D07 | R2-0484-90/D07 | R2-0484-99/D07 |
| \varnothing 8 | R2-0484-65/D08 | R2-0484-90/D08 | R2-0484-99/D08 |

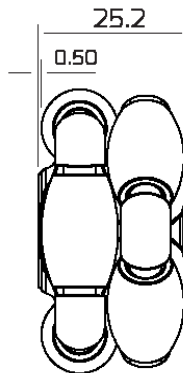
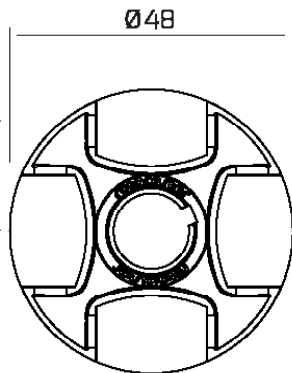
Load Capacity Notes: Load Capacity is expressed as both lateral "l" and static. The lateral load capacity is the load at which roller compression/deflection can result in radial head contact with the running surface, impeding direct lateral (sideways) movement or in the case of abrasive surfaces (such as concrete) cause possible wear to the radial head, reducing the life of the product. The static load capacity is that which the wheel can individually support in a stationary state.

WHEEL DIMENSIONS (in mm)

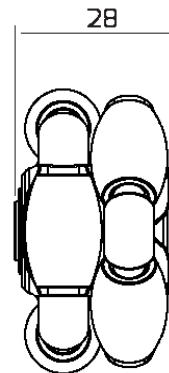
1.0mm maximum nominal radial head clearance

\varnothing 13mm Roller

Weight: 38gm



Double wheel



Double wheel with bushing

Conversion

| Metric | Imperial |
|---------|----------|
| 3.2mm | 1/8" |
| 6.35mm | 1/4" |
| 8.00mm | 5/16" |
| 11.1mm | 7/16" |
| 12.7mm | 1/2" |
| 15.88mm | 5/8" |
| 25.4mm | 1" |

Rotacaster Wheels products are patented.

© 2016 Rotacaster Wheel Pty Ltd

WHEELS & MOUNTS

MOUNTING OPTIONS for 48mm Rotacaster Wheels

Rotacaster wheels can be used in various mounting and cup options to suit diverse needs. Offering a wide range of standard applications, also customised solutions are available.

FORKS & MOUNTS



48mm Rotacaster in steel fork



48mm Rotacaster in stair climbing application



48mm Rotacaster in furniture mount

CUPS



Inverted cups provide a full polymer alternative to ball transfer units.



Inverted cup with 48mm Rotacaster



48mm Rotacaster in cup applicable as a floor wheel application



65A



90A



Solid

STEEL FORK (including wheel)



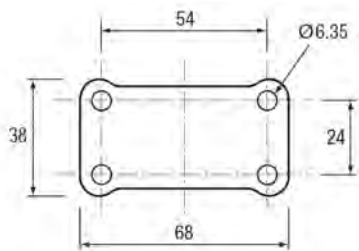
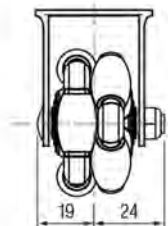
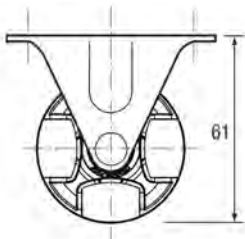
Protrusion 'A'

R2-0484-65/MF

R2-0484-90/MF

R2-0484-99/MF

Material: Zinc plated
Weight: 113g



48mm Rotacaster



65A






90A



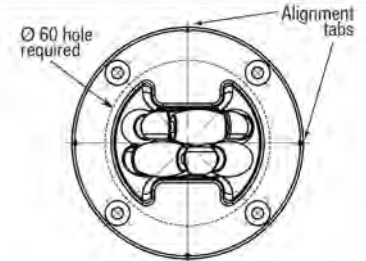
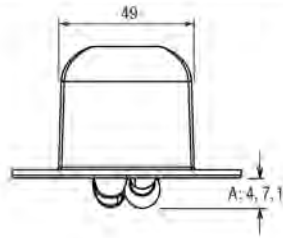
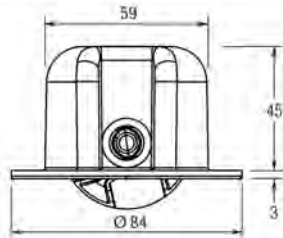
Solid

CUPS (including Wheel)




| | | | |
|--|-----------------|-----------------|-----------------|
|  4 mm clearance | R2-0484-65/MC04 | R2-0484-90/MC04 | R2-0484-99/MC04 |
|  7 mm clearance | R2-0484-65/MC07 | R2-0484-90/MC07 | R2-0484-99/MC07 |
|  11 mm clearance | R2-0484-65/MC11 | R2-0484-90/MC11 | R2-0484-99/MC11 |

Material: Full polymer

Weight: 86gm



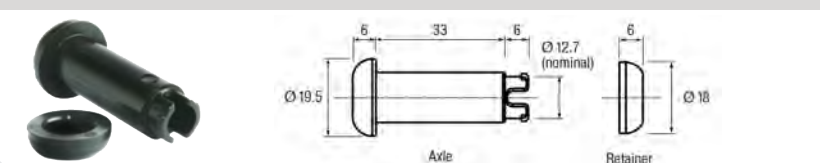
CUPS (only)

| | |
|---|--------------|
|  4 mm clearance pre-drilled hole | MC4-R2-0484 |
|  7 mm clearance pre-drilled hole | MC7-R2-0484 |
|  11 mm clearance pre-drilled hole | MC11-R2-0484 |

CUPS (FOR NORMAL OR INVERTED USE)



ACETAL AXLE AND RETAINER



Ø12.7 Axle





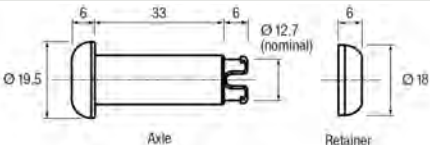
Retainer Cap

13-2002-13

13-2003-13

CHANNELS



| ALUMINIUM CHANNEL | SHAFT Ø12.7 | ACETAL AXLE AND RETAINER CAP |
|--|--|--|
|  | 13-3008-13-H |  |
|  | 13-3008-13-S | Ø12.7 Axle 13-2002-13 |
| |  14-9702-13 |  Retainer Cap 13-2003-13 |

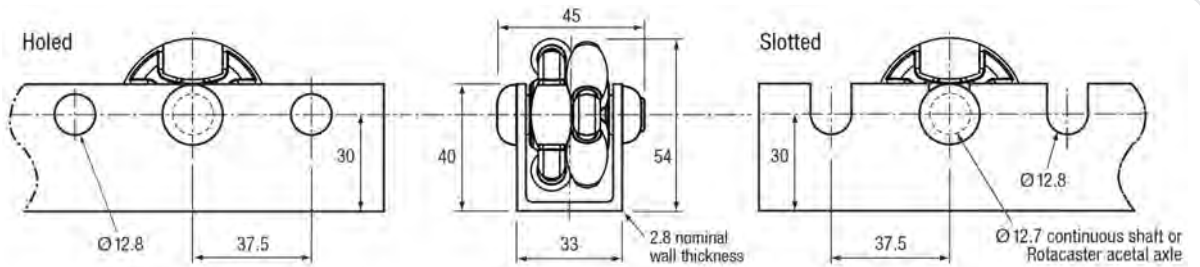
Material: Aluminium

Length 3.195m

Weight:

Holed 0.74kg/m

Slotted 0.72kg/m



BUSHINGS / SPACERS

OD Ø15.88



Length (mm)

ID Ø12.7

25.2

13-9602-1316-025

50.4

13-9602-1316-050

75.6

13-9602-1316-075



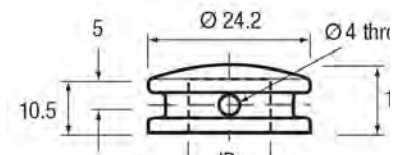
AXLE CAPS

Ø12

Ø12,7

13-2022-13

13-2003-13



All Rotacaster channel application can be adjusted to suit particular needs and purposes.