



**ANEST  
IWATA**

***Product & Parts Catalog***

***Manual Spray Guns / Cups & Containers***





**Product & Parts Catalog**  
Manual Spray Guns  
Cups & Containers

**Index**

	Page
<b>Spray Guns</b>	
LPH400LV / LVB / LVX .....	4
LPH440 Primer Gun .....	6
LPH300LV .....	8
LPH200P/LVP Pressure Feed .....	10
LPH2003 Pressure Feed .....	10
LPH101LVG Gravity Feed .....	12
LPH101LVS Siphon Feed .....	12
LPH101P/LVP Pressure Feed .....	14
LPH80 Mini Gravity Feed .....	16
LPH50 Mini Gravity Feed .....	18
W400 .....	20
W400LV Compliant .....	22
W300 .....	24
W200 Siphon Feed .....	26
W200 Gravity Feed .....	26
W200 Pressure Feed .....	28
W2003 Pressure Feed .....	28
W200ZP Ceramic Spray Gun .....	28
W101 Gravity Feed .....	30
W101 Siphon Feed .....	30
W101 Pressure Feed .....	32
W101A Agitator Gun .....	34
RG3L Round Pattern Spray Gun .....	36
<b>Cups and Containers</b>	
PC18D Pressure Pot .....	38
PC18C Pressure Pot .....	40
PCG7/10/4/2 Center Post Gravity Cup .....	42
PCG6P Plastic Cup .....	42
PC4/4S/5/51/61 Side Gravity Cup .....	42
PCL7B/10B Siphon Cup .....	42
PC19B Pressurized Container .....	42



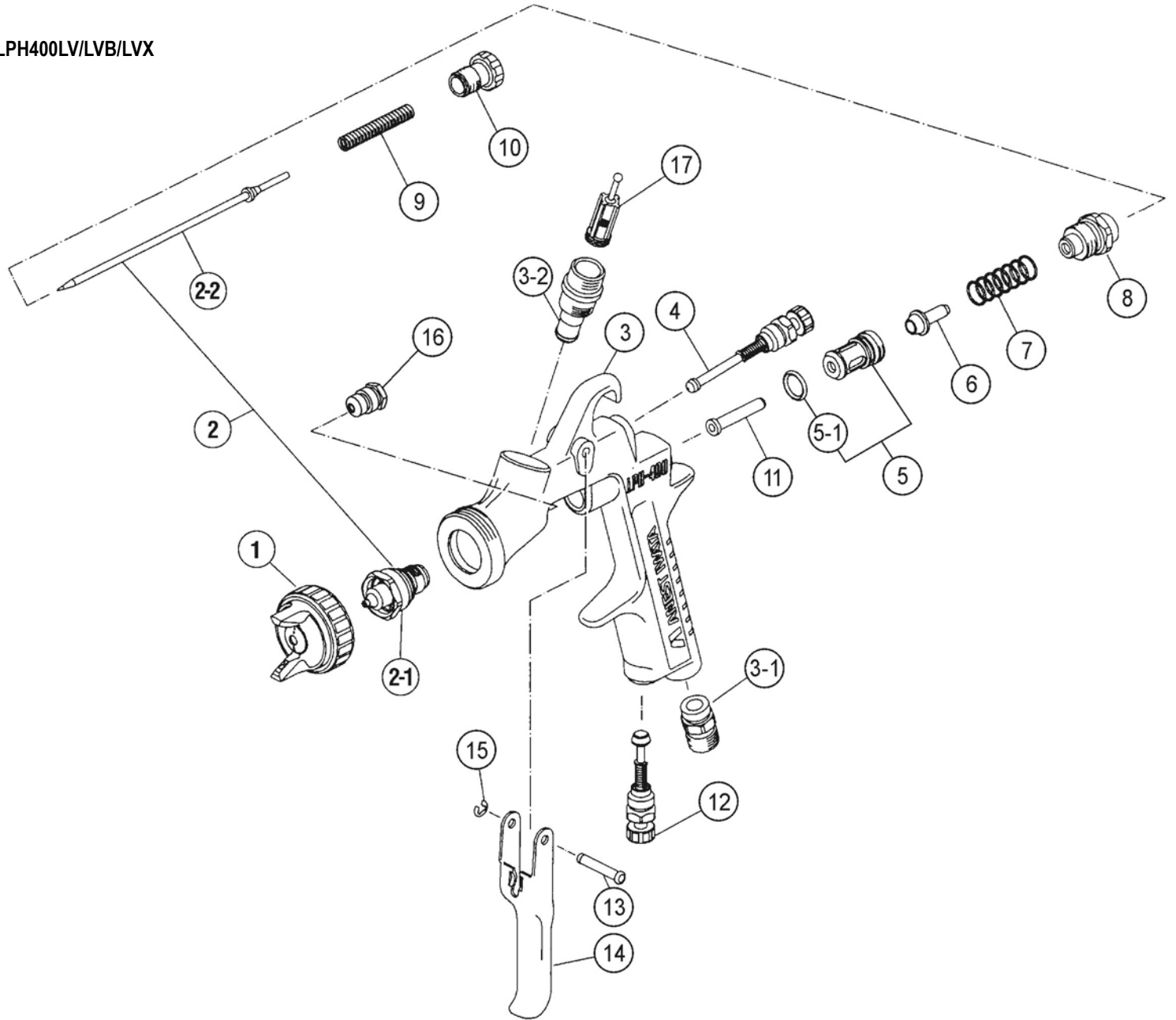




## LPH400LV / LVB / LVX

Ref #	Part #	Description	Remarks
1	93874601	AIR CAP SET "LPH400-LV4"	LPH400-LV, SILVER RING
1	93524650	AIR CAP SET "LPH400-LVB"	LPH400-LVB, PURPLE RING
1	93548700	AIR CAP SET "LPH400-LVX"	LPH400-LVX, ORANGE RING
2	93880600	NOZZLE/NEEDLE SET 1.2LV	LPH400LV
2	93897600	NOZZLE/NEEDLE SET 1.3LV	LPH400LV / LVB / LVX
2	93873600	NOZZLE/NEEDLE SET 1.4LV	LPH400LV / LVB / LVX
2	93516650	NOZZLE/NEEDLE SET 1.5LV	LPH400LV / LVB / LVX
2	93882600	NOZZLE/NEEDLE SET 1.6LV	LPH400LV
2	93884600	NOZZLE/NEEDLE SET 1.8LV	LPH400LV
2-1	93552600	FLUID NOZZLE 1.2LV	MARKED AS 400LV/12
2-1	93896600	FLUID NOZZLE 1.3LV	MARKED AS 400LV/13
2-1	93547600	FLUID NOZZLE 1.4LV	MARKED AS 400LV/14
2-1	93515650	FLUID NOZZLE 1.5LV	MARKED AS 400LV/15
2-1	93553600	FLUID NOZZLE 1.6LV	MARKED AS 400LV/16
2-1	93554600	FLUID NOZZLE 1.8LV	MARKED AS 400LV/18
2-2	93829600	FLUID NEEDLE 1.2	MARKED AS 40012
2-2	93830600	FLUID NEEDLE 1.3/1.4/1.5/1.6	MARKED AS 20015
2-2	93831600	FLUID NEEDLE 1.8	MARKED AS 20020
3	N/A	GUN BODY	
3-1	93660300	AIR NIPPLE	1/4"
3-2	93650531	FLUID NIPPLE	M16X1.5
4	93842601	PATTERN ADJUST SET	
5	93843530	AIR VALVE SEAT SET	
5-1	96638008	O RING	
6	93591530	AIR VALVE	
7	93719530	AIR VALVE SPRING	
8	93844531	FLUID ADJUST GUIDE SET	
9	93593530	FLUID NEEDLE SPRING	
10	93594532	FLUID ADJUST KNOB	
11	93595530	AIR VALVE SHAFT	
12	93845531	AIR ADJUST SET	
13	93667360	TRIGGER STUD	
14	93517600	TRIGGER	
15	93912030	STOPPER	2PCS/PACK
16	93765610	CARTRIDGE PACKING	
17	93515500	FILTER	60MESH
	93512600	L GASKET (BLACK)	FOR AIR CAP SET
	93708240	AIR CAP GASKET (WHITE)	
	93538600	GUN WRENCH	
	5650	REPAIR SERVICE KIT	5-1, 7, 9, 13, 15, 16
	2950	MK5 MAINTENANCE KIT	
	2995	TEST CAP GAUGE SET "LPH400-LV4"	LPH400-LV
	2996	TEST CAP GAUGE SET "LPH400-LVB"	LPH400-LVB
	2998	TEST CAP GAUGE SET "LPH400-LVX"	LPH400-LVX

LPH400LV/LVB/LVX



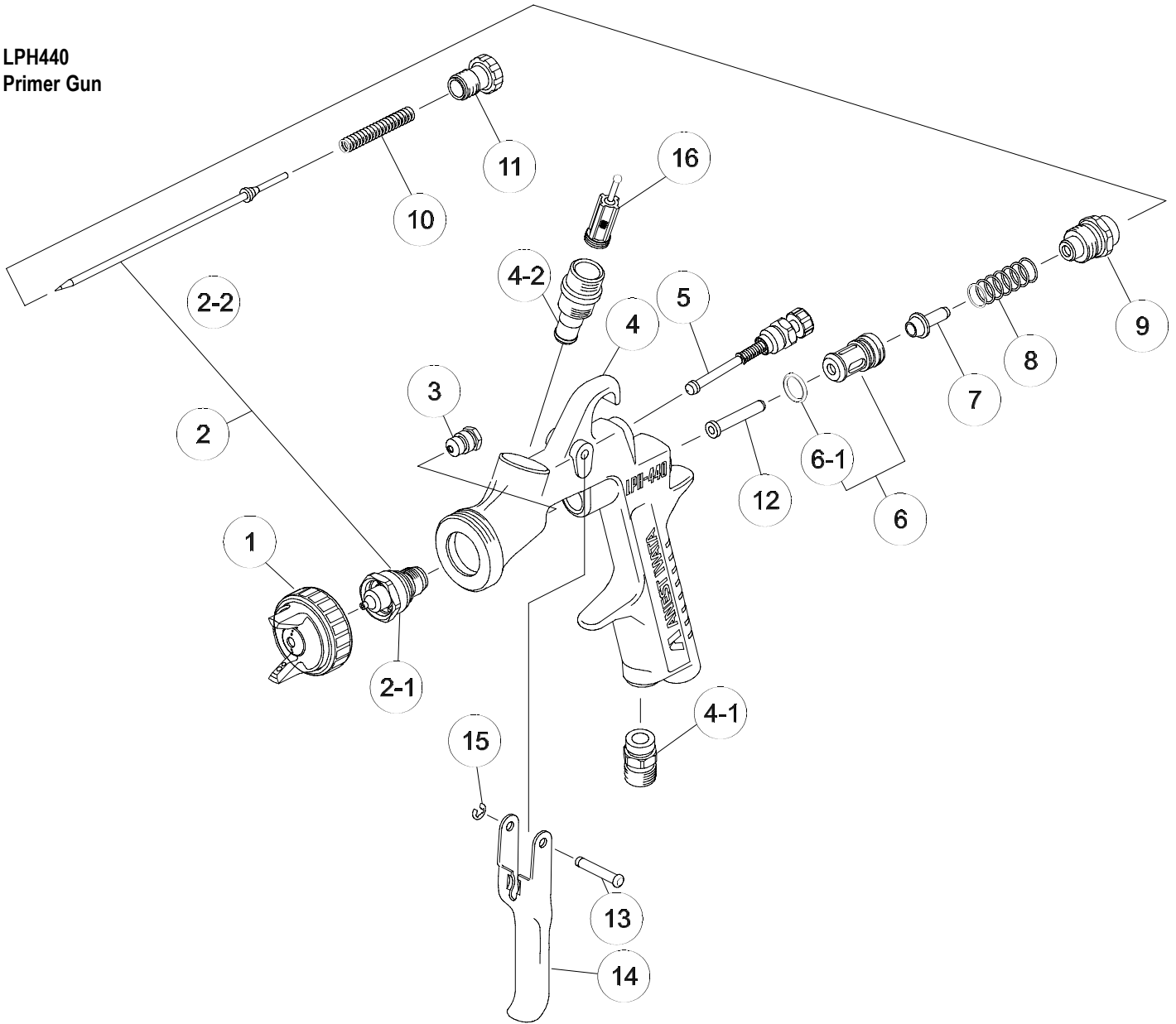


**LPH440  
Primer Gun**

Ref #	Part #	Description	Remarks
1	93638601	AIR CAP SET "LPH440"	
2	93643601	NOZZLE/NEEDLE SET 1.4	
2	93645601	NOZZLE/NEEDLE SET 1.6	
2	93641601	NOZZLE/NEEDLE SET 1.8	
2	93647601	NOZZLE/NEEDLE SET 2.0	
2	93649601	NOZZLE/NEEDLE SET 2.5	
2-1	93642601	FLUID NOZZLE 1.4	MARKED AS 440L/14
2-1	93644601	FLUID NOZZLE 1.6	MARKED AS 440L/16
2-1	93640601	FLUID NOZZLE 1.8	MARKED AS 440L/18
2-1	93646601	FLUID NOZZLE 2.0	MARKED AS 440L/20
2-1	93648601	FLUID NOZZLE 2.5	MARKED AS 440L/25
2-2	93830600	FLUID NEEDLE 1.4/1.6	MARKED AS 20015
2-2	93831600	FLUID NEEDLE 1.8/2.0	MARKED AS 20020
2-2	93832600	FLUID NEEDLE 2.5	MARKED AS 20025
3	93765610	CARTRIDGE PACKING	
4	N/A	GUN BODY	
4-1	93660300	AIR NIPPLE	1/4"
4-2	93650531	FLUID NIPPLE	M16X1.5
5	93842601	PATTERN ADJUST SET	
6	93843530	AIR VALVE SEAT SET	
6-1	96638008	O RING	
7	93591530	AIR VALVE	
8	93719530	AIR VALVE SPRING	
9	93844531	FLUID ADJUST GUIDE SET	
10	93593530	FLUID NEEDLE SPRING	
11	93594532	FLUID ADJUST KNOB	
12	93595530	AIR VALVE SHAFT	
13	93667360	TRIGGER STUD	
14	93517600	TRIGGER	
15	93912030	STOPPER	2PCS/PACK
16	93515500	FILTER	60MESH
	93576530	L GASKET (BLACK)	FOR AIR CAP SET
	93608320	AIR CAP GASKET (WHITE)	
	93538600	GUN WRENCH	
	5650	REPAIR SERVICE KIT	3, 6-1, 8, 10, 13, 15
	2950	MK5 MAINTENANCE KIT	
	2997B	TEST CAP GAUGE SET "LPH440"	



LPH440  
Primer Gun

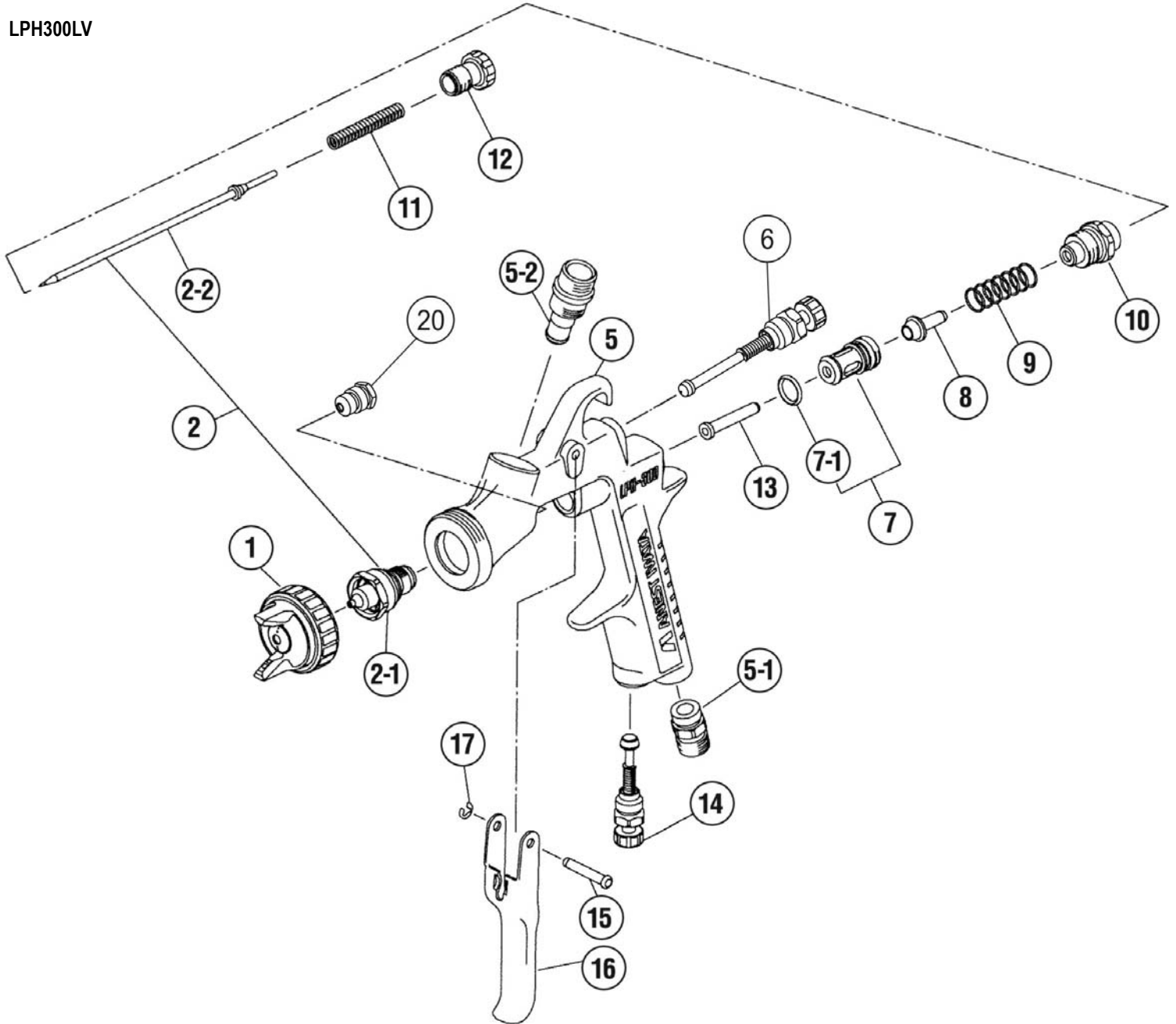




**LPH300LV**

Ref #	Part #	Description	Remarks
1	93875602	AIR CAP SET "LPH101-LV4"	
2	93867600	NOZZLE/NEEDLE SET 1.2LV	
2	93623600	NOZZLE/NEEDLE SET 1.3LV	
2	93862600	NOZZLE/NEEDLE SET 1.4LV	
2	93869600	NOZZLE/NEEDLE SET 1.6LV	
2	93871600	NOZZLE/NEEDLE SET 1.8LV	
2	93621600	NOZZLE/NEEDLE SET 2.0LV	
2-1	93544600	FLUID NOZZLE 1.2LV	MARKED AS 100LV/12
2-1	93624600	FLUID NOZZLE 1.3LV	MARKED AS 100LV/13
2-1	93542600	FLUID NOZZLE 1.4LV	MARKED AS 100LV/14
2-1	93545600	FLUID NOZZLE 1.6LV	MARKED AS 100LV/16
2-1	93546600	FLUID NOZZLE 1.8LV	MARKED AS 100LV/18
2-1	93622600	FLUID NOZZLE 2.0LV	MARKED AS 100LV/20
2-2	93537600	FLUID NEEDLE 1.2	MARKED AS 10008H
2-2	93578530	FLUID NEEDLE 1.3/1.4/1.6	MARKED AS 10013
2-2	93703530	FLUID NEEDLE 1.8/2.0	MARKED AS 10018
5	N/A	GUN BODY	
5-1	93660300	AIR NIPPLE	1/4"
5-2	93575620	FLUID NIPPLE	1/4"BSP FEMALE
6	93577620	PATTERN ADJUST SET	
7	93843530	AIR VALVE SEAT SET	
7-1	96638008	O RING	
8	93591530	AIR VALVE	
9	93719530	AIR VALVE SPRING	
10	93844531	FLUID ADJUST GUIDE SET	
11	93593530	FLUID NEEDLE SPRING	
12	93594532	FLUID ADJUST KNOB	
13	93595530	AIR VALVE SHAFT	
14	93845531	AIR ADJUST SET	
15	93667360	TRIGGER STUD	
16	93597530	TRIGGER	
17	93912030	STOPPER	2PCS/PACK
20	93765610	CARTRIDGE PACKING	
	93576530	L GASKET (BLACK)	FOR AIR CAP SET
	93608320	AIR CAP GASKET (WHITE)	
	93538600	GUN WRENCH	
	5650	REPAIR SERVICE KIT	7-1, 9, 11, 15, 17, 20
	2950	MK5 MAINTENANCE KIT	
	2985	TEST CAP GAUGE SET "LPH100-LV4"	

LPH300LV



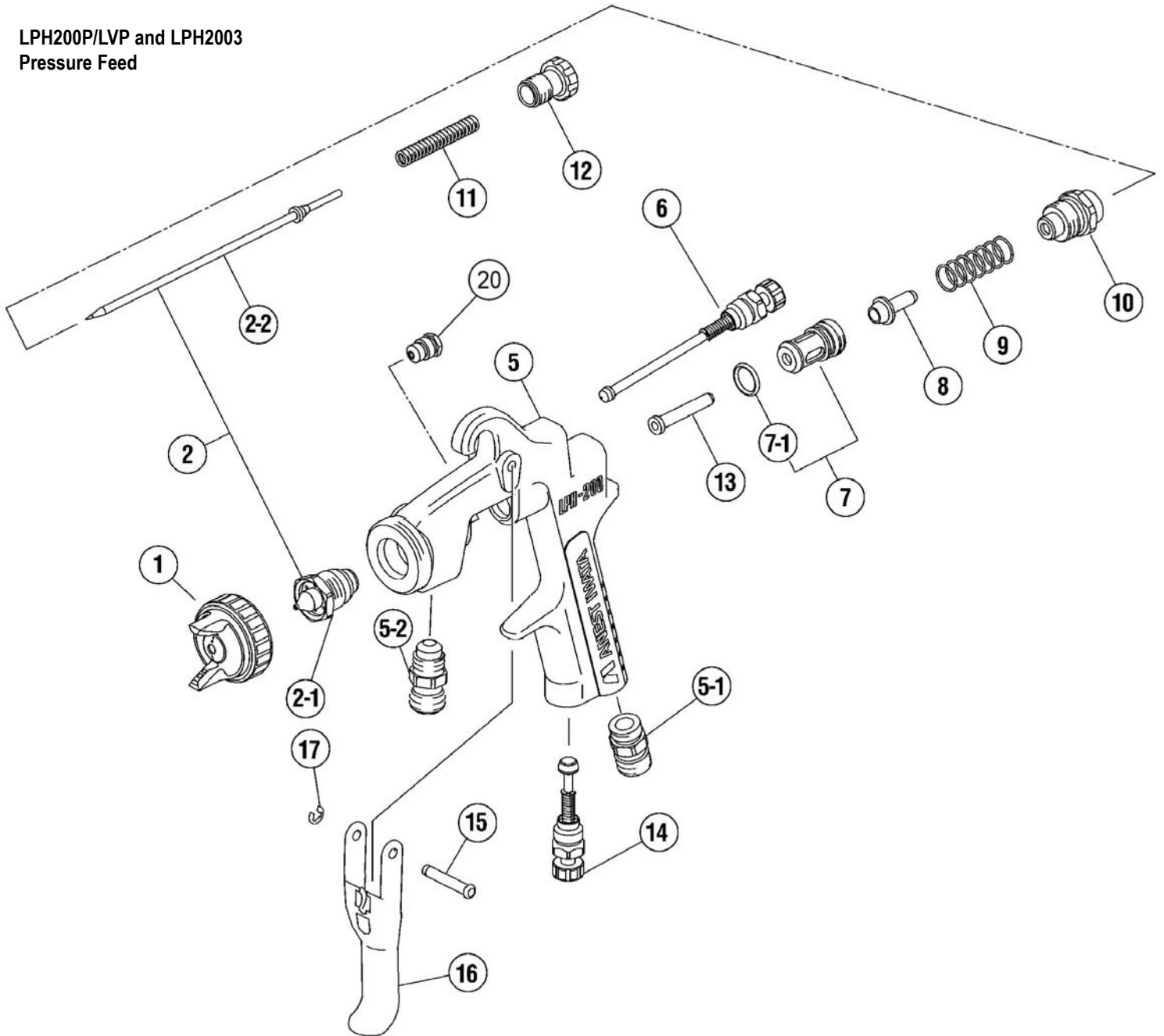


Manual Spray Guns

**LPH200P/LVP and  
LPH2003  
Pressure Feed**

Ref #	Part #	Description	Remarks
1	93822601	AIR CAP SET "LPH200-G2"	LPH200P/LPH2003
1	93587601	AIR CAP SET "LPH200-LV6"	LPH200LVP
2	93859600	NOZZLE/NEEDLE SET 1.0	LPH200P/LPH2003
2	93858600	NOZZLE/NEEDLE SET 1.2	LPH200P/LPH2003
2	93860600	NOZZLE/NEEDLE SET 1.4	LPH200P/LPH2003
2	93593600	NOZZLE/NEEDLE SET 0.8LV	LPH200LVP
2	93594600	NOZZLE/NEEDLE SET 1.0LV	LPH200LVP
2	93595600	NOZZLE/NEEDLE SET 1.2LV	LPH200LVP
2-1		FLUID NOZZLE	SUPPLIED AS SET
2-2		FLUID NEEDLE	SUPPLIED AS SET
5	N/A	GUN BODY	
5-1	93660300	AIR NIPPLE	1/4"
5-2	93515600	FLUID NIPPLE	3/8", LPH200P/LVP
5-2	93161710	FLUID NIPPLE (FEMALE)	LPH2003
5-3	93910710	GASKET (NOT SHOWN)	LPH2003, 2PCS/PACK
6	93840601	PATTERN ADJUST SET	LPH200P/LPH2003
6	93898600	PATTERN ADJUST SET	LPH200LVP
7	93843530	AIR VALVE SEAT SET	
7-1	96638008	O RING	
8	93591530	AIR VALVE	
9	93719530	AIR VALVE SPRING	
10	93844531	FLUID ADJUST GUIDE SET	
11	93593530	FLUID NEEDLE SPRING	
12	93594532	FLUID ADJUST KNOB	
13	93595530	AIR VALVE SHAFT	
14	93845531	AIR ADJUST SET	
15	93667360	TRIGGER STUD	
16	93517600	TRIGGER	
17	93912030	STOPPER	2PCS/PACK
20	93765610	CARTRIDGE PACKING	
	93512600	L GASKET (BLACK)	FOR AIR CAP SET
	93708240	AIR CAP GASKET (WHITE)	
	93538600	GUN WRENCH	
	5650	REPAIR SERVICE KIT	7-1, 9, 11, 15, 17, 20
	2950	MK5 MAINTENANCE KIT	
	6035	PC19B CONTAINER	FOR LPH2003
	2991	TEST CAP GAUGE SET "LPH200-G2"	LPH200P/LPH2003
	2992	TEST CAP GAUGE SET "LPH200-LV6"	LPH200LVP

LPH200P/LVP and LPH2003  
Pressure Feed





Manual Spray Guns

**LPH101LVG/LVS  
Gravity and Siphon  
Feed**

Ref #	Part #	Description	Remarks
1	93875602	AIR CAP SET "LPH101-LV4"	
2	93867600	NOZZLE/NEEDLE SET 1.2LV	LPH100LVG
2	93862600	NOZZLE/NEEDLE SET 1.4LV	LPH100LVG/LVS
2	93869600	NOZZLE/NEEDLE SET 1.6LV	LPH100LVG/LVS
2	93871600	NOZZLE/NEEDLE SET 1.8LV	LPH100LVG
2-1	93544600	FLUID NOZZLE 1.2LV	MARKED AS 100LV/12
2-1	93542600	FLUID NOZZLE 1.4LV	MARKED AS 100LV/14
2-1	93545600	FLUID NOZZLE 1.6LV	MARKED AS 100LV/16
2-1	93546600	FLUID NOZZLE 1.8LV	MARKED AS 100LV/18
2-2	93537600	FLUID NEEDLE 1.2	MARKED AS 10008H
2-2	93578530	FLUID NEEDLE 1.4/1.5/1.6	MARKED AS 10013
2-2	93703530	FLUID NEEDLE 1.8	MARKED AS 10018
5	N/A	GUN BODY	
5-1	93660300	AIR NIPPLE	1/4"
5-2	93584530	FLUID NIPPLE	1/4"
6	93842531	PATTERN ADJUST SET	
7	93843530	AIR VALVE SEAT SET	
7-1	96638008	O RING	
8	93591530	AIR VALVE	
9	93719530	AIR VALVE SPRING	
10	93844531	FLUID ADJUST GUIDE SET	
11	93593530	FLUID NEEDLE SPRING	
12	93594532	FLUID ADJUST KNOB	
13	93595530	AIR VALVE SHAFT	
14	93845531	AIR ADJUST SET	
15	93667360	TRIGGER STUD	
16	93597530	TRIGGER	
17	93912030	STOPPER	2PCS/PACK
20	93765610	CARTRIDGE PACKING	
	93576530	L GASKET (BLACK)	FOR AIR CAP SET
	93608320	AIR CAP GASKET (WHITE)	
	93538600	GUN WRENCH	
	5650	REPAIR SERVICE KIT	7-1, 9, 11, 15, 17, 20
	2950	MK5 MAINTENANCE KIT	
	2985B	TEST CAP GAUGE SET "LPH101-LV4"	





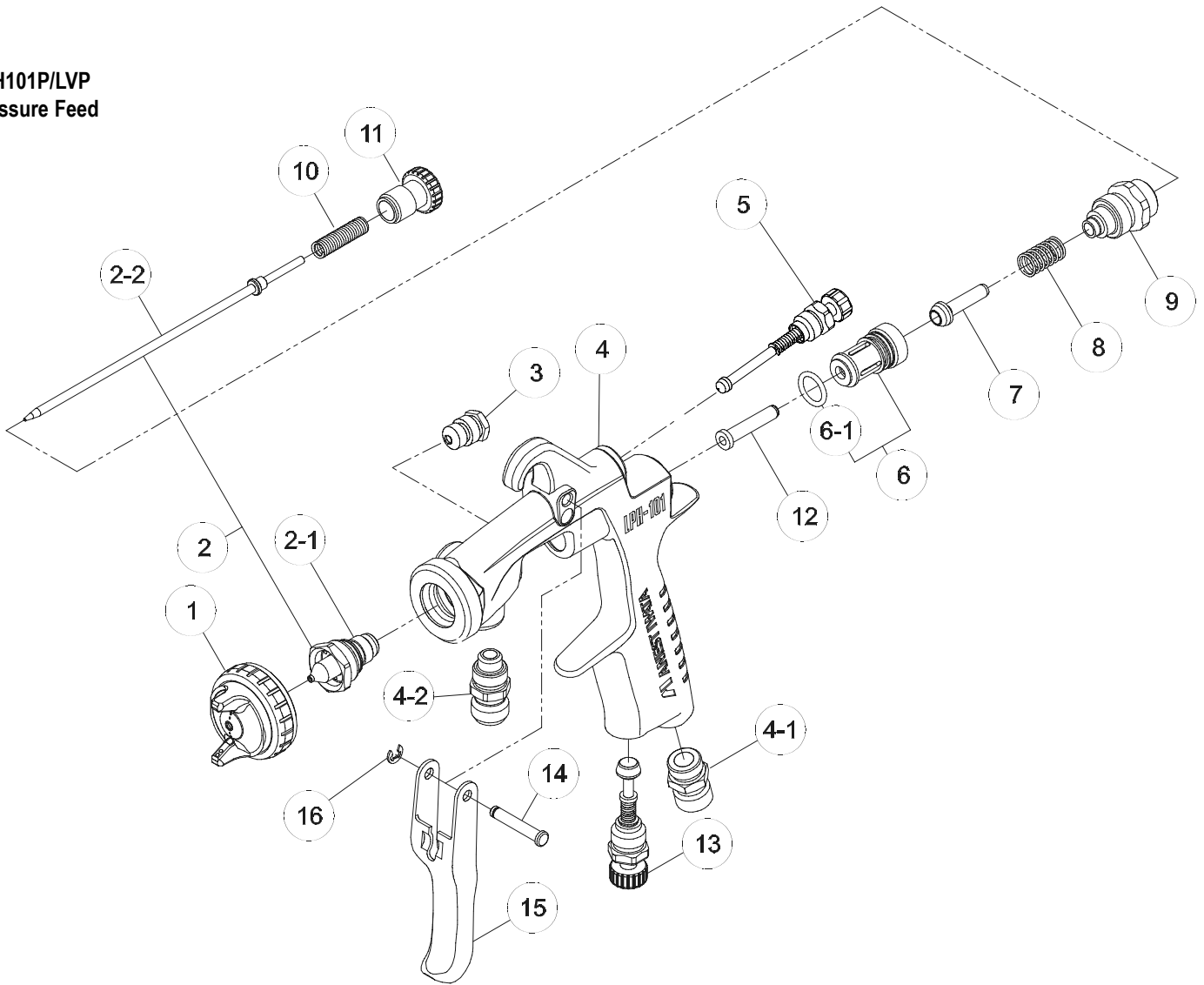
**Manual Spray Guns**

**LPH101P/LVP  
Pressure Feed**

Ref #	Part #	Description	Remarks
1	93832532	AIR CAP SET "LPH101-E1"	081P/101P/131P/151P
1	93811602	AIR CAP SET "LPH101-G2"	122P
1	93500651	AIR CAP SET "LPH101-LV6"	082LVP/102LVP
2	93855600	NOZZLE/NEEDLE SET 0.8	LPH101P
2	93856600	NOZZLE/NEEDLE SET 1.0	LPH101P
2	93857600	NOZZLE/NEEDLE SET 1.2	LPH101P
2	93833530	NOZZLE/NEEDLE SET 1.3	LPH101P
2	93802600	NOZZLE/NEEDLE SET 1.5	LPH101P
2	93512650	NOZZLE/NEEDLE SET 0.8	LPH101LVP
2	93502650	NOZZLE/NEEDLE SET 1.0	LPH101LVP
2-1		FLUID NOZZLE	SUPPLIED AS SET
2-2		FLUID NEEDLE	SUPPLIED AS SET
3	93765610	CARTRIDGE PACKING	
4	N/A	GUN BODY	
4-1	93660300	AIR INLET	1/4"
4-2	93515600	FLUID NIPPLE	3/8"
4-2	93584530	FLUID NIPPLE	1/4" (OPTION)
5	93842531	PATTERN ADJUST SET	
6	93843530	AIR VALVE SEAT SET	
6-1	96638008	O RING	
7	93591530	AIR VALVE	
8	93719530	AIR VALVE SPRING	
9	93844531	FLUID ADJUST GUIDE SET	
10	93593530	FLUID NEEDLE SPRING	
11	93594532	FLUID ADJUST KNOB	
12	93595530	AIR VALVE SHAFT	
13	93845531	AIR ADJUST SET	
14	93667360	TRIGGER STUD	
15	93597530	TRIGGER	
16	93912030	STOPPER	2PCS/PACK
	93576530	L GASKET (BLACK)	FOR AIR CAP SET
	93608320	AIR CAP GASKET (WHITE)	
	93538600	GUN WRENCH	
	5650	REPAIR SERVICE KIT	3, 6-1, 8, 10, 14, 16
	2950	MK5 MAINTENANCE KIT	
	2987B	TEST CAP GAUGE SET "LPH101-E1"	081P/101P/131P/151P
	2986B	TEST CAP GAUGE SET "LPH101-G2"	122P



LPH101P/LVP  
Pressure Feed



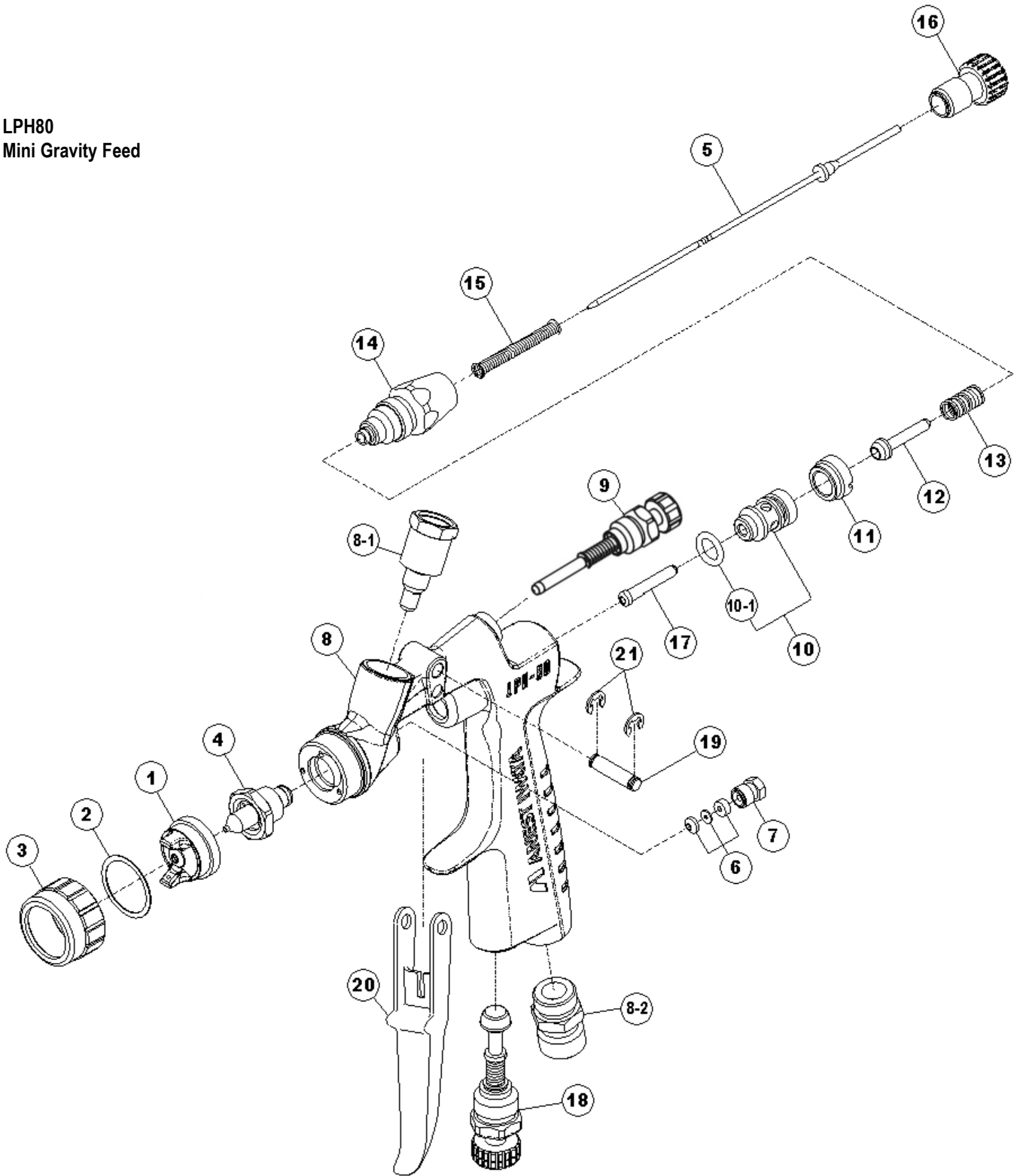


**Manual Spray Guns**

**LPH80  
Mini Gravity Feed**

Ref #	Part #	Description	Remarks
1	93557600	AIR CAP	042G/062G/082G/102G/122G
1	93662600	AIR CAP "LPH80-E4"	104G/124G
2	93558600	AIR CAP GASKET	
3	93559600	COVER RING	
4	93570600	FLUID NOZZLE 0.4	MARKED AS L50/04
4	93568600	FLUID NOZZLE 0.6	MARKED AS L50/06
4	93761530	FLUID NOZZLE 0.8	MARKED AS L80/08
4	93560600	FLUID NOZZLE 1.0	MARKED AS L50/10
4	93760530	FLUID NOZZLE 1.2	MARKED AS L80/12
5	93891600	FLUID NEEDLE 0.4	MARKED AS I
5	93890600	FLUID NEEDLE 0.6/0.8	MARKED AS II
5	93886600	FLUID NEEDLE 1.0/1.2	MARKED AS III
6	93940890	NEEDLE PACKING SET	SET WITH No.7
7	N/A	NEEDLE PACKING SEAT	
8	N/A	GUN BODY	
8-1	93753530	FLUID NIPPLE	1/8" BSP FEMALE
8-2	93660300	AIR NIPPLE	1/4"
9	93748530	PATTERN ADJUST SET	
10	93912880	AIR VALVE SEAT SET	
10-1	96638005	O RING	
11	93011880	AIR VALVE SEAT SCREW	
12	93013880	AIR VALVE	
13	93012880	AIR VALVE SPRING	
14	93936880	FLUID ADJUST GUIDE SET	
15	93015880	FLUID NEEDLE SPRING	
16	93754530	FLUID ADJUST KNOB	
17	93006880	AIR VALVE SHAFT	
18	93845531	AIR ADJUST SET	
19	93167890	TRIGGER STUD	
20	93162890	TRIGGER	
21	93912030	STOPPER	2PCS/PACK
	93538600	GUN WRENCH	
	2860	REPAIR SERVICE KIT	6, 7, 10-1, 21
	2950	MK5 MAINTENANCE KIT	
	2981	TEST CAP GAUGE SET	042G/062G/082G/102G/122G
	2982	TEST CAP GAUGE SET "LPH80-E4"	104G/124G

LPH80  
Mini Gravity Feed

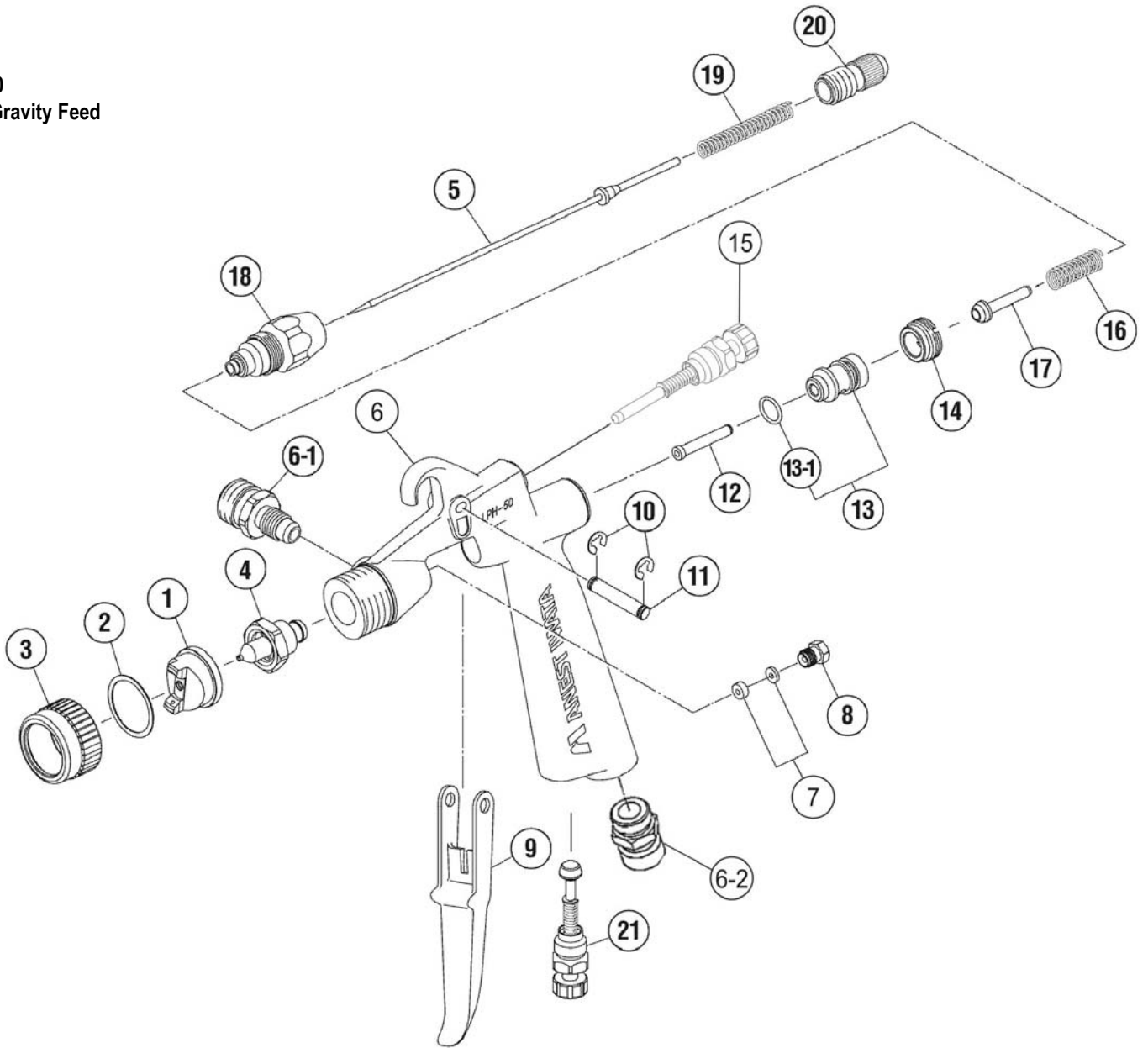




**LPH50  
Mini Gravity Feed**

Ref #	Part #	Description	Remarks
1	93557600	AIR CAP	
2	93558600	AIR CAP GASKET	
3	93559600	COVER RING	
4	93570600	FLUID NOZZLE 0.4	MARKED AS L50/04
4	93568600	FLUID NOZZLE 0.6	MARKED AS L50/06
4	93560600	FLUID NOZZLE 1.0	MARKED AS L50/10
5	93891600	FLUID NEEDLE 0.4	MARKED AS I
5	93890600	FLUID NEEDLE 0.6	MARKED AS II
5	93886600	FLUID NEEDLE 1.0	MARKED AS III
6	N/A	GUN BODY	
6-1	93005890	FLUID NIPPLE	1/4"
6-2	93660300	AIR NIPPLE	1/4"
7	93660300	NEEDLE PACKING SET	SET WITH No.8
8	N/A	NEEDLE PACKING SEAT	
9	93162890	TRIGGER	
10	93912030	STOPPER	2PCS/PACK
11	93167890	TRIGGER STUD	
12	93006880	AIR VALVE SHAFT	
13	93912880	AIR VALVE SEAT SET	
13-1	96638005	O RING	
14	93011880	AIR VALVE SEAT SCREW	
15	93888600	PATTERN ADJUST SET	
16	93012880	AIR VALVE SPRING	
17	93013880	AIR VALVE	
18	93936880	FLUID ADJUST GUIDE SET	
19	93015880	FLUID NEEDLE SPRING	
20	93017880	FLUID ADJUST KNOB	
21	93845531	AIR ADJUST SET	
	93538600	GUN WRENCH	
	2860	REPAIR SERVICE KIT	7, 8, 10, 13-1
	2950	MK5 MAINTENANCE KIT	
	2981	TEST CAP GAUGE SET	

LPH50  
Mini Gravity Feed

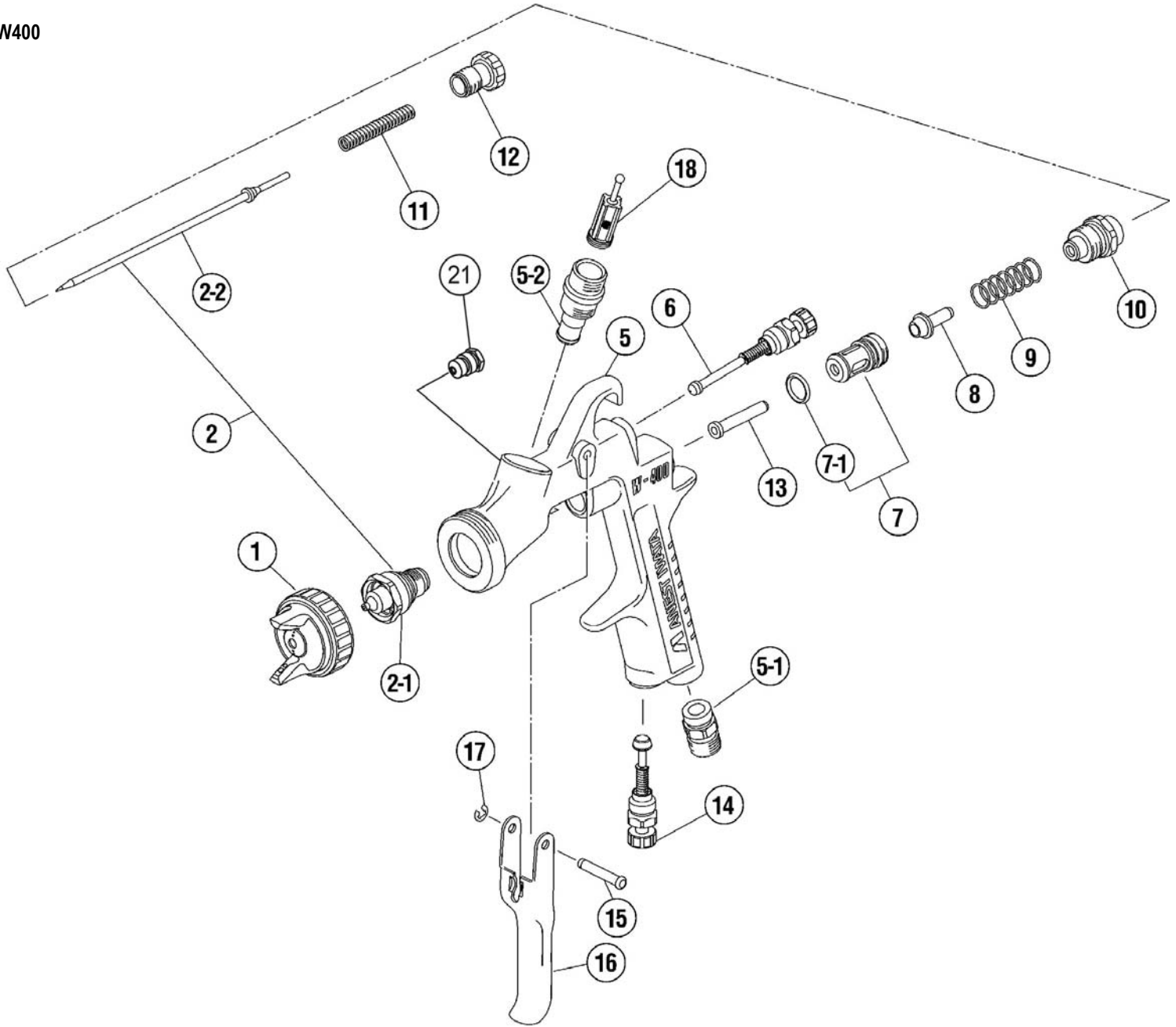




**W400**

Ref #	Part #	Description	Remarks
1	93830611	AIR CAP SET "W400-LV2"	122G/132G/142G/162G
1	93859611	AIR CAP SET "W400-LV1"	182G
1	93813611	AIR CAP SET "W200-W1"	251G
2	93891610	NOZZLE/NEEDLE SET 1.2	
2	93881610	NOZZLE/NEEDLE SET 1.3	
2	93831610	NOZZLE/NEEDLE SET 1.4	
2	93832610	NOZZLE/NEEDLE SET 1.6	
2	93821610	NOZZLE/NEEDLE SET 1.8	
2	93819610	NOZZLE/NEEDLE SET 2.5	
2-1	93527610	FLUID NOZZLE 1.2	MARKED AS W200/12
2-1	93611610	FLUID NOZZLE 1.3	MARKED AS W400/13
2-1	93540610	FLUID NOZZLE 1.4	MARKED AS W400/14
2-1	93541610	FLUID NOZZLE 1.6	MARKED AS W400/16
2-1	93525610	FLUID NOZZLE 1.8	MARKED AS W200/18
2-1	93523610	FLUID NOZZLE 2.5	MARKED AS W200/25
2-2	93829600	FLUID NEEDLE 1.2	MARKED AS 40012
2-2	93830600	FLUID NEEDLE 1.3/1.4/1.6	MARKED AS 20015
2-2	93831600	FLUID NEEDLE 1.8	MARKED AS 20020
2-2	93832600	FLUID NEEDLE 2.5	MARKED AS 20025
5	N/A	GUN BODY	
5-1	93660300	AIR NIPPLE	1/4"
5-2	93650531	FLUID NIPPLE	M16X1.5
6	93842601	PATTERN ADJUST SET	
7	93843530	AIR VALVE SEAT SET	
7-1	96638008	O RING	
8	93591530	AIR VALVE	
9	93719530	AIR VALVE SPRING	
10	93844531	FLUID ADJUST GUIDE SET	
11	93593530	FLUID NEEDLE SPRING	
12	93594532	FLUID ADJUST KNOB	
13	93595530	AIR VALVE SHAFT	
14	93845531	AIR ADJUST SET	
15	93667360	TRIGGER STUD	
16	93517600	TRIGGER	
17	93912030	STOPPER	2PCS/PACK
18	93515500	FILTER	60MESH
21	93765610	CARTDIRGE PACKING	
	93512600	L GASKET (BLACK)	FOR AIR CAP SET
	93708240	AIR CAP GASKET (WHITE)	
	93538600	GUN WRENCH	
	5650	REPAIR SERVICE KIT	7-1, 9, 11, 15, 17, 21
	2950	MK5 MAINTENANCE KIT	

W400



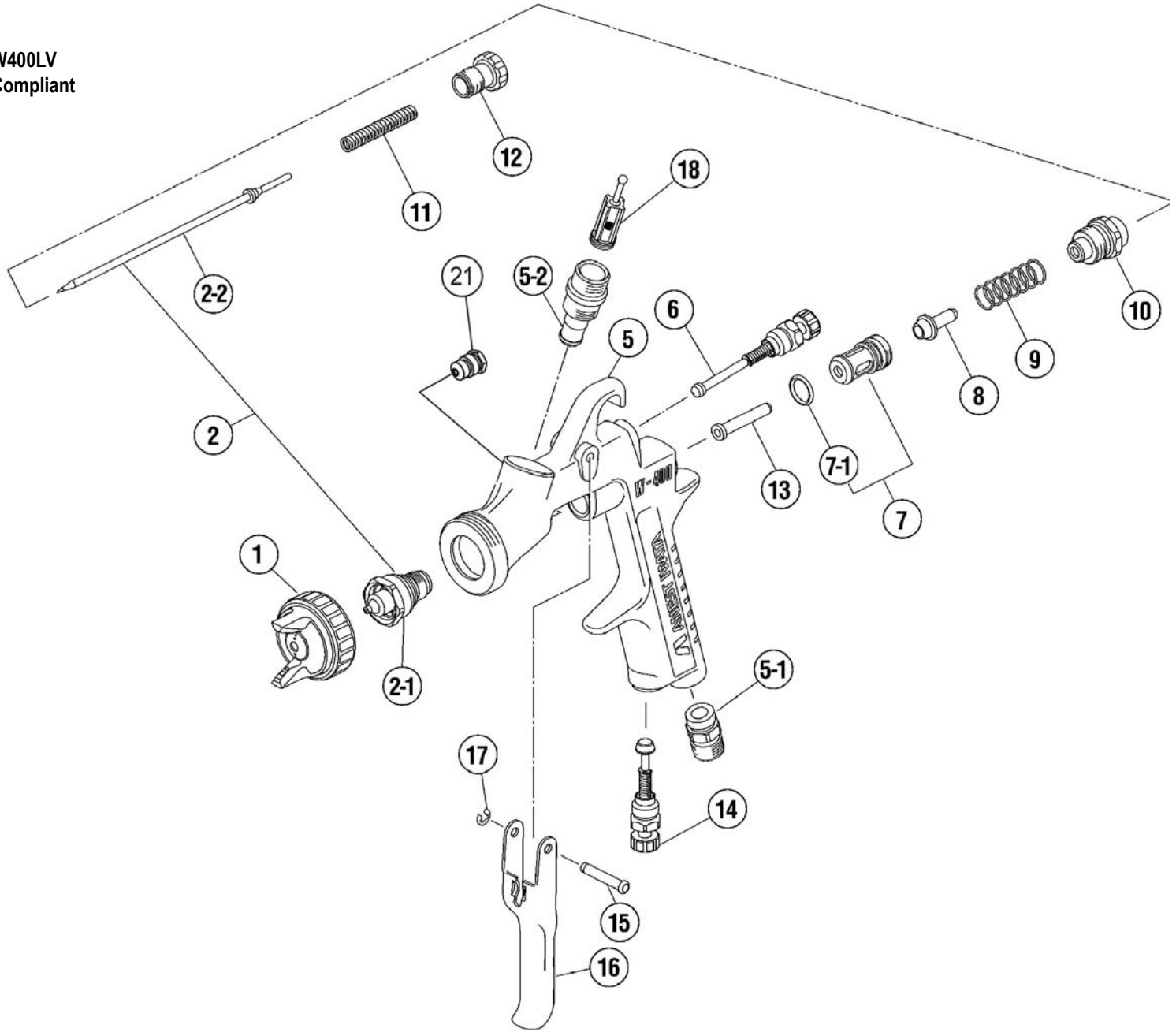


**W400LV  
Compliant**

Ref #	Part #	Description	Remarks
1	93631621	AIR CAP SET "W400-LV4"	20PSI
2	93627610	NOZZLE/NEEDLE SET 1.2	
2	93634610	NOZZLE/NEEDLE SET 1.3	
2	93628610	NOZZLE/NEEDLE SET 1.4	
2	93622620	NOZZLE/NEEDLE SET 1.6	
2	93635620	NOZZLE/NEEDLE SET 1.8	
2-1	93624610	FLUID NOZZLE 1.2	MARKED AS 400WB/12
2-1	93633610	FLUID NOZZLE 1.3	MARKED AS 400WB/13
2-1	93625610	FLUID NOZZLE 1.4	MARKED AS 400WB/14
2-1	93621620	FLUID NOZZLE 1.6	MARKED AS 400WB/16
2-1	93636620	FLUID NOZZLE 1.8	MARKED AS 400WB/18
2-2	93829600	FLUID NEEDLE 1.2	MARKED AS 40012
2-2	93830600	FLUID NEEDLE 1.3/1.4/1.6	MARKED AS 20015
2-2	93831600	FLUID NEEDLE 1.8	MARKED AS 20020
5	N/A	GUN BODY	
5-1	93660300	AIR NIPPLE	1/4"
5-2	93650531	FLUID NIPPLE	M16X1.5
6	93842601	PATTERN ADJUST SET	
7	93843530	AIR VALVE SEAT SET	
7-1	96638008	O RING	
8	93591530	AIR VALVE	
9	93719530	AIR VALVE SPRING	
10	93844531	FLUID ADJUST GUIDE SET	
11	93593530	FLUID NEEDLE SPRING	
12	93594532	FLUID ADJUST KNOB	
13	93595530	AIR VALVE SHAFT	
14	93845531	AIR ADJUST SET	
15	93667360	TRIGGER STUD	
16	93517600	TRIGGER	
17	93912030	STOPPER	2PCS/PACK
18	93515500	FILTER	60MESH
21	93765610	CARTRIDGE PACKING	
	93512600	L GASKET (BLACK)	FOR AIR CAP SET
	93708240	AIR CAP GASKET (WHITE)	
	93538600	GUN WRENCH	
	5650	REPAIR SERVICE KIT	7-1, 9, 11, 15, 17, 21
	2950	MK5 MAINTENANCE KIT	
	8130	AK-1B AIR FLOW CONTROL VALVE	FOR W400LV COMPLIANT



W400LV  
Compliant

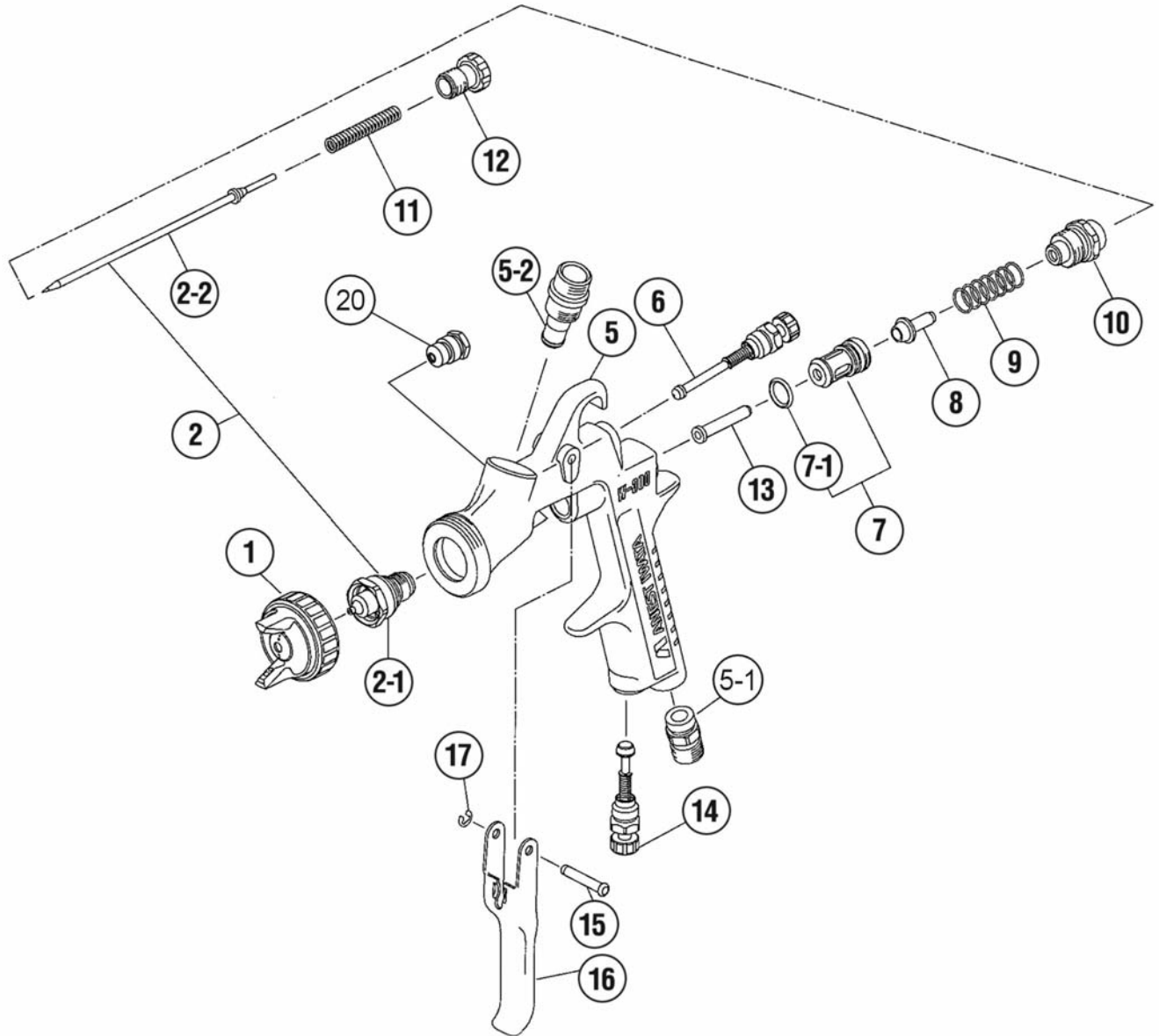




**W300**

Ref #	Part #	Description	Remarks
1	93689610	AIR CAP SET "W101-E1"	081G
1	93735610	AIR CAP SET "W101-K1"	101G/141G
1	93696610	AIR CAP SET "W101-H2"	132G
1	93662610	AIR CAP SET "W101-H4"	134G
1	93700610	AIR CAP SET "W101-N1"	161G
2	93590620	NOZZLE/NEEDLE SET 0.8	
2	93600620	NOZZLE/NEEDLE SET 1.0	
2	93801610	NOZZLE/NEEDLE SET 1.3	
2	93626620	NOZZLE/NEEDLE SET 1.4	
2	93627620	NOZZLE/NEEDLE SET 1.6	
2-1	93513610	FLUID NOZZLE 0.8	MARKED AS W100/08
2-1	93582610	FLUID NOZZLE 1.0	MARKED AS W100/T10
2-1	93501610	FLUID NOZZLE 1.3	MARKED AS W100/13
2-1	93628620	FLUID NOZZLE 1.4	MARKED AS W100/14
2-1	93629620	FLUID NOZZLE 1.6	MARKED AS W100/16
2-2	93589620	FLUID NEEDLE 0.8/1.0	MARKED AS 30008
2-2	93578530	FLUID NEEDLE 1.3/1.4/1.6	MARKED AS 10013
5	N/A	GUN BODY	
5-1	93660300	AIR NIPPLE	1/4"
5-2	93575620	FLUID NIPPLE	1/4" BSP FEMALE
6	93577620	PATTERN ADJUST SET	
7	93843530	AIR VALVE SEAT SET	
7-1	96638008	O RING	
8	93591530	AIR VALVE	
9	93719530	AIR VALVE SPRING	
10	93844531	FLUID ADJUST GUIDE SET	
11	93593530	FLUID NEEDLE SPRING	
12	93594532	FLUID ADJUST KNOB	
13	93595530	AIR VALVE SHAFT	
14	93845531	AIR ADJUST SET	
15	93667360	TRIGGER STUD	
16	93597530	TRIGGER	
17	93912030	STOPPER	2PCS/PACK
20	93765610	CARTRIDGE PACKING	
	93576530	L GASKET (BLACK)	FOR AIR CAP SET
	93608320	AIR CAP GASKET (WHITE)	
	93538600	GUN WRENCH	
	5650	REPAIR SERVICE KIT	7-1, 9, 11, 15, 17, 20
	2950	MK5 MAINTENANCE KIT	

W300

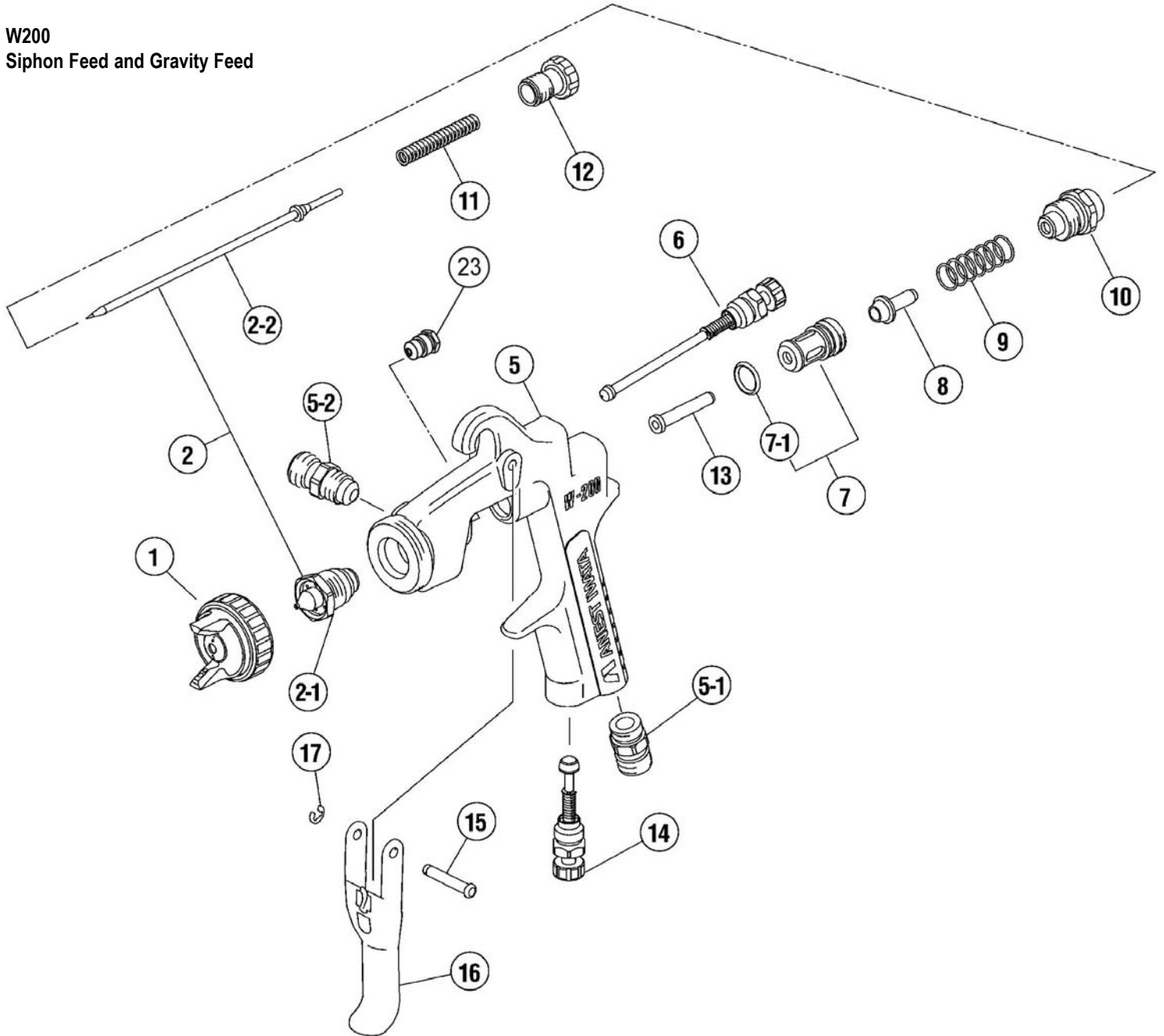




**W200  
Siphon Feed and  
Gravity Feed**

Ref #	Part #	Description	Remarks
1	93817611	AIR CAP SET "W200-K1"	151S/G
1	93816611	AIR CAP SET "W200-K2"	152S/G,182S
1	93815610	AIR CAP SET "W200-R1"	201S/G
1	93814611	AIR CAP SET "W200-R2"	202S/G
1	93813611	AIR CAP SET "W200-W1"	251S/G
2	93822610	NOZZLE/NEEDLE SET 1.5	
2	93821610	NOZZLE/NEEDLE SET 1.8	
2	93820610	NOZZLE/NEEDLE SET 2.0	
2	93819610	NOZZLE/NEEDLE SET 2.5	
2-1	93526610	FLUID NOZZLE 1.5	MARKED AS W200/15
2-1	93525610	FLUID NOZZLE 1.8	MARKED AS W200/18
2-1	93524610	FLUID NOZZLE 2.0	MARKED AS W200/20
2-1	93523610	FLUID NOZZLE 2.5	MARKED AS W200/25
2-2	93830600	FLUID NEEDLE 1.5	MARKED AS 20015
2-2	93831600	FLUID NEEDLE 1.8/2.0	MARKED AS 20020
2-2	93832600	FLUID NEEDLE 2.5	MARKED AS 20025
5	N/A	GUN BODY	
5-1	93660300	AIR NIPPLE	1/4"
5-2	93515600	FLUID NIPPLE	3/8"
6	93840601	PATTERN ADJUST SET	
7	93843530	AIR VALVE SEAT SET	
7-1	96638008	O RING	
8	93591530	AIR VALVE	
9	93719530	AIR VALVE SPRING	
10	93844531	FLUID ADJUST GUIDE SET	
11	93593530	FLUID NEEDLE SPRING	
12	93594532	FLUID ADJUST KNOB	
13	93595530	AIR VALVE SHAFT	
14	93845531	AIR ADJUST SET	
15	93667360	TRIGGER STUD	
16	93517600	TRIGGER	
17	93912030	STOPPER	2PCS/PACK
23	93765610	CARTRIDGE PACKING	
	93512600	L GASKET (BLACK)	FOR AIR CAP SET
	93708240	AIR CAP GASKET (WHITE)	
	93538600	GUN WRENCH	
	5650	REPAIR SERVICE KIT	7-1, 9, 11, 15, 17, 23
	2950	MK5 MAINTENANCE KIT	

**W200**  
**Siphon Feed and Gravity Feed**





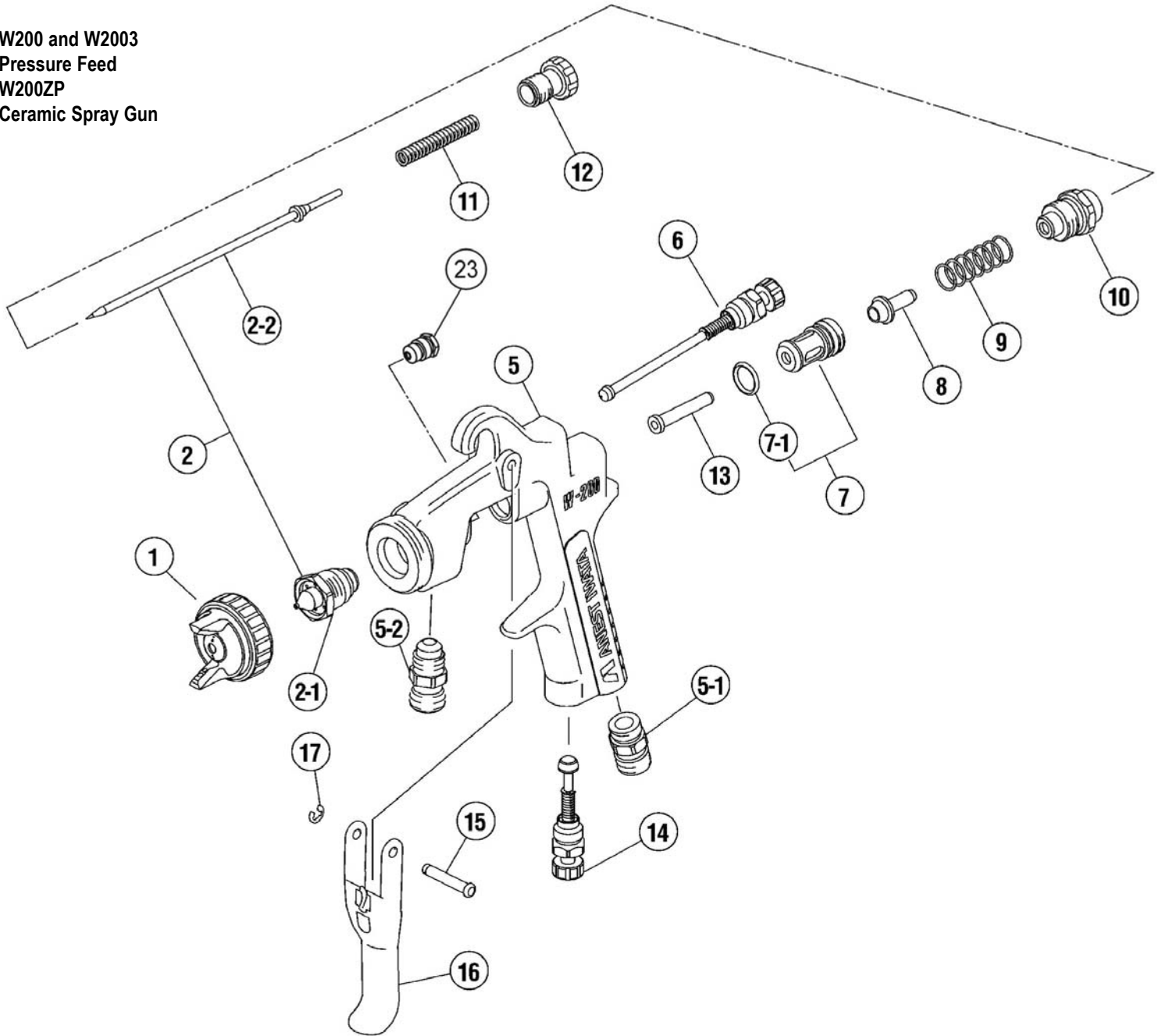
**Manual Spray Guns**

**W200 and W2003  
Pressure Feed**

**W200ZP  
Ceramic Spray Gun**

Ref #	Part #	Description	Remarks
1	93818611	AIR CAP SET "W200-G2P"	W200
1	93815610	AIR CAP SET "W200-R1"	W2003
1	93871611	AIR CAP SET "W200-R1Z"	W200ZP
2	93891610	NOZZLE/NEEDLE SET 1.2	W200
2	93820610	NOZZLE/NEEDLE SET 2.0	W2003
2	93872610	NOZZLE/NEEDLE SET 2.0	W200ZP, CARBIDE
2	93874610	NOZZLE/NEEDLE SET 2.5	W200ZP, CARBIDE
2-1		FLUID NOZZLE	SUPPLIED AS SET
2-2		FLUID NEEDLE	SUPPLIED AS SET
5	N/A	GUN BODY	
5-1	93660300	AIR NIPPLE	1/4"
5-2	93515600	FLUID NIPPLE	3/8", W200/W200ZP
5-2	93161710	FLUID NIPPLE (FEMALE)	W2003
5-3	93910710	GASKET (NOT SHOWN)	W2003, 2PCS/PACK
6	93840601	PATTERN ADJUST SET	
7	93843530	AIR VALVE SEAT SET	
7-1	96638008	O RING	
8	93591530	AIR VALVE	
9	93719530	AIR VALVE SPRING	
10	93844531	FLUID ADJUST GUIDE SET	
11	93593530	FLUID NEEDLE SPRING	
12	93594532	FLUID ADJUST KNOB	
13	93595530	AIR VALVE SHAFT	
14	93845531	AIR ADJUST SET	
15	93667360	TRIGGER STUD	
16	93517600	TRIGGER	
17	93912030	STOPPER	2PCS/PACK
23	93765610	CARTRIDGE PACKING	
	93512600	L GASKET (BLACK)	FOR AIR CAP SET
	93708240	AIR CAP GASKET (WHITE)	
	93538600	GUN WRENCH	
	5650	REPAIR SERVICE KIT	7-1, 9, 11, 15, 17, 23
	2950	MK5 MAINTENANCE KIT	
	6035	PC19B CONTAINER	FOR W2003

W200 and W2003  
 Pressure Feed  
 W200ZP  
 Ceramic Spray Gun



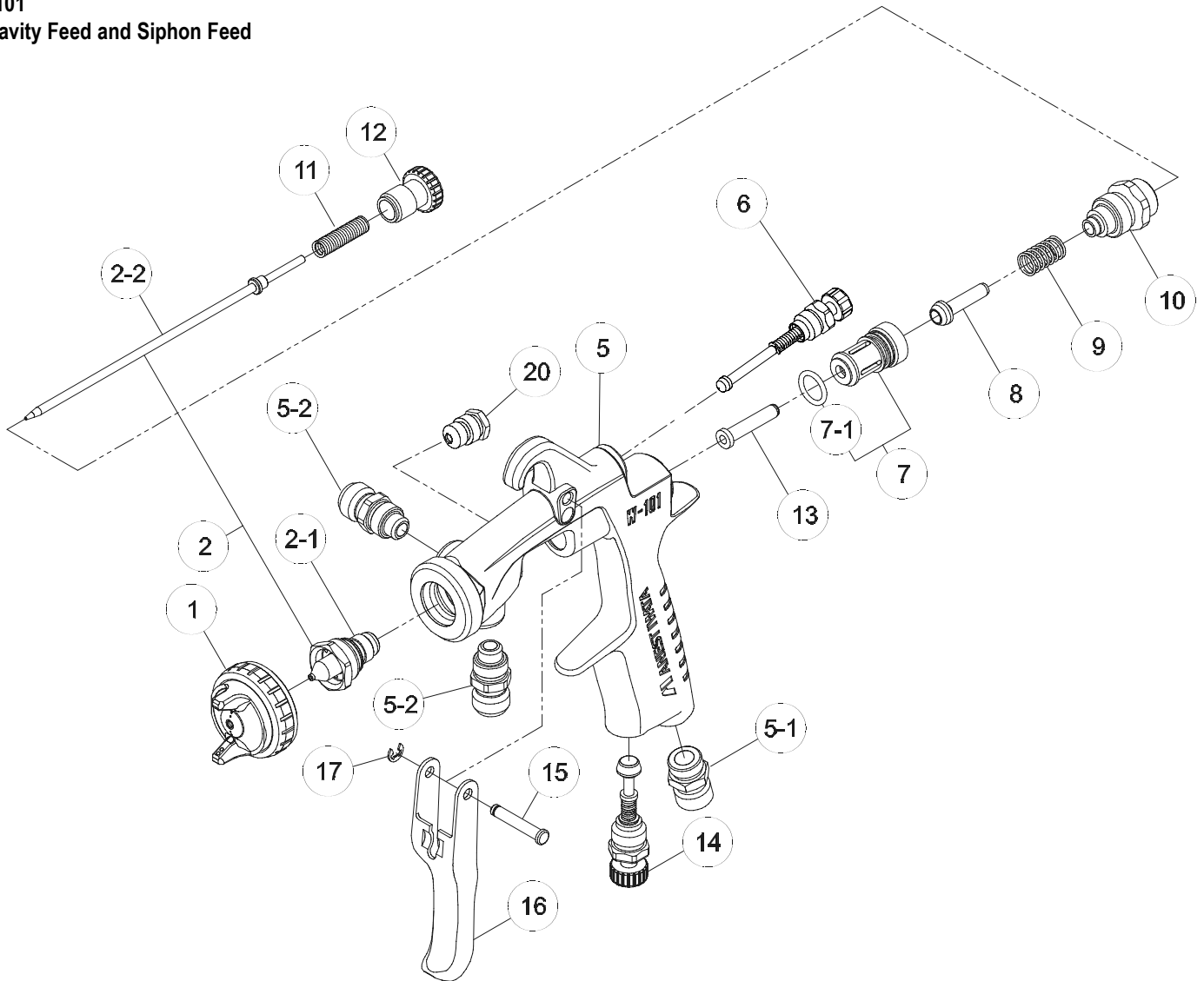


**W101  
Gravity Feed and  
Siphon Feed**

Ref #	Part #	Description	Remarks
1	93689610	AIR CAP SET "W101-E1"	W101/100-101G/S
1	93735610	AIR CAP SET "W101-K1"	W101/100-131G/S,151G/S
1	93696610	AIR CAP SET "W101-H2"	W101/100-132G/S,152G/S
1	93662610	AIR CAP SET "W101-H4"	W101/100-134G/S
1	93700610	AIR CAP SET "W101-N1"	W101/100-181G/S
2	93691610	NOZZLE/NEEDLE SET 1.0	W101/100
2	93666610	NOZZLE/NEEDLE SET 1.3	W101/100
2	93698610	NOZZLE/NEEDLE SET 1.5	W101/100
2	93702610	NOZZLE/NEEDLE SET 1.8	W101/100
2-1	93692610	FLUID NOZZLE 1.0	W101/100, MARKED AS W101/10
2-1	93667610	FLUID NOZZLE 1.3	W101/100, MARKED AS W101/13
2-1	93699610	FLUID NOZZLE 1.5	W101/100, MARKED AS W101/15
2-1	93703610	FLUID NOZZLE 1.8	W101/100, MARKED AS W101/18
2-2	93537600	FLUID NEEDLE 1.0	MARKED AS 10008H
2-2	93578530	FLUID NEEDLE 1.3/1.5	MARKED AS 10013
2-2	93703530	FLUID NEEDLE 1.8	MARKED AS 10018
5	N/A	GUN BODY	
5-1	93660300	AIR NIPPLE	1/4"
5-2	93584530	FLUID NIPPLE	1/4"
6	93842531	PATTERN ADJUST SET	
7	93843530	AIR VALVE SEAT SET	
7-1	96638008	O RING	
8	93591530	AIR VALVE	
9	93719530	AIR VALVE SPRING	
10	93844531	FLUID ADJUST GUIDE SET	
11	93593530	FLUID NEEDLE SPRING	
12	93594532	FLUID ADJUST KNOB	
13	93595530	AIR VALVE SHAFT	
14	93845531	AIR ADJUST SET	
15	93667360	TRIGGER STUD	
16	93597530	TRIGGER	
17	93912030	STOPPER	2PCS/PACK
20	93765610	CARTRIDGE PACKING	
	93576530	L GASKET (BLACK)	FOR AIR CAP SET
	93608320	AIR CAP GASKET (WHITE)	
	93538600	GUN WRENCH	
	5650	REPAIR SERVICE KIT	7-1, 9, 11, 15, 17, 20
	2950	MK5 MAINTENANCE KIT	



**W101**  
**Gravity Feed and Siphon Feed**



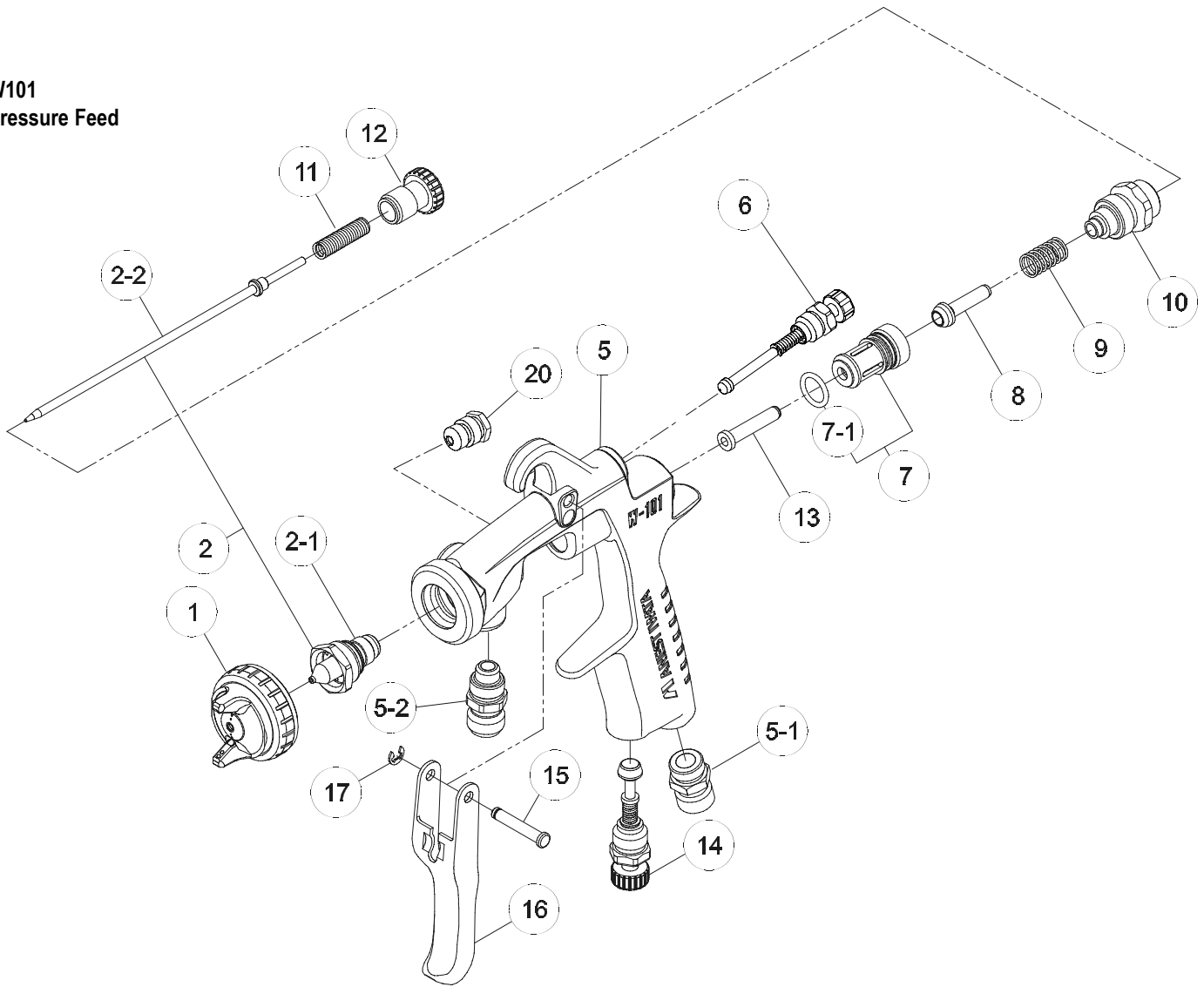


Manual Spray Guns

**W101**  
Pressure Feed

Ref #	Part #	Description	Remarks
1	93704610	AIR CAP SET "W101-E2P"	W101/100
2	93706610	NOZZLE/NEEDLE SET 0.8	W101/100
2	93691610	NOZZLE/NEEDLE SET 1.0	W101/100
2	93666610	NOZZLE/NEEDLE SET 1.3	W101/100
2	93698610	NOZZLE/NEEDLE SET 1.5	W101/100
2-1		FLUID NOZZLE	SUPPLIED AS SET
2-2		FLUID NEEDLE	SUPPLIED AS SET
5	N/A	GUN BODY	
5-1	93660300	AIR NIPPLE	1/4"
5-2	93515600	FLUID NIPPLE	3/8"
5-2	93584530	FLUID NIPPLE	1/4" (OPTION)
6	93842531	PATTERN ADJUST SET	
7	93843530	AIR VALVE SEAT SET	
7-1	96638008	O RING	
8	93591530	AIR VALVE	
9	93719530	AIR VALVE SPRING	
10	93844531	FLUID ADJUST GUIDE SET	
11	93593530	FLUID NEEDLE SPRING	
12	93594532	FLUID ADJUST KNOB	
13	93595530	AIR VALVE SHAFT	
14	93845531	AIR ADJUST SET	
15	93667360	TRIGGER STUD	
16	93597530	TRIGGER	
17	93912030	STOPPER	2PCS/PACK
20	93765610	CARTRIDGE PACKING	
	93576530	L GASKET (BLACK)	FOR AIR CAP SET
	93608320	AIR CAP GASKET (WHITE)	
	93538600	GUN WRENCH	
	5650	REPAIR SERVICE KIT	7-1, 9, 11, 15, 17, 20
	2950	MK5 MAINTENANCE KIT	

**W101**  
**Pressure Feed**

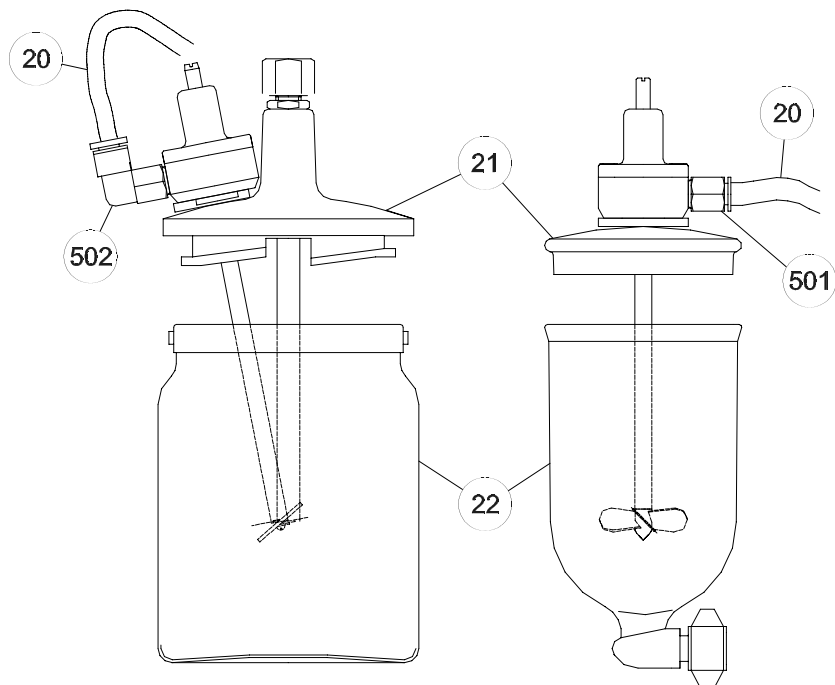
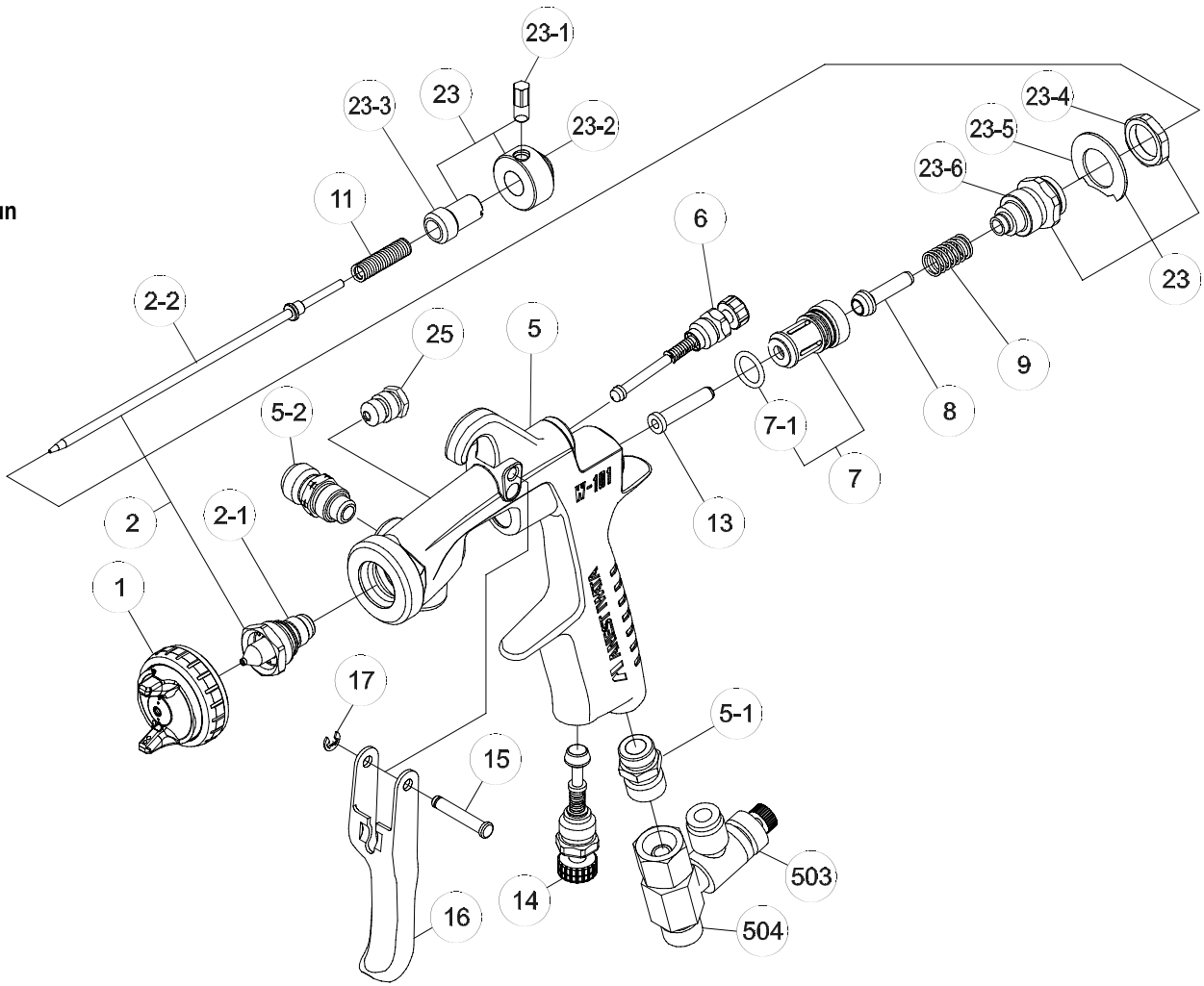




**W101A  
Agitator Gun**

Ref #	Part #	Description	Remarks
1	93662610	AIR CAP SET "W101-H4"	W101A/100A
2	93746610	NOZZLE/NEEDLE SET 1.0	W101A/100A
2	93666610	NOZZLE/NEEDLE SET 1.3	W101A/100A
2-1	93747610	FLUID NOZZLE 1.0	W101A/100A, MARKED W101/T10
2-1	93667610	FLUID NOZZLE 1.3	W101A/100A, MARKED W101/13
2-2	93537600	FLUID NEEDLE 1.0	MARKED AS 10008H
2-2	93578530	FLUID NEEDLE 1.3	MARKED AS 10013
5	N/A	GUN BODY	
5-1	93660300	AIR NIPPLE	1/4"
5-2	93584530	FLUID NIPPLE	1/4"
6	93842531	PATTERN ADJUST SET	
7	93843530	AIR VALVE SEAT SET	
7-1	96638008	O RING	
8	93591530	AIR VALVE	
9	93719530	AIR VALVE SPRING	
11	93593530	FLUID NEEDLE SPRING	
13	93595530	AIR VALVE SHAFT	
14	93845531	AIR ADJUST SET	
15	93667360	TRIGGER STUD	
16	93597530	TRIGGER	
17	93912030	STOPPER	2PCS/PACK
20	93500510	AIR TUBE	FOR GRAVITY FEED
20	93507510	AIR TUBE	FOR SIPHON FEED
21	93858610	AIR MOTOR/LID SET	FOR GRAVITY FEED
21	93856610	AIR MOTOR/LID SET	FOR SIPHON FEED
22	94000092	CONTAINER ONLY (PC4S)	FOR GRAVITY FEED
22	94000050	CONTAINER ONLY (PC2)	FOR SIPHON FEED
23	93857610	QUICK FLUID ADJUST SET	
23-1		FLUID ADJUST LEVER	SUPPLIED AS SET
23-2		FLUID ADJUST KNOB	SUPPLIED AS SET
23-3		FLUID ADJUST SCREW	SUPPLIED AS SET
23-4		LOCKING NUT	SUPPLIED AS SET
23-5		DIAL PLATE	SUPPLIED AS SET
23-6	93861610	FLUID ADJUST GUIDE SET	
25	93765610	CARTRIDGE PACKING	
501	96801161	HALF UNION	FOR GRAVITY FEED
502	96800161	ELBOW UNION	FOR SIPHON FEED
503	97992436	FLOW CONTROL VALVE	
504	93503510	ADAPTOR	
	93576530	L GASKET (BLACK)	FOR AIR CAP SET
	93608320	AIR CAP GASKET (WHITE)	
	93538600	GUN WRENCH	
	5650	REPAIR SERVICE KIT	7-1, 9, 11, 15, 17, 25
	2950	MK5 MAINTENANCE KIT	

**W101A  
Agitator Gun**



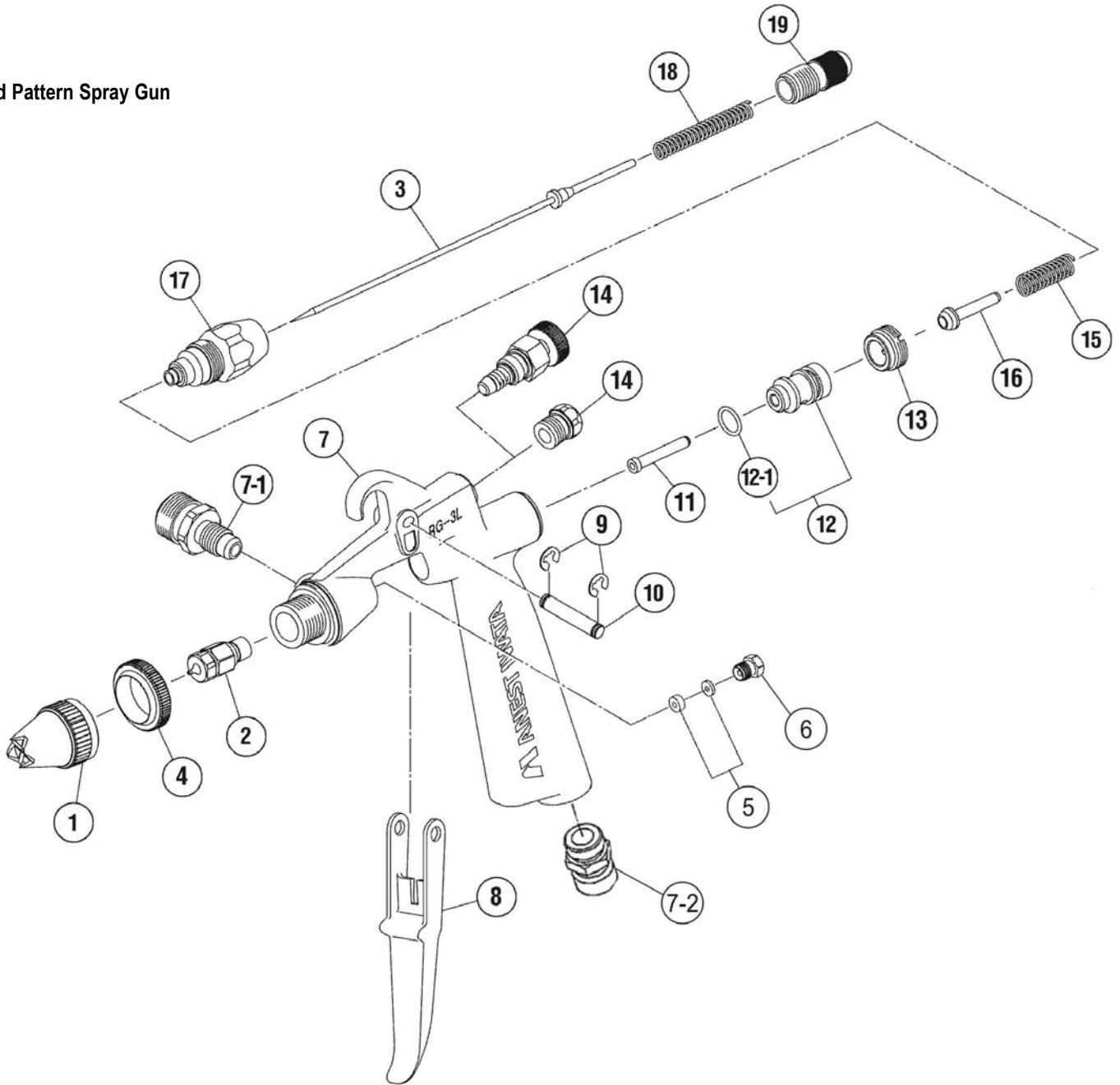


**Manual Spray Guns**

**RG3L  
Round Pattern  
Spray Gun**

Ref #	Part #	Description	Remarks
1	93022890	AIR CAP "1"	1/11
1	93025880	AIR CAP "2"	2/12
1	93026880	AIR CAP "3"	3/13
1	93023881	FAN PATTERN AIR CAP	S3
2	93042880	FLUID NOZZLE 0.4	1/11, MARKED AS 1
2	93041880	FLUID NOZZLE 0.6	2/12/S3, MARKED AS 2
2	93040890	FLUID NOZZLE 1.0	3/13, MARKED AS 3
3	93910880	FLUID NEEDLE 0.4	MARKED AS I
3	93937880	FLUID NEEDLE 0.6	MARKED AS II
3	93938880	FLUID NEEDLE 1.0	MARKED AS III
4	93028890	JAM NUT	
5	93940890	NEEDLE PACKING SET	SET WITH No.6
6	N/A	NEEDLE PACKING SEAT	
7	N/A	GUN BODY	
7-1	93005890	FLUID NIPPLE	1/4"
7-2	93660300	AIR NIPPLE	1/4"
8	93162890	TRIGGER	
9	93912030	STOPPER	2PCS/PACK
10	93167890	TRIGGER STUD	
11	93006880	AIR VALVE SHAFT	
12	93912880	AIR VALVE SEAT SET	
12-1	96638005	O RING	
13	93011880	AIR VALVE SEAT SCREW	
14	93027880	BLANKING PLUG	1/2/3/S3
14	93939880	AIR ADJUST SET	11/12/13
15	93012880	AIR VALVE SPRING	
16	93013880	AIR VALVE	
17	93936880	FLUID ADJUST GUIDE SET	
18	93015880	FLUID NEEDLE SPRING	
19	93017880	FLUID ADJUST KNOB	
	93538600	GUN WRENCH	
	2860	REPAIR SERVICE KIT	5, 6, 9, 12-1
	2950	MK5 MAINTENANCE KIT	

**RG3L**  
**Round Pattern Spray Gun**





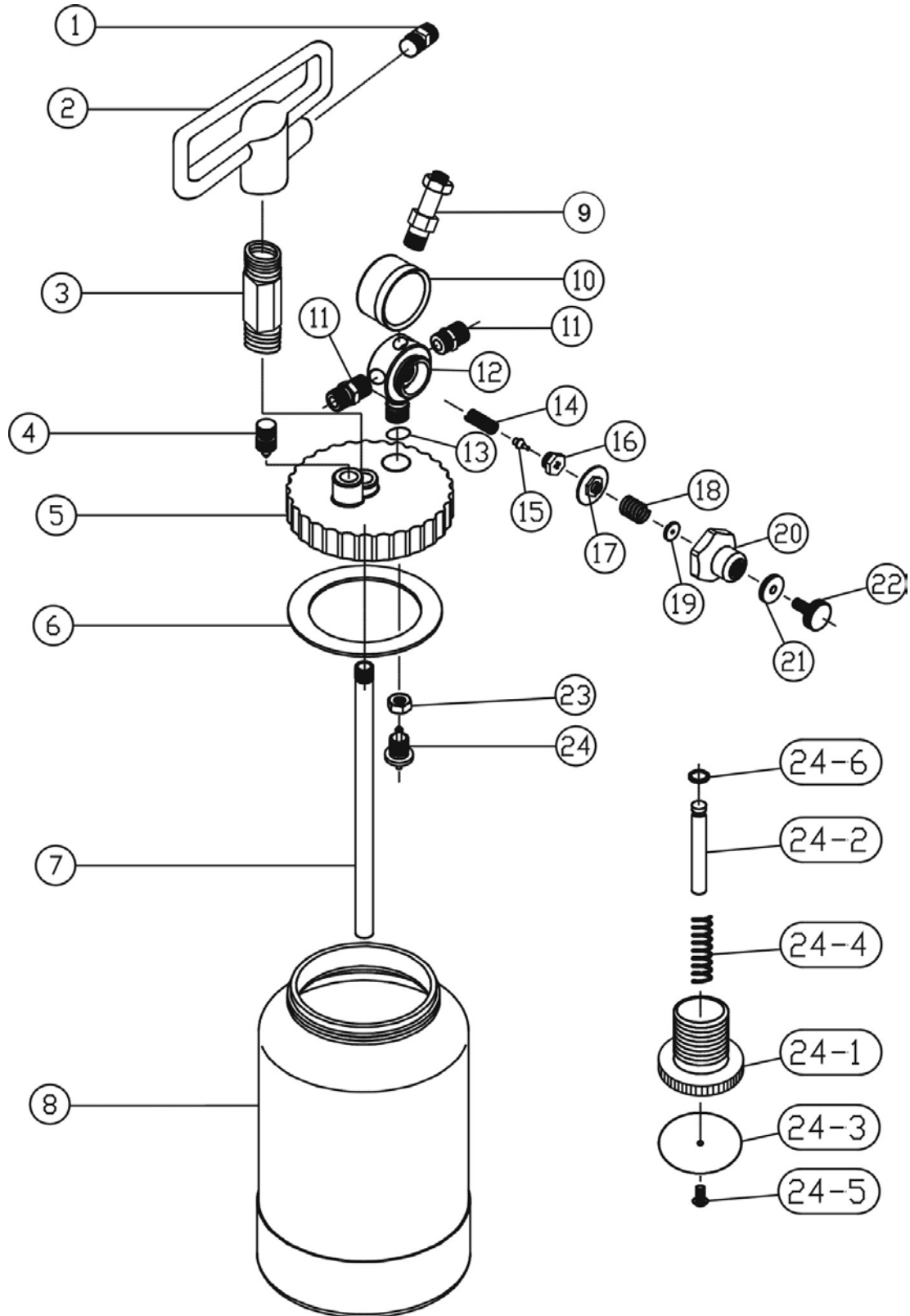
Cups & Containers

**PC18D  
Pressure Pot**

Ref #	Part #	Description	Remarks
1	94056350	FLUID JOINT	3/8" BSP
2	94055350	HANDLE	
3	94057350	HANDLE JOINT	
4	94003350	AIR RELIEF VALVE	
5	94053350	LID	
6	94900210	LID PACKING	2PCS/PACK
7	94001350	SUCTION PIPE	
8	94000351	CONTAINER	
9	94007350	SAFETY VALVE SET	
10	94006350	PRESSURE GAUGE	
11	94027350	REGULATOR JOINT	1/4" BSP
12	94049350	AIR REGULATOR BODY	
13	96631012	O RING	
14	94016350	SPRING	
15	94017350	REGULATOR SEAT	
16	94018350	GUIDE	
17	94019350	DIAPHRAGM SET	
18	94023350	SPRING	
19	94038350	SPRING HOLDER	
20	94024350	CAP (BLUE)	
21	94025350	NUT	
22	94026350	KNOB	
23	94058350	NUT	
24	94904151	CHECK VALVE SET	
24-1	94030152	CHECK VALVE BODY	
24-2	94034210	CHECK VALVE STEM	
24-3	94035210	CHECK VALVE PLATE	
24-4	95104101	SPRING	
24-5	96162040	SCREW	
24-6	96612020	STOPPER	
	7970	AIR REGULATOR REPAIR KIT	14, 15, 16, 17, 18, 19



PC18D  
Pressure Pot



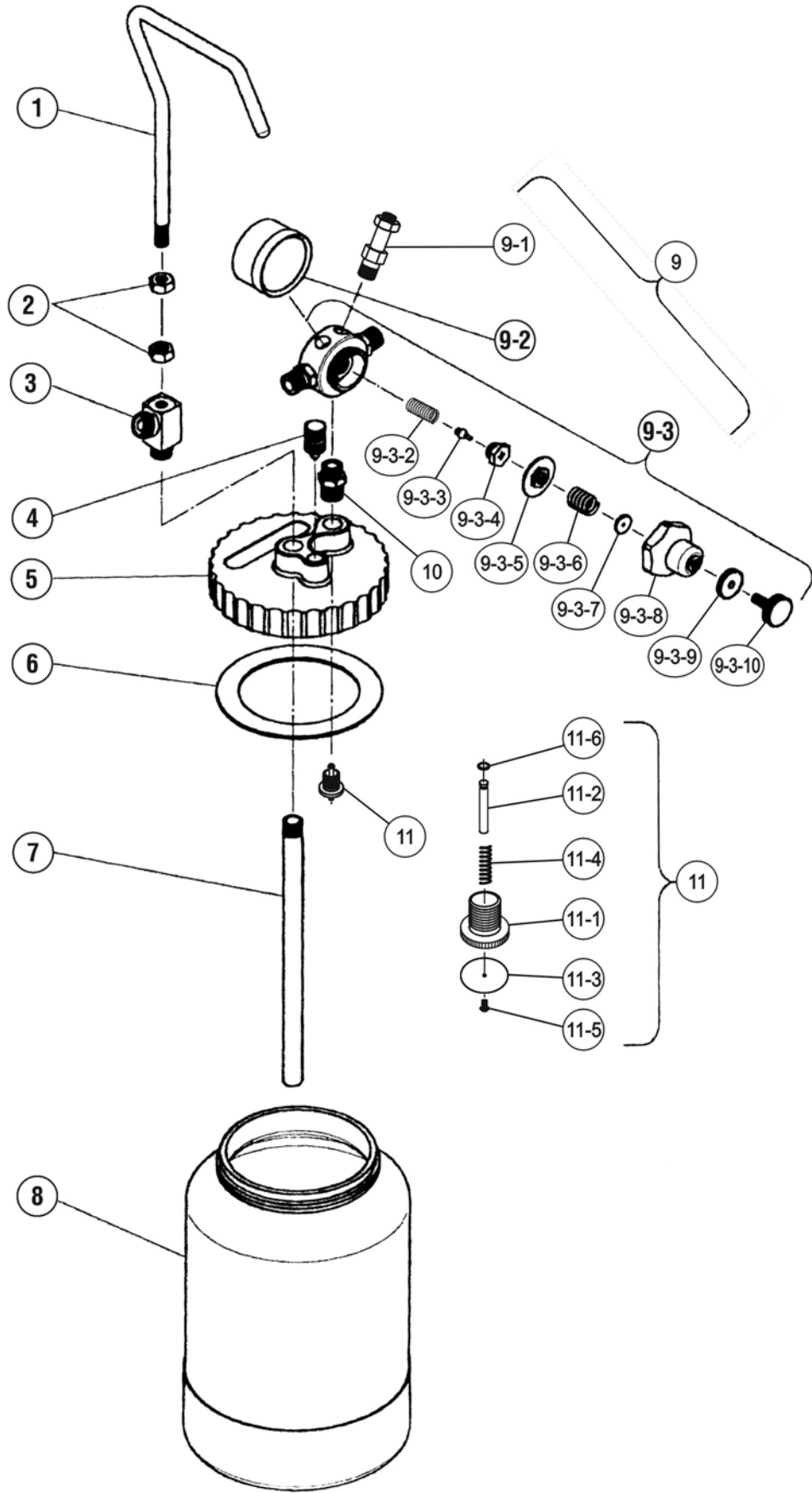


Cups & Containers

**PC18C  
Pressure Pot**

Ref #	Part #	Description	Remarks
1	94040350	HANDLE	
2		HEX NUT	SUPPLIED WITH #1
3	94004350	FLUID JOINT	3/8" BSP
4	94003350	AIR RELIEF VALVE	
5	94002350	LID	
6	94900210	LID PACKING	2PCS/PACK
7	94001350	SUCTION PIPE	
8	94000351	CONTAINER ONLY	
9	94005360	AIR REGULATOR SET	
9-1	94007350	SAFETY VALVE	
9-2	94006350	PRESSURE GAUGE	
9-3	94013350	AIR REGULATOR	
9-3-2	94016350	SPRING	
9-3-3	94017350	REGULATOR SEAT	
9-3-4	94018350	GUIDE	
9-3-5	94019350	DIAPHRAGM SET	
9-3-6	94023350	SPRING	
9-3-7	94038350	SPRING HOLDER	
9-3-8	N/A	CAP (PURPLE)	
9-3-9	94025350	NUT	
9-3-10	94026350	KNOB	
10	94027350	REGULATOR JOINT	
11	94904151	CHECK VALVE SET	
11-1	94030152	CHECK VALVE BODY	
11-2	94034210	CHECK VALVE STEM	
11-3	94035210	CHECK VALVE PLATE	
11-4	95104101	SPRING	
11-5	96162040	SCREW	
11-6	96612020	STOPPER	
	7970	AIR REGULATOR REPAIR KIT	9-3-2 THROUGH 9-3-7

PC18C  
Pressure Pot

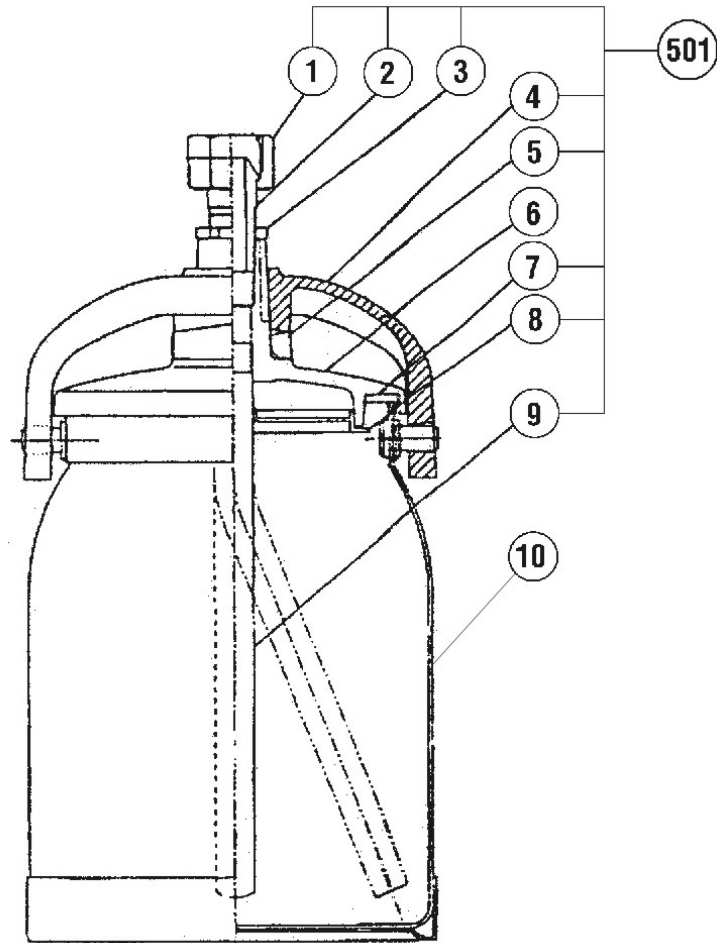




**PCG/PC/PCL**

Ref #	Part #	Description	Remarks
<b>PCG7/10/4/2 Center Post Gravity Cup</b>			
	94008321	LID	PCG7/10/4
	94007320	LID	PCG2
<hr/>			
<b>PCG6P Plastic Cup</b>			
	94002321	LID	
	94003320	VENT KNOB	
<hr/>			
<b>PC4/4S/5/51/61 Side Gravity Cup</b>			
	94001080	LID	PC4/4S
	94001100	LID	PC5
	94001181	LID	PC51 (SST)
	94001191	LID	PC61 (SST)
	94007320	PLASTIC LID	PC61 (OPTION)
	94000081	CONTAINER ONLY	PC4
	94000092	CONTAINER ONLY	PC4S
	94000100	CONTAINER ONLY	PC5
<hr/>			
<b>PCL7B/10B Siphon Cup</b>			
1	94017021	CAP NUT	PCL7B2/10B2, 1/4"
1	94017001	CAP NUT	PCL7B3/10B3, 3/8"
2	94012281	JOINT SEAT	PCL7B2/10B2
2	94024281	JOINT SEAT	PCL7B3/10B3
4		ARM	SUPPLIED AS 501
5		LEVER	SUPPLIED AS 501
6		LID	SUPPLIED AS 501
7	94008300	LID PACKING	2PCS/PACK
8	94904302	PC PLATE	2PCS/PACK
9		SUCTION PIPE	SUPPLIED AS 501
10	94904291	CONTAINER ONLY	PCL7B2/7B3
10	94904281	CONTAINER ONLY	PCL10B2/10B3
501	94901300	LID SET	PCL7B2
501	94901311	LID SET	PCL7B3
501	94901281	LID SET	PCL10B2
501	94901291	LID SET	PCL10B3
<hr/>			
<b>PC19B Pressurized Container</b>			
	94903170	LID PACKING	2PCS/PACK
	94000160	CONTAINER ONLY	

PCL7B/10B









**ANEST IWATA USA, Inc.**  
9920 Windisch Road, West Chester, OH 45069  
Tel: (513) 755-3100  
Fax: (513) 755-0888  
Toll Free: 1-800-440-0282  
Web: [www.anestiwata.com](http://www.anestiwata.com)  
Email: [inquiry@anestiwata.com](mailto:inquiry@anestiwata.com)

Models and specifications subject to change without notice.

© Copyright 2009, ANEST IWATA USA, Inc.

Printed in USA

AI-US-102E

REV. E