

NOVA Energy & Automation



## Product Specifications

### 10 inch Wall Duct

Model W103560 Ferrous and Non Ferrous

A 3D perspective rendering of a duct section. The duct is shown in a dark blue color with a slight gradient. It is a rectangular duct with a flange on one side. The rendering shows the duct from an angle, highlighting its depth and the flange. The background is white.

03 January 2012

# Product Description

---

## 1. Large Capacity Wire Ways

Large capacity metal wire ways are commonly used to route signalling, power, data, and mechanical connections to medical imaging equipment during new construction and renovations. Wire ways allow cable routing to be accomplished in applications where conduit is not feasible while maintaining the integrity and aesthetics of the medical imaging suite. Upgrades and maintenance to the medical imaging equipment are easy to accomplish with the removable covers and modular design of the Nova wire duct.

Steel wire ways (Ferrous Metal) are commonly used with X-ray, CT, Mammography, Linear Accelerator, and Nuclear Camera Installations. Steel wire ways are also used inside of the equipment room and control room of a typical MRI installation (not the magnet room).

Aluminium wire ways (Non Ferrous Metal) are commonly used inside of the MRI Magnet room.

Wall Duct can be installed in non load-bearing applications surface mounted on the wall or flush mounted in the wall. It is typically installed on walls, above the ceiling, or surface mounted on the floor. Wall Duct is manufactured in a variety of sizes from 4 inch up to 48 inches.

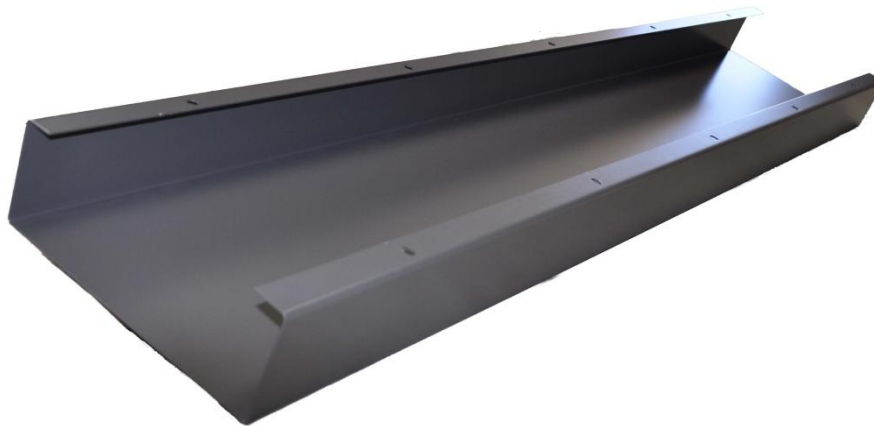


Figure 1: Wall Duct

## 2. Features/Benefits

### Features

- ETL listed to UL 870 and cUL standards to conform to NEC.
- Constructed of 14GA A36 Galvanized steel or 12GA 3003 formed Aluminium
- Painted during manufacturing to provide a clean finish to the room DuPont Imron 3.5 HG high gloss ASA-49 (Light Grey)
- Material selection support with Guaranteed Bill of Materials
- Auto Cad Drawings available for every project
- Superior Packaging and Labelling

### Benefits

- Several sizes available from stock: 10"x3.5", 10"x3.5", 18"x3.5"
- Custom sizes and fittings available in 1-2 weeks
- Allows access to wiring and mechanical connections for maintenance
- Provides a standardized platform for future modifications or upgrades
- ¼" Rabbeted cover provides superior protection of cabling, and clean look during field modifications.
- Allows cable routing to be accomplished in applications where conduit is not feasible
- Engineering and customer service support throughout the project
- No Small order charge
- Packaged and labeled with project identification such as room number, wall number and configuration to assist in faster installations

### Options

- Custom Paint (please specify DuPont code)
- Custom sizes up to 48 inches wide
- Custom fittings and angles designed around the project specifications
- Water Tight Gasket
- Lockable security Cover
- Hinged Cover
- Non Ferrous for MRI Installations

### 3. Specifications

#### 10 inch Wall Duct Component Quick Reference Guide

Description	Part Number	Surface Cover	Flush Cover	Reference
<b>Body</b>	W1035060-D	W103560-SC	W103560-FC	Figure 2
<b>Coupling</b>	W1035-CP			Figure 3
<b>Divider</b>	W35-DV			Figure 4
<b>End Closure</b>	W1035-EC			Figure 5
<b>Junction Box Flange</b>	W10WB			Figure 6
<b>Inside 90°</b>	W10-IS90	W10-ISSC	W10-ISFC	Figure 7
<b>Inside Sweep 90°</b>	W1035-ISW90	W1035-ISWSC	W1035-ISWFC	Figure 8
<b>Outside 90°</b>	W1035-OS90	W1035-OSSC	W1035-OSFC	Figure 9
<b>Outside Sweep 90°</b>	W1035-OSW90	W1035-OSWSC	W1035-OSWFC	Figure 10
<b>Flat 90°</b>	W1035-F90	W1035-FSC	W1035-FFC	Figure 11
<b>Flat T</b>	W1035-FT	W1035-FTSC	W1035-FTFC	Figure 12
<b>Flat T Tunnel</b>	W1035-FTun			-
<b>Flat X</b>	W1035-FX	W1035-FXSC	W1035-FXFC	Figure 13
<b>Flat X Tunnel</b>	W1035-FXTun			-
<b>Flat 45°</b>	W1035-F45	W1035-F45SC	W1035-F45FC	Figure 14
<b>Inside 45°</b>	W1035-IS45	W1035-IS45SC	W1035-IS45FC	Figure 15
<b>Horizontal Floor Riser 90°</b>	W1035-HFR-(L or R)	W1035-HFR-(L or R)-SC	W1035-HFR-(L or R)-FC	Figure 16
<b>Flush to Surface Transition</b>	W1035-FTSA			Figure 17
<b>10" to 10" coupling</b>	W0610A			Figure 18
<b>10" to 18" coupling</b>	W1018A			Figure 19
<b>Grommet Material</b>	Grommet			Figure 20
<b>Grommeted Opening</b>		W1035-GOSC	W1035-GOFC	Figure 21

## 10 inch Wall Duct Body

<b>Model</b>	W1035060-D
<b>Description</b>	10 inch steel wall duct body
<b>Construction</b>	14 Gauge A36 Galvanized steel (For Aluminium please specify P/N AW103560-D)
<b>Finish</b>	DuPont Imron 3.5 HG high gloss ASA-49 (Light Grey)
<b>Hardware</b>	No Mounting Hardware Included- to be determined in the field
<b>Grounding</b>	Grounding Lug included
<b>Fill Capacity</b>	7 inch <sup>2</sup>
<b>Dimensions</b>	10" W x 3.5" H x 60" L
<b>Weight</b>	22 lbs
<b>Approvals</b>	ETL Listed to UL/cUL 870 file 100450372CRT-001a, NEC Article 376, NEC 517

<b>Cover Options</b>	Surface	Flush
<b>Model</b>	W103560-SC	W103560-FC
<b>Description</b>	Rabbetted Cover for surface mount 10 inch wall duct	Rabbetted Cover for flush mount 10 inch wall duct
<b>Dimensions</b>	10" W x 60" L	12" W x 60" L
<b>Weight</b>	12 lbs	14.4 lbs
<b>Hardware</b>	spring nuts, clips, pre-drilled holes, and mounting screws included	spring nuts, clips, pre-drilled holes, and mounting screws included

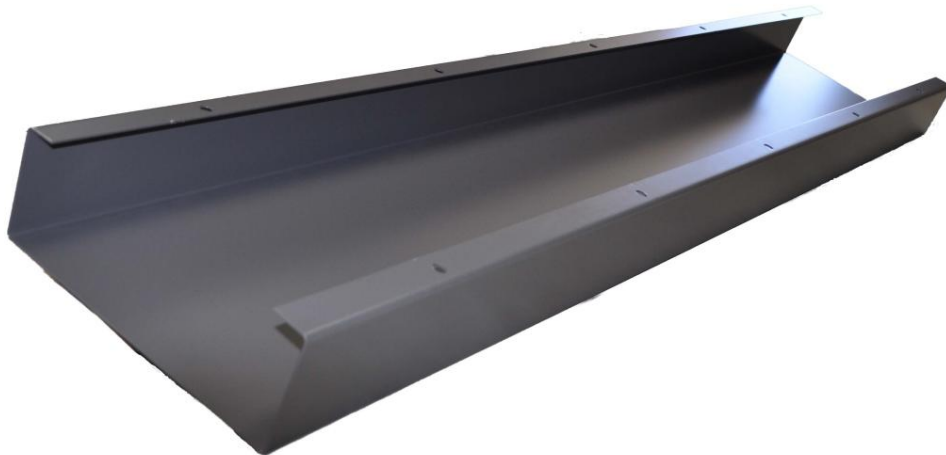


Figure 2: 10 inch Wall Duct Body

### 10 inch Wall Duct Coupling

<b>Model</b>	W1035-CP
<b>Description</b>	10 inch steel wall duct coupling used to connect 2 sections of 10 inch duct. 1 piece needed for every splice.
<b>Construction</b>	14 Gauge A36 Galvanized steel (For Aluminium please specify P/N AW1035-CP)
<b>Finish</b>	DuPont Imron 3.5 HG high gloss ASA-49 (Light Grey)
<b>Hardware</b>	Pre drilled holes and self tapping screws included
<b>Dimensions</b>	9.75" W x 3.25" H x 3.25" L
<b>Weight</b>	1.08 lb
<b>Approvals</b>	UL/cUL, NEC Article 376, NEC 517



Figure 3: 10 inch Wall Duct Coupling

### 3.5 inch Divider

<b>Model</b>	W35-DV
<b>Description</b>	3.5 inch divider used to separate power and signalling cables inside of the duct. Used to create multiple compartments inside of 1 piece of wireway.
<b>Construction</b>	14 Gauge A36 Galvanized steel (For Aluminium please specify P/N AW35-DV)
<b>Finish</b>	DuPont Imron 3.5 HG high gloss ASA-49 (Light Grey)
<b>Hardware</b>	Pre drilled holes and mounting hardware included
<b>Dimensions</b>	3" H x 60" L
<b>Weight</b>	4.4 lbs
<b>Approvals</b>	UL/cUL, NEC Article 376, NEC 517



Figure 4: Wall Duct Divider

### 10 inch End Closure

<b>Model</b>	W1035-EC
<b>Description</b>	10 inch steel wall duct end closure used to terminate wire duct
<b>Construction</b>	14 Gauge A36 Galvanized steel
<b>Finish</b>	DuPont Imron 3.5 HG high gloss ASA-49 (Light Grey)
<b>Hardware</b>	Pre drilled holes and mounting hardware included
<b>Dimensions</b>	10" W x 3.5" H x 3.5" L
<b>Weight</b>	1.77 lbs
<b>Approvals</b>	UL/cUL, NEC Article 376, NEC 517



Figure 5: 10 inch Wall Duct End Closure

### 10 inch Box Connector

<b>Model</b>	W1035-WB
<b>Description</b>	10 inch steel wall duct box connector (flange) generally used to terminate a wireway into a junction box
<b>Construction</b>	14 Gauge A36 Galvanized steel
<b>Finish</b>	DuPont Imron 3.5 HG high gloss ASA-49 (Light Grey)
<b>Hardware</b>	Pre drilled holes and mounting hardware included
<b>Dimensions</b>	10" W
<b>Weight</b>	0.82 lbs
<b>Approvals</b>	UL/cUL, NEC Article 376, NEC 517



Figure 6: 10 inch Wall Duct Junction Box Connector

### 10 inch Wall Duct Inside 90°

<b>Model</b>	W1035-IS90
<b>Description</b>	Inside 90 degree turn generally used to go inside a corner where 2 walls meet or transition from surface mounted floor duct to vertical wall duct.
<b>Construction</b>	14 Gauge A36 Galvanized steel
<b>Finish</b>	DuPont Imron 3.5 HG high gloss ASA-49 (Light Grey)
<b>Hardware</b>	No Mounting Hardware Included- to be determined in the field
<b>Fill Capacity</b>	7 inch <sup>2</sup>
<b>Dimensions</b>	Duct dimensions 10" W x 3.5" H Outside Edge= 6" L c 6" L Inside Edge= 2.5" L x 2.5" L
<b>Weight</b>	4.56 lbs
<b>Max Wire Gauge</b>	2/0 due to 90° bend radius of fitting, if large wire gauge is needed use a sweep 90°
<b>Approvals</b>	UL/cUL, NEC Article 376, NEC 517

<b>Cover Options</b>	Surface	Flush
<b>Model</b>	W1035-ISSC	W1035-ISFC
<b>Description</b>	Rabbetted Cover for surface mount 10 inch inside 90° elbow	Rabbetted Cover for flush mount 10 inch inside 90° elbow
<b>Dimensions</b>	10" W x 2.5" L x 2.5" H	12" W x 2.5" L x 2.5" H
<b>Weight</b>	1 lb	1.2 lbs
<b>Hardware</b>	spring nuts, clips, pre-drilled holes, and mounting screws included	spring nuts, clips, pre-drilled holes, and mounting screws included



Figure 7: 10 inch Wall Duct Inside 90°



### 10 inch Wall Duct Inside Sweep 90<sup>0</sup>

<b>Model</b>	W1035-ISW90
<b>Description</b>	Inside 90 degree turn generally used to go inside a corner where 2 walls meet or transition from surface mounted floor duct to vertical wall duct. Used in applications where a larger bending radius is preferred.
<b>Construction</b>	14 Gauge A36 Galvanized steel
<b>Finish</b>	DuPont Imron 3.5 HG high gloss ASA-49 (Light Grey)
<b>Hardware</b>	No Mounting Hardware Included- to be determined in the field
<b>Fill Capacity</b>	7 inch <sup>2</sup>
<b>Dimensions</b>	Duct dimensions 10" W x 3.5" H Outside Edge (height) = 6" L x 6"L
<b>Weight</b>	6.8 lbs
<b>Max Wire Gauge</b>	Not Applicable- Bending Radius does not exceed 45 <sup>0</sup>
<b>Approvals</b>	UL/cUL, NEC Article 376, NEC 517

<b>Cover Options</b>	Surface	Flush
<b>Model</b>	W1035-ISWSC	W1035-ISWFC
<b>Description</b>	Rabbetted Cover for surface mount 10 inch sweep inside sweep 90 <sup>0</sup> elbow	Rabbetted Cover for flush mount 10 inch sweep inside sweep 90 <sup>0</sup> elbow
<b>Dimensions</b>	10" W x 2.5" x 3" x 2.5"	12" W x 2.5" x 3" x 2.5"
<b>Weight</b>	2.5 lbs	3 lbs
<b>Hardware</b>	spring nuts, clips, pre-drilled holes, and mounting screws included	spring nuts, clips, pre-drilled holes, and mounting screws included



Figure 8: 10 inch Wall Duct Sweep Inside 90<sup>0</sup>

### 10 inch Wall Duct Outside 90°

<b>Model</b>	W1035-OS90
<b>Description</b>	Outside 90 degree turn generally used to go around a corner, pillar or other obstructing objects on the wall or above the ceiling.
<b>Construction</b>	14 Gauge A36 Galvanized steel
<b>Finish</b>	DuPont Imron 3.5 HG high gloss ASA-49 (Light Grey)
<b>Hardware</b>	No Mounting Hardware Included- to be determined in the field
<b>Fill Capacity</b>	7 inch <sup>2</sup>
<b>Dimensions</b>	Duct dimensions 10" W x 3.5" H Outside Edge= 6" L x 6" L Inside Edge= 2.5" L x 2.5" L
<b>Weight</b>	4.56 lbs
<b>Max Wire Gauge</b>	2/0 due to 90° bend radius of fitting, if large wire gauge is needed use a sweep 90°
<b>Approvals</b>	UL/cUL, NEC Article 376, NEC 517

<b>Cover Options</b>	Surface	Flush
<b>Model</b>	W1035-OSSC	W1035-OSFC
<b>Description</b>	Rabbetted Cover for surface mount 10 inch outside 90° elbow	Rabbetted Cover for flush mount 10 inch outside 90° elbow
<b>Dimensions</b>	10" W x 6" L x 6" H	12" W x 6" L x 6" H
<b>Weight</b>	3.5 lbs	4 lbs
<b>Hardware</b>	spring nuts, clips, pre-drilled holes, and mounting screws included	spring nuts, clips, pre-drilled holes, and mounting screws included



Figure 9: 10 inch Wall Duct Outside 90°

### 10 inch Wall Duct Sweep Outside 90<sup>0</sup>

<b>Model</b>	W1035-OSW90
<b>Description</b>	Outside 90 degree turn generally used to go around a corner, pillar or other obstructing objects on the wall or above the ceiling. Used in applications where a larger bending radius is preferred.
<b>Construction</b>	14 Gauge A36 Galvanized steel
<b>Finish</b>	DuPont Imron 3.5 HG high gloss ASA-49 (Light Grey)
<b>Hardware</b>	No Mounting Hardware Included- to be determined in the field
<b>Fill Capacity</b>	7 inch <sup>2</sup>
<b>Dimensions</b>	Duct dimensions 10" W x 3.5" H Outside Edge= 6" L x 6" L
<b>Weight</b>	4.8 lbs
<b>Max Wire Gauge</b>	Not Applicable- Bending Radius does not exceed 45 <sup>0</sup>
<b>Approvals</b>	UL/cUL, NEC Article 376, NEC 517

Cover Options	Surface	Flush
<b>Model</b>	W1035-OSWFC	W1035-OSWFC
<b>Description</b>	Rabbetted Cover for surface mount 10 inch sweep outside sweep 90 <sup>0</sup> elbow	Rabbetted Cover for flush mount 10 inch sweep outside sweep 90 <sup>0</sup> elbow
<b>Dimensions</b>	10" W x 6" L x 6" H	12" W x 6" L x 6" H
<b>Weight</b>	2.4 lbs	2.88 lbs
<b>Hardware</b>	spring nuts, clips, pre-drilled holes, and mounting screws included	spring nuts, clips, pre-drilled holes, and mounting screws included

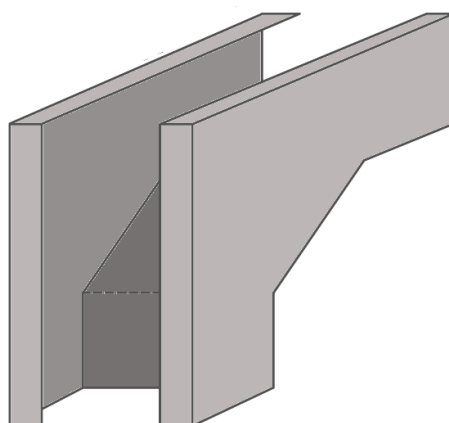


Figure 10: 10 inch Wall Duct Sweep Outside 90<sup>0</sup>

### 10 inch Wall Duct Flat 90<sup>0</sup>

<b>Model</b>	W1035-F90
<b>Description</b>	Flat (Horizontal) 90 degree turn generally used to transition from vertical to horizontal duct on the wall.
<b>Construction</b>	14 Gauge A36 Galvanized steel
<b>Finish</b>	DuPont Imron 3.5 HG high gloss ASA-49 (Light Grey)
<b>Hardware</b>	No Mounting Hardware Included- to be determined in the field
<b>Fill Capacity</b>	7 inch <sup>2</sup>
<b>Dimensions</b>	Duct dimensions 10" W x 3.5" H Outside Edge= 12" L x 12" L Inside Edge= 2" L x 2" L
<b>Weight</b>	4.56 lbs
<b>Approvals</b>	UL/cUL, NEC Article 376, NEC 517

<b>Cover Options</b>	Surface	Flush
<b>Model</b>	W1035-FSC	W1035-FFC
<b>Description</b>	Rabbetted Cover for surface mount 10 inch flat 90° elbow	Rabbetted Cover for flush mount 10 inch flat 90° elbow
<b>Dimensions</b>	10" W x 12" L x 12" L	12" W x 12" L x 12" L
<b>Weight</b>	2.6 lbs	3.12 lbs
<b>Hardware</b>	spring nuts, clips, pre-drilled holes, and mounting screws included	spring nuts, clips, pre-drilled holes, and mounting screws included



Figure 11: 10 inch Wall Duct Flat 90°

### 10 inch Wall Duct Flat T

<b>Model</b>	W1035-FT
<b>Description</b>	Flat T generally used to extend duct vertically on a horizontal run of wireway.
<b>Construction</b>	14 Gauge A36 Galvanized steel
<b>Finish</b>	DuPont Imron 3.5 HG high gloss ASA-49 (Light Grey)
<b>Hardware</b>	No Mounting Hardware Included- to be determined in the field
<b>Fill Capacity</b>	7 inch <sup>2</sup>
<b>Dimensions</b>	Duct dimensions 10" W x 3.5" H Long Edge= 14" L Short Edge= 12" L
<b>Weight</b>	5.32 lbs
<b>Approvals</b>	UL/cUL, NEC Article 376, NEC 517

<b>Cover Options</b>	Surface	Flush
<b>Model</b>	W1035-FTSC	W1035-FTFC
<b>Description</b>	Rabbetted Cover for surface mount 10 inch wall duct	Rabbetted Cover for flush mount 10 inch wall duct
<b>Dimensions</b>	10" W x 14" L x 12" L	12" W x 14" L x 13" L
<b>Weight</b>	3.2 lbs	3.8 lbs
<b>Hardware</b>	spring nuts, clips, pre-drilled holes, and mounting screws included	spring nuts, clips, pre-drilled holes, and mounting screws included
<b>Optional Fittings</b>	Divider Tunnel W1035-FTun	Divider Tunnel W1035-FTun



Figure 12: 10 inch Wall Duct Flat T

### 10 inch Wall Duct Flat X

<b>Model</b>	W1035-FX
<b>Description</b>	Flat X generally used to extend cross vertical and horizontal wireways.
<b>Construction</b>	14 Gauge A36 Galvanized steel
<b>Finish</b>	DuPont Imron 3.5 HG high gloss ASA-49 (Light Grey)
<b>Hardware</b>	No Mounting Hardware Included- to be determined in the field
<b>Fill Capacity</b>	7 inch <sup>2</sup>
<b>Dimensions</b>	Duct dimensions 10" W x 3.5" H Long Edge= 14" L Short Edge= 14" L
<b>Weight</b>	5.04 lbs
<b>Approvals</b>	UL/cUL, NEC Article 376, NEC 517

<b>Cover Options</b>	Surface	Flush
<b>Model</b>	W1035-FXSC	W1035-FXFC
<b>Description</b>	Rabbetted Cover for surface mount 10 inch flat X	Rabbetted Cover for flush mount 10 inch flat X
<b>Dimensions</b>	10" W x 14" L x 12" L	12" W x 14" L x 13" L
<b>Weight</b>	3.0 lbs	3.6 lbs
<b>Hardware</b>	spring nuts, clips, pre-drilled holes, and mounting screws included	spring nuts, clips, pre-drilled holes, and mounting screws included
<b>Optional Fittings</b>	Divider Tunnel W1035-FXTun	Divider Tunnel W1035-FXTun

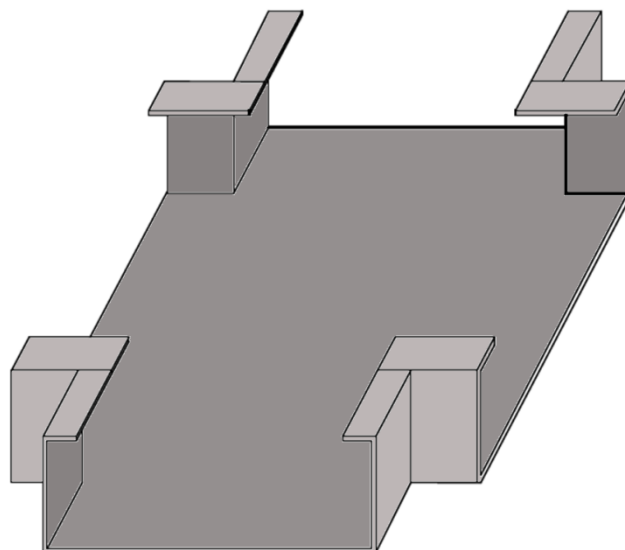


Figure 13: 10 inch Wall Duct Flat X

### 10 inch Wall Duct Flat 45°

<b>Model</b>	W1035-F45
<b>Description</b>	Flat (Horizontal) 45 degree turn generally used in surface mount floor duct applications.
<b>Construction</b>	14 Gauge A36 Galvanized steel
<b>Finish</b>	DuPont Imron 3.5 HG high gloss ASA-49 (Light Grey)
<b>Hardware</b>	No Mounting Hardware Included- to be determined in the field
<b>Fill Capacity</b>	7 inch <sup>2</sup>
<b>Dimensions</b>	Duct dimensions 10" W x 3.5" H Outside Edge= 8" L (F, D) Inside Edge= 4" L (A, G)
<b>Weight</b>	4.1 lbs
<b>Max Wire Gauge</b>	Not Applicable- Bending Radius does not exceed 45°
<b>Approvals</b>	UL/cUL, NEC Article 376, NEC 517

<b>Cover Options</b>	Surface	Flush
<b>Model</b>	W1035-F45SC	W1035-F45FC
<b>Description</b>	Rabbetted Cover for surface mount 10 inch flat 45° elbow	Rabbetted Cover for flush mount 10 inch flat 45° elbow
<b>Dimensions</b>	10" W x 8" L x 8" L	10" W x 8" L x 8" L
<b>Weight</b>	1.9 lbs	2.1 lbs
<b>Hardware</b>	spring nuts, clips, pre-drilled holes, and mounting screws included	spring nuts, clips, pre-drilled holes, and mounting screws included

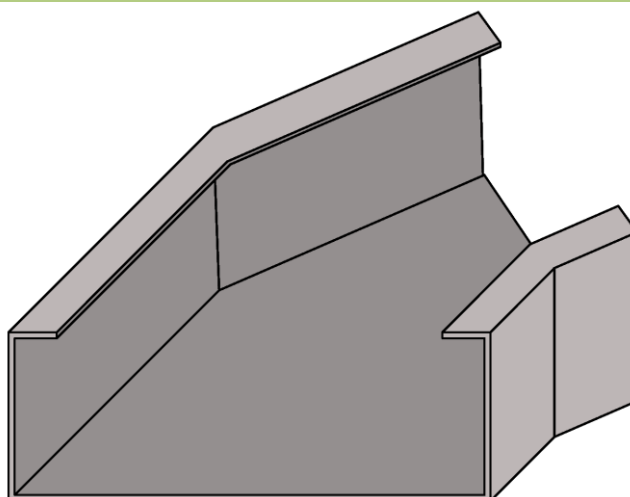


Figure 14: 10 inch Wall Duct Flat 45°

### 10 inch Wall Duct Inside 45<sup>0</sup>

<b>Model</b>	W1035-IS45
<b>Description</b>	Inside 45 degree turn generally used above the ceiling to route wires around difficult obstructing objects.
<b>Construction</b>	14 Gauge A36 Galvanized steel
<b>Finish</b>	DuPont Imron 3.5 HG high gloss ASA-49 (Light Grey)
<b>Hardware</b>	No Mounting Hardware Included- to be determined in the field
<b>Fill Capacity</b>	7 inch <sup>2</sup>
<b>Dimensions</b>	Duct dimensions 10" W x 3.5" H Outside Edge= 12" L x 12" L Inside Edge= 2.5" L (F, J)
<b>Weight</b>	4.8 lbs
<b>Max Wire Gauge</b>	Not Applicable- Bending Radius does not exceed 45 <sup>0</sup>
<b>Approvals</b>	UL/cUL, NEC Article 376, NEC 517

<b>Cover Options</b>	Surface	Flush
<b>Model</b>	W1035-IS45SC	W1035-IS45FC
<b>Description</b>	Rabbetted Cover for surface mount 10 inch wall duct	Rabbetted Cover for flush mount 10 inch wall duct
<b>Dimensions</b>	10" W x 2.5" L x 2.5" H	12" W x 2.5" L x 2.5" H
<b>Weight</b>	1.52 lb	1.88 lbs
<b>Hardware</b>	spring nuts, clips, pre-drilled holes, and mounting screws included	spring nuts, clips, pre-drilled holes, and mounting screws included

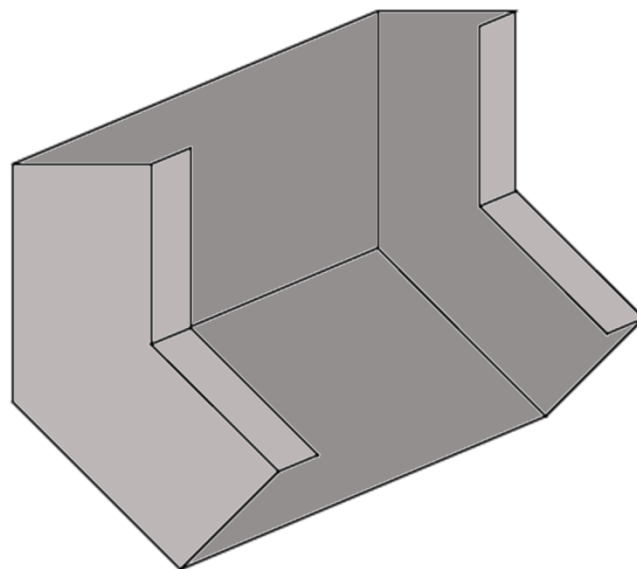


Figure 15: 10 inch Wall Duct Inside 45<sup>0</sup>



### 10 inch Wall Duct Horizontal Floor Riser 90°

<b>Model</b>	W1035-HFR-(R or L) left or right
<b>Description</b>	Horizontal floor riser generally used to transition from surface floor duct to horizontal wall duct.
<b>Construction</b>	14 Gauge A36 Galvanized steel
<b>Finish</b>	DuPont Imron 3.5 HG high gloss ASA-49 (Light Grey)
<b>Hardware</b>	No Mounting Hardware Included- to be determined in the field
<b>Fill Capacity</b>	7 inch <sup>2</sup>
<b>Dimensions</b>	Duct dimensions 10" W x 3.5" H
<b>Weight</b>	9.12 lbs
<b>Max Wire Gauge</b>	2/0 due to 90° bend radius of fitting, if large wire gauge is needed use a sweep 90°
<b>Approvals</b>	UL/cUL, NEC Article 376, NEC 517

<b>Cover Options</b>	Surface	Flush
<b>Model</b>	W1035-HFR-(L or R)-SC	W1035-HFR-(L or R)-FC
<b>Description</b>	Rabbetted Cover for surface mount 10 inch horizontal floor riser	Rabbetted Cover for flush mount 10 inch horizontal floor riser
<b>Dimensions</b>	10" W x 12" L	12" W x 12" L
<b>Weight</b>	4.0 lb	4.2 lbs
<b>Hardware</b>	spring nuts, clips, pre-drilled holes, and mounting screws included	spring nuts, clips, pre-drilled holes, and mounting screws included



Figure 16: 10 inch Horizontal Floor Riser

### 10 inch Wall Duct Flush to surface transition

<b>Model</b>	W1035-FTSA
<b>Description</b>	A 2 foot section of wall duct with a grommeted opening in the back side. Used to couple a flush mounted duct to a surface mounted duct (overlapping). Typically used to connect a horizontal surface duct to a vertical flush duct.
<b>Construction</b>	14 Gauge A36 Galvanized steel
<b>Finish</b>	DuPont Imron 3.5 HG high gloss ASA-49 (Light Grey)
<b>Hardware</b>	No Mounting Hardware Included- to be determined in the field
<b>Fill Capacity</b>	7 inch <sup>2</sup>
<b>Weight</b>	13.92 lbs
<b>Approvals</b>	UL/cUL, NEC Article 376, NEC 517
<b>Cover</b>	Includes surface mounted cover



Figure 17: 10 inch Flush to surface transition

### 6 inch to 10 inch Wall Duct Coupling

<b>Model</b>	W0610A
<b>Description</b>	wall duct coupling used to connect 6 inch duct to 10 inch duct. 1 piece needed for every splice.
<b>Construction</b>	14 Gauge A36 Galvanized steel (For Aluminium please specify P/N AW0635-CP)
<b>Finish</b>	DuPont Imron 3.5 HG high gloss ASA-49 (Light Grey)
<b>Hardware</b>	Pre drilled holes and self tapping screws included
<b>Dimensions</b>	5.75" W x 3.25" H x 3.25" L
<b>Weight</b>	1.83 lb
<b>Approvals</b>	UL/cUL, NEC Article 376, NEC 517

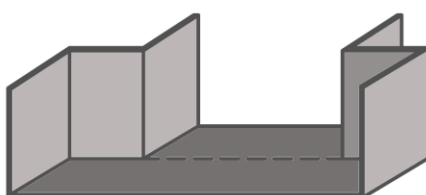


Figure 18: 6 inch to 10 inch Wall Duct Coupling

### 10 inch to 18 inch Wall Duct Coupling

<b>Model</b>	W1018A
<b>Description</b>	wall duct coupling used to connect 10 inch duct to 18 inch duct. 1 piece needed for every splice.
<b>Construction</b>	14 Gauge A36 Galvanized steel (For Aluminium please specify P/N AW0635-CP)
<b>Finish</b>	DuPont Imron 3.5 HG high gloss ASA-49 (Light Grey)
<b>Hardware</b>	Pre drilled holes and self tapping screws included
<b>Dimensions</b>	5.75" W x 3.25" H x 3.25" L
<b>Weight</b>	1.83 lb
<b>Approvals</b>	UL/cUL, NEC Article 376, NEC 517

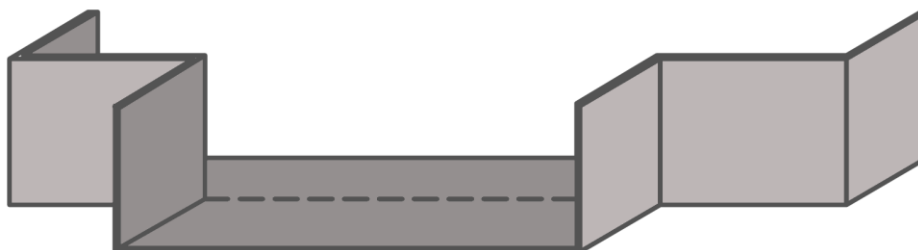


Figure 19: 10 inch to 18 inch Wall Duct Coupling

## Grommet Material

<b>Model</b>	Grommet
<b>Description</b>	Rubber reinforced with an aluminium insert used to protect the cabling when field modifications have been made to the wire duct.
<b>Construction</b>	
<b>Dimensions</b>	20' L x .5" H



Figure 20: Grommet Material

## 10 inch Wall Duct Grommet Opening Cover

<b>Model</b>	See Below
<b>Description</b>	Split cover plate with grommetted opening used to extend cabling outside of the wire duct without concerns of damaging the cabling
<b>Construction</b>	14 Gauge A36 Galvanized steel
<b>Approvals</b>	UL/cUL, NEC Article 376, NEC 517

<b>Cover Options</b>	Surface	Flush
<b>Model</b>	W1035-GOSC	W1035-GOFC
<b>Description</b>	Rabbetted Cover for surface mount 10 inch sweep inside sweep 90° elbow	Rabbetted Cover for flush mount 10 inch sweep inside sweep 90° elbow
<b>Dimensions</b>	10" W x 60" L	12" W x 60" L
<b>Weight</b>	12 lbs	14.4 lbs
<b>Hardware</b>	spring nuts, clips, pre-drilled holes, and mounting screws included	spring nuts, clips, pre-drilled holes, and mounting screws included

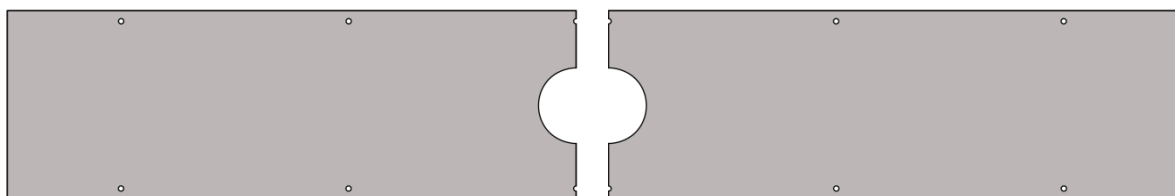


Figure 21: 10 inch Grommetted Opening Cover Plate

## 4. Packaging

Materials are packaged with the information necessary to expedite the delivery to the correct person, in the correct room, and in the correct location. All items are individually labelled with Drawing reference notes.

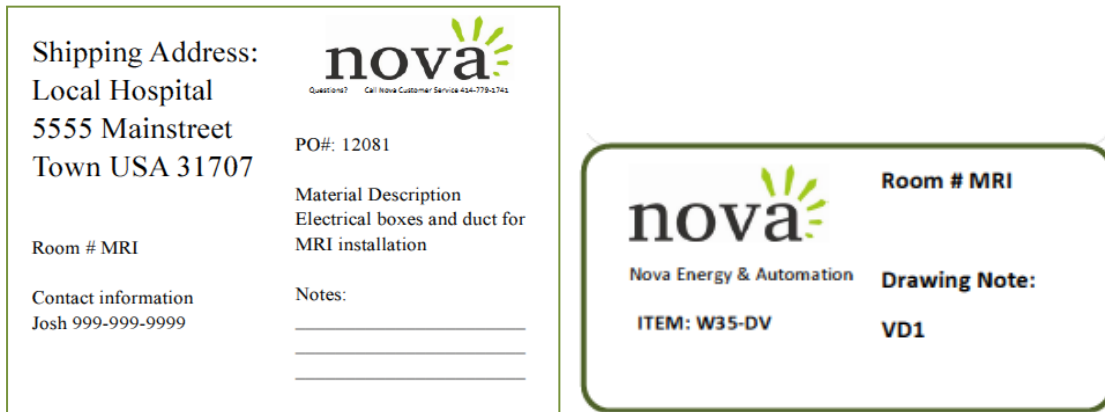


Figure 22: Sample Labels (Pallet and Component)

## 5. Additional Options

### MRI

Wire Duct can be specified as aluminium/non-ferrous by adding an A prefix to the model number.

EX AW1035-OS90

### Custom Finish

Please specify DuPont color code if alternative finishes are desired.

Custom Fabrication: Size, Fittings, Angels, Gaskets, Locks, Etc.

Please see related document: custom wall duct fabrication.

## 6. Product Service and Technical Assistance

Nova Automation, LLC  
2722 N. Avondale Blvd  
Milwaukee WI 53210  
PH# 262-309-2950  
Website: [www.NovaAutomation.net](http://www.NovaAutomation.net)

## 7. Warranty

This limited warranty set forth below is given by Nova Automation (“Seller”) with respect to the electrical equipment (“Product”) packaged with this limited warranty. The Product, when delivered to you in new condition in its original packaging, is warranted against defects in materials or workmanship as follows: For a period of three (3) years from the date of original purchase, defective parts or a defective Product returned to a Seller, or its authorized service providers, as applicable, and proven to be defective upon inspection, will be repaired, or exchanged for a new Product, as determined by the Seller, or the authorized service provider.

This limited warranty covers all defects encountered in normal use of the Product, and does not apply in the following cases: Loss of or damage to the Product due to abuse, mishandling, alteration, accident, electrical current fluctuations, failure to follow operating, maintenance or environmental instructions prescribed by Seller, failure to follow Sellers installation instructions, or service performed by someone other than Seller or its authorized service provider.

Nova assumes no responsibility for labor or freight costs incurred in connection with the installation, removal, or replacement of products determined to be defective or any consequential or incidental damages arising from the use of the product. Nova Automations entire liability on any claim of loss or damage resulting from a defective product is limited to the replacement of the product.

**WARRANTY IS VOID IF PRODUCT IS NOT USED FOR THE PURPOSE FOR WHICH IT WAS MANUFACTURED.**

## 8. Approvals

**Prepared By** \_\_\_\_\_

**([Job Title])**

This document requires the following approvals

**Approved By** \_\_\_\_\_

**([Job Title])**

\_\_\_\_\_

**([Job Title])**

**Approval Date** \_\_\_\_\_