



PRODUCTS FOR WINERIES

Products for the wine-making industry



PDI[®]
Power Dynamics, Inc.

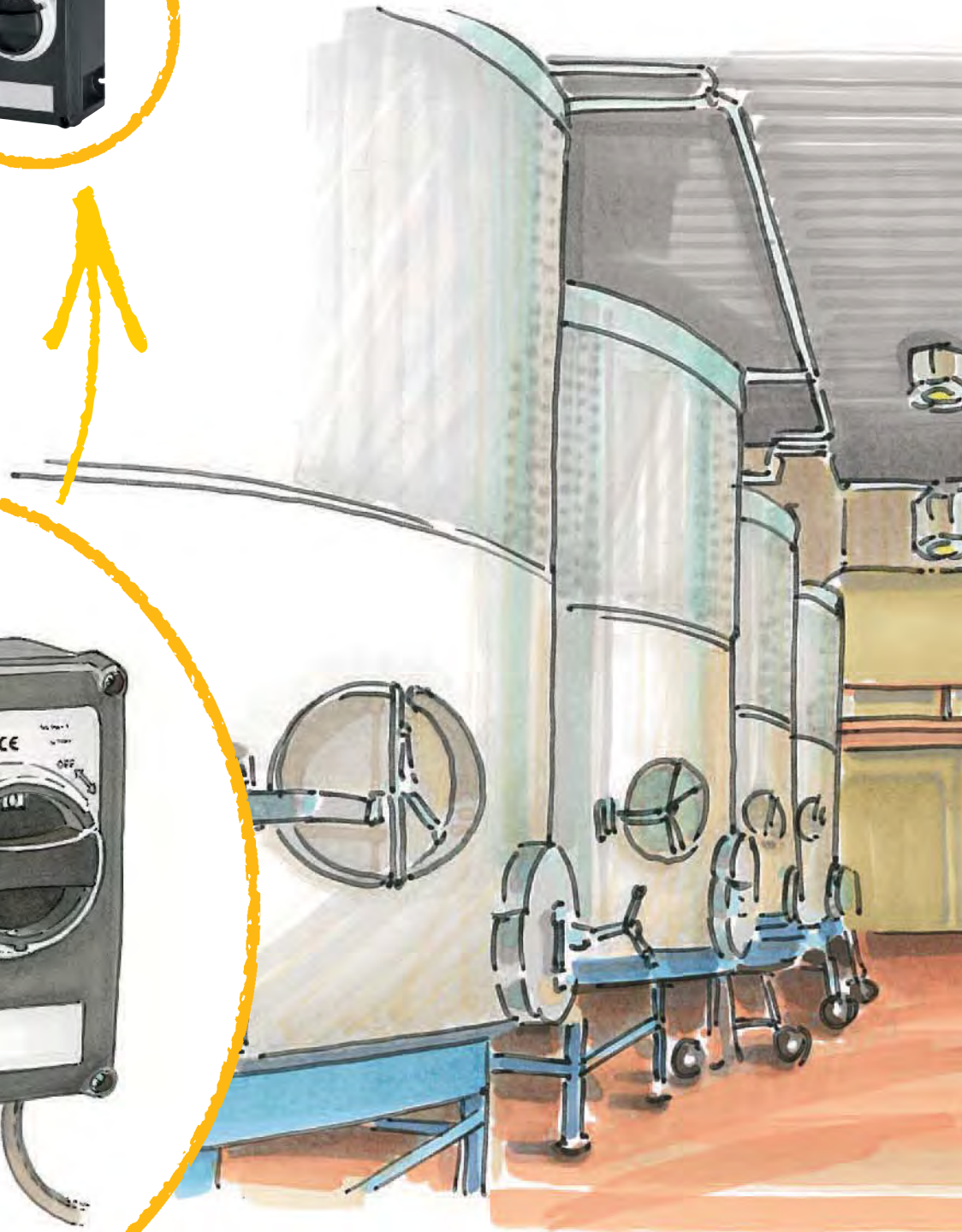
 **SCAME**
electrical solutions

Products for wineries

INDEX



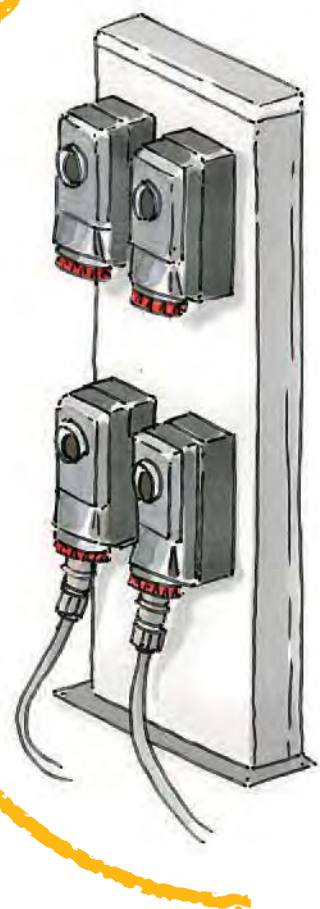
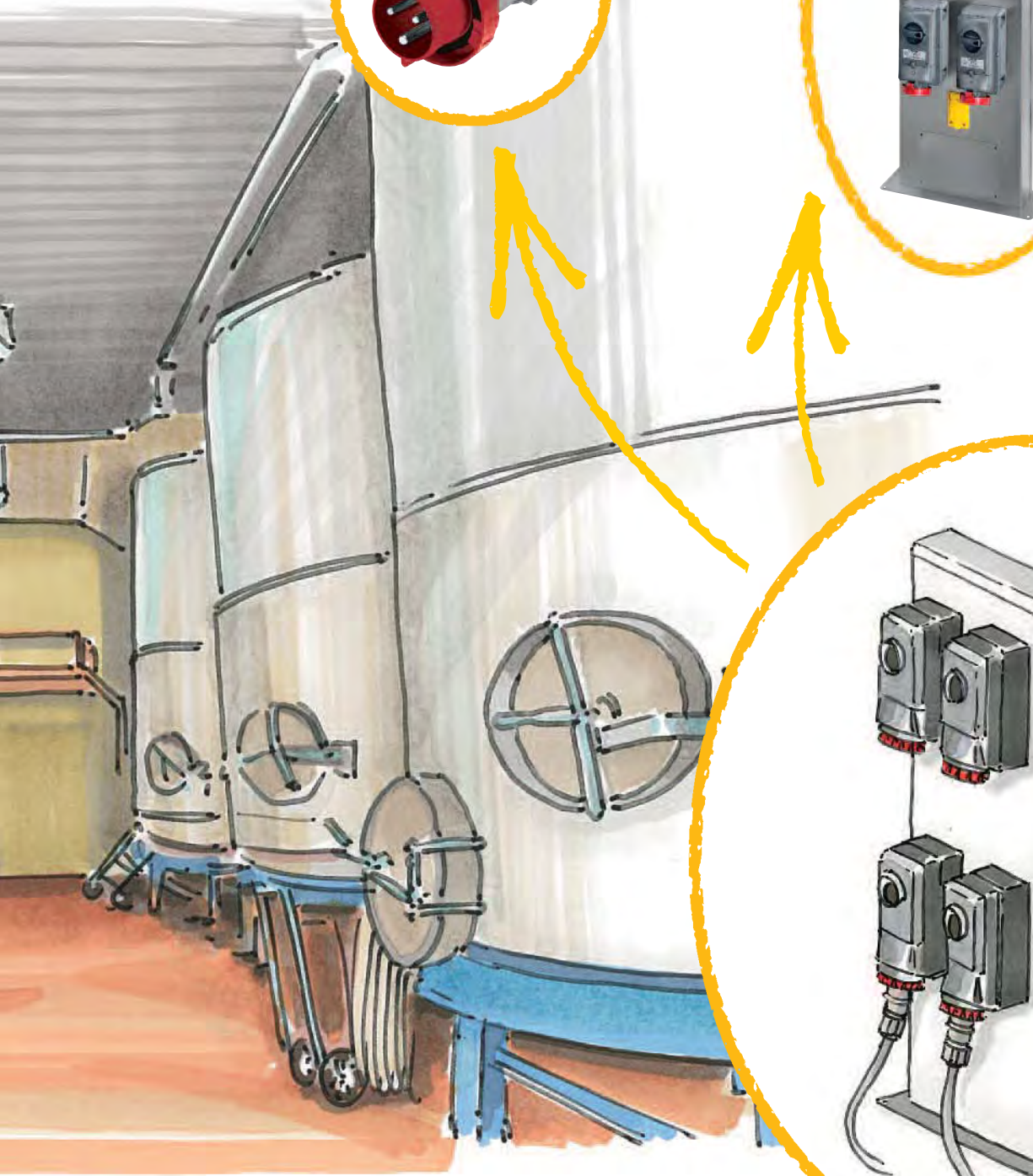
ISOLATORS-HD Series
Non-fusible motor disconnect switches
pg.16



EUREKA-HD Series
Pin and sleeve devices
pg.10



ADVANCE-GRP System
Switched interlocked
socket outlets
pg.4



ADVANCE-GRP System



SWITCHED INTERLOCKED SOCKET OUTLETS



VERSIONS WITH MECHANICAL INTERLOCK

	With switch-disconnector
	With MCB circuit breaker

REFERENCE STANDARDS

- EN 60309-1**
Plugs, socket outlets and couplers for industrial purposes.
Part 1: general requirements.
- EN 60309-4**
Plugs, socket-outlets and couplers for industrial purposes.
Part 4: Switched socket-outlets and connectors with or without interlock.
- UL 1682**
Plugs, receptacles and cable connectors of the pin and sleeve type.
- UL 1686**
Standard for pin and sleeve configuration.
- EN 60947-3**
Low voltage switchgear and controlgear.
Part 3: switches, disconnectors, switch-disconnectors and fuse-combination unit.
- UL 508 (NON-FUSED)**
Industrial control equipment.

TECHNICAL CHARACTERISTICS

Rated current:	20A-30A-60A
Rated voltage:	100÷600V~
Frequency:	50÷60Hz
Insulating voltage:	500/690V~
Protection degree:	IP67 (equivalent to 3R, 4/4X, 12K)
Operating temperature according to the reference standard:	-25°C +40°C
Minimum operating temperature:	-40°C
Max. operating temperature:	+60°C
Self-extinguishing GW test:	960°C
Self-extinguishing UL94:	V0
Material:	Thermosetting
IK degree at 20°C:	IK10 (20J)
Manual motor controller 20A-30A-60A:	COMMAND Series
Colour:	Grey RAL7037

■ TERMINAL CAPACITY

	20/30A	60A
Switch / ground / neutral	8-16 AWG (1.5÷10mm ²)	2-10AWG (2.5÷25mm ²)
Auxiliary contact	10-18 AWG (2.5÷1mm ²)	12-20AWG (2.5÷1mm ²)
Pilot	-	10-18AWG (2.5÷1mm ²)

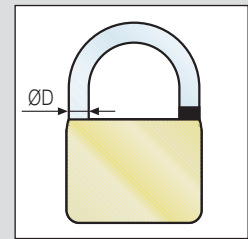
■ TERMINAL TORQUE

	20/30A	60A
Switch	0.8 Nm (7 lb•in)	3.6 Nm (32 lb•in)
Ground / neutral	0.8 Nm (7 lb•in)	1.5 Nm (13 lb•in)
Auxiliary contact	0.8 Nm (7 lb•in)	0.8 Nm (7 lb•in)
Pilot	-	0.8 Nm (7 lb•in)

■ TECHNICAL DATA MINIATURE CIRCUIT BREAKERS

AMP (A)	Voltage (V)	Short circuit rating (kA)
20	480Y/277V	14
30	480Y/277V	10

Rated current (A)	Ø D (mm)
20/30	5
60	6,3



Fulfill UL 498 CSA C22.2 N°5 and IEC 60947-2. For use in application for which UL 1077 or CSA C22.2 N°235 are also allowed.

■ TECHNICAL DATA SWITCH DISCONNECTORS (UL 508)

			20A	30A	60A	
Rated insulation voltage Ui		Vac	690	690	690	
		Vdc	400	400	-	
Rated impulse withstand voltage Uimp		kV	4	4	8	
Thermal current Ith		A	30	40	63	
Thermal current Ithe		A	30	40	63	
Hp ratings	General applications - Single-phase and Three-phase	600V A	30	32	63	
		120V Hp	1,5	2	3	
	AC motor, all-pole interruption - Single-phase	240V Hp	3	5	10	
		240V Hp	7,5	10	25	
		AC motor, B, C, D, all-pole interruption - Three-phase	480V Hp	10	15	20
			600V Hp	15	20	30
Field wiring size	Flexible wire	mm ²	1,5-10	1,5-10	10-35	
		AWG	16-8	16-8	10-2	
	Rigid wire	mm ²	1,5-16	1,5-16	10-35	
		AWG	16-8	16-8	10-2	
Short circuit ratings	Fuse class RK5 (time-delay)	(A) rms	5000	5000	5000	
	Fuse class J (fast-acting)	(A) rms	10000	10000	10000	

ADVANCE-GRP System



SPECIAL CHARACTERISTICS

ADVANCE-GRP CHARACTERISTICS

The **ADVANCE-GRP** product line includes a series of 20A, 30A, 60A interlocked sockets (compliant with EN60309-4 standards) and the casings to contain them. It's the most complete range of interlocked sockets produced in GRP (*Glass Reinforced Polyester*) thermosetting material.

A unique feature which enhances the exceptional mechanical strength of **ADVANCE-GRP** products is the **SMC** (*Sheet Moulding Compound*) production process used for the casings.

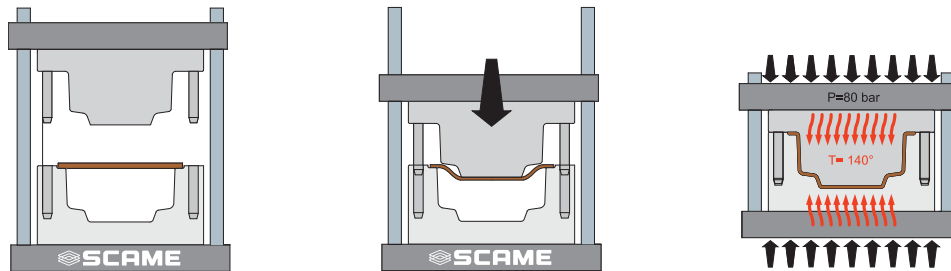
SMC is a technology which uses exclusively non-woven sheets, pre-impregnated with polyester resin. This method consists in preparing the sheet material inside a mould which, equipped with a negative mould, presses the composite so as to allow compaction.

SMC is an advanced technology which enhances the quality of the raw material without reducing the high-strength characteristics during transformation; it's a high-performing technology in terms of the mechanical performance of the resultant product (glass fibre length, homogeneity of the material, integrity of the fibres).

On the contrary, the **BMC** (*Bulk Moulding Compound*) technology is a technology for moulding composite materials which uses a raw material available in "blocks" (short, charged fibres) which are subjected to high thermomechanical stress during the transformation process, consequently diminishing the mechanical properties of the details, thereby reducing the impact strength and flexural strength.

The glass-fibre reinforced polyester used in **ADVANCE-GRP** guarantees excellent mechanical strength and a long lifetime: this material is highly resistant to contamination, completely corrosion resistant and suited for applications requiring the use of components with low smoke emission and no halogens, **LSOH** (*Low Smoke Zero Halogen*) components. The outstanding properties of the material are also guaranteed over time, thanks to the high **RTI** value (*Relative Temperature Index*), measured to be 20,000h. Numerous verifications and tests have been carried out, even UV resistance tests, in order to guarantee the long duration of the material's initial performance.

The thickness of the walls is sufficient to offer an excellent alternative to aluminium, stainless steel or cast iron.



OUTSTANDING HEAT AND FIRE RESISTANCE

The glass-fibre reinforced polyester used in **ADVANCE-GRP** guarantees excellent heat and fire resistance: it does not propagate flames, emit halogens or smoke.

This material has outstanding flame retardancy: Glow Wire 960°C according to EN 60695-2-1; V0 according to UL94. It's suited for applications requiring the use of components with low smoke emission and no halogens, **LSOH** (*Low Smoke Zero Halogen*).

OUTSTANDING IMPACT RESISTANCE

The glass-fibre reinforced polyester used in **ADVANCE GRP** and the high thickness of the casing walls guarantee an excellent mechanical resistance to impacts.

The **SMC** technology used to produce the casings makes **ADVANCE-GRP** an indestructible product. The impact resistance of the casings is higher than 20J (IK10) according to EN50102, even under limit temperature conditions (-40°C +60°C).

RESISTANCE TO CHEMICAL AGENTS

The **ADVANCE-GRP** interlocked sockets and casings, thanks to the glass-fibre reinforced polyester with which they are produced, have excellent resistance to aggressive chemical substances, saline solutions, diluted acids, hydrocarbons, mineral oils, alcoholic substances. They are ideal for use in highly corrosive atmospheres.

RESISTANCE TO ATMOSPHERIC AGENTS

The structure and materials used also make **ADVANCE-GRP** a product suited for the most extreme environmental conditions. Degree of protection IP67 (equivalent to 3R, 4X, 12K) guarantees an excellent seal against the entry of solid objects or liquids into the casings. Outstanding resistance to UV radiation, exceptional reliability under environmental stress and use at both low and high ambient temperatures (-40°C +60°C)

■ TECHNICAL CHARACTERISTICS 20A-30A-60A VERSIONS

Single-piece waterproof gasket

Dual mechanical lock to increase safety



High-strength material with superior UV and chemical resistance

Lockable handle to meet OSHA lockout/tagout regulation

Fuse inspection door, tamper-proof, lockable, with assisted opening

Cover entirely separate from the base for easy installation

Captive stainless steel closing screws



Indicator light

- **LIGHT ON**
- socket powered;
- **LIGHT OFF**
- socket not powered.

ADVANCE-GRP System



TECHNICAL CHARACTERISTICS

INTERLOCKED SOCKET WITH SWITCH DISCONNECTOR - 20-30-60A

INTERLOCKED SOCKET WITH MCB - 20-30A

Pre-wired grounding plate connects to metal conduit grounding system

Outdoor wall fastening

Ample space or easy wiring

Threaded metal insert

Easily extractable support

Indicator light

Possibility for plug-inserted control microswitch assembly

Prewired receptacle accepts all manufacturer's IEC 60309-2 plugs

MCB circuit breaker
EN/IEC 60947-2
UL 489 CSA C22.2
No.5-02
480Y/277V~ 10kA

Neutral terminal

Earth terminal

BOTTOM VIEW

TOP VIEW

Module in high-temperature resistant engineering polymer

(A)	Conduit tub
20/30	1"
60	1 1/4"



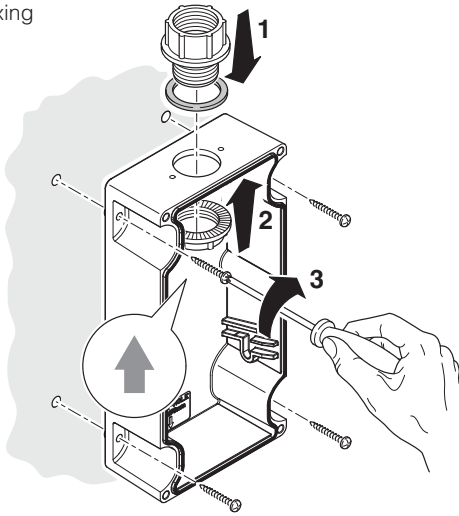
Possible entry from bottom side



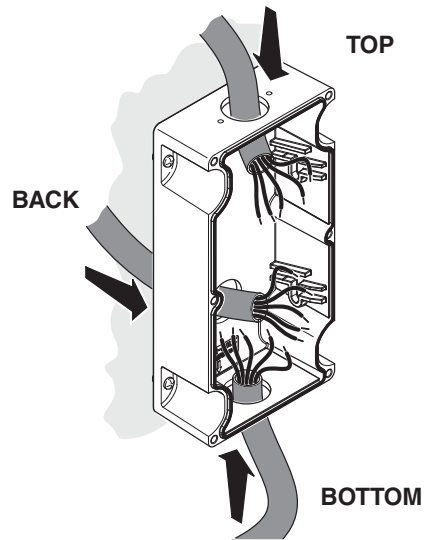
Self-centering punch marks to facilitate drilling

MOUNTING INSTRUCTION

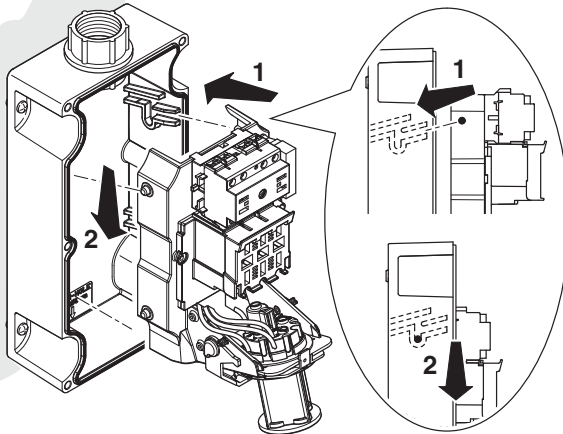
Base wall fixing



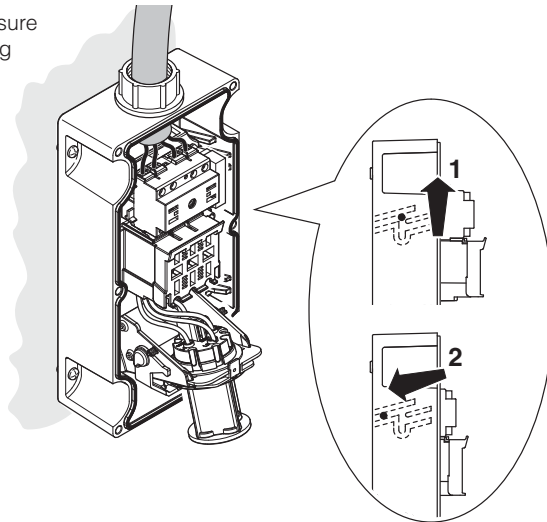
Cable entries



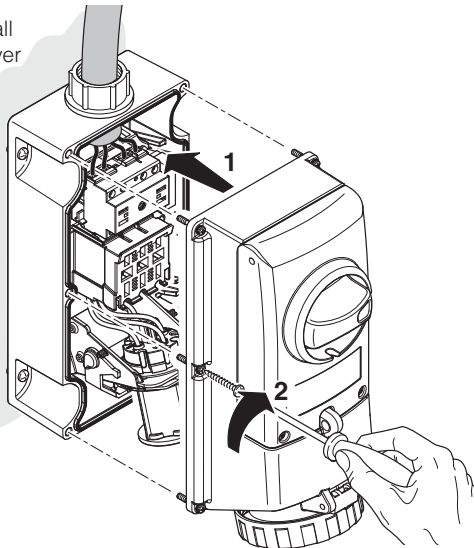
Insert fixing



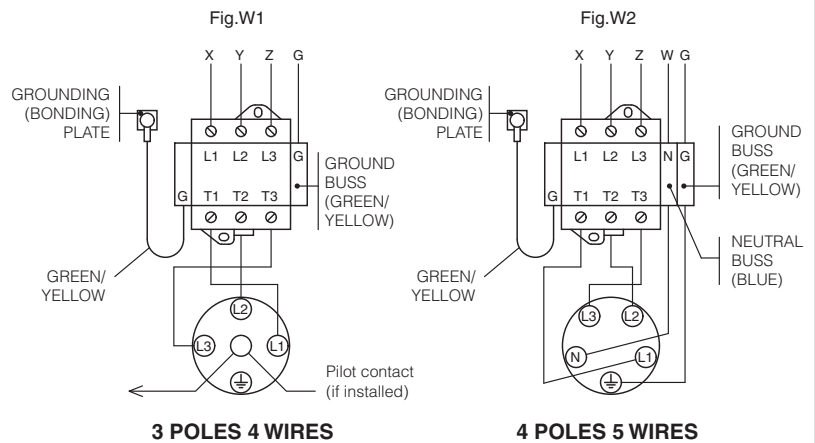
Enclosure closing



Reinstall the cover



Wiring diagram



EUREKA-HD Series

PIN AND SLEEVE DEVICES



VERSIONS



Plugs and connectors



Appliance inlets



Receptacle



Accessories Back Box

TECHNICAL CHARACTERISTICS FOR BACK BOX

Protection degree (IEC 60529):	IP66/IP67
Operating temperature:	-25°C +40°C
Max. operating temperature:	+70°C
Self-extinguishing (IEC 60695-2-1):	GW test 850°C
Self-extinguishing (UL94):	V2 (3,2mm)
Material:	Polyamide 6
IK degree at 20°C (EN 50102):	IK10 (20J)

REFERENCE STANDARDS

IEC 60309-1

Plugs, socket-outlets and couplers for industrial purposes.
Part 1: general requirements.

IEC 60309-2

Plugs, socket-outlets and couplers for industrial purposes
Part 2: dimensional interchangeability requirements for pin and contact-tube accessories of harmonised configurations.

UL 1682

Plugs, receptacles and cable connectors of the pin and sleeve type.

UL 1686

Standard for pin and sleeve configuration.

QUALITY MARKS

UL LISTED:
E238171, E238172



UL CLASSIFIED:
E238170



For specific quality marks please contact our technical service.

TECHNICAL CHARACTERISTICS FOR PIN & SLEEVE

Rated current:	16A - 32A - 63A - 125A (SERIES I) 20A - 30A - 60A - 100A (SERIES II)
Rated voltage:	100÷690V~
Frequency:	D.C. - 50÷500Hz
Insulating voltage:	500/690V~
Protection degree (IEC 60529):	IP67
Operating temperature according to the reference standard:	-25°C + 40°C
Max. operating temperature:	+70°C
Self-extinguishing (IEC 60695-2-1):	GW test 650°C / 850°C
Self-extinguishing (UL94):	V1 (3mm)
Material:	VALOX®
IK degree at 20°C (EN 50102):	IK10 (20J)

■ WIRING AND INSTALLATION

Cross-section of connectable conductors (awg/mm²)

Rated current		Plugs, connectors and appliance inlets				Receptacle			
Series I	Series II	Min awg	Max mm ²	Min awg	Max mm ²	Min awg	Max mm ²	Min awg	Max mm ²
16A	20A	16	1	12	2,5	16	1,5	12	4
32A	30A	14	2,5	10	6	14	2,5	8	10
63A	60A	10	6	6	16	10	6	4	25
125A	100A	6	16	2	50	4	25	0	70

Cord grip range (Plugs and connectors)

Rated current		Outside Ø mm			
Series I	Series II	Min awg	Max mm ²	Min awg	Max mm ²
16A	20A	,570	14	,710	18
32A	30A	,675	17	,910	23
63A	60A	,937	24	1,375	35
125A	100A	1,265	32	1,790	45

■ APPLICATION EXAMPLES



EUREKA-HD Series

■ PERFORMANCE - ELECTRICAL (SERIES I)

Dielectric Voltage Withstand:	3000 Volts for 1 minute per IEC 60309-1, Clause 19
Maximum Working Voltage:	690VAC/250 VDC (minimum creepage and clearances per IEC)
Current Interrupting/ Load Breaking:	Tested to 125% rated current at 110% rated voltage per IEC309-1 clause 20
Temperature Rise:	Maximum 50°C rise at rated current per IEC309-1 Clause 22, Table 8
Endurance with Load:	16 Amp: 5000 cycles; Load only
Per IEC 60309-1 Clause 21:	32 Amp: 1000 cycles - Alternating load 63 Amp: 1000 cycles - Alternating load 125 Amp: 250 cycles - Alternating load

■ PERFORMANCE - ELECTRICAL (SERIES II)

Dielectric Voltage Withstand:	3000 Volts for 1 minute (fixed devices) 2200 Volts for 1 minute (portable devices)
Maximum Working Voltage:	600VAC/250 VDC (minimum creepage and clearances per UL 840)
Current Interrupting/ Load Breaking:	Tested to 150% of full rated current for circuit interrupting
Temperature Rise:	Maximum 30°C rise at full rated current after 50 cycles overload at 150% rated load at 0.75-pf
Horsepower Ratings:	Per Nec 430-151b reference for non-interrupting ratings
Endurance with Load:	20 Amp: 5000 cycles; Load only
Per IEC 60309-1 Clause 21:	30 Amp: 1000 cycles - Alternating load 60 Amp: 1000 cycles - Alternating load 100 Amp: 250 cycles - Alternating load

■ MATERIALS FOR PIN & SLEEVE (SERIES I & II)

Housing:	Valox®
Contact Carriers:	Valox®
Cable Gland Nut:	Valox®
Cable Bushing:	Solid neoprene, onion ring type
O-Ring, Seals & Gaskets:	Solid neoprene
Pins & Sleeves:	Nickel plated brass
Sleeve Force Ring:	Zinc plated steel
Terminal Screws:	Nickel plated steel
Flap/Screw Cover Springs:	Stainless steel
SNAP-ON Spring:	Stainless steel
Mounting Flanges:	Valox®

■ PERFORMANCE - MECHANICAL (SERIES I)

Cold (-25°C) Impact Resistance:	Per IEC 60309-1 Clause 24; (-25°C) with 75cm drop
Cable O.D. Accommodation:	Round portable service cords from 14.5mm O.D. through 50mm O.D.
Terminal Identification:	In accordance with IEC 60309-1 standards; as L1-L2-L3-N-G
Cable Pull-Out Force:	In accordance with IEC 60309-1, Clause 23

■ PERFORMANCE - MECHANICAL (SERIES II)

Cold (-25°C) Impact Resistance:	Per UL 1682 Section 34 and IEC 60309-1 Clause 24
Cable O.D. Accommodation:	Round portable service cord from 0.57" O.D. through 1.79" O.D.
Terminal Identification:	In accordance with UL 1682 standards and IEC 60390-1: as L1-L2-L3-N-G
Cable Pull-Out Force:	Per UL 1682 Section 33 and IEC 60309-1 Clause 23

■ PERFORMANCE - ENVIRONMENTAL (SERIES I & II)

Corrosion Resistance:	All metallic components stainless steel or nickel plated brass Sleeve pressure rings of zinc plated steel
-----------------------	--

■ MATERIALS FOR BACK BOX (SERIES I & II)

Housing:	Polyamide 6
Gasket:	Solid neoprene
Screws:	Stainless steel
Grounding plate:	2 inch plated steel

Standard Interface / World Ready Full International Compliances

EN 60309

UL Classification to IEC 60309-1 and IEC 60309-2.

cULus Listing: UL 1682/1686 and CSA C22.2

No. 182.1.

CE conforms to EC Low Voltage Directive.

North American and Global Voltage

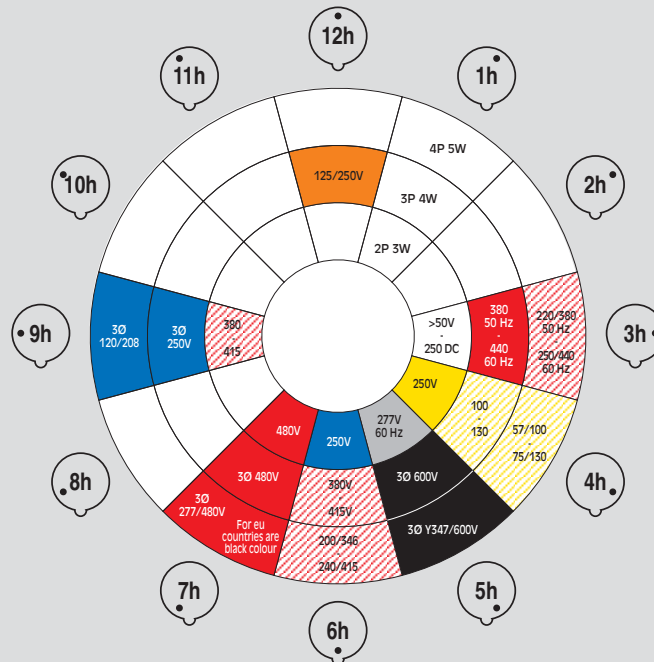
Polarization "clock positions" available in all standard ratings.

Solid, Safe Voltage Selections

One-Piece contact carriers with Full-Color IEC standard voltage-phasing Coding ensures correct product application every time.

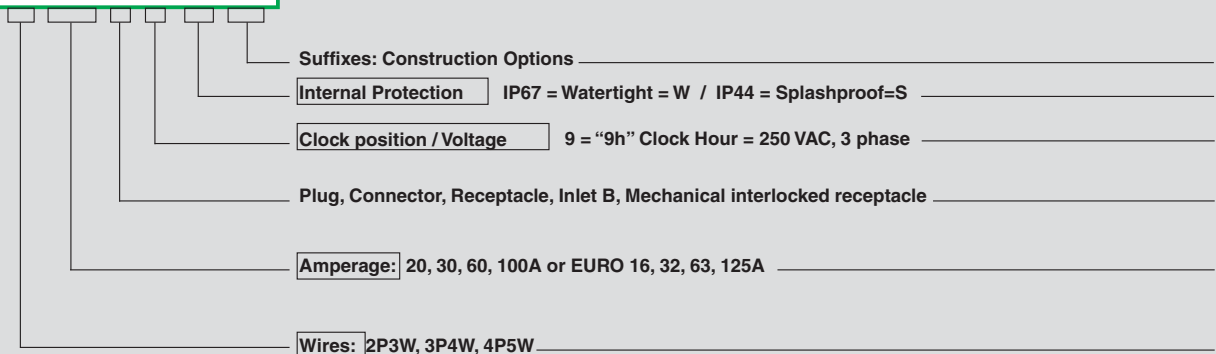
CLOCK POSITION - NORTH AMERICAN RATINGS

RATED VOLTAGE	COLOUR	USAGE (NORTH AMERICAN)
110-130V	Yellow	North American
208-250V	Blue	North American
380-415V	Red	Europe
600V +	Black	North American and Europe (500V)
277/480V	Red	North American
277V	Grey	North American
125/250V	Orange	North American
250/440V	Red	Latin America
220/440V	Red with diagonal lines	Europe
57/130V	Yellow with diagonal lines	Europe



CATALOG NUMBERING SYSTEM

SCM 430P9W



EUREKA-HD Series

■ WATERTIGHT - IP67



Watertight design and construction meet stringent IP67 internal protection standards.

Rugged thermoplastic housings resist impact or abuse and provide excellent corrosion resistance.

Unique Scame strain relief grip and sealing system assure superior cable retention and watertight conductor termination.

Ideal for outdoor, wet marine and washdown applications.

Unique 75% faster assembly with Snap-on handle locking, and cable grip system.



No Tools, No Screws Necessary

Snap-on locking handle saves 75% on assembly time.

Unique Snap-on assembly feature on 16A, 20A, 30A and 32A Amp plugs and connectors makes installation and inspection fast and reliable.

Captive gaskets in handles seal out water, chemicals and dust.



Easy Action Single-Wiring Point Access Saves Time Wiring

All terminal screws face in same direction allowing installer to make safe and secure conductor terminations in 30% less time than other devices. Rugged, corrosion free thermoplastic housings are colour-coded for safe reliable connections to all other mating type /polarizations, with raised earth terminal standard.



Simple Cable Clamping

Threaded cable gland on 16/32A and 20/30A devices makes assembly fast and easy.

One-piece lock screw verifies clamp locking hold, with no external metal contact possible (16/32A and 20/30A devices).



Unique and Quick

One-piece cable gland with locking screw loads to cable followed by cable grip 6-Finger cable clamp/grip piece.

Watertight onion ring bushing fits a wide variety of outside diameters.



Watertight and cable Grip Safety

Grip cable flexible 6-Finger clamp teeth holds well beyond all agency test pullout forces.

No internal clamps required.

Available in all amperages.



The Performance Connection

Watertight spring-loaded covers with high-strength flex-hinge screw covers on IP67 devices.

Flap covers on IP44 splashproof styles.

Safety, performance and durability for all EN 60309 applications worldwide.

Safe Connections Standard

- Heart contacts make first, break last for safe connections even under load



The Easy Way

- Spring clip connection locking feature on all 16/32A and 20/30A plugs and connectors

Screw Collars Stay Put

- Turreted grip allows for easy handling

75% Faster Cable builds

- Nylon lock screw System
- One-piece cable gland
- Nylon locking screw prevents loosening
- Hand assembly of cable gland, cable grip
- 6 Finger clamp and onion-ring bushing

Combination Flap/Screw Cover

- Integral neoprene gasket for IP67 (Watertight protection)
- Unique flex hinge design

Solid Neoprene Gasket In Handle

Neoprene Cable Bushing

- Onion ring design
- Universal fit capability

Cable grip 6-Finger Clamp

- Provides superior cable retention

Secure Grip Handle

- Tapered shoulder (16/32A and 20/30A)
- Ribbed (60/100A and 63/125A)

Fast and Easy Wiring

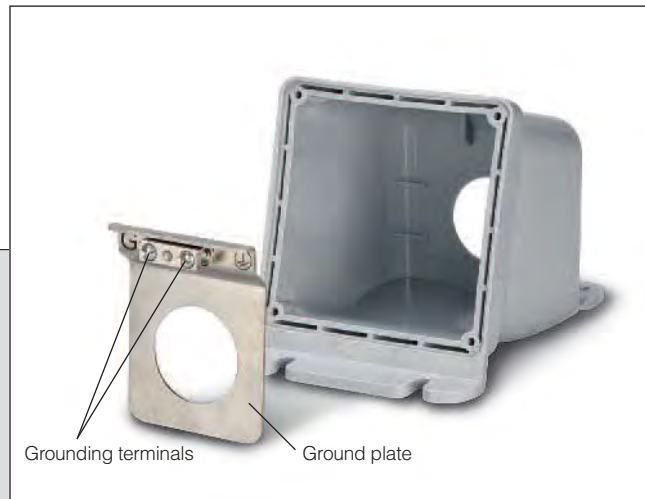
- Unique, one-way terminal access
- Clearly marked terminal connections

Double Secure Wiring

- Dual, combination point terminal screw for failsafe connections

Safe Connections Standard

- Earth contacts make first, break last for safe connections even under load



Grounding terminals

Ground plate

ISOLATORS-HD Series



■ NON-FUSIBLE MOTOR DISCONNECT SWITCHES 20-40A



■ VERSION



Surface mounting

OUTSTANDING HEAT AND FIRE RESISTANCE

The technopolymer used for Heavy Duty Isolators guarantees an excellent heat and fire resistance: Glow Wire 960°C according to EN 60695-2-1; 5VA according to UL94.

OUTSTANDING IMPACT RESISTANCE

This material guarantees an excellent mechanical resistance to impacts. The impact resistance of the casings is higher than 20J (IK10) according to EN50102, even under limit temperature conditions (-40°C +60°C).

RESISTANCE TO ATMOSPHERIC AGENTS

The structure and materials used also make HD ISOLATOR a product suited for the most extreme environmental conditions. The special silicon gasket and the IP65 degree guarantees an excellent seal against the entry of solid objects or liquids into the casings even after a long term installation.

Outstanding resistance to UV radiation, exceptional reliability under environmental stress and use at both low and high ambient temperatures (-40°C +60°C).

■ REFERENCE STANDARDS

EN 60947-3

Low voltage switchgear and controlgear.
Part 3: switches, disconnectors, switch-disconnectors and fuse-combination unit.

EN 60529

Degrees of protection provided by enclosure.

UL 508 (NON-FUSED)

Industrial control equipment.

Suitable as motor disconnect
per 2002 NEC article
430-109 (2) (b)

■ TECHNICAL CHARACTERISTICS

Polarity:	3P
Rated current:	20A-30A-40A
Protection degree:	IP66 (equivalent to 3R, 4/4X, 12K)
Operating temperature according to the reference standard:	-5°C +40°C
Min-Max. operating temperature:	-40°C +60°C
Material:	High performance engineering plastic
IK degree:	IK10
Glow wire test:	960°C
Self extinguishing UL94:	5VA
Colour:	Grey RAL7004

3P+N with late break early make neutral pole.

Padlockable handle.

Equipped with door locking.

In-house endurance testing 10.000 electrical cycles / 20.000 mechanical cycles.

■ TERMINAL CAPACITY

	20/40A
Switch	8÷16 AWG (1.5÷10 mm ²)
Ground	10÷18 AWG (1÷4 mm ²)
Neutral	8÷16 AWG
Auxiliary contact	12÷18 AWG (1÷2.5 mm ²)

■ TERMINAL TORQUE

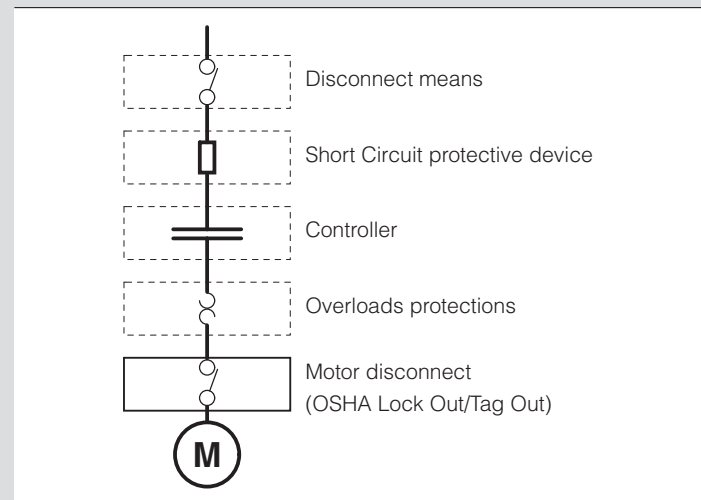
	20/40A
Switch	0,8 Nm (7 lb•in)
Ground	0,8 Nm (7 lb•in)
Neutral	0,8 Nm (7 lb•in)
Auxiliary contact	0,8 Nm (7 lb•in)

Isolators series of enclosed manual motor controllers are rotary operated, 3 pole, 600V Hp rated switches, housed in thermoplastic/polycarbonate or sheet steel enclosures. They are suitable for wet and corrosive environments.

Plastic enclosed manual motor controllers

- UL/NEMA 3R/12 and NEMA 4X versions
- Standard black handle, selector or pistol type

ISOLATORS-HD products are properly installed on the load side of a branch circuit protective device and are suitable for use as motor disconnects as illustrated in figure.



■ TECHNICAL DATA SWITCH DISCONNECTORS (UL 508)

			20A	30A	40A	
Rated insulation voltage Ui		Vac	690	690	690	
		Vdc	400	400	400	
Rated impulse withstand voltage Uimp		kV	4	4	4	
Thermal current Ith		A	20	30	40	
Thermal current Ithe		A	20	30	40	
Hp ratings	General applications - Single-phase and Three-phase	600V A	20	30	40	
		120V Hp	1,5	1,5	2	
	AC motor, all-pole interruption - Single-phase	240V Hp	2,5	3	5	
		240V Hp	5	7,5	10	
		AC motor, B, C, D, all-pole interruption - Three-phase	480V Hp	7,5	10	15
			600V Hp	10	15	20
Field wiring size	Flexible wire	mm ²	1,5-10	1,5-10	1,5-10	
		AWG	16-8	16-8	16-8	
	Rigid wire	mm ²	1,5-16	1,5-16	1,5-16	
		AWG	16-8	16-8	16-8	
Short circuit ratings	Fuse class RK5 (time-delay)	(A) rms	5000	5000	5000	
	Fuse class J (fast-acting)	(A) rms	10000	10000	10000	

Industrial plugs and sockets

■ WATERTIGHT AND SPLASHPROOF PIN AND SLEEVE DEVICES IP67

EUREKA-HD Series

UL LISTED
E238171, E238172



A	Poles & Wires	Configuration			Voltage/ Colour Coding	Plug	Connector	Receptacle	Inlet
		Receptacle/ Connector	Plug/ Inlet	Clock position					
20	3P 4W			7h	3Ø480	SCM420P7W	SCM420C7W	SCM420R7W	SCM420B7W
	4P 5W			7h	3ØY277/480	SCM520P7W	SCM520C7W	SCM520R7W	SCM520B7W
30	3P 4W			7h	3Ø480	SCM430P7W	SCM430C7W	SCM430R7W	SCM430B7W
	4P 5W			7h	3ØY277/480	SCM530P7W	SCM530C7W	SCM530R7W	SCM530B7W
60	3P 4W			7h	3Ø480	SCM460P7W	SCM460C7W	SCM460R7W	SCM460B7W
	4P 5W			7h	3ØY277/480	SCM560P7W	SCM560C7W	SCM560R7W	SCM560B7W

■ APPLICATION EXAMPLES



■ INTERLOCKED SOCKET OUTLETS IP67

ADVANCE-GRP System



A	Poles & Wires	Configuration			Voltage/ Colour Coding	Interlocked	Interlocked with MCB	Interlocked without base (*)	Interlocked without base with MCB (*)
		Receptacle/ Connector	Plug/ Inlet	Clock position					
20	3P 4W			7h	3Ø480	SCM420MI7W	SCM420MI7W-M	SCM420MI7W-NB	SCM420MI7W-NBM
	4P 5W			7h	3ØY277/480	SCM520MI7W	SCM520MI7W-M	SCM520MI7W-NB	SCM520MI7W-NBM
30	3P 4W			7h	3Ø480	SCM430MI7W	SCM430MI7W-M	SCM430MI7W-NB	SCM430MI7W-NBM
	4P 5W			7h	3ØY277/480	SCM530MI7W	SCM530MI7W-M	SCM530MI7W-NB	SCM530MI7W-NBM
60	3P 4W			7h	3Ø480	SCM460MI7W	SCM460MI7W-M	SCM460MI7W-NB	SCM460MI7W-NBM
	4P 5W			7h	3ØY277/480	SCM560MI7W	SCM560MI7W-M	SCM560MI7W-NB	SCM560MI7W-NBM


(*) Select bases in the next page of the catalogue.


■ APPLICATION EXAMPLES





Products for wineries


■ IP66/IP67 BASES AND CONSUMER UNIT

Description	Module	DIN modules	HxB (mm)	Power dissipation (W)	☐		
						16A-32A	63A
Base for one socket	16A-32A	-	260x130	-	1	579.5100	
	63A	-	380x170	-	1		579.5200

Description	Module	DIN modules	HxB (mm)	Power dissipation (W)	☐		
						16A-32A	63A
Base for one socket with derivation box	16A-32A	-	460x130	9	1	579.5110	
	63A	-	580x170	13	1		579.5210

Description	Module	DIN modules	HxB (mm)	Power dissipation (W)	☐		
						16A-32A	63A
Base for one socket with consumer unit	16A-32A	6	460x130	9	1	579.5111	
	63A	8	580x170	13	1		579.5211

Description	Module	DIN modules	HxB (mm)	Power dissipation (W)	☐		
						16A-32A	63A
Base for two sockets with derivation box	16A-32A	-	460x260	16	1	579.5120	
	63A	-	-	-	-		-

Description	Module	DIN modules	HxB (mm)	Power dissipation (W)	☐		
						16A-32A	63A
Base for two sockets with consumer unit	16A-32A	13	460x260	16	1	579.5121	
	63A	-	-	-	-		-

Power dissipation in conformity with CEI 23-48 CEI 23-49. IP66/IP67 when coupled with the respective component.

☐ Pack Quantity.

■ **BACK BOX**



Description	HUB size (Inch)	Receptacle	Inlets	Cubic Inch capacity	Packaging	
Size 1 (small)	1	16/20A - 32/30A	-	30	1/10	SCMBB01
Size 2 (medium)	1 ¼	63/60A	16/20A - 32/30A - 63/60A	75	1/10	SCMBB02

Notes:
 - Internal grounding plate provided
 - HUB is not included

■ **NON-FUSIBLE MOTOR DISCONNECT SWITCHES
3 POLES - SURFACE MOUNTING 20A ÷ 40A**

306x226x115 mm



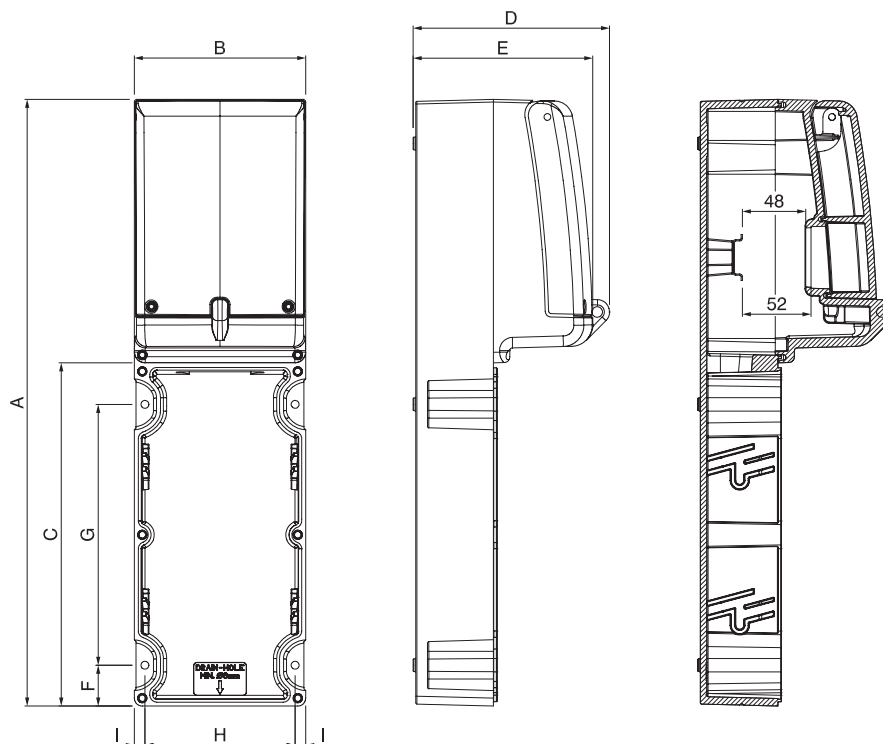
	Poles	IP degree	□	GENERAL USE	
20A	3	IP66	1/12	■	SCM.20DS3-S1
30A	3	IP66	1/12	■	SCM.30DS3-S1
40A	3	IP66	1/12	■	SCM.40DS3-S1

□ Package/Bulk Pack
 - Equipped with door locking.
 - Switch disconnectors units suitable as spare parts available in the general catalogue.

	Padlockable handle in one position (OFF).
	Padlockable handle in two positions (ON/OFF).
	OFF position = 3 padlocks
	ON position = 1 padlock

Products for wineries

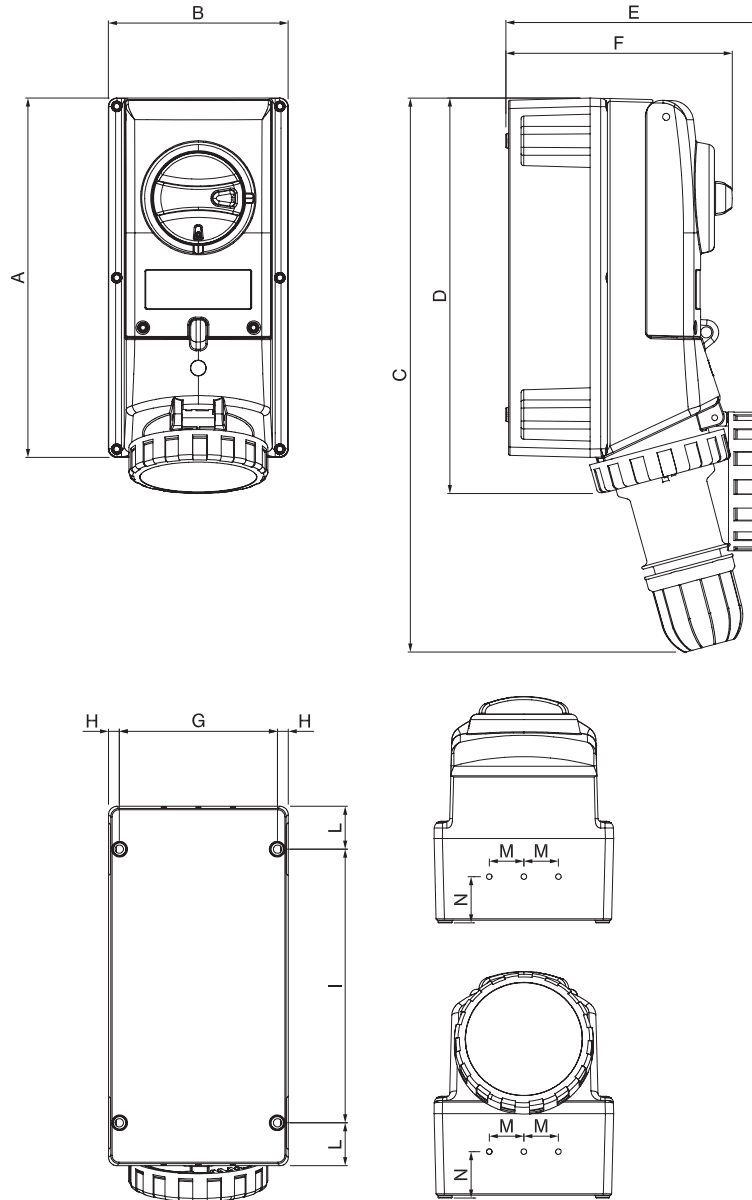
■ DIMENSIONS - BASES ADVANCE-GRP 20A-30A-60A



VERSION	A	B	C	D	E	F	G	H	I
579.5110	460	130	260	-	137	31	198	114	8
579.5111	460	130	260	150	137	31	198	114	8
579.5121	460	260	260	-	137	31	198	244	8
579.5120	460	260	260	150	137	31	198	244	8
579.5210	580	170	380	-	181,5	35	310	150	10
579.5211	580	170	380	168	181,5	35	310	150	10

(Dimensions in mm)

■ DIMENSIONS - SOCKET OUTLETS ADVANCE-GRP 20A-30A-60A

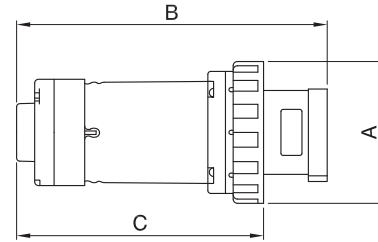
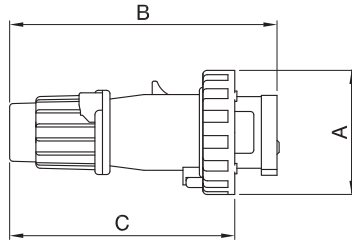


VERSION	A	B	C	D	E	F	G	H	I	L	M	N
2P+E 20A	260	130	360	280	170	164	114,5	7,75	198	31	25	33,5
3P+E 20A	260	130	365	282	175	164	114,5	7,75	198	31	25	33,5
3P+N+E 20A	260	130	390	282	182	164	114,5	7,75	198	31	25	33,5
2/3P+E 30A	260	130	390	285	189	164	114,5	7,75	198	31	25	33,5
3P+N+E 30A	260	130	400	286	185	164	114,5	7,75	198	31	25	33,5
2P+E 60A												
3P+E 60A	380	170	550	420	225	203	150	8,3	310	35	32,5	40
3P+N+E 60A												

(Dimensions in mm)

Products for wineries

■ DIMENSIONS - EUREKA-HD

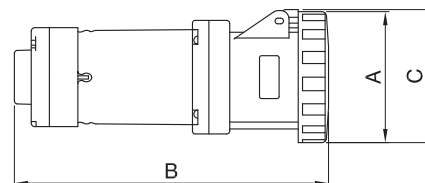
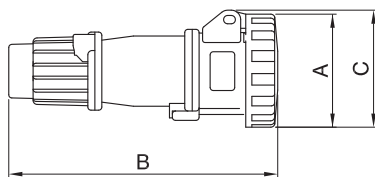


PLUG IP67 20A AND 30A

	A		B		C		Corp grip range	
	inches	mm	inches	mm	inches	mm	inches	mm
16/20A 2P3W	2,87	73	6,20	157	5,23	133	.570-.710	14-18
16/20A 3P4W	3,17	81	6,47	164	5,51	140	.570-.710	14-18
16/20A 4P5W	3,48	88	7,02	178	6,06	154	.570-.710	14-18
30/32A 2P3W	3,66	93	7,37	187	6,13	156	.675-.910	17-23
30/32A 3P4W	3,66	93	7,37	187	6,13	156	.675-.910	17-23
30/32A 4P5W	3,96	101	8,15	207	6,91	176	.675-.910	17-23

PLUG IP67 60A

	A		B		C		Corp grip range	
	inches	mm	inches	mm	inches	mm	inches	mm
60/63A 2P3W	4,41	112	9,68	246	7,67	195	.937-1,375	24-35
60/63A 3P4W	4,41	112	9,68	246	7,67	195	.937-1,375	24-35
60/63A 4P5W	4,41	112	9,68	246	7,67	195	.937-1,375	24-35



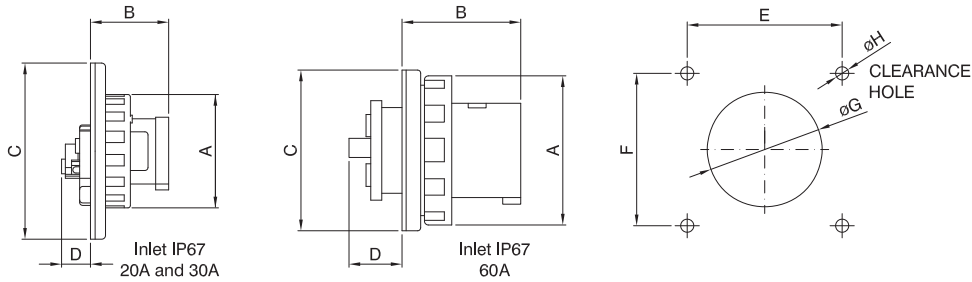
CONNECTOR IP67 20A AND 30A

	A		B		C		Corp grip range	
	inches	mm	inches	mm	inches	mm	inches	mm
16/20A 2P3W	2,87	73	6,75	171	2,97	75	.570-.710	14-18
16/20A 3P4W	3,17	81	7,04	179	3,28	83	.570-.710	14-18
16/20A 4P5W	3,48	88	7,62	194	3,75	95	.570-.710	14-18
30/32A 2P3W	3,66	93	8,04	204	4,04	103	.675-.910	17-23
30/32A 3P4W	3,66	93	8,04	204	4,04	103	.675-.910	17-23
30/32A 4P5W	3,96	101	8,83	224	4,03	102	.675-.910	17-23

CONNECTOR IP67 60A

	A		B		C		Corp grip range	
	inches	mm	inches	mm	inches	mm	inches	mm
60/63A 2P3W	4,41	112	10,52	267	4,47	114	.937-1,375	24-35
60/63A 3P4W	4,41	112	10,52	267	4,47	114	.937-1,375	24-35
60/63A 4P5W	4,41	112	10,52	267	4,47	114	.937-1,375	24-35

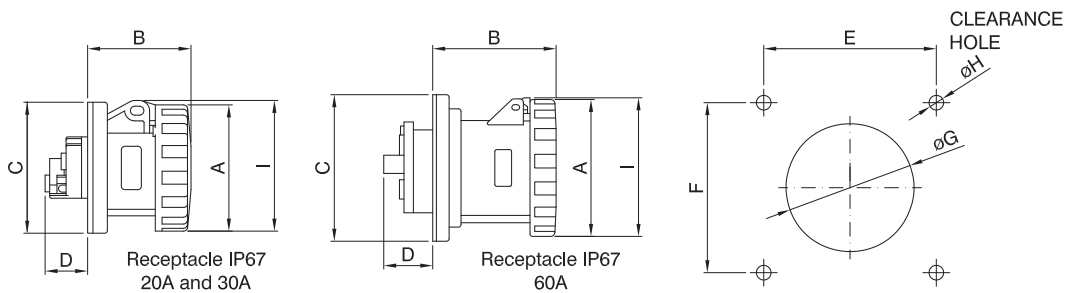
(Dimensions in mm)


INLET IP67 20A AND 30A

	A		B		C		D		E		F		G		H	
	inches	mm	inches	mm	inches	mm	inches	mm	inches	mm	inches	mm	inches	mm	inches	mm
16/20A 2P3W	2,87	73	1,96	50	4,50	114	,75	19	3,87	98	3,87	98	2,38	60	,282	7,2
16/20A 3P4W	3,17	81	1,96	50	4,50	114	,75	19	3,87	98	3,87	98	2,38	60	,282	7,2
16/20A 4P5W	3,48	88	1,96	50	4,50	114	,75	19	3,87	98	3,87	98	2,38	60	,282	7,2
30/32A 2P3W	3,66	93	2,32	59	4,50	114	1,32	34	3,87	98	3,87	98	2,38	60	,282	7,2
30/32A 3P4W	3,66	93	2,32	59	4,50	114	1,32	34	3,87	98	3,87	98	2,38	60	,282	7,2
30/32A 4P5W	3,96	101	2,32	59	4,50	114	1,32	34	3,87	98	3,87	98	2,38	60	,282	7,2

INLET IP67 60A

	A		B		C		D		E		F		G		H	
	inches	mm	inches	mm	inches	mm	inches	mm	inches	mm	inches	mm	inches	mm	inches	mm
60/63A 2P3W	4,41	112	3,44	87	4,50	114	1,68	43	3,87	98	3,87	98	3,25	83	,282	7,2
60/63A 3P4W	4,41	112	3,44	87	4,50	114	1,68	43	3,87	98	3,87	98	3,25	83	,282	7,2
60/63A 4P5W	4,41	112	3,44	87	4,50	114	1,68	43	3,87	98	3,87	98	3,25	83	,282	7,2


RECEPTACLE IP67 20A AND 30A

	A		B		C		D		E		F		G		H		I	
	inches	mm	inches	mm	inches	mm	inches	mm	inches	mm	inches	mm	inches	mm	inches	mm	inches	mm
16/20A 2P3W	2,87	73	2,32	59	2,97	,76	,94	24	2,36	60	2,36	60	2,38	60	,219	5,5	2,97	75
16/20A 3P4W	3,17	81	2,34	60	2,97	,76	,94	24	2,36	60	2,36	60	2,38	60	,219	5,5	3,28	83
16/20A 4P5W	3,48	88	2,37	60	2,97	,76	,94	24	2,36	60	2,36	60	2,38	60	,219	5,5	3,75	95
30/32A 2P3W	3,66	93	2,79	71	2,97	,76	1,52	39	2,36	60	2,36	60	2,38	60	,219	5,5	4,04	103
30/32A 3P4W	3,66	93	2,79	71	2,97	,76	1,52	39	2,36	60	2,36	60	2,38	60	,219	5,5	4,04	103
30/32A 4P5W	3,96	101	2,81	71	2,97	,76	1,52	39	2,36	60	2,36	60	2,38	60	,219	5,5	4,03	102

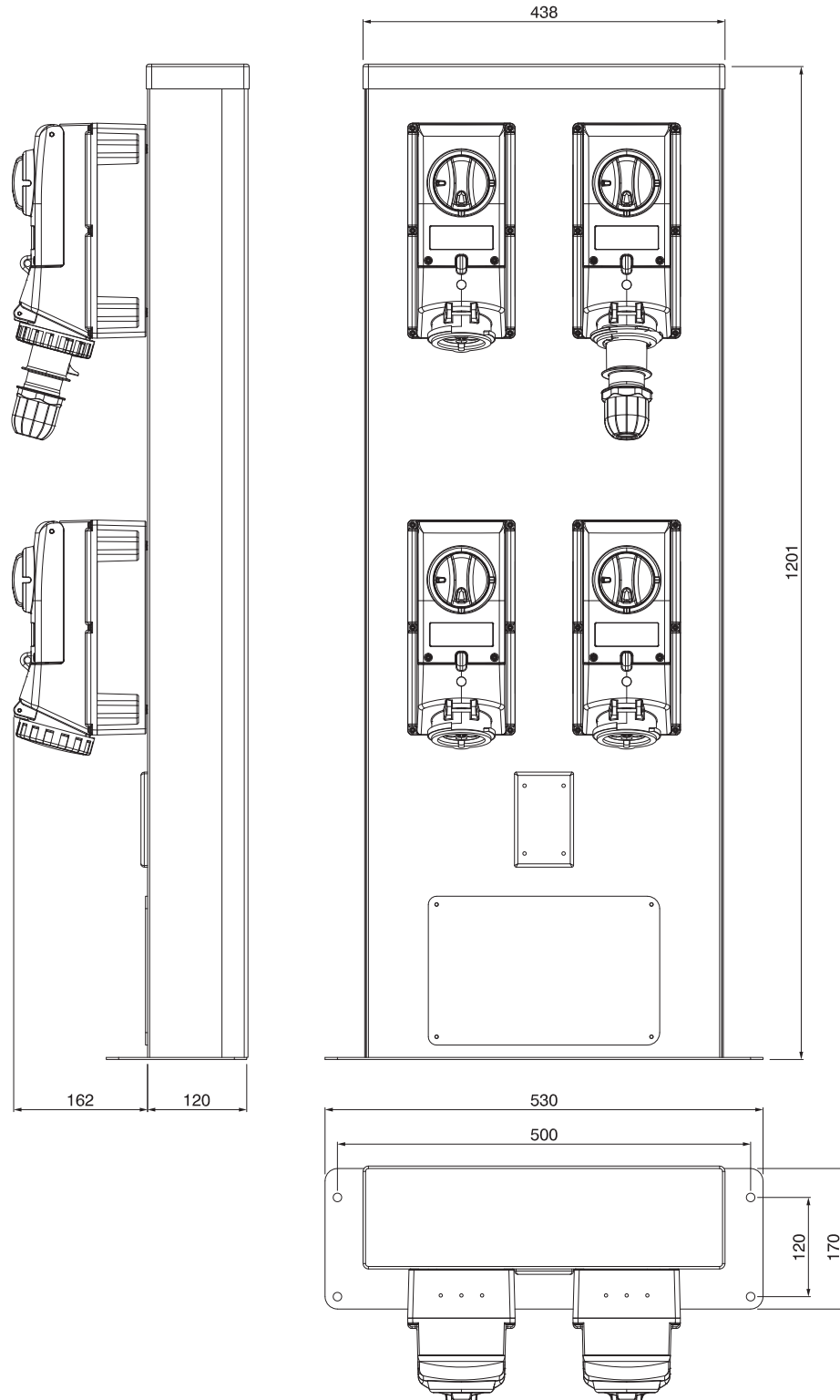
RECEPTACLE IP67 60A

	A		B		C		D		E		F		G		H		I	
	inches	mm	inches	mm	inches	mm	inches	mm	inches	mm	inches	mm	inches	mm	inches	mm	inches	mm
60/63A 2P3W	4,41	112	4,16	106	4,50	114	1,68	43	3,87	98	3,87	98	3,25	83	,282	7,2	4,47	114
60/63A 3P4W	4,41	112	4,16	106	4,50	114	1,68	43	3,87	98	3,87	98	3,25	83	,282	7,2	4,47	114
60/63A 4P5W	4,41	112	4,16	106	4,50	114	1,68	43	3,87	98	3,87	98	3,25	83	,282	7,2	4,47	114

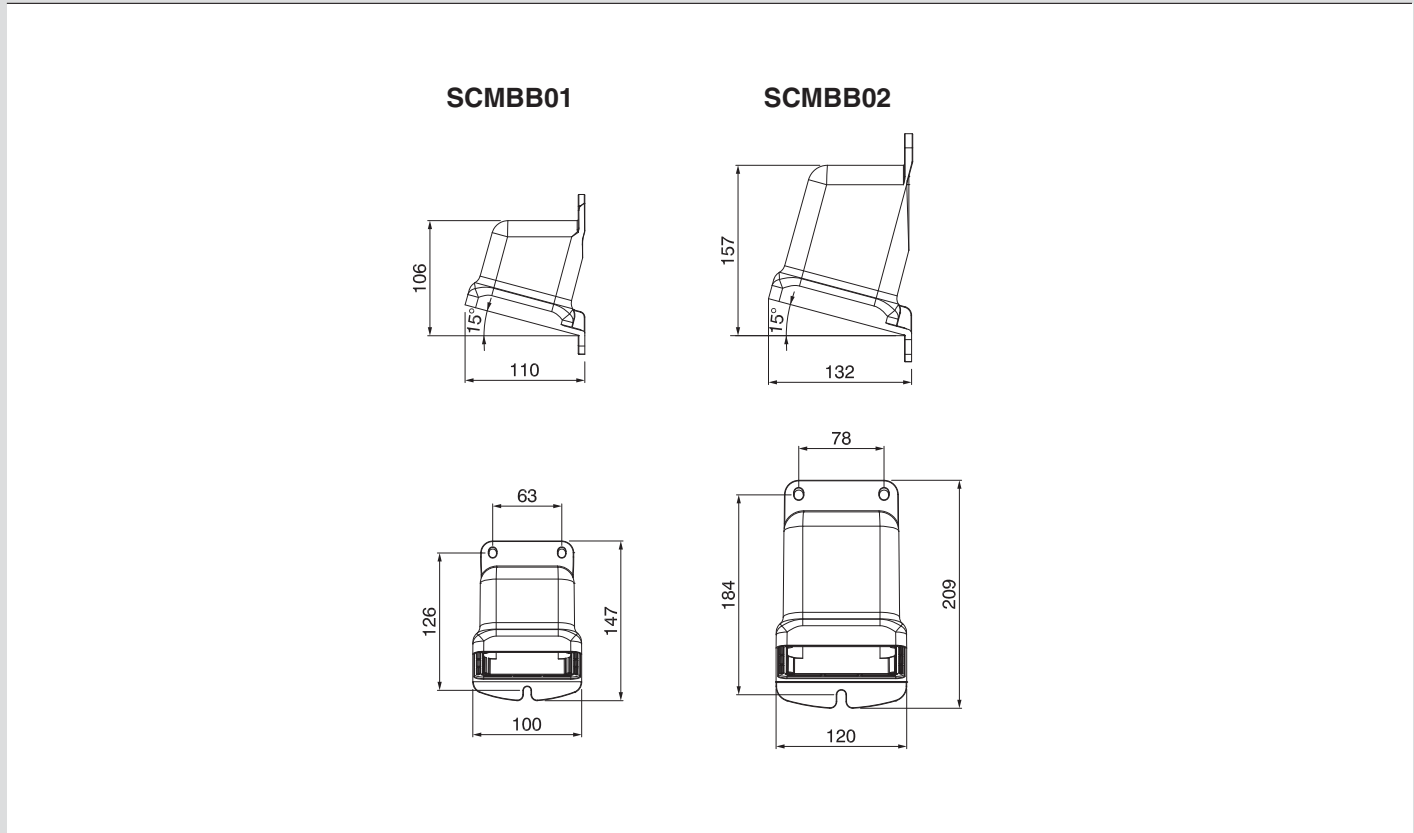
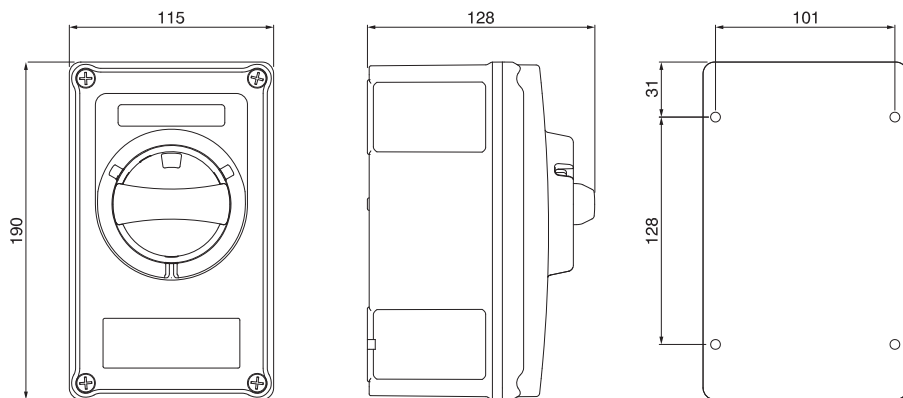
(Dimensions in mm)

Products for wineries

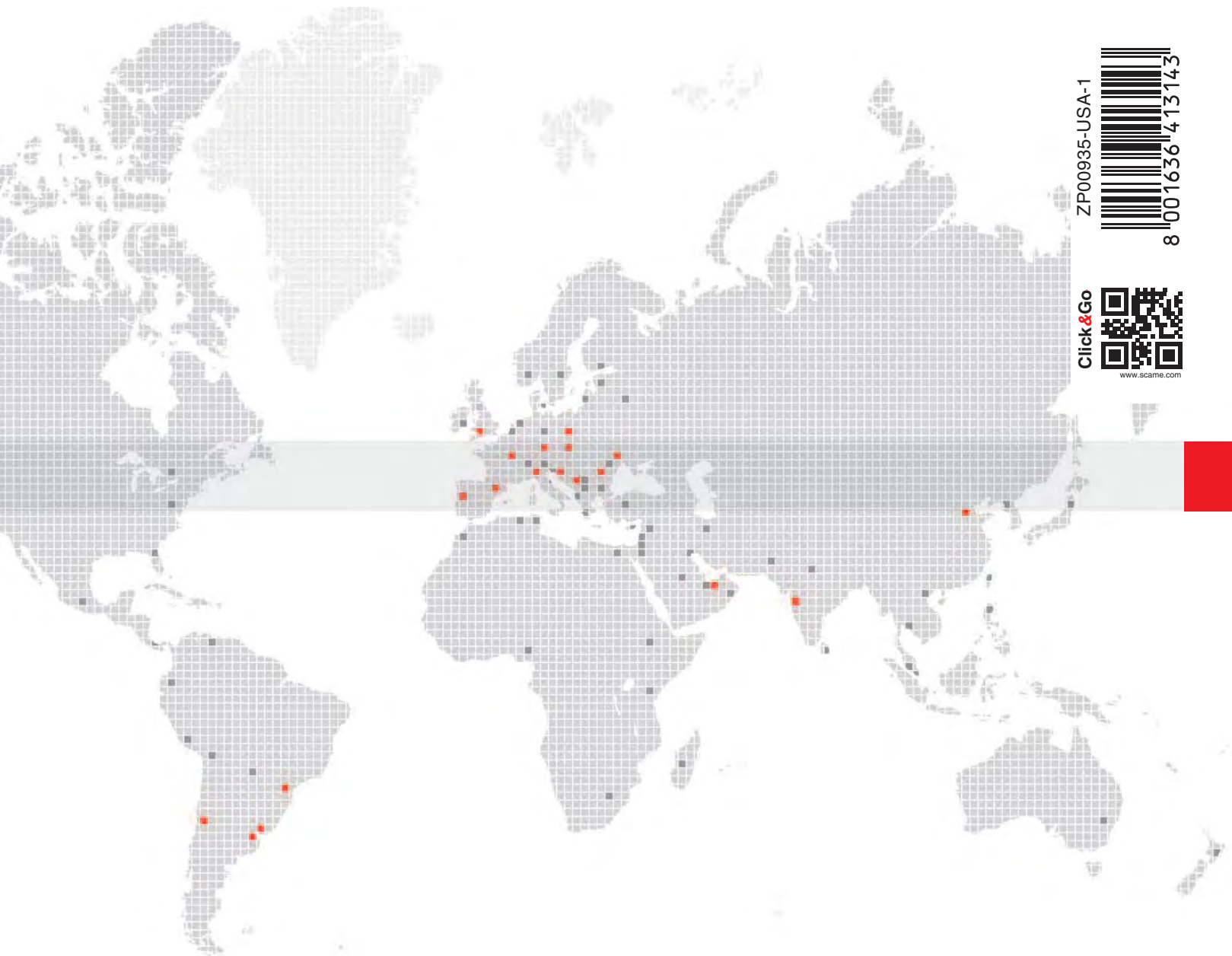
■ DIMENSIONS - DISTRIBUTION PEDESTAL TERMINAL



(Dimensions in mm)

■ DIMENSIONS - BACK BOX

■ DIMENSIONS - NON-FUSIBLE MOTOR DISCONNECT SWITCHES
3 POLES 20A, 30A, 40A


(Dimensions in mm)



ZP00935-USA-1



Click&Go



www.scame.com

- SCAME-AR Argentina
- SCAME-BE Bosnia Herzegovina
- SCAME-BR Brazil
- SCAME-CL Chile
- SCAME-CN China
- SCAME-CR Croatia
- SCAME-CZ Czech Republic
- SCAME-FR France
- SCAME-IN India
- SCAME-PL Poland
- SCAME-PT Portugal
- SCAME-RO Romania
- SCAME-SK Slovakia
- SCAME-ES Spain
- SCAME-EG U.A.E.
- SCAME-GB United Kingdom
- SCAME-UY Uruguay
- SCAME-UA Ukraine



Power Dynamics, Inc.
 145 Algonquin Parkway
 Whippany, NJ 07981
 Phone(973)560-0019

www.powerdynamics.com
 sales@powerdynamics.com



ScameOnLine
 www.scame.com
 export@scame.com

SCAME PARRE S.p.A.
 VIA COSTA ERTA, 15
 24020 PARRE (BG) ITALY
 TEL. +39 035 705000
 FAX +39 035 703122

