

**iwata**  
by ANEST IWATA



PROFESSIONAL  
**AIRBRUSHES**  
& COMPRESSORS



PRICE LIST 2018



**MEDEA**

### SHORT PAINT PASSAGE

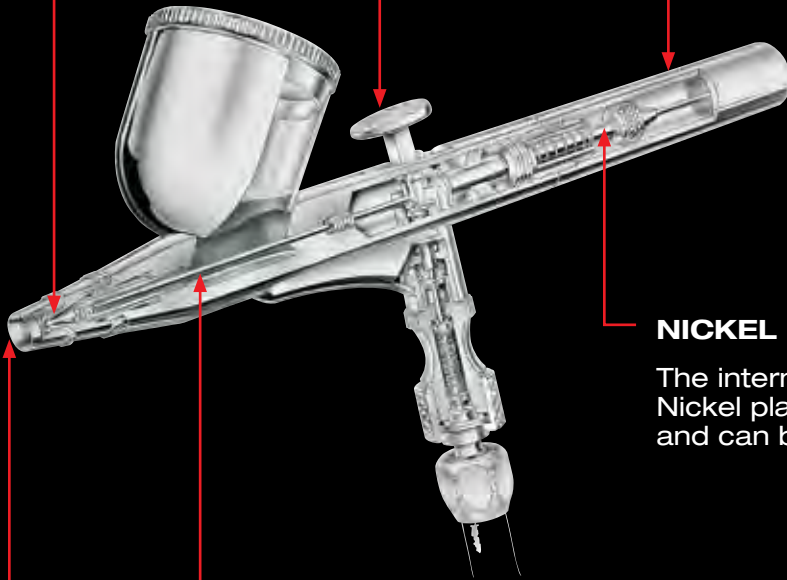
The gravity fed airbrushes have a very short fluid passage, easy to clean and simple to maintain.

### ANTI CORROSIVE PROTECTIVE EXTERIOR

The exterior is nickel and chrome plated. External clean up is easy as paint will not readily stick to the chrome surface.

### MAIN LEVER

Incredibly smooth feel.



### NICKEL PLATED INTERIOR PARTS

The internal parts last longer and resist corrosion. Nickel plated parts will not stick together and can be taken apart manually.

### STAINLESS STEEL NEEDLES

The long gradual taper of the stainless steel needle offers the ultimate in spray control. The extremely sharp tip ensures fine line consistency.

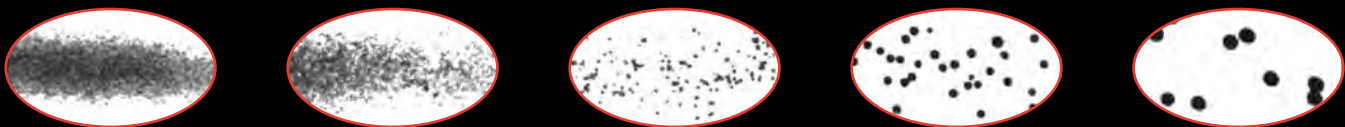
### STAINLESS STEEL NOZZLES

Each nozzle is made with extreme precision using the industry's most sophisticated machinery. They are tested one by one to ensure accurate control and excellent atomization. They are self sealing to eliminate the need for messy sealers. Stainless steel nozzles are more durable than conventional brass nozzles and resist chemical corrosion.

## Stipple Patterns

A stippling effect can be achieved by removing the nozzle cap and regulating the air pressure.

An entire range of stippling effects can be sprayed, from very fine to coarse textures.



**1 AIRBRUSHES**

<b>CUSTOM MICRON 2 series</b>	CM-C2 Plus, CM-C2, CM-B2, CM-SB2.....	2
	<i>Spare Parts</i> .....	10
<b>HI LINE series</b>	HP-AH, HP-BH, HP-CH .....	3
	<i>Spare Parts</i> .....	11
<b>HIGH PERFORMANCE PLUS series</b>	HP-AP, HP-BP, HP-CP, HP-SBP, HP-BCP .....	4
	<i>Spare Parts</i> .....	12
<b>ECLIPSE series</b>	HP-BS, HP-CS, HP-SBS, HP-BCS, HP-G3, HP-G5 .....	5
	<i>Spare Parts</i> .....	13 - 14
<b>REVOLUTION series</b>	HP-AR, HP-BR, HP-CR, HP-SAR, HP-BCR .....	6
	<i>Spare Parts</i> .....	15
	HP-TR0, HP-TR1, HP-TR2 .....	8
	<i>Spare Parts</i> .....	16
<b>REVOLUTION MINI LINE series</b>	HP-M1, HP-M2 .....	7
	<i>Spare Parts</i> .....	17
<b>NEO series</b>	HP-CN, HP-BCN .....	8
	<i>Spare Parts</i> .....	18
<b>NEO TRIGGER series</b>	HP-TRN1, HP-TRN2 .....	8
	<i>Spare Parts</i> .....	19
<b>KUSTOM series</b>	HP-TH, HP-CM, HP-TR, HP-CH, HP-CS .....	9
	<i>Spare Parts</i> .....	20 - 24

**2 COMPRESSORS & ACCESSORIES**

<b>Airbrush Compressors</b> .....	26 - 28
<b>Airbrush Accessories</b> .....	29 - 30
<b>Airbrush Kits</b> .....	31

**3 ARTOOL Series**

<b>Templates</b> .....	32 - 37
<b>Books and Videos</b> .....	37
<b>Accessories</b> .....	38

**4 COM•ART - MEDEA Paints**

<b>COM•ART Colours</b> .....	39 - 42
<b>MEDEA Body Art</b> .....	43
<b>MEDEA Nail Art</b> .....	44

**5 Other**

<b>Medea Modular Paint Holders</b> .....	45
<b>Airbrush Stand &amp; Display</b> .....	46 - 47
<b>Superseded Products</b>	
CUSTOM MICRON Series CM-C Plus, CM-C, CM-B, CM-SB .....	48





For the elite professional who demands precise and accurate control of very detailed spraying, the Custom Micron Series is built to be the "best of the best", hand-tested and adjusted by the world's leading airbrush technicians. Special machining processes along with the meticulous hand-fitting of the parts create an airbrush with superb atomization and incredible control. By removing the crown cap and nozzle cap, these airbrushes will spray an entire range of stipple effects, from very fine to coarse textures.



- Adjustable main lever tension
- Pre-set handle
- Repleceable PTFE needle packing

## Custom Micron CM-C2 Plus

SMP\*

**Code: ICM 4502** Red Metal Box      Ø 0.23      **R11 400,00**

**Code: ICM 4518** Red Metal Box      Ø 0.18      **R11 400,00**

- Feed: \_\_\_\_\_ Gravity
- Ø Fluid nozzle: \_\_\_\_\_ 0.23 or 0.18 mm
- Cup capacity: \_\_\_\_\_ 9 ml
- Type: \_\_\_\_\_ Double Action



- Adjustable main lever tension
- Pre-set handle
- Crown cap

## Custom Micron CM-C2

SMP\*

**Code: ICM 4002** Red Metal Box      Ø 0.23      **R9 256,80**

- Feed: \_\_\_\_\_ Gravity
- Ø Fluid nozzle: \_\_\_\_\_ 0.23 mm
- Cup capacity: \_\_\_\_\_ 9 ml
- Type: \_\_\_\_\_ Double Action



- Adjustable main lever tension
- Pre-set handle
- Crown cap

## Custom Micron CM-B2

SMP\*

**Code: ICM 2002** Red Metal Box      Ø 0.18      **R9 256,80**

**Code: ICM 2023** Red Metal Box      Ø 0.23      **R9 256,80**

- Feed: \_\_\_\_\_ Gravity
- Ø Fluid nozzle: \_\_\_\_\_ 0.18 or 0.23 mm
- Cup capacity: \_\_\_\_\_ 1.8 ml
- Type: \_\_\_\_\_ Double Action



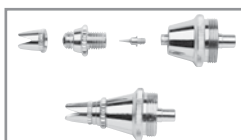
- Adjustable main lever tension
- Pre-set handle
- Crown cap
- Right or left side-feed cup position

## Custom Micron CM-SB2

SMP\*

**Code: ICM 3002** Red Metal Box      Ø 0.18      **R9 256,80**

- Feed: \_\_\_\_\_ Side Feed
- Ø Fluid nozzle: \_\_\_\_\_ 0.18 mm
- Cup capacity: \_\_\_\_\_ 3.8 ml
- Type: \_\_\_\_\_ Double Action



**Matched Head System**



Featuring the ultimate in air control directly at the nozzle with Iwata's Micro Air Control (MAC) Valve Technology, the Hi-Line Series is designed for artists who need extreme control of detailed spraying. The Hi-Line Series is made with PTFE needle packing, a dual-purpose cutaway, pre-set handle and one-piece auxiliary lever/needle chucking guide.



- Adjustable main lever tension
- Pre-set handle
- External needle adjustment: standard
- MAC air valve



- Adjustable main lever tension
- Pre-set handle
- External needle adjustment: standard
- MAC air valve



- Adjustable main lever tension
- Pre-set handle
- External needle adjustment: standard
- MAC air valve

## Hi-Line HP-AH

SMP\*

**Code: H 1100**

Ø 0.20 R6 452,40

• Feed:	_____	Gravity
• Ø Fluid nozzle:	_____	0.20 mm
• Cup capacity:	_____	0.9 ml
• Type:	_____	Double Action

## Hi-Line HP-BH

SMP\*

**Code: H 2100**

Ø 0.20 R6 452,40

• Feed:	_____	Gravity
• Ø Fluid nozzle:	_____	0.20 mm
• Cup capacity:	_____	1.8 ml
• Type:	_____	Double Action

## Hi-Line HP-CH

SMP\*

**Code: H 4100**

Ø 0.30 R6 452,40

• Feed:	_____	Gravity
• Ø Fluid nozzle:	_____	0.30 mm
• Cup capacity:	_____	9 ml
• Type:	_____	Double Action



\*SMP = Suggested Market Price • All prices exclude local VAT

iwata  
**High Performance**  
 High-Precision, High-Detail Work  
 plus

Renowned as the professional's workhorse, the popular High Performance Series has been pumped up with these inspired features: Teflon™ needle packing, a dual-purpose, cutaway and pre-set handle and a one-piece auxiliary lever/needle-chucking guide.



- Adjustable main lever tension
- Pre-set handle
- External needle adjustment: standard



- Adjustable main lever tension
- Pre-set handle
- External needle adjustment: standard



- Adjustable main lever tension
- Pre-set handle
- External needle adjustment: standard



- Adjustable main lever tension
- Pre-set handle
- External needle adjustment: standard
- Optional: side gravity cup 7.0 ml  
gravity cup 14 ml  
siphon bottle 28 ml



- Adjustable main lever tension
- Pre-set handle
- External needle adjustment: standard

## HI-Performance PLUS HP-AP SMP\*

**Code: H 1001** Ø 0.20 **R5 084,40**

- Feed: Gravity
- Ø Fluid nozzle: 0.20 mm
- Cup capacity: 0.9 ml
- Type: Double Action

## HI-Performance PLUS HP-BP SMP\*

**Code: H 2001** Ø 0.20 **R5 084,40**

- Feed: Gravity
- Ø Fluid nozzle: 0.20 mm
- Cup capacity: 1.8 ml
- Type: Double Action

## HI-Performance PLUS HP-CP SMP\*

**Code: H 4001** Ø 0.30 **R5 084,40**

- Feed: Gravity
- Ø Fluid nozzle: 0.30 mm
- Cup capacity: 9 ml
- Type: Double Action

## HI-Performance PLUS HP-SBP SMP\*

**Code: H 3001** Ø 0.20 **R6 292,80**

- Feed: Side Feed
- Ø Fluid nozzle: 0.20 mm
- Cup capacity: 3.8 ml
- Type: Double Action

## HI-Performance PLUS HP-BCP SMP\*

**Code: H 5001** Ø 0.30 **R6 338,40**

- Feed: Suction
- Ø Fluid nozzle: 0.30 mm
- Cup capacity: 28 ml
- Type: Double Action

\*SMP = Suggested Market Price • All prices exclude local VAT



## iwata Eclipse

Ultimate Versatility, Reliability and Performance

The multi-purpose, high-paint-flow, high-detail airbrushes of the Eclipse Series cover a wide range of uses. Commonly used to spray premixed or heavier paints, they are well suited for uses demanding precise control of spray when applying moderate-to-large amounts of paint to a variety of surfaces and to various-sized areas. The Eclipse Series has established a new benchmark for excellence in an all-purpose airbrush.



- Single cut-away handle
- Adjustable main lever tension



- Single cut-away handle
- Adjustable main lever tension



- Single cut-away handle
- Adjustable main lever tension
- Right or left-handed cup position
- Optional: side gravity cup 7.0 ml  
gravity cup 14 ml  
siphon bottle 28 ml



- Single cut-away handle
- Adjustable main lever tension
- Solvent resistant o-ring

- Stainless steel paint passage
- Pre-set needle adjustment
- Air pressure adjustment
- Fan pattern adjustment
- Cartridge-style air valve set
- Fan pattern air cap



Iwata IS 925 HT\*



### Eclipse HP-BS SMP\*

**Code: ECL 2500** Ø 0.35 **R3 739,20**

- Feed: Gravity
- Ø Fluid nozzle: 0.35 mm
- Cup capacity: 1.8 ml
- Type: Double Action

### Eclipse HP-CS SMP\*

**Code: ECL 4500** Ø 0.35 **R3 739,20**

- Feed: Gravity
- Ø Fluid nozzle: 0.35 mm
- Cup capacity: 9 ml
- Type: Double Action

### Eclipse HP-SBS SMP\*

**Code: ECL 3500** Ø 0.35 **R3 898,80**

- Feed: Side Feed
- Ø Fluid nozzle: 0.35 mm
- Cup capacity: 3.8 ml
- Type: Double Action

### Eclipse HP-BCS SMP\*

**Code: ECL 2000** Ø 0.50 **R3 511,20**

- Feed: Suction
- Ø Fluid nozzle: 0.5 mm
- Bottle capacity: 28 ml
- Type: Double Action

### Eclipse HP-G3 & HP-G5 SMP\*

For Small Repairs, Mural, Tanning and Hobby

**Code: ECL 9100** Ø 0.30 **R9 598,80**

**Code: ECL 9200** Ø 0.50 **R9 598,80**

- Feed: Gravity
- Ø Fluid nozzle (G3): 0.30 mm
- Ø Fluid nozzle (G5): 0.50 mm
- Cup capacity (G3): 130 ml
- Cup capacity (G5): 220 ml
- Type: Double Action

\*Works well with the NEW Iwata IS 925 HT Compressors (see page 27 for reference)



## iwata Revolution

Quality, Performance and Value



- Replaceable PTFE needle packing
- Solid ergonomic handle
- Adjustable main lever tension



- Replaceable PTFE needle packing
- Solid ergonomic handle
- Adjustable main lever tension



- Pre-set handle
- Adjustable main lever tension
- Crown cap



- Replaceable PTFE needle packing
- Solid ergonomic handle
- Adjustable main lever tension



- Replaceable PTFE needle packing
- Solid ergonomic handle
- Adjustable main lever tension

Made for users at all levels, the Revolution Series features top-of-the-line airbrushes at great value. With breakthrough technology and performance, these airbrushes outperform all others in their price range.

### Revolution HP-AR

SMP\*

**Code: R 1500**

Ø 0.30

**R2 644,80**

- Feed: \_\_\_\_\_ Gravity
- Ø Fluid nozzle: \_\_\_\_\_ 0.30 mm
- Fluid cavity: \_\_\_\_\_ 0.9 ml
- Type: \_\_\_\_\_ Double Action

### Revolution HP-BR

SMP\*

**Code: R 2500**

Ø 0.30

**R2 644,80**

- Feed: \_\_\_\_\_ Gravity
- Ø Fluid nozzle: \_\_\_\_\_ 0.30 mm
- Cup capacity: \_\_\_\_\_ 1.8 ml
- Type: \_\_\_\_\_ Double Action

### Revolution HP-CR

SMP\*

**Code: R 4500**

Ø 0.50

**R2 644,80**

- Feed: \_\_\_\_\_ Gravity
- Ø Fluid nozzle: \_\_\_\_\_ 0.50 mm
- Cup capacity: \_\_\_\_\_ 9 ml
- Type: \_\_\_\_\_ Double Action

### Revolution HP-SAR

SMP\*

**Code: R 1000**

Ø 0.50

**R2 462,40**

- Feed: \_\_\_\_\_ Suction
- Ø Fluid nozzle: \_\_\_\_\_ 0.50 mm
- Cup capacity: \_\_\_\_\_ 28 ml
- Type: \_\_\_\_\_ Single Action

### Revolution HP-BCR

SMP\*

**Code: R 2000**

Ø 0.50

**R2 781,60**

- Feed: \_\_\_\_\_ Suction
- Ø Fluid nozzle: \_\_\_\_\_ 0.50 mm
- Cup capacity: \_\_\_\_\_ 28 ml
- Type: \_\_\_\_\_ Double Action

\*SMP = Suggested Market Price • All prices exclude local VAT



### iwata Revolution

Quality, Performance and Value

Fine detail to 1-1/2" spray pattern. Redesigned trigger mechanism and larger needle-chucking nut for easy assembly. Replaceable internal PTFE needle packing for use with solvent-based paints. Larger nozzle and needle combination (0.5 mm) makes for easier spraying of thicker or heavier paints.



- Replaceable PTFE needle packing
- Solid ergonomic handle
- Adjustable main lever tension



- Replaceable PTFE needle packing
- Solid ergonomic handle
- Adjustable main lever tension

#### Revolution HP-TR0 & HP-TR1 SMP\*

**Code: R 5002** HP-TR0 Ø 0.20 **R5 631,60**

**Code: R 5000** HP-TR1 Ø 0.30 **R5 631,60**

- Feed: \_\_\_\_\_ Side Gravity
- Ø Fluid nozzle (HP-TR0): \_\_\_\_\_ 0.20 mm
- Ø Fluid nozzle (HP-TR1): \_\_\_\_\_ 0.30 mm
- Cup capacity: \_\_\_\_\_ 9 ml
- Type: \_\_\_\_\_ Double Action

#### Revolution HP-TR2 SMP\*

**Code: R 5500** Ø 0.50 **R5 631,60**

- Feed: \_\_\_\_\_ Side Gravity
- Ø Fluid nozzle: \_\_\_\_\_ 0.5 mm
- Cup capacity: \_\_\_\_\_ 15 ml
- Type: \_\_\_\_\_ Double Action

## REVOLUTION MINI LINE Series



Gravity-Feed Single-Action Airbrush

The Revolution MINI Series features break through technology and top-of-the-line performance at great value. The MINI Series will become a significant tool for progressive Beauty Professional, Temporary Tattoo artist, RC enthusiasts and Model Builders. The HP-M Revolution are action gravity feed airbrushes with flow control at the back of airbrush by just twisting.

Also feature PTFE needle packing for use with solvent based paints. The MINI Series is great for the temporary tattoo artist, beauty professional, nail artists and model builders.



- Designed for low pressure applications



- Designed for low pressure applications

#### Mini Line HP-M1 SMP\*

**Code: R 1050** Ø 0.30 **R2 964,00**

- Feed: \_\_\_\_\_ Gravity
- Ø Fluid nozzle: \_\_\_\_\_ 0.30 mm
- Cup capacity: \_\_\_\_\_ 1.5 ml
- Type: \_\_\_\_\_ Single Action

#### Mini Line HP-M2 SMP\*

**Code: R 1060** Ø 0.40 **R2 964,00**

- Feed: \_\_\_\_\_ Gravity
- Ø Fluid nozzle: \_\_\_\_\_ 0.40 mm
- Cup capacity: \_\_\_\_\_ 7 ml
- Type: \_\_\_\_\_ Single Action

\*SMP = Suggested Market Price • All prices exclude local VAT



## neo for iwata



- Includes interchangeable large (1/3 oz.) and medium (1/16 oz.) cups designed with a funnel shape, which makes for easy clean-up and more efficient paint flow.



- Includes a 1 oz. Big Mouth Bottle. (Also compatible with other sizes of Big Mouth Bottles and Iwata bottles.)

THE BEST AIRBRUSH For THE FIRST TIME USER! The NEO is very affordable, sprays great with an inexpensive compressor and is backed by the leading company in the airbrush market.

### NEO HP-CN

SMP\*

Needle and nozzle combination for high-performance, general-purpose, high-paint-flow spraying and wider spray patterns.

**Code: N 4500**

Ø 0.35

**R1 938,00**

- Feed: Gravity
- Ø Fluid nozzle: 0.35 mm
- Interchangeable Cups: 9 ml cup - 2 ml cup - (0.9 ml w/o cup)
- Type: Double Action

### NEO HP-BCN

SMP\*

Needle and nozzle combination for finer detail spraying and medium-sized spray patterns.

**Code: N 2000**

Ø 0.50

**R1 938,00**

- Feed: Gravity
- Ø Fluid nozzle: 0.50 mm
- Bottle capacity: 28 ml
- Type: Double Action

# NEO TRIGGER Series

## neo for iwata

This is not any ordinary trigger Airbrush! The NEO Series, including these New NEO for Iwata Trigger Airbrushes, are unique in that they are designed to work at low air pressures. The benefits of the NEO Trigger Airbrushes working with low air pressures are minimal overspray, precise control, detailed spraying, fine atomization and affordability. Specifically designed to work together, the NEO AIR for Iwata Miniature Air Compressor and the New NEO for Iwata Trigger Airbrushes make the perfect set...affordable and compact!



- Applications include: cosmetics, nail art, miniature, hobbies, photo retouching, illustration.



- Applications include: model railroad, general hobbies, custom automotive graphics, tanning, body art, cosmetics.

### NEO HP-TRN1

SMP\*

Preferred when working in small- to medium-sized areas with small amounts of paint, the gravity-feed trigger airbrush performs well at lower air pressures, which helps create greater detail.

**Code: N 5500**

Ø 0.35

**R3 898,80**

- Feed: Gravity
- Ø Fluid nozzle: 0.35 mm
- Interchangeable Cups: 9 ml (large) - 2 ml (medium)
- Type: Double Action

### NEO HP-TRN2

SMP\*

When working in medium- to large-sized areas with larger amounts of paint, a side-feed trigger airbrush is preferred.

**Code: N 5000**

Ø 0.50

**R3 898,80**

- Feed: Side Gravity
- Ø Fluid nozzle: 0.50 mm
- Interchangeable Cups: 7 ml - 15 ml - 30 ml Iwata Big Mouth Bottles
- Type: Double Action

\*SMP = Suggested Market Price • All prices exclude local VAT





Kustom painting takes pole position with the Iwata Kustom airbrush series that sports large cups and shines in atomizing solvent-based paints. PTFE packing, large cups, pre-set handles and taller triggers distinguish these airbrushes as Kustom.



- MAC valve (Micron air pressure control)
- Spray gun trigger design
- Air cap for round and flat pattern
- Needle packing in pftf



- Taller trigger for extreme control of trigger action and paint flow
- Pre-set handle
- MAC valve for precise air pressure control
- Pistol-grip filter included



- Pre-set handle
- Pistol-grip filter included
- Trigger spray gun design



- Taller trigger for extreme control of trigger action and paint flow
- Pre-set handle
- MAC valve for precise air pressure control
- Pistol-grip filter included



- Taller trigger for extreme control of trigger action and paint flow
- Pre-set handle
- Pistol-Grip filter included



**Pistol-Grip filter**

## Kustom TH HP-TH

SMP\*

**Trigger Type - Fan and Round Pattern Atomization**

**Code: K 9200** Ø 0.50 **R9 462,00**

- Feed: Gravity
- Ø Fluid nozzle: 0.50 mm
- Cup capacity: 14 ml
- Type: Double Action

## Kustom MICRON HP-CM

SMP\*

**Code: K 9000** Ø 0.23 **R12 585,60**

- Feed: Gravity
- Ø Fluid nozzle: 0.23 mm
- Needle packing: PTFE
- Cup capacity: 14 ml
- Type: Double Action

## Kustom REVOLUTION HP-TR

SMP\*

Triggering the passion of spray-gun users, the Kustom Revolution TR airbrush proves easy to use. The long trigger provides commanding control of the airbrush spray.

**Code: K 9400** Ø 0.30 **R7 820,40**

- Feed: Gravity
- Ø Fluid nozzle: 0.30 mm
- Needle packing: PTFE
- Cup capacity: 21 ml
- Type: Double Action

## Kustom HI-LINE HP-CH

SMP\*

A preferred airbrush for users who need ultimate control of fine-line work and medium background spraying, the Kustom Hi-Line CH boasts a MAC valve that supplies precise air control to the head of the airbrush for ultimate control.

**Code: K 9100** Ø 0.30 **R7 341,60**

- Feed: Gravity
- Ø Fluid nozzle: 0.30 mm
- Needle packing: PTFE
- Cup capacity: 14 ml
- Type: Double Action

## Kustom ECLIPSE HP-CS

SMP\*

The workhorse of the Kustom line, the Kustom Eclipse CS features a large general-purpose nozzle/needle combination. Still maintaining fine-line control, the Kustom Eclipse CS creates wide background sprays with fine atomization and control. Designed for spray metallic, pearlescent and base coat paints.

**Code: K 9300** Ø 0.35 **R4 970,40**

- Feed: Gravity
- Ø Fluid nozzle: 0.35 mm
- Needle packing: PTFE
- Cup capacity: 14 ml
- Type: Double Action

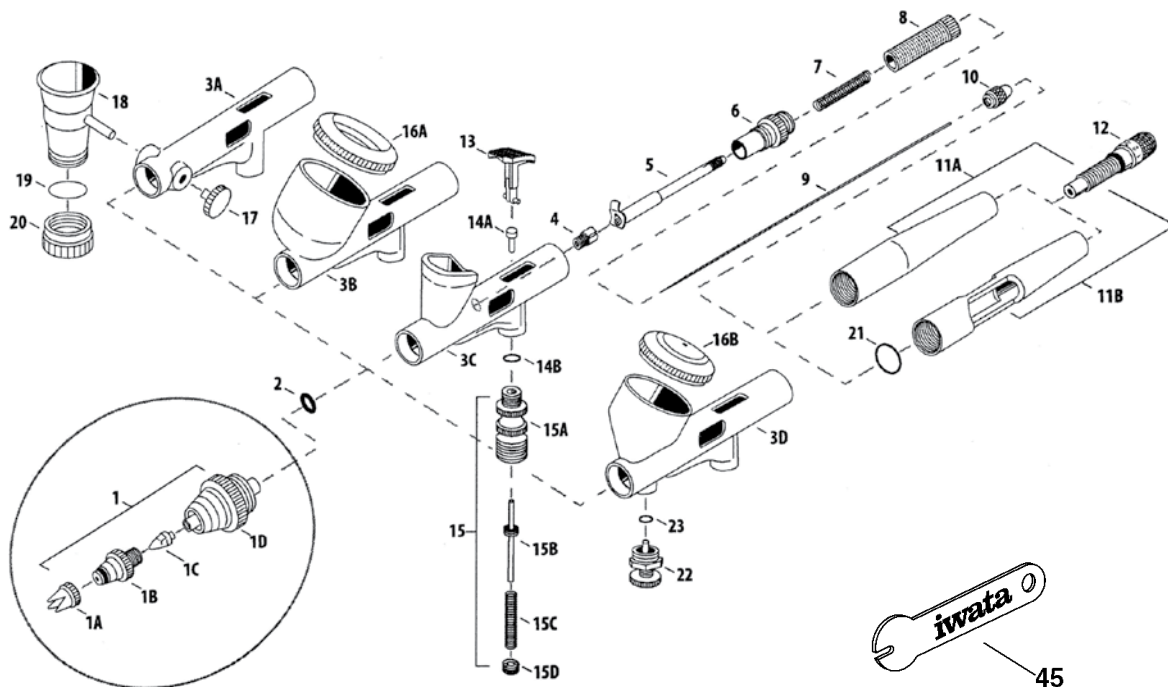
\*SMP = Suggested Market Price • All prices exclude local VAT





## Custom Micron

*Absolute Precision for the Elite Professional*

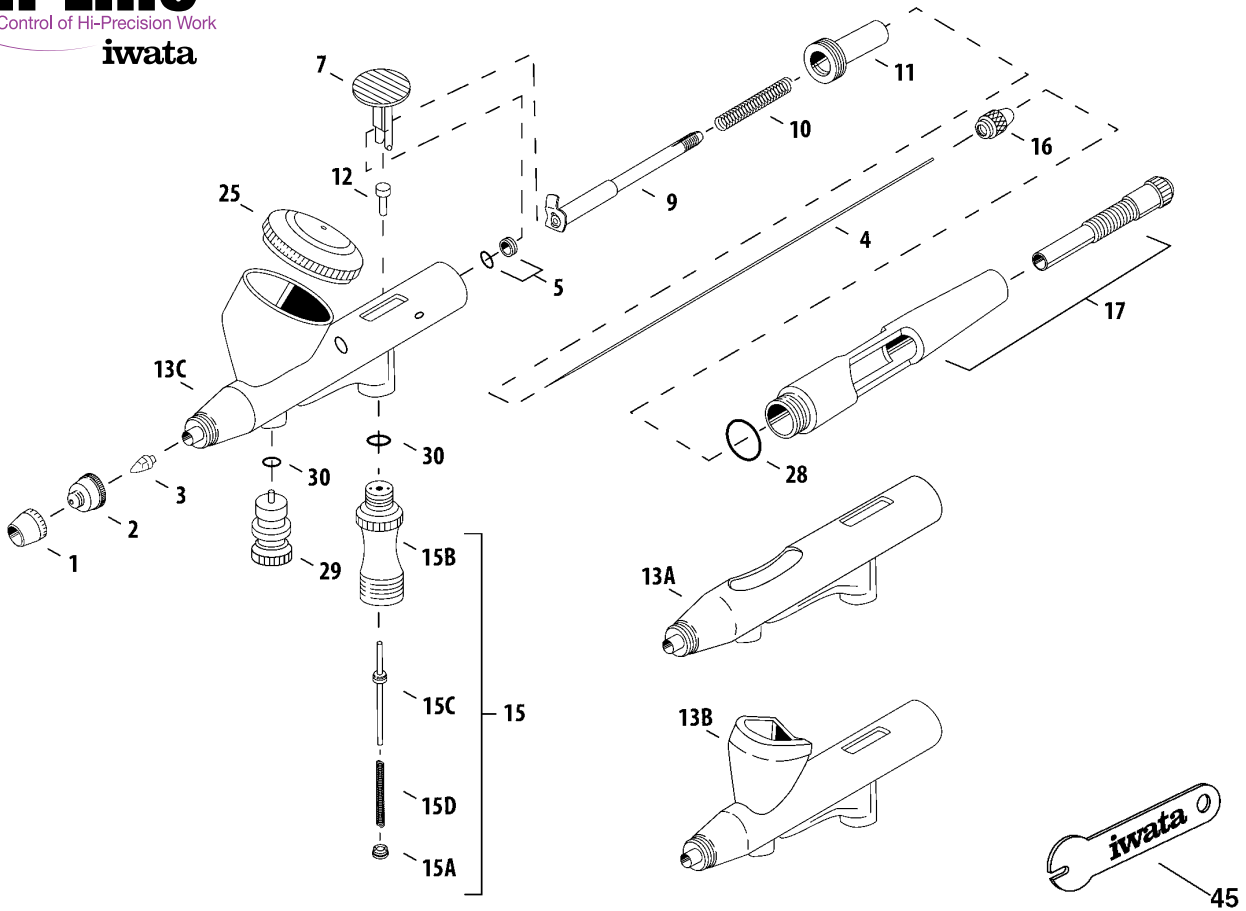


### Custom Micron CM-C2 Plus / CM-C2 / CM-B2 / CM-SB2

CODE	DESCRIPTION	MODEL	REF.	SMP*
I 535 1	Fluid Head System 0.18 mm	HP-CM B/SB	1	4 443,72
I 535 2	Fluid Head System 0.23 mm	HP-CM C/CP	1	4 443,72
I 535 1D	Needle Crown Cap	HP-CM B/C/SB/CP	1A	542,64
I 535 1C	Nozzle Cap	HP-CM B/SB	1B	1 057,92
I 535 2C	Nozzle Cap 0.23 mm	HP-CM C/CP	1B	1 057,92
I 535 1B	Fluid Nozzle 0.18 mm	HP-CM B/SB	1C	1 600,56
I 535 2B	Nozzle Set 0.23 mm	HP-CM C/CP	1C	1 600,56
I 535 1A	Head Cap	HP-CM B/C/SB/CP	1D	2 868,24
I 580 2	O Ring	HP-CM B/C/SB/CP	2	353,40
-	Gun Body	All Models	3 A-B-C-D	N.A.
I 590 2	Needle Packing Set (PTFE)	HP-CM CP	4	542,64
I 115 7	Needle Chucking Guide w/aux. lever	HP-CM B/SB	5	353,40
I 115 1	Needle Chucking Guide w/aux. lever	HP-CM C/CP	5	353,40
I 590 3	Spring Guide	HP-CM B/C/SB/CP	6	542,64
I 570 1	Needle Spring	HP-CM B/C/SB/CP	7	259,92
I 575 1	Needle Spring Adj.	CM B/C/SB/CP	8	823,08
I 540 4	Fluid Needle 0.18 mm	HP-CM B/SB	9	681,72
I 540 2	Fluid Needle 0.23 mm	HP-CM C	9	681,72
I 540 3	Fluid Needle 0.23 mm	HP-CM CP	9	681,72
I 540 5	Fluid Needle 0.18 mm	HP-CM CP (Opt.)	9	681,72
I 560 1	Needle Chucking Nut	HP-CM B/C/SB/CP	10	259,92
I 585 4	Preset Cap Handle Set	HP-CM CP	11B	1 057,92
I 585 5	Preset Cap Handle Set (Single)	HP-CM B/C/SB	11A	1 057,92
I 586 1	Preset Cap w/Crown Cap Dock	HP-CM B/C/SB/CP	12	1 600,56

CODE	DESCRIPTION	MODEL	REF.	SMP*
I 545 4	Main Lever	HP-CM B/C/SB/CP	13	918,84
I 500 1	Air Piston	HP-CM B/C/SB/CP	14A	259,92
I 580 1	O Ring (2 Pcs.)	HP-CM B/C/SB/CP	14B	259,92
I 510 1	Air Valve Set	HP-CM B/C/SB/CP	15	1 552,68
I 510 2	Air Valve Body	HP-CM B/C/SB/CP	15A	282,72
I 505 1	Air Valve	HP-CM B/C/SB/CP	15B	282,72
I 510 4	Air Valve Spring	HP-CM B/C/SB/CP	15C	259,92
I 510 3	Air Valve Guide	HP-CM B/C/SB/CP	15D	282,72
I 530 1	Lid Cup 20Cc	HP-CM C	16A	681,72
I 618 1	Lid Cup	HP-CM CP	16B	353,40
I 045 2	Blanking Cover	HP-CM SB	17	166,44
I 070 3	Side Cup 1/8 Oz.	HP-CM SB	18	1 057,92
I 070 4	Side Cup w/Lid 1/4 Oz.	HP-CM SB	18	1 057,92
I 150 5	Lower Lid Packing	HP-CM SB	19	166,44
I 095 6	Lower Lid 1/8 Oz.	HP-CM SB	20	282,72
I 095 7	Lower Lid 1/4 Oz.	HP-CM SB	20	259,92
I 605 1	Handle Packing (O Ring)	HP-CM CP	21	166,44
I 190 1	Air Control Valve	HP-CM CP	22	542,64
I 190 2	O Ring	HP-CM CP	23	166,44
I 165 1	Spanner	HP-CM B/C/SB/CP	45	166,44
I 160 3	Quick Fit Set (Qd & Adaptor)	HP-CM B/C/SB/CP	opt.	471,96
I 160 4	QUICK FIT ADAPTOR	HP-CM B/C/SB/CP	opt.	212,04
J 001	Adaptor (Iwata Airbrushes To Paasche Air Hose)	HP-CM B/C/SB/CP	opt.	282,72
J 002	Adaptor Iwata Airbrushes To T&C /Badger Air Hoses)	HP-CM B/C/SB/CP	opt.	282,72

\*SMP = Suggested Market Price • All prices exclude local VAT



## HI-Line HP-AH / HP-BH / HP-CH

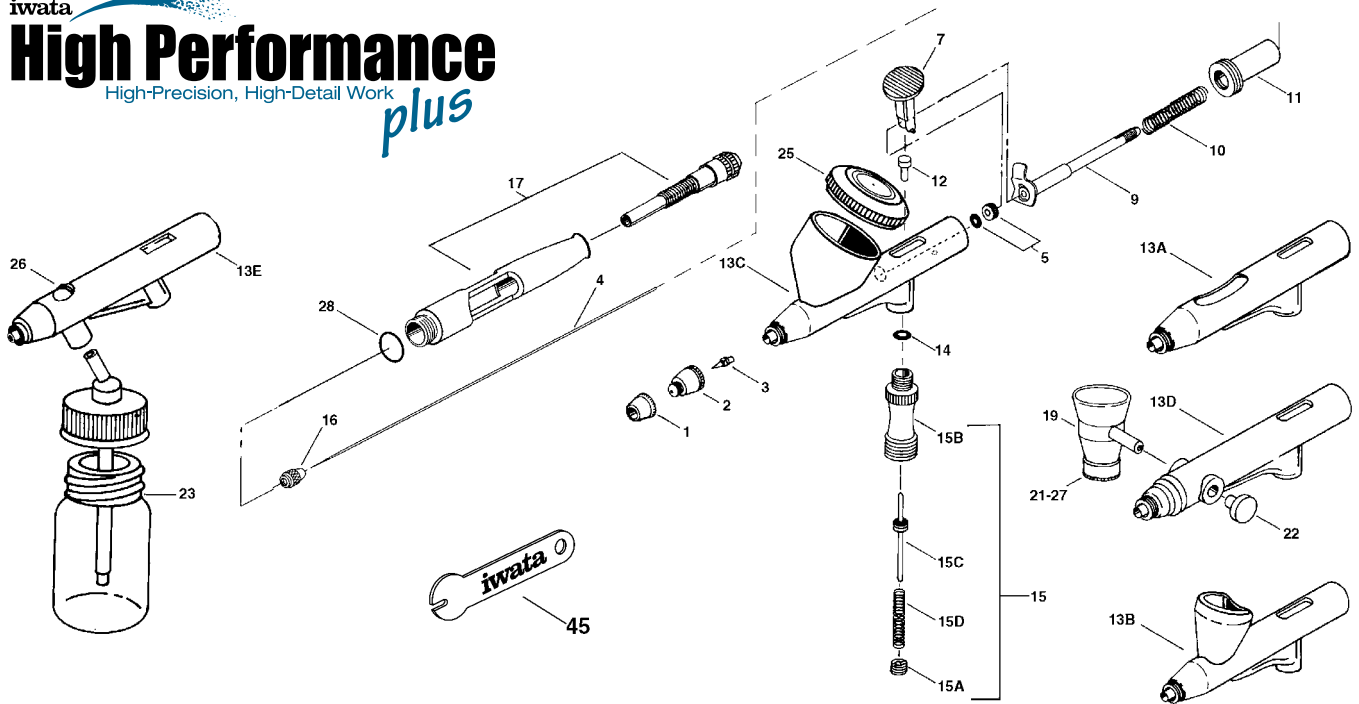
CODE	DESCRIPTION	MODEL	REF.	SMP*
I 110 1	Needle Cap	HP-AH/HP-BH	1	259,92
I 110 2	Needle Cap	HP-CH	1	259,92
I 140 7	Nozzle Cap	HP-AH/HP-BH	2	542,64
I 140 3	Nozzle Cap 0.30 mm	HP-CH	2	542,64
I 080 7	Nozzle Set 0.20 mm	HP-AH/HP-BH	3	1 057,92
I 080 8	Nozzle Set 0.30 mm	HP-CH	3	1 057,92
I 075 1	Fluid Needle 0.20 mm	HP-AH/HP-BH	4	353,40
I 075 3	Fluid Needle 0.30 mm	HP-CH	4	353,40
I 725 1	Needle Packing Set (PTFE)	HP-AH/HP-BH	5	259,92
I 125 7	Needle Packing Set (PTFE)	HP-CH	5	259,92
I 100 2	Main Lever	HP-AH/HP-BH/HP-CH	7	542,64
I 115 7	Needle Chucking Guide W/Auxiliary Lever	HP-AH/HP-BH	9	353,40
I 715 1	Needle Chucking Guide W/ Auxiliary Lever	HP-CH	9	353,40
I 135 2	Needle Spring	HP-AH/HP-BH	10	166,44
I 135 1	Needle Spring	HP-CH	10	166,44
I 770 1	Spring Guide	HP-AH/HP-BH/HP-CH	11	259,92
I 175 1	Piston	HP-AH/HP-BH/HP-CH	12	166,44
-	Gun Body	All Models	13 A-B-C	N.A.
I 145 1	Air Valve Packing	HP-AH/HP-BH/HP-CH	14	166,44

CODE	DESCRIPTION	MODEL	REF.	SMP*
I 030 1	Air Valve Set	HP-AH/HP-BH	15	1 057,92
I 030 4	Air Valve Set	HP-CH	15	1 057,92
I 025 1	Air Valve Guide	HP-AH/HP-BH/HP-CH	15A	166,44
I 020 1	Air Valve Body	HP-AH/HP-BH/HP-CH	15B	542,64
I 015 1	Air Valve	HP-AH/HP-BH	15C	259,92
I 015 4	Air Valve	HP-CH	15C	259,92
I 035 1	Air Valve Spring	HP-AH/HP-BH/HP-CH	15D	166,44
I 120 1	Needle Chucking Nut	HP-AH/HP-BH/HP-CH	16	166,44
I 155 6	Preset Cap Handle Set	HP-AH/HP-BH/HP-CH	17	1 057,92
I 618 1	Lid Cup	HP-CH	25	353,40
I 605 1	O Ring (2 Pcs.)	HP-AH/HP-BH/HP-CH	28	166,44
I 190 1	Air Control Valve	HP-AH/HP-BH/HP-CH	29	542,64
I 190 2	O Ring	HP-AH/HP-BH/HP-CH	30	166,44
I 165 1	Spanner	HP-AH/HP-BH/HP-CH	45	166,44
I 160 3	Quick Fit Set (Qd & Adaptor)	HP-AH/HP-BH/HP-CH	opt.	471,96
I 160 4	Quick Fit Adaptor	HP-AH/HP-BH/HP-CH	opt.	212,04
J 001	Adaptor (Iwata Airbrushes To Paasche Air Hose)	HP-AH/HP-BH/HP-CH	opt.	282,72
J 002	Adaptor (Iwata Airbrushes To T&C/Badger Air Hoses)	HP-AH/HP-BH/HP-CH	opt.	282,72

\*SMP = Suggested Market Price • All prices exclude local VAT



iwata  
**High Performance**  
High-Precision, High-Detail Work  
*plus*



## HI Performance Plus HP-AP /HP-BP / HP-BCP / HP-SBP

CODE	DESCRIPTION	MODEL	REF.	SMP*
I 110 1	Needle Cap	HP-AP/BP/SBP	1	259,92
I 110 2	Needle Cap	HP-CP/BCP	1	259,92
I 140 1	Nozzle Cap 0.2 mm	HP-AP/BP/SBP	2	542,64
I 140 3	Nozzle Cap 0.30 mm	HP-CP/BCP	2	542,64
I 080 7	Fluid Nozzle Set 0.2 mm	HP-AP/BP/SBP	3	1 057,92
I 080 8	Nozzle Set 0.30 mm	HP-CP/BCP	3	1 057,92
I 075 1	Fluid Needle 0.2 mm	HP-AP/BP/SBP	4	353,40
I 075 3	Fluid Needle 0.30 mm	HP-CP/BCP	4	353,40
I 125 7	Needle Packing Set (PTFE)	HP-CP/BCP	5	259,92
I 725 1	Needle Packing Set (PTFE)	HP-AP/BP/SBP	5	259,92
I 100 1	Main Lever	HP-AP/BP/SBP	7	542,64
I 100 2	Main Lever	HP-CP	7	542,64
I 100 3	Main Lever Piston	HP-BCP	7	1 057,92
I 115 7	Needle Chucking Guide W/ Auxiliary Lever	HP-AP/BP/SBP	9	353,40
I 715 1	Needle Chucking Guide W/ Auxiliary Lever	HP-CP/BCP	9	353,40
I 135 2	Needle Spring	HP-AP/BP/SBP	10	166,44
I 135 3	Needle Spring	HP-CP/BCP	10	166,44
I 170 6	Spring Guide	HP-AP/BP/SBP	11	353,40
I 770 1	Spring Guide	HP-CP/BCP	11	259,92
I 175 1	Piston	HP-AP/BP/CP/SBP	12	166,44
-	Gun Body	All Models	13 A-B-C D - E	N.A.
I 145 1	Air Valve Packing	HP-AP/BP/CP/SBP/BCP	14	166,44
I 030 1	Air Valve Set	HP-AP/BP/SBP	15	1 057,92
I 030 4	Air Valve Set	HP-CP/BCP	15	1 057,92
I 025 1	Air Valve Guide	HP-AP/BP/CP/SBP/BCP	15A	166,44
I 020 1	Air Valve Body	HP-AP/BP/CP/SBP/BCP	15B	542,64

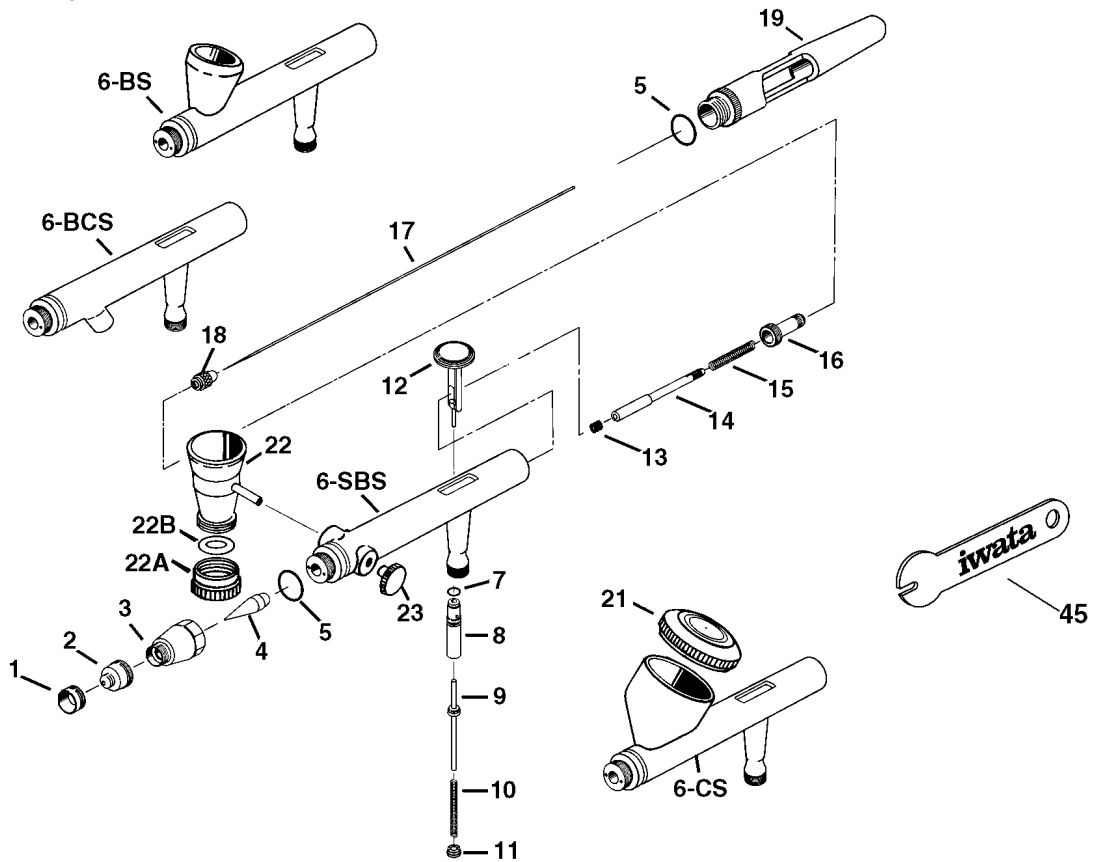
CODE	DESCRIPTION	MODEL	REF.	SMP*
I 015 1	Air Valve	HP-AP/BP/CP/SBP/BCP	15C	259,92
I 015 4	Air Valve	HP CP/HP BCP	15C	259,92
I 035 1	Air Valve Spring	HP-AP/BP/CP/SBP/BCP	15D	166,44
I 120 1	Needle Chucking Nut	HP-AP/BP/CP/SBP/BCP	16	166,44
I 155 5	Preset Cap Handle Set	HP-AP/BP/SBP	17	1 057,92
I 155 6	Preset Cap Handle Set	HP-CP/BCP	17	1 057,92
I 070 3	Side Cup 1/8 Oz.	HP-SBP	19	1 057,92
I 070 4	Side Cup W/Lid 1/4 Oz.	HP-SBP	19	1 057,92
I 070 6	Gravity Cup 1/2 Oz.	HP-SBP	19	1 057,92
I 095 6	Lower Lid	HP-SBP	21	282,72
I 045 2	Blanking Cover	HP-SBP	22	166,44
I 405 2	Glass Bottle Set W/Lid 3/4 Oz.	HP-BCP	23	1 057,92
I 618 1	Lid Cup	HP-CP	25	353,40
I 095 7	Lid	HP-SBP	25	259,92
I 045 1	Blanking Screw	HP-BCP	26	259,92
I 605 1	O Ring (2 Pcs.)	HP-AP/BP/CP/SBP/BCP	28	166,44
I 165 1	Spanner	HP-AP/BP/CP/SBP/BCP	45	166,44
I 195 1	Conversion Kit (Nozzle 0.3Mm To 0.4 mm)	HP-CP/BCP		2 163,72
I 105 0	Crown Cap	HP-AP/BP/CP/SBP/BCP		542,64
I 160 3	Quick Fit Set (Qd & Adaptor)	HP-AP/BP/CP/SBP/BCP		471,96
I 160 4	Quick Fit Adaptor	HP-AP/BP/CP/SBP/BCP		212,04
J 001	Adaptor (Iwata Airbrushes To Paasche Air Hose)	HP-AP/BP/CP/SBP/BCP		282,72
J 002	Adaptor (Iwata Airbrushes To T&C/Badger Air Hoses)	HP-AP/BP/CP/SBP/BCP		282,72
I 450 1S	Side-Feed Bottle 1 oz. - Clear	HP-SBP		237,12
I 450 2S	Side-Feed Bottle 2 oz. - Clear	HP-SBP		237,12
I 470 1S	Side-Feed Bottle 1 oz. - Hs	HP-SBP		237,12
I 470 2S	Side-Feed Bottle 2 oz. - Hs	HP-SBP		237,12

\*SMP = Suggested Market Price • All prices exclude local VAT



## iwata Eclipse

Ultimate Versatility, Reliability and Performance



### Eclipse HP-BS / HP-CS / HP-SBS / HP-BCS

CODE	DESCRIPTION	MODEL	REF.	SMP*
I 601 1	Needle Cap	HP-BS/CS/BCS/SBS	1	166,44
I 105 0	Crown Cap (Opt)	HP-BS/CS/BCS/SBS	1	542,64
I 602 1	Nozzle Cap 0.50 mm	HP-BCS	2	259,92
I 602 2	Nozzle Cap 0.35 mm	HP-BS/CS/SBS	2	353,40
I 603 1	Head Cap	HP-BS/CS/BCS/SBS	3	353,40
I 604 1	Nozzle Set 0.50 mm	HP-BCS	4	353,40
I 604 2	Nozzle Set 0.35 mm	HP-BS/CS/SBS	4	681,72
I 605 1	O Ring (2 Pcs.)	HP-BS/CS/BCS/SBS	5	166,44
-	Gun Body	All Models	6	N.A.
I 580 1	O Ring (2 Pcs.)	HP-BS/CS/BCS/SBS	7	259,92
I 608 1	Air Valve Guide	HP-BS/CS/BCS/SBS	8	259,92
I 609 1	Air Valve	HP-BS/CS/BCS/SBS	9	166,44
I 510 4	Air Valve Spring	HP-BS/CS/SBS	10	259,92
I 611 1	Air Valve Guide Screw	HP-BS/CS/BCS/SBS	11	166,44
I 612 1	Main Lever	HP-BS/CS/BCS/SBS	12	353,40
I 125 7	Needle Packing Set (PTFE)	HP-BS/CS/BCS/SBS	13	259,92
I 715 1	Needle Chucking Guide With Auxiliary Lever	HP-BS/CS/BCS/SBS	14	353,40

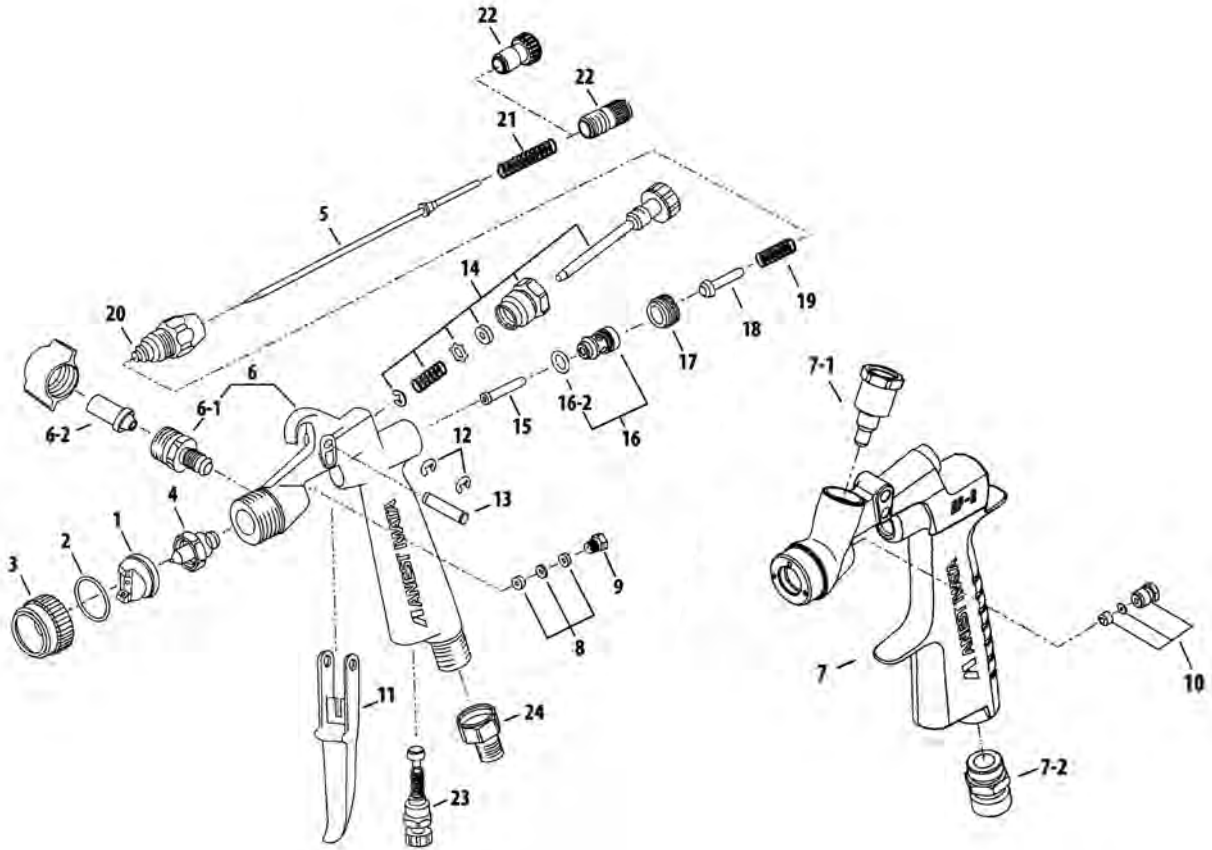
CODE	DESCRIPTION	MODEL	REF.	SMP*
I 135 1	Needle Spring	HP-BS/CS/SBS	15	166,44
I 135 2	Needle Spring	HP-BCS	15	166,44
I 170 2	Spring Guide	HP-BS/CS/BCS/SBS	16	353,40
I 617 1	Needle Set 0.5 mm	HP-BCS	17	259,92
I 617 2	Needle Set 0.35 mm	HP-BS/CS/SBS	17	259,92
I 120 1	Needle Chucking Nut	HP-BS/CS/BCS/SBS	18	166,44
I 619 1	Single Cut Handle	HP-BS/CS/BCS/SBS	19	681,72
I 155 2	Pre-Set Handle (Opt)	HP-BS/CS/BCS/SBS	19	1 057,92
I 618 1	Lid Cup	HP-CS	21	353,40
I 070 3	Side Cup 1/8 Oz.	HP-SBS	22	1 057,92
I 070 4	Side Cup W/Lid 1/4 Oz.	HP-CS	22	1 057,92
I 095 6	Lower Lid	HP-SBS	22 A	282,72
I 150 5	Lower Lid Packing	HP-SBS	22 B	166,44
I 045 2	Blanking Cover	HP-SBS	23	166,44
I 160 3	Quick Fit Set	HP-BS/CS/BCS/SBS		471,96
I 160 4	Quick Fit Adaptor	HP-BS/CS/BCS/SBS		212,04
I 470 1P	Translucent Plastic Bottle 1 oz.	HP-BCS		189,24
I 165 1	Spanner	HP-BS/CS/BCS/SBS	45	166,44
I 630 1	Eclipse Spanner	ALL MODELS		166,44

\*SMP = Suggested Market Price • All prices exclude local VAT



## iwata Eclipse

Ultimate Versatility, Reliability and Performance



### Eclipse HP-G3 / HP-G5

CODE	DESCRIPTION	MODEL	REF.	SMP*
I 600 4	Air Cap 0.3 mm	HP-G3	1	2 868,24
I 600 5	Air Cap 0.5 mm	HP-G5	1	2 868,24
I 600 2	Air Cap Packing	HP-G3/G5	2	166,44
I 600 3	Air Cap Cover Ring	HP-G3/G5	3	353,40
I 604 5	Nozzle Set 0.3 mm	HP-G3	4	2 163,72
I 604 6	Nozzle Set 0.5 mm	HP-G5	4	2 163,72
I 617 5	Needle Set	HP-G3/G5	5	918,84
-	Gun Body	HP-G3/G5	7	N.A.
I 650 1	Fluid Nipple	HP-G3/G5	23	540,36
I 680 1	Air Nipple	HP-G3/G5	7-2	259,92
I 640 1	Needle Packing Set	HP-G3/G5	10	542,64
I 233 1	Trigger	HP-G3/G5	11	399,00
I 332 1	E Stopper (2 Pcs./Pk)	HP-G3/G5	12	186,96
I 234 1	Trigger Stud	HP-G3/G5	13	186,96
I 625 2	Pattern Adj. Set	HP-G3/G5	14	1 598,28
I 202 3	Air Valve Shaft	HP-G3/G5	15	399,00
I 205 2	Air Valve Seat Set	HP-G3/G5	16	987,24
I 660 1	O Ring	HP-G3/G5	16-2	164,16
I 205 3	Air Valve Seat Screw	HP-G3/G5	17	186,96

CODE	DESCRIPTION	MODEL	REF.	SMP*
I 202 2	Air Valve	HP-G3/G5	18	399,00
I 206 2	Air Valve Spring	HP-G3/G5	19	186,96
I 208 2	Fluid Adj. Guide Set	HP-G3/G5	20	987,24
I 225 2	Needle Spring	HP-G3/G5	21	282,72
I 670 1	Fluid Adj. Knob	HP-G3/G5	22	353,40
I 626 2	Air Adjustment	HP-G3/G5	23	916,56
14018180D	PC 51 D Cup (220 ml)	HP-G3/G5		866,40
14018190D	PC 61 D Cup (130 ml)	HP-G3/G5		775,20

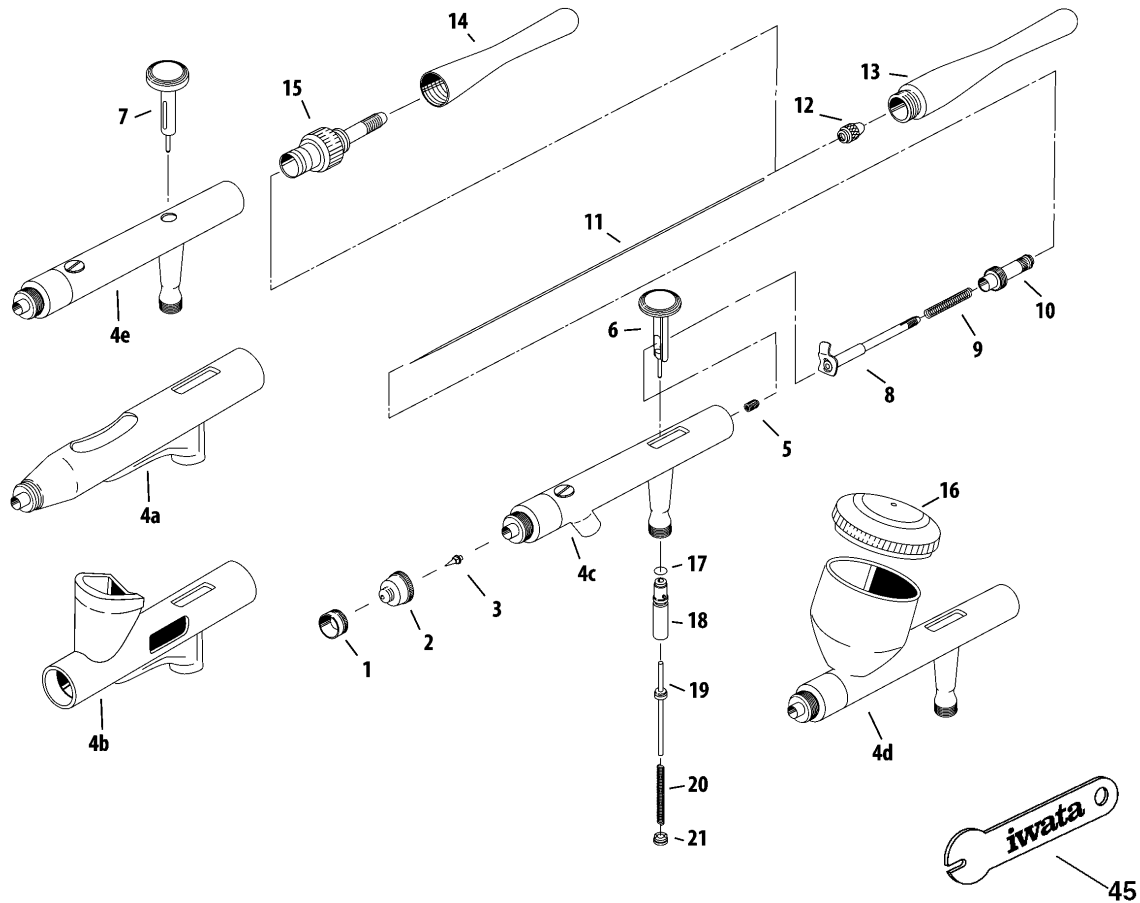
\*SMP = Suggested Market Price • All prices exclude local VAT





## iwata Revolution

Quality, Performance and Value



### Revolution HP-AR / HP-BR / HP-CR / HP-SAR / HP-BCR

CODE	DESCRIPTION	MODEL	REF.	SMP*
I 701 1	Needle Cap 0.5 mm	HP-CR/BCR/SAR	1	166,44
I 701 2	Needle Cap 0.3 mm	HP-AR/BR	1	166,44
I 702 1	Nozzle Cap 0.5 mm	HP-CR/BCR/SAR	2	353,40
I 702 2	Nozzle Cap 0.30 mm	HP-AR/BR	2	353,40
I 704 1	Nozzle Set 0.5mm	HP-CR/BCR/SAR	3	681,72
I 704 2	Nozzle Set 0.30 mm	HP-AR/BR	3	681,72
-	Gun Body	All Models	4 A-B-C D-E	N.A.
I 125 7	Needle Packing Set (Ptfе)	HP-CR/BCR/SAR	5	259,92
I 725 1	Needle Packing Set (Ptfе)	HP-AR/BR	5	259,92
I 612 1	Main Lever	HP-AR/BR/CR/BCR	6	353,40
I 612 2	Main Lever	HP-SAR	7	259,92
I 115 7	Needle Chucking Guide W/ Auxiliary Lever	HP-AR/BR/SAR	8	353,40
I 115 1	Needle Chucking Guide W/ Auxiliary Lever	HP-CR/BCR	8	353,40
I 135 1	Needle Spring	HP-AR/BR/CR/BCR	9	166,44
I 770 1	Spring Guide	HP-AR/BR/CR/BCR	10	259,92

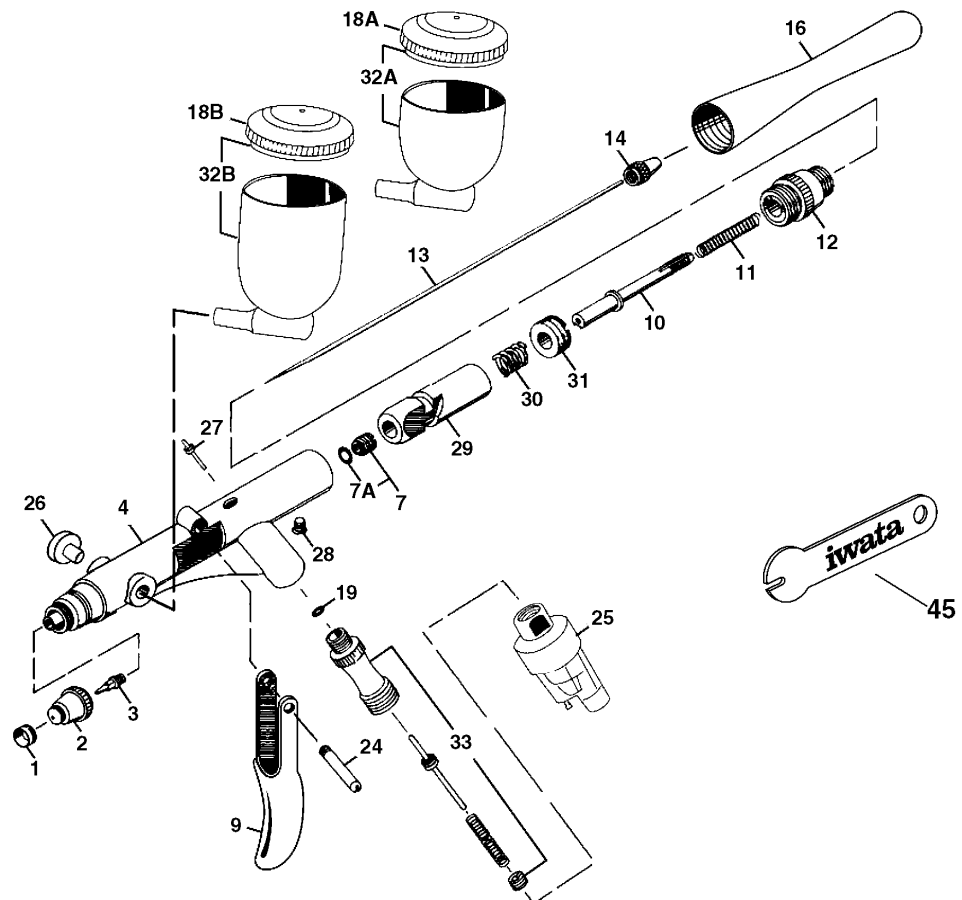
CODE	DESCRIPTION	MODEL	REF.	SMP*
I 617 1	Needle 0.5 mm	HP-CR/BCR/SAR	11	259,92
I 717 3	Needle 0.3 mm	HP-AR/BR	11	259,92
I 120 1	Needle Chucking Nut	HP-AR/BR/CR/BCR/SAR	12	166,44
I 719 1	Ergonomic Handle	HP-AR/BR/CR/BCR	13	542,64
I 719 2	Ergonomic Handle	HP-SAR	14	542,64
I 155 2	Preset Handle	HP-AR/BR/CR/BCR	13	1 057,92
I 155 6	Preset Cut-Away Handle	HP-AR/BR/CR/BCR	13	1 057,92
I 722 1	Fluid Adj. Knob	HP-SAR	15	542,64
I 718 1	Lid Cup	HP-CR	16	353,40
I 580 1	O Ring	HP-AR/BR/CR/BCR/SAR	17	259,92
I 608 1	Air Valve Guide	HP-AR/BR/CR/BCR/SAR	18	259,92
I 609 1	Air Valve	HP-AR/BR/CR/BCR/SAR	19	166,44
I 035 1	Air Valve Spring	HP-AR/BR/CR/BCR/SAR	20	166,44
I 611 1	Air Valve Guide Screw	HP-AR/BR/CR/BCR/SAR	21	166,44
I 765 1	Spanner	HP-AR/BR/CR/BCR/SAR	45	166,44
I 470 1P	Translucent Plastic Bottle 1Oz.	HP BCR		189,24

\*SMP = Suggested Market Price • All prices exclude local VAT



## iwata Revolution

Quality, Performance and Value



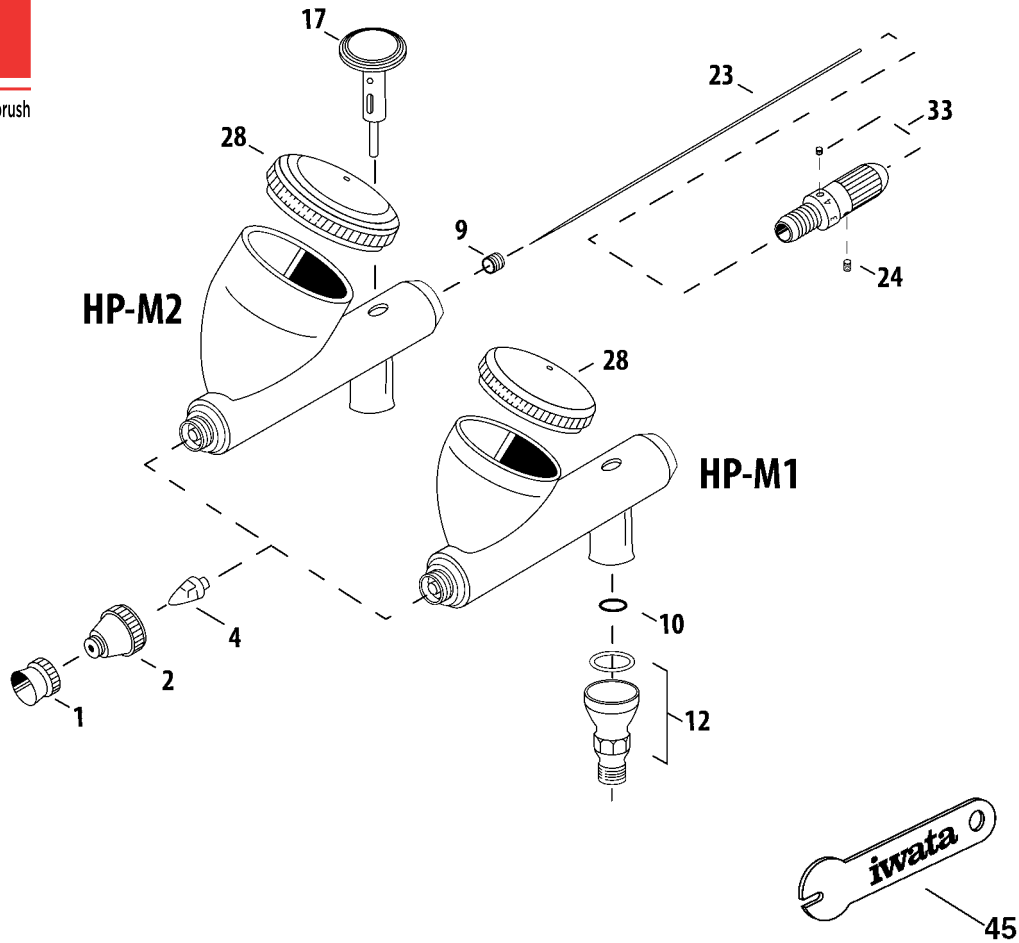
### Revolution HP-TR0 / HP-TR1 / HP-TR2

CODE	DESCRIPTION	MODEL	REF.	SMP*
I 701 2	Needle Cap 0.3 mm	HP-TR1	1	166,44
I 701 1	Needle Cap 0.5 mm	HP-TR2	1	166,44
I 702 2	Nozzle Cap 0.30 mm	HP-TR1	2	353,40
I 702 1	Nozzle Cap 0.5 mm	HP-TR2	2	353,40
I 704 2	Nozzle Set 0.30 mm	HP-TR1	3	681,72
I 704 1	Nozzle Set 0.5 mm	HP-TR2	3	681,72
-	Gun Body	All Models	4	N.A.
I 725 2	Needle Packing Screw	HP-TR1/HP-TR2	7	353,40
I 150 2	Needle Packing O Ring	HP-TR1/HP-TR2	7A	166,44
I 145 1	Air Valve Packing	HP-TR1/HP-TR2	19	166,44
I 712 1	Air Valve Set	HP-TR1/HP-TR2	33	1 057,92
I 713 1	Valve Rod	HP-TR1/HP-TR2	27	353,40
I 714 1	Trigger	HP-TR1/HP-TR2	9	2 163,72
I 715 2	Needle Chucking Guide	HP-TR1/HP-TR2	10	918,84
I 770 3	Spring	HP-TR1/HP-TR2	11	166,44
I 770 2	Spring Guide	HP-TR1/HP-TR2	12	681,72

CODE	DESCRIPTION	MODEL	REF.	SMP*
I 717 4	Needle Set 0.30 mm	HP-TR1	13	353,40
I 717 5	Needle Set 0.5 mm	HP-TR2	13	353,40
I 120 2	Needle Chucking Nut	HP-TR1/HP-TR2	14	166,44
I 719 2	Ergonomic Handle	HP-TR1/HP-TR2	16	542,64
I 718 1	Lid Cup	HP-TR1	18a	353,40
I 718 2	Lid	HP-TR2	18b	918,84
I 720 1	Gravity Side Cup 1/3 Oz.	HP-TR1	32a	1 057,92
I 070 6	Gravity Side Cup 1/2 Oz.	HP-TR2	32b	1 057,92
I 045 2	Blanking Cover	HP-TR1/HP-TR2	26	166,44
I 730 1	Slide Cam	HP-TR1/HP-TR2	29	2 163,72
I 730 2	Slide Cam Spring	HP-TR1/HP-TR2	30	259,92
I 731 1	Main Body Ring	HP-TR1/HP-TR2	31	542,64
I 731 2	Screw	HP-TR1/HP-TR2	28	166,44
I 714 2	Trigger Stud	HP-TR1/HP-TR2	24	353,40
F A450	Pistol Grip Filter	HP-TR1/HP-TR2	25	848,16
I 165 1	Spanner	HP-TR1/HP-TR2	45	166,44

\*SMP = Suggested Market Price • All prices exclude local VAT





Mini Line HP-M1 / HP-M2

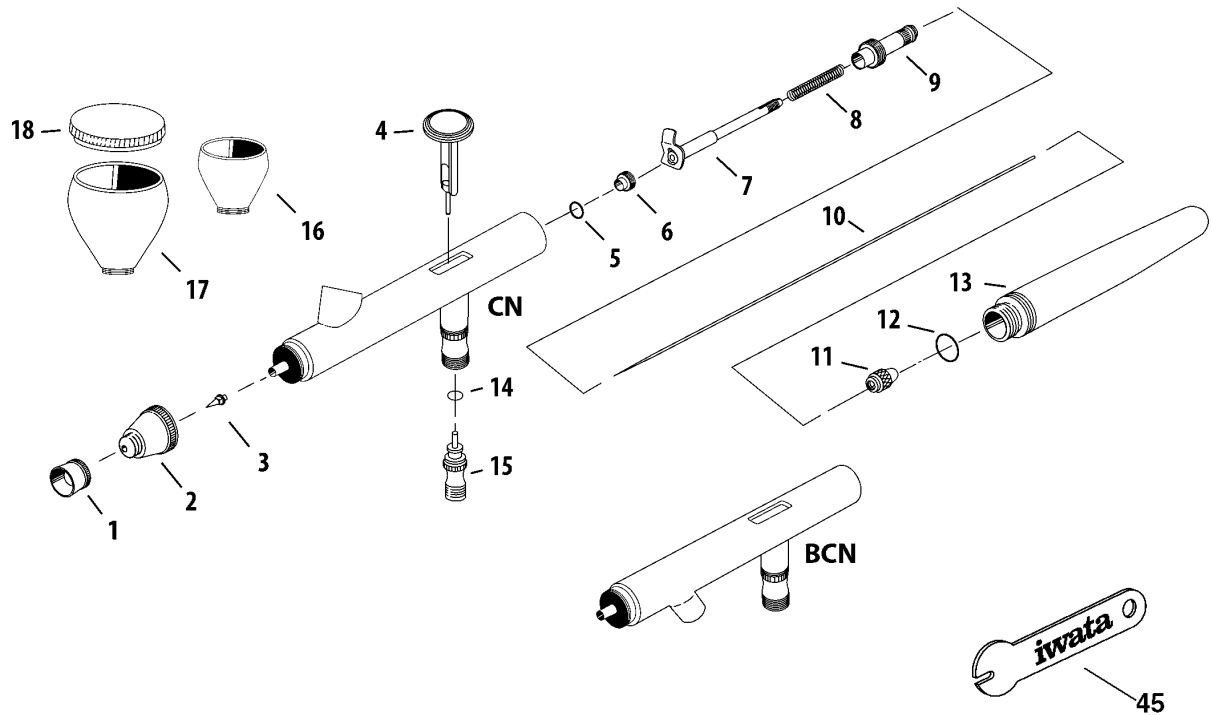
CODE	DESCRIPTION	MODEL	REF.	SMP**
I 701 4	Needle Cap 0.3 mm	HP-M1	1	166,44
I 701 5	Needle Cap 0.4 mm	HP-M2	1	166,44
I 702 4	Nozzle Cap 0.3 mm	HP-M1	2	353,40
I 702 5	Nozzle Cap 0.4 mm	HP-M2	2	353,40
I 704 4	Nozzle Set 0.3 mm	HP-M1	4	681,72
I 704 5	Nozzle Set 0.4 mm	HP-M2	4	681,72
I 725 4	Needle Packing Set (Ptfе)	HP-M1/M2	9	259,92
I 145 1	Piston O Ring	HP-M1/M2	10	166,44
I 712 2	Air Valve Set	HP-M1/M2	12	918,84
I 714 3	Main Lever	HP-M1/M2	17	353,40
I 717 6	Needle Set 0.3 mm	HP-M1	23	681,72
I 717 7	Needle Set 0.4 mm	HP-M2	23	681,72
I 715 3	Needle Chucking Nut	HP-M1/M2	24	166,44
I 718 3	Lid	HP-M1	28	353,40
I 718 4	Lid	HP-M2	28	353,40
I 722 2	Fluid Adj. Valve	HP-M1/M2	33	918,84
I 765 1	Spanner	HP-M1/M2	45	166,44

\*SMP = Suggested Market Price • All prices exclude local VAT



# neo

for iwata

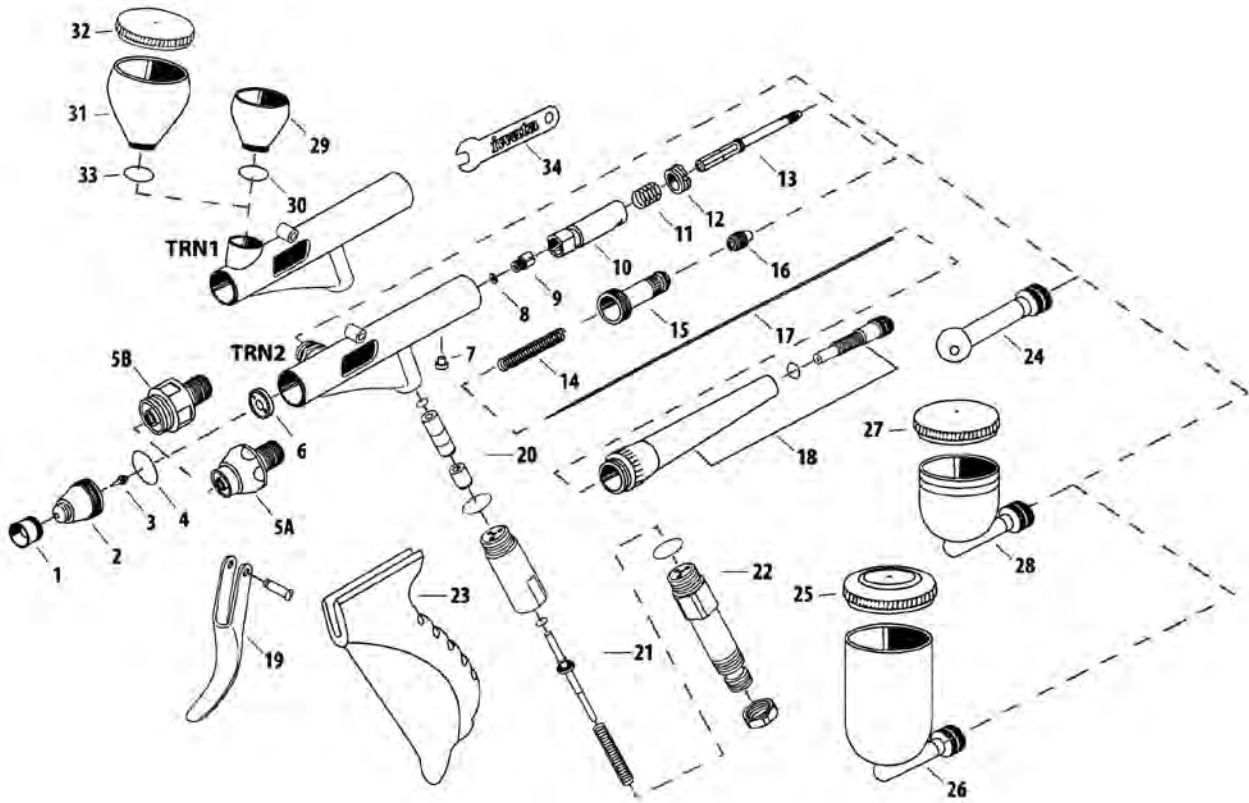


## Neo HP-CN / HP-BCN

CODE	DESCRIPTION	MODEL	REF.	SMP*
N 110 1	Needle Cap	HP-CN/BCN	1	212,04
N 140 1	Nozzle Cap 0.35 mm	HP-CN	2	212,04
N 140 2	Nozzle Cap 0.5 mm	HP-BCN	2	212,04
N 080 1	Nozzle Set 0.35 Mm	HP-CN	3	401,28
N 080 2	Nozzle Set 0.5 Mm	HP-BCN	3	401,28
N 100 1	Main Lever	HP-CN/BCN	4	212,04
N 150 1	O Ring	HP-CN/BCN	5	212,04
N 125 1	Needle Packing Screw	HP-CN/BCN	6	212,04
N 115 1	Needle Chucking Guide	HP-CN/BCN	7	212,04
N 135 1	Needle Spring	HP-CN/BCN	8	212,04
N 170 1	Spring Guide	HP-CN/BCN	9	212,04
N 075 1	Needle Set 0.35 Mm	HP-CN	10	212,04
N 075 2	Needle Set 0.5 Mm	HP-BCN	10	212,04
N 120 1	Needle Chucking Nut	HP-CN/BCN	11	212,04
N 105 1	O Ring	HP-CN/BCN	12	212,04
N 090 1	Handle	HP-CN/BCN	13	446,88
N 150 2	O Ring	HP-CN/BCN	14	212,04
N 020 1	Air Valve Set	HP-CN/BCN	15	212,04
N 070 1	Cup 1/4 Oz.	HP-CN	16	446,88
N 070 4	Cup 1/2 Oz.	HP-CN	17	681,72
N 095 4	Lid Cup	HP-CN	18	212,04
I 470 1	Bottle Set (1 Oz./28 Ml)	HP-BCN	31	189,24
I 165 1	Spanner	HP-CN/BCN	45	166,44

\*SMP = Suggested Market Price • All prices exclude local VAT





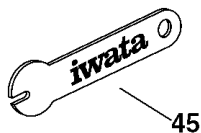
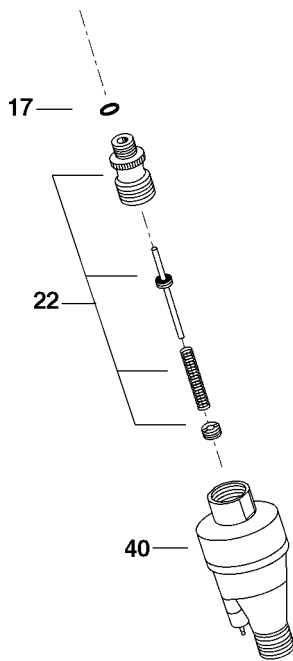
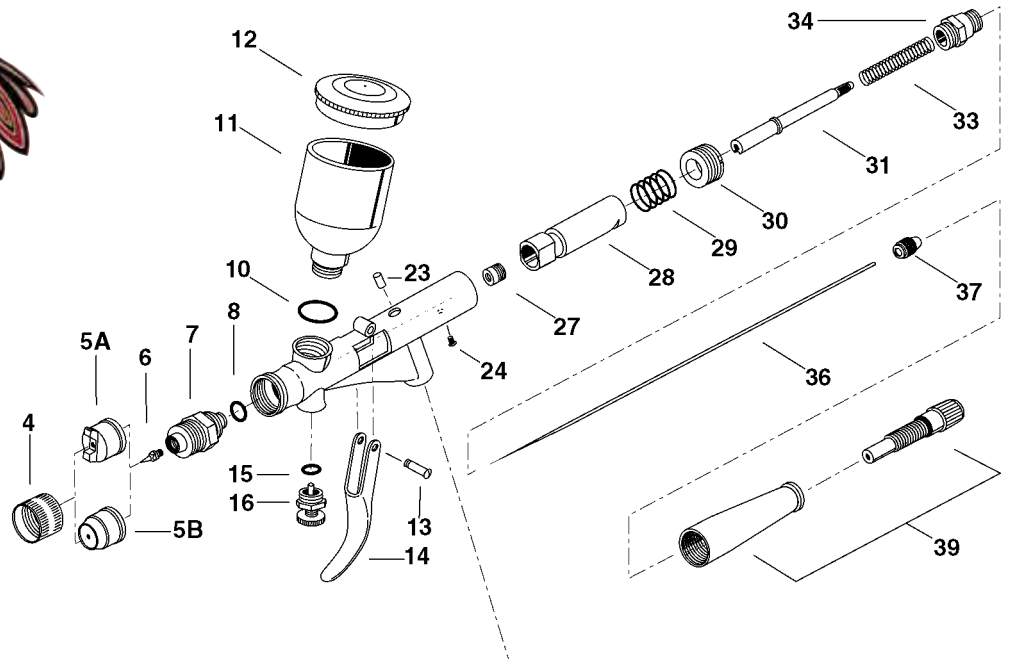
## Neo Trigger HP-TRN1 / HP-TRN2

CODE	DESCRIPTION	MODEL	REF.	SMP*
N 110 2	Needle Cap	HP-TRN1/TRN2	1	212,04
N 140 4	Nozzle Cap 0.50 mm	HP-TRN2	2	212,04
N 140 3	Nozzle Cap 0.35 mm	HP-TRN1	2	212,04
N 080 4	Nozzle 0.50 mm	HP-TRN2	3	401,28
N 080 3	Nozzle 0.35 mm	HP-TRN1	3	401,28
N 150 4	O-Ring Nozzle Cap 0.50 mm	HP-TRN2	4	212,04
N 150 3	O-Ring Nozzle Cap 0.35 mm	HP-TRN1	4	212,04
N 135 3	Head Base	HP-TRN1	5A	212,04
N 135 4	Head Base	HP-TRN2	5B	212,04
N 150 5	O-Ring Head Base	HP-TRN1/TRN2	6	212,04
N 131 2	Main Body Ring Screw	HP-TRN1/TRN2	7	212,04
N 150 7	O-Ring Needle Packing	HP-TRN1/TRN2	8	212,04
N 125 2	Needle Packing Screw	HP-TRN1/TRN2	9	212,04
N 130 1	Slide Cam	HP-TRN1/TRN2	10	212,04
N 130 2	Spring Slide Cam	HP-TRN1/TRN2	11	212,04
N 131 1	Main Body Ring	HP-TRN1/TRN2	12	212,04
N 115 2	Needle Chucking Guide	HP-TRN1/TRN2	13	212,04
N 135 2	Spring Ndl Chk Guide	HP-TRN1/TRN2	14	212,04
N 170 2	Spring Guide	HP-TRN1/TRN2	15	212,04
N 120 2	Needle Chucking Nut	HP-TRN1/TRN2	16	212,04

CODE	DESCRIPTION	MODEL	REF.	SMP*
N 075 4	Needle 0.50 mm	HP-TRN2	17	212,04
N 075 3	Needle 0.35 mm	HP-TRN1	17	212,04
N 090 2	Handle Cap Set	HP-TRN1/TRN2	18	681,72
N 100 2	Trigger W/Trigger Screw	HP-TRN1/TRN2	19	212,04
N 010 1	Air Piston Set	HP-TRN1/TRN2	20	212,04
N 020 2	Air Valve Set	HP-TRN1/TRN2	21	446,88
N 160 1	Grip Mount/Extension	HP-TRN1/TRN2	22	681,72
N 160 2	Grip	HP-TRN1/TRN2	23	353,40
N 040 1	Bottle Adapter	HP-TRN2	24	446,88
N 095 2	Lid For 15Cc Side Cup	HP-TRN2	25	212,04
N 070 6	Side Cup 15Cc	HP-TRN2	26	212,04
N 095 3	Lid For 7Cc Side Cup	HP-TRN2	27	212,04
N 070 5	Side Cup 7Cc	HP-TRN2	28	681,72
N 070 3	Gravity Cup 3Cc	HP-TRN1	29	446,88
N 071 2	O-Ring For 3Cc Gravity Cup	HP-TRN1	30	212,04
N 070 4	Gravity Cup 7Cc	HP-TRN1	31	681,72
N 095 1	Lid For 7Cc Gravity Cup	HP-TRN1	32	212,04
N 071 3	O-Ring For 7Cc Gravity Cup	HP-TRN1	33	212,04
N 165 1	Spanner	HP-TRN1/TRN2	34	212,04

\*SMP = Suggested Market Price • All prices exclude local VAT



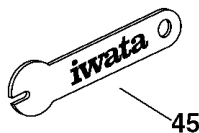
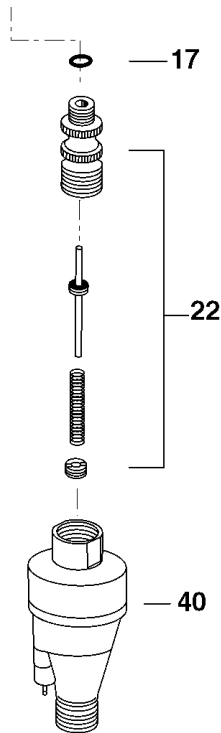
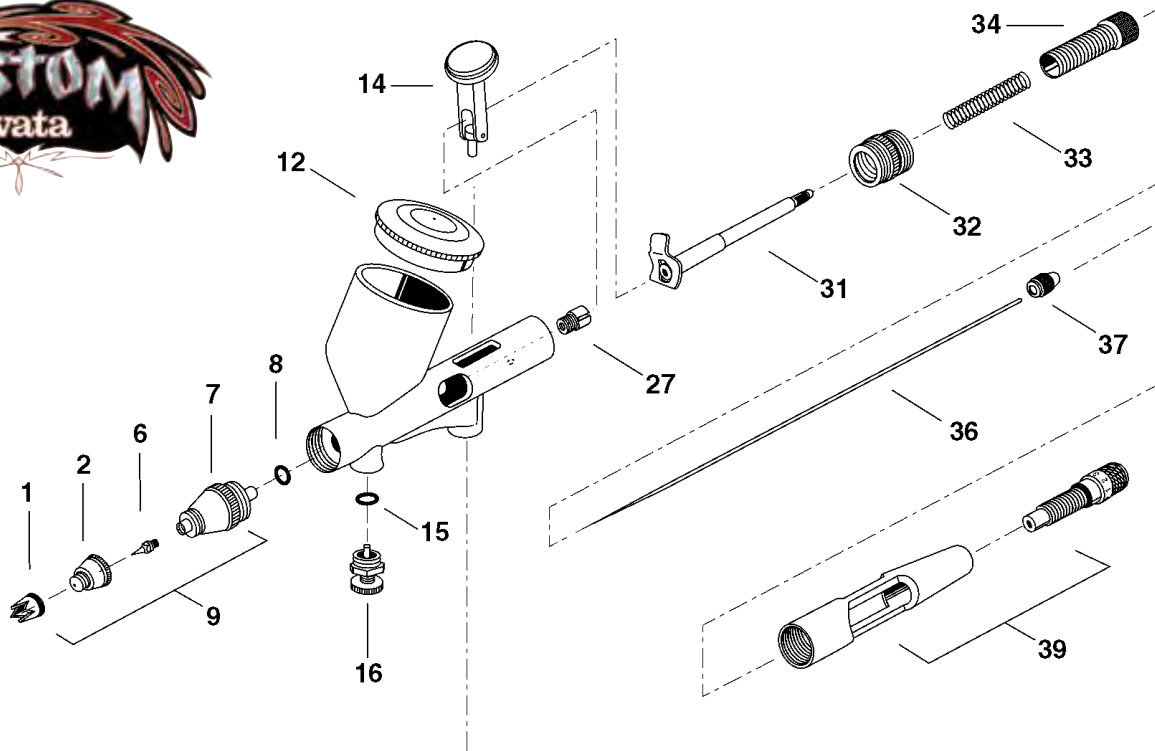


## Kustom HP-TH

CODE	DESCRIPTION	MODEL	REF.	SMP*
I 110 7	Cover Ring	HP-TH	4	353,40
I 110 5	Air Cap (Flat Pattern)	HP-TH	5A	1 057,92
I 110 6	Air Cap (Round Pattern)	HP-TH	5B	1 057,92
I 081 1	Nozzle Set 0.50 mm	HP-TH	6	1 057,92
I 082 1	Head Cap	HP-TH	7	1 600,56
I 083 1	O Ring	HP-TH	8	166,44
I 150 7	Cup Packing	HP-TH	10	166,44
I 070 8	Cup Set	HP-TH	11	1 600,56
I 718 2	Lid	HP-TH	12	918,84
I 714 2	Trigger Stud	HP-TH	13	353,40
I 714 1	Trigger	HP-TH	14	2 163,72
I 190 2	O Ring	HP-TH	15	166,44
I 190 1	Air Control Valve	HP-TH	16	542,64
I 731 2	Screw	HP-TH	24	166,44
I 125 8	Needle Packing Set	HP-TH	27	542,64
I 730 1	Slide Cam	HP-TH	28	2 163,72
I 730 2	Slide Cam Spring	HP-TH	29	259,92
I 731 1	Main Body Ring	HP-TH	30	542,64
I 715 2	Needle Chucking Guide	HP-TH	31	918,84
I 770 3	Spring	HP-TH	33	166,44
I 170 7	Spring Guide	HP-TH	34	681,72
I 075 7	Fluid Needle 0.50 mm	HP-TH	36	353,40
I 120 1	Needle Chucking Nut	HP-TH	37	166,44
I 155 9	Preset Cap Handle Set	HP-TH	39	1 057,92
I 145 1	Air Valve Packing	HP-TH	17	166,44
I 712 1	Air Valve Set	HP-TH	22	1 057,92
I 713 1	Valve Rod	HP-TH	23	353,40
F A450	Pistol Grip Filter	All Models	40	848,16
I 165 1	Spanner	HP-TH	45	166,44
K 200	Handle Grip	HP-TH	-	706,80

\*SMP = Suggested Market Price • All prices exclude local VAT



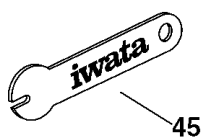
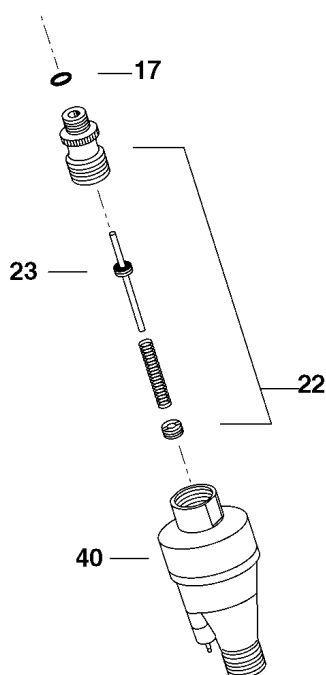
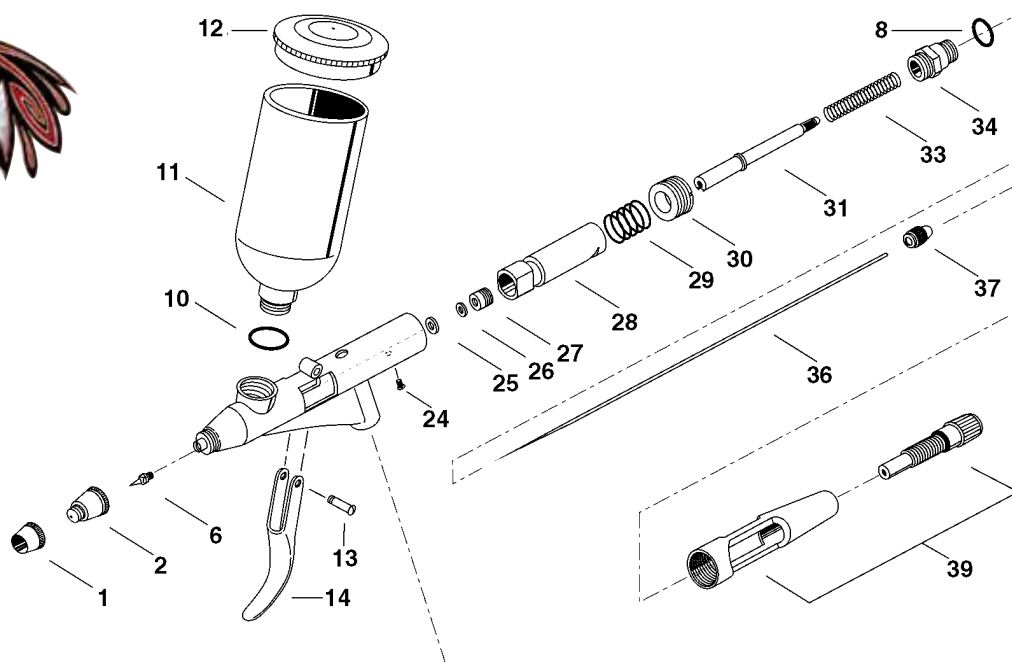


### Kustom Micron HP-CM

CODE	DESCRIPTION	MODEL	REF.	SMP*
I 535 1D	Needle Crown Cap	HP-KCM	1	542,64
I 535 2C	Nozzle Cap 0.23 mm	HP-KCM	2	1057,92
I 535 2B	Nozzle Set 0.23 mm	HP-KCM	6	1 600,56
I 535 1A	Head Cap	HP-KCM	7	2 868,24
I 580 2	O Ring	HP-KCM	8	353,40
I 535 2	Head Cap Set 0.23 mm	HP-KCM	9	4 432,72
I 718 1	Lid Cup	HP-KCM	12	353,40
I 545 3	Main Lever	HP-KCM	14	353,40
I 190 2	O Ring	HP-KCM	15	166,44
I 190 1	Micro Air Control Valve	HP-KCM	16	542,64
I 590 2	Needle Packing Set (Ptfе)	HP-KCM	27	542,64
I 115 7	Needle Chucking Guide W/Auxiliary Lever	HP-KCM	31	353,40
I 565 2	Spring Guide	HP-KCM	32	353,40
I 570 1	Needle Spring	HP-KCM	33	259,92
I 575 1	Needle Spring Adj.	HP-KCM	34	823,08
I 540 3	Needle Set 0.23 mm	HP-KCM	36	681,72
I 120 1	Needle Chucking Nut	HP-KCM	37	166,44
I 585 3	Preset Cap Handle (Single)	HP-KCM	39	1 600,56
I 580 1	O Ring	HP-KCM	17	259,92
I 510 1	Air Valve Set	HP-KCM	22	1 552,68
F A450	Pistol Grip Filter	HP-KCM	40	848,16
I 165 1	Spanner	HP-KCM	45	166,44

\*SMP = Suggested Market Price • All prices exclude local VAT





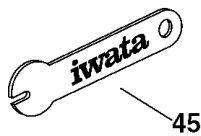
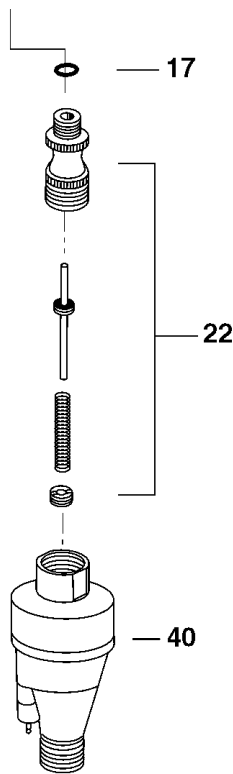
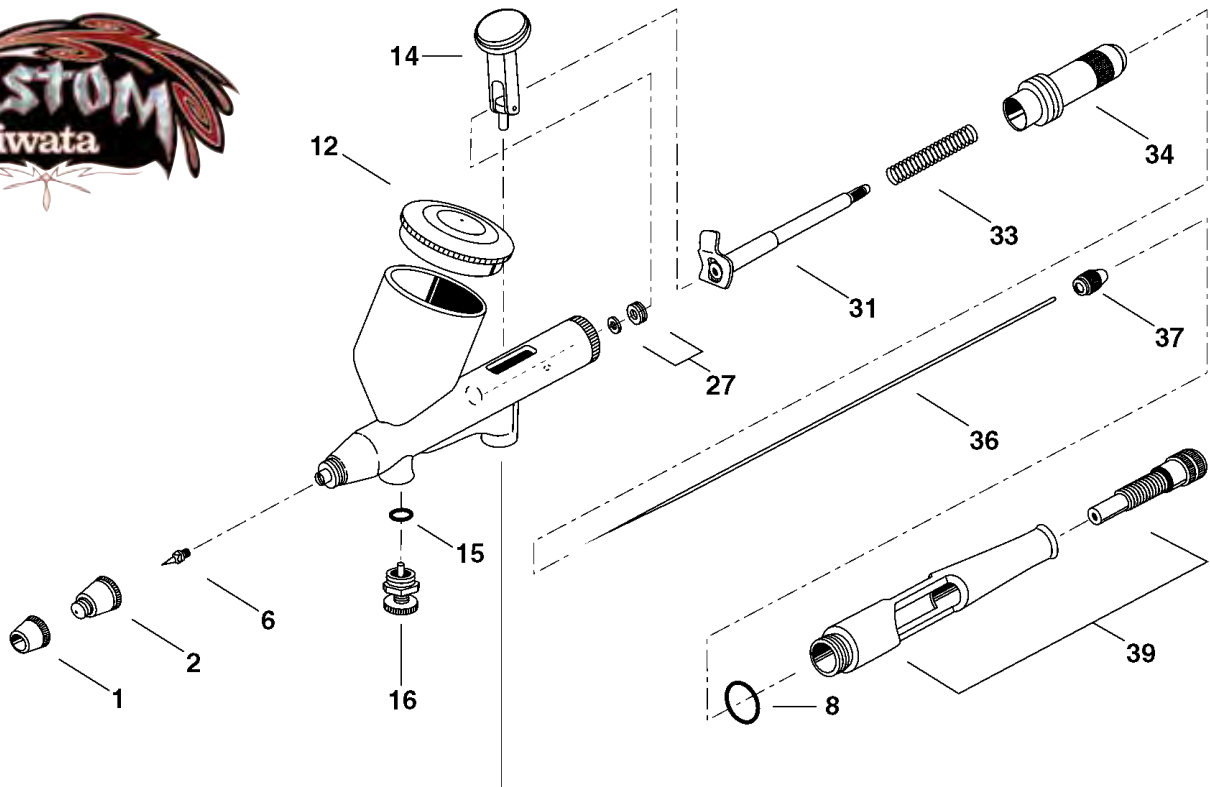
## Kustom Revolution HP-TR

CODE	DESCRIPTION	MODEL	REF.	SMP*
I 701 3	Needle Cap 0.3 mm	HP-KTR	1	166,44
I 702 2	Nozzle Cap 0.30 mm	HP-KTR	2	353,40
I 704 2	Nozzle Set 0.30 mm	HP-KTR	6	681,72
I 605 1	O Ring (2 Pcs.)	HP-KTR	8	166,44
I 150 7	Cup Packing	HP-KTR	10	166,44
I 070 7	Cup Set	HP-KTR	11	1 057,92
I 095 9	Lid	HP-KTR	12	353,40
I 714 2	Trigger Stud	HP-KTR	13	353,40
I 714 1	Trigger	HP-KTR	14	2 163,72
I 731 2	Screw	HP-KTR	24	166,44
I 725 3	Needle Packing (PTFE )	HP-KTR	25	259,92
I 150 2	Needle Packing	HP-KTR	26	166,44
I 725 2	Needle Packing Screw	HP-KTR	27	353,40
I 730 1	Slide Cam	HP-KTR	28	2 163,72
I 730 2	Slide Cam Spring	HP-KTR	29	259,92
I 731 1	Main Body Ring	HP-KTR	30	542,64
I 715 2	Needle Chucking Guide	HP-KTR	31	918,84
I 770 3	Spring	HP-KTR	33	166,44
I 170 7	Spring Guide	HP-KTR	34	681,72
I 717 4	Needle Set 0.30mm	HP-KTR	36	353,40
I 120 1	Needle Chucking Nut	HP-KTR	37	166,44
I 155 4	Preset Cap Handle	HP-KTR	39	1 057,92
I 145 1	Air Valve Packing	HP-KTR	17	166,44
I 712 1	Air Valve Set	HP-KTR	22	1 057,92
I 713 1	Valve Rod	HP-KTR	23	353,40
F A450	Pistol Grip Filter	All Models	40	848,16
I 165 1	Spanner	HP-KTR	45	166,44
K 200	Handle Grip	HP-KTR	-	706,80

\*SMP = Suggested Market Price • All prices exclude local VAT





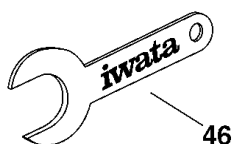
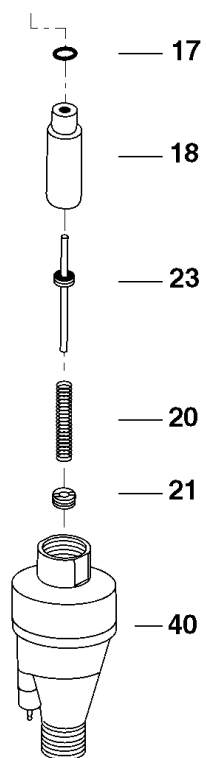
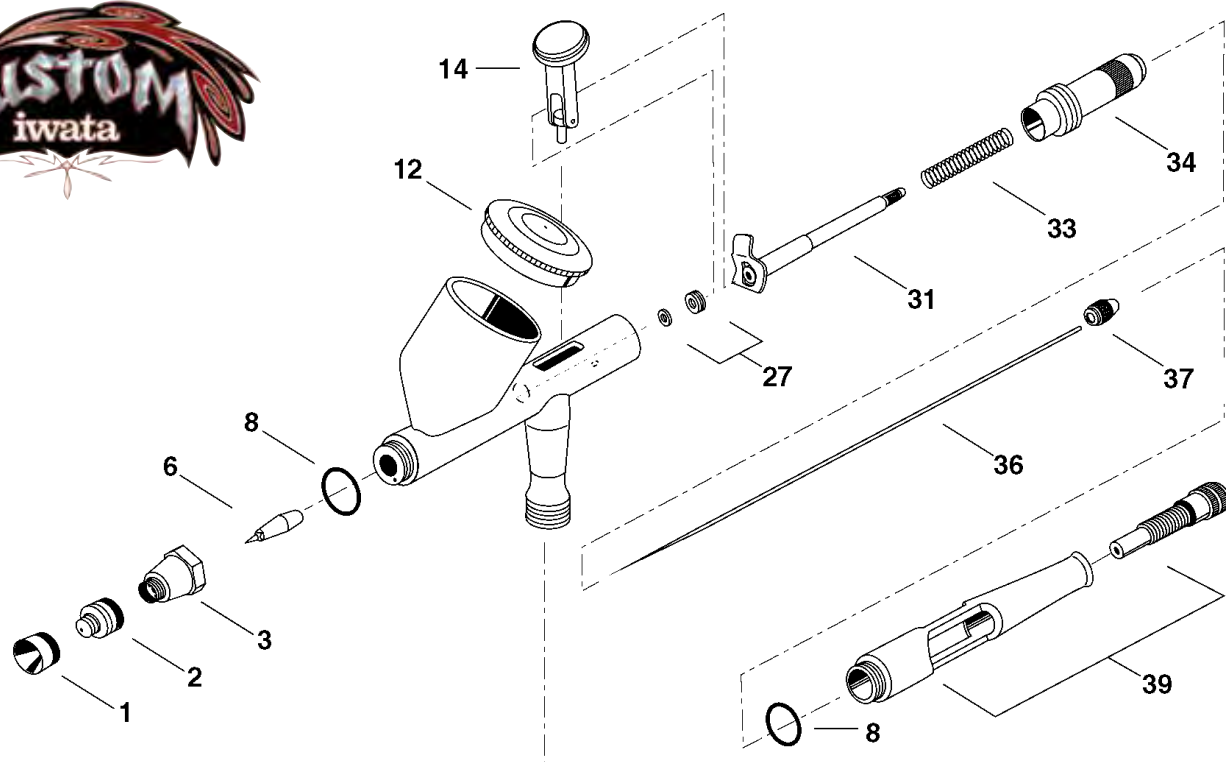


### Kustom Hi-Line HP-CH

CODE	DESCRIPTION	MODEL	REF.	SMP*
I 110 2	Needle Cap	HP-KCH	1	259,92
I 140 3	Nozzle Cap 0.30 mm	HP-KCH	2	542,64
I 080 8	Nozzle Set 0.30 mm	HP-KCH	6	1 057,92
I 605 1	O Ring (2 Pcs.)	HP-KCH	8	166,44
I 718 1	Lid Cup	HP-KCH	12	353,40
I 545 3	Main Lever	HP-KCH	14	353,40
I 190 2	O Ring	HP-KCH	15	166,44
I 190 1	Air Control Valve	HP-KCH	16	542,64
I 125 7	Needle Packing Set (PTFE)	HP-KCH	27	259,92
I 715 1	Needle Chucking Guide	HP-KCH	31	353,40
I 715 2	Needle Spring	HP-KCH	33	918,84
I 770 1	Spring Guide	HP-KCH	34	259,92
I 075 3	Fluid Needle 0.30mm	HP-KCH	36	353,40
I 120 1	Needle Chucking Nut	HP-KCH	37	166,44
I 155 6	Preset Cap Handle Set	HP-KCH	39	1 057,92
I 145 1	Air Valve Packing	HP-KCH	17	166,44
I 030 4	Air Valve Set	HP-KCH	22	1 057,92
F A450	Pistol Grip Filter	All Models	40	848,16
I 165 1	Spanner	HP-KCH	45	166,44

\*SMP = Suggested Market Price • All prices exclude local VAT





## Kustom Eclipse HP-CS

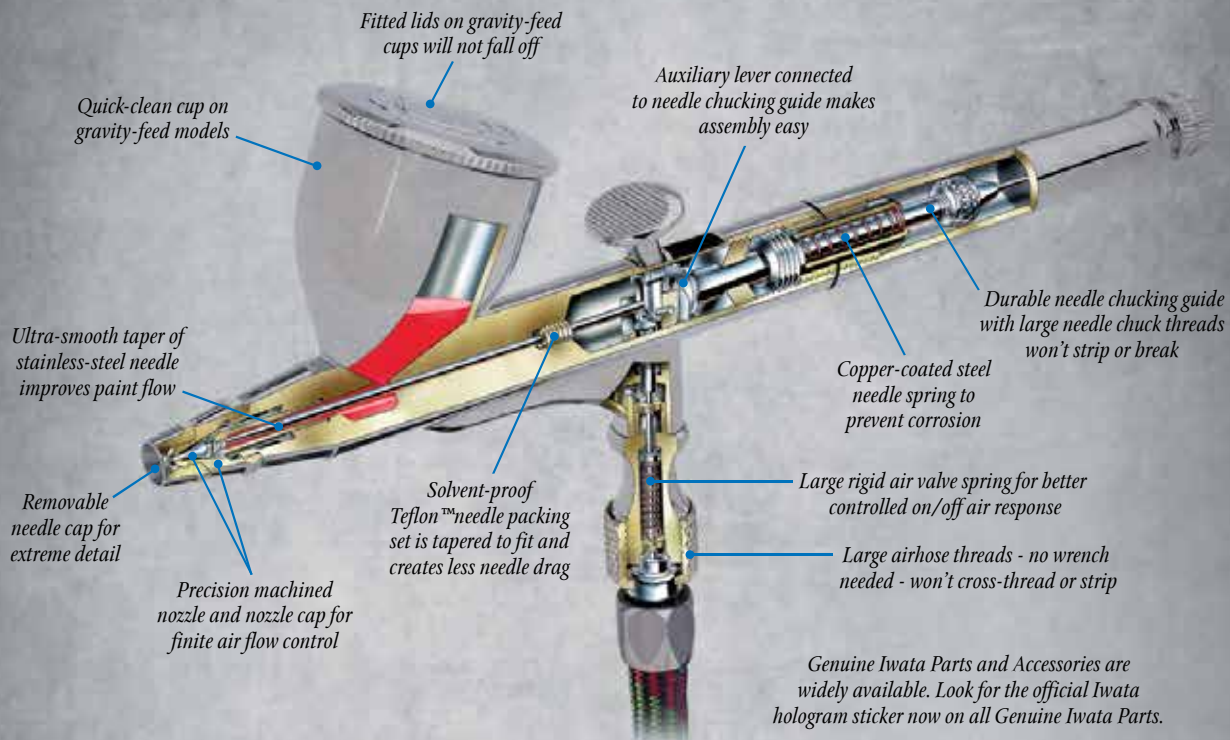
CODE	DESCRIPTION	MODEL	REF.	SMP*
I 601 1	Needle Cap	HP-KCS	1	166,44
I 602 2	Nozzle Cap 0.35 mm	HP-KCS	2	353,40
I 603 1	Head Cap	HP-KCS	3	353,40
I 604 2	Nozzle Set 0.35 mm	HP-KCS	6	681,72
I 605 1	O Ring (2 Pcs.)	HP-KCS	8	166,44
I 618 1	Lid Cup	HP-KCS	12	353,40
I 612 3	Main Lever	HP-KCS	14	353,40
I 125 7	Needle Packing Set (PTFE)	HP-KCS	27	259,92
I 715 1	Needle Chucking Guide	HP-KCS	31	353,40
I 135 1	Needle Spring	HP-KCS	33	166,44
I 770 1	Spring Guide	HP-KCS	34	259,92
I 617 2	Needle Set 0.35mm	HP-KCS	36	259,92
I 120 1	Needle Chucking Nut	HP-KCS	37	166,44
I 155 6	Preset Cap Handle Set	HP-KCS	39	1 057,92
I 580 1	O Ring	HP-KCS	17	259,92
I 608 1	Air Valve Guide	HP-KCS	18	259,92
I 510 4	Air Valve Spring	HP-KCS	20	259,92
I 611 1	Air Valve Guide Screw	HP-KCS	21	166,44
I 609 1	Air Valve	HP-KCS	23	166,44
F A450	Pistol Grip Filter	All Models	40	848,16
I 630 1	Spanner	HP-KCS	46	166,44

\*SMP = Suggested Market Price • All prices exclude local VAT



# Genuine

**Quality & Performance Should Not Be Taken For Granted**



## The Foundation Of The Greatest Airbrush Brand In The World

### PERFORMANCE

*Customer service & technical expertise matching the high performance of the Iwata brand*

### PASSION

*We have a passion for what we do, for the artists we serve and for the people we work alongside.*

### COMMITMENT

*Untiring dedication and commitment to all things airbrush & creative*



## neo air for iwata



## iwata studio series Silver Jet



### IS-30 Neo

SMP\*

#### Code: IS 30 DE

**R3 830,40**

• Motor:	12 Volt
• Max. Pressure:	1.0 bar
• Air Delivery:	10.5 L/min
• Weight:	0.43 kg
• Dimensions:	130 x 99 x 65 mm (approx)

### IS-35 Ninja Jet

SMP\*

#### Code: IS 35 DE

**R4 081,20**

• Motor:	140-110 Watt
• Max. Pressure:	1.3 bar
• Air Delivery:	9 L/min
• Weight:	2.7 kg
• Dimensions:	169 x 159 x 83 mm
• Standard:	4 m coil hose

### IS-50 Silver Jet

SMP\*

#### Code: IS 50 DE

**R4 902,00**

• Motor:	140-110 Watt
• Max. Pressure:	1.3 bar
• Air Delivery:	9 L/min
• Weight:	2.9 kg
• Dimensions:	150 x 155 x 180 mm
• Standard:	4 m coil hose

### IS-850 Smart Jet

SMP\*

#### Code: IS 850 DE

**R6 543,60**

• Motor:	91 Watt
• Max. Pressure:	2.4 bar
• Air Delivery:	18 L/min
• Weight:	3.6 kg
• Dimensions:	250 x 180 x 160 mm
• Standard:	3 m air hose

### IS-875 Smart Jet Pro

SMP\*

#### Code: IS 875 DE

**R8 025,60**

• Motor:	91 Watt
• Max. Pressure:	2.4 bar
• Air Delivery:	18 L/min
• Weight:	6.4 kg
• Dimensions:	265 x 310 x 155 mm
• Standard:	3 m air hose





### IS-875 HT SMP\*

**Code: IS 875HT DE R8 025,60**

- Motor: 150 Watt
- Max. Pressure: 4.2 bar
- Air Delivery: 23 L/min
- Tank: 0.5 L
- Weight: 5.5 kg
- Dimensions: 280 x 160 x 275 mm
- Standard: 3 m air hose



### IS-925 Power Jet Lite SMP\*

**Code: IS 925 DE R9 416,40**

- Motor: 125 Watt
- Max. Pressure: 4.2 bar
- Air Delivery: 34 L/min
- Weight: 7.9 kg
- Dimensions: 265 x 310 x 155 mm
- Standard: 4 m air hose



### IS-925 HT SMP\*

**Code: IS 925HT DE R10 510,80**

- Motor: 220 Watt
- Max. Pressure: 4.2 bar
- Air Delivery: 39 L/min
- Tank: 0.5 L
- Weight: 7.1 kg
- Dimensions: 280 x 160 x 330 mm
- Standard: 3 m air hose



### IS-975 Power Jet Pro SMP\*

**Code: IS 975 DE R12 585,60**

- Motor: 125 Watt
- Max. Pressure: 5.5 bar
- Air Delivery: 34 L/min
- Tank: 2 L
- Weight: 11.9 kg
- Dimensions: 330 x 230 x 180 mm
- Standard: 3 m air hose (with plug)

iwata *studio series*

## MaxxJet



### IS-1000 Maxx Jet SMP\*

**Code: IS 1000 DE R19 585,20**

- Motor: 125 Watt
- Max. Pressure: 5.5 bar
- Air Delivery: 40 L/min
- Tank: 2.5 L
- Weight: 14.2 kg
- Dimensions: 320 x 320 x 570 mm
- Standard: 3 m air hose (with plug)



\*SMP = Suggested Market Price • All prices exclude local VAT

iwata  
*Freestyle*  
air™

**NEW**

Unique curved design fits right in your hand.  
3-Speed adjustment with the most power in its class.  
Powers all gravity-feed airbrushes.  
Use upright or lay flat.

## Iwata Freestyle Air Battery Compressor SMP\*

**Code: IFS 1000 R7 592,40**

• Motor:	12 Volt
• Max. Pressure:	max. 1.3 bar
• Air Delivery:	10.5 L/min
• Weight:	0.76 kg
• Dimensions:	106 x 167 x 57 mm



1. Dual position airbrush holder for use upright or flat
2. On/off rolling switch with 3 speed adjustment
3. AC power adapter with international plugs (100-240V~50/60Hz)
4. Detachable, rechargeable NiMH battery (45 minutes at 10 psi)
5. Non-skid, anti-vibration base
6. 5ft (1.5 m) lightweight air hose

**IDEAL for  
NAIL ART, MAKE-UP  
and TEMPORARY TATTOOS**

## Assorted Compressors Spare Parts

CODE	DESCRIPTION	SMP*
IS 010	FILTER BOWL POWER JET	471,96
IS 011	FILTER REPL. POWER JET	307,80
IS 012	AIR INTAKE FILTER 10PCS	189,24
IS 015	REGULATOR KNOB POWER JET	307,80
IS 020	TANK DRAIN VALVE POWER JET	307,80
IS 110	FILTER ELEMENT IS 850	471,96
IS 111	FILTER REPL. SMART JET	471,96
IS 120	REGULATOR BRACKET SMART JET	588,24
IS 130	COIL HOSE SMART JET	752,40
IS 135	SPRINT/SMART JET FLTR/GAUGE	1 317,84
IS 140	POWER JET SERIES FLTR/REG	2 234,40
NAC 101	MOISTURE FILTER DISPOSABLE	424,08

CODE	DESCRIPTION	SMP*
<b>UNTIL STOCKS LAST</b>		
98302130	IS 875, IS 925 THREE-WAY JOINT NO	273,60
98305130	IS 875, IS 925 CONDENSER	189,24
98301140	IS 875, IS 925 POWERCODE	166,44
98302140	IS 875, IS 925 PRESSURE GAUGE	412,68
98304140	IS 875, IS 925 AIRBRUSH HOLDER	95,76
98305140	IS 875, IS 925 ON/OFF SWITCH	107,16
98301150	IS 875, IS 925 CASE SET	1 447,80
98302150	IS 875, IS 925 RUBBER STAND	107,16
98304150	IS 875, IS 925 BALL SET	752,40
98305150	IS 875, IS 925 HOSE SET 1 (BODY REGULATOR)	294,12
98301160	IS 875, IS 925 HOSE SET 2 (REGULATOR OUTLET)	695,40
98303140	IS 875, IS 925 AIR REGULATOR SET	2 197,92
98303120	IS 850 AIR REGULATOR	3 326,52

\*SMP = Suggested Market Price • All prices exclude local VAT





Nylon Covered Braided Air Hoses



Plastic Bottle Set Crystal Clear



High Strength Translucent Plastic Bottles



Side Feed Airbrushes Bottles

CODE	DESCRIPTION	SMP*
<b>NYLON COVERED BRAIDED AIR HOSES</b>		
BT 010	NYLON COVERED BRAIDED AIR HOSE 10'/ 3,05 M (1/4-1/8)	729,60
BT 050	NYLON COVERED BRAIDED AIR HOSE 10'/ 3,05 M (1/4-1/4)	729,60
CT I 06	IWATA COIL HOSE 6'/ 1,8 M (1/4-1/8)	588,24
CT I 10	IWATA COIL HOSE 10'/ 3,05 M (1/4-1/8)	777,48
DT I 06	IWATA STRAIGHT SHOT HOSE 6'/ 1,8 M (1/4-1/8)	330,60
DT I 10	IWATA STRAIGHT SHOT HOSE 10'/ 3,05 M (1/4-1/8)	471,96
<b>UNTIL STOCKS LAST</b>		
13409030	HPA CH 41 COIL TYPE AIR HOSE 4,00 M (1/8-1/8)	775,20
13409900	HPA CH 31 COIL TYPE AIR HOSE 3,05 M (1/8-1/8)	684,00
13409730	HPA BH 31 BRAIDED HOSE 10'/ 3,05 M (1/8-1/8)	684,00
<b>PLASTIC BOTTLE SET CRYSTAL CLEAR (FOR WATER BASED PAINTS ONLY) ***</b>		
I 450 1	CRYSTAL CLEAR CYLINDER 1 OZ/28 ml FOR WB PAINTS ONLY	189,24
I 450 1P	CRYSTAL CLEAR CYLINDER 1 OZ/28 ml FOR WB PAINTS ONLY	189,24
I 450 2	CRYSTAL CLEAR CYLINDER 2 OZ/56 ml FOR WB PAINTS ONLY	189,24
I 450 2P	CRYSTAL CLEAR CYLINDER 2 OZ/56 ml FOR WB PAINTS ONLY	189,24
I 450 4	CRYSTAL CLEAR CYLINDER 4 OZ/112 ml FOR WB PAINTS ONLY	189,24
I 450 4P	CRYSTAL CLEAR CYLINDER 4 OZ/112 ml FOR WB PAINTS ONLY	189,24
I 460 2	CRYSTAL CLEAR JAR 2 oz/56 ml FOR WB PAINTS ONLY	189,24
I 460 2P	CRYSTAL CLEAR JAR 2 oz/56 ml FOR WB PAINTS ONLY	189,24
<b>HIGH STRENGTH TRANSLUCENT PLASTIC (BOTH SOLVENT AND WATER BASED PAINTS) ***</b>		
I 470 1	TRANSLUCENT PLASTIC CYLINDER 1 oz/28 ml FOR WB AND SOLVENT PAINTS	189,24
I 470 1P	TRANSLUCENT PLASTIC CYLINDER 1 oz/28 ml FOR WB AND SOLVENT PAINTS	189,24
I 470 2	2 oz/56 ml HIGH STRENGTH CYLINDER AIRBRUSH BOTTLE	189,24
I 470 2P	TRANSLUCENT PLASTIC CYLINDER 2 oz/56 ml FOR WB AND SOLVENT PAINTS	189,24
I 470 4	TRANSLUCENT PLASTIC CYLINDER 4 oz/112 ml FOR WB AND SOLVENT PAINTS	189,24
I 470 4P	TRANSLUCENT PLASTIC CYLINDER 4 oz/112 ml FOR WB AND SOLVENT PAINTS	189,24
I 480 2	CUP FOR HP BCS, BCR,SAR AIRBRUSH (oz)	189,24
I 480 2P	TRANSLUCENT PLASTIC JAR 2 oz/56 ml FOR WB AND SOLVENT PAINTS	189,24
I 480 3	CUP FOR HP G6 AIRBRUSH GUN	189,24
I 480 3P	TRANSLUCENT PLASTIC JAR 3 oz/84 ml FOR WB AND SOLVENT PAINTS	189,24
I 480 4	TRANSLUCENT PLASTIC JAR 4 oz/112 ml FOR WB AND SOLVENT PAINTS	189,24
I 480 4P	TRANSLUCENT PLASTIC JAR 4 oz/112 ml FOR WB AND SOLVENT PAINTS	189,24
<b>BIG MOUTH SERIES (BOTH SOLVENT AND WATER BASED PAINTS)</b>		
A 470 1	1 oz (30CC) CYLINDER WITH 20 mm AIRBRUSH CAP BIG MOUTH	166,44
A 470 2	2 oz (60CC) CYLINDER WITH 24 mm AIRBRUSH CAP BIG MOUTH	166,44
A 480 2	3 oz (80CC) CYLINDER WITH 38 mm AIRBRUSH CAP BIG MOUTH	166,44
A 480 3	2.5 oz (75CC) CYLINDER WITH 38 mm AIRBRUSH CAP BIG MOUTH	166,44
A 480 4	4 oz (110CC) CYLINDER WITH 38 mm AIRBRUSH CAP BIG MOUTH	166,44
<b>BIG MOUTH SERIES ADAPTER CAPS (BOTH SOLVENT AND WATER BASED PAINTS)</b>		
A 490 20	20 mm ADAPTER CAP BIG MOUTH	118,56
A 490 24	24 mm ADAPTER CAP BIG MOUTH	118,56
A 490 38	38 mm ADAPTER CAP BIG MOUTH	118,56
<b>BOTTLE SETS FOR HP-SB, SBS SIDE FEED AIRBRUSHES</b>		
I 450 1S	CRYSTAL CLEAR CYLINDER 1 oz/28 ml FOR HP-SB, SBS SIDE FEED AIRBRUSHES	237,12
I 450 2S	CRYSTAL CLEAR CYLINDER 2 oz/56 ml FOR HP-SB, SBS SIDE FEED AIRBRUSHES	237,12
I 470 1S	HIGH STRENGTH CYLINDER 1 oz/28 ml FOR HP-SB, SBS SIDE FEED AIRBRUSHES	237,12
I 470 2S	HIGH STRENGTH CYLINDER 2 oz/56 ml FOR HP-SB, SBS SIDE FEED AIRBRUSHES	237,12

\*SMP = Suggested Market Price • All prices exclude local VAT





**Glass Bottles**



**Bottle Caps**



**Universal Spray Out Pot**



**Airhoses Quick Disconnect**



**Air Filters and Regulators**



**Studio Wipes**



**Cleaning Mat**



**Cleaners and Lubricant**



**Airblast Regulator Adaptor**

CODE	DESCRIPTION	SMP*
<b>GLASS BOTTLE SETS</b>		
I 405 2	GLASS CUP FOR HP BC1P, BC2P AIRBRUSH	1 057,92
I 420 2	GLASS BOTTLE SET 42 ml	1 057,92
<b>BOTTLE CAP SETS</b>		
I 490 20	BOTTLE CAP SET NO RUST FOR 20 mm BOTTLE OPENING	141,36
I 490 20P	BOTTLE CAP SET FASTBLAST FOR 20 mm BOTTLE OPENING	141,36
I 490 24	BOTTLE CAP SET NO RUST FOR 24 mm BOTTLE OPENING	141,36
I 490 24P	BOTTLE CAP SET FASTBLAST FOR 24 mm BOTTLE OPENING	141,36
I 490 38	BOTTLE CAP SET NO RUST FOR 38 mm BOTTLE OPENING	141,36
I 490 38P	BOTTLE CAP SET FASTBLAST FOR 38 mm BOTTLE OPENING	141,36
<b>SIDE FEED CAP SETS</b>		
I 490 20S	SIDE FEED CAP SET FOR 20 mm BOTTLE OPENING	189,24
I 490 24S	SIDE FEED CAP SET FOR 24 mm BOTTLE OPENING	189,24
<b>AIRBRUSH HOLDERS &amp; CLEANING POT</b>		
AH 400	IWATA UNIVERSAL AIRBRUSH HOLDER	912,00
CL 300	UNIVERSAL SPRAY OUT POT	843,60
CL 310	FILTER REPLACEMENT CL 300	159,60
<b>AIR HOSES QUICK DISCONNECT SETS</b>		
I 624 1	ADAPTOR (1/4 F 1/8 M)	494,76
I 624 2	ADAPTOR (1/4 M 1/8 F)	494,76
I 160 3	QUICK FIT SET ( QD & ADAPTOR)	471,96
I 160 4	QUICK FIT ADAPTOR	212,04
I 010 5	AIR HOSE JOINT SET (BRASS)	166,44
<b>AIR FILTERS AND REGULATORS</b>		
F A450	PISTOL GRIP MOISTURE FILTER	848,16
F A500DH	MOISTURE FILTER	1 317,84
F A600DH	MOISTURE FILTER W/REGULATOR & GAUGE	2 517,12
F A700DH	PRESSURE REGULATOR & GAUGE	1 552,68
<b>CLEANERS, LUBRICANT AND CLEANING TOOLS</b>		
CL 100	IWATA AIRBRUSH CLEANING KIT	934,80
6 360 16	360 NOZZLE MEDEA AIRBRUSH CLEANER SPRAYER	282,72
CL 150	CONSUMABLES CLEANING KIT REFILL	296,40
CL MG 1	MAGNIFIER GLASS FOR CLEANING KIT CL 100	296,40
CL NW 1	NOZZLE WRENCH FOR CLEANING KIT CL 100	296,40
CL SJP INSERT	PLASTIC INSERT WITH SET SCREW	205,20
CL 200	IWATA AIRBRUSH CLEANING MAT	706,80
6 600 80	ARTOOL STUDIO WIPES, 80CT TUB	330,60
6 600 12	ARTOOL STUDIO WIPES, 12CT POUCH	95,76
6 600 POP	ARTOOL STUDIO WIPES, POUCH POP	1 999,56
6 500 04	AIRBRUSH CLEANER 4 oz / 112 ml	118,56
6 500 08	AIRBRUSH CLEANER 8 oz / 224 ml	141,36
6 500 16	AIRBRUSH CLEANER 16 oz / 448 ml	189,24
6 500 32	AIRBRUSH CLEANER 32 oz / 896 ml	237,12
015 001	LUBRICANT 1/2 oz / 14 ml SUPER LUBE	282,72
<b>2/3 WAY VALVES &amp; AIRBLASTS</b>		
012 004	2-WAY ASSEMBLING VALVE	1 928,88
012 005	3-WAY ASSEMBLING VALVE	3 057,48
020 100	AIRBLAST REGULATOR ADAPTOR	259,92
<b>P = with Plastic Neck</b>		



**2/3 Way Valve**

\*SMP = Suggested Market Price • All prices exclude local VAT







**DELUXE SET**

CODE	DESCRIPTION	SMP*
CRIS50BLKDE	AIRBRUSH STARTER KIT	6 954,00
DLXIS850CR	DELUXE SET IS 850 + HP CR + MEDEA ACCESSORIES	11 742,00
DLXIS850BR	DELUXE SET IS 850 + HP BR + MEDEA ACCESSORIES	11 742,00
DLXIS850BCR	DELUXE SET IS 850 + HP BCR + MEDEA ACCESSORIES	11 742,00
DLXIS850CS	DELUXE SET IS 850 + HP CS + MEDEA ACCESSORIES	11 742,00
DLXIS850SBS	DELUXE SET IS 850 + HP SBS + MEDEA ACCESSORIES	11 742,00
DLXIS850BCS	DELUXE SET IS 850 + HP BCS + MEDEA ACCESSORIES	11 742,00
DLXIS850CP	DELUXE SET IS 850 + HP CP + MEDEA ACCESSORIES	11 742,00
DLXIS850BC1P	DELUXE SET IS 850 + HP BCP + MEDEA ACCESSORIES	11 742,00



**Basic Airbrush Techniques Exercise Kit**

CODE	DESCRIPTION	SMP*
VT 070	ROBERT PASCHAL - BASIC AIRBRUSH TECHNIQUES BOOK	627,00
VT 075	BASIC AIRBRUSH TECHNIQUES EXERCISE KIT	542,64



**NEO KIT**

CODE	DESCRIPTION	SMP*
IW 120	<b>Gravity-Feed Airbrushing Kit Neo</b> - NEO Air for Iwata Air Compressor with International Plugs And Airhose - NEO for Iwata CN Gravity-Feed, Dual-Action Airbrush With 2 Cup Sizes - 3 Bottles of Medea Com-Art Colours (1 oz) - Medea Airbrush Cleaner (1 oz) - Online Practice Exercises	5 654,40



**Professional Airbrush Maintenance Tools**

CODE	DESCRIPTION	SMP*
CL 500	PROFESSIONAL AIRBRUSH MAINTENANCE TOOLS	2 758,80
CL 500E	ZIPPERED AIRBRUSH CASE (EMPTY)	478,80



**AIR-PORT™**  
AIRBRUSH WORK STATION  
BY KARA-JEN CORP.



Quick Needle Release    Quick Flush    Pre-Set Handle    Needle Cap Holder



**AIR-PORT HANGER™**

CODE	DESCRIPTION	SMP*
<b>TRIPLE - ACTION HANDLE SET</b>		
K 150	TRIPLE-ACTION HANDLE SET	823,08
K 155	TRIPLE-ACTION HANDLE SET W/ 5 COLORED HANDLES	1 083,00
<b>AIR-PORT - AIRBRUSH MAGNETIC WORKSTATION</b>		
KJ 200	AIR-PORT AIRBRUSH WORKSTATION MAGNETIC / BOLT-ON	4 067,52
KJ 100	AIR-PORT HANGER MAGNETIC / BOLT-ON	681,72
K 250	EXTERNAL MAC VALVE	823,08
K 200	KUSTOM HANDLE GRIP TH/TR	706,80

\*SMP = Suggested Market Price • All prices exclude local VAT



The **ESSENTIAL SEVEN™**  
SIGNATURE SERIES

THE **WAVE MAKER™**

The **ANGLE MASTER™**

PIN-UP SHIELD™

**MATCH MAKERS™**

**INTRO SERIES™**  
by Robert Paschal

Craig Fraser's **Patriotica™**

**BONE HEADZ™**  
BY MIKE LAVALLÉE

Dennis Mathewson's **Bubble FX™**

FLAME MASTER™

Craig Fraser's **FLAME-O-RAMA™**

Craig Fraser's **FLAME-O-RAMA™**  
"2"

CODE	DESCRIPTION	SMP*
<b>THE ESSENTIAL SEVEN™</b>		
FH 1 SP	FREEHAND AIRBRUSH TEMPLATE - EDDIE YOUNG TEMPLATE (SOLVENT PROOF)	376,20
FH 2 SP	FREEHAND AIRBRUSH TEMPLATE - EDDIE YOUNG TEMPLATE (SOLVENT PROOF)	376,20
FH 3 SP	FREEHAND AIRBRUSH TEMPLATE - 360 DEGREE SHIELD (SOLVENT PROOF)	376,20
FH 4 SP	FREEHAND AIRBRUSH TEMPLATE - 45 DEGREE SHIELD (SOLVENT PROOF)	376,20
FH 5 SP	FREEHAND AIRBRUSH TEMPLATE - ANDREA MISTRETTA MINI (SOLVENT PROOF)	376,20
FH 6 SP	FREEHAND AIRBRUSH TEMPLATE - ANDREA MISTRETTA SUPER (SOLVENT PROOF)	376,20
FH 7 SP	FREEHAND AIRBRUSH TEMPLATE - THE BIG SHIELDS (SOLVENT PROOF)	376,20
FH P SP	FREEHAND AIRBRUSH TEMPLATE ESSENTIAL 7 POUCH	2 211,60
<b>THE BIG SHIELD™ SPECIAL EDITION by Gabe Mc Cubbin</b>		
FH 7 BLM	THE BIG SHIELD™ SPECIAL EDITION SET 20th Anniversary by Gabe McCubbin	969,00
<b>THE WAVE MAKER™</b>		
FH 8	FREEHAND AIRBRUSH TEMPLATE THE WAVE MAKER	376,20
<b>THE ANGLE MASTER™</b>		
FH 9 SP	FREEHAND AIRBRUSH TEMPLATE THE ANGLE MASTER	376,20
<b>PIN-UP SHIELD™ by Edward Reed</b>		
FH 10	FREEHAND AIRBRUSH TEMPLATE PIN UP SHIELD	376,20
<b>MATCH MAKERS™</b>		
FH 11 SP	FREEHAND AIRBRUSH TEMPLATE - MATCH MAKERS TEMPLATE	501,60
<b>INTRO SERIES™ by Robert Paschal</b>		
FH IS1	INTRO SERIES SET BY ROBERT PASCHAL	376,20
<b>PATRIOTICA™ by Craig Fraser</b>		
PTR 1 SP	RED TEMPLATE	592,80
PTR 2 SP	WHITE TEMPLATE	592,80
PTR 3 SP	BLUE TEMPLATE	592,80
PTR 4 SP	EAGLE TEMPLATE	592,80
PTR 5 SP	ALL FOURL TEMPLATE	2 314,20
<b>BONEHEADZ™ by Mike Lavallee</b>		
FH BH 1	BONEHEADZ (CRANIUM) TEMPLATE SET	2 610,60
FH BH 2	BONEHEADZ (SCREAMERS) TEMPLATE SET	2 610,60
FH BH 3	BONEHEADZ (EIGHT8DEAD) TEMPLATE SET	2 610,60
<b>BUBBLE FX™ by Dennis Mathewson</b>		
FH BFX 1	BUBBLE FX TM SET + DVD BY DENNIS MATHEWSON	2 382,60
<b>FLAME MASTER™</b>		
FH FM 1	FREEHAND AIRBRUSH TEMPLATE - FLAME MASTER MEDIUM	570,00
FH FM 2	FREEHAND AIRBRUSH TEMPLATE - FLAME MASTER MULTIPLE	570,00
FH FM 3	FREEHAND AIRBRUSH TEMPLATE - FLAME MASTER COMPLETE SET	991,80
<b>FLAME-o-RAMA® by Craig Fraser</b>		
FOR 1SP	TEMPLATE FLAME-DANGO	592,80
FOR 2SP	TEMPLATE OL' SCHOOL	592,80
FOR 3SP	TEMPLATE SLASH	592,80
FOR 4SP	TEMPLATE FUNKADELIK	592,80
FOR 5SP	TEMPLATE COMPLETE SET OF ALL FOUR	2 314,20
<b>FLAME-o-RAMA2® by Craig Fraser</b>		
FH FOR 6	TEMPLATE VAN FLAMIN 8" X 10.5"	592,80
FH FOR 7	TEMPLATE CLASSICO 8" X 10.5"	592,80
FH FOR 8	TEMPLATE FIRE BALZ 8" X 10.5"	592,80
FH FOR 9	TEMPLATE FLAMGASM 8" X 10.5"	592,80
FH FOR 10	TEMPLATE GOTHIKA 8" X 10.5"	592,80
FH FOR 11	TEMPLATE SPOT 8" X 10.5"	729,60
FH FOR 12	FLAME O RAMA 2 TEMPLATES SET	3442,80

\*SMP = Suggested Market Price • All prices exclude local VAT





CODE	DESCRIPTION	SMP*
<b>HOT HEADZ by Mike Lavallee</b>		
FH HH 1	SMOKIN' JOES	2 610,60
FH HH 2	HELL RIDERS	2 610,60
<b>KUSTOM FX™</b>		
KFX 1SP	TEMPLATE TIKI MADNESS	592,80
KFX 2SP	TEMPLATE BULLET - RIDDEN	592,80
KFX 3SP	TEMPLATE CHEETAH PIMP	592,80
KFX 4SP	TEMPLATE DIAMOND PLATE	592,80
KFX 5SP	TEMPLATE CLOUD-9	592,80
KFX 6SP	TEMPLATE BRAINIAC	592,80
KFX 7SP	TEMPLATE COMPLETE SET OF ALL SIX	3 317,40
<b>KUSTOM FX 2™ by Craig Fraser</b>		
FXII 8SP	ARTOOL TEMPLATE "PUZZLED"	592,80
FXII 9SP	ARTOOL TEMPLATE "NUT N" BOLTZ"	592,80
FXII 10SP	ARTOOL TEMPLATE "GEAR HEAD"	592,80
FXII 11SP	ARTOOL TEMPLATE "DOLLA" BILL"	592,80
FXII 12SP	ARTOOL TEMPLATE "DRAGON SKIN"	592,80
FXII 13SP	ARTOOL TEMPLATE "THE BLOB"	592,80
FXII 14SP	ARTOOL TEMPLATE "ALL SIX!"	3 317,40
<b>KUSTOM FX 3™ by Craig Fraser</b>		
FX3 15SP	TEMPLATE GLYPHS	592,80
FX3 16SP	TEMPLATE UNCHAINED	592,80
FX3 17SP	TEMPLATE THE WEB	592,80
FX3 18SP	TEMPLATE BLADES	592,80
FX3 19SP	TEMPLATE MUSIKA	592,80
FX3 20SP	TEMPLATE BARBY	592,80
FX3 21SP	TEMPLATE SET FX3	3 317,40
<b>KUSTOM FX 4™ by Craig Fraser</b>		
FH FX4 22	TEMPLATE FX4 WRENCHED BY CRAIG FRASER	592,80
FH FX4 23	TEMPLATE FX4 FRONDS BY CRAIG FRASER	592,80
FH FX4 24	TEMPLATE FX4 SRAEG BY CRAIG FRASER	592,80
FH FX4 25	TEMPLATE FX4 CLASSIC CAMO BY CRAIG FRASER	592,80
FH FX4 26	TEMPLATE FX4 DIGITAL CAMO BY CRAIG FRASER	592,80
FH FX4 27	TEMPLATE FX4 GATOR BY CRAIG FRASER	729,60
FH FX4 28	TEMPLATE FX4 COMPLETE SET BY CRAIG FRASER	3 442,80
<b>KUSTOM KULTURE FX™ by Craig Fraser</b>		
KKFX 15 SP	TEMPLATE "FLY BALLZ"	592,80
KKFX 16 SP	TEMPLATE "PISTONS & PLUGS"	592,80
KKFX 17 SP	TEMPLATE "LUCKY 7"	592,80
KKFX 18 SP	TEMPLATE "ACES N" EIGHTS"	592,80
KKFX 19 SP	TEMPLATE "SACRED HEART"	592,80
KKFX 20 SP	TEMPLATE "MARTINI TIME"	592,80
KKFX 21 SP	TEMPLATE "KUSTOM CULTURE SET"	3 317,40
<b>KANJI MASTER® by Dennis Mathewson</b>		
FH KM 1	KANJI MASTER SERIES - DRAGON	592,80
FH KM 2	KANJI MASTER SERIES - KOI	592,80
FH KM 3	KANJI MASTER SERIES - TSUNAMI	592,80
FH KM 4	KANJI MASTER SERIES - BAMBOO	592,80
FH KM 5	KANJI MASTER SERIES - KANJI MASK	592,80
FH KM 6	KANJI MASTER SERIES - KANJI SYMBOLS	592,80
FH KM 7	KANJI MASTER COMPLETE SET	3 317,40

\*SMP = Suggested Market Price • All prices exclude local VAT





CODE	DESCRIPTION	SMP*
<b>WIRED LONG LINES by Dean Loucks</b>		
FH LL 1	FREEHAND AIRBRUSH TEMPLATE - WIRED LONG LINES BY DEAN LOUCKS	2 451,00
<b>METROPOLIS™</b>		
FH MET 1	METROPOLIS SET	1 915,20
<b>PIRACY™ by Craig Fraser</b>		
FH PRY 1	TEMPLATE PIRACY TELL NO TELLS BY CRAIG FRASER	592,80
FH PRY 2	TEMPLATE PIRACY JOLLY ROGER BY CRAIG FRASER	592,80
FH PRY 3	TEMPLATE PIRACY O CURSED BY CRAIG FRASER	969,00
FH PRY 4	TEMPLATE PIRACY TORTUGA BY CRAIG FRASER	661,20
FH PRY 5	TEMPLATE PIRACY FLYING DUTCHMAN BY CRAIG FRASER	752,40
FH PRY 6	TEMPLATE PIRACY PIECES OF EIGHT BY CRAIG FRASER	877,80
FH PRY 7	TEMPLATE PIRACY ALL SIX BY CRAIG FRASER	4 092,60
<b>SAILOR GIRLIES™ by Deborah Mahan</b>		
FH SG 1	SAILOR GIRLIES SET OF FOUR	1482,00
<b>SPLATTER FX™ by Gerald Mendez</b>		
FH SFX 1	SPLATTER FX SET BY GERARD MENDEZ	1208,40
<b>SKULLMASTER® by Craig Fraser</b>		
FH SK1 SP	TEMPLATE SKULL MASTER MULTIPLE SOLVENT PROOF	592,80
FH SK2 SP	TEMPLATE SKULL MASTER FRONTAL SOLVENT PROOF	592,80
FH SK3 SP	TEMPLATE SKULL MASTER SCREAMING SOLVENT PROOF	592,80
FH SK4 SP	TEMPLATE SKULL MASTER SET ALL THREE SOLVENT PROOF	1 721,40
<b>SON OF SKULLMASTER® by Craig Fraser</b>		
FH SK5 SP	TEMPLATE SON / SKULL NITE & DAY SOLVENT PROOF	592,80
FH SK6 SP	TEMPLATE SON / SKULL DEVIL ON ANGEL SOLVENT PROOF	592,80
FH SK7 SP	TEMPLATE SON / SKULL BONZ SOLVENT PROOF	592,80
FH SK8 SP	TEMPLATE SON / SKULL MENAGERIE SOLVENT PROOF	592,80
FH SK9 SP	TEMPLATE SON / SKULL SET ALL FOUR SOLVENT PROOF	2 314,20
<b>THE CURSE OF SKULLMASTER® by Craig Fraser</b>		
FH SK10 SP	PETTING ZOO	592,80
FH SK11 SP	EVIL HORDE	592,80
FH SK12 SP	BUCKANEER	592,80
FH SK13 SP	VOODOO	592,80
FH SK14 SP	BONZ II	661,20
FH SK15 SP	ALL FIVE	2 827,20
<b>THE RETURN OF SKULLMASTER by Craig Fraser®</b>		
FH SK16 SP	FRONTAL II	592,80
FH SK17 SP	MULTIPLE II	592,80
FH SK18 SP	SCREAMIN II	592,80
FH SK19 SP	LUCKY 13	592,80
FH SK20 SP	ALL FOUR	2 314,20
<b>HORROR OF SKULLMASTER® by Craig Fraser</b>		
FH SK21 SP	TEMPLATE HEADS UP	969,00
FH SK22 SP	TEMPLATE THE SCREAM	969,00
FH SK23 SP	TEMPLATE PROFILE	969,00
FH SK24 SP	TEMPLATE COMPLETE SET OF ALL	2 713,20
<b>WRATH OF SKULLMASTER® by Craig Fraser</b>		
FH SK26 SP	CRAIG FRASER - WRATH OF SKULLMASTER - MR. POTATO BONZE TEMPLATE	786,60
FH SK27 SP	CRAIG FRASER - WRATH OF SKULLMASTER - MR. POTATO BONZE STUPH #1 TEMPLATE	786,60
FH SK28 SP	CRAIG FRASER - WRATH OF SKULLMASTER - MR. POTATO BONZE STUPH #2 TEMPLATE	786,60
FH SK29 SP	CRAIG FRASER - WRATH OF SKULLMASTER - BURIAL GROUND TEMPLATE	786,60
FH SK30 SP	CRAIG FRASER - WRATH OF SKULLMASTER - KALAVERAS TEMPLATE	786,60
FH SK31 SP	CRAIG FRASER - WRATH OF SKULLMASTER - BONZE III	786,60
FH SK32 SP	CRAIG FRASER - WRATH OF SKULLMASTER - COMPLETE SET OF SIX	4 491,60

\*SMP = Suggested Market Price • All prices exclude local VAT





CODE	DESCRIPTION	SMP*
<b>LIMITED EDITION SKULL DUGGERY TEMPLATE by Craig Fraser</b>		
FH SK25 SP	CRAIG FRASER'S LIMITED EDITION SKULL DUGGERY TEMPLATE	14 671,80
<b>FREEHAND AIRBRUSH TEMPLATE - EVIL 3 BY CRAIG FRASER</b>		
FH SKLTD	FREEHAND AIRBRUSH TEMPLATE - EVIL 3 BY CRAIG FRASER	1482,00
<b>SPIDER MASTER™ by Craig Fraser</b>		
FH SM 1	SPIDER MASTER - SPIDERZ BY CRAIG FRASER	661,20
FH SM 2	SPIDER MASTER - ARACHNOPHOBIA BY CRAIG FRASER	592,80
FH SM 3	SPIDER MASTER - WIDOW-MAKER BY CRAIG FRASER	592,80
FH SM 4	SPIDER MASTER SET BY CRAIG FRASER	1 789,80
<b>STEAMPUNK FX® by Craig Fraser</b>		
FH SPFX 1	STEAMPUNK FX JUNK	786,60
FH SPFX 2	STEAMPUNK FX MECHANIX	729,60
FH SPFX 3	STEAMPUNK FX GAUGES	729,60
FH SPFX 4	STEAMPUNK FX SWITCHES	729,60
FH SPFX 5	STEAMPUNK FX CLOCKWORK	729,60
FH SPFX 6	STEAMPUNK FX GEAR DRIVES	786,60
FH SPFX 7	STEAMPUNK FX SET	4 024,20
<b>STEAMPUNK FX2® by Craig Fraser</b>		
FH SPFX 21	STEAMPUNK FX2 "KLOCKWERKS II" BY CRAIG FRASER	786,60
FH SPFX 22	STEAMPUNK FX2 "JERRY-RIG" BY CRAIG FRASER	786,60
FH SPFX 23	STEAMPUNK FX2 "THE LAB" BY CRAIG FRASER	786,60
FH SPFX 24	STEAMPUNK FX2 "GRILLS" BY CRAIG FRASER	786,60
FH SPFX 25	STEAMPUNK FX2 SET BY CRAIG FRASER	2 964,00
<b>STEAM DRIVEN™ by Craig Fraser</b>		
FH SDSK 1	STEAM DRIVEN "STEAM SKULL" BY CRAIG FRASER	786,60
FH SDSK 2	STEAM DRIVEN "TICK TOCK" BY CRAIG FRASER	786,60
FH SDSK 3	STEAM DRIVEN "SPRUNG" BY CRAIG FRASER	786,60
FH SDSK 4	STEAM DRIVEN SET BY CRAIG FRASER	2 234,40
<b>BLASTED FX™ by Ryno</b>		
FH BLTFX 1	CIRCLE FX	501,60
FH BLTFX 2	OVAL FX	592,80
FH BLTFX 3	GAMBLIN FX	501,60
FH BLTFX 4	LUCKY FX	592,80
FH BLTFX 5	SACRED FX	592,80
FH BLTFX 6	MARINE FX	592,80
FH BLTFX 7	BLASTED COMPLETE SET	3 203,40
<b>H STENCIL™ by Craig Fraser</b>		
FH HS1	H STENCIL BY CRAIG FRASER	855,00
<b>AZTEC FX TEMPLATE SET by Gerald Mendez</b>		
FH AZTFX 1	AZTEC FX BY GERALD MENDEZ	1 117,20
<b>PACK 'O'SKULLZ™ by Scott MacKay</b>		
FH PKOS 1	PACK OF SKULLZ 1	1 014,60
FH PKOS 2	PACK OF SKULLZ 2	1 014,60
<b>TRUE FIRE - 9 STENCIL SET W/DVD by Mike Lavalie</b>		
FH TF 1	MIKE LAVALLE'S TRUE FIRE - 9 STENCIL SET W/DVD	3 910,20
<b>TRUE FIRE 2 WITH 2ND DEGREE BURN by Mike Lavalie</b>		
FH TF 2	TRUE FIRE 2 WITH 2ND DEGREE BURN BY MIKE LAVALLEE	3 089,40
<b>TEXTURE FX SET</b>		
FH TFX 1	TEXTURE FX SET (ORGANIC, COSMIC, MASTER)	969,00
<b>TEXTURE FX 2 by Gerald Mendez</b>		
FH TFX 2	TEXTURE FX 2	969,00
<b>CARBON FIBER™ FX by Chris Cruz</b>		
FH CFFX 1	CARBON FIBER FX TEMPLATE SET BY CHRIS CRUZ	729,60

\*SMP = Suggested Market Price • All prices exclude local VAT





CODE	DESCRIPTION	SMP*
<b>WOOD GRAIN FX TEMPLATE by Dennis Mathewson</b>		
FH WGFX 1	WOOD GRAIN FX TEMPLATE BY DENNIS MATHEWSON	2 382,60
<b>TIKI MASTER by Dennis Mathewson</b>		
FH TM 1	TRIBAL TIKI TEMPLATE	592,80
FH TM 2	KONA TIKI TEMPLATE	592,80
FH TM 3	TIKI TROUBLE TEMPLATE	592,80
FH TM 4	TIKI BAR TEMPLATE	592,80
FH TM 5	TOTEM TIKI TEMPLATE	592,80
FH TM 6	ALOHA SPIRIT TEMPLATE	592,80
FH TM 7	TIKI MASTER SET TEMPLATE	3 317,40
<b>TIKI MASTER II by Dennis Mathewson</b>		
FH TM 8	TROPICAL TRIBALS TEMPLATE	592,80
FH TM 9	HULA SPIRIT TEMPLATE	592,80
FH TM 10	TWO FACE TIKI TEMPLATE	592,80
FH TM 11	TIKI JOE TEMPLATE	592,80
FH TM 12	FREAKIN" TIKIS TEMPLATE	592,80
FH TM 13	LEILANI TEMPLATE	592,80
FH TM 14	TIKI MASTER II COMPLETE SET	3 317,40
<b>TRIBAL MASTER® SET by Steve Vandemon</b>		
FH TRM 1	NEW TRIBAL MASTER SET	3 408,60
<b>TRIBAL MASTER® II CORNERED by Steve Vandemon</b>		
FH TRM 2	TRIBAL MASTERS II CORNERED BY STEVE VANDEMON	3 408,60
<b>BIOMECH FX by Mike Lavallee</b>		
FH BMFX 1	BIOMECH FX SKULL BUSTER BY MIKE LAVALLE	3 089,40
FH BMFX 2	BIOMECH FX SPINAL TRAP BY MIKE LAVALLE	3 089,40
<b>VIKING FX by Craig Fraser</b>		
FH VKFX 1	VIKING FX RUNES BY CRAIG FRASER	592,80
FH VKFX 2	VIKING FX VAHALLA BY CRAIG FRASER	592,80
FH VKFX 3	VIKING FX BERZERKER BY CRAIG FRASER	592,80
FH VKFX 4	VIKING FX DRAUGAR BY CRAIG FRASER	592,80
FH VKFX 5	VIKING FX SET BY CRAIG FRASER	2 314,20
<b>ZAZZO MAKE UP MASTERS BEAUTY ENSEMBLE by Bradley M. Look</b>		
MFX 1	ZAZZO BEAUTY ENSAMBLE	1 436,40
<b>ZAZZO MAKE UP MASTERS CHARACTER TROUPE by Bradley M. Look</b>		
MFX 2	CHARACTER TROUPE	1 436,40
<b>NANO SERIES</b>		
FH NS 1	CRAIG FRASER - SKULLOPHENIA NANOS TEMPLATE	501,60
FH NS 2	CRAIG FRASER - DRACO NANOS TEMPLATE	501,60
FH NS 3	NANO SERIES TRUE FIRE SET BY MIKE LAVALLEE	501,60
FH NS 4	ISLAND FX NANO SERIES BY DENNIS MATHEWSON	501,60
FH NS 5	KANJI MOTTO NANO SERIES BY DENNIS MATHEWSON	501,60
FH NS 6	TIKIVILLE NANO SERIES BY DENNIS MATHEWSON	501,60



## MINI SERIES

CODE	DESCRIPTION	SMP*
<b>MINI SERIES</b>		
FH FOR 5 MS	FLAME O RAMA MINI SET	729,60
FH FX3 21 MS	FX3 MINI SERIES BY CRAIG FRASER	1 105,80
FH FX4 28 MS	TEMPLATE FX4 MINISERIES SET BY CRAIG FRASER	1 105,80
FH FXII 14 MS	FXII MINI SET	1 105,80
FH KFX7 MS	KUSTOM FX MINI SET	1037,40
FH KKFX21 MS	KUSTOM KULTURE MINI SET	1037,40
FH KM 7MS	KANJI MASTER MINI SET	991,80
FH PRY 7 MS	TEMPLATE PIRACY ALL SIX MINI SERIES BY CRAIG FRASER	1 915,20
FH PUG MS	PIN UP GIRLIES MINI SET	877,80
FH PUG II MS	PIN UP GIRLIES 2 MINI SET	877,80
FH SG MS	SAILOR GIRLIES MINI SET	877,80
FH SK15 MS	CURSE OF SKULL MINI SET	923,40
FH SK20 MS	RETURN OF SKULL MINI SET	969,00
FH SK24 MS	HORROR OF SKULL MINI SET	991,80
FH SK32 MS	CRAIG FRASER - WRATH OF SKULLMASTER - MINI SERIES	1 208,40
FH SK4 MS	SKULL MASTER MINI SET	638,40
FH SM 4 MS	SPIDER MASTER MINI SET BY CRAIG FRASER	877,80
FH SK9 MS	SON OF SKULL MINI SET	752,40
FH TF1 MS	TEMPLATE TRUE FIRE MINI SERIES	1 231,20
FH SPFX 7 MS	MINI SERIES OF STEAMPUNK	1 322,40
FH TFX 1 MS	TEXTURE FX SET MINI SERIES	501,60
FH TFX 2 MS	TEXTURE FX 2 MINI SERIES	501,60
FH TM 14 MS	TIKI MASTER II MINI SET	991,80
FH TM 7 MS	TIKI MASTER MINI SET	991,80
FH FXII 14 MS	FXII MINI SET V. VIMFHXII14MS	1 105,80
FH FOR2 12 MS	FLAME O RAMA 2 MINI SET	1 105,80
FH VKFX 5 MS	VIKING FX MINI SET BY CRAIG FRASER	752,40
FH SM 4 MS	SPIDER MASTER MINI SET BY CRAIG FRASER	877,80
FH SDSK 4MS	STEAM DRIVEN MINI SERIES SET BY CRAIG FRASER	923,40
FH SPFX2 5MS	STEAMPUNK FX2 MINI SERIES SET BY CRAIG FRASER	969,00
FH PTR5 MS	PATRIOTICA MINI SET	752,40



BOOKS



VIDEOS

CODE	DESCRIPTION	SMP*
<b>UNTIL STOCK LAST</b>		
<b>BOOKS &amp; VIDEO</b>		
FH TF DVD	MIKE LAVALLE'S TRUE FIRE DVD ONLY	1 128,60
FHV 2 DVD	FREEHAND TEMPLATES INSTRUCTIONAL DVD BY BOB SOROKA	1 242,60
MFV DVD 1	MAKEUP FX DVD 70 MINS.	1 641,60
NAV 101	NAIL ART - GETTING STARTED DVD	809,40
VT 010 DVD	BASIC AUTO AIRBRUSHING - P. SHANTEAU	969,00
VT 020 DVD	BASIC TAIL GATE AIRB. - P. SHANTEAU	969,00
VT 030 DVD	BASIC GAS TANK AIRB. - P. SHANTEAU	969,00
VT 040	ULTIMATE AIRBRUSH HANDBOOK BY PAMELA SHANTEAU	1 698,60
VT 060	AUTOMOTIVE CHEAP TRICKS & SPECIAL FX II BY CRAIG FRASER BOOK	1 641,60
VT 070	ROBERT PASCHAL - BASIC AIRBRUSH TECHNIQUES BOOK	627,00
VT 100	BASIC AIRBRUSH TECHNIQUES W/ DAVE MALONE	1 938,00
VT 1000	AIRBRUSH CONCEPTS BY CRAIG FRASER DVD	1 584,60
VT 1200	MIKE LAVALLE'S TRUE FIRE - PART 1 - DVD	1 801,20
VT 1250	MIKE LAVALLE'S TRUE FIRE - PART 2 - DVD	1 801,20
VT 1500	AIRBRUSH FROM SCRATCH BY RAFAEL SCHNEPF DVD	969,00
VT 200	INTERMEDIATE AIRBRUSH TECHNIQUES W/ DAVE MALONE	1 938,00
VT 700	MASTERING SKULL MASTER W/ CRAIG FRASER	1 265,40
VT 800	AIRBRUSH GLASS PAINTING BY RAFAEL SCHNEPF	969,00
VT 800 DVD	AIRBRUSH GLASS PAINTING BY RAFAEL SCHNEPF DVD	969,00
VT 075	BASIC AIRBRUSH TECHNIQUES EXERCISE KIT	542,64

\*SMP = Suggested Market Price • All prices exclude local VAT



## STRETCHmask™

Adhesive-Backed Masking Film



## Artmask™

Adhesive-Backed Masking Film



## FRISKETFILM

FOR AIRBRUSHING, MASKING AND STENCILING



## Hobby Mask™

Adhesive-Backed Masking Film



## ULTRA MASK™

Professional Masking Film For Airbrushing Graphics On Anything!



## CUTTINGRAIL®

Patent No. D360,149



## CUTTING MATS

Double-Colored and Translucent



## HOT MATZ™

GET 2 COLORS IN 1 HOT MAT!



## ARTIST BRIDGE

Patent No. D368,929 Made in U.S.A.



CODE	DESCRIPTION	SMP*
<b>STRETCH MASKS</b>		
F 101	ARTOOL STRETCH MASK 18" X 10 YDS	855,00
F 102	ARTOOL STRETCH MASK 18" X 25 YDS	1 561,80
<b>ART MASKS</b>		
F 201	ARTOOL ART MASK 18" X 10 YDS	855,00
F 202	ARTOOL ART MASK 18" X 25 YDS	2 029,20
<b>MATTE FILM</b>		
F 301	MATTE FILM 10" X 4YD	376,20
F 302	MATTE FILM 14" X 4YD/ 6 PER CARTON	547,20
F 303	MATTE FILM 24" X 4YD/ 4 PER CARTON	969,00
F 304	MATTE FILM 24" X 10YD/ 4 PER CARTON	1 858,20
F 310	MATTE FILM 15" X 10" SHEET 10 / 8 SHEET PACKS	433,20
F 311	MATTE FILM 24" X 20" SHEET 5 / 10 SHEET PACKS	1 345,20
<b>GLOSS FILMS</b>		
F 401	GLOSS FILM 10" X 4YD/ 6 PER CARTON	376,20
F 402	GLOSS FILM 14" X 4YD/ 6 PER CARTON	547,20
F 403	GLOSS FILM 24" X 4YD/ 6 PER CARTON	969,00
F 404	GLOSS FILM 24" X 10YD/ 6 PER CARTON	1 858,20
F 410	GLOSS FILM 15" X 10 SHEET 10 / 8 SHEET PACKS V. VIMF410	433,20
F 411	GLOSS FILM 24" X 20 SHEET 5 / 10 SHEET PACKS V. VIMF411	1 345,20
<b>HOBBY MASKS</b>		
HM 1	ARTOOL HOBBY MASK 6" X 10 YDS	570,00
HM 2 MS	ARTOOL HOBBY MASK MINI SERIES	410,40
<b>ULTRAMASK</b>		
F 501	ARTOOL ULTRAMASK 24" X 5 YDS	2 451,00
F 502	ARTOOL ULTRAMASK 24" X 10 YDS	4 594,20
F 503	ULTRA MASK 9" X 6.5'	1 014,60
F 504	ULTRA MASK SHEETS 9 X11	832,20
<b>CUTTING RAILS</b>		
CR 6	STANDARD 6 INCH CUTTING RAIL	307,80
CR 12	STANDARD 12 INCH CUTTING RAIL	376,20
CR 15	STANDARD 15 INCH CUTTING RAIL	433,20
CR 18	STANDARD 18 INCH CUTTING RAIL	478,80
CR 24	STANDARD 24 INCH CUTTING RAIL	524,40
CR 30	STANDARD 30 INCH CUTTING RAIL	615,60
CR 36	STANDARD 36 INCH CUTTING RAIL	684,00
<b>CUTTERS</b>		
NAT 700	MASKING KNIFE	212,04
NAT 705	MASKING KNIFE BLADES (5 PK)	125,40
NAT 715	MASKING KNIFE BLADES (15 PK)	307,80
<b>CUTTING MATS</b>		
FFCMA1/FT	24" X 36" (60 X 90 CM) TRANSLUCENT	1 767,00
FFCMA2/FT	18" X 24" (45 X 60 CM) TRANSLUCENT	923,40
FFCMA3/FT	12" X 18" (30 X 45 CM) TRANSLUCENT	524,40
FFCMA4/FT	8,5" X 12" (22 X 30 CM) TRANSLUCENT	307,80
FFCMA/10G	24" X 36" (60 X 90 CM) GREEN/BLACK	1 767,00
FFCMA/20G	18" X 24" (45 X 60 CM) GREEN/BLACK	923,40
FFCMA/30G	12" X 18" (30 X 45 CM) GREEN/BLACK	524,40
FFCMA/40G	8.5" X 12" (22 X 30 CM) GREEN/BLACK	307,80
<b>HOT MATZ™</b>		
FFCMA3/BG	HOT MATZ CUTTING MATZ 12" X 18" (30 X 45 CM) BLACK/GREEN	524,40
FFCMA3/PP	HOT MATZ CUTTING MATZ 12" X 18" (30 X 45 CM) PURPLE/PINK	592,80
<b>ARTIST BRIDGES</b>		
MRC 12	CLEAR ACRYLIC ARTIST BRIDGE 12"	433,20
MRC 18	CLEAR ACRYLIC ARTIST BRIDGE 18"	524,40

\*SMP = Suggested Market Price • All prices exclude local VAT







CODE	DESCRIPTION	SMP*
<b>OPAQUE COLORS</b>		
1 001 1	BLACK OPAQUE 1 oz (28 ml)	118,56
1 002 1	WHITE OPAQUE 1 oz (28 ml)	118,56
1 003 1	ULTRAMARINE OPAQUE 1 oz (28 ml)	118,56
1 004 1	PHTHALO BLUE OPAQUE 1 oz (28 ml)	118,56
1 005 1	PHTHALO GREEN OPAQUE 1 oz (28 ml)	118,56
1 006 1	CHROME GREEN OPAQUE 1 oz (28 ml)	118,56
1 007 1	HANSA YELLOW OPAQUE 1 oz (28 ml)	118,56
1 008 1	IRON YELLOW OPAQUE 1 oz (28 ml)	118,56
1 009 1	DINITRILE ORANGE OPAQUE 1 oz (28 ml)	118,56
1 010 1	TOLUEDANE RED OPAQUE 1 oz (28 ml)	118,56
1 011 1	CARMINE OPAQUE 1 oz (28 ml)	118,56
1 012 1	RED OXIDE OPAQUE 1 oz (28 ml)	118,56
1 013 1	MAGENTA OPAQUE 1 oz (28 ml)	118,56
1 014 1	BUMT UMBER OPAQUE 1 oz (28 ml)	118,56
1 015 1	RAW UMBER OPAQUE 1 oz (28 ml)	118,56
1 016 1	VIOLET OPAQUE 1 oz (28 ml)	118,56
1 017 1	DEEP RED OPAQUE 1 oz (28 ml)	118,56
1 018 1	BUMTSIENNA OPAQUE 1 oz (28 ml)	118,56
1 019 1	RAW SIENNA OPAQUE 1 oz (28 ml)	118,56
1 020 1	AZO YELLOW OPAQUE 1 oz (28 ml)	118,56
1 021 1	DIARYL ORANGE OPAQUE 1 oz (28 ml)	118,56
1 022 1	INDIAN RED OPAQUE 1 oz (28 ml)	118,56
1 023 1	COBALT BLUE OPAQUE 1 oz (28 ml)	118,56
1 024 1	QUINACRIDONE RED OPAQUE 1 oz (28 ml)	118,56
1 025 1	CERULEAN BLUE OPAQUE 1 oz (28 ml)	118,56
1 026 1	NAPHTOL DARK RED OPAQUE 1 oz (28 ml)	118,56
1 027 1	LIME GREEN OPAQUE 1 oz (28 ml)	118,56
1 028 1	MAROON OPAQUE 1 oz (28 ml)	118,56
1 029 1	VERMILLION OPAQUE 1 oz (28 ml)	118,56
1 030 1	BRIGHT ORANGE OPAQUE 1 oz (28 ml)	118,56
1 031 1	DEEP YELLOW OPAQUE 1 oz (28 ml)	118,56
1 032 1	AUREOLIAN YELLOW OPAQUE 1 oz (28 ml)	118,56
1 033 1	CITRON YELLOW OPAQUE 1 oz (28 ml)	118,56
1 034 1	VIOLET MADDER OPAQUE 1 oz (28 ml)	118,56
1 035 1	BRIGHT ROSE OPAQUE 1 oz (28 ml)	118,56
1 036 1	BLUE VIOLET OPAQUE 1 oz (28 ml)	118,56
1 037 1	MINERAL BLUE OPAQUE 1 oz (28 ml)	118,56
1 038 1	AZURE BLUE OPAQUE 1 oz (28 ml)	118,56
1 039 1	BLUE GREEN OPAQUE 1 oz (28 ml)	118,56
1 040 1	TURQUOISE OPAQUE 1 oz (28 ml)	118,56
1 041 1	COBALT GREEN HUE OPAQUE 1 oz (28 ml)	118,56
1 042 1	SAP GREEN OPAQUE 1 oz (28 ml)	118,56
1 043 1	MANGANESE VIOLET HUE OPAQUE 1 oz (28 ml)	118,56
1 044 1	PAYNES GREY OPAQUE 1 oz (28 ml)	118,56
<b>OPAQUE COLORS DIFFERENT SIZE</b>		
1 0XX 4	ALL 4 oz OPAQUE COLORS	307,80
1 0XX 16	ALL 16 oz OPAQUE COLORS	1 057,92
1 0XX 32	ALL 32 oz OPAQUE COLORS	1 600,56
1 0XX G	ALL 1 Gallon OPAQUE COLORS	5 173,32



\*SMP = Suggested Market Price • All prices exclude local VAT



CODE	DESCRIPTION	SMP*
<b>PHOTO GRAY COLORS</b>		
5 201 1	NEUTRAL GRAY 60% 1 oz (28 ml)	118,56
5 202 1	NEUTRAL GRAY 50% 1 oz (28 ml)	118,56
5 203 1	NEUTRAL GRAY 40% 1 oz (28 ml)	118,56
5 204 1	NEUTRAL GRAY 30% 1 oz (28 ml)	118,56
5 205 1	NEUTRAL GRAY 20% 1 oz (28 ml)	118,56
5 206 1	NEUTRAL GRAY 10% 1 oz (28 ml)	118,56
<b>PHOTO GRAY COLORS DIFFERENT SIZE</b>		
5 2XX 4	ALL 4 oz PHOTO GRAY COLORS	307,80
5 2XX 16	ALL 16 oz PHOTO GRAY COLORS	1 057,92
5 2XX 32	ALL 32 oz PHOTO GRAY COLORS	1 600,56
5 2XX G	ALL 1 Gallon PHOTO GRAY COLORS	5 173,32
<b>METALLIC COLORS</b>		
1 101 1	OPAQUE COPPER METALLIC 1 oz (28 ml)	118,56
1 102 1	OPAQUE BRONZE METALLIC 1 oz (28 ml)	118,56
1 103 1	OPAQUE SILVER METALLIC 1 oz (28 ml)	118,56
1 104 1	OPAQUE GOLD METALLIC 1 oz (28 ml)	118,56
1 110 1	PEARLESCENT COLORS 1 oz (28 ml)	118,56
1 201 1	REPRO MAGENTA 1 oz (28 ml)	118,56
1 202 1	REPRO CYAN 1 oz (28 ml)	118,56
1 203 1	REPRO YELLOW 1 oz (28 ml)	118,56
1 204 1	REPRO BLACK 1 oz (28 ml)	118,56
<b>METALLIC COLORS DIFFERENT SIZE</b>		
1 1XX 4	ALL 4 oz OPAQUE METALLIC COLORS	307,80
1 1XX 8	ALL 16 oz OPAQUE METALLIC COLORS	1 057,92
1 1XX 32	ALL 32 oz OPAQUE METALLIC COLORS	1 600,56
1 1XX G	ALL 1 Gallon OPAQUE METALLIC COLORS	5 173,32
<b>TRANSPARENT COLORS</b>		
2 001 1	TRANSPARENT BLACK 1 oz (28 ml)	118,56
2 002 1	TRANSPARENT SMOKE 1 oz (28 ml)	118,56
2 003 1	TRANSPARENT ULTRAMARINE 1 oz (28 ml)	118,56
2 004 1	TRANSPARENT ROYAL BLUE 1 oz (28 ml)	118,56
2 005 1	TRANSPARENT EMERALD GREEN 1 oz (28 ml)	118,56
2 006 1	TRANSPARENT KELLY GREEN 1 oz (28 ml)	118,56
2 007 1	TRANSPARENT MOSS GREEN 1 oz (28 ml)	118,56
2 008 1	TRANSPARENT FOREST GREEN 1 oz (28 ml)	118,56
2 009 1	TRANSPARENT CADMIUM YELLOW 1 oz (28 ml)	118,56
2 010 1	TRANSPARENT PALE YELLOW 1 oz (28 ml)	118,56
2 011 1	TRANSPARENT BRIGHT YELLOW 1 oz (28 ml)	118,56
2 012 1	TRANSPARENT BUMT ORANGE 1 oz (28 ml)	118,56
2 013 1	TRANSPARENT ORANGE 1 oz (28 ml)	118,56
2 014 1	TRANSPARENT OCHRE 1 oz (28 ml)	118,56
2 015 1	TRANSPARENT ROSE 1 oz (28 ml)	118,56
2 016 1	TRANSPARENT BRIGHT RED 1 oz (28 ml)	118,56
2 017 1	TRANSPARENT SIENNA BROWN 1 oz (28 ml)	118,56
2 018 1	TRANSPARENT VIOLET 1 oz (28 ml)	118,56
2 019 1	TRANSPARENT VERMILLION 1 oz (28 ml)	118,56
2 020 1	TRANSPARENT CARMINE 1 oz (28 ml)	118,56
2 021 1	TRANSPARENT MAGENTA 1 oz (28 ml)	118,56
2 022 1	TRANSPARENT MANGANESE VIOLET HUE 1 oz (28 ml)	118,56
2 023 1	TRANSPARENT PHTHALO BLUE 1 oz (28 ml)	118,56
2 024 1	TRANSPARENT VIRIDIAN 1 oz (28 ml)	118,56
2 025 1	TRANSPARENT MAY GREEN 1 oz (28 ml)	118,56

\*SMP = Suggested Market Price • All prices exclude local VAT

CODE	DESCRIPTION	SMP*
<b>TRANSPARENT COLORS DIFFERENT SIZE</b>		
2 0XX 4	ALL 4 oz TRANSPARENT COLORS	307,80
2 0XX 16	ALL 16 oz TRANSPARENT COLORS	1 057,92
2 0XX 32	ALL 32 oz TRANSPARENT COLORS	1 600,56
2 0XX G	ALL 1 Gallon TRANSPARENT COLORS	5 173,32
<b>SPECIALITY COLORS</b>		
9 100 4	MATTE VARNISH 4 oz	189,24
9 200 4	GLOSS VARNISH 4 oz	189,24
1 000 1	COM ART MEDIUM 1 oz	118,56
1 000 4	COM ART MEDIUM 4 oz	307,80
<b>UNTIL STOCKS LAST</b>		
3 050 02 ***	DENIM BASE 2 oz (56 ml)	141,36
3 051 02 ***	TOP COAT 2 oz (56 ml)	141,36
<b>COLOR KITS</b>		
8 100 1	KIT A OPAQUE PRIMARY	729,60
8 100 2	KIT B OPAQUE SECONDARY	729,60
8 100 5	KIT E TRANSPARENT PRIMARY	729,60
8 100 6	KIT F TRANSPARENT SECONDARY	729,60
8 100 7	KIT G OPAQUE / TRANSPARENT	729,60
8 100 8H	KIT H B&W GRAY SET	729,60
8 100 14	STEVE DRISCOLL FLESH TONE SET	918,84
8 100 17	COM-ART CREATURE PAINT SET BY STEVE ROJAS	918,84
8 100 16	REAL DEAL SCENERY SET	918,84
8 100 15	REAL DEAL WEATHERING SET	918,84
<b>UNTIL STOCKS LAST</b>		
<b>TEXTILE OPAQUE COLORS</b>		
3 110 02	WHITE OPAQUE 2 oz (56 ml)	141,36
3 111 02	TINTING WHITE 2 oz (56 ml)	141,36
3 120 02	BLACK OPAQUE 2 oz (56 ml)	141,36
3 130 02	RED OPAQUE 2 oz (56 ml)	141,36
3 131 02	PINK OPAQUE 2 oz (56 ml)	141,36
3 150 02	YELLOW OPAQUE 2 oz (56 ml)	141,36
3 160 02	GREEN OPAQUE 2 oz (56 ml)	141,36
3 161 02	AQUA GREEN OPAQUE 2 oz (56 ml)	141,36
3 170 02	BLUE OPAQUE 2 oz (56 ml)	141,36
3 180 02	VIOLET OPAQUE 2 oz (56 ml)	141,36
3 100 2	1 oz TEXTILE KIT	494,76
<b>TEXTILE OPAQUE COLORS DIFFERENT SIZE</b>		
3 1XX 04	All 4 oz opaque textile colors	205,20
3 1XX 16	All 16 oz opaque textile colors	456,00
3 1XX 32	All 32 oz opaque textile colors	870,96
3 1XX G	All 1 Gallon opaque textile colors	2 462,40
<b>TEXTILE STANDARD COLORS</b>		
3 230 02	DEEP RED 2 oz (56 ml)	141,36
3 231 02	VIBRANT RED 2 oz (56 ml)	141,36
3 232 02	MAGENTA 2 oz (56 ml)	141,36
3 233 02	RED OXIDE 2 oz (56 ml)	141,36
3 234 02	VERMILLION 2 oz (56 ml)	141,36
3 240 02	ORANGE 2 oz (56 ml)	141,36
3 241 02	TIGER ORANGE 2 oz (56 ml)	141,36
3 250 02	YELLOW 2 oz (56 ml)	141,36
3 251 02	GOLDEN YELLOW 2 oz (56 ml)	141,36
3 252 02	YELLOW OCHRE 2 oz (56 ml)	141,36
3 260 02	LEAF GREEN 2 oz (56 ml)	141,36
3 261 02	PHTHALO GREEN 2 oz (56 ml)	141,36
3 262 02	AQUA GREEN 2 oz (56 ml)	141,36
3 263 02	LIME GREEN 2 oz (56 ml)	141,36
3 270 02	DEEP BLUE 2 oz (56 ML)	141,36

\*SMP = Suggested Market Price • All prices exclude local VAT





CODE	DESCRIPTION	SMP*
<b>TEXTILE STANDARD COLORS</b>		
3 271 02	ULTRAMARINE BLUE 2 oz (56 ml)	141,36
3 272 02	PHTHALO BLUE 2 oz (56 ml)	141,36
3 273 02	TORQUOISE 2 oz (56 ml)	141,36
3 274 02	GULF BLUE 2 oz (56 ml)	141,36
3 280 02	HELIOTROPE VIOLET 2 oz (56 ml)	141,36
3 281 02	VIBRANT VIOLET 2 oz (56 ml)	141,36
3 282 02	VIBRANT BLUE VIOLET 2 oz (56 ml)	141,36
3 290 02	DEEP BROWN 2 oz (56 ml)	141,36
3 291 02	LIGHT BROWN 2 oz (56 ml)	141,36
<b>TEXTILE STANDARD COLORS DIFFERENT SIZE</b>		
3 2XX 04	ALL 4 oz STANDARD TEXTILE COLORS	205,20
3 2XX 16	ALL 16 oz STANDARD TEXTILE COLORS	456,00
3 2XX 32	ALL 32 oz STANDARD TEXTILE COLORS	870,96
3 2XX G	ALL 1 Gallon STANDARD TEXTILE COLORS	2 462,40
<b>TEXTILE FLUORESCENT COLORS</b>		
3 330 02	DEEP RED FLUORESCENT 2 oz (56 ml)	141,36
3 331 02	PINK FLUORESCENT 2 oz (56 ml)	141,36
3 332 02	MAGENTA FLUORESCENT 2 oz (56 ml)	141,36
3 340 02	ORANGE FLUORESCENT 2 oz (56 ml)	141,36
3 350 02	YELLOW FLUORESCENT 2 oz (56 ML)	141,36
3 351 02	GOLDEN YELLOW FLUORESCENT 2 oz (56 ml)	141,36
3 360 02	GREEN FLUORESCENT 2 oz (56 ml)	141,36
3 370 02	BLUE FLUORESCENT 2 oz (56 ml)	141,36
3 380 02	VIOLET FLUORESCENT 2 oz (56 ml)	141,36
<b>TEXTILE FLUORESCENT COLORS DIFFERENT SIZE</b>		
3 3XX 04	ALL 4 oz FLUORESCENT TEXTILE COLORS	205,20
3 3XX 16	ALL 16 oz FLUORESCENT TEXTILE COLORS	542,64
3 3XX 32	ALL 32 oz FLUORESCENT TEXTILE COLORS	941,64
3 3XX G	ALL 1 Gallon FLUORESCENT TEXTILE COLORS	2 462,40
<b>TEXTILE METALLIC COLORS</b>		
3 401 02	GOLD METALLIC 2 oz (56 ml)	141,36
3 402 02	SILVER METALLIC 2 oz (56 ml)	141,36
3 403 02	COPPER METALLIC 2 oz (56 ml)	141,36
3 404 02	BRONZE METALLIC 2 oz (56 ml)	141,36
<b>TEXTILE METALLIC COLORS DIFFERENT SIZE</b>		
3 4XX 04	ALL 4 oz METALLIC TEXTILE COLORS	237,12
3 4XX 16	ALL 16 oz METALLIC TEXTILE COLORS	542,64
3 4XX 32	ALL 32 oz METALLIC TEXTILE COLORS	941,64
3 4XX G	ALL 1 Gallon METALLIC TEXTILE COLORS	2 462,40
<b>TEXTILE GRAY COLORS</b>		
3 560 02	SMOKE GRAY 2 OZ (56 ml)	141,36
3 570 02	WARM GRAY 2 OZ (56 ml)	141,36
3 580 02	COOL GRAY 2 OZ (56 ml)	141,36
<b>TEXTILE GRAY COLORS DIFFERENTS SIZE</b>		
3 5XX 04	ALL 4 oz GRAY TEXTILE COLORS	205,20
3 5XX 16	ALL 16 oz GRAY TEXTILE COLORS	542,64
3 5XX 32	ALL 32 oz GRAY TEXTILE COLORS	941,64
3 5XX G	ALL 1 Gallon GRAY TEXTILE COLORS	2 462,40

\*SMP = Suggested Market Price • All prices exclude local VAT

CODE	DESCRIPTION	SMP*
<b>BODY ART TEMPLATE</b>		
NBD 351	BODY ART - COSMIC SET	542,64
NBD 352	BODY ART - KANJI CHARACTERS	542,64
NBD 353	BODY ART - SEA LIFE	542,64
NBD 354	BODY ART - BIRDS	542,64
NBD 355	BODY ART - MIDRIFF MADNESS	542,64
NBD 356	BODY ART - FUN STUFF	542,64
NBD 357	BODY ART - SOUTHWEST	542,64
NBD 358	BODY ART - MACHO	542,64
NBD 359	BODY ART - FEMININE	542,64
NBD 360	BODY ART - FLOWERS	542,64
NBD 361	BODY ART - ALPHABET AND NUMBERS	542,64
NBD 371	BODY ART - INSTANT HENNA I	542,64
NBD 372	BODY ART - INSTANT HENNA II	542,64
NBD 373	BODY ART - INSTANT HENNA III	542,64
NBD 401	BODY ART - PROFESSIONAL APPLICATION KIT	542,64
<b>BODY ART ACCESSORIES</b>		
NBD 410	BODY ART - COTTON PADS ( 80 pcs.)	141,36
NBD 415	BODY ART - 4 oz PUMP BOTTLE W/70% ISOPROPYL ALCOHOL	166,44
NBD 420	BODY ART - 16 oz 70% ISOPROPYL ALCOHOL	212,04
NBD 425	BODY ART - 2 oz SETTING POWDER	141,36
NBD 430	BODY ART - CLIENT CARE CARDS 100 pk.	141,36



\*SMP = Suggested Market Price • All prices exclude local VAT



CODE	DESCRIPTION	SMP*
<b>NAIL ART ACCESSORIES</b>		
NAS 601	NAIL ART - NAIL MASTER 1 - NAIL ART CURVES	259,92
NAS 602	NAIL ART - NAIL MASTER 2 - FREHAND SHAPES	259,92
NAS 603	NAIL ART - NAIL MASTER 3 - FREHAND SHAPES II	259,92
NAS 604	NAIL ART - NAIL MASTER 4 - FRENCH MANICURE	259,92
NAS 606	NAIL ART - NAIL MASTER 6 - EDGE FX	259,92
NAS 607	NAIL ART - NAIL MASTER 7 - EDGE FX II	259,92
NAS 608	NAIL ART - NAIL MASTER 8 - THE SWIRL	259,92
NAS 609	NAIL ART - NAIL MASTER 9 - KANJI	259,92
NAS 620	NAIL ART - NAIL MASTER 3-PACK (1,2,3)	848,16
NAS 630	NAIL ART - NAIL MASTER 3-PACK (4,5,6)	848,16
NAS 640	NAIL ART - NAIL MASTER 3-PACK (7,8,9)	848,16
NAS 800	NAIL ART - BLANK MASKS (10 SHEETS/PACK)	141,36
NAS 801	NAIL ART - ASSORTED DESIGN MASTS (100 PCS.)	259,92
NAS 802	NAIL ART - DESIGN MASK - SAILS (100 PCS.)	259,92
NAS 804	NAIL ART - DESIGN MASK - WHEAT (100 PCS.)	259,92
NAS 805	NAIL ART - DESIGN MASK - LIGHTNING (100 PCS.)	259,92
NAS 806	NAIL ART - DESIGN MASK - DELTAG (100 PCS.)	259,92
NAS 807	NAIL ART - TEXTURE KIT	212,04
NAS 812	NAIL ART - FRENCH ADORNMENT (200 PCS.)	237,12
NAS 813	NAIL ART - ETHNIC FRENCH SET 2 (200 PCS.)	237,12
NAS 815	NAIL ART - MYSTIC ORIENT SET (200 PCS.)	237,12
NAS 816	NAIL ART - MYSTIC ORIENT SET 2 (200 PCS.)	237,12
NAS 817	NAIL ART - FEMME FATALE (200 PCS.)	237,12
NAS 850	NAIL ART - ANIMALS	237,12
NAS 851	NAIL ART - FUN STUFF	237,12
NAS 852	NAIL ART - FLOWER FX	237,12
NAS 853	NAIL ART - FANTASTIC FRENCH MANICURE 2	237,12
NAS 854	NAIL ART - FANTASTIC FRENCH MANICURE 11	237,12
NAS 855	NAIL ART - FANTASTIC FRENCH MANICURE 12	237,12
NAS 856	NAIL ART - FANTASTIC FRENCH MANICURE 14	237,12
NAS 861	NAIL ART - HOT WHEEL	237,12
NAS 864	NAIL ART - JUNGLE PRING	237,12
NAS 865	NAIL ART - EGYPTIAN	237,12
NAS 870	NAIL ART - CHRISTMAS	212,04
NAS 872	NAIL ART - EASTER-VALENTINE	212,04
NAS 874	NAIL ART - 4TH OF JULY	212,04
NAS 876	NAIL ART - HALLOWEEN	212,04
NAS 880	NAIL ART - TROPICAL	212,04
NAS 882	NAIL ART - WESTERN	212,04
NAS 884	NAIL ART - SPECIAL OCCASIONS / VEGAS	212,04
NAS 886	NAIL ART - FLORAL	212,04
NAS 892	NAIL ART - COSMOS	212,04
NAS 897	NAIL ART - STENCIL 3-PACK (888,890,892)	588,24
NAS 898	NAIL ART - STENCIL 3-PACK (886,884,880)	588,24
NAS 899	NAIL ART - HOLIDAY 4-PACK (870,872,874,876)	777,48
NAT 501	NAIL ART - 1 OZ. EMPTY BOTTLE W/LID	47,88
NAZ 500	NAIL ART DISPLAY NAIL TIPS (10 TIPS WITH PINS)	212,04
NAZ 505	NAIL ART DISPLAY CASE FOR NAIL TIPS	636,12
NAZ 510	NAIL ART - FINGER RESTS	95,76

\*SMP = Suggested Market Price • All prices exclude local VAT

# MODULAR PAINT HOLDERS

# MEDEA

**COM•ART**  
colours  
for Airbrush & Paintbrush

Modular display stands for 1 oz (28 ml) colours are perfect for displaying the complete range of ACRYLIC PAINTS and MEDEA NAIL ART PAINTS in any shop or retail outlet

The stands are available as single rack, capable of holding up to 70 colours ( 14 rows), and can be stocked up ( maximum of 6 racks) to create a display stand with a total capacity of 420 colours.

The stands are finished in powder metal, which means that they are particularly resistant and hard wearing.

They are available with a full supply of colours included, upon request.



## MAGNETIC DISPLAY for AIRBRUSHES and STENCILS

Item Code: VTEC0003

Net Price: ask for quotation

Each display includes:

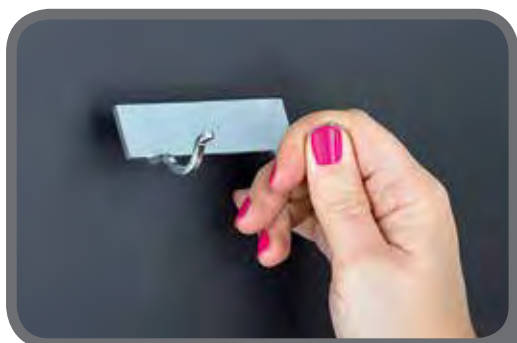
- 14 HOOKS for AIRBRUSH
- 4 HOOKS for STENCILS

Dimensions: 190x50x50 cm  
Packaging dim. : 52x104x16,5 cm

Weight: KG 23,00



Magnetic crowner  
customizable on demand



Movable magnetic airbrush hook





# TABLE TOP AIRBRUSH DISPLAY

Item Code: VTEC0002

Net Price: ask for quotation

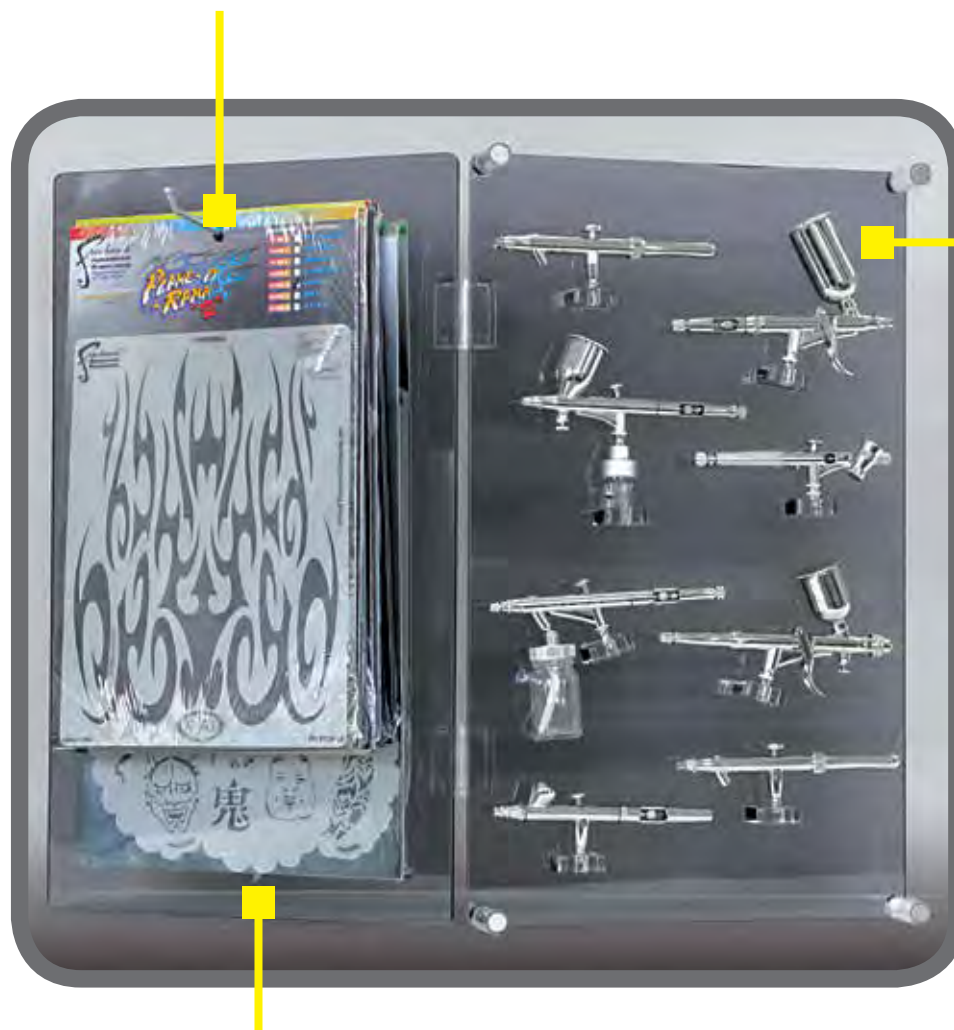
Display consisting of two panels on a plexiglass structure.

Suitable for small areas. It is possible to create practical and flexible display angles.

Dimensions: H 49 cm x L 30 cm (closed)

H 49 cm x L 60 cm (opened)

metal hook for Artool Stencils



magnetic  
anti-theft cover

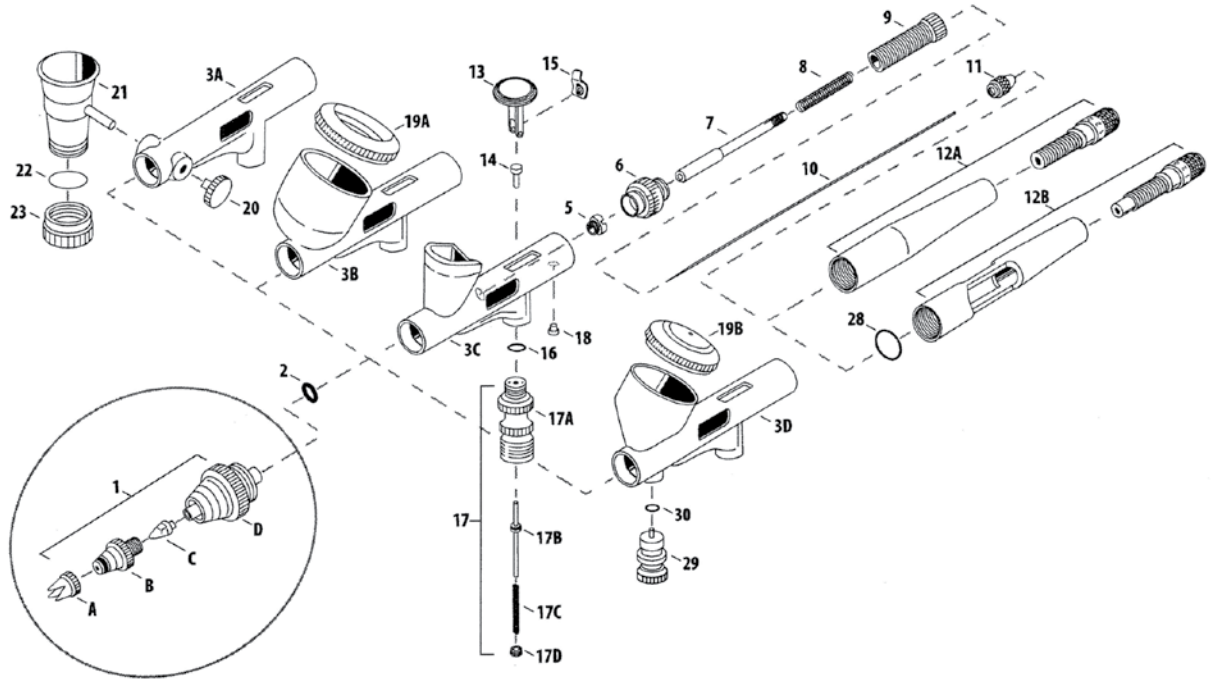
plexiglass structure





## Custom Micron

*Absolute Precision for the Elite Professional*



### Custom Micron CM-C Plus / CM-C / CM-B / CM-SB

CODE	DESCRIPTION	MODEL	REF.	SMP*
I 535 1	Fluid Head System 0.18 mm	HP-CM B/SB	1	4 443,72
I 535 2	Fluid Head System 0.23 mm	HP-CM C/CP	1	4 443,72
I 535 1D	Needle Crown Cap	HP-CM B/C/SB/CP	1A	542,64
I 535 1C	Nozzle Cap	HP-CM B/SB	1B	1 057,92
I 535 2C	Nozzle Cap 0.23 mm	HP-CM C/CP	1B	1 057,92
I 535 1B	Fluid Nozzle 0.18 mm	HP-CM B/SB	1C	1 600,56
I 535 2B	Nozzle Set 0.23 mm	HP-CM C/CP	1C	1 600,56
I 535 1A	Head Cap	HP-CM B/C/SB/CP	1D	2 868,24
I 580 2	O Ring	HP-CM B/C/SB/CP	2	353,40
-	Gun Body	All Models	3 A-B-C-D	N.A.
I 580 3	Fluid Needle Packing	HP-CM B/C/SB	4	259,92
I 565 1	Needle Packing Screw	HP-CM B/C/SB	5	353,40
I 590 2	Needle Packing Set (Ptfе)	HP-CM CP	5A	542,64
I 590 1	Spring Guide	HP-CM B/C/SB/CP	6	729,60
I 550 1	Needle Chucking Guide	HP-CM B/C/SB/CP	7	681,72
I 570 1	Needle Spring	HP-CM B/C/SB/CP	8	259,92
I 575 1	Needle Spring Adj.	CM B/C/SB/CP	9	823,08
I 540 1	Fluid Needle 0.18 mm	HP-CM B/SB	10	681,72
I 540 2	Fluid Needle 0.23 mm	HP-CM C	10	681,72
I 540 3	Needle Set 0.23 mm	HP-CM CP	10	681,72
I 560 1	Needle Chucking Nut	HP-CM B/C/SB/CP	11	259,92
I 585 2	Preset Cap Handle Set	HP-CM CP	12B	1 600,56
I 585 1	Preset Cap Handle Set	HP-CM B/C/SB	12A	1 552,68
I 545 1	Main Lever	HP-CM B/SB	13	918,84
I 545 2	Main Lever	HP-CM C/CP	13	918,84

CODE	DESCRIPTION	MODEL	REF.	SMP*
I 500 1	Air Piston	HP-CM B/C/SB/CP	14	259,92
I 515 1	Auxiliary Lever	HP-CM B/C/SB/CP	15	259,92
I 580 1	O Ring (2 Pcs.)	HP-CM B/C/SB/CP	16	259,92
I 510 1	Air Valve Set	HP-CM B/C/SB/CP	17	1 552,68
I 510 4	Air Valve Spring	HP-CM B/C/SB/CP	17C	259,92
I 510 3	Air Valve Guide	HP-CM B/C/SB/CP	17D	282,72
I 555 1	Needle Chucking Guide Screw	HP-CM B/C/SB/CP	18	259,92
I 530 1	Lid Cup 20Cc	HP-CM C	19A	681,72
I 618 1	Lid Cup	HP-CM CP	19B	353,40
I 045 2	Blanking Cover	HP-CM SB	20	166,44
I 070 3	Side Cup 1/8 Oz.	HP-CM SB	21	1 057,92
I 070 4	Side Cup W/Lid 1/4 Oz.	HP-CM SB	21	1 057,92
I 150 5	Lower Lid Packing	HP-CM SB	22	166,44
I 095 6	Lower Lid 1/8 Oz.	HP-CM SB	23	282,72
I 095 7	Lower Lid 1/4 Oz.	HP-CM SB	23	259,92
I 605 1	Handle Packing (O Ring)	HP-CM CP	28	166,44
I 190 1	Air Control Valve	HP-CM CP	29	542,64
I 190 2	O Ring	HP-CM CP	30	166,44
I 165 1	Spanner	HP-CM B/C/SB/CP	45	166,44
I 160 3	Quick Fit Set (Qd & Adaptor)	HP-CM B/C/SB/CP	opt.	471,96
I 160 4	QUICK FIT ADAPTOR	HP-CM B/C/SB/CP	opt.	212,04
J 001	Adaptor (Iwata Airbrushes To Paasche Air Hose)	HP-CM B/C/SB/CP	opt.	282,72
J 002	Adaptor (Iwata Airbrushes To T&C/Badger Air Hoses)	HP-CM B/C/SB/CP	opt.	282,72







## HEADQUARTER:

### **ANEST IWATA Corporation**

Yokohama - JAPAN

[www.anest-iwata.co.jp](http://www.anest-iwata.co.jp)

## AFRICA:

### **ANEST IWATA South Africa Pty Ltd.**

Contact: +27 (0)11 463 2169  
Block B, Ground Floor,  
St. Andrews Office Complex  
Meadowbrook Lane,  
Epsom Downs, Johannesburg  
[www.anest-iwata.co.za](http://www.anest-iwata.co.za)

## EUROPE:

### **ANEST IWATA Italia S.r.l.**

Torino - ITALY  
[info@anest-iwata.it](mailto:info@anest-iwata.it) - [www.anest-iwata.it](http://www.anest-iwata.it)  
[www.airbrush-iwata.it](http://www.airbrush-iwata.it)

### **ANEST IWATA Deutschland GmbH**

Leipzig - GERMANY  
[info@anest-iwata.de](mailto:info@anest-iwata.de) - [www.anest-iwata.de](http://www.anest-iwata.de)  
[www.airbrush-iwata.de](http://www.airbrush-iwata.de)

### **ANEST IWATA France S.A.**

Saint Quentin Fallavier, Lyon - FRANCE  
[info@anest-iwata.fr](mailto:info@anest-iwata.fr) - [www.anest-iwata.fr](http://www.anest-iwata.fr)  
[www.airbrush-iwata.fr](http://www.airbrush-iwata.fr)

### **ANEST IWATA U.K. Ltd.**

St. Neots Cambridgeshire - ENGLAND  
[enquiries@anest-iwata.co.uk](mailto:enquiries@anest-iwata.co.uk)  
[www.anest-iwata.co.uk](http://www.anest-iwata.co.uk)

### **ANEST IWATA Iberica S.L.**

Badalona, Barcelona - SPAIN  
[info@anest-iwata.es](mailto:info@anest-iwata.es)  
[www.anest-iwata.es](http://www.anest-iwata.es)

### **ANEST IWATA Scandinavia AB.**

Partille, Göteborg - SWEDEN  
[info@anest-iwata.se](mailto:info@anest-iwata.se)  
[www.anest-iwata.se](http://www.anest-iwata.se)

### **ANEST IWATA Polska Sp. z o.o.**

Poznań - POLAND  
[info@anestiwata.com.pl](mailto:info@anestiwata.com.pl)  
[www.anest-iwata.pl](http://www.anest-iwata.pl)

## NORTH AMERICA:

### **ANEST IWATA USA Inc.**

West Chester - Ohio - U.S.A.  
[inquiry@anestiwata.com](mailto:inquiry@anestiwata.com)  
[www.anestiwata.com](http://www.anestiwata.com)

## SOUTH AMERICA:

### **ANEST IWATA DO BRASIL COMERCIAL Ltda.**

Sao Paulo - BRAZIL  
[contato@anest-iwata.net.br](mailto:contato@anest-iwata.net.br)  
[www.anest-iwata.net.br](http://www.anest-iwata.net.br)

## AUSTRALIA:

### **ANEST IWATA Australia Pty Ltd.**

Sidney - AUSTRALIA  
[info@anest-iwata.com.au](mailto:info@anest-iwata.com.au)  
[www.anest-iwata.com.au](http://www.anest-iwata.com.au)

## ASIA:

### **ANEST IWATA Coating Solutions Corporation**

Yokohama - JAPAN  
[www.anest-iwataeu.co.jp](http://www.anest-iwataeu.co.jp)

### **ANEST IWATA Middle East FZE**

Dubai - UNITED ARAB EMIRATES  
[info@anest-iwata-me.com](mailto:info@anest-iwata-me.com)  
[www.anest-iwataeu.com](http://www.anest-iwataeu.com)

### **ANEST IWATA Motherson Coating Equipment Ltd.**

Noida - INDIA  
[sales@aim.motherson.com](mailto:sales@aim.motherson.com)  
[www.motherson.com/anest-iwata-motherson.html](http://www.motherson.com/anest-iwata-motherson.html)

### **ANEST IWATA Russia LLC**

Moscow - RUSSIA  
[tam@anestiwata.ru](mailto:tam@anestiwata.ru)  
[www.anestiwata.ru](http://www.anestiwata.ru)

### **ANEST IWATA Shanghai Corporation**

Shanghai - CHINA  
[customer@anest-iwata-sh.com](mailto:customer@anest-iwata-sh.com)  
[www.anest-iwata-sh.com](http://www.anest-iwata-sh.com)

### **ANEST IWATA Taiwan Corporation**

Hu-Kuo - TAIWAN R.O.C.  
[service@anestiwata.com.tw](mailto:service@anestiwata.com.tw)  
[www.anestiwata.com.tw](http://www.anestiwata.com.tw)

### **ANEST IWATA Vietnam CO. Ltd.**

Ho Chi Minh City - VIETNAM  
[info@anest-iwata.vn](mailto:info@anest-iwata.vn)  
[www.anest-iwatasoutheastasia.com](http://www.anest-iwatasoutheastasia.com)

### **PT. ANEST IWATA Indonesia**

Jakarta - INDONESIA  
[www.anest-iwatasoutheastasia.com](http://www.anest-iwatasoutheastasia.com)

### **ANEST IWATA Southeast Asia CO. Ltd.**

Bangkok - THAILAND  
[info@anest-iwata.co.th](mailto:info@anest-iwata.co.th)  
<http://www.anest-iwatasoutheastasia.com>

[www.airbrush-iwata.com](http://www.airbrush-iwata.com)



PRICE  
LIST  
2018

