

## **Project-Based Learning of Digital Logic Circuit Design**

### **Dr. Dugwon Seo, Queensborough Community College**

Dr. Dugwon Seo is an assistant professor in Engineering Technology Department at Queensborough Community College. Dr. Seo has been teaching engineering technology courses including digital circuit, computer applications, computer-aided analysis, and renewable energy. Her research interest includes various renewable energy, digital circuit system, remote sensing, and technology education.

### **Danny Mangra, Queensboro Community College**

STEM Faculty Coordinator Engineering Technology

# **Project-Based Learning of Digital Logic Circuit Design**

**Dugwon Seo, Ph.D. and Danny Mangra**

*Queensborough Community College, City University of New York  
Department of Engineering Technology  
222-05 56th Avenue  
Bayside, NY 11364*

## **Abstract**

Digital Logic Design is a fundamental course in both Computer and Electrical Engineering Technology fields and as such it is important for the course to provide students with a good understanding and continuous interest. Project-based learning allows students to gain knowledge by solving real-world problems and helps to develop critical thinking and self-management skills. In this paper, a description of the effective and innovative logic circuit design project is presented, which is to design a logic circuit to control a motorized device that moves by a signal from photocell sensors. The project exercises using Boolean logic functions, constructing a truth table, and assembling the logic gates. In addition to digital electronics understanding, the project delivers interdisciplinary features that bring knowledge of mechanics, circuit analysis, and 3-D printer use. Through the practice of the student-driven project-based learning method, the students are expected to succeed in their transitions to higher-degree education.

## **Keywords**

Digital circuit, Logics, Project based learning, Photocell

## **Introduction**

Digital Logic Design and Electronics Circuit Analysis are fundamental courses in both computer and electrical engineering fields in which it is important for the course to provide student with a good understanding and continuous interest. In the Department of Engineering Technology in Queensborough Community College (City University of New York), 'Digital Theory' course is offered in the first year as a mandatory course for the students in the major of Electrical Engineering Technology and Computer Engineering Technology, thus, it is important to have a high rate of retention from this course. In this course, fundamental logic concepts are introduced including number systems, Boolean algebra, memory elements, logic elements, timing elements, digital logic gates and so on. In this paper, a description of the interesting and innovative designing logic circuit project is presented which can apply to community college students in Electrical and Computer Engineering Technology fields. Project-Based Learning (PBL) provides students the ability to gain knowledge and skills by working to investigate and respond to a complex question, problem or challenge in real-world scenarios ([www.bie.org](http://www.bie.org)). The goal of PBL is to develop and enhance student learning by encouraging critical thinking, problem solving, teamwork and self-management. It has been emphasized by previous study (Han et al.<sup>1</sup>) that student-driven,

interdisciplinary, collaborative, and technology based learning method aid the effectiveness of the PBL, particularly, in STEM (Science, Technology, Engineering and Mathematics) education.

Participation to the project of all the students who take the course, ‘Digital Theory’ and ‘Electronics Circuit Analysis’ is ideal. However, since it was first time introducing the project to the students in the Spring 2017 semester in Queensborough Community College, three selected students participated as part of an Honor’s project. The project is to design the logic circuit to control a motorized device that moves by the signal from photocell sensors. The project exercises Boolean logic functions, conducting a truth table and assembling the logic gates to design the circuit that transmits the signals between photocell sensors and two motors. Photocell sensors convert light energy to the electric energy. The LED strip lights will represent the road track similar to a highway lane. The photocell sensors connected in the designed circuit of the vehicle will sense the light, send the signals to the circuit, and trigger the motors to spin by following the logics. The design logic circuit makes the decision which path the vehicle should take. It will self-correct the direction by spinning left motor only, right motor only or both motors. In addition to a practical understanding of digital electronics, this project delivers interdisciplinary features that bring the knowledge of the mechanics, circuit analysis and statistics to the students.

### **Logics and Truth Table**

The main objective of the project is to design the digital circuit system of the vehicle with two photocell sensors, which work as inputs. Each side (right of left) of that sensor circuit which communicate with each motor to output the signals so the vehicle can correct the direction along the track and drive. The track is outlined by two LED strip lights, as an input source, on both ends adhered on the ground about one feet apart. For instance, when the vehicle is close to the LED strip lights on the right-side track, the right side of the photocell sensor detects the bright lights, and it sends a positive signal to the left motor. That is, the input of the left photocell logic is 0 (off) because the left sensor does not detect the light and the right photocell logic is 1 (on). The output of the left and right motors in this case are represented as logics 1 and 0 respectively, which makes only the left motor spins to steer to the left side moving away from the right side of LED strip. Once the vehicle moves off the light, the both sides of the motors will operate and the vehicle would move straight forward until it encounters another LED strip light. In the case of the left side, the opposite would happen. The left sensor detects the LED strip light on the left side track. Thus, only the right motor will run to make the vehicle to steer to the right side. Since two LED strips are far (about 30 cm) apart, both the left and right photocell will not detect the light at the same time. However, it can be defined as negative output for both motors to follow the logics and therefore the vehicle will stop moving.

Students will be asked to construct a truth table to follow this logic description as a first step of the project. Through this practice, students will gain a great understanding of the input and output logics as well as vector concepts in mechanics. Once truth table is constructed shown as Table 1, students can write the Boolean equation for each left and right motor.

Table 1: Truth table of self-correcting vehicle logic circuit

Input		Output		Direction
1= light detected 0= light not detected		1= motor runs 0= motor stops		
Left photocell	Right photocell	Left motor	Right motor	
0	0	1	1	Forward
0	1	1	0	Left
1	0	0	1	Right
1	1	0	0	Stop (Invalid)

Two equations can be written derived from the truth table with respect to each left and right motor. Suppose left and right motors are  $X_L$  and  $X_R$  respectively and input of left and right photocells are A and B respectively. Boolean equations can be written as

$$X_L = \bar{A}\bar{B} + \bar{A}B$$

$$X_R = \bar{A}\bar{B} + A\bar{B}$$

These Boolean equations can be further simplified applying De Morgan's law. However, in this paper, the circuits were built based on the above equations. After students wrote the Boolean equations, they were asked to draw a logic gate circuit. This step is a key part of the project that associates with a logic circuit designing. Figure 1 shows the logic design from the Boolean equations above.

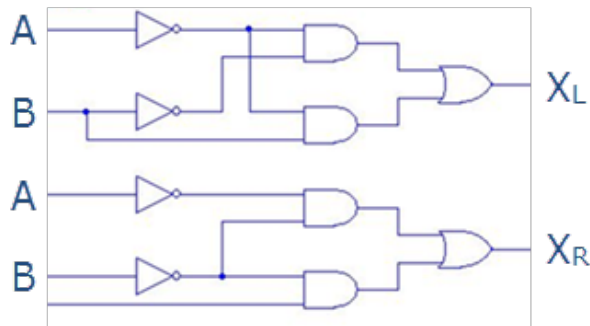


Figure 1: Logic gate schematics for left and right motors

National Instrument (NI) Multisim software provides the electronic circuit simulation platform with virtual and practical components. The NI Multisim program is widely being used in industrial and academic fields in electronics, thus, training the students with the skills of the program will benefit their technical career development. The circuit diagram of the project drawn in Multisim is shown in Figure 2. Multisim also allows the virtual simulation of the circuit, which helps for troubleshooting errors and improving circuit design as well as giving the visual understanding of the circuit structure.

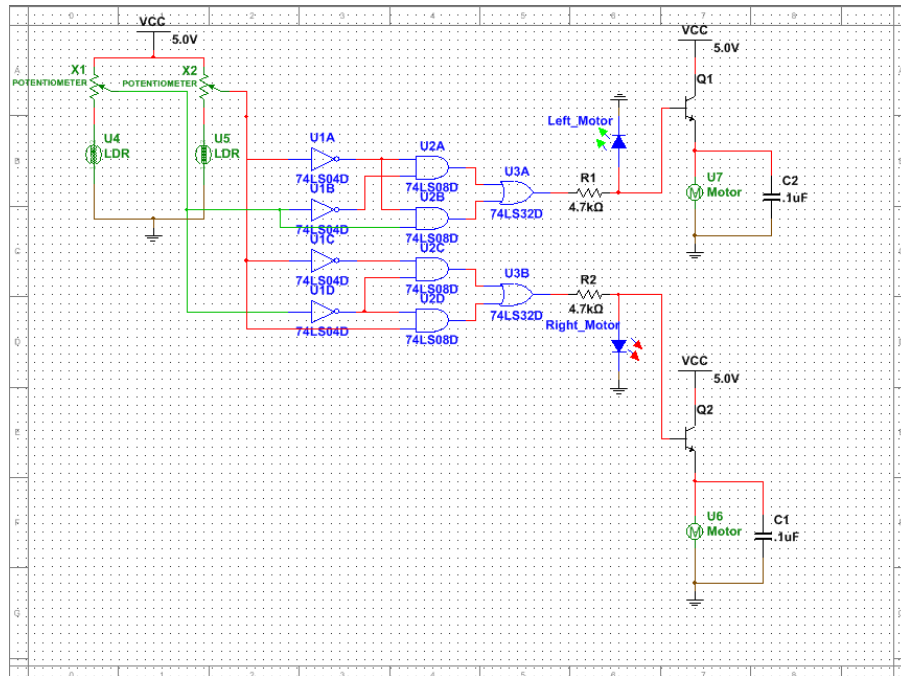


Figure 2: Circuit drawing using NI Multisim program

### Photocell Sensors and Resistance Sensitivity

The designed motorized device is a photon triggered self-correcting vehicle that uses two photocell sensors to determine the input using light sources (LED strip lights). These photocell sensors are resistors and their resistance is dependent upon the light detection. With the light detection, its resistance becomes low and without the light detection (dark), the resistance increases. In order to find the appropriate amount of the voltage level over the resistance to run the motor, resistance testing was necessary (Figure 3). Since the light reflects and scatters, there are a few variables that affect to the resistance sensitivity including distance between light source and photocell sensor, color of the table, and ambient light. The test procedure was conducted by measuring the voltages at different brightness levels, and it was discovered that the photocell yields the largest range of voltage with 10 kΩ variable resistor (potentiometer).

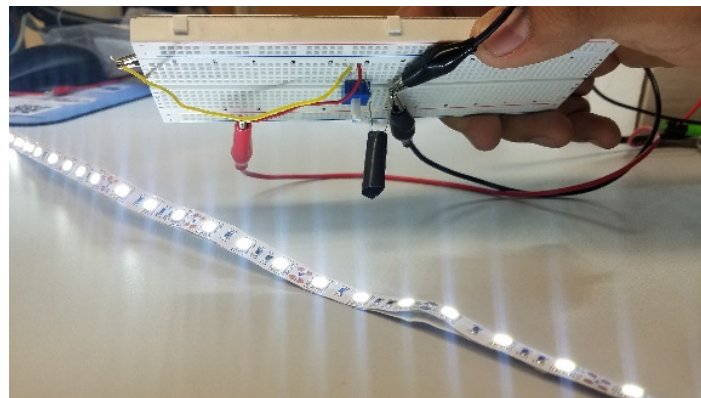
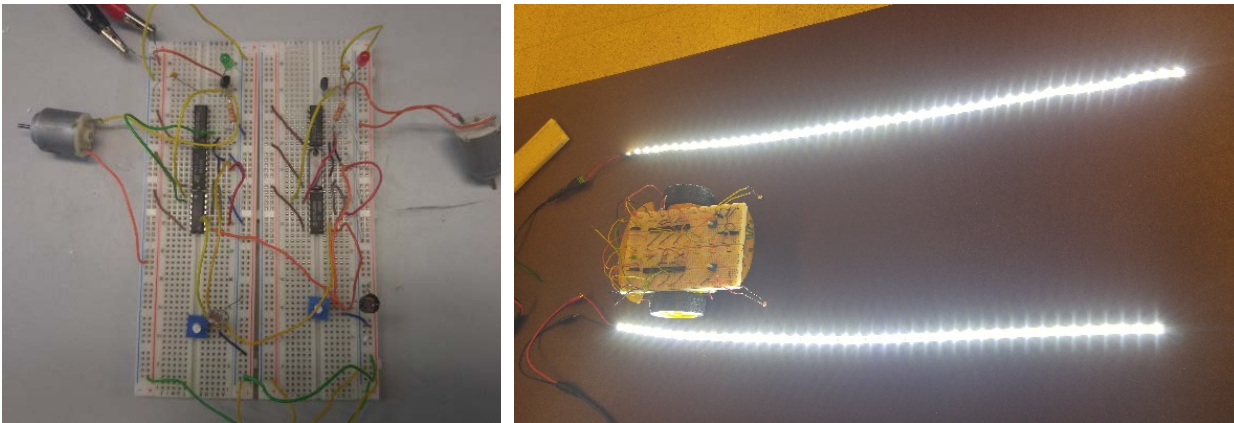


Figure 3 Testing the resistance sensitivity of photocell sensors

## Circuit Construction and Testing Procedure

In the next step, students were asked to construct the circuit with the physical components. Following the schematic of the circuit design in Figure 2, two boards were separately used to represent the circuits at each side of the motor as shown in Figure 4 (left), which helped students to understand and build the circuit in an orderly manner. The completely constructed circuit boards were mounted on a plate to hold the boards and the motors from the circuits were connected to the wheels on a plate. Designing a body of the vehicle using 3-D printer that supports the boards and motors can be developed in the future project. It will provide the opportunities for students to learn and develop the technical skillset of 3-D modelling design with *SOLIDWORKS* or *AutoCAD* software.

Two photocell sensors were attached in the front of the vehicle as facing down to sense the light from the LED strip light and then send signals to the circuit. Through several testing practices, we discovered the vehicle made more obvious turns with the LED strip light in a S-curved shape instead of straight lined LED strip light that is shown in Figure 4 (right).



*Figure 4 The completed circuit constructions with motors (left) and testing the completed motorized vehicle with photocell sensors along the LED light strip track (right)*

## Conclusion

Designing a logic circuit of the self-correcting vehicle project was found to be motivating for the students involved by providing student-driven, interdisciplinary, and technology based learning method. The project was completed by three honors students in Spring 2017. All three students showed greater confidence in academic success and further interest in continuing similar research project. It allowed the students to combine their knowledge in digital and analog electronics theory into practice and to solve real world challenges. In addition, through the project, it was observed that students developed and gained experiences in communication, teamwork, self-management, and lifelong learning skills. This outcome encouraged us to expand the project to wider range of students in the future as an efficient learning method of digital and analog electronics theory.

## References

- 1 S. Han, R. Capraro, and M. M. Capraro, “How Science, Technology, Engineering, And Mathematics (STEM) Project-Based Learning (PBL) Affects High, Middle, And Low Achievers Differently: The Impact Of Student Factors On Achievement,” *Int. J. Sci. Math. Educ.*, vol. 13, no. 5, pp. 1089–1113, Oct. 2015.
- 2 Carolyn A Scott. “Project-based science: Reflections of a middle school teacher. *Elementary School Journal*”, Volume 95, Number 1, September 1994.

## Dugwon Seo

Dr. Dugwon Seo is an Assistant Professor in Engineering Technology Department at Queensborough Community College. Dr. Seo has been teaching Engineering Technology courses including digital circuit, computer applications, computer-aided analysis, and renewable energy. Her research interest includes various renewable energy, digital circuit system, remote sensing, and technology education.

## Danny Mangra

Danny Mangra is an Associate Professor in Engineering Technology Department at Queensborough Community College. He received the B. E.(E.E.) degree from The Grove School of Engineering at The City College of New York [C.U.N.Y] and the M.S.E.E. from NYU Tandon School of Engineering. In the field he was a System Engineering who tested and integrated Wide Area Networks. Professor Mangra teaches Electronics and Computer Engineering Technology courses. He is a Licensed Professional Engineer [P.E] registered in New York State.