

Snow Melting Mats – Data Sheet

GENERAL PRODUCT INFORMATION

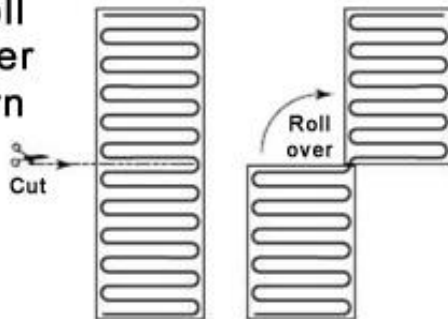
ProLine snow melting mats feature pre-spaced heat cable (3 and 4-inch spacing) in mats that can be rolled out for quick, easy installation. To make turns, the tape strips can be cut and the mat can then be turned accordingly (see illustrations below). The convenient design, versatility and rugged construction of ProLine electric radiant heating mats make them a favorite among homeowners and commercial construction professionals alike.

FEATURES INCLUDE:

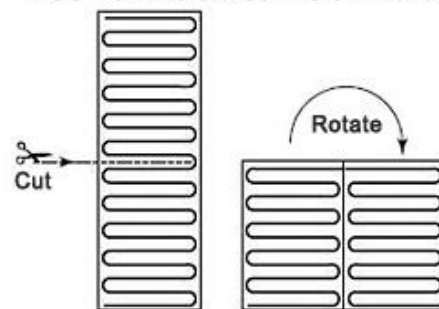
- Single point connection
- Twin conductor cable
- Flexible installation
- Durable construction
- Silent, efficient and safe
- Maintenance free
- For use in concrete, asphalt and under pavers
- CSA listed in U.S. and Canada
- 10-year limited warranty against manufacturing defects
- All mats heat an area 2-feet wide. Power leads are 16.4 feet in length.



Roll over turn



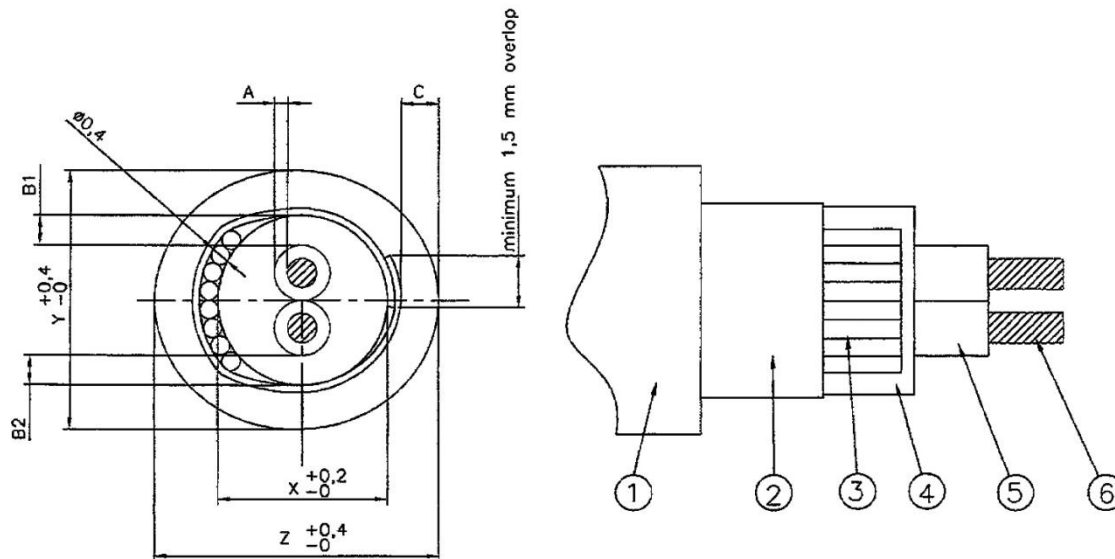
180° or Back-to-Back Turn



SPECIFICATIONS

Cable Construction:	Twin conductor
Rated Voltage:	120-600 V (For 120, 208, 277, 600 V, please call.)
Output:	37 W/ft ² and 50W/ft ²
Cold lead:	16.4 feet (5.0 m). Longer cold leads available on request.
Bending Radius:	Minimum 2 inches (51 mm)
Cable Diameter:	¼ inches (7 mm)
Conductor Insulation:	Fluoropolymer
Metal Sheath:	Copper
Outer Sheath:	Polyolefin
Max. External Jacket Asphalt Temperature:*	220°F (105°C) *[460°F (240°C) for up to 10 minutes]
Max. External Jacket Temperature:	158°F (70°C)
Max. Conductor Insulation Temperature:	302°F (150°C)
Min. Installation Temperature:	5°F (-15°C)

ProLine Snow Melting Cable Cross Section



1. Outer sheath - PVC
2. Alu-folie 0.062 x 17 mm
3. Screen - Cu 8 x 0.405 mm tinnec
4. Filler sheath - PEX
5. Conductor insulation - FEP
6. Heating conductor

SOME KEY INSTALLATION TIPS

1. Always maintain proper cable spacing. (Minimum spacing is 2 inches (center-to-center) and maximum cable spacing is 4 inches, center-to-center.)
2. Never allow the cables to cross or touch.
3. Never cut the heating cable.
4. In concrete and asphalt applications, the installed heating cable should be 2 inches from the finished surface. (The heating cable should never be resting on the ground prior to the pour.)
5. Never run heating cable through an expansion joint. (Make sure the joint is tooled or cut NO deeper than 1¼-inches. The cable must be ¾ to 1-inch below the bottom of the joint.)
6. Do not flex or strain the cable splice by pulling on the cable. All of the cable must be embedded, including the entire splice and 6 inches of cold lead.
7. Avoid kinking or bending the cable sharply (which causes the insulation to “bubble” and pull away from the cable).
8. When installing heat cable in paver applications, make certain that there is ½-inch of compacted paver sand or stone dust on top of the heating cables or mats. (Cables must be completely encased – with no air gaps.)



ORDERING INFORMATION

Snow Melting Mats

240 Volt (37 W/Sq. ft.)

Item Number 240 V Mat	Heated Area	Mat Length (feet)	Watts	Amps	Ohms
SM237112750	20	11	750	3.1	76.8
SM2373022000	54	30	2,000	8.3	28.8
SM2375123500	94	51	3,500	14.6	16.5
SM2376524500	120	65	4,500	18.8	12.8
SM2378025500	146	80	5,500	22.9	10.5

240 Volt (50 W/Sq. ft.)

Item Number 240 V Mat	Heated Area	Mat Length (feet)	Watts	Amps	Ohms
SM25052500	10	5	500	2.1	115.2
SM2501021000	20	11	1,000	4.2	57.6
SM2502522500	50	27	2,500	10.4	23.1
SM2504024000	80	44	4,000	16.7	14.4
SM2505525500	110	60	5,500	22.9	10.5

Snow Melting Mats for Hot Asphalt Applications

240 Volt (37 W/Sq. ft.)

Item Number 240 V Mat	Heated Area	Mat Length (feet)	Watts	Amps	Ohms
SMA237112750	20	11	750	3.1	76.8
SMA2373022000	54	30	2,000	8.3	28.8
SMA2375123500	94	51	3,500	14.6	16.5
SMA2376524500	120	65	4,500	18.8	12.8
SMA2378025500	146	80	5,500	22.9	10.5



SPECIAL ORDER SNOW MELTING MATS

Additional fulfillment time of 8-10 weeks required.

208 Volt Snowmelt Mats

208 Volt (37 W/Sq. ft.)

Item Number 208 V Mat	Mat Length (feet)	Heated Area	Watts	Amps	Ohms
SM837112750	11	20	750	3.6	57.8
SM8373022000	30	54	2,000	9.6	21.7
SM8375123500	51	94	3,500	16.8	12.4
SM8376524500	65	120	4,500	21.6	9.6
SM8378025500	80	146	5,500	26.4	7.9
SM8378726000	87	160	6,000	28.8	7.2

208 Volt (50 W/Sq. ft.)

Item Number 208 V Mat	Mat Length (feet)	Heated Area	Watts	Amps	Ohms
SM85032300	3	6	300	1.4	144.2
SM85052500	5	10	500	2.4	86.6
SM8501121000	11	20	1,000	4.8	43.3
SM8501621500	16	30	1,500	7.2	28.9
SM8502222000	22	40	2,000	9.6	21.7
SM8502722500	27	50	2,500	12.0	17.3
SM8503323000	33	60	3,000	14.4	14.4
SM8503823500	38	70	3,500	16.8	12.4
SM8504424000	44	80	4,000	19.2	10.8
SM8504924500	49	90	4,500	21.6	9.6
SM8505525000	55	100	5,000	24.0	8.7
SM8506025500	60	110	5,500	26.4	7.9
SM8506526000	65	120	6,000	28.8	7.2



277 Volt Snowmelt Mats and Cable

Special order snowmelt cables and mats. Additional fulfillment time of **8-10 weeks required**.

Snow Melting Mats 277 Volt (37 W/Sq.)

Item Number 277 V Mat	Mat Length (feet)	Heated Area	Watts	Amps	Ohms
SM737112750	11	20	750	2.7	102.3
SM7373022000	30	54	2,000	7.2	38.4
SM7375123500	51	94	3,500	12.6	22.0
SM7376524500	65	120	4,500	16.2	17.1
SM7378025500	80	146	5,500	19.9	13.9
SM7378726000	87	160	6,000	21.7	12.8

Snow Melting Mats 277 Volt (37 W/Sq. ft.)

Item Number	Length(ft)	Coverage(sq.ft)	Amps	Watts (37W/sq.ft.)
SM737112750	11	20	2.7	750
SM7373022000	30	54	7.2	2,000
SM7375123500	51	94	12.6	3,500
SM7376524500	65	120	16.2	4,500
SM7378025500	80	146	19.9	5,500
SM7378726000	87	160	21.7	6,000

Snow Melting Mats 277 Volt (50 W/Sq. ft.)

Item Number	Length(ft)	Coverage(sq.ft)	Amps	Watts (50W/sq.ft.)
SM75032300	3	6	1.1	300
SM75052500	5	10	1.8	500
SM7501121000	11	20	3.6	1,000
SM7501621500	16	30	5.4	1,500
SM7502222000	22	40	7.2	2,000
SM7502722500	27	50	9.0	2,500
SM7503323000	33	60	10.8	3,000
SM7503823500	38	70	12.6	3,500
SM7504424000	44	80	14.4	4,000
SM7504924500	49	90	16.2	4,500
SM7505525000	55	100	18.1	5,000
SM7506025500	60	110	19.9	5,500
SM7506526000	65	120	21.7	6,000

Snow Melting Cable 277 Volt

Item Number	Length(ft)	Approximate heat coverage		Amps	Watts (12W/ft.)
		3" spacing	4" spacing		
SC725300	25	6	8	1.1	300
SC743500	43	10	14	1.8	500
SC7861000	86	20	29	3.6	1,000
SC71271500	127	30	42	5.4	1,500
SC71702000	170	40	57	7.2	2,000
SC72132500	213	50	71	9.0	2,500
SC72563000	256	60	85	10.8	3,000
SC72993500	299	70	100	12.6	3,500
SC73404000	340	80	113	14.4	4,000
SC73834500	383	90	128	16.2	4,500
SC74265000	426	100	142	18.1	5,000
SC74695500	469	110	156	19.9	5,500
SC75126000	512	120	171	21.7	6,000

Activation Devices – Markers

	Item #	Description	Voltage
	WS-2C	Aerial Mounted Snow Switch (30 amps) Moisture and temperature sensing	120, 240
	WS-5C	Aerial Mounted Snow Switch (60 amps) Moisture and temperature sensing	120, 240
	WS-8C	Aerial Mounted Snow Switch (30 amps) Moisture and temperature sensing Includes remote moisture sensor	120, 240
	WS-AUX	Auxiliary Control Unit for Aerial Mounted Snow Switch	120, 240
	WS-02	Controller and Mounting Box and for Pavement Mounted Sensor	120, 240
	WS-56	Pavement Mounted Snow Sensor Moisture and temperature sensing	120, 240
	Warmplate	Embedded Marker Plate (NEC Required)	n/a

Contactor Panels



Contactor Panel



Contactor Panel with GFEP

Description	Max Amps	Coil Voltage	Number of Contactors	Dimensions
Single Contactor Panel Used to control power supply and heating cables (120 - 600 V) NEMA 1 contactor panel	50	120, 208-240	1	4x4x4
Dual Contactor Panel. Used to control power supply and heating cables (120 - 600 V) NEMA 4X contactor panel	100	120	2	10" x 10" x 4" (254 mm x 254 mm x 102 mm)
Quad Contactor Panel. Used to control power supply and heating cables (120 - 600 V) NEMA 4X contactor panel	200	120	4	12" x 12" x 6" (305 mm x 305 mm x 152 mm)
Dual Contactor Panel with GFEP. Used to control power supply and heating cables (120 - 600 V) NEMA 4X contactor panel	100	120	2	10" x 10" x 4" (254 mm x 254 mm x 102 mm)
Quad Contactor Panel with GFEP. Used to control power supply and heating cables (120 - 600 V) NEMA 4X contactor panel	200	120	4	16" x 14" x 6" (406 mm x 356 mm x 152 mm)

WARRANTY INFORMATION

ProLine Heating Mats and Cables: 10-year limited warranty.

Controls and activation devices: 2-year limited warranty.

ProLine snow melting heat cable is CSA approved for both US and Canada.



ProLine Radiant reserves the right to alter its products without notice. This also applies to products already on order provided that such alteration can be made without subsequent changes being necessary in specifications already agreed upon. ProLine Radiant accepts no responsibility for possible errors in catalogs, brochures, other printed materials, and website information. All trademarks in this material are property of the respective companies. All rights reserved.