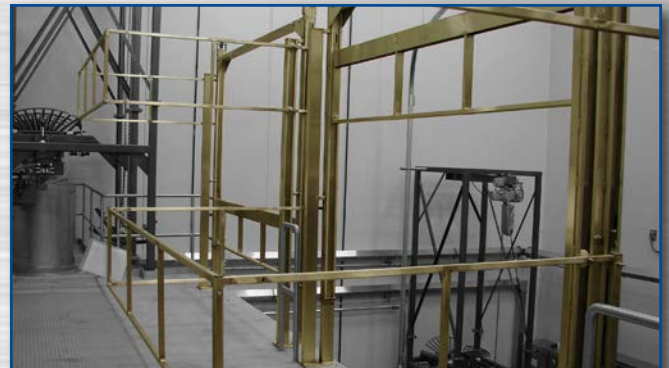
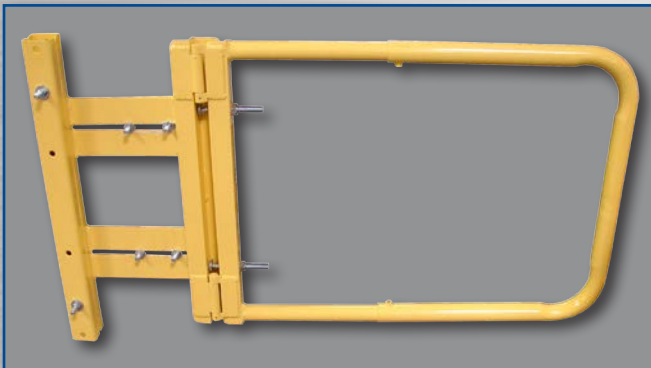




Equipment Catalog

- Mezzanine Safety Gates •
- Industrial Safety Gates •



Manufactured by:

BENKO PRODUCTS
ENGINEERED TO BE MORE

Benko Products Inc. • 5350 Evergreen Pkwy • Sheffield Village, Ohio • 44054
Phone (440) 934-2180 • Fax (440) 934-4052 • e-mail: sales@benkoproducts.com
www.benkoproducts.com



We offer Industrial Safety Gates to fit even the most challenging applications. All of our 'Protect-O-Gate' models meet OSHA safety requirements. They are all brightly colored to stand out and draw attention to the potential hazard that may exist.

If fall protection is a priority at your plant, Protect-O-Gate products by Benko Products are a must. We can demonstrate how to save the time and expense of fabricating gates in-house, in order to provide fall prevention and protection, as required by OSHA.

Please review our catalog and contact us with any questions or concerns!

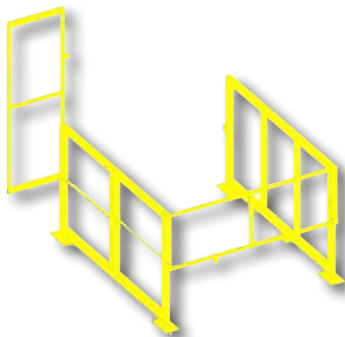
Table of Contents



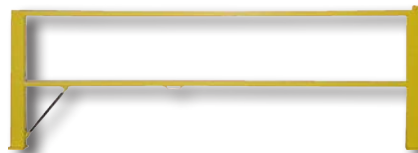
Clear-Aisle Safety Gates
Pages 3-4



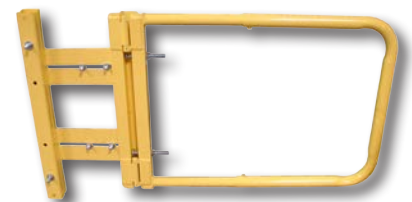
Pivot Safety Gates
Pages 5-6



Clear-Height Safety Gates
Pages 7-8



Loading Dock Gates
Pages 9-10



Self-Closing Swing Gates
Pages 11-12

Manufactured by: **BENKO PRODUCTS**
ENGINEERED TO BE MORE

Benko Products Inc. · 5350 Evergreen Pkwy · Sheffield Village, Ohio · 44054
Phone (440) 934-2180 · Fax (440) 934-4052 · email: sales@benkoproducts.com
www.benkoproducts.com



Shown: PG-04-CA,
Single-Pallet Model



Mezzanine Safety Gate Clear-Aisle Model

The Protect-O-Gate Clear-Aisle Safety Gate is a revolutionary design, taking up only 10" of aisle space when open to the mezzanine floor.

Easily installed, this industrial gate fits into tight spaces while maintaining maximum safety.

Features

Clear-Aisle Safety Gates have many unique features:

- Provides access to the work area from 3 sides
- Requires only 10 inches of floor space when "corral" gate is raised
- Shipped partially assembled for easy installation
- Counterbalanced for easy operation
- Single and Double-Pallet models
- Custom sizing available

Dimensions

Single-Pallet Model (PG-04-CA)

Interior Dimensions (clearance):

62"W x 66"D x 80"H

Exterior Dimensions:

74"W x 68"D x 120"H

Double-Pallet Model (PG-08-CA)

Interior Dimensions (clearance):

111"W x 66"D x 80"H

Exterior Dimensions:

123.25"W x 68"D x 120"H



Finishes

- Painted safety yellow
- Corrosion resistant finish
- Stainless steel

Powered Operation

- Powered operation is available for both single and double-pallet models
- Available remote control
- Simple installation
- Demonstration video on-line



Manufactured by:

BENKO PRODUCTS
ENGINEERED TO BE MORE

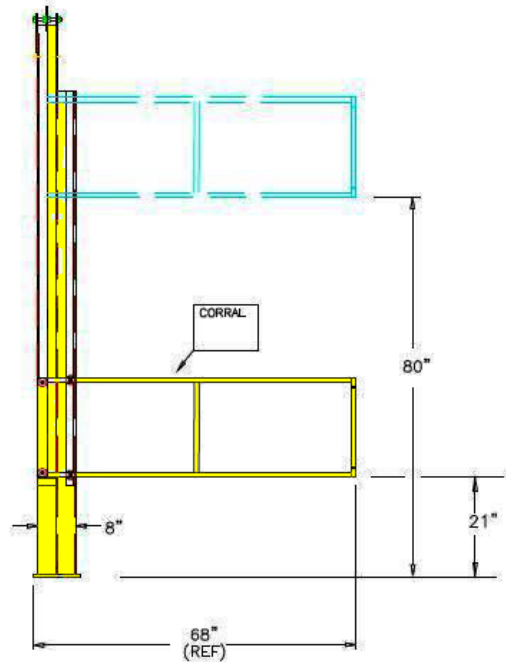
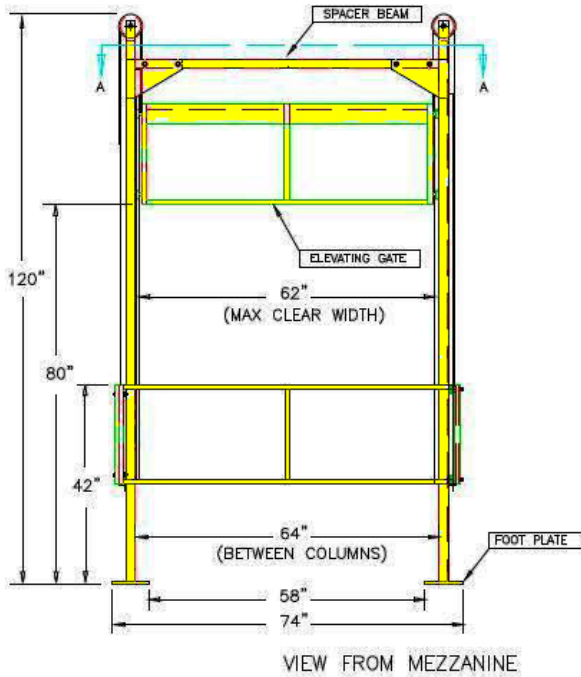
Benko Products Inc. · 5350 Evergreen Pkwy · Sheffield Village, Ohio · 44054
Phone (440) 934-2180 · Fax (440) 934-4052 · email: sales@benkoproducts.com
www.benkoproducts.com



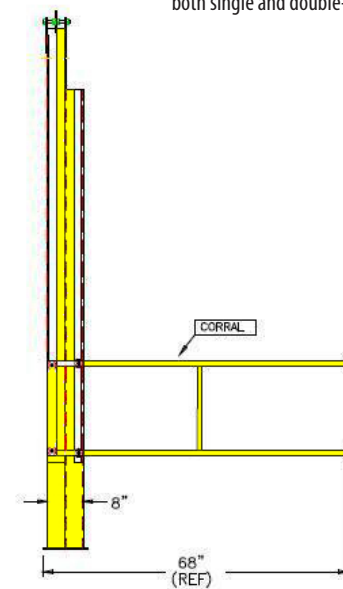
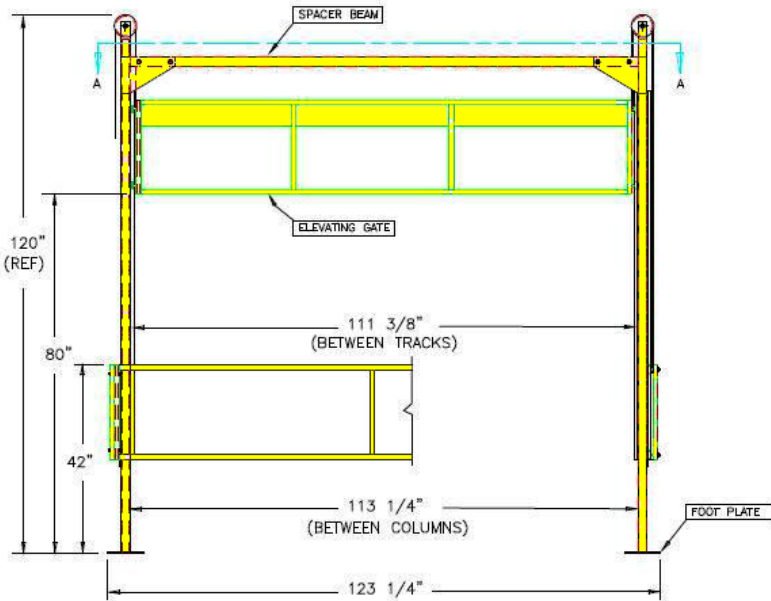
Mezzanine Safety Gate

Clear-Aisle Model

PG-04-CA:



PG-08-CA:



* Powered operation is available for both single and double-pallet models

BENKO PRODUCTS
ENGINEERED TO BE MORE

WARRANTY: All products manufactured by Benko Products, Inc. have a one (1) year warranty (unless otherwise specified) from the date of shipment against defects in workmanship or material. Any part or component, except items covered by warranties of other manufacturers, returned to the factory or service center freight prepaid by the owner, found upon examination by Benko Products, Inc. to be defective or the result of improper workmanship by the factory will be repaired or replaced without charge and returned to the owner freight prepaid by Benko Products, Inc. Any alterations of Benko Products, Inc. products void any warranty or liability on the part of Benko Products, Inc. Benko Products, Inc. does not guarantee product capacity if alterations are made.



PG-08 (Double-pallet): Shown with optional diamond-plate landing



Mezzanine Safety Gate Pivot Gate Model

The Protect-O-Gate Pivot Gate's patented, double-gate design eliminates the potential for falls and other accidents associated with mezzanine loading areas.

The Pivot Gate's enclosed work station eliminates the need for unsafe conventional devices, such as chains or other single-gate designs.

Features

Pivot Safety Gates have many unique features:

- Patented, durable design
- Easy access to staging area
- Can ship fully assembled
- Carbon or Stainless steel
- 4" toe plate on ledge side
- Counterbalanced for easy operation
- Single and Double-Pallet models
- Custom sizing available

Dimensions

Single-Pallet Model (PG-04)

Interior Dimensions (clearance):

56"W x 54.5"D x 66.5"H

Exterior Dimensions:

68"W x 63.25"D x 82"H

Double-Pallet Model (PG-08)

Interior Dimensions (clearance):

108"W x 54.5"D x 66.5"H

Exterior Dimensions:

120"W x 63.25"D x 82"H

Finishes

- Painted safety yellow
- Corrosion resistant finish
- Stainless steel

Engineering

All Protect-O-Gate Industrial Safety Gates can be customized to meet your specific application.

Contact your sales representative for more information!



Shown: PG-04, Single-Pallet Model



Manufactured by:

BENKO PRODUCTS
ENGINEERED TO BE MORE

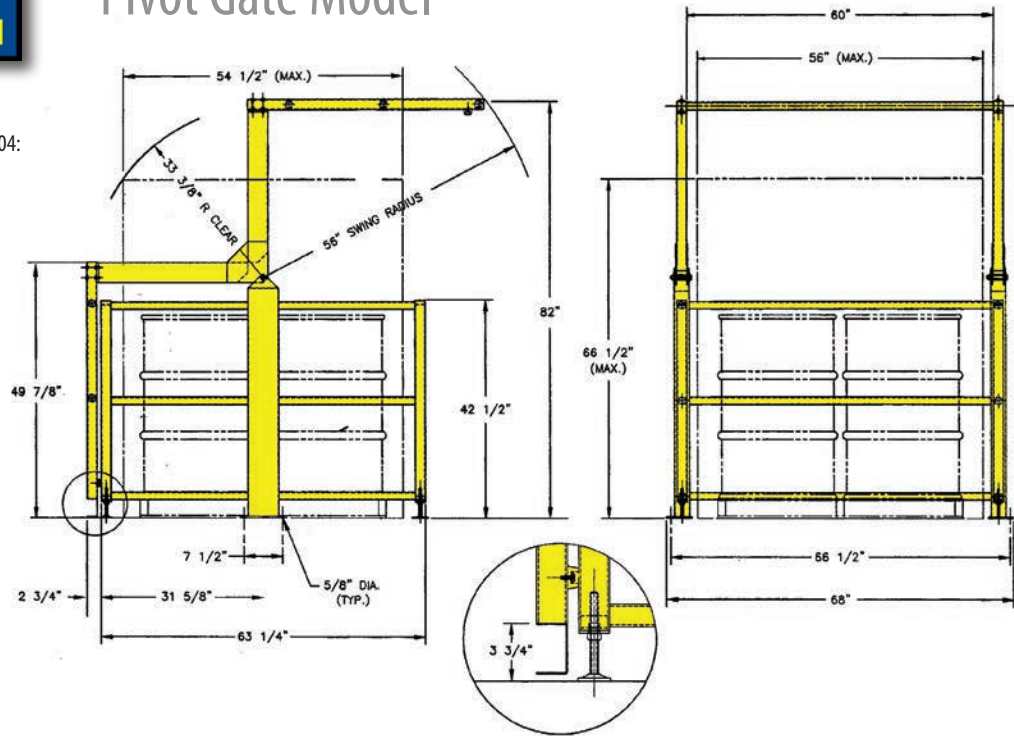
Benko Products Inc. · 5350 Evergreen Pkwy · Sheffield Village, Ohio · 44054
Phone (440) 934-2180 · Fax (440) 934-4052 · email: sales@benkoproducts.com
www.benkoproducts.com



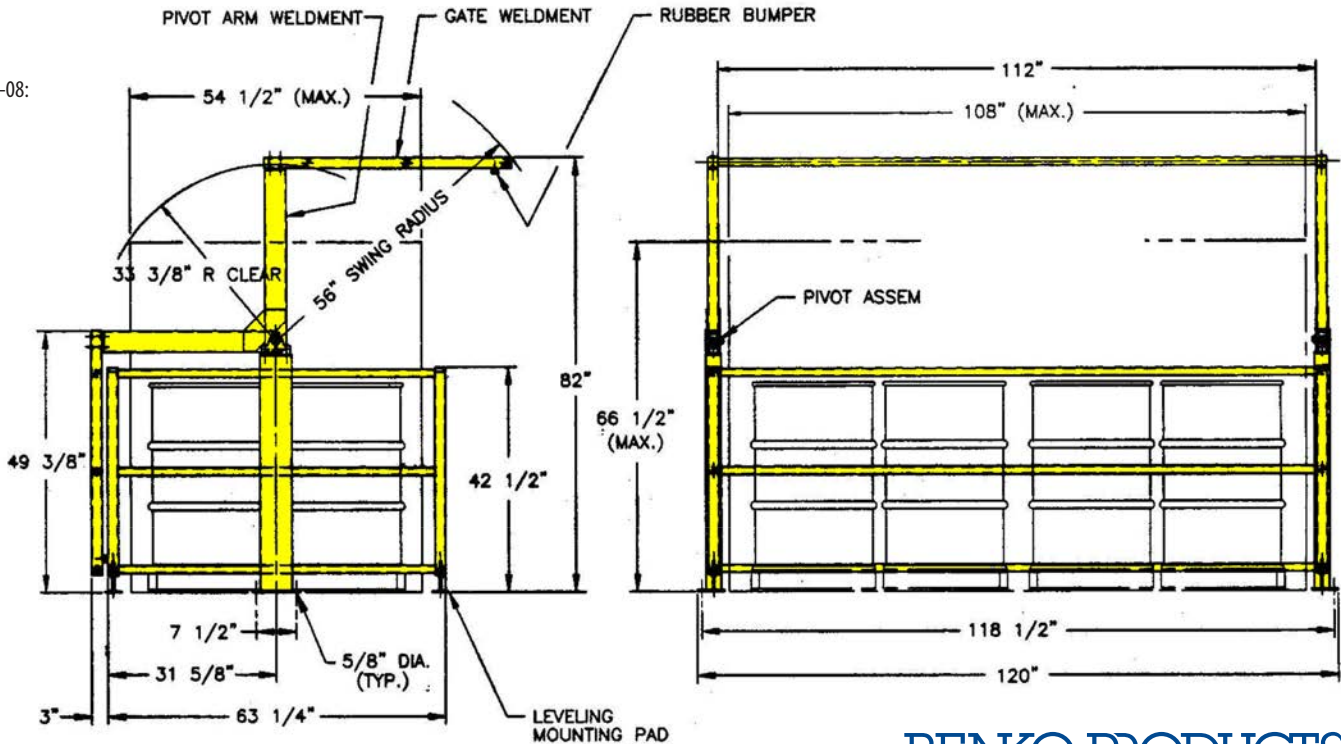
Mezzanine Safety Gate

Pivot Gate Model

PG-04:

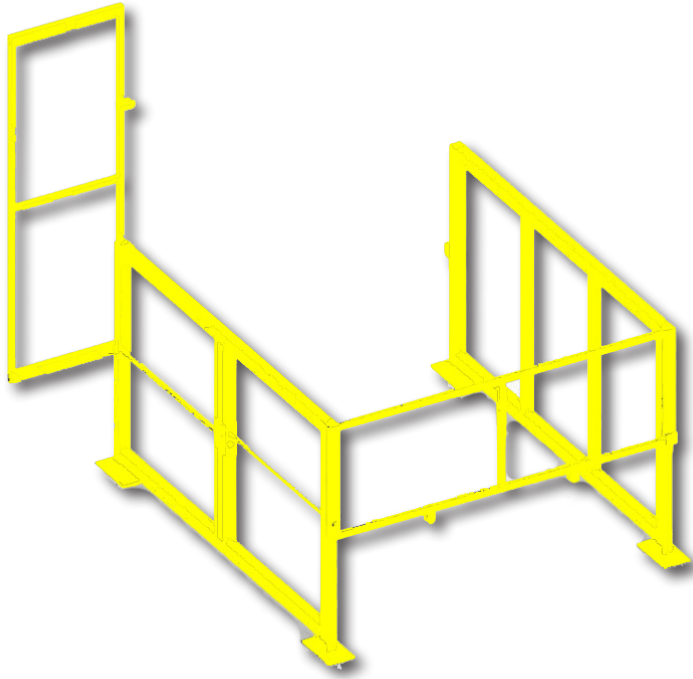


PG-08:



BENKO PRODUCTS
ENGINEERED TO BE MORE

WARRANTY: All products manufactured by Benko Products, Inc. have a one (1) year warranty (unless otherwise specified) from the date of shipment against defects in workmanship or material. Any part or component, except items covered by warranties of other manufacturers, returned to the factory or service center freight prepaid by the owner, found upon examination by Benko Products, Inc. to be defective or the result of improper workmanship by the factory will be repaired or replaced without charge and returned to the owner freight prepaid by Benko Products, Inc. Any alterations of Benko Products, Inc. products void any warranty or liability on the part of Benko Products, Inc. Benko Products, Inc. does not guarantee product capacity if alterations are made.



(Available with bottom rail and toe-plate)



Mezzanine Safety Gate 'Clear-Height' Model

The Protect-O-Gate "Clear-Height" Mezzanine Safety Gate's double-gate design allows for constant fall-protection, without overhead restrictions.

The "Clear-Height" Safety Gate is perfect for applications with tight clearances or overhead movers

Features

"Clear-Height" Mezzanine Safety Gates have many unique features:

- No overhead obstructions for loading / unloading the staging area
- Available with 3rd rail and toeplate
- Double-gate protection
- Easily assembled
- Carbon or Stainless steel
- Counterbalanced for easy operation
- Custom sizing available

Standard Dimensions

Single-Pallet Model

Interior Dimensions (clearance):

56"W x 54.5"D

Exterior Dimensions:

68"W x 63.25"D x 82"H

***Custom Dimensions Available

Finishes

- Painted safety yellow
- Corrosion resistant finish
- Stainless steel

Engineering

All Protect-O-Gate Industrial Safety Gates can be customized to meet your specific application.

Contact your sales representative for more information!

Our engineering team has over 150 years experience collectively and utilizes state-of-the-art CAD software.



Manufactured by:

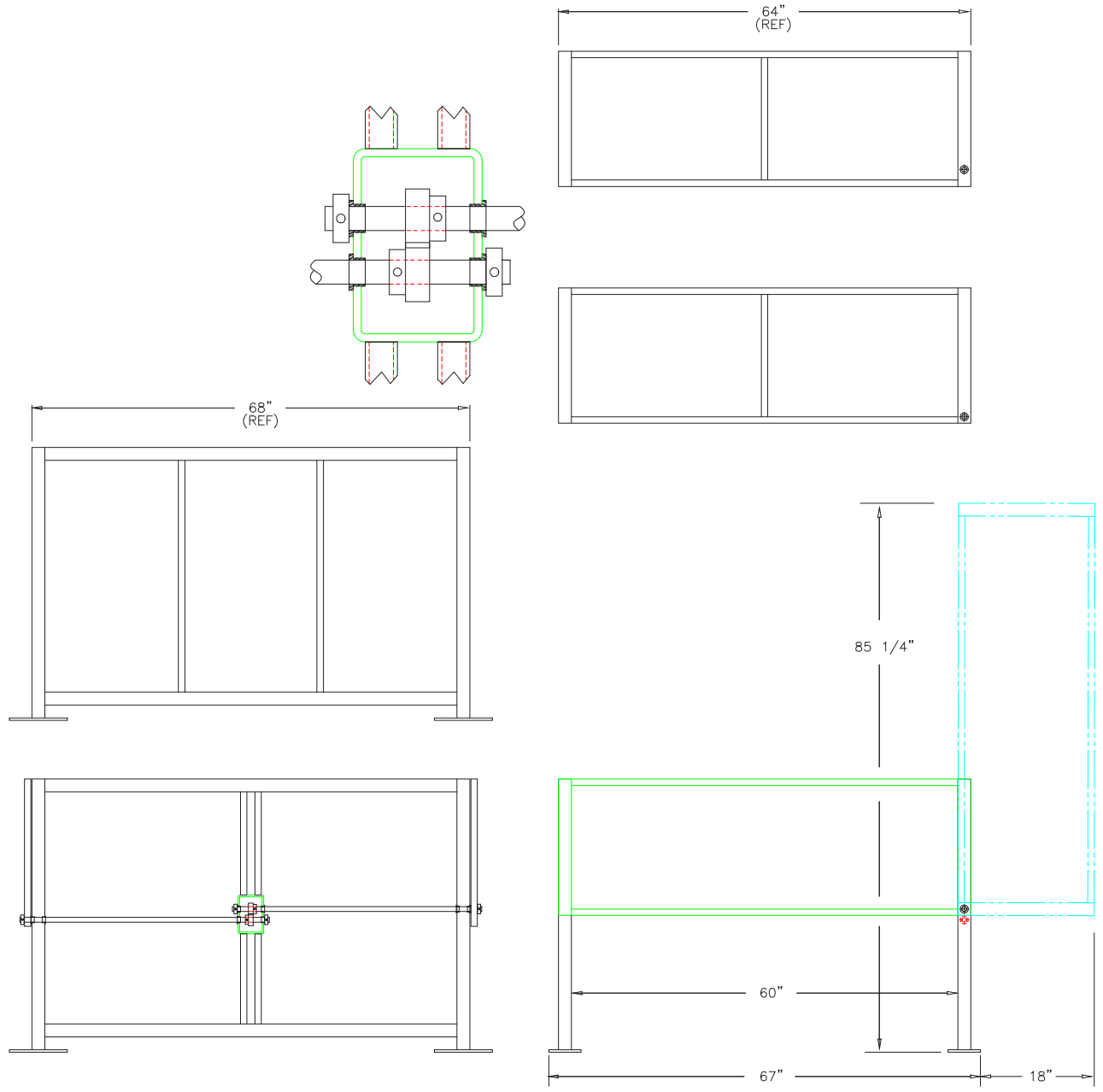
BENKO PRODUCTS
ENGINEERED TO BE MORE

Benko Products Inc. · 5350 Evergreen Pkwy · Sheffield Village, Ohio · 44054
Phone (440) 934-2180 · Fax (440) 934-4052 · email: sales@benkoproducts.com
www.benkoproducts.com



Mezzanine Safety Gate

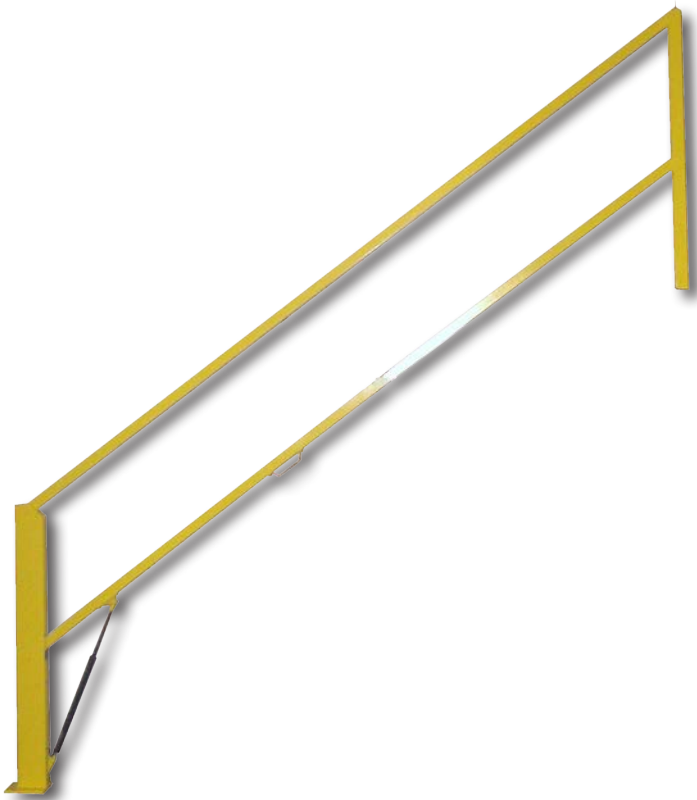
'Clear-Height' Model



(Available with bottom rail and toe-plate)



WARRANTY: All products manufactured by Benko Products, Inc. have a one (1) year warranty (unless otherwise specified) from the date of shipment against defects in workmanship or material. Any part or component, except items covered by warranties of other manufacturers, returned to the factory or service center freight prepaid by the owner, found upon examination by Benko Products, Inc. to be defective or the result of improper workmanship by the factory will be repaired or replaced without charge and returned to the owner freight prepaid by Benko Products, Inc. Any alterations of Benko Products, Inc. products void any warranty or liability on the part of Benko Products, Inc. Benko Products, Inc. does not guarantee product capacity if alterations are made.



Industrial Safety Gate Loading Dock Gate

The Protect-O-Gate Loading Dock Gate prevents falls from happening on your loading dock, loading bay, or any exposed edge.

This easy-to-use gate is an economical solution for providing O.S.H.A. compliant fall protection.



Features

Our Loading Dock Gates have many unique features:

- Space saving fall protection
- Solid construction - Built to last
- Easily installed
- Operator friendly
- Can ship fully assembled
- Painted carbon steel and stainless steel models available
- Single and Double-Door models
- Custom sizing available

Dimensions + Pricing

- **8' Door Model (SDG-08)**
Interior Dimension (clearance): 96"W
Price: \$925 plus shipping
- **10' Door Model (SDG-10)**
Interior Dimension (clearance): 120"W
Price: \$1,025 plus shipping
- **12' Door Model (SDG-12)**
Interior Dimension (clearance): 144"W
Price: \$1,425 plus shipping

Finishes

- Painted safety yellow
- Corosion resistant finish
- Stainless steel

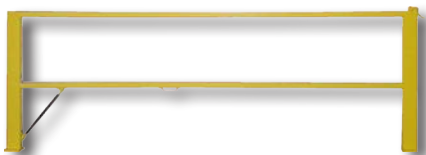
Powered Operation

The Loading Dock Gate can also be equipped with an air-cylinder for powered operation, keeping the user at a safe distance when opening and closing the gate.

Engineering

All Protect-O-Gate Industrial Safety Gates can be customized to meet your specific application.

Contact your sales representative for more information!



Manufactured by:

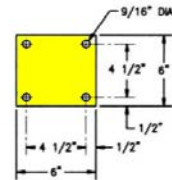
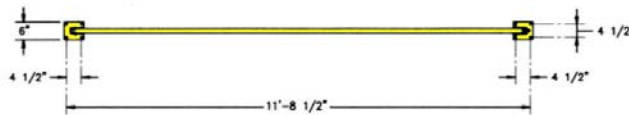
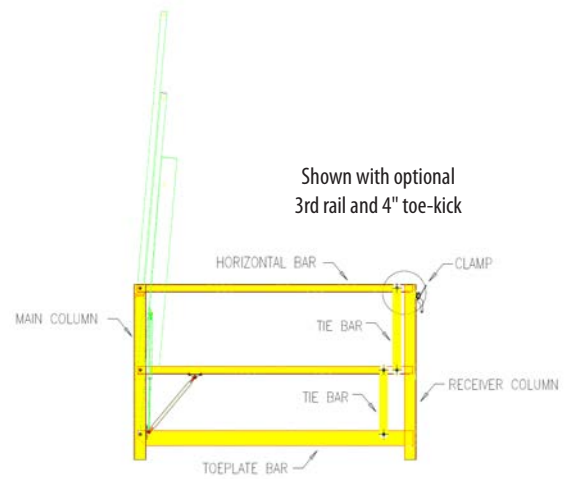
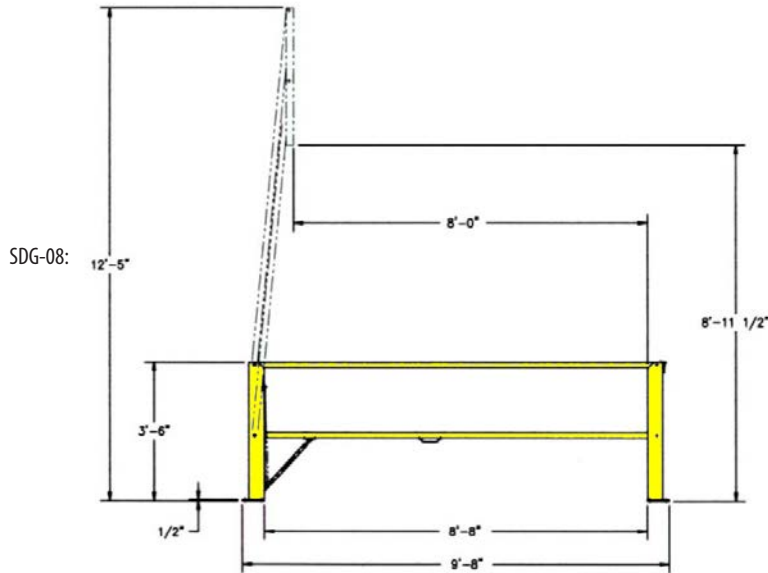
BENKO PRODUCTS
ENGINEERED TO BE MORE

Benko Products Inc. · 5350 Evergreen Pkwy · Sheffield Village, Ohio · 44054
Phone (440) 934-2180 · Fax (440) 934-4052 · email: sales@benkoproducts.com
www.benkoproducts.com



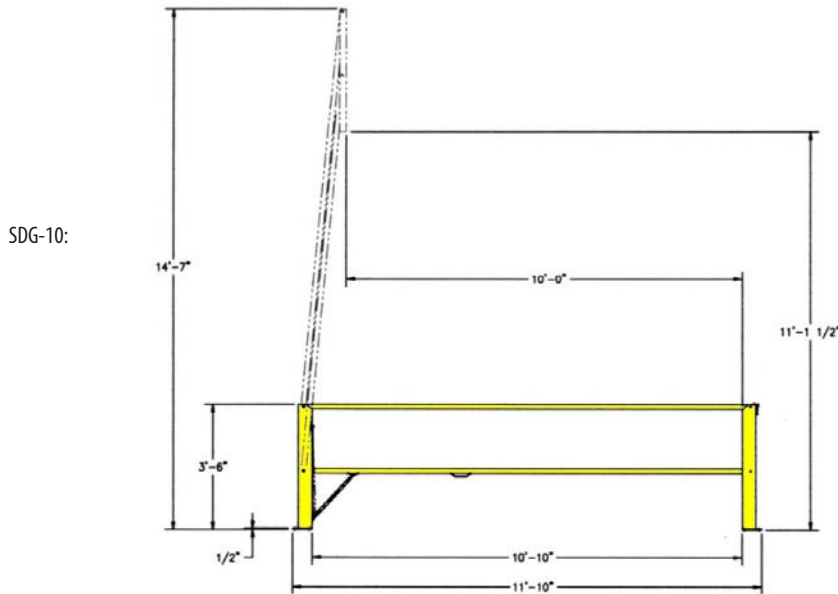
Industrial Safety Gate

Loading Dock Gate



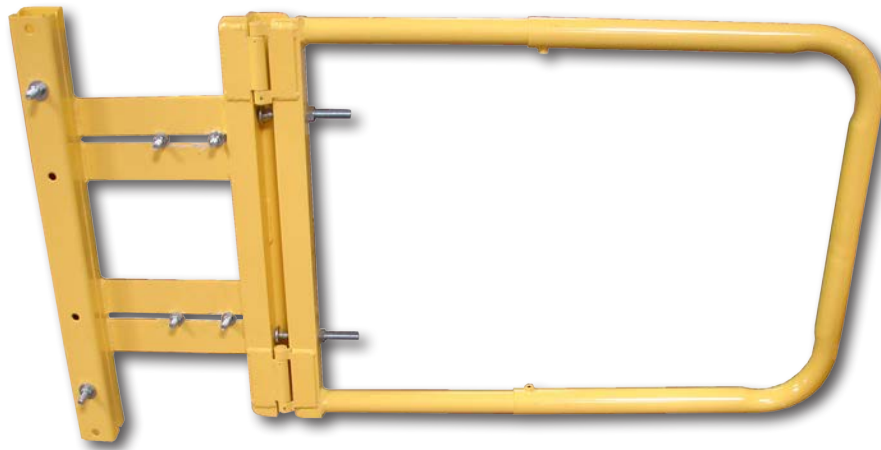
DETAIL: MOUNTING PLATE

- NOTES:
1. SUPPORT RISERS TO BE CARBON STEEL CONSTRUCTION AND PAINTED SAFETY YELLOW
 2. GATE HORIZONTAL BARS TO BE ALUMINUM CONSTRUCTION AND PAINTED SAFETY YELLOW
 3. CONNECTION BOLTS TO BE ASTM A325 STRUCTURAL
 4. FOUNDATION DESIGN AND ASSEMBLY BY OTHERS
 5. CUSTOMER TO VERIFY ALL DIMENSIONS
 6. APPROXIMATE WEIGHT: 90 LBS.



BENKO PRODUCTS
ENGINEERED TO BE MORE

WARRANTY: All products manufactured by Benko Products, Inc. have a one (1) year warranty (unless otherwise specified) from the date of shipment against defects in workmanship or material. Any part or component, except items covered by warranties of other manufacturers, returned to the factory or service center freight prepaid by the owner, found upon examination by Benko Products, Inc. to be defective or the result of improper workmanship by the factory will be repaired or replaced without charge and returned to the owner freight prepaid by Benko Products, Inc. Any alterations of Benko Products, Inc. products void any warranty or liability on the part of Benko Products, Inc. Benko Products, Inc. does not guarantee product capacity if alterations are made.



Industrial Safety Gate

Self-Closing Swing Gate

The Protect-O-Gate Adjustable Self-closing Swing Gate is pre-fabricated and bolts to existing rail openings to provide a one-way, self-closing safety gate.

Easily adjusted, the Swing Gate is a simple and cost-effective solution to comply with O.S.H.A. regulations for fall protection.

Features

Protect-O-Gate Adjustable Self-closing Swing Gates have many unique features:

- Choose from three sizes to cover openings from 19" up to 48"
- Strong, secure, multi-point connection for lasting protection
- Spring actuated, self-closing hinges
- Carbon or stainless steel construction.
- Designed to fit standard railings
- Right angle, flush, and custom mounting available
- 3-rail models available, with or without 4" toe plates

Finishes

Available finishes include:

- Painted safety yellow enamel
- Corrosion resistant finish
- Stainless steel
- Galvanized

Dimensions + Pricing

Model SG-1:

Fits openings from 19" to 27"

- Carbon steel, painted safety yellow = **\$239**
- Corrosion resistant finish, Stainless steel or Galvanized = Request a Quote

Model SG-2:

Fits openings from 28" to 38"

- Carbon steel, painted safety yellow = **\$249**
- Corrosion resistant finish, Stainless steel or Galvanized = Request a Quote

Model SG-3:

Fits openings from 39" to 48"

- Carbon steel, painted safety yellow = **\$259**
- Corrosion resistant finish, Stainless steel or Galvanized = Request a Quote

3-rail Models with 4" toe plates

Also available is a 3-rail model Self-closing Swing Gate which includes a 4" toe plate for added safety against falling objects for those below.

Can also be configured "saloon" style for a pallet 'push-through' system. Optional full length bumpers available.

Contact your sales representative today for a quote on any size 3-rail Self-closing Swing Gate models.

Engineering

Custom designed units are available.

Our engineering team has over 150 years of combined experience and will develop a solution for your challenging application.

Manufactured by:

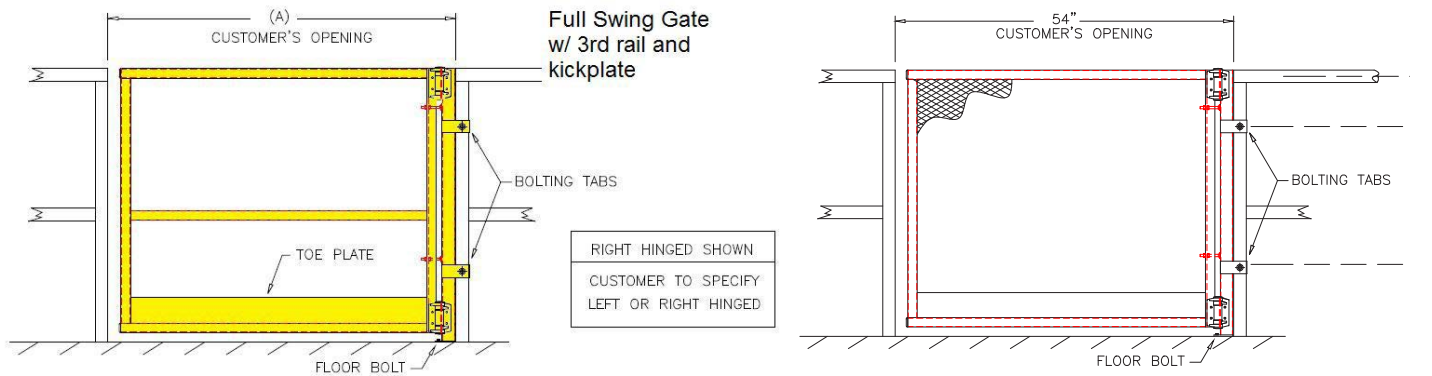
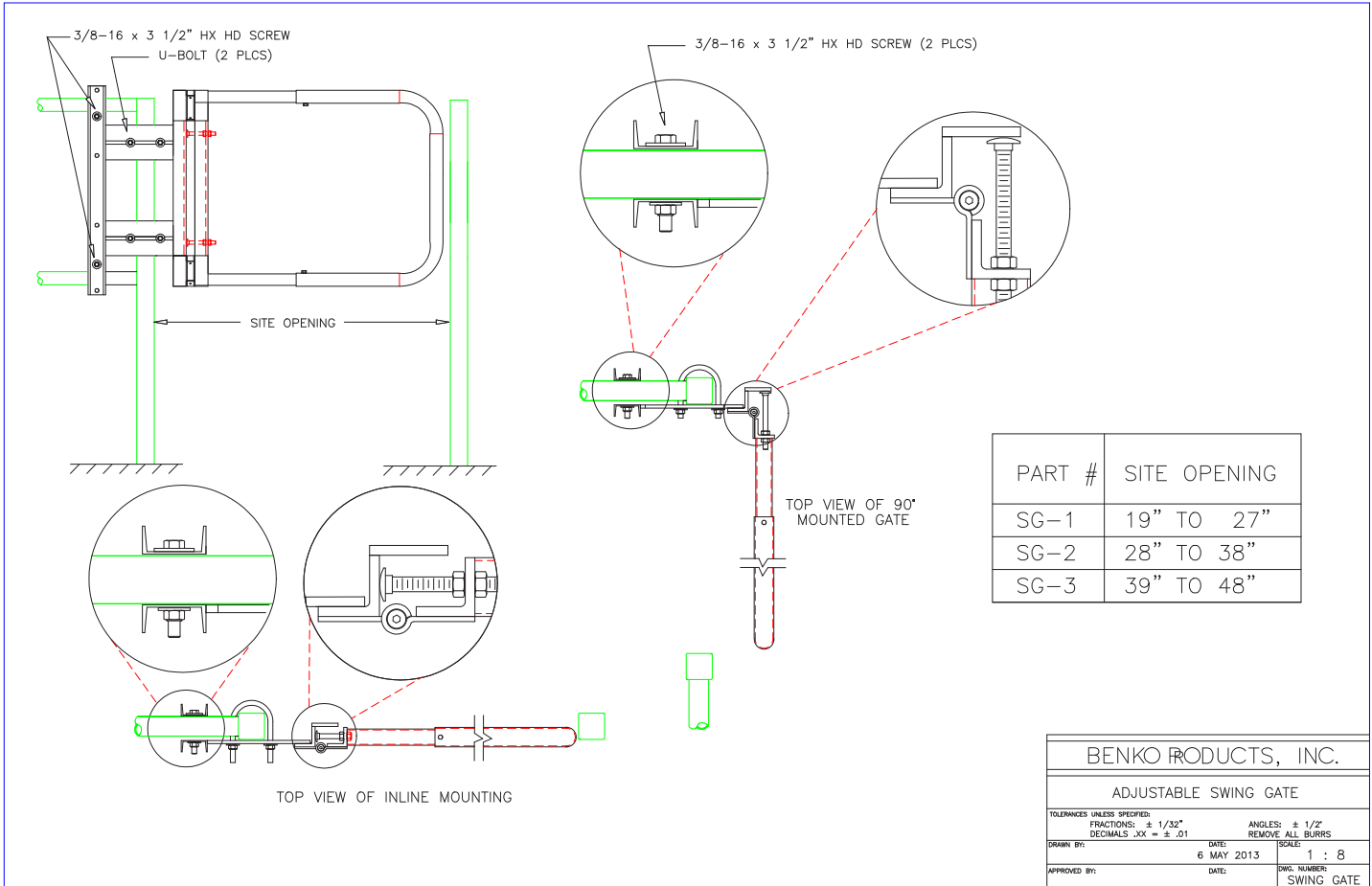
BENKO PRODUCTS
ENGINEERED TO BE MORE

Benko Products Inc. · 5350 Evergreen Pkwy · Sheffield Village, Ohio · 44054
Phone (440) 934-2180 · Fax (440) 934-4052 · email: sales@benkoproducts.com
www.benkoproducts.com



Industrial Safety Gate

Self-Closing Swing Gate



WARRANTY: All products manufactured by Benko Products, Inc. have a one (1) year warranty (unless otherwise specified) from the date of shipment against defects in workmanship or material. Any part or component, except items covered by warranties of other manufacturers, returned to the factory or service center freight prepaid by the owner, found upon examination by Benko Products, Inc. to be defective or the result of improper workmanship by the factory will be repaired or replaced without charge and returned to the owner freight prepaid by Benko Products, Inc. Any alterations of Benko Products, Inc. products void any warranty or liability on the part of Benko Products, Inc. Benko Products, Inc. does not guarantee product capacity if alterations are made.