



Proven Performance in  
Extreme Conditions

# DIRECT CONNECT

## NEW INSTALLATION DRAINS



Your One Source  
for All Commercial  
Roofing Products



DRAINS • VENTS • ACCESSORIES • EQUIPMENT • PEDESTAL SUPPORTS

marathondrains.com | P 800.828.8424 | F 716.332.7676

## ENPOCO-PAK

### MODEL ULRD - DRAIN KIT IN SIZES 3", 4", & 6"

#### FEATURES:

- Molded Polyethylene Dome Strainer. Bolts Securely to Clamping Ring
- Injection Molded PVC or ABS Body. Ultraviolet Stabilized for Long Life. Solvent Welds to PVC or ABS DWV Pipe.
- Epoxy Coated Aluminum Clamping Collar with Gravel Stop. Grooved for Positive Drainage on Smooth Surfaced Roofs. Distortion Resistant & Unbreakable.
- Aluminum Underdeck Clamp. Fastens Drain Securely to Deck.
- Flexible Rubber Coupling. Connects to PVC, ABS, or Cast Iron Pipe.
- Overflow Option Available.

#### SPECIFICATIONS:

Enpoco ULRD Roof Drain

3" (76mm), 4" (102mm) or 6" (152mm)

Comes with Polyethylene Dome (Optional Cast Iron Dome Available), Cast Aluminum Under Deck Clamp, 4" (102mm) Connecting Length of Schedule 40 PVC Pipe & Flexible Rubber Coupling, as Supplied by Marathon Roofing Products, Inc.



**WARNING**  
Cancer and  
Reproductive Harm  
[www.P65Warnings.ca.gov](http://www.P65Warnings.ca.gov)

## CAST-PAK

### MODEL RD - 1 CAST IRON DRAIN

#### FEATURES:

- Available in 3", 4", 6" & 8" Sizes.
- Molded Polyethylene Dome Strainer. Bolts Securely to Clamping Ring.
- Epoxy Coated Cast Iron Body. No Hub Outlet.
- Epoxy Coated Aluminum Clamping Ring with Gravel Stop. Grooved for Positive Drainage on Smooth Surfaced Roofs. Distortion Resistant & Unbreakable.
- Aluminum Underdeck Clamp. Fastens Drain Securely to Deck
- Flexible Rubber Coupling. Connects to PVC, ABS, or Cast Iron Pipe.
- Overflow Option Available.



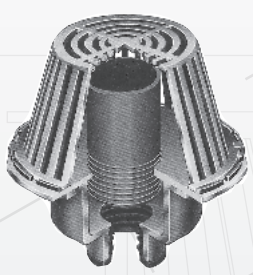
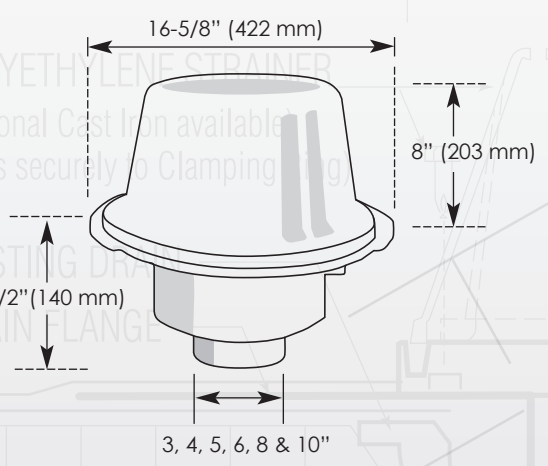
# EXTRA LARGE BODY CAST IRON DRAINS



Standard Cast Iron  
Extra Large Body  
with Optional Cast  
Iron Dome

## FEATURES:

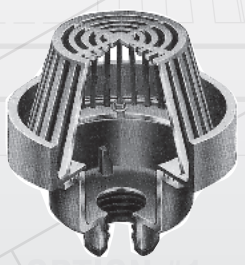
- Extra Large Cast Iron Body RD300 Available in Pipe Sizes of 3", 4", 5" 6", 8" & 10"
- Standard Self Locking Plastic or Optional Cast Iron or Aluminum Domes
- Comparable to the Most Common Extra Large Body Cast Iron Drains
- Optional Outlet Connections Available
- Ballast Guard Available in Many Sizes
- 4 Bolt Pattern Ring



## EXTRA LARGE AREA OVERFLOW ROOF DRAIN RD300W

with Internal Standpipe

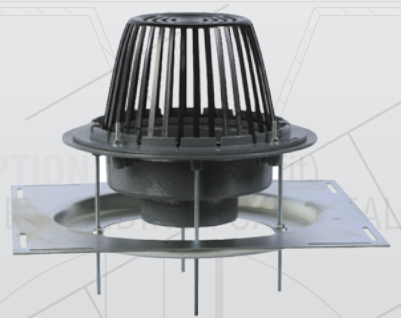
- Adjustable Internal Water Dam
- Self Locking Poly Dome
- Optional Push-on Outlet Shown



## EXTRA LARGE AREA OVERFLOW ROOF DRAIN RD300R

with 2" External Water Dam Overflow

- Self Locking Poly Dome
- No Hub Outlet



## EXTRA LARGE AREA DUAL OUTLET DRAIN W/ OVERFLOW RD700

Epoxy Coated Cast Iron Dual Outlet Roof Drain/Overflow Combination with Flashing Clamp, High Internal Overflow Standpipe, Secured Ductile Iron Dome, & No Hub Outlets.

## SIDE OUTLET ROOF DRAINS

**Horizontal Discharge Copper Drains to Route Water Laterally in Shallow Access Areas**

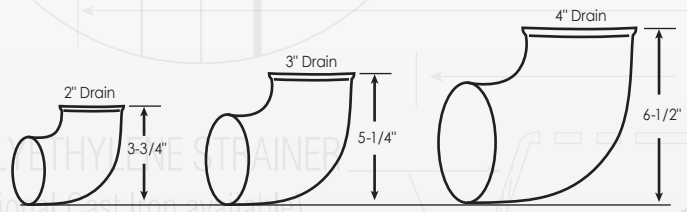
- Versatile, Economical, Designed to Accommodate Drainage in Spaces Where Normal Vertical Drainage is Impeded by Structural Limitations
- Available in 2", 3" & 4" Sizes of Copper 90° Outlet
- Horizontal Discharge Drains Adapt to All New & Re-Roofing Systems
- **Typical Accessories Available Include:**

Clamping Rings  
Optional Metal Drain Guards  
Flat Grate Inserts for Promenade Applications



ABOVE: 4" Century Outlet Drain with Clamping Ring & Cast Iron Dome

Minimum Vertical Space Required for Attachment of Horizontal Outlet:



3" Century Outlet Drain PVC Coated with Poly Dome



4" Century Economy Outlet Drain with 10" Poly Dome

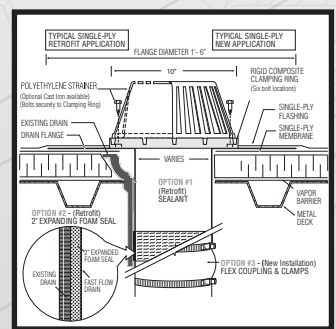
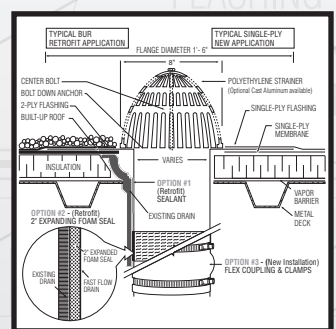


2" Promenade Style Deck Drain with Low Profile Grate

## ALUMINUM FAST FLOW

**FEATURES:**

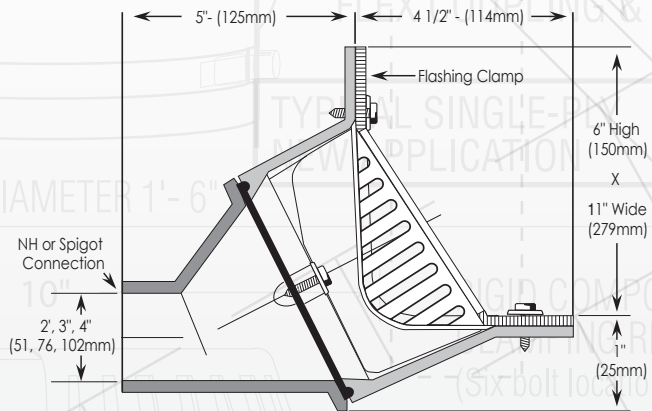
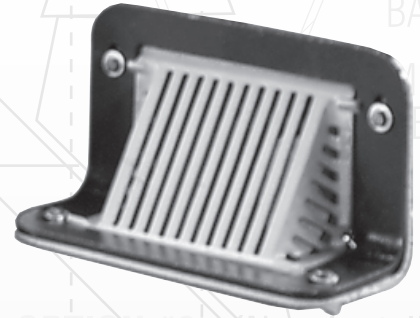
- New Clamping Ring Style for Single-Ply Systems
- Constructed of Heavy Gauge (.081) Spun Aluminum
- Available in Sizes 2", 3" & 4"
- Quick & Easy to Install & Maintain
- Bolt-in-Place PVC Strainer Dome Standard, Cast Iron or Aluminum Strainers Optional
- Efficient & Economical



## PARAPET/SCUPPER RD-27 DRAINS - RD270

**RD-27 Parapet (Scupper) Drain with Oven Cured Epoxy Coated Cast Iron Body, Flashing Clamp & Secured Epoxy Coated Angled Grate.**

- Designed for Sidewall Roof Installation
- Durable Cast Iron
- Available in 2", 3", 4" & 6" Sizes
- Hub Connection is Reversible to Accommodate 45° or 90° Installation
- Angled Grate is Standard  
Flat Grate is Optional
- Epoxy Paint is Standard  
Nickel Bronze Finish is Optional



## SMALL BODY CAST IRON DRAINS

**Heavy Duty Construction to Withstand Climate & the Rigors of Long-Term Use**

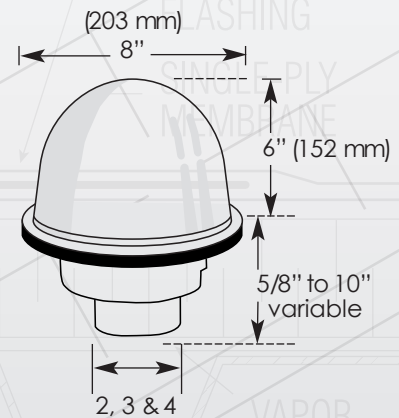
- Meets Standards for Small Body Application  
Available with Optional PVC Body
- Standard Self Locking Plastic or Optional Cast Aluminum Domes
- Available in 2", 3", & 4" Pipe Sizes with No Hub Style, Threaded, Caulk or Push-On Pipe Connections
- Small Area Side Outlet



PVC Body Only

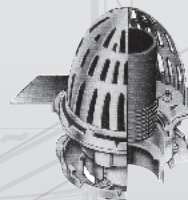


RD200 Standard Cast Iron Small Body with Optional Cast Aluminum Dome



**SMALL BODY DUAL OVERFLOW PACKAGE RD260 with Overflow System**

- Adjustable Internal Water Dam
- Epoxy Coated Dual Sump Receiver
- Self Locking Poly Domes



**SMALL BODY ROOF DRAIN RD200W with Internal Standpipe**

- Adjustable Internal Water Dam
- Self Locking Poly Dome
- Optional Sump Receiver

## "PREMIUM" CENTURY SERIES

### FEATURES:

- Available in 2", 3" & 4" Sizes
- Clamping Ring Option for Single-Ply Roof Systems
- Constructed of Durable Quality Copper
- Adapts to All Types of Membranes & Roof Systems
- Provides Flexible Expansion Type Connections to Plumbing
- Positive Seal to Roof Membranes
- Quick & Easy to Install from the Roof Top
- Custom Fabrication Available for Non-Standard Applications

### SPECIFICATIONS:

**Flange:** 18" (457 mm) Diameter 20 oz. Copper

**Coating:** Option - PVC and TPO Coated for direct hot air welding.

**Clamping Ring:** Recommended for PVC, EDPM and Hypalon & TPO

**Strainer Dome:** High Density Polyethylene, 10" Diameter (Optional Cast Iron Strainer Available)

**Drain Connections:** Straight or 90° Flexible Rubber Coupling for PVC/ABS, Cast Iron or Copper Pipe



CPS49 Century Premium  
Straight with 3 Bolt



PVC Coating  
Only



CPS49CR Century Premium  
Straight with Clamping Ring

## "ECONOMY" CENTURY SERIES

### FEATURES:

- Available in 2", 3" & 4" Sizes

### SPECIFICATIONS:

**Flange:** 14" Diameter 16 oz. Copper

**Coating:** Option - PVC and TPO Coated for direct hot air welding.

**Clamping Ring:** Recommended for Single Ply & TPO Membranes

**Strainer Dome:** High Density Polyethylene, 10" Diameter (Optional 10" Cast Iron Strainer Available)

**Drain Connections:** Straight or 90° Flexible Rubber Coupling for PVC/ABS, Cast Iron or Copper Pipe



PVC Coating  
Only

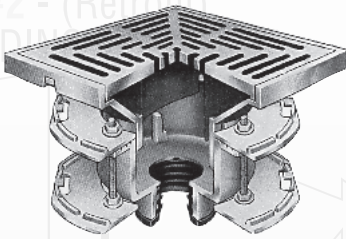


CS49 Economy Straight  
14" Flange, 10" Strainer



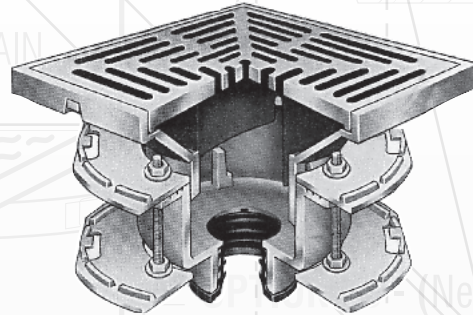
CS49CR(E) Economy  
14" Flange,  
10" Strainer & Clamping Ring

## CAST IRON PROMENADE DRAINS



### SMALL AREA ROOF DRAIN RD200CP with 8" x 8" Promenade Top

- Available in 2', 3" & 4"
- Adjustable Height
- Epoxy Coating
- Same Drain Body Options as Cast Iron Small Body



### LARGE AREA ROOF DRAIN RD100CP with 12" x 12" Promenade Top

- Available in 2", 3", 4", 5" & 6"
- Adjustable Height
- Epoxy Coating
- Same Drain Body Options as Cast Iron Large Body

## ONE PIECE CAST IRON DRAINS



### RD280-SO

Cast Iron Roof Drain with Deck Flange, Drain Body, Flashing Clamp with Integral Gravel Guard, Self-Locking Cast Iron Dome & No Hub Outlet.



### RD250

One Piece Combination Roof Drain & Secondary Overflow.



### RD280

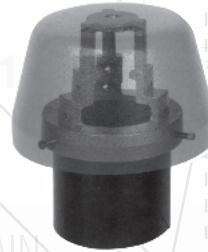
Cast Iron Drain with Deck Flange, Drain Body, Flashing Clamp with Integral Gravel Guard, Self-Locking Cast Iron Dome & No Hub Side Outlet.

## CAST IRON DRAIN ACCESSORIES



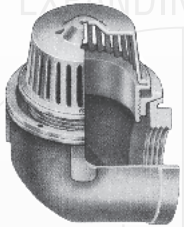
### BALCONY DRAIN RD240

- Adjustable Arched Bronze Dome
- Threaded Outlet
- Epoxy Coating
- Flat Style Grate Available
- Sizes 2", 3" & 4"



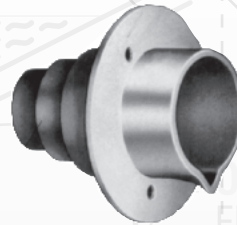
### VENT CAP RD680

- Vandal Resistant
- Epoxy Coating
- Sizes 2", 3" & 4"



### SIDE OUTLET BALCONY DRAIN RD230

- Adjustable Arched Bronze Dome
- Flashing Clamp
- Threaded Outlet
- Epoxy Coating
- Flat Style Grate Available
- Sizes 2", 3" & 4"



### DOWNSPOUT NOZZLE RD940

- Nickel Bronze Downspout
- Sizes 2" - 12"
- Available in No Hub, Threaded & Push On



## DRAIN ACCESSORIES

### STRAINERS

Roof Drain Strainers are available in many sizes in Plastic, Aluminum & Cast Iron.



### RETROFIT RINGS & DOMES

Retrofit Rings & Domes available in Aluminum & Cast Iron to replace missing Strainers & Rings.



### CLAMPING RINGS

Roof Drain Clamping Rings are available in many sizes.



### RUBBER COUPLINGS

