



**ProVia**  
THE PROFESSIONAL WAY

— ASPECT™ —  
**WINDOWS**  
ENERGY SAVINGS, SIMPLIFIED



# THE PROFESSIONAL WAY

ProVia® has developed a competitive position by catering to a niche market that demands a high degree of customization coupled with superior quality. You will find attention to detail is what our customers have come to appreciate and expect from us. We're building your windows and our company to last a lifetime...that's **The Professional Way**.

**MULTI  
TIME**

Partner of the  
Year Award



**90%+** of Windows and Doors  
are ENERGY STAR®  
Certified

**40+** Professional-Class  
Exterior Building  
Product Lines

**DOORS • WINDOWS • SIDING • STONE**



6 Facilities in the United States

**750+**  
Associates Nationwide

Our Mission:

— TO SERVE, BY CARING FOR —  
**DETAILS**  
IN WAYS OTHERS WON'T

Doing Business Since

**1977**

**19**

Core Values

**200+**

Metric Tons of CO<sup>2</sup>  
Saved Annually

**400+ Tons**

of Aluminum, Brass and  
Steel Recycled Annually

Visit [provia.com](http://provia.com) or download our iPad app to  
explore all of ProVia's products and options.

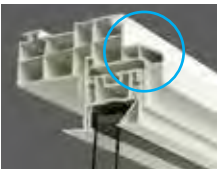


# CONSTRUCTION

Aspect™ windows feature a multi-chambered frame and sash system, providing excellent durability and ultimate energy efficiency.

## Aspect Features

- A** 3/4" frame depth
- B** SunShield® Vinyl
- C** 3/4" ComforTech™ DLA for dual glaze and 1" ComforTech TLA or TLK for triple glaze
- D** Optimized wall placement for exceptional thermal performance



- E** Integral Interlock at meeting rail
- F** Structural storm interlock for increased structural performance with optimal wind deflection
- G** Roller-Tilt® balance system with color-matched covers
- H** Notched accessory grooves for more interior and exterior trim options



- I** Surface mount locks
- J** Vent Locks
- K** Top sash retention - no more sash drift
- L** Barrier-fin and bulb weatherstripping

Roll formed aluminum screen frame with BetterVue® fiberglass mesh

Integral nail fin available in white, beige and sandstone



Aspect Double Hung 40" x 63"		
Test	Test Specification	Results
Air	ASTM E 283	0.05 cfm/ft² @ 25 mph
Water	ASTM E 547	8.35 psf
Structural	AAMA/WDMA/CSA 101/I.S.2/A440-8 and 11	R-DP50 142 mph



### Picture Windows

Direct-glazed with interior glazing bead

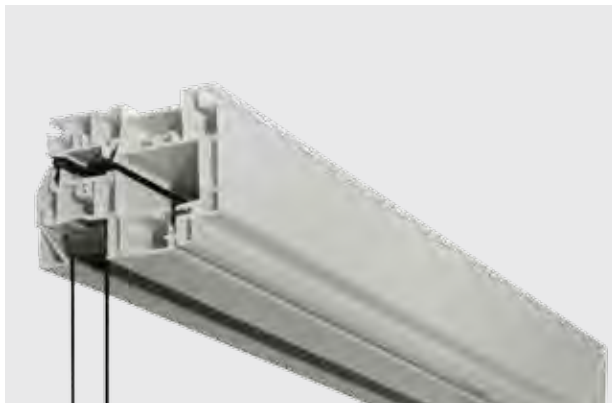
Aspect Picture 75" x 75"		
Test	Test Specification	Results
Air	ASTM E 283	0.01 cfm/ft <sup>2</sup> @ 25 mph
Water	ASTM E 547	12.11 psf
Structural	AAMA/WDMA/CSA 101/I.S.2/A440-8 and 11	R-DP50 142 mph



### Slider Windows

Pocket sill design

Aspect Slider 72" x 48"		
Test	Test Specification	Results
Air	ASTM E 283	0.09 cfm/ft <sup>2</sup> @ 25 mph
Water	ASTM E 547	9.19 psf
Structural	AAMA/WDMA/CSA 101/I.S.2/A440-8 and 11	R-DP-30 110 mph



### Casement & Awning Windows

- Multi-point locking hardware
- Washability hinge for casement
- Quick-release dual-arm operator for awning

Aspect Casement 24" x 60"		
Test	Test Specification	Results
Air	ASTM E 283	0.02 cfm/ft <sup>2</sup> @ 25 mph
Water	ASTM E 547	11.28 psf
Structural	AAMA/WDMA/CSA 101/I.S.2/A440-8 and 11	R-DP60 155 mph

Aspect Awning 48" x 32"		
Test	Test Specification	Results
Air	ASTM E 283	0.02 cfm/ft <sup>2</sup> @ 25 mph
Water	ASTM E 547	12.11 psf
Structural	AAMA/WDMA/CSA 101/I.S.2/A440-8 and 11	R-DP60 155 mph

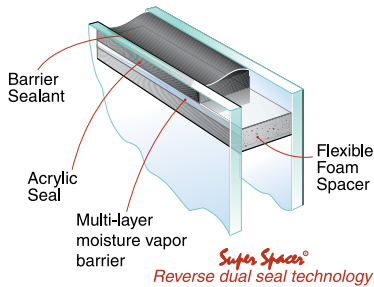
Aspect Casement Picture 60" x 63"		
Test	Test Specification	Results
Air	ASTM E 283	0.01 cfm/ft <sup>2</sup> @ 25 mph
Water	ASTM E 547	12.11 psf
Structural	AAMA/WDMA/CSA 101/I.S.2/A440-8 and 11	R-DP45 134 mph

Test data is a result of sizes shown, configurations and lab conditions of a certified independent third party laboratory.

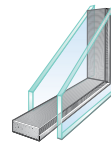
# GLASS

**LIFETIME**  
 – LIMITED WARRANTY –  
 Includes Glass Breakage  
 and Seal Failure

Most of your new window is glass...that's why we feature the ComforTech Warm Edge Glazing System featuring Super Spacer on all Aspect™ windows. This offers you reduced heat loss, warmer glass temperature and reduced interior condensation. All our ComforTech products have passed stringent testing and are IG Certified to insure our seals are durable and will not leak.

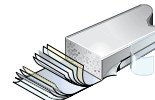


**ComforTech™**  
 Warm Edge Glazing System



### The No-Metal Advantage

Thermal efficiency through no presence of conductive metals is the Super Spacer hallmark.



### Mylar 10-Layer Vapor Barrier

The Super Spacer thermoset foam matrix is exceptional. Moisture is kept out, gas is kept in and conductivity is virtually nonexistent.



Aspect™ ComforTech™ Glass Package	R-Value	U Factor	SHGC	Visible Light	UV Transmittance
<b>¾" INSULATED GLASS UNIT</b>					
ComforTech DC	2	0.48	0.78	82%	63%
ComforTech DLA	4	0.25	0.40	73%	22%
ComforTech DLA-UV	4	0.25	0.27	65%	6.3%
ComforTech DLA-HC	5	0.20	0.39	69%	19%
ComforTech DLA-UV-HC	5	0.20	0.26	61%	5.5%
<b>1" INSULATED GLASS UNIT</b>					
ComforTech TLA	6	0.15	0.35	60%	7.6%
ComforTech TLA-UV	7	0.14	0.24	47%	0.7%
ComforTech TLK	9	0.11	0.35	60%	7.4%
Comfortech TLK-UV	10	0.10	0.23	47%	0.7%

Above chart reflects center of glass data. Refer to our thermal performance calculator on our website for NFRC and climate zone criteria.



### Lasting Appearance

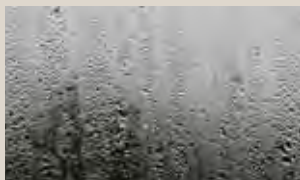
Our Warm Edge Glazing System stands up to the natural bending and bowing from temperature changes, barometric pressure and wind load.



### Enhanced Noise Reduction

Our all-foam formula's excellent sound-dampening properties reduce outside noise, even in industrial environments.

### Why Less Condensation Is Important



Window condensation is unsightly and can damage wood trim and walls.

In winter, many people humidify their homes. If they didn't, health

and skin complexions would suffer. However, increasing humidity can cause window condensation.

Condensation can also be caused by traditional, highly-conductive metal spacers, leading to lower perimeter edge temperatures. As a result, negative consequences can occur such as:

- Damaged wood, peeling paint and rotting frames
- Can contribute to mold growth
- Looks unsightly

# WHICH GLASS PACKAGE IS RIGHT FOR YOU?

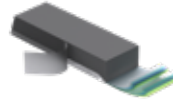
## FEATURING COMFORTECH™ WARM EDGE GLAZING SYSTEM

Most of your new window is glass. That's why we use the ComforTech Warm Edge Glazing System featuring Super Spacer® on all Aspect™ windows. This gives you less heat loss, warmer glass temperature and reduced interior condensation. All ComforTech products have passed stringent testing and are IG Certified to ensure seals are durable and will not leak.



### The No-Metal Advantage

Thermal efficiency through no presence of conductive metals is the Super Spacer hallmark.



### Mylar 10-Layer Vapor Barrier

The Super Spacer thermoset foam matrix is exceptional. Moisture is kept out, gas is kept in and conductivity is virtually nonexistent.



### Lasting Appearance

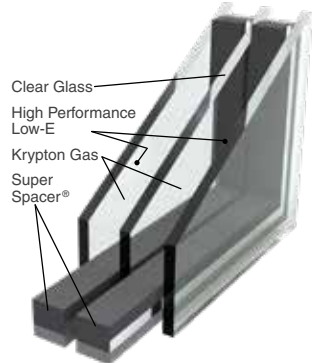
Our Warm Edge Glazing System stands up to the natural bending and bowing from temperature changes, barometric pressure and wind load.



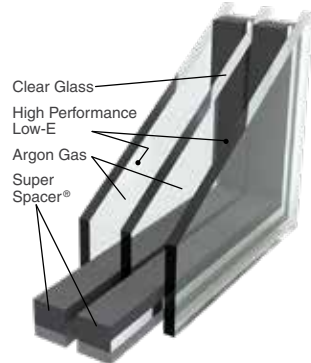
### Enhanced Noise Reduction

The all-foam formula's excellent sound dampening properties reduce outside noise, even in industrial environments.

ComforTech™ TLK



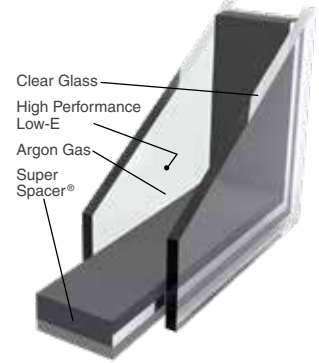
ComforTech™ TLA



ComforTech™ DLA-HC



ComforTech™ DLA



## WHAT'S THE DIFFERENCE?

### Krypton Gas

- Lowest conductivity of any gas used
- Raises the inner glazing temperature
- Inert to glass coatings, heat and spacers
- Performs best in small chambers

### Argon Gas

- Lower conductivity insulates better than air
- Sunlight stable, non-corrosive and non-toxic
- Chemically inert to UV radiation

# ADD EXTRA PRIVACY AND TINT TO YOUR WINDOW

## Privacy Options

Choose from five different types of glass if you need light to filter in, yet want to maintain privacy. These glass styles look great in bathrooms or any room where privacy is important. Regardless of where it is used, privacy glass reduces the likelihood of needing extra window coverings.



**CHINCHILLA**



**TAFFETA**



**WATERFALL**



**GLUECHIP**



**OBSCURE PEBBLE**

*Actual privacy levels will vary depending on your distance from the glass and also the amount of light in the room in comparison to the light outside your home. For extra privacy, choose two panes of privacy glass, rather than just one.*

## Tint Options

Our tinted glass can help reduce UV transmittance, solar heat gain and glare. Tinted glass options can give a room a whole new look. Each color has its own unique set of benefits. Be sure to choose the right one for you.



### **Solargray® Gray Tint**

- Excellent glare control
- Exceptional protection against interior fabric and color fading
- Ultraviolet light protection



### **Solexia® Green Tint**

- Subdues interior brightness
- High visible light transmittance



### **Solarbronze® Bronze Tint**

- High visible light transmittance
- Warm glow to interior decors
- Complements brick and stone facades
- Exterior subtle richness



### **Azuria® Blue Tint**

- Low shading coefficient
- High visible light transmittance
- Solar performance (reduces solar heat gain)





# STYLE YOUR WINDOW WITH GRIDS

The style of grids you choose can make a big impact on your home's appearance. Grids look great on the front side of a house or in accent windows throughout the home. You can choose from internal or external grids and several grid patterns including variations of Cottage, Colonial and Prairie styles



## External Grids

Simulated Divided Lites (SDL)

Grids are applied to the glass on both the interior and exterior of the window.

## Internal Grids

If you want grids, but prefer not to clean around them, opt for internal grids so you get the same look and feel, without the hassle.



Contoured

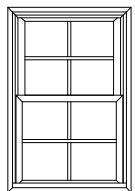


Flat

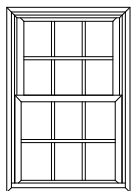


Pencil

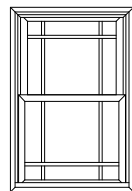
Available in Satin Nickel, Brass and Bronze



Cottage



Colonial



Prairie

Internal and external grids are available in many configurations of Cottage, Colonial and Prairie styles.



## Triple Glazed Glass

Internal grids with triple glazed glass are placed between two glass panes with the added efficiency of a third pane.



## Double Glazed Glass

Internal grids with double glazed glass are placed between two panes of glass.

# GRID OPTIONS



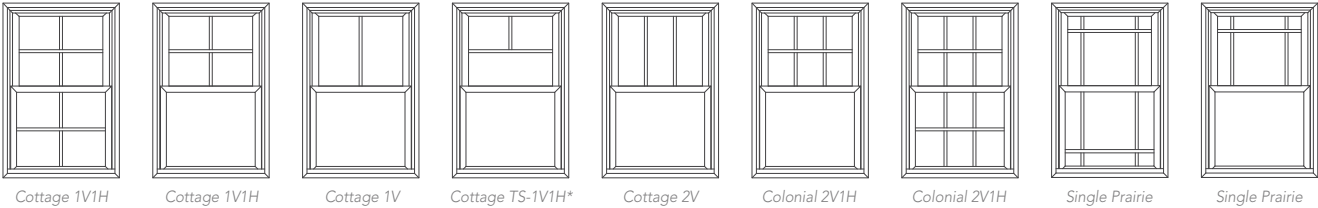
### Customize with Grids

The style of grids you choose can make a big impact on your home's appearance. We offer colonial, cottage, prairie and many other grid patterns. Choose from one of the patterns shown here, or see our price list for more information and options. The sample windows shown here are Double Hung and Casement, but grids are available in all windows.

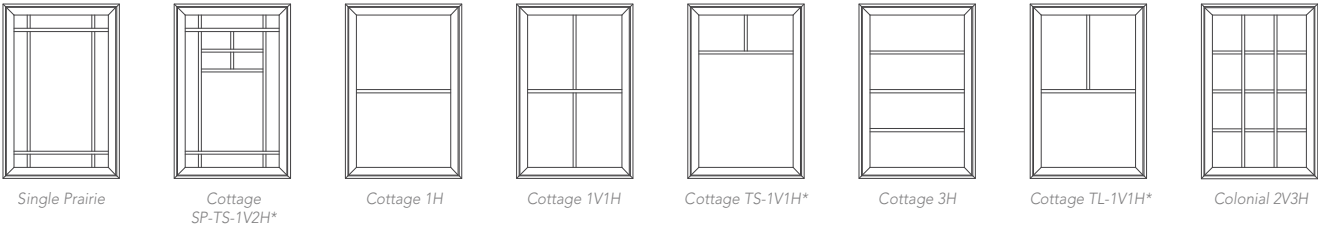
*\* Grid patterns only available with contoured grids.*

### Sample Grid Patterns

#### Double Hung



#### Casement





# SEE THE VIEW, NOT THE SCREEN

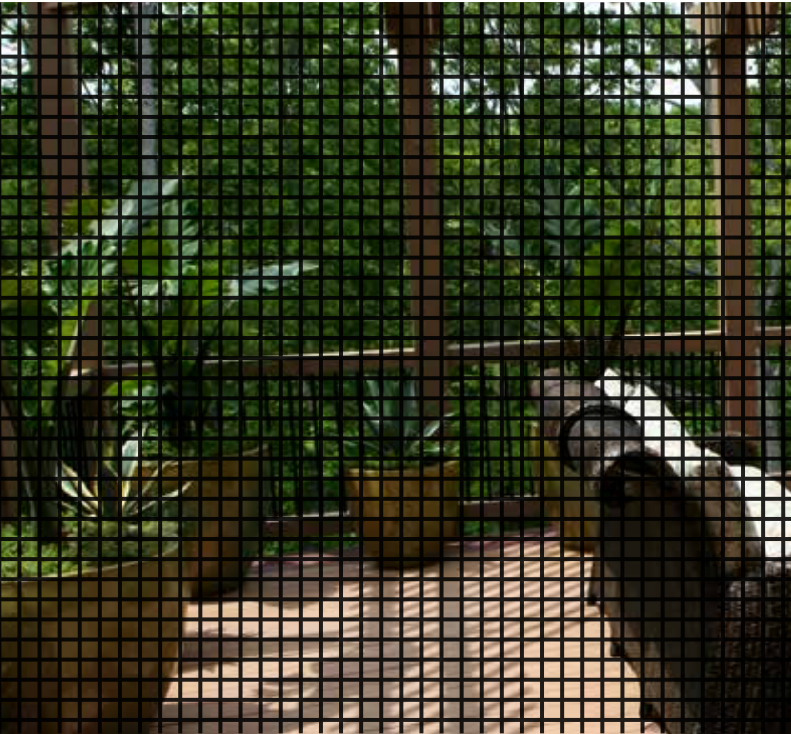
## UNDERSTANDING YOUR SCREEN OPTIONS

### BetterVue® Fiberglass Screen

Your Aspect™ window will come standard with a roll-formed screen frame with BetterVue fiberglass mesh. This screening product does for windows what high-definition technology has done for television viewing - it maximizes the view by making it sharper and more brilliant.

Your BetterVue fiberglass screen can be easily removed for regular cleaning and maintenance around the house. This screen is great for pool and patio enclosures to help keep the bugs out while maintaining high visibility. BetterVue screens provide great curb appeal, an enhanced view, increased insect protection and improved airflow. These screens are also very durable and flame retardant.

Standard Insect Screen



BetterVue Screen



## OTHER SCREEN OPTIONS

### FlexScreen®

This nearly indestructible screen with a hidden frame is available with either BetterVue or Heavy Duty mesh.



- Simple Design
- Easy to Use
- Damage Resistant

- Beautifully Invisible Frame
- Lifetime Limited Warranty

### SeeVue® Stainless Steel Screen

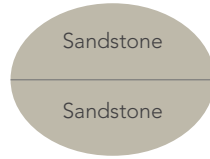
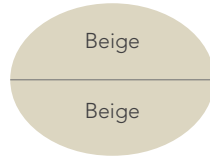
Much stronger than the standard insect screen, this stainless steel screen is excellent for window and patio door applications. It is black coated for improved visibility and allows superior airflow.

If you're looking for a stronger alternative to the BetterVue screen, upgrade to a SeeVue. This screen mesh is available in an extruded aluminum or roll-formed frame.



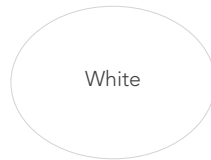
# CHOOSE YOUR COLOR

## Vinyl Window Colors



## TUFTEX Smooth Cladding Colors

Aluminum trim coil with mar-resistant smooth finish



Garden windows only available in White and Beige.  
Hopper windows only available in White.

# CHOOSE YOUR HARDWARE FINISH

## Double Hung and Slider Windows

Standard Finishes



White

Beige

Sandstone

Optional Decorative Finishes with DualTech™ Integrated Tilt Latches



Antique Brass

Satin Nickel

Flat Bronze

## Casement and Awning Windows

Standard Finishes



White

Beige

Sandstone

Optional Decorative Finishes



Antique Brass

Satin Nickel

Flat Bronze

White, beige or sandstone interior windows come standard with matching hardware.



# ADD INTERNAL BLINDS

If cleaning dusty blinds makes you cringe, be sure to add internal blinds to your windows. These blinds are made with sturdy, white aluminum and are custom-fit to the exact dimensions of each window.

Perfect for every room in your house, internal blinds can be lifted up to allow in maximum light or they can be tilted to offer some light while maintaining privacy needed in bedrooms or bathrooms.



Blinds can be added to Double Hung (top, bottom, or both sashes), Casement, Awning, Picture and Slider windows.

Internal Blinds come with a 10-year warranty.

Allow for additional lead time on your window order.







# FINISH YOUR WINDOW WITH MASTERFIT™ TRIM

Add the finishing touch to the interior of your windows with the MasterFit trim system, complete with assembled frame extensions that interlock with mortise and tenon casing. Our MasterFit trim system guarantees a precise, custom-fit and long-lasting factory applied finish.



## Profile Options



2½" Modern Profile    2½" Colonial Profile    3½" Colonial Profile    3½" Flat

## Additional Interior Trim Options



Traditional Interior Stop    Jamb Extension    Stool    Shoemold Interior Stop    Rosette

1¾" W x ½" H    2½", 4½", or 5½" W x ¾" H    3½" or 5½" W x 1" H    ¾" W x ½" H    3/8"

## Interior Stain Finishes

### Oak



### Cherry



### Maple



## Interior Paint Finishes

### Poplar



Always refer to our color selector for accurate color representation.