



PWA

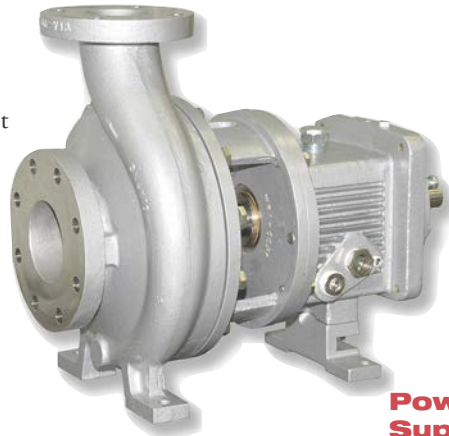
**ANSI / ASME B73.1
PROCESS PUMP**



COMPETITIVE ADVANTAGES

Carbon Steel vs. Ductile Iron

- High strength, impact resistant Carbon Steel liquid ends for improved durability and pressure containment at no additional cost.
- Replaces non-repairable, ductile iron casing and impellers, with repairable carbon steel, for extended component life.



Flange Arrangement Options

- Standard ANSI class 150# flange pressure rating, flat or raised face design, provided to meet customer specified requirements at no additional cost.
- Optional ANSI class 300# flange (375 PSI MAWP), flat or raised face design, provided at no additional cost over 150# flanges.



Shaft and Bearing Assembly

- Upgraded 316 SS vs. 4140 steel pump shaft is standard at no additional cost.
- Proven flinger disk lubrication device to ensure effective bearing lubrication. Provides 30% increased bearing L-10 life and minimum 15° lower bearing operating temperatures compared to flood oil design.



Structural Steel Base



Fabricated Steel Base



Fabricated Steel PLUS™ Base



Polymer composite, non-metallic

5 Year Unconditional Power Frame Warranty is Standard at No Additional Cost.



Power Frame Superiority

- Superior high strength carbon steel vs. inferior cast iron power frame material.
- Addresses environmental and safety concerns.
- Exclusive finned bearing frame for maximum heat dissipation.
- Convenient dual oil level sight glasses provide flexible viewing as standard.



Standard bore



Tapered bore



Big bore



Component seal



Single cartridge seal



Dual cartridge seal

Seal Chamber / Sealing Solutions

- Multiple seal chambers for maximum sealing flexibility for all process applications.
- Accommodates all mechanical seal manufacturer's component and ANSI cartridge seal configurations.
- Supports the full array of CPI seal support system options.
- Ensures superior leak protection with maximum heat dissipation, maximizing seal life and pump reliability.

Baseplate Systems

- Baseplate mounting structures designed to meet the full variety of installation applications.
- Designed for optimum unit reliability, while meeting user preferences for economy, chemical resistance and installation features.

All materials are USA sourced to meet all Country of Origin requirements.

DESIGN FEATURES AND BENEFITS

● Casing Gasket

- Fully confined to maximize liquid sealing
- Protects casing fits from corrosion, therefore increase maintenance ease and proper alignment during reassembly

● Seal Chamber / Sealing Options

- Multiple seal chambers for maximum sealing flexibility for all process applications.
- Accommodates all mechanical seal manufacturer's component and ANSI cartridge seal configurations
- Supports the full array of CPI seal support system options
- Ensures superior leak protection with maximum heat dissipation, maximizing seal life and pump reliability

● Frame Adapter

- Carbon Steel standard for increased strength and stability

● Casing

- Carbon Steel ASTM A216 material standard for improved durability and pressure containment
- Class 150# standard and 300# option
- Self venting, centerline mounted discharge flange
- Casing thickness exceeds ASME B73.1 specification for increased casing life
- Back pull out design for easy maintenance
- Full line of corrosive resistant materials

● Quality

- Manufactured and tested in the USA

● Impeller

- Fully open for increased corrosion, abrasion and solids wear resistance
- Back pump out vanes for reduced thrust loading and seal chamber operating pressure

● Delivery

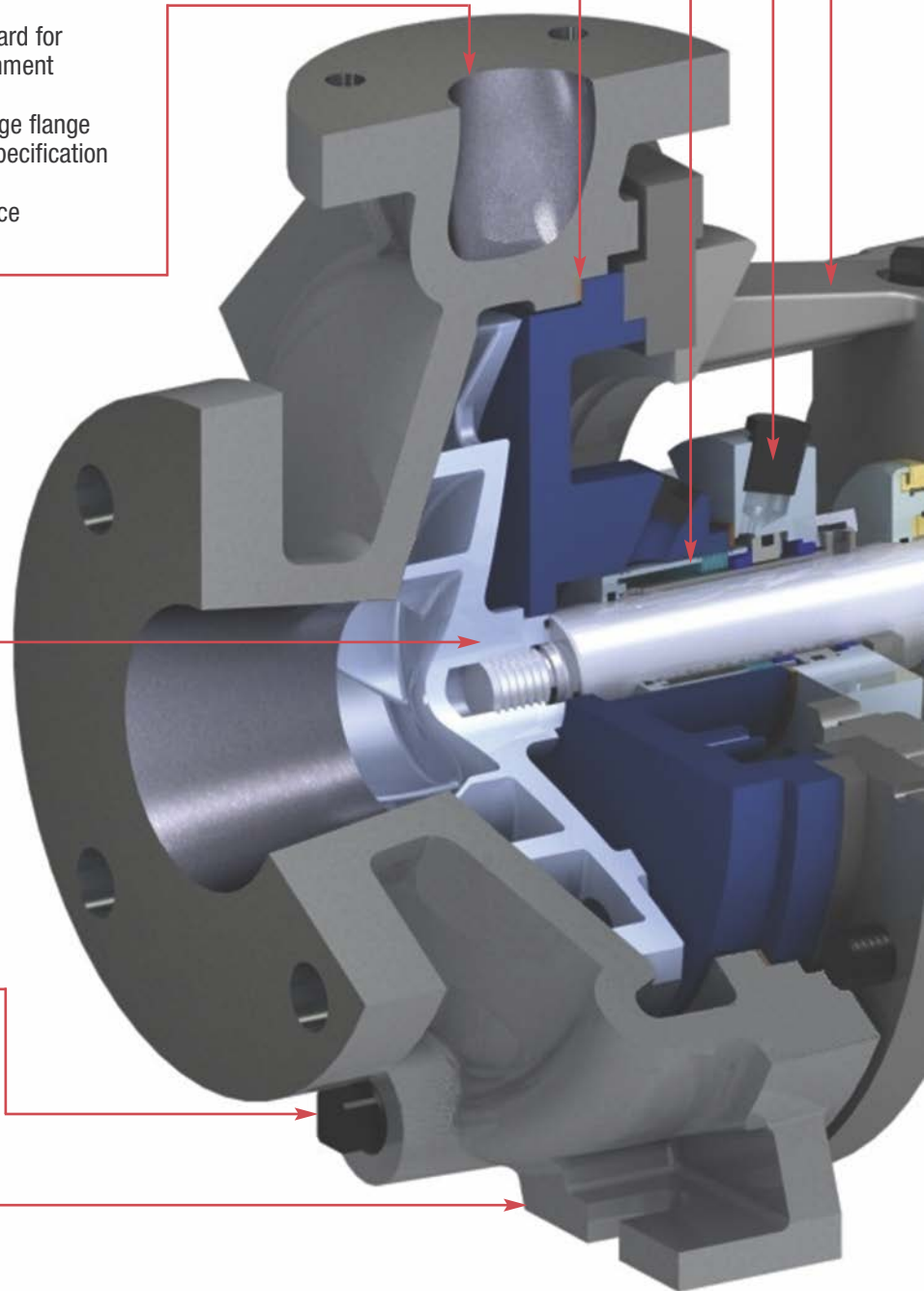
- Pump components strategically inventoried for rapid shipment in a variety of material options.

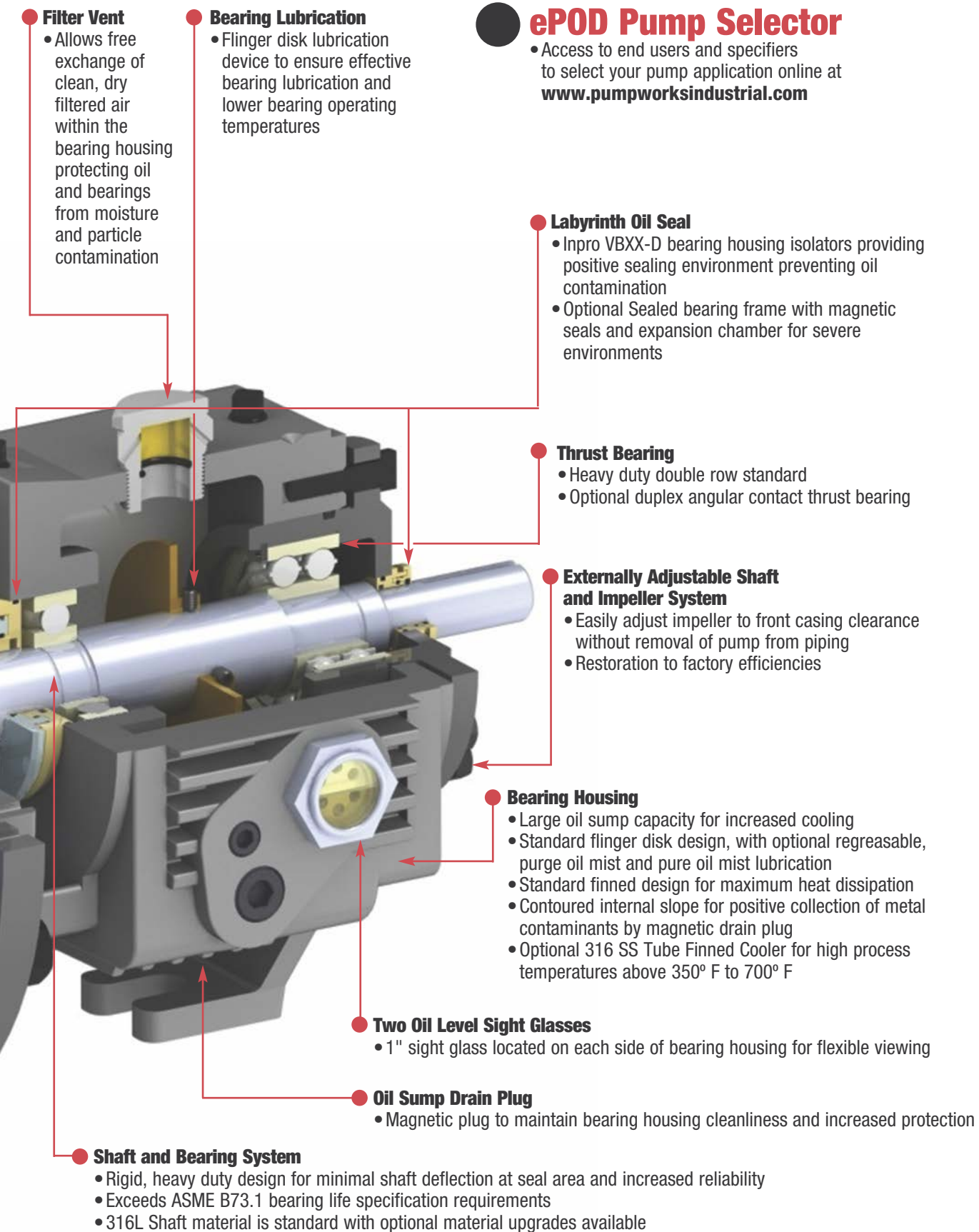
● Casing Drain

- Optional casing drain and drain piping

● Foot Mounted Casing

- Maximum casing stability and support for back pull out maintenance feature
- Reduced vibration





ePOD Pump Selector

- Access to end users and specifiers to select your pump application online at www.pumpworksindustrial.com

Filter Vent

- Allows free exchange of clean, dry filtered air within the bearing housing protecting oil and bearings from moisture and particle contamination

Bearing Lubrication

- Flinger disk lubrication device to ensure effective bearing lubrication and lower bearing operating temperatures

Labyrinth Oil Seal

- Inpro VBXX-D bearing housing isolators providing positive sealing environment preventing oil contamination
- Optional Sealed bearing frame with magnetic seals and expansion chamber for severe environments

Thrust Bearing

- Heavy duty double row standard
- Optional duplex angular contact thrust bearing

Externally Adjustable Shaft and Impeller System

- Easily adjust impeller to front casing clearance without removal of pump from piping
- Restoration to factory efficiencies

Bearing Housing

- Large oil sump capacity for increased cooling
- Standard flinger disk design, with optional regreasable, purge oil mist and pure oil mist lubrication
- Standard finned design for maximum heat dissipation
- Contoured internal slope for positive collection of metal contaminants by magnetic drain plug
- Optional 316 SS Tube Finned Cooler for high process temperatures above 350° F to 700° F

Two Oil Level Sight Glasses

- 1" sight glass located on each side of bearing housing for flexible viewing

Oil Sump Drain Plug

- Magnetic plug to maintain bearing housing cleanliness and increased protection

Shaft and Bearing System

- Rigid, heavy duty design for minimal shaft deflection at seal area and increased reliability
- Exceeds ASME B73.1 bearing life specification requirements
- 316L Shaft material is standard with optional material upgrades available

LEVERAGING TECHNOLOGY

PumpWorks Industrial leverages technology by providing:

- Superior manufacturing capabilities.
- Company owned USA foundry.
- Extensive inventory selection.
- Professional, reliable service.



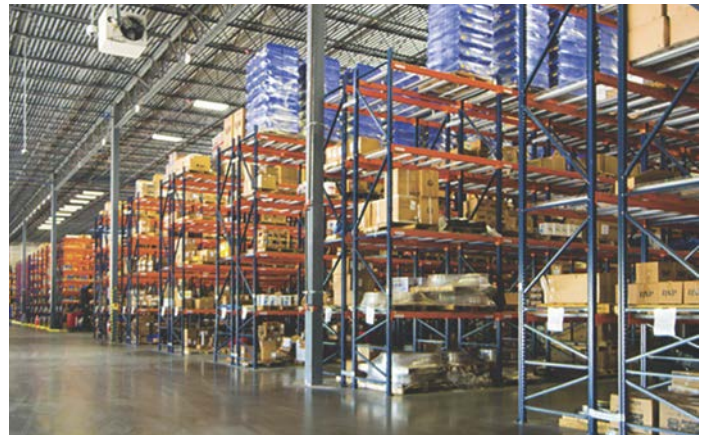
FOUNDRY PumpWorks Castings

- Precision investment cast impellers yields exceptionally smooth surface finish ensuring repeatable, efficient hydraulic performance.
- One ton piece part capacity. Metallurgies from Carbon Steel through Titanium.
- Complete in house casting inspection includes certified spectrographic, hardness, physical properties and live casting X-ray analysis.



MANUFACTURING

- All of our pumps are manufactured and tested in the United States of America, utilizing exclusive state-of-the-art manufacturing equipment and US foundries for all castings. This ensures consistent quality, product availability, and low cost of ownership.



INVENTORY

- Pump and component inventory in a variety of material options are strategically located through the Northern hemisphere ensuring consistent, rapid shipment tailored to customer requirements.

SERVICE

- Fully staffed professional sales and service teams providing superior customer support is available 24/7/365.



- ePOD Pump Selector access by end users and specifiers available online at no additional cost at www.pumpworksindustrial.com



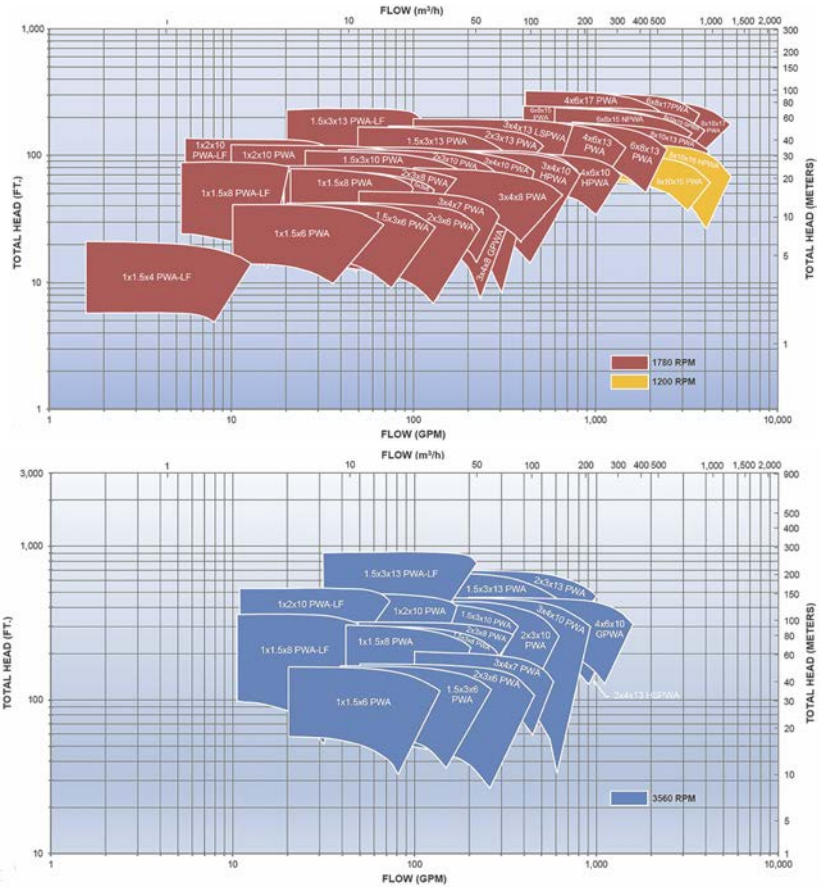
HYDRAULIC PERFORMANCE COVERAGE

60 Hz Performance Coverage

Visit our web site at www.pumpworksindustrial.com and specify flow and performance needs and obtain pump selection, performance curve, drawing, and data sheet.



Performances shown are nominal and are to be used for preliminary selection only.

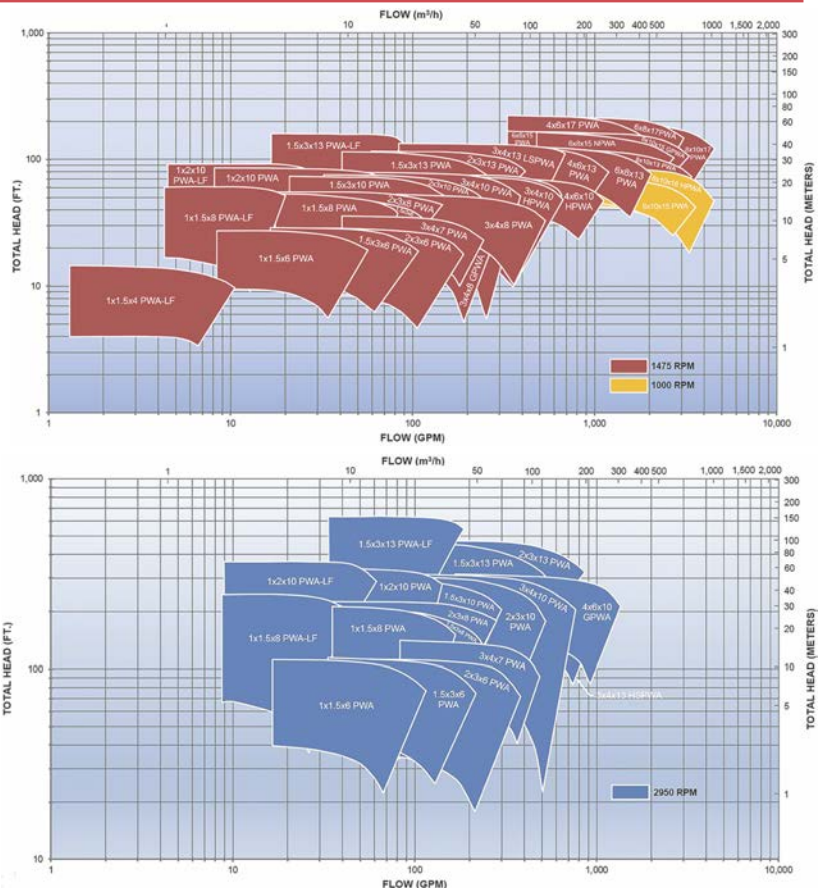


50 Hz Performance Coverage

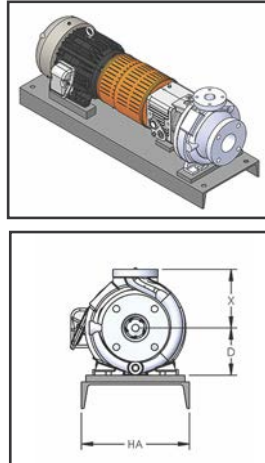
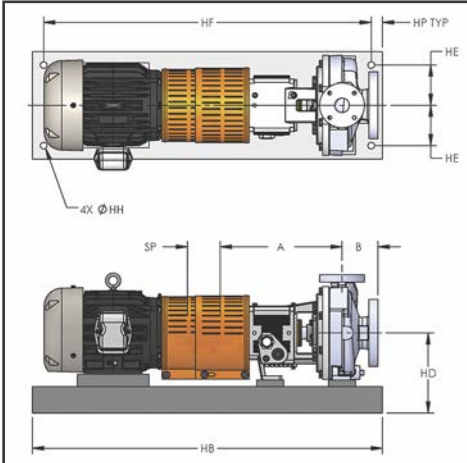
Visit our web site at www.pumpworksindustrial.com and specify flow and performance needs and obtain pump selection, performance curve, drawing, and data sheet.



Performances shown are nominal and are to be used for preliminary selection only.



PWA ANSI/ASME B73.1 PROCESS PUMP



Not to be used for construction unless certified by manufacturer.

NEMA MOTOR FRAME	WEIGHT lb (kg)
182T	98 (45)
184T	128 (58)
213T	197 (89)
215T	226 (103)
254T	375 (170)
256T	412 (187)
284T	495 (225)
286T	519 (235)
324T	700 (318)
326T	756 (343)
364T	948 (430)
365T	1009 (458)
405T	1330 (603)
444T	1820 (826)
445T	1893 (859)
447T	2343 (1073)
449T	3020 (1370)

PUMP DIMENSIONS AND WEIGHTS

Dimensions in inches (mm), weights in lbs. (kg)

FRAME	SIZE	ANSI DESIGNATION	DISCHARGE SIZE	SUCTION SIZE	X	A	B	D	SP	WEIGHT BARE PUMP lb (kg)				
GROUP 1	1x1.5x6	AA	1	1.5	6.5 (165)	13.5 (343)	4.0 (102)	5.25 (133)	3.75 (95)	110 (50)				
	1.5x3x6	AB	1.5	3						120 (55)				
	2x3x6	AC	2	3						125 (57)				
	1x1.5x8	AA	1	1.5						130 (59)				
	1.5x3x8	AB	1.5	3						135 (61)				
GROUP 2 / GROUP 3	3x4x7	A70	3	4	11 (280)	19.5 (496)	4 (102)	8.25 (210)	3.75 (95)	270 (122)				
	2x3x8	A60	2	3	9.5 (242)					265 (120)				
	3x4x8	A70	3	4	11 (280)					300 (137)				
	3x4x8G	A70	3	4										
	1x2x10	A05	1	2	8.5 (216)					280 (127)				
	1.5x3x10	A50	1.5	3						285 (129)				
	2x3x10	A60	2	3	9.5 (242)					275 (125)				
	3x4x10	A70	3	4	11 (280)					290 (132)				
	3x4x10H	A40	3	4	12.5 (318)					305 (138)				
	4x6x10G	A80	4	6	13.5 (343)					385 (175)				
	4x6x10H	A80	4	6										
	1.5x3x13	A20	1.5	3	10.5 (267)					10 (254)				350 (159)
	2x3x13	A30	2	3	11.5 (292)									355 (161)
	3x4x13	A40	3	4	12.5 (318)									370 (168)
4x6x13	A80	4	6	13.5 (343)	440 (200)									
GROUP 4	6x8x13	A90	6	8	16 (406)	27.875 (708)	6 (152)	14.5 (368)	5.25 (133)					620 (281)
	8x10x13	A100	8	10	18 (457)									740 (336)
	6x8x15	A110	6	8						700 (318)				
	8x10x15	A120	8	10						800 (363)				
	8x10x15G	A120	8	10	19 (483)					775 (352)				
	8x10x16H	A120	8	10						1030 (467)				
	4x6x17	A105	4	6	16 (406)					720 (327)				
	6x8x17	A110	6	8	18 (457)					815 (370)				
8x10x17	A120	8	10	19 (483)	885 (401)									

Weights and dimensions are approximate and not to be used for construction.

BASEPLATE DIMENSIONS AND WEIGHTS

Dimensions in inches (mm), weights in lbs. (kg)

MAX NEMA FRAME	ANSI BASEPLATE NUMBER	HA	HB	HD Max				HE	HF	HH	HP TYP	WEIGHT lb (kg)
				D=5.25 (133)	D=8.25 (210)	D=10 (254)	D=14.5 (368)					
184T	139	12 (381)	39 (991)	9 (229)				4.5 (114)	36.5 (927)	0.75 (19)	1.25 (32)	124 (56)
256T	148	15 (457)	48 (1219)	10.5 (267)				6 (152)	45.5 (1156)	0.75 (19)	1.25 (32)	195 (89)
326TS	153	18 (533)	53 (1346)	12.88 (327)				7.5 (191)	50.5 (1283)	0.75 (19)	1.25 (32)	258 (117)
184T	245	12 (381)	45 (1143)		12 (305)	13.75 (349)		4.5 (114)	42.5 (1080)	0.75 (19)	1.25 (32)	133 (61)
215T	252	15 (457)	52 (1321)		12.38 (314)	14.13 (359)		6 (152)	49.5 (1257)	0.75 (19)	1.25 (32)	189 (86)
286T	258	18 (533)	58 (1473)		13 (330)	14.75 (375)		7.5 (191)	55.5 (1410)	1 (25)	1.25 (32)	278 (127)
365T	264	21 (533)	64 (1626)		13.88 (353)	14.75 (375)		7.5 (191)	61.5 (1562)	1 (25)	1.25 (32)	395 (180)
405TS	268	24 (660)	68 (1727)		14.88 (378)	14.88 (378)		9.5 (241)	65.5 (1664)	1 (25)	1.25 (32)	430 (196)
449TS	280	26 (660)	80 (2032)		15.88 (403)	15.88 (403)		9.5 (241)	77.5 (1969)	1 (25)	1.25 (32)	437 (198)
286T	368	24 (660)	68 (1727)				19.25 (489)	9.5 (241)	65.5 (1664)	1 (25)	1.25 (32)	456 (208)
405T	380	26 (660)	80 (2032)				19.25 (489)	9.5 (241)	77.5 (1969)	1 (25)	1.25 (32)	580 (263)
449T	398	26 (660)	98 (2489)				19.25 (489)	9.5 (241)	95.5 (2426)	1 (25)	1.25 (32)	839 (382)

Weights and dimensions are approximate and not to be used for construction.

PWA INTERCHANGEABILITY CHART

Group	Shaft and Frame Assembly	Adapter	Cover	Impeller	Case	Size
<p>Group 1 1-3/8" Shaft Dia. Max BHP- 40HP</p>						1X1.5X6 AA 1.5X3X6 AB 2X3X6 AC 1X1.5X8 AA 1.5X3X8 AB
<p>Group 2 1-3/4" Shaft Dia. Max BHP- 122HP</p>						3X4X7 A70 2X3X8 A60 3X4X8 A70 3X4X8G A70 1X2X10 A05 1.5X3X10 A50 2X3X10 A60 3X4X10 A70 3X4X10H A40 4X6X10G A80 4X6X10H A80 1.5X3X13 A20 2X3X13 A30 3X4X13 A40 4X6X13 A80
<p>Group 3 2-1/8" Shaft Dia. Max BHP- 200HP</p>						1X2X10 A05 1.5X3X10 A50 2X3X10 A60 3X4X10 A70 3X4X10H A40 4X6X10G A80 4X6X10H A80 1.5X3X13 A20 2X3X13 A30 3X4X13 A40 4X6X13 A80
<p>Group 4 2-1/2" Shaft Dia. Max BHP- 250HP 17 IN PWA has 2-3/4" Shaft Dia. Max BHP- 350HP</p>						6X8X13 A90 8X10X13 A100 6X8X15 A110 8X10X15 A120 8X10X15G A120 8X10X16H A120 4X6X17 A105 6X8X17 A110 8X10X17 A120

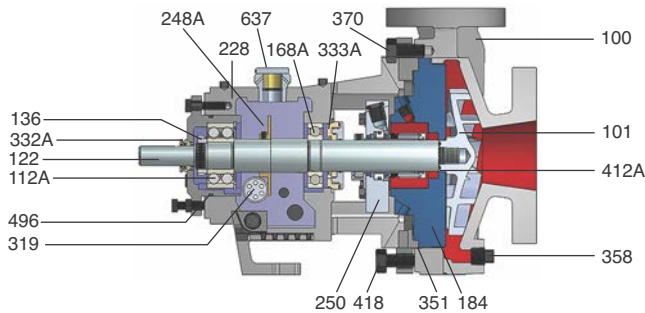
PWA ANSI/ASME B73.1 PROCESS PUMP

PARTS LIST AND MATERIALS OF CONSTRUCTION

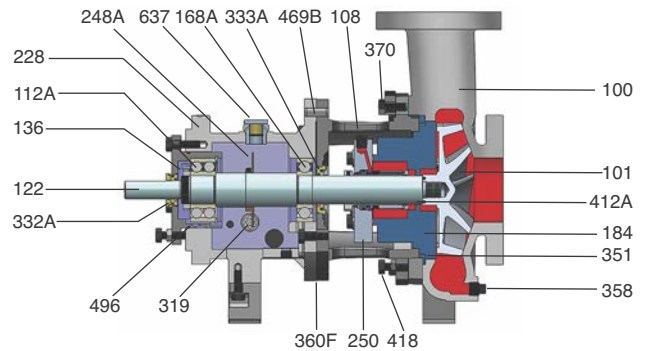
Item Ref Number	Part Name	Carbon Steel	Carbon Steel w/ 316 SS Impeller	316SS	CA6NM (12% Chrome)	Duplex SS	Super Duplex SS	Alloy 20	Monel	Nickel	Hastelloy B & C	Titanium	
100	Casing	Carbon Steel	Carbon steel	316SS	CA6NM (12%Chrome)	Duplex SS CD4 Gr1B	Super Duplex SS CD4 Gr5A	Alloy 20	Monel	Nickel	Hastelloy B & C	Titanium	
101	Impeller	Carbon Steel	316SS	316SS	CA6NM (12%Chrome)	Duplex SS CD4 Gr1B	Super Duplex SS CD4 Gr5A	Alloy 20	Monel	Nickel	Hastelloy B & C	Titanium	
105	Lantern Ring	Glass Filled Teflon											
106	Packing, Stuffing Box	Teflon - Impregnated Fibers											
108	Adapter, Frame	Carbon Steel											
112A	Thrust Bearing	Double Row Angular Contact - note (1)											
122	Shaft - Less Sleeve	316L (Optional-Alloy 20 & A2205)							Alloy 20	Monel	Nickel	Hastelloy B & C	Titanium
122	Shaft with Sleeve	316L (Optional-Alloy 20 & A2205)											
126	Shaft Sleeve	316SS (Optional-Alloy 20 & A2205)				Duplex SS CD4 Gr1B	Super Duplex SS CD4 Gr5A	Alloy 20	Monel	Nickel	Hastelloy B & C	Titanium	
136	Bearing Lock Nut and Lock Washer	Steel											
168A	Radial Bearing	Single Row Deep Groove											
184	Cover, Stuffing Box (Packed Box)	Carbon Steel	Carbon Steel	316SS	CA6NM (12%Chrome)	Duplex SS CD4 Gr1B	Super Duplex SS CD4 Gr5A	Alloy 20	Monel	Nickel	Hastelloy B & C	Titanium	
184	Seal Chamber (Mechanical Seal)	Carbon Steel	Carbon Steel	316SS	CA6NM (12%Chrome)	Duplex SS CD4 Gr1B	Super Duplex SS CD4 Gr5A	Alloy 20	Monel	Nickel	Hastelloy B & C	Titanium	
228	Frame, Bearing	Carbon Steel											
248A	Flinger with Set Screw	Bronze with Steel Set Screw											
250	Gland - Seal/Packing	316SS			CA6NM (12%Chrome)	Duplex SS CD4 Gr1B	Super Duplex SS CD4 Gr5A	Alloy 20	Monel	Nickel	Hastelloy B & C	Titanium	
370H	Stud/Nut, Cover to Adapter	304SS											
319	Sight Glass - Oil	Glass/Steel											
332A	INPRO-Oil Seal (Outboard)	Bronze											
333A	INPRO-Oil Seal (Inboard)	Stainless Steel/Bronze											
351	Gasket, Casing	Aramid Fiber with Binder											
358	Plug, Casing Drain (Optional)	Carbon Steel	Carbon Steel	316SS	CA6NM (12%Chrome)	Duplex SS CD4 Gr1B	Super Duplex SS CD4 Gr5A	Alloy 20	Monel	Nickel	Hastelloy B & C	Titanium	
360F	Gasket, Frame to Adapter	Buna Rubber											
360C	Gasket, Bearing End Cover	Cellulose Fiber with Binder											
370	Cap Screw, Adapter to Casing	Steel											
412A	O-ring, Impeller	Glass Filled Teflon											
418	Jacking Bolt	304SS											
469B	Dowel Pin, Frame to Adapter	Steel											
496	O-ring, Bearing Housing	Buna Rubber											
637	Filter Vent	Carbon Steel											

(1) Duplex angular contact bearing Standard on Group 3, Bearing Frame and optional on Group 1, 2, and 4.

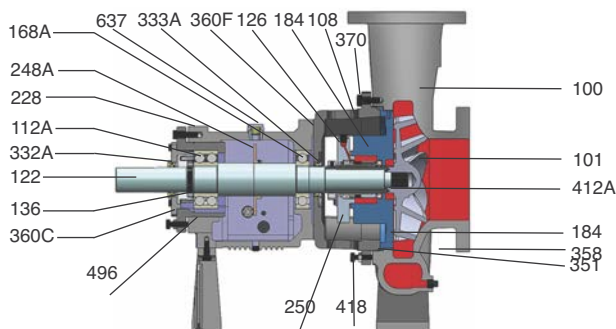
GROUP 1 Sectional View PWA



GROUP 2 / GROUP 3 Sectional View PWA



GROUP 4 Sectional View PWA



PWA ANSI/ASME B73.1 PROCESS PUMP

TECHNICAL DATA

All dimensions in inches and (mm)

		GP1	GP2	GP3	GP4
Shaft	Shaft Diameter at Impeller	0.75 (19)	1 (25)	1.25 (32)	1.5 (38)
	Diameter in Stuffing Box/Seal Chamber				
	(Less sleeve)	1.375 (35)	1.75 (45)	2.125 (54)	2.5 (64)
	(With sleeve)	1.125 (29)	1.5 (38)	1.875 (48)	2 (51) note 1
	Diameter Between Bearings	1.5 (38)	2.125 (54)	2.5 (64)	3.125 (79)
	Diameter at Coupling	0.875 (22)	1.125 (29)	1.875 (48)	2.375 (60)
	Overhang	6.125 (156)	8.375 (213)	8.375 (213)	9.969 (253)
	Maximum Shaft Deflection	0.002 (0.05)			
	Shaft Deflection Index (L^3 / D^4)				
	(Less sleeve)	64	63	48	25
	(With sleeve)	143	116	29	62
Sleeve	Outside Diameter thru Stuffing Box/Seal Chamber	1.375 (35)	1.75 (45)	2.125 (54)	2.5 (64) note 1
Bearings	Radial	6207	6309	6311	6313
	Thrust	3306	3309	7310	3313
	Bearing Span	4.125 (105)	6.75 (171)	6.875 (164)	9.25 (235)
Large Bore Seal Chamber	Bore	2.875 (73)	3.5 (89)	3.875 (98)	4.75 (120) note 1
Stuffing Box	Bore	2 (51)	2.5 (64)	2.875 (73)	3.375 (86) note 1
Maximum Power Limits	HP (kW) per 100 RPM	1.1 (0.82)	3.4 (2.6)	5.6 (4.2)	14 (10.5) note 2
Maximum Allowable Working Pressure note 3	MAWP PSI (kPa)	up to 280 PSI (1931 kPa) at 100° F with 150 # flanges			
		up to 375 PSI (2586 kPa) at 100° F with 300 # flanges – note 4			
		Consult Pressure Temperature chart for various temperatures			
Maximum Temperature note 5	Oil or Grease Lubricated Bearing Frame without Optional Cooling	350° F (177° C)			
	Oil Lubricated Power Frame with Option Cooling	700° F (370° C)			
Casing	Corrosion Allowance	0.125 minimum			

NOTES:

- 17 inch pump sizes - Shaft diameter at Stuffing Box / Seal Chamber is 2.25 inches (57) with sleeve. Shaft Sleeve Outside Diameter is 2.75 inches (70) for packing and 2.5 inches (64) for mechanical seals.
Seal chamber bore is 4.75 inches (121). Stuffing box bore is 3.625 inches (92).
- 17 inch pump sizes power limitation per 100 RPM is 20HP (15kW).
- Hydro-static test pressure equal to 1.5 times Maximum Allowable Working Pressure.
- Pressure ratings to 740 PSI (5137 kPa) – consult factory.
- Tube Finned Cooler, Jacketed Seal Chamber, Graphite Impeller O-ring and Casing Gasket for temperatures between 450° F (232° C) to 700° F (370° C).

Test Facilities

- Test flows up to 7,500 GPM.
- Discharge test pressures up to 740 PSI.
- Supply tank rated from full vacuum to 65 psi.
- 460 volt through 500 HP, 3600 RPM.
- Variable Frequency Drive for precise speed control through 500 HP @ 460 volt.

See our Test Facilities Brochure for more information.



Typical Industries

- Chemical/Petrochemical
- Pulp and Paper
- Food and Beverage
- Oil and Gas
- Primary Metals Manufacturing
- Mining
- Power Generation
- Waste Treatment
- General Industrial

