
Parts Manual

Qualidisc
HS2200-13, HS2200-16, HS2200-20 & HS2200-23



Read the Operator's manual entirely. When you see this symbol, the subsequent instructions and warnings are serious - follow without exception. Your life and the lives of others depend on it!



idisc

Cover illustration may show optional equipment not supplied with standard unit.



Table of Contents

Section 1: Introduction.....4
 Using This Manual.....4
 Manual Replacement Information.....4
 Manual Revisions.....4
 Touch-up Paint.....4
 Hardware Legend.....5
 Replacement Hardware.....5
 Serial Numbers.....5
 Part Number Service Coding.....5

Qualidisc

Section 2: Frames.....6
 ANSI - English Safety Decals.....6
 Extensions.....8
 Frames.....10
 Front Sign Assembly - Folding Frame - ANSI.....12
 Lighting Kit Without Seedbox - ANSI.....14
 Parking Stand.....16
 Reinforcement Arm For Roller.....18
 Rigid Wing Strut 4M.....20
 Roller Arm Hydraulic Setting.....22
 Safety Chain US-CA.....24
 US Linkage For Fixed Eye.....26

Section 3: Transport.....28
 Depth Control Front Wheels.....28
 No Brake Axle with Large Gauge.....30
 Wheels.....32

Section 4: Hydraulics.....34
 Hydraulic Depth Control.....34
 Hydraulic Folding.....36
 Hydraulic Lifting.....38
 Hydraulic Lifting Block.....40
 Parallel Lifting with Spacers.....42

Section 5: Gangs.....44
 Disc Arm.....44
 Disc Gang Bars.....46

Section 6: Attachments.....48
 Actipack Roller.....48
 Central Flow Management Kit.....50
 Lateral Deflectors.....52
 Pipe Roller.....54
 Rear Finger Harrow.....56

Part Number Index.....58

© Copyright 2020 All rights reserved Printed 12/16/20

Great Plains Manufacturing, Inc. provides this publication “as is” without warranty of any kind, either expressed or implied. While every precaution has been taken in the preparation of this manual, Great Plains Manufacturing, Inc. assumes no responsibility for errors or omissions. Neither is any liability assumed for damages resulting from the use of the information contained herein. Great Plains Manufacturing, Inc. reserves the right to revise and improve its products as it sees fit. This publication describes the state of this product at the time of its publication, and may not reflect the product in the future.

Great Plains Manufacturing, Incorporated Trademarks

The following are trademarks of Great Plains Mfg., Inc.: Application Systems, Ausherman, Land Pride, Great Plains

All other brands and product names are trademarks or registered trademarks of their respective holders.

Printed in the United States of America.



Alphabetized Table of Contents

Qualidisc

A	
Actipack Roller.....	48
ANSI - English Safety Decals.....	6
C	
Central Flow Management Kit.....	50
D	
Depth Control Front Wheels.....	28
Disc Arm.....	44
Disc Gang Bars.....	46
E	
Extensions.....	8
F	
Frames.....	10
Front Sign Assembly - Folding Frame - ANSI.....	12
H	
Hydraulic Depth Control.....	34
Hydraulic Folding.....	36
Hydraulic Lifting.....	38
Hydraulic Lifting Block.....	40
L	
Lateral Deflectors.....	52
Lighting Kit Without Seedbox - ANSI.....	14
N	
No Brake Axle with Large Gauge.....	30
P	
Parallel Lifting with Spacers.....	42
Parking Stand.....	16
Pipe Roller.....	54
R	
Rear Finger Harrow.....	56
Reinforcement Arm For Roller.....	18
Rigid Wing Strut 4M.....	20
Roller Arm Hydraulic Setting.....	22
S	
Safety Chain US-CA.....	24
U	
US Linkage For Fixed Eye.....	26
W	
Wheels.....	32



General Information

Using This Manual

This manual is divided into sections. The first section contains General Information, a Table of Contents, an Alphabetical Page Index, and a Part Number Index. The remaining sections divide the machine into segments (i.e. Frames, Drives, Hydraulics, etc.) which illustrate and list all parts.

The Great Plains parts in this manual are specially designed for this machine and should be replaced with Great Plains parts only.

The information in this manual is current at printing. Some parts may change to assure top performance.

Right-hand and left-hand as used in this manual are determined by facing the direction the machine will travel while in use.

Below is an example of two facing pages from a parts manual. Familiarize yourself with the contents of these pages.

Manual Replacement Information

Replacement manuals are available. Refer to your dealer or the Great Plains Publications Catalog for additional information.

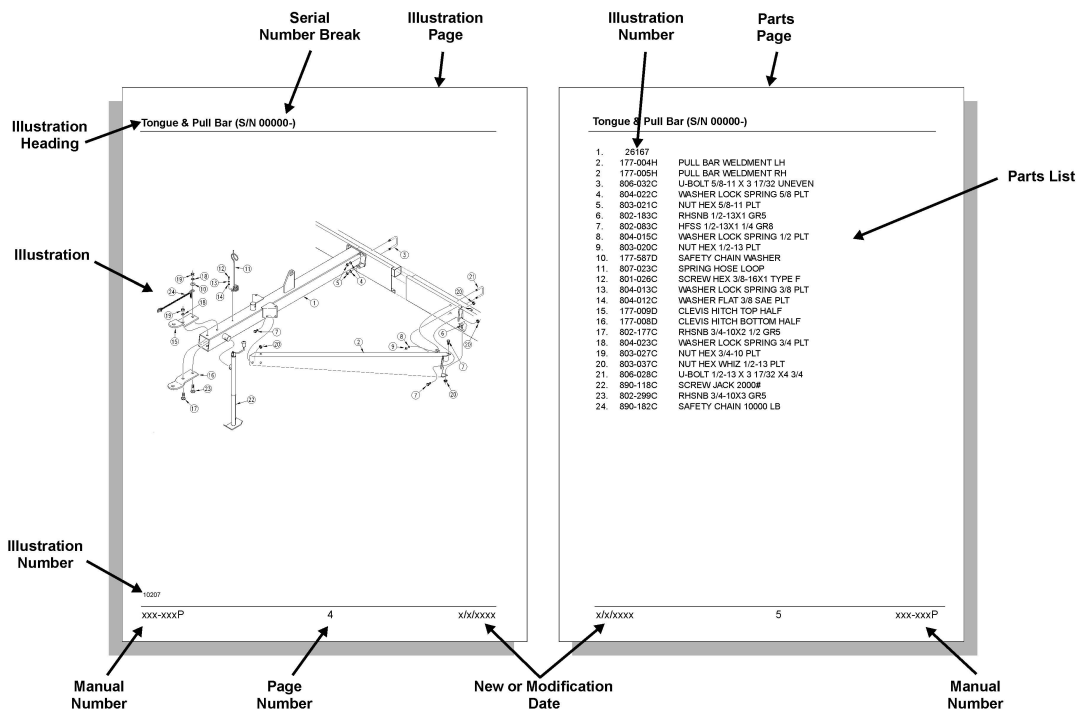
Manual Revisions

When this manual is revised, the modification date is printed on the front cover and on the revised page(s).

Touch-up Paint

Repaint parts where paint is worn or scratched to prevent rust. Aerosol touch-up paint is available. To order use Great Plains parts numbers below:

GP Green	821-001C
GP Black	821-002C
GP Beige	821-003C
GP Buckskin	821-004C



Hardware Legend

AR	As Required
BLADE	Blade Bolt
C	Cap Screw
CP	Cotter Pin
CPHSSS	Cup Point Hex Socket Set Screw
CPSHSS	Cup Point Square Head Set Screw
CPSQHSS	Cup Point Square Head Set Screw
CRFCHMS	Cross Recess Flat Countersunk Head Mach. Screw
CRPHMS	Cross Recess Pan Head Machine Screw
CRPHTFS	Cross Recess Pan Head Thread Forming
CRRHMS	Cross Recess Round Head Machine Screw
CRTHMS	Cross Recess Truss Head Machine Screw
CSNB	Countersunk Square Neck Bolt
FHMS	Flat Head Machine Screw
FTC	Full Thread Cap Screw
H	Hex Nut
HCLN	Hex Center Lock Nut
HFLCS	Hex Flange Lock Cap Screw
HFS	Hex Flange Screw
HFSLN	Hex Flange Serrated Lock Nut
HFSS	Hex Flange Serrated Screw
HHCS	Hex Head Cap Screw or Metric Bolt
HSBHCS	Hex Socket Button Head Cap Screw
HSFCHCS	Hex Socket Flat Countersunk Head Cap Screw
HSHCS	Hex Socket Head Cap Screw
HSSS	Hex Socket Head Screw
HTLN	Hex Top Lock Nut
HWHCS	Hex Washer Head Cap Screw

HWHMS	Hex Washer Head Machine Screw
HXBHCS	Hex Socket Button Head Cap Screw
J	Hex Jam Nut
JIC	37 Degree Tapered Thread
L	Helical Spring Lock Washer
LUG	Lug Bolt
NFC	National Fine Cap Screw
NPSM	National Pipe Straight Mechanical
NPTF	National Pipe Taper Fuel
P	Wide Plain Washer
PHMS	Pan Head Machine Screw
PLOW	Plow Bolt
RHMS	Round Head Machine Screw
RHSNB	Round Head Square Neck Bolt
SCREW LEVELING	Leveling Screw
SCREW THUMB	Thumb Screw
SCREW WELD	Weld Screw
SFCHMS	Slotted Flat Countersunk Head Machine Screw
SFHMS	Slotted Fillister Head Machine Screw
SP	Special
SP SCREW	Special Screw
SQHSS	Square Head Set Screw
SRHMS	Slotted Round Head Machine Screw
SSS	Socket Set Screw
STCS	Self Tapping Cap Screw
STHMS	Slotted Truss Head Machine Screw
WHEEL	Wheel Studs and Hub Long Bolts
WING	Wing Bolt

Replacement Hardware

The **Hardware Legend** above lists hardware abbreviations used in the parts lists. All bolts and nuts are grade 5 unless otherwise noted. The use of improper grades of hardware can result in personal injury, damage to equipment, or loss of property.

Serial Numbers

Always use the serial and model number when ordering parts. Refer to the operator's manual for serial number plate location.

(S/N 20001+ or S/N 20001 and above) Includes serial numbers 20001 and above (to the latest number)

(S/N 10001+→20000) Includes serial numbers between 10000 and 20001



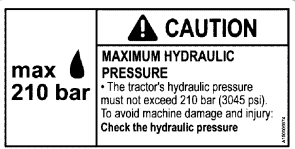






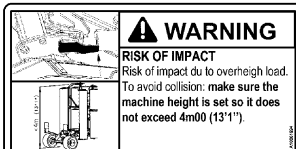
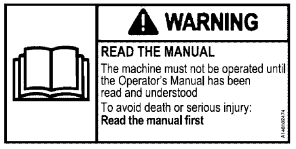

(S/N 10000- or S/N 10000 and below) Includes serial numbers 10000 and below (to the earliest number)

Table of Contents Part Number Index

Qualidisc

ANSI - English Safety Decals

(Applies to HS2200-13, HS2200-16, HS2200-20, HS2200-23 only)

<div style="border: 1px solid black; padding: 5px; margin-bottom: 5px;">  <p style="text-align: center; font-size: 24px; font-weight: bold;">①</p> </div> <div style="border: 1px solid black; padding: 5px; margin-bottom: 5px;">  <p style="text-align: center; font-size: 24px; font-weight: bold;">②</p> </div> <div style="border: 1px solid black; padding: 5px; margin-bottom: 5px;">  <p style="text-align: center; font-size: 24px; font-weight: bold;">③</p> </div> <div style="border: 1px solid black; padding: 5px; margin-bottom: 5px;">  <p style="text-align: center; font-size: 24px; font-weight: bold;">④</p> </div> <div style="border: 1px solid black; padding: 5px;">  <p style="text-align: center; font-size: 24px; font-weight: bold;">⑤</p> </div>	<div style="border: 1px solid black; padding: 5px; margin-bottom: 5px;">  <p style="text-align: center; font-size: 24px; font-weight: bold;">⑥</p> </div> <div style="border: 1px solid black; padding: 5px; margin-bottom: 5px;">  <p style="text-align: center; font-size: 24px; font-weight: bold;">⑦</p> </div> <div style="border: 1px solid black; padding: 5px; margin-bottom: 5px;">  <p style="text-align: center; font-size: 24px; font-weight: bold;">⑧</p> </div> <div style="border: 1px solid black; padding: 5px; margin-bottom: 5px;">  <p style="text-align: center; font-size: 24px; font-weight: bold;">⑨</p> </div> <div style="border: 1px solid black; padding: 5px;">  <p style="text-align: center; font-size: 24px; font-weight: bold;">⑩</p> </div>	<div style="border: 1px solid black; padding: 5px; margin-bottom: 5px;">  <p style="text-align: center; font-size: 24px; font-weight: bold;">⑪</p> </div> <div style="border: 1px solid black; padding: 5px;">  <p style="text-align: center; font-size: 24px; font-weight: bold;">⑫</p> </div>
---	---	---

69773

ANSI - English Safety Decals

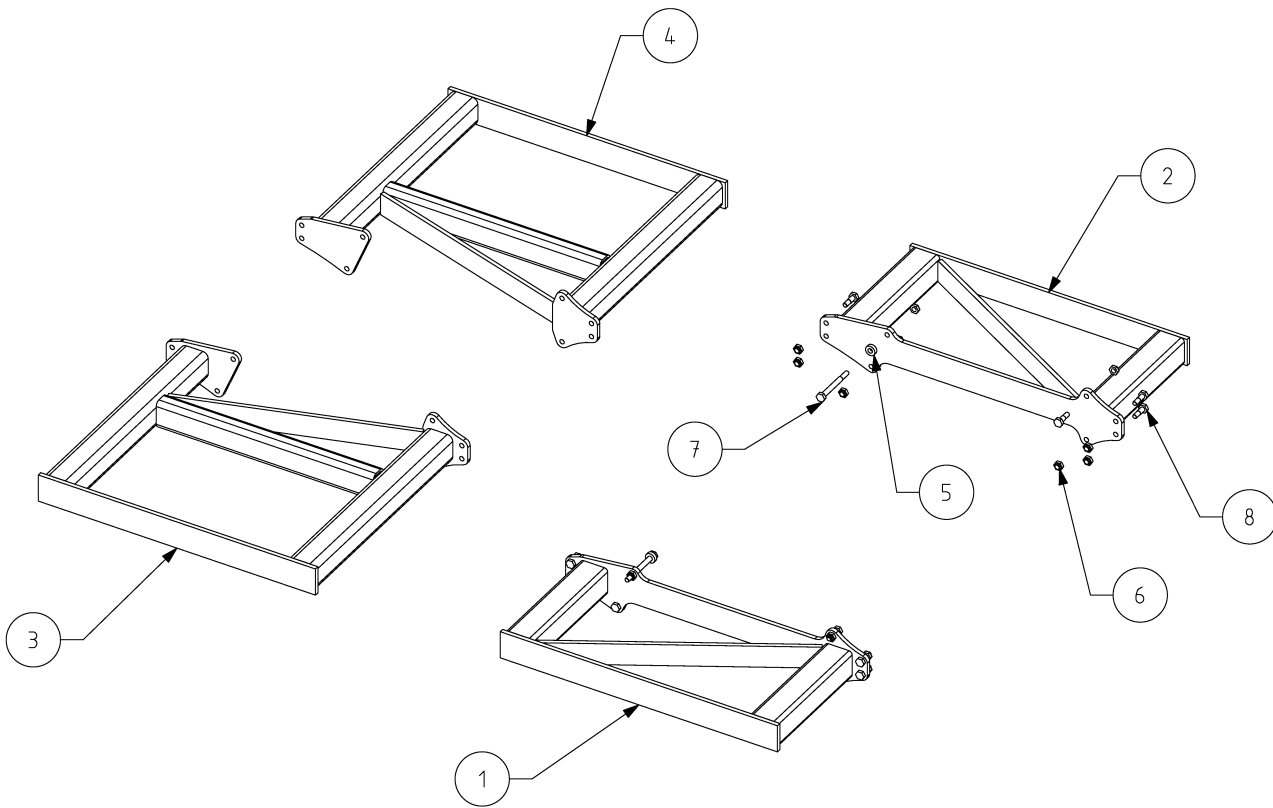
(Applies to HS2200-13, HS2200-16, HS2200-20, HS2200-23 only)

Ref	Part No.	Part Description	Comments	Revision
	DWGTP-69773	Image No.		
1.	A100008774	ANSI DECAL DANGER MOVABLE PARTS EN (L)		
2.	A100008974	ANSI DECAL DANGER PARTS EJECTED EN (L)		
3.	A100009974	ANSI DECAL CAUTION MAX 210 BAR EN (L)		
4.	A100015574	ANSI DECAL CRUSHING 116X60 EN		
5.	A100015774	ANSI DECAL COUPLING 116X60 EN		
6.	A100015974	ANSI DECAL FOOT CUT 116X60 EN		
7.	A100016174	ANSI DECAL CRUSHING TOES 116X60 EN		
8.	A100016374	ANSI DECAL CRUSHING 116X60 EN		
9.	A100016574	ANSI DECAL DOWNFALL 116X60 EN		
10.	A100016974	ANSI DECAL HEIGHT 116X60 EN		
11.	A140102474	ANSI WARNING DECAL READ MANUAL 116X60 EN		
12.	A140143874	ANSI EN DECAL60X116-ISO8889G28		

Qualidisc

Extensions

(Applies to HS2200-13, HS2200-16, HS2200-20, HS2200-23 only)



69748

Extensions

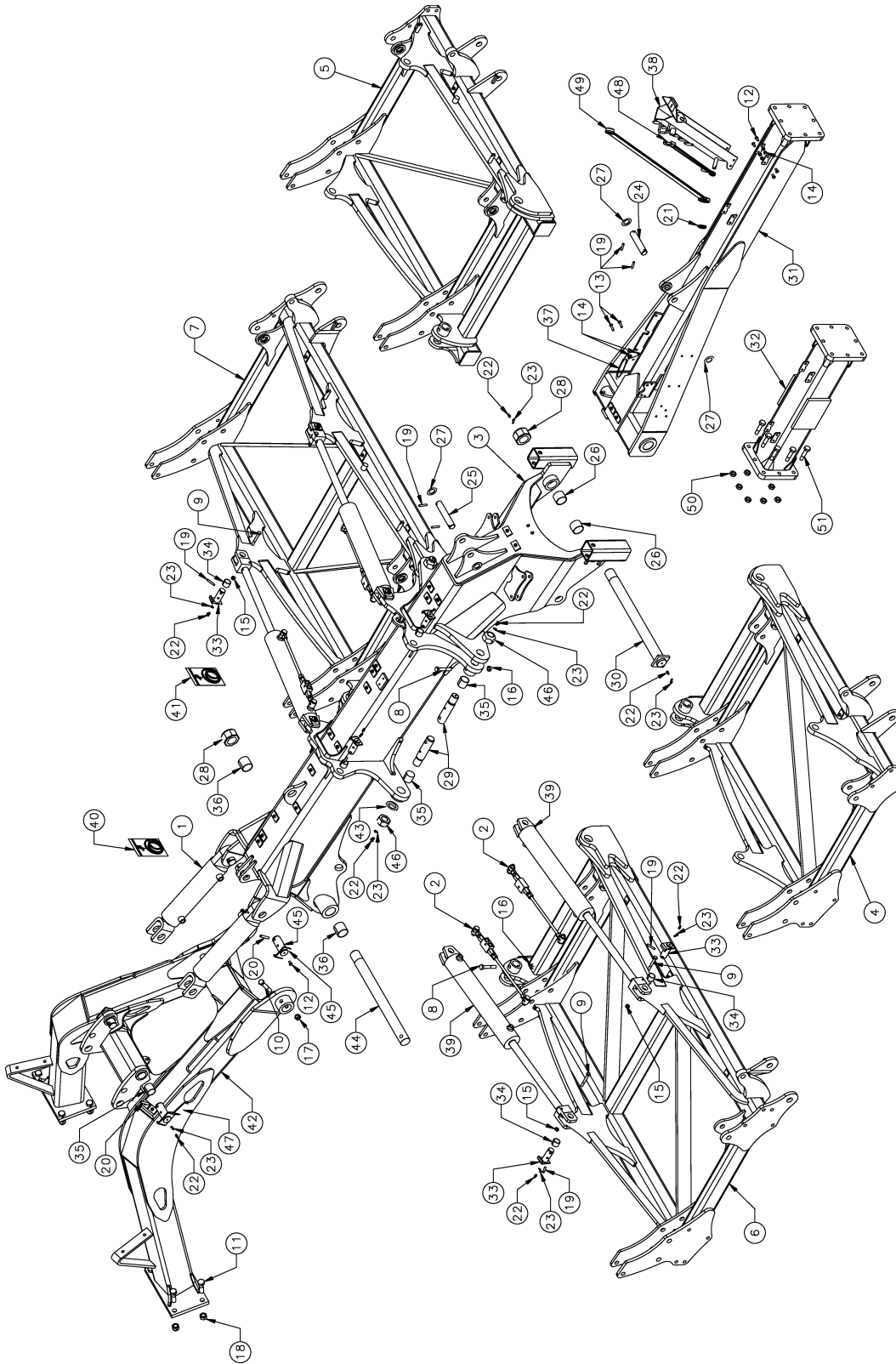
(Applies to HS2200-13, HS2200-16, HS2200-20, HS2200-23 only)

Ref	Part No.	Part Description	Comments	Revision
	DWGTP-69748	Image No. Note: Parts ending in 91 Note: Parts ending in 94	Painted GP Green (limited stock) Painted KV Red. (alternative)	
1.	A135481691	1M00 RIGHT SIDE EXTENSION	16 & 20' machines, see paint note.	
2.	A135481791	1M00 LEFT SIDE EXTENSION	16 & 20' machines, see paint note.	
3.	A135481891	1M50 RIGHT SIDE EXTENSION	23' machine, see paint note.	
4.	A135481991	1M50 LEFT SIDE EXTENSION	23' machine, see paint note.	
5.	RF2992763	WASHER 35 17 LG 12		
6.	KK016025	LOCK NUT M16		
7.	KK032710	HEX BOLTM16X155		
8.	KK032750	HEX BOLT M16X50 10.9		

Qualidisc

Frames

(Applies to HS2200-13, HS2200-16, HS2200-20, HS2200-23 only)



69744

Frames

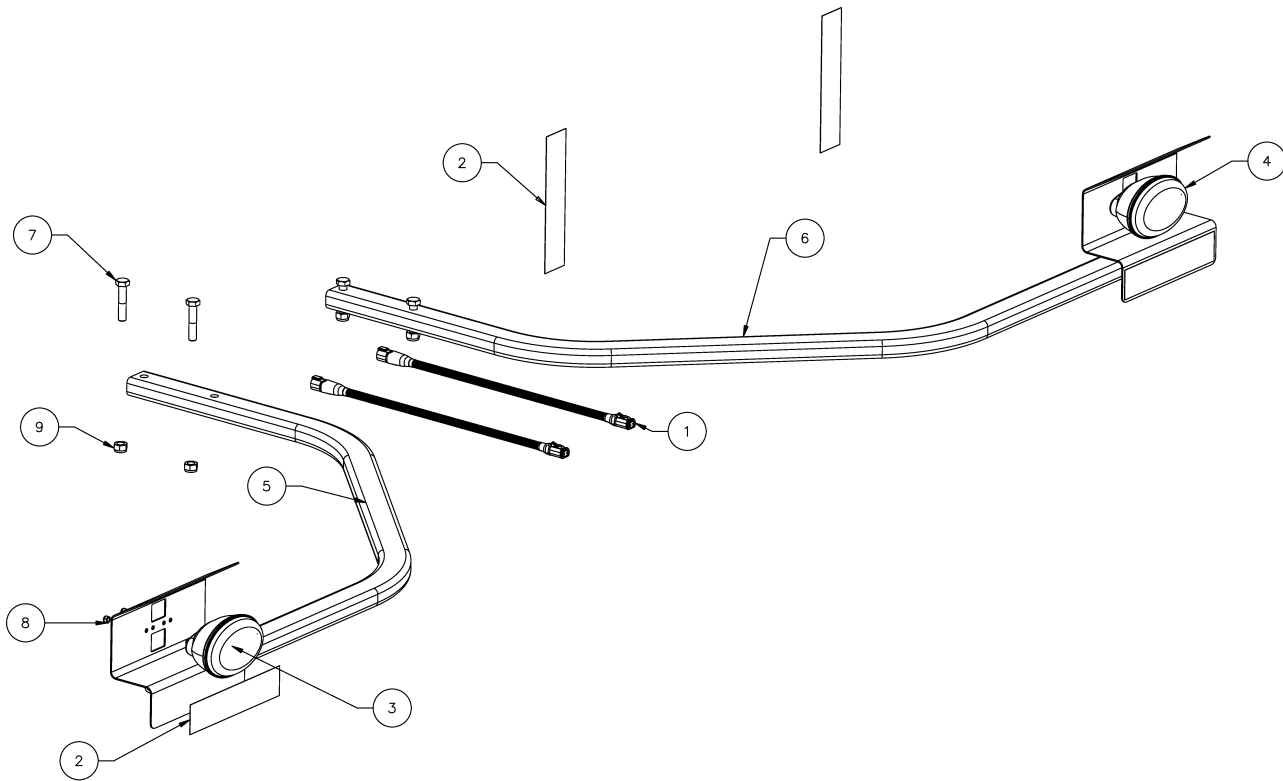
(Applies to HS2200-13, HS2200-16, HS2200-20, HS2200-23 only)

Ref	Part No.	Part Description	Comments	Revision
	DWGTP-69744	Image No. Note: Parts ending in 91 Note: Parts ending in 94	Painted GP Green (limited stock) Painted KV Red. (alternative)	
1.	A135270486	HYD CYLINDER DE Ø90 Ø40 C250 EAF560		
2.	A135323930	EQUIPPED DOUBLE STOP VALVE KIT		
3.	A135472391	TRAILED MAIN FRAME	see paint note	
4.	A135501091	4M RIGHT SIDE FRAME	13 & 16' machines, see paint note	
5.	A135501191	4M LEFT SIDE FRAME	13 & 16' machines, see paint note	
6.	A135501291	6M RIGHT SIDE FRAME	20 & 23' machines, see paint note	
7.	A135501391	6M LEFT SIDE FRAME	20 & 23' machines, see paint note	
8.	KG00338361	HEX. BOLT M14X80 10.9		
9.	KG00356061	HEX. BOLT M10X80 8.8		
10.	KG00362761	HEX. BOLT M16X100 8.8		
11.	KG00366661	HEX. BOLT M20X70 8.8		
12.	KG00471761	HEX. SCREW M8X16 8.8 GALV. DIN 933		
13.	KG00472261	ML2. SCREW M8X30 8.8		
14.	KG01067561	LOCK NUT M8 8		
15.	KG01067661	LOCK NUT M10 8		
16.	KG01067861	LOCK NUT M14 8		
17.	KG01067961	LOCK NUT M16 8		
18.	KG01068161	LOCK NUT M20 8		
19.	KG01191962	TENSION PIN 8X45		
20.	KG01194262	TENSION PIN 10X60 GALV. DIN1481		
21.	RF00438	SAFETY PIN 6X42 ZN DIN 11023		
22.	VN41702899	GREASE NIPPLE M8X1,25		
23.	RF02345	GREASE NIPPLE MARKER GPN 985		
24.	RF1368061	PIN Ø30 L.U. 118		
25.	RF1771261	PIN DIA 30 LG 168		
26.	RF20523	RING PERMAGLIDE PAP 5040 P 20		
27.	RF22033	YELLOW ZINCED WASHER DIA 30.5X50X2		
28.	RF23915	LOCK NUT M48		
29.	RF2577861	ARTICULATION AXLE		
30.	A135637700	DRAW BAR SHAFT		
31.	RF2587991	DRAW BAR	see paint note	
32.	RF2666791	DRAW BAR EXTENSION	see paint note	
33.	RF2716661	CYLINDER PIN LU 58		
34.	RF27169	RING 30/34 LENGHT 25 MM		
35.	RF27170	RING 40/44 LENGHT 40 MM		
36.	RF27171	RING 50/55 LENGHT 50 MM		
37.	RF2919763	DOCUMENTS HOLDER SHEET		
38.	RF2920191	HYDRAULIC HOSES HOLDER	see paint note	
39.	RF2981986	CYLINDER DE 35X80 C450 EAF 705	For 13', 16' & 20' machines	
39.	RF2981686	HYD CYLINDER 35X100 C 450 EAF 705	For 23' machines	
40.	RF30323	SEAL KIT CYLINDER RF3032200/A1352704		
41.	RF30532	CYLINDER SEAL KIT CHA-RF2981900	For 13', 16' & 20' machines	
41.	RF29817	RF29816 CYLINDER SEAL KIT	For 23' machines	
42.	RF3061491	WHEEL WAGON	see paint note	
43.	RF3063661	WASHER Ø60 / Ø40 LG 12		
44.	RF3063961	PIN 021650 LENGHT 615		
45.	RF3080161	PIN Ø40		
46.	RF31170	LOCK NUT M36 8 DIN 980V ZN		
47.	RF3178361	PIN Ø40		
48.	KK010606	SPANNER NV27-19 L450		
49.	KK010650	UNIVERSAL SPANNER NV 27-36		
50.	KK016025	LOCK NUT M16		
51.	KK032770	HEX BOLT M16X70 10.9		

Qualidisc

Front Sign Assembly - Folding Frame - ANSI

(Applies to HS2200-13, HS2200-16, HS2200-20, HS2200-23 only)



69771

Front Sign Assembly - Folding Frame - ANSI

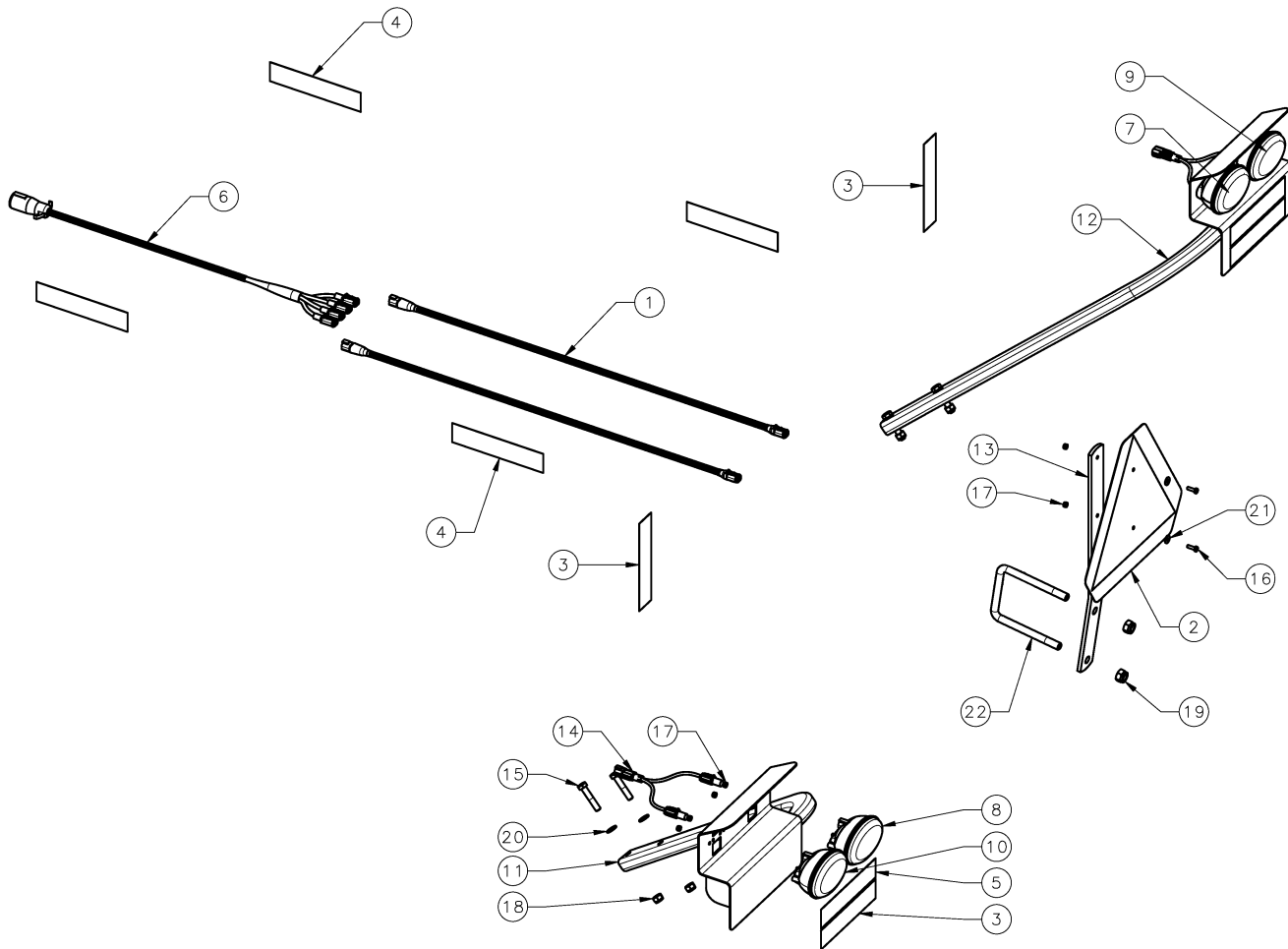
(Applies to HS2200-13, HS2200-16, HS2200-20, HS2200-23 only)

Ref	Part No.	Part Description	Comments	Revision
	DWGTP-69771	Image No. Note: Parts ending in 91 Note: Parts ending in 94	Painted GP Green (limited stock) Painted KV Red. (alternative)	
1.	A135015000	EXTENSION + DT 4 WAY CONNECTOR 2500		
2.	A135064600	YELLOW RETROREFLECTIVE STRIP		
3.	A135098700	AWL LIGHT SAE RIGHT		
4.	A135098800	AWL LIGHT SAE LEFT		
5.	A135315391	FRONT LIGHTING BRACKET RIGHT NA	see paint note	
6.	A135315491	FRONT LIGHTING BRACKET LEFT NA	see paint note	
7.	KG00357761	HEX. BOLT M12X60 8.8		
8.	KG01067361	LOCK NUT M6 8		
9.	KG01067761	LOCK NUT M12 8		

Qualidisc

Lighting Kit Without Seedbox - ANSI

(Applies to HS2200-13, HS2200-16, HS2200-20, HS2200-23 only)



69767

Lighting Kit Without Seedbox - ANSI

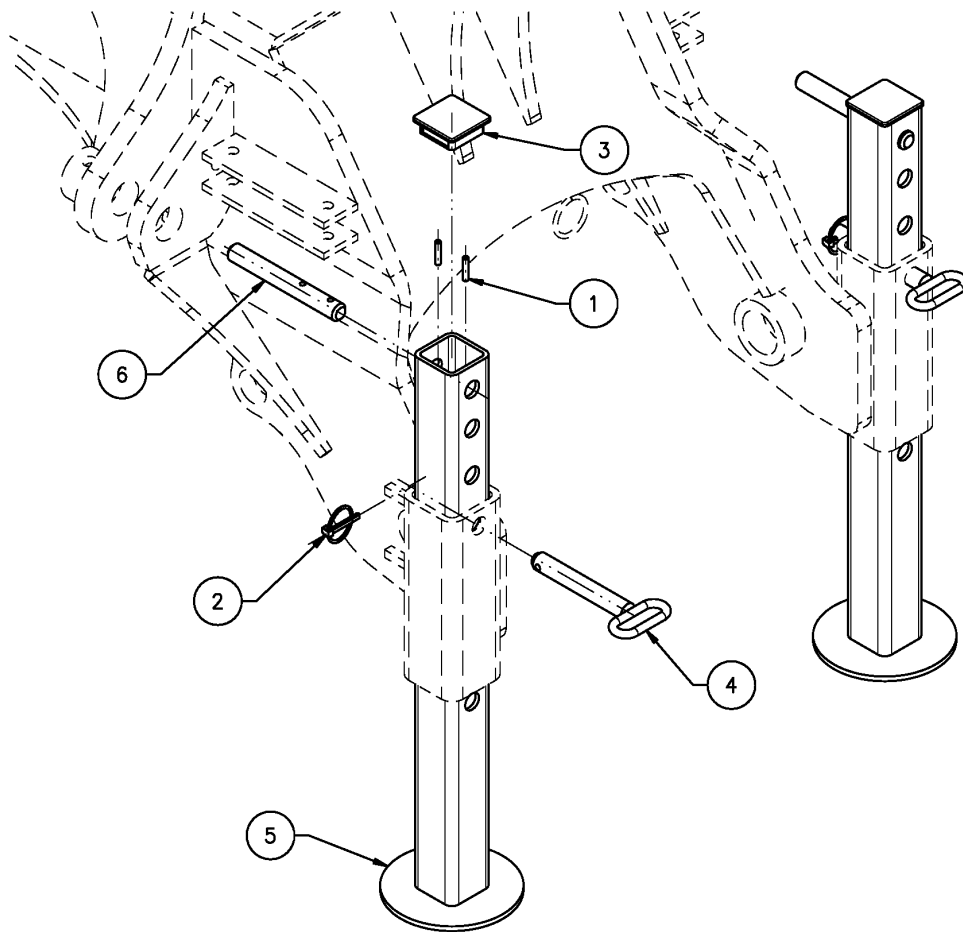
(Applies to HS2200-13, HS2200-16, HS2200-20, HS2200-23 only)

Ref	Part No.	Part Description	Comments	Revision
	DWGTP-69767	Image No. Note: Parts ending in 91 Note: Parts ending in 94	Painted GP Green (limited stock) Painted KV Red. (alternative)	
1.	A135016300	EXTENSION + DT 4 WAY CONNECTOR 5500		
2.	A135064400	SMV IDENTIFICATION		
3.	A135064500	RED RETROREFLECTIVE STRIP		
4.	A135064600	YELLOW RETROREFLECTIVE STRIP		
5.	A135064700	ORANGE FLUORESCENT STRIP		
6.	A135098200	LIGHTING SET 5500 NORTH AMERICA		
7.	A135098500	REAR LIGHT SAE RIGHT		
8.	A135098600	REAR LIGHT SAE LEFT		
9.	A135098700	AWL LIGHT SAE RIGHT		
10.	A135098800	AWL LIGHT SAE LEFT		
11.	A135105591	REAR SIGN HOLDER LEFT NA	see paint note	
12.	A135105691	REAR SIGN HOLDER RIGHT NA	see paint note	
13.	A135105991	FIXING PLATE	see paint note	
14.	A135108400	CONNECTOR ADAPTOR		
15.	KG00357761	HEX. BOLT M12X60 8.8		
16.	KG00468961	HEX. SCREW M6X20 8.8		
17.	KG01067361	LOCK NUT M6 8		
18.	KG01067761	LOCK NUT M12 8		
19.	KG01067961	LOCK NUT M16 8		
20.	KG01267561	WASHER M12		
21.	KG01900261	WASHER M6X18		
22.	RF16490	U-BOLT DIAM.16 120X120		

Qualidisc

Parking Stand

(Applies to HS2200-13, HS2200-16, HS2200-20, HS2200-23 only)



69772

Parking Stand

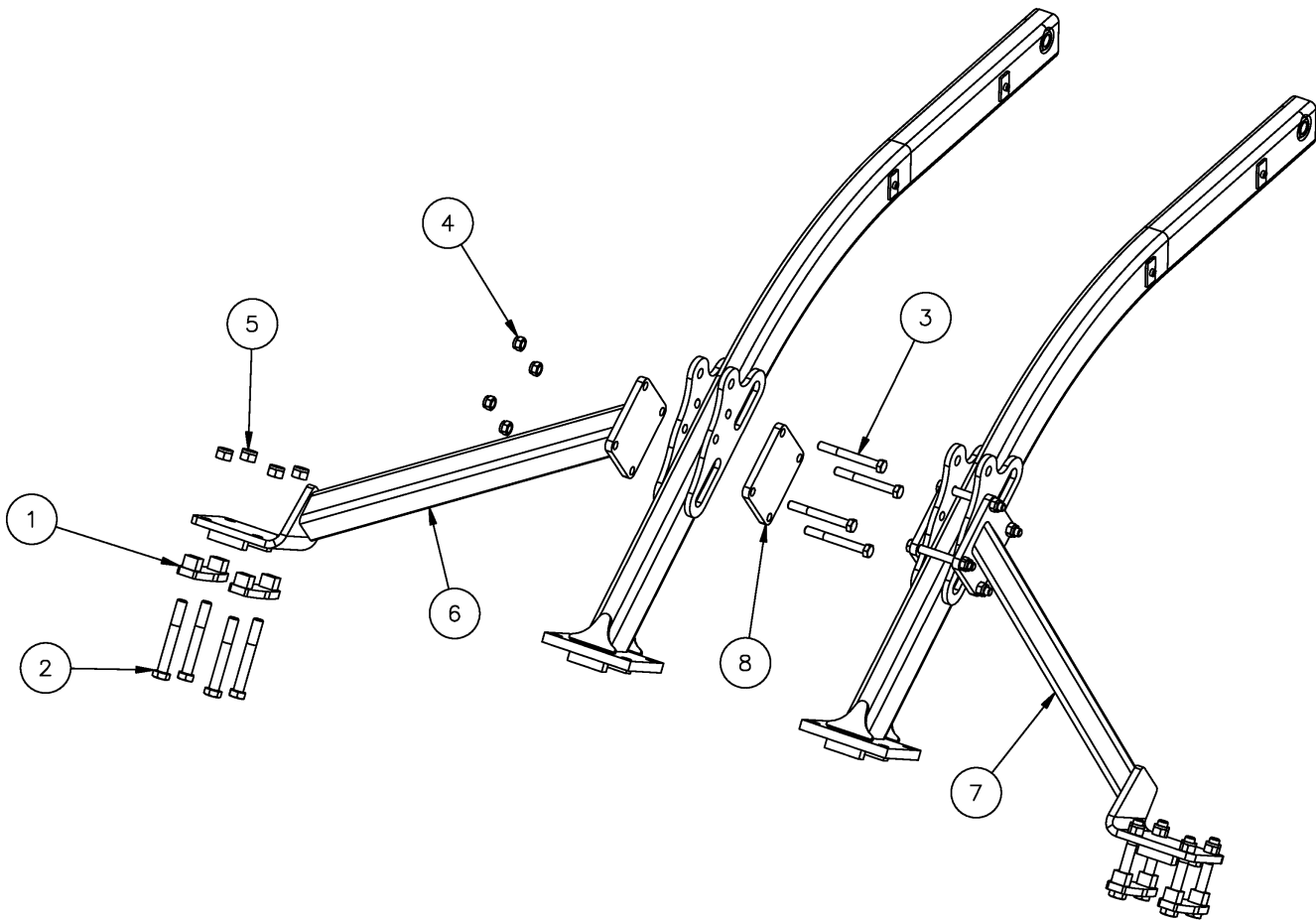
(Applies to HS2200-13, HS2200-16, HS2200-20, HS2200-23 only)

Ref	Part No.	Part Description	Comments	Revision
	DWGTP-69772	Image No. Note: Parts ending in 91 Note: Parts ending in 94	Painted GP Green (limited stock) Painted KV Red. (alternative)	
1.	KG01189462	TENSION PIN 6X30		
2.	RF00438	SAFETY PIN 6X42 ZN DIN 11023		
3.	RF03790	CAP		
4.	RF2646163	SETTING AXLE		
5.	RF2995291	STAND WELDED	see paint note	
6.	RF3002161	PIN Ø20 LG 160		

Qualidisc

Reinforcement Arm For Roller

(Applies to HS2200-23 only)



69759

Reinforcement Arm For Roller

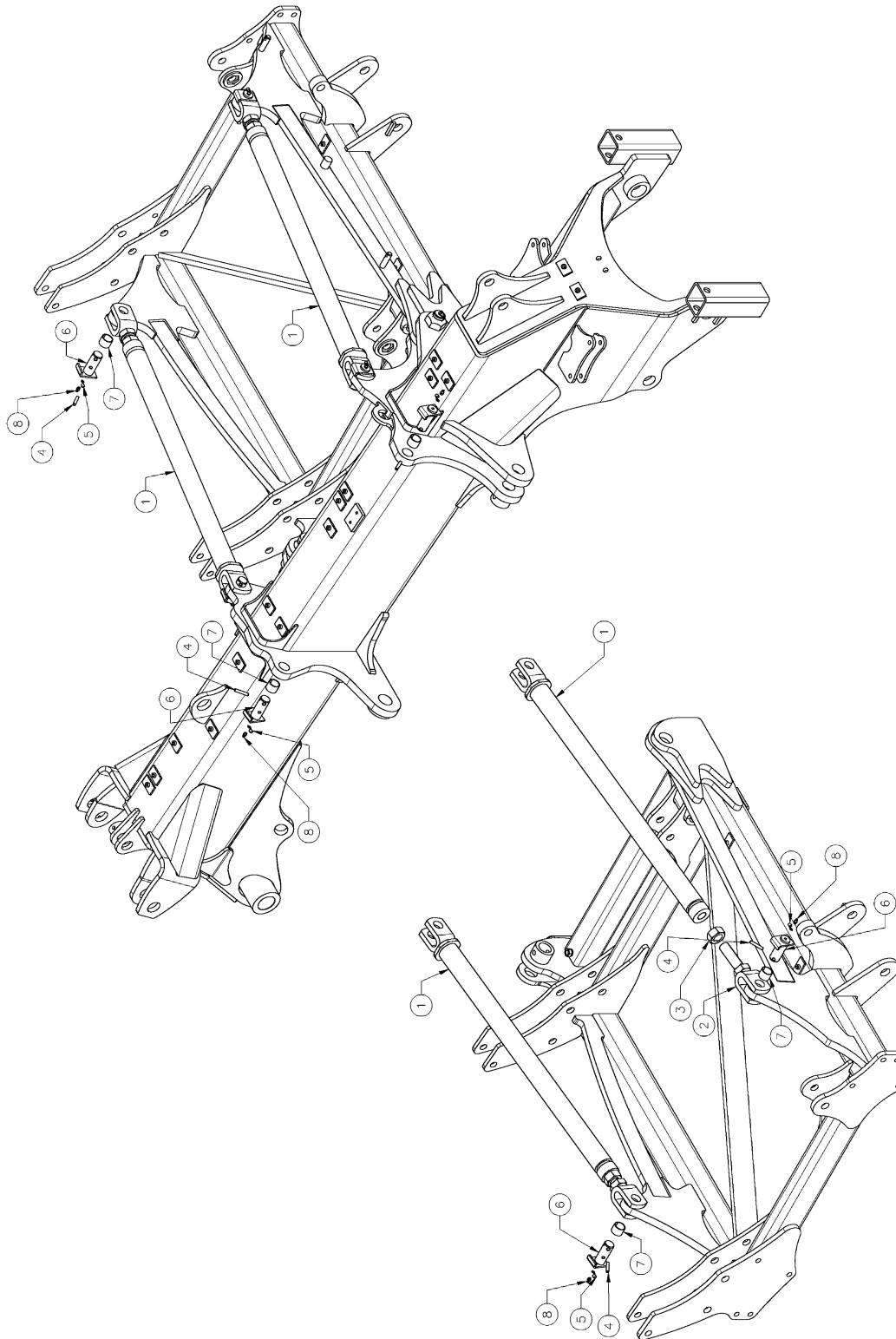
(Applies to HS2200-23 only)

Ref	Part No.	Part Description	Comments	Revision
	DWGTP-69759	Image No. Note: Parts ending in 91 Note: Parts ending in 94	Painted GP Green (limited stock) Painted KV Red. (alternative)	
1.	A135615291	PLATE 2 HOLES Ø21 FOR TUBE 90	see paint note	
2.	KG00341561	HEX. BOLT M20X150 10.9		
3.	KG00363161	HEX. BOLT M16X140 8.8		
4.	KG01067961	LOCK NUT M16 8		
5.	KG01069261	LOCK NUT M20 10		
6.	RF2998991	LEFT ARM FOR ROLLER	see paint note	
7.	RF2999091	RIGHT ARM FOR ROLLER	see paint note	
8.	RF2999291	FIXING PLATE 4 Ø17 FOR TUBE 100	see paint note	

Qualidisc

Rigid Wing Strut 4M

(Applies to HS2200-13 only)



69785

Rigid Wing Strut 4M

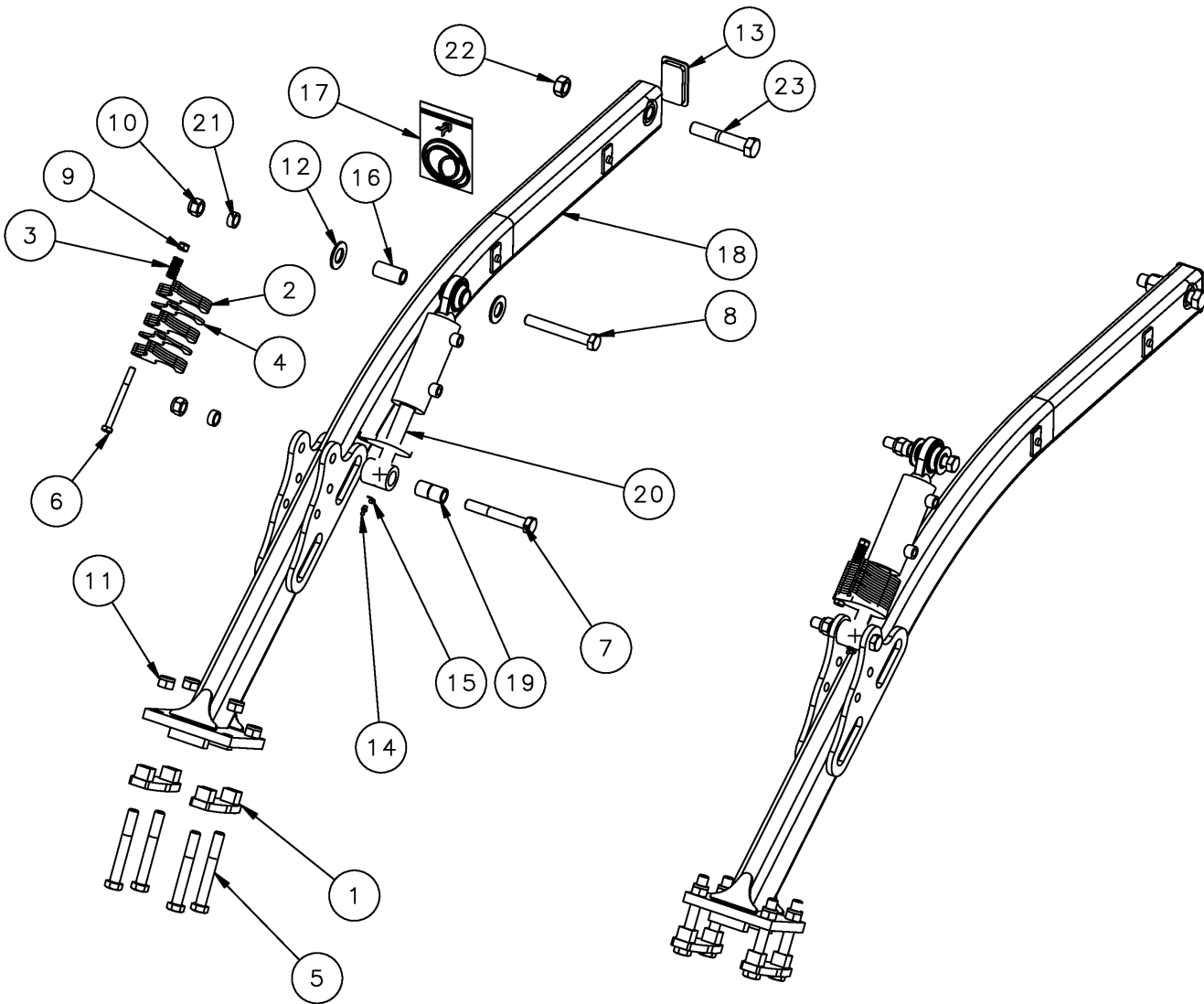
(Applies to HS2200-13 only)

Ref	Part No.	Part Description	Comments	Revision
	DWGTP-69785	Image No. Note: Parts ending in 91 Note: Parts ending in 94	Painted GP Green (limited stock) Painted KV Red. (alternative)	
1.	A135919791	Welded Strut	see paint note	
2.	A135921491	Clevis M30X2	see paint note	
3.	KG01042161	Hex. Nut M30X2 8		
4.	KG011911962	Tension Pin 8X45		
5.	RF02345	GREASE NIPPLE MARKER GPN 985		
6.	RF2716661	CYLINDER PIN LU 58		
7.	RF27169	ring 30/34 lenght 25 mm		
8.	VN41702899	Grease Nipple M8x1,25		

Qualidisc

Roller Arm Hydraulic Setting

(Applies to HS2200-13, HS2200-16, HS2200-20, HS2200-23 only)



69758

Roller Arm Hydraulic Setting

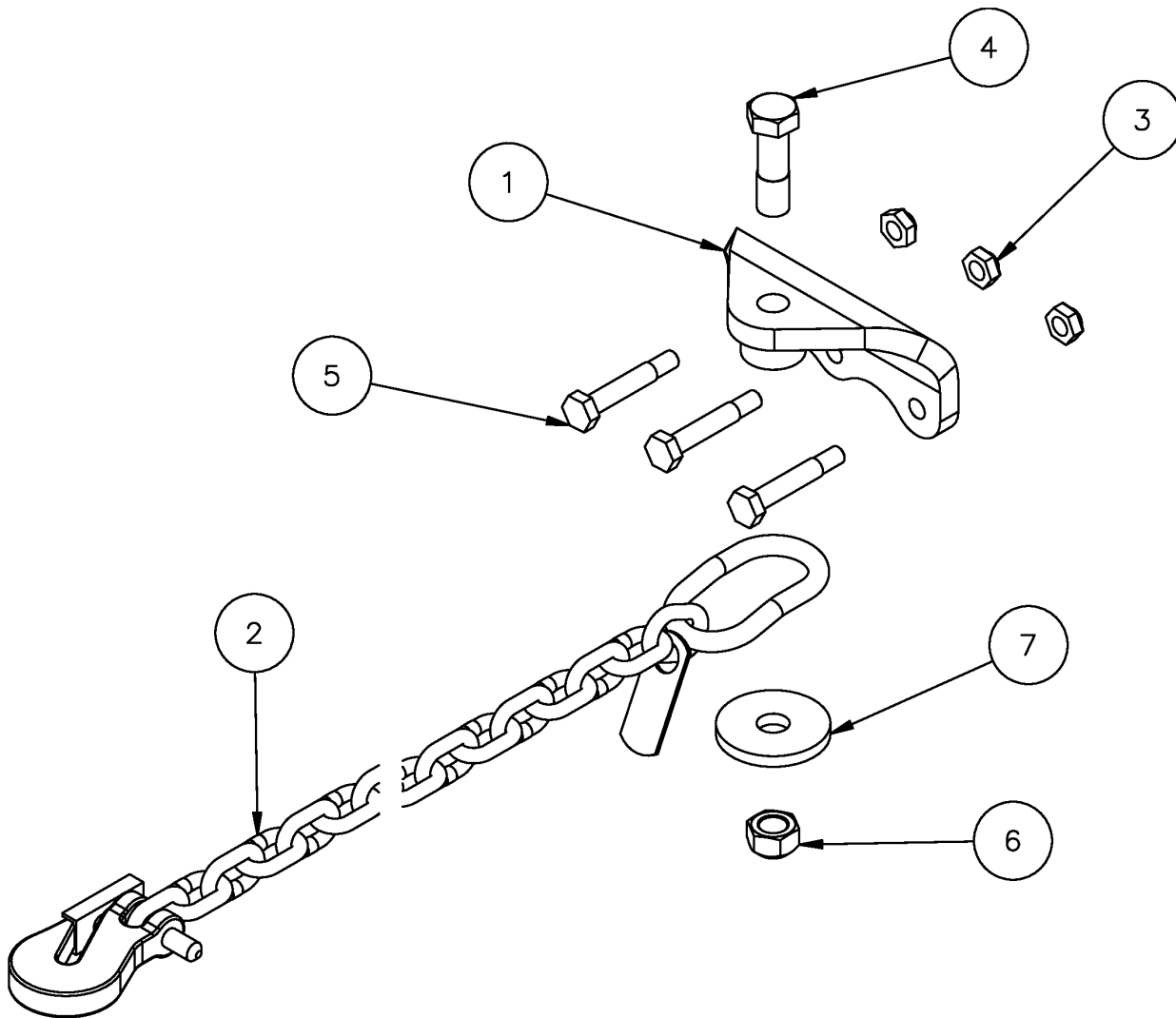
(Applies to HS2200-13, HS2200-16, HS2200-20, HS2200-23 only)

Ref	Part No.	Part Description	Comments	Revision
	DWGTP-69758	Image No. Note: Parts ending in 91 Note: Parts ending in 94	Painted GP Green (limited stock) Painted KV Red. (alternative)	
1.	A135615291	PLATE 2 HOLES Ø21 FOR TUBE 90	see paint note	
2.	AC353558	SPACER 5MM BLACK		
3.	AC353985	COIL SPRING SZ 8100.19.5X40 GALV.		
4.	AC356683	SPACER OUTSIDE BLACK		
5.	KG00341561	HEX. BOLT M20X150 10.9		
6.	KG00358661	HEX. BOLT M12X130 8.8		
7.	KG00367561	HEX. BOLT M 20X140 8.8		
8.	KG00367661	HEX. BOLT M20X150 8.8		
9.	KG01068161	LOCK NUT M20 8		
10.	KG01068161	LOCK NUT M20 8		
11.	KG01069261	LOCK NUT M20 10		
12.	KG01268361	WASHER M30		
13.	KK011131	PLASTIC CAP TUBE 100X60X6.3		
14.	VN41702899	GREASE NIPPLE M8X1,25		
15.	RF02345	GREASE NIPPLE MARKER GPN 985		
16.	RF2837063	BUSH Ø30/20 LENGHT 62		
17.	RF29865	RF29864/RF31826 CYLINDER SEAL KIT		
18.	RF3124491	ARM FOR ROLLER REINFORCED	see paint note	
19.	RF3124763	BUSH Ø30/20 LENGHT 59		
20.	RF3182686	HYD CYLINDER DE 30X60 C 75 EAF 315		
21.	KK010170	BUSHING D30 X D21		
22.	KK016001	LOCK NUT M24 10 GALV.		
23.	KK032906	HEX BOLT M24X130		

Qualidisc

Safety Chain US-CA

(Applies to HS2200-13, HS2200-16, HS2200-20, HS2200-23 only)



69750

Safety Chain US-CA

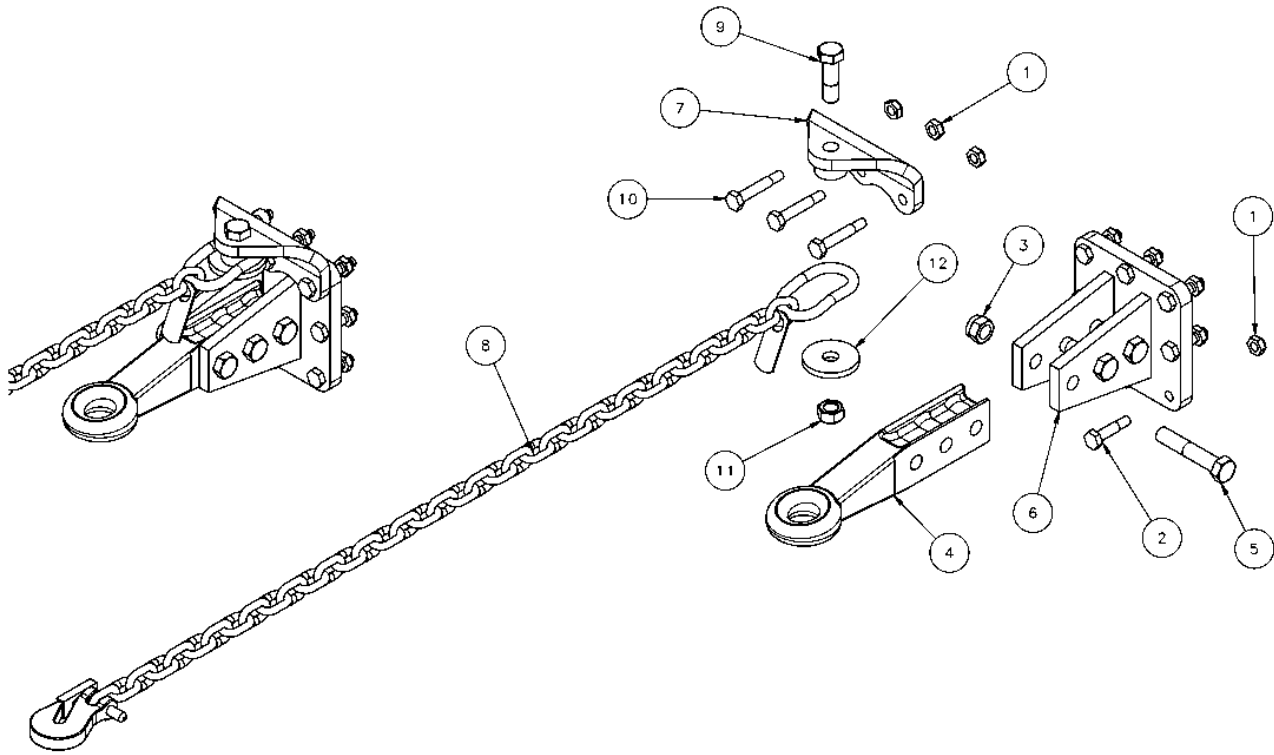
(Applies to HS2200-13, HS2200-16, HS2200-20, HS2200-23 only)

Ref	Part No.	Part Description	Comments	Revision
	DWGTP-69750	Image No. Note: Parts ending in 91 Note: Parts ending in 94	Painted GP Green (limited stock) Painted KV Red. (alternative)	
1.	A135323091	SAFETY CHAIN HOLDER	See paint note	
2.	A135315000	SAFETY CHAIN 13600 KG FOR NA		
3.	KK016025	LOCK NUT M16		
4.	KK032980	HEX BOLT M24X80 S=40+3		
5.	KK032795	HEX BOLT M16X95 10.9		
6.	KK016001	LOCK NUT M24 10 GALV.		
7.	KW30800201091	WASHER D88XD25,5-10	See paint note	

Qualidisc

US Linkage For Fixed Eye

(Applies to HS2200-13, HS2200-16, HS2200-20, HS2200-23 only)



69775

US Linkage For Fixed Eye

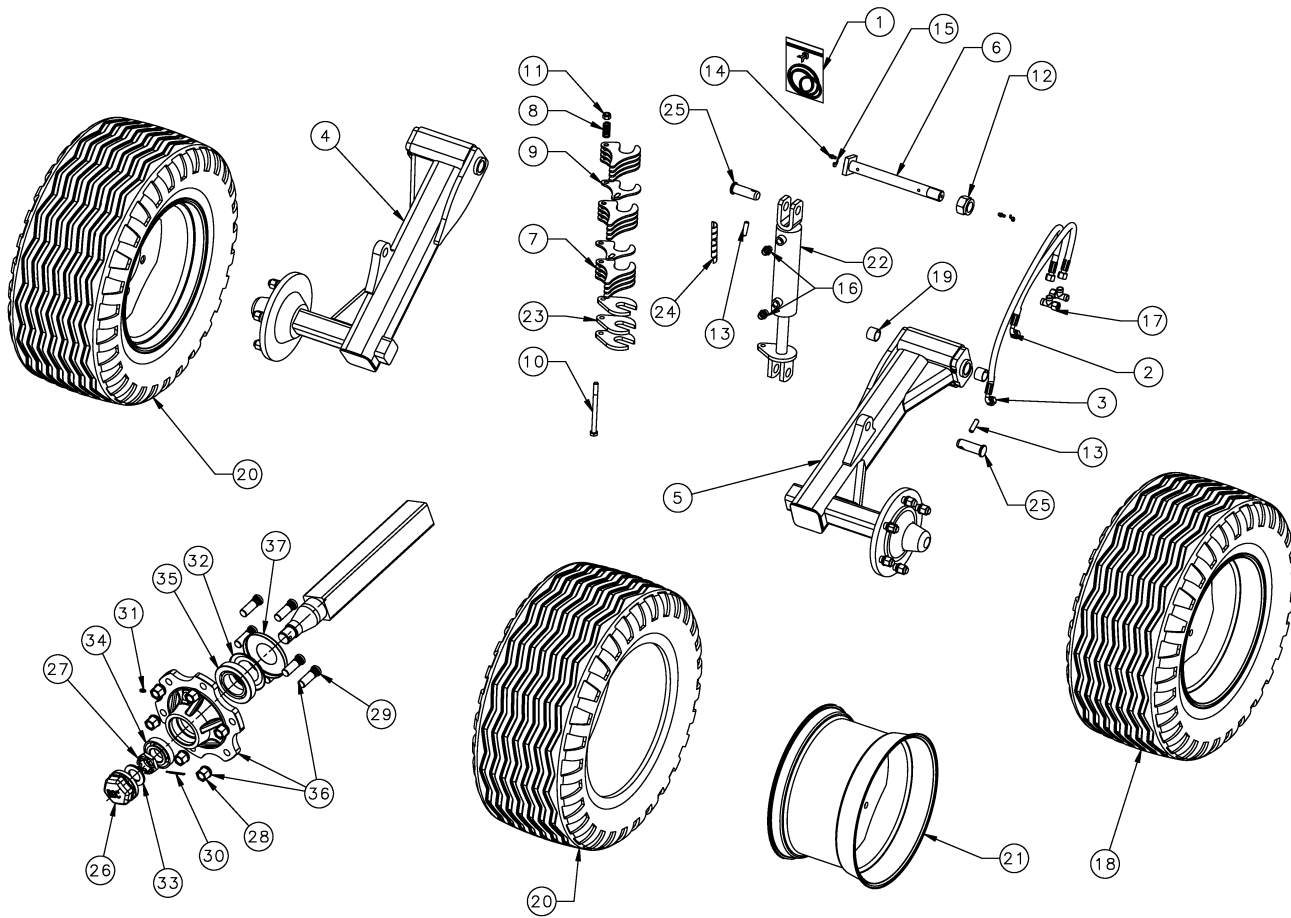
(Applies to HS2200-13, HS2200-16, HS2200-20, HS2200-23 only)

Ref	Part No.	Part Description	Comments	Revision
	DWGTP-69751	Image No. Note: Parts ending in 91 Note: Parts ending in 94	Painted GP Green (limited stock) Painted KV Red. (alternative)	
1.	KK016025	LOCK NUT M16		
2.	KK032770	HEX BOLT M16X70 10.9		
3.	KG01068361	LOCK NUT M24 8		
4.	RF2799491	FIX RING	see paint note	
5.	KG00371761	HEX. BOLT M24X130 8.8		
6.	RF2799591	FORK OF LINKAGE RING	see paint note	
7.	A135323091	SAFETY CHAIN HOLDER	see paint note	
8.	A135315000	SAFETY CHAIN 13600 KG FOR NA		
9.	KK032980	HEX BOLT M24X80 S=40+3		
10.	KK032795	HEX BOLT M16X95 10.9		
11.	KK016001	LOCK NUT M24 10 GALV.		
12.	KW30800201091	RONDELLE D=88 D=25.5 EP. 10 MM	see paint note	

Qualidisc

Depth Control Front Wheels

(Applies to HS2200-13, HS2200-16, HS2200-20, HS2200-23 only)



69766

Depth Control Front Wheels

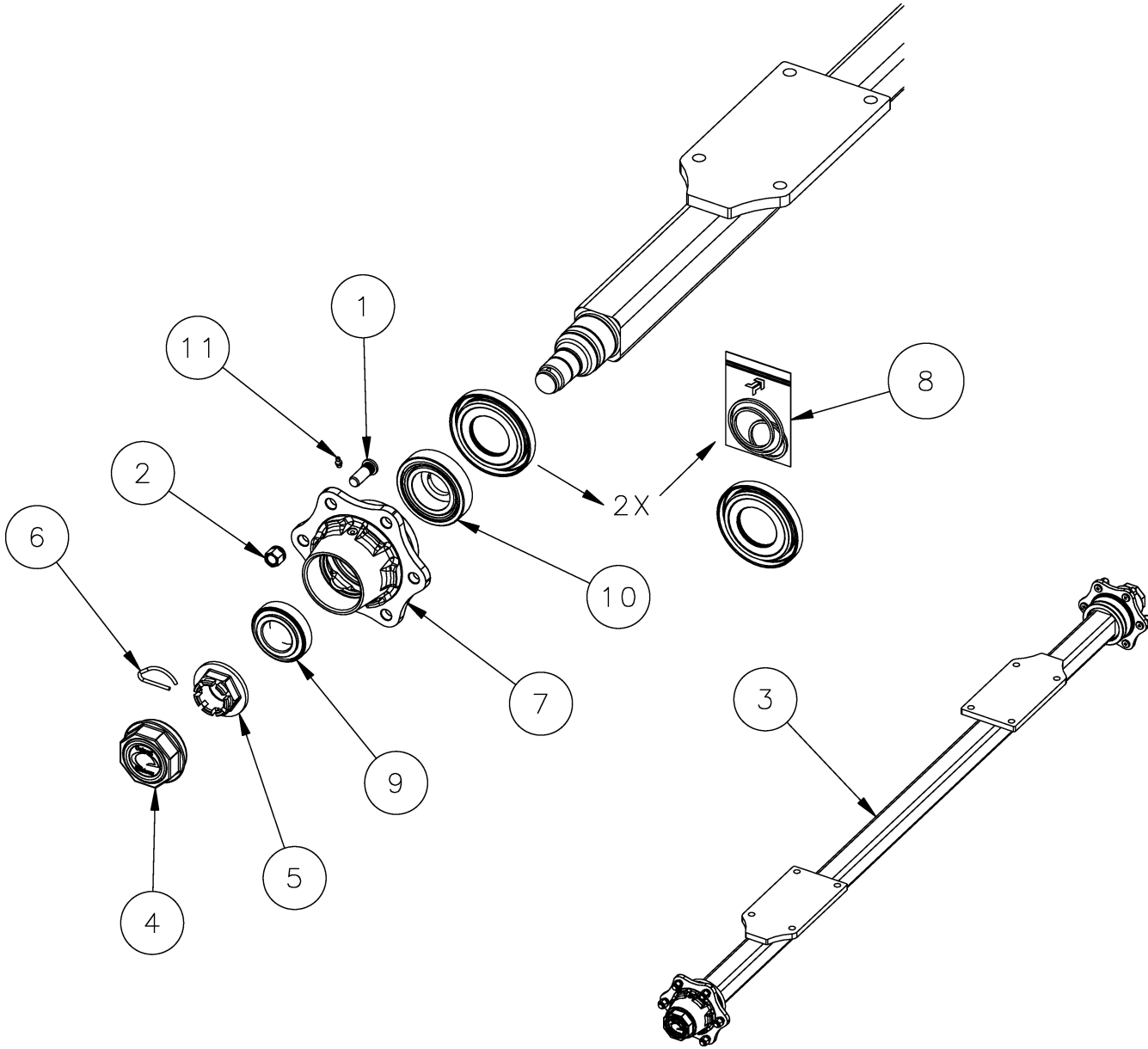
(Applies to HS2200-13, HS2200-16, HS2200-20, HS2200-23 only)

Ref	Part No.	Part Description	Comments	Revision
	DWGTP-69766	Image No. Note: Parts ending in 91 Note: Parts ending in 94	Painted GP Green (limited stock) Painted KV Red. (alternative)	
1.	A135039430	CYLINDER SEAL KIT FOR A135039388 - 86		
2.	A135044400	HOSE HH2SC08 N00-12L_N90-12L 00600		
3.	A135051100	HOSE HH2SC08 N00-12L N90-12L 00800		
4.	A135718091	RIGHT WHEEL ARM	see paint note	
5.	A135718191	LEFT WHEEL ARM	see paint note	
6.	A135718561	WHEEL AXLE WELDED		
7.	AC353558	SPACER 5MM BLACK		
8.	AC353985	COIL SPRING SZ 8100.19.5X40 GALV.		
9.	AC356683	SPACER OUTSIDE BLACK		
10.	KG00358961	HEX. BOLT M12X160 8.8		
11.	KG01067761	LOCK NUT M12 8		
12.	KG01068561	LOCK NUT M30 8		
13.	KG01195400	TENSION PIN 12X40		
14.	VN41702899	GREASE NIPPLE M8X1,25		
15.	RF02345	GREASE NIPPLE MARKER GPN 985		
16.	RF25220	HYDRAULIC COUPLER		
17.	RF25253	T HYDRAULIC COUPLER		
18.	RF26250	COMPLETE WHEEL 340/55-16 140 A8		
19.	RF27169	RING 30/34 LENGHT 25 MM		
20.	RF28000	TYRE 340/55 - 16 TI		
21.	RF28002	RIM 11.00 X 16 6 HOLES GREY		
22.	RF3032486	HYD CYLINDER DE Ø60 Ø30 C130 EAF390		
23.	RF3063863	SPACER		
24.	RFGAINE024	SPIRAL FLEXIBLE SHEATH 16X1 INT. 13		
25.	KK010315	BOLT W/ HEAD D25.3X60		
26.	RF25522	END CAP M73.5 X 1.5		
27.	RF25523	CASTLE NUT 30 PITCH 200 H 18		
28.	RF17179	NUT M18 X 150		
29.	RF25524	STUD M18 X 150 LG 40/54 MM		
30.	KG01253161	SPLIT PIN 5X63 ST		
31.	RF00166	GREASE NIPPLE M6X100		
32.	RF30353	METAL SEAL 30211		
33.	KG01268361	WASHER M30		
34.	KG01799100	TAPER ROLLER BEARING 30207		
35.	KG01802500	TAPER ROLLER BEARING 30211		
36.	RF30536	HUB EQUIPPED 606X ROV GR		
37.	RF30534	COVERING WASHER 55X114X1.2		

Qualidisc

No Brake Axle with Large Gauge

(Applies to HS2200-13, HS2200-16, HS2200-20, HS2200-23 only)



69745

No Brake Axle with Large Gauge

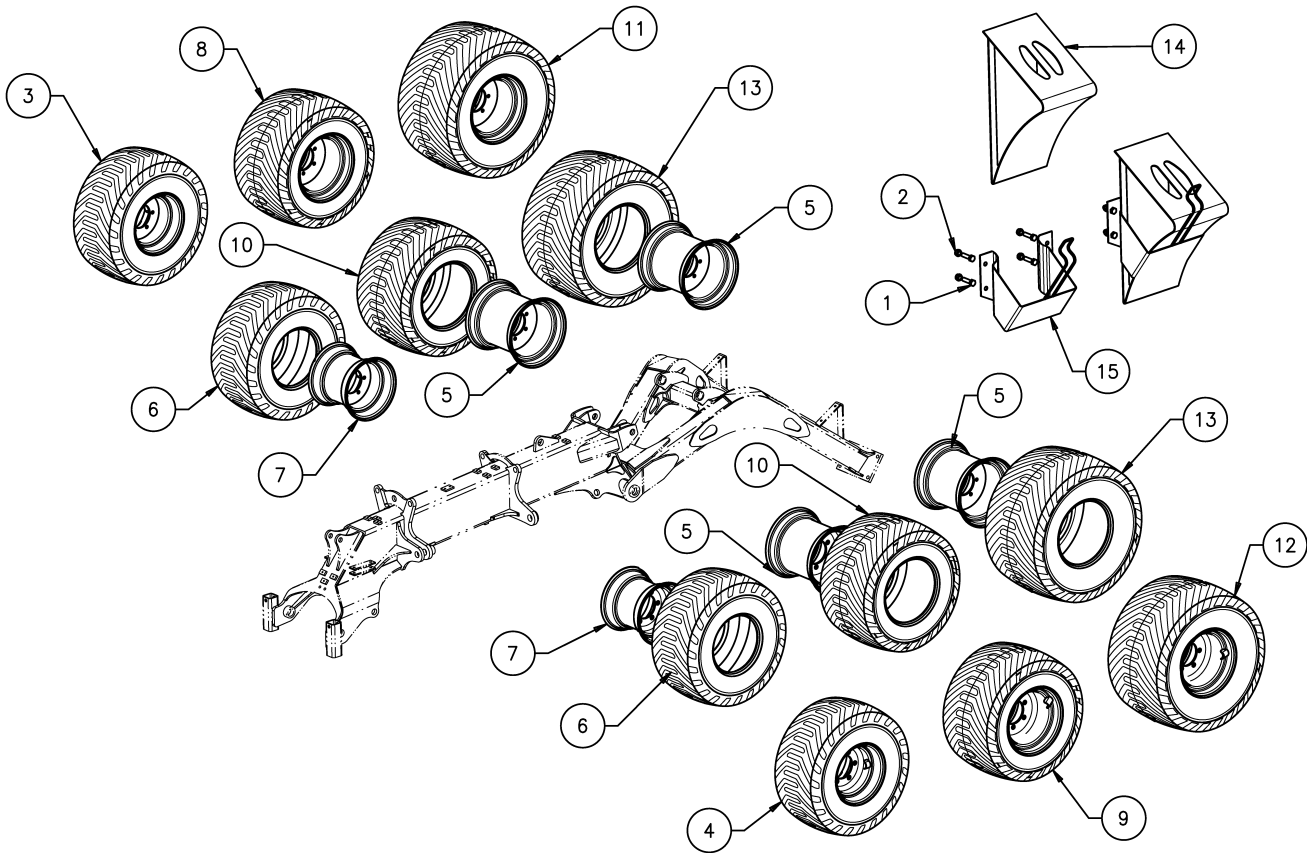
(Applies to HS2200-13, HS2200-16, HS2200-20, HS2200-23 only)

Ref	Part No.	Part Description	Comments	Revision
	DWGTP-69745	Image No. Note: Parts ending in 91 Note: Parts ending in 94	Painted GP Green (limited stock) Painted KV Red. (alternative)	
1.	A135052700	STUD M18X150 LENGHT 54		
2.	A135052800	NUT M18X150		
3.	A135443891	AXLE 80 NON BRAKED CLEARANCE 2600	see paint note	
4.	A135447200	CAP Ø100		
5.	A135447300	CASTLE NUT M48X150		
6.	A135447400	PIN FOR NUT HK M48		
7.	A135447591	HUB FOR A1354438	see paint note	
8.	A135615930	KIT OF 2 REINFORCED SEALS		
9.	KG01802600	TAPER ROLLER BEARING 32211		
10.	KG01805200	TAPER ROLLER BEARING 32214		
11.	VN41702899	GREASE NIPPLE M8X1,25		

Qualidisc

Wheels

(Applies to HS2200-13, HS2200-16, HS2200-20, HS2200-23 only)



69746

Wheels

(Applies to HS2200-13, HS2200-16, HS2200-20, HS2200-23 only)

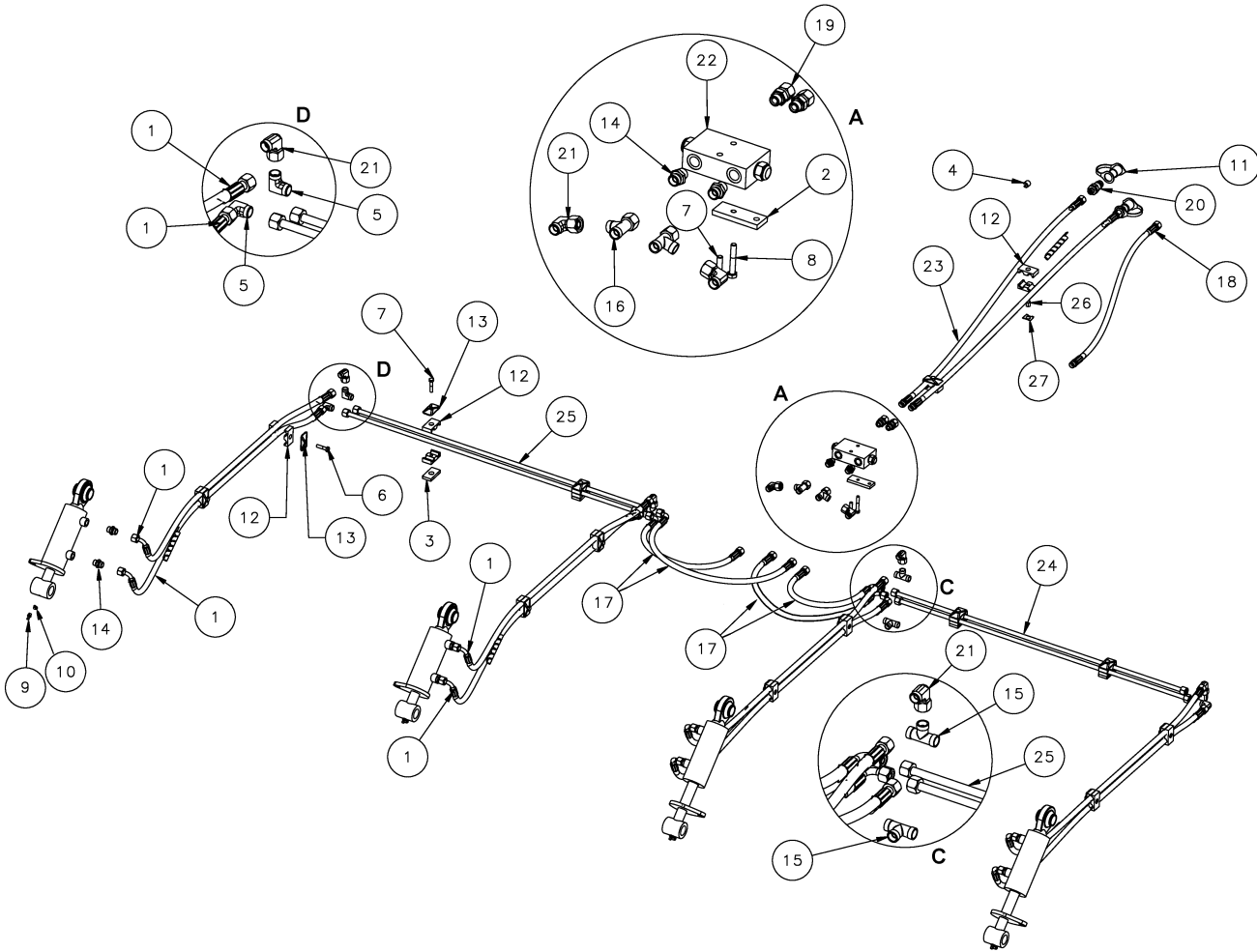
Ref	Part No.	Part Description	Comments	Revision
	DWGTP-69746	Image No.		
1.	KG00472261	ML2. SCREW M8X30 8.8		
2.	KG01067561	LOCK NUT M8 8		
3.	RF25793	RIGHT WHEEL 400/60-15.5	Not Factory for HS2200	
4.	RF25880	LEFT WHEEL 400/60-15.5	Not Factory for HS2200	
5.	RF28001	RIM 16.00 X 17 6 HOLES GREY		
6.	RF28413	TYRE 400/60 - 15.5 TR882	Not Factory for HS2200	
7.	RF28414	WHEEL RIM 13"	Not Factory for HS2200	
8.	RF30522	RIGHT WHEEL CPL 480/45-17TL 146A8		
9.	RF30523	LEFT WHEEL CPL 480/45-17TL 146A8		
10.	RF30524	TYRE 480/45 - 17 TL FLOTATION		
11.	RF30525	RIGHT WHEEL CPL 520/50-17TL 159B		
12.	RF30526	LEFT WHEEL CPL 520/50-17TL 159B		
13.	RF30527	TYRE 520/50 - 17 TL FLOTATION		
14.	VGND97068	STOP FOR WHEEL	Not Factory for HS2200	
15.	VGND97069	HOLDER STOP FOR WHEEL	Not Factory for HS2200	

[Table of Contents](#) [Part Number Index](#)

Qualidisc

Hydraulic Depth Control

(Applies to HS2200-13, HS2200-16, HS2200-20, HS2200-23 only)



69760

Hydraulic Depth Control

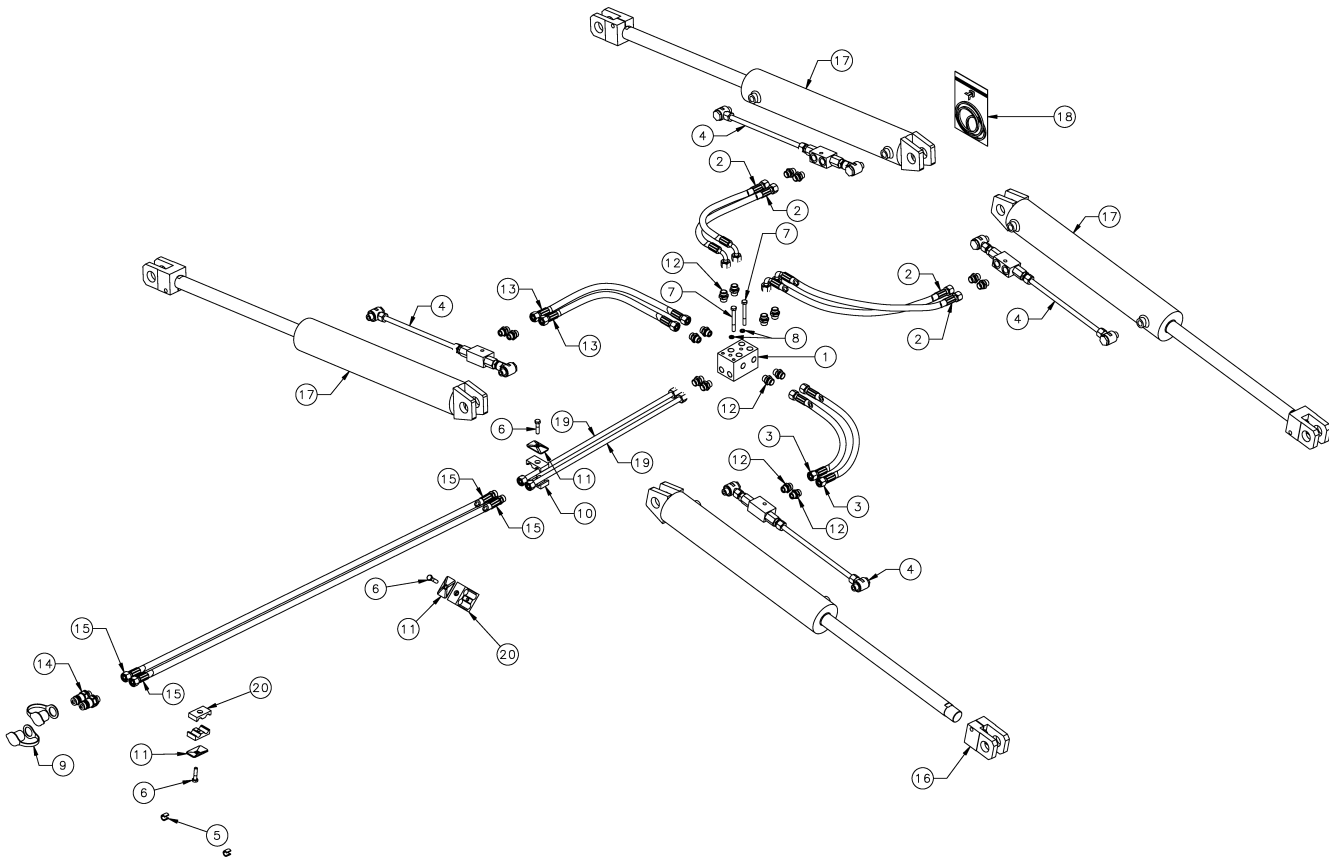
(Applies to HS2200-13, HS2200-16, HS2200-20, HS2200-23 only)

Ref	Part No.	Part Description	Comments	Revision
	DWGTP-69760	Image No. Note: Parts ending in 91 Note: Parts ending in 94	Painted GP Green (limited stock) Painted KV Red. (alternative)	
1.	A135051200	HOSE HH2SC08 N00-12L N90-12L 01300		
2.	A135351691	PAINTED HOLDER	see paint note	
3.	A135366963	SPACER		
4.	AC351802	HYDR. HOSE CLIP 11,5-16,0 (RED)		
5.	AC688076	HF-WV 12L		
6.	KG00353161	HEX. BOLT M8X35 8.8		
7.	KG00353261	HEX. BOLT M8X40 8.8		
8.	KG00353461	HEX. BOLT M8X50 8.8		
9.	VN41702899	GREASE NIPPLE M8X1,25		
10.	RF02345	GREASE NIPPLE MARKER GPN 985		
11.	RF02772	CAP FOR PUSH PULL		
12.	RF14799	HALF HOSE CLIP TWIN Ø14		
13.	RF14800	BLADE FOR HOSE CLIP		
14.	RF25220	HYDRAULIC COUPLER		
15.	RF25252	T HYDRAULIC COUPLER		
16.	RF25253	T HYDRAULIC COUPLER		
17.	RF25307	HOSE 2SC DN8 LG1000 ETC12L/ETC12L90DEG.		
18.	RF25308	HOSE 2SC DN8 LG 1000 EM12L/ETC12L		
19.	RF27625	HYDRAULIC COUPLER		
20.	RF29043	PUSH PULL COUPLING TYPE CCM1/2-UM12L		
21.	RF29044	BARE FEMALE STUD ELBOW WITH O RING 12L		
22.	RF29046	CONTROLLED DOUBLE VALVE		
23.	RF29291	HOSE HH2SC08 N00-12L_D00-12L 04800		
24.	RF30894	HYD. TUBE Ø8XØ12 12L_12L LG 1550		
25.	RF30895	HYD. TUBE Ø8XØ12 12L_12L LG 1020		
26.	RF31968	INTERMEDIARY SCREW M8X20		
27.	RF31972	LOCK SCREW PLATE M8		

Qualidisc

Hydraulic Folding

(Applies to HS2200-16, HS2200-20, HS2200-23 only)



69754

Hydraulic Folding

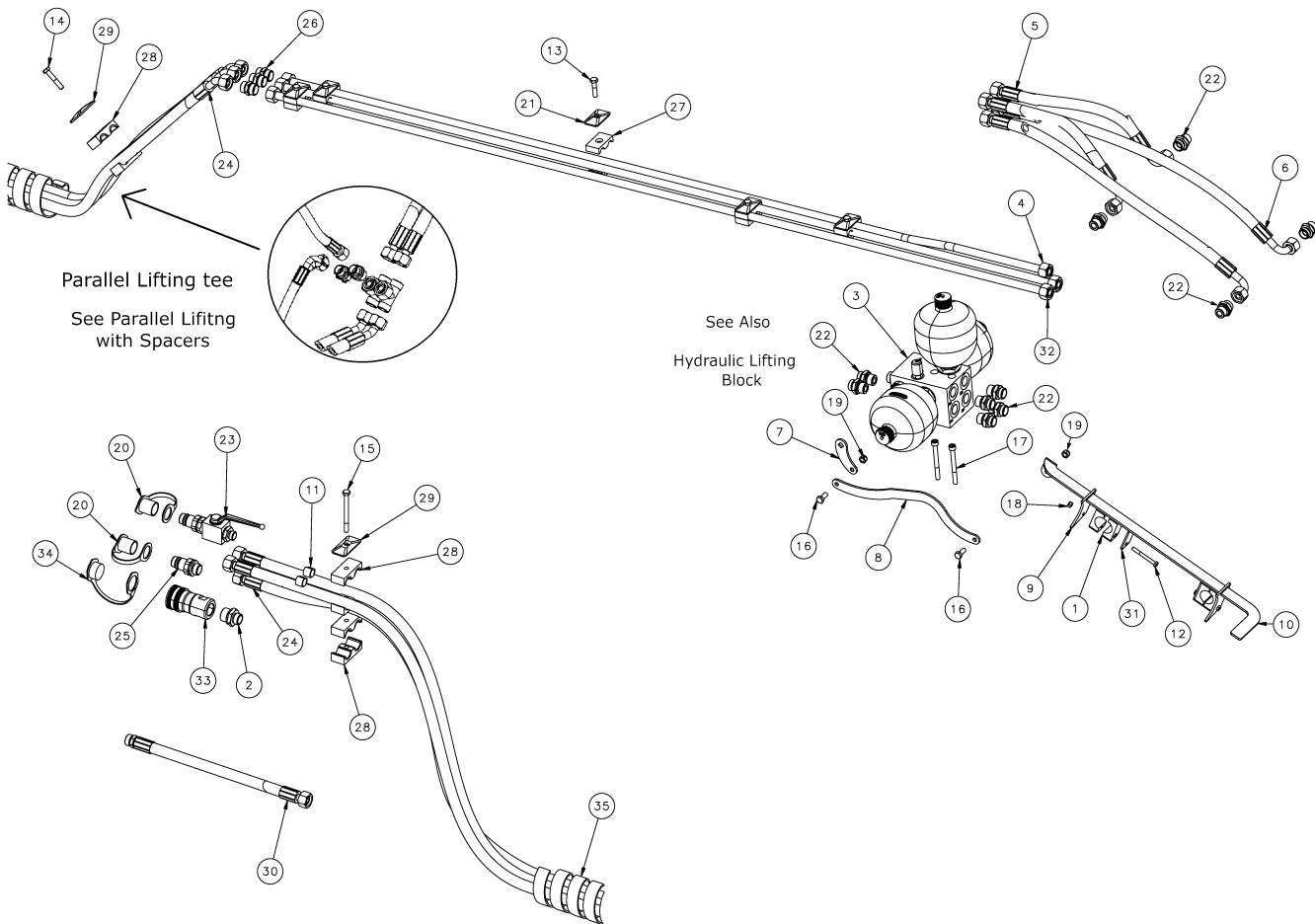
(Applies to HS2200-16, HS2200-20, HS2200-23 only)

Ref	Part No.	Part Description	Comments	Revision
	DWGTP-69754	Image No.		
1.	A135040663	HF BLOCK 3/8 " BSP		
2.	A135044400	HOSE HH2SC08 N00-12L_N90-12L 00600		
3.	A135054200	HOSE HH2SC08 N00-12L N00-12L 00600		
4.	A135323930	EQUIPPED DOUBLE STOP VALVE KIT		
5.	AC351800	HYDR. HOSE CLIP 11,5-16,0 (BLUE)		
6.	KG00353161	HEX. BOLT M8X35 8.8		
7.	KG00353861	HEX. BOLT M8X70 8.8		
8.	KG01277561	SPRING WASHER M8		
9.	RF02772	CAP FOR PUSH PULL		
10.	RF14799	HALF HOSE CLIP TWIN Ø14		
11.	RF14800	BLADE FOR HOSE CLIP		
12.	RF25220	HYDRAULIC COUPLER		
13.	RF25243	HOSE 2SC DN8 LG 500 ETC12L/ETC12L		
14.	RF29043	PUSH PULL COUPLING TYPE CCM1/2-UM12L		
15.	RF29291	HOSE HH2SC08 N00-12L_D00-12L 04800		
16.	RF2981886	THREADED CLEVIS		
17.	RF2981686	HYD CYLINDER 35X100 C 450 EAF 705	For 13', 16' & 20' machines	
17.	RF2981986	CYLINDER DE 35X80 C450 EAF 705	For 23' machines	
18.	RF29817	RF29816 CYLINDER SEAL KIT	For 13', 16' & 20' machines	
18.	RF30532	CYLINDER SEAL KIT CHA-RF2981900	For 23' machines	
19.	RF30921	HYD. TUBE Ø8XØ12 12L_12L LG 640		
20.	RF29247	HALF HOSE CLIP TWIN Ø15		

Qualidisc

Hydraulic Lifting

(Applies to HS2200-13, HS2200-16, HS2200-20, HS2200-23 only)



69752

Hydraulic Lifting

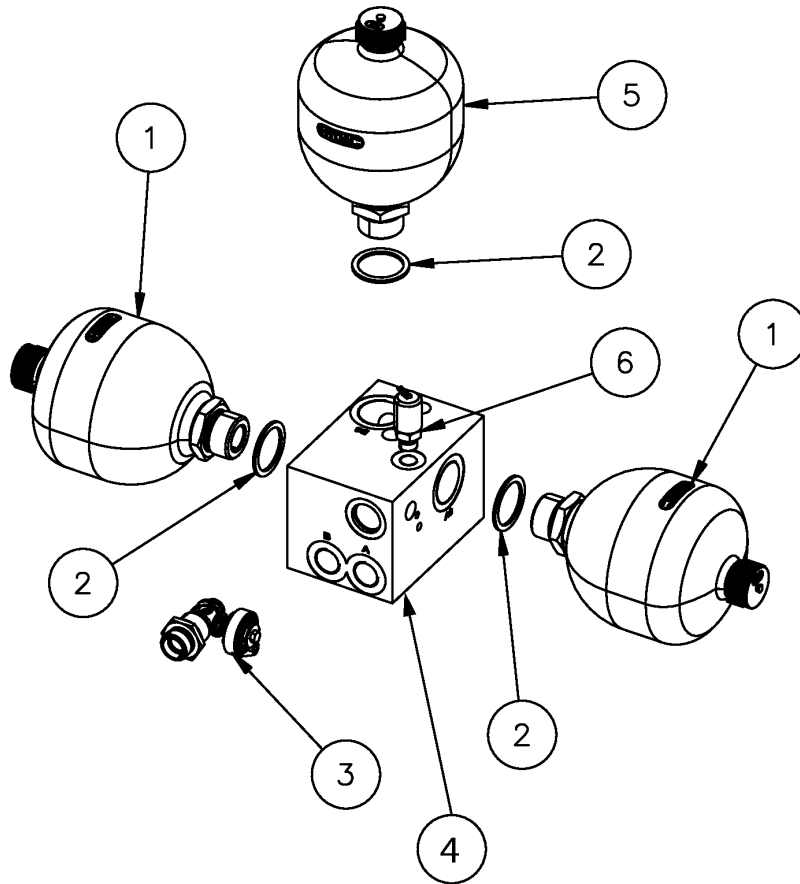
(Applies to HS2200-13, HS2200-16, HS2200-20, HS2200-23 only)

Ref	Part No.	Part Description	Comments	Revision
	DWGTP-69752	Image No.		
1.	A135017300	HALF HOSE CLIP SINGLE Ø30		
2.	A135338200	HF MALE 15L - MALE 3/4 + JOINT		
3.	A135653300	BLOCK WITHOUT ACCUMULATORS		
4.	A135640000	HYD. TUBE Ø15X1.5 15L_15L		
5.	A135640100	HOSE HH2SC12 N00-15L N90-15L 00400		
6.	A135640200	HOSE HH2SC12 N00-15L N90-15L 00700		
7.	A135640363	STICK		
8.	A135640486	ROD		
9.	A135640586	GUIDE		
10.	A135640686	ROD		
11.	AC351801	HYDRAULIC TUBE CLIP 16,5 - 24,0 (RED)		
12.	KG00351361	HEX. BOLT M6X55 8.8		
13.	KG00353161	HEX. BOLT M8X35 8.8		
14.	KG00353361	HEX. BOLT M8X45 8.8		
15.	KG00354161	HEX. BOLT M8X90 8.8		
16.	KG00471961	HEX. SCREW M8X20 8.8		
17.	KG00546061	CHEESE HEAD SCREW M8X80 8.8		
18.	KG01067361	LOCK NUT M6 8		
19.	KG01067561	LOCK NUT M8 8		
20.	RF02772	CAP FOR PUSH PULL		
21.	RF14800	BLADE FOR HOSE CLIP		
22.	RF25227	HYDR. COUPLER MALE/MALE 15L 1/2 + SEAL		
23.	RF25228	HYD. LOCKING VALVE 2 WAYS		
24.	RF29235	HOSE HH2SC12 N00-15L_N45-15L 04800		
25.	RF29240	PUSH PULL COUPLING TYPE CCM1/2-UM15L		
26.	RF29241	HF MALE 15L - MALE 15L		
27.	RF29247	HALF HOSE CLIP TWIN Ø15		
28.	RF29250	HALF HOSE CLIP TWIN Ø20		
29.	RF29251	BLADE FOR HOSE CLIP N3		
30.	RF29288	HOSE HH2SC12 N00-15L_D00-15L 01000		
31.	RF30268	BLADE FOR HOSE CLIP Ø27		
32.	RF30908	HYD. TUBE Ø12/Ø15 15L_15L LG 1790		
33.	RF31569	FEMALE QUICK RELEASE COUPLING 3/4		
34.	RF31572	FEMALE PLASTIC PLUG COUPLING 3/4		
35.	RFGAINE026	SHEATH Ø70		

Qualidisc

Hydraulic Lifting Block

(Applies to HS2200-13, HS2200-16, HS2200-20, HS2200-23 only)



69753

Hydraulic Lifting Block

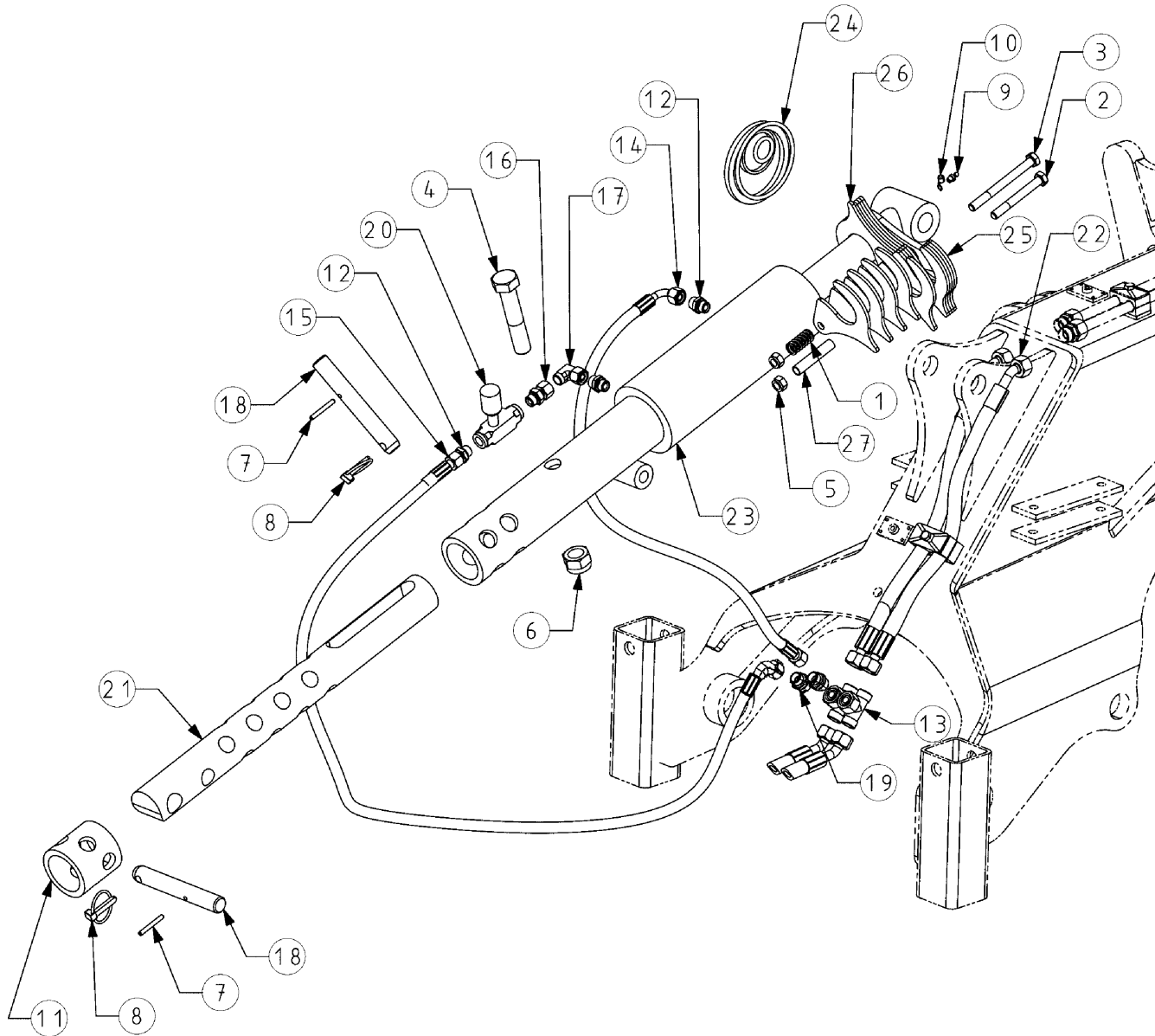
(Applies to HS2200-13, HS2200-16, HS2200-20, HS2200-23 only)

Ref	Part No.	Part Description	Comments	Revision
	DWGTP-69753	Image No.		
1.	A135053500	ACCUMULATOR 0.75 L (PO=15 BARS)		
2.	A135639700	GASKET RING		
3.	A135639800	SPARE PART KIT FOR A135639930		
4.	A135653300	BLOCK WITHOUT ACCUMULATORS		
5.	RF24209	ACCUMULATOR 0.75 L (PO=90B)		
6.	RF29216	TEST CONNECTION FOR EQUIPED BLOCK		

Qualidisc

Parallel Lifting with Spacers

(Applies to HS2200-13, HS2200-16, HS2200-20, HS2200-23 only)



69751

Parallel Lifting with Spacers

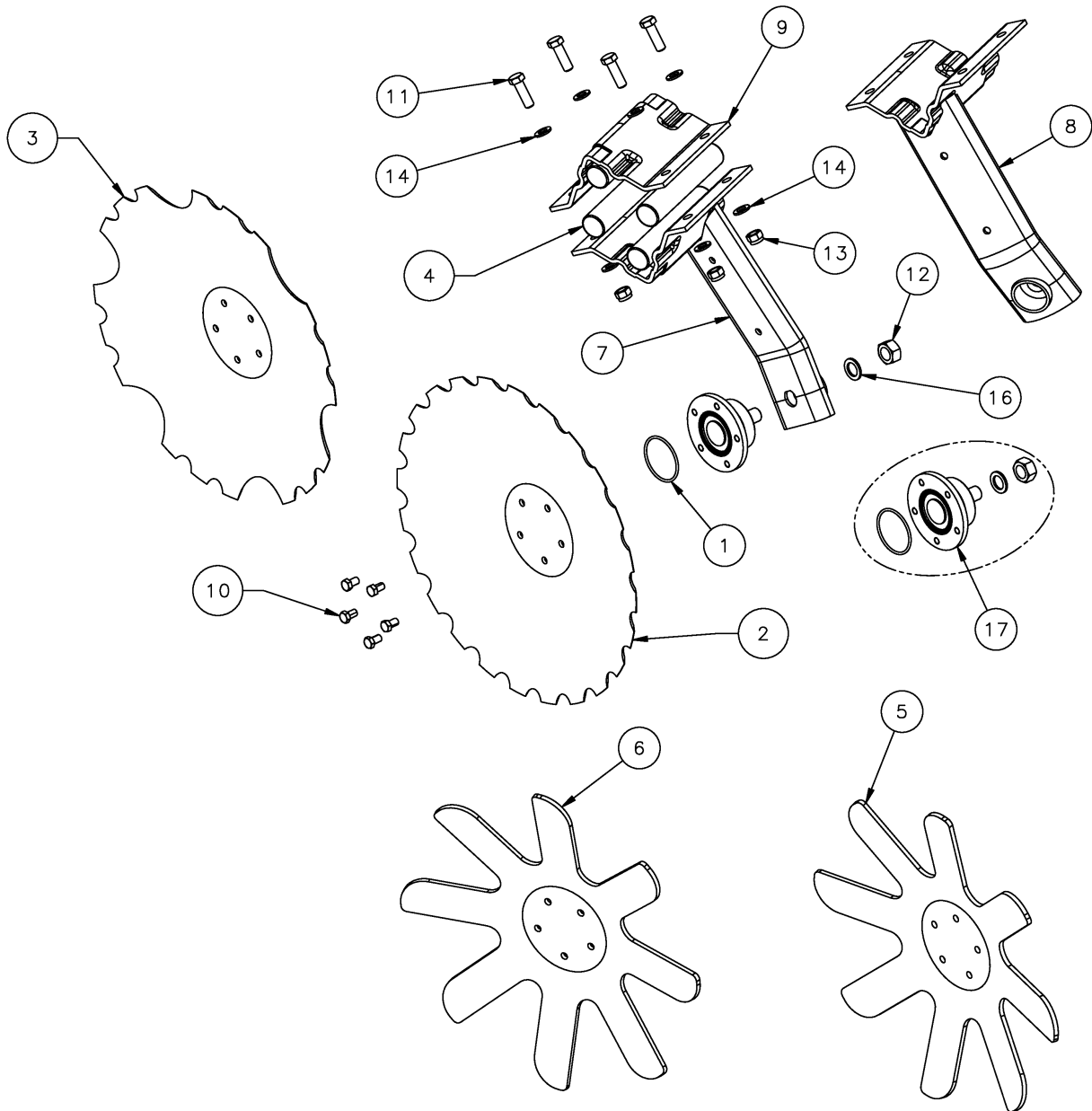
(Applies to HS2200-13, HS2200-16, HS2200-20, HS2200-23 only)

Ref	Part No.	Part Description	Comments	Revision
	DWGTP-69751	Image No. Note: Parts ending in 91 Note: Parts ending in 94	Painted GP Green (limited stock) Painted KV Red. (alternative)	
1.	AC353985	COIL SPRING SZ 8100.19.5X40 GALV.		
2.	KG00358361	HEX. BOLT M12X100 8.8		
3.	KG00358661	HEX. BOLT M12X130 8.8		
4.	KG00371661	HEX. BOLT M24X120 8.8		
5.	KG01067761	LOCK NUT M12 8		
6.	KG01068361	LOCK NUT M24 8		
7.	KG01189862	SPRING PIN SLOTTED 6X50 ZN ISO 8752		
8.	RF00115	LOCK PIN 10X45 ZN		
9.	VN41702899	GREASE NIPPLE M8X1,25		
10.	RF02345	GREASE NIPPLE MARKER GPN 985		
11.	RF2520863	ADJUSTMENT RING FOR TELESCOPIC BAR		
12.	RF25220	HYDRAULIC COUPLER		
13.	RF25224	T HYDRAULIC COUPLER CENTRAL NUT 15L		
14.	RF25306	HOSE 2SC DN8 LG 500 ETC12L/ETC12L90DEG.		
15.	RF25307	HOSE 2SC DN8 LG1000 ETC12L/ETC12L90DEG.		
16.	RF27625	HYDRAULIC COUPLER		
17.	RF29044	BARE FEMALE STUD ELBOW WITH O RING 12L		
18.	RF2921361	PIN Ø25 L.U. 85		
19.	RF29282	HF MALE 15L - MALE 12L		
20.	RF29287	SINGLE WAY FLOW		
21.	RF2931091	DRAW BAR LOWER SHAFT	see paint note	
22.	RF30906	HOSE HH2SC12 N00-15L_N45-15L 00600		
23.	RF3189786	CYLINDER D.E. Ø100 Ø50 C160 EAF 797		
24.	RF31898	SEAL KIT CYLINDER Ø100/Ø50		
25.	RF3189963	SHORT SPACER 5 MM		
26.	RF3190063	LONG SPACER 5 MM		
27.	RF3221063	ROUND TUBE Ø15 / Ø12 LGTH 75		

Qualidisc

Disc Arm

(Applies to HS2200-13, HS2200-16, HS2200-20, HS2200-23 only)



69757

Disc Arm

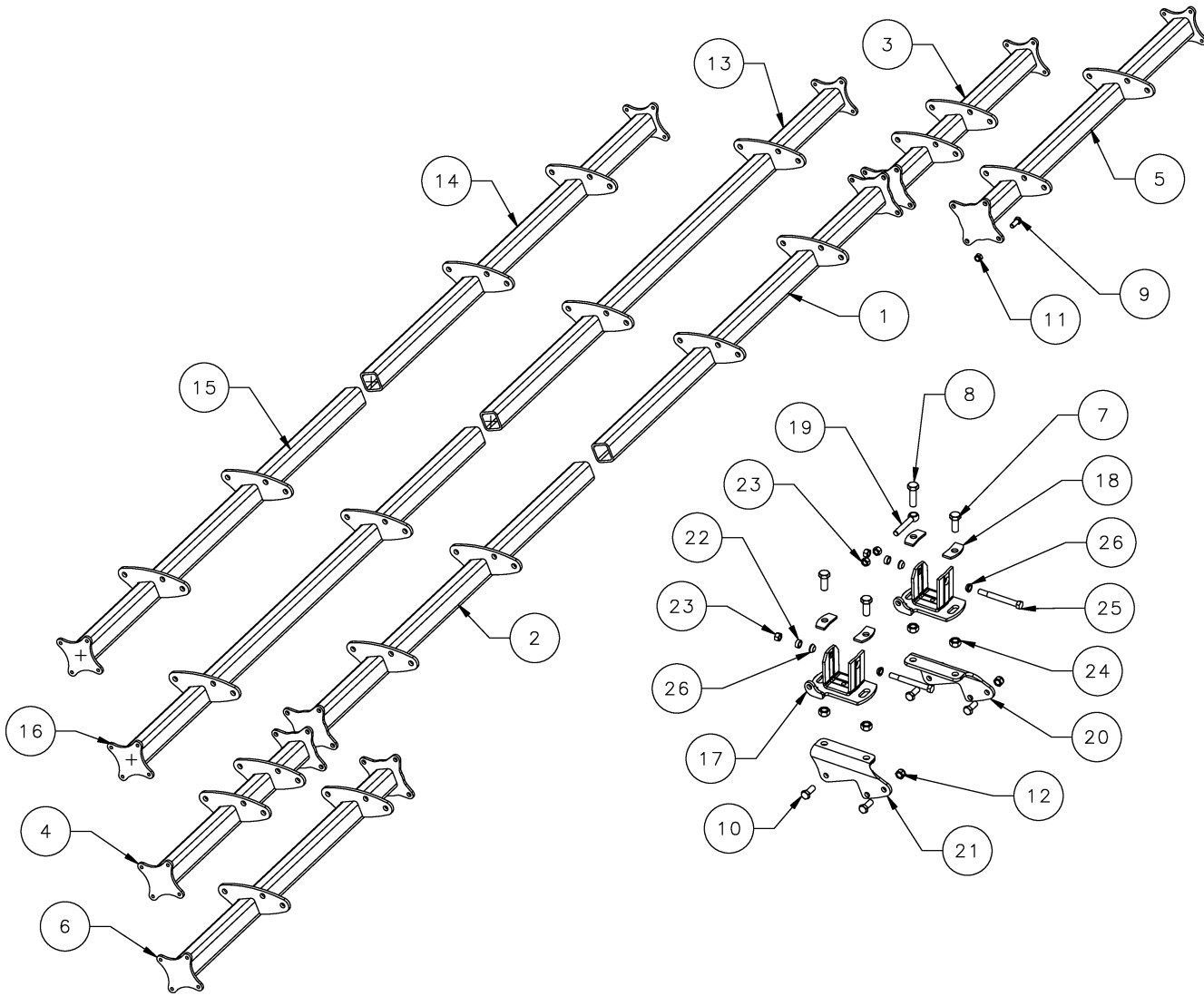
(Applies to HS2200-13, HS2200-16, HS2200-20, HS2200-23 only)

Ref	Part No.	Part Description	Comments	Revision
	DWGTP-69757	Image No. Note: Parts ending in 91 Note: Parts ending in 94	Painted GP Green (limited stock) Painted KV Red. (alternative)	
1.	A135419500	O-RING D76X4		
2.	A135419697	CONICAL DISC D600X6		
3.	A135450297	CONICAL DISC D600X6 WITH BIG NOTCHES		
4.	A135471000	RUBBER SPRING D44 L220		
5.	A135819997	RIGHT STAR DISC D600		
6.	A135820097	LEFT STAR DISC D600		
7.	AC35713591	FRONT ARM	see paint note	
8.	AC35713691	REAR ARM	see paint note	
9.	AC357703	PAINTED BRACKET WITH NOTCHES		
10.	AC631335	Vis TH M12x1.5x20 zinguee 8.8 DIN961		
11.	KG00480461	HEX. SCREW M16X50 8.8		
12.	KG01041761	HEX. NUT M24X2 8		
13.	KG01067961	LOCK NUT M16 8		
14.	KG01267761	WASHER M16		
16.	RF28450	PAIR OF SPECIAL WASHER M24		
17.	RF30701X0	REPLACEMENT KIT FOR EQUIPPED HUB		

Qualidisc

Disc Gang Bars

(Applies to HS2200-13, HS2200-16, HS2200-20, HS2200-23 only)



69756

Disc Gang Bars

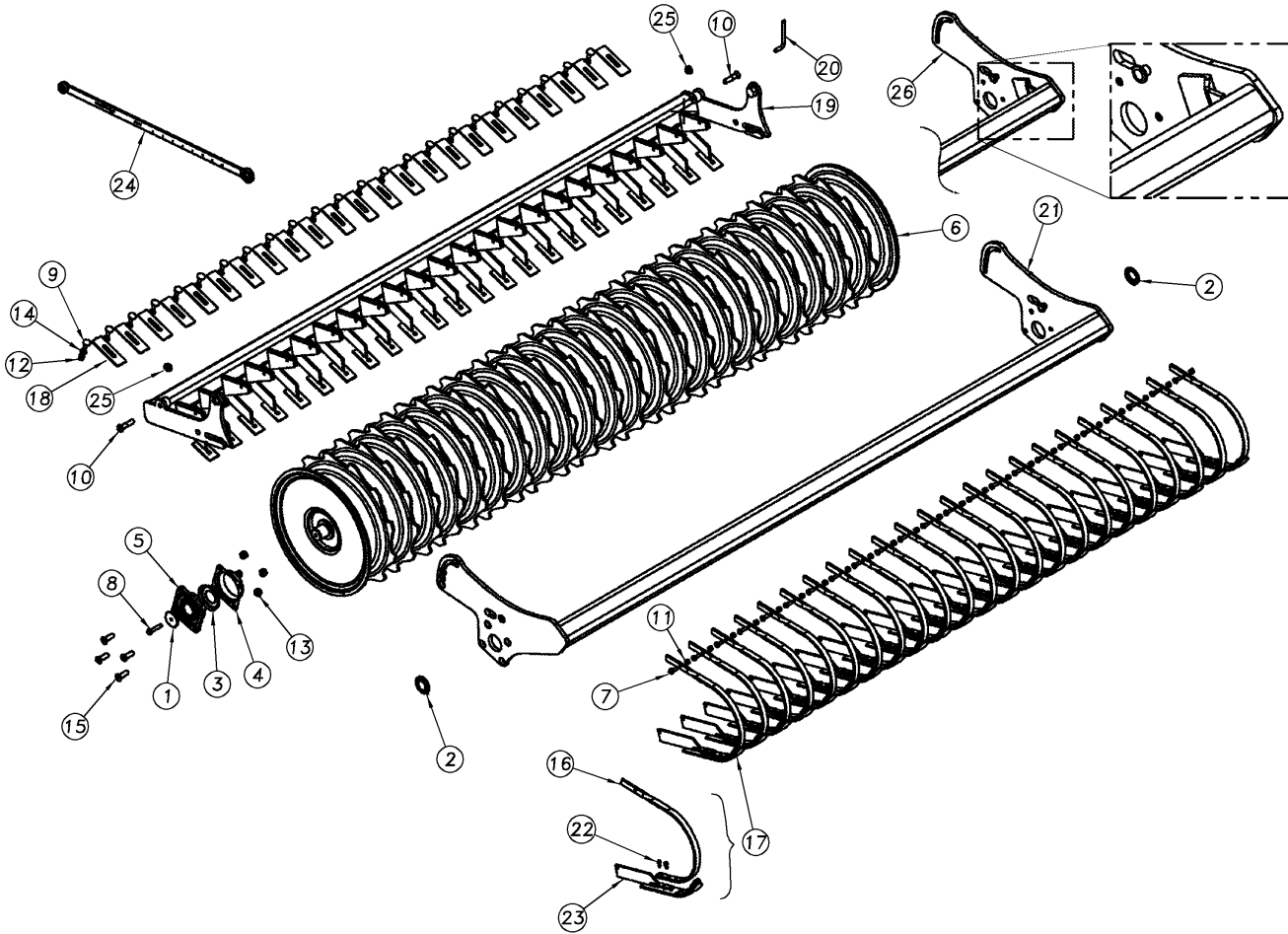
(Applies to HS2200-13, HS2200-16, HS2200-20, HS2200-23 only)

Ref	Part No.	Part Description	Comments	Revision
	DWGTP-69756	Image No. Note: Parts ending in 91 Note: Parts ending in 94	Painted GP Green (limited stock) Painted KV Red. (alternative)	
1.	A135482191	HOLDER FOR INNER RIGHT ROW	20' & 23' machines, see paint note	
2.	A135482291	HOLDER FOR INNER LEFT ROW	20' & 23' machines, see paint note	
3.	A135482391	HOLDER FOR RIGHT ROW 1.00 M	20' machines, see paint note	
4.	A135482491	HOLDER FOR LEFT ROW 1.00 M	20' machines, see paint note	
5.	A135482591	HOLDER FOR RIGHT ROW 1.50 M	23' machines, see paint note	
6.	A135482691	HOLDER FOR LEFT ROW 1.50 M	23' machines, see paint note	
7.	KG00460561	HEX. SCREW M24X60 10.9		
8.	KG00460761	HEX. SCREW M24X80 10.9		
9.	KG00480261	HEX. SCREW M16X40 8.8		
10.	KG00483661	HEX. SCREW M20X50 8.8		
11.	KG01067961	LOCK NUT M16 8		
12.	KG01068161	LOCK NUT M20 8		
13.	RF3009791	HOLDER FOR RIGHT ROW 5.00 M	16' machines, see paint note	
14.	A135872991	HOLDER FOR RIGHT ROW 4.00 M	13' machines, see paint note	
15.	A135873091	HOLDER FOR LEFT ROW 4.00 M	13' machines, see paint note	
16.	RF3057191	HOLDER FOR LEFT ROW 5.00 M	16' machines, see paint note	
17.	RF3197591	FIXING HOLDER FOR SCREW Ø24	see paint note	
18.	RF3197761	PLATE		
19.	RF3197963	EYELET SCREW Ø24 M20 LG130		
20.	RF3198091	LEFT SETTING HOLDER	see paint note	
21.	RF3198191	RIGHT SETTING HOLDER	see paint note	
22.	KK010170	BUSHING D30 X D21		
23.	KK015830	NUT M20		
24.	KK016001	LOCK NUT M24 10 GALV.		
25.	KK032813	HEX BOLT M20X170 10.9		
26.	KK301223	CONE D20.5-D32X12		

Qualidisc

Actipack Roller

(Applies to HS2200-13, HS2200-16, HS2200-20, HS2200-23 only)



69764

Actipack Roller

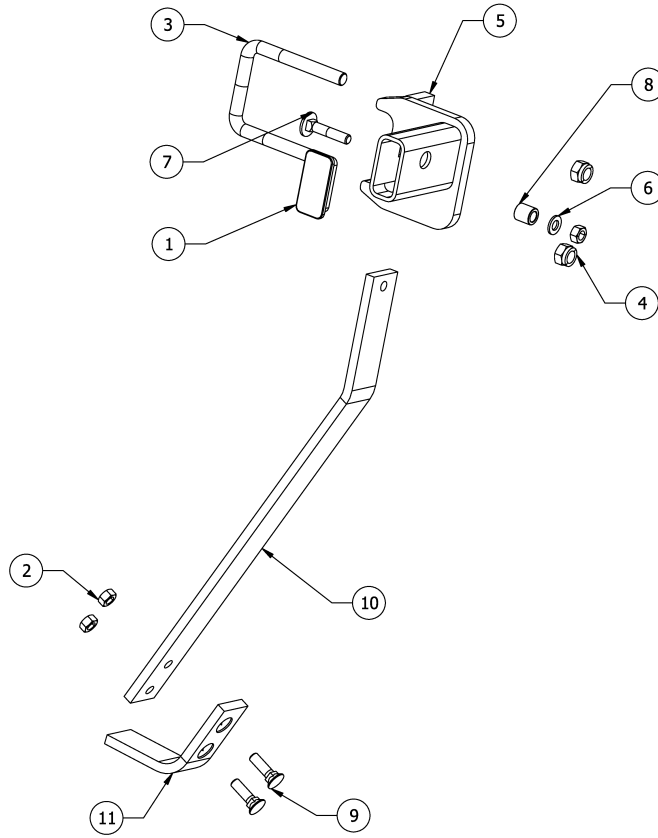
(Applies to HS2200-13, HS2200-16, HS2200-20, HS2200-23 only)

Ref	Part No.	Part Description	Comments	Revision
	DWGTP-69764	Image No. Note: Parts ending in 91 Note: Parts ending in 94	Painted GP Green (limited stock) Painted KV Red. (alternative)	
1.	A135001563	WASHER Ø64 Ø12.5 TH.8		
2.	A135001600	CLOSURE CAP FOR ROLLER FRAME		
3.	A135001700	PROTECTION FLANGE FOR ROLLER BEARING		
4.	A135001898	PROTECTION COVER FOR ROLLER BEARING		
5.	A135002000	BEARING UCF210-50MM-MFTRL		
6.	A135474586	ACTIPACK ROLLER 2M00	13' machines	
6.	A135474786	ACTIPACK ROLLER 2M50	16' machines	
6.	A135474986	ACTIPACK ROLLER 3M00	20' machines	
6.	A135475086	ACTIPACK ROLLER 3M50	23' machines	
7.	KG00456561	HEX. SCREW M10X30 10.9		
8.	KG00477161	HEX. SCREW M12X60 8.8		
9.	KG00644861	CARRIAGE BOLT M12X30 8.8		
10.	KG00853561	COUNTERSUNK HEAD SCREW M16X70 10.9		
11.	KG01067661	LOCK NUT M10 8		
12.	KG01067761	LOCK NUT M12 8		
13.	KG01067961	LOCK NUT M16 8		
14.	KG01267561	WASHER M12		
15.	A100044361	COUNTERSUNK HEAD SCREW M16X50 10.9		
16.	RF2567086	SPRING 25X8 PAINTED		
17.	RF26080X0	EQUIPPED SPRING WITH SKID		
18.	RF2646686	SCRAPPER ACTIPACK		
19.	RF2834891	SCRAPPER BEAM 2M00	13' machines, see paint note	
19.	RF2835091	SCRAPPER BEAM 2M50	16' machines, see paint note	
19.	RF2835191	SCRAPPER BEAM 3M00	20' machines, see paint note	
19.	RF2835291	SCRAPPER BEAM 3M50	23' machines, see paint note	
20.	RF28481	KEY 10 MM ZINCED		
21.	RF3055691	CRACKER ROLLER PRINCIPAL BEAM 2M00	13' machines, see paint note	
22.	RF30655	HEX. SCREW M8X20 8.8 WITH THREADLOCKING		
23.	RF30657X0	SKID WITH BOLTS		
24.	KK010650	UNIVERSAL SPANNER NV 27-36		
25.	KK016025	LOCK NUT M16		
26.	RF3075491	ROLLER REINFORCED PRINCIPAL BEAM 2M50	16' machines, see paint note	
26.	RF3075591	ROLLER REINFORCED PRINCIPAL BEAM 3M00	20' machines, see paint note	
26.	RF3075691	ROLLER REINFORCED PRINCIPAL BEAM 3M50	23' machines, See paint note	

Qualidisc

Central Flow Management Kit

(Applies to HS2200-13, HS2200-16, HS2200-20, HS2200-23 only)



69765

Central Flow Management Kit

(Applies to HS2200-13, HS2200-16, HS2200-20, HS2200-23 only)

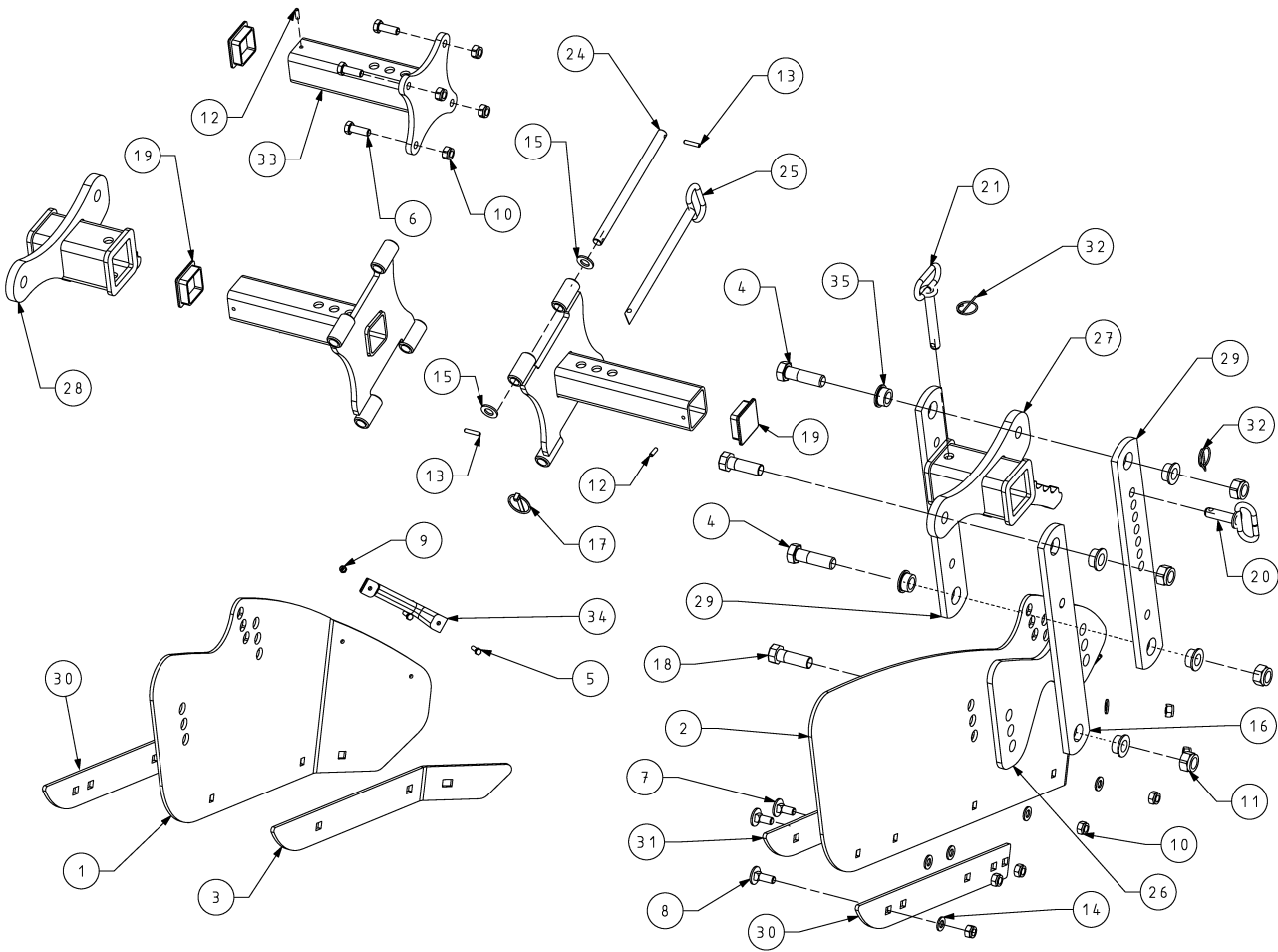
Ref	Part No.	Part Description	Comments	Revision
	DWGTP-69765	Image No. Note: Parts ending in 91 Note: Parts ending in 94	Painted GP Green (limited stock) Painted KV Red. (alternative)	
1.	A135019978	CAP 70X35X1,5-3,5		
2.	KG01052161	HEX. NUT M12 8		
3.	RF04030	U-BOLT DIAM.16 90X90		
4.	KG01067961	LOCK NUT M16 8		
5.	A135019591	CENTER SUPPORT WELDED	see paint note	
6.	KG01267561	WASHER M12		
7.	KG00645461	CARRIAGE BOLT M12X60 8.8 VZ. DIN603		
8.	A135024161	BUSH		
9.	RF00744	SCREW TFCC 12X45 8.8 NF E27354		
10.	A135022386	LEVELLING BLADE		
11.	A135022286	WEARING PART LEVELLING BLADE		

Table of Contents Part Number Index

Qualidisc

Lateral Deflectors

(Applies to HS2200-13, HS2200-16, HS2200-20, HS2200-23 only)



69761

Lateral Deflectors

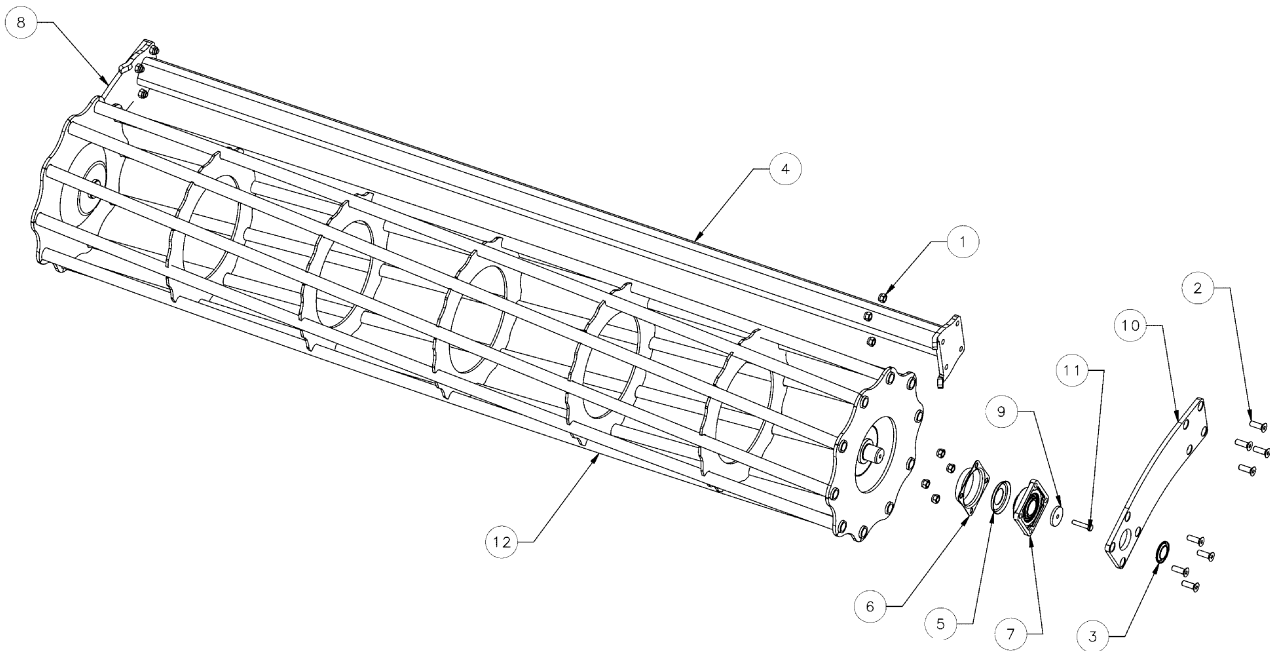
(Applies to HS2200-13, HS2200-16, HS2200-20, HS2200-23 only)

Ref	Part No.	Part Description	Comments	Revision
	DWGTP-69761	Image No. Note: Parts ending in 91 Note: Parts ending in 94	Painted GP Green (limited stock) Painted KV Red. (alternative)	
1.	A135660491	RIGHT DEFLECTOR	see paint note	
2.	A135660591	LEFT DEFLECTOR	see paint note	
3.	A135661086	RIGHT HAND WEAR PLATE		
4.	KG00366661	HEX. BOLT M20X70 8.8		
5.	KG00468961	HEX. SCREW M6X20 8.8		
6.	KG00476661	HEX. SCREW M12X35 8.8		
7.	KG00644861	CARRIAGE BOLT M12X30 8.8		
8.	KG00644961	CARRIAGE BOLT M12X35 8.8		
9.	KG01067361	LOCK NUT M6 8		
10.	KG01067761	LOCK NUT M12 8		
11.	KG01068161	LOCK NUT M20 8		
12.	KG01189162	TENSION PIN 6X20		
13.	KG01189462	TENSION PIN 6X30		
14.	KG01267561	WASHER M12		
15.	KG01267761	WASHER M16		
16.	KW21702561091	CTC PARALLELOGRAM ROD	see paint note	
17.	RF00438	SAFETY PIN 6X42 ZN DIN 11023		
18.	RF02358	SCREW M20X60 CL.8.8 ZN NFE 27311 DIN 931		
19.	RF03790	CAP		
20.	RF0881563	SETTING PIN FOR DISC		
21.	RF1396063	LOCK PIN FOR EDGE DISC		
24.	RF2995761	PIN Ø16 LG 248		
25.	RF2995863	LOCK PIN		
26.	RF3057591	SHIELD DEFLECTOR HOLDER	see paint note	
27.	RF3057691	LEFT DEFLECTOR HOLDER	see paint note	
28.	RF3057791	RIGHT DEFLECTOR HOLDER	see paint note	
29.	RF3057991	DEFLECTOR ROD	see paint note	
30.	RF3112586	WEARING PLATE		
31.	RF3157986	WEAR BLANCK		
32.	RF3194363	SPLIT RING Ø30 X 2.5		
33.	RF3221591	DEFLECTOR HOLDER	see paint note	
34.	RG00040217	HANDLE		
35.	KK310075	SLIDE BRG W-FLANGE D20X16-D30X13		

Qualidisc

Pipe Roller

(Applies to HS2200-13, HS2200-16, HS2200-20, HS2200-23 only)



69763

Pipe Roller

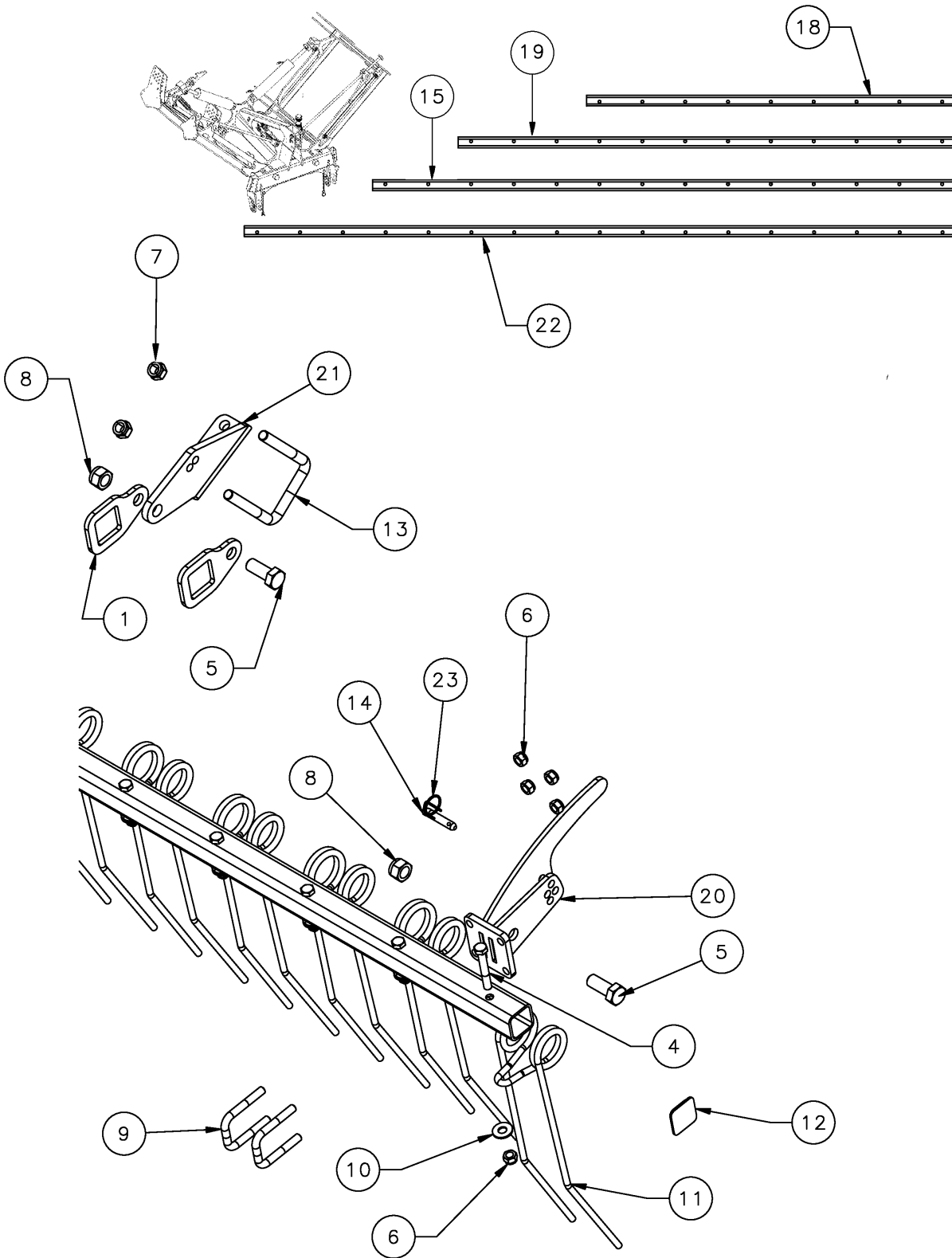
(Applies to HS2200-13, HS2200-16, HS2200-20, HS2200-23 only)

Ref	Part No.	Part Description	Comments	Revision
	DWGTP-69763	Image No. Note: Parts ending in 91 Note: Parts ending in 94	Painted GP Green (limited stock) Painted KV Red. (alternative)	
1.	KG01067961	LOCK NUT M16 8		
2.	A100044361	COUNTERSUNK HEAD SCREW M16X50 10.9	see paint note	
3.	A135001600	CLOSURE CAP FOR ROLLER FRAME		
4.	A135008091	SCREWED ROLLER BEAM 2M00	13' machines, see paint note	
4.	A135008291	SCREWED ROLLER BEAM 2M50	16' machines, see paint note	
4.	A135008491	SCREWED ROLLER BEAM 3M00	20' machines, see paint note	
4.	A135008591	SCREWED ROLLER BEAM 3M50	23' machines, see paint note	
5.	A135001700	PROTECTION FLANGE FOR ROLLER BEARING		
6.	A135001898	PROTECTION COVER FOR ROLLER BEARING		
7.	A135002000	BEARING UCF210-50MM-MFTRL		
8.	A135001191	LEFT ROLLER FRAME FLANGE	see paint note	
9.	A135001563	WASHER Ø64 Ø12.5 TH.8		
10.	A135001091	RIGHT ROLLER FRAME FLANGE	see paint note	
11.	KG00477161	HEX. SCREW M12X60 8.8		
12.	A135006486	CAGE ROLLER Ø550 2M00	13' machines	
12.	A135006686	CAGE ROLLER Ø550 2M50	16' machines	
12.	A135006886	CAGE ROLLER Ø550 3M00	20' machines	
12.	A135006986	CAGE ROLLER Ø550 3M50	23' machines	

Qualidisc

Rear Finger Harrow

(Applies to HS2200-13, HS2200-16, HS2200-20, HS2200-23 only)



69762

Rear Finger Harrow

(Applies to HS2200-13, HS2200-16, HS2200-20, HS2200-23 only)

Ref	Part No.	Part Description	Comments	Revision
	DWGTP-69762	Image No. Note: Parts ending in 91 Note: Parts ending in 94	Painted GP Green (limited stock) Painted KV Red. (alternative)	
1.	A135051691	HOLDER	see paint note	
4.	KG00358161	HEX. BOLT M12X80 8.8		
5.	KG00483661	HEX. SCREW M20X50 8.8		
6.	KG01067761	LOCK NUT M12 8		
7.	KG01067961	LOCK NUT M16 8		
8.	KG01068161	LOCK NUT M20 8		
9.	RF00619	CLAMP IN U-FORM M12 FOR BEAM 50 MM		
10.	RF00721	WASHER LN 12 NFE 27611		
11.	RF0200720	HARROW TINE DIA 10 LG 450MM		
12.	RF02489	CAP 50 X 50 X 5		
13.	RF04030	U-BOLT DIAM.16 90X90		
14.	RF2505663	PIN Ø12 LU 40		
15.	RF3010791	FINGER HARROW HOLDER 3.00 M	20' machines, see paint note	
18.	RF3011091	FINGER HARROW HOLDER 2.00 M	13' machines, see paint note	
19.	RF3011191	FINGER HARROW HOLDER 2.50 M	16' machines, see paint note	
20.	RF3011291	SETTING HOLDER	see paint note	
21.	RF3016491	HOLDER	see paint note	
22.	RF3088191	FINGER HARROW HOLDER 3.50 M	23' machines, see paint note	
23.	RF3194363	SPLIT RING Ø30 X 2.5		



Part Number Index

The Part Number Index is a numeric index of all part numbers included in this manual. The index shows what page(s) the part is used on.

Part Number	Page	Part Number	Page	Part Number	Page	Part Number	Page
A100008774	7	A135447300	31	DWGTP-69754	37	KG01069261	19, 23
A100008974	7	A135447400	31	DWGTP-69756	47	KG01189162	53
A100009974	7	A135447591	31	DWGTP-69757	45	KG01189462	17, 53
A100015574	7	A135450297	45	DWGTP-69758	23	KG01189862	43
A100015774	7	A135471000	45	DWGTP-69759	19	KG011911962	21
A100015974	7	A135472391	11	DWGTP-69760	35	KG01191962	11
A100016174	7	A135474586	49	DWGTP-69761	53	KG01194262	11
A100016374	7	A135474786	49	DWGTP-69762	57	KG01195400	29
A100016574	7	A135474986	49	DWGTP-69763	55	KG01253161	29
A100016974	7	A135475086	49	DWGTP-69764	49	KG01267561	15, 49, 51, 53
A100044361	49, 55	A135481691	9	DWGTP-69765	51	KG01267761	45, 53
A135001091	55	A135481791	9	DWGTP-69766	29	KG01268361	23, 29
A135001191	55	A135481891	9	DWGTP-69767	15	KG01277561	37
A135001563	49, 55	A135481991	9	DWGTP-69771	13	KG01799100	29
A135001600	49, 55	A135482191	47	DWGTP-69772	17	KG01802500	29
A135001700	49, 55	A135482291	47	DWGTP-69773	7	KG01802600	31
A135001898	49, 55	A135482391	47	DWGTP-69785	21	KG01805200	31
A135002000	49, 55	A135482491	47	KG00338361	11	KG01900261	15
A135006486	55	A135482591	47	KG00341561	19, 23	KK010170	23, 47
A135006686	55	A135482691	47	KG00351361	39	KK010315	29
A135006886	55	A135501091	11	KG00353161	35, 37, 39	KK010606	11
A135006986	55	A135501191	11	KG00353261	35	KK010650	11, 49
A135008091	55	A135501291	11	KG00353361	39	KK011131	23
A135008291	55	A135501391	11	KG00353461	35	KK015830	47
A135008491	55	A135615291	19, 23	KG00353861	37	KK016001	23, 25, 27, 47
A135008591	55	A135615930	31	KG00354161	39	KK016025	9, 11, 25, 27, 49
A135015000	13	A135637700	11	KG00356061	11	KK032710	9
A135016300	15	A135639700	41	KG00357761	13, 15	KK032750	9
A135017300	39	A135639800	41	KG00358161	57	KK032770	11, 27
A135019591	51	A135640000	39	KG00358361	43	KK032795	25, 27
A135019978	51	A135640100	39	KG00358661	23, 43	KK032813	47
A135022286	51	A135640200	39	KG00358961	29	KK032906	23
A135022386	51	A135640363	39	KG00362761	11	KK032980	25, 27
A135024161	51	A135640486	39	KG00363161	19	KK301223	47
A135039430	29	A135640586	39	KG00366661	11, 53	KK310075	53
A135040663	37	A135640686	39	KG00367561	23	KW21702561091	53
A135044400	29, 37	A135653300	39, 41	KG00367661	23	KW30800201091	25, 27
A135051100	29	A135660491	53	KG00371661	43	RF00115	43
A135051200	35	A135660591	53	KG00371761	27	RF00166	29
A135051691	57	A135661086	53	KG00456561	49	RF00438	11, 17, 53
A135052700	31	A135718091	29	KG00460561	47	RF00619	57
A135052800	31	A135718191	29	KG00460761	47	RF00721	57
A135053500	41	A135718561	29	KG00468961	15, 53	RF00744	51
A135054200	37	A135819997	45	KG00471761	11	RF0200720	57
A135064400	15	A135820097	45	KG00471961	39	RF02345	11, 21, 23, 29, 35, 43
A135064500	15	A135872991	47	KG00472261	11, 33	RF02358	53
A135064600	13, 15	A135873091	47	KG00476661	53	RF02489	57
A135064700	15	A135919791	21	KG00477161	49, 55	RF02772	35, 37, 39
A135098200	15	A135921491	21	KG00480261	47	RF03790	17, 53
A135098500	15	A140102474	7	KG00480461	45	RF04030	51, 57
A135098600	15	A140143874	7	KG00483661	47, 57	RF0881563	53
A135098700	13, 15	AC351800	37	KG00546061	39	RF1368061	11
A135098800	13, 15	AC351801	39	KG00644861	49, 53	RF1396063	53
A135105591	15	AC351802	35	KG00644961	53	RF14799	35, 37
A135105691	15	AC353558	23, 29	KG00645461	51	RF14800	35, 37, 39
A135105991	15	AC353985	23, 29, 43	KG00853561	49	RF16490	15
A135108400	15	AC356683	23, 29	KG01041761	45	RF17179	29
A135270486	11	AC35713591	45	KG01042161	21	RF1771261	11
A135315000	25, 27	AC35713691	45	KG01052161	51	RF20523	11
A135315391	13	AC357703	45	KG01067361	13, 15, 39, 53	RF22033	11
A135315491	13	AC631335	45	KG01067561	11, 33, 39	RF23915	11
A135323091	25, 27	AC688076	35	KG01067661	11, 49	RF24209	41
A135323930	11, 37	DWGTP-69744	11	KG01067761	13, 15, 29, 43, 49, 53, 57	RF2505663	57
A135338200	39	DWGTP-69745	31	KG01067861	11	RF2520863	43
A135351691	35	DWGTP-69746	33	KG01067961	11, 15, 19, 45, 47, 49, 51, 55, 57	RF25220	29, 35, 37, 43
A135366963	35	DWGTP-69748	9	KG01068161	11, 23, 47, 53, 57	RF25224	43
A135419500	45	DWGTP-69750	25	KG01068361	27, 43	RF25227	39
A135419697	45	DWGTP-69751	27, 43	KG01068561	29	RF25228	39
A135443891	31	DWGTP-69752	39			RF25243	37
A135447200	31	DWGTP-69753	41				



Part Number Index (continued)

Part Number	Page	Part Number	Page
RF25252	35	RF3011191	57
RF25253	29, 35	RF3011291	57
RF25306	43	RF3016491	57
RF25307	35, 43	RF30268	39
RF25308	35	RF30323	11
RF25522	29	RF3032486	29
RF25523	29	RF30353	29
RF25524	29	RF30522	33
RF2567086	49	RF30523	33
RF2577861	11	RF30524	33
RF25793	33	RF30525	33
RF2587991	11	RF30526	33
RF25880	33	RF30527	33
RF26080X0	49	RF30532	11, 37
RF26250	29	RF30534	29
RF2646163	17	RF30536	29
RF2646686	49	RF3055691	49
RF2666791	11	RF3057191	47
RF2716661	11, 21	RF3057591	53
RF27169	11, 21, 29	RF3057691	53
RF27170	11	RF3057791	53
RF27171	11	RF3057991	53
RF27625	35, 43	RF3061491	11
RF2799491	27	RF3063661	11
RF2799591	27	RF3063863	29
RF28000	29	RF3063961	11
RF28001	33	RF30655	49
RF28002	29	RF30657X0	49
RF2834891	49	RF30701X0	45
RF2835091	49	RF3075491	49
RF2835191	49	RF3075591	49
RF2835291	49	RF3075691	49
RF2837063	23	RF3080161	11
RF28413	33	RF3088191	57
RF28414	33	RF30894	35
RF28450	45	RF30895	35
RF28481	49	RF30906	43
RF29043	35, 37	RF30908	39
RF29044	35, 43	RF30921	37
RF29046	35	RF3112586	53
RF2919763	11	RF31170	11
RF2920191	11	RF3124491	23
RF2921361	43	RF3124763	23
RF29216	41	RF31569	39
RF29235	39	RF31572	39
RF29240	39	RF3157986	53
RF29241	39	RF3178361	11
RF29247	37, 39	RF3182686	23
RF29250	39	RF3189786	43
RF29251	39	RF31898	43
RF29282	43	RF3189963	43
RF29287	43	RF3190063	43
RF29288	39	RF3194363	53, 57
RF29291	35, 37	RF31968	35
RF2931091	43	RF31972	35
RF2981686	11, 37	RF3197591	47
RF29817	11, 37	RF3197761	47
RF2981886	37	RF3197963	47
RF2981986	11, 37	RF3198091	47
RF29865	23	RF3198191	47
RF2992763	9	RF3221063	43
RF2995291	17	RF3221591	53
RF2995761	53	RFGAINE024	29
RF2995863	53	RFGAINE026	39
RF2998991	19	RG00040217	53
RF2999091	19	VGND97068	33
RF2999291	19	VGND97069	33
RF3002161	17	VN41702899	11, 21, 23, 29, 31, 35, 43
RF3009791	47		
RF3010791	57		
RF3011091	57		



Great Plains Mfg., Inc.
1525 E. North Street
Salina, Kansas 67401 USA

www.greatplainsmfg.com
