

Quick Installation Guide

for Halcyon HFI Flex Zone Systems

- **WARNING: Do not attempt to install this system unless you've completed Fujitsu Halcyon HFI Contractor Training online.**
- To take the training, register or sign on to Fujitsu's Dealer Toolbox at www.fujitsugeneral.com/dealer_toolbox.htm.
- Once approved (approval can take 24-36 hrs. contact Fujitsu Territory Rep) log in: click on TOOLS then ONLINE TRAINING.
- Technical support will NOT be provided on HFI FLEX 4 ton models unless the company has completed this online training first.
- The training material will answer 95% or more of your installation questions and startup problems.
- Once training is completed and the installation has been updated to match installation instructions, support will be provided.
- Use this Quick Installation Guide to install the 48,000 BTU Halcyon HFI Flex Zone system.
- Refer to the complete installation manual for specific details and applications.
- To download the newest installation manual go to the Dealer Toolbox at www.fujitsugeneral.com/dealer_toolbox.htm.

1 Checklist



- AOU48RLXFZ1 Outdoor Condensing Unit
- Separation Tube Assemblies
 - when using more than one branch box
- Branch boxes
 - primary used for 1-3 indoor units
 - secondary used when installing more than 3 units
- Correctly sized line sets (both lines insulated separately)
- 2 to 8 Indoor units Halcyon HFI type (RLF or RLS2)
- Pipe, wire, fittings, and mounting hardware
- R410a adaptor(s) Part# K9R410A55
- Nitrogen and 600 PSI regulator to purge and pressure test lines.
- Vacuum pump, micron gauge and torque wrench
- Normal tools for mini-split installation

2 Things to Note



- This is a quick installation guide **not** intended to replace the actual installation manual. For complete instructions follow the installation manual that is included with **each** piece of equipment.
- Don't take shortcuts and Don't follow any "rule of thumb"
- Always follow Local, State & Federal codes during installation
- Don't connect power to the equipment until you are ready to start and test.
- Adhere to all safety and installation warnings on the installation instructions for this equipment.
- Long piping can limit capacity. Please refer to the Design & Technical Manual for details.

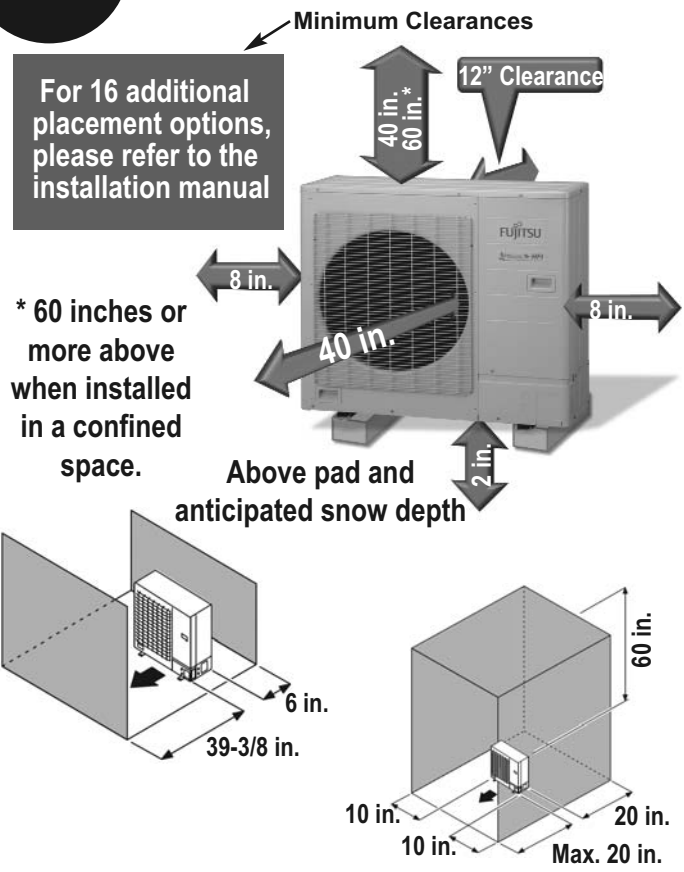
3 Branch Boxes

When installing Branch Boxes:



- Always install and tighten required flare adapters **BEFORE** installing or attaching Branch Box to the wall or ceiling especially in a confined space.
- Always tighten any flare caps on unused circuits.
- If you use pre-flared refrigerant pipes: Remember to remove the rubber end plug before attaching!
 - Use flare nuts that come with the equipment, not with the line sets.
- Do not turn on power to system or branch boxes before completing full evacuation and refrigerant charging! (Expansion valves will close)

4 Unit Placement



5a Branch Boxes: Special Precautions

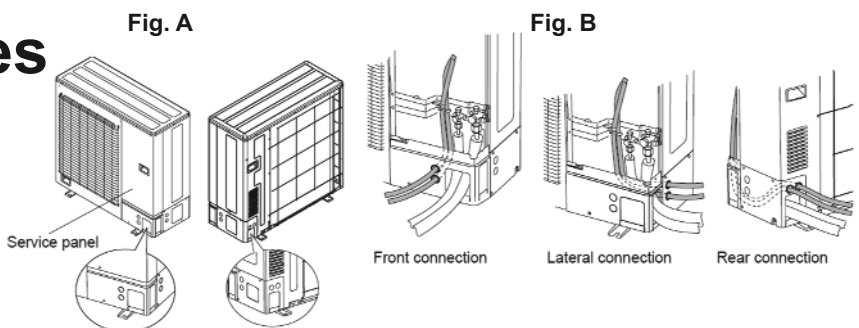
WHEN WIRING
ELECTRICAL SHOCK CAN CAUSE SEVERE PERSONAL INJURY OR DEATH. ONLY A QUALIFIED, EXPERIENCED ELECTRICIAN SHOULD ATTEMPT TO WIRE THIS SYSTEM.



- Do not supply power to branch boxes or outdoor unit until refrigerant charging is completed.
- Highly dangerous electrical voltages are used in this system. Carefully refer to the wiring diagram and these instructions when wiring. Improper connections and inadequate grounding can cause accidental injury or death.
- Ground the unit following local electrical codes.
- Connect all wiring tightly. Loose wiring may cause overheating at connection points and a possible fire hazard.

5b Knock Out Holes

- There are 4 knockouts for piping: front, right, bottom, and back.
- Knock out holes are provided 2 each in the same size in front, lateral, and rear sides (Fig. B)



6

Basic Wiring Overview

Refer to installation manual for complete wiring and design criteria.



WARNING!

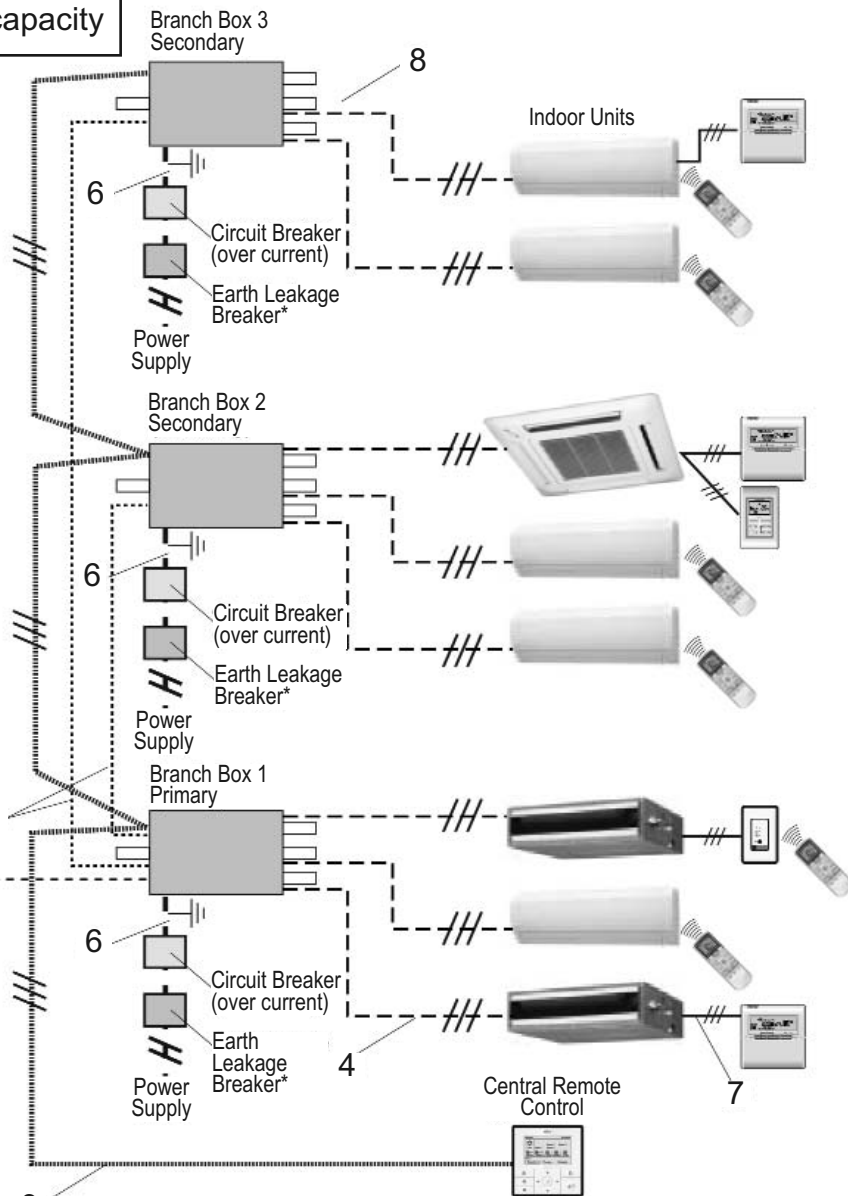
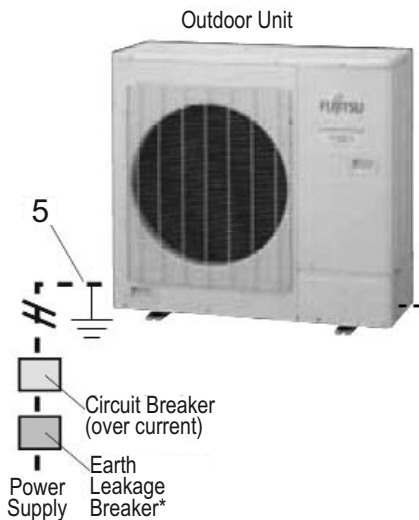
DO NOT TURN ON POWER TO SYSTEM OR BRANCH BOXES BEFORE COMPLETING FULL EVACUATION AND REFRIGERANT CHARGING!

39,000 Btu Minimum connected capacity
62,000 Btu Maximum connected capacity

*Caution:

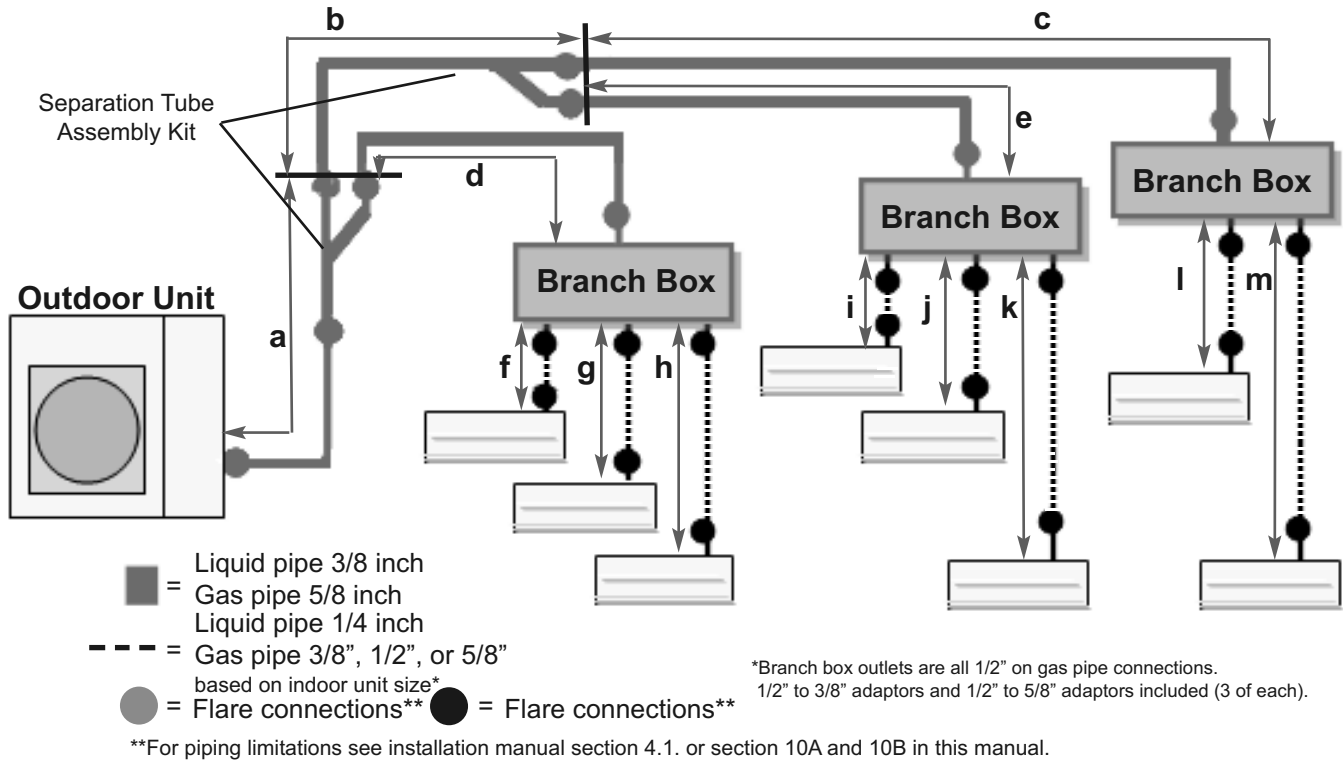
When installing this system in high humidity locations, install using ground fault equipment breakers (often referred to in other countries as an ELCB earth leakage current breaker) to reduce the risk of leaking current which may result in electric shock or potential fire. We suggest installing GFEB breakers or follow local electrical code. This system uses an inverter, which means that when used with a ground fault breaker you must use breakers that can handle higher harmonics such as a (GFEB) Ground Fault Equipment Breaker (30 mA or greater) in order to prevent malfunctioning of ground fault device.

Outdoor Unit Electrical Requirements.
 40A Breaker 8AWG 2+Ground
 (See steps 21A and 21B for additional wiring information.)

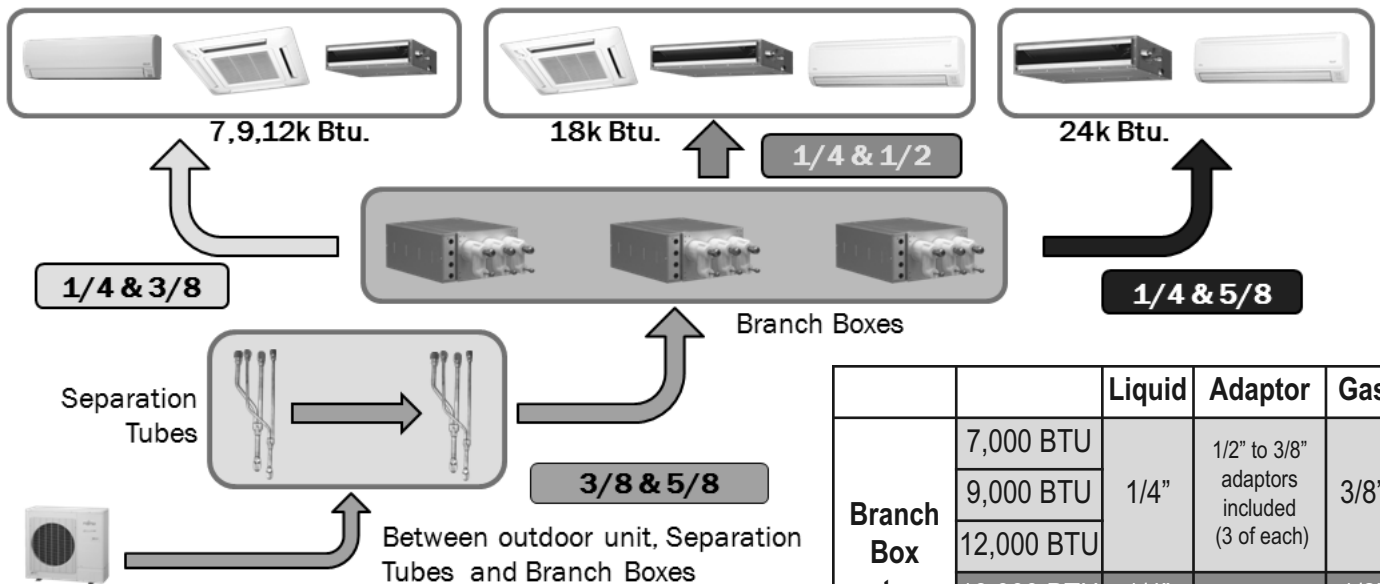


- 1 - Communication wires [Outdoor unit to Primary (Branch Box) B.B.]
- 2 - Communication wires [Primary B.B. to Secondary B.B.]
- 3 - Central remote controller wires [Central remote controller to B.B.]
- 4 - Power supply and Communication wires [B.B. to indoor units]
- 5 - Power supply [Outdoor unit]
- 6 - Power supply [Branch Box]
- 7 - Remote control wires [Indoor units to Remote Controller]

7 Piping Restrictions



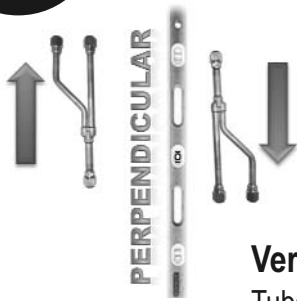
8 Refrigerant Pipe Sizes



Note: All indoor unit liquid lines are 1/4". Suction line changes with BTU value for indoor unit.

		Liquid	Adaptor	Gas
Branch Box to Indoor Unit	7,000 BTU	1/4"	1/2" to 3/8" adaptors included (3 of each)	3/8"
	9,000 BTU			
	12,000 BTU			
	18,000 BTU	1/2"		1/2"
	24,000 BTU	1/4"	1/2" to 5/8" adaptors included (3 of each)	5/8"

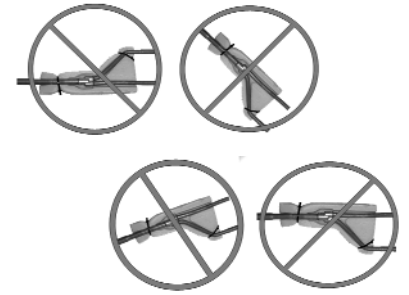
9 Separation Tube Assembly



Vertical Positioning*:
Tubes must stand straight up or down. They **CANNOT** be tilted or angled more than 10% off perfectly vertical.



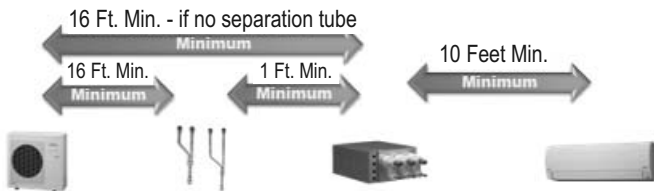
Horizontal Positioning*:
Tubes must lay flat horizontal. They **CANNOT** be tilted or angled more than 10% off Flat and Level in either direction.



*If not level or plumb refrigerant flow to each circuit will not be even and capacity will be effected.

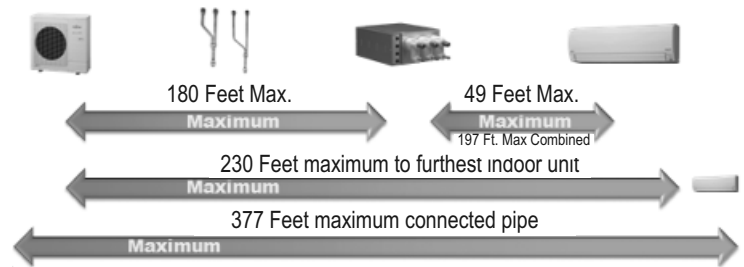
10a Pipe Length

MINIMUM Allowable Pipe Lengths



Note: Pipe lengths must include fitting losses.

MAXIMUM Allowable Pipe Lengths

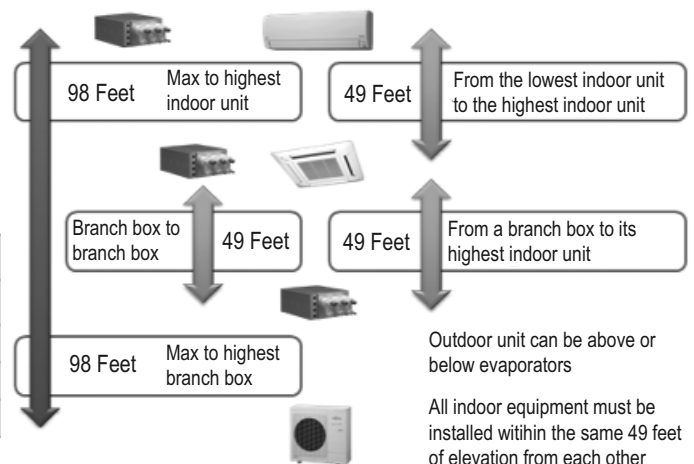


Pipe Limitation		Limitations	
Allowable pipe length (actual pipe length)	Total Pipe Length	Up to 377 ft.	
	Between outdoor unit and the farthest indoor unit	Up to 230 ft.	
	Between outdoor unit and branch boxes	Up to 180 ft.	
	Between branch boxes and indoor unit	Total	Up to 197 ft.
		Ea. Unit	10 ft. to 49 ft.
	Between outdoor unit and the first separation tube	16 ft. or more	
	Between outdoor unit and branch box (no separation tube)	16 ft. or more	
Between outdoor unit and branch box (if separation tube used)	17 ft. or more		

10b Elevation

Maximum allowable height difference
Height = Elevation, not pipe length

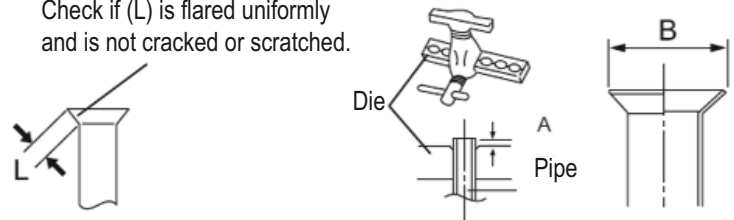
Pipe Limitation		Limitations
Allowable height difference	Between outdoor unit and indoor unit	Up to 98 ft.
	Between outdoor unit and branch box	Up to 98 ft.
	Between branch box and branch box	Up to 49 ft.
	Between indoor unit and indoor unit	Up to 49 ft.



11 Flaring

- Cut pipe with a sharp tube cutter
- Deburr & clean out shavings
- Flare with quality R410-A flaring tool
- Set depth properly for good flange
- Make sure nut pulls easily over flange not scraping threads. Too big and it will leak.
- Place a thin film of POE oil on the male bevel.
- Hand tighten keeping line straight.
- Tighten correctly using a torque wrench according to the, "Tightening torque" chart.

Check if (L) is flared uniformly and is not cracked or scratched.



Pipe outside diameter in.(mm)	Dimension A in. (mm)	Dimension B in. (mm)
	Flare tool for R410A, clutch type	
1/4 (6.35)	0 to 0.0197 (0 to 0.5)	23/64 (9.1)
3/8 (9.52)		33/64 (13.2)
1/2 (12.7)		21/32 (16.6)
5/8 (15.88)		25/32 (19.7)

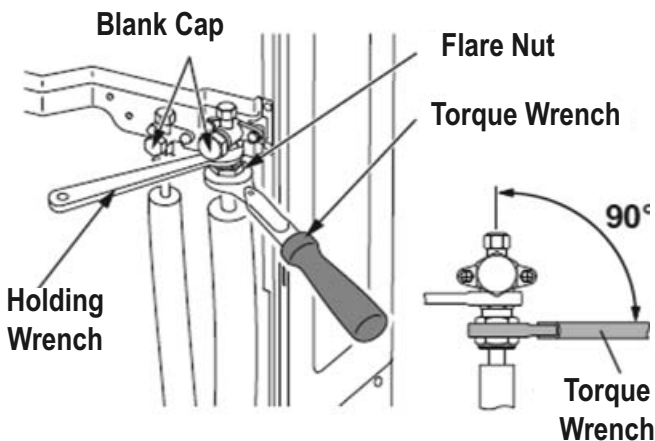
12 Pipe Size Torque

Flare nut (lbf) Tightening torque

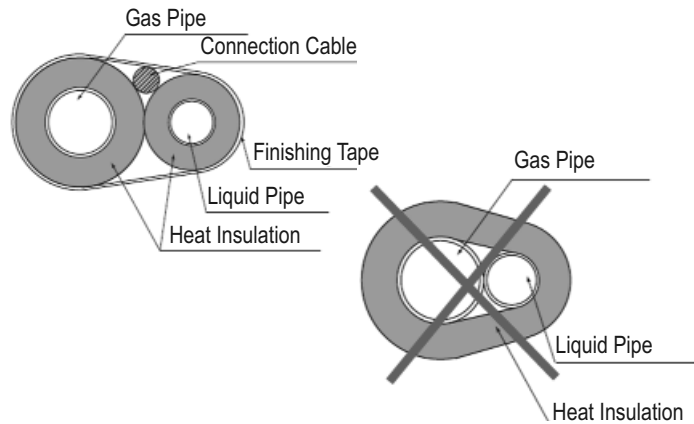
1/4 - 16 to 18
3/8 - 32 to 42
1/2 - 49 to 61
5/8 - 63 to 75

Flare nut (N·m) Tightening torque

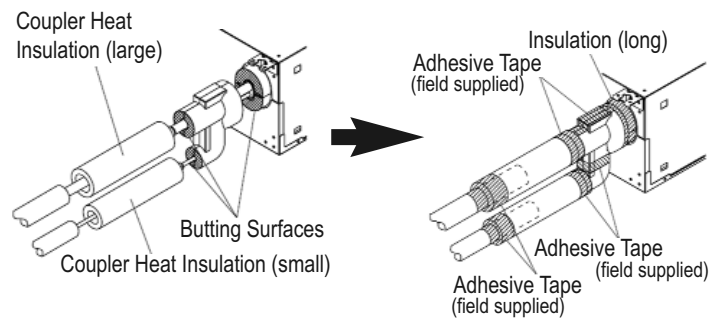
6.35 - 142 to 159
9.52 - 283 to 372
12.70 - 434 to 540
15.88 - 558 to 664



13 Insulation

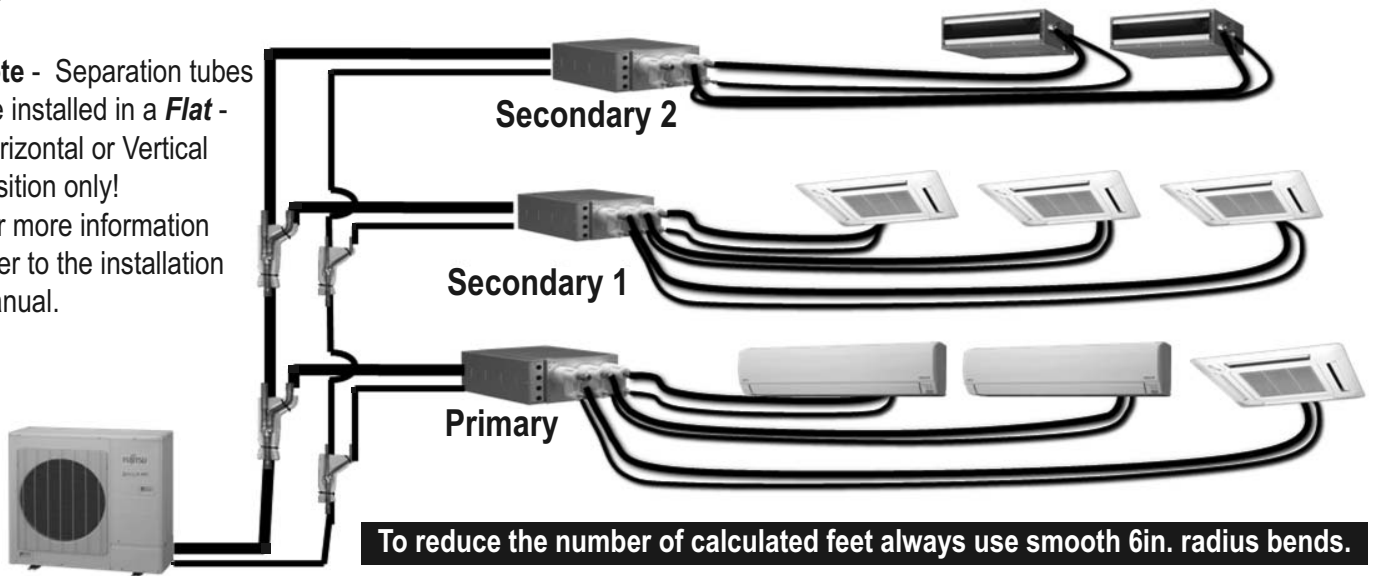


All refrigerant pipes and connections
MUST BE INSULATED SEPARATELY



14 Refrigerant Pipe - Example Layout

Note - Separation tubes are installed in a *Flat* - Horizontal or Vertical position only!
For more information refer to the installation manual.



15a Equivalent Pipe Length

An onsite bend of less than 6 in. radius is calculated at .35 Equivalent Feet.

Halcyon HFI system requires any bends tighter than a 6 in. radius to be counted as extra feet of pipe.

- Count the number of bends that have a less than 6 in. radius _____ (#)
- Multiply the number of bends by 0.35 = (Equivalent Length)
- Add the Equivalent length to the actual feet of installed line set = the calculated length.



15b

Example: (Your pipe sizes are 5/8 and 3/8)
A System with 5 bends each less than 6 in radius between the outdoor unit and the 1st branch box.

$$5/8 - \text{Multiply no. of bends } \underline{5} \times 0.35 = 1.75(\text{ft})$$

$$3/8 - \text{Multiply no. of bends } \underline{5} \times 0.35 = 1.75(\text{ft})$$

Now add those 2 together to equal= **3.5 (ft)**

3.5 feet added to actual length makes the equivalent pipe length you must calculate.

*This does not effect the refrigerant charge. This has to do with friction loss due to bends. This will be added to your piping length and must remain under the maximum piping length for each zone and the entire system.

When brazing:

Refer to the installation manual when using elbows or hard pipe for pipe length calculation.

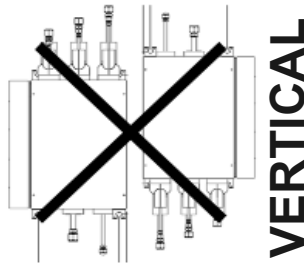
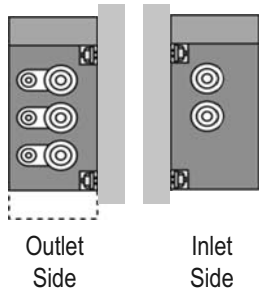
Do not cut flare fittings off equipment.

If you do not want to count elbows use hand bent long radius turns greater than 6 inches.

16a Branch Box Layout

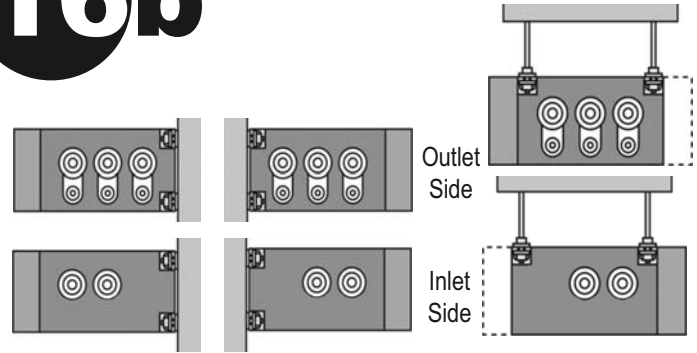
4 factory supplied hanger brackets allow for flexible positioning.

Vertical Wall Mount



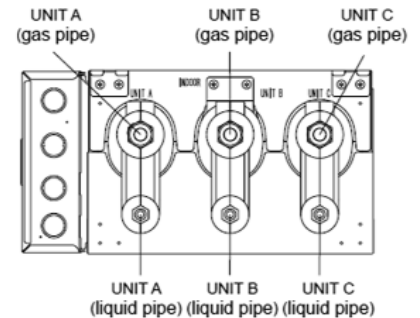
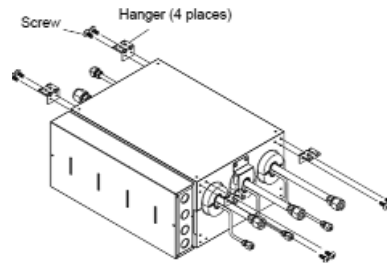
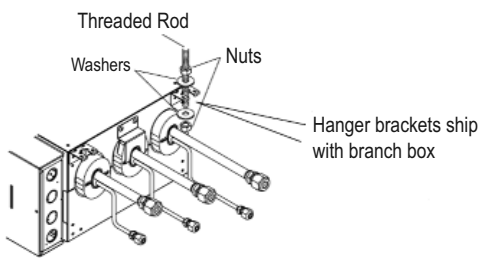
- Factory Insulated Branch Boxes do not need a condensate drain line or a drain pan.
- Incorrect installation will void warranty and may cause electrical short in board.
- Suction line should always be on the top or side never on the bottom in relation to the discharge line. Electrical box is never on the bottom.

16b



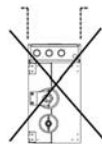
- Can be hung from the ceiling or on the wall by changing the location of hanger.
- Control box can be attached to the either side in **HORIZONTAL** position only.
- Branch box can be installed outside if optional outdoor enclosure is purchased. Part#UTP-PX-A
- **Cannot be mounted in a space above 80% relative humidity.**
- May be installed in a storage space that is inside the insulated envelope of the building.
- Must be installed where you can access the board or flares if needed.

17 Branch Box Installation



CAUTION

- Do not hang from the ceiling when performing a vertical installation.
- Secure the accessory hangers to the branch box with the screws provided.
- Use 3/8 threaded rods with hexagonal nuts and washers (field supplied) as shown on the figure.
- Make sure branch box is level before fastening the nuts. (The unit's slope must be within $\pm 5^\circ$ from level.)

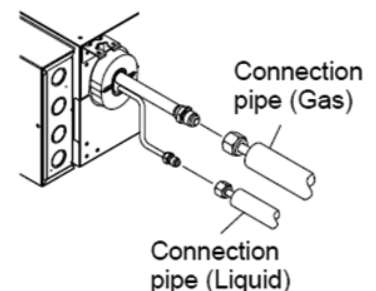


Branch box is marked with engraved letters indicating each corresponding indoor unit (UNIT A, UNIT B and UNIT C).

- UNIT A: Refrigerant pipe connection port for UNIT A
- UNIT B: Refrigerant pipe connection port for UNIT B
- UNIT C: Refrigerant pipe connection port for UNIT C

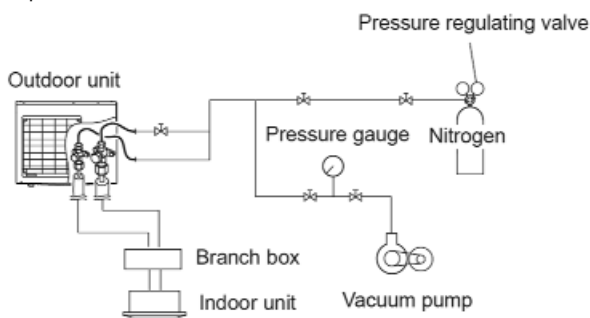
CAUTION

Label all the refrigerant piping (liquid pipe, gas pipe) specifying to which indoor units they will be connected.



18 Leak Test **YOU MUST!**

- After connecting all refrigerant pipes connect gauge hose and a regulated nitrogen tank to one connection of the outdoor unit's port and purge entire system with nitrogen through the indoor units and back out the other port.
- Pressurize the entire piping system with nitrogen to 600PSI and leak test every fitting carefully with soap bubbles!
- Perform a 24 hour standing pressure test with nitrogen to assure a leak free system
- Keep service valves on the outdoor unit closed until system is evacuated and refrigerant is added.
- It is highly recommended that you replace the oil in the vacuum pump before it is used.



19 Evacuate & Charge **YOU MUST!**



Never apply power to a Fujitsu HFI system until leak testing, repair, evacuation & the refrigerant has been added to the system!

- After completing nitrogen purge and leak test slowly remove nitrogen from the system
- Connect vacuum pump and micron gauge
- Using industry standard "Best Practices" evacuate system to **500 microns** and make sure it holds for 60 minutes.
- While evacuating calculate system charge requirements.



20 Refrigerant Charge

IMPORTANT NOTE:
R410a must be added to ALL Halcyon HFI Systems!

Charge is based on length of the **liquid/small** line side of the system's pipes

- Total length in feet of liquid 3/8" (small) pipes from outdoor unit **to Branch Boxes**
- Total length of feet of liquid 1/4" pipes from Branch Boxes **to all indoor units**
- Then add charge based on table below.

Calculate the refrigerant charge as follow:

- Multiply 3/8" calculated pipe length **from outdoor unit to branch boxes** by .624 oz per ft.
- Multiply calculated 1/4" pipe length **Branch Boxes to all Indoor Units** by .224 oz per foot

Never apply power to a Fujitsu HFI system until leak testing and evacuation and system refrigerant has been added!

Example: 78 ft calculated 3/8" pipe & 110 feet of calculated 1/4" pipe

- 3/8"@78ft X .624oz = 48.672oz divide oz by 16 to get 3.042lbs
- 1/4"@110ft X .224 oz = 24.64 oz = divide by 16 to get 1.54lbs
- Now Add 3/8" @ 48.672oz + 1/4"@ 24.64oz = 73.31oz – 4.58 lbs of R410a

Pipe Diameter	Location	Additional Refrig.
3/8"	Outdoor to Branch Box	0.624 oz./ft. or 58g/meter
1/4"	Branch Box to Indoor Unit	0.224 oz./ft. or 21g/meter
(Total length of 3/8" liquid line × 0.624 oz./ft. or 58g/meter) + (Total length of 1/4" liquid line × 0.224 oz./ft. or 21g/meter)		
(a+b+c+d+e) × 0.624 oz./ft. or 58g/meter + (f+g+h+i+j+k+l+m) × 0.224 oz./ft. or 21g/meter = additional refrigerant		

21a Electrical Requirement - Outdoor Unit

Dedicated 208/230 40A breaker for outdoor unit.

Voltage Rating	1 Ø 208/230V (60Hz)
Operating Range	187 - 264V

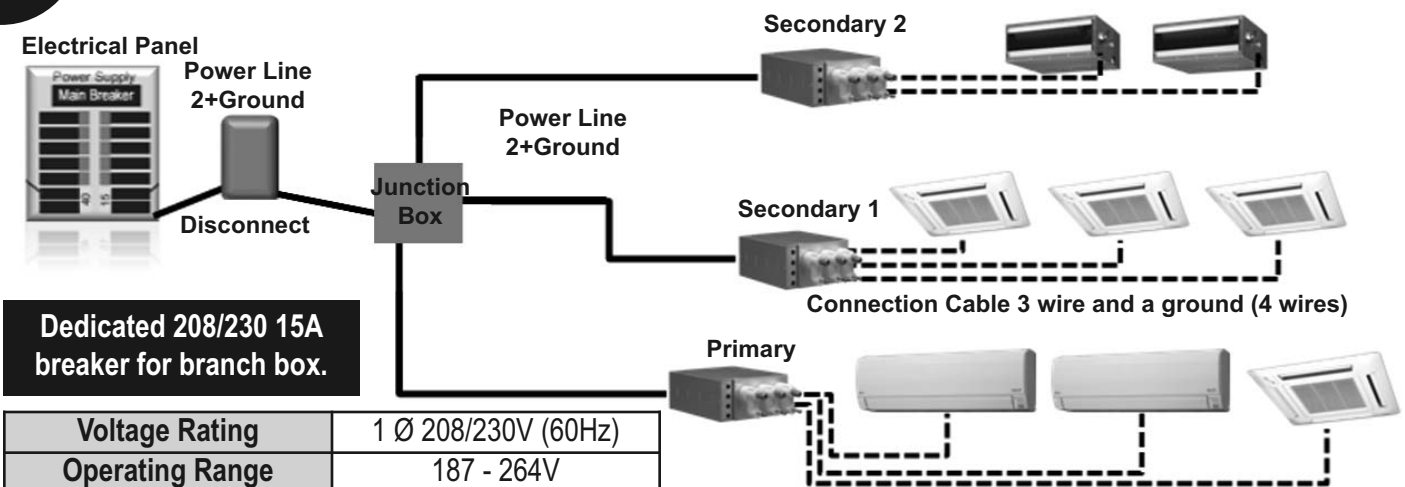
Cable	Cable Size	Remarks
Power Supply Cable	8 AWG	2 cable + Ground, 1 Ø 208/230V
Communication Cable	14 AWG	3 cable + Ground, 1 Ø 208/230V

Breaker	Capacity (A)
HACR Breaker*	40



* When installing this system in high humidity locations, install using ground fault equipment breakers (often referred to in other countries as an ELCB earth leakage current breaker) to reduce the risk of leaking current which may result in electric shock or potential fire. **We suggest installing GFEB breakers or follow local electrical code.** This system uses an inverter, which means that when used with a ground fault breaker you must use breakers that can handle higher harmonics such as a (GFEB) Ground Fault Equipment Breaker (30 mA or greater) in order to prevent malfunctioning of ground fault device.

21b Electrical Requirement - Branch Boxes



Dedicated 208/230 15A breaker for branch box.

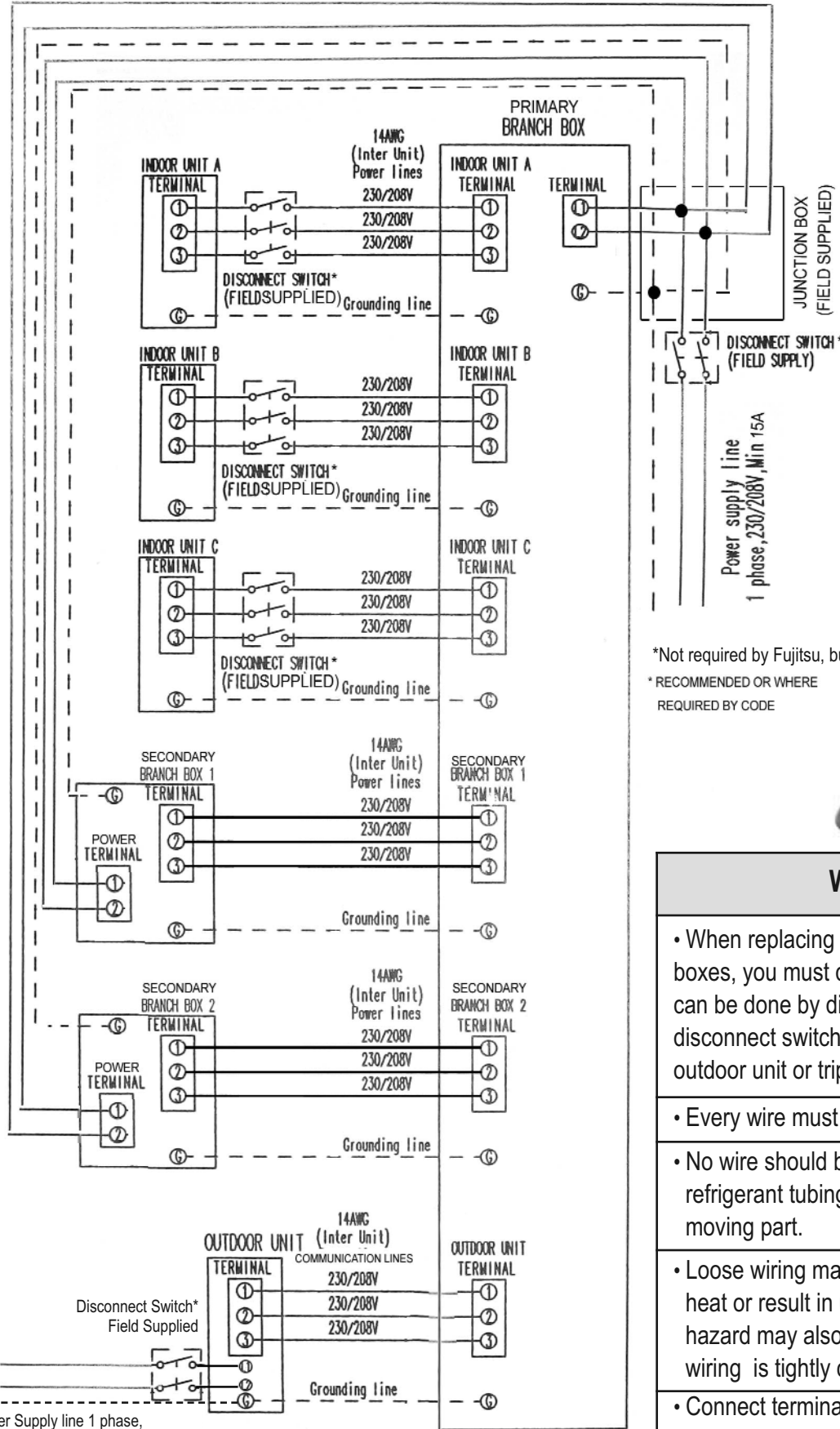
Voltage Rating	1 Ø 208/230V (60Hz)
Operating Range	187 - 264V

Cable	Cable Size	Remarks
Power Supply Cable	14 AWG	2 cable + Ground, 1 Ø 208/230V
Connection Cable	14 AWG	3 cable + Ground, 1 Ø 208/230V

Breaker	Capacity (A)
HACR Breaker*	15

* When installing this system in high humidity locations, install using ground fault equipment breakers (often referred to in other countries as an ELCB earth leakage current breaker) to reduce the risk of leaking current which may result in electric shock or potential fire. **We suggest installing GFEB breakers or follow local electrical code.** This system uses an inverter, which means that when used with a ground fault breaker you must use breakers that can handle higher harmonics such as a (GFEB) Ground Fault Equipment Breaker (30 mA or greater) in order to prevent malfunctioning of ground fault device.

Wiring Primary Branch Box



*Not required by Fujitsu, but recommended.

*RECOMMENDED OR WHERE REQUIRED BY CODE



WARNING

- When replacing or servicing any branch boxes, you must disconnect all power. This can be done by disconnecting power at the disconnect switch by the junction box and the outdoor unit or tripping both breakers.
- Every wire must be connected firmly.
- No wire should be allowed to touch refrigerant tubing, the compressor or any moving part.
- Loose wiring may cause the terminal to overheat or result in unit malfunction. A fire hazard may also exist. Therefore, be sure all wiring is tightly connected.
- Connect terminal blocks - primary to secondary using matching terminals / wire colors.

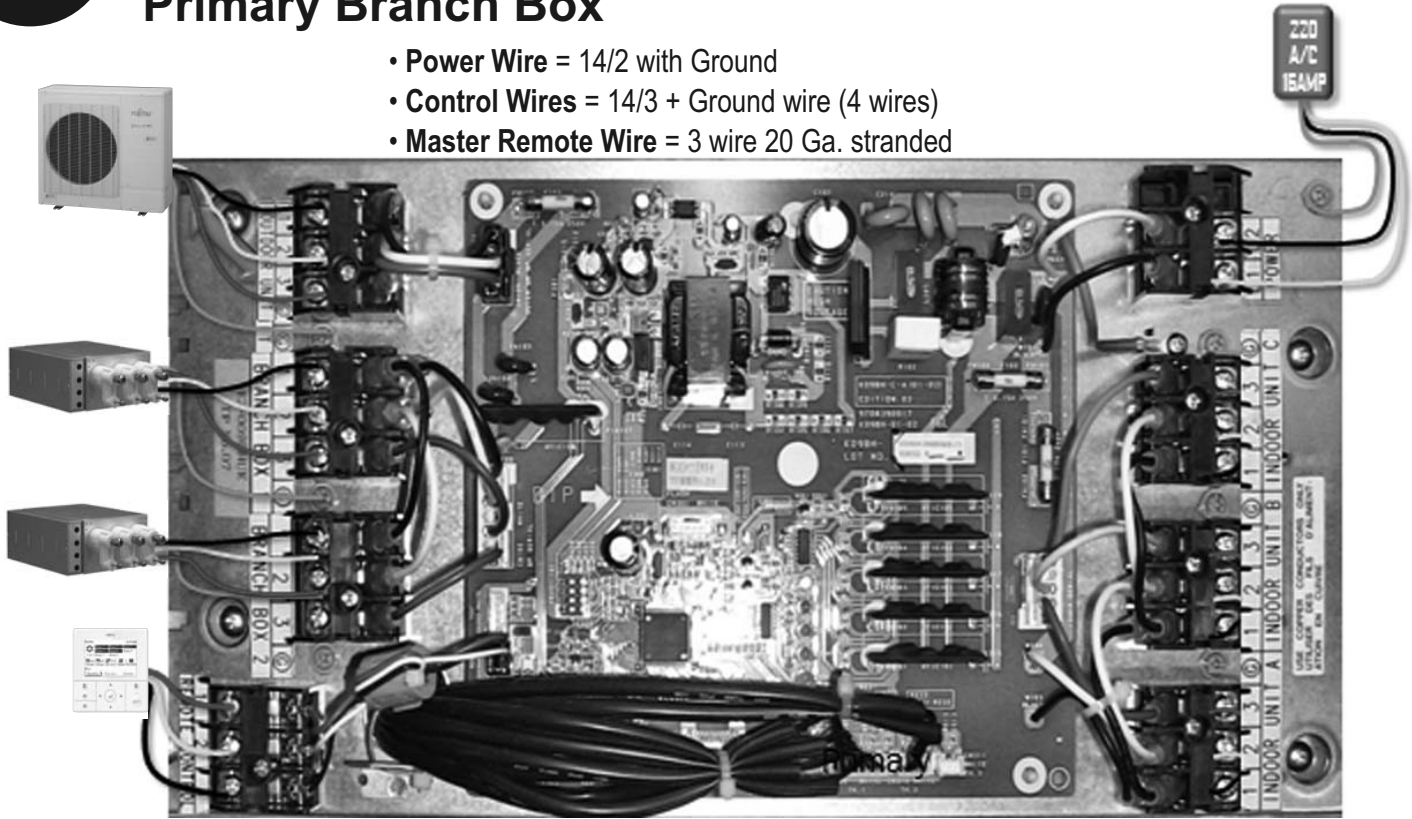
Power Supply line 1 phase, 208/230, MCA 40 Amp

23

Electrical Connection

Primary Branch Box

- Power Wire = 14/2 with Ground
- Control Wires = 14/3 + Ground wire (4 wires)
- Master Remote Wire = 3 wire 20 Ga. stranded

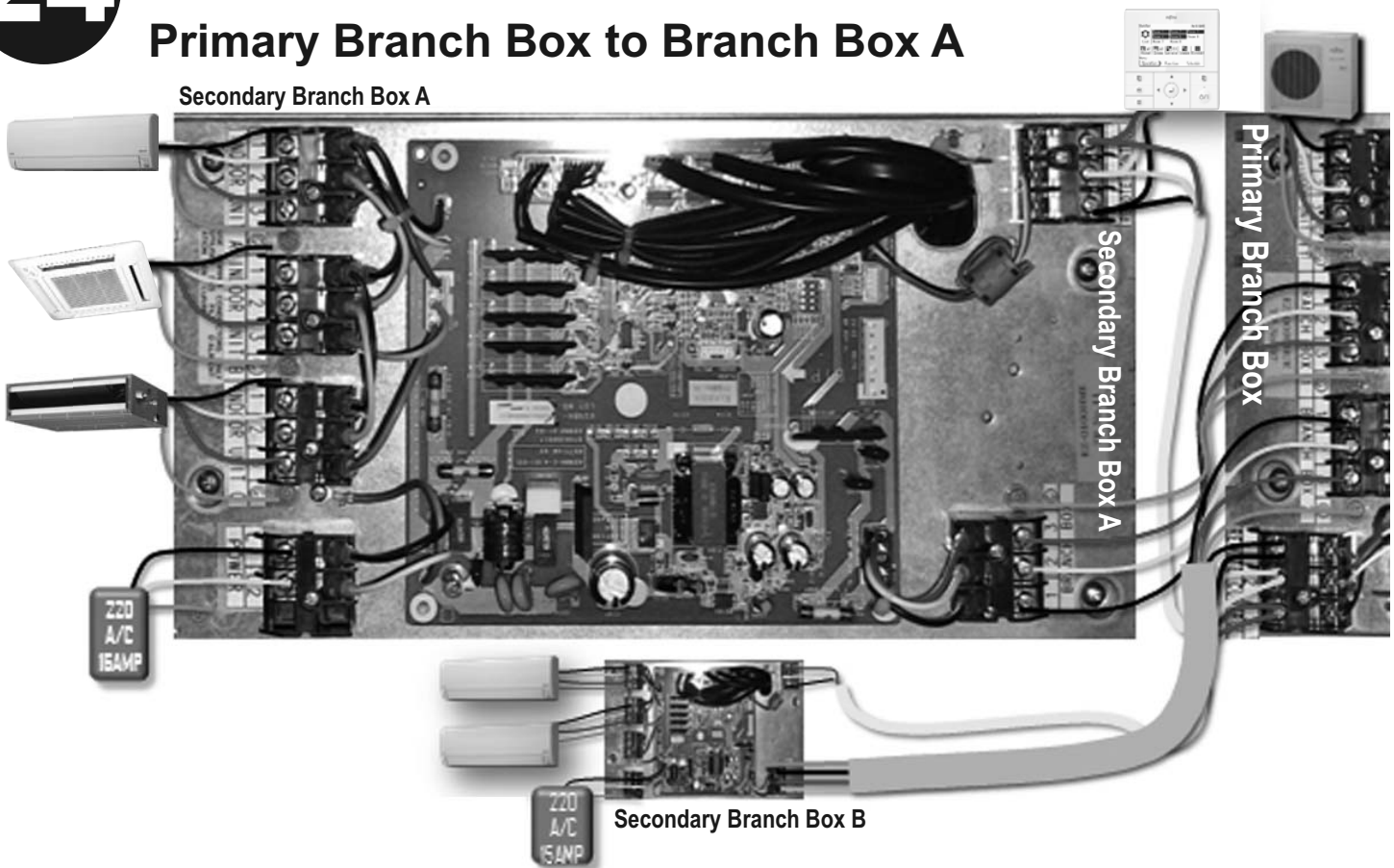


24

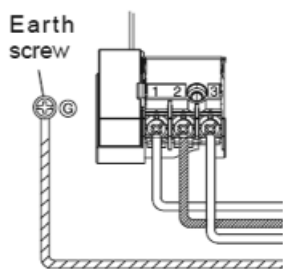
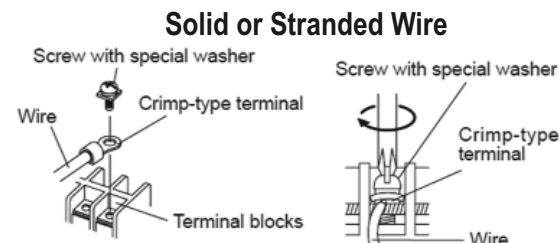
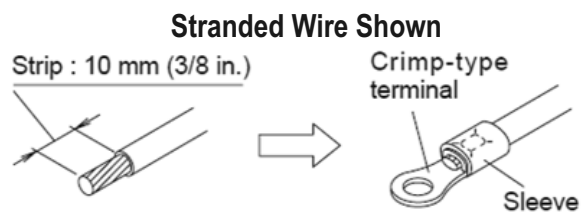
Electrical Connection

Primary Branch Box to Branch Box A

Secondary Branch Box A



25 Electrical Connections



26 Before Turning On Power

1. Was the system leak tested, purged with nitrogen and evacuated?
2. Have all refrigeration lines been insulated separately?
3. Was the correct amount of refrigerant added? All HFI systems require the addition of refrigerant
4. Is the system electrical supply all connected according to instructions and codes?
5. Are all system electrical connections tight?
6. Have the service valves been opened on the outdoor unit?



27 Pre-Start-Up Checklist

Perform the Check Operation - auto diagnostic function
- See installation manual before running Check Operation system function.

ALWAYS PERFORM THE CHECK OPERATION. NORMAL OPERATION WILL NOT BE POSSIBLE WITHOUT PERFORMING THE CHECK OPERATION.
If you attempt Test Run or system operation "FAIL" is displayed when operating the unit before the check operation is completed. Once the Check Operation has been performed put system in Test Run mode.

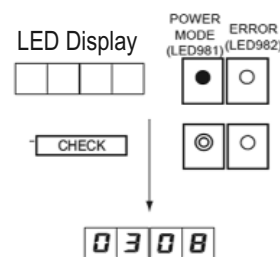
Read actual installation manual for complete details on the operating conditions and limitations during "check operation."

- Turn power on to branch boxes and indoor units but make sure to leave the indoor units off with the remotes.
- Do not try to operate indoor units with remotes until check run has been completed.
- If you get an E156 error code most likely one of the indoor units is turned on. Make sure all are off.

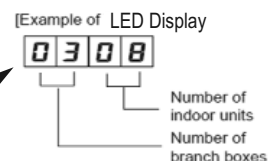
28a Check Operation

(1) Turn on power to the outdoor unit, indoor units and branch boxes.

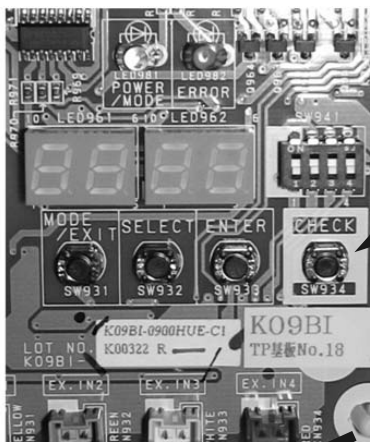
(2) Press and hold the CHECK button for approximately 5 seconds.



(3) The number of connected branch boxes and internal units will be displayed on the display. Check that the displayed number matches the actual number of connected units.

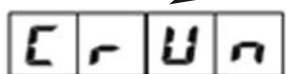


28b



(4) Press and hold the **CHECK** button **again** for approximately 5 seconds. The Check operation will start.

(5) Check operation will stop automatically. If you **MUST** stop the system, press the **MODE/EXIT** button. connected units.

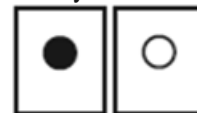
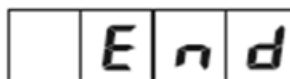


Operating in Check Run Mode



28c

Check operation will stop automatically when done.



OPERATION HAS FINISHED
NORMALLY WITHOUT ERROR.

You cannot execute the stop operation using the remote control.

When an error occurs, consult the installation manual for complete instructions following error display.

When you've completed Check Run, power needs to be turned off to the ENTIRE SYSTEM for 5 minutes.

Before finishing:

- Confirm operation of each indoor unit individually
 - Check for cool or warm air flow depending on mode
 - Confirm air flow and louver operation
 - Make sure all remotes operate the units

29 Test Run

Perform after successful Check Operation (28a) above.

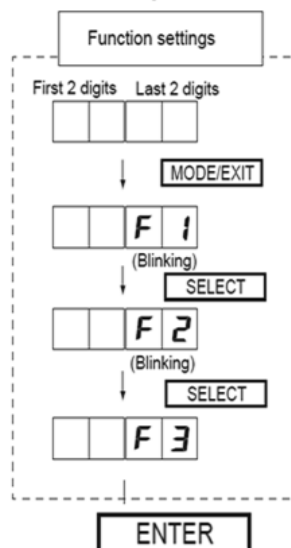
Test run is not possible during an error code condition.

Refer to the installation manual for all error codes and repair instructions.

- During test run, the outdoor unit and the connected indoor units will start operating. Room temperature control along with the remote controller commands will be ignored during test run.
- Test run set with the outdoor unit doesn't stop automatically. Be sure to stop the Test Run to place the system in normal operation cooling/heating.
- Operation mode cannot be changed during the test run. To change the operation mode, please stop test run first.

30 Test Run Setting

Test run setting method

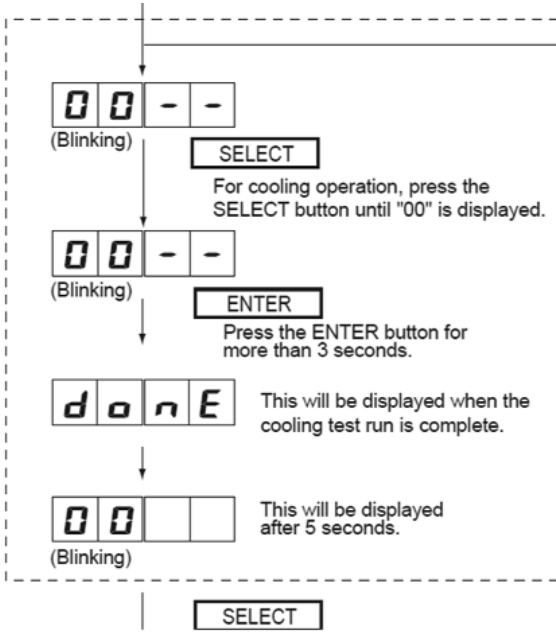


- MODE/EXIT** Press the "MODE/EXIT" button.
- SELECT** Press the "SELECT" button.
- ENTER** Press the "ENTER" button.

(When [F4] to [F9] are displayed, continue to press the SELECT button until [F3] is displayed.)

- Press **Mode/Exit** button
- Press **Select** button until F3 appears
- Press **Enter**
- Select "00"
- Press **Enter**

31 Start Test Run for Cooling

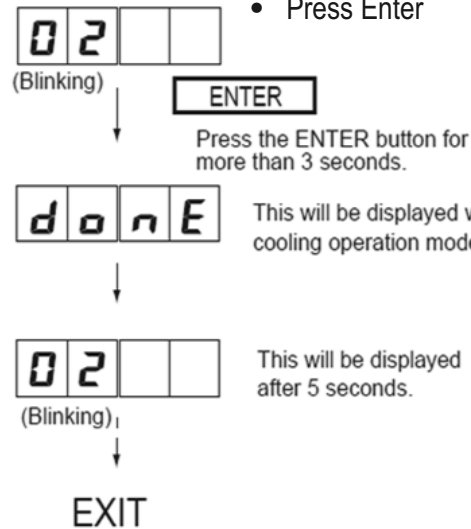


When setting for test run are complete it will display "done" on the LED and test run will commence.

32 Stop Test Run

To stop Test Run:

- Press Select until "02" is displayed
- Press Enter



Refer to the installation manual for heating test run mode and the different operating conditions.

After test run is complete, turn off the power. Then replace the cover of the electrical component box and the front panel of the outdoor unit.

33 Homeowner Information

Things to review with the home owner – from the Operation Manual.

- Wireless remote controls will need 2 AA batteries seasonally depending on use.
- Filters will need to be cleaned in all indoor units on a monthly basis.
- Regular seasonal maintenance is required including washing of outdoor coils.

- ECONOMY OPERATION
- MINIMUM HEAT OPERATION
- CLEANING AND CARE
- DEFROST OPERATION

Run the units in normal modes and confirm operation.

Operating Modes

AUTO	64-88°F
Heating	60-88°F
Cooling/Dry	64-88°F



Simultaneous Use of Multiple Indoor Units:

1. This system has a 100% capacity of 48,000 BTUs.
2. You may connect up to 62,000 BTUs of indoor units however, the system will only provide a total of 48,000 BTUs of capacity.
3. If the indoor load on all connected units exceeds 48,000 Btu's, the cooling / heating capacity will be reduced to each indoor unit.
4. Once individual units begin to reach desired set-point they will give up capacity to other indoor units allowing the system to catch-up.
5. When using connectable capacity of indoor units above the systems rated 100% capacity, some units may take longer to heat or cool the rooms they provide comfort for.

Outdoor Unit Operating Range:
 Cooling 25 to 115°F (-5 to 46°C)
 Heating 5 to 75°F (-15 to 24°C)

Warning

Always use a licensed installer or contractor to install this product. Do not try to install the product yourself. Improper installation can result in water or refrigerant leakage, electrical shock, fire or explosion. Use only parts and accessories supplied or specified by Fujitsu. Ask a licensed contractor to install parts and accessories. Use of unauthorized or improper installation of parts and accessories can result in injury or property damage. Read the owner's operation manual carefully before using this product. The owners operation manual provides important safety instructions and warnings which should be followed closely. For any questions or concerns, please contact Fujitsu General America, Inc.

Trademarks

The Fujitsu logo is a registered trademark of Fujitsu Limited.
The Halcyon logo and name is a trademark of Fujitsu General America, Inc.
Copyright © 2013 Fujitsu General America, Inc.

Fujitsu's products are subject to continuous improvements. Fujitsu reserves the right to modify product design, specifications and information in this brochure without notice and without incurring any obligations.

Complete System Warranty

All 2013 Halcyon HFI Systems have a warranty of:

5 Year Parts, 7 Year Compressor Warranty.

Note: Condensing units come pre-charged from factory.

Additional refrigerant may be required, be sure to check installation manual for more details.

- Cooling capacity is based on the following conditions:
 - Indoor temperature: 80°F DB/67°F WB (26.7°C DB/19.4°C WB)
 - Outdoor temperature: 95°F DB/75°F WB (35°C DB/23.9°C WB)
- Heating capacity is based on the following conditions:
 - Indoor temperature: 70°F DB (21.1°C DB)
 - Outdoor temperature: 47°F DB/43°F WB (8.3°C DB/6.1°C WB)



Non-Internet Retail Policy

Internet sales are strictly prohibited and unauthorized. Any HVAC systems purchased on the Internet, from an online retailer or any similar e-tailing website, OR where the original factory serial numbers of the display have been removed, defaced, or replaced in any way **WILL NOT BE COVERED BY WARRANTY.**

FUJITSU

Fujitsu General America, Inc.

353 Route 46 West
Fairfield, NJ 07004

Toll Free: (888) 888-3424

Local: (973) 575-0380

Fax: (973) 836-0447

Email: hvac@fujitsugeneral.com

www.fujitsugeneral.com

A subsidiary of
Fujitsu General Limited