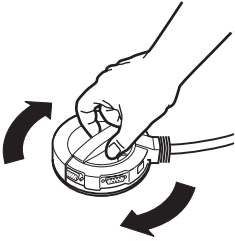


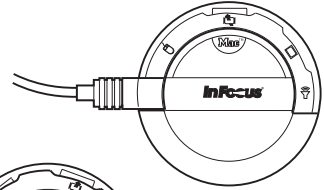
QUICK START

LitePro 720/730

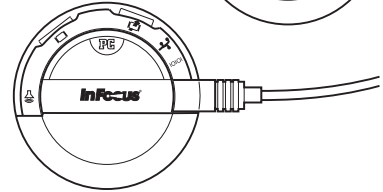
- 1** Rotate the CableWizard selector to expose the correct connectors for your computer.



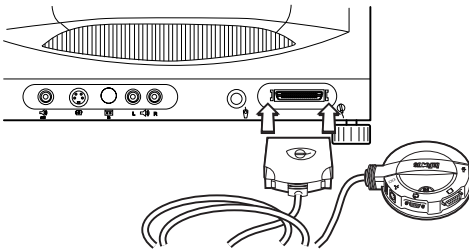
Macintosh® or PowerBook™?



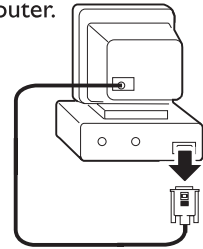
IBM®-compatible PC?



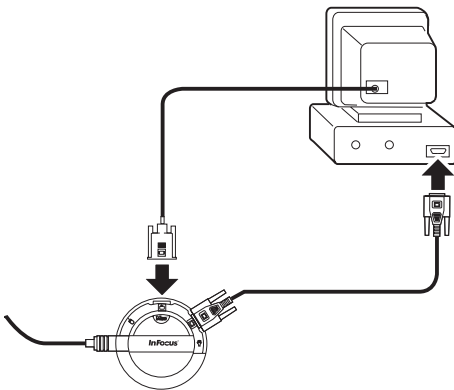
- 2** Plug the CableWizard into the projector.



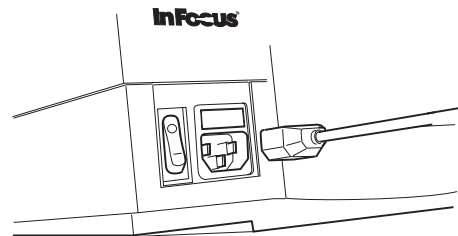
- 3** Unplug the cable that connects your monitor to your computer.



- 4** Attach the CableWizard to your computer.



- 5** Plug the power cord into the projector and into an electrical outlet.



- 6** Turn on the projector. Turn on your monitor. Turn on your computer. Refer to the *LitePro 720/730 User's Guide* for more information.



QUICK START

LitePro 720/730

SAFETY SUMMARY : Please read these instructions before using your LitePro. Failure to comply could result in fire, electrical shock, personal injury or equipment damage.

Definition of Safety Icons on Product Labels



Refer to the User's Guide for more information.



Avoid hot surfaces.

Don't Look Into The Lens!

Be extremely careful not to look directly into the lens when the projector is on. The bright light can harm your eyes. Be especially careful to keep children from looking into the lens.

Don't Disassemble

Do not open the projector's case! Doing so exposes you to an electric shock hazard. Except for the projection lamp, there are no user-serviceable parts. All service must be performed by an In Focus Authorized Service Provider.

Avoid Hot Surfaces

The inside of the projector lamp housing can be very hot. Allow the projector to cool for at least 2 minutes before opening the lamp door to replace the lamp. Use extreme care. Avoid touching the hot surfaces inside.

Use Only The 720/730 Power Cord

Always use the power cord that came with the projector. Although other cords might look the same, they have not been safety-tested with the 720 or 730. Never use the power cord if it's damaged or frayed. When you disconnect the projector, always remove the power cord from the electrical outlet first, then from the projector.

Don't Defeat The Purpose Of The Grounding Plug

The projector is grounded through the grounding conductor on the power cord. To avoid electric shock, plug the power cord into a properly wired receptacle.

Avoid Liquid Spills

Don't set drinks on top of the projector. Spilled liquids can flow inside causing damage.

Don't Block Ventilation

Openings in the case provide ventilation to protect the projector from overheating. Keep loose papers and other objects away from the grills. Don't place the projector on top of or close to a computer or other heat-producing equipment.

TABLE OF CONTENTS

Safety Summary	iii
Introduction	1
Image Resolution	1
Compatibility	2
Unpacking the Projector	2
Usage Guidelines	5
If You Need Assistance	5
Warranty	5
Setting up the Projector	7
Connecting the CableWizard™ to the Projector	8
Selecting Connectors on the CableWizard	8
Preparing to Connect Your Equipment to the Projector	10
Connecting an IBM-Compatible Laptop Computer	11
Connecting an IBM-Compatible Desktop Computer	13
Connecting an Apple PowerBook Computer	15
Connecting a Macintosh Desktop Computer	17
Connecting a Video Player	19
Connecting an External Speaker	21
Powering up the Projector and Adjusting the Image	21
Turning Off the Projector	22
Using the Projector	23
Basic Image Adjustment	23
Using the Remote Control	23
Adjusting the Projector	25
Using the Keypad Buttons	27
Using the On-Screen Menus	29
Display Menu Functions	31
Audio Menu Functions	33
Image Menu Functions	35
Controls Menu Functions	37

Maintenance & Troubleshooting	39
Cleaning the Lens	39
Cleaning the Fan Intake Filter	39
Replacing the Projection Lamp	41
Replacing the Batteries in the Remote Control	43
Using the Kensington Lock	43
Troubleshooting	44
Solutions to Common Problems	45
Appendix	49
Specifications	49
Accessories	51
Portable and Laptop Activation Chart	53
Using Video Mirroring with a PowerBook Computer	57
Projected Image Size	58
Index	61

SAFETY SUMMARY

Please read these instructions carefully before using your projector. Failure to comply with them could result in fire, electrical shock, personal injury or damage to equipment.

These graphics are used throughout this manual to draw your attention to important information about the projectors.



NOTE: Additional useful details or tips.



CAUTION: Steps to take to avoid damage to your equipment.



WARNING: Steps to take to avoid personal injury.

These graphics are used on the projector's labels.



Attention - Refer to this User's Guide for important safety information.



CAUTION- Hot Surfaces - Avoid touching hot surfaces. Do not touch until the projector has cooled.

Do Not Look Into The Lens!

Be extremely careful not to look into the projection lens when the projector is turned on. The bright light may harm your eyes. Be especially careful to keep children from looking into the lens.

Power Source

Use only a three-wire grounding type power source. The power source should not exceed 250 volts rms between the supply conductors or between either conductor and the ground.

Power Cord

Use only the power cord that was shipped with the projector. Although other power cords might be similar in appearance, they have not been safety-tested with the projector. Do not use a power cord if it has become damaged or frayed. Contact your In Focus dealer or call In Focus if you need to replace your power cord.

Grounding

The projector is grounded through the grounding conductor on the power cord. To avoid electric shock, plug the power cord into a properly wired receptacle. Do not defeat the purpose of the grounding-type plug.

Lamp

To avoid overheating and unacceptable image quality, replace the projection lamp with a lamp of the specified type. Refer to page 49 for lamp specifications and to page 41 for instructions on replacing the lamp.

Lamp Compartment

To avoid burns, do not open the lamp module door until the projector is turned off and the lamp has cooled for at least 2 minutes. Follow the instructions in this manual for lamp replacement carefully.

Hot Surfaces

Allow the projector to cool at least 2 minutes before replacing a lamp. When you open the lamp housing, be very careful not to touch the hot surfaces inside.

Ventilation and Overheating

Openings in the projector case provide ventilation to protect it from overheating. Keep loose papers and other objects well away from the grills. Do not place the projector on top of or close to a computer or other heat-producing equipment.

Liquid Spills

Do not set drinks on top of the projector. Spilled liquids can flow inside and cause damage.

Do Not Disassemble

All projector service must be performed by an authorized In Focus service center. The only user-serviceable part in the projector is the projection lamp, which you can replace by opening the lamp cover on the bottom of the projector (see page 41). Do not open any other part of the projector. If your projector needs repair, call In Focus Technical Support as described on page 5. Before you call Technical Support, you may want to refer to “Troubleshooting” on page 44 to see if you can resolve the problem yourself.



NOTE: *If you open the projector case, you will void the warranty.*

INTRODUCTION

The In Focus® LP™ 725 and 730 lightweight multimedia projectors combine powerful and sophisticated features with easy-to-use, intuitive controls. Built-in multimedia features include audio, a palette of 16.7 million colors and active matrix liquid crystal display (LCD) technology. The 700 series projectors are ideal for high-performance business, training and imaging applications that demand exceptional color quality. The 725 has SVGA 800x600 graphics, the 730 has XGA 1024x768 graphics. The user interfaces of the two products are identical; information in this User's Guide applies to both products.

Image Resolution

LP 725

The SVGA resolution of the 725's projected image is 800x600. Screen resolutions between 800x600 and 1024x768 are compressed to 800x600. The 725 cannot compress screen resolutions above 1024x768. If your computer's screen resolution is higher than 1024x768, reset it to a lower resolution before you connect the 725.

LP 730

The XGA resolution of the 730's projected image is 1024x768. Screen resolutions between 1024x768 and 1280x1024 are compressed to 1024x768. The 730 cannot compress screen resolutions above 1280x1024. If your computer's screen resolution is higher than 1280x1024, reset it to a lower resolution before you connect the 730.



NOTE: The 725 automatically expands 640x480 images to 800x600. You can display these images at 640x480 by turning off the Auto Resize feature. See "Auto Resize" on page 35 for more information.



NOTE: The 730 automatically expands 640x480 and 800x600 images to 1024x768. You can display these images at their original resolutions by turning off the Auto Resize feature. See "Auto Resize" on page 35 for more information.



.....

NOTE: Selected workstations are also supported. Contact your In Focus dealer for details.

Compatibility

The projector is compatible with a wide variety of computers and video devices, including:

- IBM-compatible computers, including laptops, up to 1024x768 resolution (LP 725) or 1280x1024 resolution (LP 730) at 75 Hz.
- Apple Macintosh and PowerBook computers up to 1024x768 resolution (LP 725) or 1280x1024 resolution (LP 730).
- Most standard VCRs, camcorders and laser disc players.

Unpacking the Projector

The projector comes with the items shown in Figure 1. Check to make sure all are included. Contact your In Focus dealer immediately if anything is missing.

If you are experienced in setting up presentation systems, use the *LP 725/730 Quick Start* card that was included in the shipping box. For complete details on connecting and operating the projector, refer to this User's Guide. User's Guides are also available for download from our website at www.infocus.com.



.....

NOTE: The contents of your shipping box may vary depending on the configuration you've ordered.

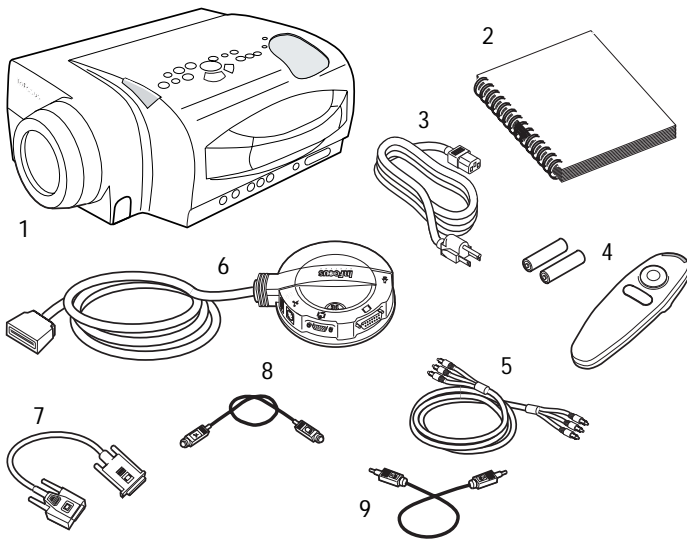


FIGURE 1

Shipping box contents

- | | |
|--------------------------------|-------------------------------|
| 1. LP 725 or 730 projector | 6. CableWizard |
| 2. LP 725/730 User's Guide | 7. CableWizard computer cable |
| 3. power cord | 8. CableWizard mouse cable |
| 4. remote and batteries | 9. CableWizard audio cable |
| 5. RCA audio/video (A/V) cable | |

Not shown: Quick Start card, online user guide CD-ROM, lens cap

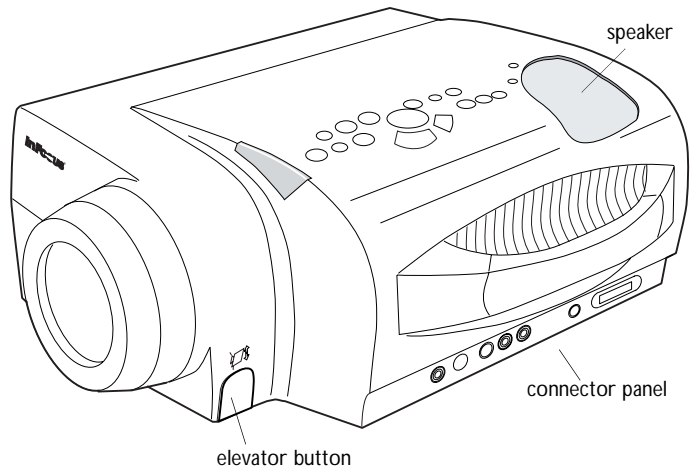


FIGURE 2

Side view of projector

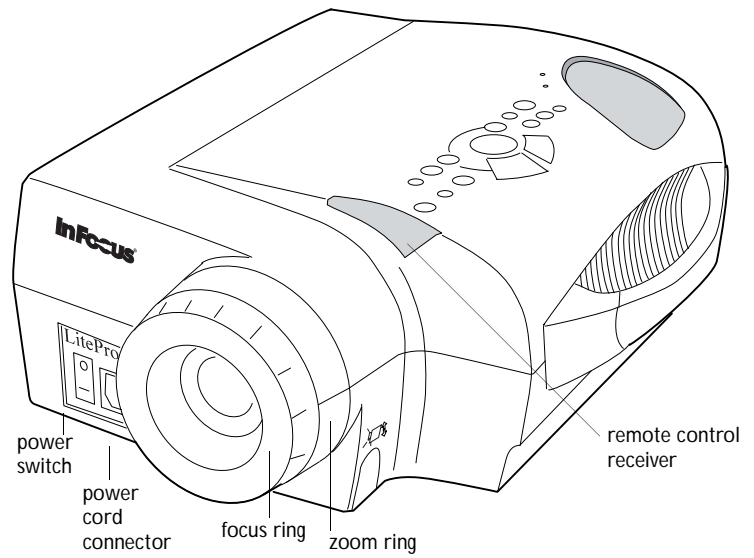


FIGURE 3

Front view of projector

Usage Guidelines

- Do not look directly into the projection lens when the projector is turned on. The bright light may harm your eyes.
- Do not block the grills on the projector. Restricting the air flow can cause it to overheat and turn off.
- Handle the projector as you would any product with glass components. Be especially careful not to drop it.
- Avoid leaving the projector in direct sunlight or extreme cold for extended periods of time. If this happens, allow it to reach room temperature before use.
- This projector is not intended for use in a mainframe computer room as defined in the Standard for the Protection of Electronic Computer/Data Processing Equipment, ANSI/NFPA 75.
- Transport the projector in a vendor-approved hard or soft case. Part numbers for these cases are listed on page 52. Call your In Focus dealer to order.

If You Need Assistance

The first place to look for help is in this manual. Be sure to check the guidelines in “Troubleshooting” on page 44.

If this manual doesn’t answer your question, call your In Focus dealer. You can also call In Focus Customer Service directly at 1-800-799-9911. Customer Service is free between 5 a.m. and 5 p.m. PST, Monday through Friday. Service is available in North America after hours and on weekends for a fee.

In Europe, call In Focus in The Netherlands at (31) 23-5540310. In Singapore, call (65) 740-6435. Or, send us an e-mail at techsupport@infocus.com

Our World Wide Web address is <http://www.infocus.com>.

Warranty

This product is backed by a limited one-year warranty. The details of the warranty are printed at the back of this manual. Longer term warranties can be purchased from your In Focus dealer. Refer to page 52 for part numbers.



.....
NOTE: *If the projector overheats and turns off, you must wait about 30 seconds before you attempt to turn it back on.*

SETTING UP THE PROJECTOR

- 1 Place the projector on a flat surface.
 - The projector must be within 10 feet (3 m) of your power source and within 10 feet of your computer.
 - If you want to project from behind a translucent screen, set up the projector behind your screen. See “Rear Projection” on page 38 to reverse the image.
 - If you are installing the projector on the ceiling, refer to the *LP 700 Series Ceiling Mount Installation Guide* that comes with the Ceiling Mount Kit for more information. To turn the image upside down, see “Ceiling” on page 38. The Ceiling Mount Kit is sold separately; see page 52.
- 2 Position the projector the desired distance from the screen.
 - The distance from the lens of the projector to the screen determines the size of the projected image. Figure 4 shows three projected image sizes using the lens at minimum focusing distance. For more information about image size, see “Projected Image Size” on page 58.
- 3 Make sure the projector and your computer are turned off.



NOTE: An optional extension cable, sold separately, lets you increase the distance between the projector and your computer to 70 feet (21 m). See “Optional Accessories” on page 52.

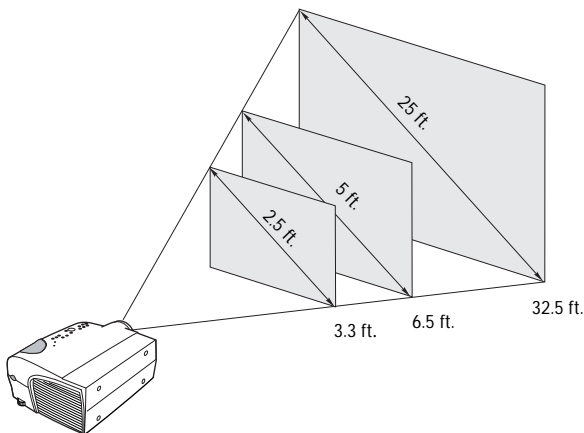


FIGURE 4

Projected image size (minimum focusing distance)



CAUTION: Turn off the computer, monitor and projector whenever you connect or disconnect cables.





NOTE: The projectors are optimized for use with CableWizard II. If you have CableWizards from other models of In Focus projectors, we do not recommend using them. Image quality is reduced by using a CableWizard other than Cable Wizard II. The label on the bottom reads CableWizard or CableWizard II.



NOTE: You must disconnect all cables before turning the selector on the CableWizard.

Connecting the CableWizard™ to the Projector

The CableWizard simplifies the connection process by providing a central hub for all the connections between the projector and your computer. The connectors on the CableWizard are labeled with icons.

Connect the  end of the CableWizard cable to the  connector on the projector's connector panel (Figure 5).

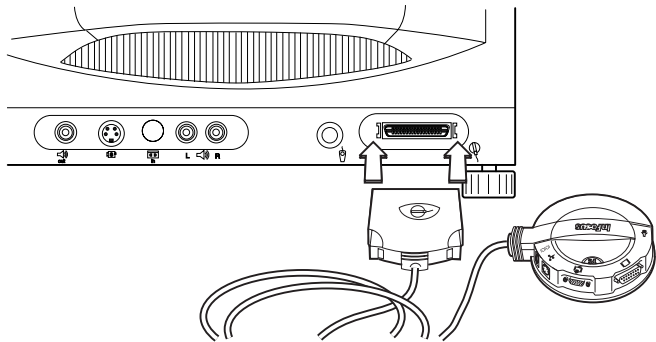


FIGURE 5
Connecting the CableWizard to the projector

Selecting Connectors on the CableWizard

Turn the selector on the top of the CableWizard to reveal the correct connectors for your computer.

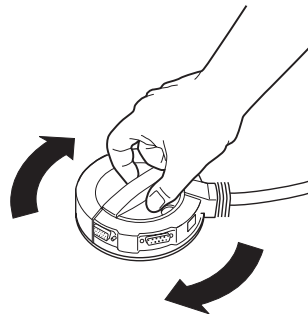


FIGURE 6
Selecting connectors on the CableWizard

- If you're connecting an IBM-compatible desktop or laptop computer, turn the selector until the window displays "PC."

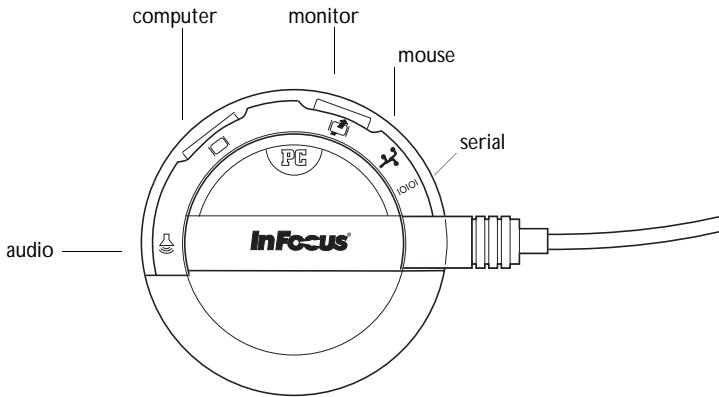


FIGURE 7

Selecting the IBM-compatible connectors on the CableWizard

- If you're connecting a Macintosh desktop or an Apple PowerBook computer, turn the selector until the window displays "Mac™."

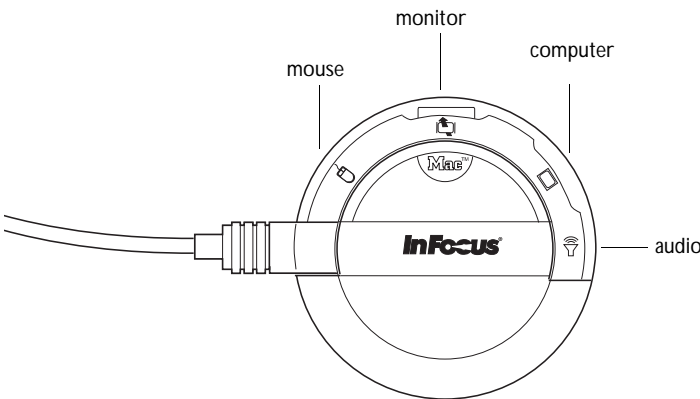


FIGURE 8

Selecting the Macintosh connectors on the CableWizard



NOTE: The serial connector is provided for use with a command center for a fixed installation.



NOTE: Before you continue, make sure the projector and your equipment are turned off. If you're connecting a computer, make sure the distance between it and the projector is 10 feet or less and you've selected the appropriate connectors on the CableWizard.



NOTE: In some older computers, the monitor connector does not have a hole for Pin 9. If you have trouble connecting the CableWizard computer cable to your computer, contact In Focus Technical Support.

Preparing to Connect Your Equipment to the Projector

Now you're ready to connect your equipment. Computers are connected to the CableWizard. Video players and other equipment, such as external speakers, are connected directly to the projector.

Steps for connecting the different types of equipment are given on the pages listed below.

Equipment you want to connect	Page
IBM-compatible laptop computer	page 11
IBM-compatible desktop computer	page 13
Apple PowerBook	page 15
Macintosh desktop computer	page 17
Video player	page 19
External speaker	page 21

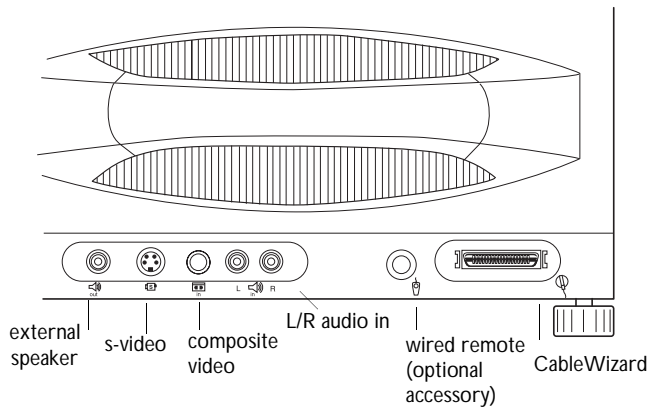





FIGURE 9
Connector panel

Connecting an IBM-Compatible Laptop Computer

- 1 Plug the  end of the CableWizard computer cable into the video connector on your computer.
- 2 Plug the  end of the CableWizard computer cable into the  connector on the CableWizard.

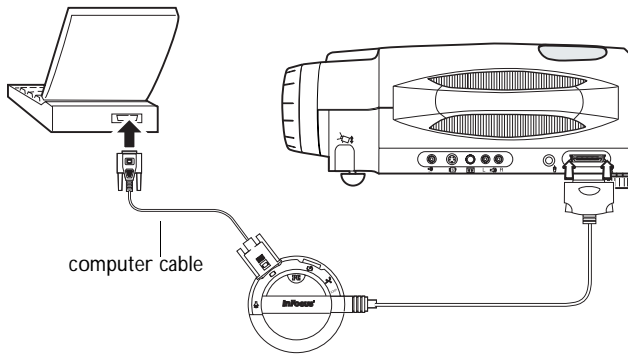



FIGURE 10

Connecting the CableWizard computer cable to an IBM-compatible laptop computer

Do you want to play your computer's audio on the projector?

- 1 Plug either end of the CableWizard audio cable into the audio connector on your computer.
- 2 Plug the other end of the audio cable into the  connector on the CableWizard.



NOTE: Many laptop computers do not automatically turn on their external video port when a secondary display device such as a projector is connected. Refer to your computer manual for the command that activates the external video port. Activation commands for some laptop computers are listed in the Appendix of this manual on page 53.






NOTE: If you don't want audio or mouse control, you can use the CableWizard Lite with your IBM-compatible computer. CableWizard Lite is ordered separately. See "Optional Accessories" on page 52.



NOTE: Most laptop computers do not allow you to use the computer's pointing device and the projector's remote at the same time.

Do you want to control the computer's mouse from the projector's remote or keypad?

- 1 Locate the mouse cable and unplug it from your computer.
- 2 Plug the  end of the CableWizard mouse cable into the mouse connector on your computer.
- 3 Plug the  end of the CableWizard mouse cable into the  connector on the CableWizard.

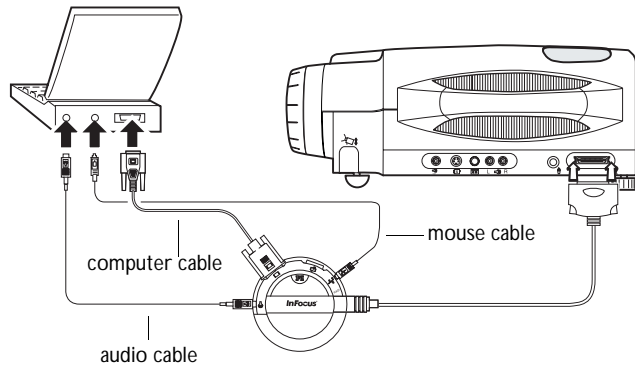





FIGURE 11

Connecting the CableWizard audio and mouse cables to an IBM-compatible laptop computer

Now you're ready to power up the projector and your laptop. Skip to "Powering up the Projector and Adjusting the Image" on page 21.

Connecting an IBM-Compatible Desktop Computer

- 1 Locate the cable that connects your monitor to your computer. Unplug it from the computer.
- 2 Plug the  end of the CableWizard computer cable into the monitor connector on your computer.
- 3 Plug the  end of the computer cable into the  connector on the CableWizard.

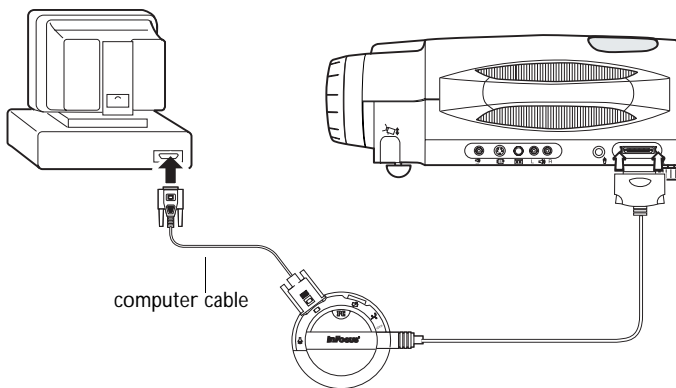




FIGURE 12

Connecting the CableWizard computer cable to an IBM-compatible desktop computer

Do you want to display the image on your computer's monitor as well as on the projection screen?

- 1 Plug your monitor's cable into the  connector on the CableWizard.




Do you want to play your computer's audio on the projector?

- 1 Unplug the audio cable, if present, from your computer.
- 2 Plug either end of the CableWizard audio cable into the audio connector on your computer.
- 3 Plug the other end of the audio cable into the  connector on the CableWizard.



NOTE: You cannot use your computer's mouse and the projector's remote at the same time.

Do you want to control your computer's mouse from the projector's remote or keypad?

- 1 Unplug the mouse cable from your computer.
- 2 Plug the  end of the CableWizard mouse cable into the mouse connector on your computer.
- 3 Plug the  end of the CableWizard mouse cable into the  connector on the CableWizard.

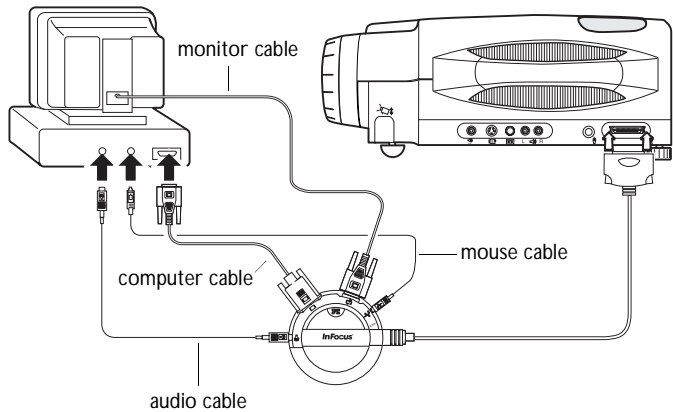





FIGURE 13

Connecting the CableWizard monitor, audio and mouse cables to an IBM-compatible desktop computer

Now you're ready to power up the projector and your computer. Skip to "Powering up the Projector and Adjusting the Image" on page 21.

Connecting an Apple PowerBook Computer

- 1 Plug the  end of the CableWizard computer cable into the video connector on your PowerBook.
- 2 Plug the  end of the CableWizard computer cable into the  connector on the CableWizard.
- 3 If you want the projector display to be the same as the PowerBook's screen display, turn on video mirroring. (See "Using Video Mirroring with a PowerBook Computer" on page 57 for additional information.)



NOTE: Some PowerBooks require the Apple-supplied video-out cable for external video. Connect it between the PowerBook and the CableWizard computer cable as shown in Figure 14.

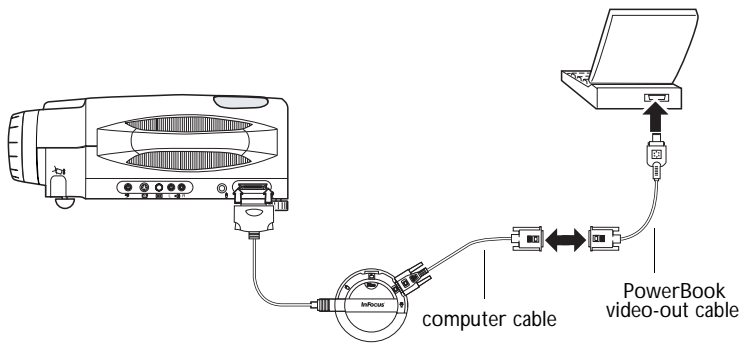



FIGURE 14

Connecting the CableWizard computer cable to an Apple PowerBook





Do you want to play your computer's audio on the projector?

- 1 Plug either end of the CableWizard audio cable into the audio connector on your PowerBook.
- 2 Plug the other end of the audio cable into the  connector on the CableWizard.



NOTE: Most laptop computers do not allow you to use the computer's pointing device and the projector's remote at the same time.

Do you want to control the computer's mouse from the projector's remote or keypad?

- 1 Locate the mouse cable and unplug it from your PowerBook.
- 2 Plug the  end of the CableWizard mouse cable into the  (ADB) connector on your PowerBook.
- 3 Plug the  end of the CableWizard mouse cable into the  connector on the CableWizard.

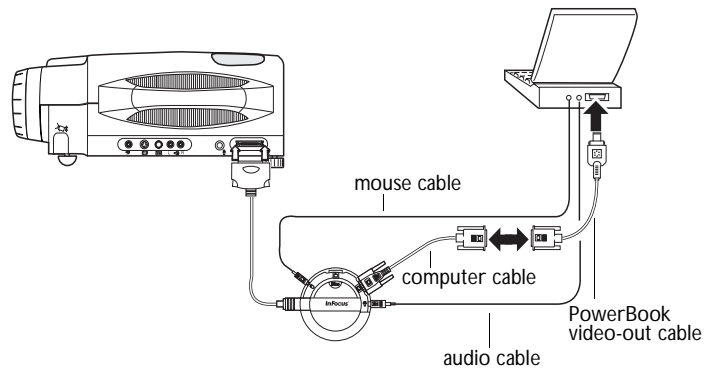





FIGURE 15

Connecting the CableWizard audio and mouse cables to a PowerBook

Now you're ready to power up the projector and your PowerBook. Skip to "Powering up the Projector and Adjusting the Image" on page 21.

Connecting a Macintosh Desktop Computer

- 1 Locate the cable that connects the monitor to your computer. Unplug it from the computer.
- 2 Plug the  end of the CableWizard computer cable into the monitor connector on your computer.
- 3 Plug the  end of the CableWizard computer cable into the  connector on the CableWizard.

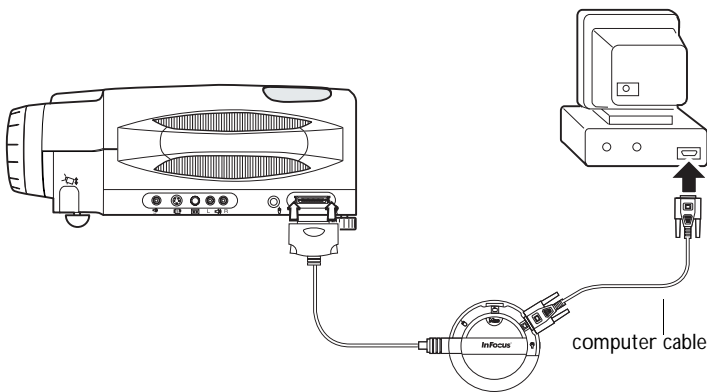




FIGURE 16

Connecting the CableWizard computer cable to a Macintosh desktop computer

Do you want to display the image on your computer's monitor as well as on the projection screen?

- 1 Plug the monitor's cable into the  connector on the CableWizard.





Do you want to play your computer's audio on the projector?

- 1 Unplug the audio cable, if present, from your computer.
- 2 Plug either end of the CableWizard audio cable into the audio connector on your Macintosh.
- 3 Plug the other end of the audio cable into the  connector on the CableWizard.



NOTE: You cannot use your computer's mouse and the projector's remote at the same time.

Do you want to control the computer's mouse from the projector's remote or keypad?

- 1 Unplug the mouse from your Macintosh or locate an unused ADB connector.
- 2 Plug the  end of the CableWizard mouse cable into the mouse connector or the  (ADB) connector on your Macintosh.
- 3 Plug the  end of the CableWizard mouse cable into the  connector on the CableWizard.

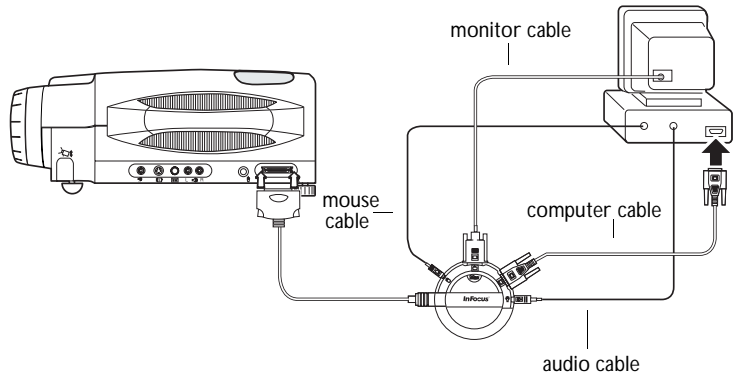


FIGURE 17

Connecting the CableWizard monitor, audio and mouse cables to a Macintosh desktop computer

.Now you're ready to power up the projector and the Macintosh. Skip to "Powering up the Projector and Adjusting the Image" on page 21.

Connecting a Video Player

- 1 If your video player uses a round, one-prong composite video connector, you'll need only the A/V cable that shipped with the projector.
 - If your video player uses a round, four-prong S-video connector, you'll need an S-video cable in addition to the A/V cable. The S-video cable is sold separately. (See "Optional Accessories" on page 52.)
- 2 Plug the A/V cable's yellow connector into the "video-out" port on your video player (Figure 18). This port may be labeled "To Monitor."
 - If you're using an S-video cable, connect it to the "s-video out" connector on the video player (Figure 19).
- 3 Plug the other yellow connector into the composite connector on the projector.
 - If you're using S-video, plug the other end of the cable into the "s-video" connector on the projector (Figure 19).

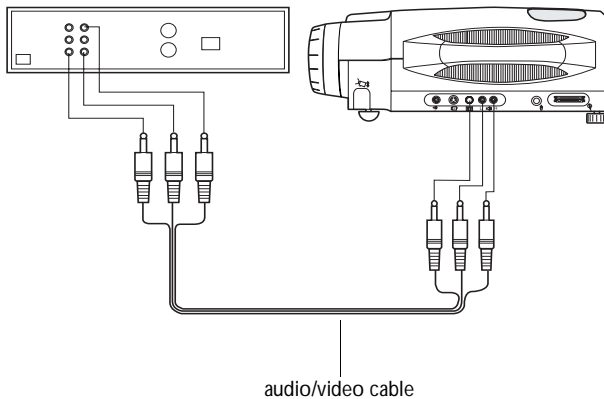


FIGURE 18

Connecting the projector to a video player using the standard A/V cable (with composite video connector)

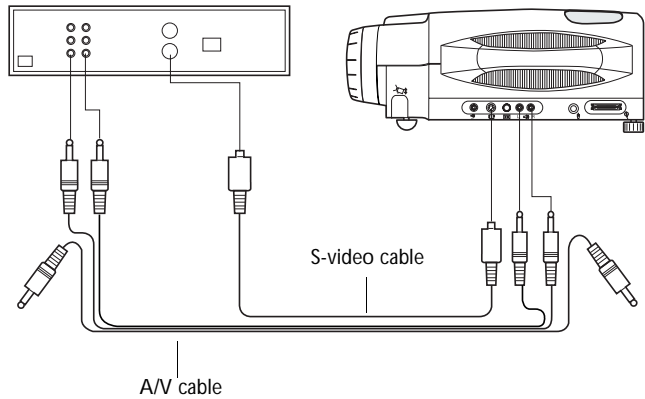


FIGURE 19

Connecting the projector to a video player using an S-video cable and the audio connectors on the standard A/V cable

4 Plug the A/V cable’s white connector into the left “audio out” port on your video player. Plug the cable’s red connector into the right “audio out” port on the video player (Figure 18 and Figure 19).

- If you’re using an S-video cable, the yellow connectors on the A/V cable remain unused (Figure 19).


5 Plug the A/V cable’s other white and red connectors to the left and right “audio in” ports on the projector.

The projector is compatible with these major broadcast video standards: NTSC, NTSC 4.43, PAL, PAL-M, PAL-N, and SECAM. It automatically adjusts to optimize its performance for the incoming video. The input signals for SECAM, PAL-M, and PAL-N video cannot be automatically detected, therefore they must be chosen manually; see “Video Standard” on page 37.



CAUTION: Your video player may also have a “Video Out” port for a coaxial cable connection. *DO NOT* use this to connect to the projector.

Connecting an External Speaker

To connect one or two external speakers, plug the speaker cable into the  (audio out) connector on the projector.

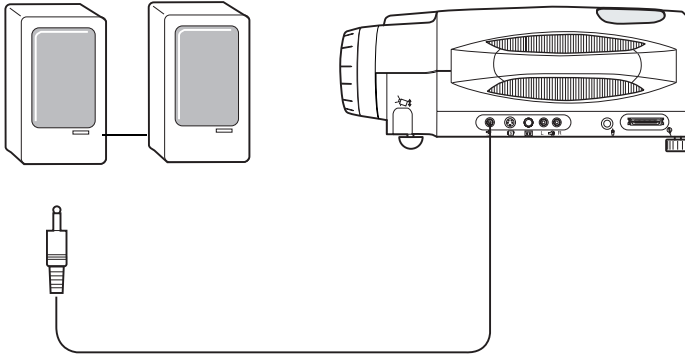


FIGURE 20

Connecting an external speaker

Powering up the Projector and Adjusting the Image

- 1 Remove the lens cap.
- 2 Plug the power cord into the front of the projector, then plug it into your electrical outlet. A surge-protected power strip is recommended if power surges are common in your area.
- 3 Turn on the projector by pressing the “I” side of the power switch on the front of the projector.
 - The In Focus startup screen displays and the Power LED lights (Figure 25 on page 27).
- 4 If you connected a video player, turn it on.
 - Press the video button on the keypad to display the image from your video player. (You can select a default source to determine which source the projector examines first during power-up for active video; see “Default Source” on page 38.)
 - Use the volume buttons to adjust the volume.



NOTE: The external speakers must be amplified.



NOTE: Always use the power cord that shipped with the projector.



CAUTION: If the lamp LED remains solidly lit after the projector has powered on, the lamp needs to be replaced. Refer to “Replacing the Projection Lamp” on page 41 for more information.

- If you don't want to hear the sound from your video player, press the mute button.

5 If you connected any external speakers, turn them on.

6 If you connected your monitor, turn it on.

7 Turn on your computer.

- The computer image should display on the projection screen. (If a video source is active, press the computer button to display your computer's image.)
- If necessary, use the **brightness** buttons on the keypad to adjust the brightness. You can make further adjustments to the image from the projector's on-screen menus. To open the menus, press the menu button on the keypad. Then select the Display menu or the Image menu. For more information about the menus, see page 29.
- If you don't want to hear the sound from your computer or video player, press the mute button.



NOTE: With some computers, the order in which you power up the equipment is very important. Most computers should be turned on last, after all other peripherals have been turned on. Refer to your computer's documentation to determine the correct order.



CAUTION: When you disconnect the projector after you have switched it off, always remove the power cord from the electrical outlet first, then remove it from the projector.

Turning Off the Projector

If you want to turn off the projector for a short period of time, press the **standby** button on the keypad. This blanks the screen for 15 minutes, but keeps the projector running. After 15 minutes, the lamp goes out (the projector keeps running). To exit standby mode, press the **standby** button again. (It takes several seconds for the projection lamp to reach full power and project the image again.)

To completely power off the projector, press the "O" side of the power switch on the front of the projector. If you want to turn the projector back on immediately, you must allow about 30 seconds for the lamp to cool. The lamp won't light if it's too hot.

USING THE PROJECTOR

This section describes how to use and make adjustments to the projector. It also provides a reference to the keypad buttons and the options available from the on-screen menus.

Basic Image Adjustment

- 1 Make sure you have powered up your equipment in the right order (page 21).
- 2 If the image doesn't display completely, adjust the height and tilt of the projector (page 25), zoom the image (page 25), or center the image by adjusting its horizontal or vertical position (page 36).
- 3 If the image is out of focus, rotate the lens to focus it (page 25).
- 4 If the image appears to shimmer or if it has blurry vertical bars after you have adjusted the focus, turn Auto Image (page 35) off and then back on to reset the automatic sync and tracking. If that doesn't clear up the image, adjust the sync (page 36) and/or the tracking (page 36) manually.
- 5 If the colors don't look right, adjust the brightness (page 27) and tint (page 31).

Using the Remote Control

Point the remote control at the projection screen or at the front or rear of the projector. The range for optimum operation is about 40 feet. If you point the remote at the projection screen, the distance to the screen and back to the projector must be less than or equal to 40 feet. For best results, point the remote directly at the front or the rear of the projector.

The projector ships with a two-button remote. (A full-feature Smart Remote with all the same buttons as the keypad is available separately; see "Optional Accessories" on page 52.) The remote has a disk mouse and two mouse buttons, one on the top of the remote and one on the bottom.



NOTE: In Focus has created a software program called In Focus Presents that automatically optimizes your computer's display when used with any In Focus projector. This free program is included with every projector and available for download from our website at www.infocus.com.



NOTE: If you can't aim the remote control at the projector so that its signal is received — for example, when using rear projection — purchase the optional Smart Remote and connect it directly to the projector with the optional remote control cable. See "Optional Accessories" on page 52.

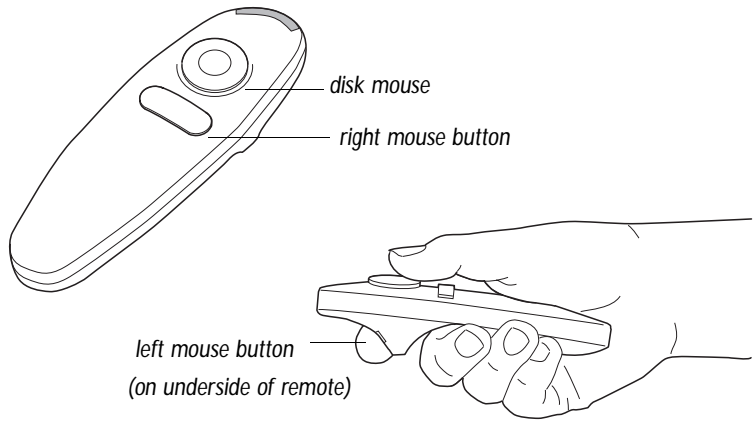


FIGURE 21

Remote control

Press anywhere on the edge of the disk mouse to move the cursor on the screen. You can move the cursor at any angle by pressing the corresponding edge of the disk. The mouse button on the top of the remote simulates your computer's right mouse button; the button on the bottom simulates your computer's left mouse button.



.....
NOTE: To control the computer's mouse from the projector's remote or keypad, you must connect the mouse cable to the CableWizard.

See page 10 for details.

If you are creating presentations in Microsoft® PowerPoint®, you can use the remote's mouse buttons to navigate through your presentation while in Slide Show mode. To configure PowerPoint for this, choose Options from the Tools menu, click the View Tab, de-select the "Popup Menu on Right Mouse Click" option in the Slide Show section, then click OK. Then, when you're in PowerPoint's Slide Show mode, a left click advances to the next slide and a right click returns to the previous slide (other PowerPoint modes are not affected).

Adjusting the Projector

To focus the image, rotate the focus ring (Figure 22) until the image is clear. To zoom the image, rotate the zoom ring. This adjusts the image size without affecting focus.

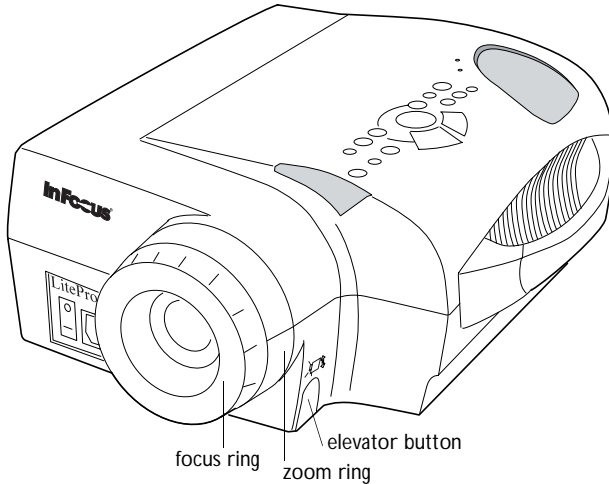


FIGURE 22

Focus ring, zoom ring, and elevator button

The projector is equipped with a self-locking, quick-release elevator foot and button (Figure 24) and a leveling knob (Figure 23).

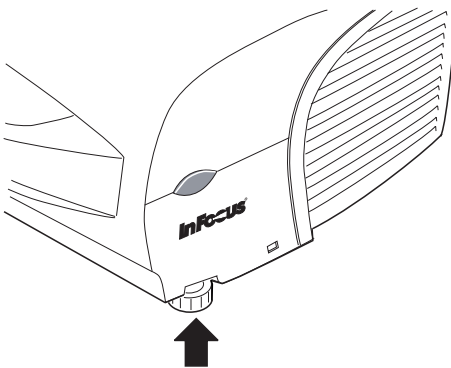


FIGURE 23

Leveling knob

To raise the projector:

- 1 Press and hold the elevator button (Figure 22).
- 2 Raise the projector to the height you want, then release the button to lock the elevator foot into position.
- 3 If necessary, use the leveling knob (Figure 23) to adjust the angle of the projected image.

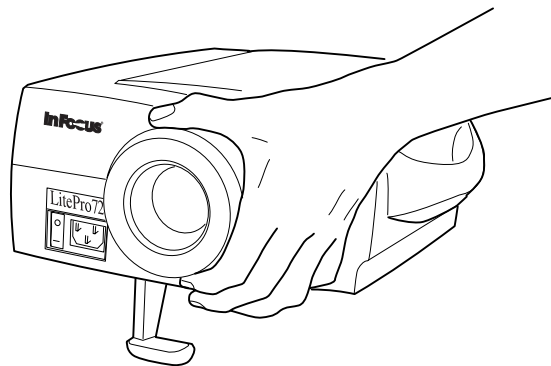


FIGURE 24

Adjusting the height of the projector

To lower the projector:

- 1 Press the elevator button.
- 2 Lower the projector.
- 3 If necessary, use the leveling knob (Figure 23) to readjust the angle of the projected image.

Using the Keypad Buttons

This section provides an alphabetical reference to the keypad buttons.

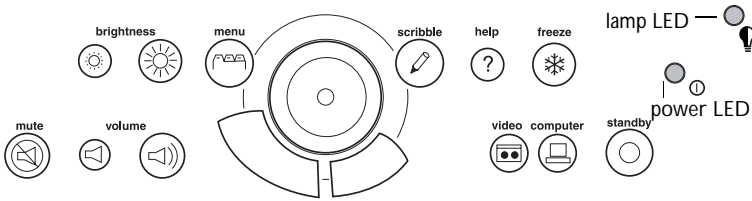




FIGURE 25

Keypad

Brightness

Adjusting the brightness lightens or darkens the image.

- To darken the image, press 
- To lighten the image, press 

Computer

When you have more than one source (computer or LiteShow Pro and video) connected to the projector, select between them by pressing the button for the source you want.

Press **computer** to display your computer image or LiteShow Pro presentation.

Freeze

The **freeze** button halts, or “freezes” the projected image. Use this button to freeze a frame of video (the video continues to run but the projected image is frozen). You can also freeze an image from a computer source on the screen, allowing you to perform other operations on the computer without the audience seeing them. Press **freeze** again when you want the image to return to normal.

Help

Press **help** to display the on-screen help information.



NOTE: LiteShow Pro is an optional presentation player. Contact your In Focus dealer for more information.

Menu 

Press **menu** to open the on-screen menus. Press **menu** again to close the menus. When you close the menus, the projector saves any changes you made. For more information about the on-screen menus, see page 29.

Mute 

Pressing the mute button silences the internal speaker. It also silences any external speakers that are connected.

To return the volume to its previous setting, press mute again or press either volume button.

Scribble 

The scribble button activates on-screen annotation.

- 1 Press the scribble button. The cursor changes to a pencil.
- 2 Press the right disk mouse button (Figure 26 on page 30) to display the color selector. Use the disk mouse to position the cursor on the desired color, then press the left mouse button. Press the right button again to close the color selector.
- 3 Use the disk mouse to move the pencil to where you want to start the annotation.
- 4 Press the left mouse button. The cursor changes to an upright pencil.
- 5 Use the disk mouse to draw your annotation. Press the left mouse button to complete the annotation.
- 6 To exit Scribble, press the scribble button. The annotation is automatically deleted (it cannot be saved).

Standby

When you press **standby**, the display and audio turn off and a blank screen is displayed for 15 minutes. After 15 minutes, the lamp goes out if you haven't pressed **standby** again. You can change the amount of time the projector stays in standby mode; see "Standby Time" on page 37 for details.



- If you press **standby** again within 15 minutes, the projector returns to normal operations immediately.
- If you press **standby** again after 15 minutes, there is about a 30 second delay before the lamp turns back on.

Video

When you have more than one source (computer or LiteShow Pro and video) connected to the projector, select between them by pressing the button for the source you want.

Press **video** to display the image from your video player.

Volume

- To increase the volume, press 
- To decrease the volume, press 

Volume adjustments are saved for each source you have connected.

Using the On-Screen Menus

The projector has four on-screen menus that allow you to make image adjustments and change a variety of settings. Most of these adjustments aren't available directly from the keypad.

To open the on-screen menus, press the **menu** button on the keypad. Press **menu** again when you want to close the menus and save any changes.

To select a menu, use the disk mouse on the keypad or remote to move the cursor to the tab for the menu you want, then click either mouse button.

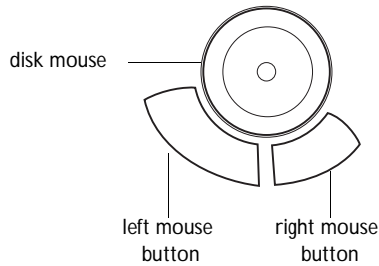


FIGURE 26

Disk mouse and mouse buttons on keypad

To change a menu setting, move the cursor to the setting you want to change, then use one of the two mouse buttons to make changes. All changes are saved when you close the menus.

The status bar at the top of the menu display indicates the source that is currently active (Computer or Video) and any peripherals that are connected.

The status bar also contains a lamp hour counter that starts at zero hours and counts each hour the lamp is in use. When the counter reaches 2000 hours, the lamp monitor light turns on, when it reaches 2050 hours, the lamp switches off completely. See “Replacing the Projection Lamp” on page 41 for details.

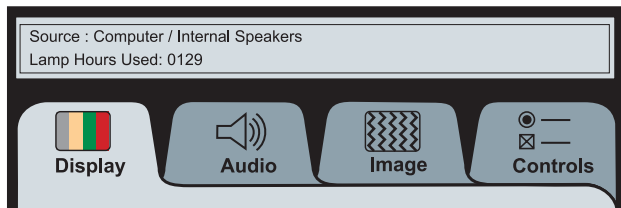


FIGURE 27

On-screen menu status bar

Display Menu Functions

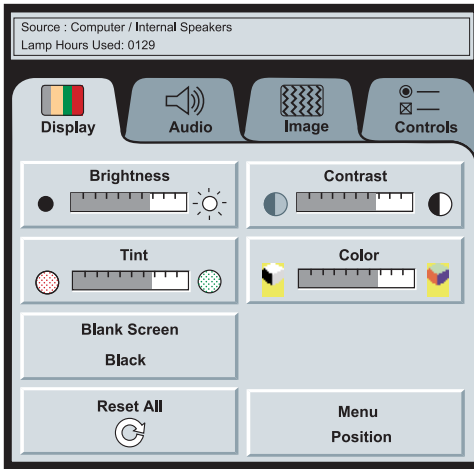


FIGURE 28

Display menu

Brightness

Adjusting the brightness changes the intensity of the image.

- Press the left mouse button to darken the image.
- Press the right mouse button to lighten the image.

Contrast

The contrast controls the degree of difference between the lightest and darkest parts of the picture. Adjusting the contrast changes the amount of black and white in the image.

- Press the left mouse button to decrease the contrast.
- Press the right mouse button to increase the contrast, making the blacks appear blacker and the whites appear whiter.

Tint

The tint adjusts the red-green color balance in the projected image. Changing the Tint setting has no effect on PAL or SECAM video sources.

- Press the left mouse button to increase the amount of green in the image.
- Press the right mouse button to increase the amount of red in the image.



***NOTE:** Changing the brightness using the menu is the same as changing it using the keypad.*

Color

The color setting adjusts a video image from black and white to fully saturated color.

- Press the left mouse button to decrease the amount of color in the image.
- Press the right mouse button to increase the amount of color in the image.

Blank Screen

Blank Screen determines what color is displayed when there is no active source and when the projector is in standby. Click the button to toggle between the two options.

Reset All

Click either mouse button to reset all the options (except Language, Video Standard, Ceiling, and Rear Projection) in all the menus to their original settings. This also returns Freeze and Mute to their default (off) settings.

Menu Position

This lets you move the menu to various locations on the screen, allowing you to view different parts of the image while making adjustments. The default position is the center of the screen. Click Menu Position to move the menu to the upper-left corner; click it again to move it to upper-right, then lower right, then lower left, then center again.

Audio Menu Functions

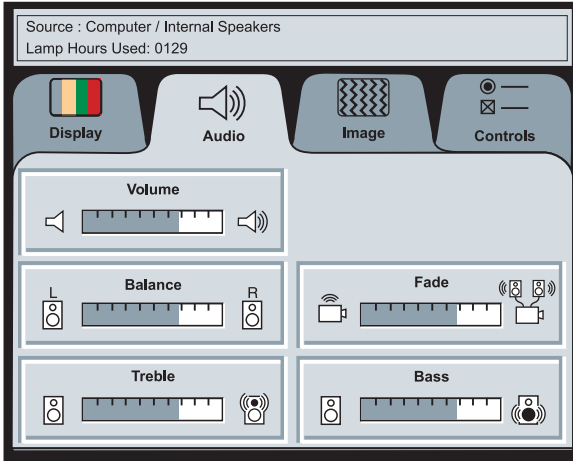


FIGURE 29

Audio menu

Volume

- Press the left mouse button to decrease the volume.
- Press the right mouse button to increase the volume.

Volume adjustments you make are saved for each source.

Balance

The balance setting controls the balance between the left and right external speakers. It appears gray and won't highlight if you haven't connected external speakers. Balance applies to all sources you have connected.

- Press the left mouse button to increase the amount of sound coming from the left external speaker.
- Press the right mouse button to increase the amount of sound coming from the right external speaker.



.....
NOTE: Changing the volume from the menu is the same as changing it using the keypad.

Fade

The fade setting controls the balance between the internal and external speakers. The setting appears gray and won't highlight if external speakers aren't connected.

- Press the left mouse button to increase the amount of sound coming from the internal speaker.
- Press the right mouse button to increase the amount of sound coming from the external speakers.

Treble

The treble setting controls the higher frequencies of your audio source.

- Press the left mouse button to decrease the treble.
- Press the right mouse button to increase the treble.

Bass

The bass setting controls the lower frequencies of your audio source.

- Press the left mouse button to decrease the bass.
- Press the right mouse button to increase the bass.



NOTE: The **Treble** and **Bass** settings apply only to the projector's internal speaker. External speakers typically have their own tone controls.

Image Menu Functions

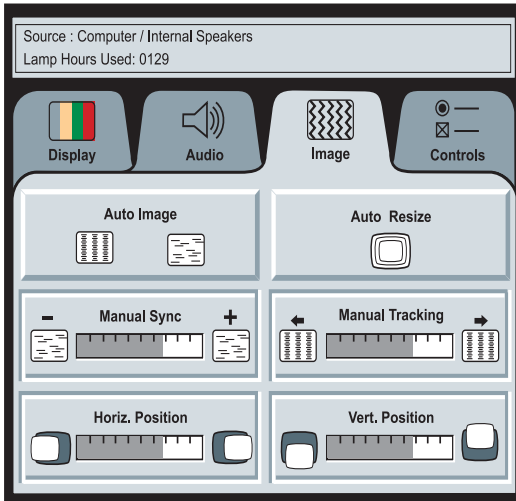


FIGURE 30

Image menu

Auto Image

The projector automatically adjusts tracking, signal synchronization and vertical and horizontal position for most computers. If you want to adjust these features manually, you must turn off **Auto Image** first by clicking it.

Auto Resize

Auto Resize automatically resizes the image by scaling it up or down.

When **Auto Resize** is on, the projector makes the best fit of the image to the screen. If you turn **Auto Resize** off (by clicking it), the image may be either cropped or too small for the screen.



.....
NOTE: Some screen savers interfere with the operation of **Auto Image**. If you're experiencing problems, try turning your screen saver off, then turning **Auto Image** off and back on.



NOTE: *The Manual Sync, Manual Tracking, Horiz. Position and Vert. Position buttons are available only for computer sources. The projector sets these options automatically for a video source.*

Manual Sync

The projector adjusts signal synchronization automatically for most computers. But if the projected computer image looks fuzzy or streaked, try turning **Auto Image** off then back on again. If the image still looks bad, try adjusting the signal synchronization manually as described below.

- 1 Click the **Auto Image** button to turn Auto Image off.
- 2 Press the left or right mouse buttons repeatedly until the image is sharp and free of streaks.

Manual Tracking

The tracking function adjusts the projector to match the video signal from your computer. The projector usually adjusts the tracking automatically when you connect your computer. However, if the display shows evenly spaced, fuzzy, vertical lines or if the projected image is too wide or too narrow for the screen, try turning **Auto Image** off then back on again. If the image is still bad, try adjusting the tracking manually as described below.

- 1 Click the **Auto Image** button to turn Auto Image off.
- 2 Press the left or right mouse buttons repeatedly until the fuzzy vertical bars are gone.

Horiz. Position

Follow these steps to manually adjust the horizontal position.

- 1 Click the **Auto Image** button to turn Auto Image off.
- 2 Press the left mouse button to move the image right; press the right mouse button to move the image left.

Positioning adjustments are saved when you power off the projector.

Vert. Position

Follow these steps to manually adjust the vertical position.

- 1 Click the **Auto Image** button to turn Auto Image off.
- 2 Press the left mouse button to move the image down; press the right mouse button to move the image up.

Positioning adjustments are saved when you power off the projector.

Controls Menu Functions

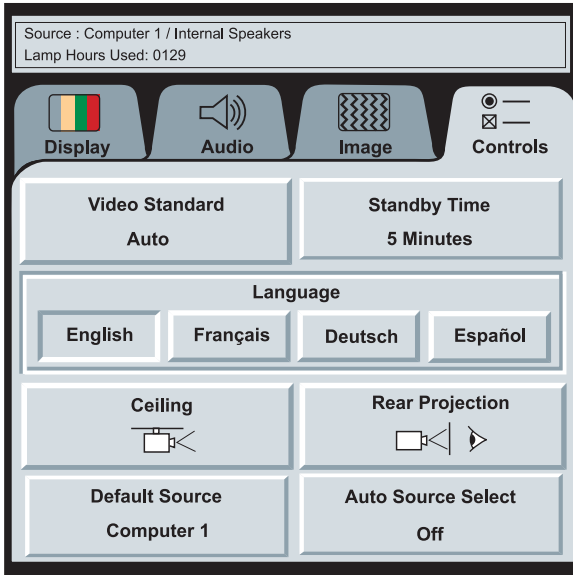


FIGURE 31

Controls menu

Video Standard

When **Auto** is on, the projector attempts to pick the video standard (NTSC, NTSC 4.43, PAL, PAL-M, PAL-N, or SECAM) automatically based on the input signal it receives. (The video standard options may vary depending on your region of the world.) The input signals for SECAM, PAL-M, and PAL-N video cannot be automatically detected, therefore they must be chosen manually. If the projector is unable to detect the standard, the colors might not look right or the image might appear “torn.” If this happens, manually select a standard by clicking the button and cycling through the standards.

Standby Time

This option lets you select how long the lamp stays on and the blank screen is displayed when you enter standby mode before the projector turns off. Select among 1, 5, 10, and 15 minutes by clicking the button and cycling through the options.



NOTE: *If you already know the video standard used in your geographical area, it's often best to manually select it.*



NOTE: To order the LP 700 Series Ceiling Mount, refer to "Optional Accessories" on page 52.

Language

You can display the on-screen menus in English, French, German, and Spanish. The default is English.

- Click the button for the language you want. The menus redraw immediately.

Ceiling

- Click either mouse button to turn the image upside down for ceiling-mounted projection.

Rear Projection

When you select **Rear Projection**, the projector reverses the image so you can project from behind a translucent screen.

Default Source

Default Source toggles between Computer and Video. This determines which source the projector checks first for active video during power-up. Click the button to toggle between the options.

Auto Source Select

This setting toggles between On and Off. When this feature is Off, the projector defaults to the source selected in Default Source. To display another source, you must manually select one by pressing the **computer** or **video** button on the keypad. When this feature is On, the projector automatically finds the active source, checking the default source first. Click the button to toggle between the options.

MAINTENANCE & TROUBLESHOOTING

This section describes how to:

- clean the lens
- clean the fan intake filter
- replace the projection lamp
- replace the batteries in the remote control
- use the Kensington lock feature
- troubleshoot the projector

Cleaning the Lens

Follow these steps to clean the projection lens:

- 1 Apply a non-abrasive camera lens cleaner to a soft, dry cloth.
 - Avoid using an excessive amount of cleaner.
 - Abrasive cleaners, solvents or other harsh chemicals might scratch the lens.
- 2 Lightly wipe the cleaning cloth over the lens.
- 3 If you don't intend to use the projector immediately, replace the lens cap.

Cleaning the Fan Intake Filter

The fan intake filter on the bottom of the projector catches dust and particles in the air. If the filter becomes clogged, the projector does not cool properly and may malfunction. To prevent this, clean the filter after every 100 hours of use.

- 1 Turn off the power and unplug the power cord.
- 2 Remove the filter door.
 - Carefully place a screwdriver against the indented part of the filter door and lift out.

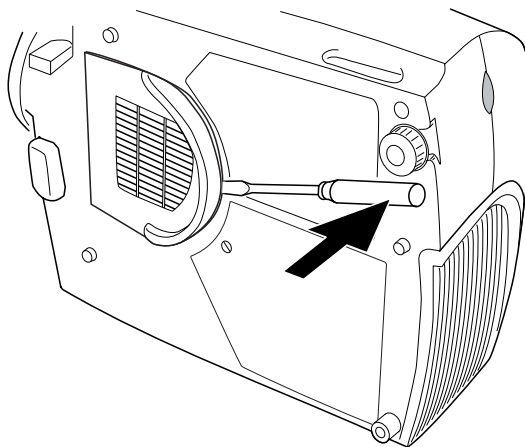


FIGURE 32

Removing the filter door

3 Clean the filter.

- Use a vacuum cleaner set on low power to remove the dust and dirt.

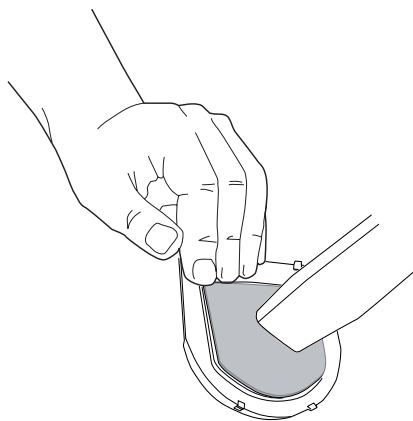



FIGURE 33

Cleaning the air filter

4 Replace the filter.

- First, insert the side with the tabs, then press the other end in place.

Replacing the Projection Lamp

The lamp hour counter on the status bar at the top of the menus counts the number of hours the lamp has been in use. After 2000 hours of use, the lamp monitor LED, marked  on the top of the projector near the keypad, lights. After 2050 hours, the lamp switches off completely and must be replaced. You can order new lamp modules from your In Focus dealer. See “Accessories” on page 51 for information.

Follow these steps to replace the projection lamp:

- 1 Turn off the projector and unplug the power cord.
- 2 Wait 2 minutes to allow it to cool thoroughly.
- 3 Using a small, flat-blade screwdriver, remove the screw on the outside of the lamp door (Figure 34).
- 4 Pull the lamp cover up and remove it.

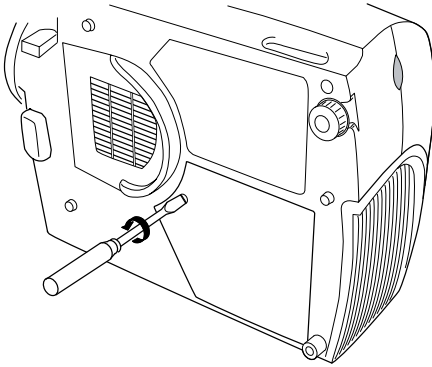


FIGURE 34

Removing the lamp module door

- 5 Loosen the two non-removable screws on the outside of the module.
- 6 Remove the module (Figure 35).



WARNING: To avoid burns, allow the projector to cool for at least 2 minutes before you open the lamp module door. Never extract the lamp module while the lamp is operating.



CAUTION: Never operate the projector with the lamp cover open or removed. This disrupts the air flow and causes the projector to overheat.

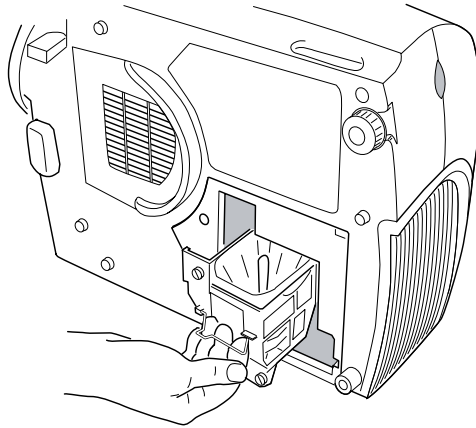


FIGURE 35
Removing the lamp module



.....
WARNING: Do not drop the lamp module or touch the glass bulb! The glass may shatter and cause injury.

- 7** Align the new lamp module in the correct direction.
- 8** Gently push the module in as far as it goes (Figure 36).
- 9** Tighten the screws on the outside of the module.

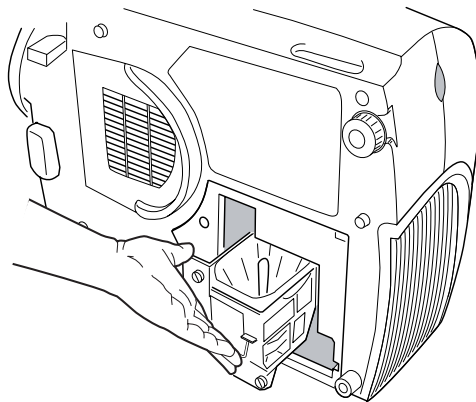


FIGURE 36
Installing a new lamp module

- 10** Reposition the lamp cover.

11 Replace the screw and tighten it.

12 Plug in the power cord and turn the projector back on. The lamp monitor light and lamp hour counter in the Status bar on the menus are automatically reset.

Replacing the Batteries in the Remote Control

The life of the batteries depends on how often and how long you use the remote. Symptoms of low battery charge include erratic responses when using the remote and a reduced range of operation.

Follow these steps to replace the batteries:

- 1 Turn the remote face down in your hand.
- 2 Slide the battery cover off the end of the remote by pressing on it with the heel of your hand.
- 3 Remove the old batteries.
- 4 Install two new AAA alkaline batteries. Make sure you install each in the correct direction.
- 5 Slide the battery cover back on the remote.

Using the Kensington Lock

The projector has a Kensington Security Standard connector for use with a Kensington MicroSaver Security System (Figure 37). Refer to the information that came with the Kensington System for instructions on how to use it to secure the projector.

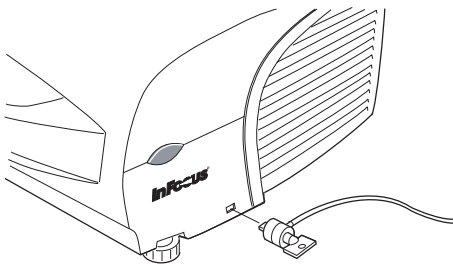


FIGURE 37

Installing the Kensington lock

Troubleshooting

If you're experiencing trouble with the projector, follow these steps to make sure everything is properly connected before you call Technical Support for assistance.

- 1 Check cable connections. Verify that all computer, CableWizard and power cables are properly connected.
- 2 Verify that all power is switched on.
- 3 Verify that the projector has not been switched off with the standby button on the keypad.
- 4 If the projector still doesn't display an image, restart the computer.
- 5 If the problem still exists, unplug the projector from the computer and check the computer monitor's display. The maximum resolution that the 725 can display is 1024x768 pixels, preferably 800x600; the maximum resolution that the 730 can display is 1280x1024 pixels, preferably 1024x768. The problem might be with the graphics controller in your computer rather than with the projector. When you reconnect the projector, remember to turn the computer and monitor off before you power up the projector. Power the equipment back up in this order: projector, monitor, computer.
- 6 If you're using a laptop computer and it is not displaying your presentation, make sure you have activated the computer's external video output. Most laptop computers do not automatically turn on their external video port when a secondary display device such as a projector is connected. Refer to page 53 for more information.
- 7 If the problem still exists, read through the problems and solutions in this chapter.



NOTE: *Macintosh computers require a specific power-up sequence: the projector must be turned on before you turn on the computer.*

Solutions to Common Problems

Problem: Nothing on projection screen

- Make sure that the power cord is properly connected to a functional AC electrical outlet. Make sure that the power cord is also properly connected to the projector.
- If the projector is plugged into a power strip, make sure the power strip is turned on.
- Make sure you have removed the lens cap from the projection lens at the front of the projector.
- Make sure the projector is switched on.
- Check the projector's lamp to ensure that it is securely connected in the lamp module. See "Replacing the Projection Lamp" on page 41.
- Make sure that the CableWizard and the cables do not have any bent pins. Check the power cord for bent pins also.

Problem: Color or text not being projected

- You might need to adjust the brightness up or down until the text is visible. Refer to "Brightness" on page 27 for more information.
- Verify that the appropriate input source is selected. See "Computer" on page 27 or "Video" on page 29.

Problem: The screen resolution is not right

- Make sure the computer's graphics card is set for a resolution of no greater than 1024x768 for the 725, 1280x1024 for the 730.

Problem: Image isn't centered on the screen

- Reposition the image. Refer to "Horiz. Position" on page 36 and "Vert. Position" on page 36.
- If you're using an extension cable between the CableWizard and the projector, make sure it's In Focus-approved.

Problem: Only the start-up screen displays

- Verify that the cables are connected correctly. Check to see that the CableWizard computer cable is correctly connected to the monitor connector on the computer (this is the connector where your monitor cable usually goes.) See page 8 through page 17 for connection procedures.

- Verify that the proper input source is connected. See “Computer” on page 27 or “Video” on page 29.
- You might need to turn everything off and power up the equipment again. Make sure you power up in this order: projector, computer monitor, computer. It is especially important that you follow this sequence for Macintosh computers.
- Make sure your computer’s graphics board is installed and configured correctly.

If you’re using Windows 3.x:

- 1 In the Windows Program Manager, double-click the Windows Setup icon in the Main program group.
- 2 Verify that the Display setting is 1024x768 or less for the 725, 1280x1024 or less for the 730.

If you’re using Windows 95:

- 1 Open “My Computer” icon, the Control Panel folder and then the Display icon.
- 2 Click the Settings tab.
- 3 Verify that the Desktop area is set to 1024x768 or less for the 725, 1280x1024 or less for the 730.

Also check the following:

- Does your computer have a compatible graphics board? The projector isn’t CGA or EGA compatible.
- Is your computer’s graphics board turned on? This is especially true for laptop computers. See “Portable and Laptop Activation Chart” on page 53.

Problem: Image is too wide or narrow for screen

- You might need to manually adjust the tracking to reduce or enlarge the projected image. Refer to “Manual Tracking” on page 36.
- Adjust the resolution of your monitor if it’s greater than 1024x768 pixels for the 725 or 1280x1024 for the 730. Only these resolutions at 75 Hz or less will display on the projector.

Problem: Image is out of focus

- Turn the projection lens to focus the image.
- Make sure the projection screen is at least 4 feet (1.2m) from the projector.
- Make sure the projector is turned off, then check the projection lens to see if it needs cleaning.

Problem: Image and menus are reversed left to right

- Rear projection mode is probably turned on. Switch back to forward projection from the Controls menu. The image should immediately return to forward projection. See “Rear Projection” on page 38.

Problem: Image and menus are upside down

- Ceiling mode is probably turned on. Turn off the mode from the Controls menu. The image should immediately return to forward projection. See “Ceiling” on page 38.

Problem: the projector displays vertical lines, “bleeding” or spots

- Adjust the brightness. See “Brightness” on page 27.
- Make sure the projector is turned off, then check the projection lens to see if it needs cleaning.

Problem: no sound

- Press the mute button.
- Adjust volume.
- Verify audio/input connections.
- Adjust audio source.

Problem: Image is “noisy” or streaked

Try these steps in this order.

- 1 Deactivate the screen saver on your computer.
- 2 Turn Auto Image off and then back on again. See “Auto Image” on page 35.
- 3 Adjust the synchronization and tracking manually to find an optimal setting. See “Manual Sync” on page 36 and “Manual

Tracking” on page 36.

- If you’re using an extension cable between the CableWizard and the projector, make sure it’s In Focus-approved.
- The problem could be with your computer’s graphics board. If possible, connect a different computer.

Problem: Projected colors don’t match the computer or video player’s colors

- Adjust the brightness, tint and/or contrast from the Display menu. Just as there are differences in the displays of different monitors, there are often differences between the computer image and the projected image. See “Brightness” on page 27, “Tint” on page 31 and “Contrast” on page 31.

Problem: Lamp seems to be getting dimmer

- The lamp begins to lose brightness when it has been in use for a long time. Replace the lamp as described in “Replacing the Projection Lamp” on page 41.

Problem: Lamp shuts off

- A minor power surge may cause the lamp to shut off. Turn the projector off, wait at least 30 seconds, then turn it back on.

Problem: Remote not operating correctly

- You might need to replace the batteries. See “Replacing the Batteries in the Remote Control” on page 43.
- Make sure you’re pointing the remote either at the back or front of the projector, or at the projection screen.
- Make sure the remote is within its operating range of 40 feet.

Before calling your dealer or In Focus Technical Support for assistance, please have the following information available::

- the projector’s serial number (located on the bottom label)
- the resolution of your computer.

Call In Focus Technical Support at 1-800-799-9911. Support is free between 5 a.m. and 5 p.m. PST, Monday through Friday. Support is available in North America after hours and on weekends for a fee.

APPENDIX

Specifications

The LP 725 and 730 must be operated and stored within the temperature and humidity ranges specified.

Temperature

Operating	10 C to 40° C
Non-operating	-20 to 70° C

Humidity

Operating and non-oper.	5% to 95% relative humidity, non-condensing
-------------------------	---

Dimensions

6.0 x 15.3 x 11.7 inches (15.3 x 38.8 x 29.8 cm)

Weight

12.2 lbs. (5.5 kg) unpacked

Altitude

Operating	0 to 10,000 feet (3048 meters)
Non-operating	0 to 40,000 feet (12,192 meters)

Audio Output

Frequency Response	10 Hz - 20 KHz
Output Impedance	1.2 K ohm nominal
Output Voltage	2 Vrms maximum (open circuit)
Connector Type	red and white RCA jacks

Optics

Focus Range	3.25 - 32.5 feet (1-10 m)
-------------	---------------------------

Lamp

Type	150-watt UHP
------	--------------

Remote Control

Battery	Two (2) AAA alkaline cells
---------	----------------------------

Input Power Requirements

100-120/220-240V, 5.0/3.0A, 50/60 Hz.

Video Audio Input

Input Impedance	5K ohm DC coupled
Maximum Input Voltage	$(L_{IN} + R_{IN})_{PEAK} < 4.5 \text{ V}$ for THD $\leq 0.3\%$ L_{IN} or $R_{IN} < 2.0 \text{ Vrms}$ for THD $\leq 0.3\%$
Sensitivity	100 mV at 1 KHz for 88 dB SPL at 1 meter
Connector Type	RCA jack

CableWizard Audio Input

Input Impedance	10K ohm nominal, AC coupled
Maximum Input Voltage	$(L_{IN} + R_{IN})_{PEAK} < 4.5 \text{ V}$ for THD $\leq 0.3\%$ L_{IN} or $R_{IN} < 2.0 \text{ Vrms}$ for THD $\leq 0.3\%$
Sensitivity	100 mV at 1 KHz for 88 dB SPL at 1 meter
Connector Type	3.5 mm (1/8 inch) stereo phone jack

Accessories

Standard Accessories (ship with the projector)

	Part Number
LP 725/730 Quick Start card	009-0342-xx
LP 725/730 User's Guide	010-0151-xx
Shipping Box	110-0159-xx
CableWizard and Cables	SP-CW2
CableWizard Audio Cable	210-0079-xx
CableWizard Computer Cable	210-0094-xx
CableWizard Mouse Cable	210-0078-xx
Projection Lamp Module	SP-LAMP-LP7E
Lens Cap	505-0241-xx
Audio/Video Cable	210-0053-xx
Remote Control and 2 Batteries	SP-EXREM
Online User's Guide CD-ROM	010-0116-xx

Power Cords (one ships with projector, type depends on country)

North American Power Cord	210-0023-xx
Australian Power Cord	210-0027-xx
UK Power Cord	210-0028-xx
European Power Cord	210-0029-xx
Danish Power Cord	210-0030-xx
Swiss Power Cord	210-0031-xx





NOTE: Use only In Focus-approved accessories. Other products have not been tested with the projector.

Optional Accessories

Easy Carry Case	CA-C129
Soft Case	CA-C122
European Hard Case	CA-C130
Hard Travel Case	CA-C123
Deluxe Travel Case	CA-C128
ATA Shipping Case	CA-C124
CableWizard Lite, 6.5 ft (2 m)	SP-CW2LITE
Mac Adapter for CableWizard Lite	516-0003-xx
CableWizard Extension Cable, non-plenum rated, 60.7 ft (18.5 m)	SP-CW2EXT
CableWizard Extension Cable, plenum-rated, 60.7 ft (18.5m)	SP-CW2EXTP
Full-Feature Smart Remote Control	HW-SMART
Remote Cable	210-0088-xx
LiteShow Pro Presentation Player	HW-LSPRO
LiteShow Pro Soft Case	CA-C131
32 MB Memory Upgrade	HW-MEM-LSP
Kensington MicroSaver Security System	SP-KENLOC
SGI/SUN Workstation Cables	SP-CABLE-WS
Rhapsody II Speakers	SP-R2SPKR
JBL Subwoofer	SP-JBLSUB
Portable Projector Stand	SP-STND
S-Video Cable	515-0027-xx
LP 700 Series Ceiling Mount-LiteMount 7	SP-CEIL-LM7
LiteMount False Ceiling Plate	SP-LTMT-PLT
LiteMount Pipe Tubing Extension	SP-LTMT-EXT
CableWizard Wall Plate	SP-CWWALL
2 nd Year Advantage Service Plan (1 year extension)	AS-LP7xx-12
3 rd Year Advantage Service Plan (2 year extension)	AS-LP7xx-24

Portable and Laptop Activation Chart

Many laptop computers do not automatically turn on their external video port when a secondary display device such as a projector is connected. Activation commands for some laptop computers are listed in the following table. (If your computer is not listed or the given command does not work, refer to the computer's documentation for the appropriate command.) On some laptops, the activation function key is labeled with an icon, for

example /  or the text CRT/LCD.

Computer	Key command to activate port	Key command to de-activate port
Acer	Ctrl-Alt-Esc (for setup)	Ctrl-Alt-Esc (for setup)
AST* **	FN-D or Ctrl-D Ctrl-FN-D FN-F5 type from A:/VGA/CRT FN-F12	FN-D or Ctrl-D Ctrl-FN-D FN-F5 type from A:/VGA/CRT FN-F12
Advanced Logic Research	Ctrl-Alt-V	Ctrl-Alt-V
Altima	Shift-Ctrl-Alt-C setup VGA/ Conf.Simulscan	Shift-Ctrl-Alt-L setup VGA/ Conf.Simulscan
Ambra**	FN-F12 FN-F5 F2/Choose Option/F5	FN-F12 FN-F5 F2/Choose Option/F5
Amrel* **	setup menu Shift-Ctrl-D	setup menu Shift-Ctrl-D
Apple	see Mac Portable and Mac PowerBook	
Aspen	automatic	automatic
BCC*	automatic	reboot computer
Bondwell	LCD or CRT options after bootup	reboot for LCD or CRT options to appear
Chaplet**	setup screen FN-F6 FN-F4	setup screen FN-F6 FN-F4
Commax	Ctrl-Alt-#6	Ctrl-Alt-#5



NOTE: Often, pressing the key commands once activates the external video port, pressing it again activates both the external and internal ports, and pressing it a third time activates the internal port. Refer to your computer's documentation for details on your specific model.

Computer	Key command to activate port	Key command to de-activate port
Compaq* **	Ctrl-Alt-< FN-F4 automatic mode/? (for setup option)	Ctrl-Alt-> FN-F4 automatic mode/? (for setup option)
Compuadd* **	automatic Alt-F for screen setup option	automatic Alt-F for screen setup option
Data General	Ctrl-Alt-Command	Ctrl-Alt-Command
Data General Walkabout	2 CRT/X at DOS prompt	reboot
Datavue	Ctrl-Shift-M	Ctrl-Shift-M
Dell**	Ctrl-Alt-< Ctrl-Alt-F10 FN-F8 (CRT/LCD) FN-D FN-F12	Ctrl-Alt-> Ctrl-Alt-F10 FN-F8 FN-D FN-F12
Digital*	automatic FN-F2	reboot FN-F2
Dolch	dip switch to CRT	dip switch to LCD
Epson	dip switch to CRT	dip switch to LCD
Everex*	setup screen option	setup screen option
For-A	Ctrl-Alt-Shift-C	Ctrl-Shift-Alt-L
Gateway	FN-F1/FN-F1 again simultaneous	FN-F1
Grid* **	FN-F2, choose auto or simultaneous Ctrl-Alt-Tab	FN-F2 Ctrl-Alt-Tab
Hyundai	setup screen option	setup screen option
IBM 970*	automatic	warm reboot

Computer	Key command to activate port	Key command to de-activate port
IBM ThinkPad**	reboot, enter setup menu FN-F7, select choice from setup menu FN-F1, select choice FN-F5, select choice PS/2 SC select choice (CRT, LCD, etc.)	FN-F2
Kaypro	boot up, monitor plugged in	unplug monitor
Kris Tech	FN-F8	FN-F8
Mac Portable 100	no video port: not compatible	
Mac PowerBook 140, 145, 150, 170	no video port: requires a 3rd-party interface	
160, 165, 180, 520, 540, 5300	Control Panel folder, PowerBook Display folder; Activate Video Mirroring	warm reboot
210, 230, 250, 270, 280, 2300	requires Apple Docking Station or Mini Dock	
Magitronic	FN-F4	FN-F4
Mastersport	FN-F2	FN-F1
Micro Express*	automatic	warm reboot
Microslate*	automatic	warm reboot
Mitsubishi	SW2 On-Off-Off-Off	SW2 Off-On-On-On
NCR	setup screen option	setup screen option
NEC* **	setup screen option CRT at the DOS prompt FN-F31	setup screen option LCD at the DOS prompt FN-F3
Olivetti*	automatic FN-O/* FN-	automatic FN-O/* FN-

Computer	Key command to activate port	Key command to de-activate port
Packard Bell**	FN-F2 Ctrl-Alt-<	FN-F2 Ctrl-Alt->
Panasonic	FN-F2	FN-F2
Samsung*	setup screen option	setup screen option
Sanyo	setup screen option	setup screen option
Sharp	dip switch to CRT	dip switch to LCD
Sun SPARC-Dataview	Ctrl-Shift-M	Ctrl-Shift-M
Tandy**	Ctrl-Alt-Insert setup screen option	Ctrl-Alt-Insert setup screen option
Texas Instruments*	setup screen option	setup screen option
Top-Link* **	setup screen option FN-F6	setup screen option FN-F6
Toshiba* **	Ctrl-Alt-End FN-End FN-F5 setup screen option	Ctrl-Alt-Home FN-Home FN-F5 setup screen option
Twinhead*	FN-F7 FN-F5 Automatic	FN-F7 FN-F5 Automatic
WinBook	Ctrl-Alt-F10	Ctrl-Alt-F10
Wyse	software driven	software driven
Zenith**	FN-F10 FN-F2 FN-F1	FN-F10 FN-F2 FN-F1

* These manufacturers have models that automatically send video to the external CRT port when some type of display device is attached.

** These manufacturers offer more than one key command depending on the computer model.

Using Video Mirroring with a PowerBook Computer

When you turn video mirroring on (called SimulScan in newer PowerBooks-see below), the projector displays the same information that appears on your PowerBook's built-in screen. When video mirroring is off, the projector acts like a separate display.

To turn on video mirroring for the first time:

- 1 Open the Monitors control panel; click on Monitor 2.
- 2 Set the number of colors you want.
- 3 Open the Control Strip; click on the monitor icon.
- 4 Select "Turn Video Mirroring On."

Now you can turn video mirroring on and off from the Control Strip without having to open the Monitors control panel again.

When using video mirroring and high color graphics such as slide shows, the projected image occasionally might turn black and white. If this happens, perform the following steps:

- 1 Turn off video mirroring.
- 2 Open the Monitors control panel.
- 3 Move the white menu bar to Monitor 2 to set the projector as the primary monitor.
- 4 Restart the PowerBook.

Using SimulScan

Some newer PowerBooks display images on an external monitor or projector differently than previous ones. When using SimulScan, the projector displays the same information that appears on your PowerBook

To select SimulScan:

- 1 Open the Control Panel, then double-click Monitors and Sound.
- 2 In the Resolution list, choose the SimulScan mode, then click OK.
- 3 If this changes your display settings, a dialog box appears. Click OK to confirm the change.

Projected Image Size

Use the chart below and the tables on the next page to help you determine projected image sizes.

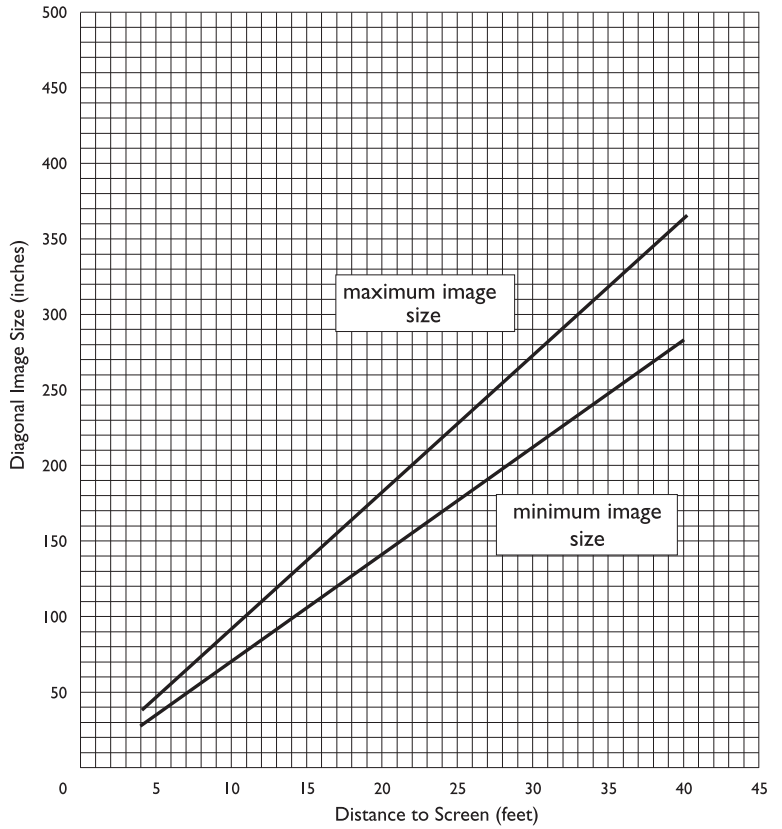


FIGURE 38

Projected image size

Table 1:
Image Size, Width and Height for Lens at Maximum Image Size

Distance to Screen (feet)	Diagonal (inches)	Width (inches)	Height (inches)
4	36	29	22
10	91	73	55
15	137	110	82
20	182	146	109
25	228	182	137
30	274	219	164
35	319	255	191
40	365	292	219

Table 2:
Image Size, Width and Height for Lens at Minimum Image Size

Distance to Screen (feet)	Maximum Diagonal (inches)	Maximum Width (inches)	Maximum Height (inches)
4	28	22	17
10	71	57	43
15	106	85	64
20	142	114	85
25	177	142	106
30	212	170	127
35	248	198	149
40	283	226	170