



# QM-710

# PARTS MANUAL

November 2013

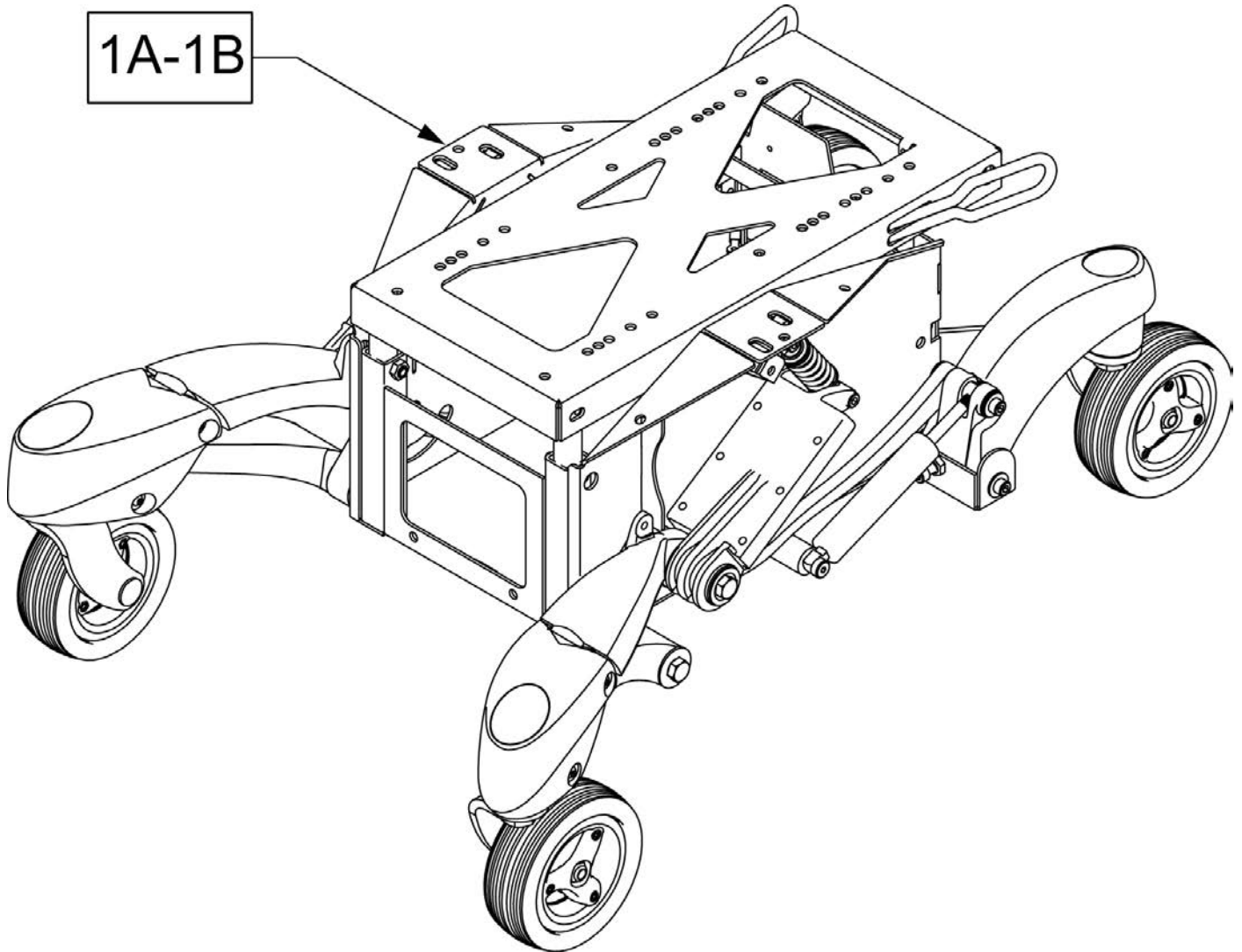


improving people's lives

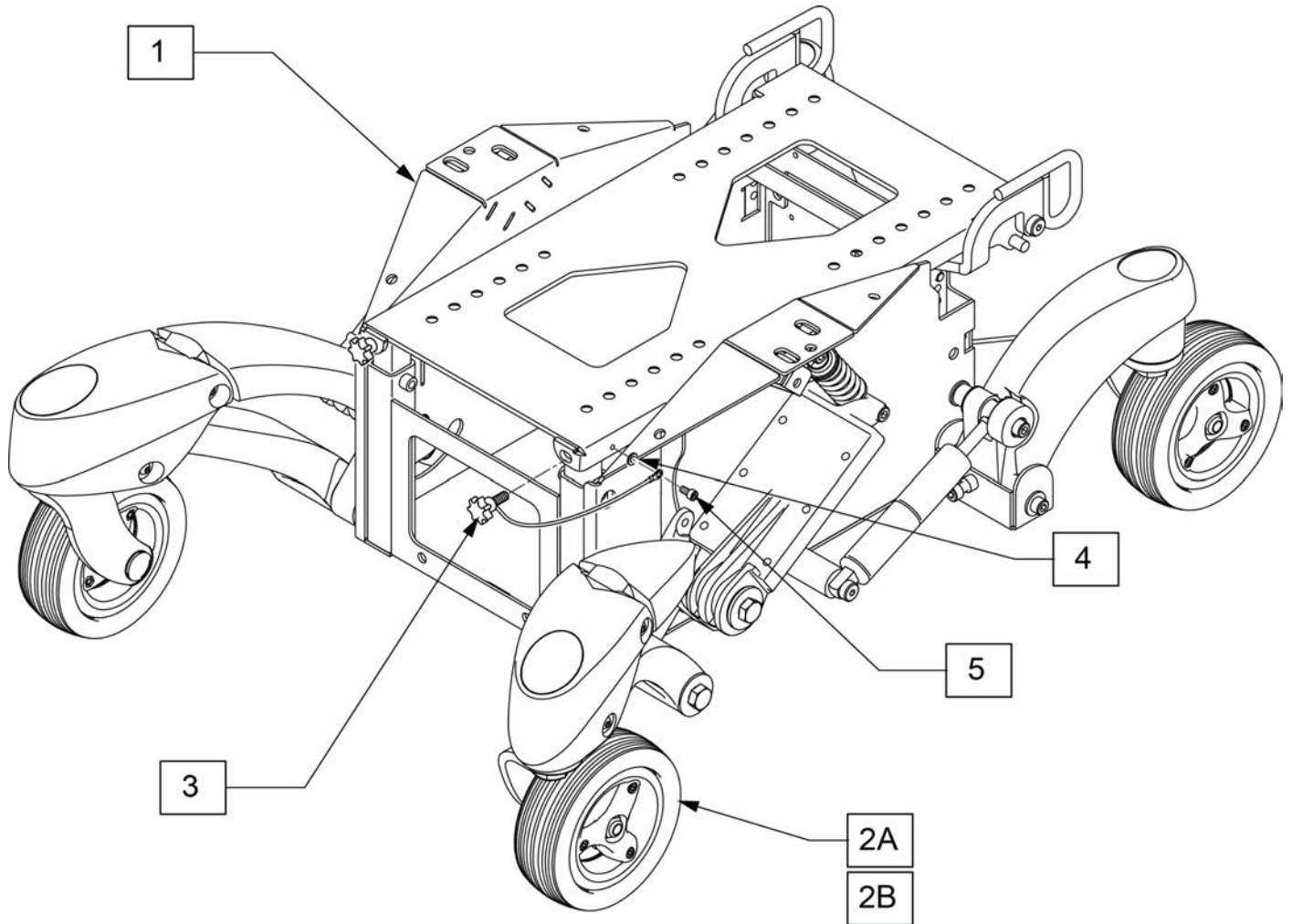
Product.....	1
QUICKIE QM-7 SERIES .....	5
BASE.....	5
FRAME.....	5
CHASIS ASSEMBLY.....	5
CHASIS ASSEMBLY QM-SERIES After S/N prefix QM710A, QM715A & QM720A .....	6
BATTERY BOX.....	7
REAR SWING ARM.....	8
FRONT SWING ARM.....	10
TRANSIT KIT.....	11
MOTOR AND MOTOR MOUNT QM-710,715 & 720.....	12
MOTOR AND MOTOR MOUNT QM-SERIES After S/N prefix QM710A, QM715A & QM720A .....	14
DRIVE WHEEL.....	16
WHEEL LOCKS.....	18
SHROUDS.....	19
SHROUDS After S/N prefix QM710A, QM715A & QM720A.....	21
FORK AND CASTER.....	23
SEATING & POSITIONING.....	23
SEAT POST & INTERFACE.....	24
SEAT POST & INTERFACE After S/N prefix QM710A, QM715A & QM720A .....	25
SEAT FRAME.....	26
2" SEAT CUSHION.....	27
ASAP II 12-16 SEAT FRAME.....	30
ASAP II 16-22 SEAT FRAME.....	31
RECLINE WITH POWER SHEER SEAT FRAME.....	32
POWERED SEATING.....	33
LIFT.....	34
TILT.....	35
HEAVY DUTY TILT.....	36
LIFT & TILT COMBO.....	37
RECLINE W/ POWER SHEER After S/N prefix QM710A, QM715A & QM720A.....	37
RECLINE WITH POWER SHEER SEAT BASE.....	38
RECLINE WITH POWER SHEER BACK ASSM.....	39
RECLINE WITH POWER SHEER BACKREST.....	41
RECLINE WITH POWER SHEER ACTUATORS.....	43
CANTILEVER ARMREST -POWER RECLINE.....	44
FIXED VENT VERTICAL.....	46
HANGER RECIEVER FOR POWER RECLINE.....	47
JAY 3 BACK FOR POWER RECLINE.....	48
POWER CENTER MOUNT ELR DUAL FOOT (REHAB SEATS).....	53
LATERALS.....	53
SWING-AWAY LATERAL.....	54
LATERALS.....	55
BACKREST & UPHOLSTERY.....	55
BACKRESTS.....	55
MANUAL RECLINE BACKREST.....	56
FOLDING BACKREST.....	58
NON FOLDING BACKREST.....	60
JAY SPO BACK.....	62
ART SPO CUSTOM CURVED BACKREST.....	65
CURVED BACKREST.....	66
RECLINE WITH POWER SHEER BACK ASSM.....	69
RECLINE WITH POWER SHEER BACKREST.....	71
RECLINE BACK CUSHION -EXTRA COMFORT.....	74
UPHOLSTERY.....	74
STANDARD BACK UPHOLSTERY.....	75
MANUAL RECLINE BACK UPHOLSTERY.....	76
TENSION ADJUSTABLE 3DX VENTED UPHOLSTERY.....	78
TENSION ADJUSTABLE BALLISTIC NYLON UPHOLSTERY.....	81
HANGERS & FOOTPLATES.....	83
FIXED CENTER MOUNT FOOTREST (ASAP SEATING).....	84
CENTER MOUNT FOOTREST (REHAB & POWER RECLINE).....	85
SWING AWAY HANGERS.....	86
65 & 70 DEG SWING AWAY HANGERS.....	87
75 DEG TAPERED SWING AWAY HANGER.....	88
ELEVATING LEGREST.....	89
HANGER RECEIVER.....	91
FOOTPLATES.....	92
COMPOSITE FOOTPLATE.....	93
ADULT ANGLE ADJUSTABLE FOOTPLATE.....	95

KIDS ANGLE ADJUSTABLE FOOTPLATE .....	97
ELR ALUMINUM FOOTPLATE .....	99
ONE PIECE ANGLE ADJ FOOTPLATE.....	100
EXTENSION TUBES.....	101
ROUND EXTENSION TUBE .....	102
EXTENSION TUBE FOR ONE PIECE ANGLE ADJ FOOTPLATE.....	103
HIGH MOUNT EXTENSION TUBE .....	104
ELR EXTENSION TUBE .....	105
90 DEG FRONT MOUNT HANGER.....	105
90 DEG SWING AWAY HANGERS .....	106
ADULT ANGLE-ADJ FOOTPLATE FRONT MOUNT.....	107
KIDS ANGLE ADJ FOOTPLATE FRONT MOUNT .....	109
POWER HANGERS.....	110
S/A POWER ELR WITH ARTICULATION.....	111
POWER CENTER MOUNT ELR(ASAP SEAT-CENTER MNT FOOTPLATE) .....	113
POWER CENTER MOUNT ELR(ASAP SEAT-ANGLE ADJ FOOTPLATES).....	115
POWER CENTER MOUNT ELR(REHAB/RECLINE SEAT-ANGLE ADJ FOOTPLATES) .....	117
POWER CENTER MOUNT ELR(REHAB/RECLINE SEAT-CENTER MNT FOOTPLATE).....	119
POWER CENTER MOUNT ELR DUAL FOOT(ASAP SEAT).....	121
POWER CENTER MOUNT ELR DUAL FOOT (REHAB SEATS).....	123
KNEE SUPPORTS.....	123
KNEE ADDUCTOR SUPPORT .....	124
KNEE ADDUCTOR SUPPORT - RECLINE .....	125
THIGH SUPPORTS.....	127
ARMRESTS & RECIEVERS .....	128
CANTILEVER ARMREST - STANDARD .....	129
CANTILEVER ARMREST - LOW.....	131
SINGLE POST ARMRESTS.....	131
SINGLE POST HEIGHT ADJUSTABLE ARMREST .....	132
SINGLE POST ARMREST RECIEVER.....	134
DUAL POST ARMREST.....	134
DUAL POST FIXED HEIGHT ARMREST .....	135
DUAL POST HEIGHT ADJUSTABLE FLIP-BACK ARMREST .....	137
DUAL POST FLIP BACK ARMREST RECEIVER.....	139
POWER RECLINE ARMREST.....	139
RECLINE WITH POWER SHEER ARMREST W/ PG.....	140
CONE HAND PAD.....	142
LATERALS.....	142
SWING-AWAY LATERAL.....	143
LATERALS .....	144
HEADRESTS .....	144
HEADREST MOUNT THUMB SCREW.....	145
HDRST RECEIVERS .....	146
LIX HEADREST .....	147
ELECTRONICS.....	147
JOYSTICKS & CONTROLLERS .....	147
RNET.....	147
R NET REMOTE JOYSTICKS .....	148
RNET CONTROLLER QM SERIES .....	150
R NET ACCESSORY ELECTRONICS.....	151
R NET/VR2 PROGRAMMER .....	152
VR2 .....	152
VR2 JOYSTICKS.....	153
VR2 CONTROLLER QM710 .....	154
VR2 CONTROLLER QM715 .....	155
VR2 CONTROLLER QM720 .....	156
ACCESSORY ELECTRONIC MOUNTING .....	157
OPTIONAL JOYSTICK HANDLES.....	158
JOYSTICK MOUNTS .....	158
JOYSTICK MOUNT CANTILEVERED ARM ROUND .....	159
JOYSTICK ARM FIXED ROUND TUBE.....	160
JOYSTICK ARM SWING AWAY ROUND TUBE .....	161
JOYSTICK ARM RECLINE SWING AWAY ROUND TUBE .....	162
JOYSTICK HEIGHT ADJUSTABLE MOUNT ROUND TUBE .....	163
ATTENDANT CONTROL ASSEMBLY .....	164
TOGGLE SWITCH ASSEMBLIES.....	166
4 WAY SWITCH ACTIVATION WITH 3 AXIS CONTROL.....	168
BATTERIES & CHARGERS.....	169
FLAT TOP BATTERIES .....	170
STANDARD BATTERY .....	171

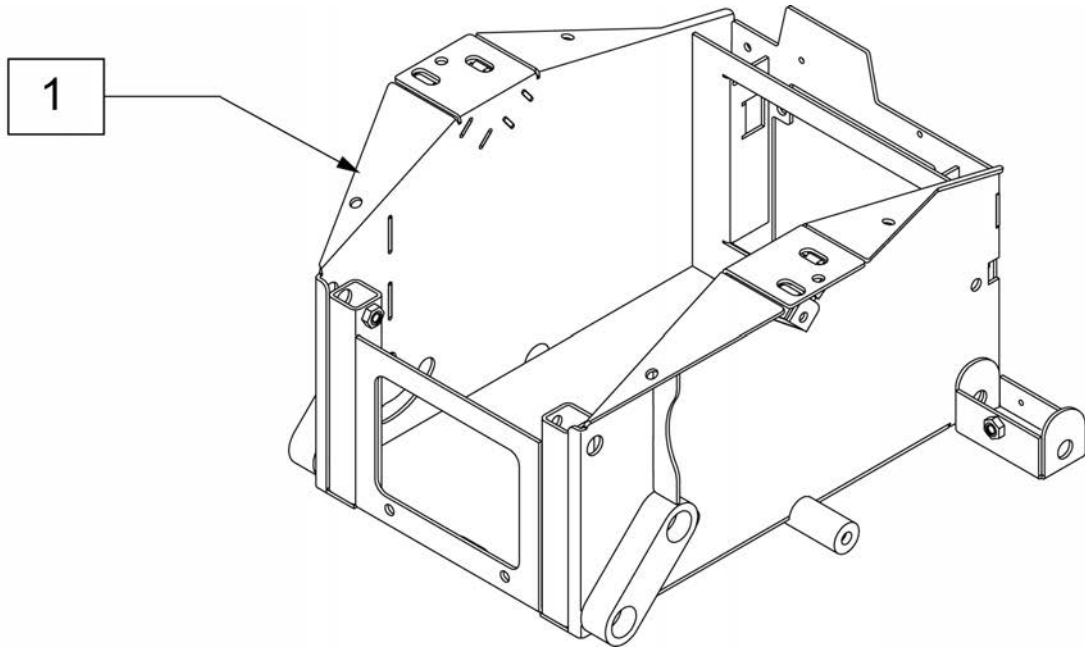
BATTERY CHARGER .....	172
BATTERY SPACER QM710 .....	173
WIRING .....	173
QM710 WIRING before S/N prefix QM710A, QM715A & QM720A .....	174
LIFT TRACK WIRING before S/N prefix QM710A, QM715A & QM720A.....	178
POWER HARNESS WIRING .....	179
QM710 WIRING After S/N prefix QM710A, QM715A & QM720A.....	180
TRACK WIRING AfterAfter S/N prefix QM710A, QM715A & QM720A .....	185
SPECIALTY CONTROLS.....	185
SIP N PUFF SYSTEM.....	186
ASL HEAD ARRAY PACKAGE .....	188
ASL PROPORTIONAL MINI JOYSTICK W/ CHIN CONTROL .....	190
ASL MINI JOYSTICK HAND CONTROL.....	192
SWITCH-IT HEAD ARRAY PACKAGE .....	193
PROPORTIONAL CHIN CONTROL PACKAGE .....	195
R NET OMNI DISPLAY & COMPACT JOYSTICK .....	196
SINGLE SWITCH DEVICES .....	198
ACCESSORIES .....	198
VENT & BATTERY TRAYS.....	198
QM710 VENT & BATT TRAY ASAP2 .....	199
QM710 VENT & BATT TRAY FIXED .....	200
QM710 VENT & BATT TRAY POWER RECLINE .....	201
TUFFAK TRAY(PULSE POWER CHAIRS).....	202
BACKPACKS AND SEAT POUCHES.....	203
AUTO BUCKLE POSITIONING BELTS .....	204
AIRCRAFT BUCKLE POSITIONING BELT.....	205
CHEST STRAP .....	206



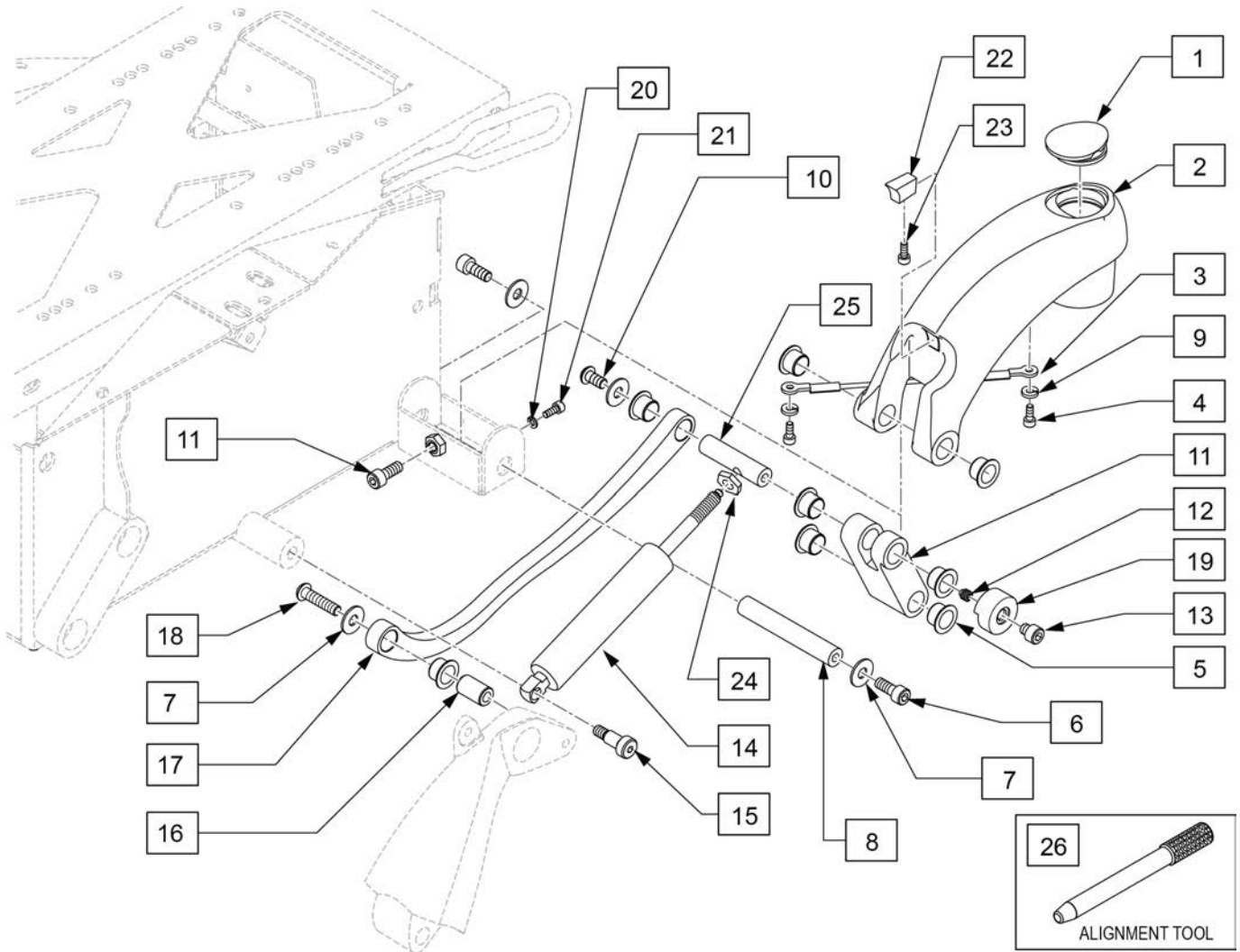
Pos.	Item Number	Description
1	116506	CHASIS SUB ASSY BLACK



Pos.	Item Number	Description	Remarks
2A	121906	WHL CSTR 3SPK BLK W BLK TIRE	Black Tire
2B	116502	WHL CASTER 3 SPK ASSY BLCK	Grey Tire
3-5	126191	KNOB W/ LANYARD AND HDWR EA	
1,2A,3-5	126107	QM CHASIS ASSM W/ BLACK CSTRS	Black Tires
1,2B,3-5	126108	QM CHASIS ASSM W/ GREY CSTRS	Grey Tires



Pos.	Item Number	Description
1	104573	WELDMENT BATTERY BOX

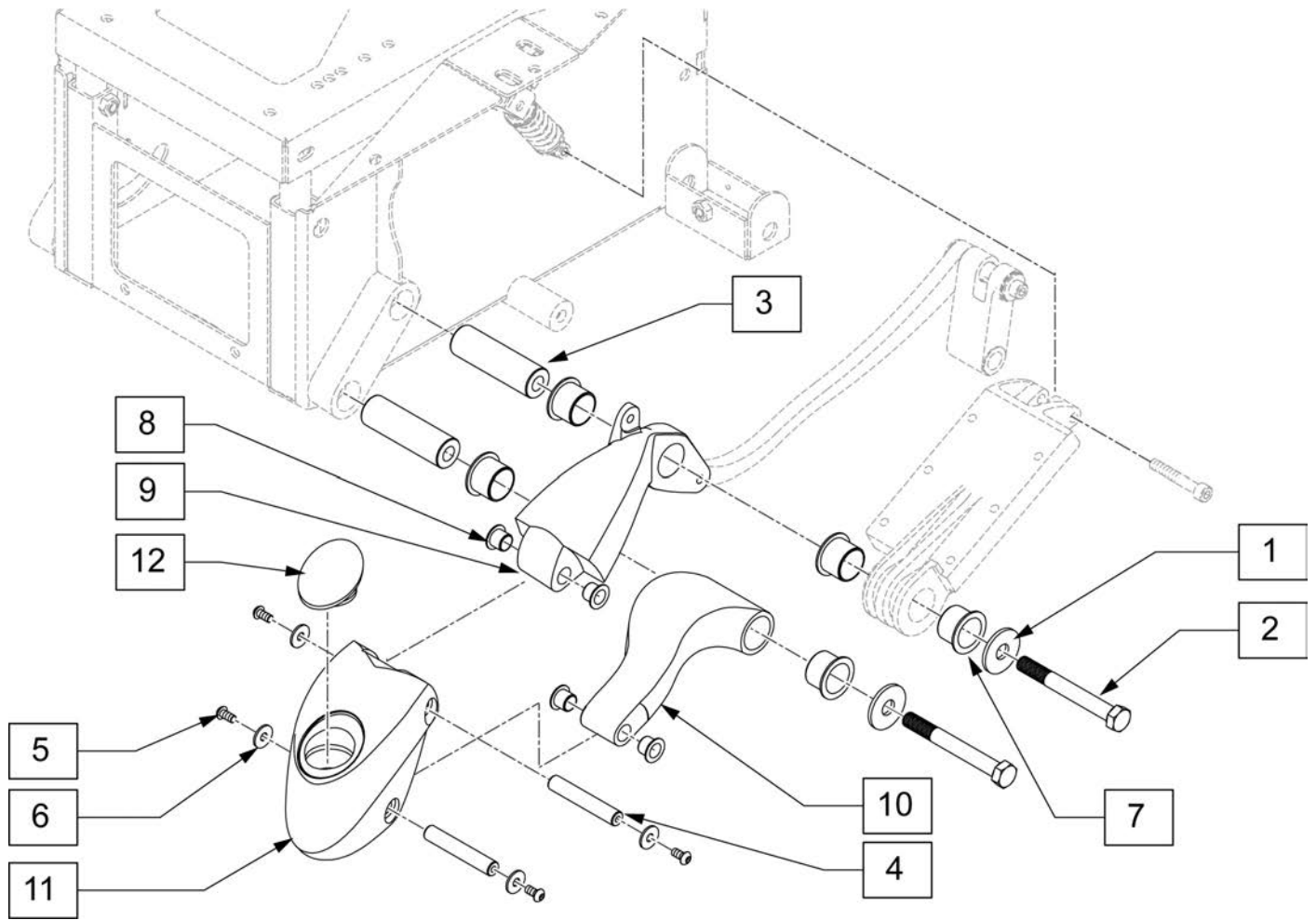


Pos.	Item Number	Description	Remarks
1	119949	REAR CASTER CAP	Includes left and right covers
4	103189-004	SHCS,M5X0.8X12,FULL,NP	
5	114501	BEARING IGUS 1517-12	
6	103191-005	SHCS,M8X1.25X20,FULL,PL	
7	119597	WASHER LARGE OD 8X21X2	
9	262132	M5 SPLIT LOCK WASHER	
10	103186-004	BHCS,M8X1.25X16,FULL,PL	
11	118124	MOUNT GAS SPRING REAR	
12	119452	M8X8 BRASS TIP SET SCREW	
13	118595	SHCS,M8X1.25X8,FULL,PL	
15	065132	BOLT SHOULDER 10X16 - M8	
16	104642	SLEEVE LINK PIVOT	
17	104644	LINK ARM	
18	103186-015	BHCS,M8X1.25X35,FULL,PL	
19	120453	BUMPER REAR CASTING QM710	
20	262132	M5 SPLIT LOCK WASHER	
21	103217	SHCS M4 X .7 X 8 ,FULL,NP	
22	114477	INSERT ANTI PITCH REAR CASTING	
23	103189-004	SHCS,M5X0.8X12,FULL,NP	



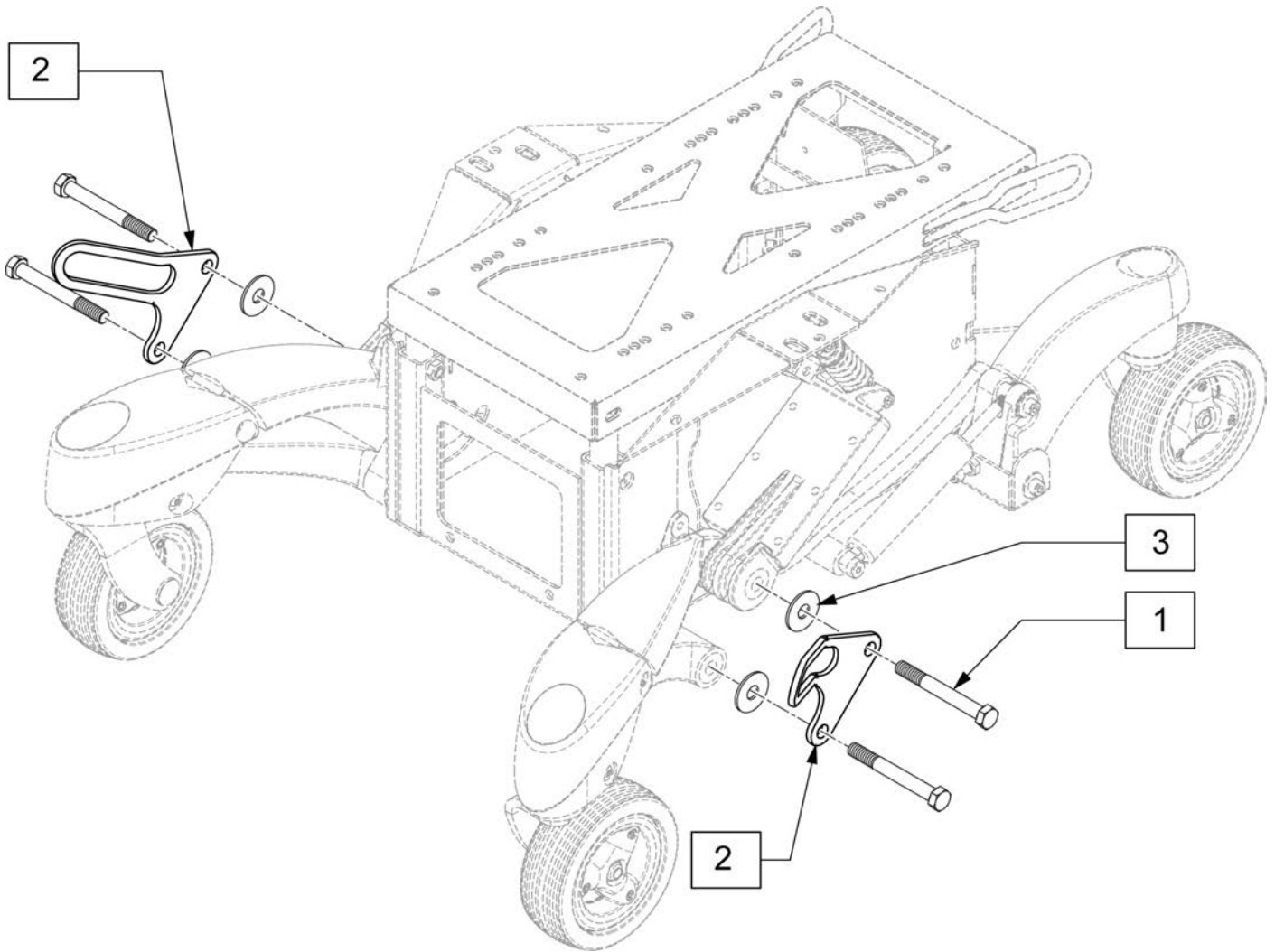
Pos.	Item Number	Description	Remarks
24	119596	JAM NUT M10X1	
25	104638	PIVOT PIN UPPER REAR	
26	118090	ALIGNMENT TOOL	
1-9,22,23	119889	REAR SWING ARM W/ BEARINGS R	Includes bearings and internal spacers
1-9,22,23	119890	REAR SWING ARM W/ BEARINGS L	Includes bearings and internal spacers
12-15,22-24	119891	GS STRT W/ MNTING HRDWR	

**FRONT SWING ARM**

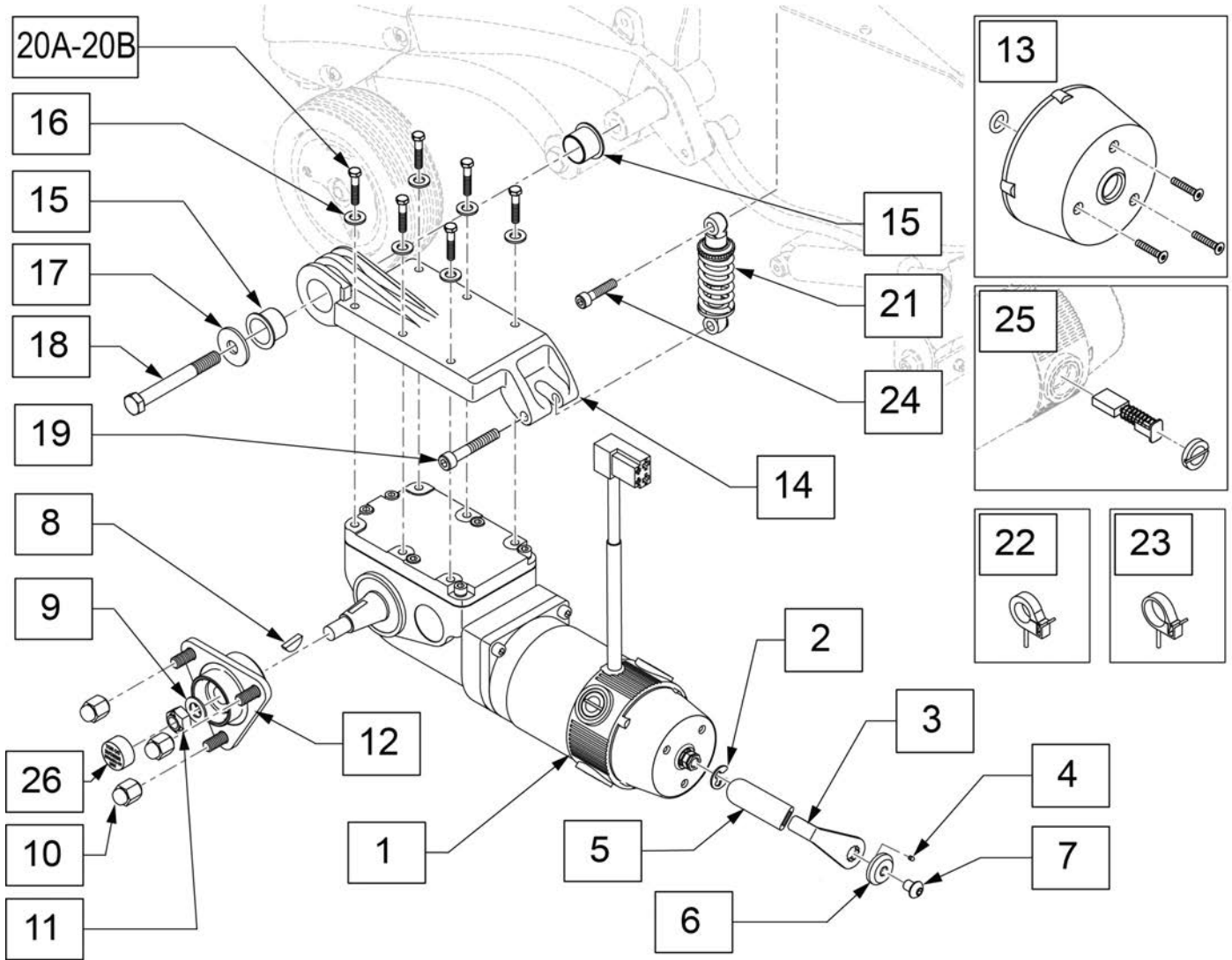


Pos.	Item Number	Description	Remarks
1	265165	WASHER FLAT M13 X 37 X 3 BLK	Not used with Transit
2	118007	HHCS M12X1.75X100	
4	104609	PIVOT PIN CSTR HSG	
5	103185-005	BHCS,M6X1X12,FULL,PL	
6	011111	WASHER M6 X 18 REG BLK	
7	114500	BEARING IGUS 2528-21	
8	114501	BEARING IGUS 1517-12	
12	119888	CASTER COVER	
1-6	119884	FRNT SWNG ARM PVT SLV WSHRS	
4-6,11,12	119885	FRNT CSTR HSNB ASSEMBLY R	
4-6,11,12	119886	FRNT CSTR HSNB ASSEMBLY L	
1-12	119973	FRONT SWING ARM ASSM W/DECAL R	Right
1-12	119974	FRONT SWING ARM ASSM W/DECAL L	Left

NOTE: When adding Transit Kit replace existing washers with item 3.

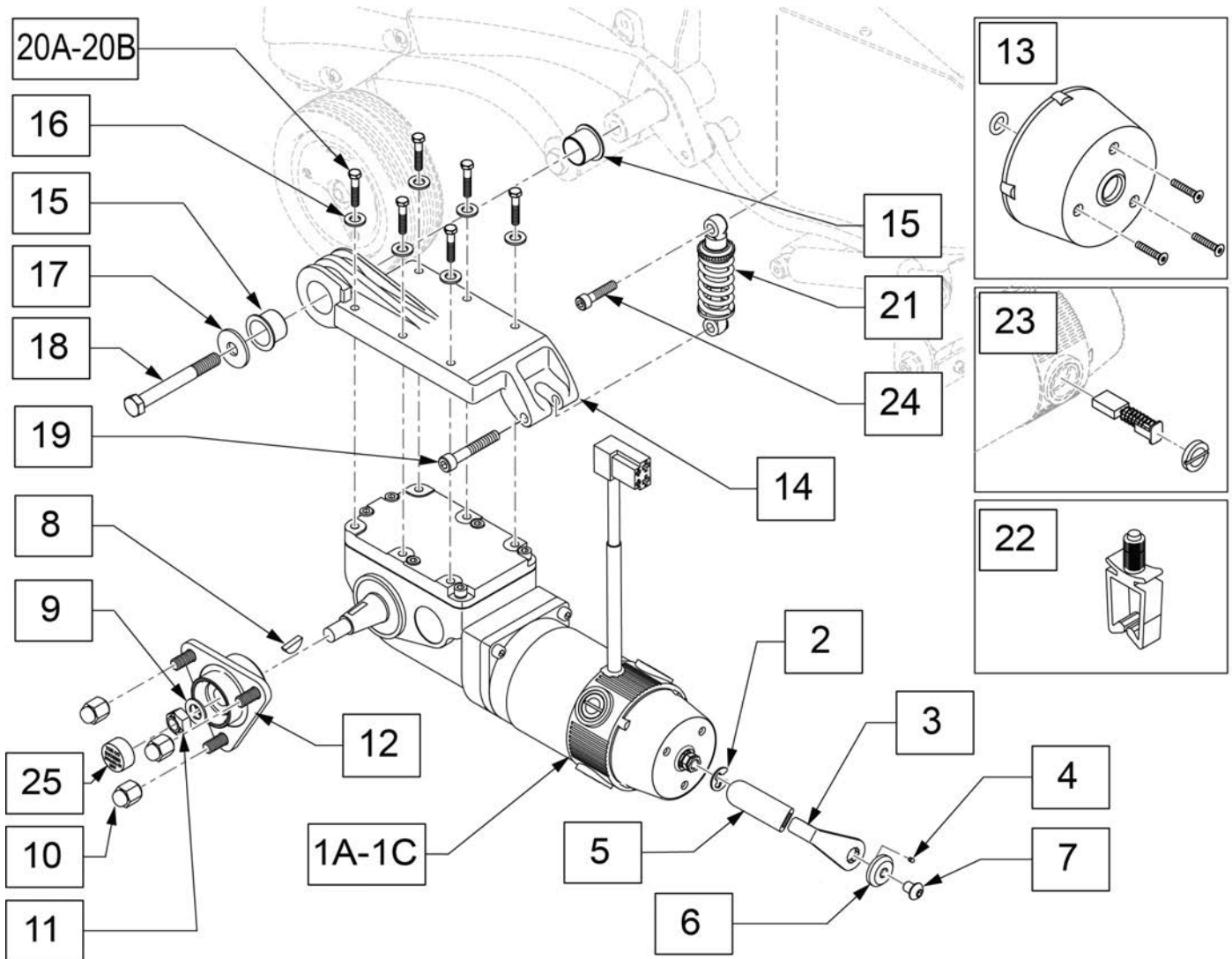


Pos.	Item Number	Description
1	118007	HHCS M12X1.75X100
3	120632	1/2" WASHER FENDER STEEL
1-3	120752	TRANSIT KIT



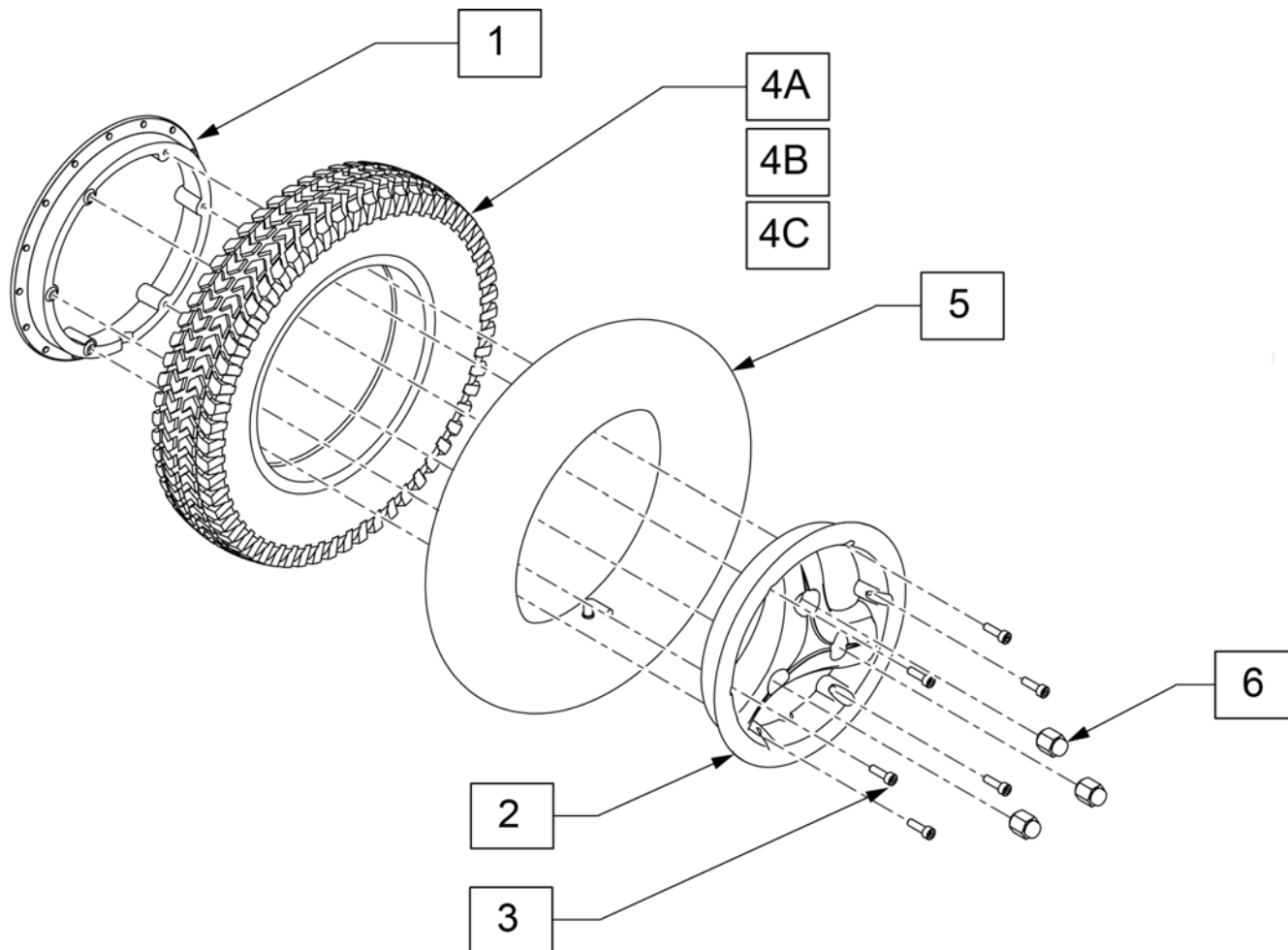
Pos.	Item Number	Description	Remarks
2	114479	E-STYLE STAINLESS EXTERNAL RETAINING RING	
3,5	119190	LEVER BRAKE W/ COVER	
4	011222	SET SCREW M3 X .5 CUP DT	
5	560507	WHL LCK PLST COVER BR	
6	115174	BRAKE LEVER LOCKING SPACER	
7	103186-001	BHCSM8X1.25X10FULLNP	
8	341269	#606 WOODRUFF KEY STEEL	
9	264101	1/2 WASHER HARDENED FLAT	
10	118980	CONICAL LUG NUT	Set of 3
11	210002	M12 X 1.75 ALL MTL PREV TRQ NT	
12	104625	HUB TAPERED 3 LUG	
13	112283	COVER BRAKE	
15	114500	BEARING IGUS 2528-21	
16	262122	1/4 WASHER LOCK ZN	
17	265165	WASHER FLAT M13 X 37 X 3 BLK	
18	118007	HHCS M12X1.75X100	
20A	118665	HHCS M6X1X45 PART NP	Used without Wheel Lock
20B	230502	HHCS M6 X 1.0 X 50 BLK	Used when Wheel Lock is attached

Pos.	Item Number	Description	Remarks
21	118001	SUSP SHOCK 150LB	
22	116222	CLAMP WIRE MOUNT 0.375 DIA	
23	116223	CLAMP WIRE MOUNT 0.5 DIA	
25	112281	BRUSH KIT 4 PL	Included 4 brushes & caps
26	349611	VINYL PLUG 7/8 DIA	
1-7	116515	MTR/GBX 4 POLE 6 MPH QM710 LH	Left,QM-710
1-7	116516	MTR/GBX 4 POLE 6 MPH QM710 RH	Right,QM-710
1-7	120636	MTR/GBX 8KPH 4POLE QM715 LH	Left,QM-715 or QM-710 High Torque
1-7	120637	MTR/GBX 8KPH 4POLE QM715 RH	Right,QM-715 or QM-710 High Torque
1-7	120638	MTR/GBX 13KPH 4POLE QM720 LH	Left, QM-720 or QM-710 Community Package
1-7	120639	MTR/GBX 13KPH 4POLE QM720 RH	Right,QM-720 or QM-710 Community Package
8-12	119878	DRIVE WHEEL HUB W/HARDWARE	
14-20A	119629	MTR MNT W/ATTACH HARDWARE R	Right
14-20A	119630	MTR MNT W/ATTACH HARDWARE L	Left
8-12,26	119878	DRIVE WHEEL HUB W/HARDWARE	
19,21,24	119892	TP SHCK W/ MNTNG HRDWR	



Pos.	Item Number	Description	Remarks
2	114479	E-STYLE STAINLESS EXTERNAL RETAINING RING	
3,5	119190	LEVER BRAKE W/ COVER	
4	011222	SET SCREW M3 X .5 CUP DT	
5	560507	WHL LCK PLST COVER BR	
6	115174	BRAKE LEVER LOCKING SPACER	
7	103186-001	BHCSM8X1.25X10FULLNP	
8	341269	#606 WOODRUFF KEY STEEL	
9	264101	1/2 WASHER HARDENED FLAT	
10	118980	CONICAL LUG NUT	Set of 3
11	210002	M12 X 1.75 ALL MTL PREV TRQ NT	
12	104625	HUB TAPERED 3 LUG	
13	112283	COVER BRAKE	
15	114500	BEARING IGUS 2528-21	
16	262122	1/4 WASHER LOCK ZN	
17	265165	WASHER FLAT M13 X 37 X 3 BLK	
18	118007	HHCS M12X1.75X100	
20A	118665	HHCS M6X1X45 PART NP	Used without Wheel Lock
20B	230502	HHCS M6 X 1.0 X 50 BLK	Used when Wheel Lock is attached

Pos.	Item Number	Description	Remarks
21	118001	SUSP SHOCK 150LB	
22	124936	CLIP, WIRE SADDLE	
23	112281	BRUSH KIT 4 PL	
25	349611	VINYL PLUG 7/8 DIA	
1A-7	123487	MTR/GBX 4 PL QM710 LSTFH LH	Left-10kph
1A-7	123488	MTR/GBX 4 PL QM710 LSTFH RH	Right-10kph
1B-7	123490	MTR/GBX 4PL QM710 LSTFH LH	Left-8kph
1B-7	123491	MTR/GBX 4PL QM710 LSTFH RH	Right-8kph
1C-7	123492	MTR/GBX 4PL QM710 LSTFH LH	Left-13kph
1C-7	123493	MTR/GBX 4PL QM710 LSTFH RH	Right-13kph
2-7	126135	MOTOR BRAKE LEVER KIT	
9-12	119878	DRIVE WHEEL HUB W/HARDWARE	
14-20A	119629	MTR MNT W/ATTACH HARDWARE R	Right
14-20A	119630	MTR MNT W/ATTACH HARDWARE L	Left
9-12,26	119878	DRIVE WHEEL HUB W/HARDWARE	
19,21,24	119892	TP SHCK W/ MNTNG HRDWR	
1A-9,11,12,25	126129	MTR/GBX/HUB 4PL QM7 6MPH LH	Left
1A-9,11,12,25	126130	MTR/GBX/HUB 4PL QM7 6MPH RH	Right
1B-9,11,12,25	126131	MTR/GBX/HUB 4PL QM7 5MPH LH	Left
1B-9,11,12,25	126132	MTR/GBX/HUB 4PL QM7 5MPH RH	Right
1C-9,11,12,25	126133	MTR/GBX/HUB 4PL QM7 8MPH LH	Left
1C-9,11,12,25	126134	MTR/GBX/HUB 4PL QM7 8MPH RH	Right

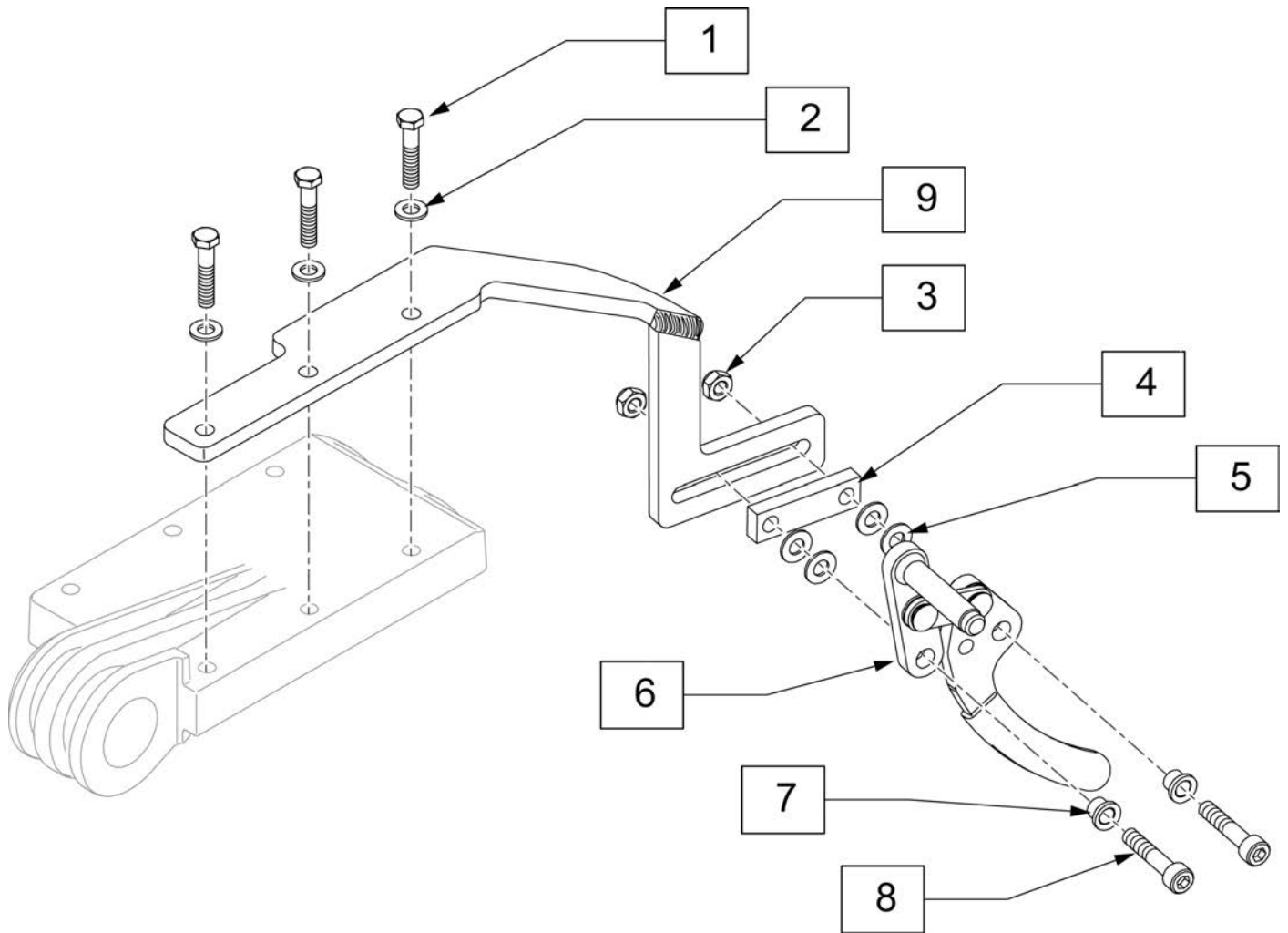


Pos.	Item Number	Description	Remarks
3	112273	SHCS M6X1X20X FULL, PL S	
4A	384709	TIRE PNEU 14" X 3"	
4B	384261	TIRE W/INSERT 14" X 3"	
4C	125284	TIRE PNEU 14"X3" BLK	
5	384739	INNER TUBE 14"X 3" 90D STEM	
6	200135	CONICAL LUG NUT	
1-3,4A,5	116578	WHL 3 SPK BLACK 3X8, 14" X 3" PNEU	Pneumatic-Grey Tires
1-3,4B	120921	WHL 3 SPK 3X8 KNB DD BLACK	Solid Insert Dual Density Tires-Grey
1-3,4C,5	121907	WHL 3 SPK 3X8 KNB BLK SOLID BLACK	

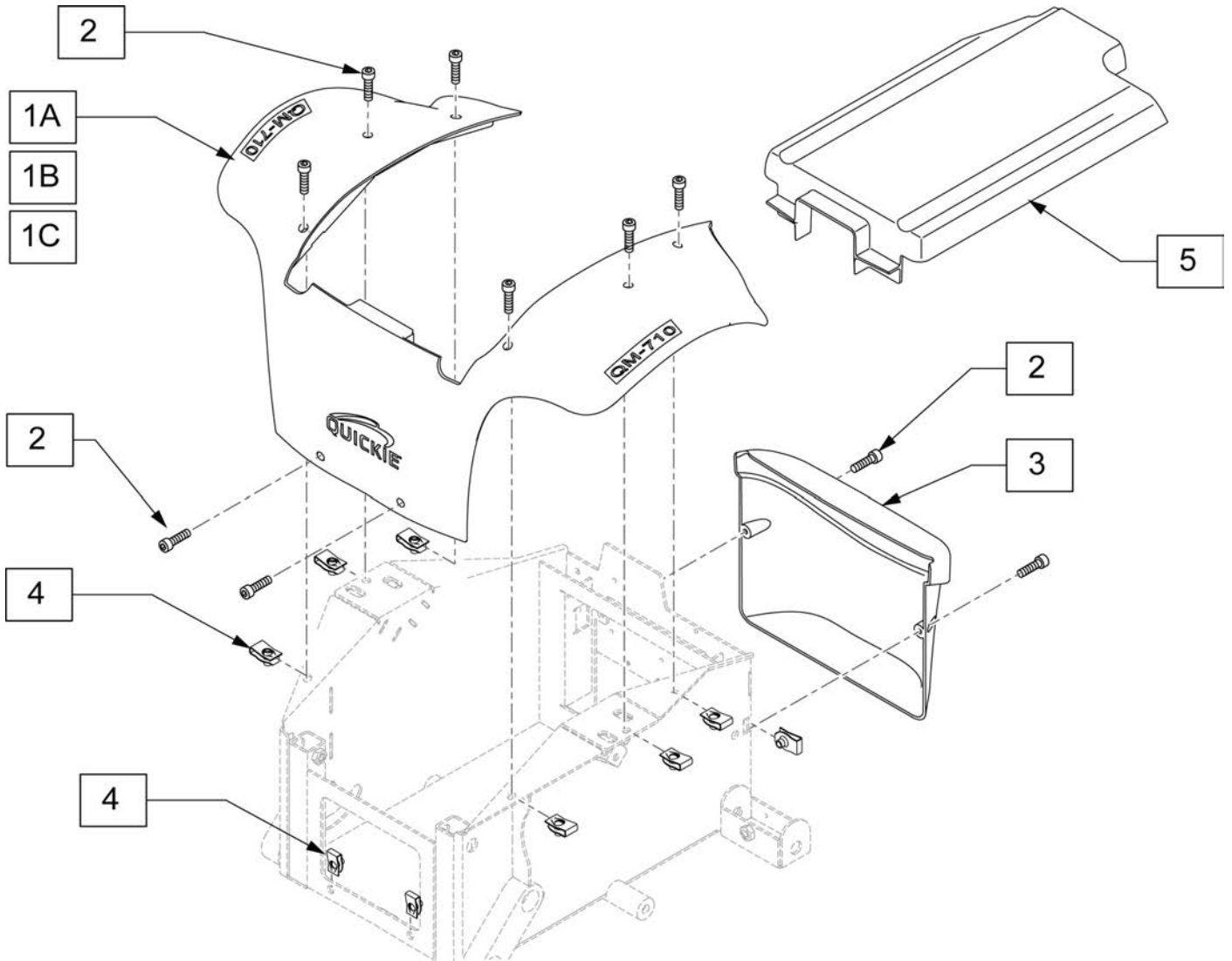


NOTE: If changing to pneumatic tires on chairs with S/N prior to M710-101829, you must change shocks to item #118001.

Note: As of 09/01/2012 QM7 series chairs began shipping with Dual Density Tires. Replacement wheels for chairs prior to 09/01/2012 should be ordered in pairs.

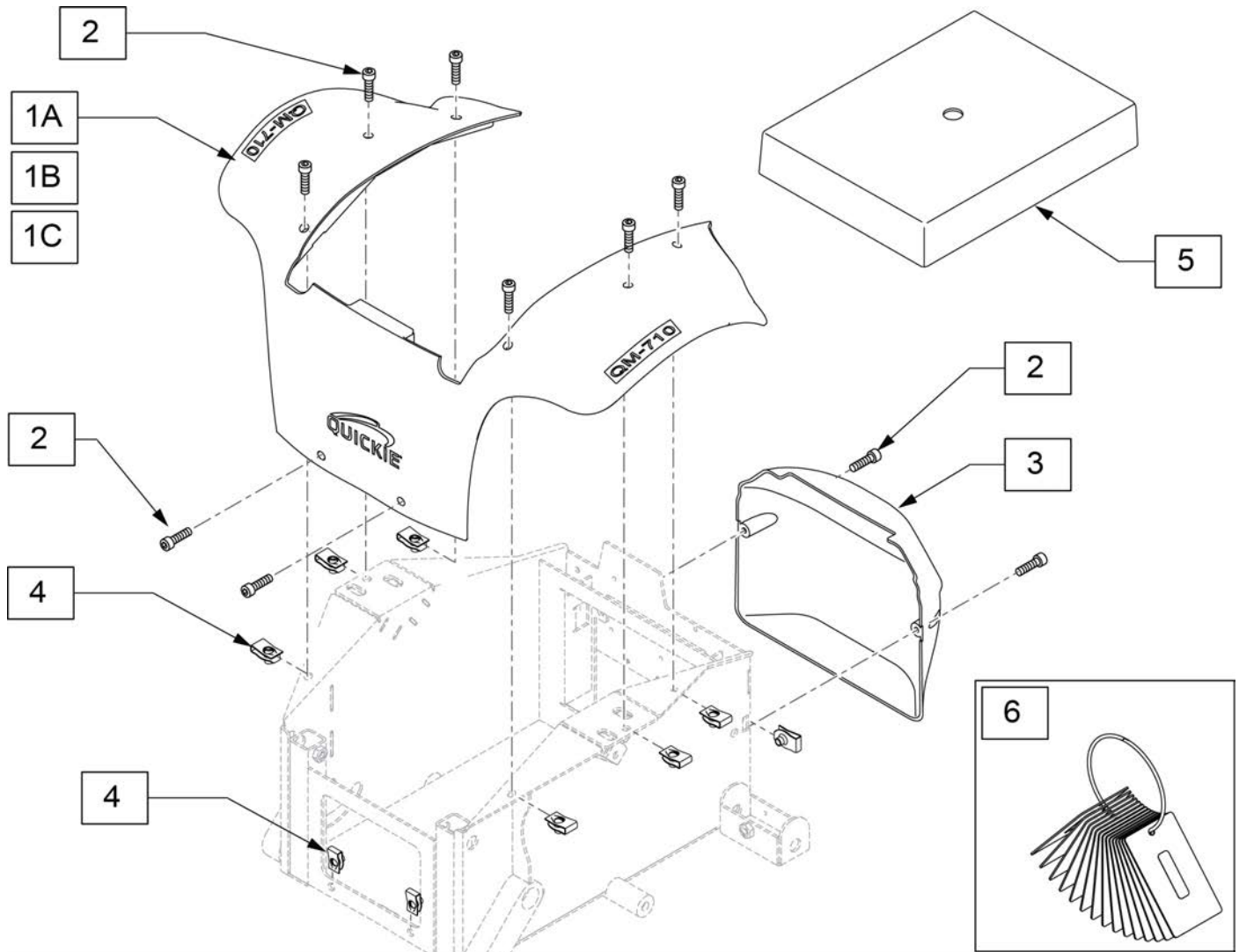


Pos.	Item Number	Description	Remarks
1	230502	HHCS M6 X 1.0 X 50 BLK	
2	262122	1/4 WASHER LOCK ZN	
3	210084	NUT HEX NYLOCK M6 BLACK	
3-9	116472	WHEEL LOCK PUSH R	Right
3-9	116473	WHEEL LOCK PUSH L	Left
1-9	119911	WHEEL LOCK ASSEMBLY R	Right
1-9	119912	WHEEL LOCK ASSEMBLY L	Left



Pos.	Item Number	Description	Remarks
1A-2	119897	MAIN SHROUD KIT RED	QM-710
1A-2	119898	MAIN SHROUD KIT BLUE	QM-710
1A-2	119899	MAIN SHROUD KIT BLACK	QM-710
1A-2	119900	MAIN SHROUD KIT SILVER	QM-710
1A,2	119901	MAIN SHROUD KIT COPPER	QM-710
1A-2	121070	QM710 SHROUD KIT MAIN DIGITAL	QM-710
1A-2	121071	QM710 SHROUD KIT MAIN WOODLAND	QM-710
1B-2	120958	QM715 MAIN SHROUD RED	QM-715
1B-2	120959	QM715 MAIN SHROUD BLUE	QM-715
1B-2	120960	QM715 MAIN SHROUD BLACK	QM-715
1B-2	120961	QM715 MAIN SHROUD SILVER	QM-715
1B-2	120962	QM715 MAIN SHROUD COPPER	QM-715
1B-2	121130	QM715 SHROUD KIT MAIN DIGITAL	QM-715
1B-2	121131	QM715 SHROUD KIT MAIN WOODLAND	QM-715
1C-2	120963	QM720 MAIN SHROUD RED	QM-720
1C-2	120964	QM720 MAIN SHROUD BLUE	QM-720
1C-2	120965	QM720 MAIN SHROUD BLACK	QM-720

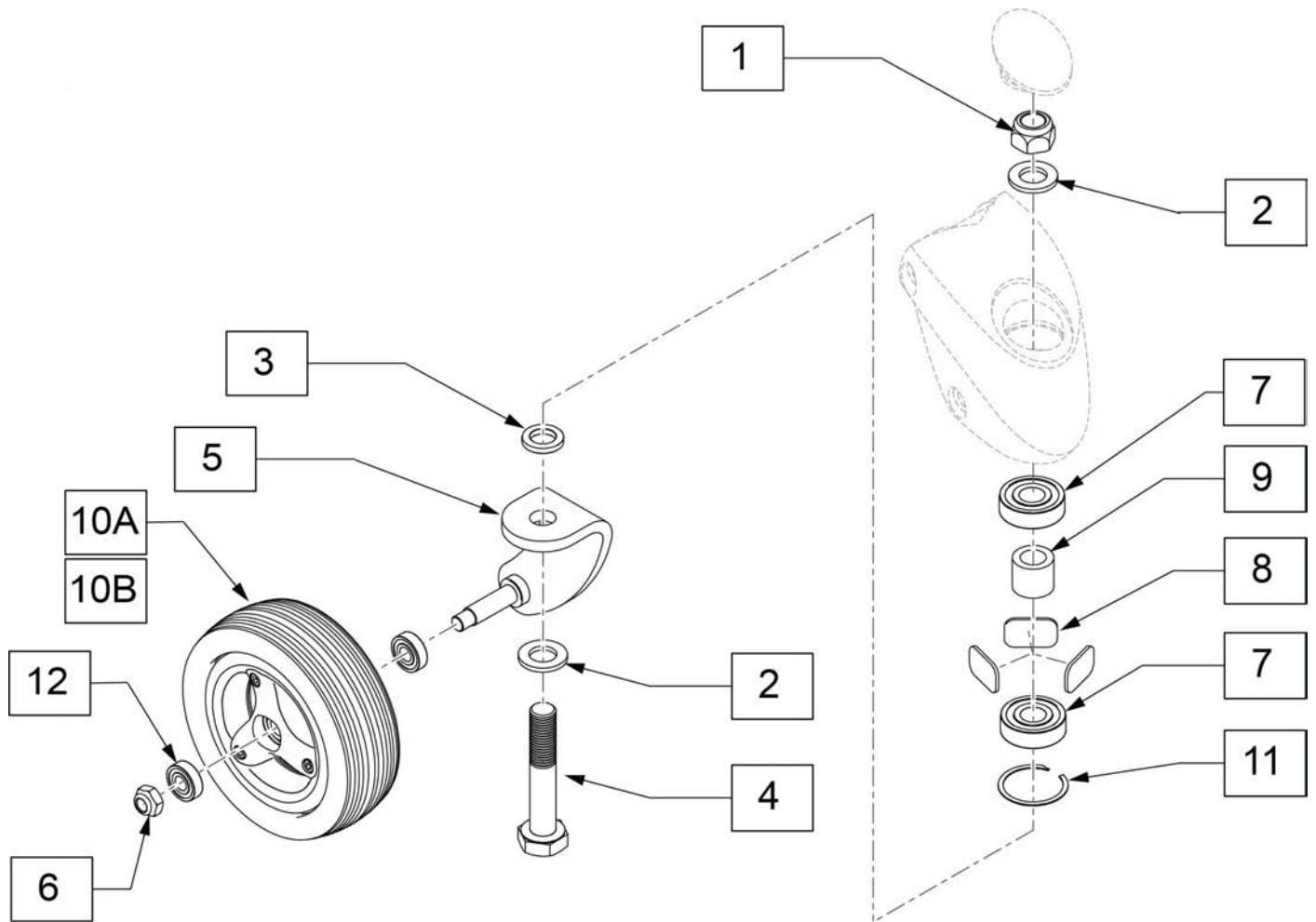
Pos.	Item Number	Description	Remarks
1C-2	120966	QM720 MAIN SHROUD SILVER	QM-720
1C-2	120967	QM720 MAIN SHROUD COPPER	QM-720
1C-2	121132	QM720 SHROUD KIT MAIN DIGITAL	QM-720
1C-2	121133	QM720 SHROUD KIT MAIN WOODLAND	QM-720
2	119907	SHROUD FASTNERS KIT	Set of 10
3	119902	REAR SHROUD KIT RED	
3	119903	REAR SHROUD KIT BLUE	
3	119904	REAR SHROUD KIT BLACK	
3	119905	REAR SHROUD KIT SILVER	
3	119906	REAR SHROUD KIT COPPER	
2,3	121072	SHROUD KIT REAR DIGITAL CAMO	
2,3	121073	SHROUD KIT REAR WOODLAND CAMO	
4	118091	EXTRUDED U NUT M5X0.8	
5	116396	SHROUD TOP ASSM	



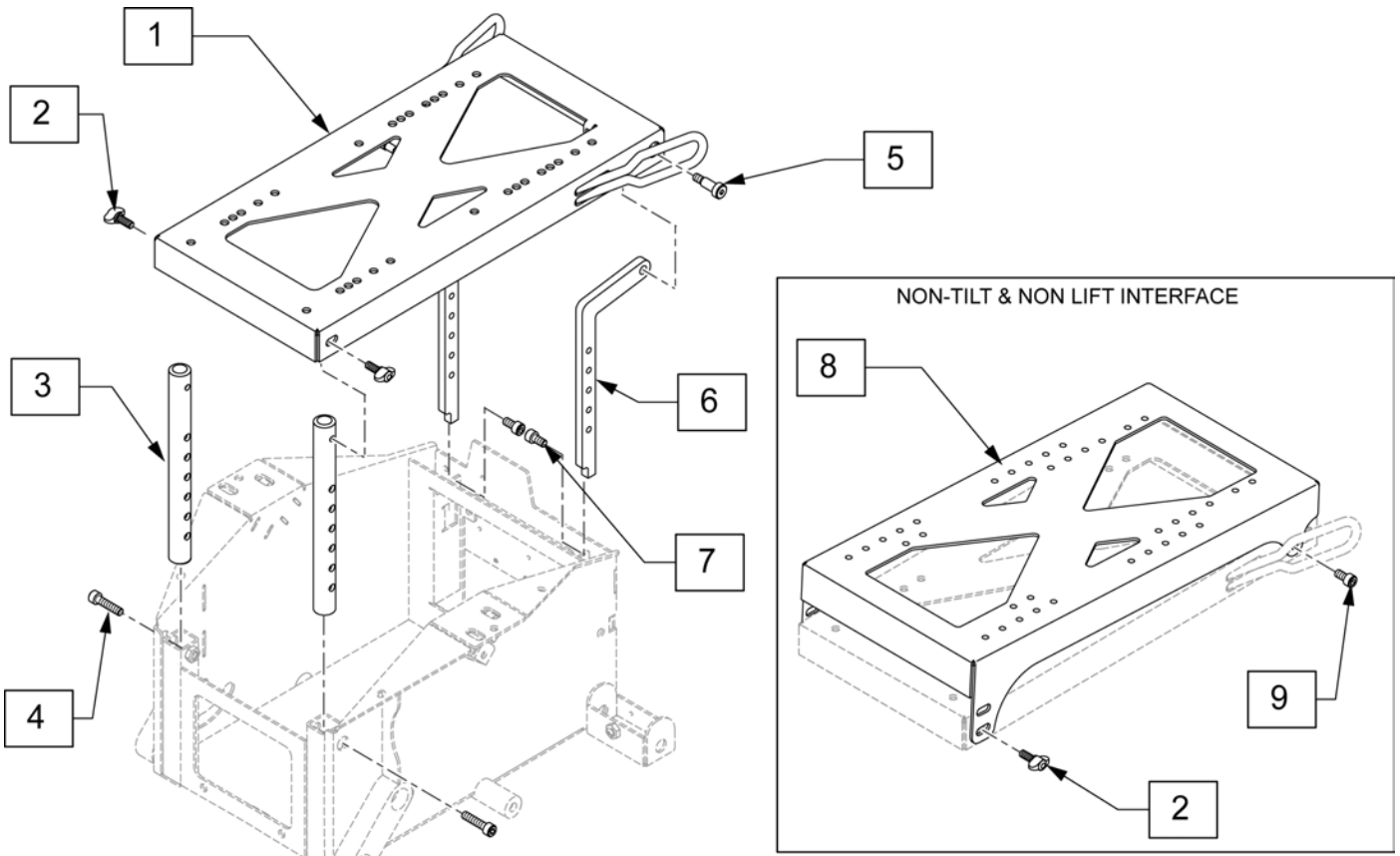
Pos.	Item Number	Description	Remarks
1A-2	119897	MAIN SHROUD KIT RED	QM-710
1A-2	119898	MAIN SHROUD KIT BLUE	QM-710
1A-2	119899	MAIN SHROUD KIT BLACK	QM-710
1A-2	119900	MAIN SHROUD KIT SILVER	QM-710
1A,2	119901	MAIN SHROUD KIT COPPER	QM-710
1A-2	121070	QM710 SHROUD KIT MAIN DIGITAL	QM-710
1A-2	121071	QM710 SHROUD KIT MAIN WOODLAND	QM-710
1A-2	126137	710 MAIN SHROUD KIT GRN APPLE	QM-710
1A-2	126138	710 MAIN SHROUD KIT YELLOW	QM-710
1A-2	126139	710 MAIN SHROUD KIT PINK	QM-710
1A-2	126140	710 MAIN SHROUD KIT PURPLE	QM-710
1A-2	126141	710 MAIN SHROUD KIT FLAT BLACK	QM-710
1A-2	126142	710 MAIN SHRD KIT MDNIGHT BLUE	QM-710
1A-2	126143	710 MAIN SHROUD KIT WHITE	QM-710
1A-2	126144	710 MAIN SHRD KIT CARBON FIBER	QM-710
1B-2	120958	QM715 MAIN SHROUD RED	QM-715
1B-2	120959	QM715 MAIN SHROUD BLUE	QM-715
1B-2	120960	QM715 MAIN SHROUD BLACK	QM-715

Pos.	Item Number	Description	Remarks
1B-2	120961	QM715 MAIN SHROUD SILVER	QM-715
1B-2	120962	QM715 MAIN SHROUD COPPER	QM-715
1B-2	121130	QM715 SHROUD KIT MAIN DIGITAL	QM-715
1B-2	121131	QM715 SHROUD KIT MAIN WOODLAND	QM-715
1B-2	126145	715 MAIN SHROUD KIT GRN APPLE	QM-715
1B-2	126146	715 MAIN SHROUD KIT YELLOW	QM-715
1B-2	126147	715 MAIN SHROUD KIT PINK	QM-715
1B-2	126148	715 MAIN SHROUD KIT PURPLE	QM-715
1B-2	126149	715 MAIN SHROUD KIT FLAT BLACK	QM-715
1B-2	126150	715 MAIN SHRD KIT MDNIGHT BLUE	QM-715
1B-2	126151	715 MAIN SHROUD KIT WHITE	QM-715
1B-2	126152	715 MAIN SHROUD KIT CARB FIBER	QM-715
1C-2	120963	QM720 MAIN SHROUD RED	QM-720
1C-2	120964	QM720 MAIN SHROUD BLUE	QM-720
1C-2	120965	QM720 MAIN SHROUD BLACK	QM-720
1C-2	120966	QM720 MAIN SHROUD SILVER	QM-720
1C-2	120967	QM720 MAIN SHROUD COPPER	QM-720
1C-2	121132	QM720 SHROUD KIT MAIN DIGITAL	QM-720
1C-2	121133	QM720 SHROUD KIT MAIN WOODLAND	QM-720
1C-2	126153	720 MAIN SHROUD KIT GRN APPLE	QM-720
1C-2	126154	720 MAIN SHROUD KIT YELLOW	QM-720
1C-2	126155	720 MAIN SHROUD KIT PINK	QM-720
1C-2	126156	720 MAIN SHROUD KIT PURPLE	QM-720
1C-2	126157	720 MAIN SHROUD KIT FLAT BLACK	QM-720
1C-2	126158	720 MAIN SHRD KIT MDNIGHT BLUE	QM-720
1C-2	126159	720 MAIN SHROUD KIT WHITE	QM-720
1C-2	126160	720 MAIN SHROUD KIT CARB FIBER	QM-720
2	119907	SHROUD FASTNERS KIT	Set of 10
3	126169	REAR SHROUD ASSY STFH RED	
3	126170	REAR SHROUD ASSY STFH BLACK	
3	126171	REAR SHROUD ASSY STFH BLUE	
3	126172	REAR SHROUD ASSY STFH SILVER	
3	126173	REAR SHROUD ASSY STFH COPPER	
3	126174	REAR SHROUD ASSY DIGITAL CAMO	
3	126175	REAR SHROUD ASSY WOOD CAMO	
3	126176	REAR SHROUD ASSY STFH GRN APL	
3	126177	REAR SHROUD ASSY STFH YELLOW	
3	126178	REAR SHROUD ASSY STFH PINK	
3	126179	REAR SHROUD ASSY STFH PURPLE	
3	126180	REAR SHRD ASSY STFH FLAT BLACK	
3	126181	RR SHRD ASSY STFH MDNGHT BLUE	
3	126182	REAR SHRD ASSY STFH CARB FIBER	
3	126183	REAR SHROUD ASSY STFH WHITE	
4	118091	EXTRUDED U NUT M5X0.8	
5	126136	BATTERY COVER QM7XX	
6	126604	KIT SHROUD COLOR SAMPLES	

**NOTE:** Front Caster housing shown. Components are the same for the Rear Caster.

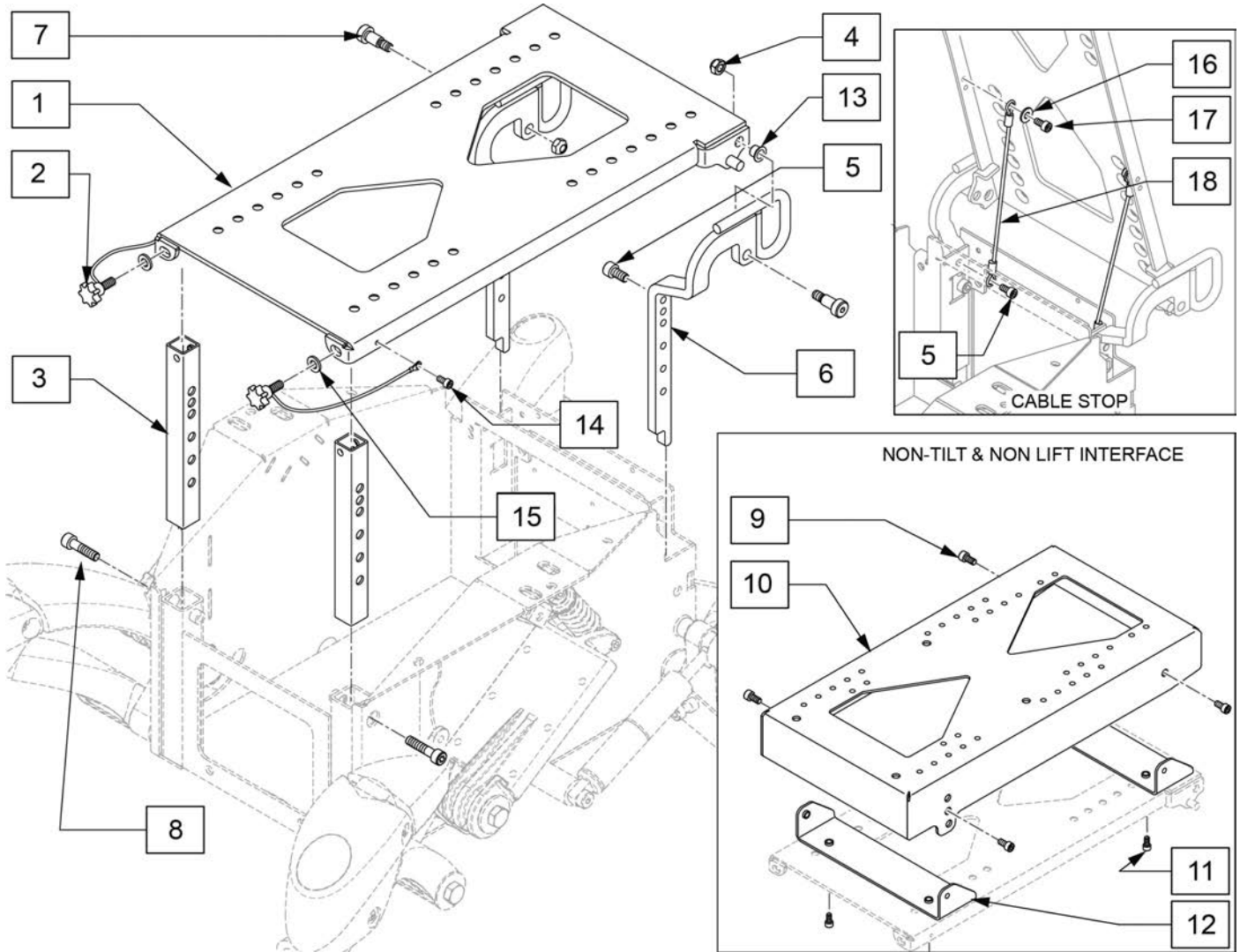


Pos.	Item Number	Description	Remarks
1	230041	M16X1.5 NYLOCK NUT	
2	250098	M16 HARDENED	
3	481480	CASTER FORK SPACER	
4	230048	HHCS M16 X 1.5 X 90	
6	107356	NUT HEX NYLOCK M10 CLEAR	
7	349542	BEARING BALL 6203-2RS-16	
8	010514	PLATE ANTI FLUTTER	
9	526064	SPACER BEARING CASTER 16MM	
10A	116502	WHL CASTER 3 SPK ASSY BLCK	Grey Tire
10B	121906	WHL CSTR 3SPK BLK W BLK TIRE	Black Tire
11	320021	RETAINING RING CSTR BEARING	
12	105537	BEARING BALL 6001-2RS 12X28X8	
1-6	119909	FORK & STEM ASSEMBLY RT	
1-6	119954	FORK & STEM ASSEMBLY LT	



Pos.	Item Number	Description	Remarks
2	120383	M8 KNOB 2 LOBE	
4	116393	SHCS,M8X1.25X35,FULL,PL	
5	011514-004	SHOULDER BOLT	
7	103221	SHCS,M8X1.25X16,FULL,PL	
9	116389	SHCS,M8X1.25X10,FULL,PL	
1,2,5	119918	SEAT INTERFACE ASSEMBLY	
3,4	119894	FRNT ST PST W/ MNTNG HRDWR	
6,7	119895	RR ST PST W/ MNTNG HRDWR	
8,9	119919	NON TILT SEAT INTERFACE	Add when Lift or Tilt is not used

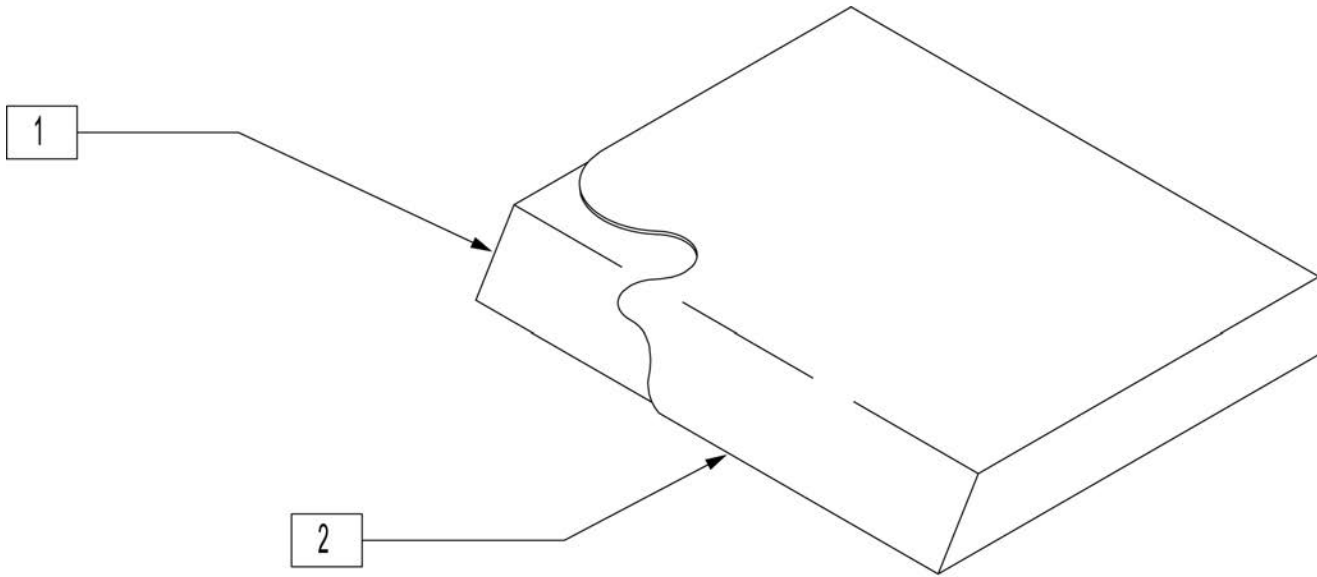




Pos.	Item Number	Description	Remarks
1	124037	WELDMENT INTERFACE	
2,14,15	126191	KNOB W/ LANYARD AND HDWR EA	
3	122485	SEATPOST FRONT	
4	210085	NUT HEX NYLOCK M8	
5	103221	SHCS,M8X1.25X16,FULL,PL	
6	124034	WLDMNT SEATPOST REAR RH	Right
6	124033	WLDNT SEATPOST REAR LH	Left
7	065132	SHOULDER BOLT	
8	116393	SHCS,M8X1.25X10,FULL,PL	
9	013158	SHCS M8 X 1.25 X 20 BLK W/PL	
9,10	126102	PACKER MODULE W/ HDWR	
11,12	126103	PACKER PIVOTS W/ HDWR	
11	125756	FHCS, M8X1.25X12, FULL PL	
12	124197	PACKER PIVOT	
13	125652	bushing	
2,3,8	126104	FRONT POSTS W/ HDWR PAIR	
1,2,4,7,13-15	126106	SEAT BASE INTERFACE W/ HDWR	
4-7,13	126105	REAR POSTS W/ HDWR PAIR	

Pos.	Item Number	Description	Remarks
16-18	126192	INTERFACE CABLE W/ HDWR EA	

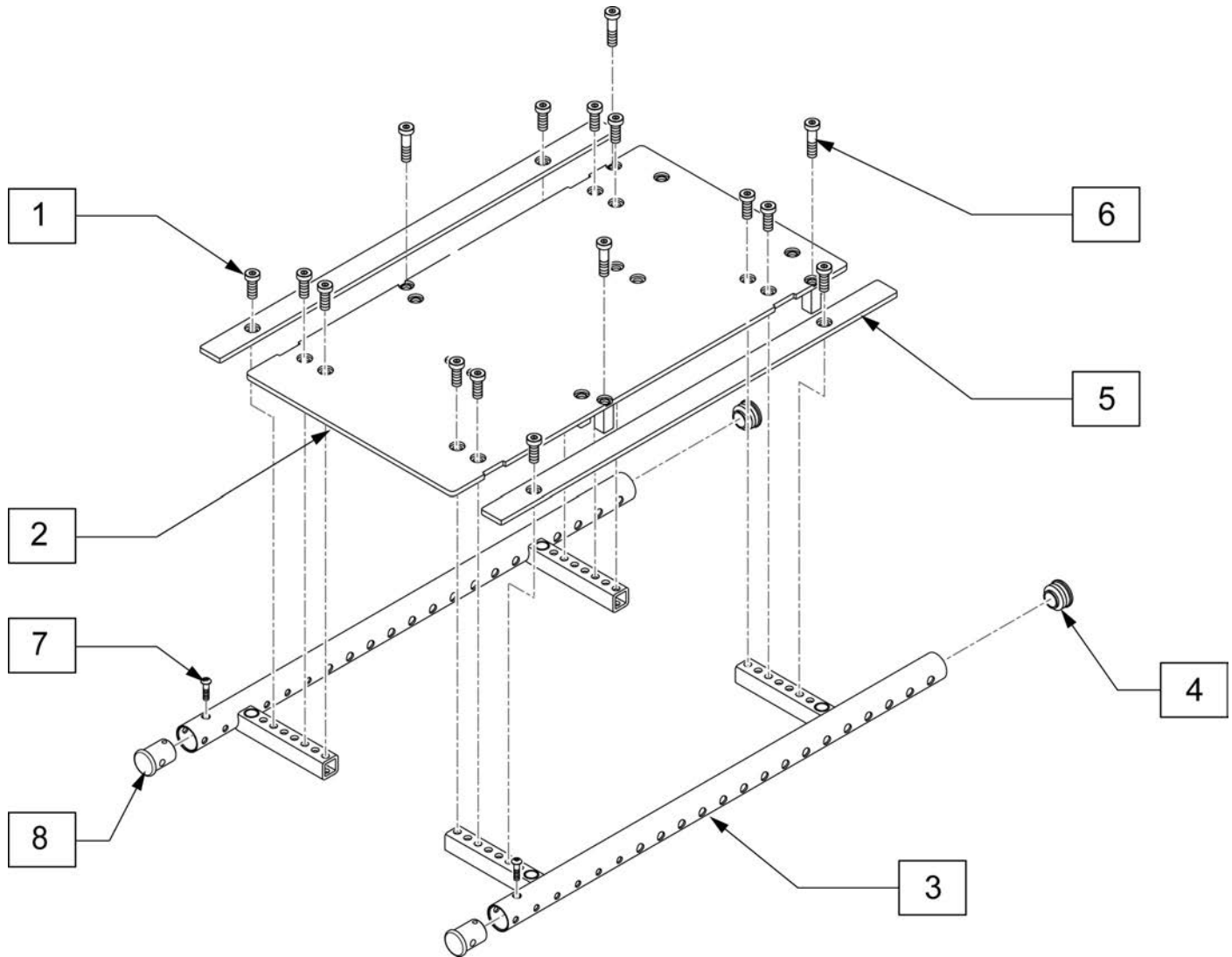
**NOTE:** On all Quickie 2 and GP Family of Chairs an inch deeper cushion is utilized on all seat depths.



Pos.	Item Number	Description	Pos.	Item Number	Description
>>>>		10" WIDE SEAT CUSHION	1,2	700152	SEAT CUSHION 12" X 15" X 2"
1,2	700025	SEAT CUSHION 10" X 8" X 2"	1,2	700162	SEAT CUSHION 12" X 16" X 2"
1,2	700026	SEAT CUSHION 10" X 9" X 2"	1,2	700172	SEAT CUSHION 12" X 17" X 2"
1,2	700027	SEAT CUSHION 10" X 10" X 2"	1,2	700182	SEAT CUSHION 12" X 18" X 2"
1,2	700028	SEAT CUSHION 10" X 11" X 2"	1,2	700192	SEAT CUSHION 12" X 19" X 2"
1,2	700029	SEAT CUSHION 10" X 12" X 2"	>>>>		13" WIDE SEAT CUSHION
1,2	700035	SEAT CUSHION 10" X 13" X 2"	1,2	700207	SEAT CUSHION 13" X 8" X 2"
1,2	700045	SEAT CUSHION 10" X 14" X 2"	1,2	700208	SEAT CUSHION 13" X 9" X 2"
>>>>		11" WIDE SEAT CUSHION	1,2	700202	SEAT CUSHION 13" X 10" X 2"
1,2	700055	SEAT CUSHION 11" X 8" X 2"	1,2	700212	SEAT CUSHION 13" X 11" X 2"
1,2	700056	SEAT CUSHION 11" X 9" X 2"	1,2	700222	SEAT CUSHION 13" X 12" X 2"
1,2	700002	SEAT CUSHION 11" X 10" X 2"	1,2	700232	SEAT CUSHION 13" X 13" X 2"
1,2	700012	SEAT CUSHION 11" X 11" X 2"	1,2	700242	SEAT CUSHION 13" X 14" X 2"
1,2	700022	SEAT CUSHION 11" X 12" X 2"	1,2	700252	SEAT CUSHION 13" X 15" X 2"
1,2	700032	SEAT CUSHION 11" X 13" X 2"	1,2	700262	SEAT CUSHION 13" X 16" X 2"
1,2	700042	SEAT CUSHION 11" X 14" X 2"	1,2	700272	SEAT CUSHION 13" X 17" X 2"
1,2	700052	SEAT CUSHION 11" X 15" X 2"	1,2	700277	SEAT CUSHION 13" X 18" X 2"
1,2	700062	SEAT CUSHION 11" X 16" X 2"	1,2	700267	SEAT CUSHION 13" X 19" X 2"
1,2	700072	SEAT CUSHION 11" X 17" X 2"	>>>>		14" WIDE SEAT CUSHION
1,2	700082	SEAT CUSHION 11" X 18" X 2"	1,2	700287	SEAT CUSHION 14" X 8" X 2"
>>>>		12" WIDE SEAT CUSHION	1,2	700288	SEAT CUSHION 14" X 9" X 2"
1,2	700107	SEAT CUSHION 12" X 8" X 2"	1,2	700282	SEAT CUSHION 14" X 10" X 2"
1,2	700108	SEAT CUSHION 12" X 9" X 2"	1,2	700292	SEAT CUSHION 14" X 11" X 2"
1,2	700102	SEAT CUSHION 12" X 10" X 2"	1,2	700302	SEAT CUSHION 14" X 12" X 2"
1,2	700112	SEAT CUSHION 12" X 11" X 2"	1,2	700312	SEAT CUSHION 14" X 13" X 2"
1,2	700122	SEAT CUSHION 12" X 12" X 2"	1,2	700322	SEAT CUSHION 14" X 14" X 2"
1,2	700132	SEAT CUSHION 12" X 13" X 2"	1,2	700332	SEAT CUSHION 14" X 15" X 2"
1,2	700142	SEAT CUSHION 12" X 14" X 2"	1,2	700342	SEAT CUSHION 14" X 16" X 2"

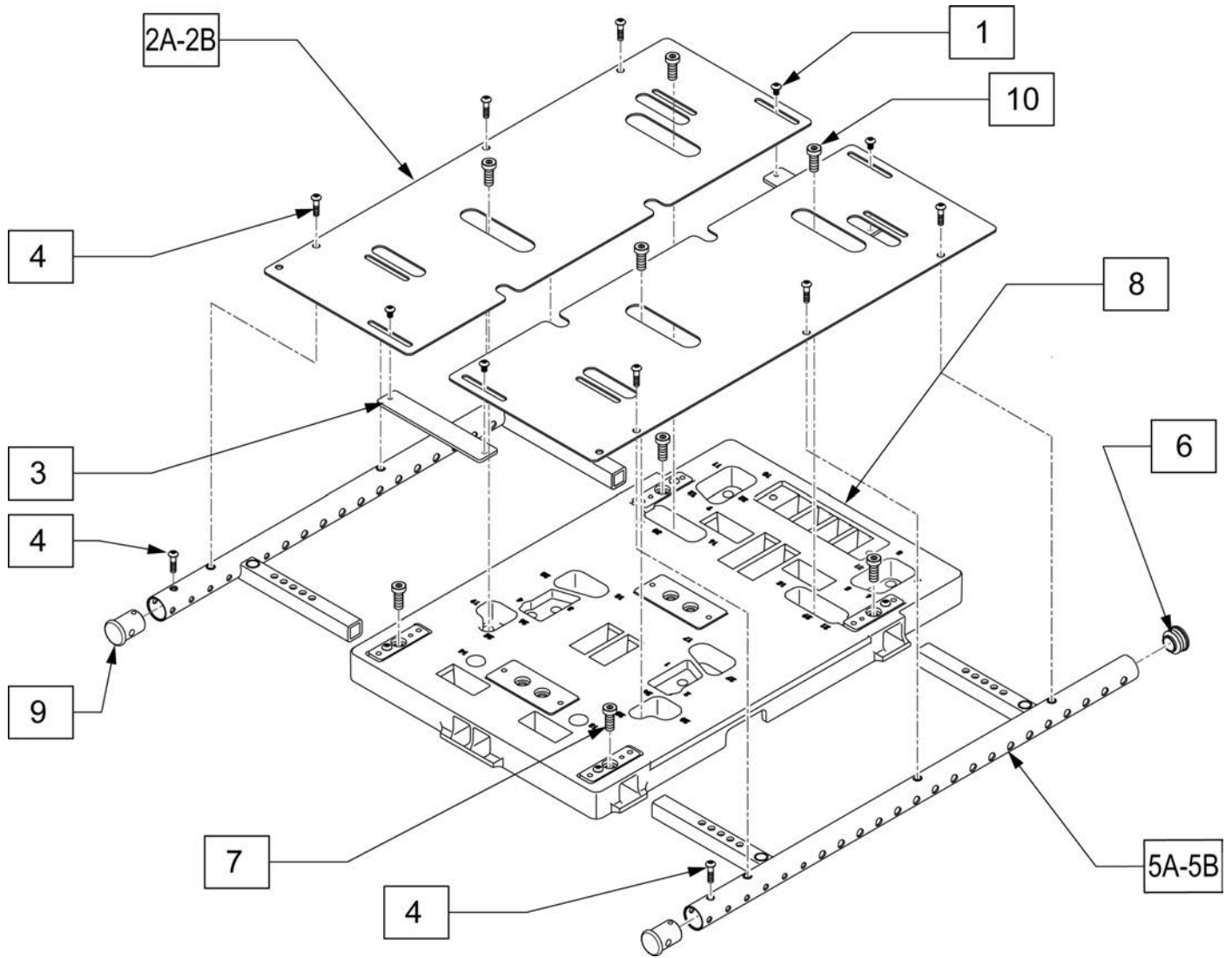
Pos.	Item Number	Description	Pos.	Item Number	Description
1,2	700352	SEAT CUSHION 14" X 17" X 2"	1,2	700772	SEAT CUSHION 18" X 21" X 2"
1,2	700362	SEAT CUSHION 14" X 18" X 2"	1,2	702114	SEAT CUSHION 18" X 22" X 2"
1,2	700372	SEAT CUSHION 14" X 19" X 2"	>>>>		19" WIDE SEAT CUSHION
1,2	700382	SEAT CUSHION 14" X 20" X 2"	1,2	700782	SEAT CUSHION 19" X 12" X 2"
1,2	700392	SEAT CUSHION 14" X 21" X 2"	1,2	700792	SEAT CUSHION 19" X 13" X 2"
1,2	702110	SEAT CUSHION 14" X 22" X 2"	1,2	700802	SEAT CUSHION 19" X 14" X 2"
>>>>		15" WIDE SEAT CUSHION	1,2	700812	SEAT CUSHION 19" X 15" X 2"
1,2	700398	SEAT CUSHION 15" X 11" X 2"	1,2	700822	SEAT CUSHION 19" X 16" X 2"
1,2	700402	SEAT CUSHION 15" X 12" X 2"	1,2	700832	SEAT CUSHION 19" X 17" X 2"
1,2	700412	SEAT CUSHION 15" X 13" X 2"	1,2	700842	SEAT CUSHION 19" X 18" X 2"
1,2	700422	SEAT CUSHION 15" X 14" X 2"	1,2	700852	SEAT CUSHION 19" X 19" X 2"
1,2	700432	SEAT CUSHION 15" X 15" X 2"	1,2	700862	SEAT CUSHION 19" X 20" X 2"
1,2	700442	SEAT CUSHION 15" X 16" X 2"	1,2	700872	SEAT CUSHION 19" X 21" X 2"
1,2	700452	SEAT CUSHION 15" X 17" X 2"	1,2	702115	SEAT CUSHION 19" X 22" X 2"
1,2	700462	SEAT CUSHION 15" X 18" X 2"	>>>>		20" WIDE SEAT CUSHION
1,2	700472	SEAT CUSHION 15" X 19" X 2"	1,2	700882	SEAT CUSHION 20" X 12" X 2"
1,2	700482	SEAT CUSHION 15" X 20" X 2"	1,2	700892	SEAT CUSHION 20" X 13" X 2"
1,2	700492	SEAT CUSHION 15" X 21" X 2"	1,2	700902	SEAT CUSHION 20" X 14" X 2"
1,2	702111	SEAT CUSHION 15" X 22" X 2"	1,2	700912	SEAT CUSHION 20" X 15" X 2"
>>>>		16" WIDE SEAT CUSHION	1,2	700922	SEAT CUSHION 20" X 16" X 2"
1,2	700498	SEAT CUSHION 16" X 11" X 2"	1,2	700932	SEAT CUSHION 20" X 17" X 2"
1,2	700502	SEAT CUSHION 16" X 12" X 2"	1,2	700942	SEAT CUSHION 20" X 18" X 2"
1,2	700512	SEAT CUSHION 16" X 13" X 2"	1,2	700952	SEAT CUSHION 20" X 19" X 2"
1,2	700522	SEAT CUSHION 16" X 14" X 2"	1,2	700962	SEAT CUSHION 20" X 20" X 2"
1,2	700532	SEAT CUSHION 16" X 15" X 2"	1,2	700972	SEAT CUSHION 20" X 21" X 2"
1,2	700542	SEAT CUSHION 16" X 16" X 2"	1,2	702116	SEAT CUSHION 20" X 22" X 2"
1,2	700552	SEAT CUSHION 16" X 17" X 2"	>>>>		21" WIDE SEAT CUSHION
1,2	700562	SEAT CUSHION 16" X 18" X 2"	1,2	702080	SEAT CUSHION 21" X 13" X 2"
1,2	700572	SEAT CUSHION 16" X 19" X 2"	1,2	702081	SEAT CUSHION 21" X 14" X 2"
1,2	700582	SEAT CUSHION 16" X 20" X 2"	1,2	702082	SEAT CUSHION 21" X 15" X 2"
1,2	700592	SEAT CUSHION 16" X 21" X 2"	1,2	702083	SEAT CUSHION 21" X 16" X 2"
1,2	702112	SEAT CUSHION 16" X 22" X 2"	1,2	702084	SEAT CUSHION 21" X 17" X 2"
>>>>		17" WIDE SEAT CUSHION	1,2	702085	SEAT CUSHION 21" X 18" X 2"
1,2	700585	SEAT CUSHION 17" X 11" X 2"	1,2	702086	SEAT CUSHION 21" X 19" X 2"
1,2	700606	SEAT CUSHION 17" X 12" X 2"	1,2	702087	SEAT CUSHION 21" X 20" X 2"
1,2	700597	SEAT CUSHION 17" X 13" X 2"	1,2	702088	SEAT CUSHION 21" X 21" X 2"
1,2	700602	SEAT CUSHION 17" X 14" X 2"	1,2	702089	SEAT CUSHION 21" X 22" X 2"
1,2	700606	SEAT CUSHION 17" X 12" X 2"	>>>>		22" WIDE SEAT CUSHION
1,2	700612	SEAT CUSHION 17" X 15" X 2"	1,2	702090	SEAT CUSHION 22" X 13" X 2"
1,2	700622	SEAT CUSHION 17" X 16" X 2"	1,2	702091	SEAT CUSHION 22" X 14" X 2"
1,2	700632	SEAT CUSHION 17" X 17" X 2"	1,2	702092	SEAT CUSHION 22" X 15" X 2"
1,2	700642	SEAT CUSHION 17" X 18" X 2"	1,2	702093	SEAT CUSHION 22" X 16" X 2"
1,2	700652	SEAT CUSHION 17" X 19" X 2"	1,2	702094	SEAT CUSHION 22" X 17" X 2"
1,2	700662	SEAT CUSHION 17" X 20" X 2"	1,2	702095	SEAT CUSHION 22" X 18" X 2"
1,2	700672	SEAT CUSHION 17" X 21" X 2"	1,2	702096	SEAT CUSHION 22" X 19" X 2"
1,2	702113	SEAT CUSHION 17" X 22" X 2"	1,2	702097	SEAT CUSHION 22" X 20" X 2"
>>>>		18" WIDE SEAT CUSHION	1,2	702098	SEAT CUSHION 22" X 21" X 2"
1,2	700682	SEAT CUSHION 18" X 12" X 2"	1,2	702117	SEAT CUSHION 22" X 22" X 2"
1,2	700692	SEAT CUSHION 18" X 13" X 2"	>>>>		24" WIDE SEAT CUSHION
1,2	700702	SEAT CUSHION 18" X 14" X 2"	1,2	702099	SEAT CUSHION 24" X 14" X 2
1,2	700712	SEAT CUSHION 18" X 15" X 2"	1,2	702100	SEAT CUSHION 24" X 15" X 2
1,2	700722	SEAT CUSHION 18" X 16" X 2"	1,2	702101	SEAT CUSHION 24" X 16" X 2
1,2	700732	SEAT CUSHION 18" X 17" X 2"	1,2	702102	SEAT CUSHION 24" X 17" X 2
1,2	700742	SEAT CUSHION 18" X 18" X 2"	1,2	702103	SEAT CUSHION 24" X 18" X 2
1,2	700752	SEAT CUSHION 18" X 19" X 2"	1,2	702104	SEAT CUSHION 24" X 19" X 2
1,2	700762	SEAT CUSHION 18" X 20" X 2"	1,2	702105	SEAT CUSHION 24" X 20" X 2"

Pos.	Item Number	Description	Pos.	Item Number	Description
1,2	702106	SEAT CUSHION 24" X 21" X 2"	1,2	702226	SEAT CUSHION 28" X 19" X 2"
1,2	702118	SEAT CUSHION 24" X 22" X 2"	1,2	702227	SEAT CUSHION 28" X 20" X 2"
>>>>		26" WIDE SEAT CUSHION	1,2	702228	SEAT CUSHION 28" X 21" X 2"
1,2	702220	SEAT CUSHION 26" X 18" X 2"	1,2	702229	SEAT CUSHION 28" X 22" X 2"
1,2	702221	SEAT CUSHION 26" X 19" X 2"	>>>>		30" WIDE SEAT CUSHION
1,2	702222	SEAT CUSHION 26" X 20" X 2"	1,2	702230	SEAT CUSHION 30" X 18" X 2"
1,2	702223	SEAT CUSHION 26" X 21" X 2"	1,2	702231	SEAT CUSHION 30" X 19" X 2"
1,2	702224	SEAT CUSHION 26" X 22" X 2"	1,2	702232	SEAT CUSHION 30" X 20" X 2"
>>>>		28" WIDE SEAT CUSHION	1,2	702233	SEAT CUSHION 30" X 21" X 2"
1,2	702225	SEAT CUSHION 28" X 18" X 2"	1,2	702234	SEAT CUSHION 30" X 22" X 2"



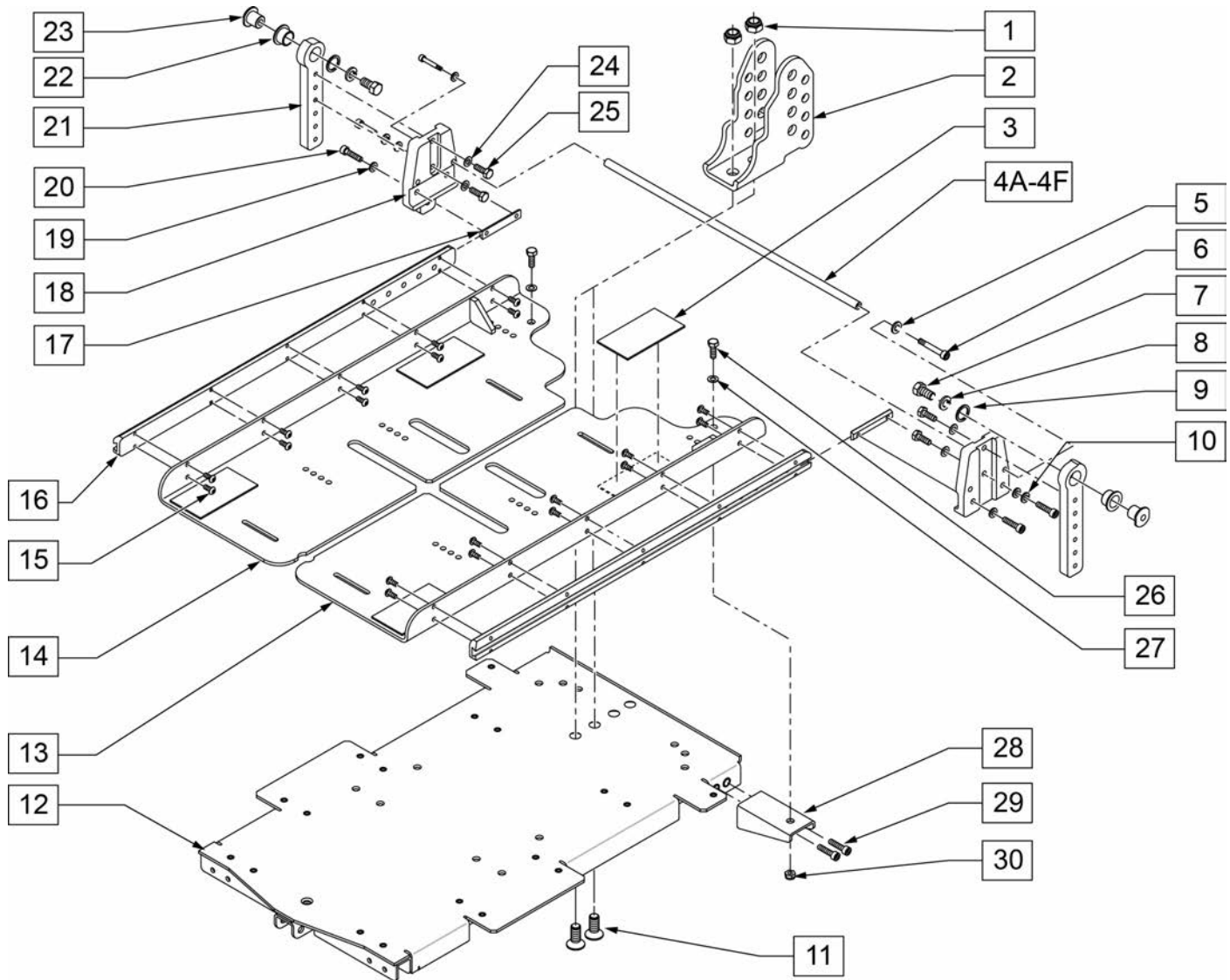
Pos.	Item Number	Description	Remarks
1	116576	SHCA, M8X1.25X20, FULL, NP	
3	118651	SIDE FRAME WELDMENT 12-16 L	Left, 12x12 thru 16x19
3	118771	SIDE FRAME WELDMENT 12-16 R	Right, 12x12 thru 16x19
4	561062	1" INSERT PLUG	
1-5	118658	SEAT FRAME 12-16	
1,5	119860	WIDTH FILLER RAIL KIT W/ HRDW	Pair- used with 16" woth only
6	119271	SHCS, M8X1.25X35, PF, NP	
7	230497	M5-.8 X 20 MM BH C/S	
8	118927	SEAT FRAME PLUG	Used w/ Center Mount Footrest

Note: For 24" wide seat frame, please contact Built For Me.



Pos.	Item Number	Description	Remarks
1	230015	BHCS M5 X.8 X8MM	
3	118593	SUPPORT SEAT PAN	
4	230497	M5-.8 X 20 MM BH C/S	
5A-6	119861	SD FRM W/ RV NT AND PLG 16-20R	Right-16x12 thru 20x20
5A-6	119862	SD FRM W/ RV NT AND PLG 16-20L	Left-16x12 thru 20x20
5B-6	119863	SD FRM W/ RV NT AND PLG 18-22R	Right-18x16 thru 22x22
5B-6	119864	SD FRM W/ RV NT AND PLG 18-22L	Left-18x16 thru 22x22
6	561062	1" INSERT PLUG	
7	116576	SHCS,M8X1.25X20,FULL,NP	
1-4,5A-8	118629	SEAT FRAME 16-20	16"-20" Seat Width
1-4,5B-8	118616	SEAT FRAME 18-22	18"-22" Seat Width- for PLS6 only
9	118927	SEAT FRAME PLUG	Used w/ Center Mount Footrest
10	117855	SHCS LOW HD M8X1.25X16 CLSS	Mounts Frame to Interface

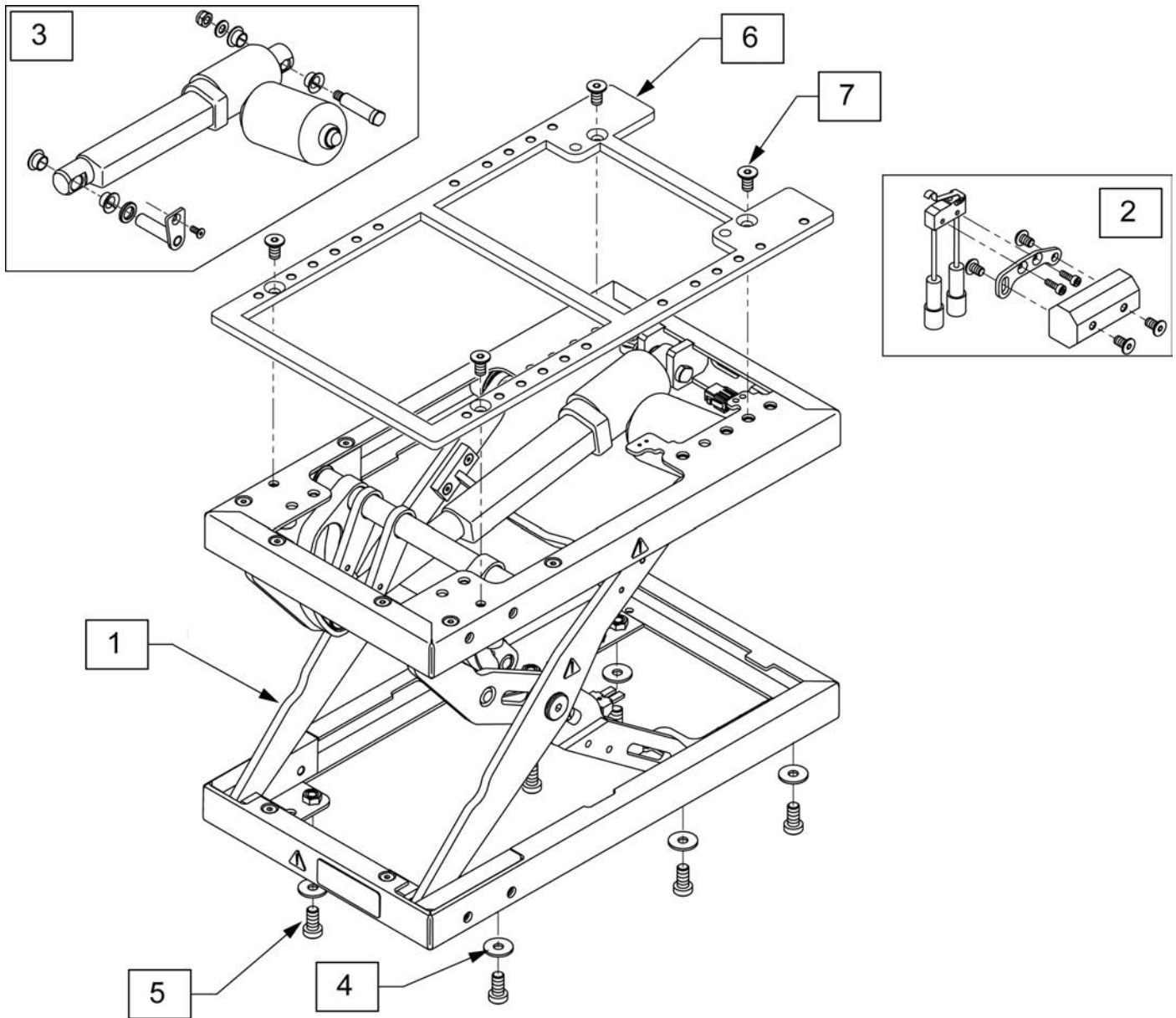
Note: On QM7 series fits chairs prior to S/N prefix QM710A, QM715A & QM720A.



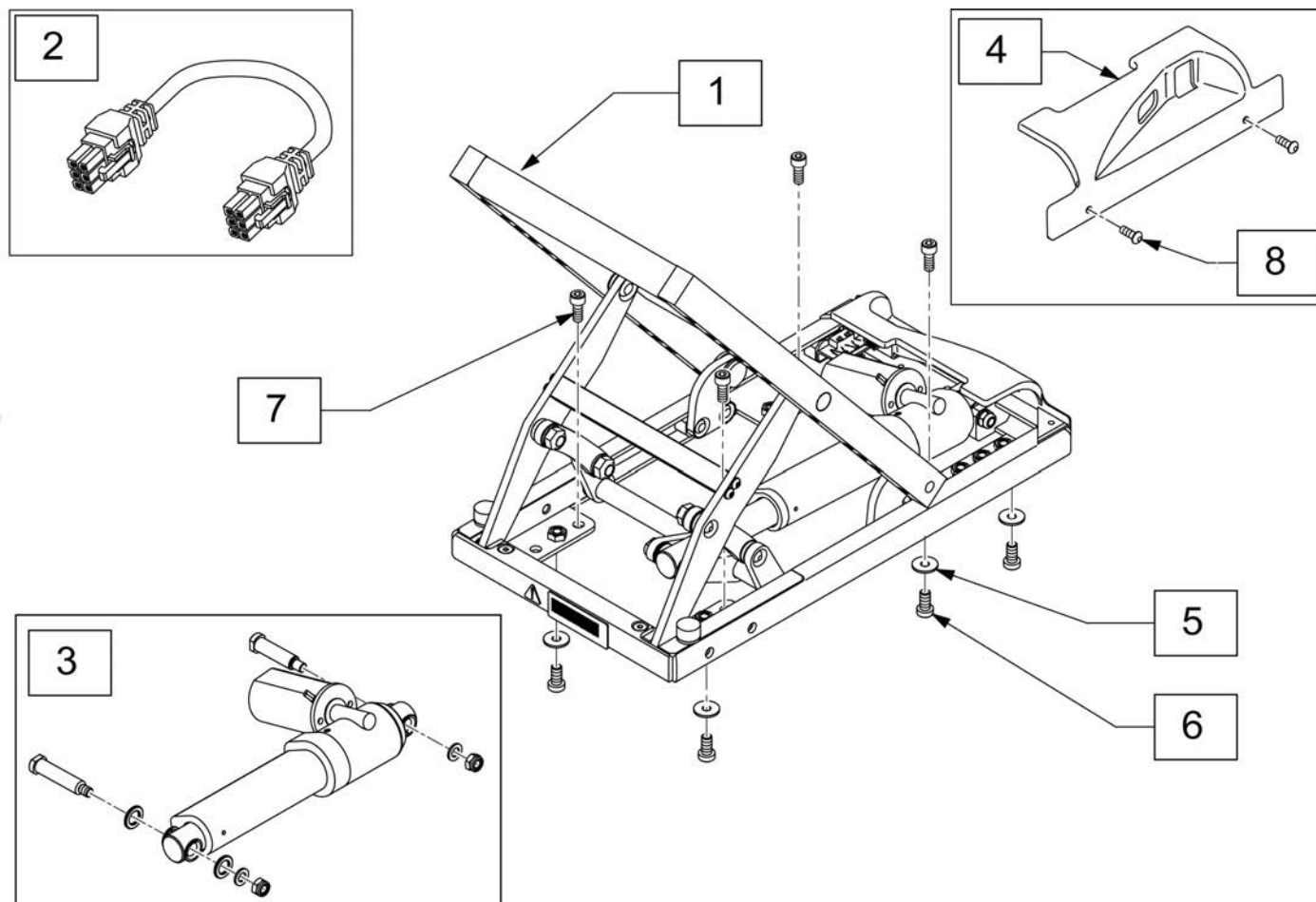
Pos.	Item Number	Description	Remarks	Pos.	Item Number	Description	Remarks
1	210074	M8 NUT NYLOCK BLK		9	103462	WASHER 21/32"ID X 27/32"OD	
2	102912	BRACKET REAR ADJ PIVOT		10	262133	WASHER LOCK M6	
3	011806-001	VELCRO 2 x 3		11	230129	FHCS M8 x 1.25 x 20 W/ PL	
4A	103194-001	CROSSBAR 16W	16" WIDE	12	102937	BASE SEAT PAN	
4B	103194-002	CROSSBAR 17W	17" WIDE	13	102922	WING SEAT PAN-LEFT	
4C	103194-003	CROSSBAR 18W	18" WIDE	14	102923	WING SEAT PAN-RIGHT	
4D	103194-004	CROSSBAR 19W	19" WIDE	15	102259-001	BHCS M5 x .8 x 12 W/PL INORG	
4E	103194-005	CROSSBAR 20W	20" WIDE	16	102915	DOVE TAIL CHANNEL	
4F	103194-006	CROSSBAR 22W	22" WIDE	17	102955	NUT CHANNEL M6 x 50.8	
5	250104	WASHER FLAT M6		18	102913	MOUNT REAR ADJ PIVOT	
6	102262-001	SHCS M6 x 1 x 8 W/ PL		19	250104	WASHER FLAT M6	
7	223120	3/8 16 X .625 HEX HD C/S W/ PATCH		20	221102	1/4-28 x 3/4 HEX C/S BLK W/ PAT	
8	262141	3/8 LOCK WASHER		21	117829	REAR PIVOT POST ADJ	



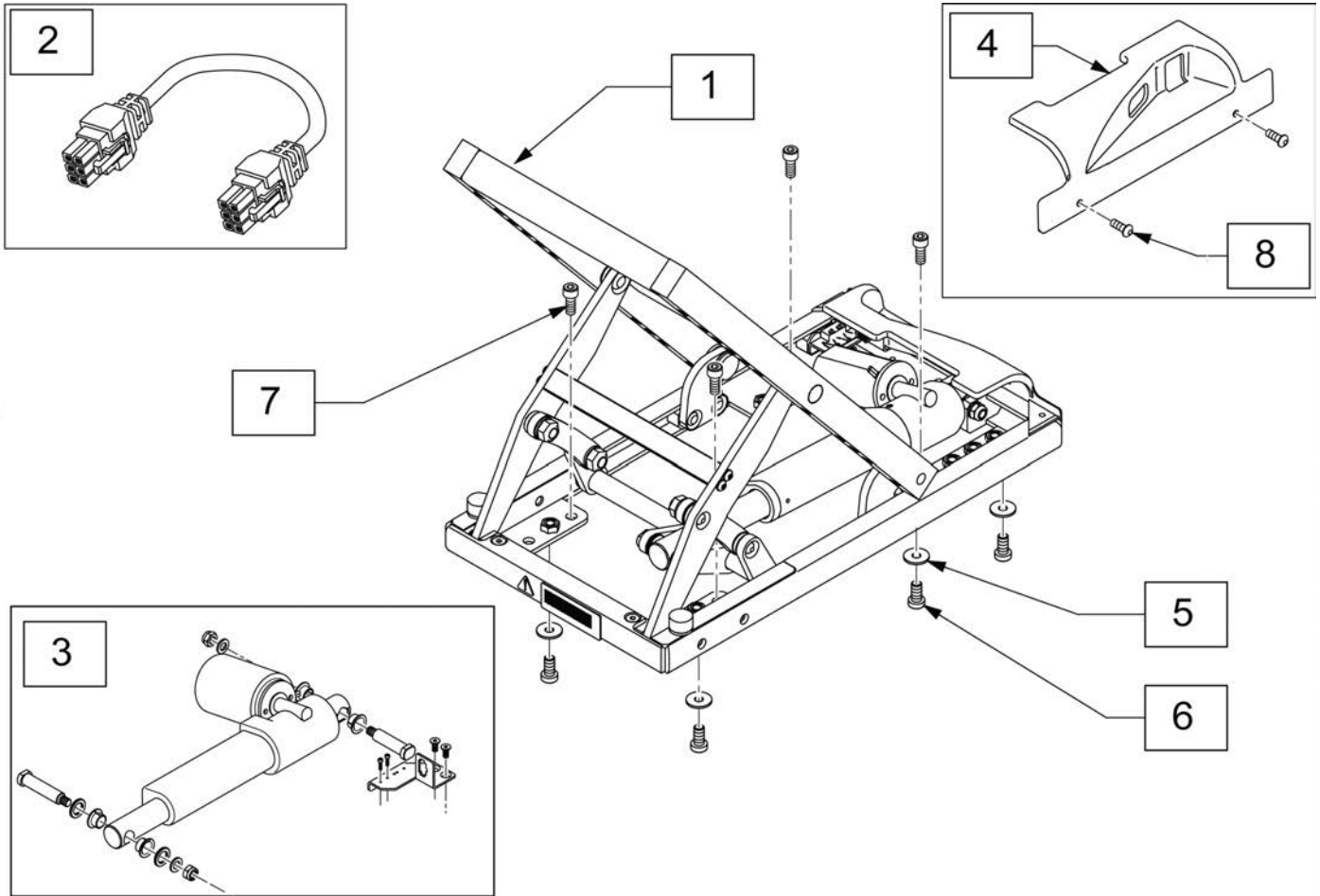
Pos.	Item Number	Description	Remarks	Pos.	Item Number	Description	Remarks
22	349595	BEARING INGUS 3/8 x 15/32 x1/2		27	011648	WASHER FLAT M8	
23	481466	REC PIVOT BOSS		28	102932	BRKT LEAF	
24	106943	WASHER FLAT AN 1/4 ROHS		29	102260-001	SHCS M5X0.8X18 FULL NP	
25	221102	1/4-28 x 3/4 HEX C/S BLK W/ PAT		30	210085	M8-20 HEX C/S	
26	234950	M8-20 HEX C/S					



Pos.	Item Number	Description	Remarks
1	120760	LIFT MODULE 9 IN MBL	
2	119917	REPLACEMENT LIMIT SWITCH LIFT	
3	119915	REPLACEMENT LIFT ACCUATOR	
4	117875	WASHER LARGE OD 8X24X2	
5	117855	SHCS LOW HD M8X1.25X16 CLSS	
6	116519	ADAPTER PLATE LIFT	Used with non-tilt chairs only
7	230129	FHCS M8 X 1.25 X 20 W/PL	Used with non-tilt chairs only
6,7	122711	ASAP ADAPTER W/ HDWR	Used with non-tilt chairs only



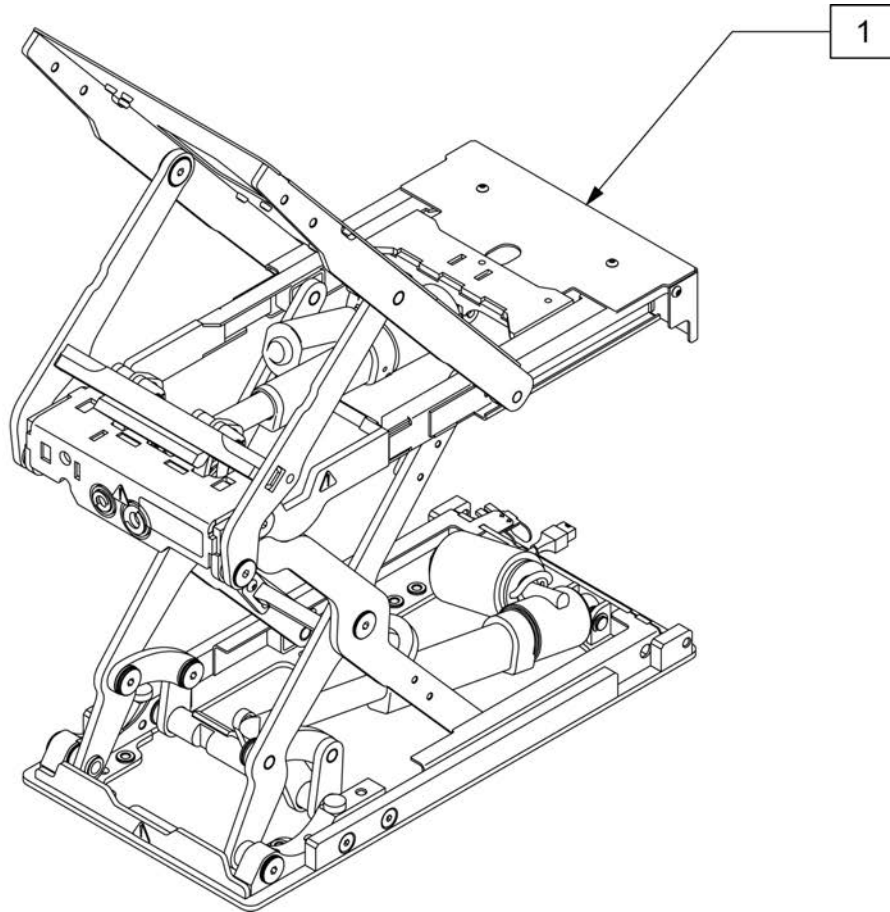
Pos.	Item Number	Description	Remarks
1	116474	MDL PWR TILT SPOT ADJ LIM 16DG	
2	020063-070	HARNESS DELPHI ACTUATOR 700mm	
3	106694	ACTUATOR KIT	Includes Micro Switch
4	118026	TILT MODULE SHROUD, REAR	
5	117875	WASHER LARGE OD 8X24X2	without Lift
6	117855	SHCS LOW HD M8X1.25X16 CLSS	with Lift n/a on Pulse
7	103221	SHCS M8 X 1.25 X 16W/PL INORG	
8	103184-003	BHCS M5X0.8X10 FULLPL	



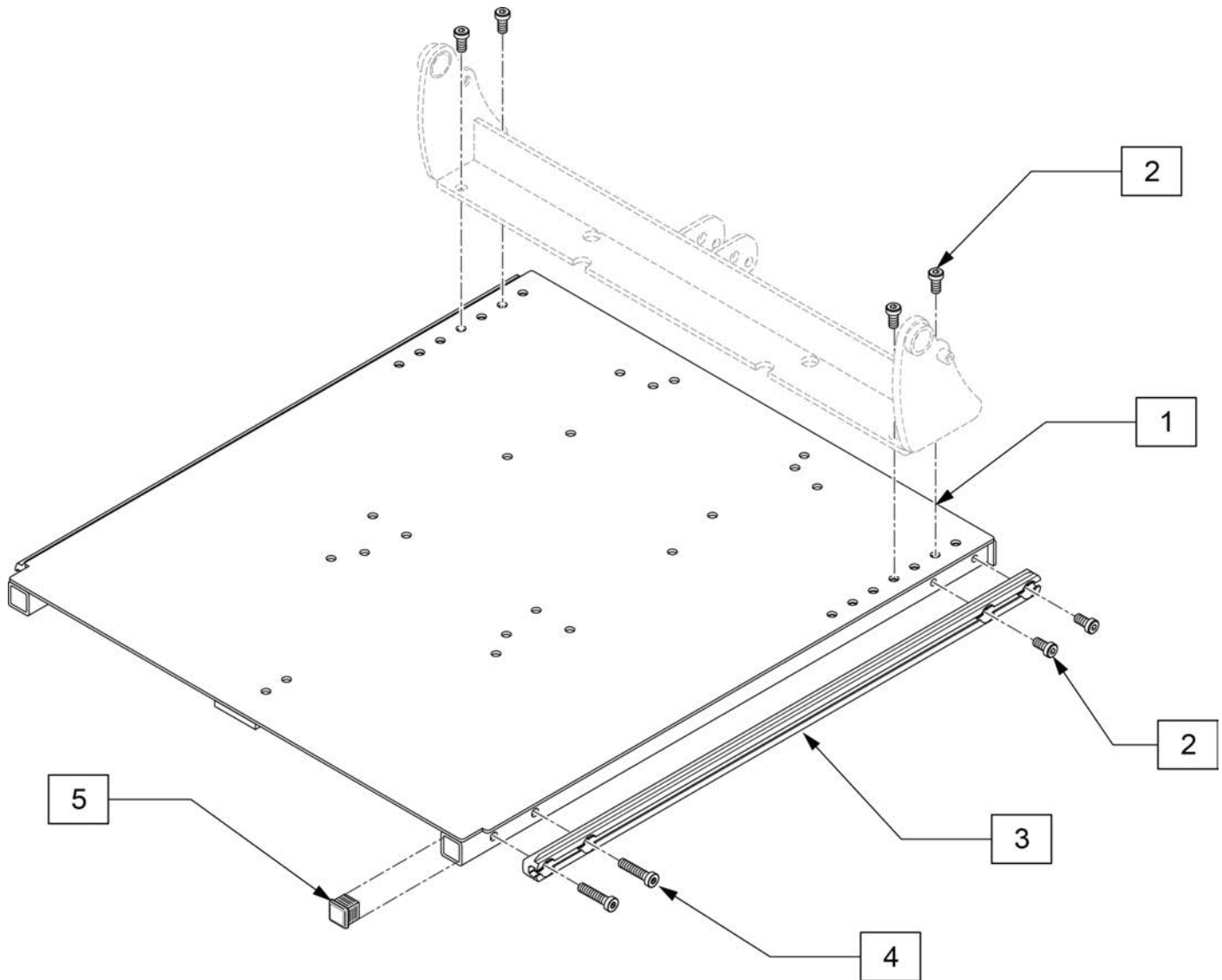
Pos.	Item Number	Description	Remarks
1	119303	HD POWER TILT ADJ LIMIT	
2	020063-070	HARNES DELPHI ACTUATOR 700mm	
3	120945	KIT TILT SPOT ADJ LIM ACT HD	
4	118026	TILT MODULE SHROUD, REAR	
5	117875	WASHER LARGE OD 8X24X2	without Lift
6	117855	SHCS LOW HD M8X1.25X16 CLSS	with Lift
7	103221	SHCS M8 X 1.25 X 16W/PL INORG	
8	103184-003	BHCS M5X0.8X10 FULLPL	

Note: See Lift Track Wiring Page for cable track parts.

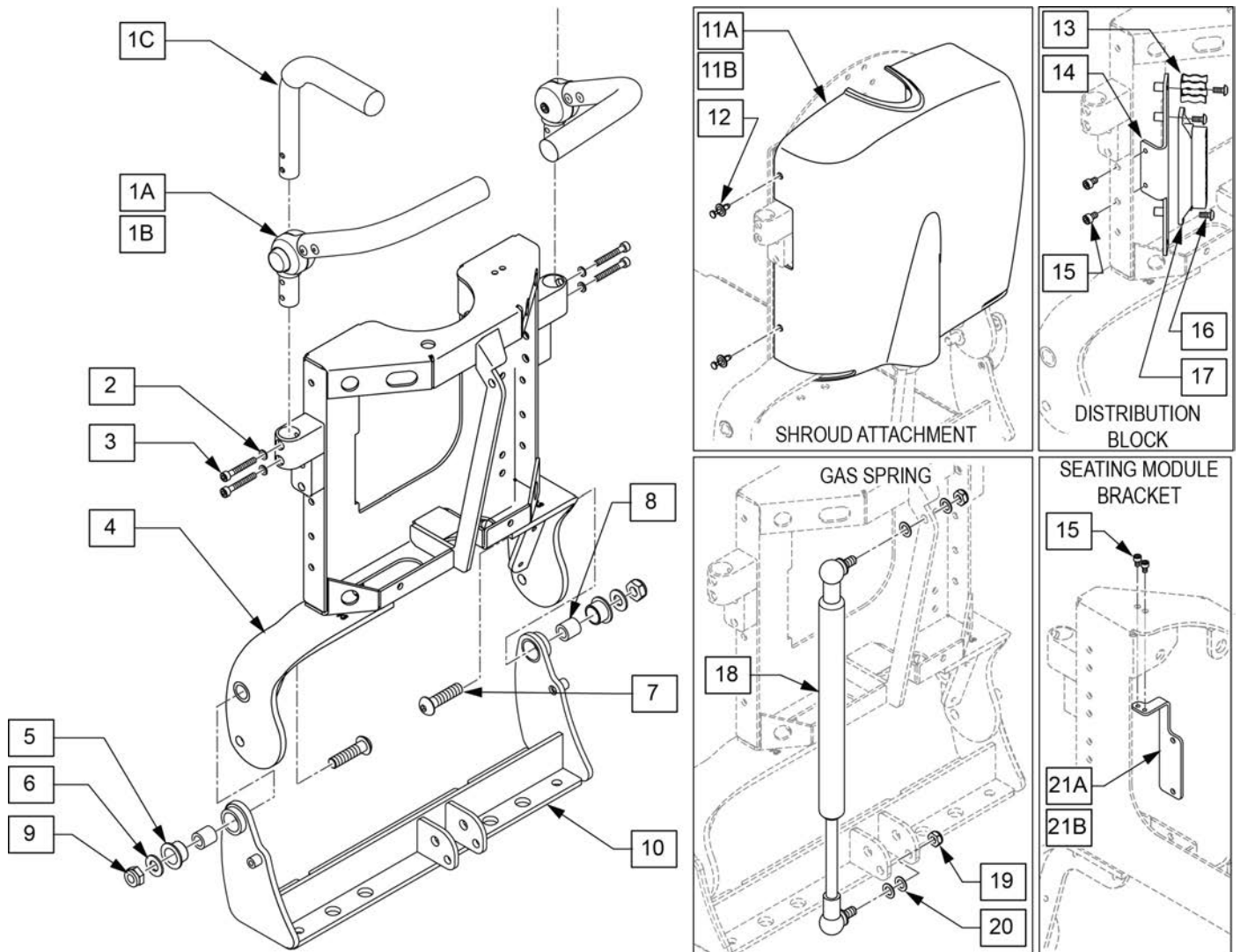
Note: Retro- Fit on chairs built after July 2013 only.



Pos.	Item Number	Description
1	123473	MDL PWR LIFT AND TILT COMBO



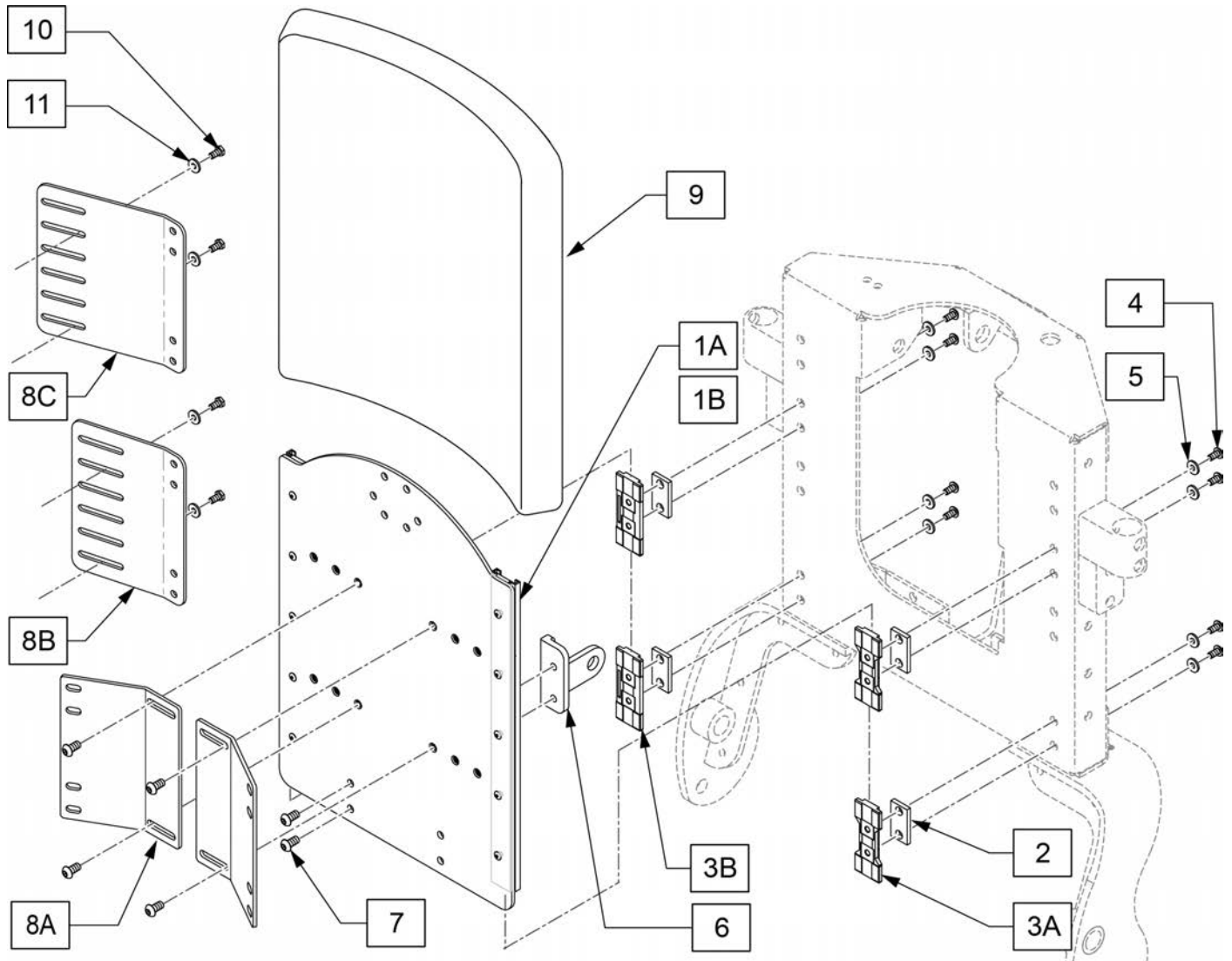
Pos.	Item Number	Description
1-4	125438	ASSY SEATPAN 14X20
1-4	125439	ASSY SEATPAN 16X20
1-4	125440	ASSY SEATPAN 18X20
1-4	125442	ASSY SEATPAN 20X20
1-4	125447	ASSY SEATPAN 22X20
1-4	125448	ASSY SEATPAN 18X22
1-4	125449	ASSYSEATPAN 20X22
1-4	125450	ASSY SEATPAN 22X22
2	117855	SHCS LOW HD M8X1.25X16, FULL,
4	119271	SHCS,M8X1.25X35 PF,NP
5	010615	SQUARE END CAP CNTR LEG SPprt
2-4	126118	SIDE TRACK W/ HDWR 20 DEEP
2-4	126119	SIDE TRACK W/ HDWR 22 DEEP



Pos.	Item Number	Description	Remarks
1A	126092	PUSH BAR ASSEMBLY ADJ LH	Left
1B	126093	PUSH BAR ASSEMBLY ADJ RH	Right
1C	123554	PUSH HANDLE ASSY	1 side
2	262132	WASHER, LOCK, M5	
3	102260-003	SHCS M5X0.8X35 PART NP	
4	122828	WLDMNT 14W CROSS BAR	
4	122829	WLDMNT 16W CROSS BAR	
4	122830	WLDMNT 18W CROSS BAR	
4	122831	WLDMNT 20W CROSS BAR	
4	122832	WLDMNT 22W CROSS BAR	
10	126121	CROSS BAR REC PIVOT W/ HDWR 14	
10	126122	CROSS BAR REC PIVOT W/ HDWR 16	
10	126123	CROSS BAR REC PIVOT W/ HDWR 18	
10	126124	CROSS BAR REC PIVOT W/ HDWR 20	
10	126206	CROSS BAR REC PIVOT W/ HDWR 22	
11A	122838	BACKREST SHROUD SMALL	
11B	123796	BACKREST SHROUD LARGE	
12	106091	PUSH PIN FASTNER PLSTC	

Pos.	Item Number	Description	Remarks
15	103042	SHCS M5X0.8X8 FULL PL	
16	102259-001	BHCS, M5X0.8X12, FULL,PL	
17	122856	DISTRIBUTION BLOCK BRACKET	
18	342088	GAS SPRING S626 T/R	
19	106937	NUT NYLOCK THIN 5/16-18 ROHS	
20	263100	5/16 AN WASHER FLAT	
21A	122837	ADAPTER BRACKET ISM	14-18 wide, mounts on right
21B	125426	ADAPTOR BRACKET ISM WIDE	20-22 wide, mounts on left
2,3,5-9	126128	RECLINE BACK ASSM HDWR KIT	
15,21	126126	SEATING MODULE BRKT W/ HDWR	
13-16	126125	DISTRIBUTION BLOCK BRKT W HDWR	14-18 wide, mounts on right/ 20-22 wide, mounts on left
18-20	126127	GAS SPRING W/ HDWR	

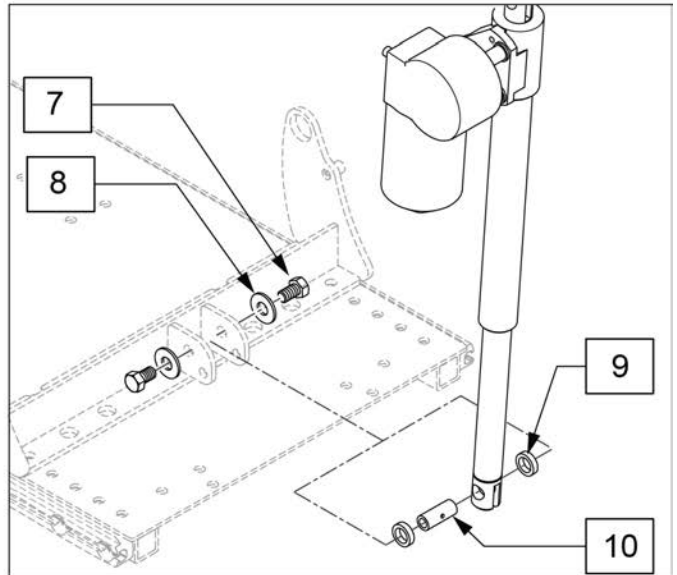
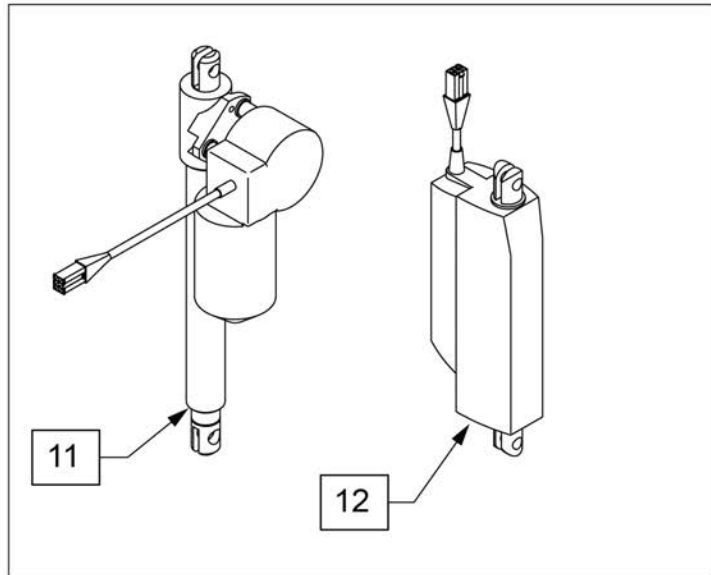
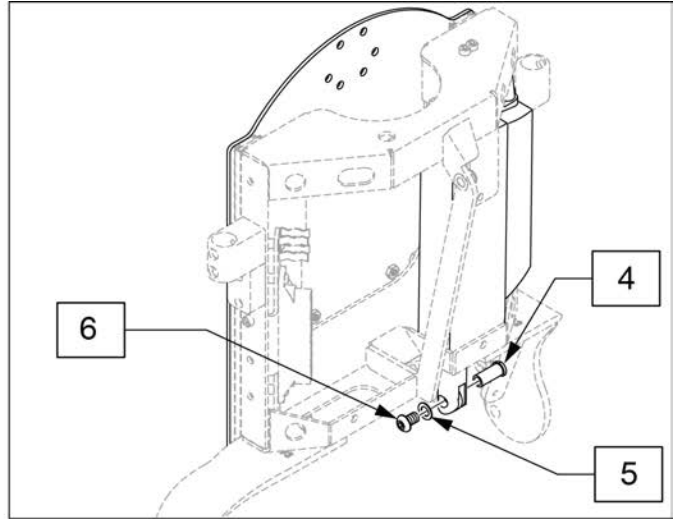
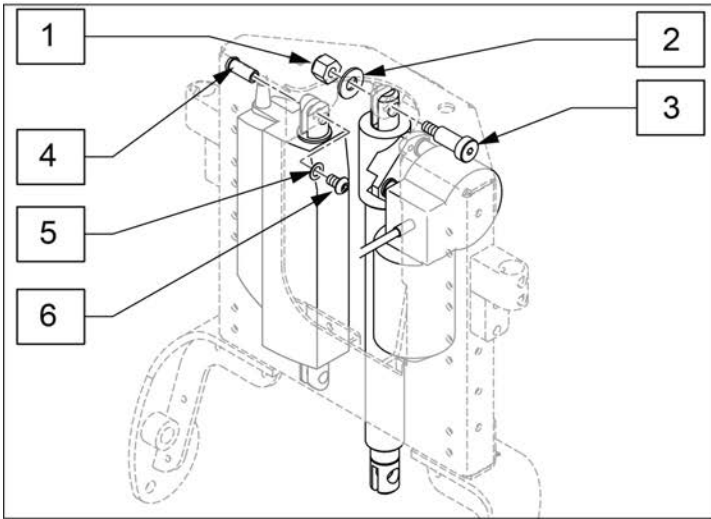




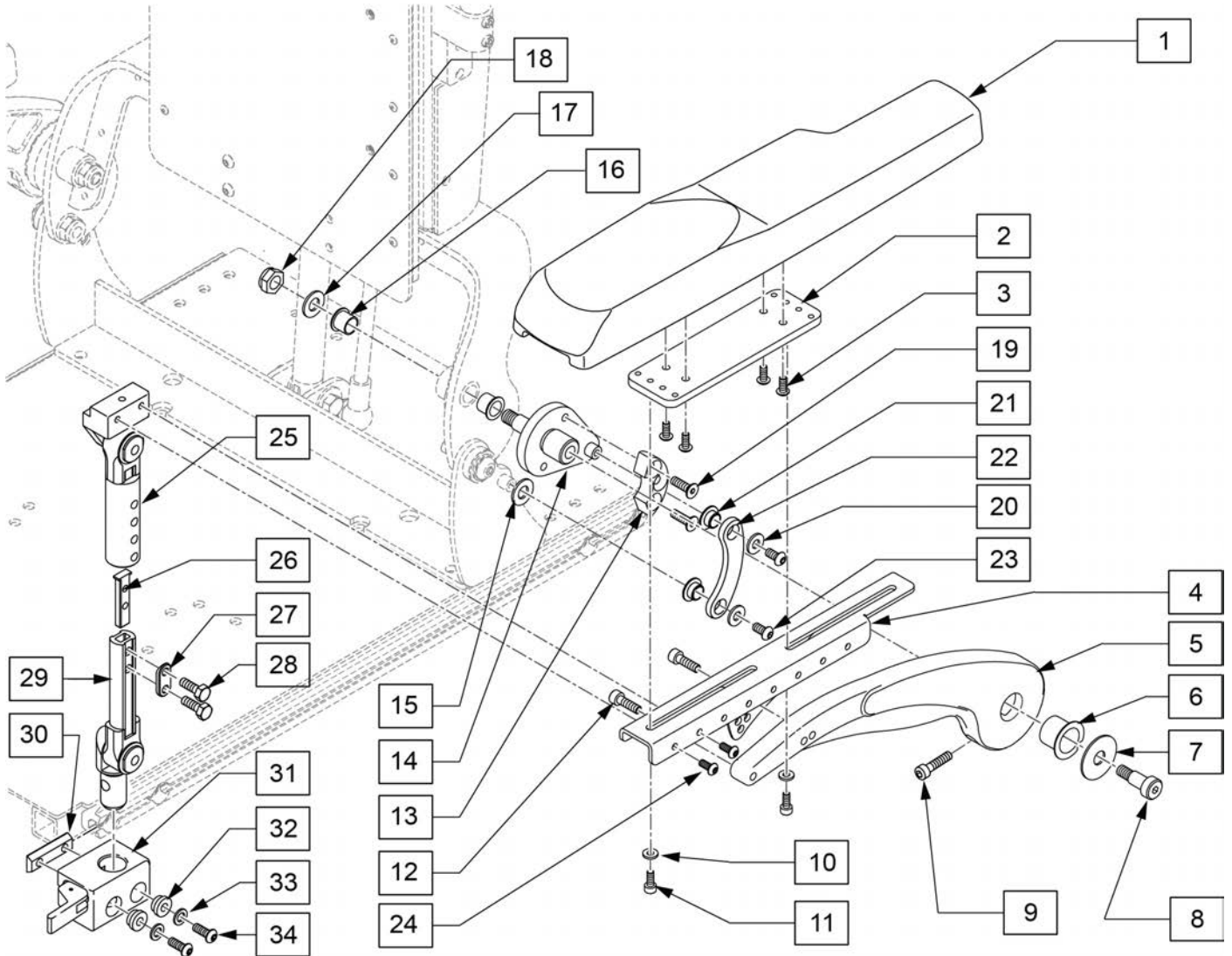
Pos.	Item Number	Description	Remarks
1A	125431	SOLID BCKRST PL NARROW ASSM	
1B	125432	SOLID BCKRST PL WIDE ASSM	
3A	125428	LINEAR SLIDER CARRIAGE W/NUT FLOATING	
3B	124611	LINEAR SLIDER CARRIAGE	
2	481471	GLIDE SPACER	
4	102257	BHCS,M4X0.7X8,FULL,NP	
5	267021	#6 WASHER FLAT	
6	122848	UPPER ACT CLEVIS MID SW	
7	103185-005	BHCS,M6X1X12,FULL,PL	
8A	122839	MOUNTING BRACKET STD BACKREST	Use with J3 Backs
8B	125332	MOUNTING BRACKET NARROW STD BACK	Use with Std Backs 14-18"
8C	125333	MOUNTING BRACKET WIDE STD BACK	Use with 20" -22" Backs
9	106361-043	BACK SUB ASSY STD 14X16	
9	106361-044	BACK SUB ASSY STD 14X18	
9	106361-045	BACK SUB ASSY STD 14X20	
9	106361-054	BACK SUB ASSY STD 16X16	
9	106361-001	BACK SUB ASSY STD 16X18	

Pos.	Item Number	Description	Remarks
9	106361-002	BACK SUB ASSY STD 16X20	
9	106361-057	BACK SUB ASSY STD 18X16	
9	106361-009	BACK SUB ASSY STD 18X18	
9	106361-010	BACK SUB ASSY STD 18X20	
9	106361-065	BACK SUB ASSY STD 20X16	
9	106361-066	BACK SUB ASSY STD 20X18	
9	106361-016	BACK SUB ASSY STD 20X20	
9	106361-060	BACK SUB ASSY STD 22X16	
9	106361-061	BACK SUB ASSY STD 22X18	
9	106361-062	BACK SUB ASSY STD 22X20	
10	220125	1/4-20 X .75 HHCS BLK W/PL	SPO Back only
11	106944	1/4 FLAT WASHER STEEL	SPO Back only

NOTE: IF RETROFITTING A TILT OR RECLINE ONTO AN EXISTING CHAIR PLEASE CONTACT SUNRISE MEDICAL TECHNICAL SUPPORT TO ENSURE ALL REQUIRED PARTS ARE PURCHASED.

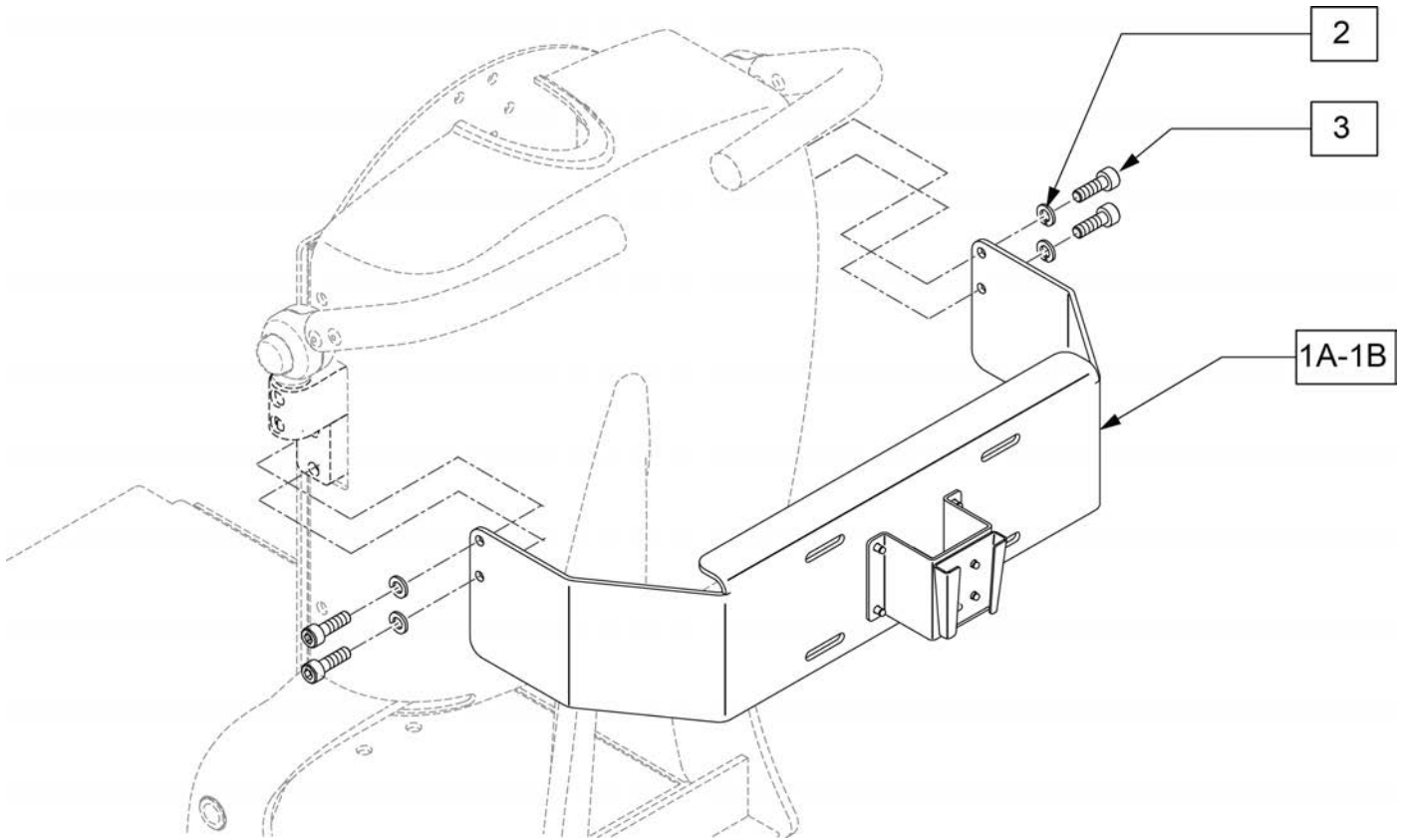


Pos.	Item Number	Description
1	201263	3/8-16 NYLOCK NUT BLK ZINC
2	263140	3/8 WASHER FLAT
3	341571	1/2" SHOULDER BOLT
4	505615	ACT LINK PIN
5	263100	5/16 AN WASHER FLAT
6	226236	5/16-18 X 1/2 B/H C/S BLK
7	223120	3/8-16X.625 HEX HD C/S W/PATCH
8	263140	3/8 WASHER FLAT
9	560030	REAR ACT THRUST WASHER
10	506033	LOWER RECLINE ACT PIVOT
11	108843	ACT LINAK LA-30-150 REED SWC
12	122836	ACT LINAK LA-12 0D CLVS 3.5"

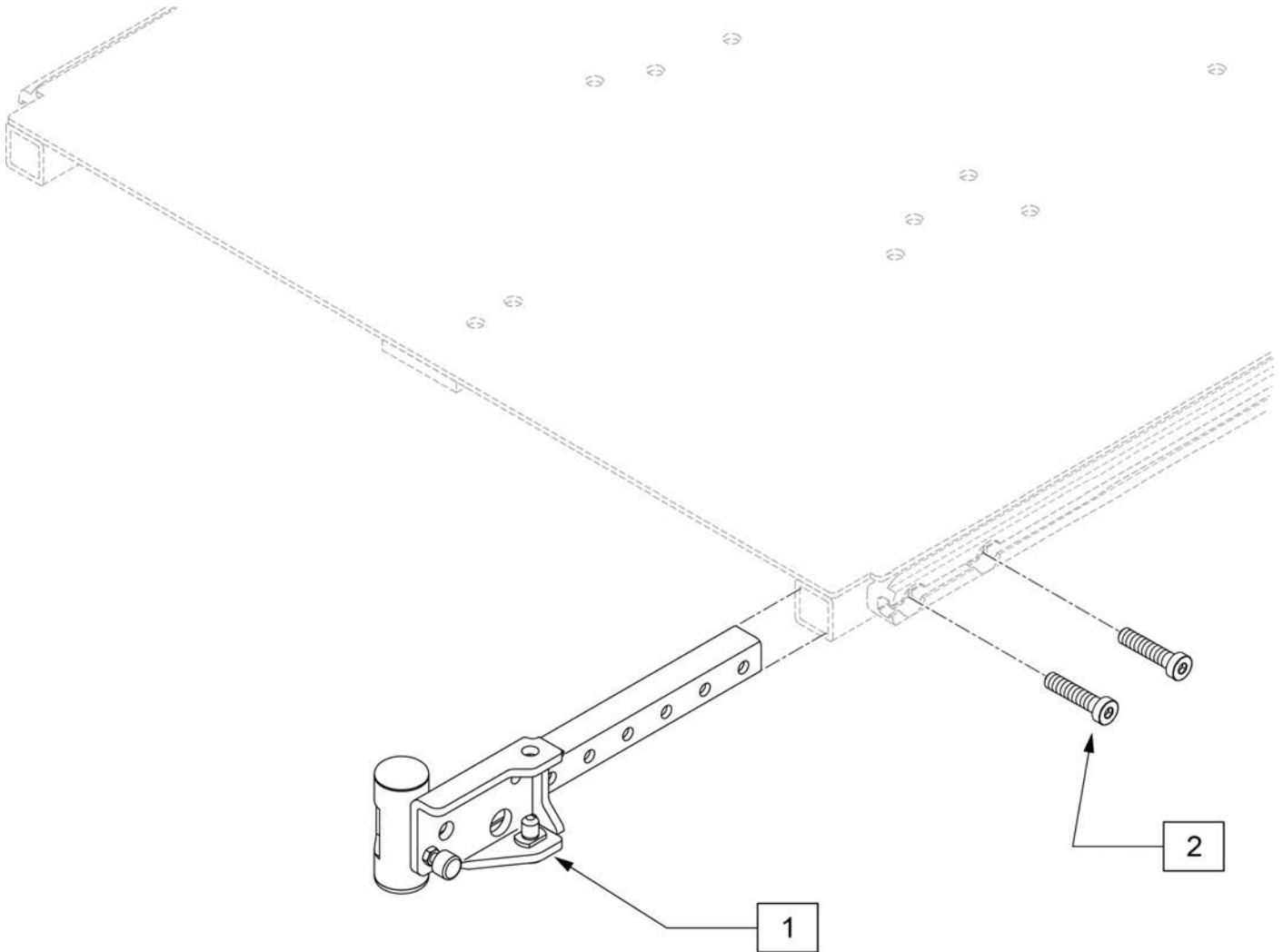


Pos.	Item Number	Description	Remarks
1	561186	ARM PAD PWR RCLN R	Right
1	561187	ARM PAD PWR RCLN L	Left
2	123371	BRACKET SIDE ADJ ARMREST	
3	103184-004	BHCS, M5X0.8X12, FULL,NP	
6	104469	MARCINAL LUB BRNG SF-1 2020	
8	011514-001	SHOULDER BOLT, 10X16 WITH PATCH	
10	103189-004	SHCS M5X0.8X12, FULL, NP	
11	455066-QU	#10 AN WASHER .063 SS	
12	102263-002	SHCS M6X1X20 FULL NP	
15	106948	WASHER FLAT SAE 3/8	
16	122758	BEARING BRONZE 12MM	
17	106948	WASHER FLAT SAE 3/8	
18	125522	NUT HEX NYLOCK M10 BLK	
19	102265-002	FHCS, M6X1X20, FULL, NP	
20	106945	WASHER FLAT SAE 1/4	
23	103185-005	BHCS,M6X1X12,FULL,PL	
24	102259-001	BHCS M5 X .8 X 12 W/PL INORG	

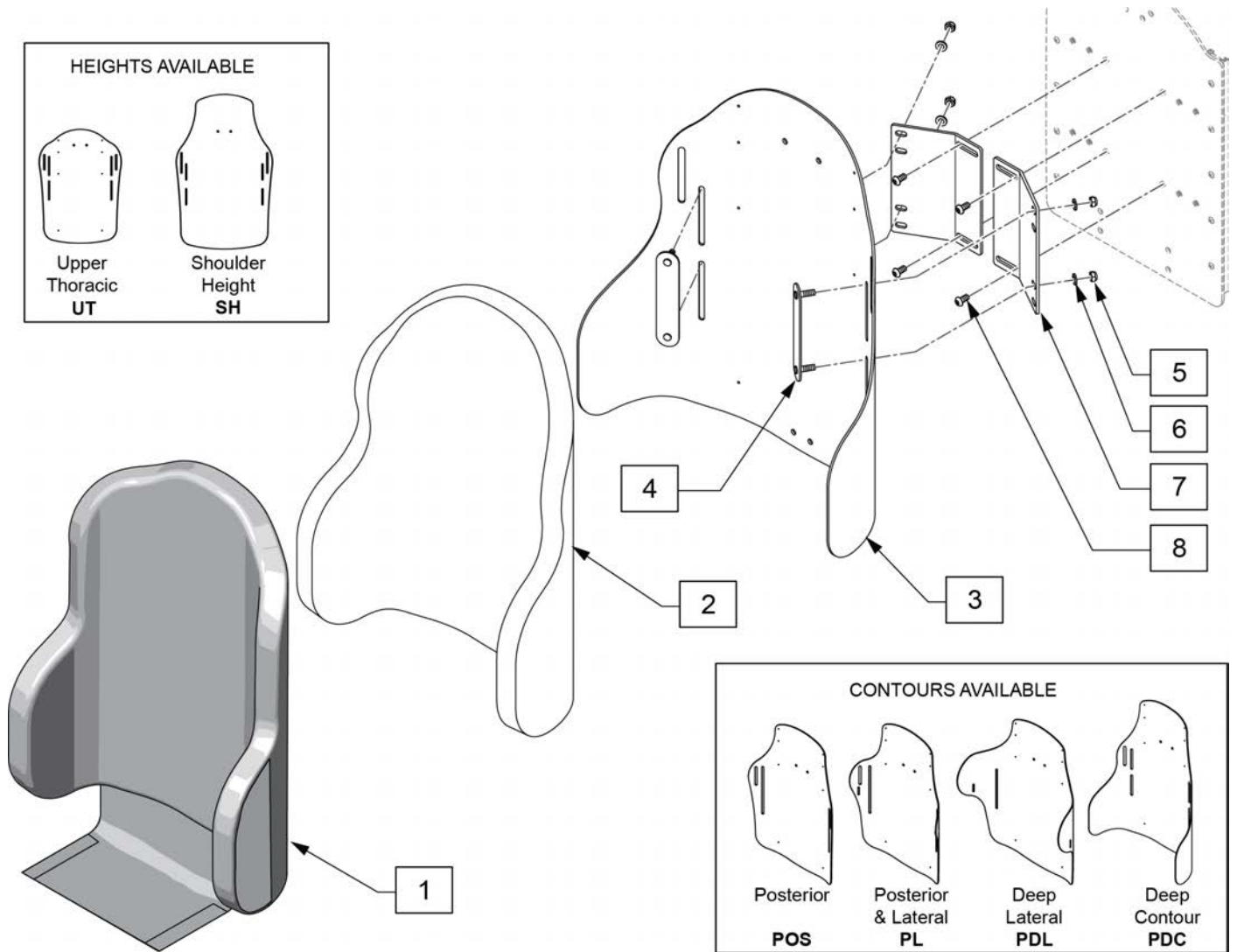
Pos.	Item Number	Description	Remarks
25-29	126184	2 PT POST ASSM 9-10 LEFT	
25-29	126185	2 PT POST ASSM 9-10 RIGHT	
25-29	126186	2 PT POST ASSM 11-12 LEFT	
25-29	126187	2 PT POST ASSM 11-12 RIGHT	
26	500078	INSERT D2 EXT TUBE	
28	221102	1/4-28 X 3/4 HEX C/S BLK W/PAT	
30	124427	CHANNEL NUT M6	
31	506366	UNIVRSL ARMRST RCVR ASSM R	
31	506367	UNIVRSL ARMRST RCVR ASSM LH	
32	340143	BUSHING .257IDx.25LG SST	
33	263100	5/16 AN WASHER FLAT	
34	230113	BHCS M6 X 1 X 12	
4-9,12-14	122952	CANTILEVER ARMREST L	
4-9,12-14	122953	CANTILEVER ARMREST R	
21-23	126648	ARMREST LINK KIT EACH	



Pos.	Item Number	Description
1A-3	126161	FIX VENT TRAY MNT ASSM NARROW
1B-3	126162	FIX VENT TRAY MNT ASSM WIDE
2	106945	WASHER FLAT SAE 1/4 ROHS
3	102263-005	SHCS, M6X1X20, FULL, PL



Pos.	Item Number	Description	Remarks
1	112532	LEGREST SWING-AWAY RETAINER ASSM	Pair
2	119271	SHCS,M8X1.25X35 PF,NP	
1,2	111449	LEGREST S/A RETAINER ASSM R	Right
1,2	111450	LEGREST S/A RETAINER ASSM L	Left



Pos.	Item Number	Description	Remarks
1	CJ3PAUTS14PR	CVR J3 BK POS UT STD 14W PR	posterior-upper thoracic
1	CJ3PAUTS16PR	CVR J3 BK POS UT STD 16W PR	posterior-upper thoracic
1	CJ3PAUTS18PR	CVR J3 BK POS UT STD 18W PR	posterior-upper thoracic
1	CJ3PAUTS20PR	CVR J3 BK POS UT STD 20W PR	posterior-upper thoracic
1	CJ3PAUTM14PR	CVR J3 BK POS UT MED 14W PR	posterior-upper thoracic
1	CJ3PAUTM16PR	CVR J3 BK POS UT MED 16W PR	posterior-upper thoracic
1	CJ3PAUTM18PR	CVR J3 BK POS UT MED 18W PR	posterior-upper thoracic
1	CJ3PAUTM20PR	CVR J3 BK POS UT MED 20W PR	posterior-upper thoracic
1	CJ3PAUTM22PR	CVR J3 BK POS UT MED 22W PR	posterior-upper thoracic
1	CJ3PAUTT14PR	CVR J3 BK POS UT TALL 14W PR	posterior-upper thoracic
1	CJ3PAUTT16PR	CVR J3 BK POS UT TALL 16W PR	posterior-upper thoracic
1	CJ3PAUTT18PR	CVR J3 BK POS UT TALL 18W PR	posterior-upper thoracic
1	CJ3PAUTT20PR	CVR J3 BK POS UT TALL 20W PR	posterior-upper thoracic
1	CJ3PASHS14PR	CVR J3 BK POS SH STD 14W PR	posterior-shoulder ht
1	CJ3PASHS16PR	CVR J3 BK POS SH STD 16W PR	posterior-shoulder ht
1	CJ3PASHS18PR	CVR J3 BK POS SH STD 18W PR	posterior-shoulder ht
1	CJ3PASHS20PR	CVR J3 BK POS SH STD 20W PR	posterior-shoulder ht
1	CJ3PASHS22PR	CVR J3 BK POS SH STD 22W PR	posterior-shoulder ht

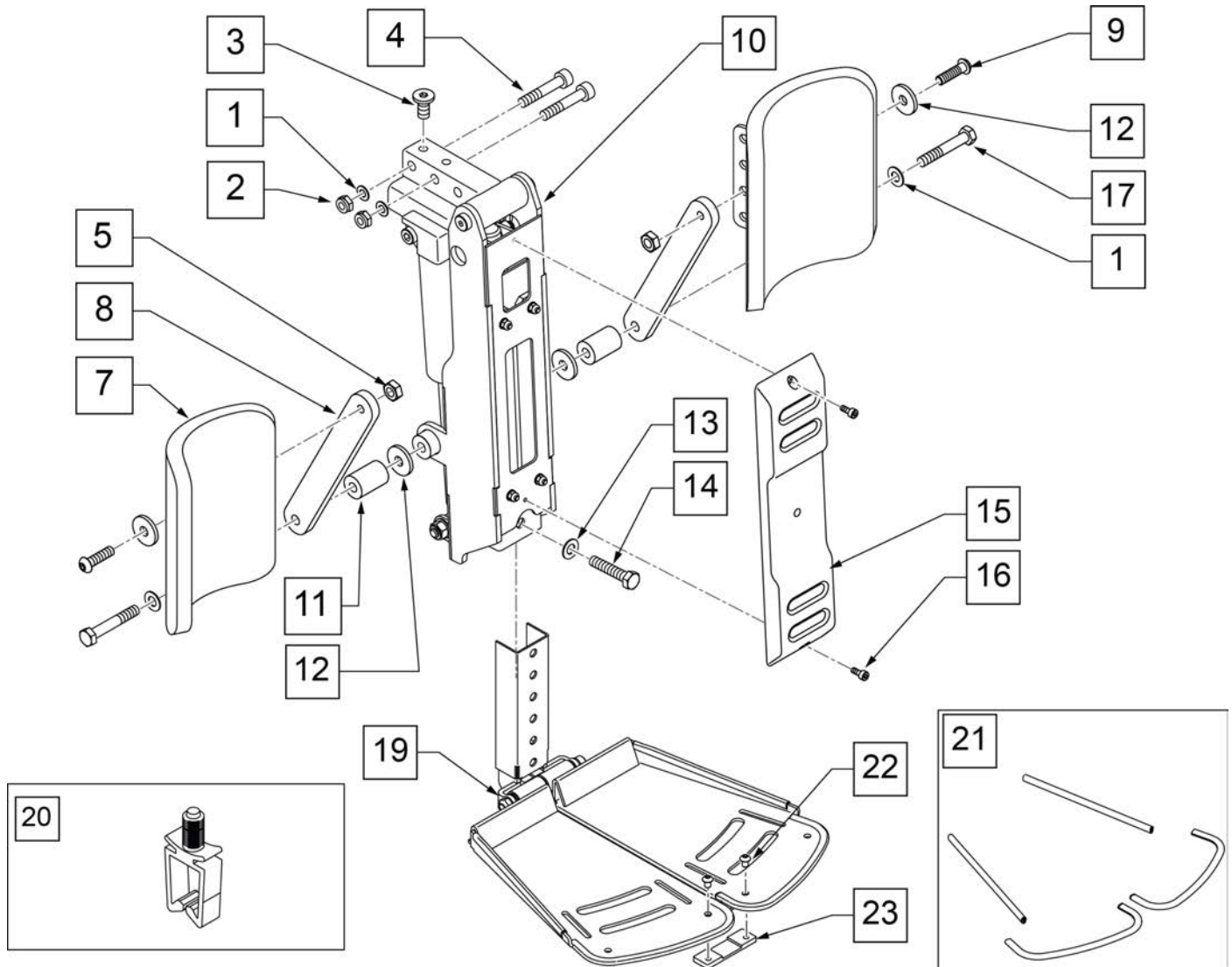


Pos.	Item Number	Description	Remarks
1	CJ3PLUTS14PR	CVR J3 BK PL UT STD 14W PR	posterior & lateral-upper thoracic
1	CJ3PLUTS16PR	CVR J3 BK PL UT STD 16W PR	posterior & lateral-upper thoracic
1	CJ3PLUTS18PR	CVR J3 BK PL UT STD 18W PR	posterior & lateral-upper thoracic
1	CJ3PLUTS20PR	CVR J3 BK PL UT STD 20W PR	posterior & lateral-upper thoracic
1	CJ3PLUTM14PR	CVR J3 BK PL UT MED 14W PR	posterior & lateral-upper thoracic
1	CJ3PLUTM16PR	CVR J3 BK PL UT MED 16W PR	posterior & lateral-upper thoracic
1	CJ3PLUTM18PR	CVR J3 BK PL UT MED 18W PR	posterior & lateral-upper thoracic
1	CJ3PLUTM20PR	CVR J3 BK PL UT MED 20W PR	posterior & lateral-upper thoracic
1	CJ3PLUTT14PR	CVR J3 BK PL UT TALL 14W PR	posterior & lateral-upper thoracic
1	CJ3PLUTT16PR	CVR J3 BK PL UT TALL 16W PR	posterior & lateral-upper thoracic
1	CJ3PLUTT18PR	CVR J3 BK PL UT TALL 18W PR	posterior & lateral-upper thoracic
1	CJ3PLUTT20PR	CVR J3 BK PL UT TALL 20W PR	posterior & lateral-upper thoracic
1	CJ3PLSHS14PR	CVR J3 BK PL SH STD 14W PR	posterior & lateral-shoulder ht
1	CJ3PLSHS16PR	CVR J3 BK PL SH STD 16W PR	posterior & lateral-shoulder ht
1	CJ3PLSHS18PR	CVR J3 BK PL SH STD 18W PR	posterior & lateral-shoulder ht
1	CJ3PLSHS20PR	CVR J3 BK PL SH STD 20W PR	posterior & lateral-shoulder ht
1	CJ3PDLUTS14PR	CVR J3 BK PDL UT STD 14W PR	deep lateral- upper thoracic
1	CJ3PDLUTS16PR	CVR J3 BK PDL UT STD 16W PR	deep lateral- upper thoracic
1	CJ3PDLUTS18PR	CVR J3 BK PDL UT STD 18W PR	deep lateral- upper thoracic
1	CJ3PDLUTS20PR	CVR J3 BK PDL UT STD 20W PR	deep lateral- upper thoracic
1	CJ3PDLUTM14PR	CVR J3 BK PDL UT MED 14W PR	deep lateral- upper thoracic
1	CJ3PDLUTM16PR	CVR J3 BK PDL UT MED 16W PR	deep lateral- upper thoracic
1	CJ3PDLUTM18PR	CVR J3 BK PDL UT MED 18W PR	deep lateral- upper thoracic
1	CJ3PDLUTM20PR	CVR J3 BK PDL UT MED 20W PR	deep lateral- upper thoracic
1	CJ3PDLUTT14PR	CVR J3 BK PDL UT TALL 14W PR	deep lateral- upper thoracic
1	CJ3PDLUTT16PR	CVR J3 BK PDL UT TALL 16W PR	deep lateral- upper thoracic
1	CJ3PDLUTT18PR	CVR J3 BK PDL UT TALL 18W PR	deep lateral- upper thoracic
1	CJ3PDLUTT20PR	CVR J3 BK PDL UT TALL 20W PR	deep lateral- upper thoracic
1	CJ3PDLSHS14PR	CVR J3 BK PDL SH STD 14W PR	deep lateral- shoulder ht
1	CJ3PDLSHS16PR	CVR J3 BK PDL SH STD 16W PR	deep lateral- shoulder ht
1	CJ3PDLSHS18PR	CVR J3 BK PDL SH STD 18W PR	deep lateral- shoulder ht
1	CJ3PDLSHS20PR	CVR J3 BK PDL SH STD 20W PR	deep lateral- shoulder ht
1	CJ3PDCUTM14PR	CVR J3 BK PDC UT MED 14W PR	deep contour- upper thoracic
1	CJ3PDCUTM16PR	CVR J3 BK PDC UT MED 16W PR	deep contour- upper thoracic
1	CJ3PDCUTM18PR	CVR J3 BK PDC UT MED 18W PR	deep contour- upper thoracic
1	CJ3PDCUTM20PR	CVR J3 BK PDC UT MED 20W PR	deep contour- upper thoracic
1	CJ3PDCSHS16PR	CVR J3 BK PDC SH STD 16W PR	deep contour- shoulder ht
1	CJ3PDCSHS18PR	CVR J3 BK PDC SH STD 18W PR	deep contour- shoulder ht
1	CJ3PDCSHS20PR	CVR J3 BK PDC SH STD 20W PR	deep contour- shoulder ht
2	BJ3PAUTS14PR	FOAM J3 BK POS UT STD 14W PR	posterior-upper thoracic
2	BJ3PAUTS16PR	FOAM J3 BK POS UT STD 16W PR	posterior-upper thoracic
2	BJ3PAUTS18PR	FOAM J3 BK POS UT STD 18W PR	posterior-upper thoracic
2	BJ3PAUTS20PR	FOAM J3 BK POS UT STD 20W PR	posterior-upper thoracic
2	BJ3PAUTM14PR	FOAM J3 BK POS UT MED 14W PR	posterior-upper thoracic
2	BJ3PAUTM16PR	FOAM J3 BK POS UT MED 16W PR	posterior-upper thoracic
2	BJ3PAUTM18PR	FOAM J3 BK POS UT MED 18W PR	posterior-upper thoracic
2	BJ3PAUTM20PR	FOAM J3 BK POS UT MED 20W PR	posterior-upper thoracic
2	BJ3PAUTM22PR	FOAM J3 BK POS UT MED 22W PR	posterior-upper thoracic
2	BJ3PAUTT14PR	FOAM J3 BK POS UT TALL 14W PR	posterior-upper thoracic
2	BJ3PAUTT16PR	FOAM J3 BK POS UT TALL 16W PR	posterior-upper thoracic
2	BJ3PAUTT18PR	FOAM J3 BK POS UT TALL 18W PR	posterior-upper thoracic
2	BJ3PAUTT20PR	FOAM J3 BK POS UT TALL 20W PR	posterior-upper thoracic
2	BJ3PASHS14PR	FOAM J3 BK POS SH STD 14W PR	posterior-shoulder ht
2	BJ3PASHS16PR	FOAM J3 BK POS SH STD 16W PR	posterior-shoulder ht
2	BJ3PASHS18PR	FOAM J3 BK POS SH STD 18W PR	posterior-shoulder ht
2	BJ3PASHS20PR	FOAM J3 BK POS SH STD 20W PR	posterior-shoulder ht

Pos.	Item Number	Description	Remarks
2	BJ3PASHS22PR	FOAM J3 BK POS SH STD 22W PR	posterior-shoulder ht
2	BJ3PLUTS14PR	FOAM J3 BK PL UT STD 14W PR	posterior & lateral-upper thoracic
2	BJ3PLUTS16PR	FOAM J3 BK PL UT STD 16W PR	posterior & lateral-upper thoracic
2	BJ3PLUTS18PR	FOAM J3 BK PL UT STD 18W PR	posterior & lateral-upper thoracic
2	BJ3PLUTS20PR	FOAM J3 BK PL UT STD 20W PR	posterior & lateral-upper thoracic
2	BJ3PLUTM14PR	FOAM J3 BK PL UT MED 14W PR	posterior & lateral-upper thoracic
2	BJ3PLUTM16PR	FOAM J3 BK PL UT MED 16W PR	posterior & lateral-upper thoracic
2	BJ3PLUTM18PR	FOAM J3 BK PL UT MED 18W PR	posterior & lateral-upper thoracic
2	BJ3PLUTM20PR	FOAM J3 BK PL UT MED 20W PR	posterior & lateral-upper thoracic
2	BJ3PLUTT14PR	FOAM J3 BK PL UT TALL 14W PR	posterior & lateral-upper thoracic
2	BJ3PLUTT16PR	FOAM J3 BK PL UT TALL 16W PR	posterior & lateral-upper thoracic
2	BJ3PLUTT18PR	FOAM J3 BK PL UT TALL 18W PR	posterior & lateral-upper thoracic
2	BJ3PLUTT20PR	FOAM J3 BK PL UT TALL 20W PR	posterior & lateral-upper thoracic
2	BJ3PLSHS14PR	FOAM J3 BK PL SH STD 14W PR	posterior & lateral-shoulder ht
2	BJ3PLSHS16PR	FOAM J3 BK PL SH STD 16W PR	posterior & lateral-shoulder ht
2	BJ3PLSHS18PR	FOAM J3 BK PL SH STD 18W PR	posterior & lateral-shoulder ht
2	BJ3PLSHS20PR	FOAM J3 BK PL SH STD 20W PR	posterior & lateral-shoulder ht
2	BJ3PDLUTS14PR	FOAM J3 BK PDL UT STD 14W PR	deep lateral- upper thoracic
2	BJ3PDLUTS16PR	FOAM J3 BK PDL UT STD 16W PR	deep lateral- upper thoracic
2	BJ3PDLUTS18PR	FOAM J3 BK PDL UT STD 18W PR	deep lateral- upper thoracic
2	BJ3PDLUTS20PR	FOAM J3 BK PDL UT STD 20W PR	deep lateral- upper thoracic
2	BJ3PDLUTM14PR	FOAM J3 BK PDL UT MED 14W PR	deep lateral- upper thoracic
2	BJ3PDLUTM16PR	FOAM J3 BK PDL UT MED 16W PR	deep lateral- upper thoracic
2	BJ3PDLUTM18PR	FOAM J3 BK PDL UT MED 18W PR	deep lateral- upper thoracic
2	BJ3PDLUTM20PR	FOAM J3 BK PDL UT MED 20W PR	deep lateral- upper thoracic
2	BJ3PDLUTT14PR	FOAM J3 BK PDL UT TALL 14W PR	deep lateral- upper thoracic
2	BJ3PDLUTT16PR	FOAM J3 BK PDL UT TALL 16W PR	deep lateral- upper thoracic
2	BJ3PDLUTT18PR	FOAM J3 BK PDL UT TALL 18W PR	deep lateral- upper thoracic
2	BJ3PDLUTT20PR	FOAM J3 BK PDL UT TALL 20W PR	deep lateral- upper thoracic
2	BJ3PDLSHS14PR	FOAM J3 BK PDL SH STD 14W PR	deep lateral- shoulder ht
2	BJ3PDLSHS16PR	FOAM J3 BK PDL SH STD 16W PR	deep lateral- shoulder ht
2	BJ3PDLSHS18PR	FOAM J3 BK PDL SH STD 18W PR	deep lateral- shoulder ht
2	BJ3PDLSHS20PR	FOAM J3 BK PDL SH STD 20W PR	deep lateral- shoulder ht
2	BJ3PDCUTM14PR	FOAM J3 BK PDC UT MED 14W PR	deep contour- upper thoracic
2	BJ3PDCUTM16PR	FOAM J3 BK PDC UT MED 16W PR	deep contour- upper thoracic
2	BJ3PDCUTM18PR	FOAM J3 BK PDC UT MED 18W PR	deep contour- upper thoracic
2	BJ3PDCUTM20PR	FOAM J3 BK PDC UT MED 20W PR	deep contour- upper thoracic
2	BJ3PDCSHS16PR	FOAM J3 BK PDC SH STD 16W PR	deep contour- shoulder ht
2	BJ3PDCSHS18PR	FOAM J3 BK PDC SH STD 18W PR	deep contour- shoulder ht
2	BJ3PDCSHS20PR	FOAM J3 BK PDC SH STD 20W PR	deep contour- shoulder ht
3	SJ3PAUTS14PR	SHELL J3 BK POS UT STD 14W PR	posterior-upper thoracic
3	SJ3PAUTS16PR	SHELL J3 BK POS UT STD 16W PR	posterior-upper thoracic
3	SJ3PAUTS18PR	SHELL J3 BK POS UT STD 18W PR	posterior-upper thoracic
3	SJ3PAUTS20PR	SHELL J3 BK POS UT STD 20W PR	posterior-upper thoracic
3	SJ3PAUTM14PR	SHELL J3 BK POS UT MED 14W PR	posterior-upper thoracic
3	SJ3PAUTM16PR	SHELL J3 BK POS UT MED 16W PR	posterior-upper thoracic
3	SJ3PAUTM18PR	SHELL J3 BK POS UT MED 18W PR	posterior-upper thoracic
3	SJ3PAUTM20PR	SHELL J3 BK POS UT MED 20W PR	posterior-upper thoracic
3	SJ3PAUTM22PR	SHELL J3 BK POS UT MED 22W PR	posterior-upper thoracic
3	SJ3PAUTT14PR	SHELL J3 BK POS UT TALL 14W PR	posterior-upper thoracic
3	SJ3PAUTT16PR	SHELL J3 BK POS UT TALL 16W PR	posterior-upper thoracic
3	SJ3PAUTT18PR	SHELL J3 BK POS UT TALL 18W PR	posterior-upper thoracic
3	SJ3PAUTT20PR	SHELL J3 BK POS UT TALL 20W PR	posterior-upper thoracic
3	SJ3PASHS14PR	SHELL J3 BK POS SH STD 14W PR	posterior-shoulder ht
3	SJ3PASHS16PR	SHELL J3 BK POS SH STD 16W PR	posterior-shoulder ht
3	SJ3PASHS18PR	SHELL J3 BK POS SH STD 18W PR	posterior-shoulder ht

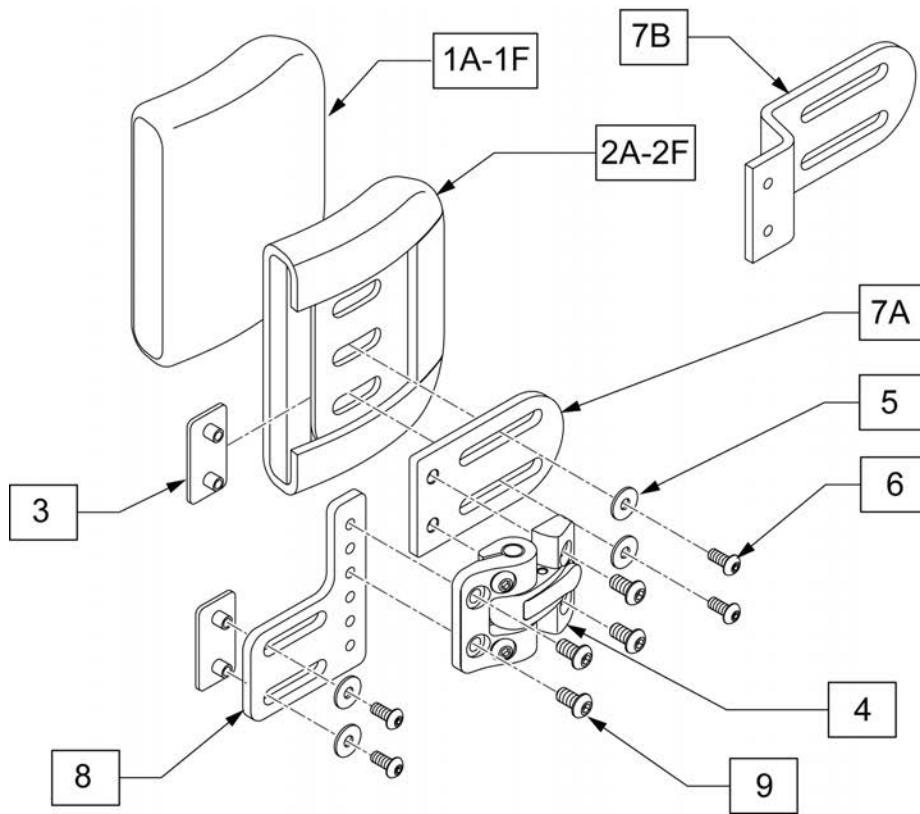
Pos.	Item Number	Description	Remarks
3	SJ3PASHS20PR	SHELL J3 BK POS SH STD 20W PR	posterior-shoulder ht
3	SJ3PASHS20PR	SHELL J3 BK POS SH STD 20W PR	posterior-shoulder ht
3	SJ3PLUTS14PR	SHELL J3 BK PL UT STD 14W PR	posterior & lateral-upper thoracic
3	SJ3PLUTS16PR	SHELL J3 BK PL UT STD 16W PR	posterior & lateral-upper thoracic
3	SJ3PLUTS18PR	SHELL J3 BK PL UT STD 18W PR	posterior & lateral-upper thoracic
3	SJ3PLUTS20PR	SHELL J3 BK PL UT STD 20W PR	posterior & lateral-upper thoracic
3	SJ3PLUTM14PR	SHELL J3 BK PL UT MED 14W PR	posterior & lateral-upper thoracic
3	SJ3PLUTM16PR	SHELL J3 BK PL UT MED 16W PR	posterior & lateral-upper thoracic
3	SJ3PLUTM18PR	SHELL J3 BK PL UT MED 18W PR	posterior & lateral-upper thoracic
3	SJ3PLUTM20PR	SHELL J3 BK PL UT MED 20W PR	posterior & lateral-upper thoracic
3	SJ3PLUTT14PR	SHELL J3 BK PL UT TALL 14W PR	posterior & lateral-upper thoracic
3	SJ3PLUTT16PR	SHELL J3 BK PL UT TALL 16W PR	posterior & lateral-upper thoracic
3	SJ3PLUTT18PR	SHELL J3 BK PL UT TALL 18W PR	posterior & lateral-upper thoracic
3	SJ3PLUTT20PR	SHELL J3 BK PL UT TALL 20W PR	posterior & lateral-upper thoracic
3	SJ3PLSHS14PR	SHELL J3 BK PL SH STD 14W PR	posterior & lateral-shoulder ht
3	SJ3PLSHS16PR	SHELL J3 BK PL SH STD 16W PR	posterior & lateral-shoulder ht
3	SJ3PLSHS18PR	SHELL J3 BK PL SH STD 18W PR	posterior & lateral-shoulder ht
3	SJ3PLSHS20PR	SHELL J3 BK PL SH STD 20W PR	posterior & lateral-shoulder ht
3	SJ3PDLUTS14PR	SHELL J3 BK PDL UT STD 14W PR	deep lateral- upper thoracic
3	SJ3PDLUTS16PR	SHELL J3 BK PDL UT STD 16W PR	deep lateral- upper thoracic
3	SJ3PDLUTS18PR	SHELL J3 BK PDL UT STD 18W PR	deep lateral- upper thoracic
3	SJ3PDLUTS20PR	SHELL J3 BK PDL UT STD 20W PR	deep lateral- upper thoracic
3	SJ3PDLUTM14PR	SHELL J3 BK PDL UT MED 14W PR	deep lateral- upper thoracic
3	SJ3PDLUTM16PR	SHELL J3 BK PDL UT MED 16W PR	deep lateral- upper thoracic
3	SJ3PDLUTM18PR	SHELL J3 BK PDL UT MED 18W PR	deep lateral- upper thoracic
3	SJ3PDLUTM20PR	SHELL J3 BK PDL UT MED 20W PR	deep lateral- upper thoracic
3	SJ3PDLUTT14PR	SHELL J3 BK PDL UT TALL 14W PR	deep lateral- upper thoracic
3	SJ3PDLUTT16PR	SHELL J3 BK PDL UT TALL 16W PR	deep lateral- upper thoracic
3	SJ3PDLUTT18PR	SHELL J3 BK PDL UT TALL 18W PR	deep lateral- upper thoracic
3	SJ3PDLUTT20PR	SHELL J3 BK PDL UT TALL 20W PR	deep lateral- upper thoracic
3	SJ3PDLSHS14PR	SHELL J3 BK PDL SH STD 14W PR	deep lateral- shoulder ht
3	SJ3PDLSHS16PR	SHELL J3 BK PDL SH STD 16W PR	deep lateral- shoulder ht
3	SJ3PDLSHS18PR	SHELL J3 BK PDL SH STD 18W PR	deep lateral- shoulder ht
3	SJ3PDLSHS20PR	SHELL J3 BK PDL SH STD 20W PR	deep lateral- shoulder ht
3	SJ3PDCUTM14PR	SHELL J3 BK PDC UT MED 14W PR	deep contour- upper thoracic
3	SJ3PDCUTM16PR	SHELL J3 BK PDC UT MED 16W PR	deep contour- upper thoracic
3	SJ3PDCUTM18PR	SHELL J3 BK PDC UT MED 18W PR	deep contour- upper thoracic
3	SJ3PDCUTM20PR	SHELL J3 BK PDC UT MED 20W PR	deep contour- upper thoracic
3	SJ3PDCSHS16PR	SHELL J3 BK PDC SH STD 16W PR	deep contour- shoulder ht
3	SJ3PDCSHS18PR	SHELL J3 BK PDC SH STD 18W PR	deep contour- shoulder ht
3	SJ3PDCSHS20PR	SHELL J3 BK PDC SH STD 20W PR	deep contour- shoulder ht
1-6	J3PAUTS14PR	J3 BK POS UT STD 14W PR	
1-6	J3PAUTS16PR	J3 BK POS UT STD 16W PR	
1-6	J3PAUTS18PR	J3 BK POS UT STD 18W PR	
1-6	J3PAUTS20PR	J3 BK POS UT STD 20W PR	
1-6	J3PAUTM14PR	J3 BK POS UT MED 14W PR	
1-6	J3PAUTM16PR	J3 BK POS UT MED 16W PR	
1-6	J3PAUTM18PR	J3 BK POS UT MED 18W PR	
1-6	J3PAUTM20PR	J3 BK POS UT MED 20W PR	
1-6	J3PAUTM22PR	J3 BK POS UT MED 22W PR	
1-6	J3PAUTT14PR	J3 BK POS UT TALL 14W PR	
1-6	J3PAUTT16PR	J3 BK POS UT TALL 16W PR	
1-6	J3PAUTT18PR	J3 BK POS UT TALL 18W PR	
1-6	J3PAUTT20PR	J3 BK POS UT TALL 20W PR	
1-6	J3PASHS14PR	J3 BK POS SH STD 14W PR	
1-6	J3PASHS16PR	J3 BK POS SH STD 16W PR	

Pos.	Item Number	Description	Remarks
1-6	J3PASHS18PR	J3 BK POS SH STD 18W PR	
1-6	J3PASHS20PR	J3 BK POS SH STD 20W PR	
1-6	J3PASHS22PR	J3 BK POS SH STD 22W PR	
1-6	J3PLUTS14PR	J3 BK PL UT STD 14W PR	
1-6	J3PLUTS16PR	J3 BK PL UT STD 16W PR	
1-6	J3PLUTS18PR	J3 BK PL UT STD 18W PR	
1-6	J3PLUTS20PR	J3 BK PL UT STD 20W PR	
1-6	J3PLUTM14PR	J3 BK PL UT MED 14W PR	
1-6	J3PLUTM16PR	J3 BK PL UT MED 16W PR	
1-6	J3PLUTM18PR	J3 BK PL UT MED 18W PR	
1-6	J3PLUTM20PR	J3 BK PL UT MED 20W PR	
1-6	J3PLUTT14PR	J3 BK PL UT TALL 14W PR	
1-6	J3PLUTT16PR	J3 BK PL UT TALL 16W PR	
1-6	J3PLUTT18PR	J3 BK PL UT TALL 18W PR	
1-6	J3PLUTT20PR	J3 BK PL UT TALL 20W PR	
1-6	J3PLSHS14PR	J3 BK PL SH STD 14W PR	
1-6	J3PLSHS16PR	J3 BK PL SH STD 16W PR	
1-6	J3PLSHS18PR	J3 BK PL SH STD 18W PR	
1-6	J3PLSHS20PR	J3 BK PL SH STD 20W PR	
1-6	J3PDLUTS14PR	J3 BK PDL UT STD 14W PR	
1-6	J3PDLUTS16PR	J3 BK PDL UT STD 16W PR	
1-6	J3PDLUTS18PR	J3 BK PDL UT STD 18W PR	
1-6	J3PDLUTS20PR	J3 BK PDL UT STD 20W PR	
1-6	J3PDLUTM14PR	J3 BK PDL UT MED 14W PR	
1-6	J3PDLUTM16PR	J3 BK PDL UT MED 16W PR	
1-6	J3PDLUTM18PR	J3 BK PDL UT MED 18W PR	
1-6	J3PDLUTM20PR	J3 BK PDL UT MED 20W PR	
1-6	J3PDLUTT14PR	J3 BK PDL UT TALL 14W PR	
1-6	J3PDLUTT16PR	J3 BK PDL UT TALL 16W PR	
1-6	J3PDLUTT18PR	J3 BK PDL UT TALL 18W PR	
1-6	J3PDLUTT20PR	J3 BK PDL UT TALL 20W PR	
1-6	J3PDLSHS14PR	J3 BK PDL SH STD 14W PR	
1-6	J3PDLSHS16PR	J3 BK PDL SH STD 16W PR	
1-6	J3PDLSHS18PR	J3 BK PDL SH STD 18W PR	
1-6	J3PDLSHS20PR	J3 BK PDL SH STD 20W PR	
1-6	J3PDCUTM14PR	J3 BK PDC UT MED 14W PR	
1-6	J3PDCUTM16PR	J3 BK PDC UT MED 16W PR	
1-6	J3PDCUTM18PR	J3 BK PDC UT MED 18W PR	
1-6	J3PDCUTM20PR	J3 BK PDC UT MED 20W PR	
1-6	J3PDCSHS16PR	J3 BK PDC SH STD 16W PR	
1-6	J3PDCSHS18PR	J3 BK PDC SH STD 18W PR	
1-6	J3PDCSHS20PR	J3 BK PDC SH STD 20W PR	
7	122839	MOUNTING BRACKET STD BACKREST	
8	103185-005	BHCS,M6X1X12,FULL,PL	
4-6	126895	J3BK NUT PLATE KIT	Pair-2 Plates, 4 washers, 4 nuts
7,8	126894	J3 BK MOUNTING KIT	Pair-2 Plates, 4 screws

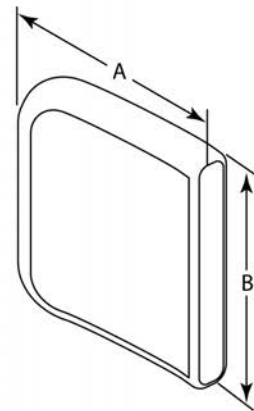


Pos.	Item Number	Description	Pos.	Item Number	Description
1	011691	WASHER HIGH STRENGTH 8mm	15	015156	PCM FRONT COVER
2	210085	NUT HEX NYLOCK M8 BLACK	16	230132	SHCS M4 x .7 x 10
3	013149	BHCS M8 x 16	17	013803	HHCS M8 X 1.25 X 50 BLK
4	119272	SHCS,M8X1.25X40,PF,NP	10-17	123564	POWER CM FTRST ASSY
5	210085	NUT HEX NYLOCK M8 BLACK	19	126002	PCM ASSY DUAL FP
6	505934	SPACER 8 x 2 CASTER	20	124936	CLIP, WIRE SADDLE
7	013211	ASSM CALF PAD SINGLE ROW	21	126189	DUAL FOOTPLATE TRIM KIT
8	013887-001	BAR SA CALF PAD 160	1,7-9,11,12,17	126188	CALF PAD ASSM W/ HDWR 1 SIDE
9	055028	SHCSM8X1.25X25FULLPL	22,23	126190	DUAL FTPLT CONNECTOR PLATE
12	561016	1" WASHER 5/16" HOLE			

Note: Effective with S/NQN710A, QM715A & QM720A.

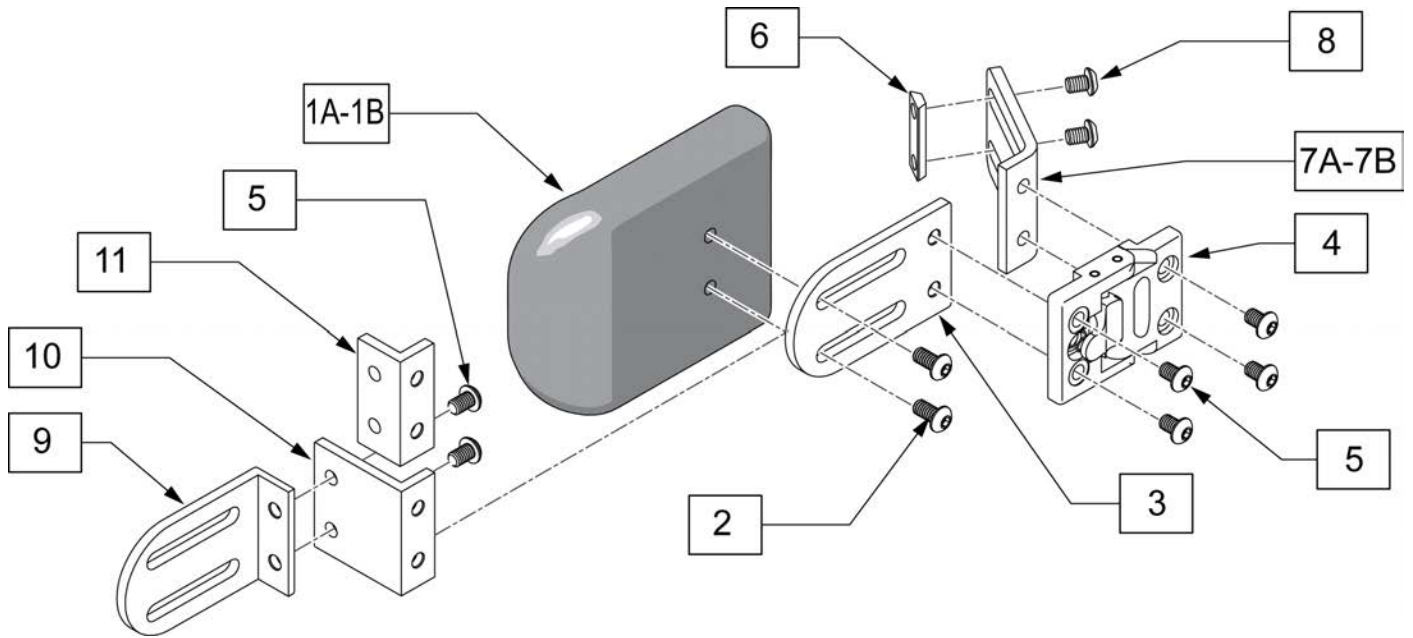


MEASURING GUIDE



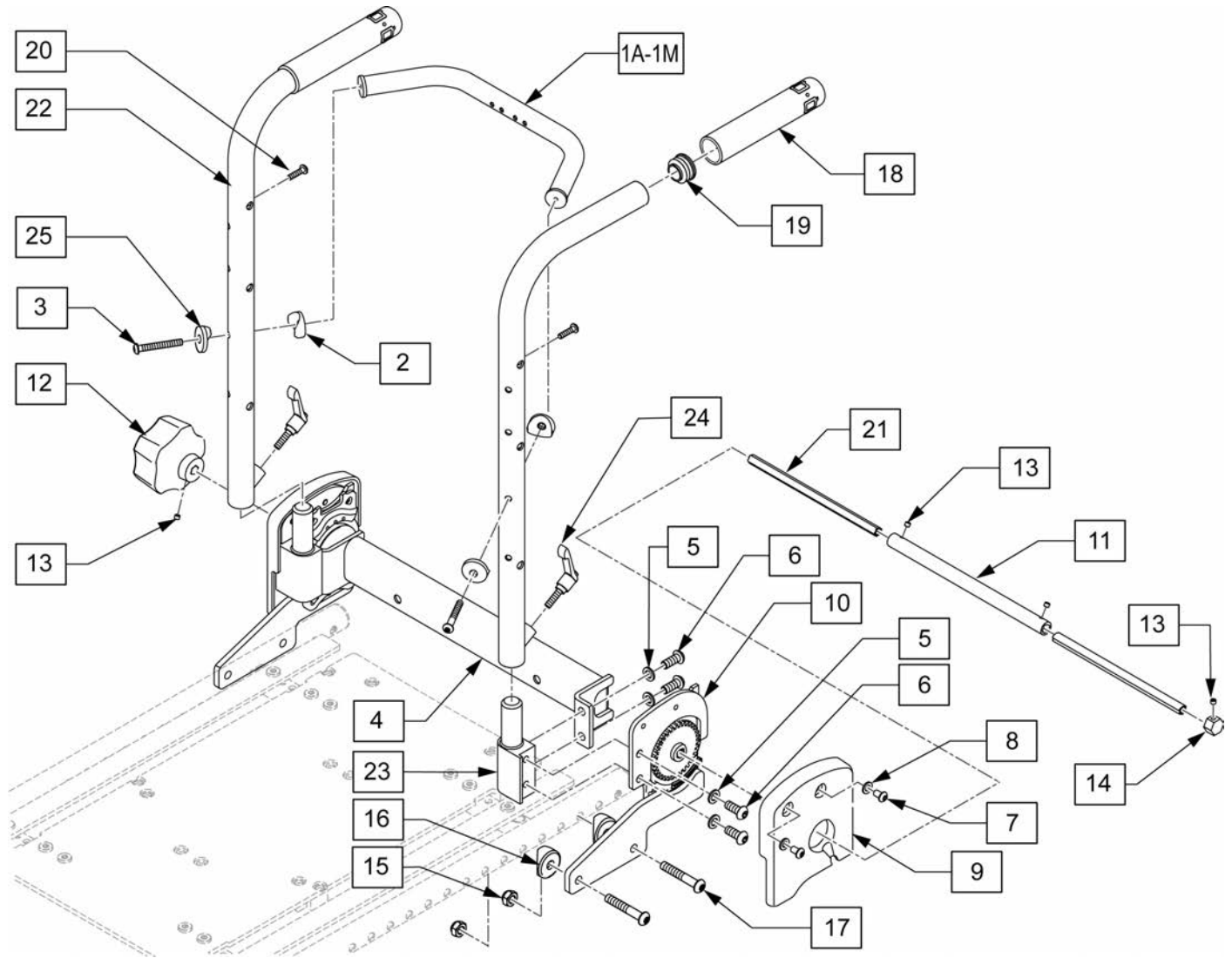
DESCRIPTION	DIM A	DIM B
Lateral Cover 4x4	4"	4"
Lateral Cover 4x5	4"	5"
Lateral Cover 4x6	4"	6"
Lateral Cover 6x4	6"	4"
Lateral Cover 6x5	6"	5"
Lateral Cover 6x6	6"	6"
Lateral Base 4x4	4"	4"
Lateral Base 4x5	4"	5"
Lateral Base 4x6	4"	6"
Lateral Base 6x4	6"	4"
Lateral Base 6x5	6"	5"
Lateral Base 6x6	6"	6"

Pos.	Item Number	Description	Remarks
1A	CJ3LAT4x4P	Lateral Cover 4x4	
1B	CJ3LAT4x5P	Lateral Cover 4x5	
1C	CJ3LAT4x6P	Lateral Cover 4x6	
1D	CJ3LAT6x4P	Lateral Cover 6x4	
1E	CJ3LAT6x5P	Lateral Cover 6x5	
1F	CJ3LAT6x6P	Lateral Cover 6x6	
2A	BJ3LAT4x4P	Lateral Base 4x4	
2B	BJ3LAT4x5P	Lateral Base 4x5	
2C	BJ3LAT4x6P	Lateral Base 4x6	
2D	BJ3LAT6x4P	Lateral Base 6x4	
2E	BJ3LAT6x5P	Lateral Base 6x5	
2F	BJ3LAT6x6P	Lateral Base 6x6	
7B	PRT2630	1" OFF/ONE PC PAD MNT STD	
3-7A,8,9	118045	J3 LATERAL S-A BRACKET RH	
3-7A,8,9	118046	J3 LATERAL S-A BRACKET LH	
3,5,6,9	118047	J3 S/A-LAT HDW KIT	
1A,2A,3-6,7B,8	125473	LAT 4X4 S/A MNT W/1" OFFSET PR	Pair
1B,2B,3-6,7B,8	125474	LAT 4X5 S/A MNT W/1" OFFSET PR	
1C,2C,3-6,7B,8	125475	LAT 4X6 S/A MNT W/1" OFFSET PR	
1D,2D,3-6,7B,8	125476	LAT 6X4 S/A MNT W/1" OFFSET PR	
1E,2E,3-6,7B,8	125477	LAT 6X5 S/A MNT W/1" OFFSET PR	
1F,2F,3-6,7B,8	125478	LAT 6X6 S/A MNT W/1" OFFSET PR	



Pos.	Item Number	Description	Remarks
1A,2	107311	LATERAL PAD 4X5	
1B,2	107312	LATERAL PAD 4X6	
3-11	HDK2500	SA LATERAL HARDWARE KIT	
1A-7A.8-11	106925	4X5 LATERAL THORACIC KIT	
1B-7A.8-11	106926	4X6 LATERAL THORACIC KIT	
1A-7B.8-11	118840	4X5 LATERAL THORACIC KIT 120	Power Recline only
1B-7B.8-11	118841	4X6 LATERAL THORACIC KIT 120	Power Recline only

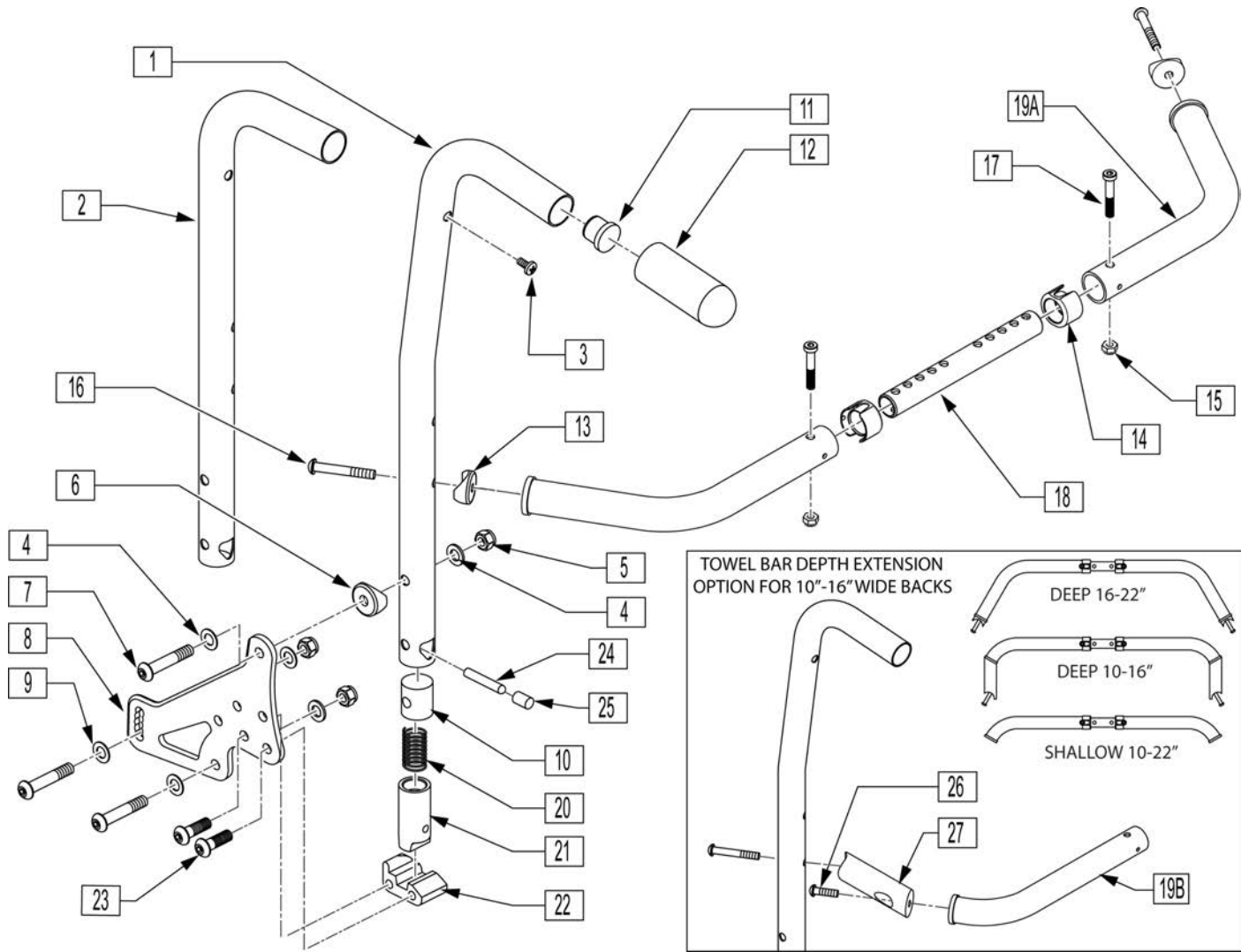
Note: If adding retro Manual Recline, requires either a Dual Post or a Height Adjustable Armrest. Cantilever Armrest is not available with Manual Recline.



Pos.	Item Number	Description	Remarks
1A	010679-001	FIXED BACK BRACE 1" OD TUBE 12"	12" Back Widths
1B	010679-002	FIXED BACK BRACE 1" OD TUBE 13"	13" Back Widths
1C	010679-003	FIXED BACK BRACE 1" OD TUBE 14"	14" Back Widths
1D	010679-004	FIXED BACK BRACE 1" OD TUBE 15"	15" Back Widths
1E	010679-005	FIXED BACK BRACE 1" OD TUBE 16"	16" Back Widths
1F	010679-006	FIXED BACK BRACE 1" OD TUBE 17"	17" Back Widths
1G	010679-007	FIXED BACK BRACE 1" OD TUBE 18"	18" Back Widths
1H	010679-008	FIXED BACK BRACE 1" OD TUBE 19"	19" Back Widths
1I	010679-009	FIXED BACK BRACE 1" OD TUBE 20"	20" Back Widths
1J	010679-010	FIXED BACK BRACE 1" OD TUBE 21"	21" Back Widths
1K	010679-011	FIXED BACK BRACE 1" OD TUBE 22"	22" Back Widths
1L	010679-012	FIXED BACK BRACE 1" OD TUBE 23"	23" Back Widths
1M	010679-013	FIXED BACK BRACE 1" OD TUBE 24"	24" Back Widths

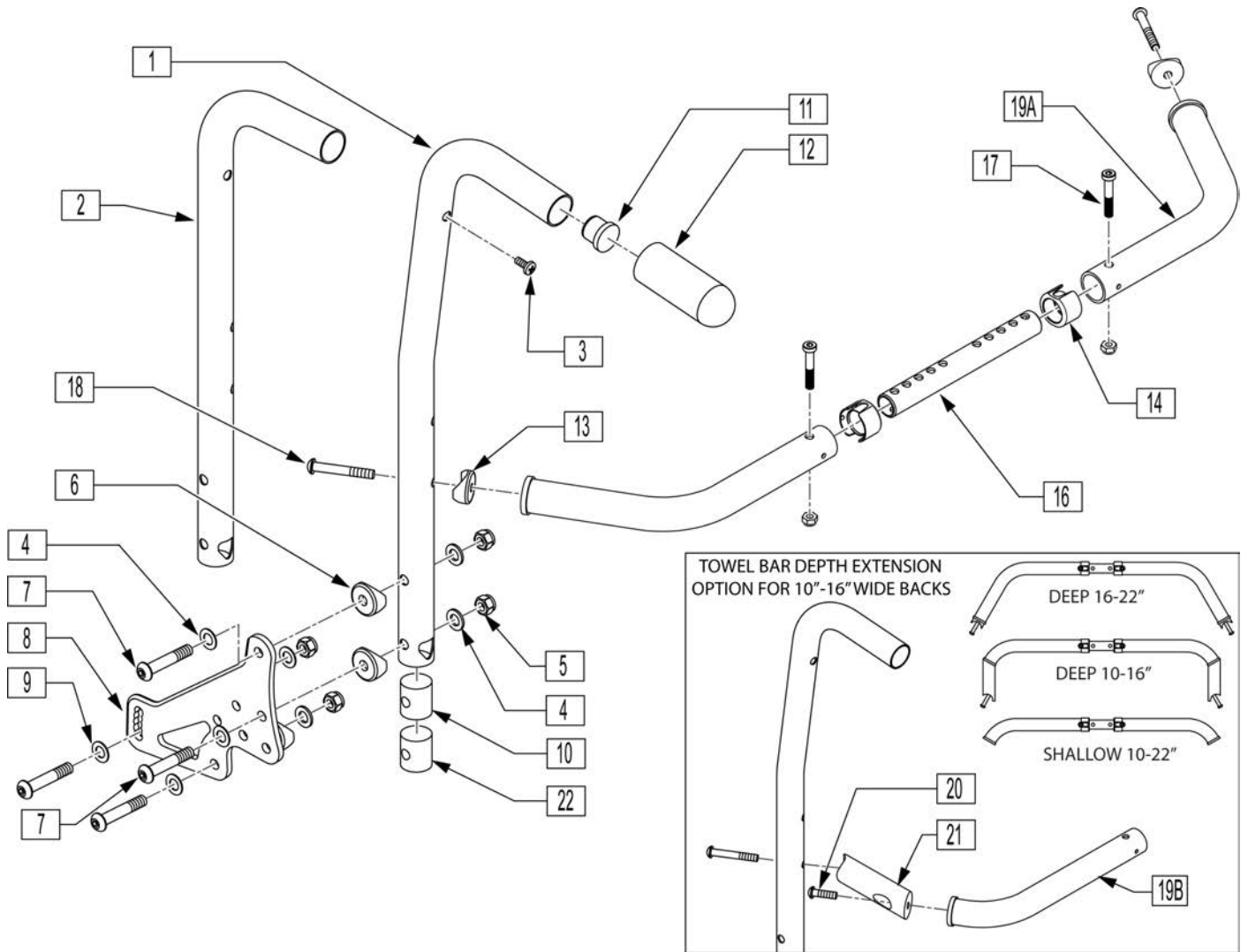


Pos.	Item Number	Description	Remarks
2	561004	1" SADDLE 1/4" HOLE	
3	230118	BHCS M6 X 1 X 45 BLK	
4	541268	TUBE BACKREST 12"	12" Back Widths
4	541269	TUBE BACKREST 13"	13" Back Widths
4	541270	TUBE BACKREST 14"	14" Back Widths
4	541271	TUBE BACKREST 15"	15" Back Widths
4	541272	TUBE BACKREST 16"	16" Back Widths
4	541273	TUBE BACKREST 17"	17" Back Widths
4	541274	TUBE BACKREST 18"	18" Back Widths
4	541275	TUBE BACKREST 19"	19" Back Widths
4	541276	TUBE BACKREST 20"	20" Back Widths
4	541277	TUBE BACKREST 21"	21" Back Widths
4	541278	TUBE BACKREST 22"	22" Back Widths
4	541279	TUBE BACKREST 23"	23" Back Widths
4	541280	TUBE BACKREST 24"	24" Back Widths
5	263100	5/16" AN WASHER FLAT	
6	230121	BHCS M8 X 1.25 X 20MM PATCH	
7	013145	BHCS M6 X 1 X 10 BLK	
8	250104	WASHER FLAT M6	
9	561192	PANEL RECLINE MECH MANUAL	Right
9	561193	PANEL RECLINE MECH MANUAL	Left
10	540570	KEIPER LOWER BRACKET	Right
10	540571	KEIPER LOWER BRACKET	Left
11	010699	SHAFT KEIPER CONNNECT FEMALE	
12	000384.32100	MANUAL KNOB	
13	013154	SCREW SET M5 X .8 X 3	
14	541149	CONNECTING ROD STOP NUT	
15	210085	NUT HEX NYLOCK M8 BLACK	
16	561006	1" SADDLE 5/16" HOLE	
17	230123	BHCS M8 X 1.25 X 45	
18	920027	QUICKIE GRIP 1" W/INSTR SHEET	
19	561062	1" INSERT PLUG .065 RIBS	
20	230497	M5-.8 X 20 MM BH C/S	
21	525438-001	CON ROD MNL TILT & REC 12"	Used on 12"-16" Back Widths
21	525438-002	CON ROD MNL TILT & REC 13"	Used on 17"-20" Back Widths
21	525438-003	CON ROD MNL TILT & REC 14"	Used on 21"-24" Back Widths
22	501554	BACKPOST RECEIVER	
23	501555	BACKPOST RECEIVER	
24	011685	HANDLE ADJ MODERN M6 X 20 STUD	
25	561086	1" HALF SADDLE 1/4" HOLE	
18, 19,22,24	104855	BACK POST 60D ASSM	Left
18, 19,22,24	104854	BACK POST 60D ASSM	Right
2-3,5-8,15,17, 20	101542	KEIPER MNL RCLN BACK HDWR KIT	
1-25	120096	MANUAL RECLINE BACK ASSM 12	12" Back Widths
1-25	120159	MANUAL RECLINE BACK ASSM 13	13" Back Widths
1-25	120160	MANUAL RECLINE BACK ASSM 144	14" Back Widths
1-25	120161	MANUAL RECLINE BACK ASSM 15	15" Back Widths
1-25	120162	MANUAL RECLINE BACK ASSM 16	16" Back Widths
1-25	120163	MANUAL RECLINE BACK ASSM 17	17" Back Widths
1-25	120164	MANUAL RECLINE BACK ASSM 18	18" Back Widths
1-25	120165	MANUAL RECLINE BACK ASSM 19	19" Back Widths
1-25	120166	MANUAL RECLINE BACK ASSM 20	20" Back Widths
1-25	120167	MANUAL RECLINE BACK ASSM 21	21" Back Widths
1-25	120168	MANUAL RECLINE BACK ASSM 22	22" Back Widths
1-25	120169	MANUAL RECLINE BACK ASSM 23	23" Back Widths
1-25	120170	MANUAL RECLINE BACK ASSM 24	24" Back Widths



Pos.	Item Number	Description	Remarks
3	100223-002	BHCS M5X.8X16MM	
4	263110-QU	5/16 AN WASHER FLAT THIN	
5	210085	NUT HEX NYLOCK M8 BLACK	
6	561006	1" SADDLE 5/16" HOLE	
7	230123	BHCS M8 X 1.25 X 45	
8	501723	BACKREST PLATE 86-114 DEGREE	
9	263100	5/16 AN WASHER FLAT	
10	483801	BACKREST LATCH PLUG P2	
11	561019	1" INSERT PLUG .049	
12	920027	QUICKIE GRIP 1" W/INSTR SHEET	
13	561004	1" SADDLE 1/4" HOLE	
14	118672	1" TUBE END BUSHING SHORT	
15	200113	NUT HEX NYLOCK M6 X 1 NUT	
16	102262-007	BHCS M6 X 1 X 45	
17	119125	SHCS LOW HD M6X1X35 PART NP	
20	321110	S/A LATCH SPRING	
21	483800	BACKREST LATCH SLIDER P2	
22	118925	BCKRST LATCH BLOCK R	Right

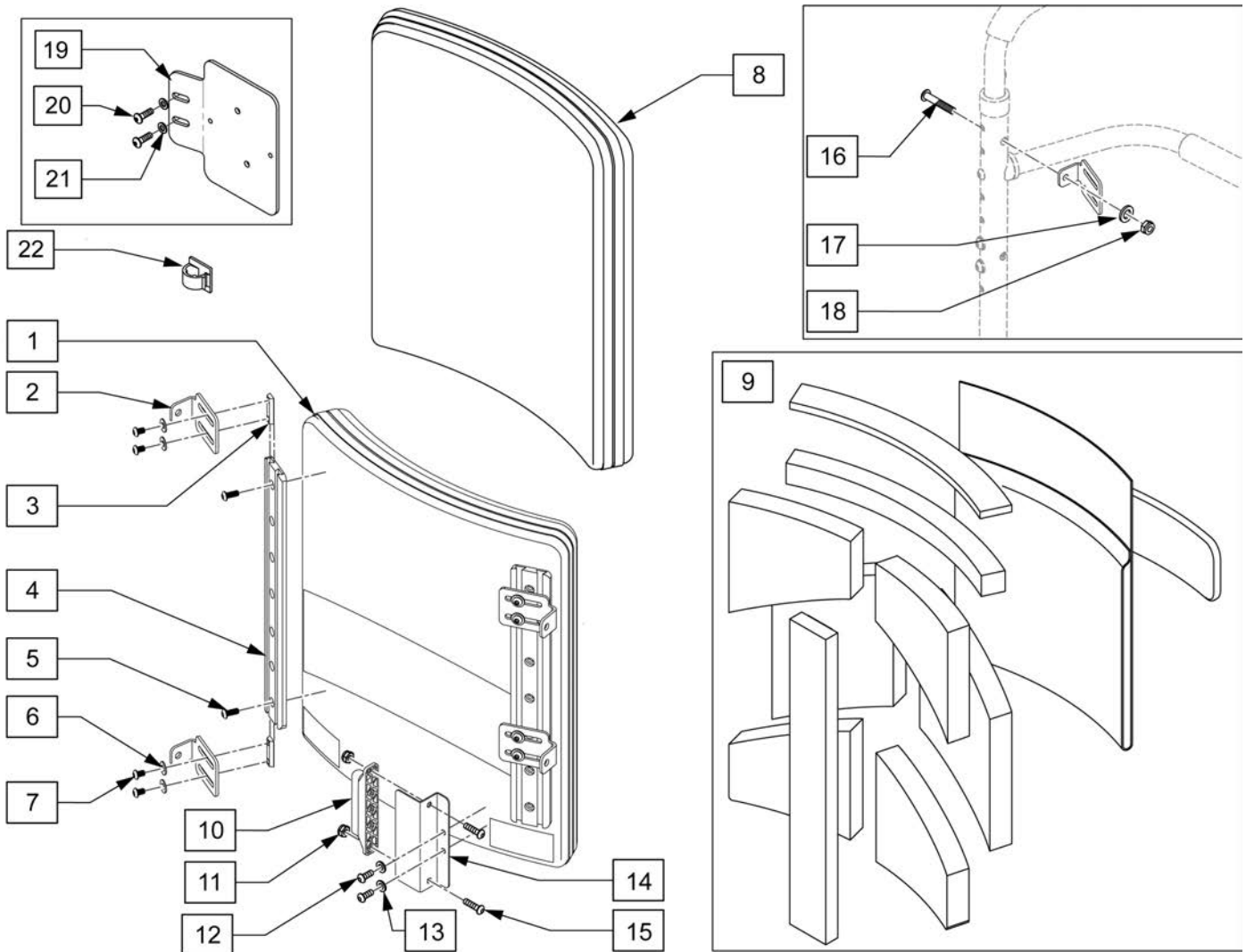
Pos.	Item Number	Description	Remarks
22	118926	BCKRST LATCH BLOCK L	Left
23	230006	BHCS M8 X 1.25 X 25 BLK	
24	481084	BACK REL PIN Z2/QT/EX	
25	126238	PUSH ON ROUND CAP	
26	119127	SHCS LOW HD, M6X1X45	
27	118769	TOWEL BAR DEPTH EXTENSION	
1,11,12	842221	BACK TUBE PH 8D LOW R S525	8 Deg - Low - Right
1,11,12	842222	BACK TUBE PH 8D LOW L S525	8 Deg - Low - Left
1,11,12	842223	BACK TUBE PH 8D MED R S525	8 Deg - Med - Right
1,11,12	842224	BACK TUBE PH 8D MED L S525	8 Deg - Med - Left
1,11,12	842225	BACK TUBE PH 8D TALL R S525	8 Deg - Tall - Right
1,11,12	842226	BACK TUBE PH 8D TALL L S525	8 Deg - Tall - Left
2,11,12	842227	BACK TUBE PH LOW R S525	Straight - Low - Right
2,11,12	842228	BACK TUBE PH LOW L S525	Straight - Low - Left
2,11,12	842229	BACK TUBE PH MED R S525	Straight - Med - Right
2,11,12	842230	BACK TUBE PH MED L S525	Straight - Med - Left
2,11,12	842231	BACK TUBE PH TALL R S525	Straight - Tall - Right
2,11,12	842232	BACK TUBE PH TALL L S525	Straight - Tall - Left
1,3-12,20-25	120171	PH 8D LOW R ASSM FLDG 86-114	
1,3-12,20-25	120172	PH 8D LOW L ASSM FLDG 86-114	
1,3-12,20-25	120173	PH 8D MED R ASSM FLDG 86-114	
1,3-12,20-25	120174	PH 8D MED L ASSM FLDG 86-114	
1,3-12,20-25	120175	PH 8D TAL R ASSM FLDG 86-114	
1,3-12,20-25	120176	PH 8D TAL L ASSM FLDG 86-114	
2-12,20-25	120177	PH LOW R ASSM FLDG 86-114	
2-12,20-25	120178	PH LOW L ASSM FLDG 86-114	
2-12,20-25	120179	PH MED R ASSM FLDG 86-114	
2-12,20-25	120181	PH MED L ASSM FLDG 86-114	
2-12,20-25	120182	PH TALL R ASSM FLD 86-114	
2-12,20-25	120183	PH TALL L ASSM FLD 86-114	
13-19A	118614	TOWEL BAR ASSY 18-22D	DEEP
13-19A	118637	TOWEL BAR ASSY 16-20D	DEEP
13-19B	118600	TOWEL BAR ASSY 18-22S	SHALLOW
13-19B	118633	TOWEL BAR ASSY 16-20S	SHALLOW
13-19B	118645	TOWEL BAR ASSY 12-16S	SHALLOW
13-19B	118646	TOWEL BAR ASSY 10-13S	SHALLOW



Pos.	Item Number	Description	Remarks
3	100223-002	BHCS M5X.8X16MM	
4	263110-QU	5/16 AN WASHER FLAT THIN	
5	210085	NUT HEX NYLOCK M8 BLACK	
6	561006	1" SADDLE 5/16" HOLE	
7	230123	BHCS M8 X 1.25 X 45	
8	501723	BACKREST PLATE 86-114 DEGREE	
9	263100	5/16 AN WASHER FLAT	
10	483801	BCKREST LATCH PLUG P2 (Both Used)	
11	561019	1" INSERT PLUG .049	
12	920027	QUICKIE GRIP 1" W/INSTR SHEET	
13	561004	1" SADDLE 1/4" HOLE	
14	118672	1" TUBE END BUSHING SHORT	
15	200113	NUT HEX NYLOCK M6 X 1 NUT	
17	119125	SHCS LOW HD M6X1X35 PART NP	
18	102262-007	BHCS M6 X 1 X 45	
20	119127	SHCS LOW HD, M6X1X45	
21	118769	TOWEL BAR DEPTH EXTENSION	
22	550080	PUSH HNDLE INSERT S525 (Both Used)	

Pos.	Item Number	Description	Remarks
13-19A	118614	TOWEL BAR ASSY 18-22D	Deep-PLS6 only
13-19A	118637	TOWEL BAR ASSY 16-20D	Deep
13-19B	118600	TOWEL BAR ASSY 18-22S	Shallow-PLS6 only
13-19B	118633	TOWEL BAR ASSY 16-20S	Shallow
13-19B	118645	TOWEL BAR ASSY 12-16S	Shallow
13-19B	118646	TOWEL BAR ASSY 10-13S	Shallow
1,3-12,22	120184	PH 8D LOW R ASSM NF 86-114	
1,3-12,22	120185	PH 8D LOW L ASSM NF 86-114	
1,3-12,22	120186	PH 8D MED R ASSM NF 86-114	
1,3-12,22	120187	PH 8D MED L ASSM NF 86-114	
1,3-12,22	120188	PH 8D TALL R ASSM NF 86-114	
1,3-12,22	120189	PH 8D TALL L ASSM NF 86-114	
2-12,22	120190	PH LOW R ASSM NF 86-114	
2-12,22	120191	PH LOW L ASSM NF 86-114	
2-12,22	120192	PH MED R ASSM NF 86-114	
2-12,22	120193	PH MED L ASSM NF 86-114	
2-12,22	120194	PH TALL R ASSM NF 86-114	
2-12,22	120195	PH TALL L ASSM NF 86-114	
1,11,12	842221	BACK TUBE PH 8D LOW R S525	Right
1,11,12	842222	BACK TUBE PH 8D LOW L S525	Left
1,11,12	842223	BACK TUBE PH 8D MED R S525	Right
1,11,12	842224	BACK TUBE PH 8D MED L S525	Left
1,11,12	842225	BACK TUBE PH 8D TALL R S525	Right
1,11,12	842226	BACK TUBE PH 8D TALL L S525	Left
1,11,12	842227	BACK TUBE PH LOW R S525	Right
1,11,12	842228	BACK TUBE PH LOW L S525	Left
1,11,12	842229	BACK TUBE PH MED R S525	Right
1,11,12	842230	BACK TUBE PH MED L S525	Left
1,11,12	842231	BACK TUBE PH TALL R S525	Right
1,11,12	842232	BACK TUBE PH TALL L S525	Left

NOTE: ACTUAL BACK WIDTH MEASUREMENT IS 2" LESS THAN STATED WIDTH.



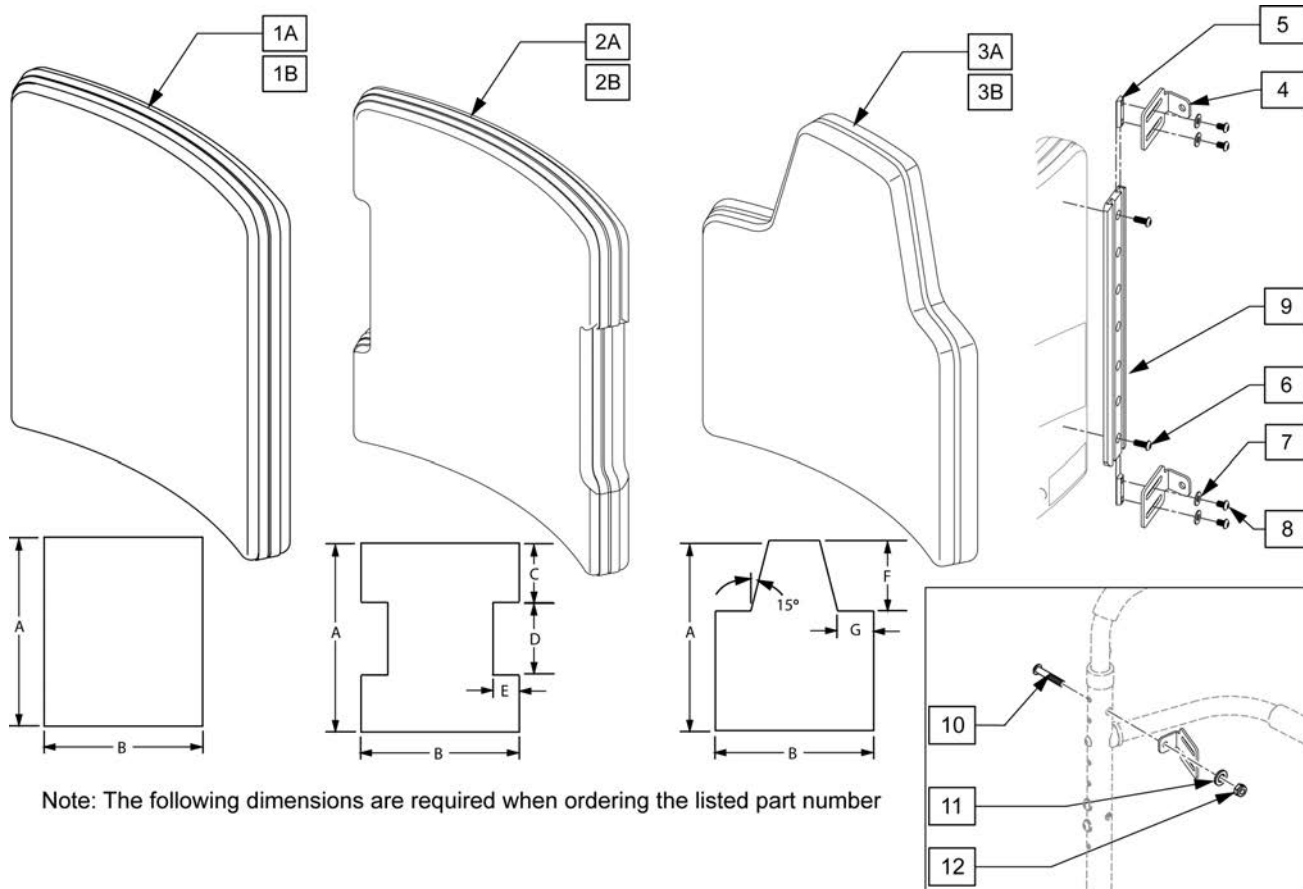
Pos.	Item Number	Description	Remarks
2	107183	CANE BRACKET - STANDARD	
2-7	107310-001	BACK UPGRADE MNTG KIT 14 IN	FITS 18T BACK HEIGHTS
2-7	107310-002	BACK UPGRADE MNTG KIT 16 IN	FITS 20T BACK HEIGHTS
2-7	107310-003	BACK UPGRADE MNTG KIT 18 IN	FITS 22T BACK HEIGHTS
2-7	107310-004	BACK UPGRADE MNTG KIT 20 IN	FITS 24T BACK HEIGHTS
1-8	106324-001	BACK UPGRADE COMPLETE 16X18	FITS 16W x 18T
1-8	106324-002	BACK UPGRADE COMPLETE 16x20	FITS 16W x 20T
1-8	106324-003	BACK UPGRADE COMPLETE 16x22	FITS 16W x 22T
1-8	106324-004	BACK UPGRADE COMPLETE 16x24	FITS 16W x 24T
1-8	106324-005	BACK UPGRADE COMPLETE 17x18	FITS 17W x 18T
1-8	106324-006	BACK UPGRADE COMPLETE 17x20	FITS 17W x 20T
1-8	106324-007	BACK UPGRADE COMPLETE 17x22	FITS 17W x 22T
1-8	106324-008	BACK UPGRADE COMPLETE 17x24	FITS 17W x 24T
1-8	106324-009	BACK UPGRADE COMPLETE 18x18	FITS 18W x 18T

Pos.	Item Number	Description	Remarks
1-8	106324-010	BACK UPGRADE COMPLETE 18x20	FITS 18W x 20T
1-8	106324-011	BACK UPGRADE COMPLETE 18x22	FITS 18W x 22T
1-8	106324-012	BACK UPGRADE COMPLETE 18x24	FITS 18W x 24T
1-8	106324-013	BACK UPGRADE COMPLETE 19x20	FITS 19W x 20T
1-8	106324-014	BACK UPGRADE COMPLETE 19x22	FITS 19W x 22T
1-8	106324-015	BACK UPGRADE COMPLETE 19x24	FITS 19W x 24T
1-8	106324-016	BACK UPGRADE COMPLETE 20x20	FITS 20W x 20T
1-8	106324-017	BACK UPGRADE COMPLETE 20x22	FITS 20W x 22T
1-8	106324-018	BACK UPGRADE COMPLETE 20x24	FITS 20W x 24T
8	106372-001	BACK COVER 16X18	FITS 16W x 18T
8	106372-002	BACK COVER 16X20	FITS 16W x 20T
8	106372-003	BACK COVER 16X22	FITS 16W x 22T
8	106372-004	BACK COVER 16X24	FITS 16W x 24T
8	106372-005	BACK COVER 17X18	FITS 17W x 18T
8	106372-006	BACK COVER 17X20	FITS 17W x 20T
8	106372-007	BACK COVER 17X22	FITS 17W x 22T
8	106372-008	BACK COVER 17X24	FITS 17W x 24T
8	106372-009	BACK COVER 18X18	FITS 18W x 18T
8	106372-010	BACK COVER 18X20	FITS 18W x 20T
8	106372-011	BACK COVER 18X22	FITS 18W x 22T
8	106372-012	BACK COVER 18X24	FITS 18W x 24T
8	106372-013	BACK COVER 19X20	FITS 19W x 20T
8	106372-014	BACK COVER 19X22	FITS 19W x 22T
8	106372-015	BACK COVER 19X24	FITS 19W x 24T
8	106372-016	BACK COVER 20X20	FITS 20W x 20T
8	106372-017	BACK COVER 20X22	FITS 20W x 22T
8	106372-018	BACK COVER 20X24	FITS 20W x 24T
9	107309-001	Back Upgrade Foam Kit 16x18	FITS 16W x 18T
9	107309-002	Back Upgrade Foam Kit 16x20	FITS 16W x 20T
9	107309-003	Back Upgrade Foam Kit 16x22	FITS 16W x 22T
9	107309-004	Back Upgrade Foam Kit 16x24	FITS 16W x 24T
9	107309-005	Back Upgrade Foam Kit 17x18	FITS 17W x 18T
9	107309-006	Back Upgrade Foam Kit 17x20	FITS 17W x 20T
9	107309-007	Back Upgrade Foam Kit 17x22	FITS 17W x 22T
9	107309-008	Back Upgrade Foam Kit 17x24	FITS 17W x 24T
9	107309-009	Back Upgrade Foam Kit 18x18	FITS 18W x 18T
9	107309-010	Back Upgrade Foam Kit 18x20	FITS 18W x 20T
9	107309-011	Back Upgrade Foam Kit 18x22	FITS 18W x 22T
9	107309-012	Back Upgrade Foam Kit 18x24	FITS 18W x 24T
9	107309-013	Back Upgrade Foam Kit 19x20	FITS 19W x 20T
9	107309-014	Back Upgrade Foam Kit 19x22	FITS 19W x 22T
9	107309-015	Back Upgrade Foam Kit 19x24	FITS 19W x 24T
9	107309-016	Back Upgrade Foam Kit 20x20	FITS 20W x 20T
9	107309-017	Back Upgrade Foam Kit 20x22	FITS 20W x 22T
9	107309-018	Back Upgrade Foam Kit 20x24	FITS 20W x 24T
10	108312	DISTRIBUTION BLOCK	R-net distribution block
11	210084	NUT HEX NYLOCK M6 BLACK	
12	108107	BHCS 1/4-20 X 3/4 ROHS	
13	106943	WASHER FLAT AN 1/4 ROHS	
14	109251	BRKT DSTRBTN BLCK	
15	103185-006	ROHSBHCSM6X1X16FULLNP	
10-15	110843	DIST BLOCK BACK KIT	R-net distribution block kit
16	230122	BHCSM8X1.25X40FULLNP	
17	011691	WASHER HIGH STRENGTH	
18	210085	NUT HEX NYLOCK M8 BLACK	
19-22	120196	BRACKET ART BACK 3 AXIS CNTR w/HDWR	

<b>Pos.</b>	<b>Item Number</b>	<b>Description</b>	<b>Remarks</b>
20	108107	BHCS 1/4-20 X 3/4 ROHS	
21	106943	WASHER FLAT AN 1/4 ROHS	
22	341220	BATTERY CABLE CLIP	



Note: To achieve 19" & 20" back depth on ASAP seating order Qty 2 117840.



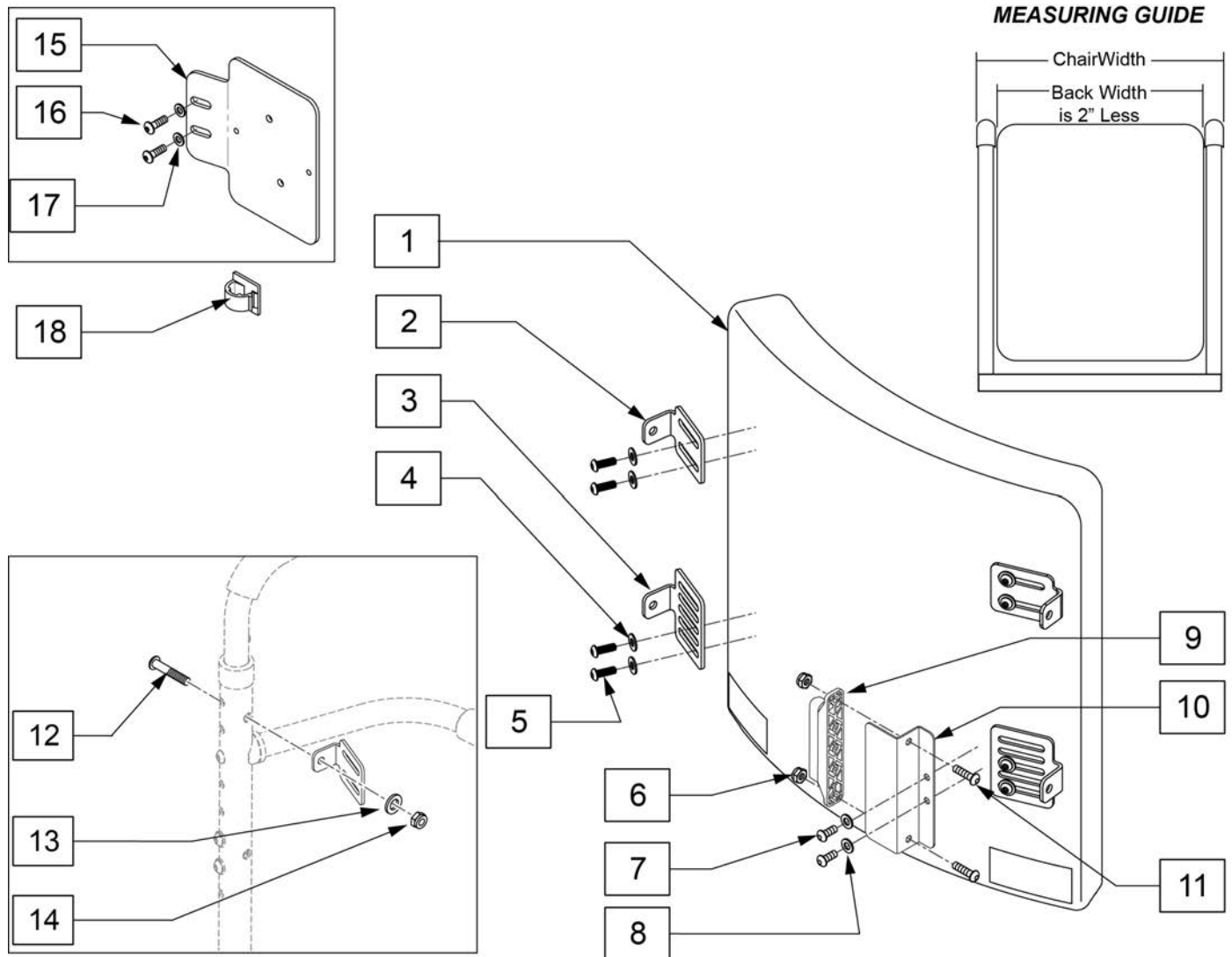
Note: The following dimensions are required when ordering the listed part number

Pos.	Item Number	Description	Remarks
1B	112539S	GNRIC REC ART SPO COVER	Replacement Rectangular back cover only
2B	112540S	GNRIC I ART SPO BCK COVER	Replacement I back cover only
3B	112541S	GNRIC SCAP ART SPO BCK COVER	Replacement Scapular back cover only
1A-9	112536S	GNRIC REC ART SPO ASSM	Replacement Rectangular back assembly
2A-9	112537S	GNRIC I ART SPO BCK ASM	Replacement I back assembly
3A-9	112538S	GNRIC SCAP ART SPO BCK ASM	Replacement Scapular back assembly
10	230122	BHCSM8X1.25X40FULLNP	
11	011691	WASHER HIGH STRENGTH	
12	210085	NUT HEX NYLOCK M8 BLACK	

Note: Replacment Backs are listed based on actual chair width. Please note that backs are actually 2" narrower than the chair. For example, 16 x 16 back is 14 wide and used on 16" wide chair.

Note: Back Assemblies do not include mounting bolts. Reference no.'s 12,13,&14 on parts page.

Note: To achieve 19" & 20" back depth on ASAP seating order Qty 2 117840.

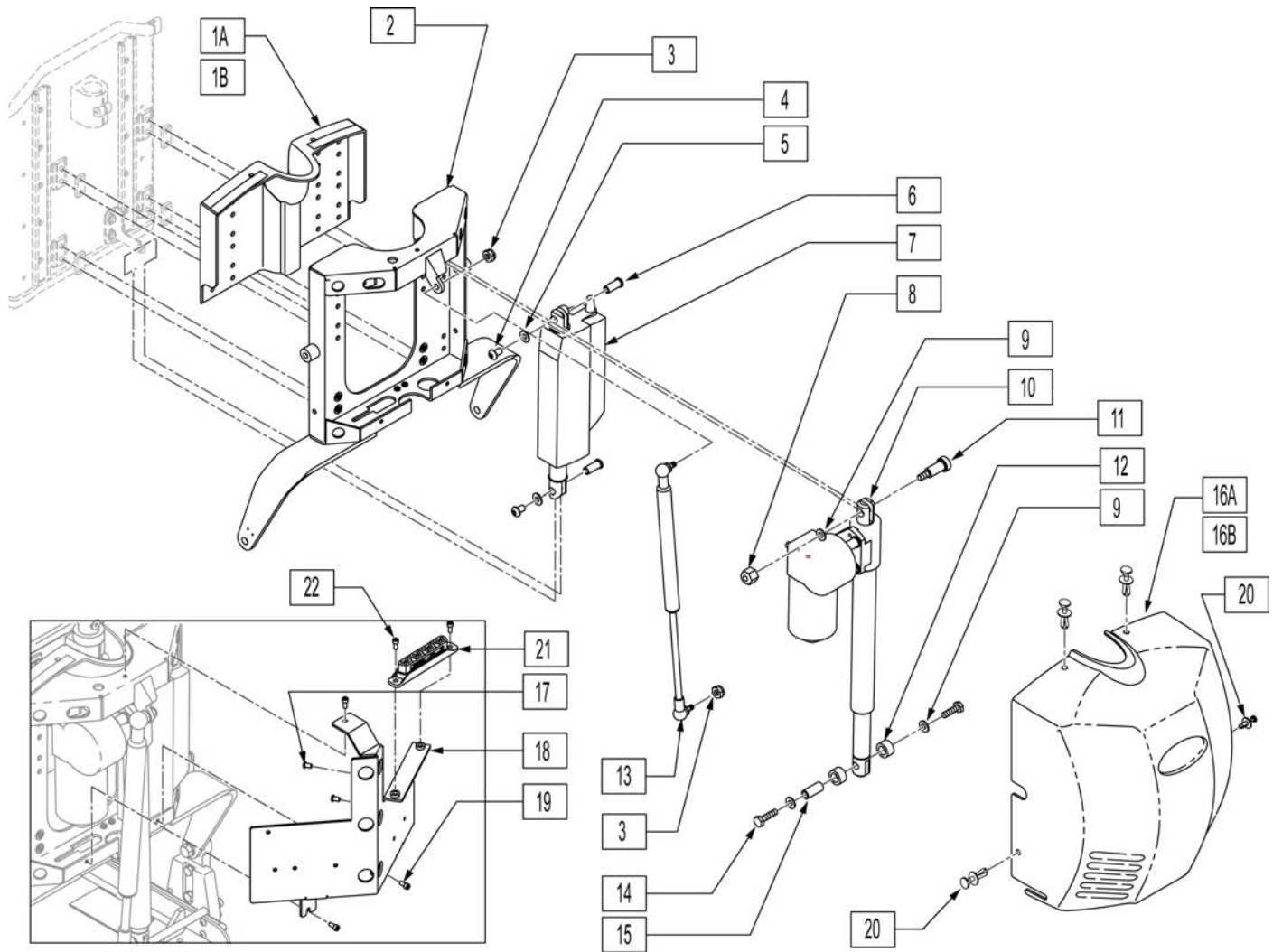


Pos.	Item Number	Description	Remarks
2-5	107064	MOUNTING KIT	4 brackets & hardware
1-5	106315-031	BACK STD COMP ASSY 12X12	
1-5	106315-032	BACK STD COMPLETE 12X14	
1-5	106315-033	BACK STD COMPLETE 12X16	
1-5	106315-035	BACK STD COMPLETE 13X12	

Pos.	Item Number	Description	Remarks
1-5	106315-036	BACK STD COMPLETE 13X14	
1-5	106315-037	BACK STD COMPLETE 13X16	
1-5	106315-038	BACK STD COMPLETE 13X18	
1-5	106315-039	BACK STD COMPLETE 13X20	
1-5	106315-041	BACK STD COMPLETE 14X12	
1-5	106315-042	BACK STD COMPLETE 14X14	
1-5	106315-043	BACK STD COMPLETE 14X16	
1-5	106315-044	BACK STD COMPLETE 14X18	
1-5	106315-045	BACK STD COMPLETE 14X20	
1-5	106315-047	BACK STD COMPLETE 15X12	
1-5	106315-048	BACK STD COMPLETE 15X14	
1-5	106315-049	BACK STD COMPLETE 15X16	
1-5	106315-050	BACK STD COMPLETE 15X18	
1-5	106315-051	BACK STD COMPLETE 15X20	
1-5	106315-052	BACK STD COMPLETE 16X12	
1-5	106315-053	BACK STD COMPLETE 16x14	
1-5	106315-054	BACK STD COMPLETE 16x16	
1-5	106315-001	BACK STD COMPLETE 16X18	
1-5	106315-002	BACK STD COMPLETE 16X20	
1-5	106315-003	BACK STD COMPLETE 16X22	
1-5	106315-004	BACK STD COMPLETE 16X24	
1-5	106315-055	BACK STD COMP ASSY 17X14	
1-5	106315-056	BACK STD COMP ASSY 17X16	
1-5	106315-005	BACK STD COMPLETE 17X18	
1-5	106315-006	BACK STD COMPLETE 17X20	
1-5	106315-007	BACK STD COMPLETE 17X22	
1-5	106315-008	BACK STD COMPLETE 17X24	
1-5	106315-057	BACK STD COMP ASSY 18X16	
1-5	106315-009	BACK STD COMPLETE 18X18	
1-5	106315-010	BACK STD COMPLETE 18X20	
1-5	106315-011	BACK STD COMPLETE 18X22	
1-5	106315-012	BACK STD COMPLETE 18X24	
1-5	106315-058	BACK STD COMPLETE ASSY 19X16	
1-5	106315-059	BACK STD COMPLETE ASSY 19X18	
1-5	106315-013	BACK STD COMPLETE 19X20	
1-5	106315-014	BACK STD COMPLETE 19X22	
1-5	106315-015	BACK STD COMPLETE 19X24	
1-5	106315-065	BACK STD COMPLETE ASSY 20X16	
1-5	106315-066	BACK STD COMPLETE ASSY 20X18	
1-5	106315-016	BACK STD COMPLETE 20X20	
1-5	106315-017	BACK STD COMPLETE 20X22	
1-5	106315-018	BACK STD COMPLETE 20X24	
1-5	106315-060	BACK STD COMP ASSY 22X16	
1-5	106315-061	BACK STD COMP ASSY 22X18	
1-5	106315-062	BACK STD COMP ASSY 22X20	
1-5	106315-063	BACK STD COMP ASSY 22X22	
1-5	106315-064	BACK STD COMP ASSY 22X24	
6	108312	DISTRIBUTION BLOCK	
7	210084	NUT HEX NYLOCK M6 BLACK	
8	108107	BHCS 1/4-20 X 3/4 ROHS	
9	106943	WASHER FLAT AN 1/4 ROHS	
10	109251	BRKT DSTRBTN BLCK	
11	103185-006	ROHSBHCSM6X1X16FULLNP	
12	230122	BHCSM8X1.25X40FULLNP	
13	011691	WASHER HIGH STRENGTH	
14	210085	NUT HEX NYLOCK M8 BLACK	

<b>Pos.</b>	<b>Item Number</b>	<b>Description</b>	<b>Remarks</b>
15-18	120196	BRACKET ART BACK 3 AXIS CNTR w/HDWR	
16	108107	BHCS 1/4-20 X 3/4 ROHS	
17	106943	WASHER FLAT AN 1/4 ROHS	
18	341220	BATTERY CABLE CLIP	

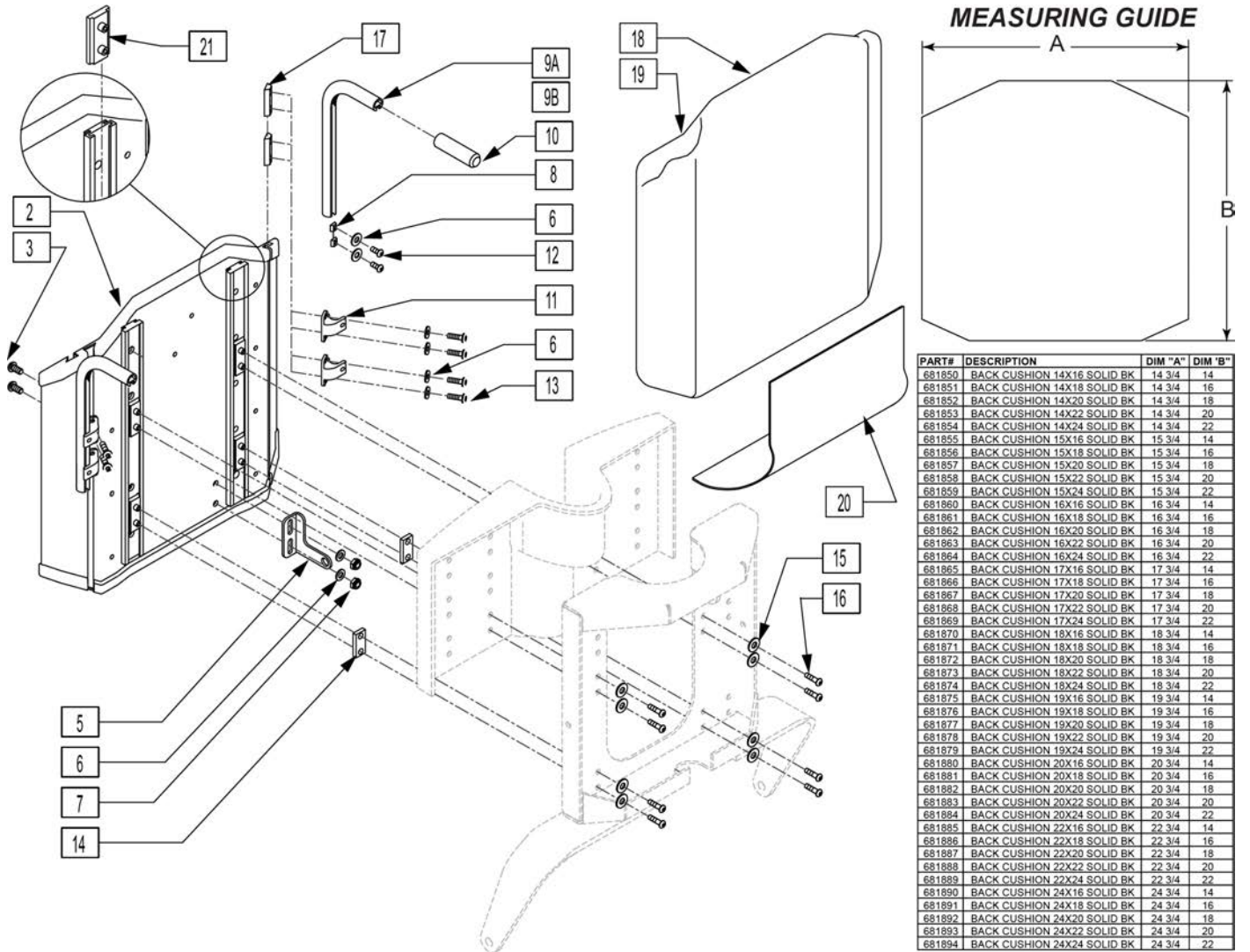
Note: On QM7 series fits chairs prior to S/N prefix QM710A, QM715A & QM720A.



Pos.	Item Number	Description	Remarks
1A	104371	BACKREST INNER SHROUD SMALL	USED ON 16-19" WIDE SEATS
1B	104372	BACKREST INNER SHROUD LARGE	USED ON 20 & 22" WIDE SEATS
2	102987-004	WLDMNT 17W CROSS BAR	USED ON 16" WIDE SEATS
2	102987-005	WLDMNT 18W CROSS BAR	USED ON 17" WIDE SEATS
2	102987-006	WLDMNT 19W CROSS BAR	USED ON 18" WIDE SEATS
2	102987-007	WLDMNT 20W CROSS BAR	USED ON 19" WIDE SEATS
2	102990-002	WLDMNT 21W CROSS BAR	USED ON 20" WIDE SEATS
2	102990-004	WLDMNT 23W CROSS BAR	USED ON 22" WIDE SEATS
3	202116	5/16-18 NYLOCK NUT THIN BLK	
4	226236	5/16-18 x 1/2 B/H C/S BLK	
5	263100	5/16 AN WASHER FLAT	
6	505615	ACT LINK PIN	
7	012038	ACT LINAK LA-12 9OD CLVS DLPHI	SHEER ACTUATOR
8	201263	3/8-16 NYLOCK NUT BLK ZINC	
9	263140	3/8 WASHER FLAT	

Pos.	Item Number	Description	Remarks
10	108843	ACT LINAK LA-30-150	RECLINE ACTUATOR
11	341571	1/2" SHOULDER BOLT	
12	560030	REAR ACT THRUST WASHER	
13	342088	GAS SPRING S626 T/R	
14	223120	3/8-16 x .625 HEX HD C/S W/PATCH	
15	506033	LOWER RECLINE ACT PIVOT	
16A	103950	SHROUD POWER RECLINE ASSM	INCLUDES VELCRO & FASTENERS
16B	103951	SHROUD WIDE PWR RECLINE WIDE	INCLUDES VELCRO & FASTENERS
17	102257	BHCS M4 X .7 X 8 INORGANIC	
18	108295	BRKT CONTROLLER RNET	
19	227000	8-32 X 3/8 SOC C/S BLK	
20	011402	FASTENER SHROUD	
21	108312	DISTRIBUTION BLOCK	
22	103185-006	BHCSM6X1X16FULLNP	

NOTE: IF RETROFITTING A TILT OR RECLINE ONTO AN EXISTING CHAIR PLEASE CONTACT SUNRISE MEDICAL TECHNICAL SUPPORT TO ENSURE ALL REQUIRED PARTS ARE PURCHASED.



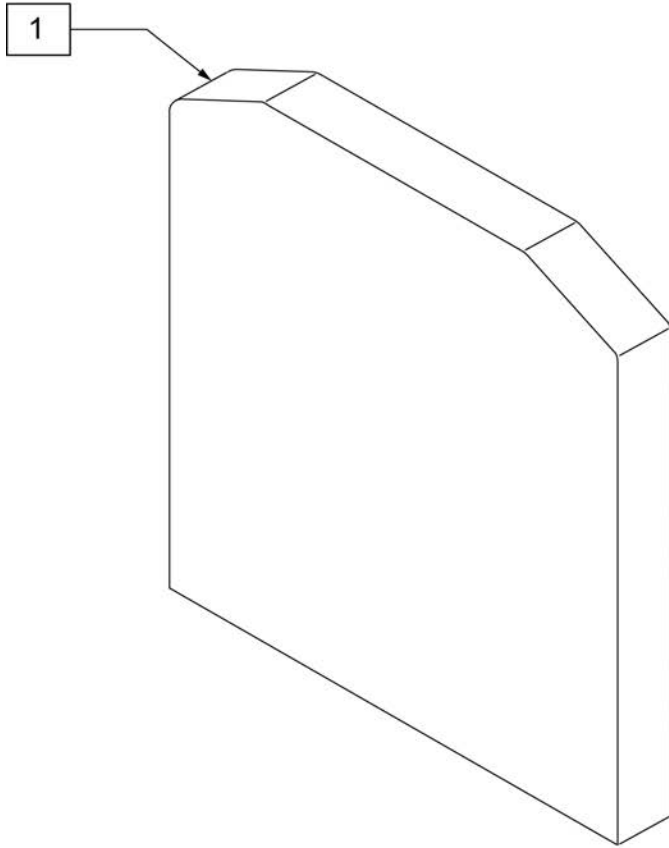
PART#	DESCRIPTION	DIM "A"	DIM "B"
681850	BACK CUSHION 14X16 SOLID BK	14 3/4	14
681851	BACK CUSHION 14X18 SOLID BK	14 3/4	16
681852	BACK CUSHION 14X20 SOLID BK	14 3/4	18
681853	BACK CUSHION 14X22 SOLID BK	14 3/4	20
681854	BACK CUSHION 14X24 SOLID BK	14 3/4	22
681855	BACK CUSHION 15X16 SOLID BK	15 3/4	14
681856	BACK CUSHION 15X18 SOLID BK	15 3/4	16
681857	BACK CUSHION 15X20 SOLID BK	15 3/4	18
681858	BACK CUSHION 15X22 SOLID BK	15 3/4	20
681859	BACK CUSHION 15X24 SOLID BK	15 3/4	22
681860	BACK CUSHION 16X16 SOLID BK	16 3/4	14
681861	BACK CUSHION 16X18 SOLID BK	16 3/4	16
681862	BACK CUSHION 16X20 SOLID BK	16 3/4	18
681863	BACK CUSHION 16X22 SOLID BK	16 3/4	20
681864	BACK CUSHION 16X24 SOLID BK	16 3/4	22
681865	BACK CUSHION 17X16 SOLID BK	17 3/4	14
681866	BACK CUSHION 17X18 SOLID BK	17 3/4	16
681867	BACK CUSHION 17X20 SOLID BK	17 3/4	18
681868	BACK CUSHION 17X22 SOLID BK	17 3/4	20
681869	BACK CUSHION 17X24 SOLID BK	17 3/4	22
681870	BACK CUSHION 18X16 SOLID BK	18 3/4	14
681871	BACK CUSHION 18X18 SOLID BK	18 3/4	16
681872	BACK CUSHION 18X20 SOLID BK	18 3/4	18
681873	BACK CUSHION 18X22 SOLID BK	18 3/4	20
681874	BACK CUSHION 18X24 SOLID BK	18 3/4	22
681875	BACK CUSHION 19X16 SOLID BK	19 3/4	14
681876	BACK CUSHION 19X18 SOLID BK	19 3/4	16
681877	BACK CUSHION 19X20 SOLID BK	19 3/4	18
681878	BACK CUSHION 19X22 SOLID BK	19 3/4	20
681879	BACK CUSHION 19X24 SOLID BK	19 3/4	22
681880	BACK CUSHION 20X16 SOLID BK	20 3/4	14
681881	BACK CUSHION 20X18 SOLID BK	20 3/4	16
681882	BACK CUSHION 20X20 SOLID BK	20 3/4	18
681883	BACK CUSHION 20X22 SOLID BK	20 3/4	20
681884	BACK CUSHION 20X24 SOLID BK	20 3/4	22
681885	BACK CUSHION 22X16 SOLID BK	22 3/4	14
681886	BACK CUSHION 22X18 SOLID BK	22 3/4	16
681887	BACK CUSHION 22X20 SOLID BK	22 3/4	18
681888	BACK CUSHION 22X22 SOLID BK	22 3/4	20
681889	BACK CUSHION 22X24 SOLID BK	22 3/4	22
681890	BACK CUSHION 24X16 SOLID BK	24 3/4	14
681891	BACK CUSHION 24X18 SOLID BK	24 3/4	16
681892	BACK CUSHION 24X20 SOLID BK	24 3/4	18
681893	BACK CUSHION 24X22 SOLID BK	24 3/4	20
681894	BACK CUSHION 24X24 SOLID BK	24 3/4	22

Pos.	Item Number	Description	Remarks
3	221091	1/4-28 x 1/2 BH C/S BLK W/PTCH	
5	102981	UPPER ACT CLEVIS MID SW	
6	106943	WASHER FLAT AN 1/4 ROHS	
7	202300	1/4-28 NYLOCK NUT THIN BLK ZN	
8	481106-QU	1/4-28 CHANNEL NUT	
9A,10	113364	PUSH HANDLES TUBE W/RCLN BCK	Each - HANDLE 5" Long
9B,10	113365	PUSH HANDLES TB LNG W/RCLN BK	Each - HANDLE 12.5" LONG
10	920027	QUICKIE GRIP 1	
11	505553	CURVED BACK BRACKET S626	
12	221091	1/4-28 x 1/2 BH C/S BLK W/PTCH	
13	221092	1/4-28 x 7/16 BH CS BLK W/PTCH	
14	481471	GLIDE SPACER	
15	267021	WASHER FLAT # 8 ZINC	

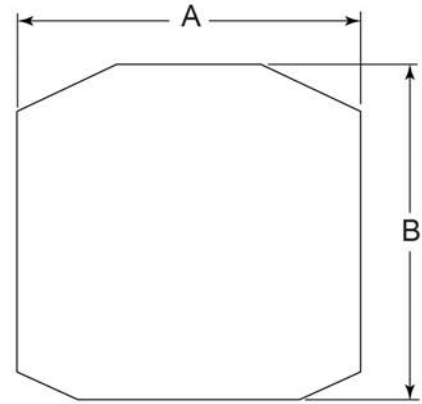
Pos.	Item Number	Description	Remarks
16	102257	BHCS M4 X .7 X 8 INORGANIC	
17	481419	1/4-28 CHANNEL NUT 1.75" SP	
20	680155	COVER SEAT/BACK GAP T&R	
21	505621	IGUS GLIDE - N	
18,19	681860	BACK CUSHION 16 X16" SOLID BK	USE WITH 22-23" BACK HEIGHT
18,19	681861	BACK CUSHION 16 X18" SOLID BK	USE WITH 24-25" BACK HEIGHT
18,19	681862	BACK CUSHION 16 X20" SOLID BK	USE WITH 26-27" BACK HEIGHT
18,19	681863	BACK CUSHION 16 X22" SOLID BK	USE WITH 28-29" BACK HEIGHT
18,19	681864	BACK CUSHION 16 X24" SOLID BK	USE WITH 30" BACK HEIGHT
18,19	681865	BACK CUSHION 17 X16" SOLID BK	USE WITH 22-23" BACK HEIGHT
18,19	681866	BACK CUSHION 17 X18" SOLID BK	USE WITH 24-25" BACK HEIGHT
18,19	681867	BACK CUSHION 17 X20" SOLID BK	USE WITH 26-27" BACK HEIGHT
18,19	681868	BACK CUSHION 17 X22" SOLID BK	USE WITH 28-29" BACK HEIGHT
18,19	681869	BACK CUSHION 17 X24" SOLID BK	USE WITH 30" BACK HEIGHT
18,19	681870	BACK CUSHION 18 X16" SOLID BK	USE WITH 22-23" BACK HEIGHT
18,19	681871	BACK CUSHION 18 X18" SOLID BK	USE WITH 24-25" BACK HEIGHT
18,19	681872	BACK CUSHION 18 X20" SOLID BK	USE WITH 26-27" BACK HEIGHT
18,19	681873	BACK CUSHION 18 X22" SOLID BK	USE WITH 28-29" BACK HEIGHT
18,19	681874	BACK CUSHION 18 X24" SOLID BK	USE WITH 30" BACK HEIGHT
18,19	681875	BACK CUSHION 19 X16" SOLID BK	USE WITH 22-23" BACK HEIGHT
18,19	681876	BACK CUSHION 19 X18" SOLID BK	USE WITH 24-25" BACK HEIGHT
18,19	681877	BACK CUSHION 19 X20" SOLID BK	USE WITH 26-27" BACK HEIGHT
18,19	681878	BACK CUSHION 19 X22" SOLID BK	USE WITH 28-29" BACK HEIGHT
18,19	681879	BACK CUSHION 19 X24" SOLID BK	USE WITH 30" BACK HEIGHT
18,19	681880	BACK CUSHION 20 X16" SOLID BK	USE WITH 22-23" BACK HEIGHT
18,19	681881	BACK CUSHION 20 X18" SOLID BK	USE WITH 24-25" BACK HEIGHT
18,19	681882	BACK CUSHION 20 X20" SOLID BK	USE WITH 26-27" BACK HEIGHT
18,19	681883	BACK CUSHION 20 X22" SOLID BK	USE WITH 28-29" BACK HEIGHT
18,19	681884	BACK CUSHION 20 X24" SOLID BK	USE WITH 30" BACK HEIGHT
18,19	681885	BACK CUSHION 22 X16" SOLID BK	USE WITH 22-23" BACK HEIGHT
18,19	681886	BACK CUSHION 22 X18" SOLID BK	USE WITH 24-25" BACK HEIGHT
18,19	681887	BACK CUSHION 22 X20" SOLID BK	USE WITH 26-27" BACK HEIGHT
18,19	681888	BACK CUSHION 22 X22" SOLID BK	USE WITH 28-29" BACK HEIGHT
18,19	681889	BACK CUSHION 22 X24" SOLID BK	USE WITH 30" BACK HEIGHT
1,2,4	887002	SLD BCK SHELL ASSM 16WX14T T/R	USE WITH 22-23" BACK HEIGHT
1,2,4	887003	SLD BCK SHELL ASSM 17WX14T T/R	USE WITH 22-23" BACK HEIGHT
1,2,4	887004	SLD BCK SHELL ASSM 18WX14T T/R	USE WITH 22-23" BACK HEIGHT
1,2,4	887005	SLD BCK SHELL ASSM 19WX14T T/R	USE WITH 22-23" BACK HEIGHT
1,2,4	887006	SLD BCK SHELL ASSM 20WX14T T/R	USE WITH 22-23" BACK HEIGHT
1,2,4	887007	SLD BCK SHELL ASSM 22WX14T T/R	USE WITH 22-23" BACK HEIGHT
1,2,4	887011	SLD BCK SHELL ASSM 16WX16T T/R	USE WITH 24-25" BACK HEIGHT
1,2,4	887012	SLD BCK SHELL ASSM 17WX16T T/R	USE WITH 24-25" BACK HEIGHT
1,2,4	887013	SLD BCK SHELL ASSM 18WX16T T/R	USE WITH 24-25" BACK HEIGHT
1,2,4	887014	SLD BCK SHELL ASSM 19WX16T T/R	USE WITH 24-25" BACK HEIGHT
1,2,4	887015	SLD BCK SHELL ASSM 20WX16T T/R	USE WITH 24-25" BACK HEIGHT
1,2,4	887016	SLD BCK SHELL ASSM 22WX16T T/R	USE WITH 24-25" BACK HEIGHT
1,2,4	887020	SLD BCK SHELL ASSM 16WX18T T/R	USE WITH 26-27" BACK HEIGHT
1,2,4	887021	SLD BCK SHELL ASSM 17WX18T T/R	USE WITH 26-27" BACK HEIGHT
1,2,4	887022	SLD BCK SHELL ASSM 18WX18T T/R	USE WITH 26-27" BACK HEIGHT
1,2,4	887023	SLD BCK SHELL ASSM 19WX18T T/R	USE WITH 26-27" BACK HEIGHT
1,2,4	887024	SLD BCK SHELL ASSM 20WX18T T/R	USE WITH 26-27" BACK HEIGHT
1,2,4	887025	SLD BCK SHELL ASSM 22WX18T T/R	USE WITH 26-27" BACK HEIGHT
1,2,4	887029	SLD BCK SHELL ASSM 16WX20T T/R	USE WITH 28-29" BACK HEIGHT
1,2,4	887030	SLD BCK SHELL ASSM 17WX20T T/R	USE WITH 28-29" BACK HEIGHT
1,2,4	887031	SLD BCK SHELL ASSM 18WX20T T/R	USE WITH 28-29" BACK HEIGHT
1,2,4	887032	SLD BCK SHELL ASSM 19WX20T T/R	USE WITH 28-29" BACK HEIGHT



<b>Pos.</b>	<b>Item Number</b>	<b>Description</b>	<b>Remarks</b>
1,2,4	887033	SLD BCK SHELL ASSM 20WX20T T/R	USE WITH 28-29" BACK HEIGHT
1,2,4	887034	SLD BCK SHELL ASSM 22WX20T T/R	USE WITH 28-29" BACK HEIGHT
1,2,4	887038	SLD BCK SHELL ASSM 16WX22T T/R	USE WITH 30" BACK HEIGHT
1,2,4	887039	SLD BCK SHELL ASSM 17WX22T T/R	USE WITH 30" BACK HEIGHT
1,2,4	887040	SLD BCK SHELL ASSM 18WX22T T/R	USE WITH 30" BACK HEIGHT
1,2,4	887041	SLD BCK SHELL ASSM 19WX22T T/R	USE WITH 30" BACK HEIGHT
1,2,4	887042	SLD BCK SHELL ASSM 20WX22T T/R	USE WITH 30" BACK HEIGHT
1,2,4	887043	SLD BCK SHELL ASSM 22WX22T T/R	USE WITH 30" BACK HEIGHT

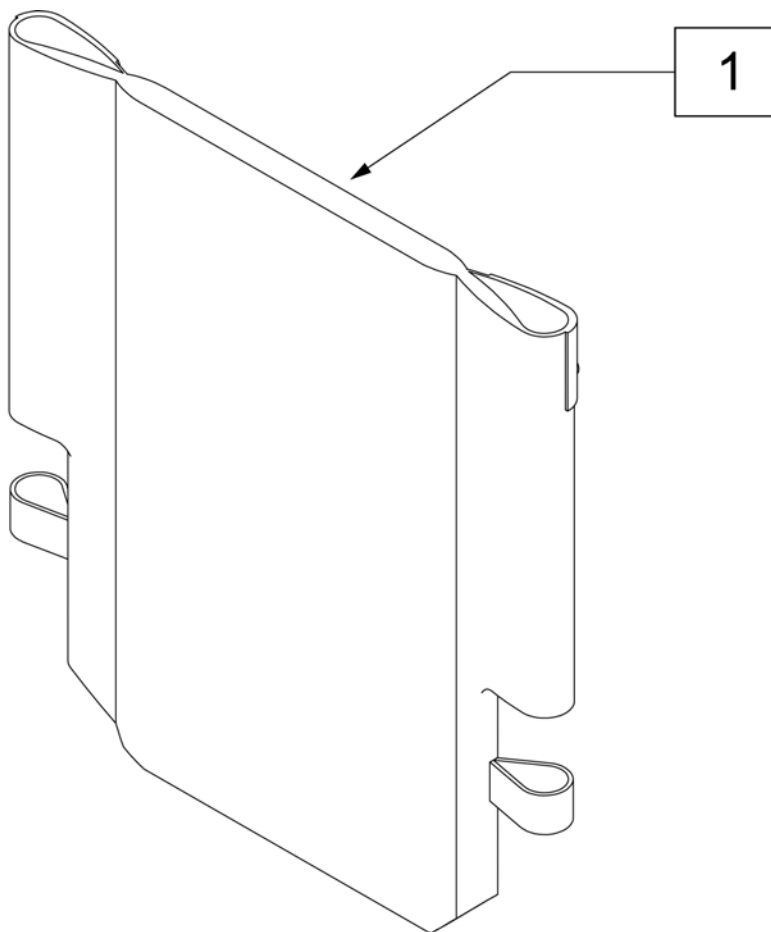


**MEASURING GUIDE**

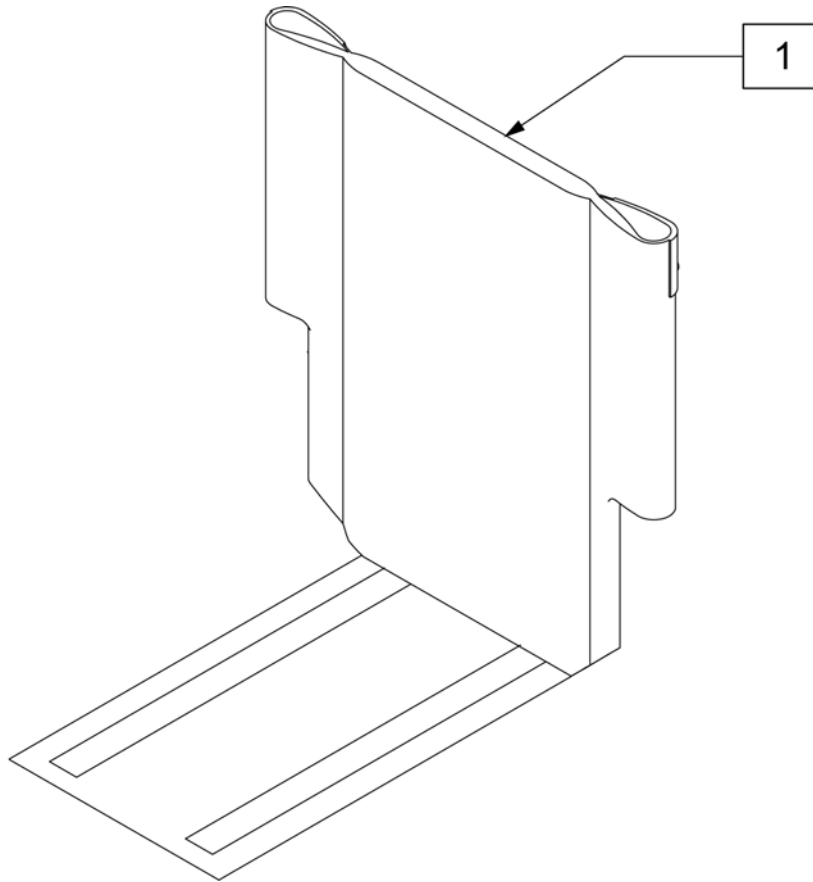


PART#	DESCRIPTION	DIM "A"	DIM "B"	THICKNESS
124586	CUSHION, BACK 16W X 18T X 2"	16"	18"	2"
124587	CUSHION, BACK 16W X 20T X 2"	16"	20"	2"
124588	CUSHION, BACK 16W X 22T X 2"	16"	22"	2"
124589	CUSHION, BACK 16W X 24T X 2"	16"	24"	2"
124590	CUSHION, BACK 16W X 18T X 3"	16"	18"	3"
124591	CUSHION, BACK 16W X 20T X 3"	16"	20"	3"
124592	CUSHION, BACK 16W X 22T X 3"	16"	22"	3"
124593	CUSHION, BACK 16W X 24T X 3"	16"	24"	3"
124594	CUSHION, BACK 18W X 18T X 2"	18"	18"	2"
124595	CUSHION, BACK 18W X 20T X 2"	18"	20"	2"
124596	CUSHION, BACK 18W X 22T X 2"	18"	22"	2"
124597	CUSHION, BACK 18W X 24T X 2"	18"	24"	2"
124598	CUSHION, BACK 18W X 18T X 3"	18"	18"	3"
124599	CUSHION, BACK 18W X 20T X 3"	18"	20"	3"
124600	CUSHION, BACK 18W X 22T X 3"	18"	22"	3"
124601	CUSHION, BACK 18W X 24T X 3"	18"	24"	3"
124602	CUSHION, BACK 20W X 18T X 2"	20"	18"	2"
124603	CUSHION, BACK 20W X 20T X 2"	20"	20"	2"
124604	CUSHION, BACK 20W X 22T X 2"	20"	22"	2"
124605	CUSHION, BACK 20W X 24T X 2"	20"	24"	2"
124606	CUSHION, BACK 20W X 18T X 3"	20"	18"	3"
124607	CUSHION, BACK 20W X 20T X 3"	20"	20"	3"
124608	CUSHION, BACK 20W X 22T X 3"	20"	22"	3"
124609	CUSHION, BACK 20W X 24T X 3"	20"	24"	3"

Pos.	Item Number	Description	Pos.	Item Number	Description
1	124586	CUSHION, BACK 16W X 18T X 2"	1	124598	CUSHION, BACK 18W X 18T X 3"
1	124587	CUSHION, BACK 16W X 20T X 2"	1	124599	CUSHION, BACK 18W X 20T X 3"
1	124588	CUSHION, BACK 16W X 22T X 2"	1	124600	CUSHION, BACK 18W X 22T X 3"
1	124589	CUSHION, BACK 16W X 24T X 2"	1	124601	CUSHION, BACK 18W X 24T X 3"
1	124590	CUSHION, BACK 16W X 18T X 3"	1	124602	CUSHION, BACK 20W X 18T X 2"
1	124591	CUSHION, BACK 16W X 20T X 3"	1	124603	CUSHION, BACK 20W X 20T X 2"
1	124592	CUSHION, BACK 16W X 22T X 3"	1	124604	CUSHION, BACK 20W X 22T X 2"
1	124593	CUSHION, BACK 16W X 24T X 3"	1	124605	CUSHION, BACK 20W X 24T X 2"
1	124594	CUSHION, BACK 18W X 18T X 2"	1	124606	CUSHION, BACK 20W X 18T X 3"
1	124595	CUSHION, BACK 18W X 20T X 2"	1	124607	CUSHION, BACK 20W X 20T X 3"
1	124596	CUSHION, BACK 18W X 22T X 2"	1	124608	CUSHION, BACK 20W X 22T X 3"
1	124597	CUSHION, BACK 18W X 24T X 2"	1	124609	CUSHION, BACK 20W X 24T X 3"



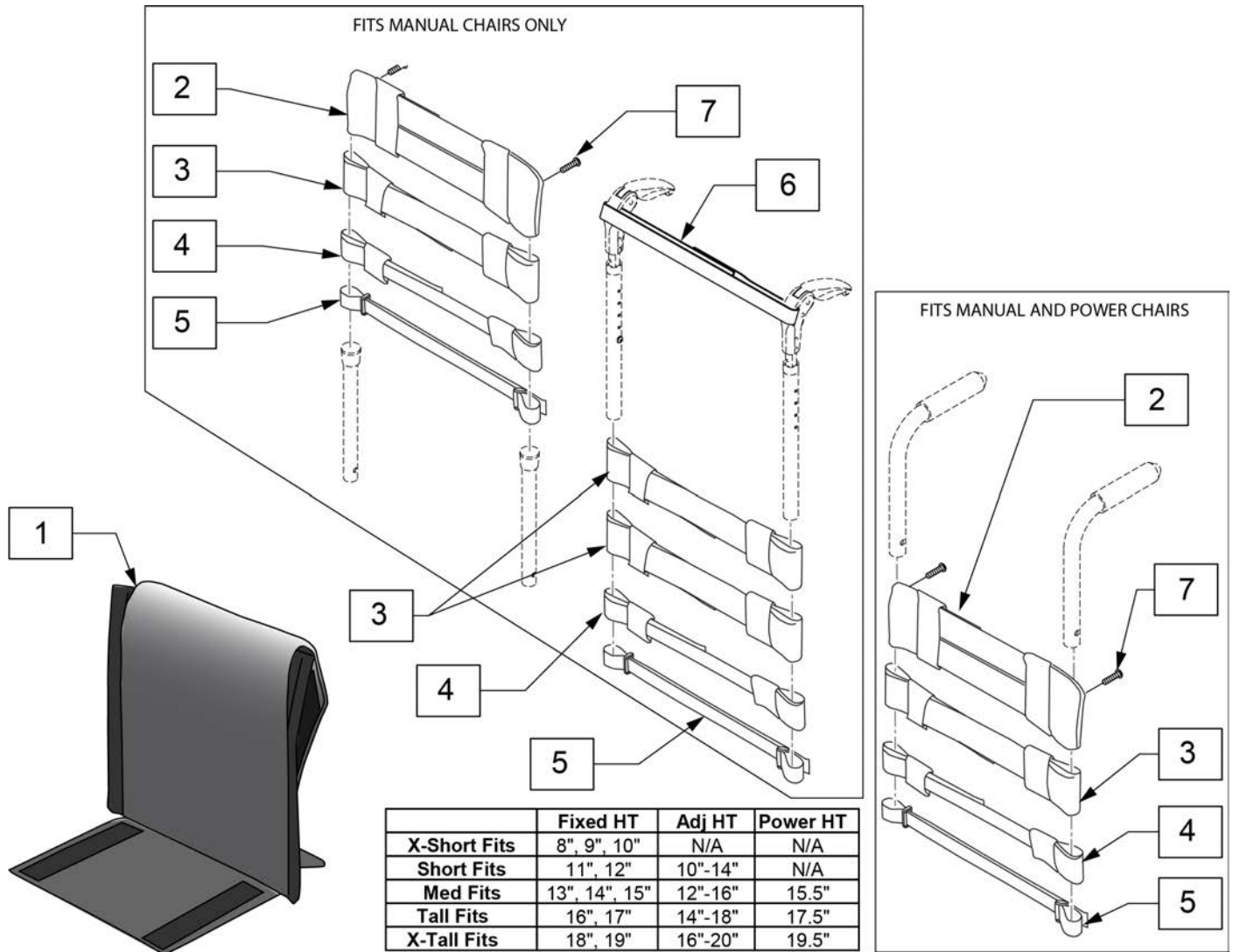
Pos.	Item Number	Description	Pos.	Item Number	Description	Pos.	Item Number	Description
1	687930	BACK UPH 12 LOW	1	686935	BACK UPH 15" TALL P2	1	686941	BACK UPH 19" MED P2
1	687931	BACK UPH 12 MED	1	686961	BACK UPH 16" LOW P2	1	686942	BACK UPH 19" TALL P2
1	687932	BACK UPH 12 TALL	1	686962	BACK UPH 16" MED P2	1	686943	BACK UPH 20" LOW P2
1	687935	BACK UPH 13 LOW	1	686963	BACK UPH 16" TALL P2	1	686944	BACK UPH 20" MED P2
1	687936	BACK UPH 13 MED	1	686936	BACK UPH 17" LOW P2	1	686945	BACK UPH 20" TALL P2
1	687937	BACK UPH 13 TALL	1	686937	BACK UPH 17" MED P2	1	687914	BACK UPH 22" LOW S626
1	686930	BACK UPH 14" LOW P2	1	686938	BACK UPH 17" TALL P2	1	687915	BACK UPH 22" MED S626
1	686931	BACK UPH 14" MED P2	1	686981	BACK UPH 18" LOW P2	1	687916	BACK UPH 22" TALL S626
1	686932	BACK UPH 14" TALL P2	1	686982	BACK UPH 18" MED P2	1	687919	BACK UPH 24" LOW S626
1	686933	BACK UPH 15" LOW P2	1	686983	BACK UPH 18" TALL P2	1	687920	BACK UPH 24" MED S626
1	686934	BACK UPH 15" MED P2	1	686940	BACK UPH 19" LOW P2	1	687921	BACK UPH 24" TALL S626



Pos.	Item Number	Description	Remarks
1	010661-001	UPH BCKRST ASSM 12W 38-42/43CM	LOW & MED BACK HEIGHTS
1	010661-002	UPH BCKRST ASSM 13W 38-42/43CM	LOW & MED BACK HEIGHTS
1	010661-003	UPH BCKRST ASSM 14W 38-42/43CM	LOW & MED BACK HEIGHTS
1	010661-004	UPH BCKRST ASSM 15W 38-42/43CM	LOW & MED BACK HEIGHTS
1	010661-005	UPH BCKRST ASSM 16W 38-42/43CM	LOW & MED BACK HEIGHTS
1	010661-006	UPH BCKRST ASSM 17W 38-42/43CM	LOW & MED BACK HEIGHTS
1	010661-007	UPH BCKRST ASSM 18W 38-42/43CM	LOW & MED BACK HEIGHTS
1	010661-008	UPH BCKRST ASSM 19W 38-42/43CM	LOW & MED BACK HEIGHTS
1	010661-009	UPH BCKRST ASSM 20W 38-42/43CM	LOW & MED BACK HEIGHTS
1	010661-010	UPH BCKRST ASSM 21W 38-42/43CM	LOW & MED BACK HEIGHTS
1	010661-011	UPH BCKRST ASSM 22W 38-42/43CM	LOW & MED BACK HEIGHTS
1	010661-012	UPH BCKRST ASSM 23W 38-42/43CM	LOW & MED BACK HEIGHTS
1	010662-001	UPH BCKRST ASSM 12W 48CM	TALL BACK HEIGHTS
1	010662-002	UPH BCKRST ASSM 13W 48CM	TALL BACK HEIGHTS
1	010662-003	UPH BCKRST ASSM 14W 48CM	TALL BACK HEIGHTS
1	010662-004	UPH BCKRST ASSM 15W 48CM	TALL BACK HEIGHTS
1	010662-005	UPH BCKRST ASSM 16W 48CM	TALL BACK HEIGHTS
1	010662-006	UPH BCKRST ASSM 17W 48CM	TALL BACK HEIGHTS
1	010662-007	UPH BCKRST ASSM 18W 48CM	TALL BACK HEIGHTS
1	010662-008	UPH BCKRST ASSM 19W 48CM	TALL BACK HEIGHTS
1	010662-009	UPH BCKRST ASSM 20W 48CM	TALL BACK HEIGHTS
1	010662-010	UPH BCKRST ASSM 21W 48CM	TALL BACK HEIGHTS
1	010662-011	UPH BCKRST ASSM 22W 48CM	TALL BACK HEIGHTS
1	010662-012	UPH BCKRST ASSM 23W 48CM	TALL BACK HEIGHTS

Pos.	Item Number	Description	Remarks
1	010662-013	UPH BCKRST ASSM 24W 48CM	TALL BACK HEIGHTS

Note: Each back height uses a different variation of back straps, replacement strap kits contain more straps than needed to support all back heights.



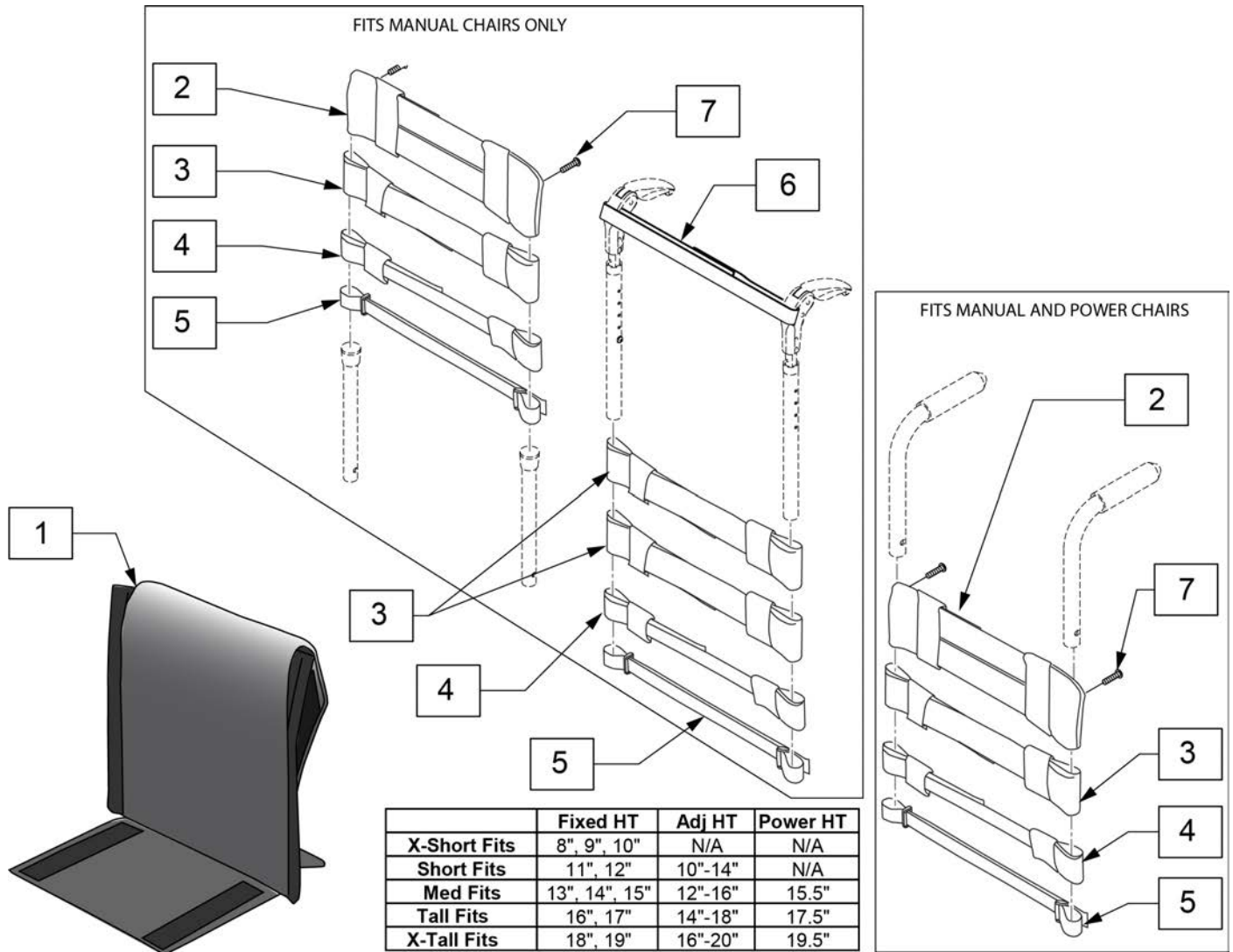
Pos.	Item Number	Description	Remarks
2	113712	TOP CAP, STD, 11 -12"	Used for omit push handle & Integral Push Handle only
2	113713	TOP CAP, STD, 13 -14"	Used for omit push handle & Integral Push Handle only
2	113714	TOP CAP, STD, 15 -16"	Used for omit push handle & Integral Push Handle only
2	113715	TOP CAP, STD, 17 -18"	Used for omit push handle & Integral Push Handle only
2	113716	TOP CAP, STD, 19 -20"	Used for omit push handle & Integral Push Handle only
3	113727	STRAP PADDED 2", 11 -12"	
3	113728	STRAP PADDED 2", 13 -14"	
3	113729	STRAP PADDED 2", 15 -16"	
3	113730	STRAP PADDED 2", 17 -18"	
3	113731	STRAP PADDED 2", 19 -20"	
4	113732	STRAP PADDED 1", 11 -12"	
4	113733	STRAP PADDED 1", 13 -14"	
4	113734	STRAP PADDED 1", 15 -16"	
4	113735	STRAP PADDED 1", 16 -17"	

Pos.	Item Number	Description	Remarks
4	113736	STRAP PADDED 1", 18 -19"	
5	113717	POSITION STRAP 1", 11 -12	
5	113718	POSITION STRAP 1", 13 -14	
5	113719	POSITION STRAP 1", 15 -16	
5	113720	POSITION STRAP 1", 17 -18	
5	113721	POSITION STRAP 1", 19 -20	
6	052435-001	UPH,VNTD ADJ.,FPH STRP,12-13"W	Fold Down Push Handles only
6	052435-002	UPH,VNTD ADJ.,FPH STRP,14-15"W	Fold Down Push Handles only
6	052435-003	UPH,VNTD ADJ.,FPH STRP,16-17"W	Fold Down Push Handles only
6	052435-004	UPH,VNTD ADJ.,FPH STRP,18-20"W	Fold Down Push Handles only
7	107384	PAN HD PHIL 10/32 X 5/8 ROHS	
2-7	114879	ADJ UPH 11-12W STRAP KIT	
2-7	114880	ADJ UPH 13-14W STRAP KIT	
2-7	114881	ADJ UPH 15-16W STRAP KIT	
2-7	114882	ADJ UPH 17-18W STRAP KIT	
2-7	114883	ADJ UPH 19-20W STRAP KIT	
1A-7	113322-001	VNT ADJ UP 12W X-SHT ASM	
1B-7	113322-002	VNT ADJ UP 12W SHT ASM	
1C-7	113322-003	VNT ADJ UP 12W MED ASM	
1D-7	113322-004	VNT ADJ UP 12W TAL ASM	
1E-7	113322-005	VNT ADJ UP 12W X-TAL ASM	
1A-7	113322-006	VNT ADJ UP 13W X-SHT ASM	
1B-7	113322-007	VNT ADJ UP 13-W SHT ASM	
1C-7	113322-008	VNT ADJ UP 13W MED ASM	
1D-7	113322-009	VNT ADJ UP 13W TAL ASM	
1E-7	113322-010	VNT ADJ UP 13W X-TAL ASM	
1A-7	113322-011	VNT ADJ UP 14W X-SHT ASM	
1B-7	113322-012	VNT ADJ UP 14W SHT ASM	
1C-7	113322-013	VNT ADJ UP 14W MED ASM	
1D-7	113322-014	VNT ADJ UP 14W TAL ASM	
1E-7	113322-015	VNT ADJ UP 14W X-TAL ASM	
1A-7	113322-016	VNT ADJ UP 15W X-SHT ASM	
1B-7	113322-017	VNT ADJ UP 15W SHT ASM	
1C-7	113322-018	VNT ADJ UP 15W MED ASM	
1D-7	113322-019	VNT ADJ UP 15W TAL ASM	
1E-7	113322-020	VNT ADJ UP 15W X-TAL ASM	
1A-7	113322-021	VNT ADJ UP 16W X-SHT ASM	
1B-7	113322-022	VNT ADJ UP 16W SHT ASM	
1C-7	113322-023	VNT ADJ UP 16W MED ASM	
1D-7	113322-024	VNT ADJ UP 16W TAL ASM	
1E-7	113322-025	VNT ADJ UP 16W X-TAL ASM	
1A-7	113322-026	VNT ADJ UP 17W X-SHT ASM	
1B-7	113322-027	VNT ADJ UP 17W SHT ASM	
1C-7	113322-028	VNT ADJ UP 17W MED ASM	
1D-7	113322-029	VNT ADJ UP 17W TAL ASM	
1E-7	113322-030	VNT ADJ UP 17W X-TAL ASM	
1A-7	113322-031	VNT ADJ UP 18W X-SHT ASM	
1B-7	113322-032	VNT ADJ UP 18W SHT ASM	
1C-7	113322-033	VNT ADJ UP 18W MED ASM	
1D-7	113322-034	VNT ADJ UP 18W TAL ASM	
1E-7	113322-035	VNT ADJ UP 18W X-TAL ASM	
1A-7	113322-036	VNT ADJ UP 19W X-SHT ASM	
1B-7	113322-037	VNT ADJ UP 19W SHT ASM	
1C-7	113322-038	VNT ADJ UP 19W MED ASM	
1D-7	113322-039	VNT ADJ UP 19W TAL ASM	
1E-7	113322-040	VNT ADJ UP 19W X-TAL ASM	

Pos.	Item Number	Description	Remarks
1A-7	113322-041	VNT ADJ UP 20W X-SHT ASM	
1B-7	113322-042	VNT ADJ UP 20W SHT ASM	
1C-7	113322-043	VNT ADJ UP 20W MED ASM	
1D-7	113322-044	VNT ADJ UP 20W TAL ASM	
1E-7	113322-045	VNT ADJ UP 20W X-TAL ASM	



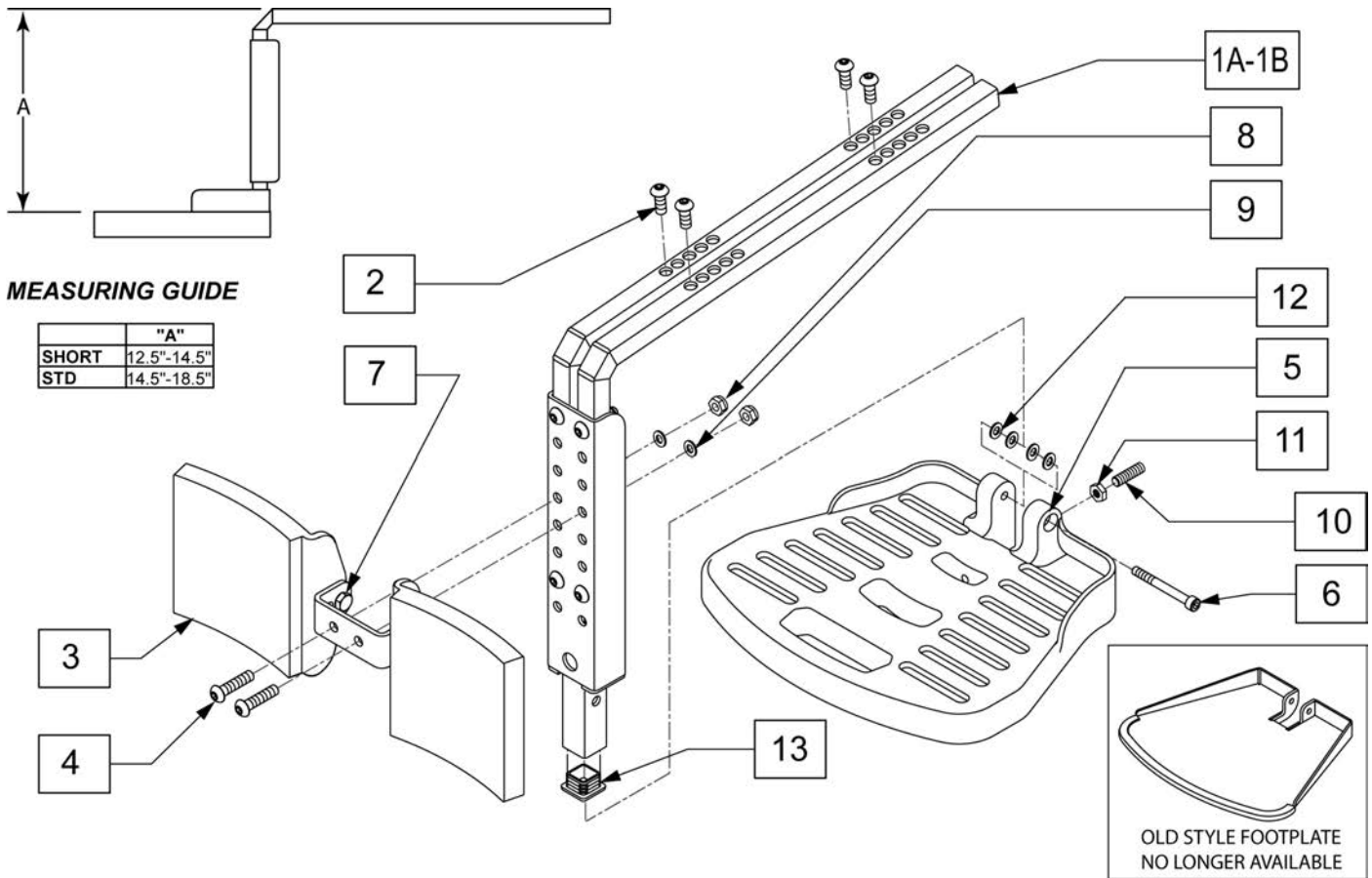
Note: Each back height uses a different variation of back straps, replacement strap kits contain more straps than needed to support all back heights.



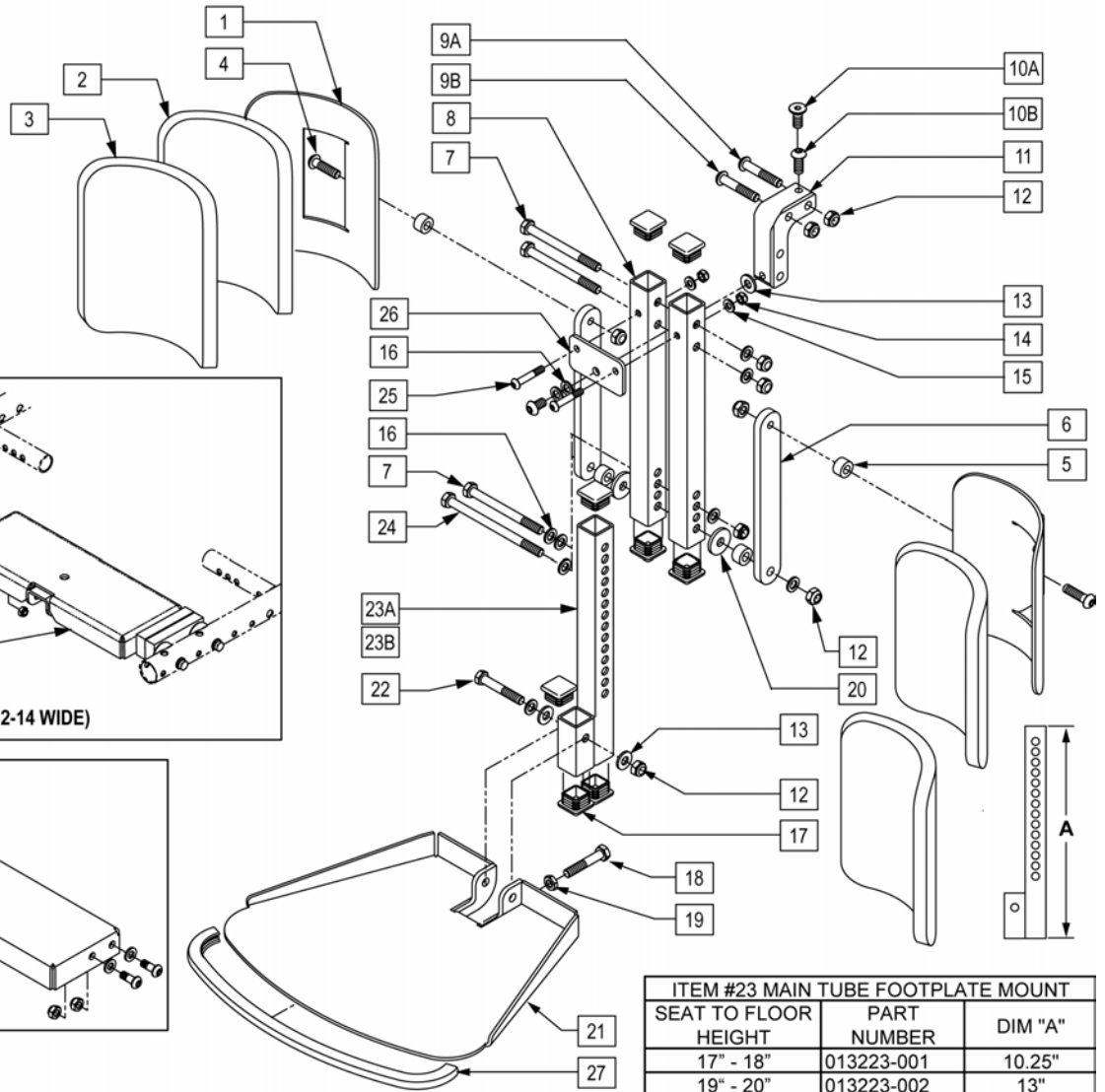
Pos.	Item Number	Description	Remarks
2	113712	TOP CAP, STD, 11 -12"	Used for omit push handle & Integral Push Handle only
2	113713	TOP CAP, STD, 13 -14"	Used for omit push handle & Integral Push Handle only
2	113714	TOP CAP, STD, 15 -16"	Used for omit push handle & Integral Push Handle only
2	113715	TOP CAP, STD, 17 -18"	Used for omit push handle & Integral Push Handle only
2	113716	TOP CAP, STD, 19 -20"	Used for omit push handle & Integral Push Handle only
3	113727	STRAP PADDED 2", 11 -12"	
3	113728	STRAP PADDED 2", 13 -14"	
3	113729	STRAP PADDED 2", 15 -16"	
3	113730	STRAP PADDED 2", 17 -18"	
3	113731	STRAP PADDED 2", 19 -20"	
4	113732	STRAP PADDED 1", 11 -12"	
4	113733	STRAP PADDED 1", 13 -14"	
4	113734	STRAP PADDED 1", 15 -16"	
4	113735	STRAP PADDED 1", 16 -17"	

Pos.	Item Number	Description	Remarks
4	113736	STRAP PADDED 1", 18 -19"	
5	113718	POSITION STRAP 1", 11 -12	
5	113719	POSITION STRAP 1", 13 -14	
5	113720	POSITION STRAP 1", 15 -16	
5	113721	POSITION STRAP 1", 17 -18	
5	113722	POSITION STRAP 1", 19 -20	
6	052435-001	UPH,VNTD ADJ.,FPH STRP,12-13"W	Fold Down Push Handles only
6	052435-002	UPH,VNTD ADJ.,FPH STRP,14-15"W	Fold Down Push Handles only
6	052435-003	UPH,VNTD ADJ.,FPH STRP,16-17"W	Fold Down Push Handles only
6	052435-004	UPH,VNTD ADJ.,FPH STRP,18-20"W	Fold Down Push Handles only
7	107384	PAN HD PHIL 10/32 X 5/8 ROHS	
2-7	114879	ADJ UPH 11-12W STRAP KIT	
2-7	114880	ADJ UPH 13-14W STRAP KIT	
2-7	114881	ADJ UPH 15-16W STRAP KIT	
2-7	114882	ADJ UPH 17-18W STRAP KIT	
2-7	114883	ADJ UPH 19-20W STRAP KIT	
1A-7	113321-001	ADJ UP 12W X-SHT ASM	
1B-7	113321-002	ADJ UP 12W SHT ASM	
1C-7	113321-003	ADJ UP 12W MED ASM	
1D-7	113321-004	ADJ UP 12W TAL ASM	
1E-7	113321-005	ADJ UP 12W X-TAL ASM	
1A-7	113321-006	ADJ UP 13W X-SHT ASM	
1B-7	113321-007	ADJ UP 13W SHT ASM	
1C-7	113321-008	ADJ UP 13W MED ASM	
1D-7	113321-009	ADJ UP 13W TAL ASM	
1E-7	113321-010	ADJ UP 13W X-TAL ASM	
1A-7	113321-011	ADJ UP 14W X-SHT ASM	
1B-7	113321-012	ADJ UP 14W SHT ASM	
1C-7	113321-013	ADJ UP 14W MED ASM	
1D-7	113321-014	ADJ UP 14W TAL ASM	
1E-7	113321-015	ADJ UP 14W X-TAL ASM	
1A-7	113321-016	ADJ UP 15W X-SHT ASM	
1B-7	113321-017	ADJ UP 15W SHT ASM	
1C-7	113321-018	ADJ UP 15W MED ASM	
1D-7	113321-019	ADJ UP 15W TAL ASM	
1E-7	113321-020	ADJ UP 15W X-TAL ASM	
1A-7	113321-021	ADJ UP 16W X-SHT ASM	
1B-7	113321-022	ADJ UP 16W SHT ASM	
1C-7	113321-023	ADJ UP 16W MED ASM	
1D-7	113321-024	ADJ UP 16W TAL ASM	
1E-7	113321-025	ADJ UP 16W X-TAL ASM	
1A-7	113321-026	ADJ UP 17W X-SHT ASM	
1B-7	113321-027	ADJ UP 17W SHT ASM	
1C-7	113321-028	ADJ UP 17W MED ASM	
1D-7	113321-029	ADJ UP 17W TAL ASM	
1E-7	113321-030	ADJ UP 17W X-TAL ASM	
1A-7	113321-031	ADJ UP 18W X-SHT ASM	
1B-7	113321-032	ADJ UP 18W SHT ASM	
1C-7	113321-033	ADJ UP 18W MED ASM	
1D-7	113321-034	ADJ UP 18W TAL ASM	
1E-7	113321-035	ADJ UP 18W X-TAL ASM	
1A-7	113321-036	ADJ UP 19W X-SHT ASM	
1B-7	113321-037	ADJ UP 19W SHT ASM	
1C-7	113321-038	ADJ UP 19W MED ASM	
1D-7	113321-039	ADJ UP 19W TAL ASM	
1E-7	113321-040	ADJ UP 19W X-TAL ASM	

<b>Pos.</b>	<b>Item Number</b>	<b>Description</b>	<b>Remarks</b>
1A-7	113321-041	ADJ UP 20W X-SHT ASM	
1B-7	113321-042	ADJ UP 20W SHT ASM	
1C-7	113321-043	ADJ UP 20W MED ASM	
1D-7	113321-044	ADJ UP 20W TAL ASM	
1E-7	113321-045	ADJ UP 20W X-TAL ASM	

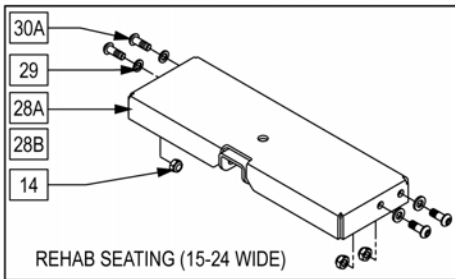
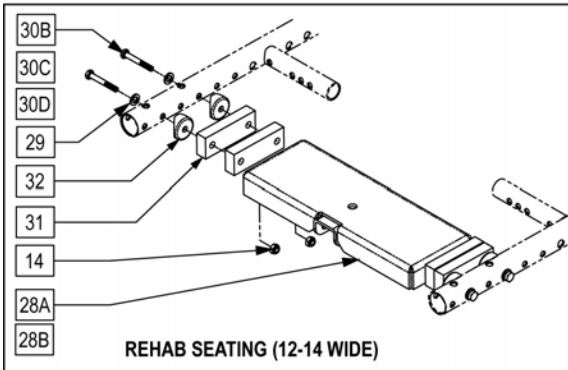


Pos.	Item Number	Description	Remarks
2	n/a	BHCS M8 X 1.25 X 20	AVAILABLE IN ASSM ONLY
4	n/a	BHCS M8 X 1.25 X 35	AVAILABLE IN ASSM ONLY
7	n/a	HHCS M8 X 1.25 X 25	AVAILABLE IN ASSM ONLY
6	n/a	SHCS M8 X 60	AVAILABLE IN ASSM ONLY
8	n/a	M8 NYLOCK NUT	AVAILABLE IN ASSM ONLY
9	n/a	M8 WASHER FLAT	AVAILABLE IN ASSM ONLY
10	n/a	SET SCREW M8 X 1.25 X 60	AVAILABLE IN ASSM ONLY
13	010615	SQUARE END CAP CNTR LEG SPVRT	
3,4,7,8,9	103118	CALF PAD AND HARDWARE	
5,6,10-12	101685	QUICKIE FOOTPLATE	
1A-13	103135	CENTER MOUNT HANGER ASSY	Used with ASAP and Captains Seat
1B-13	118493	FIXED CENTERMOUNT SHORT	Used with ASAP and Captains Seat



**REHAB SEATING (12-14 WIDE)**  
ITEM #31 1/2" SPACER

SEAT WIDTH	QTY PER SIDE
12"	0
13"	1
14"	2

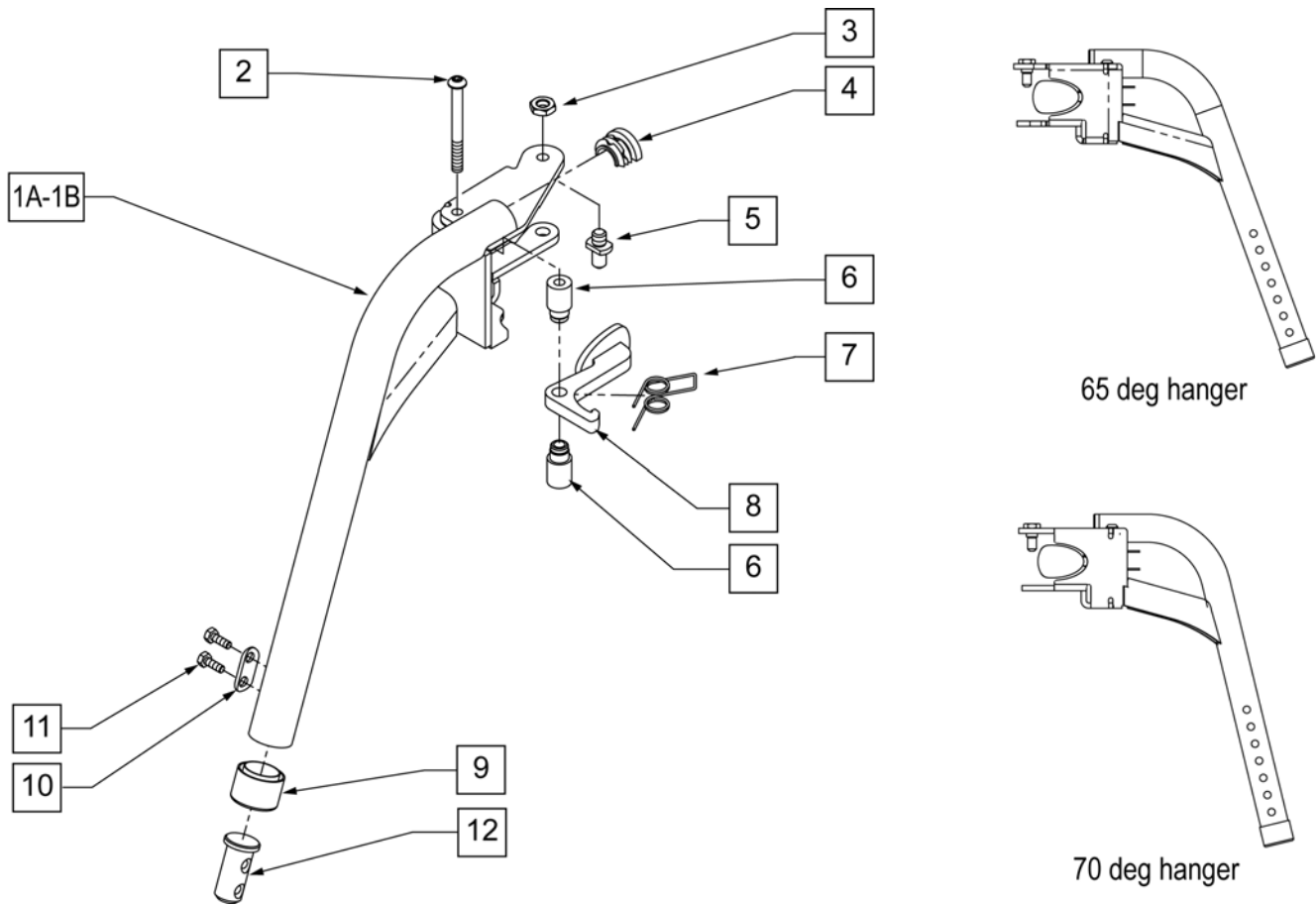


**ITEM #23 MAIN TUBE FOOTPLATE MOUNT**

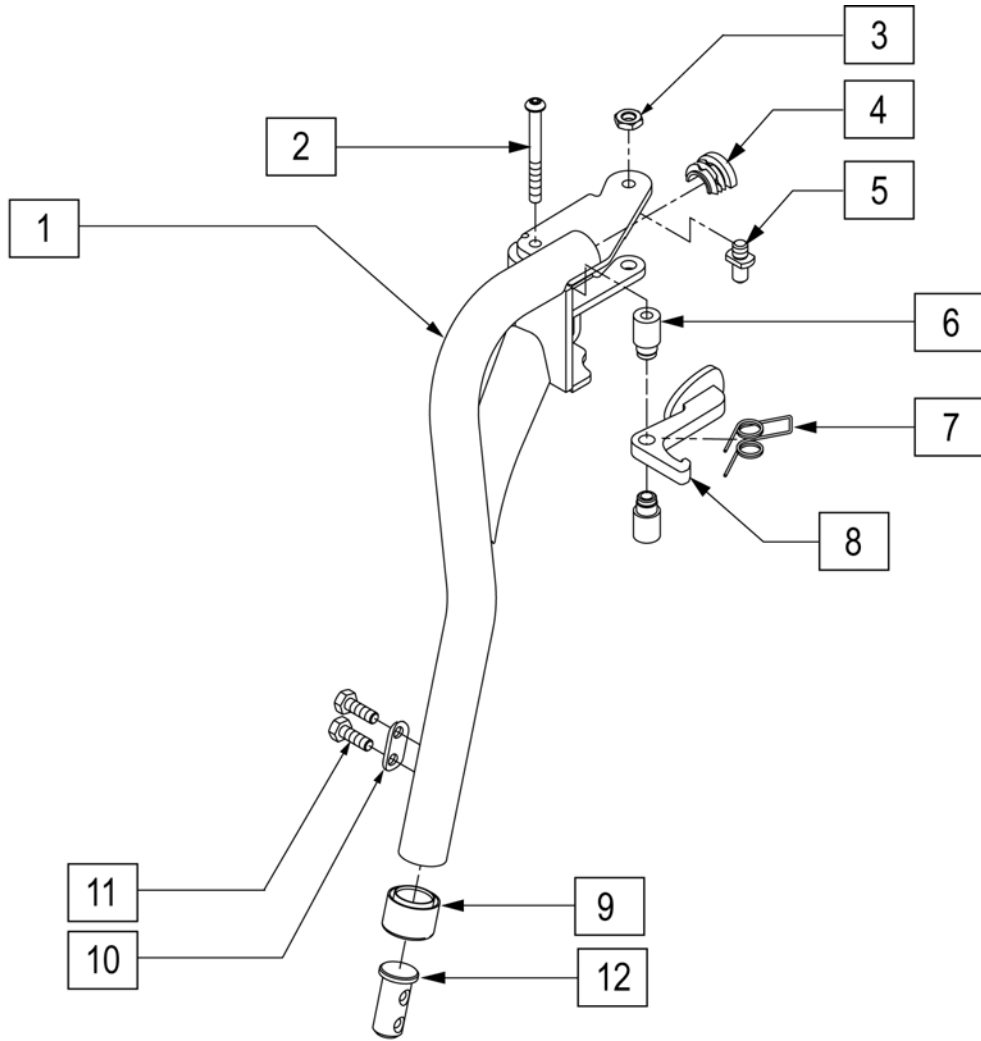
SEAT TO FLOOR HEIGHT	PART NUMBER	DIM "A"
17" - 18"	013223-001	10.25"
19" - 20"	013223-002	13"

Pos.	Item Number	Description	Remarks
4	013151	BHCS M8 x 1.25 x 30 BLK W/PL	
5	505934	SPACER 8 x 2 CASTER	
6	013887-001	BAR SA CALF PAD 160	
7	010517	M8 x 1.25 x 90 HHCS GD 10.9	
8	013194	HANGER FIX CENTER MOUNT	
9	230123	BHCS M8 x 1.25 x 45	REHAB SEAT
10A	230129	FHCS M8 x 1.25 x 20 BLK W/PL	PERFECT FIT SEAT
10B	013149	BHCS M8 x 16	REHAB SEAT
11	013186	KNUCKLE FIX CENTER MOUNT	
12	210085	NUT HEX NYLOCK M8 BLACK (REHAB SEAT)	
13	011650	WASHER NYLON M8	
14	210084	NUT HEX NYLOCK M6 BLACK	
15	106944	WASHER FLAT THIN AN 1/4 ROHS	
16	263100	5/16 AN WASHER FLAT	
17	010615	SQUARE END CAP CNTR LEG SPRT	
18	234960	M8-35 HEX C/S	

Pos.	Item Number	Description	Remarks
19	013036	M8 X 1.25 JAM NUT HEX	
20	561016	1" WASHER 5/16" HOLE	
21	013189	PLATE FOOT SUPPORT FIX	
22	013803	HHCS M8 x 1.25 x 50 BLK	
23A	013223-001	MAIN TUBE FTPLT MNT SHORT	
23B	013223-002	MAIN TUBE FTPLT MNT LNG	
24	013888	HHCS M8 x 1.25 x 130	
25	013252	BHCS M6 X 1 X 35 BLK	
26	013190	PLATE SQUARE TUBE SUPPORT	
27	014081	FOOTPLATE TRIM FIX CNTR MOUNT	
28A	013237	FRAME CENTER MT WELDMENT	
28B	013583	FRAME CENTER MT WLDMNT 12-14	
29	250104	WASHER FLAT M6	
30A	230032	M6 X 16 B/H CAP SCREW (15-24 WIDE ONLY)	FITS 15" - 24" WIDE
30B	118665	HHCS M6X1X45 PART NP	FITS 14" WIDE ONLY
30C	013035	HHCS M6 x 1.0 x 55 10.9	FITS 13" WIDE ONLY
30D	230063	HHCS M6 x 1.0 x 70	FITS 12" WIDE ONLY
31	013584	SPACER 1/2	FITS 13" - 14" WIDE
32	561004	1" SADDLE 1/4" HOLE	
1-3	013211	ASSM CALF PAD SINGLE ROW	
1-9,11-23A,24-27	100214	CENTER MNT FOOTREST ASSY SHORT	
1-9,11-23B,24-27	100215	CENTER MNT FOOTREST ASSY LONG	
4,7,9,12-16,18-20,22,24,25,29,30	101549	CENTER MOUNT LEGREST HDWR KIT	FITS 15" - 24" WIDE



Pos.	Item Number	Description	Remarks
2	013216	SCREW M6 X 60 SKT BTN BLK	
3	013036	M8 X 1.25 JAM NUT HEX	
4	013312	HALF CAP INSERT	
5	108778	PIVOT PIN, POWER	
6	013217	SPACER S/A HANGER LATCH	
7	013163	SPRING LATCH S/A HANGER	
8	013160	LATCH ARM S/A HANGER	
9	561082	1" TUBE END BUSHING THIN	
10	483717	HANGER SADDLE	
11	234891	M6 X 20 HEX C/S	
12	013369	TUBE IN EXT TB S/A HNGR EXT	
1B-9	115167	S/A HANGER ASSM 70D R	70 degree - Right
1B-9	115168	S/A HANGER ASSM 70D L	70 degree - Left
1A-9	014450	S/A HANGER ASSM 65D R	65 degree - Right
1A-9	014451	S/A HANGER ASSM 65D L	65 degree - Left

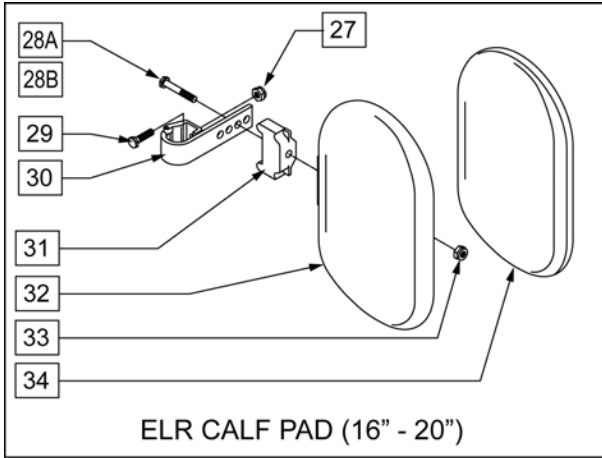


Pos.	Item Number	Description	Remarks
2	013216	SCREW M6 X 60 SKT BTN BLK	
3	013036	M8 X 1.25 JAM NUT HEX	
4	013312	HALF CAP INSERT	
5	108778	PIVOT PIN, POWER	
6	013217	SPACER S/A HANGER LATCH	
7	013163	SPRING LATCH S/A HANGER	
8	013160	LATCH ARM S/A HANGER	
9	561082	1" TUBE END BUSHING THIN	
10	483717	HANGER SADDLE	
11	234891	M6 X 20 HEX C/S	
12	013369	TUBE IN EXT TB S/A HNGR EXT	
1-9	100189	S/A HNGR ASSY TAPER 75D LH	Left
1-9	100190	S/A HNGR ASSY TAPER 75D RT	Right

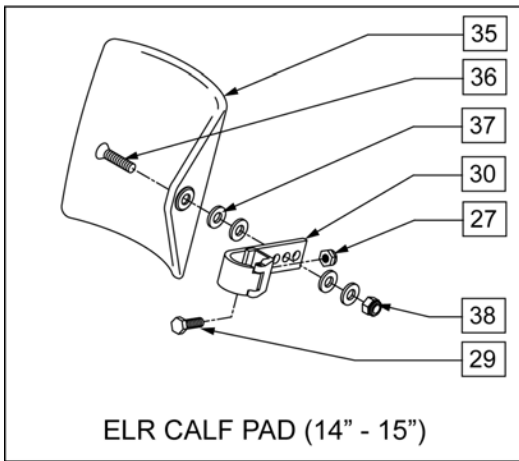


ELEVATING LEGREST

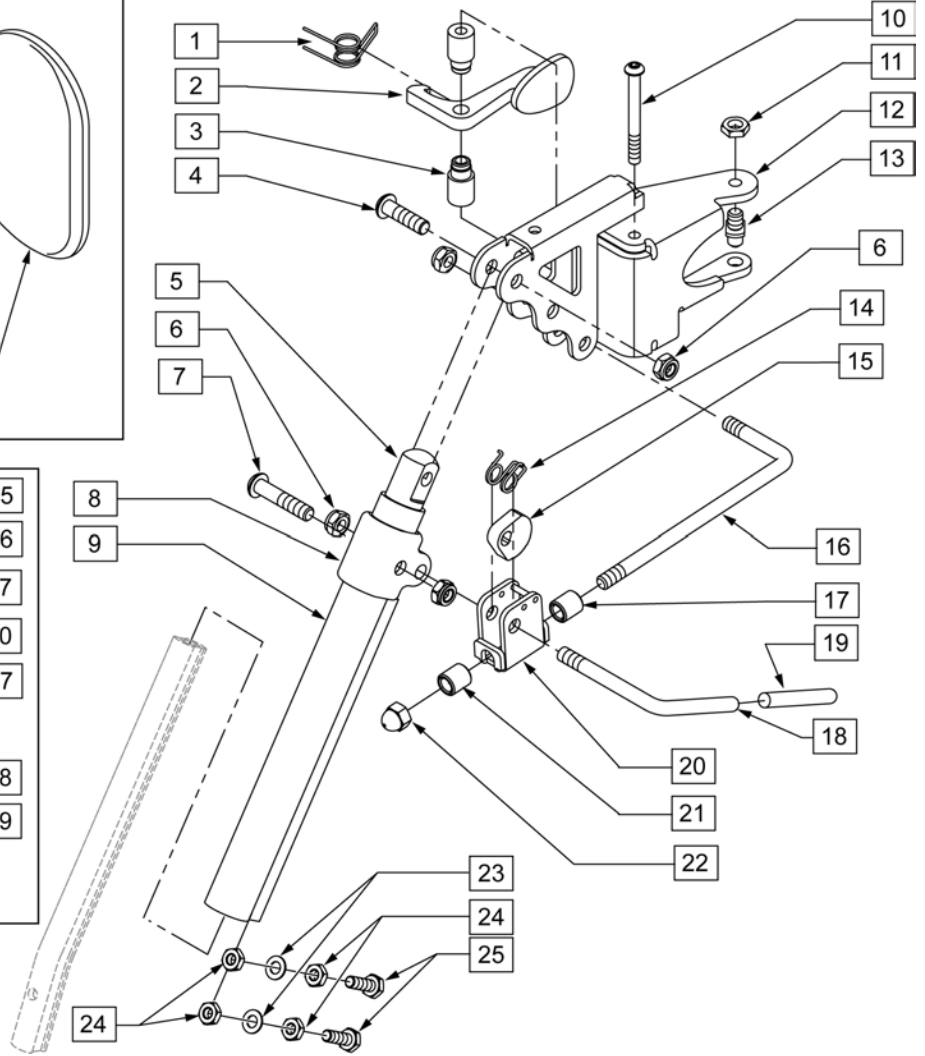
[10/2011]



ELR CALF PAD (16" - 20")

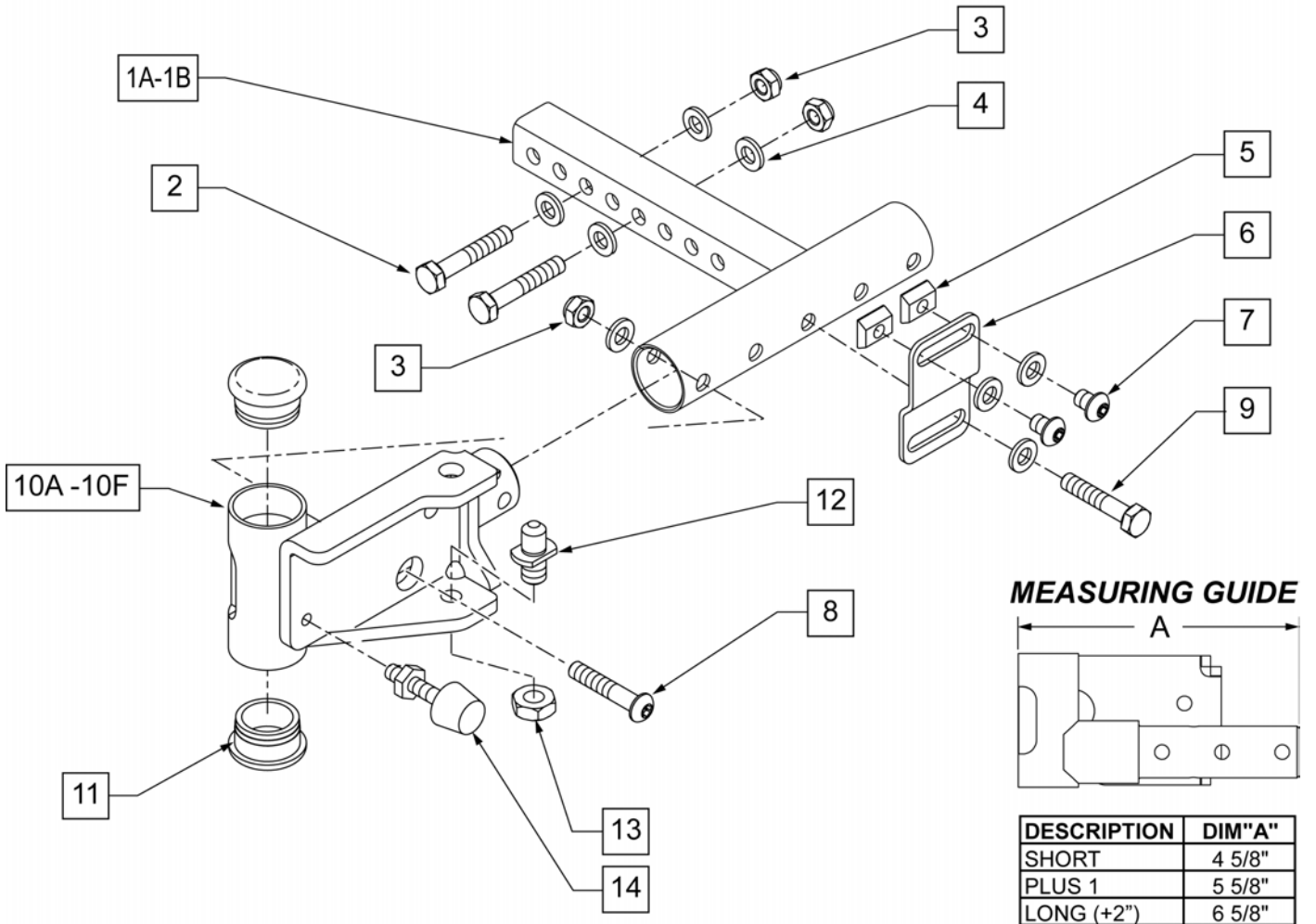


ELR CALF PAD (14" - 15")



Pos.	Item Number	Description	Remarks
1	013163	SPRING LATCH S/A HANGER	
2	013160	LATCH ARM S/A HANGER	
3	013217	SPACER S/A HANGER LATCH	
4	226343	5/16-24 X 1 1/8 BHCS BLK	
5	540252	ELR PIVOT PRS	
6	106939	5/16-24 NYLOCK NUT THIN	
7	226138	5/16-24 X 1 1/2 BH C/S	
8	560420	ELR UPPER PIVOT PLST	
9	550722S	ELR ADJUSTMENT TUBE	
10	013216	SCREW M6 X 60 SKT BTN BLK	
11	013036	M8 X 1.25 JAM NUT HEX	
13	108778	PIVOT PIN TOP S/A HANGER	
14	321106	ELR TORSION SPRING	
15	481119	ELR CAM LOCKING POWDERED METAL	
16	481242	ELR LOCK ROD S525	
17	014085	ELR ADJ STOP 20D	
18	481122	ELR ACTUATION ARM	
19	561049	ELR RELEASE ROD COVER	

Pos.	Item Number	Description	Remarks
20	880990	ELR LOCK HOUSING W/PIN	
21	560815	HEMI ELR ADJ STOP BACK LG	
22	202109	5/16-24 ACORN NUT HEX	
23	106943	1/4 AN WASHER FLAT	
24	201112	1/4-28 NUT THIN	
25	221096	1/4-28 X 5/8 HEX C/S	
27	106934	1/4-28 NYLOCK NUT	
28A	222242	5/16-18 X 2 1/2 HEX C/S	
28B	107019	HHCS 5/16-18 X 3-1/2 ROHS	(USE W/ ITEM #31)
29	221096	1/4-28 X 5/8 HEX C/S	
30	881413	CALF PAD BRACKET ASSM	
31	560199	ELR CALF HINGE SPACER	used w/ 16-17 wide calf pad
32	560108	CALF PAD MOLDED 16-20"	
33	106936	5/16-18 NYLOCK NUT THICK	
34	751045	CALF PAD COVER NEOPRENE	
35	755014	CALF PAD TROUGH STYLE 14/16	
36	222108	5/16-18 X 1 1/4 BH C/S	
37	561016	1" WASHER 5/16" HOLE"	
38	106937	5/16-18 NYLOCK NUT THIN	
27,29,30,35-38	881414	CALF PAD J-HOOK 14-15" ASSM	
27, 28A-30, 32-34.	881416	CALF PAD MOLDED 16-17" ASSM	
27, 28A-34	881412	CALF PAD MOLDED 18-20" ASSM	
1-25	101285	RHYTHM/GROOVE ELR HNGR ASSM R	
1-25	101286	RHYTHM/GROOVE ELR HNGR ASSM L	
4,6,7,10,23-25	101548	ELEVATING LEGREST HDWR KIT	
1-8,10-22	101844	ELR HNGR R RHY/GRV W/O TUBE	
1-8,10-22	101845	ELR HNGR L RHY/GRV W/O TUBE	

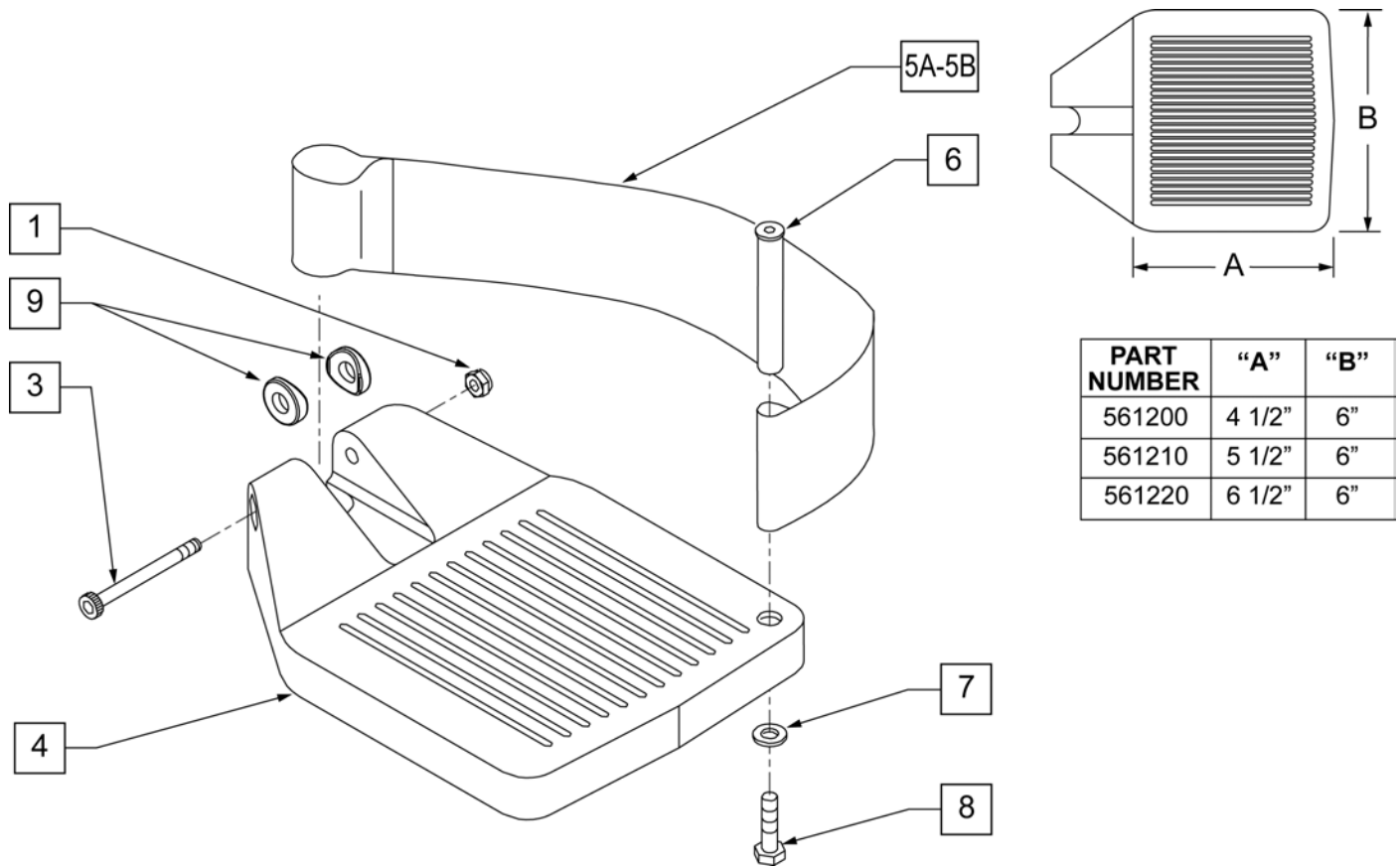


Pos.	Item Number	Description	Remarks
1A	013447	WLDMNT REC HANGER PF 15-19W	Used with Power Recline
1B	013448	WLDMNT REC HANGER PF 19-25W	Used with Power Recline
2	011600	HHCS M6 X 1.0 X 35 BLK	
3	210084	NUT HEX NYLOCK M6 BLACK	
4	250104	WASHER FLAT M6	
5	010065	M6 CHANNEL NUT	
6	013443	BRKT SUPPORT REC HANGER	
7	230113	BHCS M6X1X10 FULL PL	
8	013252	BHCS M6 X 1 X 35 BLK	
9	234891	M6 X 20 HEX C/S	
10A	111441	RCVR WLDMNT S/A HNGR SHT RIGHT	
10B	111442	RCVR WLDMNT S/A HNGR SHT LEFT	
10C	111443	RCVR WELDMNT S/A HNGR LNG RIGHT	
10D	111444	RCVR WELDMNT S/A HNGR LNG LEFT	
10E	111447	REC WLDMNT S/A HNGR + 1 RH	
10F	111448	REC WLDMNT S/A HNGR + 1 LH	
11	561002	1" INSERT PLUG .083	
12	108778	PIVOT PIN POWER	

Pos.	Item Number	Description	Remarks
13	013036	M8 NUT JAM THIN	
14	013763	STOP BUMPER	
1A-10A,11-14	014682	HNGR RCVR 15-20W WLDMNT SH	Used with Power Recline
1A-10A,11-14	014683	HNGR RCVR 15-20W WLDMNT SH	Used with Power Recline
1A-10B,11-14	014684	HNGR RCVR 15-20W WLDMNT LN	
1A-10B,11-14	014685	HNGR RCVR 15-20W WLDMNT LN	
1A-10C,11-14	014686	HNGR RCVR 15-20W WLDMNT +1	
1A-10C,11-14	014687	HNGR RCVR 15-20W WLDMNT +1	
1B-10A,11-14	014688	HNGR RCVR 19-25W WLDMNT SH	Used with Power Recline
1B-10A,11-14	014689	HNGR RCVR 19-25W WLDMNT SH	Used with Power Recline
1B-10B,11-14	014690	HNGR RCVR 19-25W WLDMNT LN	Used with Power Recline
1B-10B,11-14	014691	HNGR RCVR 19-25W WLDMNT LN	Used with Power Recline
1B-10C,11-14	014692	HNGR RCVR 19-25W WLDMNT +1	Used with Power Recline
1B-10C,11-14	014693	HNGR RCVR 19-25W WLDMNT +1	Used with Power Recline
10A, 3, 4, 8, 11-14	104780	HANGER RECEIVER ASSM SHORT	RIGHT
10B, 3, 4, 8, 11-14	104781	HANGER RECEIVER ASSM SHORT	LEFT
10C, 3, 4, 8, 11-14	104782	HANGER RECEIVER ASSM LONG	RIGHT
10D, 3, 4, 8, 11-14	104783	HANGER RECEIVER ASSM LONG	LEFT
10E, 3, 4, 8, 11-14	104785	HANGER RECEIVER ASSM +1	LEFT
10F, 3, 4, 8, 11-14	104784	HANGER RECEIVER ASSM +1	RIGHT

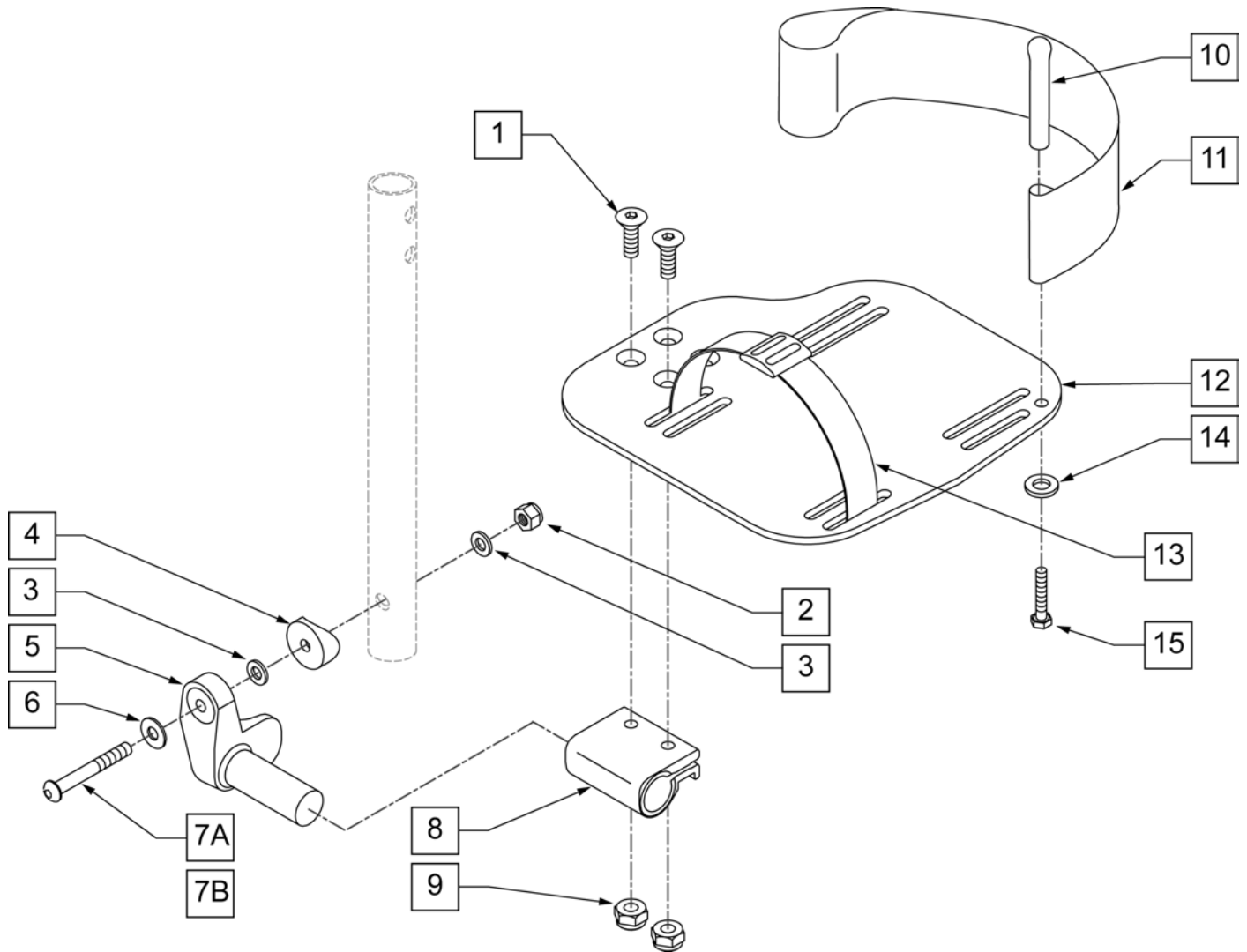
COMPOSITE FOOTPLATE

[10/2011]



Pos.	Item Number	Description	Remarks
1	106935	1/4 - 28 NYLOCK NUT	
3	226165	1/4 - 28 x 2 1/2 SOC C/S	
4	561200	COMPOSITE FOOTPLATE 14 -15 (16 -18 V )	14 -15 OR 16 -18V
4	561210	COMPOSITE FOOTPLATE 16 -17 (19 -20 V )	16 -17 OR 19 -20V
4	561220	COMPOSITE FOOTPLATE 18 -20	18 -20
5A	741151	HEEL LOOP 14-15 COMPOSITE (14 -15 or 16 -18V)	14 -15 OR 16 -18V
5A	741156	HEEL LOOP 16 -17 or 19 -20V	16 -17 OR 19 -20V
5A	741153	HEEL LOOP 18-20 COMPOSITE/14-15 ANG ADJ	18 -20
5A	902270	HEEL LOOP COMPOSITE FT 14-15	PAIR 14 -15 OR 16 -18V
5A	902271	HEEL LOOP COMPOSITE FT 16-17	PAIR 16 -17 OR 19 -20V
5A	902272	HEEL LOOP COMPOSITE FT 18-20	PAIR 18 -20
5B	741154	HEEL LOOP 14-15 COMPOSITE HEMI	14 -15 HEMI
5B	741155	HEEL LOOP 16-17 COMPOSITE HEMI	16 -17 HEMI
5B	741153	HEEL LOOP 18-20 COMPOSITE HEMI	18 -10 HEMI
5B	902260	HEEL LOOPS HEMI COMPOSITE 14-15	PAIR 14 -15 HEMI
5B	902261	HEEL LOOPS HEMI COMPOSITE 16-17	PAIR 16 -17 HEMI
5B	902262	HEEL LOOPS HEMI COMPOSITE 18-20	PAIR 18 -20 HEMI
6	561040	HEEL LOOP PEG	
7	106944	1/4 AN WASHER FLAT THIN	
8	106958	HHCS 1/4-20 X 1 ROHS	
9	561003	3/4" SADDLE THIN	USED W/ ROUND EXT TUBES ONLY
1,3,4	921180	COMPOSITE FOOTPLATE ASSM 14-15	RIGHT (14 -15 OR 16 -18V) W/O HEEL LOOP
1,3,4	921181	COMPOSITE FOOTPLATE ASSM 14-15	LEFT (14 -15 OR 16 -18V) W/O HEEL LOOP
1,3,4	921182	COMPOSITE FOOTPLATE ASSM 16-17	RIGHT (16 -17 OR 19 -20V) W/O HEEL LOOP
1,3,4	921183	COMPOSITE FOOTPLATE ASSM 16-17	LEFT (16 -17 OR 19 -20V) W/O HEEL LOOP

Pos.	Item Number	Description	Remarks
1,3,4	921184	COMPOSITE FOOTPLATE ASSM 18-20	RIGHT (18 -20) W/O HEEL LOOP
1,3,4	921185	COMPOSITE FOOTPLATE ASSM 18-20	LEFT (18 -20) W/O HEEL LOOP
1,3,4	921151	COMPOSITE FOOTPLATE ASSM 14-15/16-18V	PAIR (14 -15 OR 16 -18V) W/O HEEL LOOP
1,3,4	921152	COMPOSITE FOOTPLATE ASSM 16-17/19-20V	PAIR (16 -17 OR 19 -20V) W/O HEEL LOOP
1,3,4	921153	COMPOSITE FOOTPLATE ASSM 18-20	PAIR (18 -20) W/O HEEL LOOP
1,3,4A-8	921190	COMPOSITE FOOTPLATE ASSM HL LP 14-15	RIGHT (14 -15 OR 16 -18V) W/ HEEL LOOP
1,3,4A-8	921191	COMPOSITE FOOTPLATE ASSM HL LP 14-15	LEFT (14 -15 OR 16 -18V) W/ HEEL LOOP
1,3,4A-8	921192	COMPOSITE FOOTPLATE ASSM HL LP 16-17	RIGHT (16 -17 OR 19 -20V) W/ HEEL LOOP
1,3,4A-8	921193	COMPOSITE FOOTPLATE ASSM HL LP 16-17	LEFT (16 -17 OR 19 -20V) W/ HEEL LOOP
1,3,4A-8	921194	COMPOSITE FOOTPLATE ASSM HL LP 18-20	RIGHT (18 -20) W/ HEEL LOOP
1,3,4A-8	921195	COMPOSITE FOOTPLATE ASSM HL LP 18-20	LEFT (18 -20) W/ HEEL LOOP
1,3,4A-8	921161	COMPOSITE FOOTPLATE ASSM HL 14-15/16-18V	PAIR (14 -15 OR 16 -18V) W/ HEEL LOOP
1,3,4A-8	921162	COMPOSITE FOOTPLATE ASSM HL 16-17/19-20V	PAIR (16 -17 OR 19 -20V) W/ HEEL LOOP
1,3,4A-8	921163	COMPOSITE FOOTPLATE ASSM HL 18-20	PAIR (18 -20) W/ HEEL LOOP
1,3,4B-8	921140	COMPOSITE FOOTPLATE ASSM HEMI HL LP 14-15	RIGHT (14 -15) W/ HEEL LOOP
1,3,4B-8	921141	COMPOSITE FOOTPLATE ASSM HEMI HL LP 14-15	LEFT (14 -15) W/ HEEL LOOP
1,3,4B-8	921142	COMPOSITE FOOTPLATE ASSM HEMI HL LP 16-17	RIGHT (16 -17) W/ HEEL LOOP
1,3,4B-8	921143	COMPOSITE FOOTPLATE ASSM HEMI HL LP 16-17	LEFT (16 -17) W/ HEEL LOOP
1,3,4B-8	921144	COMPOSITE FOOTPLATE ASSM HEMI HL LP 18-20	RIGHT (18 -20) W/ HEEL LOOP
1,3,4B-8	921145	COMPOSITE FOOTPLATE ASSM HEMI HL LP 18-20	LEFT (18 -20) W/ HEEL LOOP
1,3,4B-8	921167	COMPOSITE FOOTPLATE ASSM HEMI HL LPS 14-15	PAIR (14 -15) W/ HEEL LOOP
1,3,4B-8	921168	COMPOSITE FOOTPLATE ASSM HEMI HL LPS 16-17	PAIR (16 -17) W/ HEEL LOOP
1,3,4B-8	921169	COMPOSITE FOOTPLATE ASSM HEMI HL LPS 18-20	PAIR (18 -20) W/ HEEL LOOP

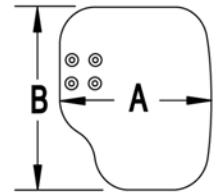


Pos.	Item Number	Description	Remarks
1	106978	FHCS 1/4 -28 x 7/8	
2	106941	1/4-28 AUTOMATION NUT	
3	106944	1/4 AN WASHER FLAT THIN	
4	561055	3/4" SADDLE 1" OD	
5	541002	FTRST MOUNTING BRKT-3/8 RAD R	
5	541003	FTRST MOUNTING BRKT-3/8 RAD L	
6	106945	1/4 SAE WASHER	
7A	106962	BHCS 1/4 -28 x 1 3/4 ROHS	For Manual ELRs only
7B	226167	1/4-28 x 1.625 BH C/S BLK (ROUND EXTENSION TUBES)	
8	550350	3/4" CLMP ADJ FT PLT	
9	106935	NUT NYLOCK THIN 1/4-28 ROHS	
10	561040	HEEL LOOP PEG	
11	741153	H/L 18-20 CMPST/14-15 ANG ADJ	
11	741253	HEEL LOOP ADLT ADJ F/PLT 18-20	
12	500660	ADLT ANGL ADJ F/PLT 14/15" R	
12	500661	ADLT ANGL ADJ F/PLT 14/15" L	
12	500662	ADLT ANGL ADJ F/PLT 16/17" R	
12	500663	ADLT ANGL ADJ F/PLT 16/17" L	

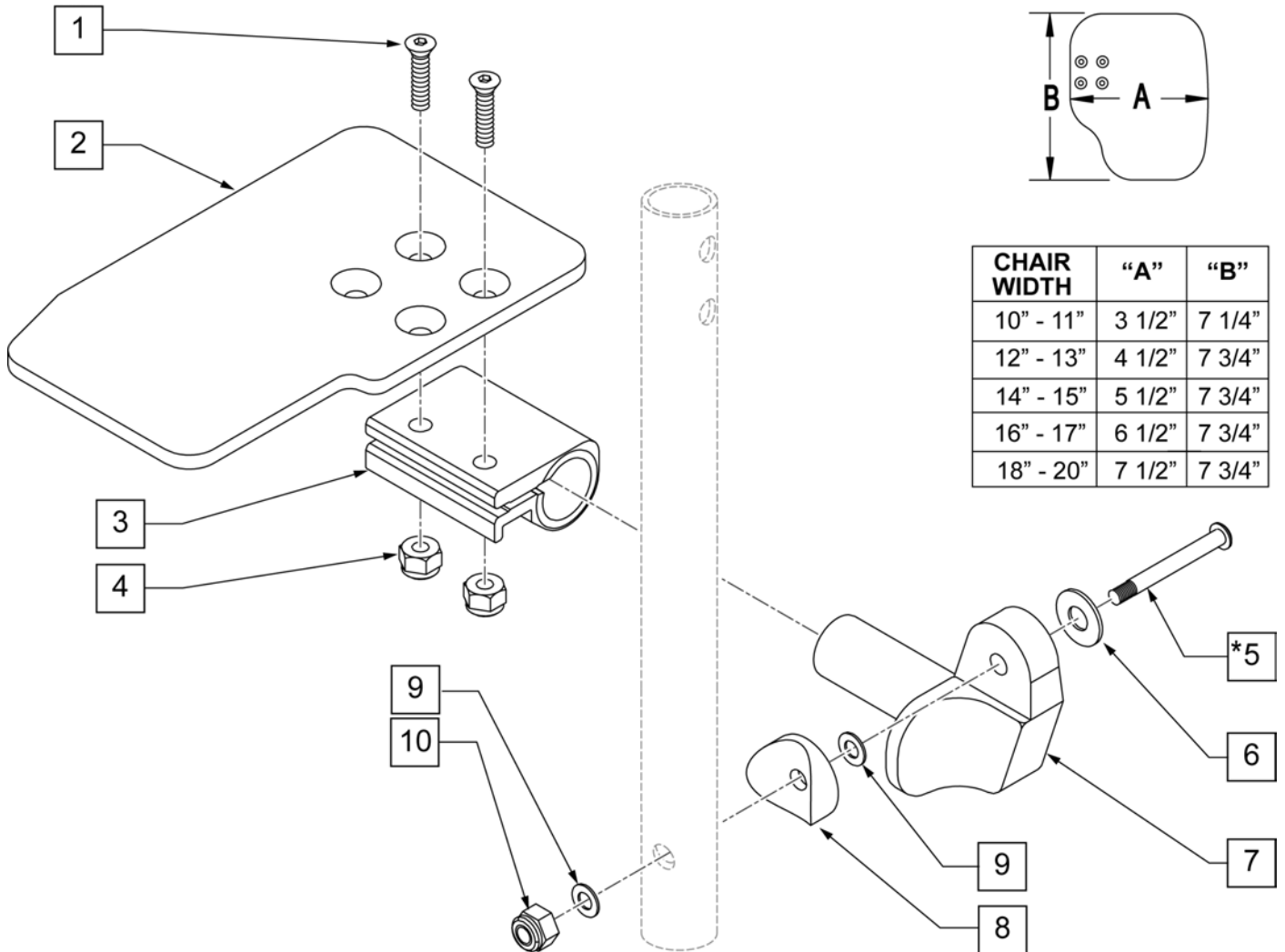
Pos.	Item Number	Description	Remarks
12	500664	ADLT ANGL ADJ F/PLT 18-20" R	
12	500665	ADLT ANGL ADJ F/PLT 18-20" L	
13	740260	TOE/ANKLE STRAP ADJ ADLT F/PLT	
14	106944	1/4 AN WASHER FLAT THIN	
15	106958	1/4-20 x 1 HEX C/S	
1-3,5,8,9,12	820460	FP ADLT ADJ 14/15 R	
1-3,5,8,9,12	820462	FP ADLT ADJ 14/15 L	
1-3,5,8,9,12	820464	FP ADLT ADJ 16/17 R	
1-3,5,8,9,12	820466	FP ADLT ADJ 16/17 L	
1-3,5,8,9,12	820468	FP ADLT ADJ 18-20 R	
1-3,5,8,9,12	820470	FP ADLT ADJ 18-20 L	
1-3,5,8,9,12	921320	FP ADLT ADJ 14/15	Pair
1-3,5,8,9,12	921322	FP ADLT ADJ 16/17	Pair
1-3,5,8,9,12	921324	FP ADLT ADJ 18-20	Pair
1-3,5,8-12,14,15	820461	FP ADLT ADJ 14/15 R HL	
1-3,5,8-12,14,15	820463	FP ADLT ADJ 14/15 L HL	
1-3,5,8-12,14,15	820465	FP ADLT ADJ 16/17 R HL	
1-3,5,8-12,14,15	820467	FP ADLT ADJ 16/17 L HL	
1-3,5,8-12,14,15	820469	FP ADLT ADJ 18-20 R HL	
1-3,5,8-12,14,15	820471	FP ADLT ADJ 18-20 L HL	
1-3,5,8-12,14,15	921321	FP ADLT ADJ 14/15 HL	Pair
1-3,5,8-12,14,15	921323	FP ADLT ADJ 16/17 HL	Pair
1-3,5,8-12,14,15	921325	FP ADLT ADJ 18-20 HL	Pair
1-3,7,9-10,14-15	101533	ADLT ANG ADJ FP D2 HDWR KIT	
1-4,7B,9,10,14-15	101534	ADLT ANG ADJ FP RND HDWR KIT	



MEASURING GUIDE



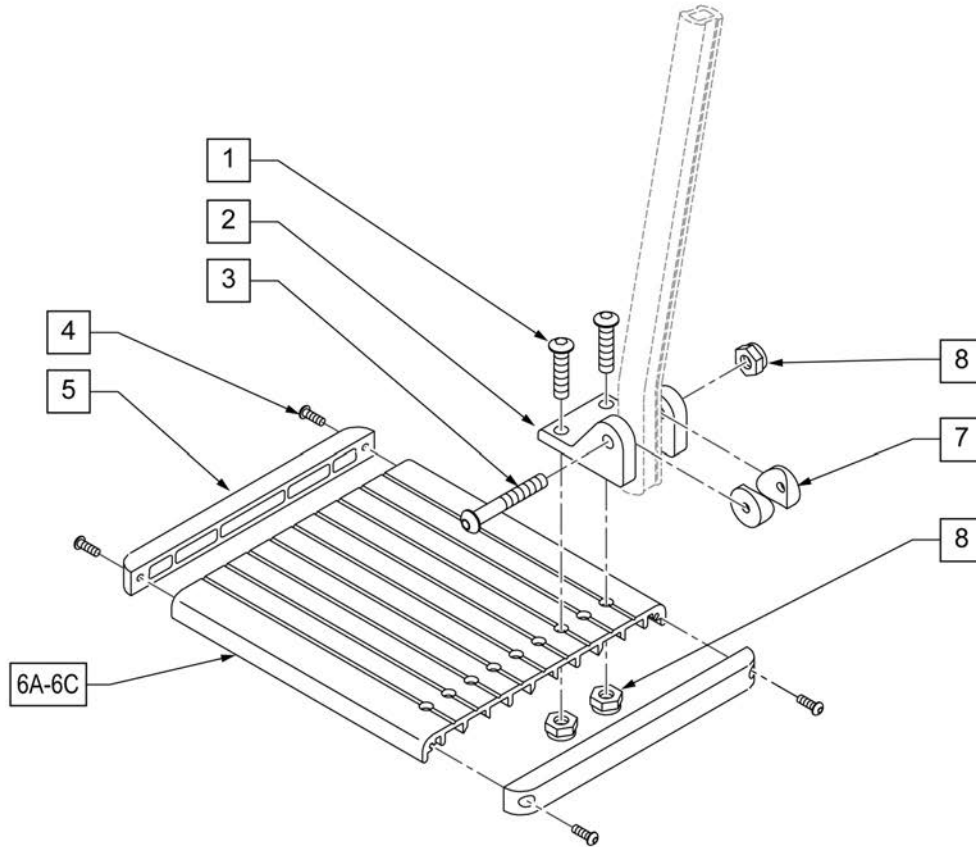
CHAIR WIDTH	"A"	"B"
10" - 11"	3 1/2"	7 1/4"
12" - 13"	4 1/2"	7 3/4"
14" - 15"	5 1/2"	7 3/4"
16" - 17"	6 1/2"	7 3/4"
18" - 20"	7 1/2"	7 3/4"



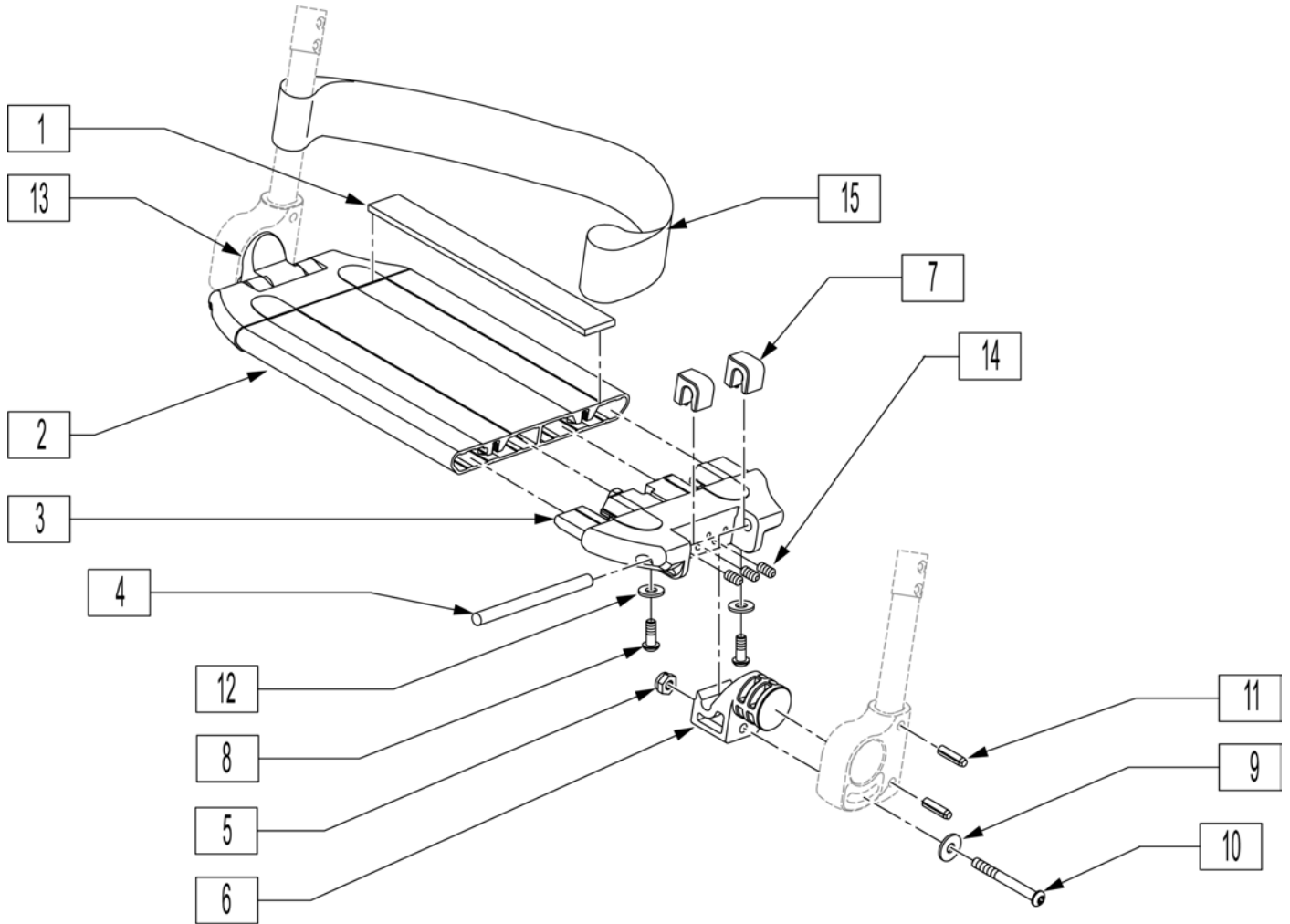
Pos.	Item Number	Description	Remarks
1	106978	1/4-28 X 7/8 FH C/S	
2	500635	KIDS ANGL ADJ F/PLT 10" R	
2	500636	KIDS ANGL ADJ F/PLT 10" L	
2	500637	KIDS ANGL ADJ F/PLT 11" R	
2	500638	KIDS ANGL ADJ F/PLT 11" L	
2	500639	KIDS ANGL ADJ F/PLT 12" R	
2	500640	KIDS ANGL ADJ F/PLT 12" L	
2	500641	KIDS ANGL ADJ F/PLT 13" R	
2	500642	KIDS ANGL ADJ F/PLT 13" L	
2	500643	KIDS ANGL ADJ F/PLT 14" R	
2	500644	KIDS ANGL ADJ F/PLT 14" L	
2	500645	KIDS ANGL ADJ F/PLT 15" R	
2	500646	KIDS ANGL ADJ F/PLT 15" L	
2	500647	KIDS ANGL ADJ F/PLT 16" R	
2	500648	KIDS ANGL ADJ F/PLT 16" L	
3	550350	3/4" CLAMP ADJ FOOTPLATE	
4	106935	NUT NYLOCK THIN 1/4-28 ROHS	

Pos.	Item Number	Description	Remarks
5	106962	1/4-28 x 1 3/4 BH C/S BLK ZN (D2 EXTENSION TUBES)	
5	226167	1/4-28 x 1.625 BH C/S BLK (ROUND EXTENSION TUBES)	
6	106945	1/4 SAE WASHER	
7A	541002	FTRST MOUNTING BRKT-3/8 RAD R	For manual ELRs only
7B	541003	FTRST MOUNTING BRKT-3/8 RAD L	
8	561055	3/4" SADDLE 1" OD	
9	106944	1/4 AN WASHER FLAT THIN	
10	106941	1/4-28 AUTOMATION NUT	
1-7,9,10	828850	KIDS ANG ADJ F/PLT EXT-MNT 10"R	
1-7,9,10	828851	KIDS ANG ADJ F/PLT EXT-MNT 10"L	
1-7,9,10	828852	KIDS ANG ADJ F/PLT EXT-MNT 11"R	
1-7,9,10	828853	KIDS ANG ADJ F/PLT EXT-MNT 11"L	
1-7,9,10	828854	KIDS ANG ADJ F/PLT EXT-MNT 12"R	
1-7,9,10	828855	KIDS ANG ADJ F/PLT EXT-MNT 12"L	
1-7,9,10	828856	KIDS ANG ADJ F/PLT EXT-MNT 13"R	
1-7,9,10	828857	KIDS ANG ADJ F/PLT EXT-MNT 13"L	
1-7,9,10	828858	KIDS ANG ADJ F/PLT EXT-MNT 14"R	
1-7,9,10	828859	KIDS ANG ADJ F/PLT EXT-MNT 14"L	
1-7,9,10	828860	KIDS ANG ADJ F/PLT EXT-MNT 15"R	
1-7,9,10	828861	KIDS ANG ADJ F/PLT EXT-MNT 15"L	
1-7,9,10	828862	KIDS ANG ADJ F/PLT EXT-MNT 16"R	
1-7,9,10	828863	KIDS ANG ADJ F/PLT EXT-MNT 16"L	
1-7,9,10	921280	KIDS ANG ADJ F/PLT EXT-MNT 10"	
1-7,9,10	921281	KIDS ANG ADJ F/PLT EXT-MNT 11"	
1-7,9,10	921282	KIDS ANG ADJ F/PLT EXT-MNT 12"	
1-7,9,10	921283	KIDS ANG ADJ F/PLT EXT-MNT 13"	
1-7,9,10	921284	KIDS ANG ADJ F/PLT EXT-MNT 14"	
1-7,9,10	921285	KIDS ANG ADJ F/PLT EXT-MNT 15"	
1-7,9,10	921286	KIDS ANG ADJ F/PLT EXT-MNT 16"	

NOTE: Left Side Shown

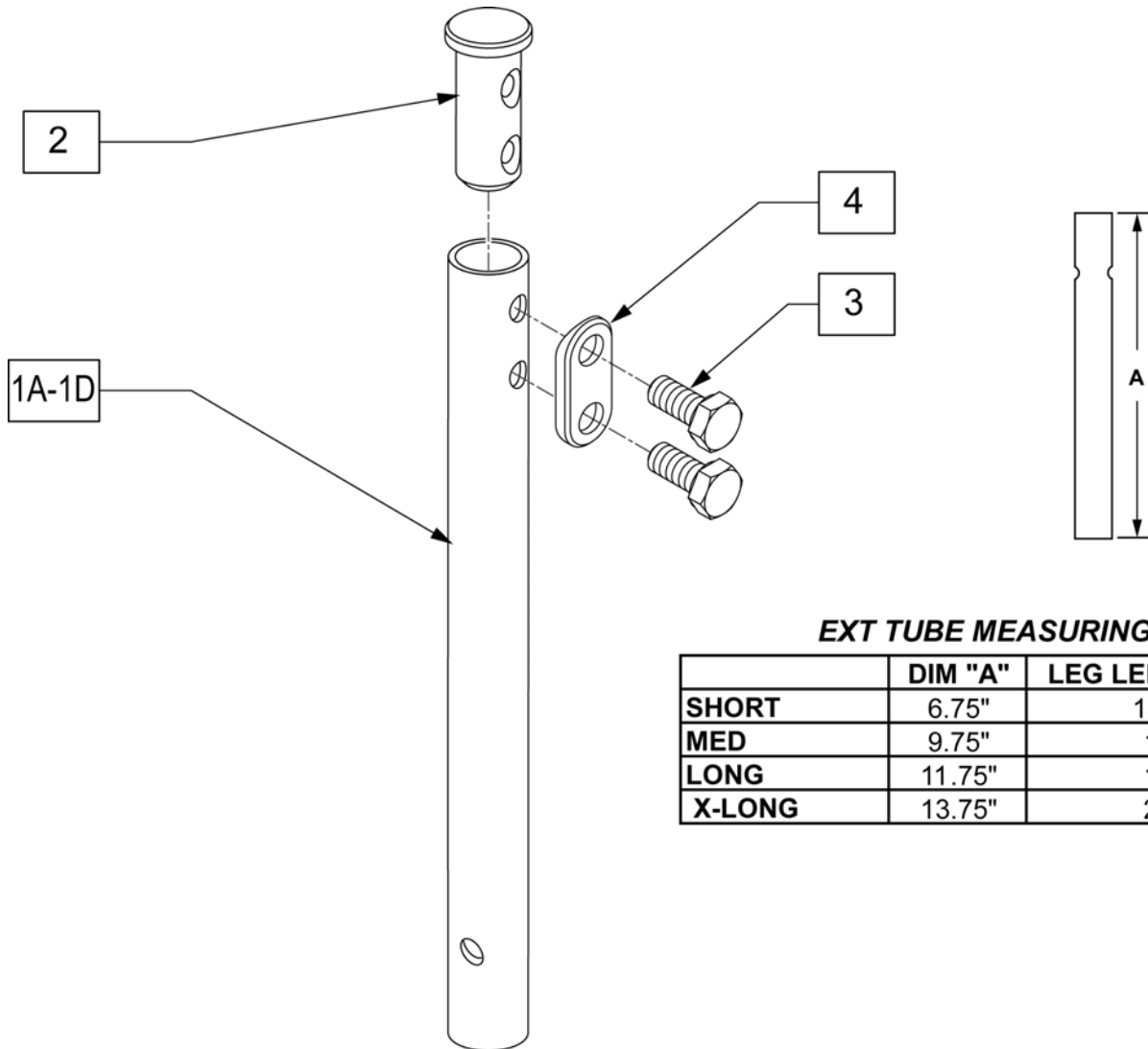


Pos.	Item Number	Description	Remarks
1	106959	1/4-28 x 5/8 BH C/S	
2	550739	FOOTPLATE MOUNTING BRACKET	
3	226147	1/4-28 x 1.85 BH C/S	
4	281043	#4 x 5/8 PAN PHIL S/TAP	
5	560101	END CAPS FOOTREST	
7	561003	3/4" SADDLE THIN	
8	106935	1/4-28 NYLOCK NUT THIN	
4,5,6A	882337	ELR FOOTPLATE ASSEMBLY 14 -15"	
4,5,6B	882338	ELR FOOTPLATE ASSEMBLY 16 -17"	
4,5,6C	882339	ELR FOOTPLATE ASSEMBLY 18 -20"	
1-5,6A-8	921400S	ELR FOOTPLATE KIT 14 -15"	Does not include Extension
1-5,6B-8	921401S	ELR FOOTPLATE KIT 16 -17"	Does not include Extension
1-5,6C-8	921402S	ELR FOOTPLATE KIT 18 -20"	Does not include Extension



Pos.	Item Number	Description	Remarks
1	360010	FOOT BOARD SKID TAPE	
3	560019	FOOT BOARD HOLDER R	
3	560020	FOOT BOARD HOLDER L	
4	481283	PIN 8mm x 100mm	
5	200113	NUT HEX NYLOCK M6 X 1 NUT	
6	560022	FOOT BOARD SUPPORT	
7	560021	FOOT BOARD SHIM ALIGNMENT	
8	106943	WASHER FLAT AN 1/4 ROHS	
9	250070	METRIC WASHER	
10	210000	M6 x 55 8.8 BUTTON HD CAP SCRW	
11	349583	6 x 25mm GROOVED PIN	
12	230032	M6 x 16 B/H CAP SCREW	
13	560023	FOOT BOARD BEARING SUPPORT	
14	230030	M6 x 12 SET SCREW CUP POINT	
15	740130	LEG STRAP 10"-14" BLK	
15	740131	LEG STRAP 15"-17" BLK	
15	740132	LEG STRAP 18"-20" BLK	
1-14	900190	SLD 1-PC FOOTREST 14 WIDE	Tapered Hanger
1-14	900191	SLD 1-PC FOOTREST 15 WIDE	Tapered Hanger
1-14	900192	SLD 1-PC FOOTREST 16 WIDE	Tapered Hanger

Pos.	Item Number	Description	Remarks
1-14	900193	SLD 1-PC FOOTREST 17 WIDE	Tapered Hanger
1-14	900194	SLD 1-PC FTRST 18W TAP/14W ST	Tapered Hanger
1-14	900195	SLD 1-PC FTRST 19W TAP/15W ST	Tapered Hanger
1-14	900196	SLD 1-PC FTRST 20W TAP/16W ST	Tapered Hanger
1-14	900197	SLD 1-PC FTRST 22W TAP/18W ST	Tapered Hanger
1-14	900198	SLD 1-PC FTRST 24W TAP/20W ST	Tapered Hanger
1-14	900211	SLD 1-PC FTRST 17W STRT	
1-14	900209	SLD 1-PC FTRST 19W STRT	
1-14	900212	SLD 1-PC FTRST 22INW STRT	
1-14	900210	SLD 1-PC FTRST 24INW STRT	



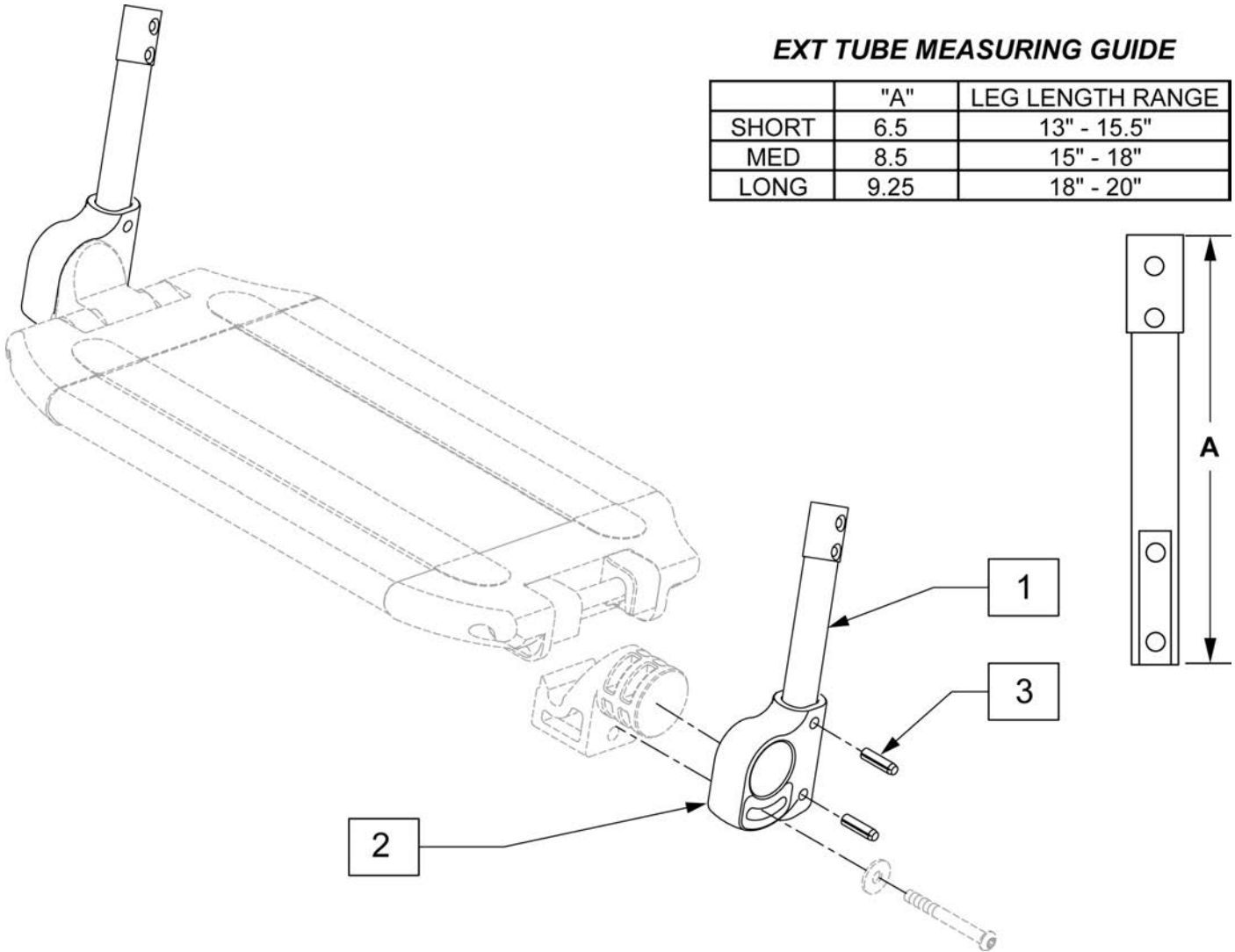
**EXT TUBE MEASURING GUIDE**

	DIM "A"	LEG LENGTH RANGE
<b>SHORT</b>	6.75"	13"-15.5"
<b>MED</b>	9.75"	15"-18"
<b>LONG</b>	11.75"	18"-20"
<b>X-LONG</b>	13.75"	20"-22"

Pos.	Item Number	Description
1A	013305-001	EXT TUBE SHORT S/A
1B	013305-002	EXT TUBE MED S/A
1C	013305-003	EXT TUBE LONG S/A
1D	013305-004	EXT TUBE X LONG S/A
2	013369	TUBE IN EXT TB S/A HNGR EXT
3	234891	M6 X 20 HEX C/S
4	483717	HANGER SADDLE
1A-4	100191	EXT TBE SHT S/A ASSM RHY/G
1B-4	100208	EXT TBE MED S/A ASSM RHY/G
1C-4	100211	EXT TBE LNG S/A ASSM RHY/G
1D-4	100213	EXT TBE X-LNG S/A ASSM RHY

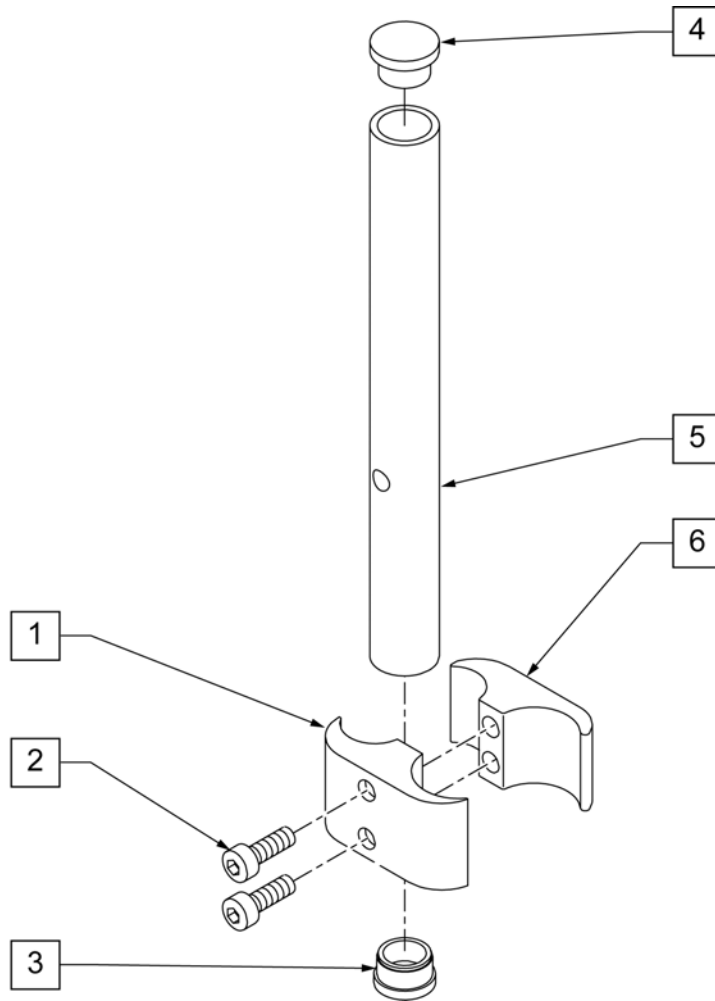
**EXT TUBE MEASURING GUIDE**

	"A"	LEG LENGTH RANGE
SHORT	6.5	13" - 15.5"
MED	8.5	15" - 18"
LONG	9.25	18" - 20"



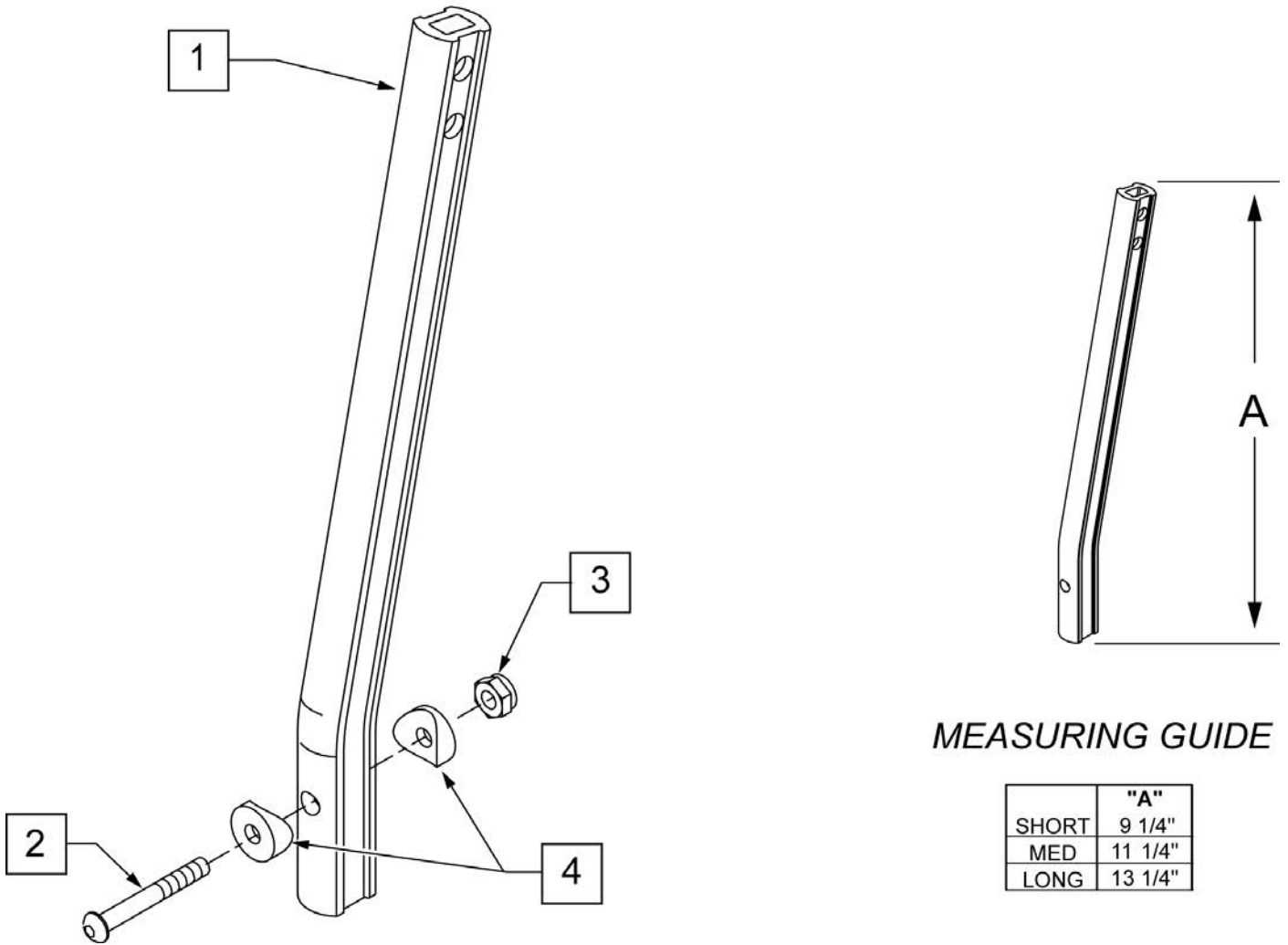
Pos.	Item Number	Description	Remarks
2	560024	FOOT YOKE	
3	349583	6 x 25mm GROOVED PIN	
1-3	014054	EXT TBE 1PC LCKNG FT SHT ASSM	PAIR
1-3	014055	EXT TBE 1PC LCKNG FT MED ASSM	PAIR
1-3	014056	EXT TBE 1PC LCKNG FT LNG ASSM	PAIR

**HIGH MOUNT EXTENSION TUBE**

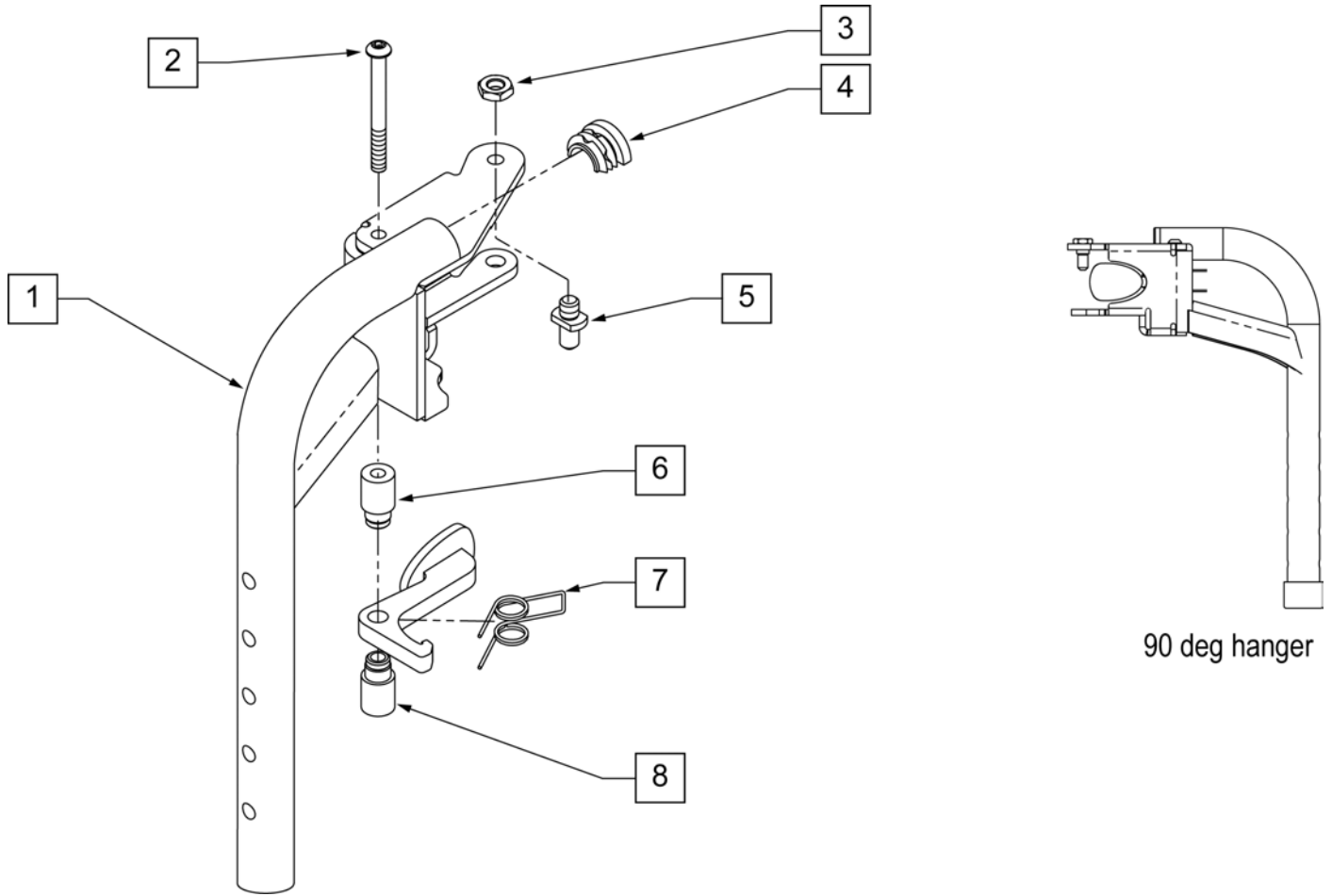


Pos.	Item Number	Description	Remarks
1	550657	CLAMP 1 1/4" RECESS FULL BLK	
2	107032	SHCS 1/4-28 X 1 ROHS	
3	561000-QU	3/4" INSERT PLUG .083	
4	482016	HIGH-MOUNT FL FT TUBE PLUG	
5	524100	H/M FL FT EXT TUBE BLK	
6	550658	CLAMP 1 1/4" THREADED BLK	
1,2,6	880538	HI-MOUNT FR CLAMP ASSEMBLY BLK	
1-6	921550S	H/M FL FT CLAMPS AND TUBES (PR)	Pair

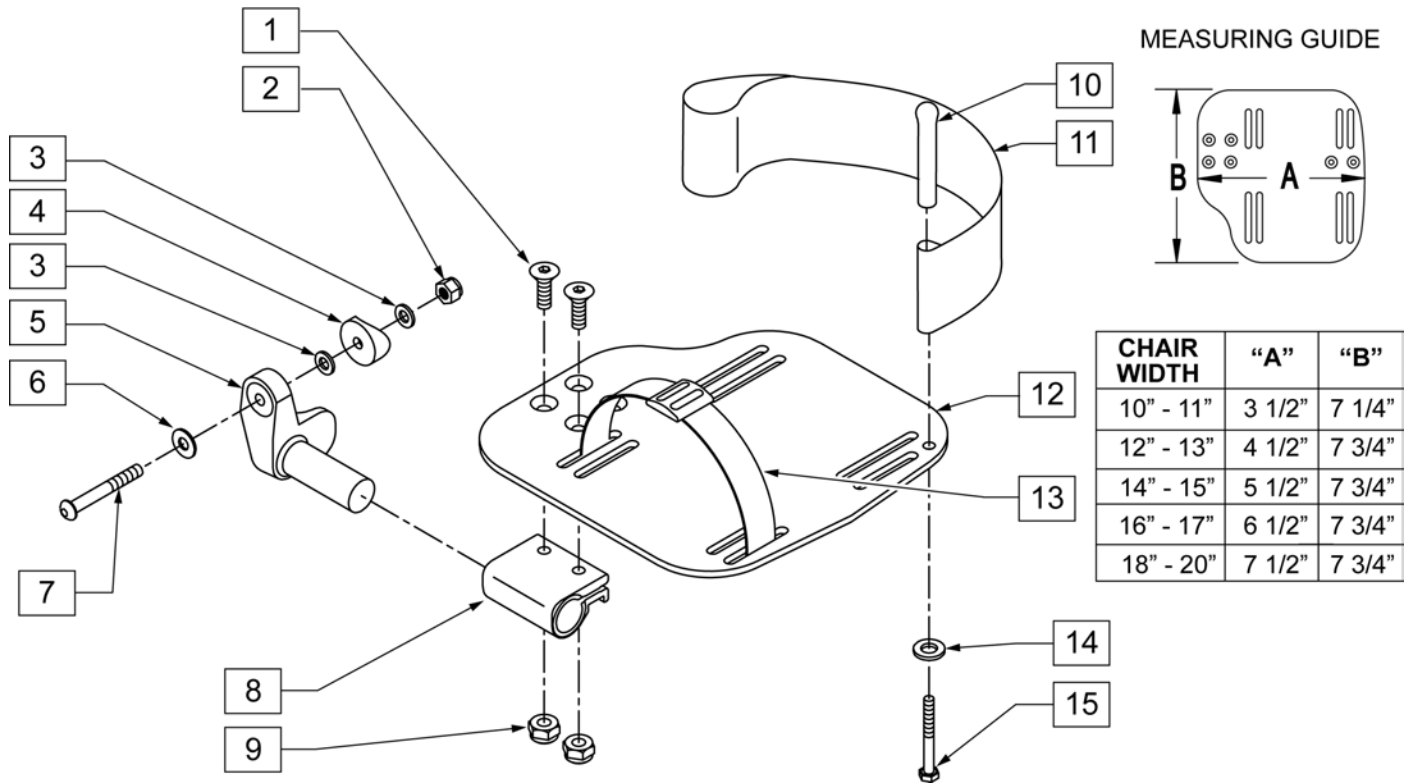




Pos.	Item Number	Description	Remarks
1	550764	S/A HANGER EXT D2 SHORT BLACK	Short Ext ELR Hangers
1	550765	S/A HANGER EXT D2 MED BLACK	Medium Ext ELR Hangers
1	550766	S/A HANGER EXT D2 LONG BLACK	Long Ext ELR Hangers
2	226147	1/4 -28 X 1.85 BH C/S	
3	106935	1/4 -28 NYLOCK NUT THIN	
4	561055	3/4 SADDLE 1" OD	

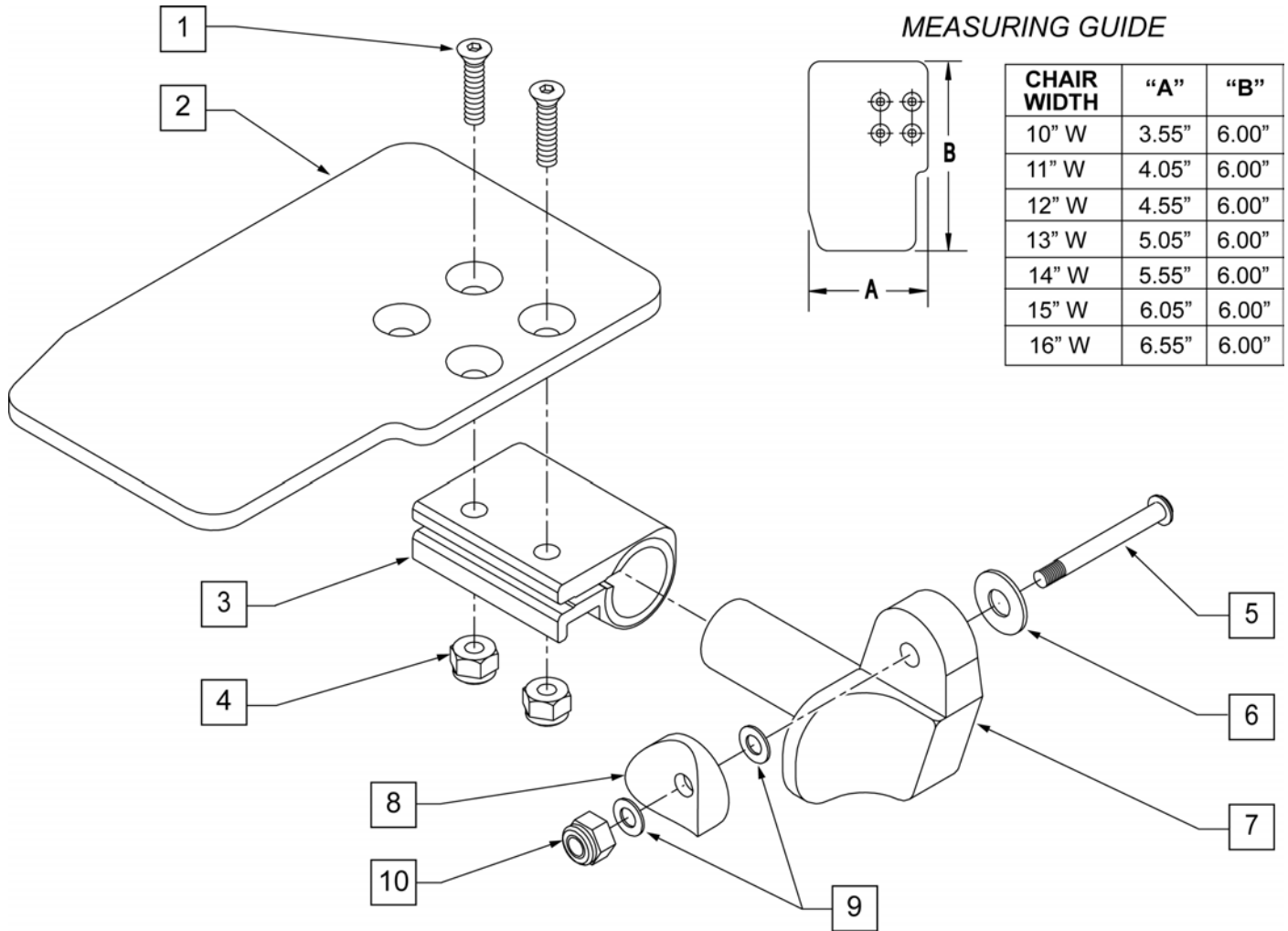


Pos.	Item Number	Description	Remarks
2	013216	SCREW M6 X 60 SKT BTN BLK	
3	013036	M8 X 1.25 JAM NUT HEX	
4	013312	HALF CAP INSERT	
5	108778	PIVOT PIN, POWER	
6	013217	SPACER S/A HANGER LATCH	
7	013163	SPRING LATCH S/A HANGER	
8	013160	LATCH ARM S/A HANGER	
1 -8	013330	S/A HANGER ASSM 90D L	Left
1 -8	013337	S/A HANGER ASSM 90D R	Right



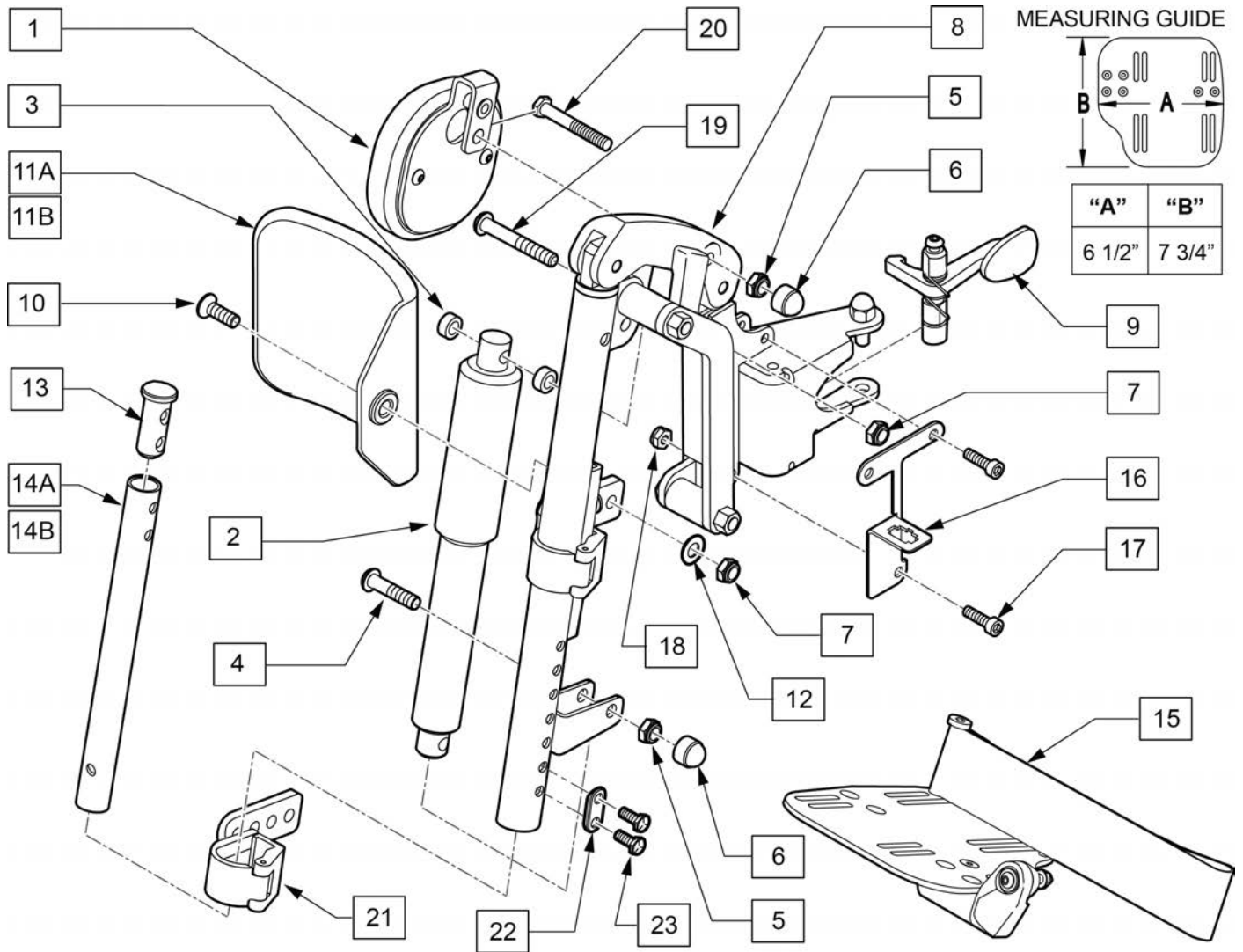
Pos.	Item Number	Description	Remarks
1	106978	FHCS 1/4-28 X 7/8 ROHS	
2	106941	NUT AUTOMATION 1/4-28 ROHS	
3	106943	WASHER FLAT AN 1/4 ROHS	
4	561004	1" SADDLE 1/4" HOLE	
5	541000	FOOTREST MOUNTING BRKT-1" RAD	RIGHT
5	541001	FOOTREST MOUNTING BRKT-1" RAD	LEFT
6	106945	WASHER FLAT SAE 1/4 ROHS	
7	106964	BHCS 1/4-28 X 2	
8	550350	3/4" CLAMP ADJ FOOTPLATE	
9	106935	NUT NYLOCK THIN 1/4-28 ROHS	
10	561040	HEEL LOOP PEG	
11	741153	HEEL LOOP 18-20 CMPST/14-15 ANG ADJ	USED W/ 14-15"/16-17" ADULT ANG ADJ FTPLTS
11	741253	HEEL LOOP ADLT ADJ F/PLT 18-20	USED W/ 18 -20" ADULT ANG ADJ FTPLTS
12	500656	ADULT ANGL ADJ F/PLT 10/11	RIGHT
12	500657	ADULT ANGL ADJ F/PLT 10/11	LEFT
12	500658	ADULT ANGL ADJ F/PLT 12/13	RIGHT
12	500659	ADULT ANGL ADJ F/PLT 12/13	LEFT
12	500660	ADULT ANGL ADJ F/PLT 14/15	RIGHT
12	500661	ADULT ANGL ADJ F/PLT 14/15	LEFT
12	500662	ADULT ANGL ADJ F/PLT 16/17	RIGHT
12	500663	ADULT ANGL ADJ F/PLT 16/17	LEFT
12	500664	ADULT ANGL ADJ F/PLT 18-20	RIGHT
12	500665	ADULT ANGL ADJ F/PLT 18-20	LEFT
13	740260	TOE-ANKLE STRAP ADJ ADULT FOOTPLATE	
14	106943	WASHER FLAT AN 1/4 ROHS	

Pos.	Item Number	Description	Remarks
15	106958	HHCS 1/4-20 X 1 ROHS	
1-9,12	820544	FP ADULT ADJ 90D 10/11 R	RIGHT
1-9,12	820554	FP ADULT ADJ 90D 10/11 L	LEFT
1-9,12	820546	FP ADULT ADJ 90D 12/13 R	RIGHT
1-9,12	820556	FP ADULT ADJ 90D 12/13 L	LEFT
1-9,12	820472	FP ADULT ADJ 90D 14/15 R	RIGHT
1-9,12	820473	FP ADULT ADJ 90D 14/15 L	LEFT
1-9,12	820474	FP ADULT ADJ 90D 16/17 R	RIGHT
1-9,12	820475	FP ADULT ADJ 90D 16/17 L	LEFT
1-9,12	820476	FP ADULT ADJ 90D 18-20 R	RIGHT
1-9,12	820477	FP ADULT ADJ 90D 18-20 L	LEFT
1-9,12	921474	ADULT ANGL ADJ 90D 10/11 OMIT H/L	PAIR
1-9,12	921476	ADULT ANGL ADJ 90D 12/13 OMIT H/L	PAIR
1-9,12	921330	ADULT ANGL ADJ 90D 14/15 OMIT H/L	PAIR
1-9,12	921331	ADULT ANGL ADJ 90D 16/17 OMIT H/L	PAIR
1-9,12	921332	ADULT ANGL ADJ 90D 18-20 OMIT H/L	PAIR
1-12,14,15	820540	F/PLT ADULT ADJ 90D 10/11 R W/ HL	RIGHT
1-12,14,15	820550	F/PLT ADULT ADJ 90D 10/11 L W/ HL	LEFT
1-12,14,15	820542	F/PLT ADULT ADJ 90D 12/13 R W/ HL	RIGHT
1-12,14,15	820552	F/PLT ADULT ADJ 90D 12/13 L W/ HL	LEFT
1-12,14,15	820478	F/PLT ADULT ADJ 90D 14/15 R W/ HL	RIGHT
1-12,14,15	820479	F/PLT ADULT ADJ 90D 14/15 L W/ HL	LEFT
1-12,14,15	820480	F/PLT ADULT ADJ 90D 16/17 R W/ HL	RIGHT
1-12,14,15	820481	F/PLT ADULT ADJ 90D 16/17 L W/ HL	LEFT
1-12,14,15	820482	F/PLT ADULT ADJ 90D 18-20 R W/ HL	RIGHT
1-12,14,15	820483	F/PLT ADULT ADJ 90D 18-20 L W/ HL	LEFT
1-12,14,15	921470	F/PLT ADULT ADJ 90D 10/11 W/ HL	PAIR
1-12,14,15	921472	F/PLT ADULT ADJ 90D 12/13 W/ HL	PAIR
1-12,14,15	921333	F/PLT ADULT ADJ 90D 14/15 W/ HL	PAIR
1-12,14,15	921334	F/PLT ADULT ADJ 90D 16/17 W/ HL	PAIR
1-12,14,15	921335	F/PLT ADULT ADJ 90D 18-20 W/ HL	PAIR



Pos.	Item Number	Description	Remarks	Pos.	Item Number	Description	Remarks
1	106978	FHCS 1/4-28 X 7/8 ROHS		7	541001	FTRST MOUNTING BRKT 1 RAD	RIGHT
2	500635	KIDS ANGL ADJ F/PLT 10	RIGHT	8	561004	1 SADDLE 1/4 HOLE	
2	500636	KIDS ANGL ADJ F/PLT 10	LEFT	9	106943	WASHER FLAT THIN AN 1/4	
2	500637	KIDS ANGL ADJ F/PLT 11	RIGHT	10	106941	NUT AUTOMATION 1/4-28 ROHS	
2	500638	KIDS ANGL ADJ F/PLT 11	LEFT	1-10	828821	KIDS ANG ADJ F/PLT ASSM 10	RIGHT
2	500639	KIDS ANGL ADJ F/PLT 12	RIGHT	1-10	828822	KIDS ANG ADJ F/PLT ASSM 10	LEFT
2	500640	KIDS ANGL ADJ F/PLT 12	LEFT	1-10	828823	KIDS ANG ADJ F/PLT ASSM 11	RIGHT
2	500641	KIDS ANGL ADJ F/PLT 13	RIGHT	1-10	828824	KIDS ANG ADJ F/PLT ASSM 11	LEFT
2	500642	KIDS ANGL ADJ F/PLT 13	LEFT	1-10	828825	KIDS ANG ADJ F/PLT ASSM 12	RIGHT
2	500643	KIDS ANGL ADJ F/PLT 14	RIGHT	1-10	828826	KIDS ANG ADJ F/PLT ASSM 12	LEFT
2	500644	KIDS ANGL ADJ F/PLT 14	LEFT	1-10	828827	KIDS ANG ADJ F/PLT ASSM 13	RIGHT
2	500645	KIDS ANGL ADJ F/PLT 15	RIGHT	1-10	828828	KIDS ANG ADJ F/PLT ASSM 13	LEFT
2	500646	KIDS ANGL ADJ F/PLT 15	LEFT	1-10	828829	KIDS ANG ADJ F/PLT ASSM 14	RIGHT
2	500647	KIDS ANGL ADJ F/PLT 16	RIGHT	1-10	828830	KIDS ANG ADJ F/PLT ASSM 14	LEFT
2	500648	KIDS ANGL ADJ F/PLT 16	LEFT	1-10	828831	KIDS ANG ADJ F/PLT ASSM 15	RIGHT
3	550350	3/4 CLAMP ADJ FOOTPLATE		1-10	828832	KIDS ANG ADJ F/PLT ASSM 15	LEFT
4	106935	NUT NYLOCK THIN 1/4-28 ROHS		1-10	828833	KIDS ANG ADJ F/PLT ASSM 16	RIGHT
5	226147	1/4-28 X 1.85 BH C/S BLK ZN		1-10	828834	KIDS ANG ADJ F/PLT ASSM 16	LEFT
6	106945	WASHER FLAT SAE 1/4 ROHS		1-10	921226	KIDS ANG ADJ F/PLT ASSM 10	PAIR
7	541000	FTRST MOUNTING BRKT 1 RAD	RIGHT	1-10	921227	KIDS ANG ADJ F/PLT ASSM 11	PAIR

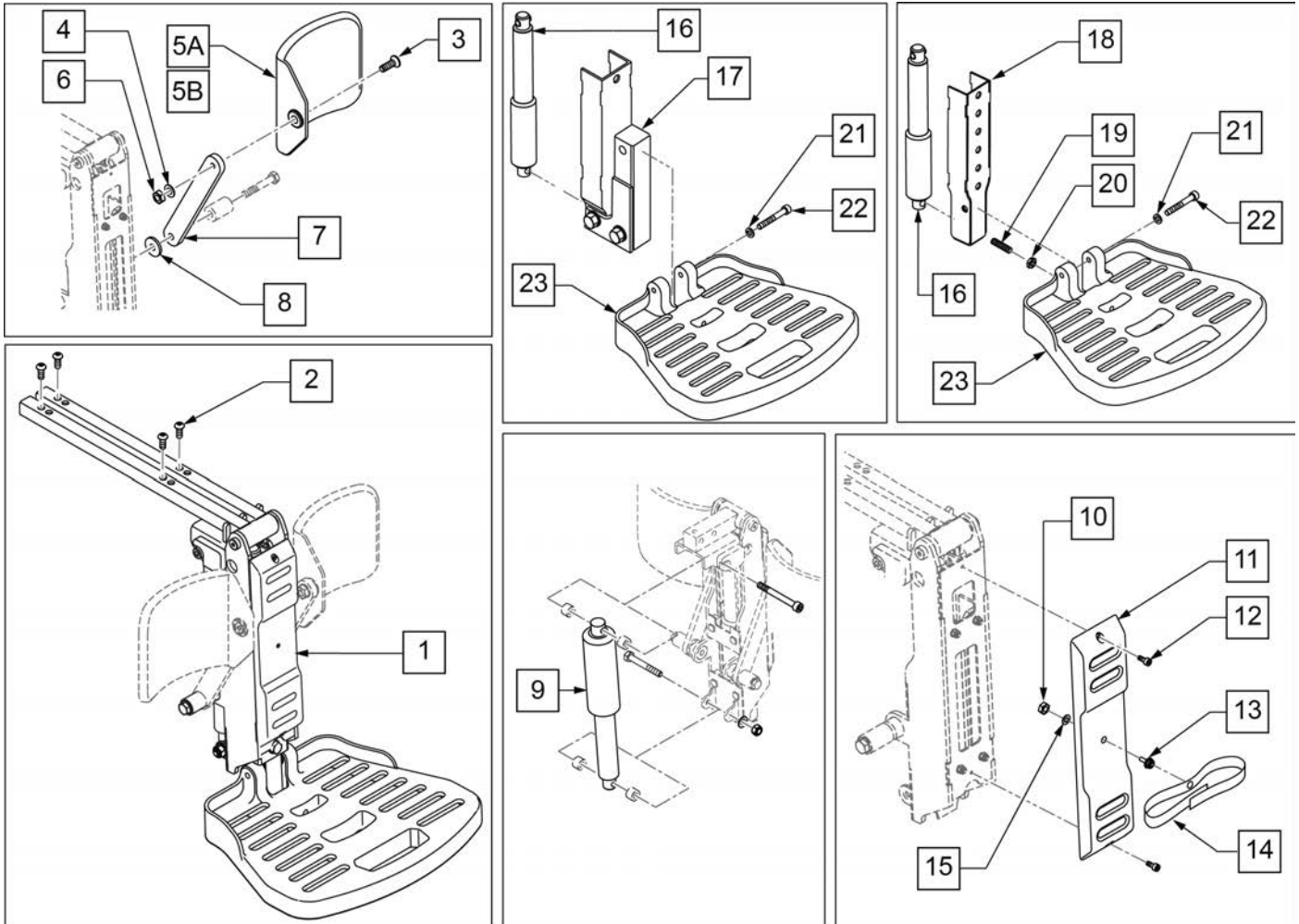
Pos.	Item Number	Description	Remarks	Pos.	Item Number	Description	Remarks
1-10	921228	KIDS ANG ADJ F/PLT ASSM 12	PAIR	1-10	921231	KIDS ANG ADJ F/PLT ASSM 15	PAIR
1-10	921229	KIDS ANG ADJ F/PLT ASSM 13	PAIR	1-10	921232	KIDS ANG ADJ F/PLT ASSM 16	PAIR
1-10	921230	KIDS ANG ADJ F/PLT ASSM 14	PAIR				



Pos.	Item Number	Description	Remarks
2	113304	ACTUATOR MBL LL220 NA	
4	102266	BHCS M8 X 1.25 X 35 INORGANIC	
5	210085	NUT HEX NYLOCK M8 BLACK	
6	000934.0108	NUT CAP M8 BLACK	
7	210085	NUT HEX NYLOCK M8 BLACK	
8	015330	IN LINE ALR ASSY LH	Left
8	015331	IN LINE ALR ASSY RH	Right
9	013765	HANGER RELEASE MECH & FIX KIT	
10	012934	FHCS M8 X 1.25 X 30 BLK	
11A	755014	CALF PAD TROUGH STYLE 14/16	
11B	755012	CALF PAD TROUGH STYLE 17-20	
12	561016	1" WASHER 5/16" HOLE	
13	013369	TUBE INSERT S/A	
14A	013305-001	EXT TUBE SHORT S/A	
14B	013305-003	EXT TUBE LONG S/A	
15	820461	FP ADLT ADJ 14/15 R HL	Right
15	820463	FP ADLT ADJ 14/15 L HL	Left
15	820465	FP ADLT ADJ 16/17 R HL	Right

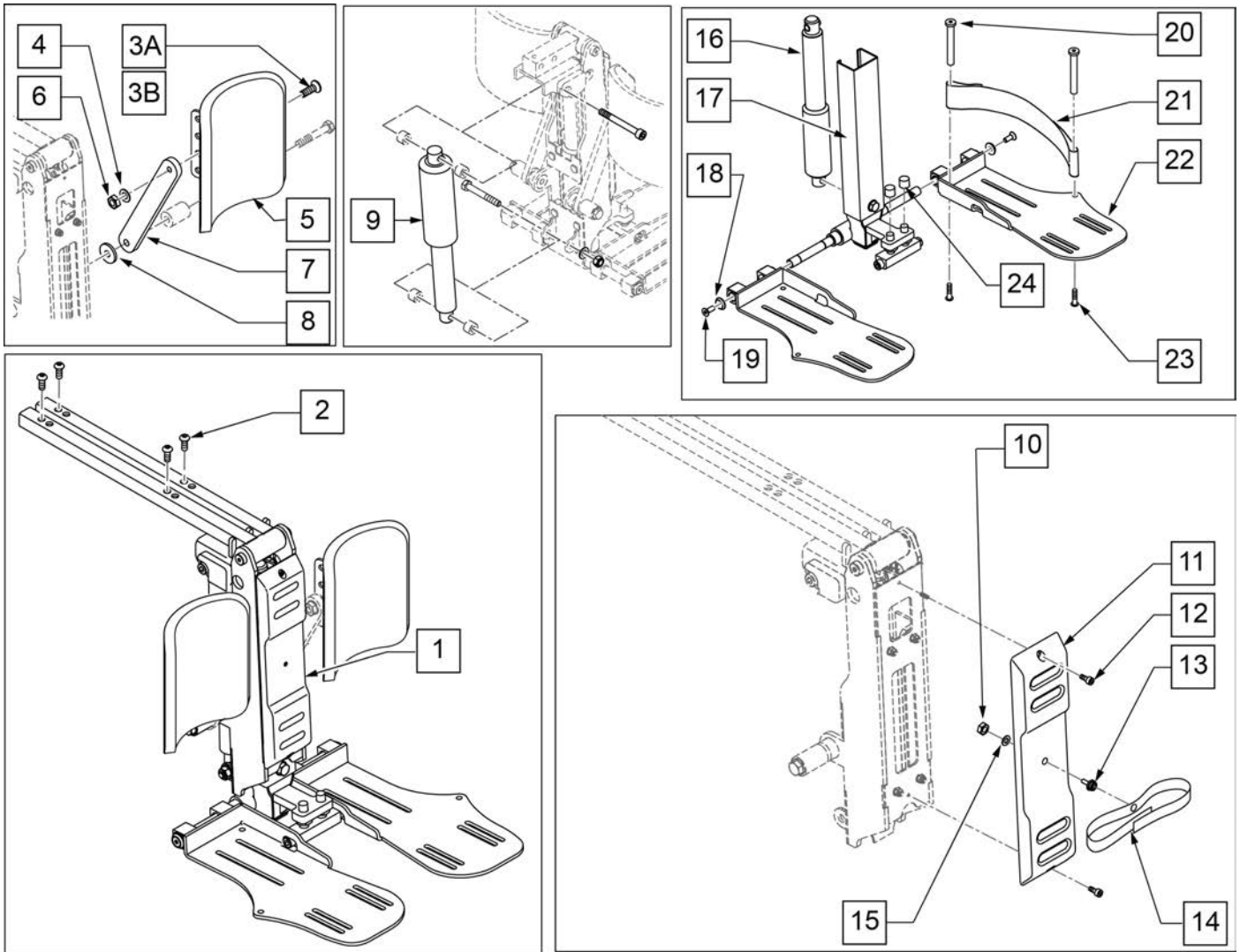
Pos.	Item Number	Description	Remarks
15	820467	FP ADLT ADJ 16/17 L HL	Left
15	820469	FP ADLT ADJ 18-20 R HL	Right
15	820471	FP ADLT ADJ 18-20 L HL	Left
16	109779	BRACKET CONNECTOR MOUNT RH	Right
16	109837	BRACKET CONNECTOR MOUNT LH	Left
17	230494	M5-30 BTTN HD SOC C/S BLK	
18	220121	NUT HEX NYLOCK M5 BLACK	
19	013152	BHCS M8 X 1.25 X 55 BLK.	
21	015259	IN-LINE ELR CALF PAD BRKT ASSM	
22	483717	HANGER SADDLE	
23	234891	M6 X 20 HEX C/S	
1-10,21	111206	IN LINE ALR ASSY LH 12" CABLE	Left
1-10,21	111207	IN LINE ALR ASSY RH 12" CABLE	Right
1-11A,13,14A-21	111957	ALR 14/15W SHT EXT ASSM	PAIR
1-11A,13,14B-21	111960	ALR 14/15W LNG EXT ASSM	PAIR
1-11A,13,14A-21	111958	ALR 16/17W SHT EXT ASSM	PAIR
1-11A,13,14B-21	111961	ALR 16/17W LNG EXT ASSM	PAIR
1-11A,13,14A-21	111959	ALR 18/20W SHT EXT ASSM	PAIR
1-11A,13,14B-21	111962	ALR 18/20W LNG EXT ASSM	PAIR





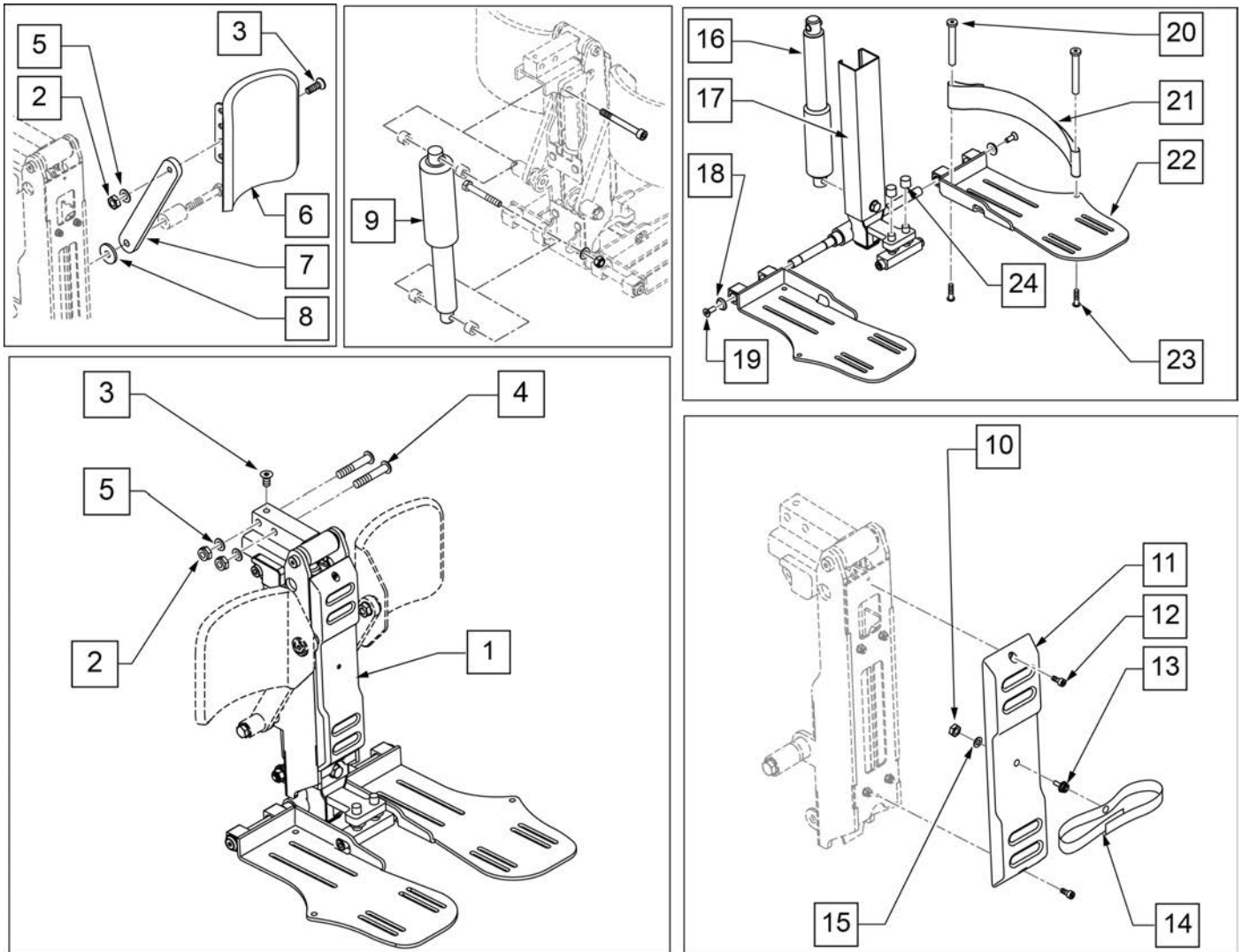
Pos.	Item Number	Description	Remarks
1	114491	POWER CM LEGREST NA ASAP SINGL	
2	013150	BHCS M8 X 1.25 X 20 BLK	
3	103502-006	FHCS M8 x 1.25 x 25 FULL NP	
4	011691	WASHER HIGH STRENGTH 8mm	
5A	755012	CALF PAD TROUGH STYLE 17-20"	Used w/ 17-20" wide
5B	755014	CALF PAD TROUGH STYLE 14/16	Used w/ 14-16" wide
6	013036	M8 X 1.25 JAM NUT HEX	
7	013887-001	BAR SA CALF PAD 160	
8	561016	1" WASHER 5/16" HOLE	
9	112665	ACT MBL LL1001 NA POLARITY	Elevating Actuator
10	200099	8 -32 NYLOCK NUT THIN	
11	015156	PCM FRONT COVER	
12	230132	SHCS M4 x .7 x 10	
13	106687	MACHINE SCREW STUD #8 -32 x 1/2	
14	106484	CALF PAD STRAP	
15	111203	WASHER LARGE OD #8	
16	112666	ACT MBL LL1000 NA POLARITY	Articulating Actuator
17	015339	LOWER SECTION KIDS	
18	113591	LOWER SECTION	
19	106381	SET SCREW M8X35	

<b>Pos.</b>	<b>Item Number</b>	<b>Description</b>	<b>Remarks</b>
20	234960	M8 -35 HEX C/S	
21	250106	M8 LOCK WASHER	
22	103143	SHCS M8 X 1.25 X 60 INORG	
23	105245	FOOTPLATE	
19-23	101685	QUICKIE FOOTPLATE	



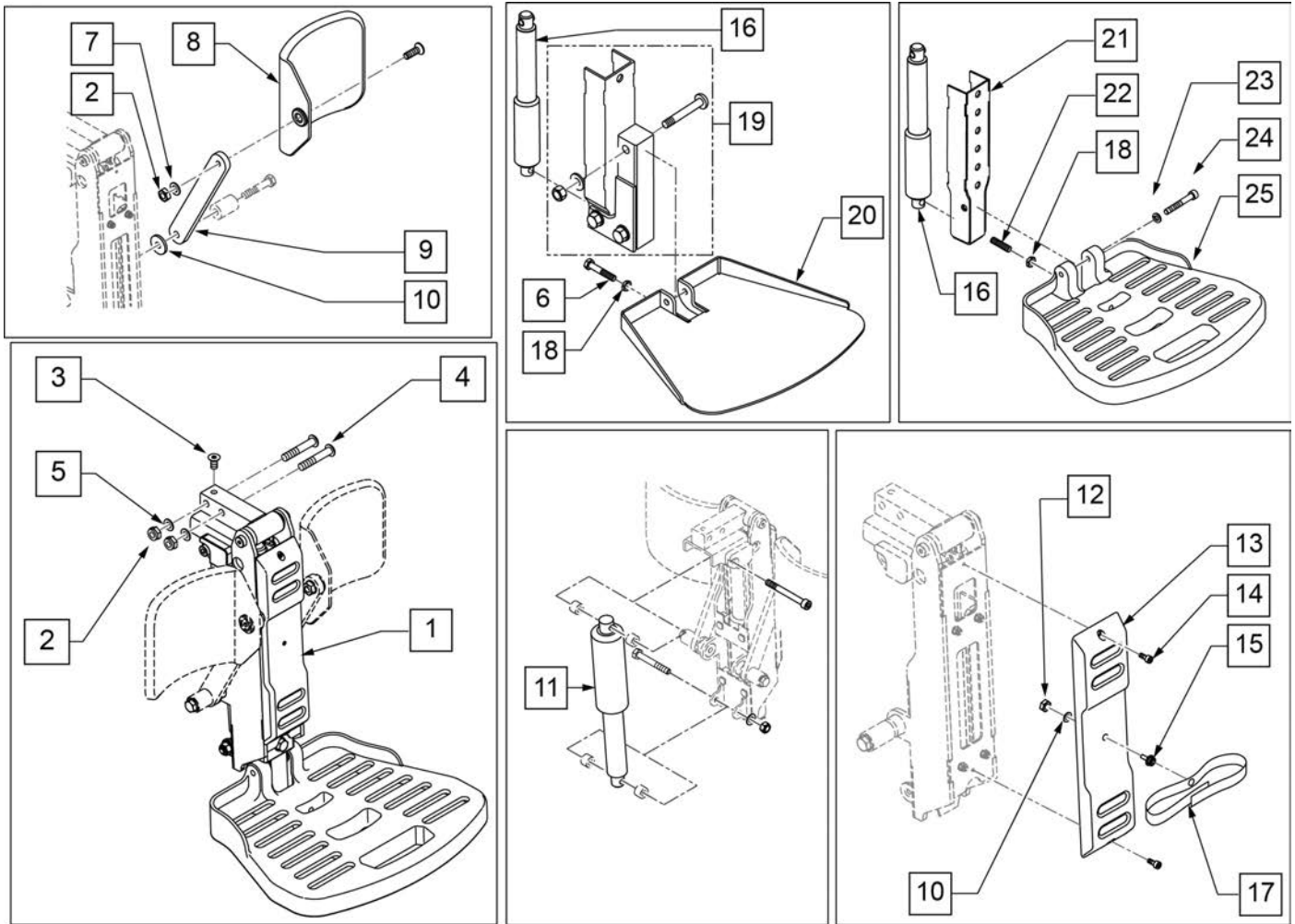
Pos.	Item Number	Description	Remarks
1	113277	POWER CM LEGREST NA ASAP	
2	013150	BHCS M8 X 1.25 X 20 BLK	
3A	103502-006	FHCS M8 x 1.25 x 25 FULL NP	Used w/ Captains Seat
3B	230121	BHCS M8 X 1.25 X 20MM PATCH	Used w/ ASAP Seat
4	011691	WASHER HIGH STRENGTH 8mm	
5	013211	ASSM CALF PAD SINGLE ROW	
6	013036	M8 X 1.25 JAM NUT HEX	
7	013887-001	BAR SA CALF PAD 160	
8	561016	1" WASHER 5/16" HOLE	
9	112665	ACT MBL LL1001 NA POLARITY	Elevating Actuator
10	200099	8 -32 NYLOCK NUT THIN	
11	015156	PCM FRONT COVER	
12	230132	SHCS M4 x .7 x 10	
13	106687	MACHINE SCREW STUD #8 -32 x 1/2	
14	106484	CALF PAD STRAP	
15	111203	WASHER LARGE OD #8	
16	112666	ACT MBL LL1000 NA POLARITY	Articulating Actuator
20	561040	HEEL LOOP PEG	

<b>Pos.</b>	<b>Item Number</b>	<b>Description</b>	<b>Remarks</b>
21	741170	HEEL LOOP P300	
22	015193	PCM SINGLE FOOTPLATE LH	Left
22	015194	PCM SINGLE FOOTPLATE RH	Right
23	226123	1/4-20 X 1 BH C/S BLK ZN	
24	122106	THREAD CAP	
17-19	015340	PCM LOWER SECTION ADULT	
10-15	113297	PCM COVER ASSY	



Pos.	Item Number	Description	Remarks
1	112667	POWER CM LEGREST NA	
2	210085	NUT HEX NYLOCK M8 BLACK	
3	103502-006	FHCS M8 x 1.25 x 25 FULL NP	PR
4	230123	BHCS M8 x 1.25 x 45	
5	011691	WASHER HIGH STRENGTH 8mm	
6	013211	ASSM CALF PAD SINGLE ROW	
7	013887-001	BAR SA CALF PAD 160	
8	561016	1" WASHER 5/16" HOLE	
9	112665	ACT MBL LL1001 NA POLARITY	Elevating Actuator
10	200099	8 -32 NYLOCK NUT THIN	
11	015156	PCM FRONT COVER	
12	230132	SHCS M4 x .7 x 10	
13	106687	MACHINE SCREW STUD #8 -32 x 1/2	
14	106484	CALF PAD STRAP	
15	111203	WASHER LARGE OD #8	
16	112666	ACT MBL LL1000 NA POLARITY	Articulating Actuator
20	561040	HEEL LOOP PEG	
21	741170	HEEL LOOP P300	

<b>Pos.</b>	<b>Item Number</b>	<b>Description</b>	<b>Remarks</b>
22	015193	PCM SINGLE FOOTPLATE LH	Left
22	015194	PCM SINGLE FOOTPLATE RH	Right
23	226123	1/4-20 X 1 BH C/S BLK ZN	
24	122106	THREAD CAP	
17-19	015340	PCM LOWER SECTION ADULT	
10-15	113297	PCM COVER ASSY	

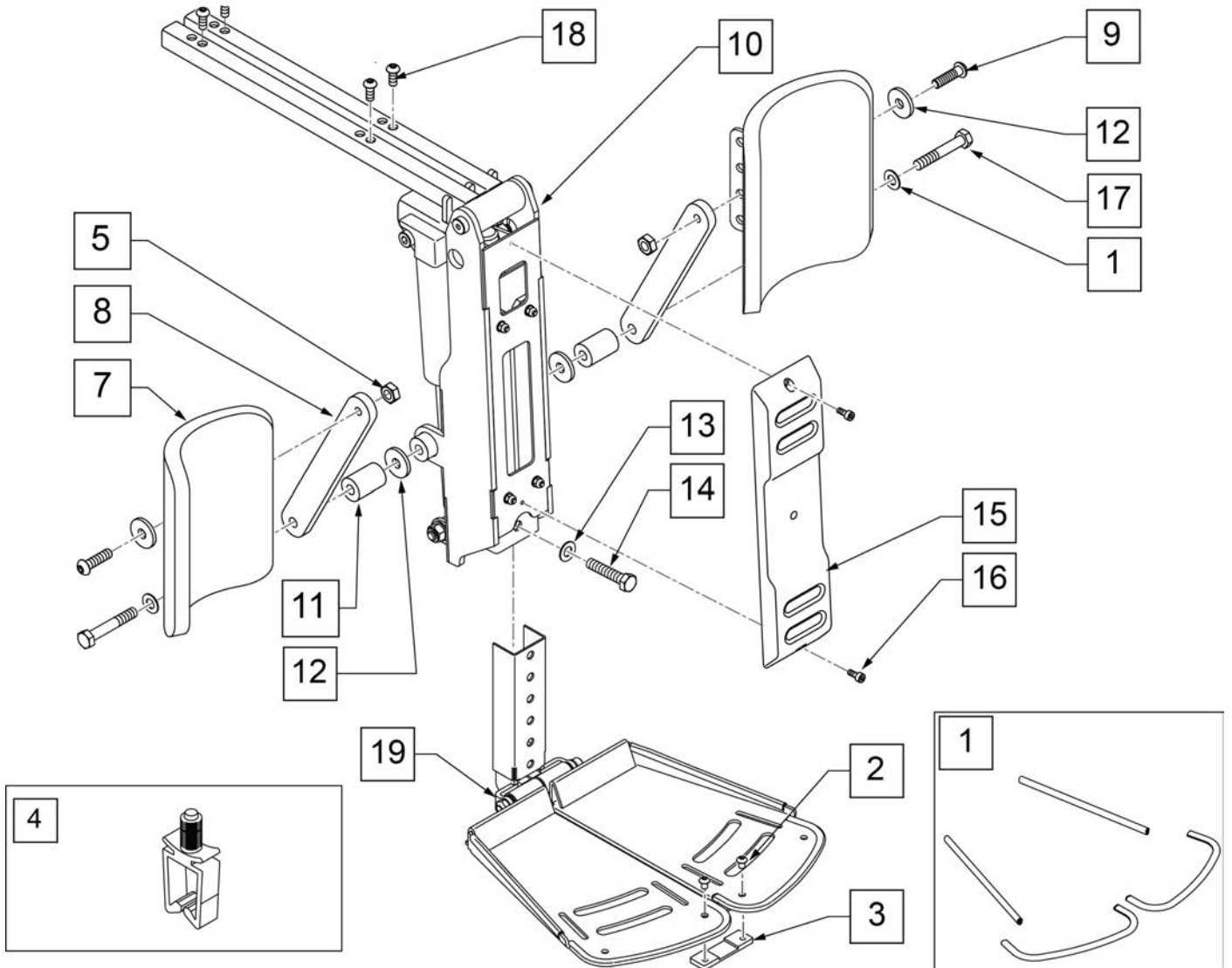


Pos.	Item Number	Description	Remarks
1	114492	POWER CM LEGREST NA REHAB SNGL	
2	210085	NUT HEX NYLOCK M8 BLACK	
3	103502-006	FHCS M8 x 1.25 x 25 FULL NP	PR
4	230123	BHCS M8 x 1.25 x 45	
5	011691	WASHER HIGH STRENGTH 8mm	
6	234960	M8 -35 HEX C/S	
7	561016	1" WASHER 5/16" HOLE	
8	755012	CALF PAD TROUGH STYLE 17-20"	Used w/ 17-20" wide
8	755014	CALF PAD TROUGH STYLE 14/16	Used w/ 14-16" wide
9	013887-001	BAR SA CALF PAD 160	
10	111203	WASHER LARGE OD #8	
11	112666	ACT MBL LL1000 NA POLARITY	Elevating Actuator
12	200099	8 -32 NYLOCK NUT THIN	
13	015156	PCM FRONT COVER	
14	230132	SHCS M4 x .7 x 10	
15	106687	MACHINE SCREW STUD #8 -32 x 1/2	
16	112665	ACT MBL LL1001 NA POLARITY	Articulating Actuator
17	106484	CALF PAD STRAP	
18	013036	M8 x 1.25 JAM NUT HEX	
19	015339	LOWER SECTION KIDS	

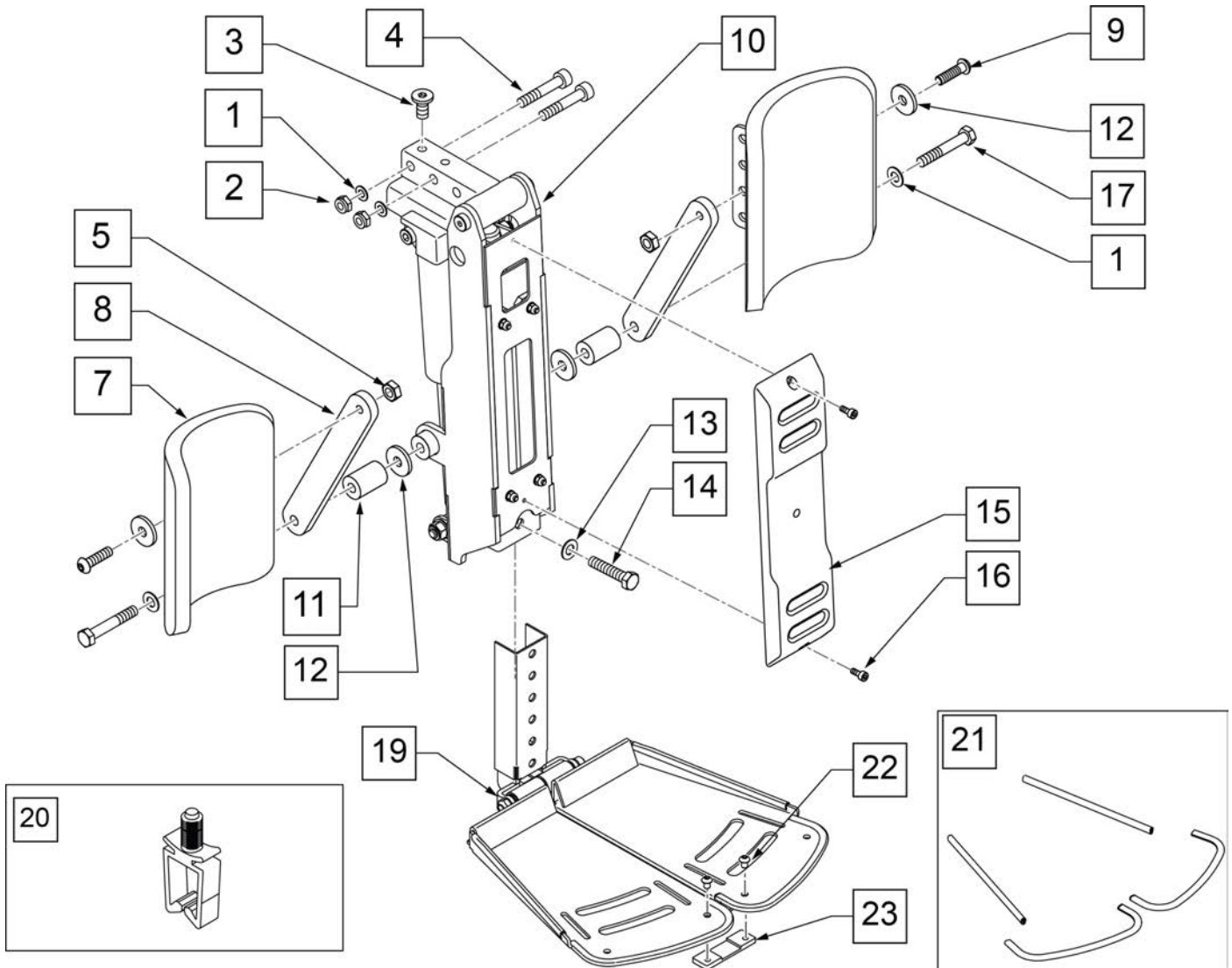
Pos.	Item Number	Description	Remarks
20	118097	PLATE SUPPORT W/ TRIM	
21	113591	LOWER SECTION	
22	106381	SET SCREW M8X35	
23	250106	M8 LOCK WASHER	
24	103143	SHCS M8 X 1.25 X 60 INORG	
25	105245	FOOTPLATE	



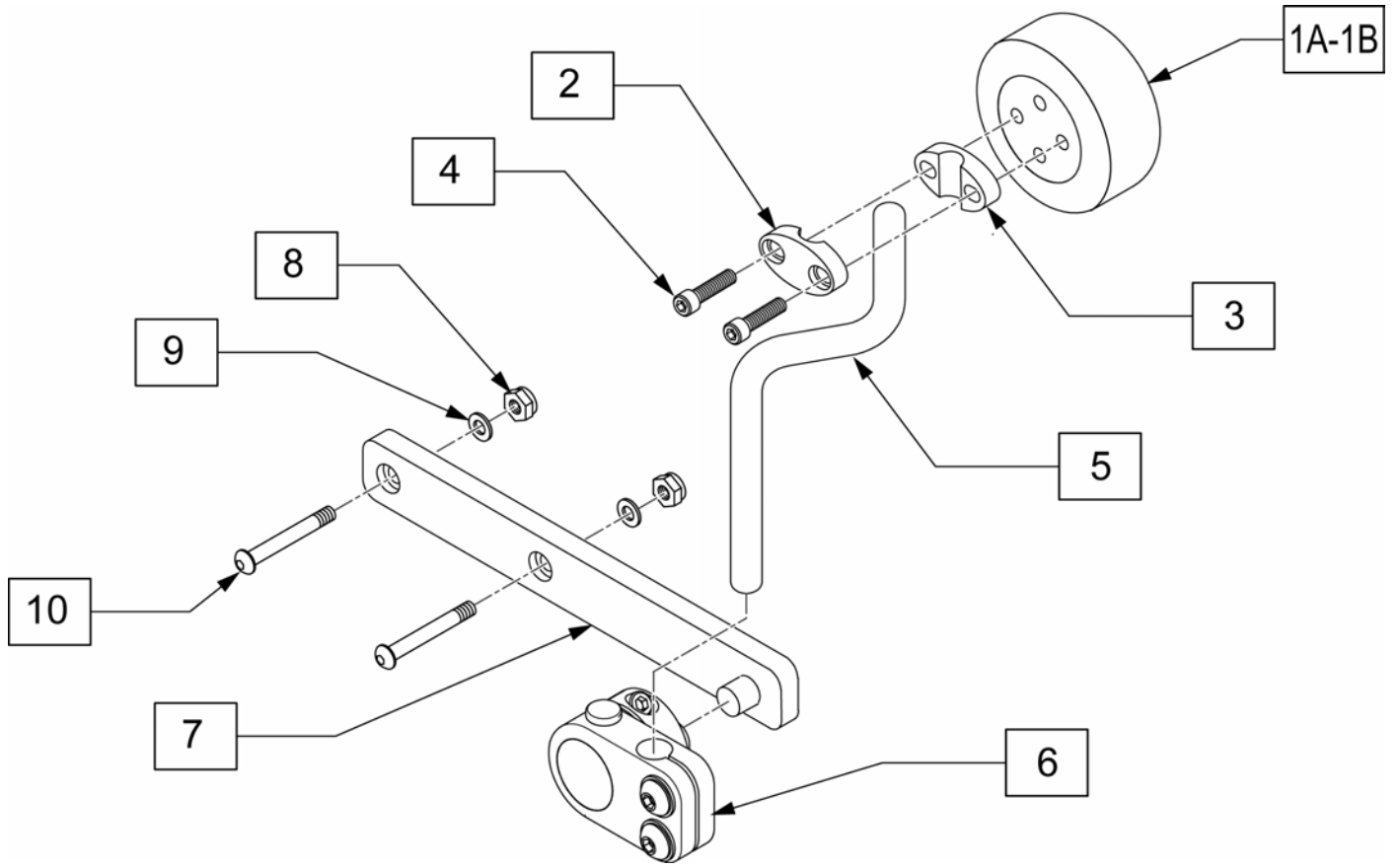
Note: Retro-fit to chairs built after July 1 2013 only.



<b>Pos.</b>	<b>Item Number</b>	<b>Description</b>
1	126189	DUAL FOOTPLATE TRIM KIT
2,3	126190	DUAL FTPLT CONNECTOR PLATE
4	124936	CLIP, WIRE SADDLE
5	210085	NUT HEX NYLOCK M8 BLACK
6	505934	SPACER 8 x 2 CASTER
7	013211	ASSM CALF PAD SINGLE ROW
8	013887-001	BAR SA CALF PAD 160
9	055028	SHCSM8X1.25X25FULLPL
12	561016	1" WASHER 5/16" HOLE
15	015156	PCM FRONT COVER
16	230132	SHCS M4 x .7 x 10
17	013803	HHCS M8 X 1.25 X 50 BLK
10-17	125283	POWER CM FTRST ASSY ASAP
19	126002	PCM ASSY DUAL FP
1,7-9,11,12,17	126188	CALF PAD ASSM W/ HDWR 1 SIDE
18	013150	BHCS M8 X 1.25 X 20 BLK



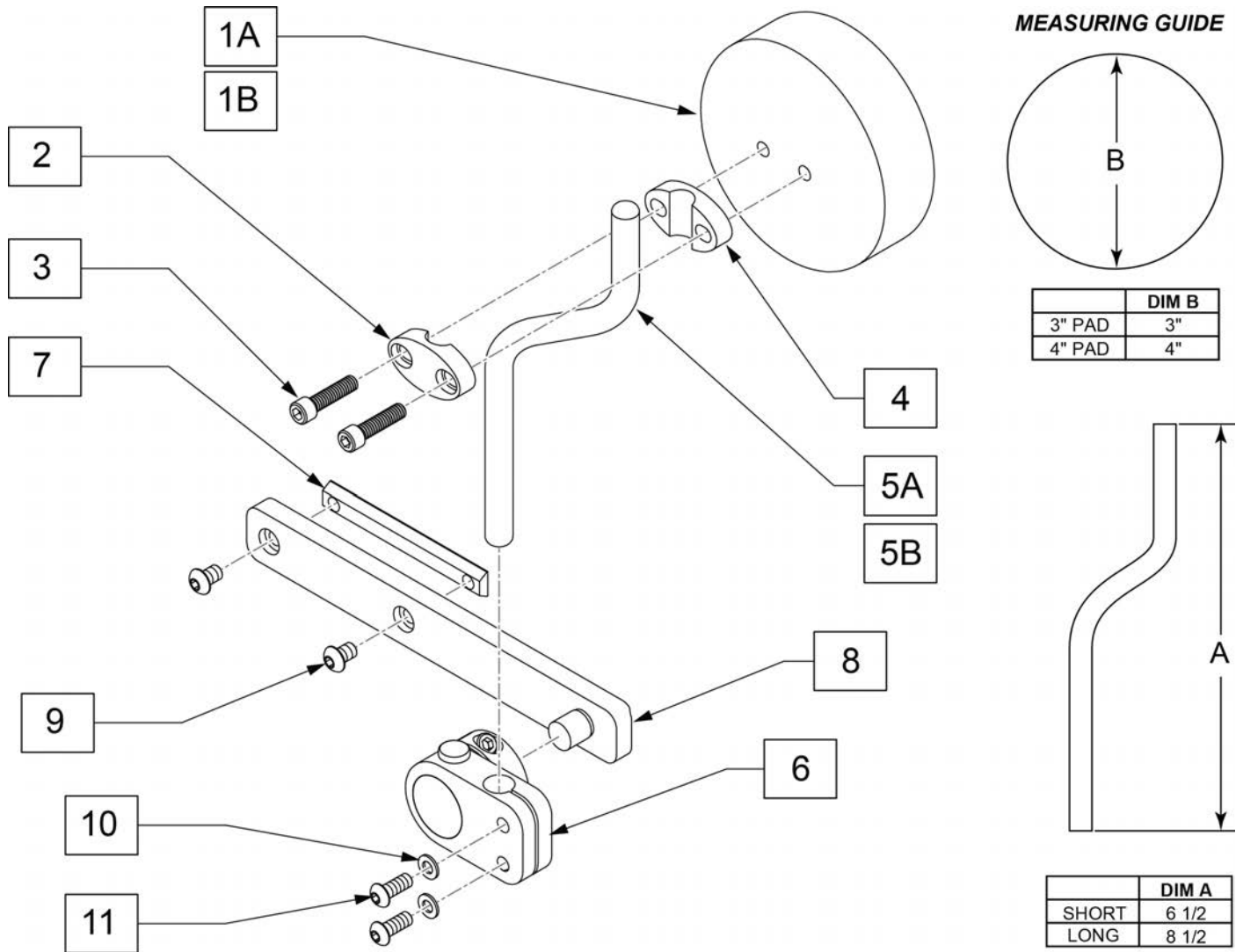
Pos.	Item Number	Description	Pos.	Item Number	Description
1	011691	WASHER HIGH STRENGTH 8mm	15	015156	PCM FRONT COVER
2	210085	NUT HEX NYLOCK M8 BLACK	16	230132	SHCS M4 x .7 x 10
3	013149	BHCS M8 x 16	17	013803	HHCS M8 X 1.25 X 50 BLK
4	119272	SHCS,M8X1.25X40,PF,NP	10-17	123564	POWER CM FTRST ASSY
5	210085	NUT HEX NYLOCK M8 BLACK	19	126002	PCM ASSY DUAL FP
6	505934	SPACER 8 x 2 CASTER	20	124936	CLIP, WIRE SADDLE
7	013211	ASSM CALF PAD SINGLE ROW	21	126189	DUAL FOOTPLATE TRIM KIT
8	013887-001	BAR SA CALF PAD 160	1,7-9,11,12,17	126188	CALF PAD ASSM W/ HDWR 1 SIDE
9	055028	SHCSM8X1.25X25FULLPL	22,23	126190	DUAL FTPLT CONNECTOR PLATE
12	561016	1" WASHER 5/16" HOLE			



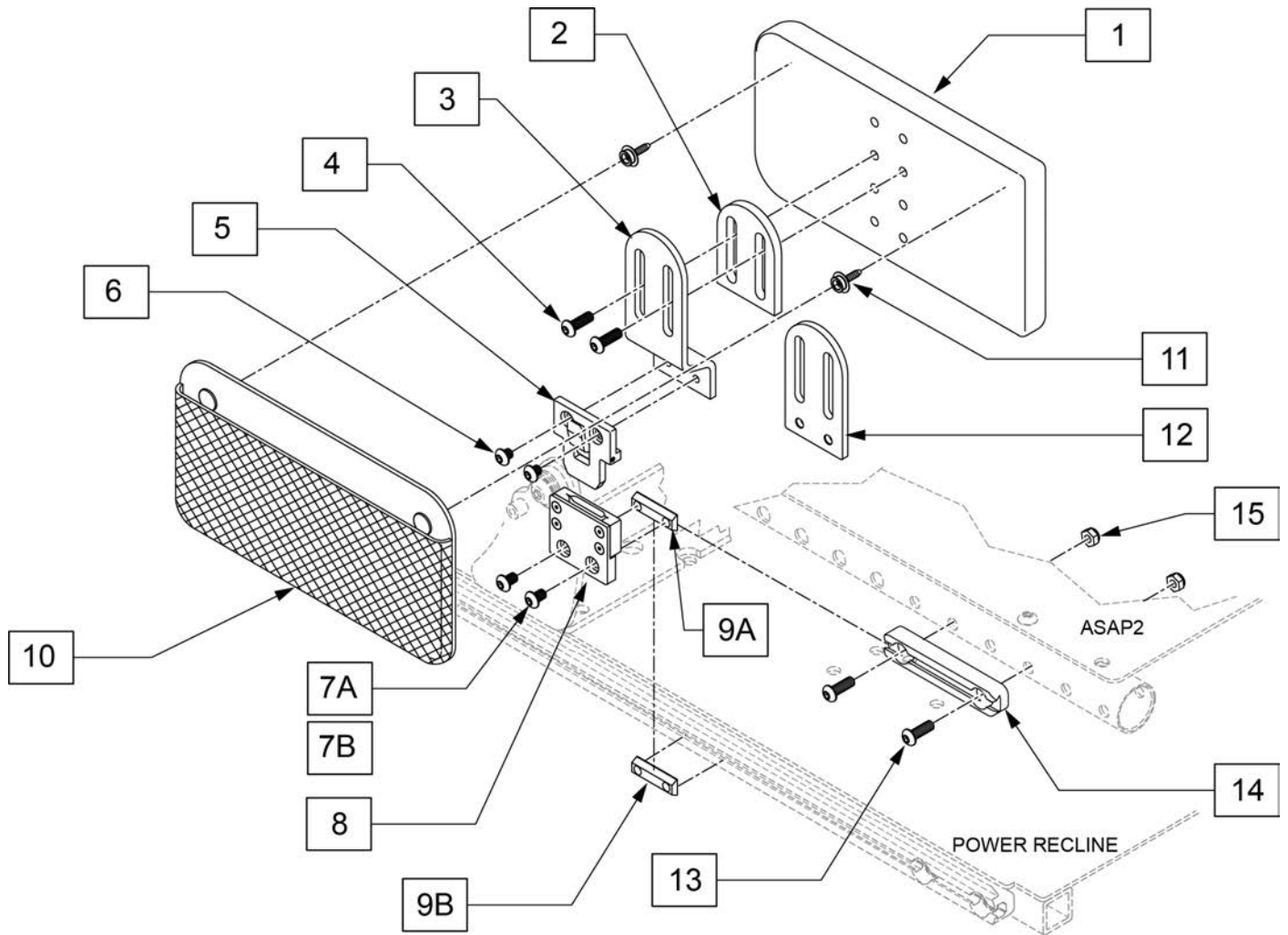
Pos.	Item Number	Description	Remarks
1A	KAD10XX	KNEE ADDUCTOR PAD, 3IN ROUND	
1B	KAD11XX	KNEE ADD PAD, 4IN ROUND	
2-4	112830	PAD MOUNT KIT KNEE SPVRT ASSM	
5A	PRT4857	LONG ARM SA KNEE	
5B	PRT4858	SHORT ARM SA KNEE	
6	112831	SWING AWAY KNEE SUPPORT R	Right
6	112832	SWING AWAY KNEE SUPPORT L	Left
7	112867	MOUNT BRKT KNEE SUPPORT STD	
8	104381	NUT HEX NYLOCK M6 X 1.0	
9	107383	WASHER FLAT M6 ROHS	
10	102262-007	BHCS M6 X 1 X 45 INORG	
1A-4,5A,6	118863	KNEE SUPP ASSM R SHORT 3" PAD	
1A-4,5A,6	118864	KNEE SUPP ASSM L SHORT 3" PAD	
1A-4,5B,6	118865	KNEE SUPP ASSM R LONG 3" PAD	
1A-4,5B,6	118866	KNEE SUPP ASSM L LONG 3" PAD	
1B-4,5A,6	118867	KNEE SUPP ASSM R SHORT 4" PAD	
1B-4,5A,6	118868	KNEE SUPP ASSM L SHORT 4" PAD	
1B-4,5B,6	118869	KNEE SUPP ASSM R LONG 4" PAD	
1B-4,5B,6	118870	KNEE SUPP ASSM L LONG 4" PAD	

**NOTE:** Effective on Rhythm chairs built after 3/18/2010 (S/N RTMA-106545).

**NOTE:** Effective on Pulse chairs built after 3/18/2010 (S/N PLS-100923).

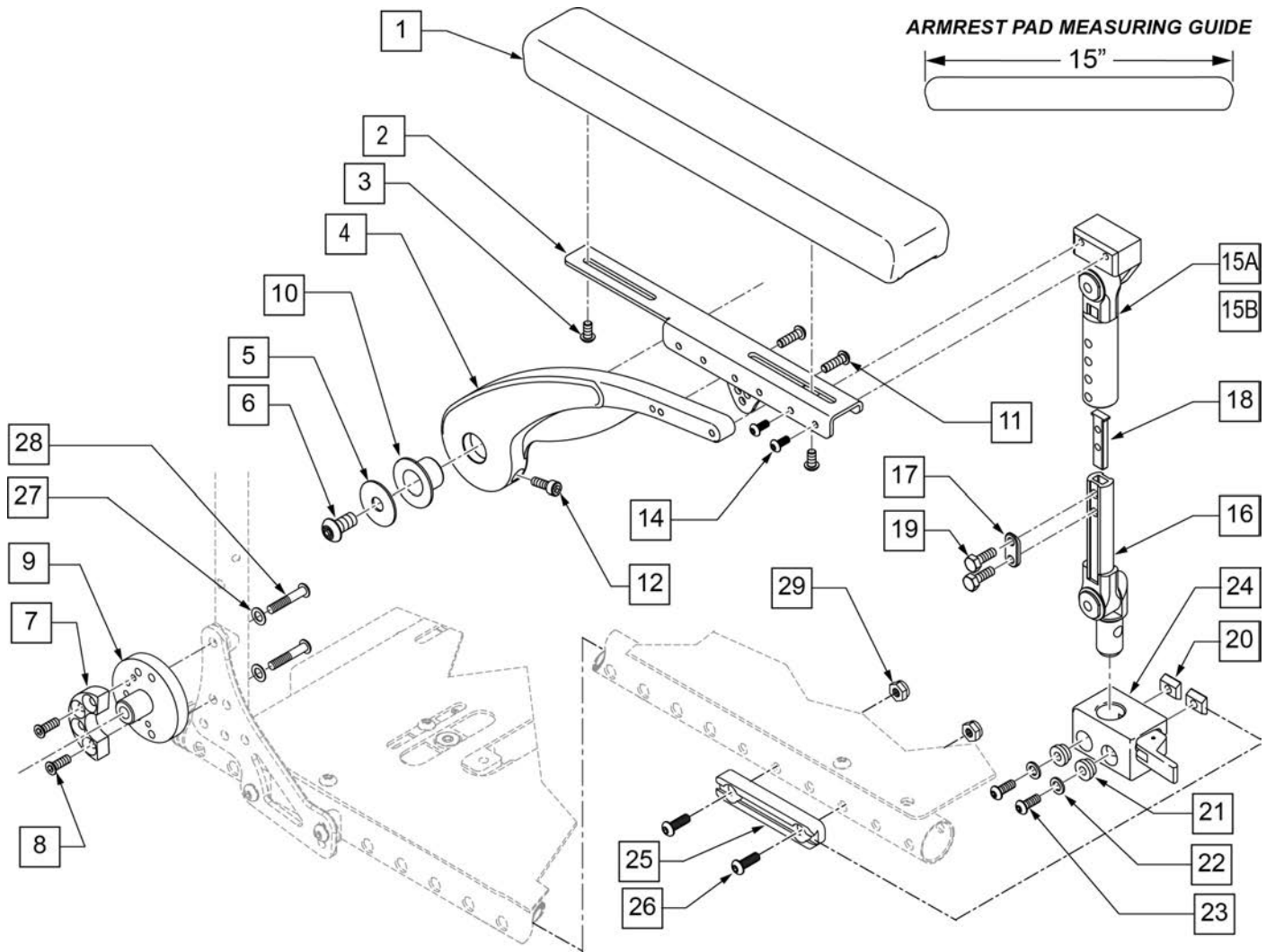


<b>Pos.</b>	<b>Item Number</b>	<b>Description</b>
1A	KAD10XX	KNEE ADDUCTOR PAD 3" ROUND
1B	KAD11XX	KNEE ADDUCTOR PAD 4" ROUND
2-4	112830	PAD MOUNT KIT
6,10,11	112831	SWING AWAY KNEE R
6,10,11	112832	SWING AWAY KNEE L
9	107034	BHCS 1/4-20 X 3/8 ROHS
1A-4,5A -11	112841	KNEE SUPP ASSM R SHORT 3" PAD
1A-4,5A -11	112842	KNEE SUPP ASSM L SHORT 3" PAD
1A-4,5B -11	112843	KNEE SUPP ASSM R LONG 3" PAD
1A-4,5B -11	112844	KNEE SUPP ASSM L LONG 3" PAD
1B-4,5A-11	112845	KNEE SUPP ASSM R SHORT 4" PAD
1B-4,5A-11	112846	KNEE SUPP ASSM L SHORT 4" PAD
1B-4,5B-11	112847	KNEE SUPP ASSM R LONG 4" PAD
1B-4,5B-11	112848	KNEE SUPP ASSM L LONG 4" PAD



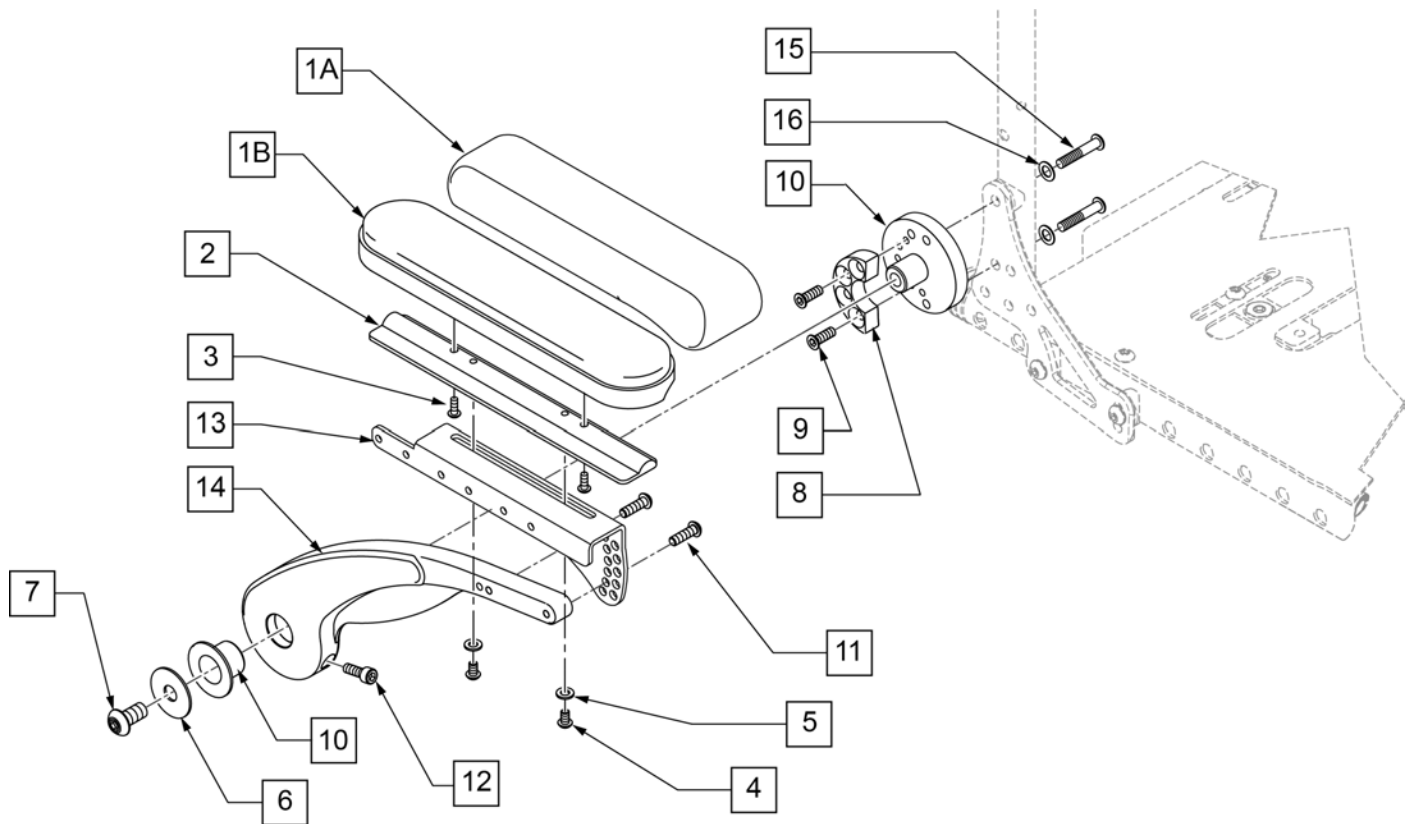
Pos.	Item Number	Description	Remarks
4	n/a	BHCS 1/4 - 20 X .75	
6	n/a	BHCS 1/4 - 20 X .25	
7A	n/a	BHCS 1/4 - 20 X .375	
10	PMB1099	PELVIC MESH BAG	
1,4,10,11	107313	HIP GUIDE PAD 5X10	
1-7A, 7B-9A,9B-12	111906	HIP GUIDE ASSY REMOVBL L 5X10	Left, Includes hdwr for ASAP2 & Power Recline, flush and offset mounting
1-7A, 7B-9A,9B-12	111907	HIP GUIDE ASSY REMOVBL R 5x10	Right, Includes hdwr for ASAP2 & Power Recline, flush and offset mounting
13	119272	SHCS,M8X1.25X40,PF,NP	
14	118624	DOVE TAIL SEAT RAIL 5	
15	210085	NUT HEX NYLOCK M8 BLACK	



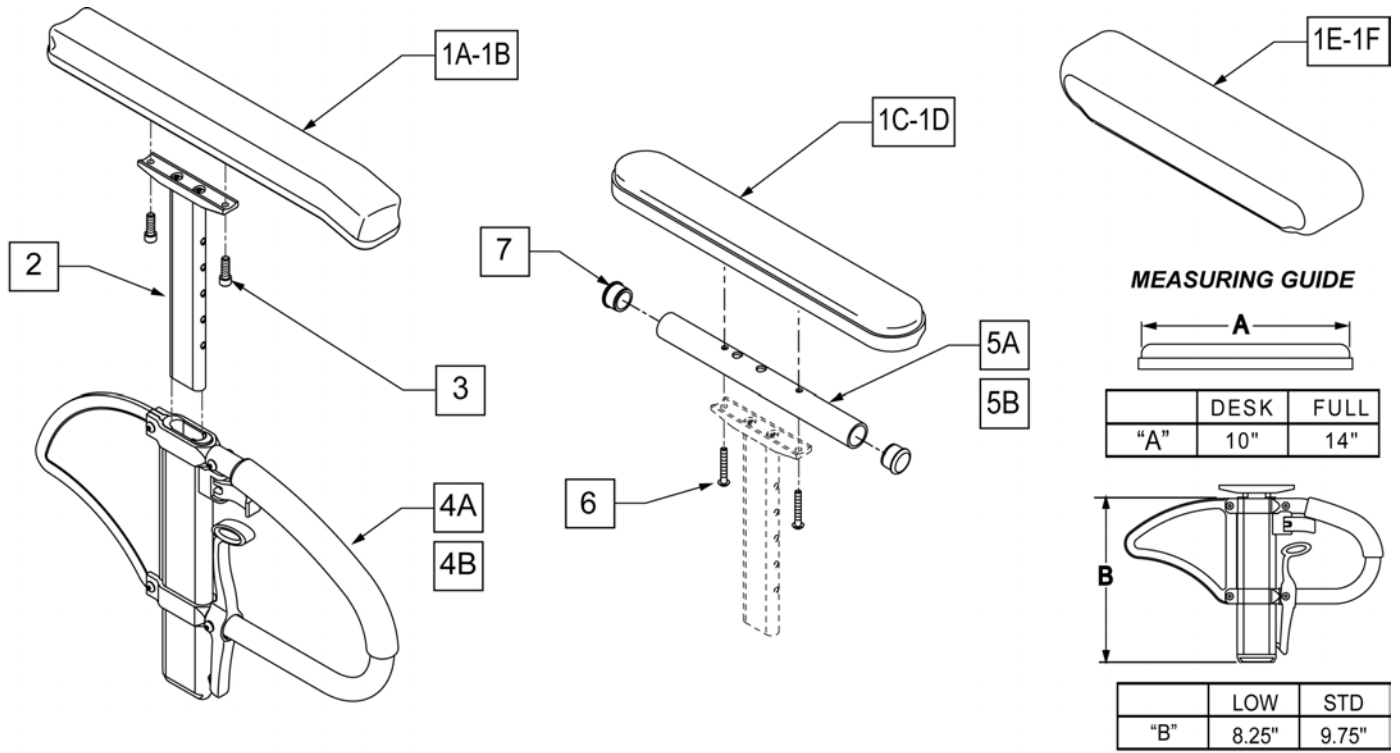


Pos.	Item Number	Description	Remarks
1,3	103114	ARMREST PAD SET	
3	n/a	BHCS M6 X 16	REFERENCE ONLY
5	015056	Part	
6	119073	SHCS LWHD, M10X1.5X35 PL	
8	230455	M4X8 FH SOC/CS	
10	104469	MARCINAL LUB BRNG SF-1 2020	
11	102263-002	SHCS M6X1X20 FULL NP	
12	013156	SHCS M6 X 1 X 20 BLK W/PL	
14	102259-001	BHCS M5 X .8 X 12 W/PL INORG	
17	483717	HANGER SADDLE	
18	500078	INSERT D2 EXT TUBE	
19	221102	1/4-28 X 3/4 HEX C/S BLK W/PAT	
20	010065	M6 CHANNEL NUT	
21	340143	BUSHING .257IDx.25LG SST	
22	263100	5/16 AN WASHER FLAT	
23	230113	BHCS M6 X 1 X 12	
24	506366	UNIVRSL ARMRST RCVR ASSM R	Right
24	506367	UNIVRSL ARMRST RCVR ASSM LH	Left
25	118624	DOVETAIL SEAT RAIL SHORT	Use w/ Center Mount Footrest only

Pos.	Item Number	Description	Remarks
26	235008	M8 X 1.25 X 30 BH C/S	
27	263110-QU	5/16 AN WASHER FLAT THIN	
28	230123	BHCS M8 X 1.25 X 45	
29	210085	NUT HEX NYLOCK M8 BLACK	
20-24	110826	ARMREST REC KIT RIGHT	Right
20-24	110827	ARMREST REC KIT LEFT	Left
14,15A-19	113398	DUAL POST ASSY ASAP 9-10	9-10 ARMREST HEIGHT
14,15B-19	113399	DUAL POST ASSY ASAP 11-12	11-12 ARMREST HEIGHT
14,15A-24	110828	ASAP 2 PNT ARM 9-10 KIT	PAIR (9-10 ARMREST HT) Includes Recievers
14,15B-24	110829	ASAP 2 PNT ARM 11-12 KIT	PAIR (11-12 ARMREST HT) Includes Recievers
2A,4A,5-12	118618	FLIP BACK ARMREST ASSY R	STD
2A,4A,5-12	118617	FLIP BACK ARMREST ASSY L	STD



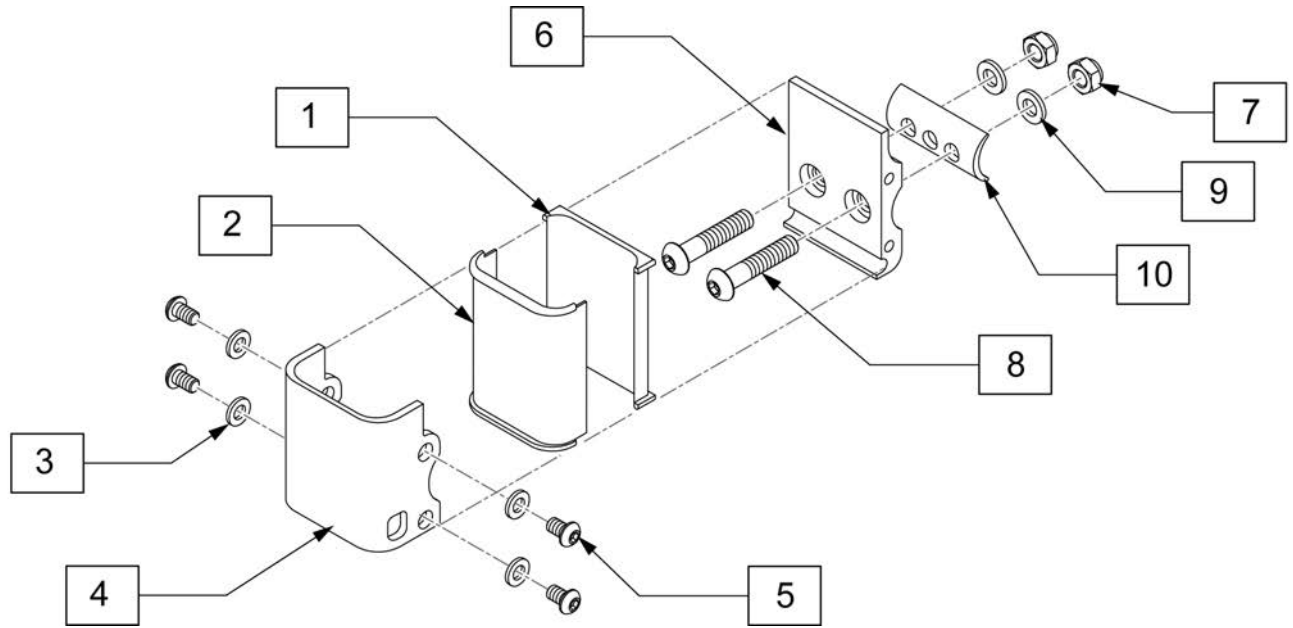
Pos.	Item Number	Description	Remarks
2	010124-001	ARMPAD RIGIDIZER DESK LENGTH	
3	226043	10-32 X 1/2 BH C/S BLK	
4	230113	BHCS M6 X 1 X 12	
5	250104	WASHER FLAT M6	
6	015056	WASHER M10 X 35 X 1.5 BLK	
7	119073	SHCS LWHD, M10X1.5X35 PL	
9	230455	M4X8 FH SOC/CS	
10	104469	MARCINAL LUB BRNG SF-1 2020	
11	102263-002	SHCS M6X1X20 FULL NP	
12	013156	SHCS M6 X 1 X 20 BLK W/PL	
16	263110-QU	5/16 AN WASHER FLAT THIN	
15	230123	BHCS M8 X 1.25 X 45	
1A-5	012370	DESK W/F ARMPAD ASSM L	Left - 10"
1A-5	012371	DESK W/F ARMPAD ASSM R	Right - 10"
1B-5	561024	ARMREST PAD 10" DESK	single
6-14	118791	BACKREST ARMREST	Right,Low
6-14	118790	BACKREST ARMREST	Left,Low



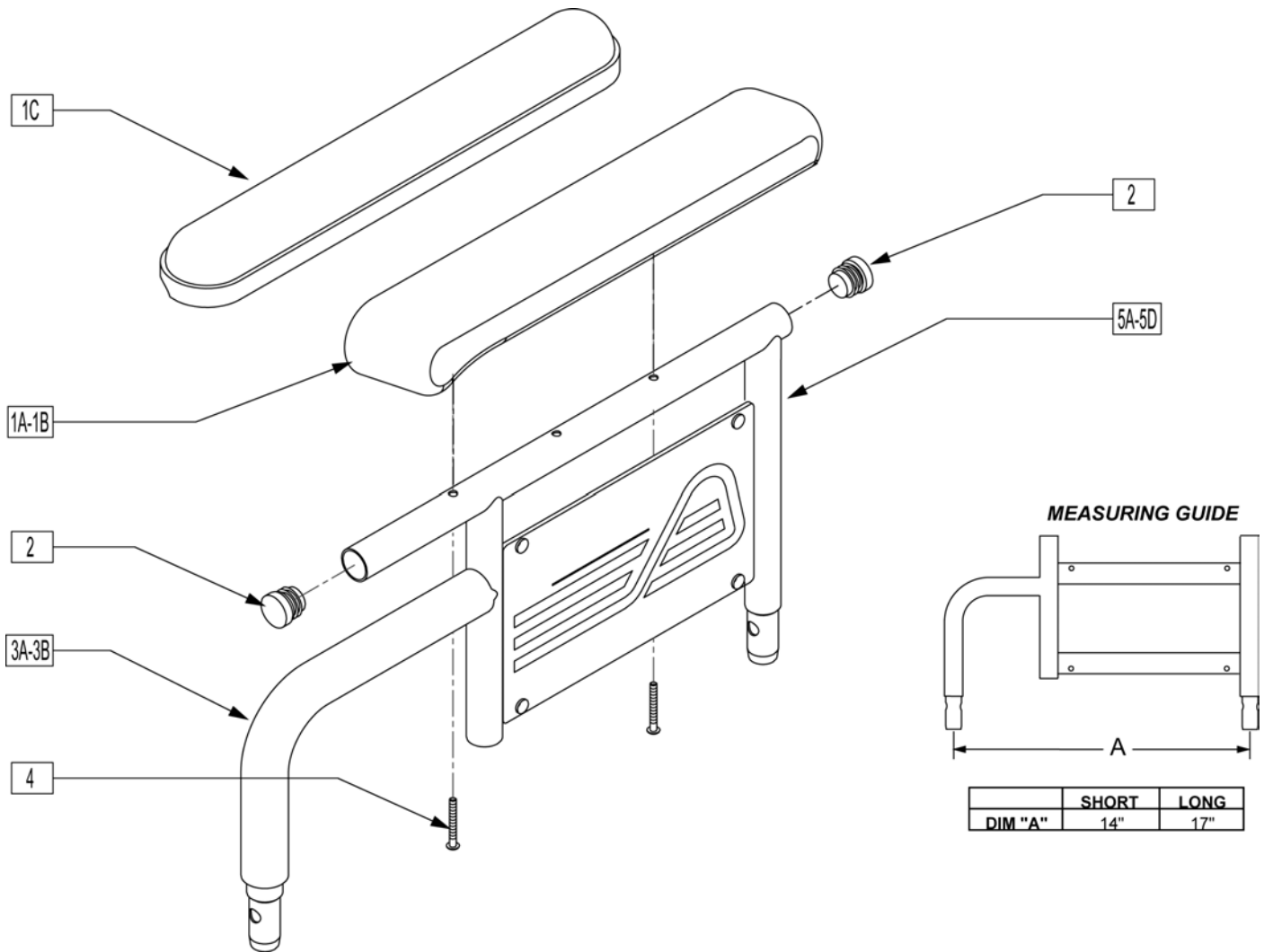
Pos.	Item Number	Description	Remarks
1A	104568-001	SPHA PAD DESK	CONTOUR DESK
1B	104568-002	SPHA PAD FULL	CONTOUR FULL
1C	561024	ARMREST PAD 10" DESK	CLASSIC DESK
1D	561031	ARMREST PAD 14" FULL	CLASSIC FULL
1E	561280	ARMREST PAD 10" LEFT W/F	Leftt-Waterfall Desk
1E	561281	ARMREST PAD 10" RIGHT W/F	Rightt-Waterfall Desk
1F	561284	ARMREST PAD 14" LEFT W/F	Leftt-Waterfall Full
1F	561285	ARMREST PAD 14" RIGHT W/F	Rightt-Waterfall Full
2	116312	SNGL POST UPPR ASSM LOW	LOW/SMALL
2	116313	SNGL POST UPPR ASSM STD	STANDARD
3	106956	SHCS 10-32 X 3/4 ROHS	
2,4A	104509-001	SPHA ARMREST ASSY STD	STANDARD
2,4B	104509-002	SPHA ARMREST ASSY LOW	LOW/SMALL
5A	521812	HT ADJ PD TUBE 10IN DESK POWE	Desk
5B	521813	HT ADJ PD TUBE 14IN FULL POWE	Full
6	107024	BHCS 10-32 X 1 1/2 ROHS	
7	560735	7/8" ROUND TUBE PLUG	
1C-4A-5A,6,7	108599	SPHA STD CLASIC DESK PAD R	Right
1C-4A-5A,6,7	108603	SPHA STD CLASIC DESK PAD L	Left
1D-4A-5B-7	108601	SPHA STD CLASIC FULL PAD R	Right
1D-4A-5B-7	108605	SPHA STD CLASIC FULL PAD L	Left
1A-4A	108595	SPHA STD CNTUR DESK PAD	
1B-4A	108597	SPHA STD CNTUR FULL PAD	
1C-4B-5A,6,7	108600	SPHA LOW CLASIC DESK PAD R	Right
1C-4B-5A,6,7	108604	SPHA LOW CLASIC DESK PAD L	Left
1D-4B-5B-7	108602	SPHA LOW CLASIC FULL PAD R	Right
1D-4B-5B-7	108606	SPHA LOW CLASIC FULL PAD L	Left
1A-4B	108596	SPHA LOW CNTUR DESK PAD	

Pos.	Item Number	Description	Remarks
1B-4B	108598	SPHA LOW CNTUR FULL PAD	

**SINGLE POST ARMREST RECIEVER**



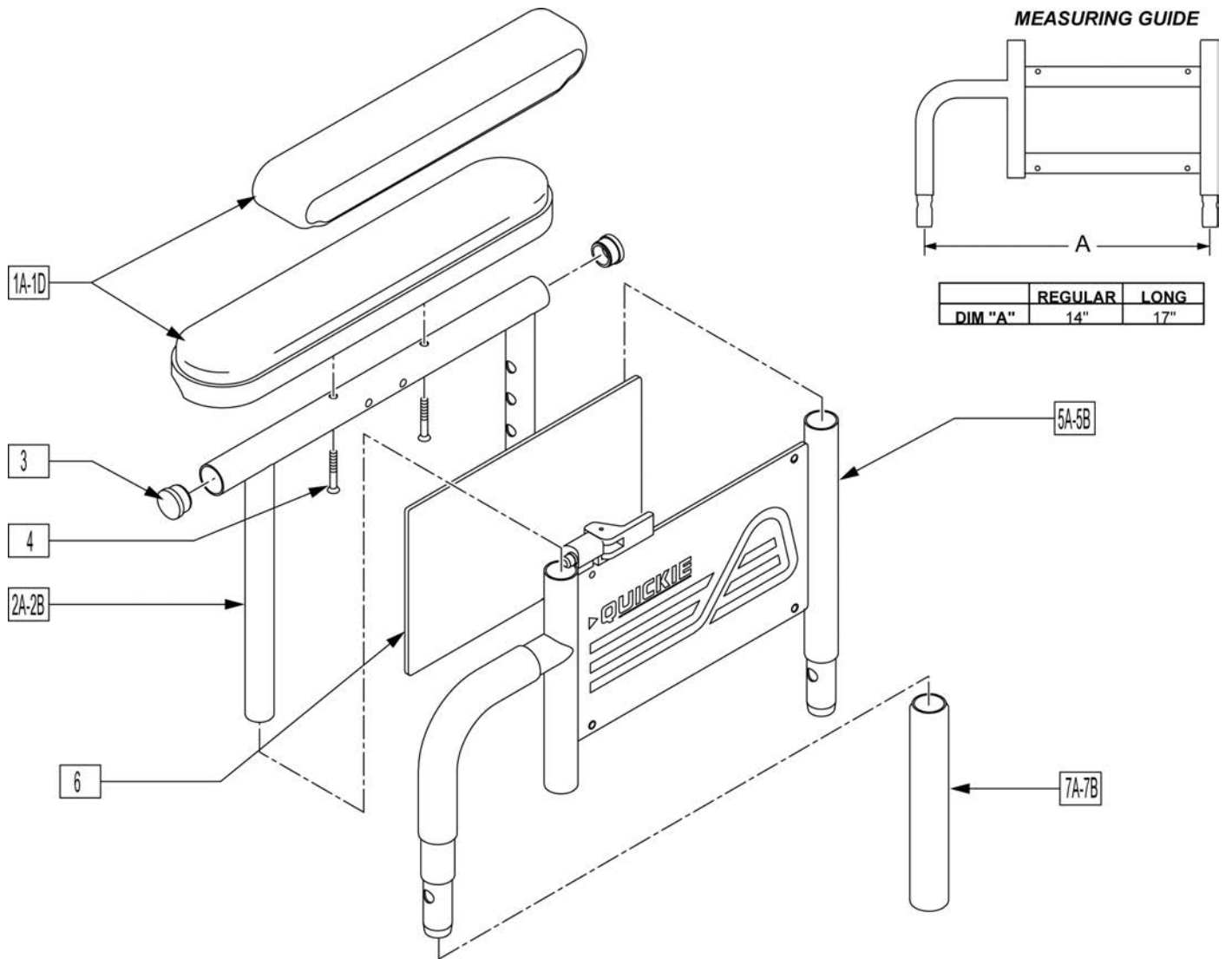
Pos.	Item Number	Description
3	250104	WASHER FLAT M6
5	230032	M6 1X10 BHCS
7	210085	NUT HEX NYLOCK M8 BLACK
8	230122	BHCS M8 X 1.25 X 40 BLK
9	263100	5/16 AN WASHER FLAT
10	550486	HT ADJ RECEIVER SPACER
1-10	118872	SINGLE ARMREST RECEIVER M8



Pos.	Item Number	Description	Remarks
1A	561280	ARMREST PAD 10" LEFT W/F	
1A	561281	ARMREST PAD 10" RIGHT W/F	
1B	561284	ARMREST PAD 14" LEFT W/F	
1B	561285	ARMREST PAD 14" RIGHT W/F	
1C	561024	ARMREST PAD 10" DESK	
1D	561031	ARMREST PAD 14" FULL	
2	560735	7/8" ROUND TUBE PLUG	
3A	560514	FOAM 8" x .840 TUBE	
3B	560614	11" x .840 FOAM TUBE	
4	226038	10-32 x 1 3/8 BH C/S BLK	
5A	540124	FIXED HT SHT ARM DESK PAD PWR	
5B	540125	FIXED HT SHT ARM FULL PAD PWR	
5C	540126	FIXED HGT LONG ARM DSK PAD PW	
5D	540127	FIXED HT LONG ARM FULL PAD PWR	
6	240155	RIVET 3/16 x 3/8 TUBULAR ALUM	
7	562744	ARMREST FRAME PANEL FIXED R	Right
7	562745	ARMREST FRAME PANEL FIXED L	Left
1A,2-4,5A,6,7	881730	D-POST ARM SHT R W/DSK W/F PAD	Right
1A,2-4,5A,6,7	881731	D-POST ARM SHT L W/DSK W/F PAD	Left

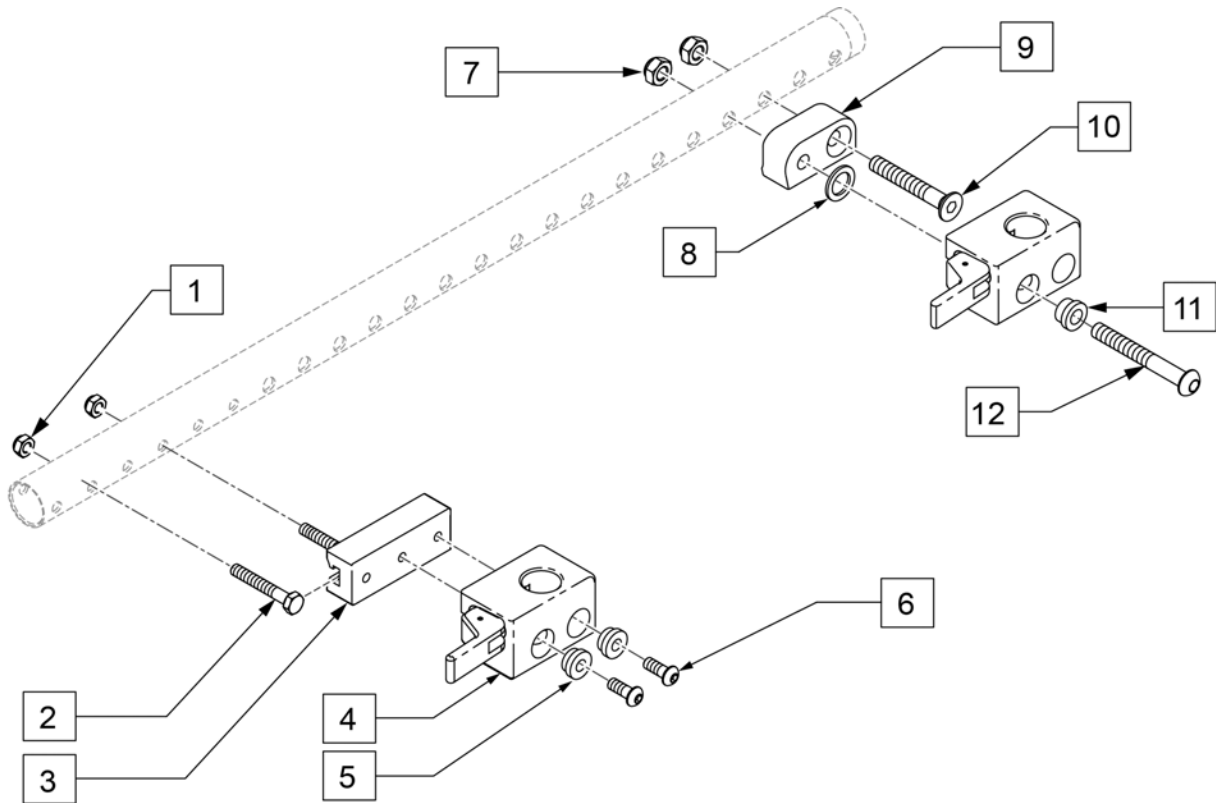
<b>Pos.</b>	<b>Item Number</b>	<b>Description</b>	<b>Remarks</b>
1B,2-4,5B,6,7	881732	D-POST ARM SHT R W/FL W/F PAD	Right
1B,2-4,5B,6,7	881733	D-POST ARM SHT L W/FL W/F PAD	Left
1C,2,3A,4,5C,6,7	881734	D-POST ARM LNG R W/DSK W/F PAD	Right
1C,2,3A,4,5C,6,7	881735	D-POST ARM LNG L W/DSK W/F PAD	Left
1B,2-4,5D,6,7	881736	D-POST ARM LNG R W/FL W/F PAD	Right
1B,2-4,5D,6,7	881737	D-POST ARM LNG L W/FL W/F PAD	Left
1C,2-4,5A,6,7	881580	DUAL POST ARM SHT W/DSK R PWR	Right
1C,2-4,5A,6,7	881581	DUAL POST ARM SHT W/DSK L PWR	Left
1D,2-4,5B,6,7	881582	DUAL POST ARM SHT W/FL R PWR	Right
1D,2-4,5B,6,7	881583	DUAL POST ARM SHT W/FL L PWR	Left
1C,2-4,5C,6,7	881584	DUAL POST ARM LNG W/DSK R PWR	Right
1C,2-4,5C,6,7	881585	DUAL POST ARM LNG W/DSK L PWR	Left
1D,2-4,5D,6,7	881586	DUAL POST ARM LNG W/FL R PWR	Right
1D,2-4,5D,6,7	881587	DUAL POST ARM LNG W/FL L PWR	Left





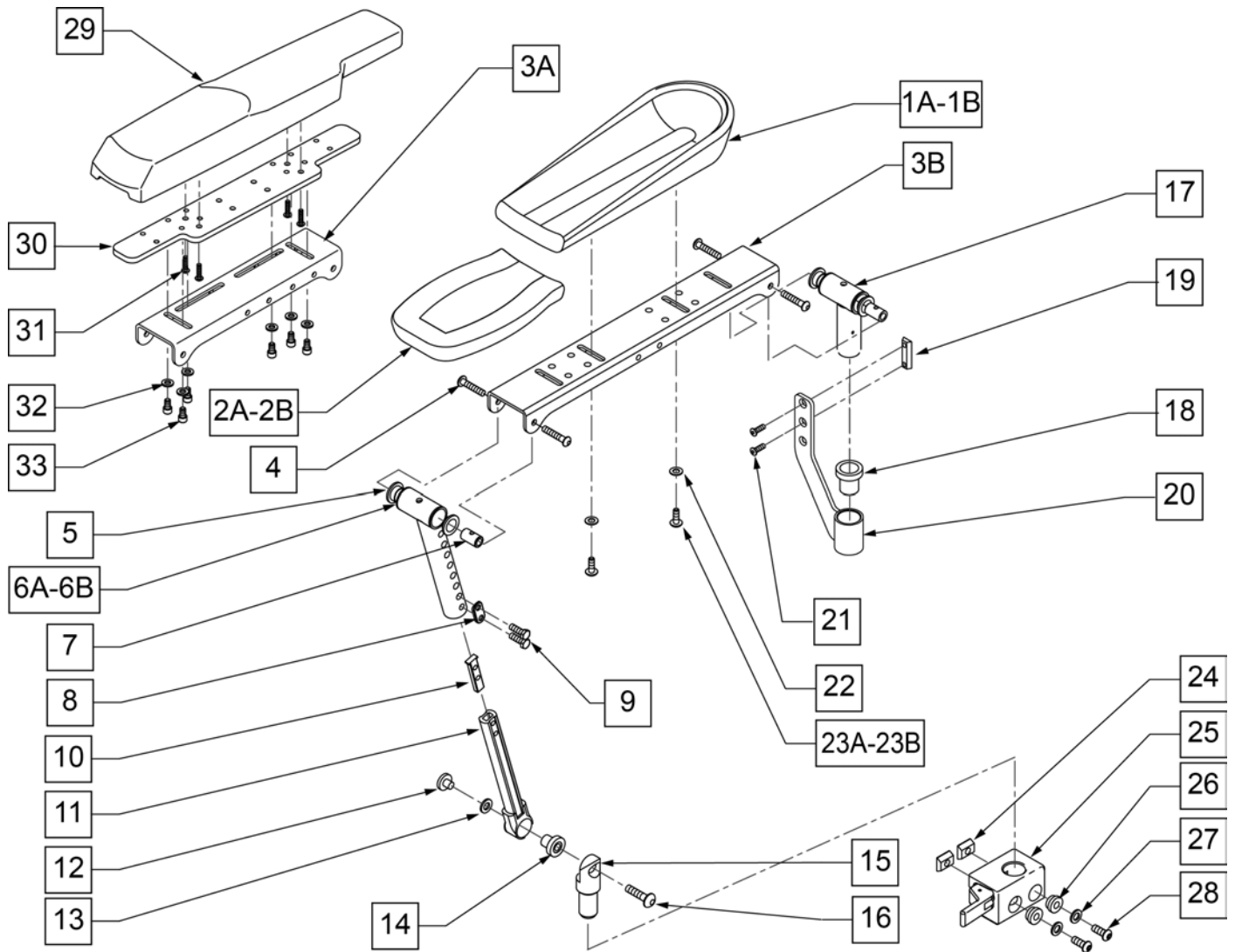
Pos.	Item Number	Description	Remarks
1A	561280	ARMREST PAD 10" LEFT W/F	Left,Desk,Waterfall
1A	561281	ARMREST PAD 10" RIGHT W/F	Right,Desk,Waterfall
1B	561284	ARMREST PAD 14" LEFT W/F	Left,Full,Waterfall
1B	561285	ARMREST PAD 14" RIGHT W/F	Right,Full,Waterfall
1C	561024	ARMREST PAD 10" DESK	Desk Pad
1D	561031	ARMREST PAD 14" FULL	Full Pad
2A	521841	DUAL PST ADJ UPPR ARM DESK PW	Desk
2B	521843	DUAL PST ADJ UPPR ARM FULL PW	Full
3	560735	7/8" ROUND TUBE PLUG	
4	226038	10-32 x 1 3/8 BH C/S BLK	
5A	881556	DUAL POST LOWER ARM ASSM SHT	Regular
5A	881557	DUAL POST LOWER ARM ASSM SHT	Regular
5B	881558	DUAL POST ADJ LOWER ARM LONG R	Long
5B	881559	DUAL POST ADJ LOWER ARM LONG L	Long
6	750009	INSIDE ARMREST PAD (P-222/S-626)	
7A	560514	FOAM 8" x .840 TUBE	Regular
7B	560614	11" x .840 FOAM TUBE	Long

Pos.	Item Number	Description	Remarks
1C,2A,3,4	881446	DUALPOST UHA AREST RH INC DESK	
1C,2A,3,4	881447	DUALPOST UHA AREST LH INC DESK	
1D,2A,3,4	881448	DUALPOST UHA AREST RH INC FULL	
1D,2A,3,4	881449	DUALPOST UHA AREST LH INC FULL	
1A,2A,3,4	881240	D-POST UPPR L ARM ASSM DSK W/F	
1A,2A,3,4	881241	D-POST UPPR R ARM ASSM DSK W/F	
1B,2B,3,4	881242	D-POST UPPR L ARM ASSM FL W/F	
1B,2B,3,4	881243	D-POST UPPR R ARM ASSM FL W/F	
1A,2A,3,4,5A,6	881308	D-POST SHT L W/DSK W/F PAD	
1A,2A,3,4,5A,6	881309	D-POST SHT R W/DSK W/F PAD	
1B,2B,3,4,5A,6	881310	D-POST SHT L W/FL W/F PAD	
1B,2B,3,4,5A,6	881311	D-POST SHT R W/FL W/F PAD	
1A,2A,3,4,5B,6	881312	D-PST LNG ADJ L W/DSK W/F PAD	
1A,2A,3,4,5B,6	881313	D-PST LNG ADJ R W/DSK W/F PAD	
1B,2B,3,4,5B,6	881314	D-POST LNG ADJ L W/FL W/F PAD	
1B,2B,3,4,5B,6	881315	D-POST LNG ADJ R W/FL W/F PAD	
1C,2A,3,4,5A,6	881572	DUAL POST ADJ SHT W/DSK R PWR	
1C,2A,3,4,5A,6	881573	DUAL POST ADJ SHT W/DSK L PWR	
1D,2B,3,4,5B,6	881574	DUAL POST ADJ LONG W/FL R PWR	
1D,2B,3,4,5B,6	881575	DUAL POST ADJ LONG W/FL L PWR	
1C,2A,3,4,5B,6	881576	DUAL POST ADJ LONG W/DSK R PWR	
1C,2A,3,4,5B,6	881577	DUAL POST ADJ LONG W/DSK L PWR	
1D,2B,3,4,5A,6	881578	DUAL POST ADJ SHT W/FL R PWR	
1D,2B,3,4,5A,6	881579	DUAL POST ADJ SHT W/FL L PWR	



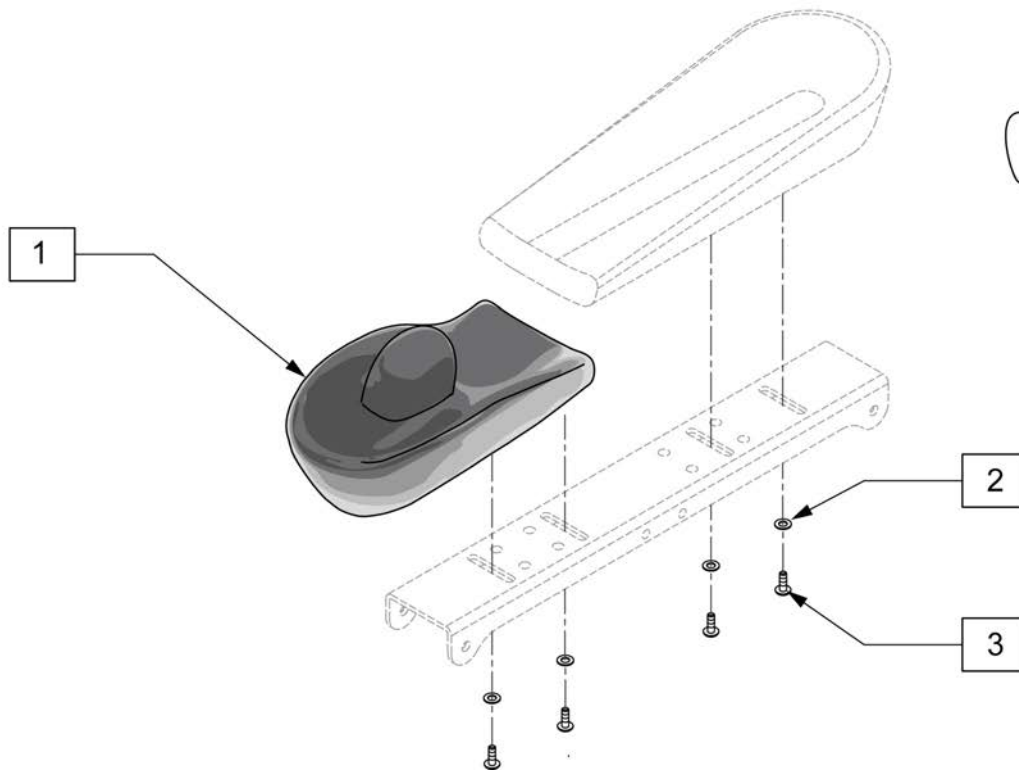
Pos.	Item Number	Description
1	210084	NUT HEX NYLOCK M6 BLACK
2	234813	M6 X 1.0 X 35 HHCS 10.9
3	011501	ADPTR FRNT ARM REC 28.5MM OFST
4	506366	UNIVRSL ARMRST RCVR ASSM RH
4	506367	UNIVRSL ARMRST RCVR ASSM LH
4	506368	UNIV ARMREST RCVR ASSM RV
5	340143	BUSHING .257IDx.25LG SST
6	103185-006	BHCSM6X1X16FULLNP
7	210085	NUT HEX NYLOCK M8 BLACK
8	561272	1/2 X 3/4 X .030 NYLON WASHER
9	506128	ADPTR PVT R UNI ARST RCVR P222
9	506129	ADPTR PVT L UNI ARST RCVR P222
10	230130	FHCS M8 X 1.25 X 50 BLK
11	340142	BUSHING .325IDx.346LG SST
12	103186-014	BHCS M8 X 1.25 X 60 BLK W/PL
1-6	120651	ARMREST RECEIVER ASSM FRNT R
1-6	120652	ARMREST RECEIVER ASSM FRNT L
7-12	120653	ARMREST RECEIVER ASSM BCK R
7-12	120654	ARMREST RECEIVER ASSM BCK L

Note: On QM7 series fits chairs prior to S/N prefix QM710A, QM715A & QM720A.

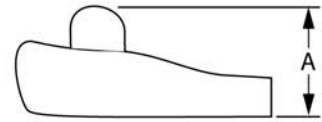


Pos.	Item Number	Description	Remarks
1A	755024	ELBOW PAD TROUGH ARMREST 11.5	11.5" LONG
1B	755027	ELBOW PAD TROUGH ARMREST 14	14" LONG
2A	755022	HAND PAD TROUGH ARMREST	SIZE 4.5" X 7"
2B	561325	FRONT ARM PAD LARGE	SIZE 5.5" X 9"
3A	483249	ARMREST CHANNEL SHORT	
3B	505624	ARMREST CHANNEL LONG	USE WITH LARGE OTTO BOC PADS
4	226245	1/4-20 x 3/8 BH CS BLK ZN	
5	349598	BEARING IGUS 5/8 x 3/4 x 1/2	
6A	542096	FRNT MNT UPPER STRUT WLDMNT SHT	ARMREST HT. 11-14"
6B	542130	FRNT MNT UPPER STRT WLDMNT LNG	ARMREST HT. 13-16"
7	481457	UPPER PIVOT PIN	
8	483717	HANGER SADDLE	
9	221102	1/4-28 x 3/4 HEX C/S BLK W/PAT	
10	500078	INSERT D2 EXT TUBE	

Pos.	Item Number	Description	Remarks
11	542097	FRNT MNT LOWER STRUT WLDMNT	
12	481467	LOWER ARMEST BOSS	
13	341558	.5 x 1.0 x .043 BLLVILL WASHER	
14	349597	BEARING IGUS 1/2 x 5/8 x 5/8	
15	502248	FRONT ARMREST PIVOT POST	
16	226274	3/8-16 x 3/4 BH C/S BLK W/PTCH	
17	885070	REAR PIVOT POST SUB-ASSM R	Right
17	885071	REAR PIVOT POST SUB-ASSM L	Left
18	349599	BEARING IGUS 7/8x1.0x1-1/2	
19	481108-QU	1/4-28 CHANNEL NUT-2 HOLE	
20	542029	REAR ARMREST MOUNT WLDMNT	
21	226109	1/4-28 X 3/8 F/H SOCKET C/S	
22	261204	#10 AN WASHER .063	
23A	102259-001	BHCS M5 X .8 X 12 BLK w/ PL INORG	USE W/ ITEMS 1 & 2
23B	230497	M5-.8 X 20 MM BH C/S	USE WITH ITEM 32
24	010065	M6 CHANNEL NUT	
25	506366	UNIVRSL ARMRST RCVR ASSM RH	
25	506367	UNIVRSL ARMRST RCVR ASSM LH	
26	340143	BUSHING .257IDx.25LG SST	
27	263100	5/16 AN WASHER FLAT	
28	230113	BHCS M6 X 1 X 12	
29	561186	ARM PAD PWR RCLN R	16.5" long
29	561187	ARM PAD PWR RCLN L	16.5" long
30	013422	ARMPAD WIDTH ADJ PLATE	
31	230497	M5-.8 X 20 MM BH C/S	
32	250104	WASHER M6	
33	103132	SHCS M6X1X10 FULL PL	
4,5,7-10,12-14,16,17	101553	RCLN ARMREST HDWR KIT	
3A-6A,7,11-19,24A	887750	TLT/RCLN ARMRST SHT STD R	Right
3A-6A,7,11-19,24A	887751	TLT/RCLN ARMRST SHT STD L	Left
3B-6A,7,11-19,24A	887752	TLT/RCLN ARMRST LNG STD R	Right
3B-6A,7,11-19,24A	887753	TLT/RCLN ARMRST LNG STD L	Left
3A-6B,7,11,19,24A	887770	TLT/RCLN ARMRST SHT TALL R	Right
3A-6B,7,11,19,24A	887771	TLT/RCLN ARMRST SHT TALL L	Left
3B-6A,7,11-19,24A	887772	TLT/RCLN ARMRST LNG TALL R	Right
3B-6A,7,11-19,24A	887773	TLT/RCLN ARMRST LNG TALL L	Left



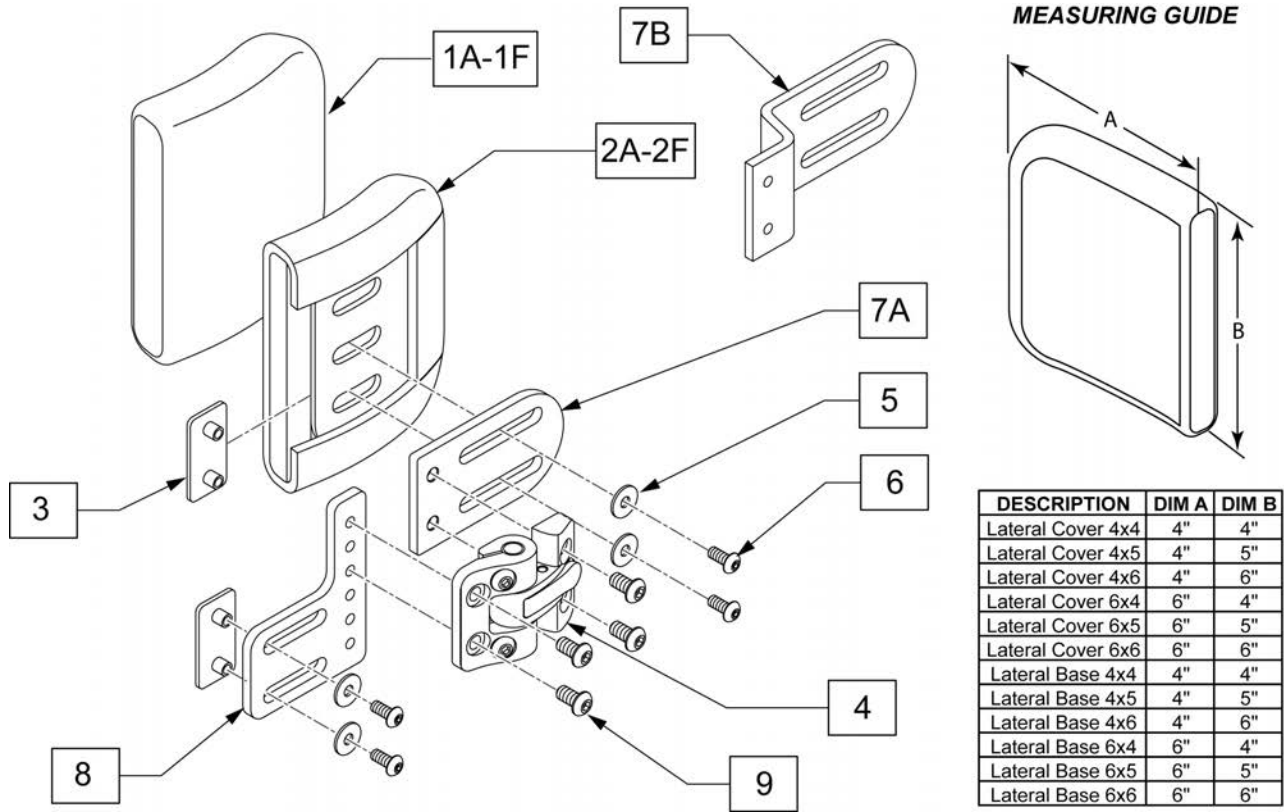
**MEASURING GUIDE**



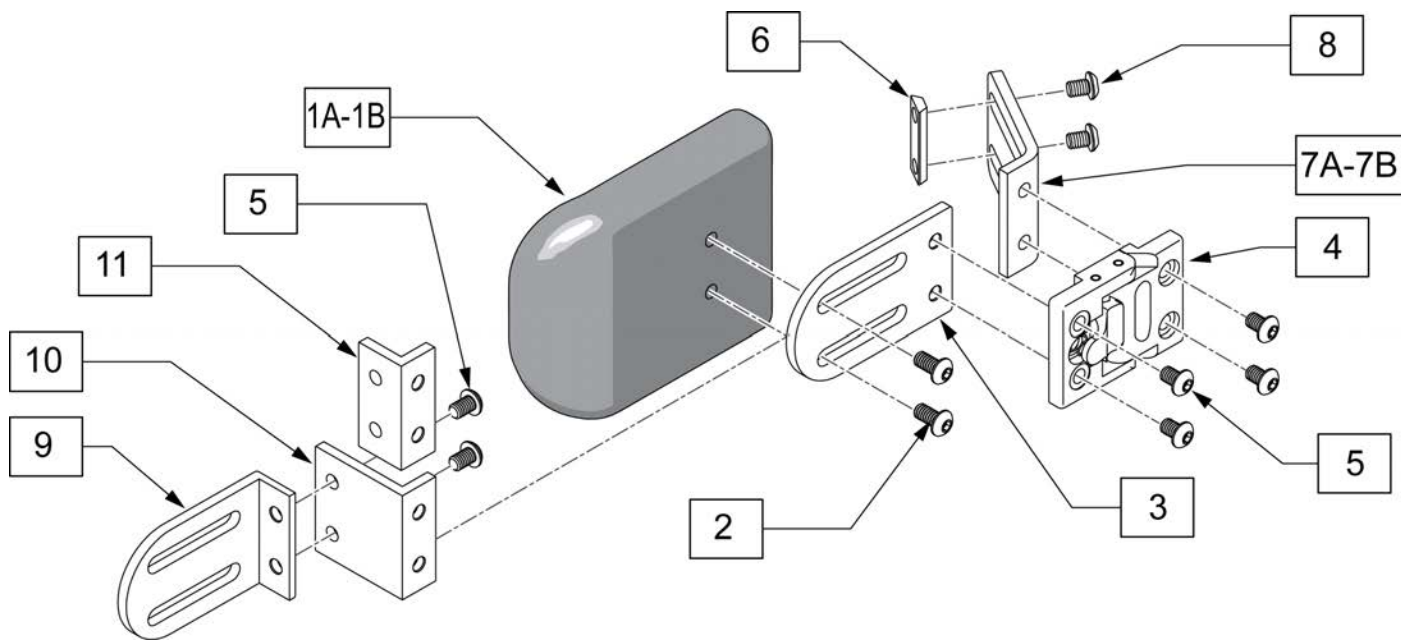
DESCRIPTION	DIM "A"
LARGE	3 1/2"
SMALL	2 3/4"

Pos.	Item Number	Description	Remarks
1	120539	OTTO BOCK CONE HAND PAD LRG LH	Left
1	120540	OTTO BOCK CONE HAND PAD LRG RH	Right
1	120541	OTTO BOCK CONE HAND PAD SML LH	Left
1	120542	OTTO BOCK CONE HAND PAD SML RH	Right
2	261204	#10 AN WASHER .063	
3	102259-001	BHCS M5 X .8 X 12 BLK w/ PL INORG	

Note: Effective with S/NQN710A, QM715A & QM720A.

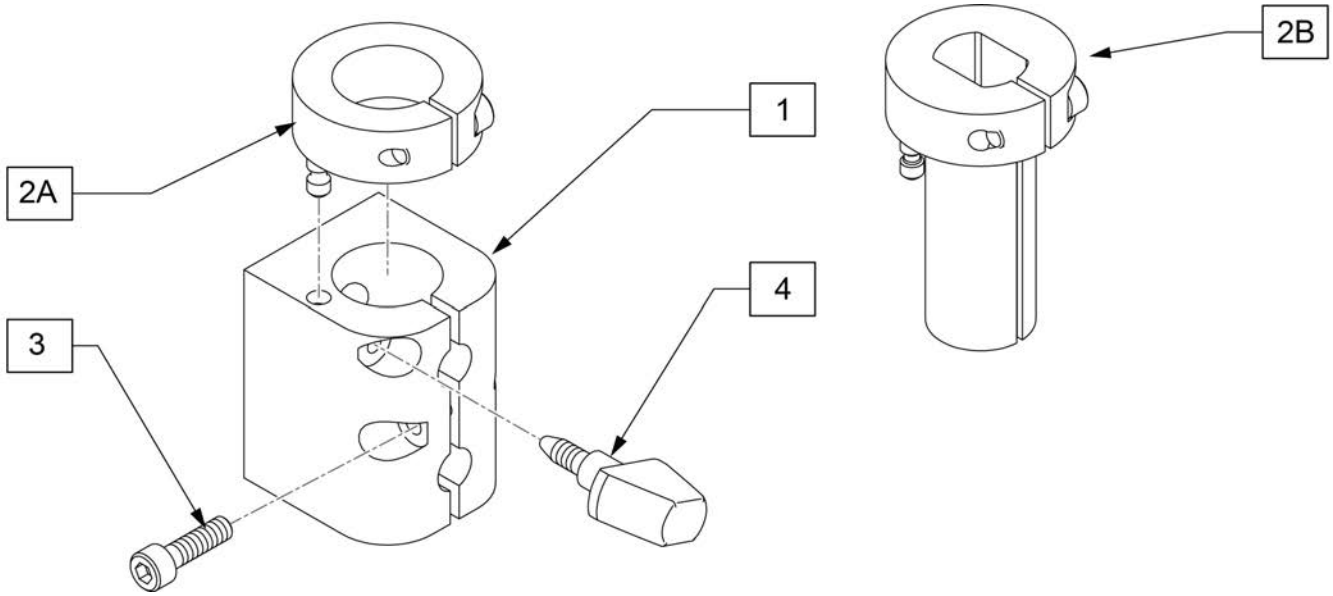


Pos.	Item Number	Description	Remarks
1A	CJ3LAT4x4P	Lateral Cover 4x4	
1B	CJ3LAT4x5P	Lateral Cover 4x5	
1C	CJ3LAT4x6P	Lateral Cover 4x6	
1D	CJ3LAT6x4P	Lateral Cover 6x4	
1E	CJ3LAT6x5P	Lateral Cover 6x5	
1F	CJ3LAT6x6P	Lateral Cover 6x6	
2A	BJ3LAT4x4P	Lateral Base 4x4	
2B	BJ3LAT4x5P	Lateral Base 4x5	
2C	BJ3LAT4x6P	Lateral Base 4x6	
2D	BJ3LAT6x4P	Lateral Base 6x4	
2E	BJ3LAT6x5P	Lateral Base 6x5	
2F	BJ3LAT6x6P	Lateral Base 6x6	
7B	PRT2630	1" OFF/ONE PC PAD MNT STD	
3-7A,8,9	118045	J3 LATERAL S-A BRACKET RH	
3-7A,8,9	118046	J3 LATERAL S-A BRACKET LH	
3,5,6,9	118047	J3 S/A-LAT HDW KIT	
1A,2A,3-6,7B,8	125473	LAT 4X4 S/A MNT W/1" OFFSET PR	Pair
1B,2B,3-6,7B,8	125474	LAT 4X5 S/A MNT W/1" OFFSET PR	
1C,2C,3-6,7B,8	125475	LAT 4X6 S/A MNT W/1" OFFSET PR	
1D,2D,3-6,7B,8	125476	LAT 6X4 S/A MNT W/1" OFFSET PR	
1E,2E,3-6,7B,8	125477	LAT 6X5 S/A MNT W/1" OFFSET PR	
1F,2F,3-6,7B,8	125478	LAT 6X6 S/A MNT W/1" OFFSET PR	

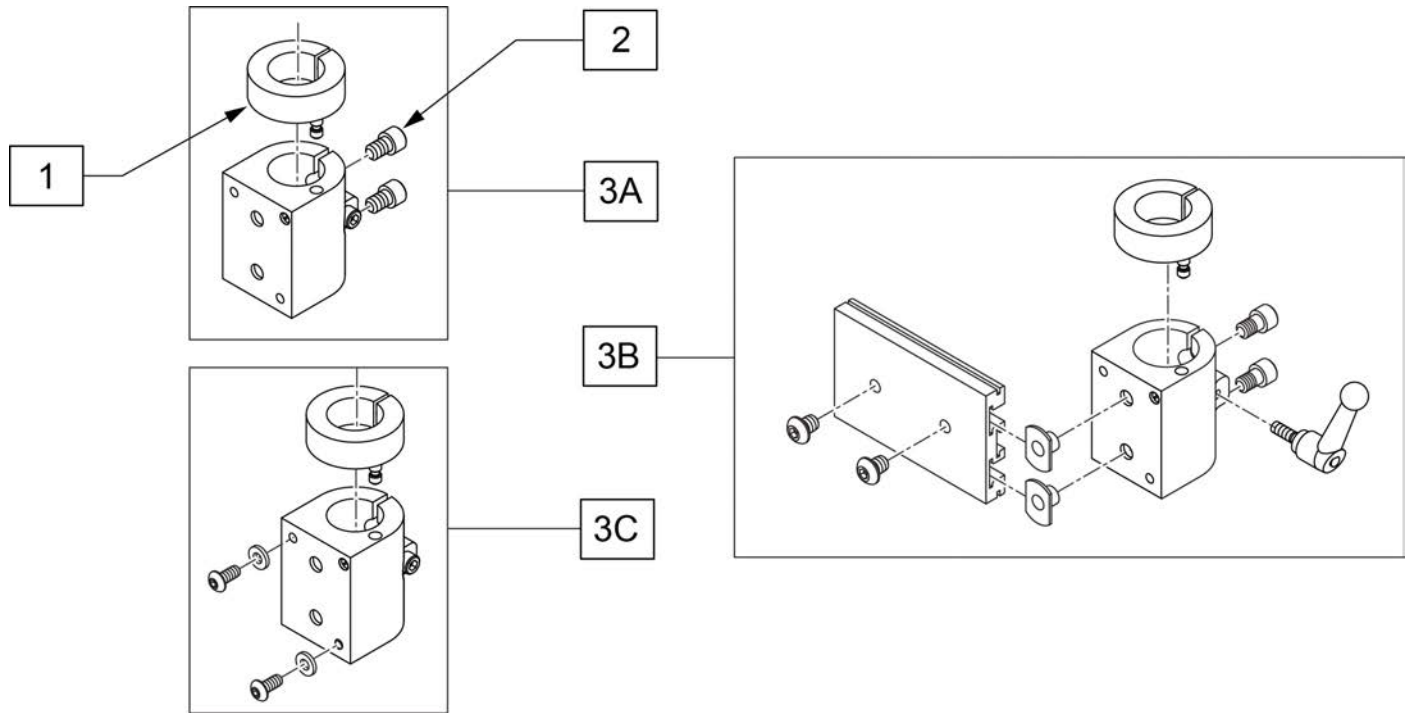


Pos.	Item Number	Description	Remarks
1A,2	107311	LATERAL PAD 4X5	
1B,2	107312	LATERAL PAD 4X6	
3-11	HDK2500	SA LATERAL HARDWARE KIT	
1A-7A.8-11	106925	4X5 LATERAL THORACIC KIT	
1B-7A.8-11	106926	4X6 LATERAL THORACIC KIT	
1A-7B.8-11	118840	4X5 LATERAL THORACIC KIT 120	Power Recline only
1B-7B.8-11	118841	4X6 LATERAL THORACIC KIT 120	Power Recline only

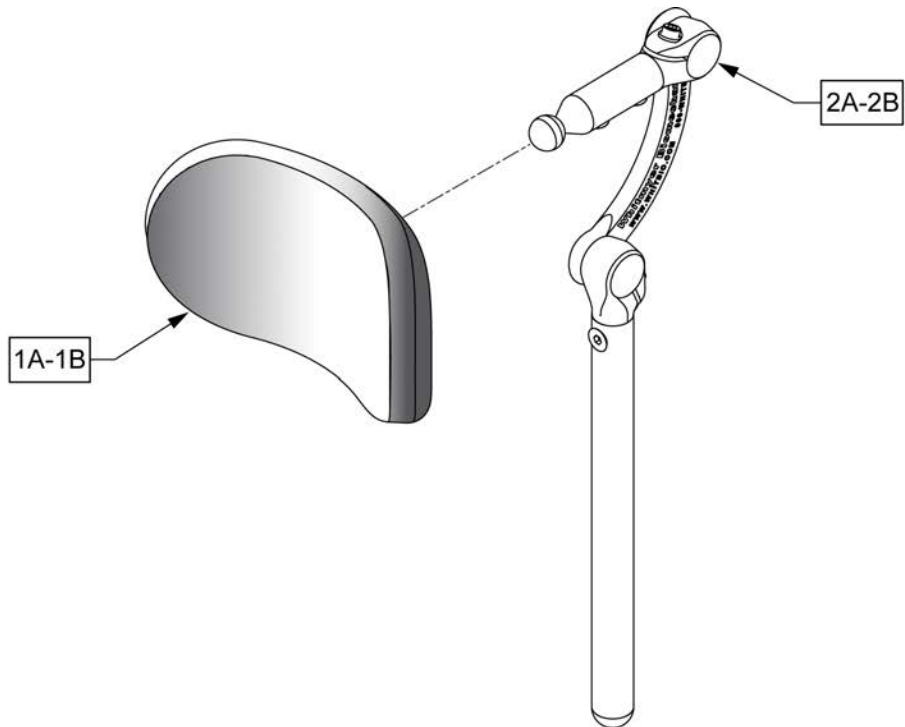




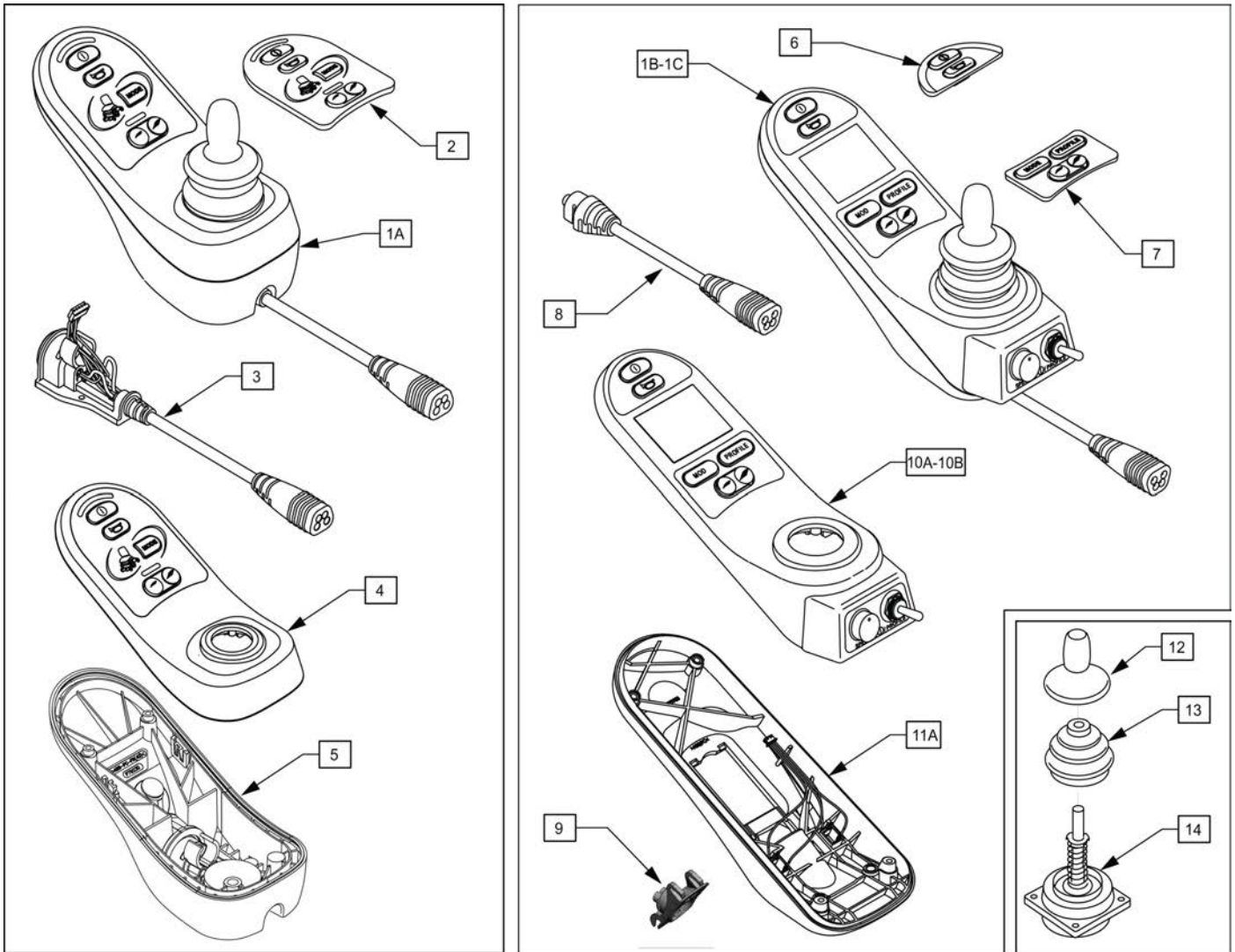
Pos.	Item Number	Description
1,2A-4	125437	HEADREST MOUNT
1,2B-4	125424	HEADREST MOUNT COBRA/AXYS



Pos.	Item Number	Description	Remarks
1	104533	HEADREST COLLAR .875 ID	
2	226074	1/4-20 X 1/2 SOC C/S	
3A	112257	HDRST CLMP	Used w/ Curved, JAY SPO, and ART SPO Backrest
3B	112716	HDRST CLAMP ASSY .875 ID W/HDW	Used w/ Trad Rehab Back Only
3C	112717	HDRST CLAMP ASSY .875 ID W/HDW	Used w/ Power Recline Only

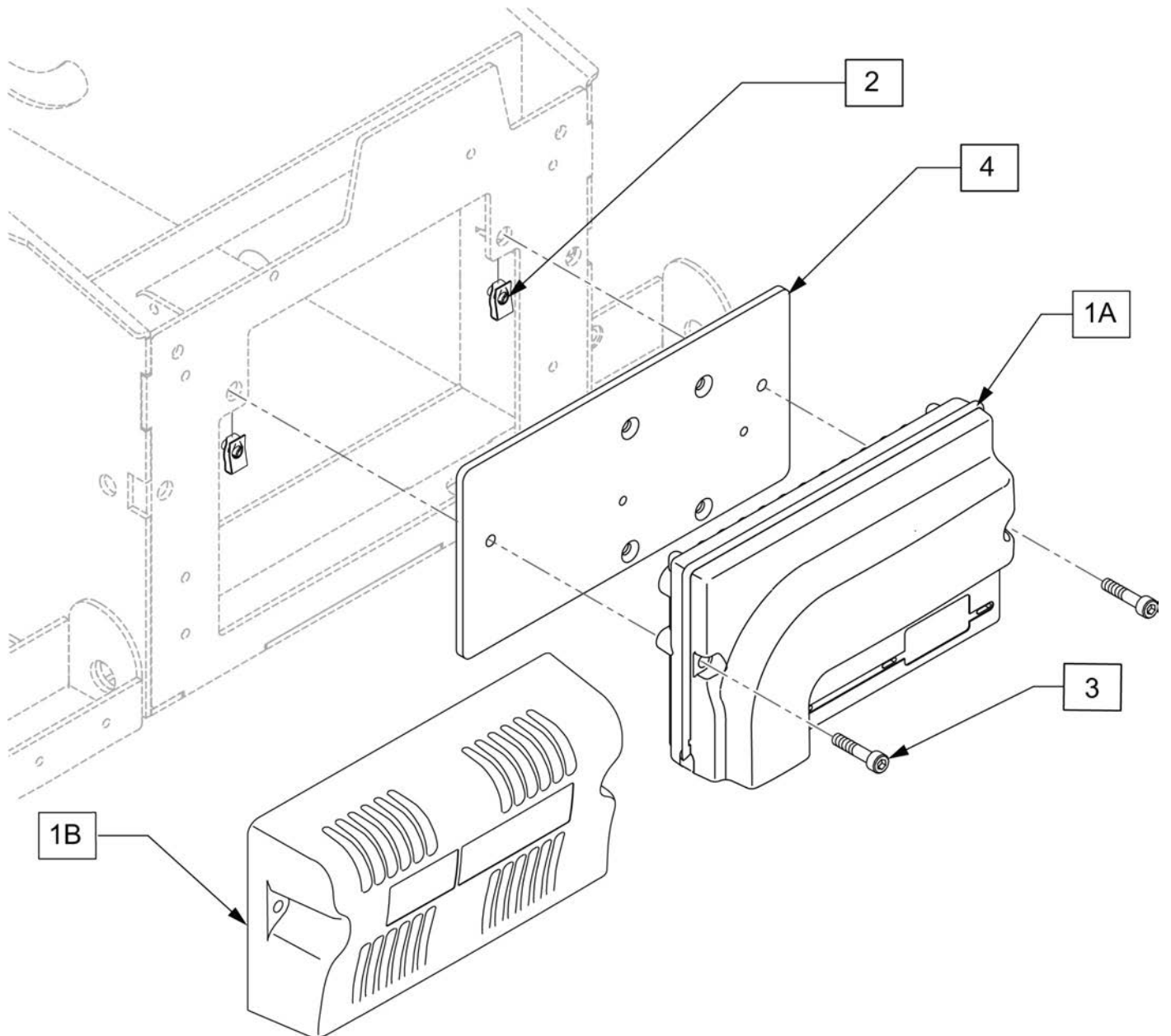


Pos.	Item Number	Description	Remarks
1A	P800L	PLUSH PAD, 8", LYCRA	8" wide 5" tall Headrest Pad
1B	P1000L	PLUSH PAD, 10", LYCRA	10" wide 5" tall Headrest Pad
2A	LX7000	LINX CORE MOUNT HDW	10" long Headrest Post
2B	LX8000	LINX CORE MNTG HDW 8"	8" long Headrest Post

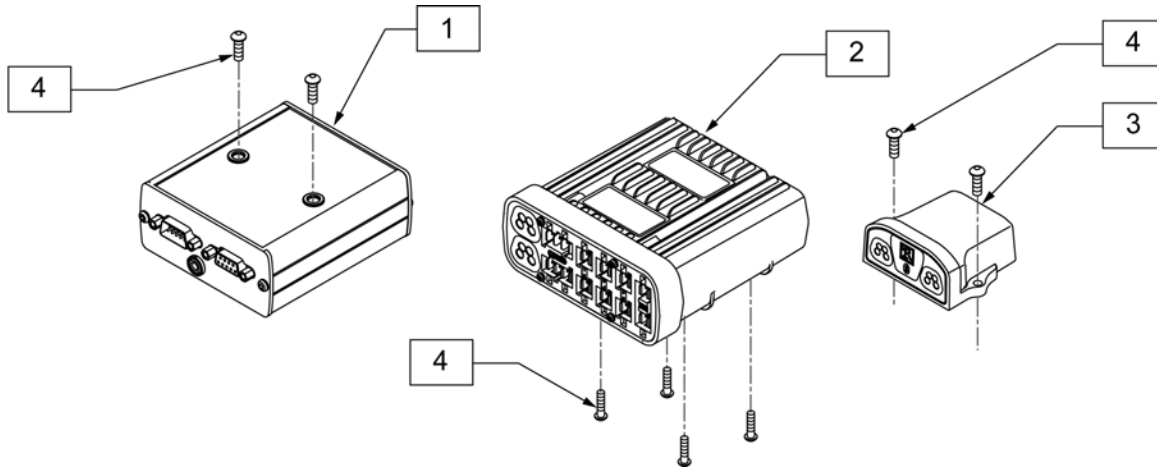


Pos.	Item Number	Description	Remarks
1A	108207	JYSTCK LED JSM	LED
1B	108210	JYSTCK CJSM PT TGL	Color Display
1C	116525	JYSTCK MONOCHROME	Monocrome
1D	108208	JYSTCK CJSM	
2	109749	KEYPAD RNET JSM LED	
3	109750	CABLE ASSM RNET JSM LED	
4	112414	CASE TOP LED ASSY	
5	112413	CASE BASE LED ASSY	
6	109751	KEYPAD RNET JSM FRONT	
7	109752	KEYPAD RNET JSM REAR	
8	109846	CABLE ASSY	
9	109845	CHARGER SOCKET ASSY	
10A	112357	CASE CJSM TOP ASSY	Color Display
10B	117991	RNET JSM TOP ASSY MONO	Monocrome
11	112356	CASE CJSM BOTTOM ASSY	
12	138169	JOYSTICK KNOB	
13	105930	JOYSTICK BOOT	
14	105936	JOYSTICK	

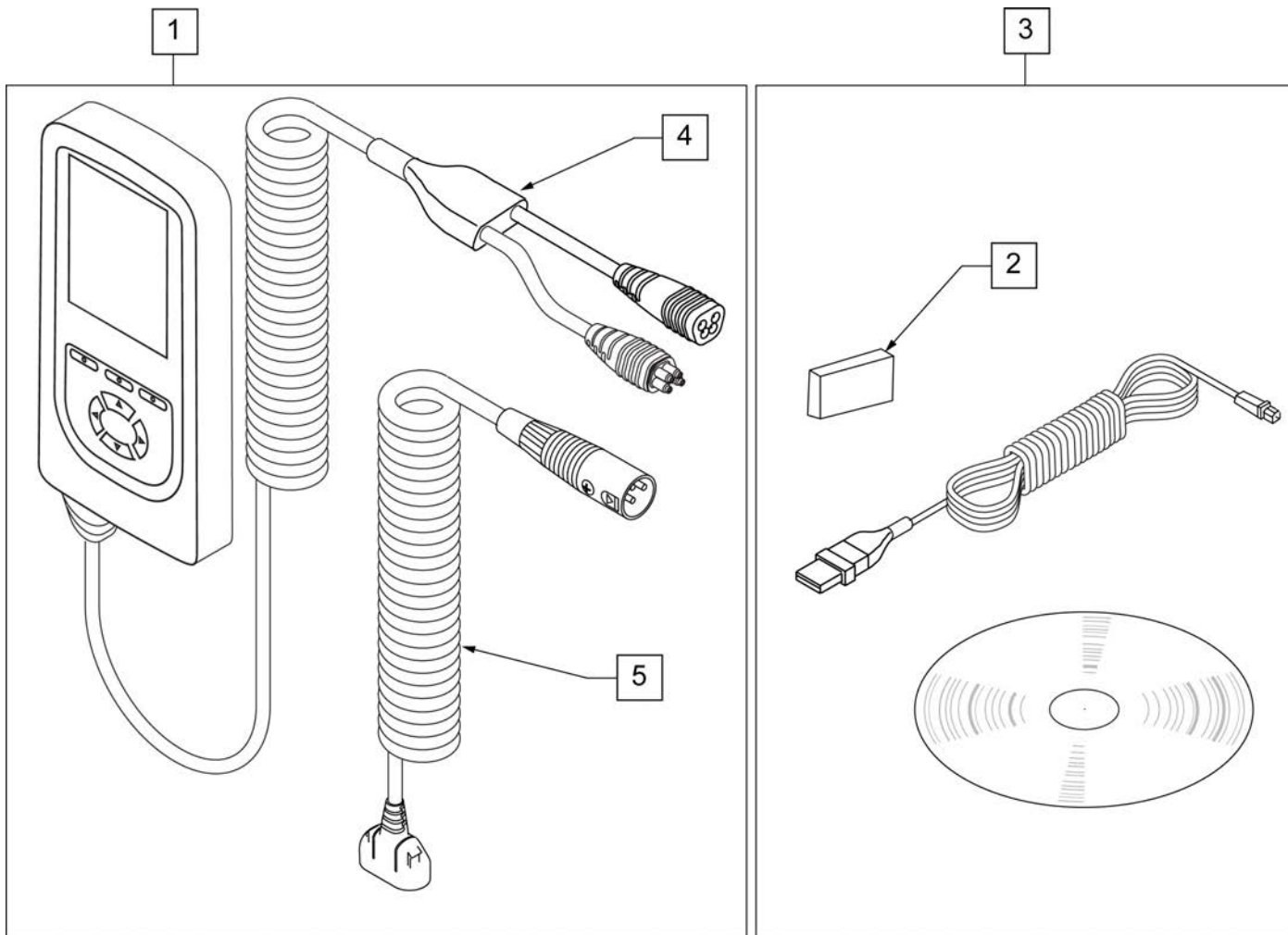
**NOTE:** JOYSTICK POST (ITEM 15) ACCEPTS JOYSTICK KNOBS THAT HAVE A 1/4" DIAMETER MATING HOLE.



Pos.	Item Number	Description
1A	108219	CNTRLR EL PM90
1B	123966	CNTRL PM120
2	118091	EXTRUDED U NUT M5X0.8
3	103189-010	SHCS M5X0.8X40 PARTNP
4	116221	PLATE CONTROLLER
2-4	119881	CNTRLLR WITH MOUNTING PLATE



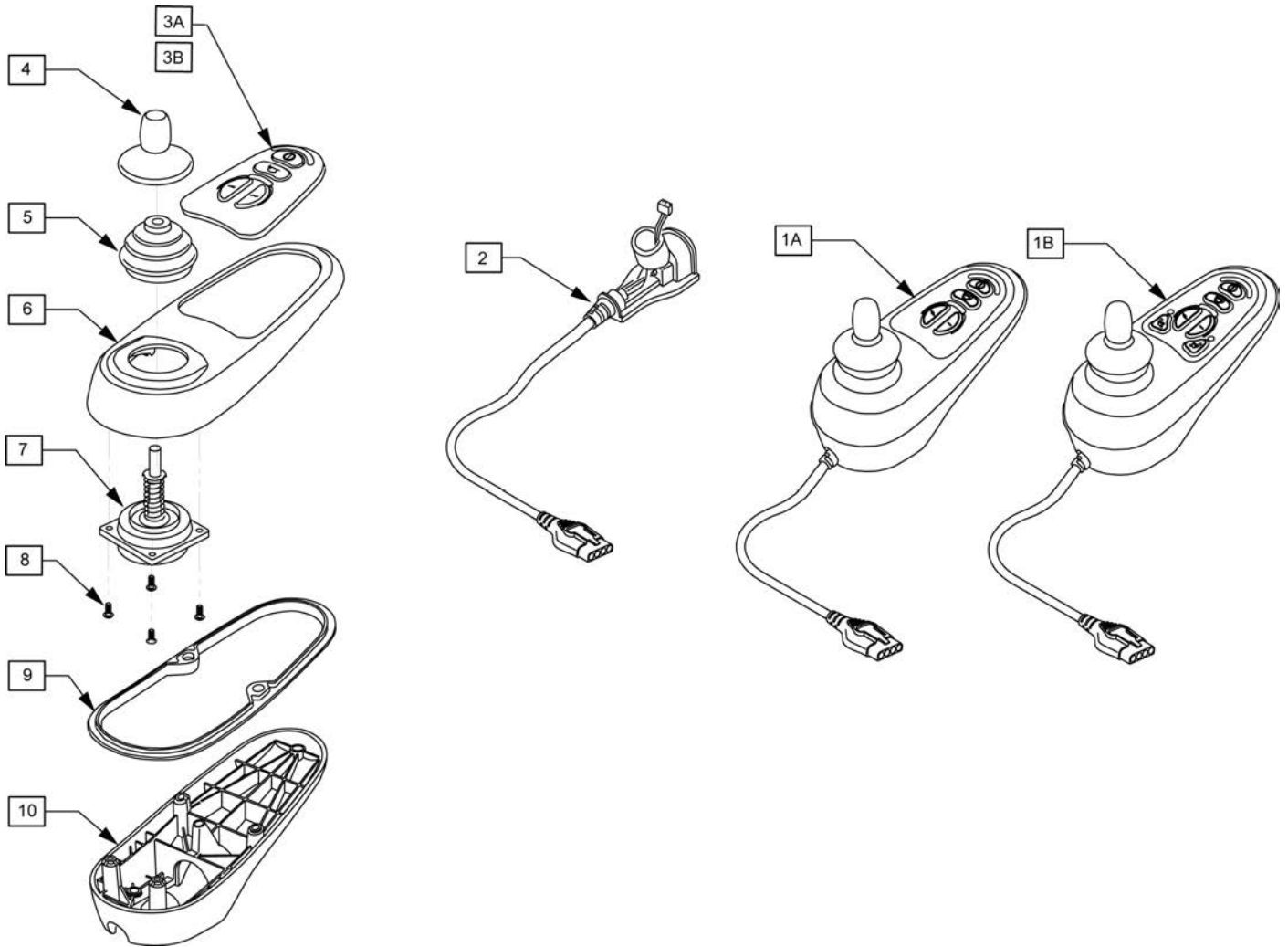
Pos.	Item Number	Description
1	108217B	MDLE OUTPUT IND BOX
2	122194	MODULE INTEL ST W/O LIGHTS
3	108218	MDLE BLUETOOTH IND BOX
4	103184-003	BHCS M5X0.8X10 FULLPL



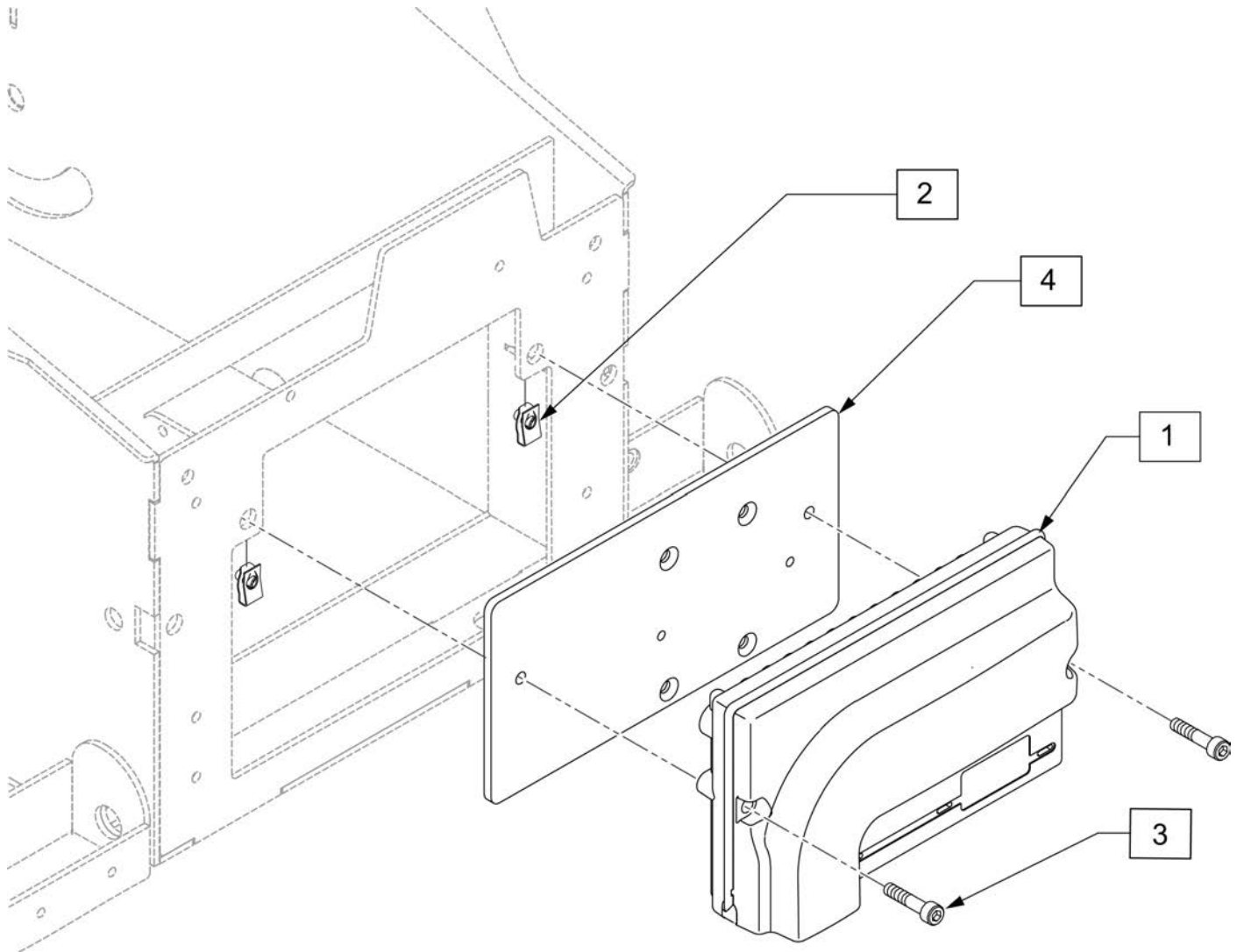
Pos.	Item Number	Description	Remarks
1	115207	DIAGNOSTIC TEST TOOL R-NET/VR2	
2	108531	DONGLE R-NET PROGRAMING DEALER	
3	108532	PC PROGRAMMER SOFTWARE	PC not included
4	111423	CABLE DTT RNET	
5	115211	HARNESS DIAG TEST TOOL NEUTRIK	



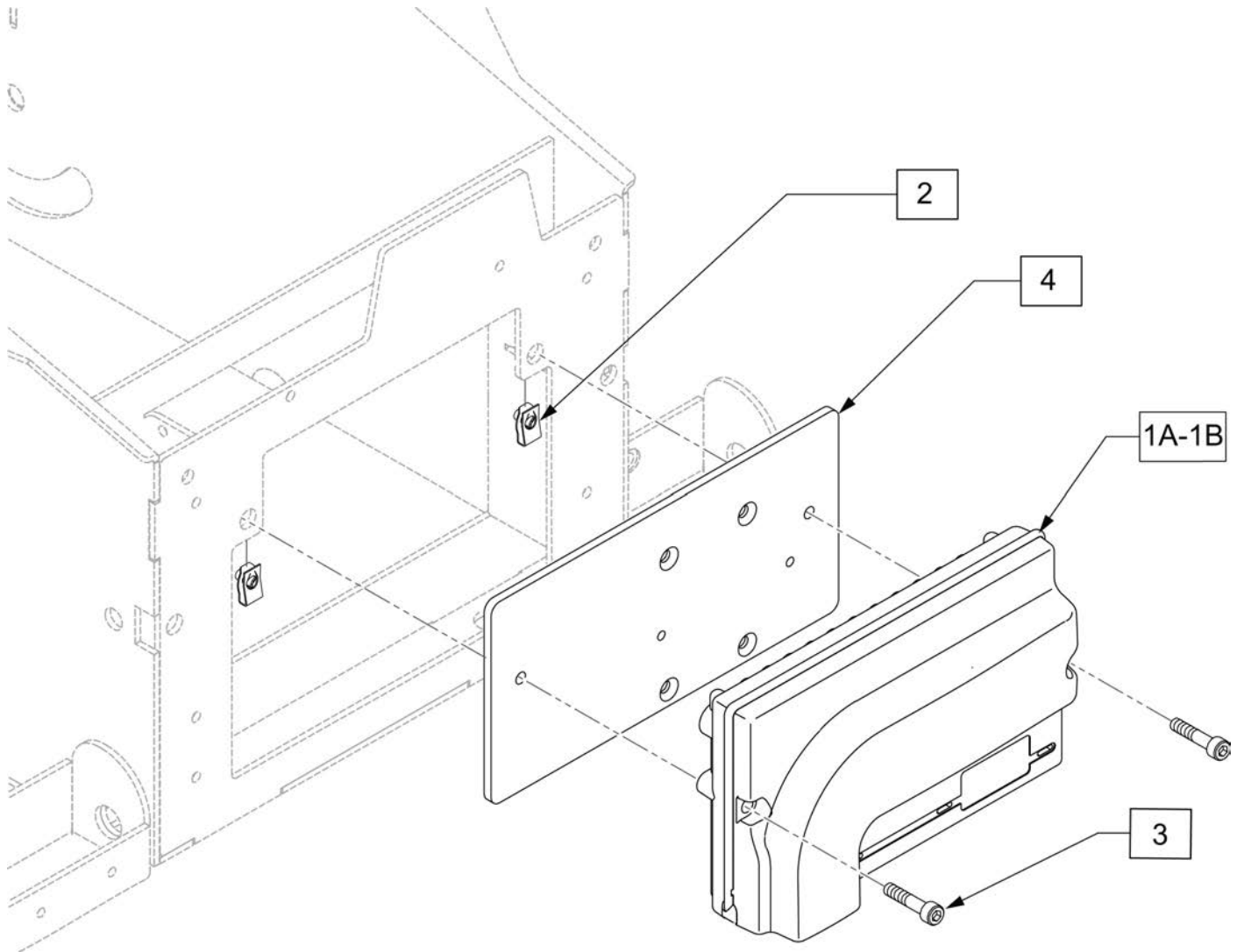
**NOTE:** JOYSTICK POST (ITEM 7) ACCEPTS JOYSTICK KNOBS THAT HAVE A 1/4" DIAMETER MATING HOLE.



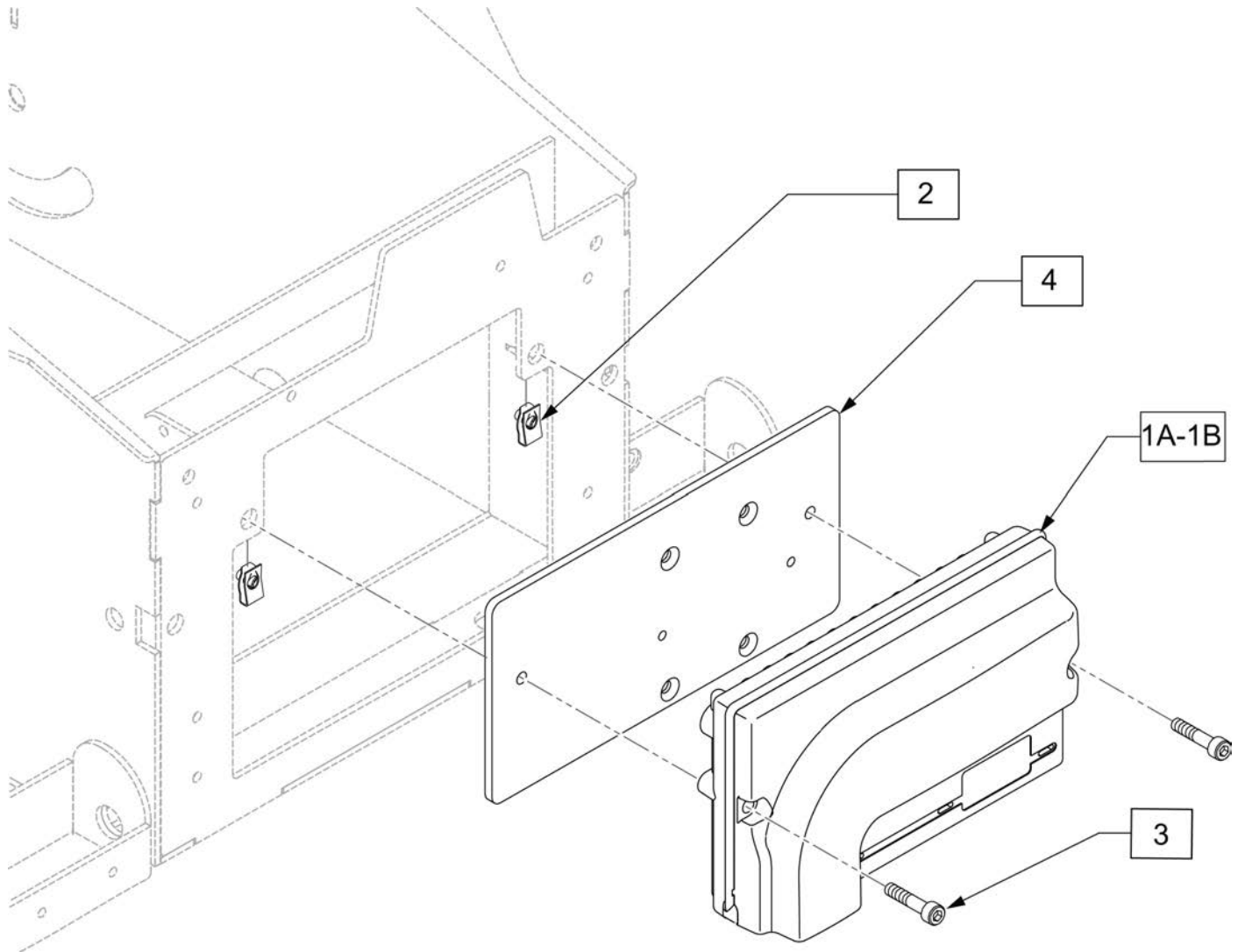
Pos.	Item Number	Description	Remarks
1A	105375	VR2 JOYSTICK 4 BUTTON	STD Joystick (Used when Dual Toggle is picked)
1B	105376	VR2 JOYSTICK 6 BUTTON	Thru Drive Joystick
2	105937	JOYSTICK CABLE	
3A	105938	KEYPAD 4 KEY	
3B	105939	KEYPAD 6 KEY	
4	138169	VSI JOYSTICK HANDLE	
5	105930	JOYSTICK GAITER	
6	105945	MOLDED TOP	
7	105936	JOYSTICK	
8	105947	SHCS M3X14 TORX	
9	105946	RUBBER SEAL JOYSTICK	
10	105940	MOLDED BOTTOM	



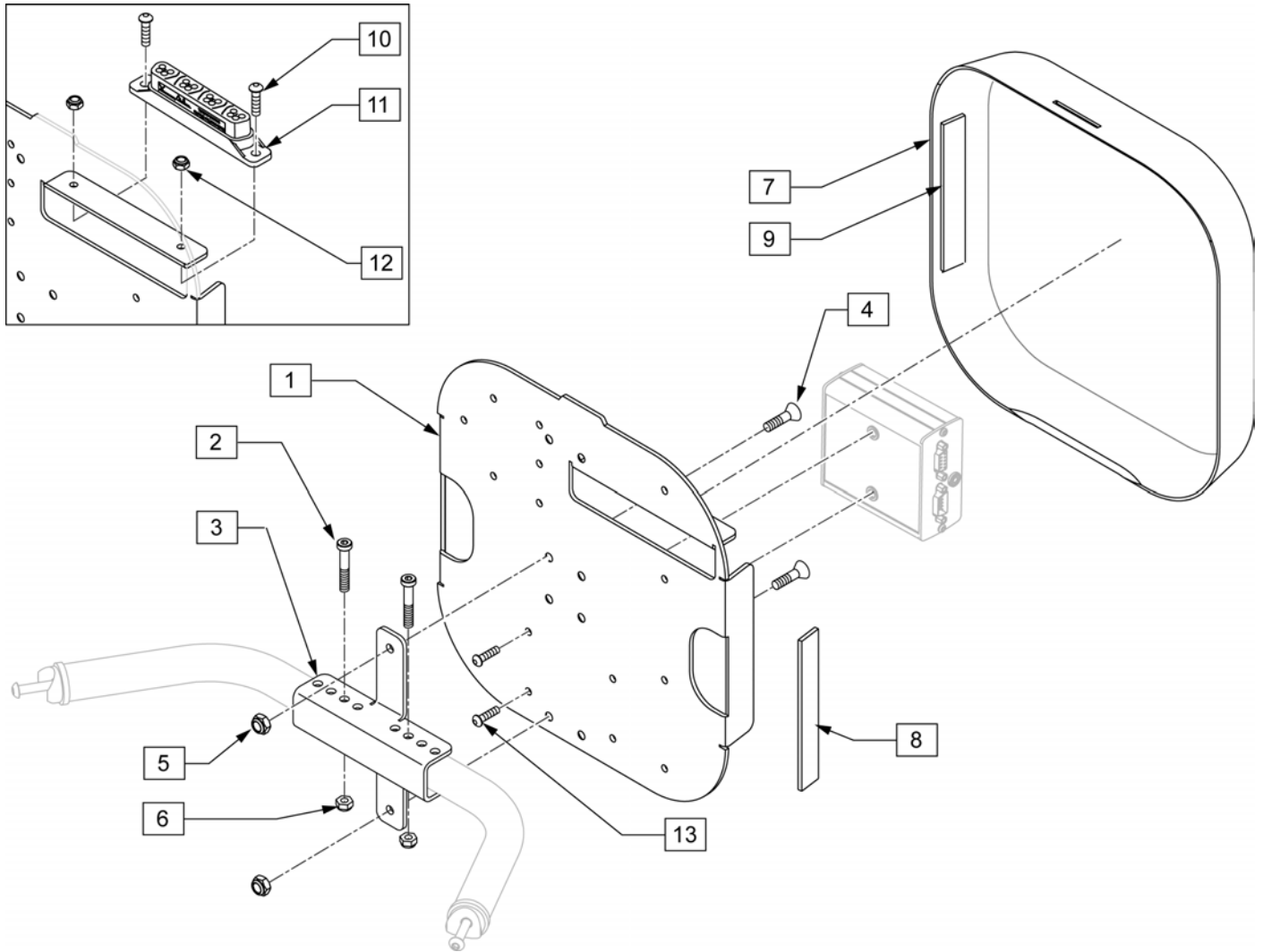
Pos.	Item Number	Description	Remarks
1A	114099	CNTRL VR2 R2 STANDARD	No power seating or toggle switch controlled power seating
1B	114100	CNTRL VR2 R2 DRIVE-THRU TILT	Tilt
1C	118205	CNTRL VR2 R2 DRIVE-THRU LIFT	Lift
2	118091	EXTRUDED U NUT M5X0.8	
3	103189-010	SHCS M5X0.8X40 PARTNP	
4	116221	CNTRLLR MOUNTING PLATE	
2-4	119881	CNTRLLR MNT PLATE W/HDWR	



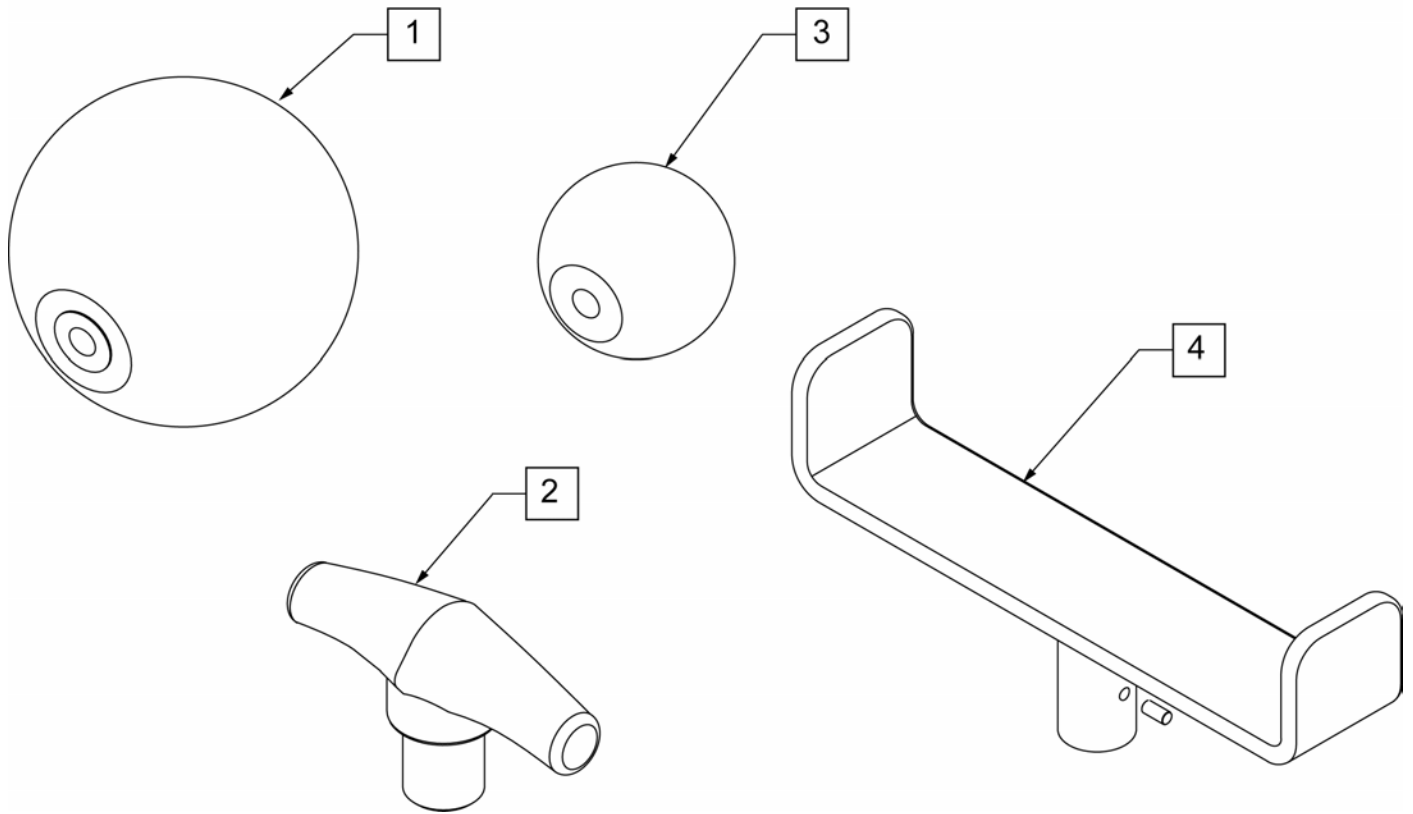
Pos.	Item Number	Description
1A	120684	QM715 STD VR2 CONT HD
1B	120685	QM715 DRV THRU VR2 W/HD TILT
2	118091	EXTRUDED U NUT M5X0.8
3	103189-010	SHCS M5X0.8X40 PARTNP
4	116221	PLATE CONTROLLER



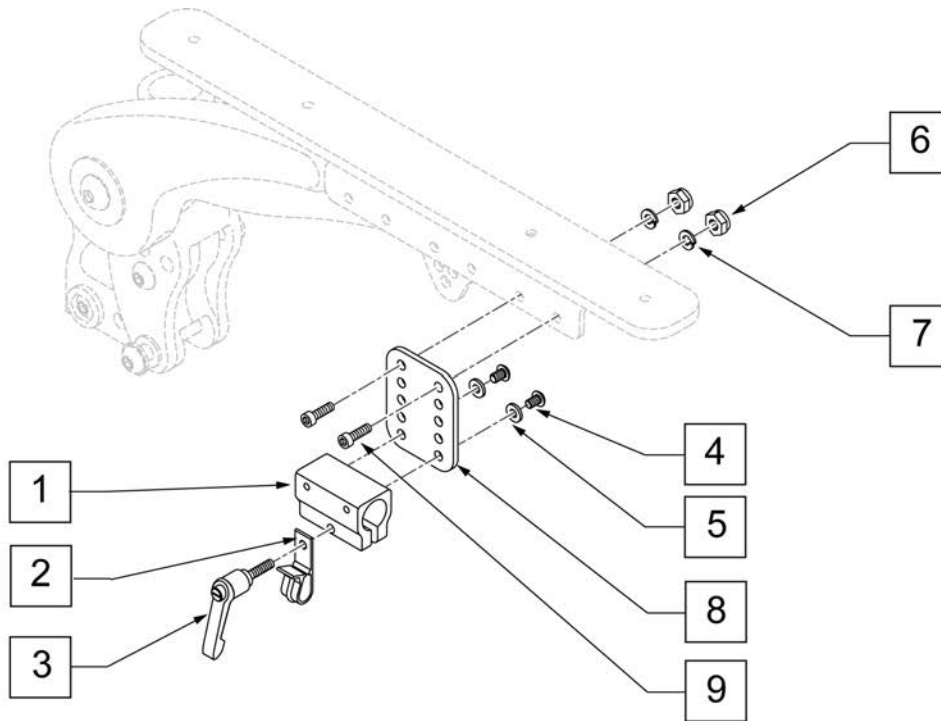
Pos.	Item Number	Description
1A	120686	QM720 STD VR2 CNT HS
1B	120687	QM7XX DRV THRU VR2 W/TILT HS
2	118091	EXTRUDED U NUT M5X0.8
3	103189-010	SHCS M5X0.8X40 PARTNP
4	116221	PLATE CONTROLLER



Pos.	Item Number	Description	Remarks
2	119127	SHCS LOW HD M6X1X45 PART NP	
3	118608	OUTPUT MODULE MOUNT	
4	102265-002	FHCS M6 X 1 X 20 INORGANIC	
5	200113	NUT HEX NYLOCK M6 X 1	
6	200113	NUT HEX NYLOCK M6 X 1 NUT	
8	012080-002	HOOK BLK VLCRO PS 1" x 5"	Qty 2 Required
9	011803-002	1 X 5 LOOP BLACK PSA117	Qty 2 Required
10	104522	SHCS M6X1X16 FULL PL	
11	108312	DISTRIBUTION BLOCK	Rnet only
12	210084	NUT HEX NYLOCK M6 BLACK	
13	103184-003	BHCS M5X0.8X10 FULLPL	Used to mount Output Module to Plate
1,8	110837	PLATE REHAB W/ VELCRO	
7,9	110836	SHROUD REHAB W/ VELCRO	
10-12	110835	DIST BLOCK MNT KIT	



Pos.	Item Number	Description
1	138165	J/S KNOB BALL HANDLE (SOFT)
2	138167	J/S KNOB T-BAR
3	138166	J/S KNOB BALL HANDLE (SOLID)
4	013113	GOALPOST JOYSTICK EXT



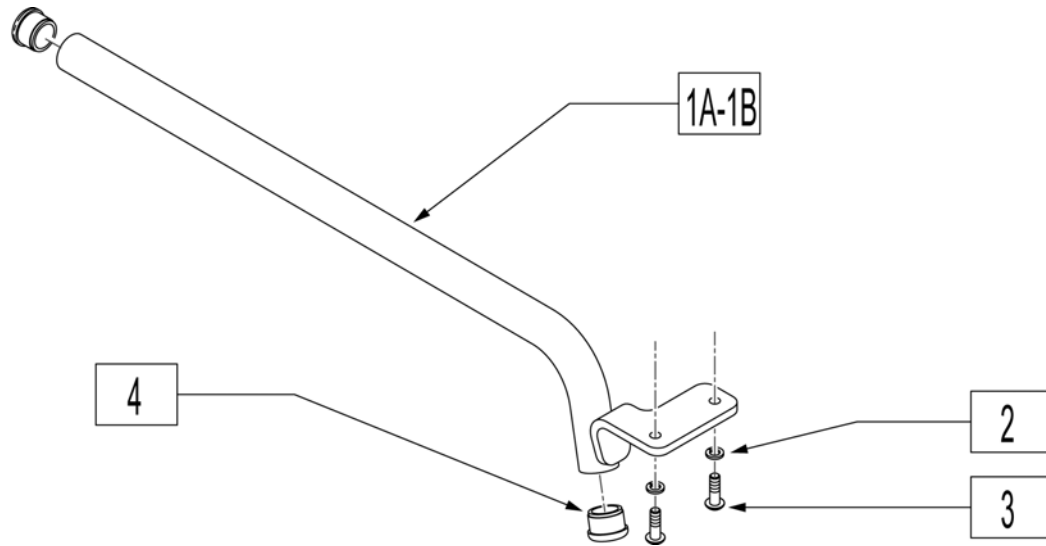
Pos.	Item Number	Description
1-5	108866	CNTRLR CLMP ARM KIT RND
3	011049	HANDLE ADJ MODERN M5 X 20 STUD
4	103184-002	BHCS M5X0.8X8 FULL PL
5	261204	#10 AN WASHER .063
6	220121	NUT HEX NYLOCK M5 BLACK
7	107357	WASHER SPLIT LOCK M5 ROHS
8	116571	Available in assembly only
9	103189-004	SHCS M5X0.8X12 FULLNP
1-9	116572	VERTICAL ADJUSTMENT ASSM

Note: Available on chairs after S/N PLS-101550 and all PLS6A and PLS6B.

Note: Available on chairs after S/N PLS-101550 and all PLS6A and PLS6B.

Note: Available on chairs prior to S/N RTMA-106838

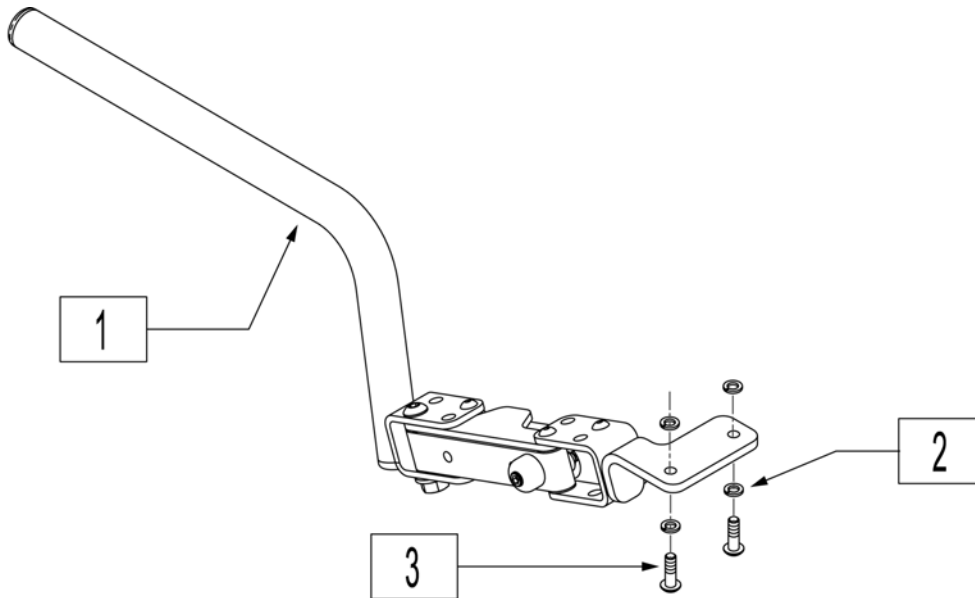
Note: Joystick arms shown fit Vr2 & Rnet Joysticks.



Pos.	Item Number	Description	Remarks
1A-4	120601	JOYSTK ARM FIX R STD	Right-used with non-Captains seat
1A-4	120602	JOYSTK ARM FIX L STD	Left-used with non-Captains seat
1B-4	120603	JOYSTK ARM FIX R SHT	Right-used with Captains seat only
1B-4	120604	JOYSTK ARM FIX L SHT	Left-used with Captains seat only
2	261524	#10 WASHER LOCK SS	
3	226024-QU	10-32 x 7/8 BH C/S BLK	
4	560761	3/4" INSERT PLUG .049 (18GA)	

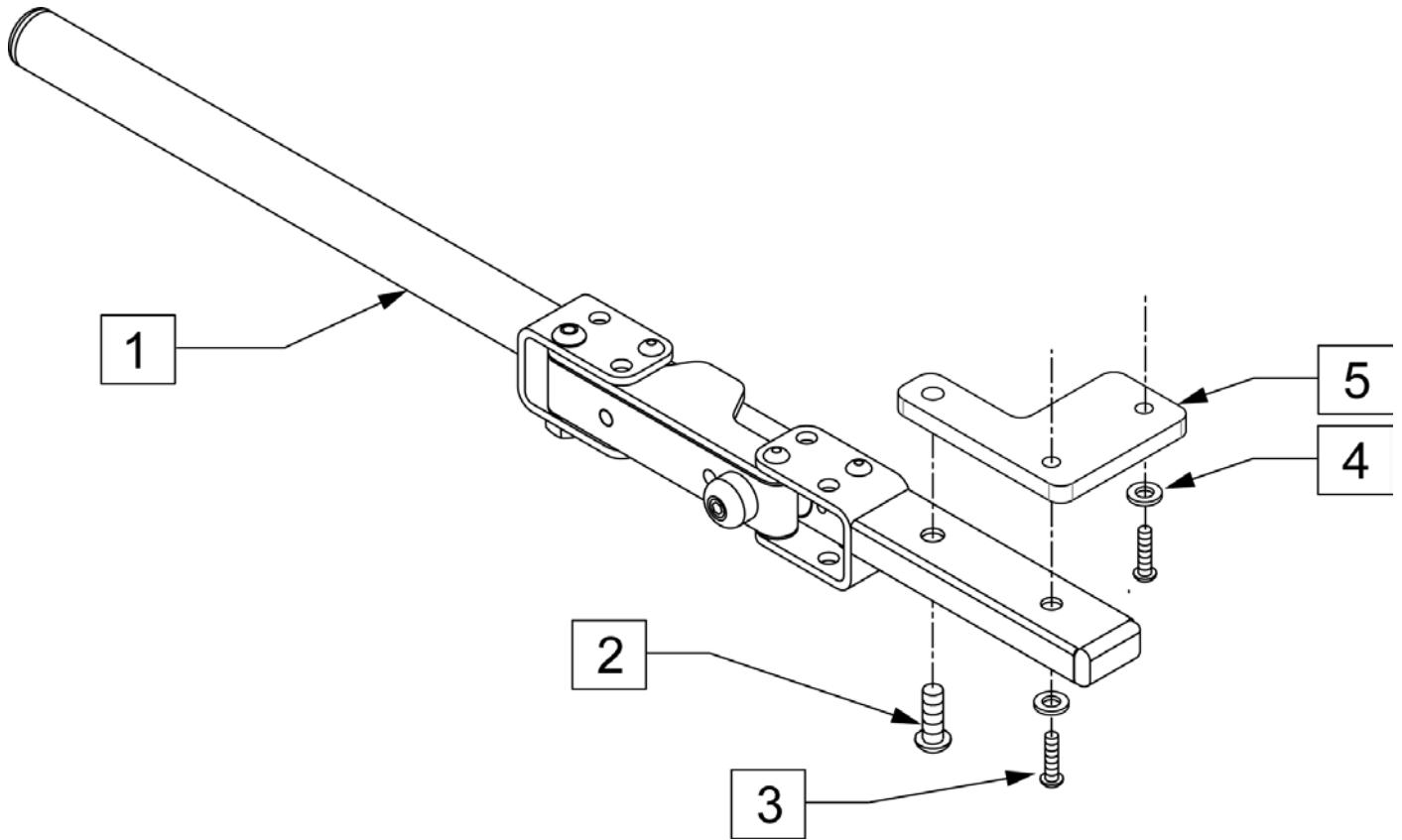


Note: Joystick arms shown fit Vr2 & Rnet Joysticks.



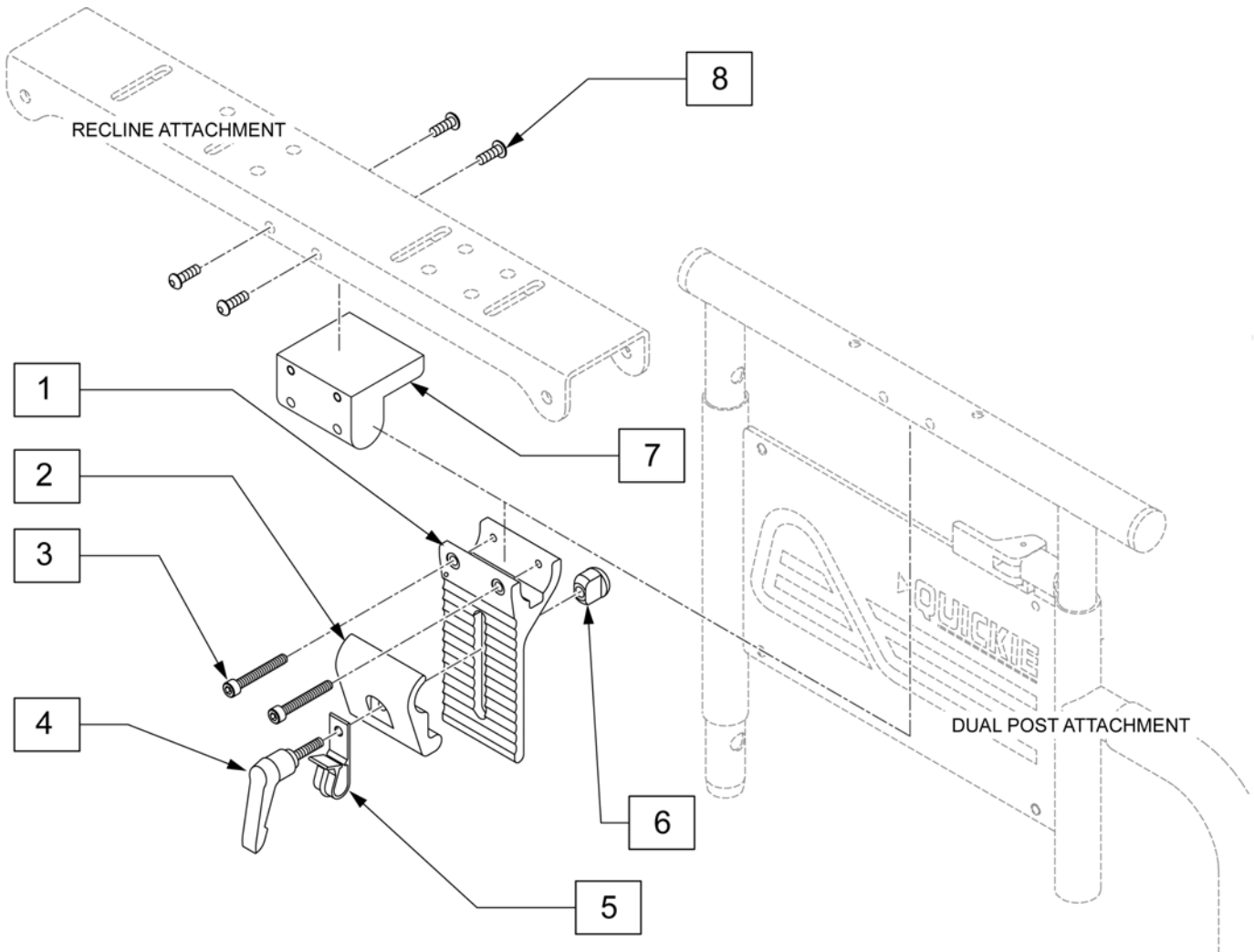
Pos.	Item Number	Description	Remarks
1A-3	120595	JOYSTK ARM S/A R STD	Right-Dual Post & Single Post Armterst
1A-3	120596	JOYSTK ARM S/A L STD	Left-Dual Post & Single Post Armterst
1B-3	120597	JOYSTK ARM S/A R INV	Right-used with Cantilever Armrest
1B-3	120598	JOYSTK ARM S/A L INV	Left-used with Cantilever Armrest
1C-3	120599	JOYSTK ARM S/A R SHT	Right-used with Captains Seat
1C-3	120600	JOYSTK ARM S/A L SHT	Left-used with Captains Seat
2	261524	#10 WASHER LOCK SS	
3	226024-QU	10-32 x 7/8 BH C/S BLK	

Note: Joystick arms shown fit Vr2 & Rnet Joysticks.

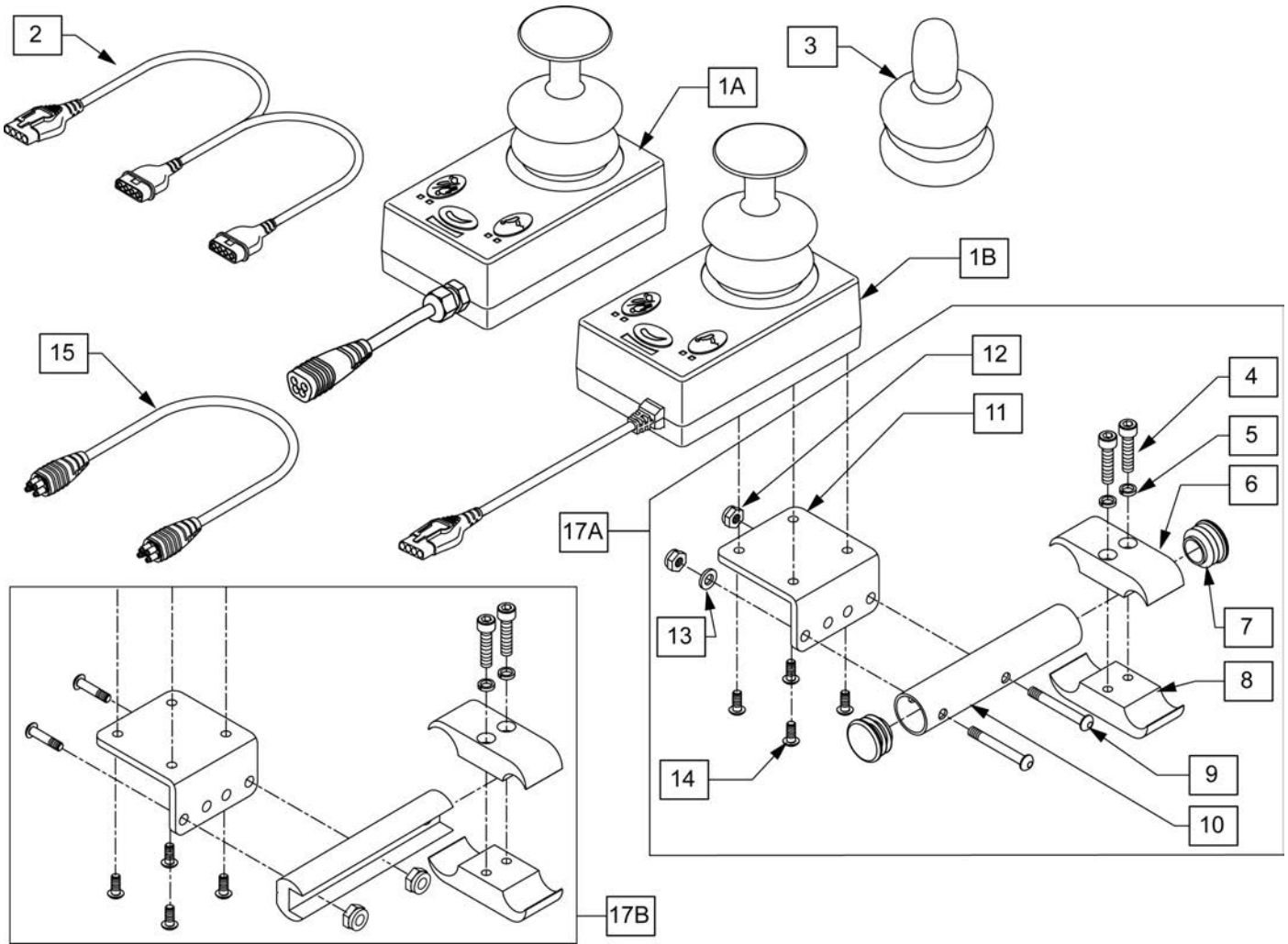


Pos.	Item Number	Description
1-5	120593	RMT S/A R W/ARM MAG
1-5	120594	RMT S/A L W/ARM MAG
2	221090	1/4-28 X 3/8 BH C/S BLK
3	102259-002	BHCS M5 X .8 X 20 W/PL INORG
4	455031-QU	10 AN WASHER .032 SS
5	115329	BRACKET RNET JOYSTICK

Note: Available on Rhythm Chairs after S/N RTMA-106838.



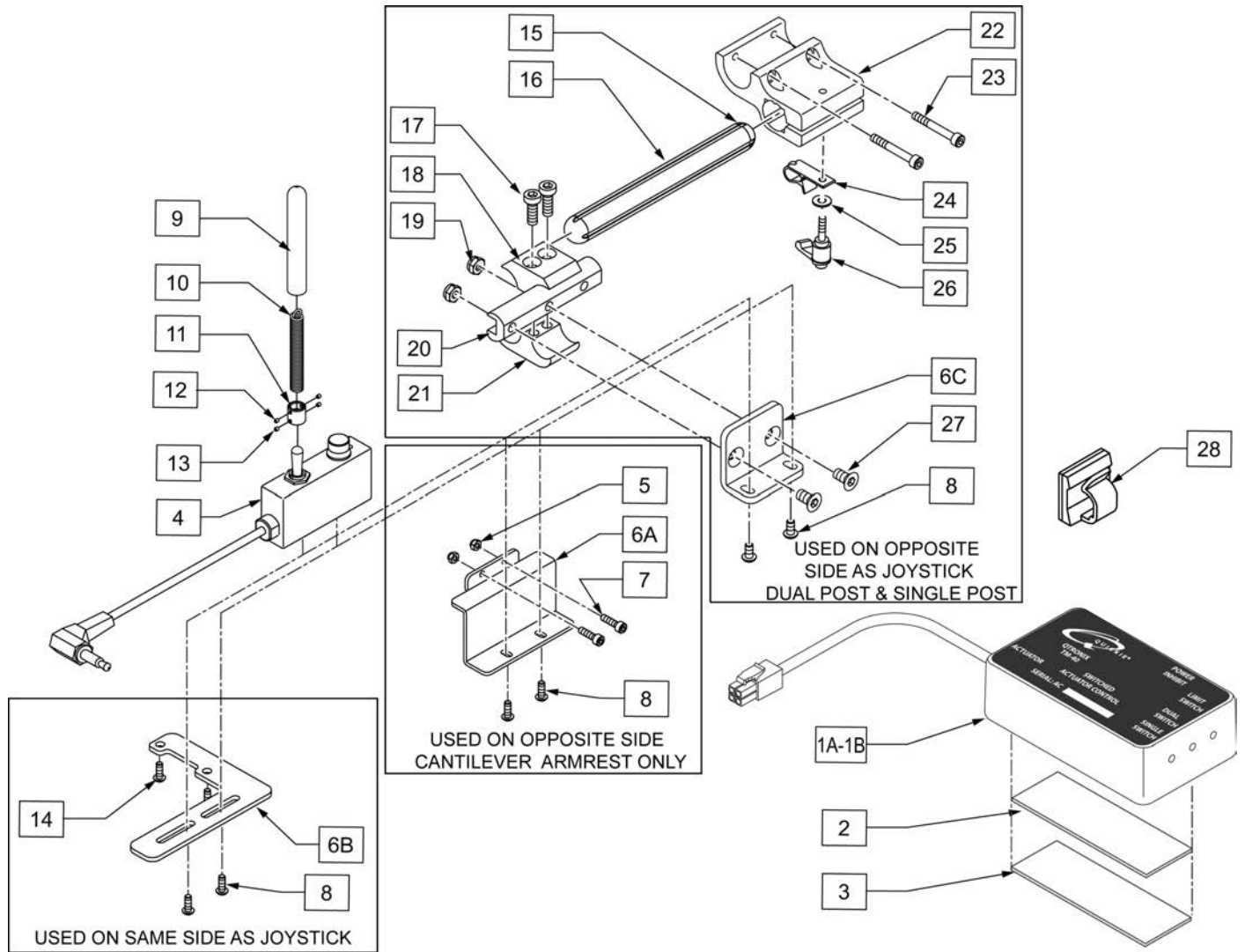
Pos.	Item Number	Description	Remarks
1	505766	ADJUSTABLE CLAMP OUTER	
2	505767	ADJUSTABLE REMOTE MOUNT	
4	349024	HNDL 10-32 X 3/4 C/A P1/P3/P5	
5	560268	QUICK RELEASE CLIP	
1-6	920738	HT ADJ MOUNT ASSM STD	
7	551001	CONTROLLER MOUNT BLOCK	Used w/ reclining armrest only
8	222297	10-24 X 3/8 SOC BH C/S W/PTCH	Used w/ reclining armrest only



Pos.	Item Number	Description	Remarks
2	102359	HARNESS VR2 BUS SPLITTER	Used w/ VR2 Electronics Only
3	138169	VSI JOYSTICK HANDLE	
4	107032	1/4-28 X 1 SOC C/S BLK	
5	262114	1/4 WASHER HI COLLAR LOCK ZN	
6	550477	CLAMP 2 1/4" RECESS BLK	
7	561062	1" INSERT PLUG .065 RIBS	
8	550576	CLAMP 2 1/4" THREADED BLK	
9	102262-006	BHCS M6 X 1 X 40 INORGANIC	
10	102660	ATTND CNTRL MNT TB	
11	505533	ATTENDANT CTRL MOUNT BRACKET	
12	210084	NUT HEX NYLOCK M6 BLACK	
13	250104	WASHER FLAT M6	
14	013143	BHCS M5 X .8 X 14 BLK W/PL	
15	108316-050	HARNESS R-NET BUS 500MM	Used w/ Rnet Electronics Only
17A	102661	ATTND CNTRL MNT	Used w/ ASAP Seating only
17B	108281	ATTND CNTRL MNT	Used w/ ASAP2, Trad Rehab & Power Recline Seating Only
1A,3,15	110845	RNET ATTENDANT JOYSTICK	Used w/ Rnet Electronics Only
1B,2,3	102175	VR2 ATTENDANT JOYSTICK W/CABL	Used w/ VR2 Electronics Only

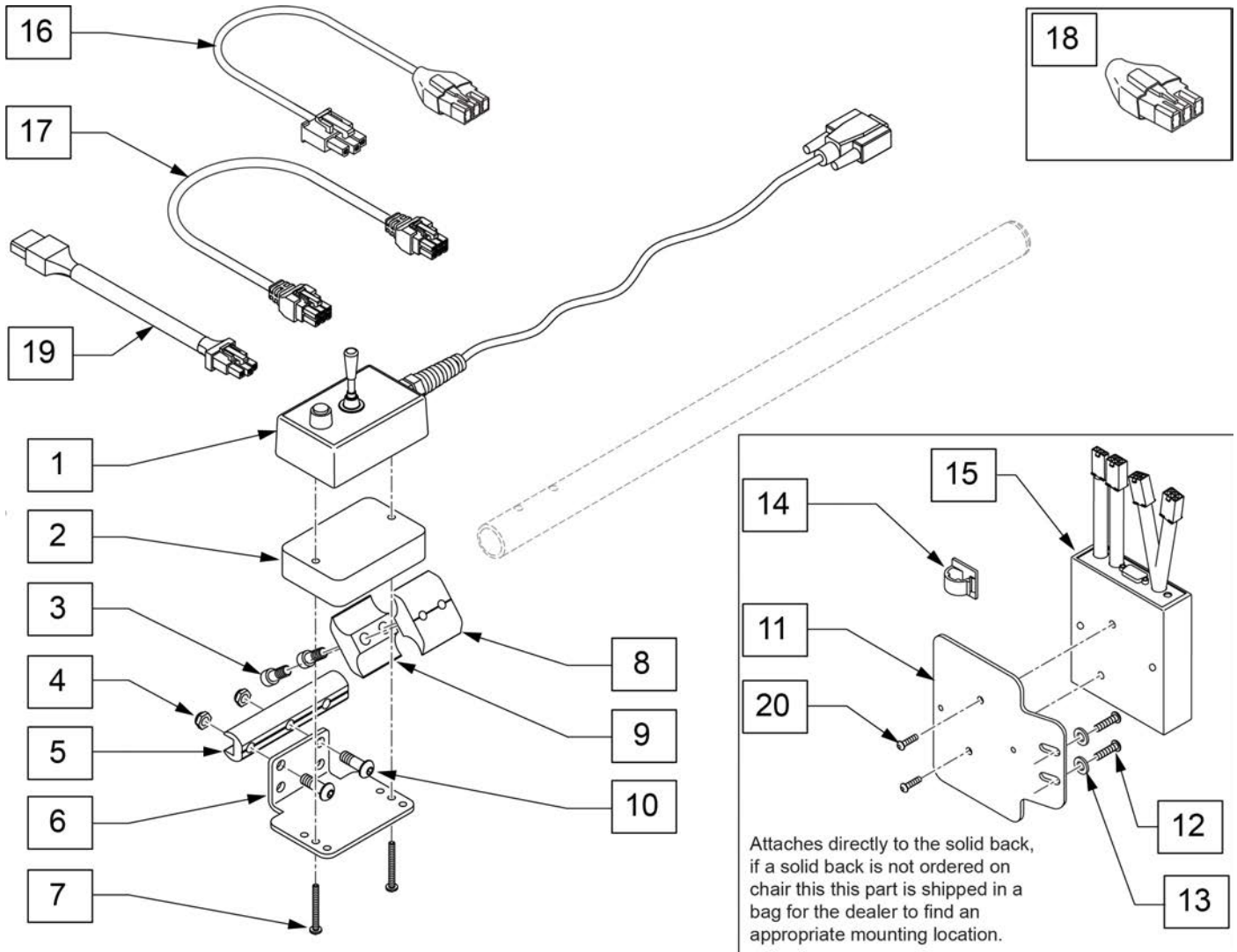
Note: Not compatible on chairs with Captians Seat.

**Note:** please refer to " 4 Way Switch Activation W/3 Axis Control" parts manual page for replacement 3 Axis Control.



Pos.	Item Number	Description	Remarks
1A-3	110838	TM40 7AMP W/ VELCRO	Use for tilt
1B-3	120591	TM40 4.5AMP W/ VELCRO	Use for lift
2	102340	POLYLOCK FEMALE 3" X 1"	
3	102341	POLYLOCK MALE 3" X 1"	
4	102181	SWITCH DUAL TOGGLE W DISABLE	
5	220121	NUT HEX NYLOCK M5 BLACK	
6A	102811	MOUNT TOGGLE SWITCH	Mounts Toggle to non-Joystick side
6B	108556	DRCT ACT SWTCH MNT RNET	Mounts Toggle to Joystick side
6C	101468	DAS MOUNT ADAPTER	
7	102260-001	SHCS M5X0.8X18 FULL NP	
8	013143	BHCS M5 X .8 X 14 BLK W/PL	
9	560305	4 X .375 ID X .125 FOAM GRIP	
10	321104	SPRING .38 ODX2.85-TILT SWITCH	
11	341125	COUPLER -TILT SWITCH	

Pos.	Item Number	Description	Remarks
12	225106	4-40 X 1/8 SET SCREW BLK	
13	225105	4-40 X 1/16 SET SCREW BLK	
14	102259-002	BHCS M5 X .8 X 20 W/PL INORG	Used to mount to joystick
15	011956	CAP TUBE 3/4"	
16	011957-007	3/4" 2 HOLE TUBE 11"	
17	107032	1/4-28 X 1 SOC C/S BLK	
18	550724	CLAMP 3/4"-3/4"TOP HALF ST/DT	
19	106934	1/4-28 NYLOCK NUT	
20	550374	WHL LCK SLIDE BLOCK 3 1/2" BLK	
21	550725	CLAMP 3/4"-3/4"THRD HALF ST/DT	
22	013599	CLAMP CNTRL ARM MOUNT SQ/RD	
23	102260-003	SHCS M5X0.8X35 PART NP	
24	560268	QUICK RELEASE CLIP	
25	011024	M5 FLAT WASHER LARGE OD	
26	011049	HANDLE ADJ MODERN M5 X 20 STUD	
27	226105	1/4-28 X 3/4 FH C/S BLK	
28	560794	CABLE HOLDER BLACK W/ADHESIVE	
9-13	110839	TOGGLE HANDLE ASSM	
6B,8,14	110840	TOGGLE MOUNT JOYSICK SIDE	Toggle Mounts to Joystick side
5,6A,7,8	110841	TOGGLE MOUNT NON JOYSICK SIDE	Toggle Mounts to non-Joystick side for Cantilever Armrest
1A-14	110842	TOGGLE RETRO KIT	Used for tilt. Includes parts to add a toggle. Includes both mounting kits.
1B-14	120592	TOGGLE RETRO KIT 4.5AMP	Used for lift. Includes parts to add a toggle. Includes both mounting kits.
6C,8,15-27	120197	TOGGLE MOUNT ASS FOR JOYSTICK	Toggle Mounts to non-Joystick side w/dualpost and single post armrest

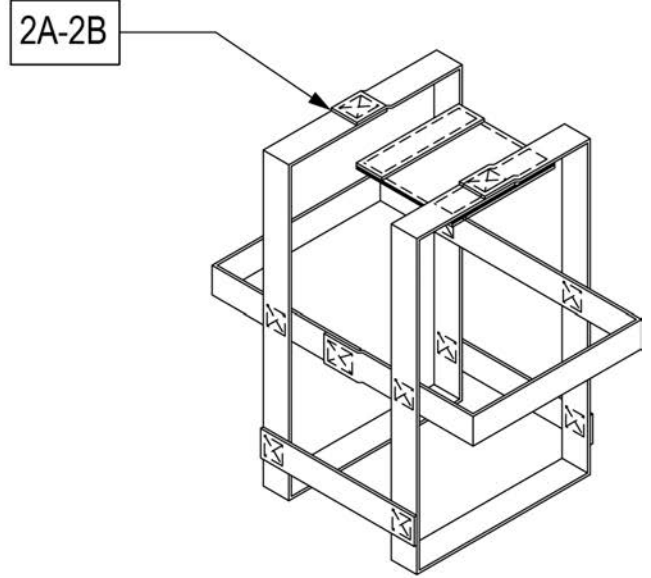
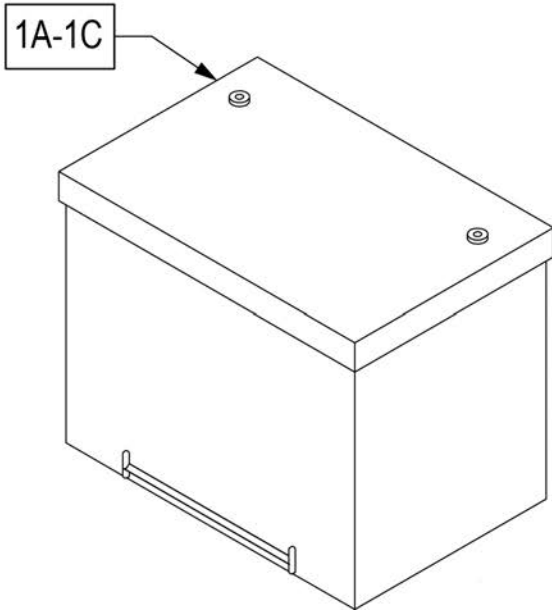


Attaches directly to the solid back, if a solid back is not ordered on chair this part is shipped in a bag for the dealer to find an appropriate mounting location.

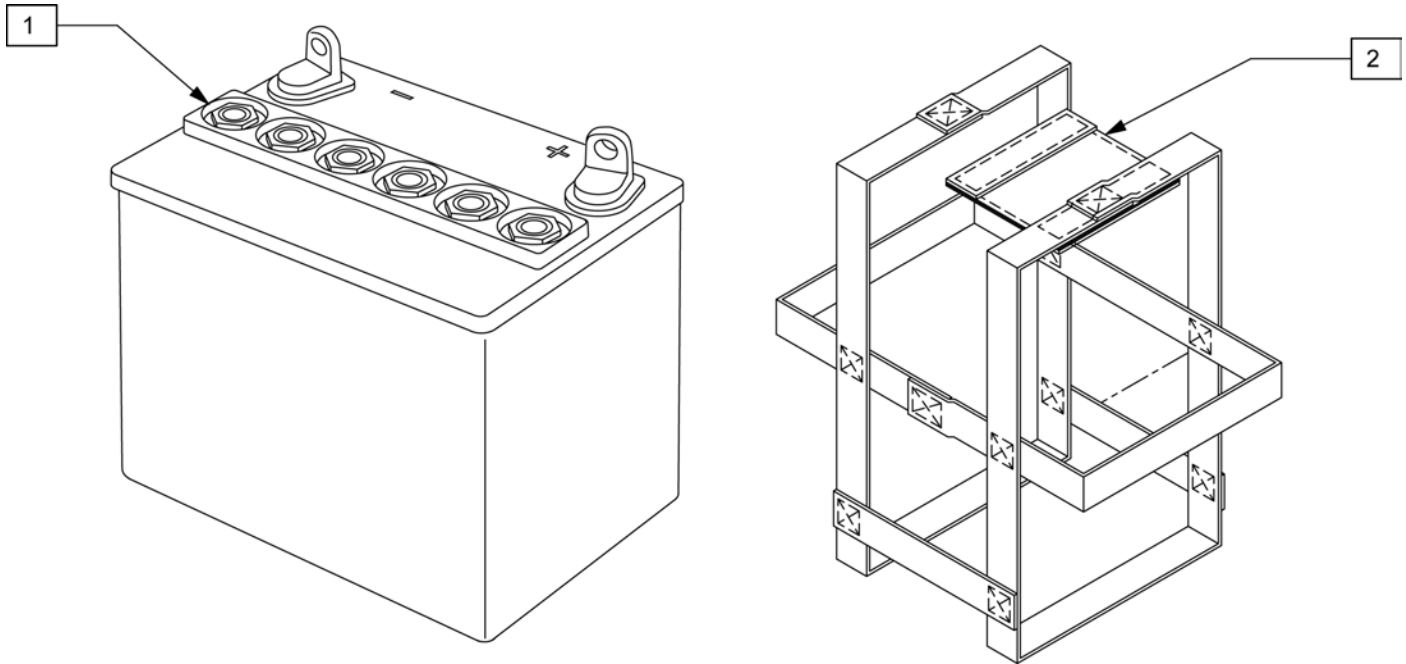
Pos.	Item Number	Description	Remarks
1	139221	MULTI SWITCH CONTROLLER	
2	505789	5 SWITCH MOUNT SPACER	
3	107032	1/4-28 x 1 SOC C/S BLK	
4	106935	NUT NYLOCK THIN 1/4-28 ROHS	
5	550374	WHL LCK SLIDE BLOCK 3 1/2" BLK	
6	505978	5 SWITCH DUAL POST MOUNT BRCKT	Used with toggle switch activation of Tilt and Pwr Legs
7	281070	6-32 x 1 1/4 PAN PHIL	
8	550725	CLAMP 3/4"-3/4"THRD HALF ST/DT	
9	550724	CLAMP 3/4"-3/4"TOP HALF ST/DT	
10	226064	1/4-28 x 3/4 BH C/S BLK W/PTCH	
1-10	887995	5 SWTCH MOUNT ASSM STD AMRESTS	
11	116579	BRACKET ART BACK 3 AXIS CNTR	
12	108107	BHCS 1/4-20 X 3/4 ROHS	



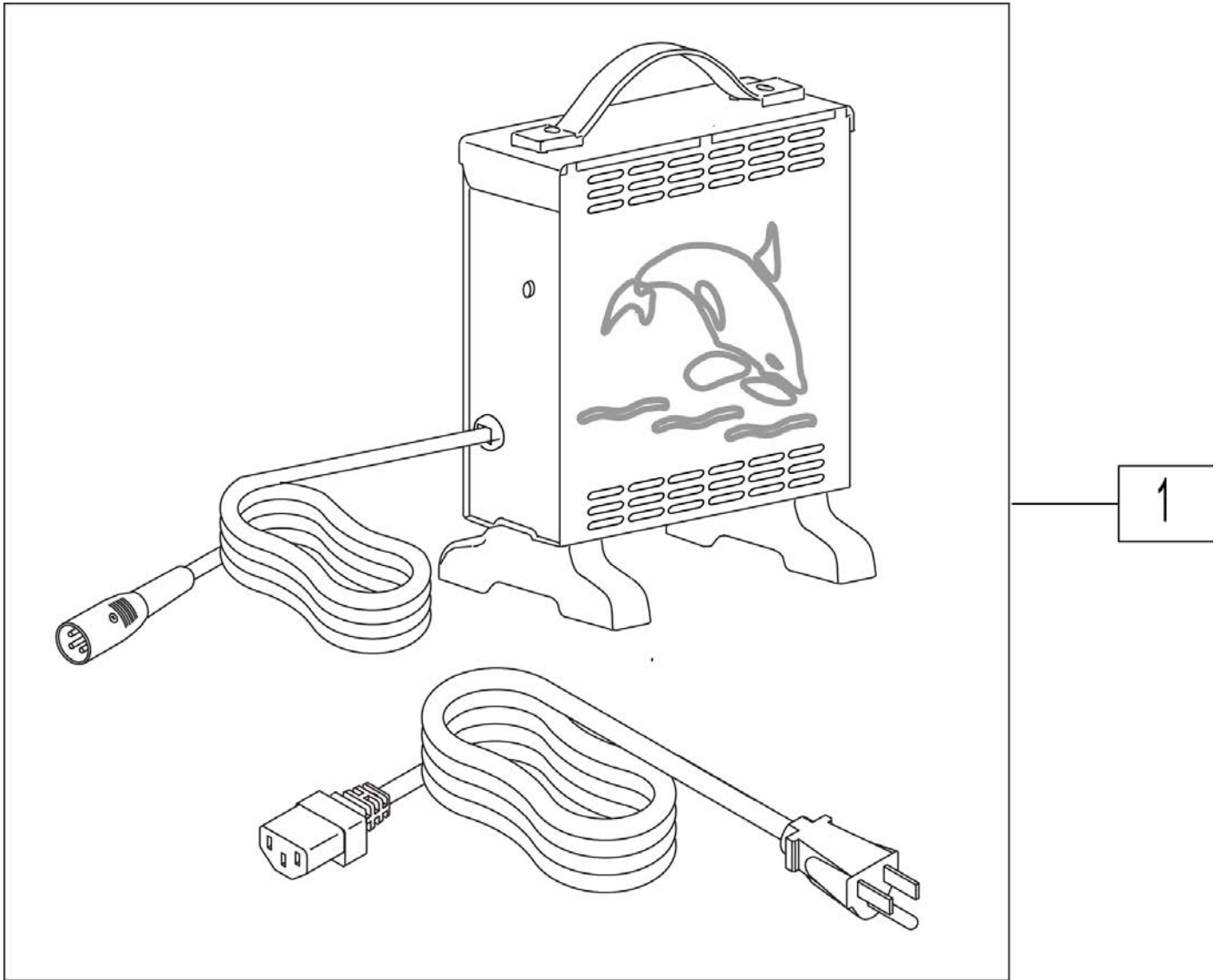
Pos.	Item Number	Description	Remarks
13	106943	WASHER FLAT AN 1/4 ROHS	
14	341220	BATTERY CABLE CLIP	
15A	116509	DRIVER ACTUATOR 3-AXIS W TILT	For Tilt & Tilt w/ Power Legs
15B	117105	DRIVER ACTUATOR 3-AXIS W LIFT	For Lift & Lift w/ Power Legs
15C	116508	DRIVER ACTUATOR 2-AXIS TLT/LFT	For Tilt with Lift no Power Legs
16	116507-070	HARN PWR/INHBT ACT DRVR 700MM	
17	020063-100	MOTORKABEL 1000MM	used to connect to tilt actuator harness
17	020063-160	MOTORKABEL 1600MM	used to connect to the power legrest actuators (left & right actuators) or (Elevating & articulating actuators) (used two per assembly)
18	119131	HARN ACT INHIBIT SHORTING PLUG	used when chair only has Power Legs no tilt or lift
19	119286-080	HARN PWR/INHIBIT EXT 800MM	
20	107022	BHCS 10-32 X 5/8 ROHS	



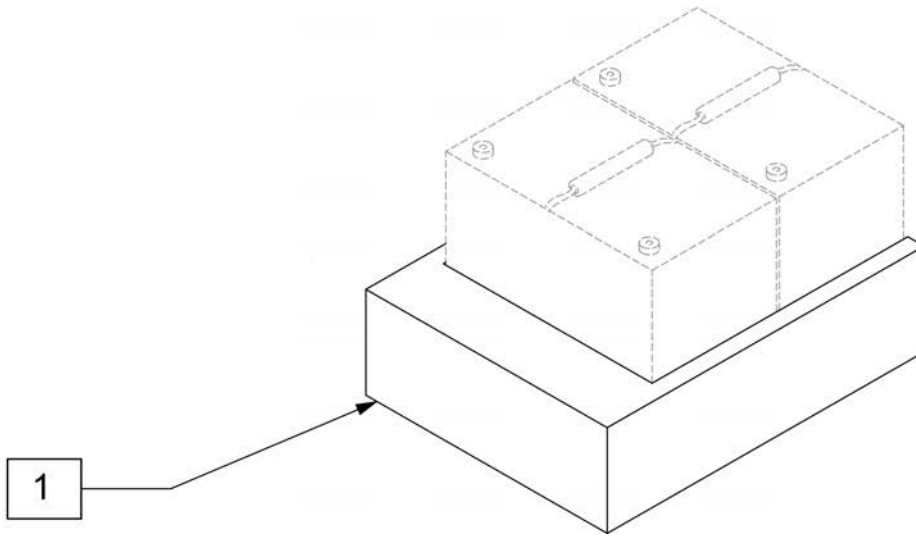
Pos.	Item Number	Description	Remarks
1A	108114	BATT 24 FEMALE TERMINAL	
1B	121049	GRP 22 FEMALE TERMINAL	
1C	122462	GRP 34 FEMALE TERMINAL	
2A	740140	BATTERY STRAP GROUP 22	USED W/ GROUP 22 ONLY
2B	740141	BATTERY STRAP GROUP 24	USED W/ GROUP 24 AND 34



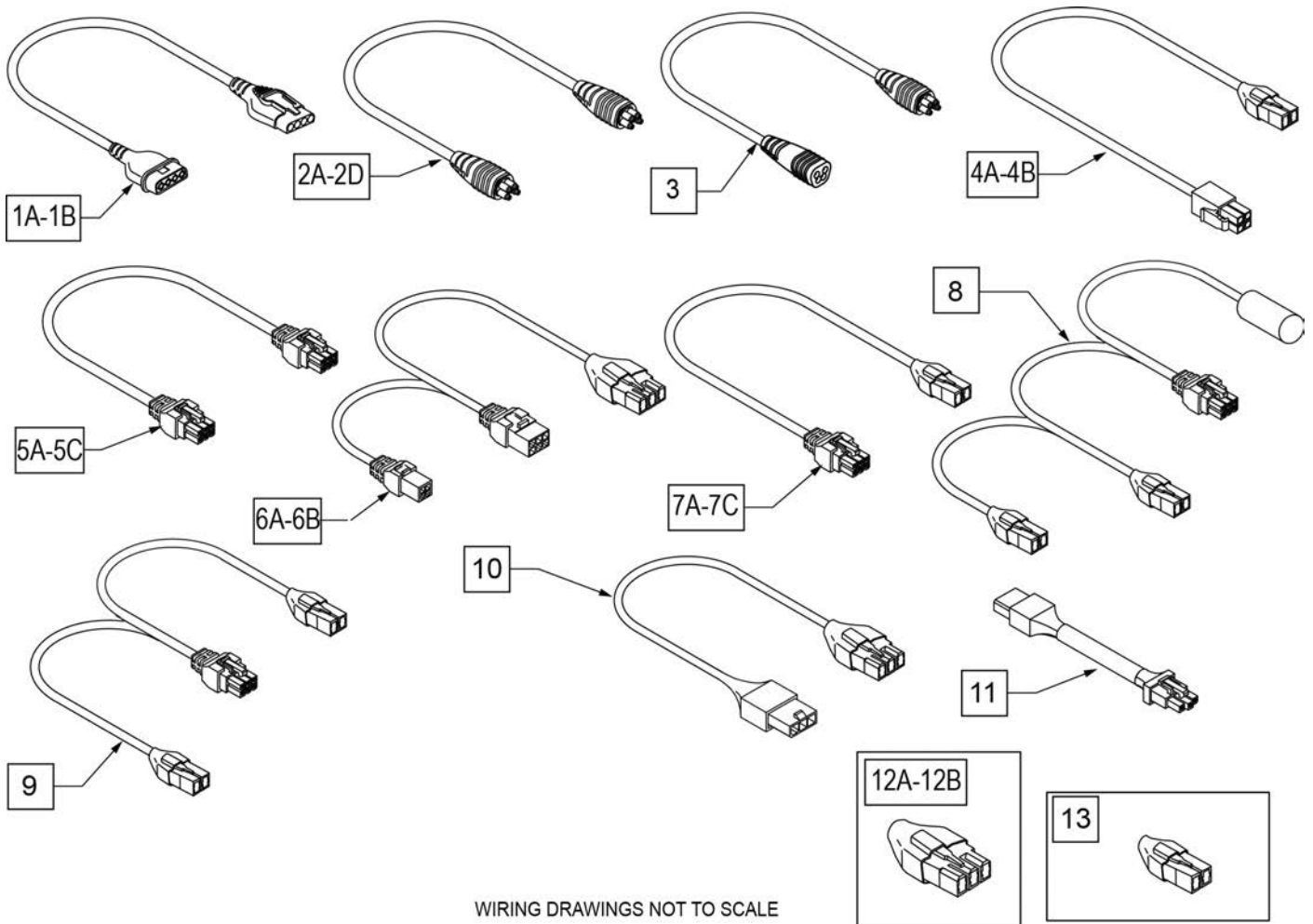
Pos.	Item Number	Description	Remarks
1	BAT22	BATTERY GROUP 22	GROUP 22
1	BAT24	BATTERY GROUP 24	GROUP 24
2	740140	BATTERY STRAP GROUP 22	USED W/ GROUP 22 ONLY
2	740141	BATTERY STRAP GROUP 24	USED W/ GROUP 24 ONLY



Pos.	Item Number	Description	Remarks
1	BATC8CT	CHARGER OFF BOARD 8A CTE	E2367



Pos.	Item Number	Description	Remarks
1	108106	SPACER BATTERY 2 GRP22	USED W/ GROUP 22 ONLY



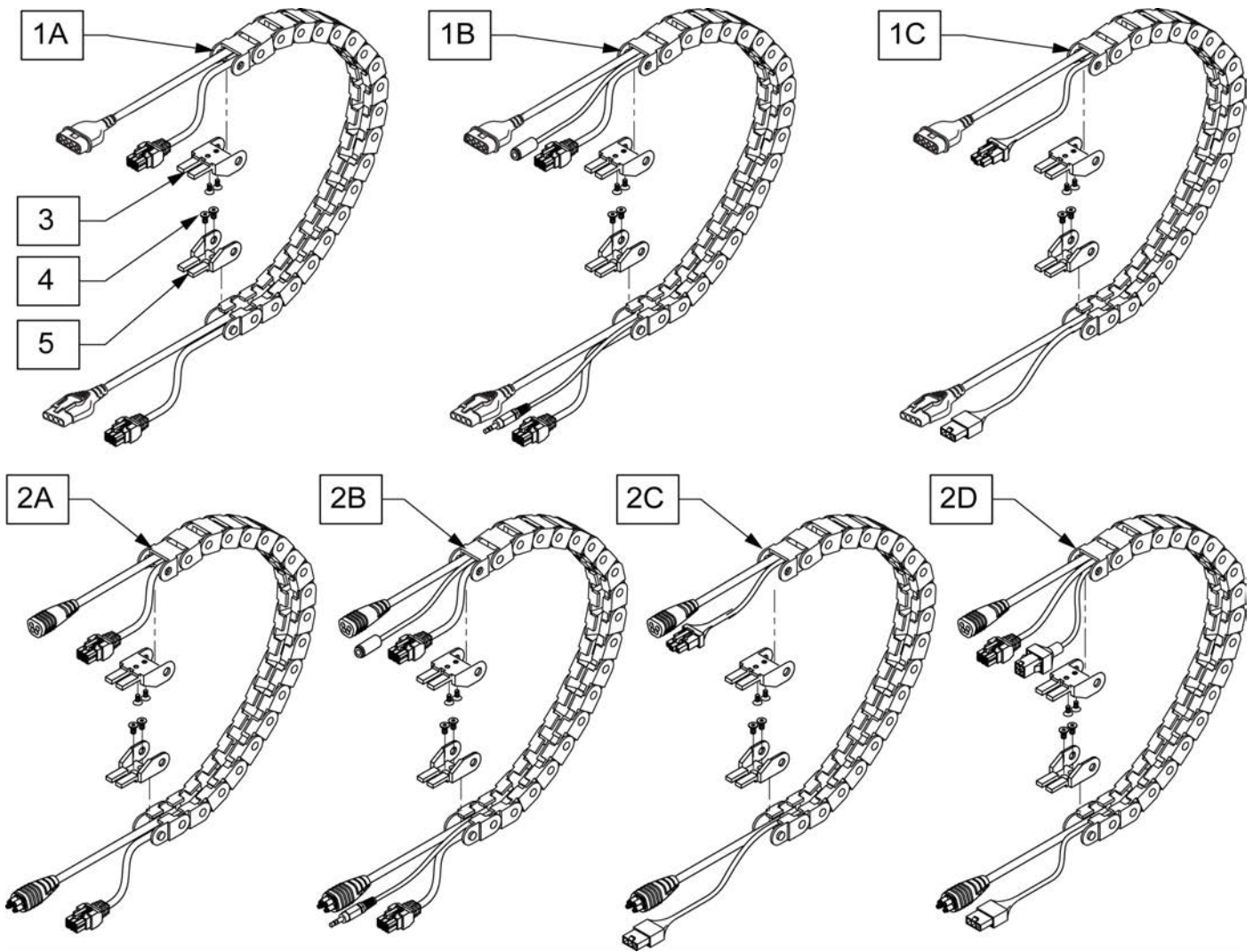
Pos.	Item Number	Description	Remarks
VR2 JOYSTICK HARNESS'S			
1A	101626	VR2 JOYSTICK HARNESS - 500mm - 19.5"	Controller to Joystick - Drive Only Or Controller to Bottom of Lift Or Top of Lift to Joystick
1B	101626-100	VR2 JOYSTICK HARNESS - 1000mm - 40"	Controller to Joystick - Tilt Only
R-NET HARNESS'S			
2A	108316-050	R-NET BUS HARNESS - 500mm - 19.5"	Distribution Block to ISM Or Distribution Block to Output Module

Pos.	Item Number	Description	Remarks
2B	108316-120	R-NET BUS HARNESS - 1200mm - 47"	Distribution Block to Joystick Or Distribution Block to Omni Or Distribution Block to Attendant Control Or Non-Recline RNET Bus Extension to Dist Block Or Top of Lift to Distribution Block Or R-Net Bus Extension to Joystick - Drive Only
2C	108316-030	R-NET BUS HARNESS - 300mm - 12"	ISM to Output Module Or Controller Joystick Port to Blue Tooth
2D	108316-200	R-NET BUS HARNESS - 2000mm - 79"	Top of Lift to Recline Distribution Block Or R-Net Bus Ext to Recline Distribution Block
3	108557-100	R-NET BUS EXTENSION - 1000mm - 40"	Controller Joystick Port to Bottom of Lift Or Controller Joystick Port to R-Net Bus Harness Or Blue Tooth to Bottom of Lift Or Blue Tooth to R-Net Bus Harness
POWER SEATING HARNESS'S			
4	111438-020	THRU DRIVE POWER HARNESS - 200mm - 4"	Controller Actuator Port to Base Tilt Harness
5A	020063-070	ACTUATOR HARNESS TILT- 700mm - 27.5"	Tilt to Base Tilt Harness

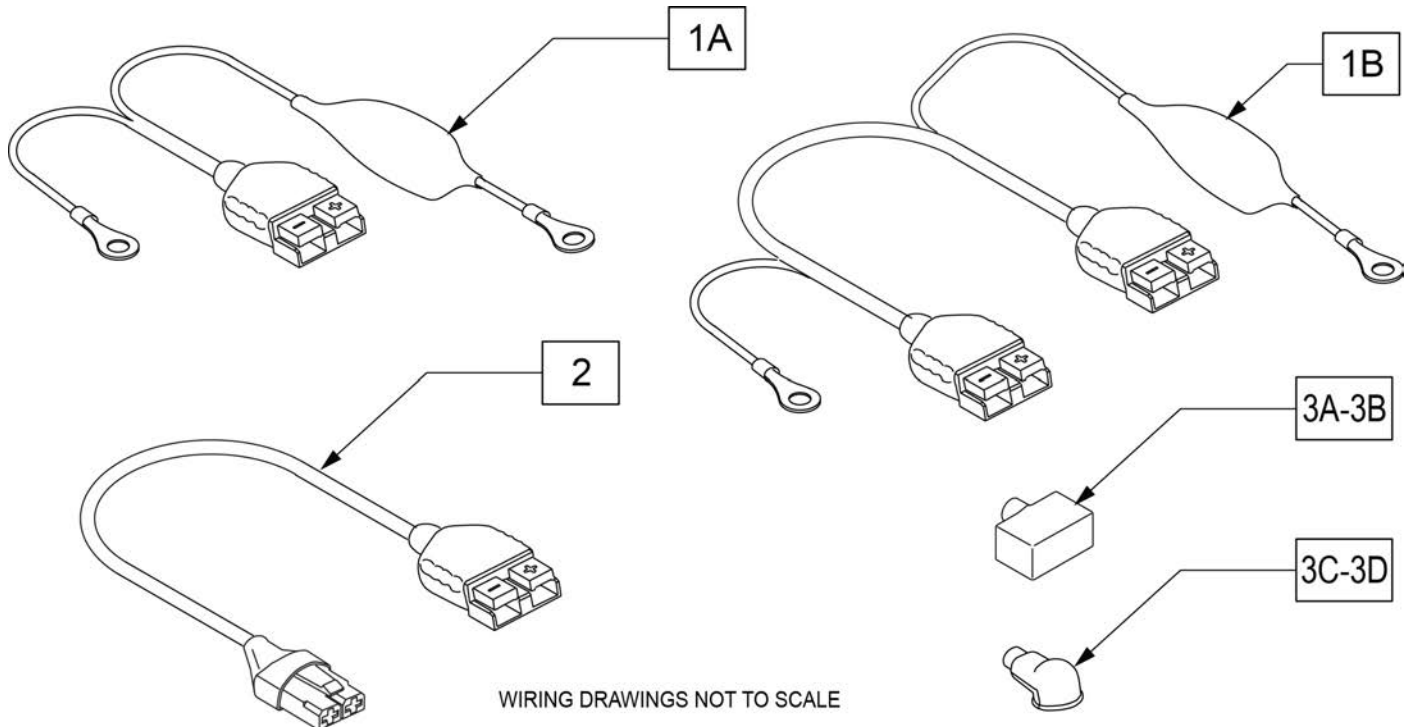
Pos.	Item Number	Description	Remarks
5B	020063-100	ACTUATOR HARNESS TILT OR LIFT - 1000mm - 40"	2/3 Axis Actuator Driver to Tilt 2/3 Axis Actuator Driver to Top of Lift Lift to Base Lilt Harness
5C	020063-160	ACTUATOR HARNESS POWER LEG - 1600mm - 63"	3 Axis Actuator Driver to Power Legs
6A	104977-020	BASE TILT HARNESS - 200mm - 8"	Controller Charger Port to Thru Drive Power Harness to Tilt Controller Charger Port to TM40 to Tilt
6B	119301-060	BASE LIFT HARNESS - 600mm - 23.5"	Controller Charger Port to Thru Drive Power Harness to Lift Controller Charger Port to TM40 to Lift
9	108309-120	ISM ACTUATOR HARNESS - 1200mm - 47"	ISM to Tilt
7A	108278-150	ISM ACTUATOR HARNESS - 1500mm - 59" (A-2 LABEL)	ISM to Power Leg Right
7B	111564-150	ISM ACTUATOR HARNESS - 1500mm - 59" (A-3 LABEL)	ISM to Power Leg Right
8	116328	RECLINE HARNESS WITH LEVEL SWITCH	ISM to Recline Actuator
7C	108278-050	THRU DRIVE ACTUATOR HARNESS - 500mm - 19.5"	ISM to Recline Shear Actuator
4B	117071-120	ISM DRIVE ACTUATOR HARNESS - 1200mm - 47"	ISM to Top of Lift



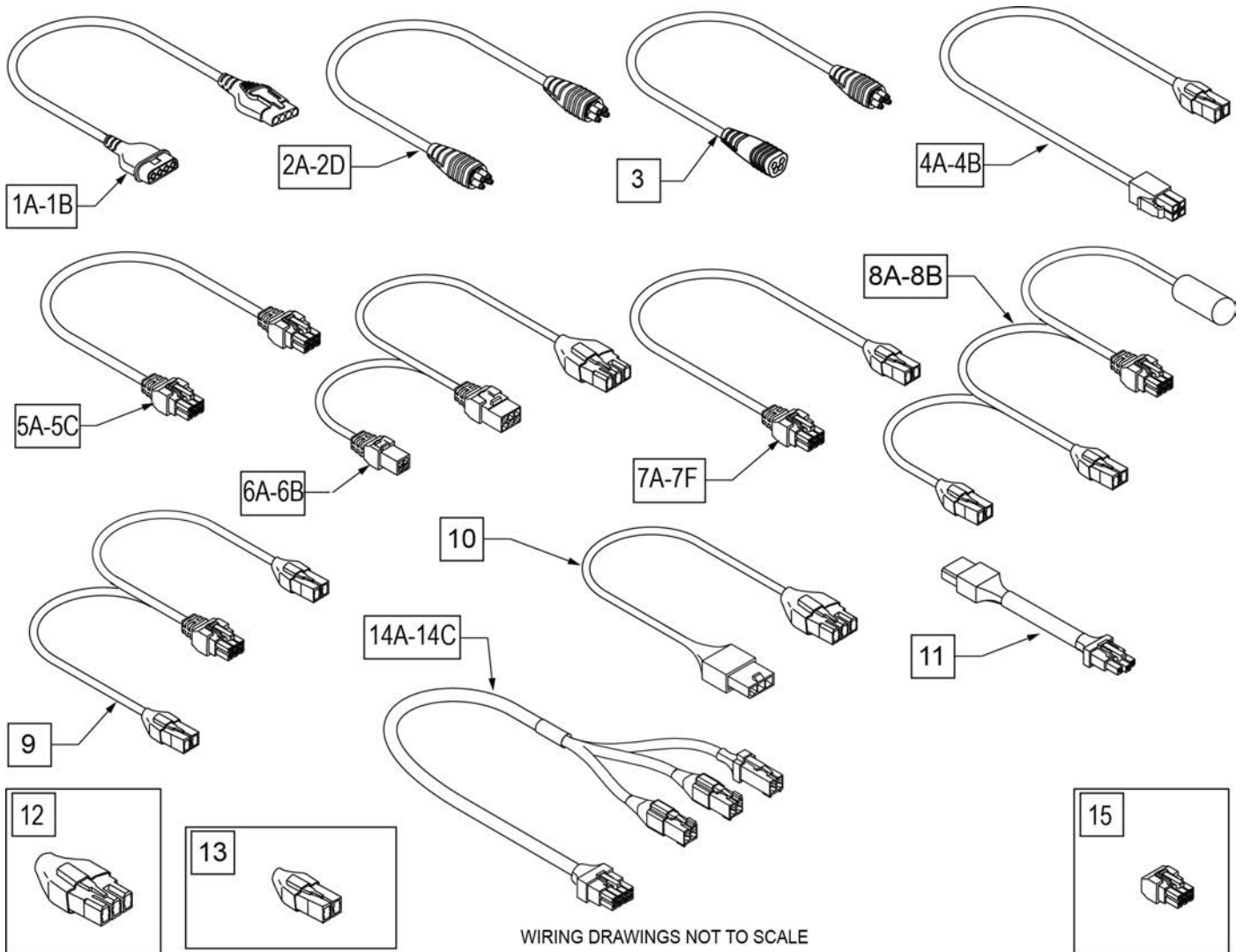
Pos.	Item Number	Description	Remarks
10	116507-070	2/3 AXIS & ISM ACTUATOR POWER HARNESS - 700mm - 27.5"	Controller Charger Port to 2/3 Axis Actuator Ext Harness Controller Charger Port to bottom of Lift
11	119286-080	2/3 AXIS ACTUATOR EXT HARNESS	2/3 Axis Actuator Driver to 2/3 Axis Actuator Power Harness 2/3 Axis Actuator Driver to Top of Lift Top of Lift to ISM
INHIBIT PLUG'S			
12A	116467	HARN INHBT 3 TLT/LFT	Plugs into Controller Charger Port Drive only or Non Single Actuator Drive Thru Tilt
12B	119131	INHIBIT PLUG - POWER LEGS ONLY	Pugs into 3 Axis Actuator Tilt Port
13	116368	INHIBIT PLUG - NON TILT CHAIR	Plugs into ISM Inhibit Port



Pos.	Item Number	Description	Remarks
1A	118930-001	HARN/TRAK ASSY VR2 DRIVE-THRU	VR2 with Drive Thru
1B	118930-002	HARN/TRAK ASSY VR2 DUAL-TOGG	VR2 with Dual Toggle
1C	118930-003	HARN/TRAK ASSY VR2 SW CNTL	VR2 with switch control
2A	118930-004	HARN/TRAK ASSY RNET DRIVE-THRU	RNET with Drive Thru
2B	118930-006	HARN/TRAK ASSY RNET DUAL-TOGG	RNET with Dual Toggle
2C	118930-008	HARN/TRAK ASSY RNET SW CNTL	RNET with switch control
2D	118930-010	HARN/TRAK RNET WITH ISM	RNET with ISM
3-5	120476	CABLE TRACK ENDS KIT	



Pos.	Item Number	Description	Remarks
1A	104742	HARN BATT 22/24 HI FLUSH TERM	
1B	104741	HARN BATT 22/24 LOW FLUSH TRM	
2	113351-045	HARN PWR EXT 150 DEG 450MM	Batteries to Control Module
3A	103764-001	BOOT GP22 & 24 BATT TERM RED	STD Batteries
3B	103764-002	BOOT GP22 & 24 BAT TERM BLACK	STD Batteries
3C	116399	BOOT LOW PROFILE BATT RED	Flat Top Batteries
3D	116400	BOOT LOW PROFILE BATT BLACK	Flat Top Batteries



Pos.	Item Number	Description	Remarks
VR2 JOYSTICK HARNESS'S			
1A	101626	VR2 JOYSTICK HARNESS - 500mm - 19.5"	Controller to Joystick - Drive Only Or Controller to Bottom of Lift
1B	101626-100	VR2 JOYSTICK HARNESS - 1000mm - 40"	Controller to Joystick - Tilt Only
R-NET HARNESS'S			
2A	108316-050	R-NET BUS HARNESS - 500mm - 19.5"	Distribution Block to ISM

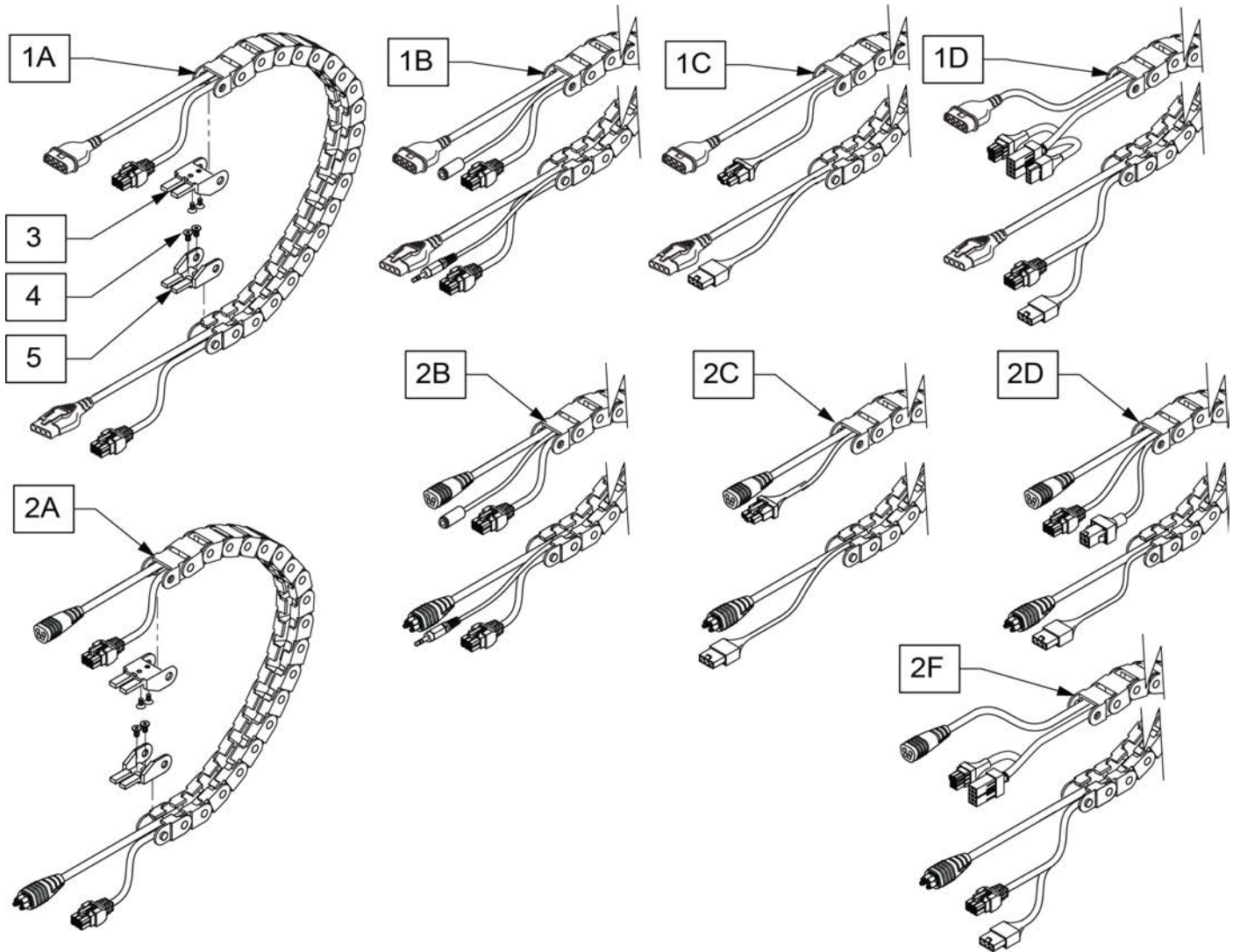
Pos.	Item Number	Description	Remarks
2B	108316-120	R-NET BUS HARNESS - 1200mm - 47"	Rnet bus extension to joystick or rnet bus extension to Omni or non expandable ISM to joystick or non exp Rnet bus extension to distribution block
2C	108316-030	R-NET BUS HARNESS - 300mm - 12"	ISM to Output Module Or Controller Joystick Port to Blue Tooth
2D	108316-100	R-NET BUS HARNESS - 1000mm - 40"	Distribution Block to Attendant Control
3	108557-100	R-NET BUS EXTENSION - 1000mm - 40"	Controller Joystick Port to Bottom of Lift Or Blue Tooth to Bottom of Lift Or Blue Tooth to R-Net Bus Harness
POWER SEATING HARNESS'S			
4A	111438-020	THRU DRIVE POWER HARNESS - 200mm - 4"	Controller Actuator Port to Base Tilt Harness
4B	117071-120	ISM DRIVE ACTUATOR HARNESS - 1200mm - 47"	ISM to Top of Lift
5A	020063-070	ACTUATOR HARNESS TILT- 700mm - 27.5"	Tilt to Base Tilt Harness
5B	020063-100	ACTUATOR HARNESS TILT OR LIFT - 1000mm - 39"	2/3 Axis Actuator Driver to Tilt 2/3 Axis Actuator Driver to Top of Lift
5C	020063-160	ACTUATOR HARNESS POWER LEG - 1600mm - 63"	3 Axis Actuator Driver to Power Legs

Pos.	Item Number	Description	Remarks
6A	104977-020	BASE TILT HARNESS - 200mm - 8"	Controller Charger Port to Thru Drive Power Harness to Tilt Controller Charger Port to TM40 to Tilt
6B	119301-060	BASE LIFT HARNESS - 600mm - 23.5"	Controller Charger Port to Thru Drive Power Harness to Lift Controller Charger Port to TM40 to Lift
7A	108278-150	ISM ACTUATOR HARNESS - 1500mm - 59" (A-2 LABEL)	ISM to Power Leg Right, without power recline and narrow power recline
7B	111564-150	ISM ACTUATOR HARNESS - 1500mm - 59" (A-3 LABEL)	ISM to Power Leg Left, without power recline and wide power recline
7C	111564-160	ISM ACTUATOR HARNESS - 1600mm - 63" (A-2 LABEL)	ISM to Power Leg Left Narrow Power Recline
7D	108278-170	ISM ACTUATOR HARNESS - 1700mm - 67" (A-3 LABEL)	ISM to Power Leg Right Wide Power Recline
7E	108278-050	THRU DRIVE ACTUATOR HARNESS - 500mm - 19.5"	ISM to Recline Shear Actuator Wide Back Power Recline

Pos.	Item Number	Description	Remarks
7F	124934-035	ISM ACTUATOR HARNESS - 350mm -14 " (A-3 LABEL)	ISM to Recline Sheer Act Narrow Back Power Recline
8A	124913	RECLINE HARNESS WITH LEVEL SWITCH	ISM to Recline Actuator Narrow Back Power Recline
8B	124925	RECLINE HARNESS WITH LEVEL SWITCH	ISM to Recline Actuator Wide Back Power Recline
9	108309-120	ISM ACTUATOR HARNESS - 1200mm - 47"	ISM to Tilt
10	116507-070	2/3 AXIS & ISM ACTUATOR POWER/INHIBIT HARNESS - 700mm - 27.5"	Controller Charger Port to 2/3 Axis Actuator Ext Harness Controller Charger Port to bottom of Lift
11	119286-080	2/3 AXIS ACTUATOR EXT HARNESS	2/3 Axis Actuator Driver to 2/3 Axis Actuator Power Harness 2/3 Axis Actuator Driver to Top of Lift Top of Lift to ISM
INHIBIT PLUG'S			
12	116467	HARN INHBT 3 TLT/LFT	Plugs into Controller Charger Port Drive only or Non Single Actuator Drive Thru Tilt or without lift
13	116368	INHIBIT PLUG - NON TILT CHAIR	Plugs into ISM Inhibit Port
14A	123530-070	TILT/LIFT ACTUATOR HARNESS 700MM (27.5")	AHAB 12-16" deep

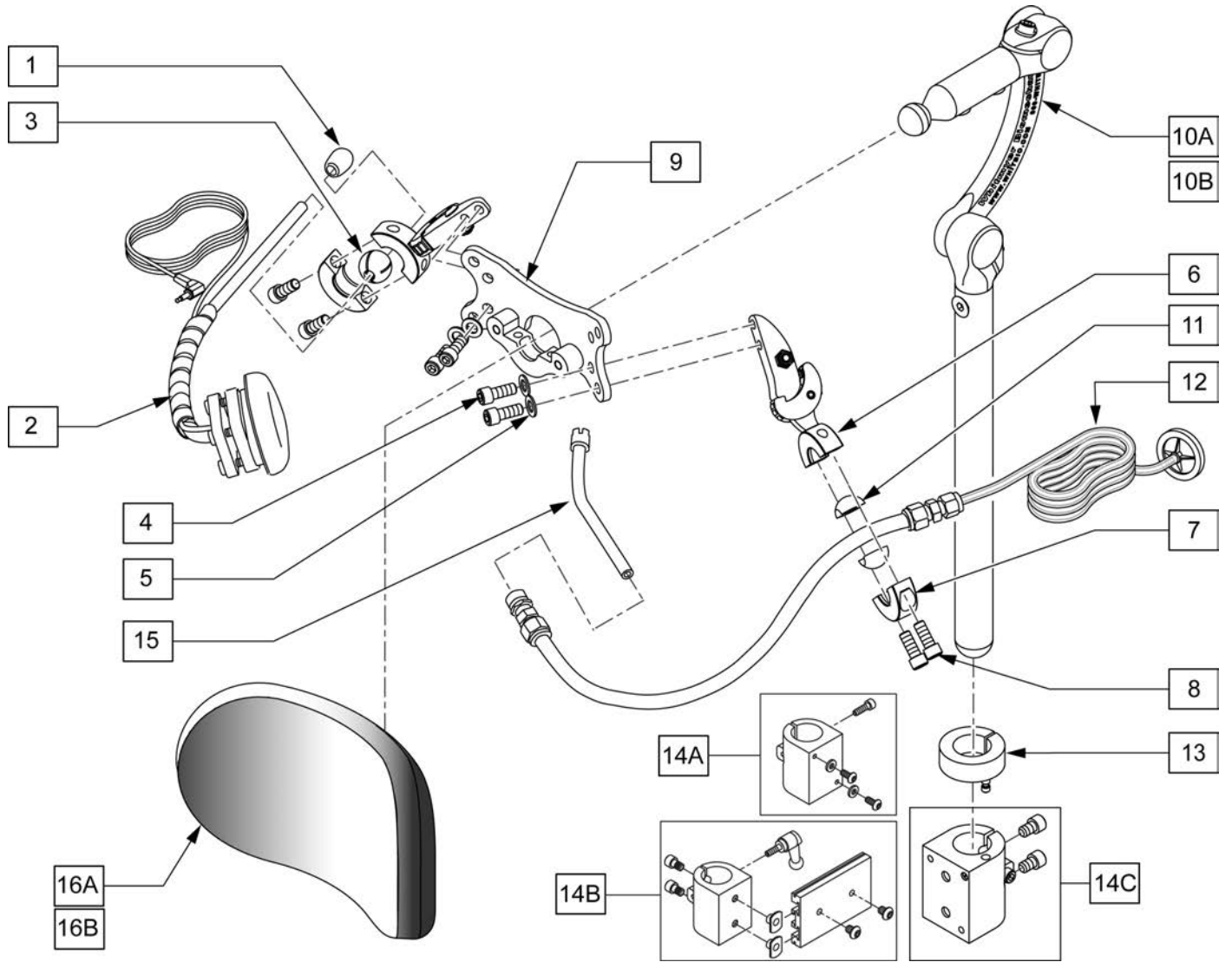
Pos.	Item Number	Description	Remarks
14B	123530-080	TILT/LIFT ACTUATOR HARNESS 800MM (31.5")	AHAB 12-16" deep Narrow Power Recline Back
14C	123530-100	TILT/LIFT ACTUATOR HARNESS 1000MM (39")	Wide Power recline Back
15	119131	INHIBIT PLUG - POWER LEGS ONLY	Pugs into 3 Axis Actuator Tilt Port



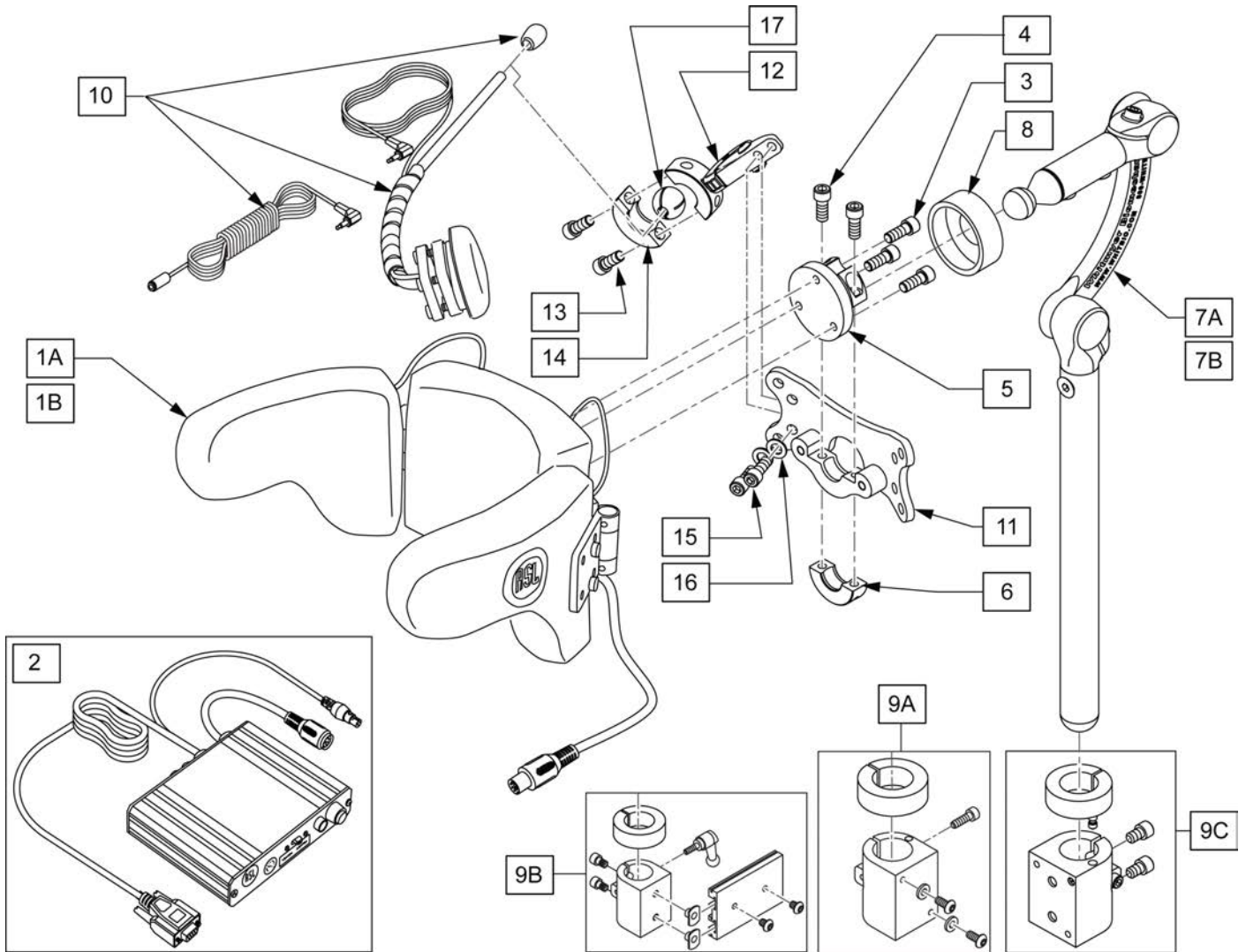


Pos.	Item Number	Description	Remarks
1A	118930-001	HARN/TRAK ASSY VR2 DRIVE-THRU	VR2 with Drive Thru
1B	118930-002	HARN/TRAK ASSY VR2 DUAL-TOGG	VR2 with Dual Toggle
1C	118930-003	HARN/TRAK ASSY VR2 SW CNTL	VR2 with switch control
1D	124043-001	HARN/TRAK COMBO VR2 SW CNTL	
2A	118930-004	HARN/TRAK ASSY RNET DRIVE-THRU	RNET with Drive Thru
2B	118930-006	HARN/TRAK ASSY RNET DUAL-TOGG	RNET with Dual Toggle
2C	118930-008	HARN/TRAK ASSY RNET SW CNTL	RNET with switch control
2D	118930-010	HARN/TRAK RNET WITH ISM	RNET with ISM
2F	124043-003	HARN/TRAK COMBO RNET DRIVE-THRU	
3-5	120476	CABLE TRACK ENDS KIT	

NOTE: IF ADDING SPECIALTY CONTROLS TO A CHAIR AN OMNI IS REQUIRED.

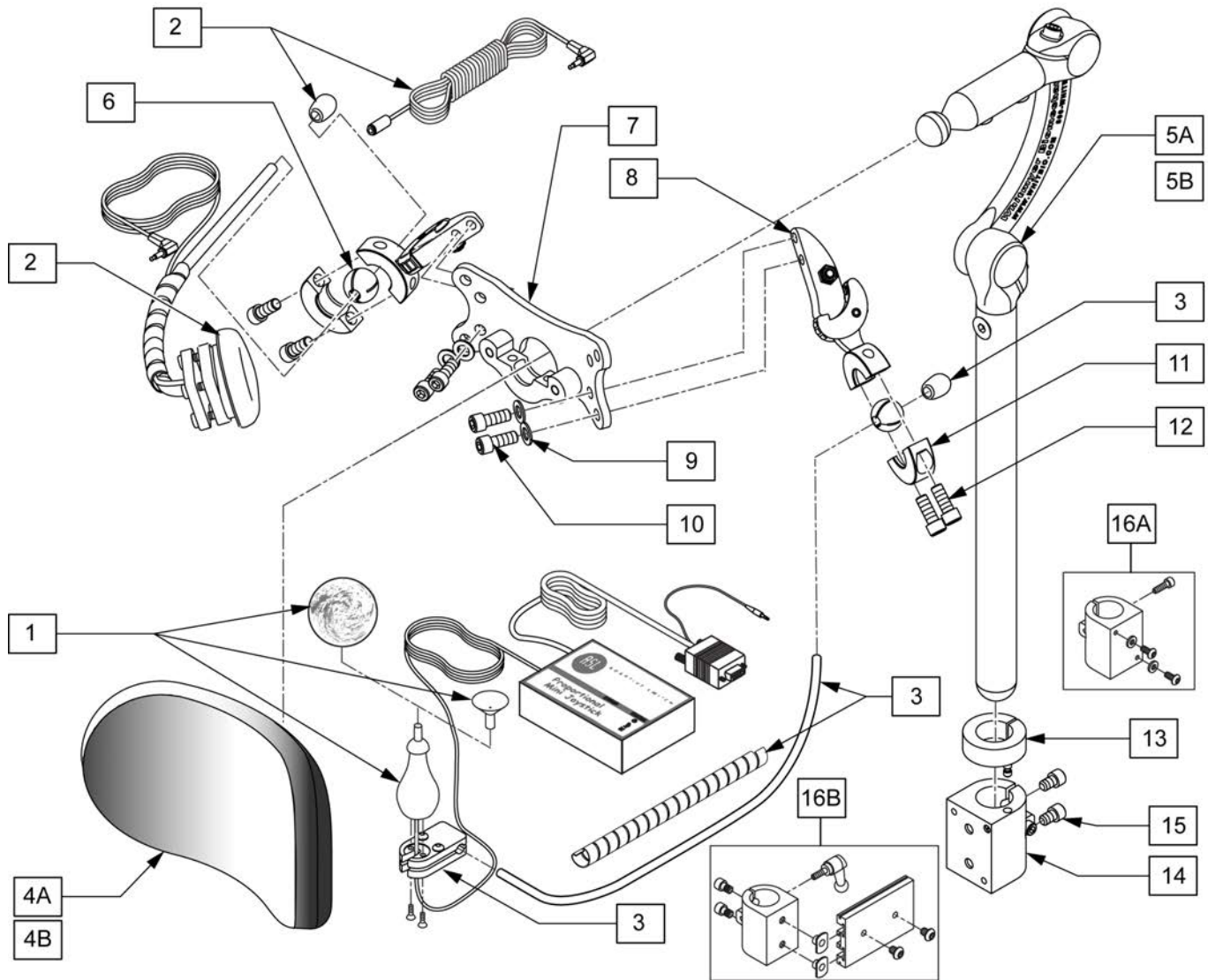


Pos.	Item Number	Description	Remarks
10A	LX7000	LINX CORE MOUNT HDW	10" POST LENGTH
10B	LX8000	LINX CORE MNTG HDW 8"	8" POST LENGTH
1-9,11,12,15	108638	SIP N PUFF W/ SA RESET SWITCH	
12	107425	SIP-N-PUFF INTERFACE	
13	104533	HEADREST COLLAR .875 ID	
15	101434	SIP N PUFF STRAW	
16A	P800L	PLUSH PAD, 8", LYCRA	8" PAD
16B	P1000L	PAD 10" PLUSH / LYCRA	10" PAD "LARGE"
13,14A,14B,14C	115057	UNIVERSAL HEAD MNT KIT	
13,14A	112717	CLAMP HEADREST SMART SEAT	Used w/ Power Recline Only
13,14B	112716	CLAMP HEADREST RIGID BACK	Used w/ Trad Rehab Back Only
13,14C	111902	HDRST CLMP ASSY .875 ID KIT	Used w/ Curved, JAY SPO, and ART SPO Backrest
1-10B-14A,14B,14C-16A	115058	RNET SIPNPUF 8" PAD 8" POST KIT	
1-10A-14A,14B,14C-16B	115059	RNET SIPNPUF 10" PAD 10" POST KIT	
1-10A-14A,14B,14C-16A	115060	RNET SIPNPUF 8" PAD 10" POST KIT	
1-10B-14A,14B,14C-16B	115061	RNET SIPNPUF 10" PAD 8" POST KIT	



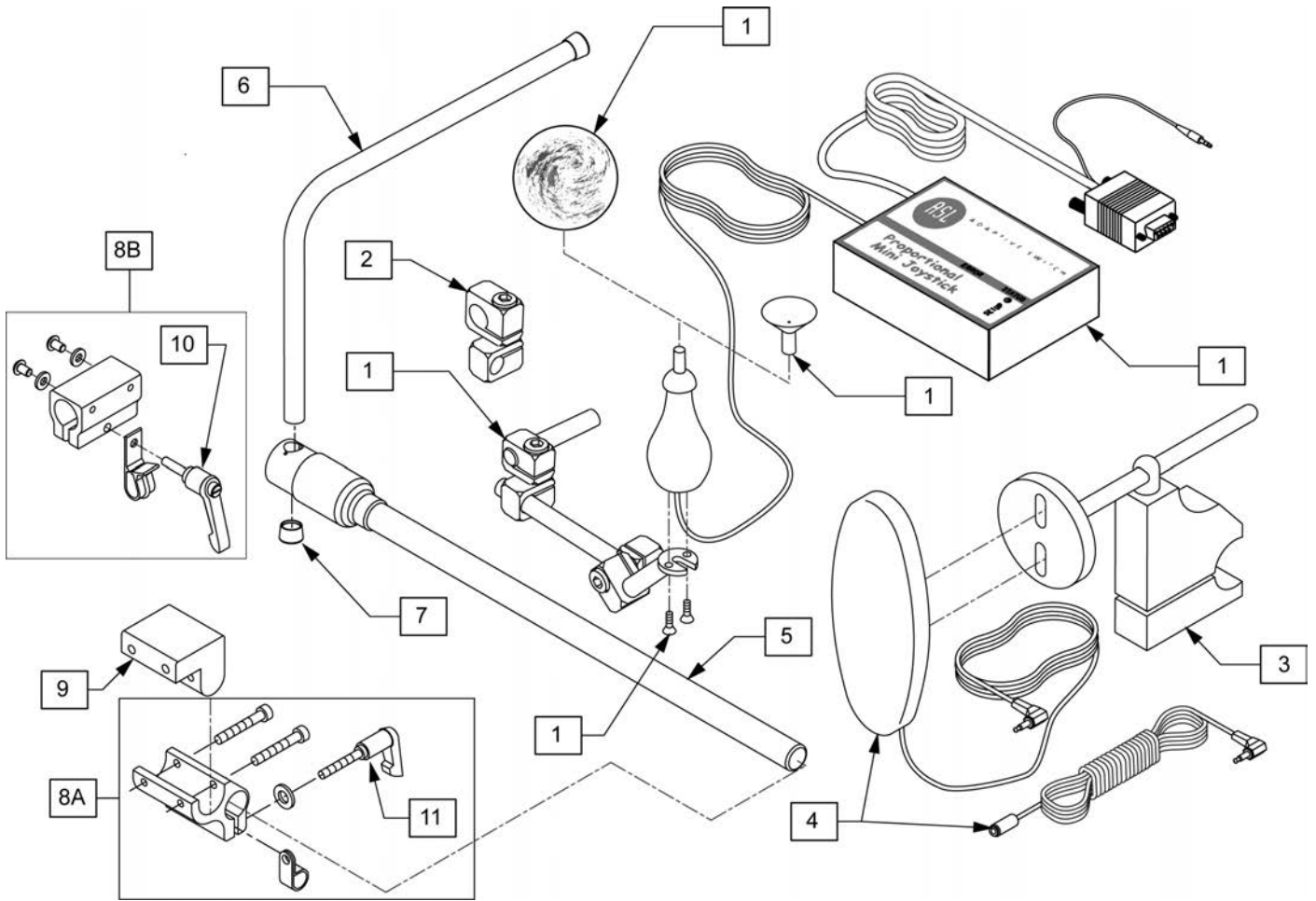
Pos.	Item Number	Description	Remarks
1A,2	139940	HEAD ARRAY ADULT W INTERFACE	Adult size
1B,2	139941	HEAD ARRAY MINI W INTERFACE	Pediatric size
3	221010	10-32 X .75 SHCS BLK W/PL	
4	107348	SHCS 1/4-28 X 5/8 PL ROHS	
5	104907	TOP COLLAR FLANGE WELDM	
6	MW027100	COL HALF RAD 3/4"THREADED BLK	
7A	LX7000	LINX CORE MOUNT HDW	10" POST
7B	LX8000	LINX CORE MNTG HDWR 8"	8" POST
8	MC100-WB	COVER 3/4"COLLAR/VINYL BLACK	
9A	112717	CLAMP HEADREST SMART SEAT	Used w/ Power Recline Only
9B	112716	CLAMP HEADREST RIGID BACK	Used w/ Trad Rehab Back Only
9C	111902	HDRST CLMP ASSY .875 ID KIT	Used w/ Curved, JAY SPO, and ART SPO Backrest
9A,9B,9C	115057	UNIVERSAL HEAD MNTG KIT	
10	108637	EGG SWITCH MNTG SYSTEM	
11	LM-PL	PLUSH LAT INTERFACE PLATE	
12-16	LM115	LFC MOUNT, SWINGAWAY	
17	107411	CLAMP BALL, STEEL	
1A-7A,9A,9B,9C,10-17	115063	RNET A-ASL 10" POST KIT	

<b>Pos.</b>	<b>Item Number</b>	<b>Description</b>	<b>Remarks</b>
1A-7B,9A,9B,9C,10-17	115062	RNET A-ASL 8" POST KIT	
1B-7A,9A,9B,9C,10-17	115065	RNET P-ASL 10" POST KIT	
1B-7B,9A,9B,9C,10-17	115064	RNET P-ASL 8" POST KIT	
1A-6,8	112367	ASL HEAD ARRAY PCKG ADULT	Adult size
1B-6,8	108640	ASL HEAD ARRAY PCKG PED	Pediatric size



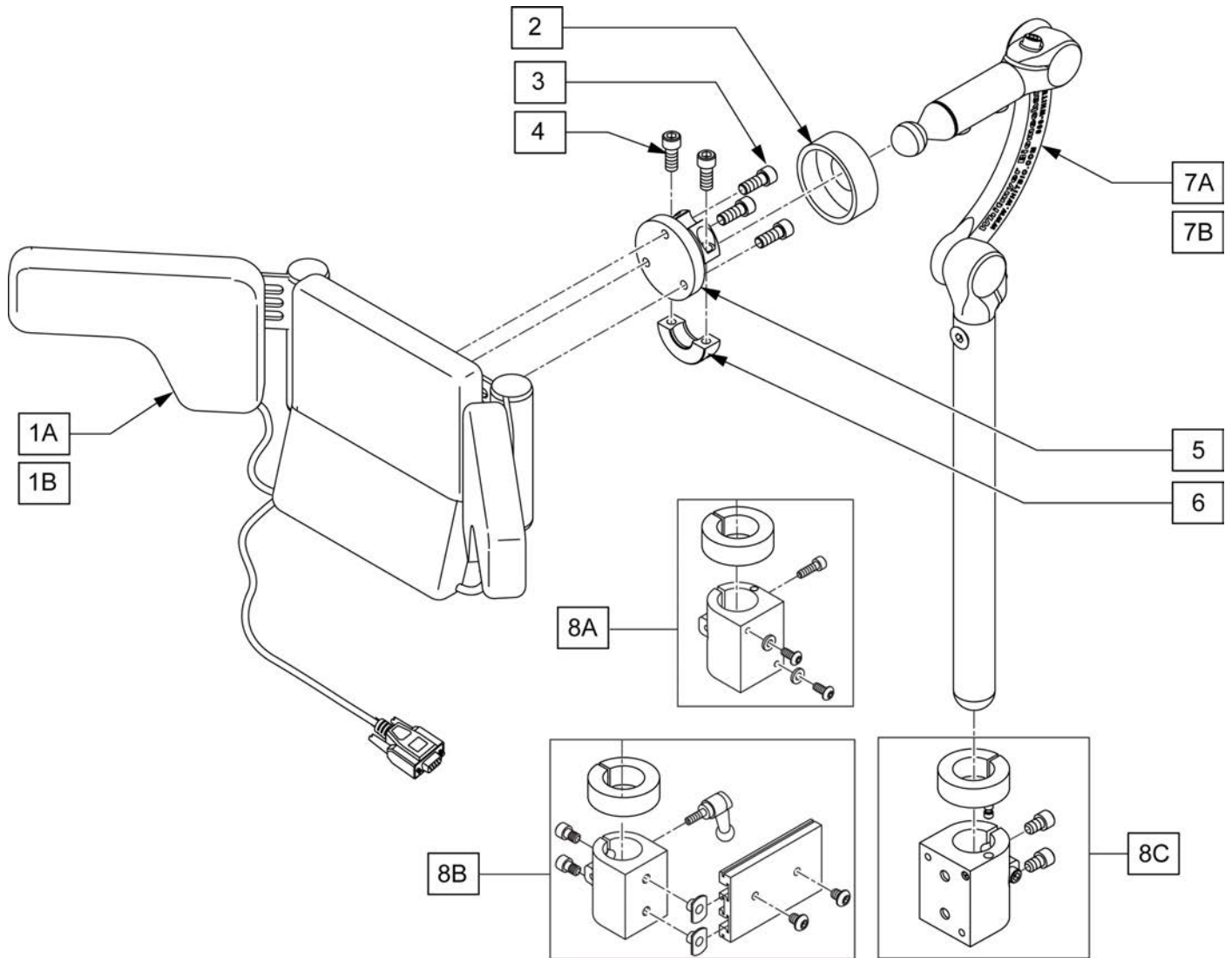
Pos.	Item Number	Description	Remarks
1	139510	JOYSTICK MINI W INTERFACE	
2	108637	EGG SWITCH MNTG SYSTEM	
3	109443	HEADREST MT W SWNG AWAY SWITCH	
4A	P800L	PLUSH PAD, 8", LYCRA	8" POST
4B	P10000L	PAD 10" PLUSH / LYCRA	10" POST
5A	LX7000	LINX CORE MOUNT HDW	10" POST
5B	LX8000	LINX CORE MNTG HDW 8"	8" POST
6	107411	CLAMP BALL, STEEL	
7	LM-PL	PLUSH LAT INTERFACE PLATE	
10	226095	1/4-20 X 3/8" SOC C/S BLK ZN	
13, 16A	112717	CLAMP HEADREST SMART SEAT	Used w/ Power Recline Only
13, 16B	112716	CLAMP HEADREST RIGID BACK	Used w/ Trad Rehab Back Only
8-12	LM115	LFC MOUNT, SWINGAWAY	
13-15	111902	HDRST CLMP ASSY .875 ID KIT	Used w/ Curved, JAY SPO, and ART SPO Backrest
1-3,6-8	109444	ASL PROPORTIONAL MINI JSTCK	
1-4A,5B-16A,16B	115070	RNET ASLMNI 8 PAD 8 POST KIT	
1-4A,5A-16A,16B	115071	RNET ASLMNI 8 PAD 10 POST KIT	

<b>Pos.</b>	<b>Item Number</b>	<b>Description</b>	<b>Remarks</b>
1-4B,5B-16A,16B	115072	RNET ASLMNI 10 PAD 8 POST KIT	
1-4B,5A-16A,16B	115073	RNET ASLMNI 10 PAD 10 POST KIT	



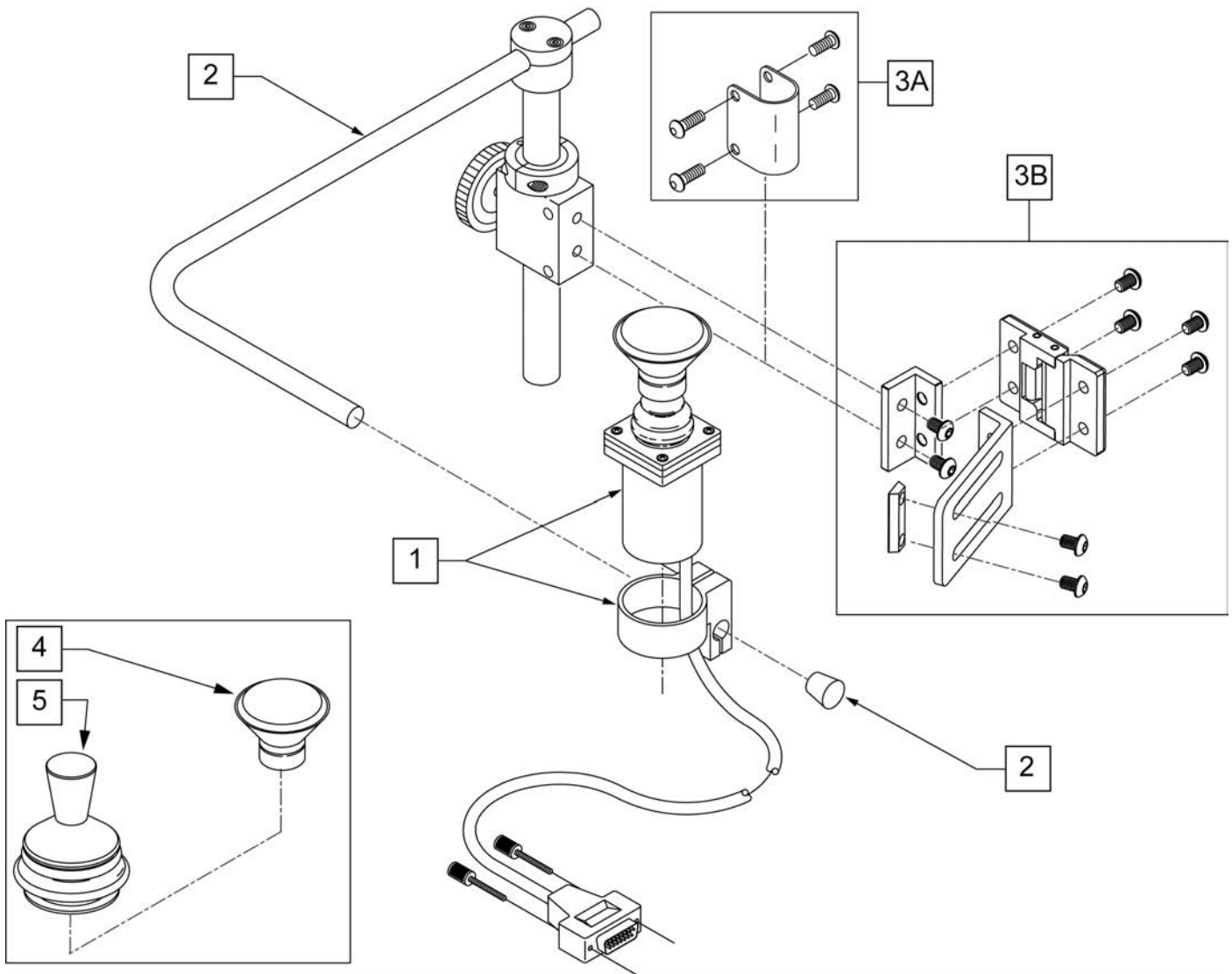
Pos.	Item Number	Description	Remarks
1	139510	JOYSTICK MINI W INTERFACE	
2	521617	MOUNT MINI JOYSTK TO 1/2" TUBE	
3	920904	MOUNT RESET SW FOR 7/8 TUBE	
3,4	521619	RESET SWITCH W BRACKET UNIV	
4	139915	RESET SWITCH EGG SHAPED	
5	111190	MOUNT ARM DISPLAY	
6	521097	ADJ DISPLAY ARM "L" (USCM/OMNI)	
7	560307	ADJ DISPLAY ARM CAP (USCM/OMNI)	
8A	012433	CNTRL ARM CLMP UNIVERSAL ASSM	Trad Rehab Seating Armrest
8B	108866	CNTRLR CLMP ARM KIT RND	ASAP Seating Armrest
9	551001	CONTROLLER MOUNT BLOCK	USED w/ 8A on Power Recline Armrest
10	011049	HANDLE ADJ MODERN M5 X 20 STUD	
11	349024	HNDL 10-32 X 3/4 C/A P1/P3/P5	





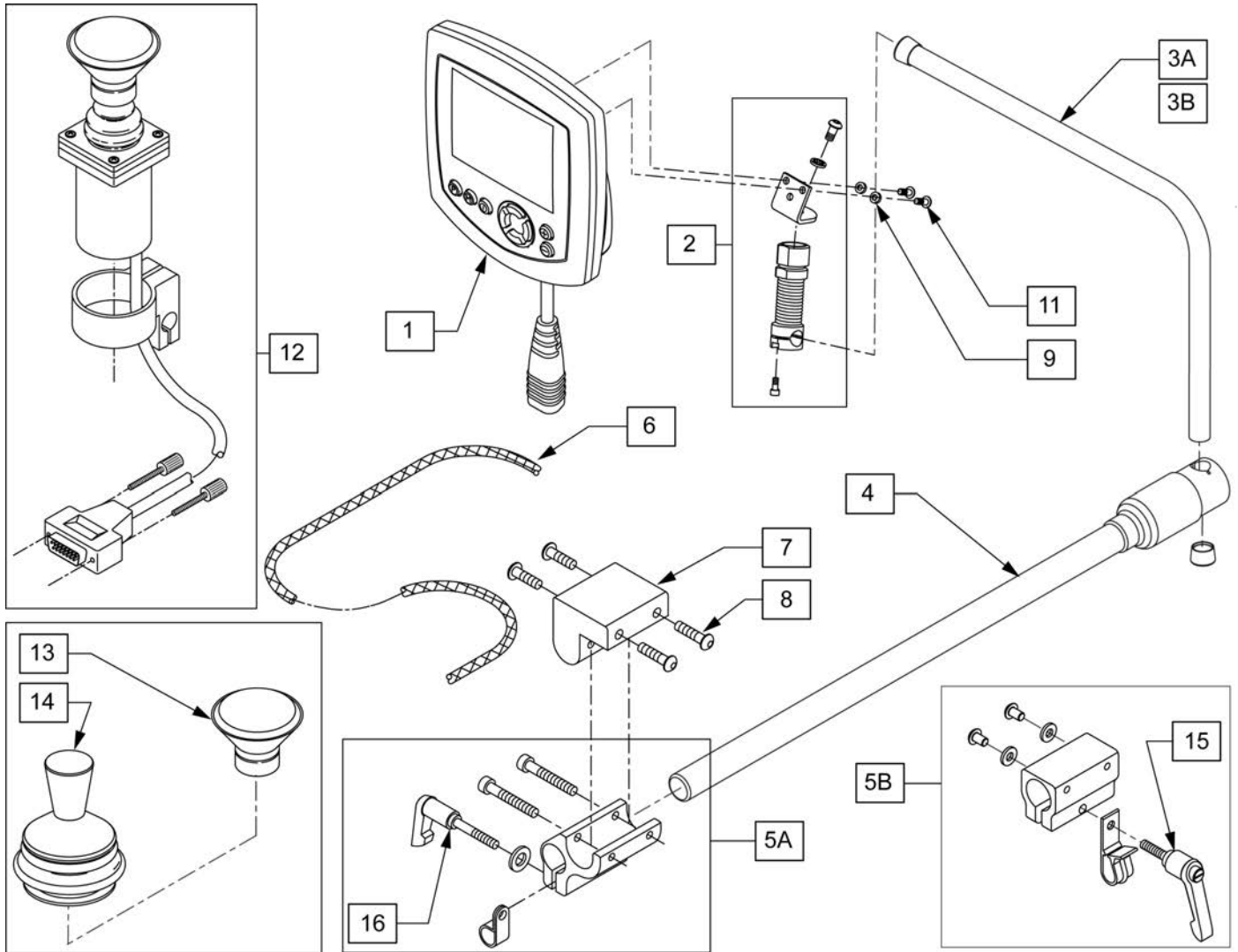
Pos.	Item Number	Description	Remarks
1A	139897	HEAD ARRAY SWITCH IT PED	Peds
1B	139898	HEAD ARRAY SWITCH IT STD	Std/Adult
2	MC100-WB	COVER 3/4"COLLAR/VINYL BLACK	
3	221010	10-32 X .75 SHCS BLK W/PL	
4	107348	SHCS 1/4-28 X 5/8 PL ROHS	
5	104907	TOP COLLAR FLANGE WELDM	
6	MW027100	COL HALF RAD 3/4"THREADED BLK	
7A	LX7000	LINX CORE MOUNT HDW	10" POST
7B	LX8000	LINX CORE MNTG HDW 8"	8" POST
8A	112717	CLAMP HEADREST SMART SEAT	Used w/ Power Recline Only
8B	112716	CLAMP HEADREST RIGID BACK	Used w/ Trad Rehab Back Only
8C	111902	HDRST CLMP ASSY .875 ID KIT	Used w/ Curved, JAY SPO, and ART SPO Backrest
8A,8B,8C	115057	UNIVERSAL HEAD MNT KIT	
1B-7A,8A,8B,8C	115067	RNET A-SWCHIT 10" POST KIT	
1B-7B,8A,8B,8C	115066	RNET A-SWCHIT 8" POST KIT	
1A-7A,8A,8B,8C	115069	RNET P-SWCHIT 10" POST KIT	
1B-7B,8A,8B,8C	115068	RNET P-SWCHIT 8" POST KIT	

<b>Pos.</b>	<b>Item Number</b>	<b>Description</b>	<b>Remarks</b>
1B-6	108641	SWITCH-IT HEAD ARRAY PCKG ADLT	Std/Adult
1A-6	108642	SWITCH-IT HEAD ARRAY PCKG PED	Peds

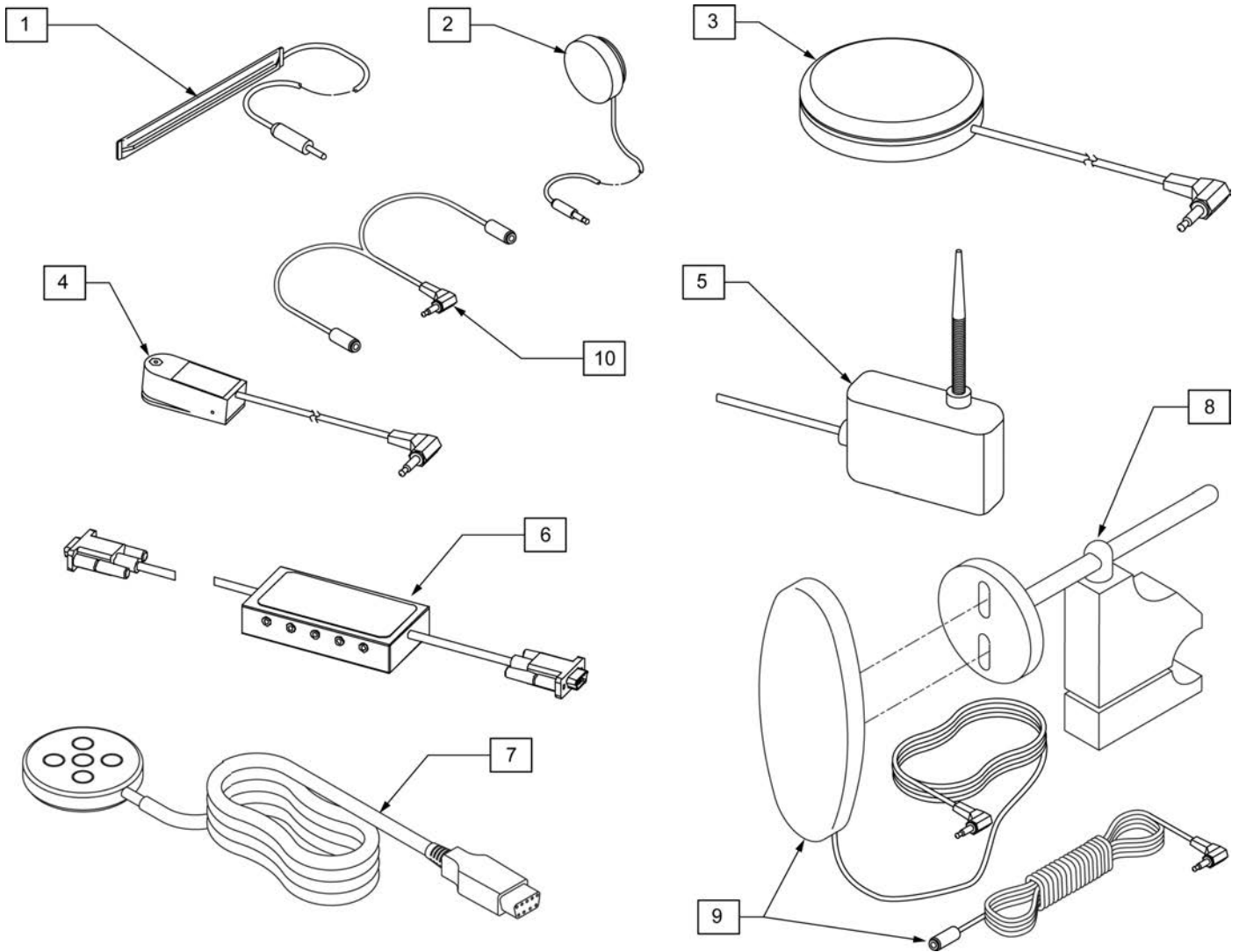


Pos.	Item Number	Description	Remarks
1	139705	ACT JOYSTICK PROP KNOB OR CHIN	
2,3A	D3150-3	AMH S/A MNTG KIT B/R 1" 3185	
3B	108841	S/A SIDE MOUNTING KIT	ASAP only
4	D4000	CHINCUP QTRONIX	
5	138154	KNOB & PROTECTOR D10AB JOYSTICK	
1-5	115076	PROP CHIN CONTROL KIT	Includes 3A & 3B

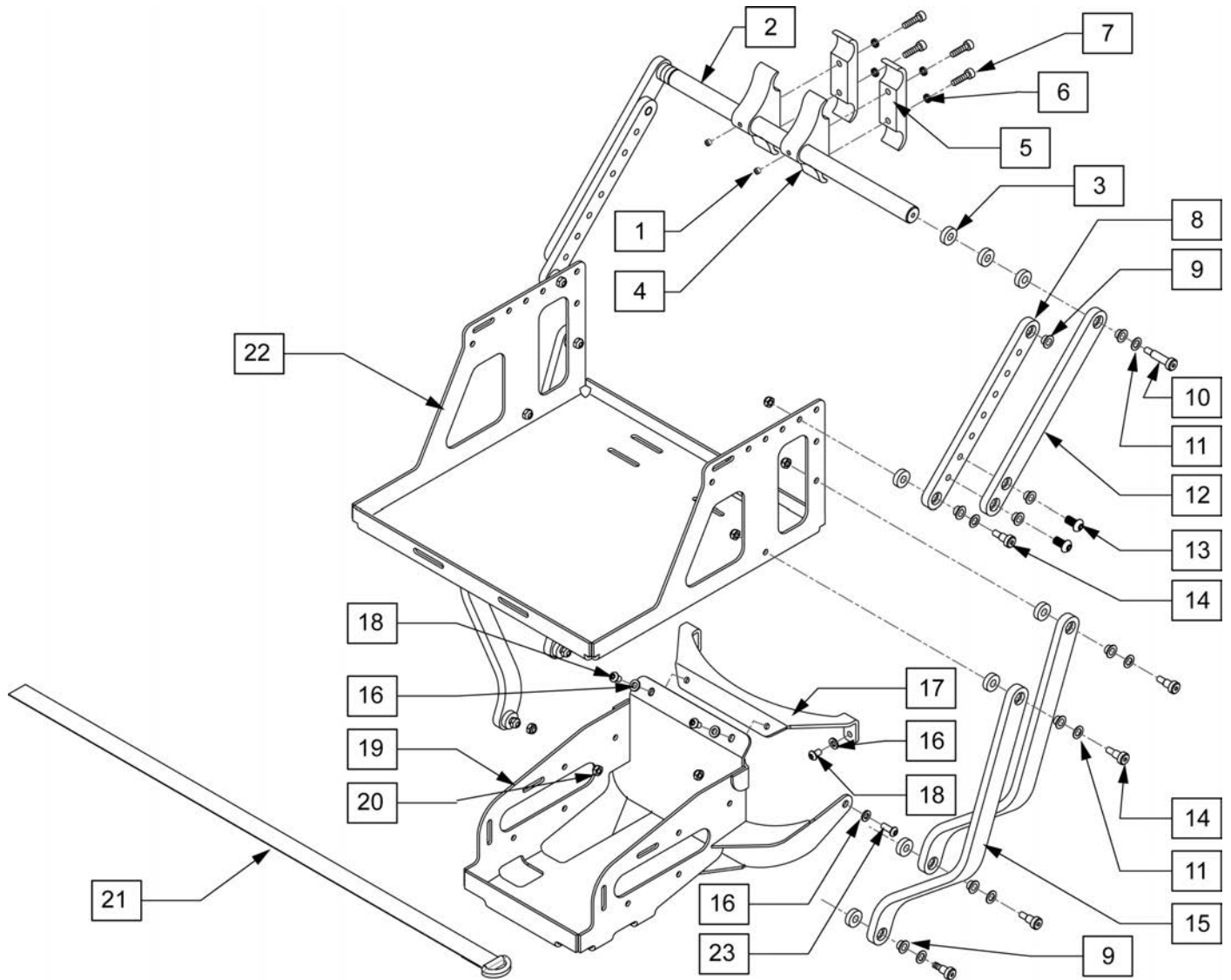
**NOTE:** JOYSTICK POST (ITEM 12) ACCEPTS JOYSTICK KNOBS THAT HAVE A 3/16" DIAMETER MATING HOLE.



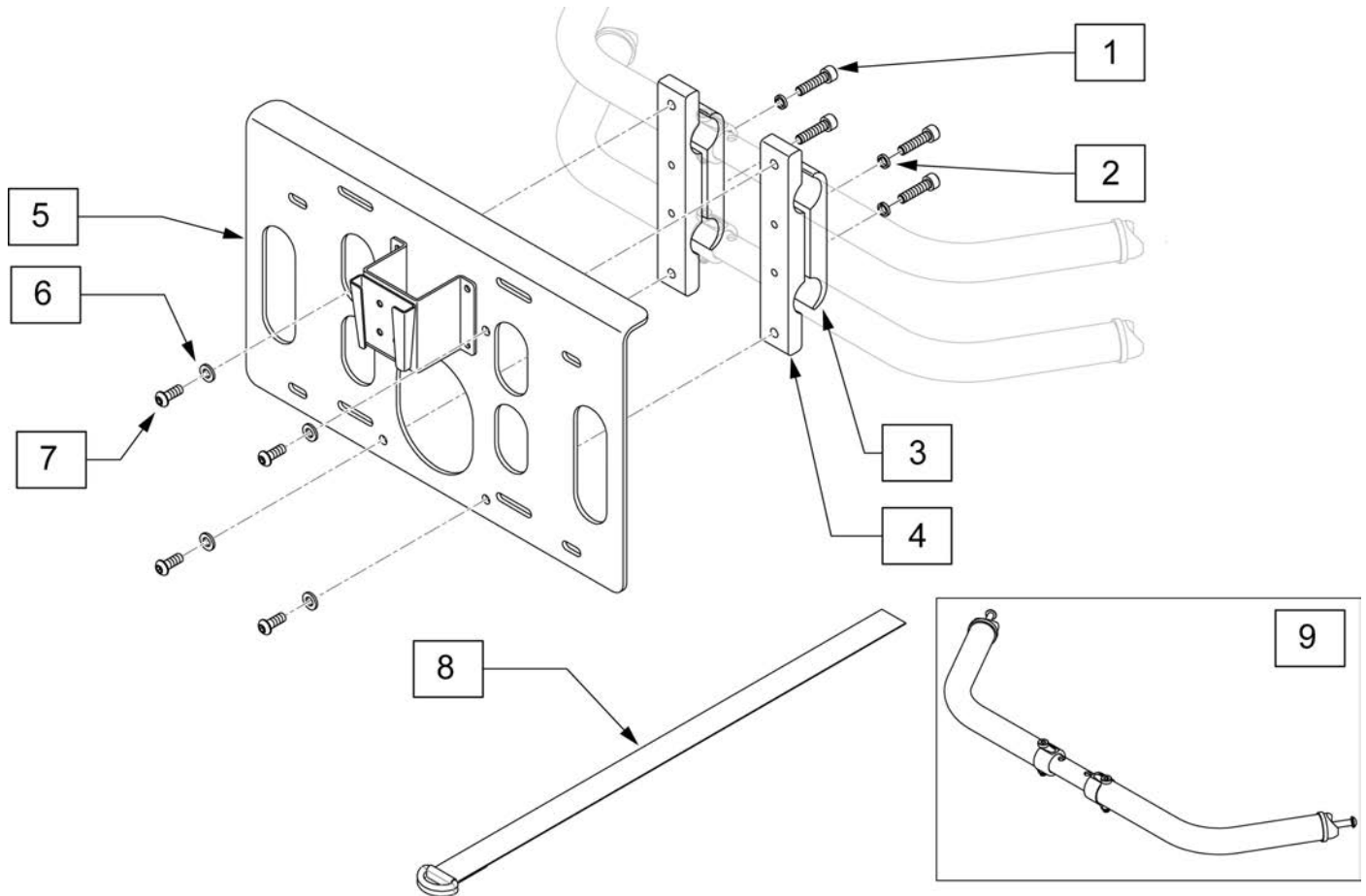
Pos.	Item Number	Description	Remarks
1	113220	MDLE SPCLTY INPT OMNI IR W/FER	
2	886976	USCM SPRING MOUNT AS	
3A	521098	ADJ DISPLAY ARM "L"SHORT(USCM)	Used w/ OMNI only
3B	521097	ADJ DISPLAY ARM "L" (USCM)	Used w/ OMNI & Compact Joystick
4	111190	MOUNT ARM DISPLAY	
5A	012433	CNTRL ARM CLMP UNIVERSAL ASSM	Used w/ Trad Rehab Armrest
5B	108866	CNTRLR CLMP ARM KIT RND	Used w/ ASAP Seating Armrest
6	180351	BRAIDED SLEEVING 24"	
7	551001	CONTROLLER MOUNT BLOCK	USED w/ 5A on Power Recline
8	222297	10-24 X 3/8 SOC BH C/S W/PTCH	
9	261204	#10 AN WASHER .063	
11	013143	BHCS M5 X .8 X 14 BLK W/PL	
12	139705	PROP CHIN CONTROL W/ MINI JS	
13	D4000	CHINCUP QTRONIX	
14	138154	KNOB&PROTECTOR D10AB JOYSTICK	
15	011049	HANDLE ADJ MODERN M5 X 20 STUD	
16	349024	HNDL 10-32 X 3/4 C/A P1/P3/P5	
1 -3A,4,9,11	110834	OMNI MNT ASSEMBLY	



Pos.	Item Number	Description	Remarks
1	133721	SWITCH RIBBON	Cord length 63"
2	133722	SWITCH DISC	Cord length 69"
3	139920	SWITCH BUDDY BUTTON RED	Cord length 57"
4	139921	MICRO LIGHT	Cord length 58"
5	139910	SWITCH WOBBLE	Cord length 68"
6	Discontinued	SWITCH CA-5 BOX	Cord length (female cable 63")(male cable 6")
7	Discontinued	SWITCH PENTA	Cord length 63"
8	920904	MOUNT RESET SW FOR 7/8 TUBE	Clamps to 7/8" tubing
9	139915	RESET SWITCH EGG SHAPED	Cord length 51"(Ext 71")
10	105417	STEREO TO 2 MONO SPLITTER	Cord length 6"



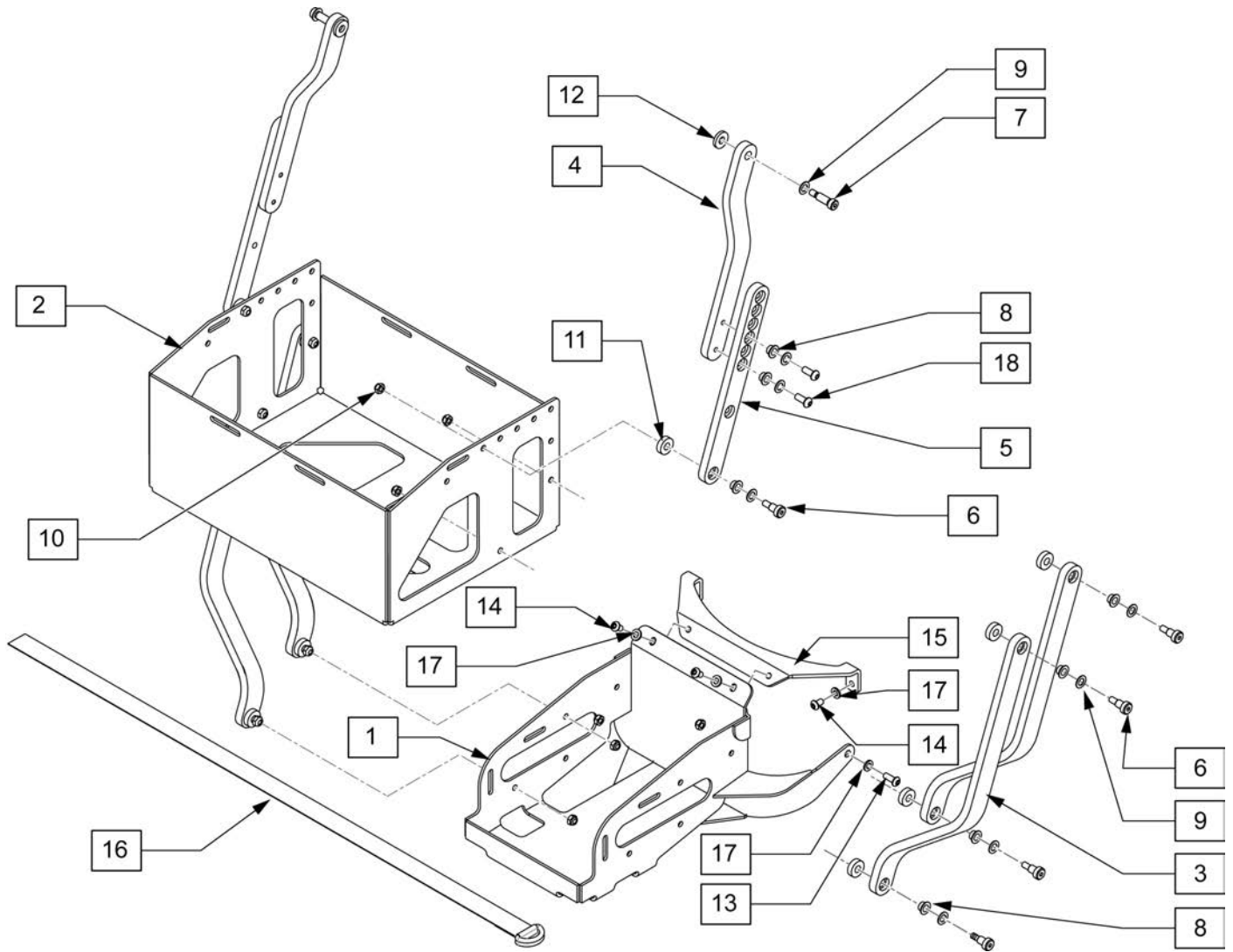
Pos.	Item Number	Description	Pos.	Item Number	Description
1	011710	SCREW, SET,M6 X 1 X 4	13	230120-000	BHCS M8 X 1.25
2	502292	VENT TRAY PIVOT BAR	14	011336	SHLDR SCRW,8MM OD X 10MM LG
3	561112	3/4 OD X .318 ID	15	502282	LOWER VENT
4	502293	VENT TRAY PIVOT CLAMP THRD	16	250104	WASHER, FLAT,M6
5	502294	VENT TRAY PIVOT CLAMP RECESS	17	117072	R2 VENT SUPPORT BRACKET
6	262114	1/4 WASHER HI COLLAR LOCK ZN	18	230052	M6 X 16 BHCS
7	102263-003	SHCS, M6X1X25, FULL, PL INORG	19	116391	PLATE, BASE VENT TRAY
8	117998	UPPER VENT TRAY LINK ADJ	20	210084	NUT HEX NYLOCK M6 BLK
9	560249	5/16 ID X 1/4 IGLIDE	21	011404-000	BATTERY STRAP, CINCH
10	011709	SHLDR SCRW, 8MM OD X 25MM LG	22	502275-000	VENT TRAY 626
11	263110-QU	5/16 AN WASHER FLAT THIN	23	230032	M6 X 16 BUTTON
12	502283	UPPER VENT TRAY LINK	1-23	116565	VENT/BATTERY TRAY RHB ST R2



Pos.	Item Number	Description	Remarks
1	102263-003	SHCS, M6X1X25, FULL, PL INORG	
2	262114	1/4 WASHER HI COLLAR LOCK ZN	
3	502294	VENT TRAY PIVOT CLAMP RECESS	
4	502313	CLAMP PIVOT VENT TRAY SMALL	
5	101862	VENT TRAY PLATE MNT ASSM SML	
6	250104	WASHER, FLAT,M6	
7	230032	M6 X 16 BHCS	
8	011404-002	VENT STRAP, CINCH	
9	118614	TOWEL BAR ASSY 18-22D	DEEP
9	118637	TOWEL BAR ASSY 16-20D	DEEP
9	118600	TOWEL BAR ASSY 18-22S	SHALLOW
9	118633	TOWEL BAR ASSY 16-20S	SHALLOW
9	118645	TOWEL BAR ASSY 12-16S	SHALLOW
9	118646	TOWEL BAR ASSY 10-13S	SHALLOW
1-9	116566	VENT/BATTERY TRAY REHAB FIXED	

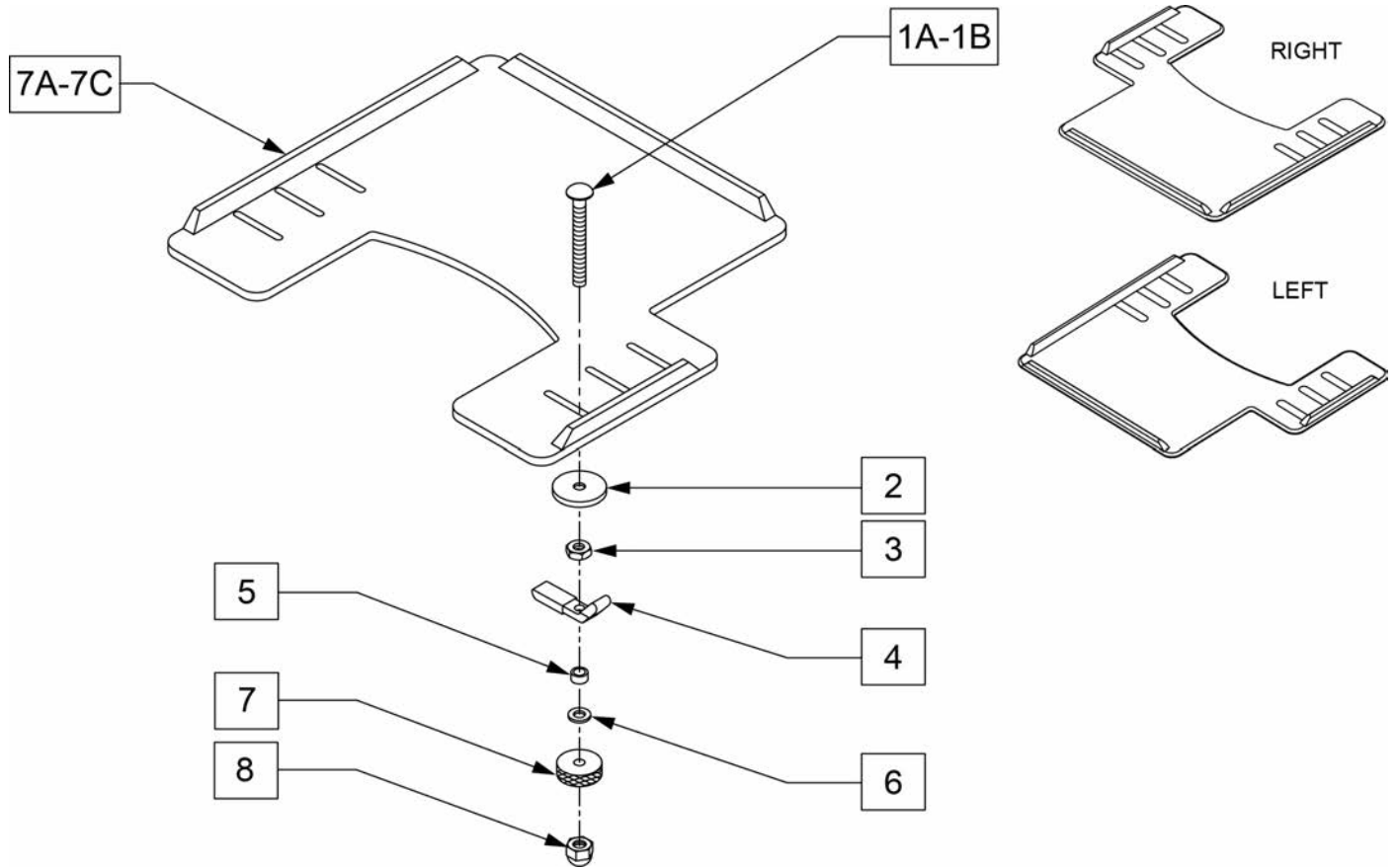


Note: Articulating Vent Tray for S/N QM710A, QM715A & QM720A is not a standard option. Please contact Built 4 Me.



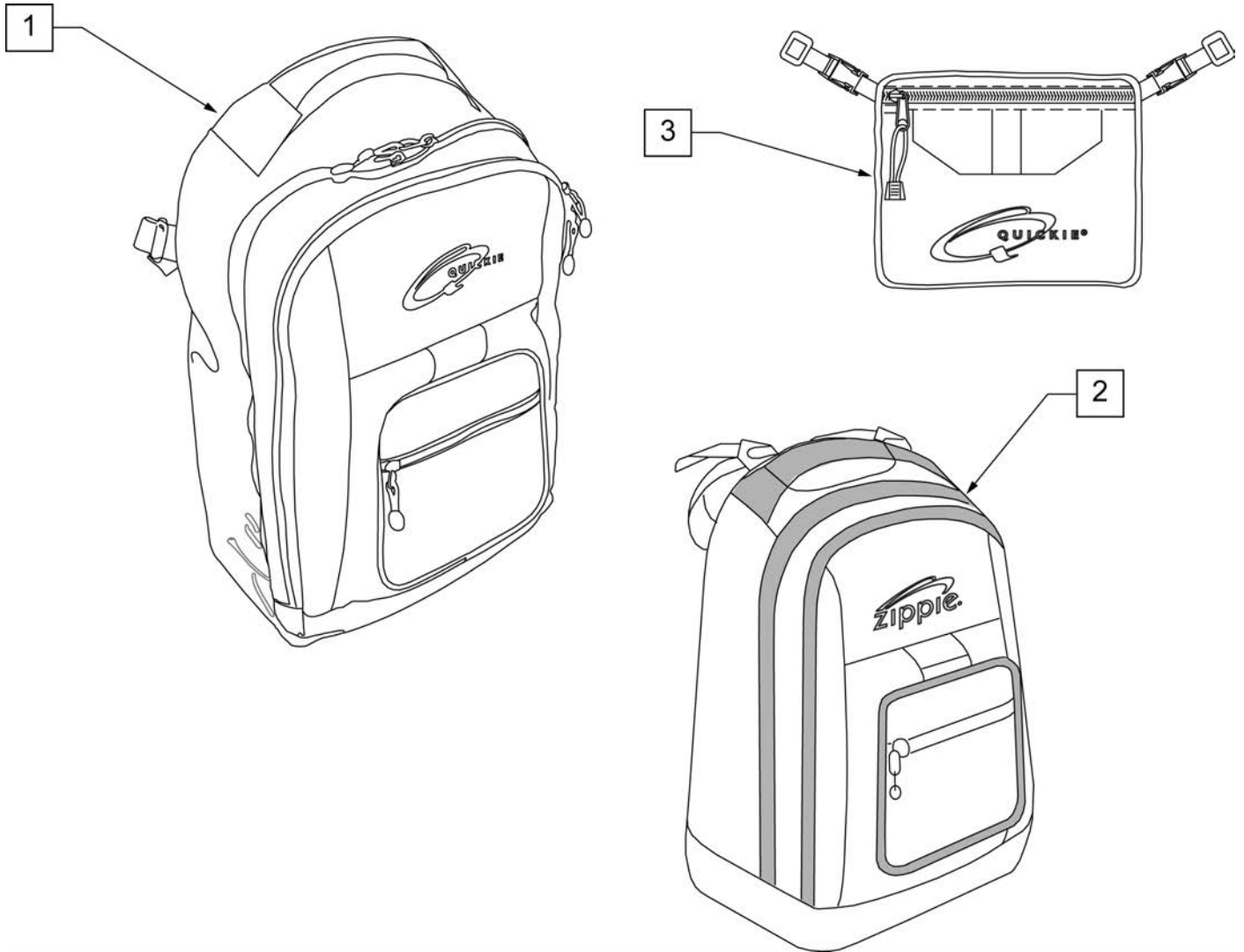
Pos.	Item Number	Description	Pos.	Item Number	Description
1	116391	PLATE, BASE VENT TRAY	11	561112	3/4 OD X .318 ID
2	103208	VENT TRAY UPRIGHT	12	561059	WASHER OD 3/4" ID 0.318"
3	502282	LOWER VENT TRAY LINK	13	230032	M6 X 16 BUTTON
4	502281	LINK VENT TRAY UPPER	14	230052	M6 X 10 BUTTON
5	500229	UPPER VENT TRAY LINK	15	117072	R2 VENT SUPPORT BRACKET
6	11336	SHLDR SCRW,8MM OD X 10MM LG	16	011404-001	BATTERY STRAP, CINCH
7	223116	5/16 X .75 SHLDR BOLT	17	250104	WASHER, FLAT,M6
8	560249	5/16 ID X 1/4 IGLIDE	18	226333	1/4-20 X 5/8 BHCS W/PATCH
9	263110-QU	5/16 AN WASHER FLAT THIN	1-18	116564	VENT/BATTERY TRAY PWR RCL
10	210084	NUT HEX NYLOCK M6 BLCK			

**NOTE:** WHEN ADDING A TRAY TO AN EXISTING CHAIR WITH DESK OR FULL LENGTH ARM PADS, ADD 1" TO CURRENT SEAT WIDTH TO ACHIEVE THE BEST TRAY SIZE.

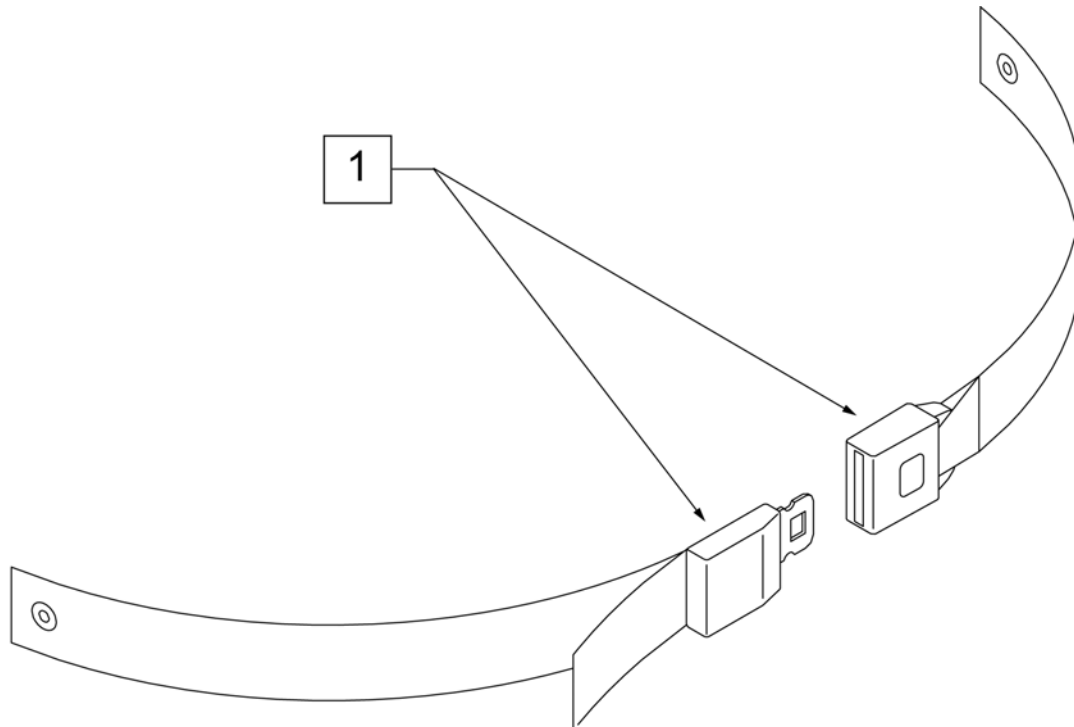


Pos.	Item Number	Description	Remarks
1A	226199	5/16-18" x 3 1/2" CARR BOLT	
1B	119164	5/16-18 X 6" CARRIAGE BOLT	
2	263112	5/16 WASHER FENDER	
3	202110	5/16-18" NUT THIN	
4	550400	TRAY CLAMP	
5	481013	BEARING SPACER	
6	263100	5/16" AN WASHER FLAT	
7	483026	KNURLED TRAY KNOB	
8	202112	5/16-18" ACORN NUT	
7A	562625	TRAY TOP W/RAIL SM PWR (12"-13")	Right-Cutout fits 12"-13" wide chairs
7B	562626	TRAY TOP W/RAIL MED PWR (14"-16")	Right-Cutout fits 14"-16" wide chairs
7C	562627	TRAY TOP W/RAIL LRG PWR (17"-20")	Right-Cutout fits 17"-20" wide chairs
7A	118094	TRAY TOP W/RAIL SM PWR LH	Left-Cutout fits 12"-13" wide chairs
7B	118095	TRAY TOP W/RAIL MED PWR LH	Left-Cutout fits 14"-16" wide chairs
7C	118096	TRAY TOP W/RAIL LG PWR LH	Left-Cutout fits 17"-20" wide chairs
1A-8	881051	TRAY HDWR KIT TUFFAK NEW STYLE (9QH)	Pair - Fits ASAP seat
1B-8	119763	TRAY HDWR KIT TUFFAK CPT SEAT	Pair - Fits Captains Seat

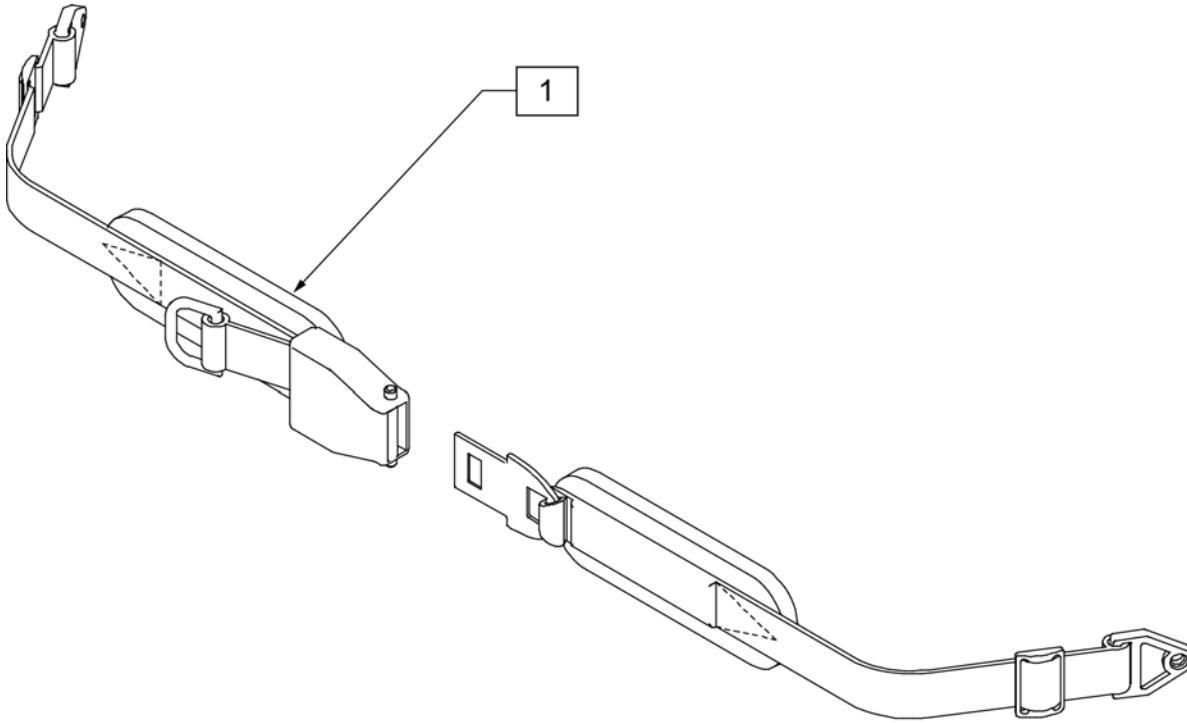
NOTE: KIDS BACKPACKS DO NOT HAVE ADJUSTABLE STRAPS W/ BUCKLES.



Pos.	Item Number	Description
1	750115	BACK PACK QUICKIE
2	104572	BACKPACK ZIPPIE
3	750307	SEAT POUCH QUICKIE

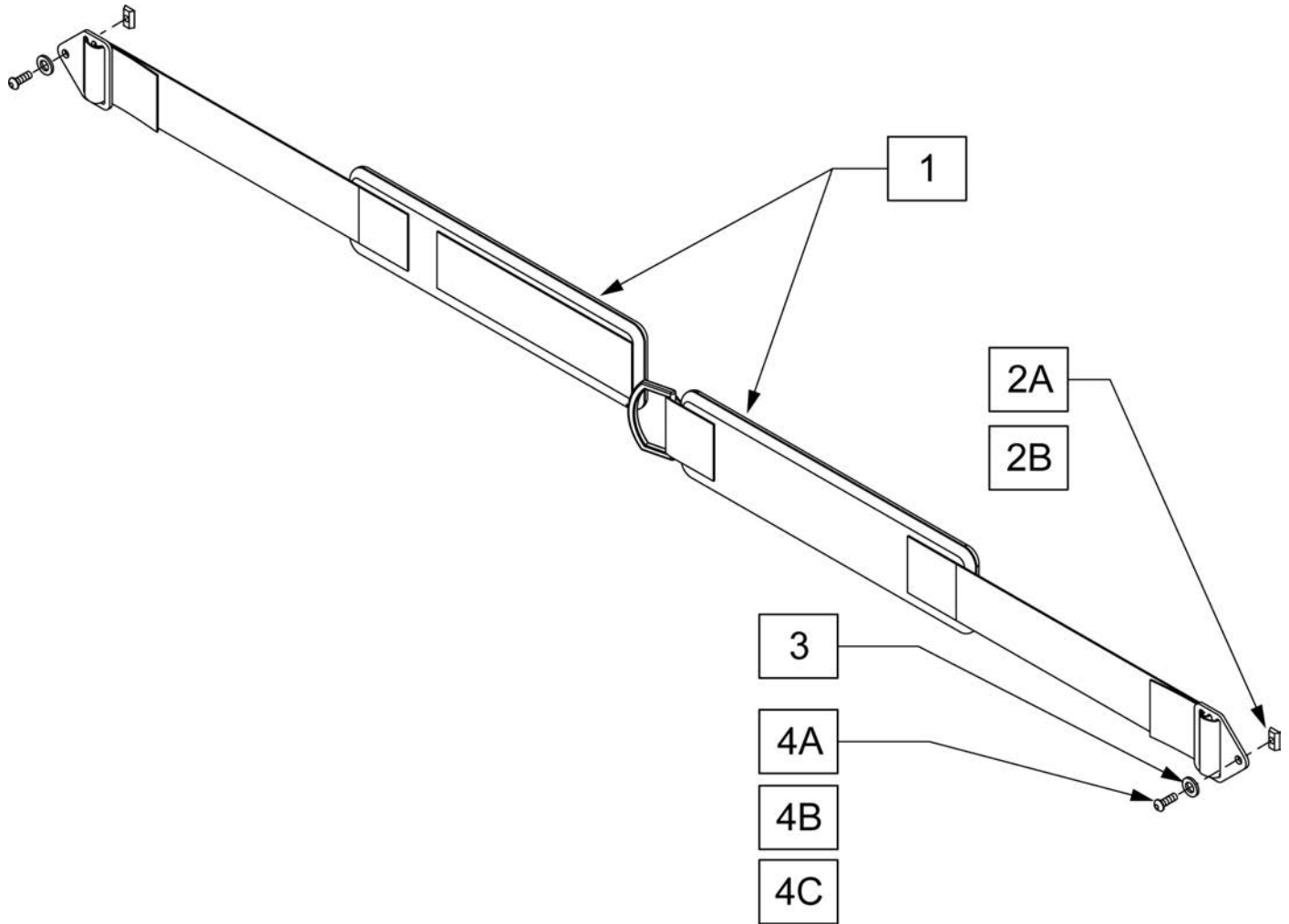


Pos.	Item Number	Description	Remarks
1	750276	1 1/2" POSITION BELT	AUTOSTYLE-64" Max length of belt.



Pos.	Item Number	Description
1	450418-QU	BELT 2" AIRCRAFT BUCKLE
1	450423-QU	BELT 2" AIRCRAFT BUCKLE W/PAD
1	450424	BELT 2" AIRCRAFT BKL LONG W/PAD
1	450425	BELT 2" AIRCRAFT BKL LONG
1	450419-QU	BELT 2" AIRCRAFT BKL W/QUAD LP
1	468419	BELT 2" AIRCRT BKL W/QD LPCZ

Note: Chest strap is 2" wide and will adjust from 53" to 30" long.



Pos.	Item Number	Description	Remarks
1,2A,3,4A	106429	CHEST STRAP 2" VELCRO CLOSURE	Used w/SPO Backrest only
2B	010065	M6 CHANNEL NUT	Used w/Trad Rehab and Power Recline only
3	250104	WASHER FLAT M6	Used w/Trad Rehab and Power Recline only
4A	226060	1/4-20 X 3/8 BHCS	Used w/SPO Backrest only
4B	226074	1/4-20 X 1/2 SOC C/S	Used w/Curved Backrest only
4C	102262-001	BHCS M6X1X8 FULL PL	Used w/Trad Rehab and Power Recline only
1,4B	112713	CHEST STRAP 2" CURVED BACK	Used w/Curved Backrest only
1,2B,3,4C	112714	CHEST STRAP 2" TRAD BACK	Used w/Trad Rehab and Power Recline only