

## **r.LiNK-Interface**

### **RL-RNSE**

#### **Rear-view camera-input compatible with navigation systems Audi Navi Plus RNS-E**

**Only for vehicles WITHOUT factory rear-view camera**

## Contents

### 1. Prior to installation

- 1.1. Delivery contents
- 1.2. Check compatibility of vehicle and accessories

### 2. Connection schema

### 3. Installation

- 3.1. Interconnecting Interface-box, harness and head-unit
- 3.2. Connection to after-market rear-view camera

### 4. Specifications

### 5. Technical Support

## Legal Information

By law, watching moving pictures while driving is prohibited, the driver must not be distracted. We do not accept any liability for material damage or personal injury resulting, directly or indirectly, from installation or operation of this product. This product should only be used while standing or to display fixed menus or rear-view-camera video when the vehicle is moving, for example the MP3 menu for DVD upgrades.

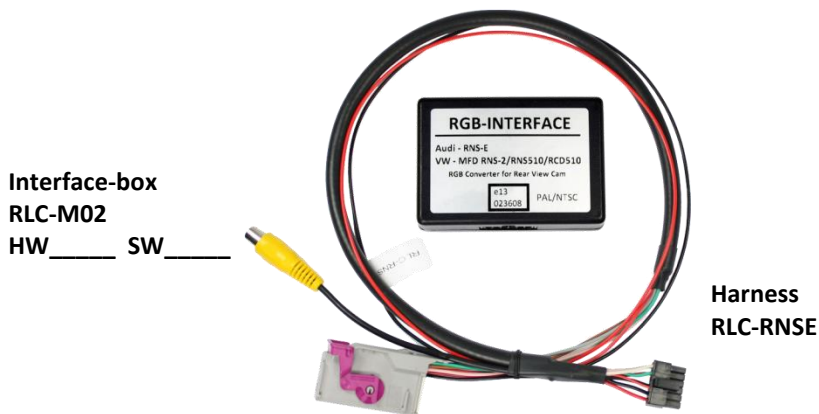
Changes/updates of the vehicle's software can cause malfunctions of the interface. We offer free software-updates for our interfaces for one year after purchase. To receive a free update, the interface must be sent in at own cost. Labor cost for and other expenses involved with the software-updates will not be refunded.

## 1. Prior to installation

Read the manual prior to installation. Technical knowledge is necessary for installation. The place of installation must be free of moisture and away from heat sources.

### 1.1. Delivery contents

*Take down the SW-version and HW-version of the interface boxes, and store this manual for support purposes.*



### 1.2. Check compatibility of vehicle and accessories

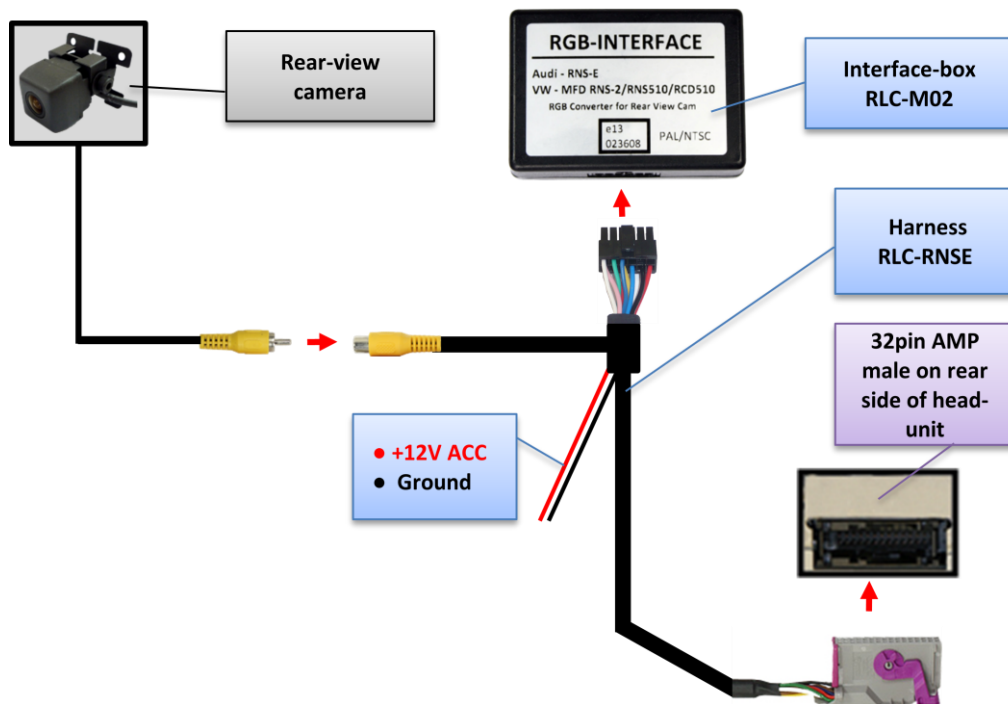
#### Requirements

*Vehicle* Audi, Lamborghini  
*Navigation* Audi Navi Plus RNS-E all-in-one navigation 16:9

#### Limitations

*Factory-TV-tuner* Must NOT be installed.  
*Coding* The head-unit must be coded to rear-view camera per diagnosis computer (Only possible on RNS-E with minimum software 550 and till year 2010; not possible on Lamborghini).  
*After-market rear-view camera* Only compatible with NTSC-cameras.

## 2. Connection schema

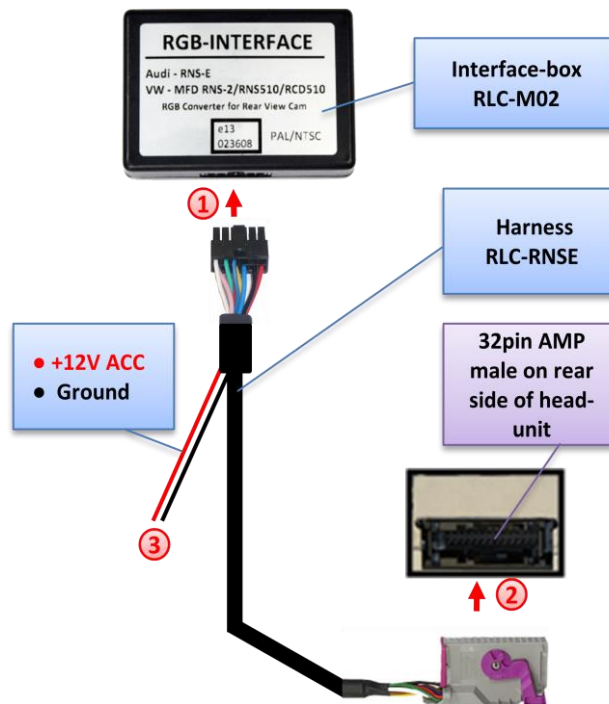


## 3. Installation

**Switch off ignition and disconnect the vehicle's battery! If according to factory rules disconnecting the battery has to be avoided, it is usually sufficient to put the vehicle in sleep-mode. In case the sleep-mode does not show success, disconnect the battery with a resistor lead.**

Place of installation is behind the head-unit.

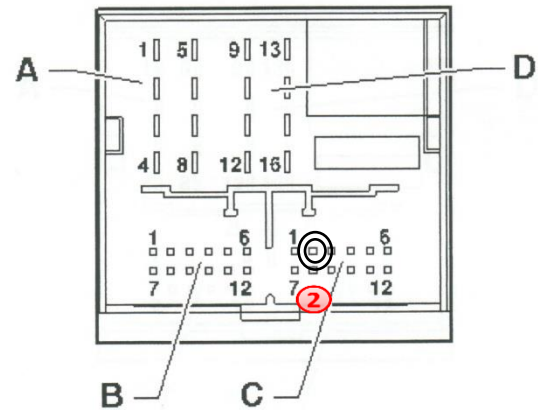
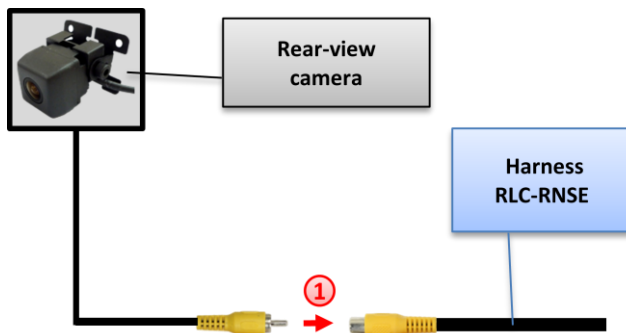
### 3.1. Interconnecting Interface-Box, harness and head-unit



- ① Plug harness RLC-RNSE into 12pin Molex of Interface-box RLC-M02.
- ② Plug female 32pin AMP connector of RLC-RNSE into male 32pin AMP-connector of head-unit.
- ③ Connect red cable of harness RLC-RNSE to +12V reverse gear light (we suggest to connect through relais to avoid signal noise) and black cable of harness RLC-RNSE to ground.

**Note:** If the 32pin AMP-socket of the head-unit is already occupied, the vehicle probably has a factory rear-view camera or a factory TV-tuner. In case of a factory tuner, it must be uninstalled: disconnect the female 32pin AMP-connector of the factory harness and disconnect all wires from the factory TV-tuner. In case of a factory rear-view camera you have ordered/received the wrong product, call for support.

### 3.2. Connections to after-market rear-view camera



- ① Connect the video RCA of the after-market rear-view camera to female RCA connector of harness RLC-RNSE.
- ② Connect pin 2 of chamber C of the Quadlock to reverse gear light (+12V) (White cable included).


**Note:** Only compatible with NTSC-cameras.

The head-unit must be coded to rear-view camera per diagnosis computer (Only possible on RNS-E with minimum software 550 and till year 2010; not possible on Lamborghini).

If coding is done by diagnosis PC, code "match" rear-view camera to value 1 in channel 04, controller 56. After coding the vehicles needs to be locked for at least 66 minutes to reach general sleep mode.

## 4. Specifications

Operation voltage	10.5 – 14.8V DC
Stand-by power drain	0mA
Operation power drain	200mA
Power consumption	2.8W
Temperature range	-30°C to +80°C
Weight	53g
Measurements (box only) B x H x T	72 x 23 x 50mm

CE  12V DC

## 5. Technical Support

**Caraudio-Systems Vertriebs GmbH**  
***manufacturer/distribution***  
In den Fuchslöchern 3  
D-67240 Bobenheim-Roxheim

email [support@caraudio-systems.de](mailto:support@caraudio-systems.de)

**Legal disclaimer:** Mentioned company and trademarks, as well as product names/codes are registered trademarks ® of their corresponding legal owners.