



Window Air Conditioner
Cooling & Heating
Available in 8 & 12K BTU
Fits Standard Double Hung Windows

Specifications

Voltage (Unit Specific)	115 or 230/208 VAC
Frequency	60 Hz
Plug	Prewired LCDI NEMA Type
Control Panel	Digital Display & Interface
Temperature Display	Fahrenheit or Celsius
ON/Off Timer Settings	Up to 24 Hours
Fan Speeds	High, Medium & Low
Refrigerant	Eco-Friendly R-410A
Filter	Reusable
Directional Air Louvers	4-Way Manual Control
Wireless Remote	Included
Installation Hardware	Included

Mode Selection

Choose between fan, cooling, heating, dehumidifying & automatic operation.

Sleep Feature

Slowly increases room temperature by 4°F when activated and returns to the original temperature setting after 7 hours.

Energy-Saver Feature

Optimally manages system operation to minimize power consumption.

Follow-Me Feature

Automatically adjusts thermostatic performance based on location of the remote.

Check Filter Indicator

Filter light illuminates to notify when the filter needs to be cleaned or replaced.

Auto Restart

If power loss occurs, the system will automatically resume operation based on previous settings.

Optimal Conditions for Cooling

- Outdoor Temperature: 64-109°F
- Indoor Temperature: 62-90°F

Optimal Conditions for Heating

- Outdoor Temperature: 23-76°F
- Indoor Temperature: 32-80°F

Certifications

- C-UL-US

Warranties

- 2-Year Limited Warranty on Entire Unit
- 5-Year Limited Warranty on Sealed System





NEMA Receptacle Configuration.



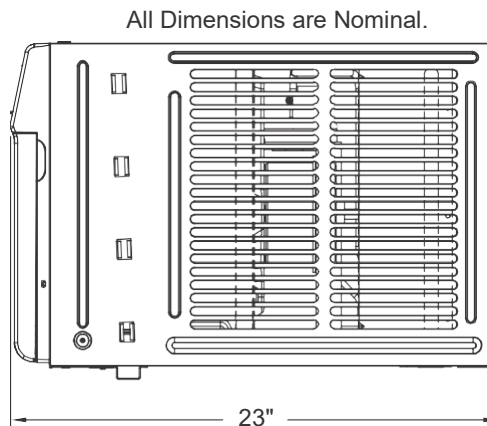
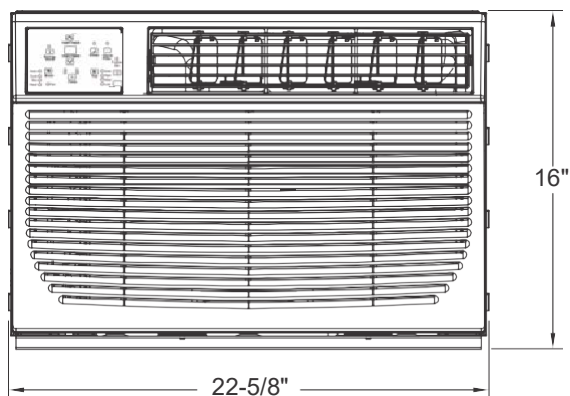
5-15P



6-20P

For Compatibility, Match to NEMA Plug.

Garrison Model #	2477801	2477802
Cooling Performance		
Capacity (BTU/Hr)	8,000	12,000/11,600
Current	6.3 A	5.0/5.2 A
Input Power	734 W	1,100/1,064 W
Refrigerant Charge Amount	13.4 Oz.	22.22 Oz.
Design Pressure (High/Low)	520/300 PSIG	520/300 PSIG
Heating Performance		
Capacity (BTU/Hr)	3,500	11,000/8,500
Current	11.6 A	16/14.5 A
Input Power	1,200 W	3,450/2,821 W
General Specifications		
EER	10.9	10.9
Airflow CFM (H/M/L)	277/252/219	279/255/223
Room Area	300-350 Ft. ²	450-550 Ft. ²
Max. Indoor Sound Level	58 dBA	61 dBA
Dehumidification Rate	1.9 Pt./Hr	2.5 Pt./Hr
Electrical Specifications		
Voltage	115 VAC	230/208 VAC
Frequency	60 Hz.	60 Hz.
NEMA Plug Configuration	5-15P	6-20P
Power Cord Length	7 Ft.	6-1/2 Ft.
Dimensions		
Net Weight	71 Lbs.	84 Lbs.
Window Opening Width	26-7/8" to 36"	26-7/8" to 36"
Window Opening Height	16-1/2" Min.	16-1/2" Min.





Window Air Conditioner
Cooling Only
 Available in 8, 10 & 12K BTU
 Fits Standard Double Hung Windows
 2019 ENERGY STAR® Certified

Specifications

Voltage	115 VAC
Frequency	60 Hz
Plug	Prewired LCDI NEMA Type
Control Panel	Digital Display & Interface
Temperature Display	Fahrenheit or Celsius
Timer Settings	Up to 24 Hours
Fan Speeds	High/Medium/Low
Refrigerant	Eco-Friendly R-32
Filter	Reusable
Directional Air Louvers	4-Way Manual Control
Fresh Air Vent	Available on Some Models
Wireless Remote	Included
Installation Hardware	Included

Mode Selection

Choose between fan, cooling, dehumidifying & automatic operation.

Sleep Feature

Slowly increases room temperature by 4°F when activated and returns to the original temperature setting after 7 hours.

Energy Saver Feature

Optimally manages system operation to minimize power consumption.

Follow-Me Feature

Automatically adjusts thermostatic performance based on location of the remote.

Check Filter Indicator

Light illuminates to notify when the filter needs to be cleaned or replaced.

Auto-Restart

If power loss occurs, the system will automatically resume operation based on previous settings.

Optimal Conditions for Cooling

- Outdoor Temperature: 64-109°F
- Indoor Temperature: 62-90°F

Certifications

- CSA
- 2019 ENERGY STAR®
- CEC & DOE Listed

Warranties

- 2-Year Limited Warranty on Entire Unit
- 5-Year Limited Warranty on Sealed System

Accessories & Replacement Parts

- 2472207 - Replacement Remote Control (8k model use 2472208)



NEMA Receptacle Configuration.

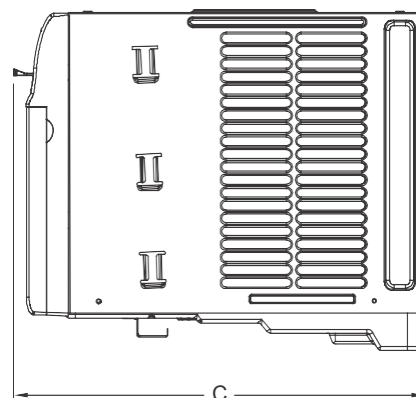
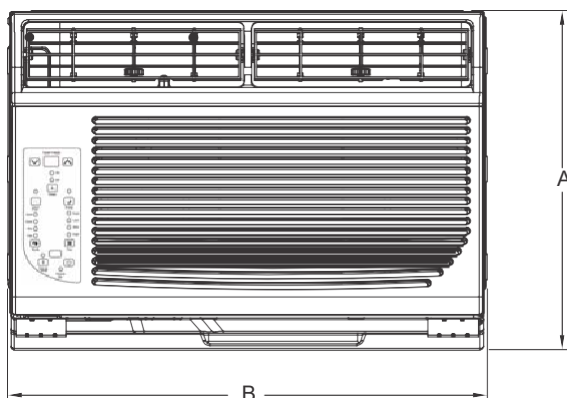


5-15P

For Compatibility, Match to NEMA Plug.

Garrison Model #	311410578	311410572	311410573
Cooling Performance			
Capacity (BTU/Hr)	8,000	10,000	12,000
Current	5.9 A	7.5 A	9.7 A
Input Power	667 W	835 W	1,000 W
Refrigerant Charge Amount	10.58 Oz.	12.35 Oz.	15.52 Oz.
Design Pressure (High/Low)	520/300 PSIG	520/300 PSIG	520/300 PSIG
General Performance			
EER	12	12	12
Airflow CFM (H/M/L)	196/166/149	300/266/240	300//270/244
Room Area	300-350 Ft. ²	400-450 Ft. ²	450-550 Ft. ²
Max. Indoor Sound Level	59 dBA	61 dBA	61 dBA
Dehumidification Rate	2.1 Pt./Hr	2.3 Pt./Hr	2.5 Pt./Hr
Fresh Air Vent Control	No	Yes	Yes
Electrical Specifications			
Voltage	115 VAC	115 VAC	115 VAC
Frequency	60 Hz.	60 Hz.	60 Hz.
NEMA Plug Configuration	5-15P	5-15P	5-15P
Power Cord Length	6-1/2 Ft.	6-1/2 Ft.	6-1/2 Ft.
Dimensions			
Net Weight	53 Lbs.	64 Lbs.	75 Lbs.
Window Opening Width	23" to 36"	23" to 36"	23" to 36"
Window Opening Height	14" Min.	15-1/2" Min.	15-1/2" Min.
A	13-1/2"	14-5/8"	14-5/8"
B	18-1/2"	19"	19"
C	15-3/4"	21-1/2"	21-1/2"

All Dimensions are Nominal.





**Window Air
Conditioner Cooling Only
5K BTU
Fits Standard Double Hung Windows**

Specifications

Voltage (Unit Specific)	115 VAC
Frequency	60 Hz
Plug	Prewired LCDI NEMA
Fan Speeds	High/Low
Refrigerant	Eco-Friendly R-32
Filter	Reusable
Directional Air Louvers	2-Way Manual Control
Installation Hardware	Included

Mode Selection

Choose between fan, cooling operation.

Easy Operation Feature

7 temperature settings, 2 cooling/2 fan only speeds.

Easy Installation

Install easily with minimal modification to the existing window frame.

Washable Filter

Light illuminates to notify when the filter needs to be cleaned or replaced.

Auto-Restart

If power loss occurs, the system will automatically resume operation based on previous settings.

Optimal Conditions for Cooling

- Outdoor Temperature: 64-109°F
- Indoor Temperature: 62-90°F

Certifications

- CSA
- CEC & DOE Listed

Warranties

- 2-Year Limited Warranty on Entire Unit
- 5-Year Limited Warranty on Sealed System

Accessories & Replacement Parts

- 2472207 - Replacement Remote Control



NEMA Receptacle Configuration.



5-15P

For Compatibility, Match to NEMA Plug.

Garrison Model #	311410574
Cooling Performance	
Capacity (BTU/Hr)	5,000
Current	4.6 A
Input Power	450 W
Refrigerant Charge Amount	6.17 Oz.
Design Pressure (High/Low)	520/300 PSIG
General Performance	
EER	11.1
Airflow CFM(H/L)	145/125
Room Area	100-150 Ft. ²
Max. Indoor Sound Level	60 dBA
Electrical Specifications	
Voltage	115 VAC
Frequency	60 Hz.
NEMA Plug Configuration	5-15P
Power Cord Length	6-1/2 Ft.
Dimensions	
Net Weight	35.27 Lbs.
Window Opening Width	23" to 36"
Window Opening Height	13" Min.

All Dimensions are Nominal.





**Window Air Conditioner
Cooling Only**

Available in 14.5K BTU

**Fits Standard Double Hung Windows
2019 ENERGY STAR® Certified**

Specifications

Voltage (Unit Specific)	115 or 230/208 VAC
Frequency	60 Hz
Plug	Prewired LCDI NEMA Type
Control Panel	Digital Display & Interface
Temperature Display	Fahrenheit or Celsius
Timer Settings	Up to 24 Hours
Fan Speeds	High/Medium/Low
Refrigerant	Eco-Friendly R-410A
Filter	Reusable
Directional Air Louvers	4-Way Manual Control
Wireless Remote	Included
Installation Hardware	Included

Mode Selection

Choose between fan, cooling, dehumidifying & automatic operation.

Sleep Feature

Slowly increases room temperature by 4°F when activated and returns to the original temperature setting after 7 hours.

Energy Saver Feature

Optimally manages system operation to minimize power consumption.

Follow-Me Feature

Automatically adjusts thermostatic performance based on location of the remote.

Check Filter Indicator

Light illuminates to notify when the filter needs to be cleaned or replaced.

Auto-Restart

If power loss occurs, the system will automatically resume operation based on previous settings.

Optimal Conditions for Cooling

- Outdoor Temperature: 64-109°F
- Indoor Temperature: 62-90°F

Certifications

- C-UL-US
- 2016 ENERGY STAR®
- CEC & DOE Listed

Warranties

- 2-Year Limited Warranty on Entire Unit
- 5-Year Limited Warranty on Sealed System

Accessories & Replacement Parts

- 2472207 - Replacement Remote Control





NEMA Receptacle Configuration.



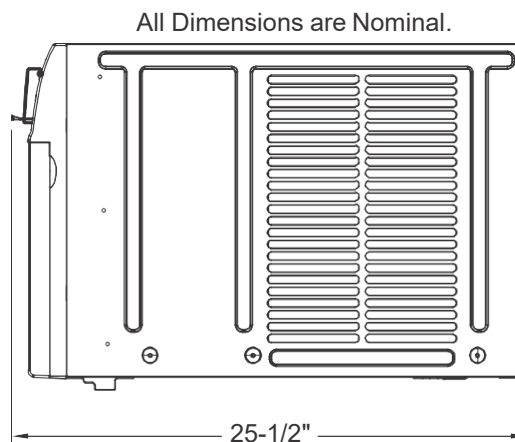
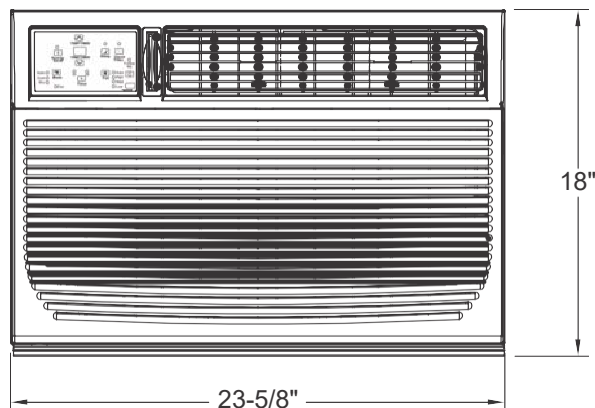
5-15P



6-15P

For Compatibility, Match to NEMA Plug.

Garrison Model #	311410577
Cooling Performance	
Capacity (BTU/Hr)	14,500
Current	11.5 A
Input Power	1,279 W
Refrigerant Charge Amount	28.2 Oz.
Design Pressure (High/Low)	520/300 PSIG
General Performance	
EER	11.8
Airflow CFM (H/M/L)	353/308/250
Room Area	550-700 Ft. ²
Max. Indoor Sound Level	56 dBA
Dehumidification Rate	3.2 Pt./Hr
Electrical Specifications	
Voltage	115 VAC
Frequency	60 Hz.
NEMA Plug Configuration	5-15P
Power Cord Length	6-1/2 Ft.
Dimensions	
Net Weight	104 Lbs.
Window Opening Width	26-1/2" to 40-1/2"
Window Opening Height	18-1/2" Min.





Window Air Conditioner
Cooling & Heating
Available in 18 & 25K BTU
Fits Standard Double Hung Windows
2015 ENERGY STAR® Certified

Specifications

Voltage	230/208 VAC
Frequency	60 Hz
Plug	Prewired LCDI NEMA Type
Control Panel	Digital Display & Interface
Temperature Display	Fahrenheit or Celsius
ON/Off Timer Settings	Up to 24 Hours
Fan Speeds	High, Medium & Low
Refrigerant	Eco-Friendly R-410A
Filter	Reusable
Directional Air Louvers	4-Way Manual Control
Fresh Air Vent	Yes
Wireless Remote	Included
Installation Hardware	Included

Mode Selection

Choose between fan, cooling, heating, dehumidifying & automatic operation.

Sleep Feature

Slowly increases room temperature by 4°F when activated and returns to the original temperature setting after 7 hours.

Energy-Saver Feature

Optimally manages system operation to minimize power consumption.

Follow-Me Feature

Automatically adjusts thermostatic performance based on location of the remote.

Check Filter Indicator

Filter light illuminates to notify when the filter needs to be cleaned or replaced.

Auto Restart

If power loss occurs, the system will automatically resume operation based on previous settings.

Optimal Conditions for Cooling

- Outdoor Temperature: 64-109°F
- Indoor Temperature: 62-90°F

Optimal Conditions for Heating

- Outdoor Temperature: 23-76°F
- Indoor Temperature: 32-80°F

Certifications

- C-UL-US
- 2015 ENERGY STAR®

Warranties

- 2-Year Limited Warranty on Entire Unit
- 5-Year Limited Warranty on Sealed System





NEMA Receptacle Configuration.



6-30P

For Compatibility, Match to NEMA Plug.

Garrison Model #	314790694	314790990
Cooling Performance		
Capacity (BTU/Hr)	18,500/18,200	25,000/24,700
Current	7.7/8.3 A	11.3/12.4 A
Input Power	1,729/1,701 W	2,660/2,628 W
Refrigerant Charge Amount	31.75 Oz.	33.7 Oz.
Design Pressure (High/Low)	520/300 PSIG	520/300 PSIG
Heating Performance		
Capacity (BTU/Hr)	16,000/13,000	16,000/13,000
Current	22.2/20 A	22.2/20 A
Input Power	4,800/3,925 W	4,800/3,925 W
General Specifications		
EER	10.7	9.4
Airflow CFM (H/M/L)	446/388/329	523/485/445
Room Area	700-1,000 Ft. ²	1,400-1,500 Ft. ²
Max. Indoor Sound Level	60 dBA	63 dBA
Dehumidification Rate	3.8 Pt./Hr	5.7 Pt./Hr
Electrical Specifications		
Voltage	230/208 VAC	230/208 VAC
Frequency	60 Hz.	60 Hz.
NEMA Plug Configuration	6-30P	6-30P
Power Cord Length	6-1/2 Ft.	6-1/2 Ft.
Dimensions		
Net Weight	117 Lbs.	131 Lbs.
Window Opening Width	26-1/2" to 40-1/2"	31" to 42"
Window Opening Height	18-1/2" Min.	19-1/2" Min.
A	18"	18-5/8"
B	23-5/8"	26-1/2"
C	25-1/2"	26-1/2"

