

RADIATOR PANELS

RADIATOR PANEL RAILS

40 x 40 x 3mm Rails

RADIATOR PANEL SLAT OPTIONS

65 x 16 x 1.4mm Aluminium Slat

Face Welded Top and Bottom on each Rail

65mm Slat Centres (49mm Gaps)

Plastic caps supplied separately for the top of slats only

Optional colour matching cast caps available for a surcharge

PANEL FIXINGS

40 x 40mm Single Lug Fence Brackets

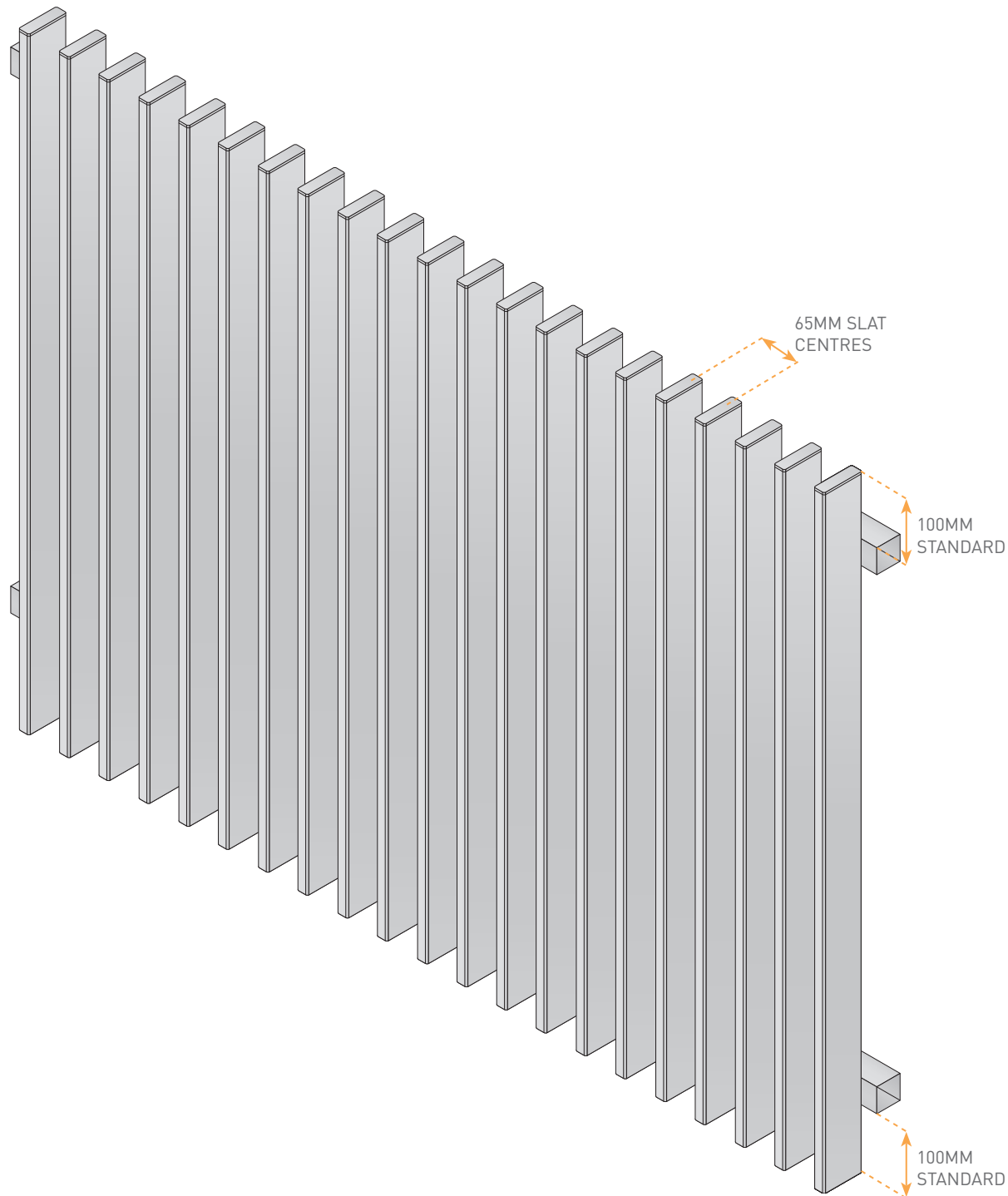
Fixed with:

- 2 x 6.5 x 40mm Steel Fixing Knock-in
- 1 x 12-14*20 Self Tapping Tek Screws

MATERIALS

6063 T6 Aluminium - Powder Coated

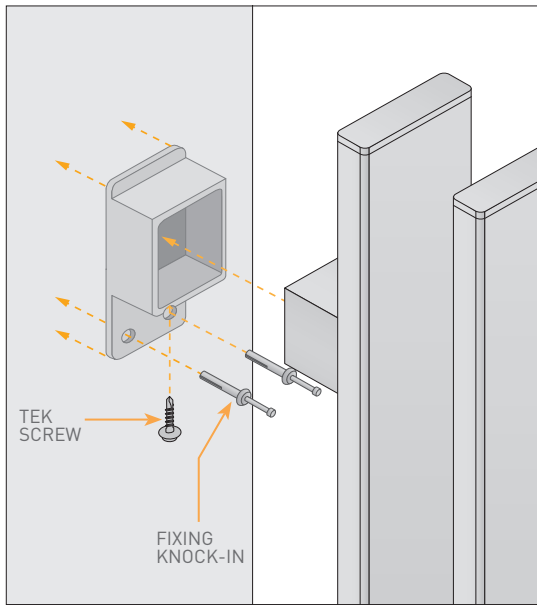
All of our Radiator and Angle Panels are available in the Interpon Powder Coating Colour Range



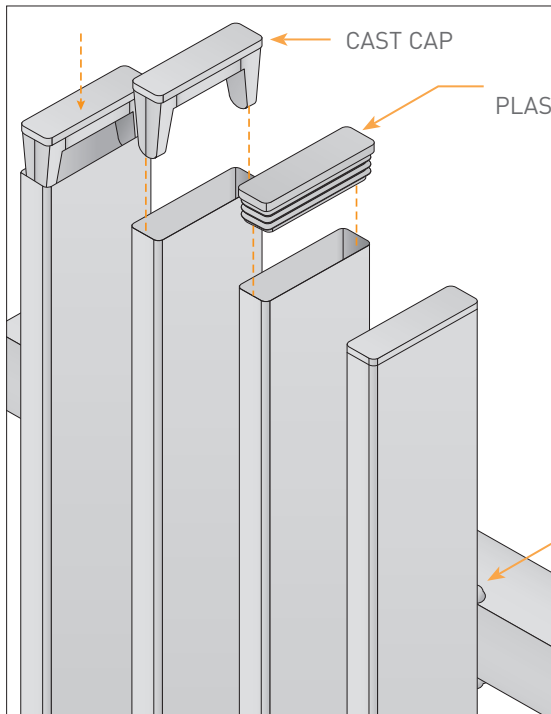
TITLE: **RADIATOR STYLE PANEL**
TYPICAL CONFIGURATION

CONTACT: sales@oxworks.com.au

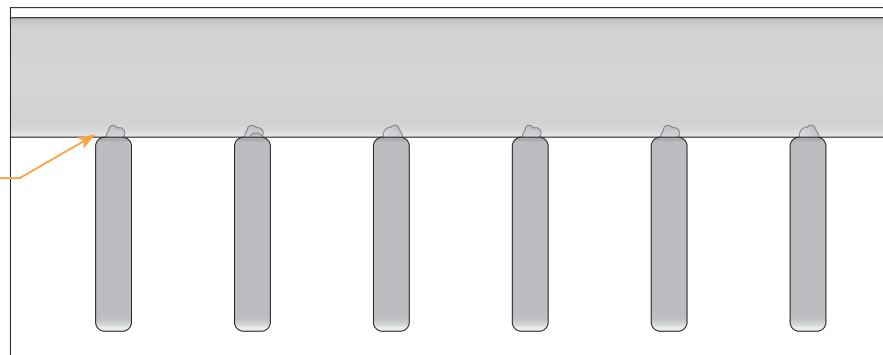
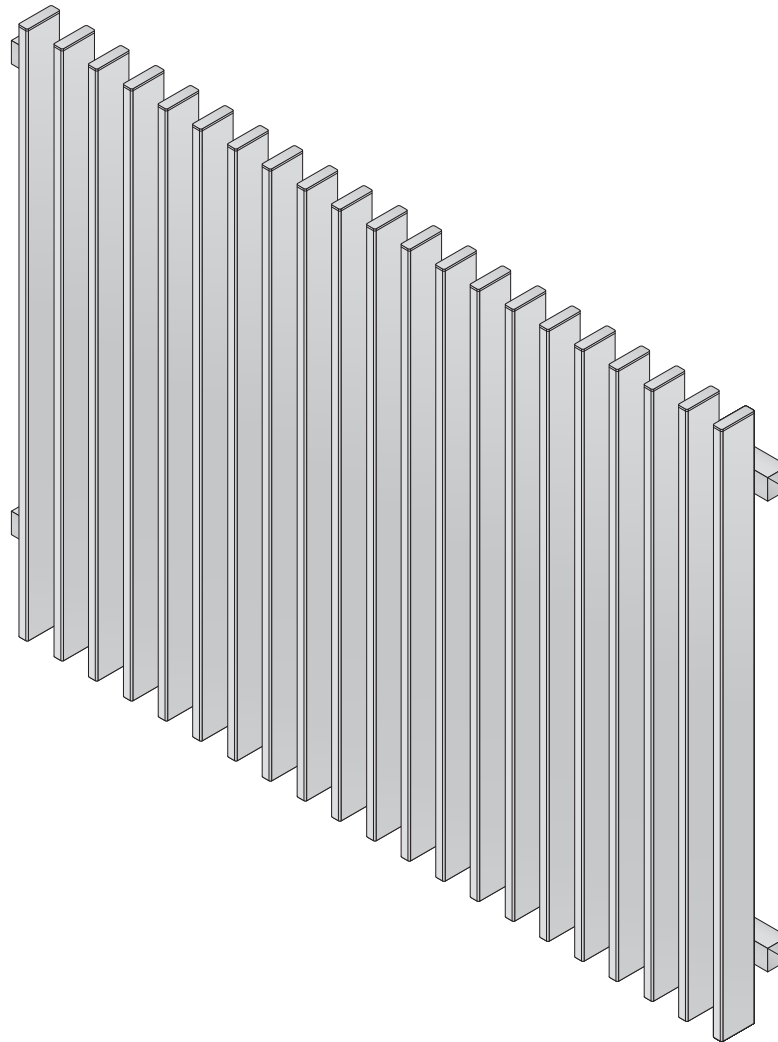
oxworks.com.au ☎ 1300 336 237



40 X 40MM BRACKETS FOR RADIATOR PANEL



CAP OPTION DETAIL



TOP ELEVATION DETAIL

RADIATOR PANEL RAILS

40 x 40 x 3mm Rails

RADIATOR PANEL SLAT OPTIONS

65 x 16 x 1.4mm Aluminium Slat

Face Welded Top and Bottom on each Rail

65mm Slat Centres (49mm Gaps)

Plastic caps supplied separately for the top of slats only

Optional colour matching cast caps available for a surcharge

PANEL FIXINGS

40 x 40mm Single Lug Fence Brackets

Fixed with:

- 2 x 6.5 x 40mm Steel Fixing Knock-in
- 1 x 12-14*20 Self Tapping Tek Screws

MATERIALS

6063 T6 Aluminium - Powder Coated

All of our Radiator and Angle Panels are available in the Interpon Powder Coating Colour Range

TITLE: **RADIATOR STYLE PANEL UNASSEMBLED CONFIGURATION**

CONTACT: sales@oxworks.com.au

oxworks.com.au 📞 1300 336 237

**ANGLE
PANELS**

ANGLE PANEL RAILS

40 x 40 x 3mm Rails

ANGLE SLAT DESIGNS

50mm Gaps between Angles

Same Size Angle Design:

- 50 x 25 x 3mm Angle
- 25 x 25 x 3mm Angle
- 40 x 40 x 3mm Angle (Standard)
- 50 x 50 x 3mm Angle

Mixed Angle Design:

- 50 x 25 x 3mm Angle; 25 x 25 x 3mm Angle

PANEL FIXINGS

40 x 40mm Single Lug Fence Brackets

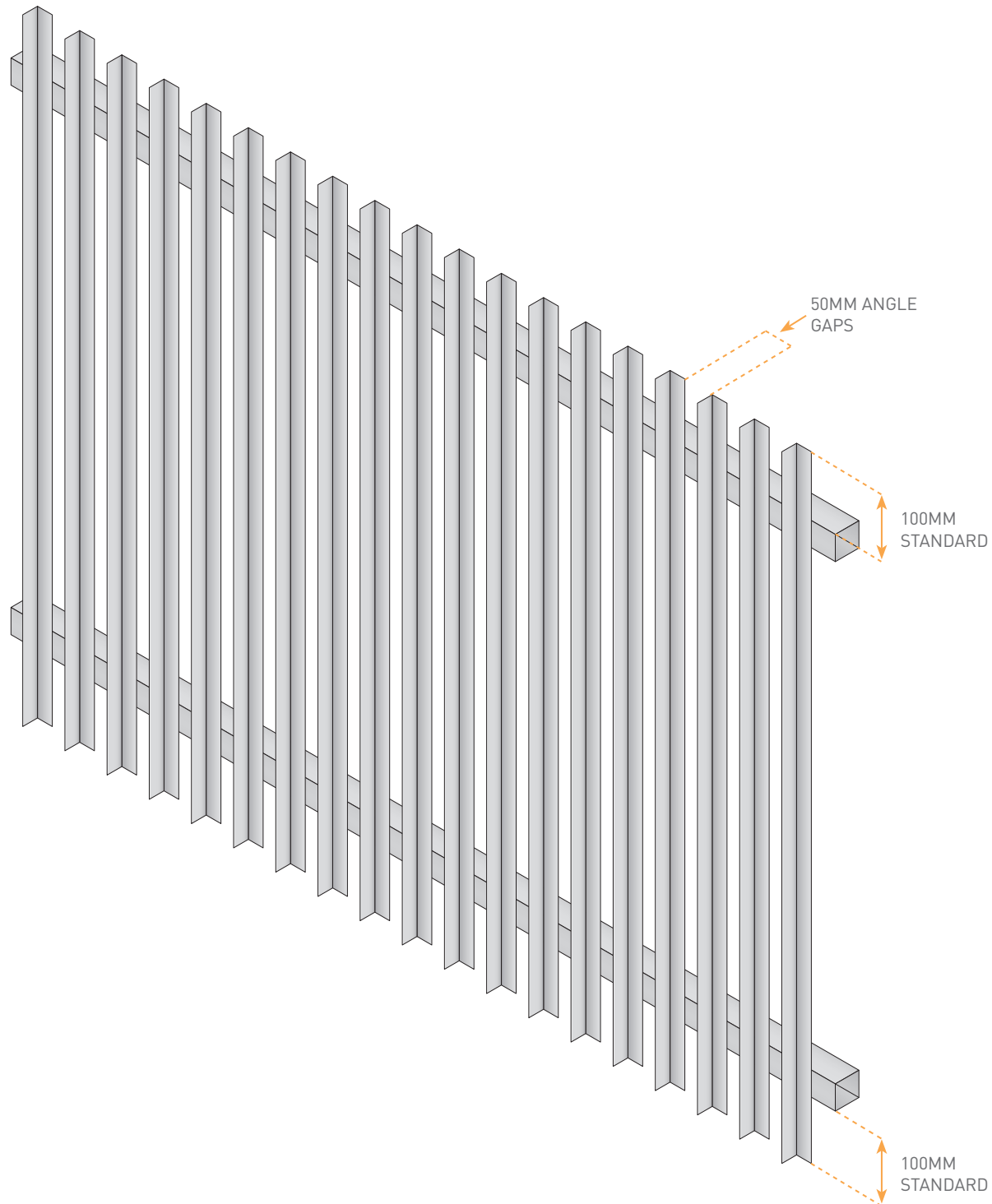
Fixed with:

- 2 x 6.5 x 40mm Steel Fixing Knock-in
- 1 x 12-14*20 Self Tapping Tek Screws

MATERIALS

6063 T6 Aluminium - Powder Coated

All of our Radiator and Angle Panels are available in the Interpon Powder Coating Colour Range



TITLE: **ANGLE PANEL STYLE**
TYPICAL CONFIGURATION
(40 X 40MM STYLE SHOWN)

CONTACT: sales@oxworks.com.au

ANGLE PANEL RAILS

40 x 40 x 3mm Rails

ANGLE SLAT DESIGNS

50mm Gaps between Angles

Same Size Angle Design:

- 50 x 25 x 3mm Angle
- 25 x 25 x 3mm Angle
- 40 x 40 x 3mm Angle (Standard)
- 50 x 50 x 3mm Angle

Mixed Angle Design:

- 50 x 25 x 3mm Angle; 25 x 25 x 3mm Angle

PANEL FIXINGS

40 x 40mm Single Lug Fence Brackets

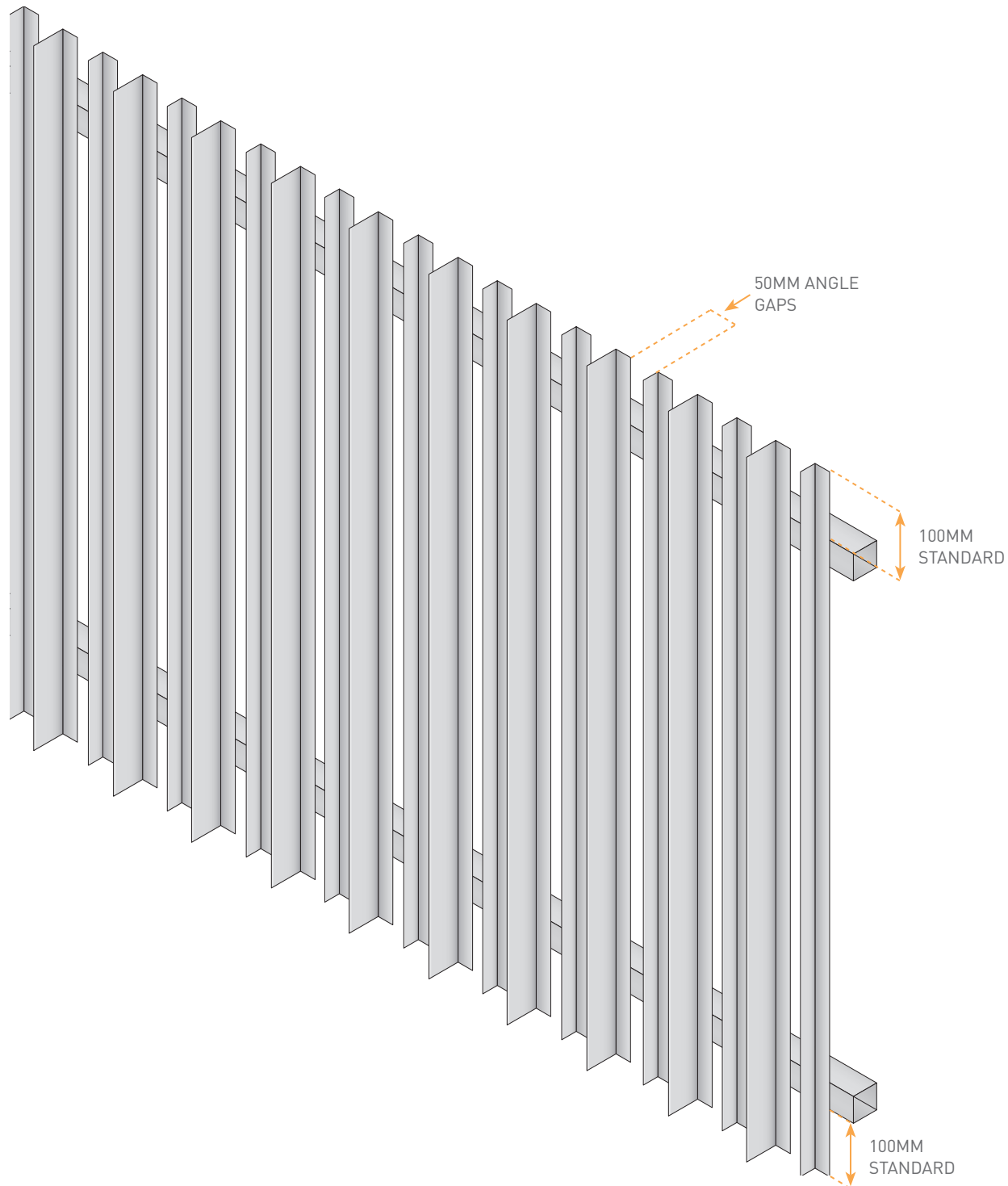
Fixed with:

- 2 x 6.5 x 40mm Steel Fixing Knock-in
- 1 x 12-14*20 Self Tapping Tek Screws

MATERIALS

6063 T6 Aluminium - Powder Coated

All of our Radiator and Angle Panels are available in the Interpon Powder Coating Colour Range



TITLE: **ANGLE PANEL STYLE**
TYPICAL CONFIGURATION
(25 X 25MM; 50 X 25MM STYLE SHOWN)

CONTACT: sales@oxworks.com.au

oxworks.com.au ☎ 1300 336 237

ANGLE PANEL RAILS

40 x 40 x 3mm Rails

ANGLE SLAT DESIGNS

50mm Gaps between Angles

Same Size Angle Design:

- 50 x 25 x 3mm Angle
- 25 x 25 x 3mm Angle
- 40 x 40 x 3mm Angle (Standard)
- 50 x 50 x 3mm Angle

Mixed Angle Design:

- 50 x 25 x 3mm Angle; 25 x 25 x 3mm Angle

PANEL FIXINGS

40 x 40mm Single Lug Fence Brackets

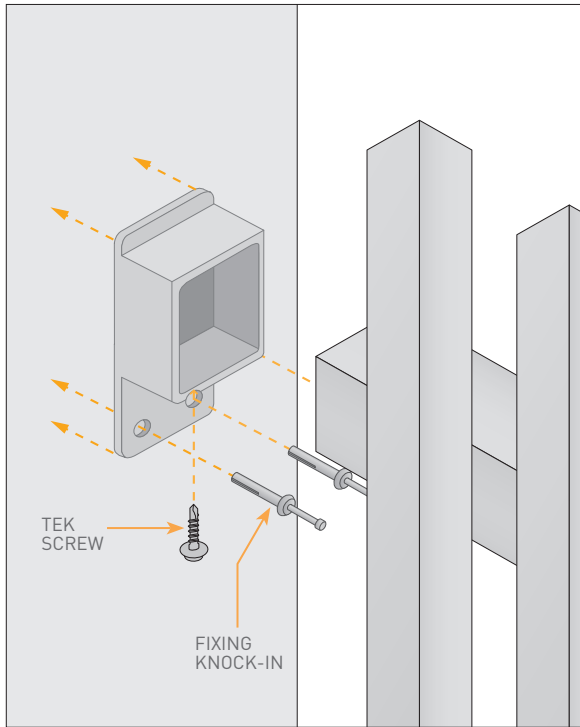
Fixed with:

- 2 x 6.5 x 40mm Steel Fixing Knock-in
- 1 x 12-14*20 Self Tapping Tek Screws

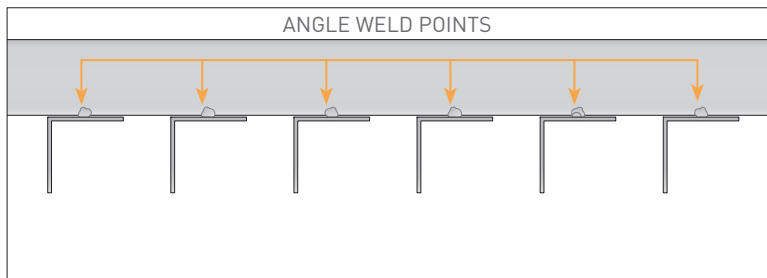
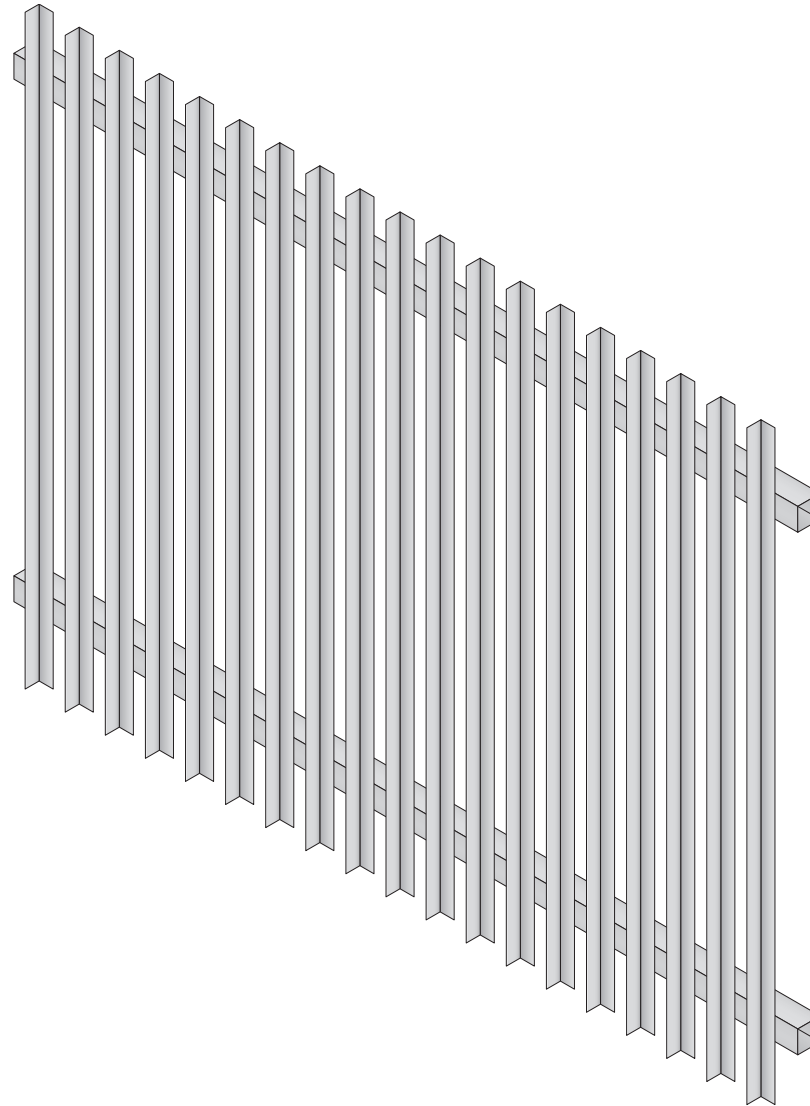
MATERIALS

6063 T6 Aluminium - Powder Coated

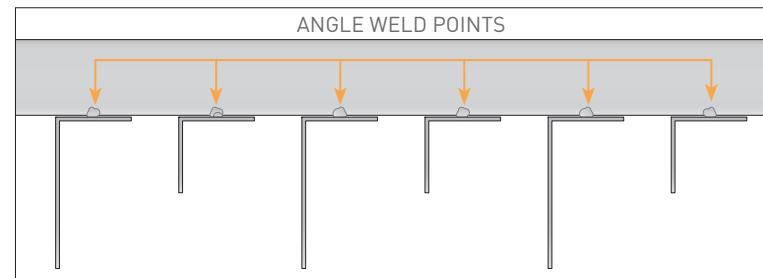
All of our Radiator and Angle Panels are available in the Interpon Powder Coating Colour Range



40 X 40MM BRACKETS FOR ANGLE PANEL



TOP ELEVATION DETAIL OF 25 X 25MM STYLE



TOP ELEVATION DETAIL OF 50 X 25MM; 25 X 25MM STYLE

TITLE: **ANGLE PANEL STYLE**
UNASSEMBLED CONFIGURATION
(25 X 25MM STYLE SHOWN)

CONTACT: sales@oxworks.com.au

oxworks.com.au ☎ 1300 336 237