

# Haier

**Range Hood**

**Model:HIH-V60HM-C  
HIH-V75HM-C  
HIH-V90HM-C**

---

**INSTALLATION GUIDE/USER GUIDE**

# CONTENTS

---

1 Introduction	1
2 Safety and warnings	2
3 Installation instructions	4
4 About your range hood	8
5 Operating Instructions-Control Panel	9
6 Cleaning and maintenance	11
7 Troubleshooting	13
8 Warranty	15

---

## **IMPORTANT!** **SAVE THESE INSTRUCTIONS**

The models shown in this user guide may not be available in all markets and are subject to change at any time. For current details about model and specification availability in your country, please contact your local Haier dealer.

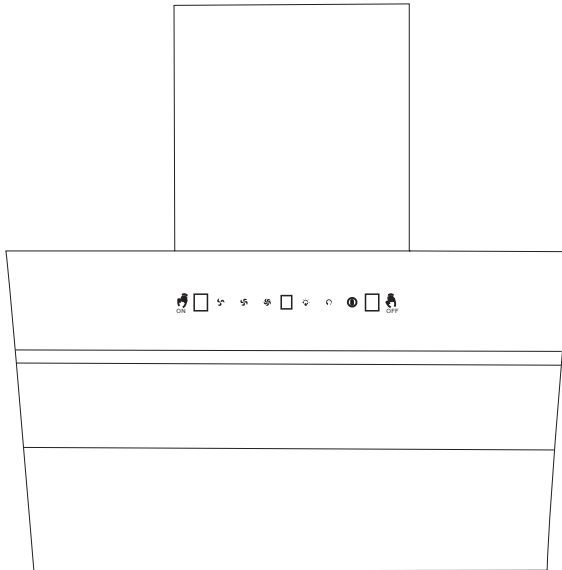
# INTRODUCTION

---

**Thank-you for purchasing a Haier range hood.**

**This user guide explains the features and functions, and will help you get the most out of your range hood.**

**We hope you enjoy your new range hood.**



## SAFETY AND WARNINGS



### WARNINGS



#### Electric Shock Hazard

Read and follow the safety and warnings outlined in this user guide before operating this appliance.

Never touch the power plug or electrical components, or manipulate the power switch with wet hands.

Altering of the internal wiring is strictly prohibited, unless performed by professional maintenance personnel.

When cleaning, never allow electrical components such as the motor, switch and connector to get wet.

Failure to do so can result in death, electric shock, fire or injury to persons.

Children should be supervised to ensure that they do not play with the appliance. Details for cleaning refer to part of 'Cleaning and maintenance'.

## IMPORTANT SAFETY INSTRUCTIONS

**WARNING!** When using this appliance always exercise basic safety precautions including the following:

- Disconnect the power supply when cleaning or inspecting the product.
- Do not damage or place heavy objects on the power cord.
- There must be adequate ventilation of the room when the range hood is used at the same time as appliances burning gas or other fuels. (A partial vacuum in the room could result in too high a concentration of gas in the air).
- Never expose the range hood to a burner or element that is turned on without a pot or pan covering it.
- If the hood is installed above the gas appliance, the minimum distance between the support surface of the cooking vessel on the cooktop and the lowest part of the range hood should be at least 650mm. If the gas stove installation instructions specify a larger installation distance, this should be considered.
- Never use aluminium foil on the cooktop.
- If using shared ducting, the air outlet must be well secured and sealed.
- Exhaust gases must not be discharged into a hot flue being used to vent appliances burning gas or other fuels.
- Do not flame directly under the range hood.
- Children and persons with reduced physical, sensory or mental capabilities shall not use the range hood without supervision.
- This appliance can be used by children aged from 8 years and above and persons with reduced physical, sensory or mental capabilities or lack of experience and knowledge if they have been given supervision or instruction concerning use of the appliance in a safe way and understand the hazards involved. Children shall not play with the appliance. Cleaning and user maintenance shall not be made by children without supervision.
- There is a fire risk if cleaning is not carried out in accordance with the instructions.
- If installation is performed by a qualified person, the product should be tested to

- confirm proper operation, and the correct use of the product explained to the user.
- If the power supply cord is damaged, it must only be replaced by your Haier trained and supported service technician or qualified person.
  - Use a dedicated power outlet; the power cord must not be connected to an extension cord or multi-socket power board. Secure grounding is required.
  - Regulations regarding the discharge of air must be fulfilled.
  - This appliance is an external exhaust hood, air and smoke is discharged to the outside through the air duct. To properly exhaust air ensure the duct is straight.
  - Do not clean the inside of the range hood. If you need to clean the inside, please contact your Haier trained and supported service technician.
  - The appliance shall be able to work normally under the following environmental conditions: temperature  $-15^{\circ}\text{C} \sim 40^{\circ}\text{C}$ , relative humidity  $\leq 90\%$  (at  $25^{\circ}\text{C}$ ), altitude  $\leq 1000\text{m}$ .
  - Remove all packaging, including protective wrappings, before use.
  - **CAUTION:** Accessible parts may become hot when used with cooking appliances.
  - If installation is performed by a qualified person, the product should be tested to confirm proper operation, and the correct use of the product explained to the user.
  - If the power supply cord is damaged, it must only be replaced by your Haier trained and supported service technician or qualified person.

# INSTALLATION INSTRUCTIONS

## Installation

### **WARNING!**

This product is heavy and requires two persons for installation.

### **WARNING!**

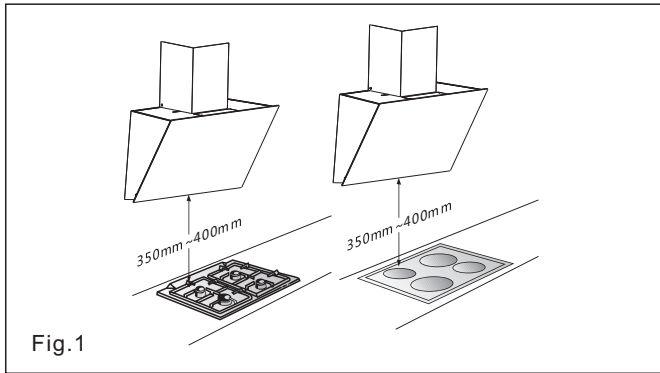
- Failure to install the screws or fixing device in accordance with these instructions may result in electrical hazards.
- The range hood must have secure grounding. It has a 3-pin plug. The plug must be connected to a socket with grounding. The grounding could offer an electricity circuit to avoid electric shock caused by electricity leakage.
- Please make sure the electricity supply system in your home (current, voltage, connecting wires) can meet the requirements of range hood's normal supply load.
- Please do not use high capacity fuse in electrical circuit and select the correct ones as required on rating label.

### **1 Prepare the range hood for installation**

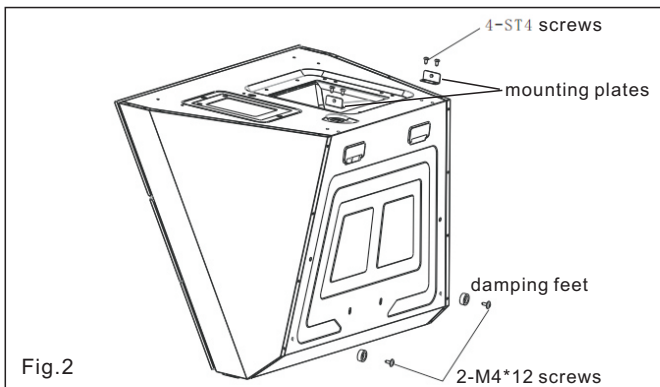
- Before commencement, unpack the range hood and check that it functions correctly.
- The room in which the range hood is used should be well ventilated and contain no flammable, explosive or corrosive materials or articles.
- The wall used for mounting the range hood should have sufficient strength and a flat surface.
- When drilling holes in the wall, do so away from water, electricity or gas lines to prevent hazards such as electric shocks or gas leaks.
- Temporarily mark the height of the bottom of the range hood and the centre of the cooktop on the wall.

# INSTALLATION INSTRUCTIONS

- The suitable height of mounting shall be 350-400mm above the cooking stove. The real installation height is subject to the construction of kitchen and user's height. The installation instruction of gas stove has given the suitable installation distance, please take it into consideration.



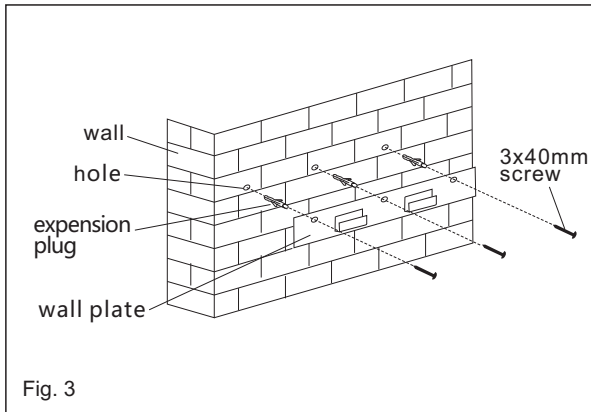
- Install the 2 pcs mounting plates with 4 pcs of St4 screws. Ensure the mounting plates are tightened. Fix the 2 pcs damping feet to the main unite with 2 pcs M4\*12 screws.



# INSTALLATION INSTRUCTIONS

## 1. Install the wall plate

- Use an impact drill with a  $\phi 9$  mm masonry bit to drill 40mm deep holes in the wall in the locations of the wall plate holes as shown in Fig. 3.
- Fit the expansion plugs into the holes.
- Secure the wall plate to the wall using the mounting screws.



## 2. Install the decorative cover holder (if inner decorative cover extension is to be used)

- Use an impact drill with a  $\phi 9$  mm masonry bit to drill 40mm deep holes in the wall in the locations of the decorative cover holes as shown in Fig. 4.
- Fit the expansion plugs into the holes.
- Secure the decorative cover holder to the wall using the mounting screws.

2\*40cm self tapping screws wall plate

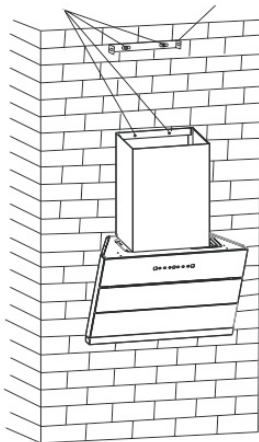
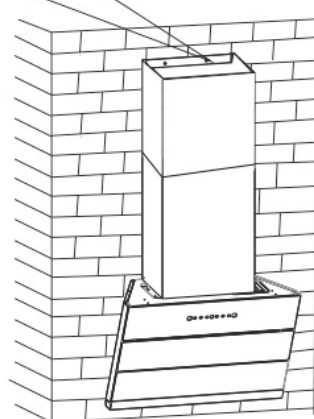


Fig.4

2\*40cm self tapping screws





# INSTALLATION INSTRUCTIONS

## 3. Fix the chimney to the main unite

- Install 2pcs of self tapping screws to the mounting plate at the bottom of the chimney, tighten the screws, make sure the bottom of the chimney is well attached to the main body.
- Fix the other 2pcs of self tapping screws to the top of the chimney.

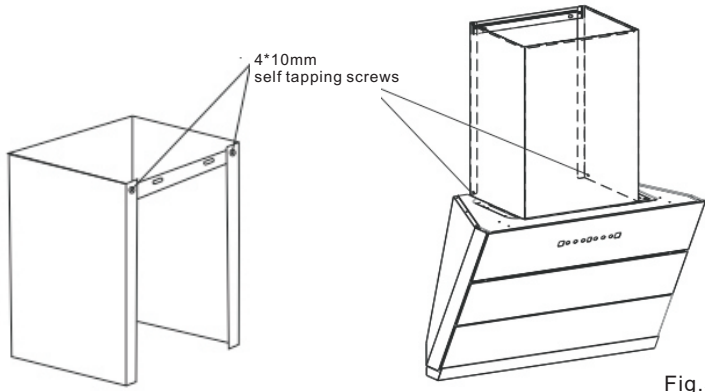


Fig.5

## 4. Install the main unite and chimney (this requires 2 persons)

- Install the main unite to the wall plate. Make sure the unite is placed correctly. (Fig.6) Place the chimney to the correct position, mark the holes positions. Put the cooker hood down, drill holes on the marks. Put the main unit back in place. Install the chimney with 2\*40cm self tapping screws (Fig.7).

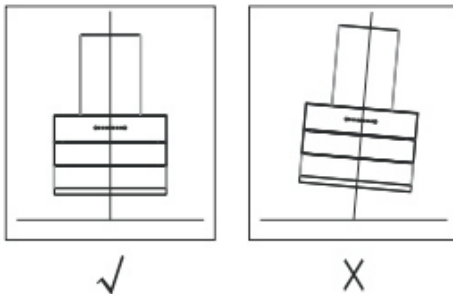


Fig.6

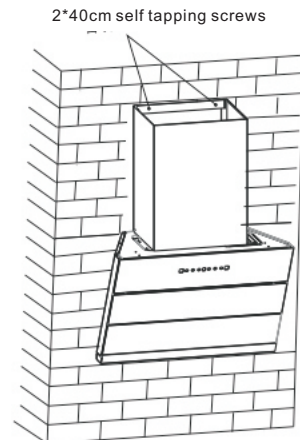


Fig.7

# INSTALLATION INSTRUCTIONS

## 5. Connect the universal ducting hose

- Connect one end of ducting hose with the check valve and seal it.
- Connect the other end of the hose to a shared flue or external wall hole as shown in Fig8.
- The length of the universal ducting hose should not exceed 3 metres to prevent impact on venting performance. The number of bends should be minimised. Flexible ducting should be stretched tight and trimmed to suit the installation.

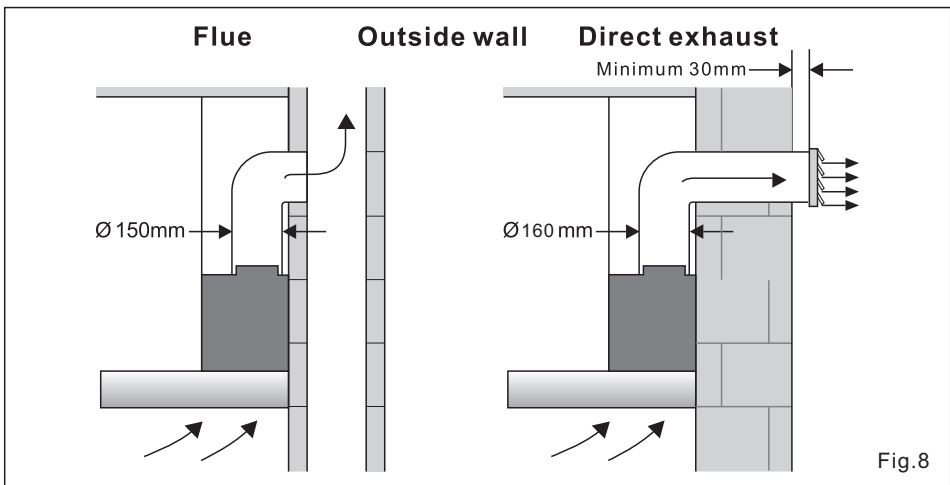


Fig.8

## 6. Extend the inner decorative cover (if inner decorative cover extension is to be used)

Pull the inner decorative cover up and hook it onto the decorative cover holder.

## 7. Fit the oil collector

- Slide the oil collector into the slot.
- Make sure the oil collector is pushed all the way in.

## 8. Remove packaging

Remove all protective wrappings.

## ABOUT YOUR RANGEHOOD

---

### Technical Data

LED Lamp	2x1.5W
Type of Power	Rated Voltage:220-240V Rated Frequency:50Hz
Motor Rated Power Input	200W
Heater Power	50W
Liner Motion Power	4W
Rated Power Input	257W
Max Air Flow	1200m <sup>3</sup> /h
Noise	58dB(A)
Max Air Pressure	310Pa
Universal Ducting Hose	Outer Diameter 150mm, Length 180mm
Net Weight	60cm 15.5kg / 75cm 16.6kg / 90cm 18.0kg

# OPERATING INSTRUCTIONS - CONTROL PANEL



## CONTROL PANEL FEATURES



1. Press this button the hood will connect to electricity.
2. When fan is on, press this button the hood will enter Delay off mode and turns off in 3 minutes.
3. In Delay off mode press this button to turn off the hood.



Touch this button on the panel, the cooker hood will start operating on LOW speed.



Touch this button on the panel, the cooker hood will start operating on MEDIUM speed.



Touch this button on the panel, the cooker hood will start operating on HIGH speed.



Light: Touch this button on the panel to turn on the lights .Repeat the action to switch-off the lights.



Auto-clean: Press "ⓘ", the cooker hood enters into standby mode. Then touch "ⓘ" for 3 seconds, heat auto-clean function is turned on. After working for 9 minutes, blower will run at low speed for 1 minute to clean the inside of the cooker hood.



1. Gesture control: Wave hand from "ON" to "OFF", the range hood will start operating at LOW speed. Repeat same gesture, the cooker hood will switch to MEDIUM and HIGH speed, Wave hand from "OFF" to "ON", the cooker hood will start DELAY mode and switch off in 3 minutes. Repeat same gesture, cooker hood will switch off immediately.
2. Long touch the "MEDIUM" button for 5 seconds, the gesture control function will be locked. Repeat this action, it will be turned on.

# OPERATING INSTRUCTIONS - CONTROL PANEL

---

---

## HEAT AUTO-CLEAN

---

A unique "Heat Auto-Clean" function has been provided in this range hood. This range hood comes with an oil collector. During cooking, the oil and dirt may go into the oil collector. Over the time, some stubborn grease and oil can get stuck inside the range hood. This unique function was designed to eliminate the stubborn grease and oil and keep the range hood clean.

Please first touch "🔥" button, then touch "🌀" button on the panel. The light of auto clean will start blinking. After preheating for 9 minutes, the low speed indicating light "🌀" is on at the same time. The motor will start working automatically for 1 minute. Once auto-clean function stops working, the cooker hood system will switch to stand-by mode. To avoid any bad influence for cleaning performance, please do not cook during the auto clean process.

All the grease are melt and goes into the inside oil outlet pipe, then drops into oil collector. The auto-clean function will stop operating at the end of 1 minute. Wait for a moment and then carefully remove the oil collector, make sure that you do not spill the grease. Pull the grease into a sink and clean the oil collector with a soft cloth. Install the oil collector back in place. Your range hood is clean as new from inside now.

# CLEANING AND MAINTENANCE

We recommend following 'Cleaning and maintenance' instructions for safety and optimal performance of your range hood.

## Preparation for cleaning and maintenance

- Be sure to unplug the power cord before commencing cleaning or servicing of the range hood.
- Always wear rubber gloves during cleaning and maintenance to guard against injury from sharp metal parts.
- Always handle removed parts carefully to avoid damaging them.
- Clean and service your range hood regularly, depending on the frequency of use.

## Cleaning the main housing (daily)

- The outer surface of the range hood and filter should be wiped every day after use.
- To protect the stainless steel finish, use a neutral detergent and a soft cloth. Never use hard brushes.
- Never wipe surfaces with corrosive chemicals such as gasoline or alcohol, or abrasive cleaning agents.

## Cleaning the oil collector (as necessary)

- When the oil collector is almost full, it should be removed promptly to avoid overflow.
- Pull the oil collector straight out to detach it from the filter.
- Empty the oil collector.
- The oil collector should be washed in warm water with detergent (do not use corrosive chemicals).
- To replace the oil collector, slide it into the slot and ensure it is pushed all the way in.

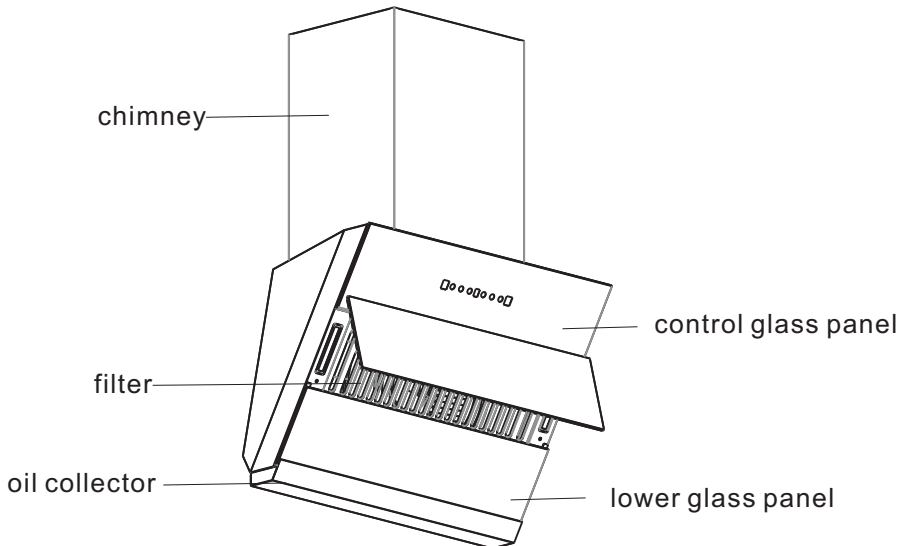


Fig.9

## CLEANING AND MAINTENANCE

---

### **Cleaning the filter(weekly)**

- Remove oil collector (refer to instructions above).
- The lower glass panel is detachable. Remove the lower glass panel by hands.
- Loosen the screws securing the filter.
- The filter should be washed in warm water with detergent and left to soak. Wipe clean with a rag and rinse with fresh water.
- To reassemble, put it back in place and tighten with screws.
- Put the lower glass panel back in place.
- Slide oil collector into the slot and ensure it is pushed all the way in.

### **Cleaning the blower (every 3 months) (this requires 2 persons)**

- Detach the upper and lower glass panels from the main unite.
- Disassemble the filter from the main unit.
- Take the blower out and clean it.
- The blower should be cleaned once every 3 months.
- It should be done by professional personal.

### **Cleaning the entire unit (every 6 months) (this requires 2 persons)**

- The entire unit should be cleaned once every six months so as to maintain venting performance and ensure a long service life.
- Unplug the power cord if the range hood will not be used for a prolonged period of time.
- It should be done by professional personal.

## TROUBLESHOOTING

### Solutions for common faults

In case of a fault, first try the suggestions below. If the problem cannot be fixed, please get in touch with your local Haier after-sales service centre. Only professional technicians may dismantle and repair the range hood.

PROBLEM	POSSIBLE CAUSE	WHAT TO DO
No power.	Power supply plug is not plugged in or not properly connected.	Connect the power plug.
	No power is supplied to the electrical outlet.	Restore the power supply or contact an electrician for repair.
	Power is not connected or a fuse is blown.	Restore or contact an electrician for repair.
Product not working.	The power supply is not connected, or the voltage is incorrect.	Restore the power supply or contact an electrician for repair.
	No fan speed has been selected.	Select a fan speed.
Light not working.	Light button not pressed.	Press the light button.
	Light has burned out.	Replace the light (please contact the after-sales service centre).
Product vibrates.	Main unit is not securely fastened to wall.	Check that the main unit is fastened securely.
	Blower is not well fitted.	Fit the blower properly.
	Blower is damaged.	Replace the blower (please contact the service centre).
	Hand-tightened nut is loose.	Tighten the hand-tightened nut.
Poor suction.	Windows and doors are open too wide during use or are closed.	Open or close doors and windows as necessary to ensure venting performance.
	Range hood body is not installed at the correct height.	Re-install the appliance at the required height.
	Universal ducting hose is too long, has not been stretched tight, or has too many bends.	Reduce the length of the ducting hose or the number of bends.
	Shared flue aperture is too narrow or the air outlet is poorly sealed.	Widen the flue aperture or improve the outlet sealing.
	The check valve blade is stuck and cannot function properly	Fix the blade and ensure the valve is working correctly.
	Range hood has not been cleaned.	Clean the rangehood in accordance with the instructions.



## TROUBLESHOOTING

PROBLEM	POSSIBLE CAUSE	WHAT TO DO
Oil leak.	Too much oil in the oil collector.	Remove waste oil in the oil collector.
	Filter has not been cleaned.	Clean the filter in accordance with the instructions.
	Main housing hasn't been cleaned.	Wipe the main housing every day after use in accordance with the instructions.
Filter is difficult to remove.	Filter has not been cleaned.	Clean the filter weekly in accordance with the instructions.

Note: if you are unable to fix the problem by following the above prompts, or one of the situations below occurs, please unplug the range hood straight away and contact our after-sales service centre.

- 1 The range hood runs unevenly when turned on;
- 2 The range hood makes an unusual noise during operation;
- 3 Strange odours, heat or smoke are discovered, or other unusual circumstances not mentioned above occur.

The following phenomenon is not a malfunction

PHENOMENON	CAUSE
The product makes a clicking noise after the power is switched off for a few seconds.	Air pressure causes the two blades of the check valve to open during operation. After the power supply is switched off, the blower gradually stops rotating and the blades fall back by themselves, emitting a clicking noise.

Customer Name :- ..... Address :- .....  
 Serial Number :- ..... Date of Purchase :- ..... Model No. :- .....  
 Dealer Seal :- .....


**HAIER WARRANTY**

HAIER APPLIANCES (INDIA) PVT. LTD. (here-in-after referred to as "the Company") hereby offers the following warranty to the original domestic purchaser commencing from the Date of the Purchase (DOP). The Company at its sole discretion, will free of charge repair or replace any defective part or parts which prove to be defective in workmanship and/or materials and not due to abnormal or improper usage

**CONDITIONS OF WARRANTY**

- 1) This warranty will be automatically terminated on the expiry of the warranty period from the **Date of Purchase (DOP)**.
- 2) The Company is not liable for any delay in servicing due to reasons beyond the control of the Company or any of its authorized service center.
- 3) Parts replaced or repaired under this warranty are warranted throughout the remaining of the original warranty period.
- 4) It is entirely left to the Company's discretion to repair/replace parts at the site of installation or at the authorized service center.
- 5) This warranty shall be strictly limited to the repairs or replacement of the defective part specified in warranty. This warranty shall not cover any consequential or resulting liability.
- 6) This warranty shall not, in any case, extend towards payment of any monetary consideration whatsoever or replacement or return of the product.
- 7) The Company may repair/supply parts free of cost during the warranty period. This warranty does not cover any Excise duty, Central or Sales tax, Octroi and other local taxes or levies on the components/parts.
- 8) The parts shall be replaced by functionally operating equivalent material only and not with brand new ones and are likely to be different from the one originally fitted. The parts thus removed shall be taken back by the Company.
- 9) The Company reserves the right to retain any part or component replaced at its sole discretion during the warranty period.
- 10) In no event the Company or its authorized service center, be liable for any consequential damages or resulting liability, damage or loss arising directly or indirectly out of any defect in the product.
- 11) This warranty is not valid in case of the following events.
  - a) If the Product has been Installed/Service/Repaired/Opened or Tampered by any unauthorized personnel.
  - b) If defects arise/caused by accidents, alteration, misuse, neglect, substitution of original components with spurious/non-genuine components, attacked by household pest / rodents, fire, flood, earthquake, lightning and/or any other act of God/natural calamities.
  - c) The product is shipped outside India.
- 12) (a) For any service under this warranty beyond city/town/municipal limits from the Company/authorized service center, a fixed charge of Rs. 100 will be collected from the customer in addition to the actual to and for charges by the shortest route.  
 (b) Service charges applicable after expiry of comprehensive warranty.
- 13) Any change of location or change in the ownership during the warranty period must be intimated in writing to the Company.
- 14) The Company's employees or its authorized representatives have no authority to vary the terms of this warranty
- 15) Brass burners valve carry warranty against any manufacturing defect for 60 months. Warranty is not applicable for De-coloration of the burners.
- 16) The warranty does not cover rust, oxidation, discoloration, scratches, and wear & tear, plastic, rubber, aesthetic, filters, Consumable parts.
- 17) HOB Tempered glass top have 24 Month warranty for any manufacturing defect. The warrant of glass become null & void in following conditions.
  - a) Glass breakage due to improper use or accidental damage.
  - b) Use of gas tandoor / Gas Oven / Dosa Tawa.
  - c) Sprinkling of water on hot Glass surface.
  - d) Other safety norms / precaution not followed.
- 18) This warranty is affected in New Delhi and claims, if any, shall be made only before the courts having jurisdiction in New Delhi and no claim shall be made against the Company outside New Delhi not withstanding that the Appliance may have been sold or delivered elsewhere.

Segment	Warranty	
	Period	Parts not Covered
BUILT - IN - HOB	1 Year Comprehensive (1 + 1 Yr. on Glass) & (1 + 4 Yrs. On Burner & Valve )	Pan Support, Leg, Drip Tray & Knob, Mixing tube, Plastic Parts, accidents or damage, etc.
HYBTID - HOB		
TABLET - HOB		
HOOD	1 Year Comprehensive	Glass, Duct Cover, Body, Filters, Oil Collector & Cleaning, Bulbs, Switches, Knobs, Plastic Parts, accidents or damage, etc.
BUILT - MWO	1 Year Comprehensive	Outer Body, Cavity, Door, Glass, Handle, Knob/ Touch Panel, bulbs, Plastic Parts, accidents or damage, etc.
BUILT - IN - OVEN	1 Year Comprehensive	
BUILT - STERILIZER	1 Year Comprehensive	

<p>Haier Appliances (India) Pvt. Ltd. Building -1, Okhla Industrial Estate Phase III, New Delhi -110020</p> <p>Tel: +91-1139496000,30674000, Fax: +91-11-30674088</p>		<p>1800-102-9999, 1800-419-9999 (Toll Free - 24x7)</p> <p>Email: <a href="mailto:customercare@haierindia.com">customercare@haierindia.com</a> Whatsapp : 855 304 9999</p> <p>For Quick Connect to Haier India Scan QR Code</p>	
---	---	--	---

Customer Name :- ..... Address :- .....  
 Serial Number :- ..... Date of Purchase :- ..... Model No. :- .....  
 Dealer Seal :- .....