

RCM DIRECT READING FLOWMETER



Flow
Pressure
Level
Temperature
measurement
monitoring
control



Special Features

- **Compact Design**
- **Easy to Install**
- **For Horizontal or Vertical Pipes**
- **Rugged Construction**
- **Accuracy: $\pm 3\%$ Full Scale**
- **Rangeability 6:1**
- **Flow Rates up to 3000 GPM Liquid or 20 000 SCFM Gas**
- **Low Pressure Drop**
- **Optional Alarms and Output Signals**

S5



USA

KOBOLD Instruments Inc.
1801 Parkway View Drive
USA- Pittsburgh, PA 15205
☎ +1 412-788-2830
☎ +1 412-788-4890
E-mail: info@koboldusa.com



CANADA

KOBOLD Instruments Canada Inc.
9A Aviation
Pointe-Claire, QC H9R 4Z2
☎ +1 514-428-8090
☎ +1 514-428-8899
E-mail: kobold@kobold.ca

Visit KOBOLD Online at
www.koboldusa.com

Model:
RCM



The RCM is a differential pressure direct reading flowmeter. It is suitable for monitoring all liquids and gases that have low or medium viscosity, low solids content, and are compatible with the materials of construction. The meter features rugged, compact construction. In liquid applications of 6 GPM and higher, pulsation snubbers are incorporated into the connecting pressure passages to produce smooth meter operation independent of pipeline turbulence.

This meter was developed for industrial flow metering applications in which durability and reliability are important considerations. Accuracy, small size, low cost, minimal maintenance and resistance to accidental damage are the prime goals in the RCM design. Typical applications include: lube oil and cooling water monitoring, blending processes, reverse osmosis systems, and compressed air measurement.

The RCM is available with a 4–20 mA output for interfacing with remote displays and controllers. Limit switches are available to provide high and low limit signals. A 0–1000 Hz frequency output is available to drive frequency based controllers and counters.

Specifications

Accuracy:	± 3% Full Scale
Flow Media:	Liquids and Gases
Mounting:	Horizontal or Vertical
Media Temperature Range	
Standard:	- 30 to 212°F
Optional:	- 80 to 350°F (without electrical options)
Maximum Pressure	
Standard:	180 PSIG
Optional:	400 PSIG
Housing:	Polycarbonate UV stabilized
Body:	Bronze, Monel, or 316 SS
Option -ES:	also Teflon™
Bellows:	Bronze, Monel 316 SS or Inconel™
Movement:	Bronze or SS
Seals:	Buna-N, Viton®, EPDM or Teflon™
Crystal:	Polycarbonate
Relay Options:	High/Low Alarms
Output Options:	4–20mA 0–1000 Hz Frequency



Model RCM-7126

Ordering Information

Order **RCM Series Flowmeter** by:

- 1) choose range and material for wetted part on order number tables
- 2) choose options (if required)
- 3) specify direction of flow according to Flow Direction instructions below.

Available Flow Directions:

- R Horizontal, flow to right
- L Horizontal, flow to left
- VUR Vertical, flow up, dial at right
- VDR Vertical, flow down, dial at right
- VUL Vertical, flow up, dial at left
- VDL Vertical, flow down, dial at left

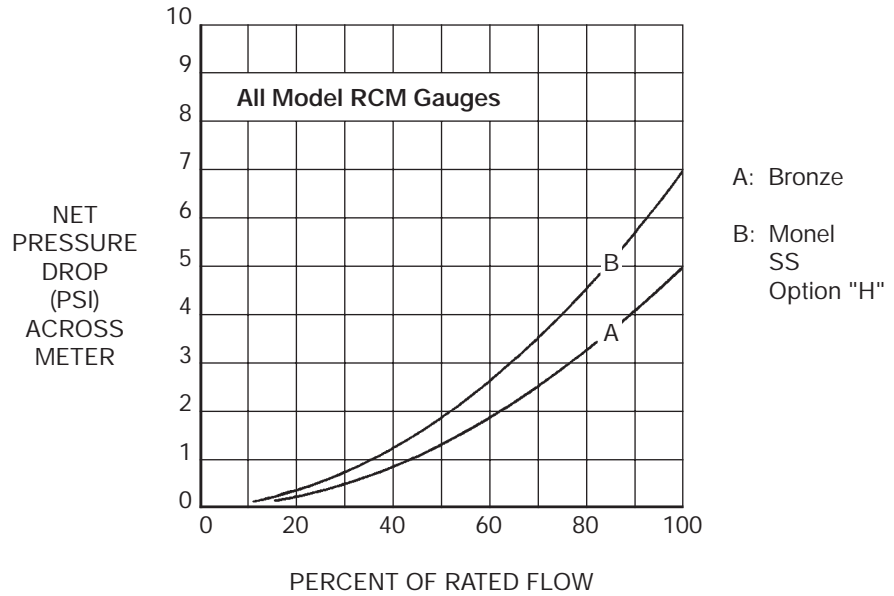
Example:

RCM-7117-A-D is the catalog no. for a 3/4" NPT RCM Series 7000 Flowmeter of bronze construction, flow rating of 20 GPM Water (full scale), equipped with Viton® seals and NEMA 4X gasketed case. Specify desired flow direction in comments.

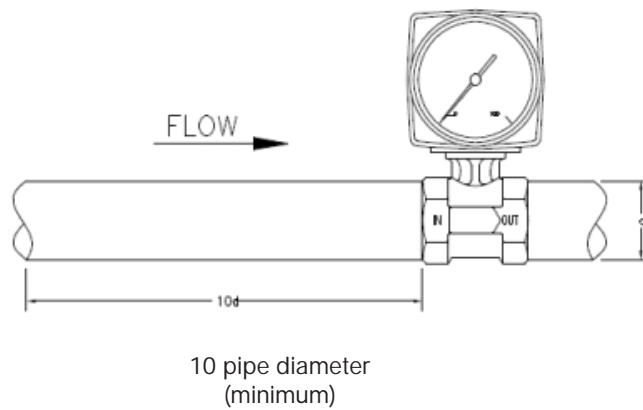
Options (if required).

- 1S2 Single SPDT Reed switch
- 2S2 Dual SPDT Reed switch
- A Viton® seals
- B3 EPDM seals
- B5 PTFE seals
- C Calibration for specific gravity
- D Gasketed case
- D2 Gasketed case w/condulet box
- E Non-std. flow rate (special orifice)
- ES Low flow rate
- H 400 psig service
- K Steam service (SS only)
- N Ammonia service
- O2 Oxygen cleaning
- P Panel mounting kit
- RW3 LCD rate & total display
- T 350 °F service rating
- V Calibration for high viscosity
- W 4-20 mA dc
- W2 4-20 mA DP Transmitter
- W3 4-20 mA Blind DP Transmitter
- X Hi/Lo alarm relays
- Y 1000 Hz full scale frequency
- Z Comb. of options W, X, Y

Pressure Drop vs. Flow Rate



Piping Requirements



Upstream piping should have a straight run of at least 10 pipe diameters at the meter inlet connection. We recommend that valving, if required, be installed downstream of the flowmeter.

The gas flow meters (Models 6000 and 9000), are inlet pressure sensitive. To operate properly, the gas pressure at the inlet of the meter must be regulated to a constant, user-selected value.



Ordering Data for Threaded Liquid Flowmeters						
Range GPM Liquid	Fittings NPT	Ordering Number of Desired Material			Low Flow Option Add Suffix »ES«	Other Options
		Bronze	Monel	Stainless Steel	Range GPH	
0.3- 2.0	1/4"	RCM-7101	RCM-7201	RCM-7301		See Options Table
0.3- 2.0	1/2"	RCM-7102	RCM-7202	RCM-7302	0.5- 4.0	
0.4- 3.0	1/4"	RCM-7103	RCM-7203	RCM-7303		
0.5- 3.0	1/2"	RCM-7104	RCM-7204	RCM-7304	0.5- 6.0	
0.6- 4.0	1/4"	RCM-7105	RCM-7205	RCM-7305		
0.5- 4.0	1/2"	RCM-7106	RCM-7206	RCM-7306	1.5- 10	
0.6- 6.0	1/2"	RCM-7107	RCM-7207	RCM-7307	2.0- 15	
0.6- 6.0	3/4"	RCM-7108	RCM-7208	RCM-7308		
1.5- 10	1/2"	RCM-7109	RCM-7209	RCM-7309	3.0- 20	
1.5- 10	3/4"	RCM-7110	RCM-7210	RCM-7310		
-	1/2"	RCM-7111	RCM-7211	RCM-7311	4.0- 30	
-	1/2"	RCM-7112	RCM-7212	RCM-7312	5.0- 40	
-	1/2"	RCM-7113	RCM-7213	RCM-7313	8.0- 60	
-	1 1/2"	RCM-7114	RCM-7214	RCM-7314	15.0- 100	
2.0- 15	3/4"	RCM-7115	RCM-7215	RCM-7315		
2.0- 15	1"	RCM-7116	RCM-7216	RCM-7316		
3.0- 20	3/4"	RCM-7117	RCM-7217	RCM-7317		
3.0- 20	1"	RCM-7118	RCM-7218	RCM-7318		
4.0- 30	1"	RCM-7119	RCM-7219	RCM-7319		
4.0- 30	1 1/2"	RCM-7120	RCM-7220	RCM-7320		
5.0- 40	1"	RCM-7121	RCM-7221	RCM-7321		
5.0- 40	1 1/2"	RCM-7122	RCM-7222	RCM-7322		
5.0- 40	2"	RCM-7123	RCM-7223	RCM-7323		
5.0- 60	1 1/2"	RCM-7124	RCM-7224	RCM-7324		
5.0- 60	2"	RCM-7125	RCM-7225	RCM-7325		
15 -100	1 1/2"	RCM-7126	RCM-7226	RCM-7326		
15 -100	2"	RCM-7127	RCM-7227	RCM-7327		
20 -150	2"	RCM-7128	RCM-7228	RCM-7328		
30 -200	2"	RCM-7129	RCM-7229	RCM-7329		
30 -200	3"	RCM-7130	RCM-7230	RCM-7330		
40 -300	3"	RCM-7131	RCM-7231	RCM-7331		
50 -400	3"	RCM-7132	RCM-7232	RCM-7332		
50 -500	3"	RCM-7133	RCM-7233	RCM-7333		

A minimum of 10 PSIG of back pressure is required for the RCM to be suitable for use with your application.

Order Numbers are a combination of the part number in the above table, and the suffix designation for the desired options.

Example: 1/4" NPT Monel unit for 0.4-3.0 GPM water with Viton® seals, flow: right to left:

Order Number = RCM-7203 + A = RCM-7203A.

When ordering, specify: Media type (if media is other than water, specify viscosity and specific gravity @ operating temp), flow direction.

Ordering Data for Threaded Gas Flowmeters						
Range SCFM Gas (10 PSIG Minimum)	Fittings NPT	Ordering Number of Desired Material			Low Flow Option Add Suffix »ES«	Other Options
		Bronze	Monel	Stainless Steel	Range SCFH	
1.5- 10 1.5- 10 3.0- 20 3.0- 20 4.0- 30	1/4" 1/2" 1/4" 1/2" 1/4"	RCM-9101 RCM-9102 RCM-9103 RCM-9104 RCM-9105	RCM-9201 RCM-9202 RCM-9203 RCM-9204 RCM-9205	RCM-9301 RCM-9302 RCM-9303 RCM-9304 RCM-9305	5.0- 40 8.0- 60	See Options Table
4.0- 30 5.0- 40 8.0- 60 8.0- 60	1/2" 1/2" 1/2" 3/4"	RCM-9106 RCM-9107 RCM-9109 RCM-9110	RCM-9206 RCM-9207 RCM-9209 RCM-9210	RCM-9306 RCM-9307 RCM-9309 RCM-9310	15 -100 20 -150 30 -200	
- - 15 - 100 20 - 150	1/2" 1/2" 3/4" 3/4"	RCM-9111 RCM-9112 RCM-9113 RCM-9115	RCM-9211 RCM-9212 RCM-9213 RCM-9215	RCM-9311 RCM-9312 RCM-9313 RCM-9315	40 -300 50 -400	
20 - 150 30 - 200 30 - 200 40 - 300	1" 3/4" 1" 1"	RCM-9116 RCM-9117 RCM-9118 RCM-9120	RCM-9216 RCM-9217 RCM-9218 RCM-9220	RCM-9316 RCM-9317 RCM-9318 RCM-9320		
40 - 300 50 - 400 50 - 400 50 - 400 50 - 600	1 1/2" 1" 1 1/2" 2" 1 1/2"	RCM-9121 RCM-9122 RCM-9123 RCM-9124 RCM-9125	RCM-9221 RCM-9222 RCM-9223 RCM-9224 RCM-9225	RCM-9321 RCM-9322 RCM-9323 RCM-9324 RCM-9325		
50 - 600 100 - 800 100 - 800 150 -1000 150 -1000	2" 1 1/2" 2" 2" 3"	RCM-9126 RCM-9127 RCM-9128 RCM-9129 RCM-9130	RCM-9226 RCM-9227 RCM-9228 RCM-9229 RCM-9230	RCM-9326 RCM-9327 RCM-9328 RCM-9329 RCM-9330		
300 -2000 400 -3000 500 -4000	3" 3" 3"	RCM-9131 RCM-9132 RCM-9133	RCM-9231 RCM-9232 RCM-9233	RCM-9331 RCM-9332 RCM-9333		

As with all KOBOLD model RCM flowmeters, a minimum of 10 PSIG back pressure is required for proper operation.

Order Numbers are a combination of the part number in the above table, and the Suffix designation for the desired options.

Example: A 1/2" Bronze unit for 4.0-30 SCFM Air at 400 PSIG and 350 °F, flow down at left:

Order Number = RCM-9106 + H + T = RCM-9106HT

When ordering, specify: Type of gas, operating inlet pressure and temperature, flow direction.



Ordering Data for Wafer Style Liquid Flowmeters						
Range GPM Liquid	Fittings Flange Size	Ordering Number of Desired Material				Other Options
		Bronze	Monel	Stainless Steel		
0.3- 2.0	1/2"	RCM-5102	RCM-5202	RCM-5302		See Options Table
0.4- 3.0	1/2"	RCM-5104	RCM-5204	RCM-5304		
0.5- 4.0	1/2"	RCM-5106	RCM-5206	RCM-5306		
0.6- 6.0	1/2"	RCM-5107	RCM-5207	RCM-5307		
0.6- 6.0	3/4"	RCM-5108	RCM-5208	RCM-5308		
1.5- 10	1/2"	RCM-5109	RCM-5209	RCM-5309		
1.5- 10	3/4"	RCM-5110	RCM-5210	RCM-5310		
2.0- 15	3/4"	RCM-5115	RCM-5215	RCM-5315		
2.0- 15	1"	RCM-5116	RCM-5216	RCM-5316		
3.0- 20	3/4"	RCM-5117	RCM-5217	RCM-5317		
3.0- 20	1"	RCM-5118	RCM-5218	RCM-5318		
4.0- 30	1 1/2"	RCM-5120	RCM-5220	RCM-5320	Extended Flange Size Add Suffix: -EF1 = 2 1/2" -EF2 = 5"	
5.0- 40	1"	RCM-5121	RCM-5221	RCM-5321		
5.0- 40	1 1/2"	RCM-5122	RCM-5222	RCM-5322		
5.0- 40	2"	RCM-5123	RCM-5223	RCM-5323		
5.0- 60	1 1/2"	RCM-5124	RCM-5224	RCM-5324		
5.0- 60	2"	RCM-5125	RCM-5225	RCM-5325	-EF1	
15 - 100	1 1/2"	RCM-5126	RCM-5226	RCM-5326		
15 - 100	2"	RCM-5127	RCM-5227	RCM-5327	-EF1	
20 - 150	2"	RCM-5128	RCM-5228	RCM-5328	-EF1	
30 - 200	2"	RCM-5129	RCM-5229	RCM-5329	-EF1	
30 - 200	3"	RCM-5130	RCM-5230	RCM-5330		
40 - 300	3"	RCM-5131	RCM-5231	RCM-5331		
50 - 400	3"	RCM-5132	RCM-5232	RCM-5332		
50 - 500	3"	RCM-5133	RCM-5233	RCM-5333		
40 - 300	4"	RCM-5134	-	RCM-5334	-EF2	
50 - 400	4"	RCM-5135	-	RCM-5335	-EF2	
50 - 600	4"	RCM-5136	-	RCM-5336	-EF2	
50 - 600	6"	RCM-5137	-	RCM-5337		
50 - 600	8"	RCM-5138	-	RCM-5338		
100 - 800	4"	RCM-5139	-	RCM-5339	-EF2	
100 - 800	6"	RCM-5140	-	RCM-5340		
150 -1000	6"	RCM-5141	-	RCM-5341		
150 -1000	8"	RCM-5142	-	RCM-5342		
300 -2000	6"	RCM-5143	-	RCM-5343		
300 -2000	8"	RCM-5144	-	RCM-5344		
400 -3000	8"	RCM-5145	-	RCM-5345		

Order Numbers are a combination of the part number in the above table, and the Suffix designation for the desired options.

Example: A 4" Bronze unit for 800 GPM water with Viton® seals, flow up, dial on right:

Order number = RCM-5139 + A = RCM-5139A

When ordering, specify: Media type (if media is other than water, specify viscosity and specific gravity @ operating temp), flow direction.

Ordering Data for Wafer Style Gas Flowmeters						
Range SCFM Gas (10 PSIG Minimum)	Fittings Flange Size	Ordering Number of Desired Material				Other Options
		Bronze	Monel	Stainless Steel		
1.5- 10 4.0- 30 5.0- 40 8.0- 60 8.0- 60	1/2" 1/2" 1/2" 1/2" 3/4"	RCM-6102 RCM-6106 RCM-6107 RCM-6109 RCM-6110	RCM-6202 RCM-6206 RCM-6207 RCM-6209 RCM-6210	RCM-6302 RCM-6306 RCM-6307 RCM-6309 RCM-6310		See Options Table
15 - 100 20 - 150 20 - 150	3/4" 3/4" 1"	RCM-6113 RCM-6115 RCM-6116	RCM-6213 RCM-6215 RCM-6216	RCM-6313 RCM-6315 RCM-6316		
30 - 200 30 - 200 40 - 300 40 - 300 50 - 400	3/4" 1" 1" 1 1/2" 1"	RCM-6117 RCM-6118 RCM-6120 RCM-6121 RCM-6122	RCM-6217 RCM-6218 RCM-6220 RCM-6221 RCM-6222	RCM-6317 RCM-6318 RCM-6320 RCM-6321 RCM-6322	Extended Flange Size Add Suffix: -EF1 = 2 1/2" -EF2 = 5"	
50 - 400 50 - 400 50 - 600 50 - 600 100 - 800	1 1/2" 2" 1 1/2" 2" 1 1/2"	RCM-6123 RCM-6124 RCM-6125 RCM-6126 RCM-6127	RCM-6223 RCM-6224 RCM-6225 RCM-6226 RCM-6227	RCM-6323 RCM-6324 RCM-6325 RCM-6326 RCM-6327	-EF1	
100 - 800 150 - 1000 150 - 1000 150 - 1200 200 - 1500	2" 2" 3" 2" 4"	RCM-6128 RCM-6129 RCM-6130 RCM-6161 RCM-6134	RCM-6228 RCM-6229 RCM-6230 RCM-6261 -	RCM-6328 RCM-6329 RCM-6330 RCM-6361 RCM-6334	-EF1 -EF1 -EF1 -EF2	
300 - 2000 400 - 3000 400 - 3000 400 - 3000 500 - 4000	3" 3" 4" 6" 3"	RCM-6131 RCM-6132 RCM-6135 RCM-6136 RCM-6133	RCM-6231 RCM-6232 - - RCM-6233	RCM-6331 RCM-6332 RCM-6335 RCM-6336 RCM-6333	-EF2	
600 - 5000 600 - 5000 600 - 5000 800 - 6000 1000 - 8000	4" 6" 8" 4" 6"	RCM-6137 RCM-6138 RCM-6139 RCM-6140 RCM-6141	- - - - -	RCM-6337 RCM-6338 RCM-6339 RCM-6340 RCM-6341	-EF2 -EF2	
1000 - 8000 2000 -15000 2000 -15000 3000 -20000	8" 6" 8" 8"	RCM-6142 RCM-6143 RCM-6144 RCM-6145	- - - -	RCM-6342 RCM-6343 RCM-6344 RCM-6345		

KOBOLD model RCM-5000 & 6000 series flowmeters are designed for wafer style mounting between two adjoining flanges. As with all model RCM meters, a minimum of 10 PSIG back pressure is required for operation. The meter will fit between all standard 150 lb or 300 lb ANSI flanges, DIN PN 10 or PN 16 flanges, JIS and AS flanges. Installation requires flanges, flat gaskets and flange bolts provided by the user.

Order Numbers are a combination of the part number in the above table, and the Suffix designation for the desired options.

Example: A 6" Stainless Steel unit for 5000 SCFM Air with 4-20 mA transmitter and NEMA 4 gasketed case, flow to the right is:
Order Number = RCM-6338 + D2 + W = RCM-6338D2W.

When ordering, specify: Type of gas, operating inlet pressure and temperature, flow direction.



Output Specifications

Output Combinations

Output options may be combined in any fashion desired. However, choice on an electronic output option does limit the choice of other options. In particular, choice of option W, W2, W3, X or Y, precludes the selection of the following options:

- **Option D:** Gasketed Case
- **Option K:** Steam Service
- **Option N:** Ammonia Service
- **Option T:** High Temperature
- **Option 1S2:** Single SPDT Switch
- **Option 2S2:** Dual SPDT Switch

General to All Output Options

Electrical Rating: Gen. Purpose

Power Requirements:
24 VDC \pm 10%

Accuracy of Gauge with Outputs

Horizontal flow: \pm 3% F. S.

Vertical flow: \pm 5% F. S.

Maximum Temperature

Ambient: - 30 to 120 °F

Medium: - 30 to 212 °F



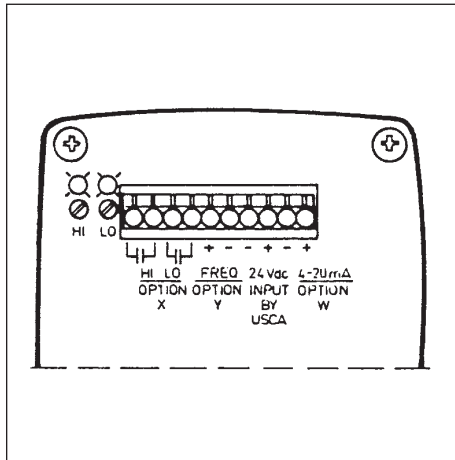
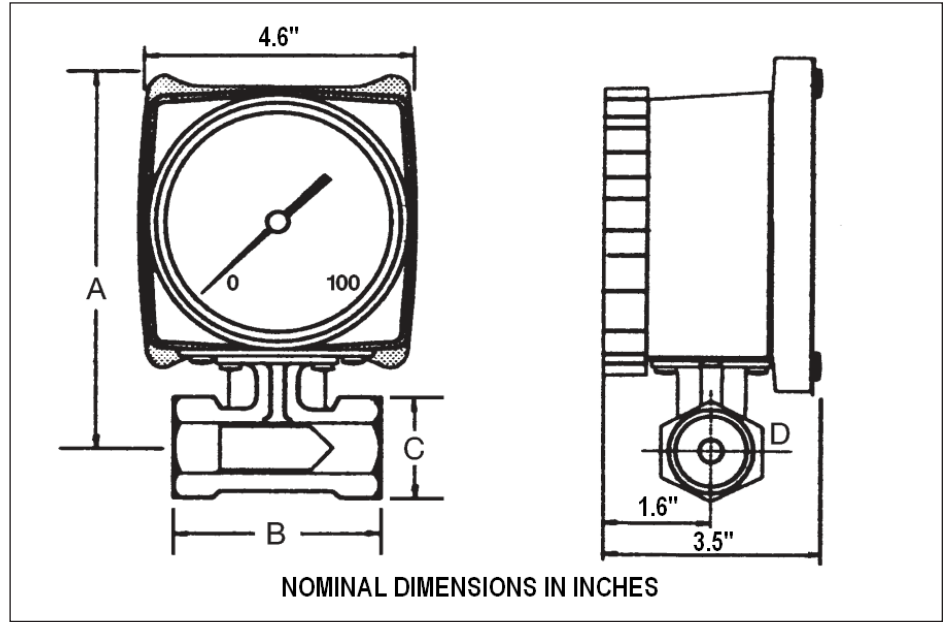
Option Ordering Information

Option	Description
1S2	Single SPDT Reed Switch, 3 W max, effective 30–90% of full scale (except options K, N, T, W, X, Y, Z)
2S2	Dual SPDT Reed Switches, 3 W max, effective 30–90% of full scale (except options K, N, T, W, X, Y, Z)
A	Viton® elastomer seals
B3	Optional EPDM elastomer seals
B5	Optional PTFE elastomer seals
C	Calibration for liquid specific gravity (SG < 0.95 or SG > 1.05)
D	Gasketed meter case, NEMA 4X (except options W, X, Y, Z)
D2	Gasketed case with 1/2" conduit box, NEMA 4X (options 1S2, 2S2, W, X, Y, Z)
E	Non-standard flow rate (special orifice)
EM	European Labeling w/CE Mark
ES	Low flow option
H	400 psig service rating
J	Peak Flow Indicator
K	Steam Service, scaled in lbs/hr (120 PSIG max, 350 °F service rating)
N	Ammonia service (Available with stainless steel only; not available with options W, X, Y, Z, 1S2, 2S2)
O2	Oxygen cleaning per ASTM G93-88 (requires option: "A" - Viton® seals)
P	Panel mounting kit (only 1" and smaller)
RW3	LCD rate & total display w/4-20 mA, Δ P transmitter, replaces analog dial (except options K, N, T, 1S2, 2S2)
T	350°F service rating, includes Viton® seals (except options: W, X, Y, Z)
V	Calibration for high viscosity liquid (5 cPs < viscosity < 500 cPs)
W	4–20 mA dc flow rate transmitter output, 24 VDC (except options K, N, T, 1S2, 2S2)
W2	4–20 mA Δ P transmitter with mechanical indicator (except options K, N, T, 1S2, 2S2, max. Δ P = 58 PSI)
W3	4–20 mA Δ P transmitter without indicator (except options K, N, T, 1S2, 2S2)
X	Two set point switches (Hi/Lo), 24 VDC (except options K, N, T, 1S2, 2S2)
Y	Frequency output 1000 Hz F. S., 24 VDC (except options K, N, T, 1S2, 2S2)
Z	Options W, X and Y combined (100 mA combined current draw)

Output Options

The RCM offers five powered output configurations to allow connection to a variety of electronic process control equipment. The position of the indicator arm is read by a Hall sensor and translated into the required electrical signal:

- Option W: 4–20 mA Flow Rate Transmitter
- Option W2: 4–20 mA Differential Pressure Transmitter
- Option W3: 4–20 mA Differential Pressure Transmitter w/o Indicator (Blind transmitter)
- Option X: High and Low Alarm Relay Output
- Option Y: 0–1000 Hz Frequency Output
- Option Z: Options W, X & Y combined



Body Size (IPS)	Dimensions				Net Weight (lbs)
	A	B	C	D	
1/4"	5.20"	3.06"	1.06"	1 1/16" Sq.	3.5
1/2"	5.20"	3.06"	1.06"	1 1/16" Sq.	3.5
3/4"	5.95"	3.06"	1.50"	1 1/4" Hex	3.6
1"	6.07"	3.06"	1.75"	1 1/2" Hex	3.8
1 1/2"	6.39"	3.06"	2.50"	2 1/8" Hex	4.5
2"	6.80"	3.19"	3.19"	2 3/4" Hex	6.1
3"	7.48"	4.19"	4.62"	4" Hex	13.0

Output Specifications

Analog Output: Option W Output

- Signal:** 4–20 mA, 4-wire, proportional to flow
- Load:** 800 Ohms max.
- Zero:** 15% of Full Scale
- Span:** 30% to 100% of Full Scale Flow
- Power:** 24 VDC ± 10%
50 mA max.

Analog Output: Option W2/W3 Output:

- 4–20 mA Proportional to Differential Pressure
- Load:** 250 Ohms max.
- Span:** 15% to 100% of Full Scale Orifice ΔP
- Power:** 24 VDC ± 10%

Subject to change without prior notice.

Alarm Relays: Option X

Two N/O limit relays are provided; one relay is configured as a minimum and the other as a maximum. Red and green LEDs indicate relay operation.

- Output:** 2 N/O Limit Relays
- Power:** 24 VDC ± 10%
50 mA max.

Contact Rating

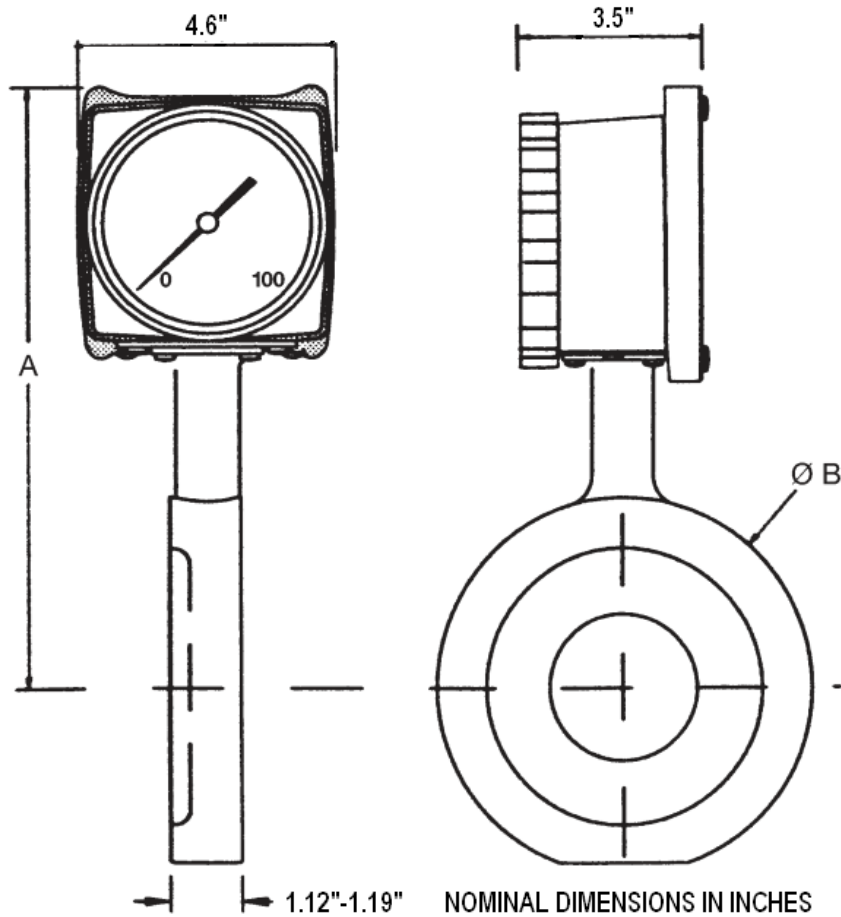
- AC:** 3.0 A @ 24 VAC
1.0 A @ 117 VAC
0.5 A @ 230 VAC
- DC:** 2.0 A @ 30 VDC
0.6 A @ 110 VDC
0.5 A @ 140 VDC

Frequency Output: Option Y

A 0–1000 Hz frequency output is available to drive pulse triggered controllers. The usable range is 30% to 100% of full scale flow.

- Output:** Frequency signal
0–1000 Hz
5 V peak
- Zero:** 15% of Full Scale
- Span:** 30% to 100% of Full Scale Flow
- Power:** 24 VDC ± 10%
50 mA max.

Nominal Dimensions of Wafer Style Meters



Size		Dimensions				Net Weight	
		A		B			
in	mm	in	mm	in	mm	lbs	kg
1/2	15	6.62	168	1.69	43	4	1.8
3/4	20	7.06	179	2.00	51	5	2.3
1	25	7.25	184	2.38	60	5	2.3
1 1/2	40	7.81	198	3.12	79	6	2.7
2	50	8.00	203	3.75	95	7	3.2
3	80	8.87	225	5.00	127	9	4.1
4	100	9.95	252	6.13	156	12	5.4
6	150	11.05	280	8.38	213	16	7.3
8	200	12.30	311	10.38	264	24	11

KOBOLD wafer style RCM flowmeters are designed for mounting between two adjoining flanges. The meter will fit between all standard 150 lb or 300 lb ANSI flanges, DIN PN 10 or PN 16 flanges, JIS and AS flanges.

Installation requires flanges, flat gaskets and flange bolts provided by the user.