



Parts Manual



Regent / 500 / 2500 Series Lawn Tractors & Mower Decks RMO

18.5HP Product

Mfg. No.	Description
2690589	Regent, 18.5HP B&S Hydro and 38" Mower Deck (CE/Export)
2690590	Regent, 18.5HP B&S Hydro and 44" Mower Deck (CE/Export)
2690591	Regent, 18.5HP B&S Hydro and 40" Mower Deck (CE/Export)
2690595	2518H, 18.5HP B&S Hydro and 44" Mower Deck (CE/Export)

18HP Product

Mfg. No.	Description
2690572	Regent, 18HP Kohler Hydro RMO and 38" Mower Deck
2690581	2518H, 18HP Kohler Hydro RMO and 38" Mower Deck
2690585	Regent, 18HP Kohler Hydro and 38" Mower Deck

20HP Product

Mfg. No.	Description
2690573	Regent, 20HP B&S Hydro RMO and 38" Mower Deck
2690574	Regent, 20HP Kohler Hydro RMO and 44" Mower Deck
2690582	2520H, 20HP B&S Hydro RMO and 38" Mower Deck
2690586	520H, 20HP B&S Hydro RMO and 38" Mower Deck
2690592	Regent, 20HP B&S Hydro and 44" Mower Deck (CE/Export)

22HP Product

Mfg. No.	Description
2690575	Regent, 22HP B&S Hydro RMO and 44" Mower Deck
2690583	2522H, 22HP B&S Hydro RMO and 44" Mower Deck
2690587	522H, 22HP B&S Hydro RMO and 44" Mower Deck
2690614	Regent, 22HP B&S Hydro (CE/Export) TRACTOR ONLY

24HP Product

Mfg. No.	Description
2690576	Regent, 24HP B&S Hydro RMO and 50" Mower Deck
2690584	2524H, 24HP B&S Hydro RMO and 50" Mower Deck
2690588	524H, 24HP B&S Hydro RMO and 50" Mower Deck

Mower Decks

Mfg. No.	Description
1695129	38" Mower Deck
1695132	38" Mower Deck
1695142	38" Mower Deck (CE/Export)
1695130	44" Mower Deck
1695133	44" Mower Deck
1695143	44" Mower Deck (CE/Export)
1695145	44" Mower Deck (CE/Export)
1695131	50" Mower Deck
1695134	50" Mower Deck

Part No.: 1734919

Rev. 10/2007

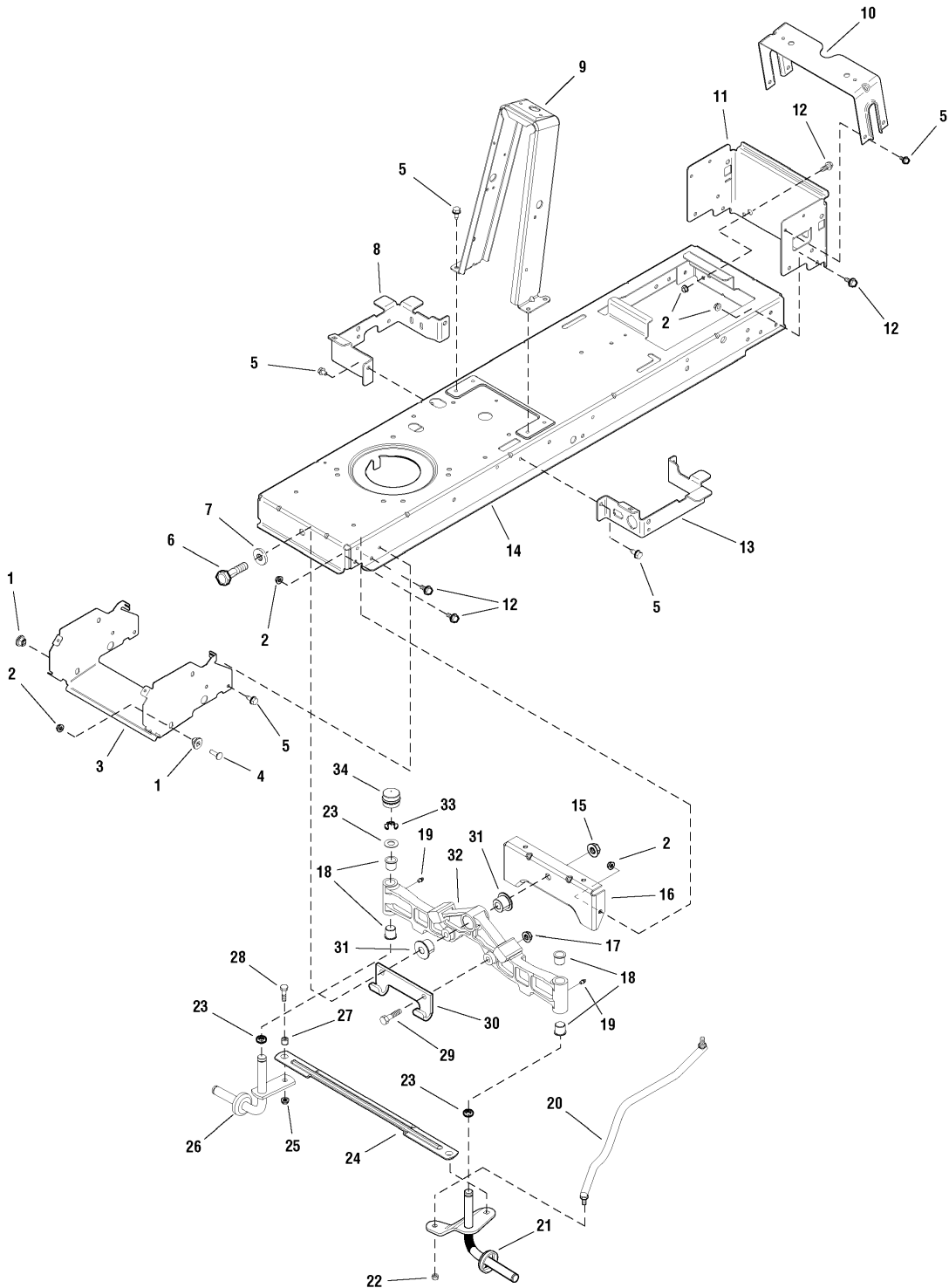
TP 400-4586-02-RG-SMA

PRODUCT COMPONENTS	PAGES
Frame & Front Axle Group	4
Steering Group	6
Engine Group	8
Transmission Group	10
Controls Group	12
Electrical Group	14
Hood, Grille & Dash Group	18
Seat Deck & Fuel Tank Group	20
Lift Group - Manual	22
Wheels & Tires Group	24
Decals Group - Brand & Model	26
Decals Group - Safety & Common Group	28
38" Mower Deck - Belt, Idler Arm & Hitch Group	30
38" Mower Deck - Height Adjustment & Roller Bar Group	32
38" Mower Deck - Housing & Arbor Group	36
40" Mower Deck - Belt, Idler Arm & Hitch Group	38
40" Mower Deck - Height Adjustment & Roller Bar Group	40
40" Mower Deck - Housing, Arbors & Blades Group	44
44" & 50" Mower Deck - Belt, Idler Arm & Hitch Group	46
44" & 50" Mower Deck - Height Adjust & Roller Group	48
44" Mower Deck - Housing, Arbors & Blades Group	52
50" Mower Deck - Housing & Arbor Group	54
Torque Specification Chart	Inside Back Cover

Frame & Front Axle Group

986847

NOTE: Unless noted otherwise,
use the standard hardware torque
specification chart.



The above parts group applies to the following Mfg. Nos.:

2690572 - Regent	2690582 - 2520H	2690588 - 524H	2690614 - Regent
2690573 - Regent	2690583 - 2522H	2690589 - Regent	
2690574 - Regent	2690584 - 2524H	2690590 - Regent	
2690575 - Regent	2690585 - Regent	2690591 - Regent	
2690576 - Regent	2690586 - 520H	2690592 - Regent	
2690581 - 2518H	2690587 - 522H	2690595 - 2518H	

Frame & Front Axle Group

REF NO	PART NO.	QTY.	DESCRIPTION
1	1728086SM	2	PIVOT, Hood Powdered Metal
2	1931277SM	16	NUT, Hex, Flange Whizlock, 5/16-18
3	1727982ASM	1	SUPPORT, Muffler, Hood 14GA
4	1931335SM	2	CARRIAGE BOLT, 5/16-18 x 1
5	1930601SM	14	SCREW, Taptite, 5/16-18 x 5/8
6	2860744SM	1	CAPSCREW, Hex Head, 5/8-11 x 3-1/4 G5
7	1960035SM	1	WASHER, Flat, 5/8
8	1727904ASM	1	SUPPORT, Front Footrest RH
9	1727260ASM	1	TOWER, 12GA
10	1731310ASM	1	SUPPORT, Seat Deck 12GA
11	1731309ASM	1	SUPPORT, Rear Frame 12GA
12	1930591SM	14	CAPSCREW, Hex Head, Flange Whiz Lock, 5/16-18 x 3/4
13	1727905ASM	1	SUPPORT, Front Footrest LH
14	1727901ASM	1	FRAME, 12GA
15	2860646SM	1	NUT, Hex Flange Two-Way Lock, 5/8-11
16	1727902ASM	1	PLATE, Axle Support
17	1930650SM	2	LOCKNUT, Hex, Flange, 7/16-14
18	2176440SM	4	BUSHING, Nylon, 3/4 Diameter
19	1704314SM	3	FITTING, Zerk
20	1727868SM	1	LINK, Drag
21	1727873ASM	1	SPINDLE & ARM ASSEMBLY, LH
22	1960747SM	2	NUT, Hex Nylock 3/8-24
23	1960160SM	4	WASHER, 3/4
24	1728080ASM	1	ROD, Tie
25	1930645SM	2	NUT, Hex, Flange, Locking, 3/8-16
26	1727872ASM	1	SPINDLE & CUP ASSEMBLY, RH
27	1731912SM	2	BUSHING, Powdered Metal
28	1960032SM	2	CAPSCREW, Hex Head, 3/8-16 x 1-1/4, .141 Thread G5
29	1927531SM	2	CAPSCREW, 7/16-14 x 2
30	1721918ASM	1	HOOK, "J"
31	1730186SM	2	BUSHING, Axle Pivot Powdered Metal
32	1728018SM	1	AXLE, Front Iron Casting Machined
33	1611710SM	2	RING, Klipring Extension
34	1726504SM	2	CAP, Hub

Footnotes

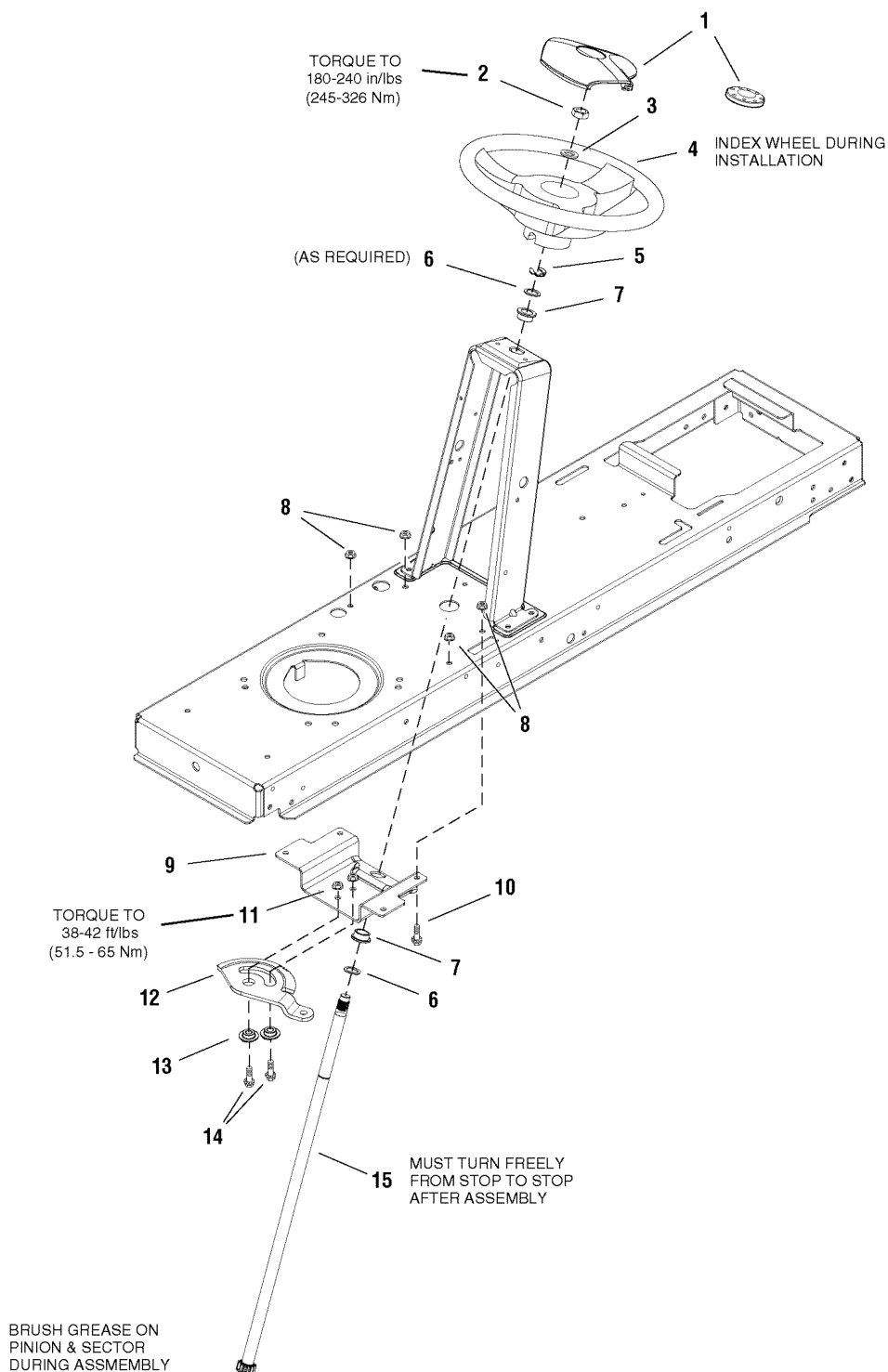
The above parts group applies to the following Mfg. Nos.:

2690572 - Regent	2690582 - 2520H	2690588 - 524H	2690614 - Regent
2690573 - Regent	2690583 - 2522H	2690589 - Regent	
2690574 - Regent	2690584 - 2524H	2690590 - Regent	
2690575 - Regent	2690585 - Regent	2690591 - Regent	
2690576 - Regent	2690586 - 520H	2690592 - Regent	
2690581 - 2518H	2690587 - 522H	2690595 - 2518H	

Steering Group

986843

NOTE: Unless noted otherwise, use the standard hardware torque specification chart.



The above parts group applies to the following Mfg. Nos.:

2690572 - Regent	2690582 - 2520H	2690588 - 524H	2690614 - Regent
2690573 - Regent	2690583 - 2522H	2690589 - Regent	
2690574 - Regent	2690584 - 2524H	2690590 - Regent	
2690575 - Regent	2690585 - Regent	2690591 - Regent	
2690576 - Regent	2690586 - 520H	2690592 - Regent	
2690581 - 2518H	2690587 - 522H	2690595 - 2518H	

Steering Group

REF NO	PART NO.	QTY.	DESCRIPTION
1	1722319SM	1	CAP, Steering Wheel
1	1725024SM	1	CAP, Steering Wheel, Plain
2	1960576SM	1	NUT, Hex Lock, ESNA Light, 5/8-18, Thin
3	1924366SM	1	WASHER, 5/8
4	1728069SM	1	STEERING WHEEL, w/Aluminum Insert
5	1611710SM	1	RING, Klipring Extension
6	1960114SM	2	WASHER
7	1729665SM	2	BUSHING, Steering
8	1931277SM	4	NUT, Hex, Flange Whizlock, 5/16-18
9	1727940ASM	1	BRACKET, Sector Support
10	1930591SM	4	CAPSCREW, Hex Head, Flange Whiz Lock, 5/16-18 x 3/4
11	1931211SM	2	NUT, Whizlock, 3/8-16
12	1728027SM	1	GEAR, Steering, 26 teeth
13	1728122SM	2	SPACER, Sector Gear 0.374ID 1.25OD Powdered Metal Yellow
14	1934654SM	2	CAPSCREW, Hex, Flange, Whizlock, 3/8-16 x 1
15	1727813SM	1	SHAFT, Steering Gear & Spline Yellow

Footnotes

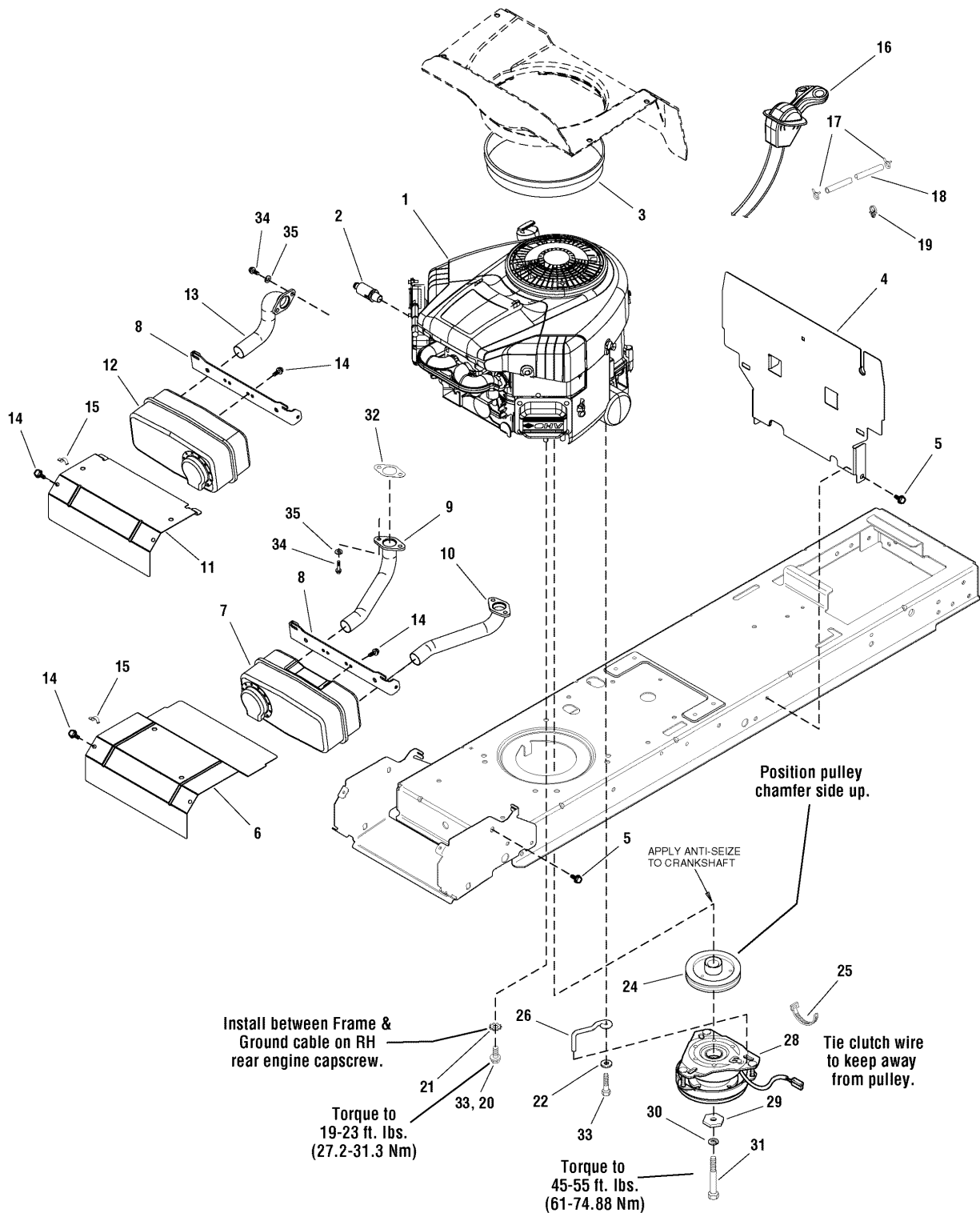
The above parts group applies to the following Mfg. Nos.:

2690572 - Regent	2690582 - 2520H	2690588 - 524H	2690614 - Regent
2690573 - Regent	2690583 - 2522H	2690589 - Regent	
2690574 - Regent	2690584 - 2524H	2690590 - Regent	
2690575 - Regent	2690585 - Regent	2690591 - Regent	
2690576 - Regent	2690586 - 520H	2690592 - Regent	
2690581 - 2518H	2690587 - 522H	2690595 - 2518H	

Engine Group

987440

NOTE: Unless noted otherwise, use the standard hardware torque specification chart.



The above parts group applies to the following Mfg. Nos.:

2690572 - Regent	2690582 - 2520H	2690588 - 524H	2690614 - Regent
2690573 - Regent	2690583 - 2522H	2690589 - Regent	
2690574 - Regent	2690584 - 2524H	2690590 - Regent	
2690575 - Regent	2690585 - Regent	2690591 - Regent	
2690576 - Regent	2690586 - 520H	2690592 - Regent	
2690581 - 2518H	2690587 - 522H	2690595 - 2518H	

Engine Group

REF NO	PART NO.	QTY.	DESCRIPTION
1	*	1	ENGINE, 18HP Kohler Single Courage Pro - Model # SV540S-18 HP Spec #PS-SV540-0017
1	**	1	ENGINE, 18.5HP Briggs & Stratton Intek - Model # 31Q777 Type # 0113-B1
1	*	1	ENGINE, 20HP Kohler Single Courage - Model # SV600S Engine Spec # PS-SV600-0023
1	**	1	ENGINE, 20HP Briggs & Stratton Twin Intek - Model # 40G777 Type # 0400-E1
1	**	1	ENGINE, 22HP Briggs & Stratton Twin Intek - Model # 44k777 Type # 0115-E1
1	**	1	ENGINE, 24HP Briggs & Stratton Twin Intek - Model # 44M777 Type # 0113-E1
2	1717473SM	1	VALVE, Shut Off Oil Drain
3	1731970SM	1	SEAL, Short
3	1731971SM	1	SEAL, Long (B&S Single)
4	1728058ASM	1	SHIELD, Heat
5	1930601SM	4	SCREW, Hex Washer Head Taptite 5/16-18 x 5/8
6	1727997ASM	1	SHIELD, Heat (B&S Twin)
7	1727994SM	1	MUFFLER (B&S Twin)
8	1727976ASM	1	BRACKET, Muffler Mount
9	1727979SM	1	PIPE, Exhaust R.H. (B&S Twin)
10	1727980SM	1	PIPE, Exhaust L.H. (B&S Twin)
11	1727996ASM	1	SHIELD, Heat (B&S & Kohler Single)
12	1727993SM	1	MUFFLER (B&S & Kohler Single)
13	1727978SM	1	PIPE, Exhaust (Kohler Single)
13	1728959SM	1	PIPE, Exhaust (B&S Single)
14	1925003SM	4	SCREW, Hex Washer Head Taptite 1/4-20 x 1/2
15	2834683SM	1	CLIP, Speed Wire
16	1731409SM	1	CONTROL, Throttle Double (Kohler Single)
16	1731410SM	1	CONTROL, Throttle Double (B&S Single)
16	1731411SM	1	CONTROL, Throttle Double (B&S Twin)
17	2860112SM	2	CLAMP, Hose
18	1732001SM	1	HOSE, Fuel
19	1730268SM	2	CLIP, Hose
20	2827187SM	3	SCREW, Hex Washer Head Taptite 3/8-16 x 1 (B&S Single)
21	2820427SM	1	LOCKWASHER, External Tooth 3/8
22	1924940SM	1	WASHER, 3/8
24	1732576SM	1	PULLEY & HUB ASSEMBLY, Engine
25	1701011SM	1	TIE, Self Locking
26	1732875SM	1	RETAINER, Clutch
28	1731275SM	1	CLUTCH, Electric OGURA
29	1708264SM	1	WASHER, Hex
30	1918199SM	1	LOCKWASHER, Spring
31	1960649SM	1	CAPSCREW, Hex Head 7/16-20 x 3-1/2 G5
32	1731214SM	1	GASKET, Exhaust (B&S Only)
33	2828635SM	4/1	SCREW, Hex Washer Head Taptite 3/8-16 x 1-1/4
34	1936228SM	2	CAPSCREW, Hex Socket Head 5/16-18 x 3/4 G8 (B&S Only)
35	1917356SM	2	LOCKWASHER, Spring 5/16 (B&S Only)

Footnotes

NOTE* See your local Kohler distributor for parts and service.

NOTE* See your local Kohler distributor for parts and service.

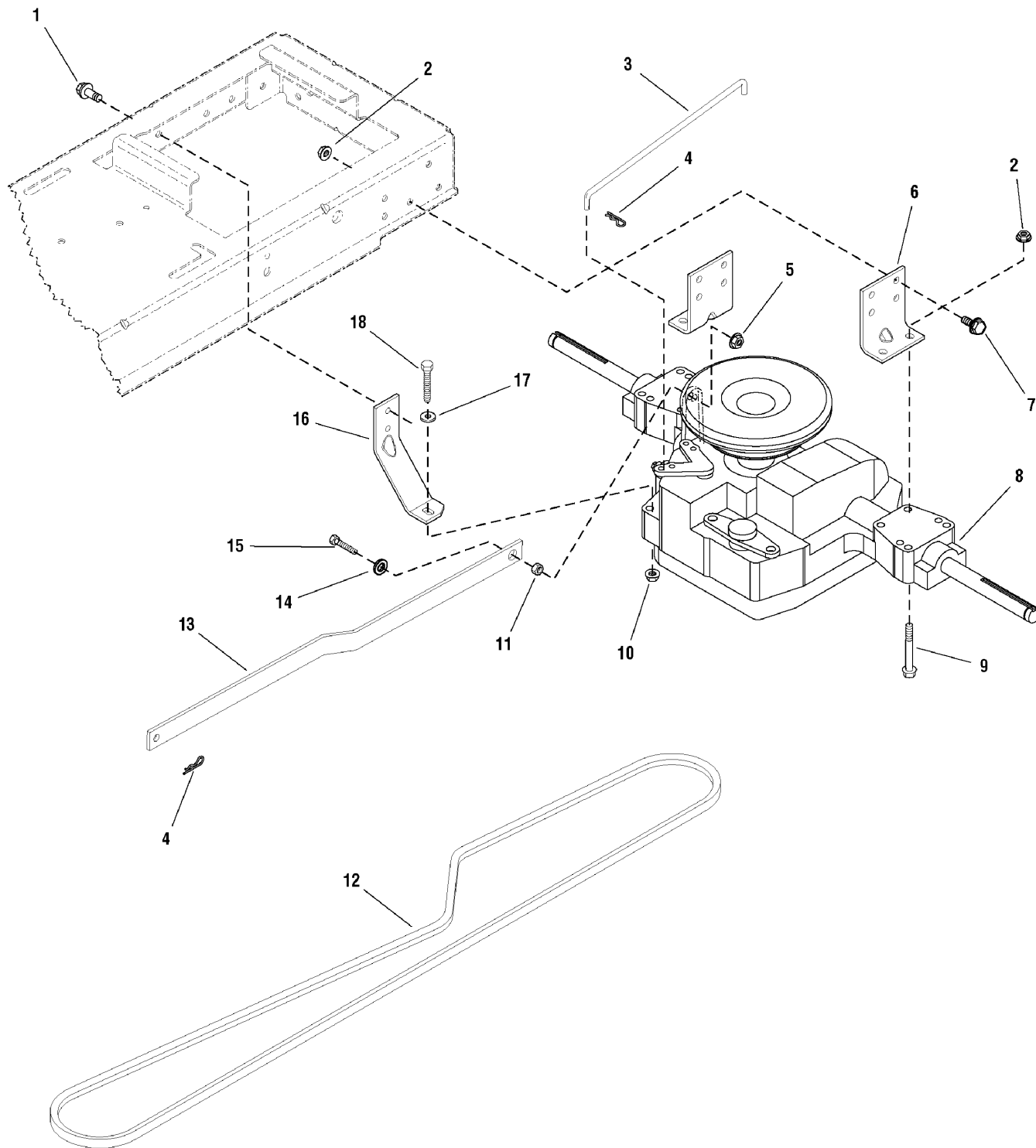
The above parts group applies to the following Mfg. Nos.:

2690572 - Regent	2690582 - 2520H	2690588 - 524H	2690614 - Regent
2690573 - Regent	2690583 - 2522H	2690589 - Regent	
2690574 - Regent	2690584 - 2524H	2690590 - Regent	
2690575 - Regent	2690585 - Regent	2690591 - Regent	
2690576 - Regent	2690586 - 520H	2690592 - Regent	
2690581 - 2518H	2690587 - 522H	2690595 - 2518H	

Transmission Group

987060

NOTE: Unless noted otherwise, use the standard hardware torque specification chart.



The above parts group applies to the following Mfg. Nos.:

2690572 - Regent	2690582 - 2520H	2690588 - 524H	2690614 - Regent
2690573 - Regent	2690583 - 2522H	2690589 - Regent	
2690574 - Regent	2690584 - 2524H	2690590 - Regent	
2690575 - Regent	2690585 - Regent	2690591 - Regent	
2690576 - Regent	2690586 - 520H	2690592 - Regent	
2690581 - 2518H	2690587 - 522H	2690595 - 2518H	

Transmission Group

REF NO	PART NO.	QTY.	DESCRIPTION
1	1664847SM	1	CAPSCREW, Hex Head, Taptite, 5/16-18 x 3/4
2	1931277SM	8	NUT, Hex, Flange Whizlock, 5/16-18
3	1728120SM	1	ROD, Bypass, 11.44 LG Yellow
4	1722460SM	2	PIN, Quick
5	1960686SM	1	NUT, Hex Flange, 5/16-18 ESNA
6	1727903ASM	2	SUPPORT, Transmission
7	1930591SM	4	CAPSCREW, Hex Head, Flange Whiz Lock, 5/16-18 x 3/4
8	1729588SM	1	TRANSMISSION ASSEMBLY, K46BP
8	1729589SM	1	TRANSMISSION ASSEMBLY, K46BL (Used with 22" Tire Models)
9	1960586SM	4	SCREW, Hex Head Flange Lock, 5/16-18 x 2-1/2
10	1960686SM	1	NUT, Hex Flange, 5/16-18 ESNA
11	1666697SM	1	SPACER
18	1922127SM	1	CAPSCREW, Hex Head, 5/16-18 x 1-3/4
12	1728008SM	1	V-BELT, Drive Belt, Aramid/Kevlar
13	1727258ASM	1	ARM, Control 7GA
14	1919326SM	1	WASHER, Flat, 5/16
15	1921333SM	1	CAPSCREW, Hex Head, 5/16-18 x 1
16	1728043ASM	1	STRAP, Torque 7 GA
17	1919381SM	1	WASHER, Plain, 5/16

Footnotes

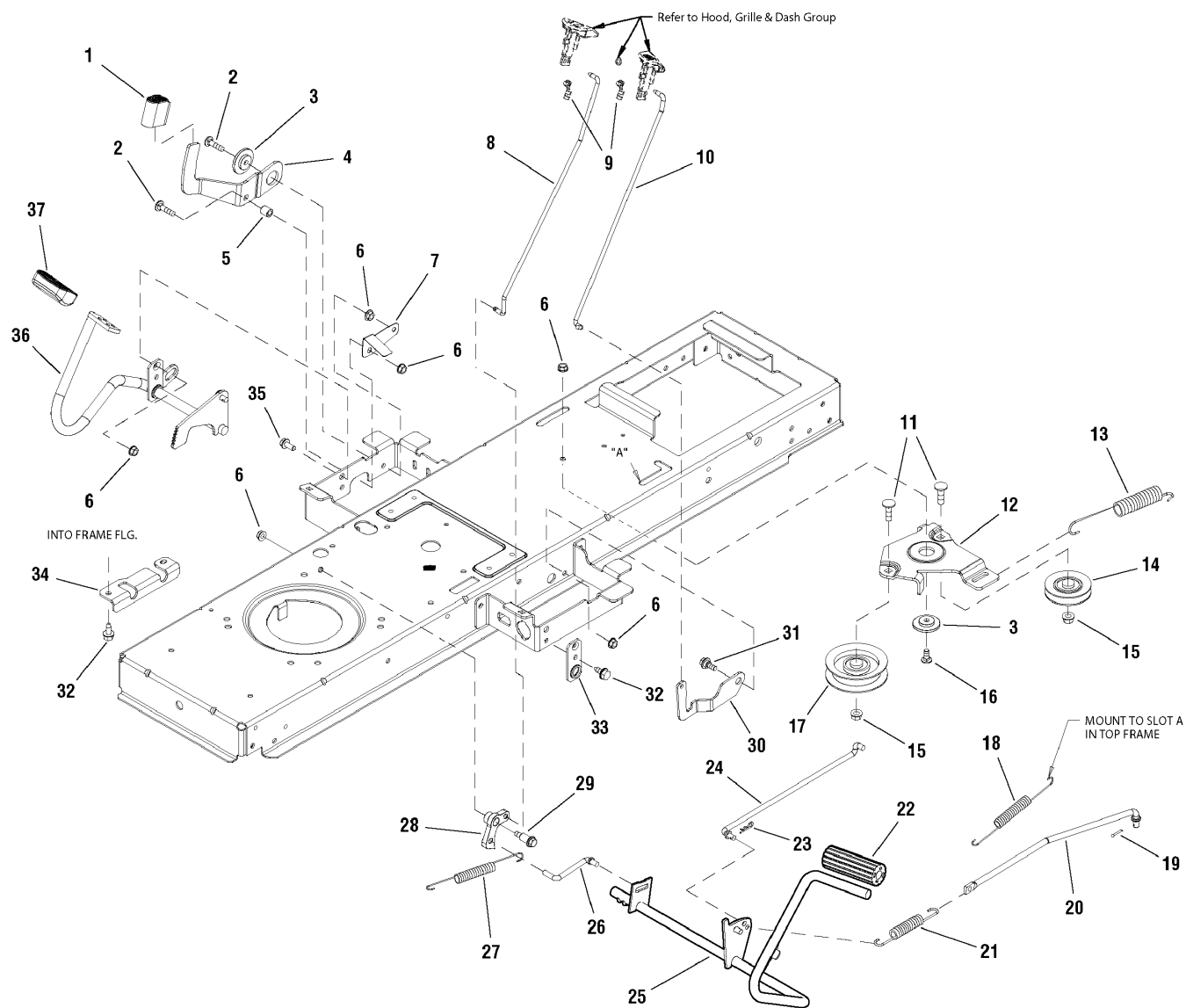
The above parts group applies to the following Mfg. Nos.:

2690572 - Regent	2690582 - 2520H	2690588 - 524H	2690614 - Regent
2690573 - Regent	2690583 - 2522H	2690589 - Regent	
2690574 - Regent	2690584 - 2524H	2690590 - Regent	
2690575 - Regent	2690585 - Regent	2690591 - Regent	
2690576 - Regent	2690586 - 520H	2690592 - Regent	
2690581 - 2518H	2690587 - 522H	2690595 - 2518H	

Controls Group

986842

NOTE: Unless noted otherwise, use the standard hardware torque specification chart.



The above parts group applies to the following Mfg. Nos.:

2690572 - Regent	2690582 - 2520H	2690588 - 524H	2690614 - Regent
2690573 - Regent	2690583 - 2522H	2690589 - Regent	
2690574 - Regent	2690584 - 2524H	2690590 - Regent	
2690575 - Regent	2690585 - Regent	2690591 - Regent	
2690576 - Regent	2690586 - 520H	2690592 - Regent	
2690581 - 2518H	2690587 - 522H	2690595 - 2518H	

Controls Group

REF NO	PART NO.	QTY.	DESCRIPTION
1	1727259SM	1	PAD, Foot Pedal Reverse
2	1960223SM	2	CARRIAGE BOLT, 5/16-18 x 1-1/4
3	1727935SM	2	SPACER, Pivot 0.330ID 1.76OD .37TH Powdered Metal
4	1727246ASM	1	PEDAL, Reverse
5	1728024SM	1	SPACER, Foot Pedal Powdered Metal
6	1931277SM	6	NUT, Hex, Flange Whizlock, 5/16-18
7	1728025SM	1	ACTUATOR, RMO Switch 20GA
8	1727898SM	1	ROD, Cruise Latch, 16.97LG
9	1728111SM	2	CLIP, Linkage, Black
10	1727267SM	1	ROD, Parking Brake, 16.38 LG Yellow
11	1960268SM	2	CARRIAGE BOLT, 3/8-16 x 1-1/4
12	1727894ASM	1	BRACKET, Idler 7GA
13	1729620SM	1	SPRING, Extension 07.52 LG Black
14	1728001SM	1	PULLEY, 3 OD Plastic
15	1960687SM	2	NUT, Hex Flange, 3/8-16 ESNA
16	1931335SM	1	CARRIAGE BOLT, 5/16-18 x 1
17	1728000SM	1	PULLEY, Idler
18	1721995SM	1	SPRING, Extension
19	1918447SM	1	PIN, Cotter 3/32 x 3/4
20	1727253SM	1	ROD, Brake, 15.1 LG
21	1731262SM	1	SPRING, Extension 05.37 LG Black
22	1727261SM	1	PEDAL, Brake Rubber
23	1722460SM	1	PIN, Quick
24	1727254SM	1	ROD, Brake Return, 12.60 LG
25	1727252ASM	1	PEDAL ASSEMBLY, Brake
26	1727899SM	1	ROD, Cruise Latch, 2.83 LG
27	2159181SM	1	SPRING, Tension, Clutch
28	1727897SM	1	LATCH, Cruise Powdered Metal
29	1728976SM	1	BOLT, Shoulder 5/16-18 G5
30	1727269ASM	1	LATCH, Brake Lock 10GA
31	1729576SM	1	BOLT, Shoulder 5/16-18 G5
32	1930601SM	3	SCREW, Taptite, 5/16-18 x 5/8
33	1727911ASM	1	PLATE, Bearing
34	1727909ASM	1	BRACKET, Pedal Pivot 10GA
35	1930591SM	1	CAPSCREW, Hex Head, Flange Whiz Lock, 5/16-18 x 3/4
36	1727250ASM	1	PEDAL ASSEMBLY, Forward
37	1721675SM	1	PAD, Foot Pedal Forward

Footnotes

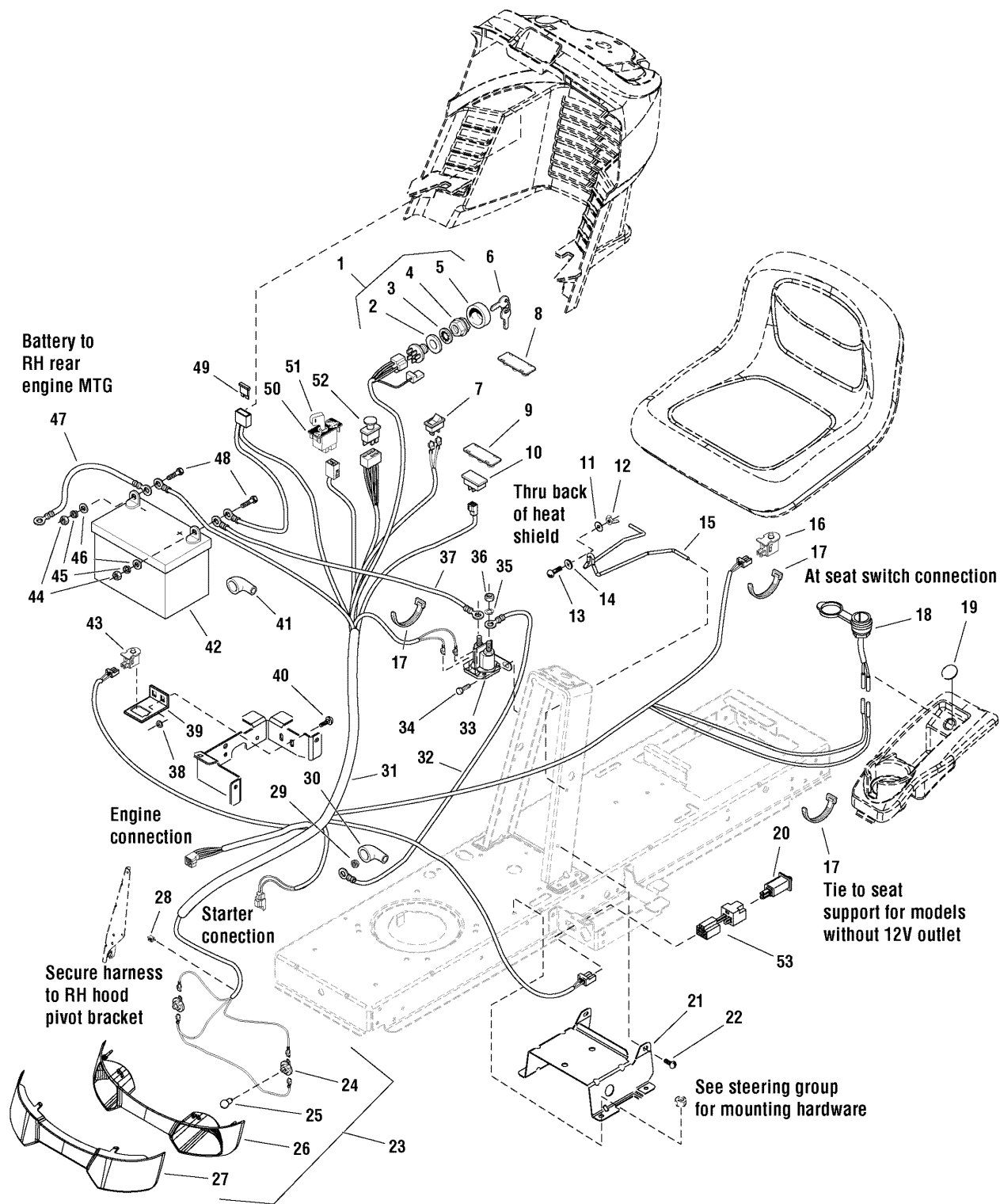
The above parts group applies to the following Mfg. Nos.:

2690572 - Regent	2690582 - 2520H	2690588 - 524H	2690614 - Regent
2690573 - Regent	2690583 - 2522H	2690589 - Regent	
2690574 - Regent	2690584 - 2524H	2690590 - Regent	
2690575 - Regent	2690585 - Regent	2690591 - Regent	
2690576 - Regent	2690586 - 520H	2690592 - Regent	
2690581 - 2518H	2690587 - 522H	2690595 - 2518H	

Electrical Group

986851

NOTE: Unless noted otherwise, use the standard hardware torque specification chart.



The above parts group applies to the following Mfg. Nos.:

2690572 - Regent	2690582 - 2520H	2690588 - 524H	2690614 - Regent
2690573 - Regent	2690583 - 2522H	2690589 - Regent	
2690574 - Regent	2690584 - 2524H	2690590 - Regent	
2690575 - Regent	2690585 - Regent	2690591 - Regent	
2690576 - Regent	2690586 - 520H	2690592 - Regent	
2690581 - 2518H	2690587 - 522H	2690595 - 2518H	

Electrical Group

REF NO	PART NO.	QTY.	DESCRIPTION
53	1734025SM	1	WIRING ASSEMBLY, All Conditions Shutdown (CE/Export)
1	1686734SM	1	SWITCH ASSEMBLY, Ignition, 6-Pole (Includes Ref. 2, 3, 4 & 5)
2	2101025SM	1	WASHER, 5/8
3	1960547SM	1	LOCKWASHER, Internal Tooth, 5/8
4	1717549SM	1	NUT, Hex, Flange, 5/8-32
5	1717550SM	1	COVER, Ignition
6	1717163SM	1	IGNITION KEY (Set of 2)
7	1716951SM	1	SWITCH, Headlights, 2 Terminal
8	1722611SM	1	PLUG, Hole, Square
9	1729993SM	1	PLUG, Hour Meter (Kohler and B&S Single)
10	1728068SM	1	METER, Hour, LCD (B&S V-Twin Only)
11	1960353SM	1	WASHER, Plain, 1/4 (6 Total for Export)
12	2860293SM	1	NUT, Wing, 1/4-20
13	1931318SM	1	CARRIAGE BOLT, 1/4-20 x 7/8
14	1960518SM	1	NUT, Push On
15	1730007SM	1	HOLD DOWN, Battery
16	1732005SM	1	SWITCH, Push Button (NC)
17	1701011SM	3	TIE, Self Locking 7-5/16
18	7073090SM	1	OUTLET, 12 Volt DC Power
19	1732007SM	1	PLUG, Hole Models W/O 12V Adapter
20	1732006SM	1	SWITCH, Push Button (NO/NC)
21	1727282ASM	1	SUPPORT, Battery 12 GA
22	1930601SM	4	SCREW, Taptite, 5/16-18 x 5/8
23	1727296SM	1	HEADLIGHT ASSEMBLY (Includes Ref. 24, 25, 26 & 27)
24	1723451SM	2	SOCKET ASSEMBLY
25	1677371SM	2	BULB, 1141-12V 21CP
26	1728973	1	REFLECTOR, Headlight
27	1728974	1	LENS, Headlight
28	2834683SM	1	CLIP, Speed Wire
29	1960294SM	1	NUT, Hex, Flange, 1/4-20
30	1713535SM	1	COVER, Terminal
31	1728097SM	1	HARNESS, Wiring
32	1721830SM	1	CABLE, Solenoid to Starter
33	1728963SM	1	SOLENOID
34	1925003SM	2	SCREW, Taptite, 1/4-20 x 1/2
35	2820426SM	2	LOCKWASHER, External Tooth, 5/16
36	2820263SM	2	NUT, Hex, 5/16-24 NF
36	1685215SM	1	BATTERY
37	1716549SM	1	CABLE, #6 x 10 Long, with 2 Ring Terminals, Battery to Solenoid
38	1931277SM	2	NUT, Hex, Flange Whizlock, 5/16-18
39	1728026ASM	1	SUPPORT, RMO Switch
40	1931333SM	2	CARRIAGE BOLT, 5/16-18 x 3/4
41	1677296SM	1	BOOT, Insulator
42	1685215SM	1	BATTERY
43	1732004SM	1	SWITCH, Push Button (NO), Reverse Pedal

Footnotes

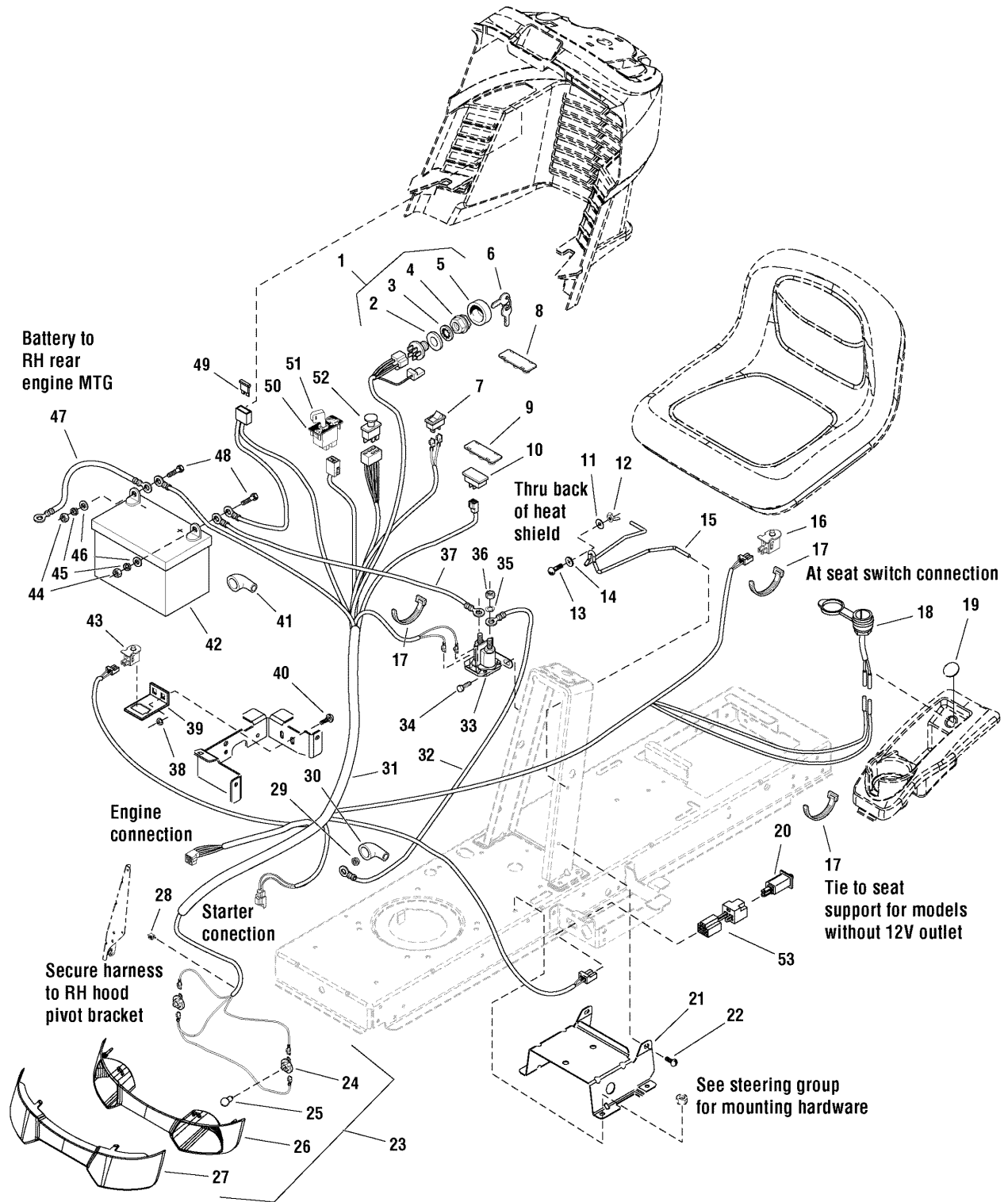
The above parts group applies to the following Mfg. Nos.:

2690572 - Regent	2690582 - 2520H	2690588 - 524H	2690614 - Regent
2690573 - Regent	2690583 - 2522H	2690589 - Regent	
2690574 - Regent	2690584 - 2524H	2690590 - Regent	
2690575 - Regent	2690585 - Regent	2690591 - Regent	
2690576 - Regent	2690586 - 520H	2690592 - Regent	
2690581 - 2518H	2690587 - 522H	2690595 - 2518H	

Electrical Group

986851

NOTE: Unless noted otherwise, use the standard hardware torque specification chart.



The above parts group applies to the following Mfg. Nos.:

2690572 - Regent	2690582 - 2520H	2690588 - 524H	2690614 - Regent
2690573 - Regent	2690583 - 2522H	2690589 - Regent	
2690574 - Regent	2690584 - 2524H	2690590 - Regent	
2690575 - Regent	2690585 - Regent	2690591 - Regent	
2690576 - Regent	2690586 - 520H	2690592 - Regent	
2690581 - 2518H	2690587 - 522H	2690595 - 2518H	

Electrical Group

REF NO	PART NO.	QTY.	DESCRIPTION
44	2816622SM	2	NUT, Hex, Full, 1/4-20
45	2816964SM	2	LOCKWASHER, 1/4
46	2821319SM	2	WASHER, 1/4 I.D.
47	1713163SM	1	CABLE, Battery to Ground
48	2823341SM	2	CAPSCREW, Hex Head, 1/4-20 x 3/4
49	1731957SM	1	FUSE, Wiring Harness
50	1726556SM	1	NO-MOW MODULE
51	1726557SM	1	KEY, w/Hang Tag for RMO Module
52	1722887SM	1	SWITCH, PTO, Push/Pull Symbols

Footnotes

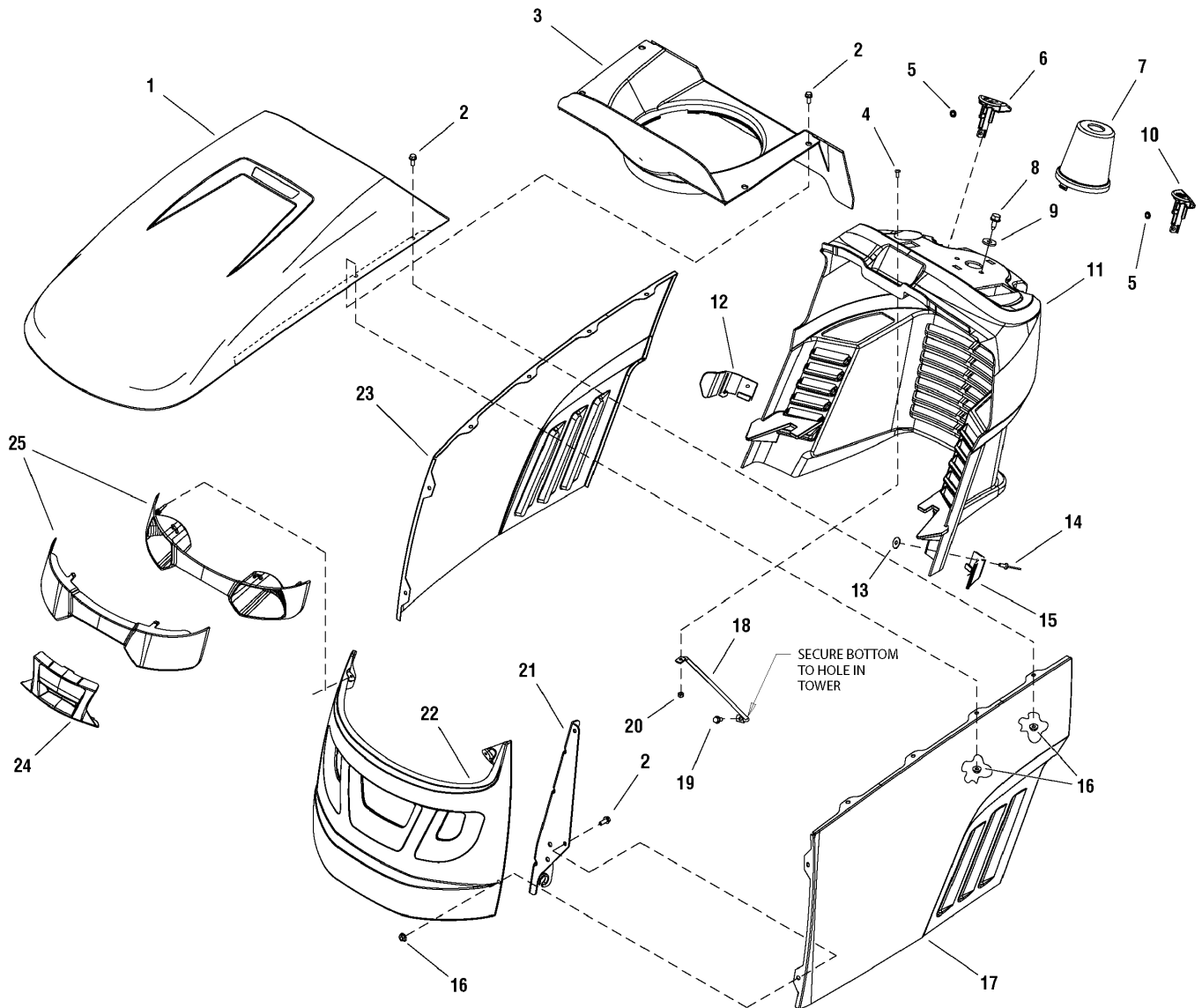
The above parts group applies to the following Mfg. Nos.:

2690572 - Regent	2690582 - 2520H	2690588 - 524H	2690614 - Regent
2690573 - Regent	2690583 - 2522H	2690589 - Regent	
2690574 - Regent	2690584 - 2524H	2690590 - Regent	
2690575 - Regent	2690585 - Regent	2690591 - Regent	
2690576 - Regent	2690586 - 520H	2690592 - Regent	
2690581 - 2518H	2690587 - 522H	2690595 - 2518H	

Hood, Grille & Dash Group

986844

NOTE: Unless noted otherwise,
use the standard hardware torque
specification chart.



The above parts group applies to the following Mfg. Nos.:

2690572 - Regent	2690582 - 2520H	2690588 - 524H	2690614 - Regent
2690573 - Regent	2690583 - 2522H	2690589 - Regent	
2690574 - Regent	2690584 - 2524H	2690590 - Regent	
2690575 - Regent	2690585 - Regent	2690591 - Regent	
2690576 - Regent	2690586 - 520H	2690592 - Regent	
2690581 - 2518H	2690587 - 522H	2690595 - 2518H	

Hood, Grille & Dash Group

REF NO	PART NO.	QTY.	DESCRIPTION
1	1722110DSM	1	HOOD, with Louver, (Red)
1	1722110CSM	1	HOOD, with Louver, (Orange)
2	1960295SM	12	CAPSCREW, Whizlock, 1/4-20 x 5/8
3	1731891SM	1	DUCT, Air Inlet Plastic
4	1723123SM	1	ROD, Dash Support
5	1960518SM	2	NUT, Push Pal
6	1728090SM	1	KNOB, Cruise Lock Green Plastic
7	1727999SM	1	COVER, Steering Shaft Plastic
8	1664847SM	2	CAPSCREW, Hex Head, Taptite, 5/16-18 x 3/4
9	1919381SM	2	WASHER, Plain, 5/16
10	1728089SM	1	KNOB, Brake Lock Plastic
11	1727293SM	1	DASHBOARD
12	1732031SM	1	GUIDE, Hood RH
13	1960096SM	2	WASHER
14	1928707SM	2	RIVET, Pop, Stem Black
15	1732030SM	1	GUIDE, Hood LH
16	1930641SM	12	NUT, Hex Flange Whiz, 1/4-20
17	1728030DSM	1	PANEL, Hood LH Side (Red)
17	1728030CSM	1	PANEL, Hood LH Side (Orange)
18	1933896SM	1	NUT, Hex, Nylon, Lock, #10-24
19	1925003SM	1	SCREW, Self-Tap
20	1728975SM	1	INSERT, Lightbar
21	1727280ASM	1	HINGE, Hood RH
21	1727279ASM	1	HINGE, Hood LH
22	1727297DSM	1	GRILLE
22	1727297CSM	1	GRILLE, Orange
23	1728029DSM	1	PANEL, Hood RH Side (Red)
23	1728029CSM	1	PANEL, Hood RH Side (Orange)
24	1960392SM	1	SCREW, Pan Head #10-24 x 1/2
25	1727296SM	1	HEADLIGHT ASSEMBLY

Footnotes

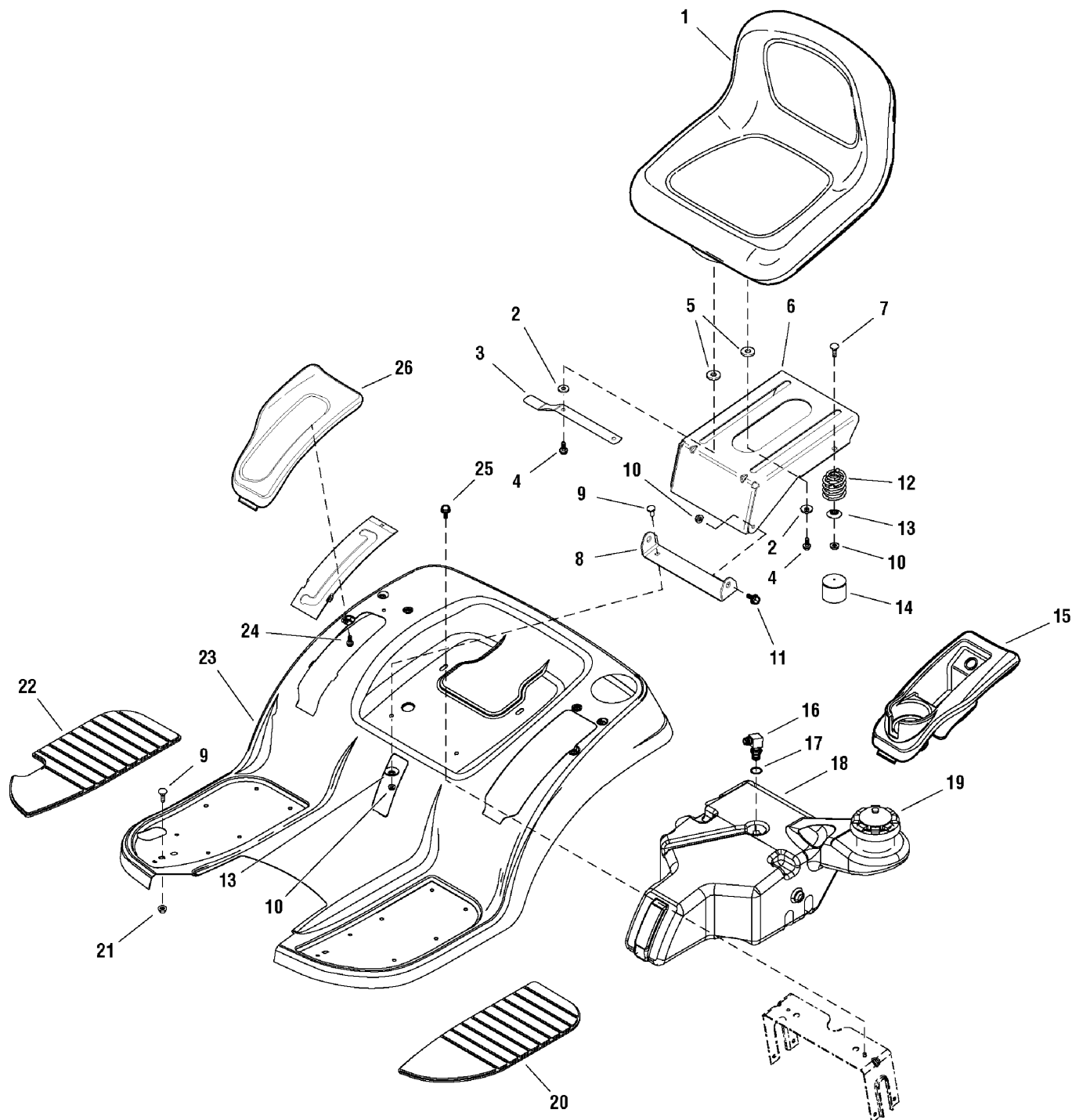
The above parts group applies to the following Mfg. Nos.:

2690572 - Regent	2690582 - 2520H	2690588 - 524H	2690614 - Regent
2690573 - Regent	2690583 - 2522H	2690589 - Regent	
2690574 - Regent	2690584 - 2524H	2690590 - Regent	
2690575 - Regent	2690585 - Regent	2690591 - Regent	
2690576 - Regent	2690586 - 520H	2690592 - Regent	
2690581 - 2518H	2690587 - 522H	2690595 - 2518H	

Seat Deck & Fuel Tank Group

987074

NOTE: Unless noted otherwise,
use the standard hardware torque
specification chart.



The above parts group applies to the following Mfg. Nos.:

2690572 - Regent	2690582 - 2520H	2690588 - 524H	2690614 - Regent
2690573 - Regent	2690583 - 2522H	2690589 - Regent	
2690574 - Regent	2690584 - 2524H	2690590 - Regent	
2690575 - Regent	2690585 - Regent	2690591 - Regent	
2690576 - Regent	2690586 - 520H	2690592 - Regent	
2690581 - 2518H	2690587 - 522H	2690595 - 2518H	

Seat Deck & Fuel Tank Group

REF NO	PART NO.	QTY.	DESCRIPTION
1	1730159SM	1	SEAT, Hi Back, Steel Pan
2	1919381SM	4	WASHER, Plain, 5/16
3	1727268SM	1	LATCH, Seat 20GA E-Coat
4	1960667SM	4	CAPSCREW, Hex Head Flange Dog Point, 5/16-18 x 1
5	1731300SM	4	SPACER, 0.32 ID x 1-1/2 OD x 3/10 THK Powdered Metal Yellow
6	1727265ASM	1	SUPPORT, Seat 12GA
7	1960282SM	2	CARRIAGE BOLT, 5/16-18 x 3/4
8	1727266ASM	1	PIVOT, Seat 10GA
9	1931333SM	4	BOLT, Carriage, 5/16-18 x 3/4
10	1960686SM	4	NUT, Hex Flange, 5/16-18 ESNA
11	1729576SM	2	BOLT, Shoulder 5/16-18 G5
12	1704728SM	2	SPRING, Compression
13	1709256SM	4	WASHER, Spring Black
14	1704724SM	2	COVER, Spring
15	1729001SM	1	POD, LH Cup Holder
16	1674231SM	1	ELBOW FITTING
17	1654930SM	1	BUSHING
18	1727305SM	1	TANK, Fuel
19	1715917SM	1	CAP, Gas
20	1728006SM	1	PAD, Footrest LH
21	1931277SM	4	NUT, Hex, Flange Whizlock, 5/16-18
22	1728007SM	1	PAD, Footrest RH
23	1727264CSM	1	DECK, Seat w/Footrests (Orange)
23	1727264DSM	1	DECK, Seat w/Footrests (Red)
24	1960536SM	6	SCREW, Hex, Washer Head, Plastite, 1/4-20 x 1/2
25	1930601SM	2	SCREW, Taptite, 5/16-18 x 5/8
26	1729000SM	1	POD, RH Lift Quadrant

Footnotes

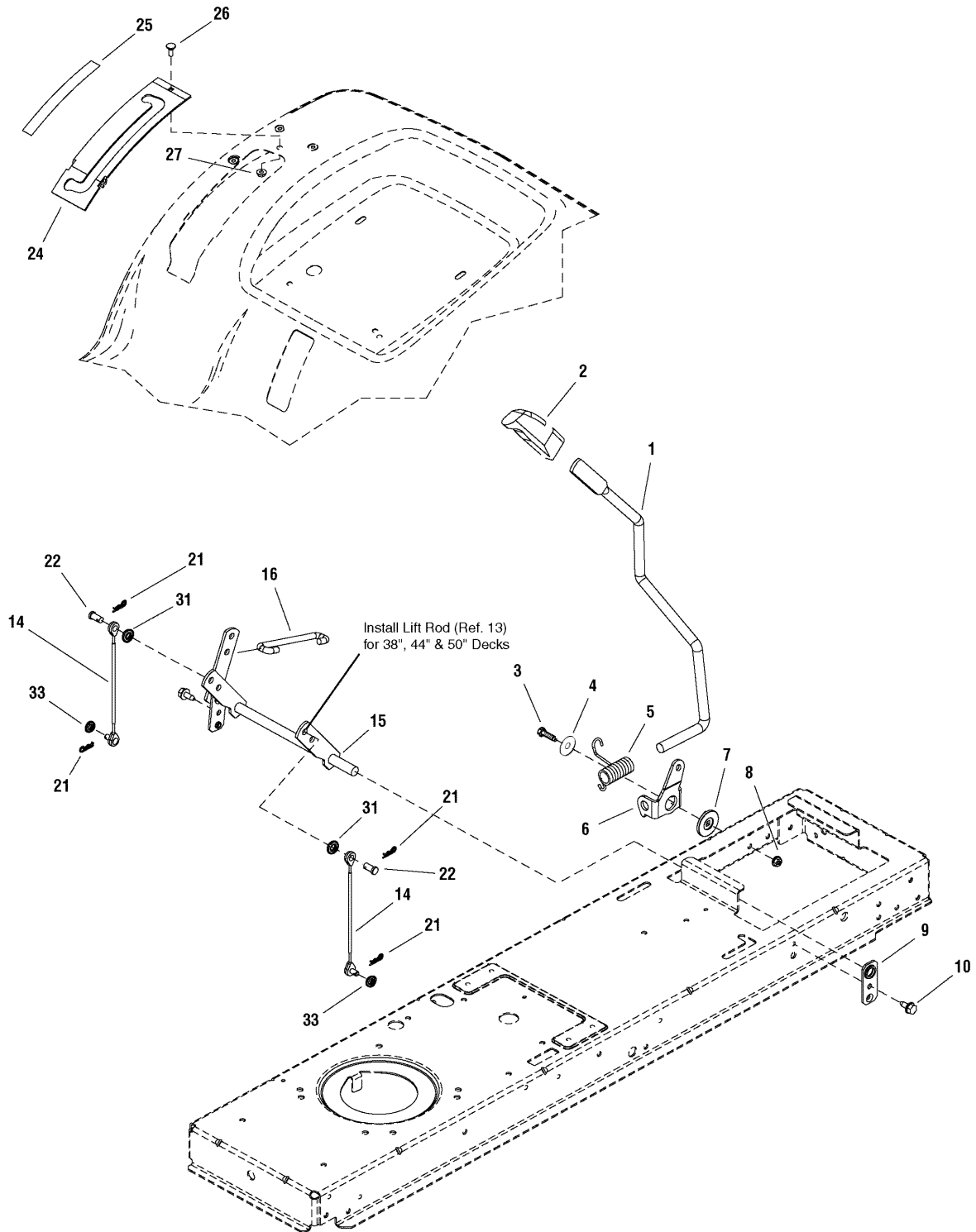
The above parts group applies to the following Mfg. Nos.:

2690572 - Regent	2690582 - 2520H	2690588 - 524H	2690614 - Regent
2690573 - Regent	2690583 - 2522H	2690589 - Regent	
2690574 - Regent	2690584 - 2524H	2690590 - Regent	
2690575 - Regent	2690585 - Regent	2690591 - Regent	
2690576 - Regent	2690586 - 520H	2690592 - Regent	
2690581 - 2518H	2690587 - 522H	2690595 - 2518H	

Lift Group - Manual

987470

NOTE: Unless noted otherwise,
use the standard hardware torque
specification chart.



The above parts group applies to the following Mfg. Nos.:

2690572 - Regent	2690582 - 2520H	2690588 - 524H	2690614 - Regent
2690573 - Regent	2690583 - 2522H	2690589 - Regent	
2690574 - Regent	2690584 - 2524H	2690590 - Regent	
2690575 - Regent	2690585 - Regent	2690591 - Regent	
2690576 - Regent	2690586 - 520H	2690592 - Regent	
2690581 - 2518H	2690587 - 522H	2690595 - 2518H	

Lift Group - Manual

REF NO	PART NO.	QTY.	DESCRIPTION
1	1728070SM	1	ROD, Lift Handle
2	1722302SM	1	GRIP
3	1921333SM	1	CAPSCREW, Hex Head 5/16-18 x 1 G5
4	1960044SM	1	WASHER, 5/16
5	1729652SM	1	SPRING, Torsion
6	1728990ASM	1	CLEVIS, Lift
7	1727935SM	1	SPACER, Pivot Powdered Metal
8	1931277SM	1	NUT, Hex Flange 5/16-18, Whiz Lock Small
9	1727911ASM	1	PLATE, Bearing
10	1930601SM	2	SCREW, Hex Washer Head Taptite 5/16-18 x 5/8
14	1733125SM	1/2	CABLE, Lift w/Pin (Used on 38" & 44" Deck w/20" Tires)
14	1733126SM	2	CABLE, Lift w/Pin (Used on 44" & 50" Deck)
15	1727951ASM	1	SHAFT ASSEMBLY, Lift
16	1727954SM	1	ROD, Lift
21	1960074SM	2/4	CLIP, Hair Pin
22	1732049SM	12	PIN, Clevis
24	1729583ASM	1	QUADRANT, Lift
25	1730263SM	1	DECAL, Mower Transport Lift
26	1960252SM	1	CARRIAGE BOLT, 1/4-20 x 5/8 G5
27	1930641SM	1	NUT, Hex Flange 1/4-20 Whiz Lock Large
31	1924940SM	1/2	WASHER, 3/8
33	1919326SM	1/2	WASHER, 5/16

Footnotes

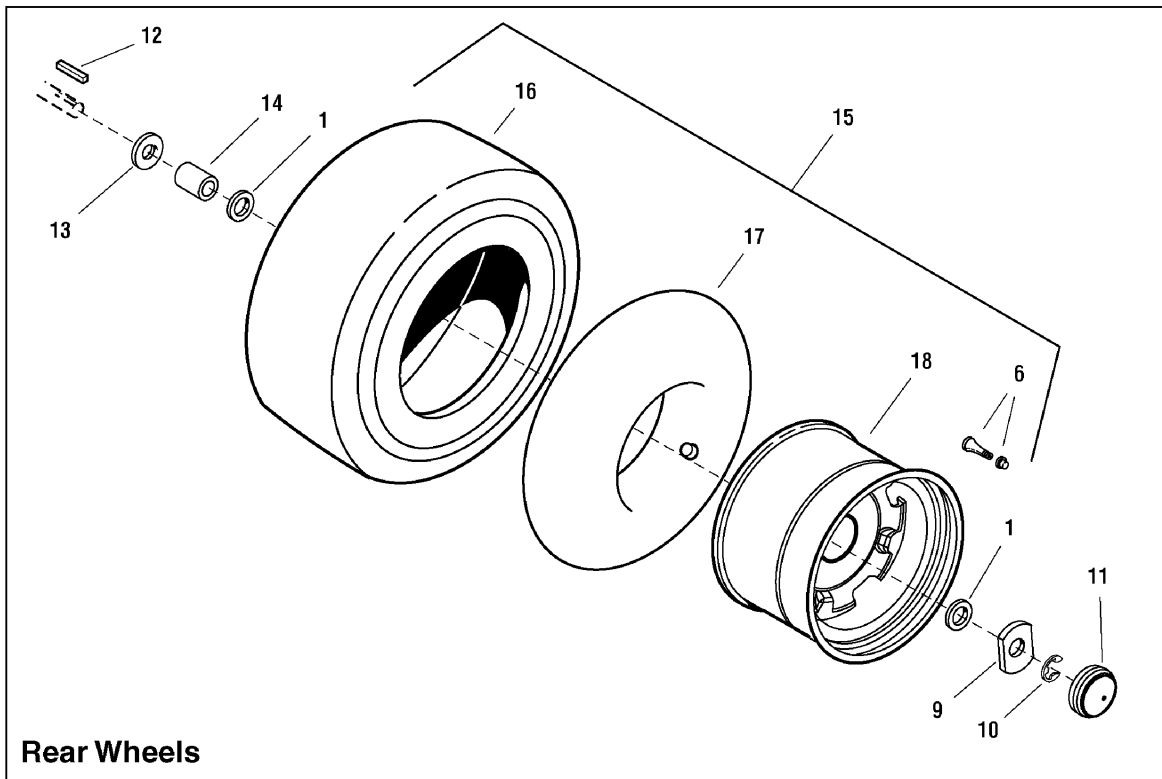
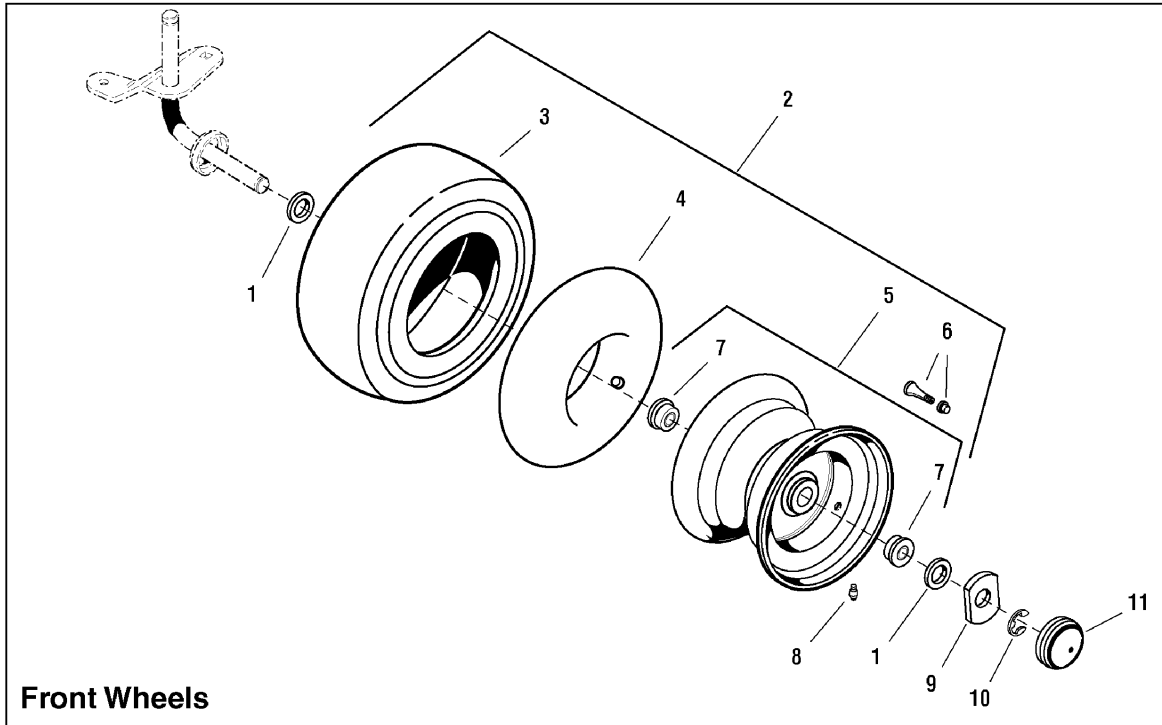
The above parts group applies to the following Mfg. Nos.:

2690572 - Regent	2690582 - 2520H	2690588 - 524H	2690614 - Regent
2690573 - Regent	2690583 - 2522H	2690589 - Regent	
2690574 - Regent	2690584 - 2524H	2690590 - Regent	
2690575 - Regent	2690585 - Regent	2690591 - Regent	
2690576 - Regent	2690586 - 520H	2690592 - Regent	
2690581 - 2518H	2690587 - 522H	2690595 - 2518H	

Wheels & Tires Group

W986848

NOTE: Unless noted otherwise,
use the standard hardware torque
specification chart.



The above parts group applies to the following Mfg. Nos.:

2690572 - Regent	2690582 - 2520H	2690588 - 524H	2690614 - Regent
2690573 - Regent	2690583 - 2522H	2690589 - Regent	
2690574 - Regent	2690584 - 2524H	2690590 - Regent	
2690575 - Regent	2690585 - Regent	2690591 - Regent	
2690576 - Regent	2690586 - 520H	2690592 - Regent	
2690581 - 2518H	2690587 - 522H	2690595 - 2518H	

Wheels & Tires Group

REF NO	PART NO.	QTY.	DESCRIPTION
1	2860183SM	8	WASHER, 3/4
2	1729708SM	2	WHEEL & TIRE ASSEMBLY, Front
3	1731951SM	1	TIRE, Turf 15 X 6.00 - 6 Saver TL
4	1664090SM	1	TUBE, Tire, Front
5	1726301SM	1	WHEEL & BUSHINGS ASSEMBLY, Front
6	2172353SM	2	VALVE STEM & CAP
7	1713167SM	4	BEARING
8	2812808SM	1	FITTING, Grease, 1/4-28 Thread
9	1722717SM	4	WASHER, Special Yellow
10	2827794SM	4	RING, Retaining
11	1722676SM	4	CAP, Hub
12	1713409SM	2	KEY, 3/16 x 3/16 x 3
13	2860202SM	2	WASHER
14	1730181SM	2	SPACER, 0.77 ID x 1-1/4 OD x 1.65 LG Powdered Metal Black
15	1729709SM	2	WHEEL & TIRE ASSEMBLY, Rear 20"
15	1732324SM	2	WHEEL & TIRE ASSEMBLY, Rear 22"
16	1731952SM	1	TIRE, Turf 22 X 8.00 - 8 Saver TL
16	1731953SM	1	TIRE, Turf 22 X 10.00 - 8 Saver TL
17	2164247SM	1	TUBE, Tire, Rear, 22 X 8 - 8
17	2173477SM	1	TUBE, Tire, Rear, 22 X 10 - 8
18	1731954SM	1	WHEEL, Hub

Footnotes

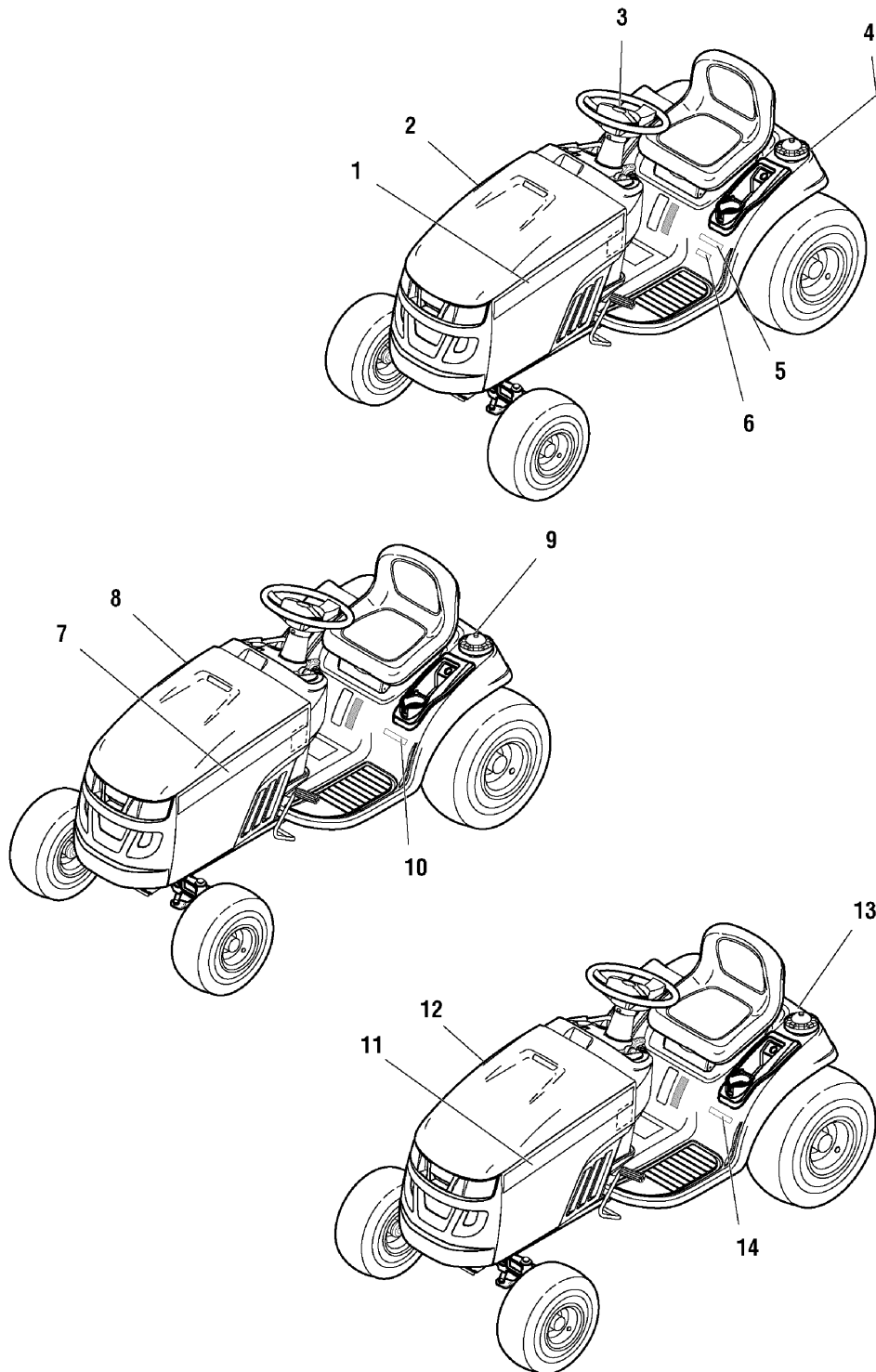
The above parts group applies to the following Mfg. Nos.:

2690572 - Regent	2690582 - 2520H	2690588 - 524H	2690614 - Regent
2690573 - Regent	2690583 - 2522H	2690589 - Regent	
2690574 - Regent	2690584 - 2524H	2690590 - Regent	
2690575 - Regent	2690585 - Regent	2690591 - Regent	
2690576 - Regent	2690586 - 520H	2690592 - Regent	
2690581 - 2518H	2690587 - 522H	2690595 - 2518H	

Decals Group - Brand & Model

NOTE: Unless noted otherwise,
use the standard hardware torque
specification chart.

B986848



The above parts group applies to the following Mfg. Nos.:

2690572 - Regent	2690582 - 2520H	2690588 - 524H	2690614 - Regent
2690573 - Regent	2690583 - 2522H	2690589 - Regent	
2690574 - Regent	2690584 - 2524H	2690590 - Regent	
2690575 - Regent	2690585 - Regent	2690591 - Regent	
2690576 - Regent	2690586 - 520H	2690592 - Regent	
2690581 - 2518H	2690587 - 522H	2690595 - 2518H	

Decals Group - Brand & Model

REF NO	PART NO.	QTY.	DESCRIPTION
1	1731390SM	1	DECAL, Simplicity, LH Stripe
2	1731391SM	1	DECAL, Simplicity, RH Stripe
3	1731418SM	1	DECAL, SMI Steering Wheel Icon Orange
4	1722551SM	1	DECAL, Simplicity
5	1722772SM	1	DECAL, Regent, Silver & Blue
6	1722779SM	1	DECAL, 18HP, Silver/Clear
6	1731925SM	1	DECAL, 18.5HP, Silver/Clear
6	1722780SM	1	DECAL, 20HP, Silver/Clear
6	1726944SM	1	DECAL, 22HP, Silver/Clear
6	1731926SM	1	DECAL, 24HP, Silver/Clear
7	1731396SM	1	DECAL, AGCO, LH Hood Stripe
8	1731397SM	1	DECAL, AGCO, RH Hood Stripe
9	1708926SM	1	DECAL, AGCO Logo
10	1731961SM	1	DECAL, 518 White/Clear
10	1731962SM	1	DECAL, 520 White/Clear
10	1731963SM	1	DECAL, 522 White/Clear
10	1731964SM	1	DECAL, 524 White/Clear
11	1731394SM	1	DECAL, Massey, LH Hood Stripe
12	1731395SM	1	DECAL, Massey, RH Hood Stripe
13	1714363SM	1	DECAL, Massey Ferguson
14	1728053SM	1	DECAL, 2518, Gray/Clear
14	1731958SM	1	DECAL, 2520, Gray/Clear
14	1731959SM	1	DECAL, 2522, Gray/Clear
14	1731960SM	1	DECAL, 2524, Gray/Clear

Footnotes

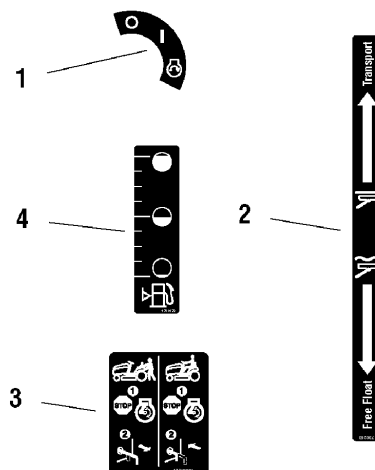
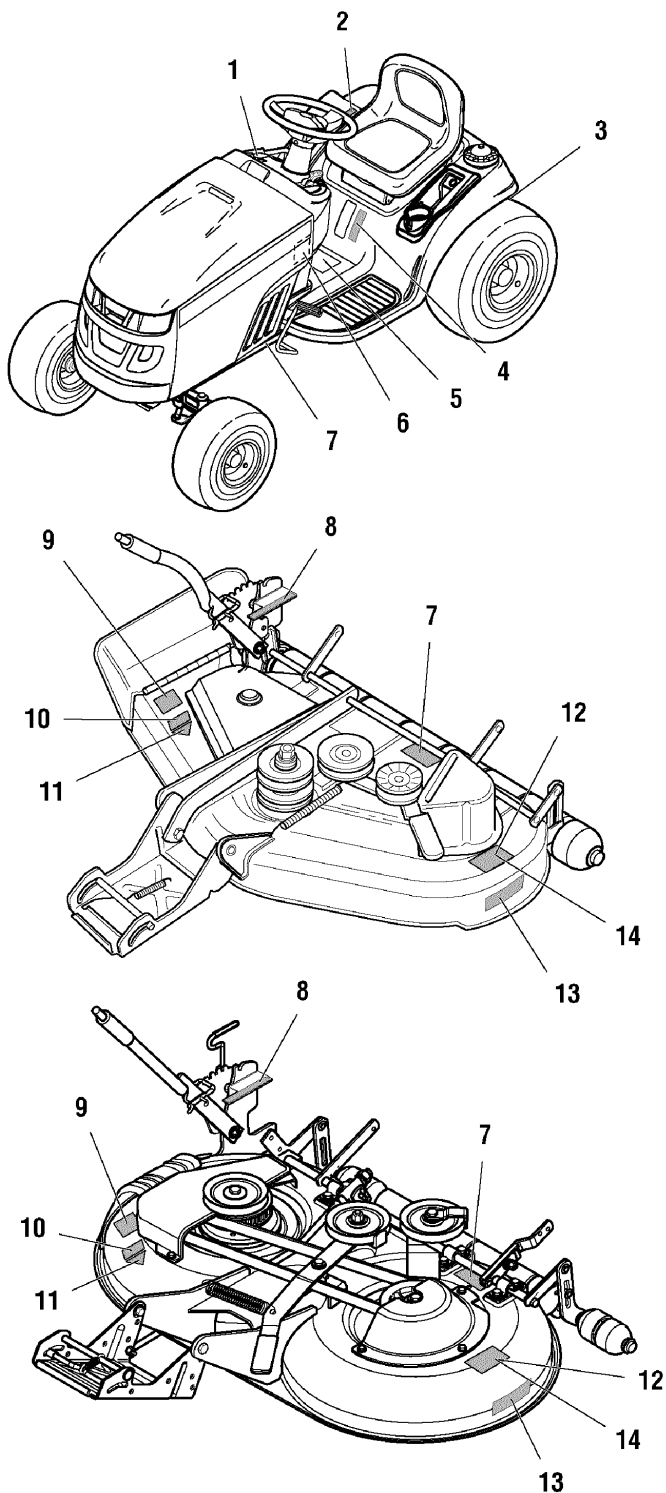
The above parts group applies to the following Mfg. Nos.:

2690572 - Regent	2690582 - 2520H	2690588 - 524H	2690614 - Regent
2690573 - Regent	2690583 - 2522H	2690589 - Regent	
2690574 - Regent	2690584 - 2524H	2690590 - Regent	
2690575 - Regent	2690585 - Regent	2690591 - Regent	
2690576 - Regent	2690586 - 520H	2690592 - Regent	
2690581 - 2518H	2690587 - 522H	2690595 - 2518H	

Decals Group - Safety & Common Group

NOTE: Unless noted otherwise, use the standard hardware torque specification chart.

C986848



5

BRAKE
⚠ DANGER
 Operating on slopes can be dangerous. See Operator's Manual. If you cannot back up a hill, do not drive it.

⚠ DANGER
 Rotating blades out of arms and legs. Stay away from blades as well as hubs - they can fly out.

Avoid serious injury or death.

Do not lean back! (See Operator's Manual)
 Do not operate on slopes without control.
 Do not operate on slopes, hills, or in wet, icy, or slippery conditions.
 Do not operate on slopes that are too steep for the slope.
 Do not operate on slopes that are too steep for the slope.
 Do not operate on slopes that are too steep for the slope.
 Do not operate on slopes that are too steep for the slope.
 Do not operate on slopes that are too steep for the slope.
 Do not operate on slopes that are too steep for the slope.
 Do not operate on slopes that are too steep for the slope.

Do not lean back! Damage may result in transaxles.

6

XXXXX TRACTORS
 SERVICING & TORQUE VALUES

Component	XXXXX	XXXXX
Engine Oil	XXXXX	XXXXX
Drive Shaft	XXXXX	XXXXX
Front Drive Shaft	XXXXX	XXXXX
Front Drive Shaft - Left	XXXXX	XXXXX
Front Drive Shaft - Right	XXXXX	XXXXX
Front Drive Shaft	XXXXX	XXXXX
Drive Shaft	XXXXX	XXXXX
Drive Shaft	XXXXX	XXXXX
Dr. Oil (Transmission/Clutch Fork)	XXXXX	XXXXX

See safety and reliability with us on your tractor. Quality maintenance, low cost and service, all yours. Available in 10 part 1 year warranty if you're...

7

12

⚠ DANGER
 ROTATING CUTTING BLADE
 Do not operate mower without deflector or entire grass catcher in place.

⚠ DANGER
 ROTATING CUTTING BLADE
 Do not put hands or feet under mower deck while blade is rotating.

14

The above parts group applies to the following Mfg. Nos.:

- | | | | |
|------------------|------------------|------------------|------------------|
| 2690572 - Regent | 2690582 - 2520H | 2690588 - 524H | 2690614 - Regent |
| 2690573 - Regent | 2690583 - 2522H | 2690589 - Regent | |
| 2690574 - Regent | 2690584 - 2524H | 2690590 - Regent | |
| 2690575 - Regent | 2690585 - Regent | 2690591 - Regent | |
| 2690576 - Regent | 2690586 - 520H | 2690592 - Regent | |
| 2690581 - 2518H | 2690587 - 522H | 2690595 - 2518H | |

Decals Group - Safety & Common Group

REF NO	PART NO.	QTY.	DESCRIPTION
1	1722806SM	1	DECAL, Ignition Switch Symbol, White/Black
2	1730263SM	1	DECAL, Transport/Free Float
3	1730202SM	1	DECAL, Transmission Tow/ Release Lever
4	1730172SM	1	DECAL, Fuel Level
5	1723175SM	1	DECAL, Safety Instructions (CE/Export)
5	1730170SM	1	DECAL, Tunnel
6	1733250SM	1	DECAL, Belts, Blades
7	*	1	DECAL, ID Plate
8	1721197SM	1	DECAL, Mower Height
9	1704277SM	1	DECAL, Danger, Chute in Place
10	1722787SM	1	DECAL, 38"
10	1722789SM	1	DECAL, 44"
10	1722790SM	1	DECAL, 50"
11	*	1	DECAL, OPEI
12	1704276SM	1	DECAL, Danger, Hand Under Deck
13	1722771SM	1	DECAL, Free Floating Mower
14	1720389SM	2	DECAL, Danger, Rotating Blades (CE/Export)
15	*	1	DECAL, Patient

Footnotes

Note* Not a serviceable part.

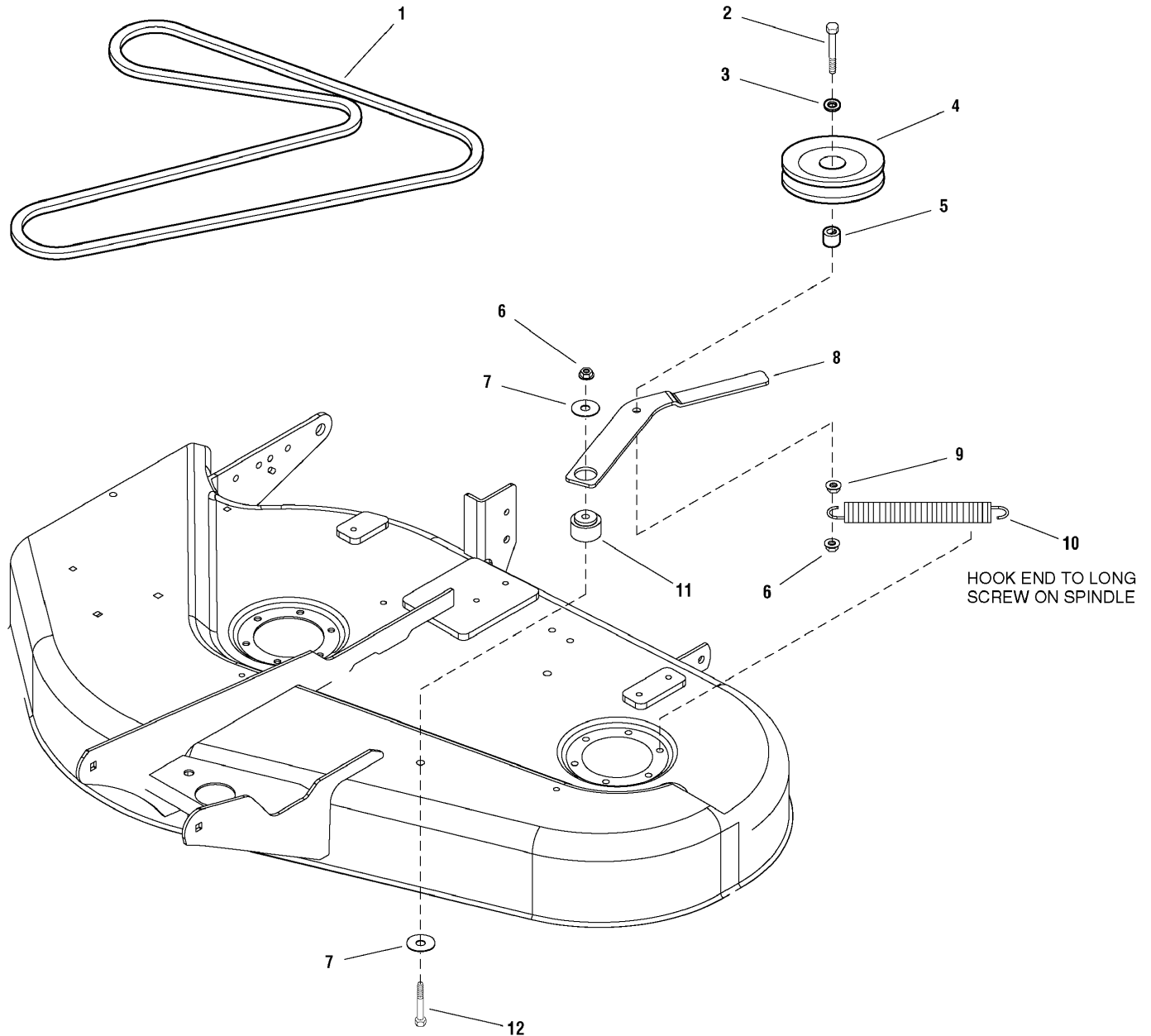
The above parts group applies to the following Mfg. Nos.:

2690572 - Regent	2690582 - 2520H	2690588 - 524H	2690614 - Regent
2690573 - Regent	2690583 - 2522H	2690589 - Regent	
2690574 - Regent	2690584 - 2524H	2690590 - Regent	
2690575 - Regent	2690585 - Regent	2690591 - Regent	
2690576 - Regent	2690586 - 520H	2690592 - Regent	
2690581 - 2518H	2690587 - 522H	2690595 - 2518H	

38" Mower Deck - Belt, Idler Arm & Hitch Group

987078

NOTE: Unless noted otherwise,
use the standard hardware torque
specification chart.



The above parts group applies to the following Mfg. Nos.:

1695129 - 38" Mower	2690582 - 2520H
1695132 - 38" Mower	2690585 - Regent
1695142 - 38" Mower	2690586 - 520H
2690572 - Regent	2690589 - Regent
2690573 - Regent	
2690581 - 2518H	

38" Mower Deck - Belt, Idler Arm & Hitch Group

REF NO	PART NO.	QTY.	DESCRIPTION
1	1723025SM	1	V-BELT, 93.10
1	1732205SM	1	V-BELT, 94.45 (Export/CE)
1	1732954SM	1	V-BELT, 93.10
1	1732955SM	1	V-BELT, 94.45 (Export/CE)
2	1921972SM	1	CAPSCREW, Hex Head, 3/8-16 x 2-1/2
3	1924940SM	1	WASHER, 3/8
4	2171247SM	1	PULLEY ASSEMBLY
5	1667812SM	1	SPACER
6	1930645SM	2	NUT, Hex, Flange, Locking, 3/8-16
7	1924356SM	2	WASHER, Plain, 13/32 x 1-1/2 x 1/8
8	1731893ASM	1	ARM, Idler 7GA
9	1931211SM	1	NUT, Whizlock, 3/8-16
10	1715435SM	1	SPRING, Extension, Idler Arm
11	1729007SM	1	SPACER, 0.387 ID x 1-1/2 OD x 1.04 LG Powdered Metal
12	1923701SM	1	CAPSCREW, Hex Head, 3/8-16 x 2

Footnotes

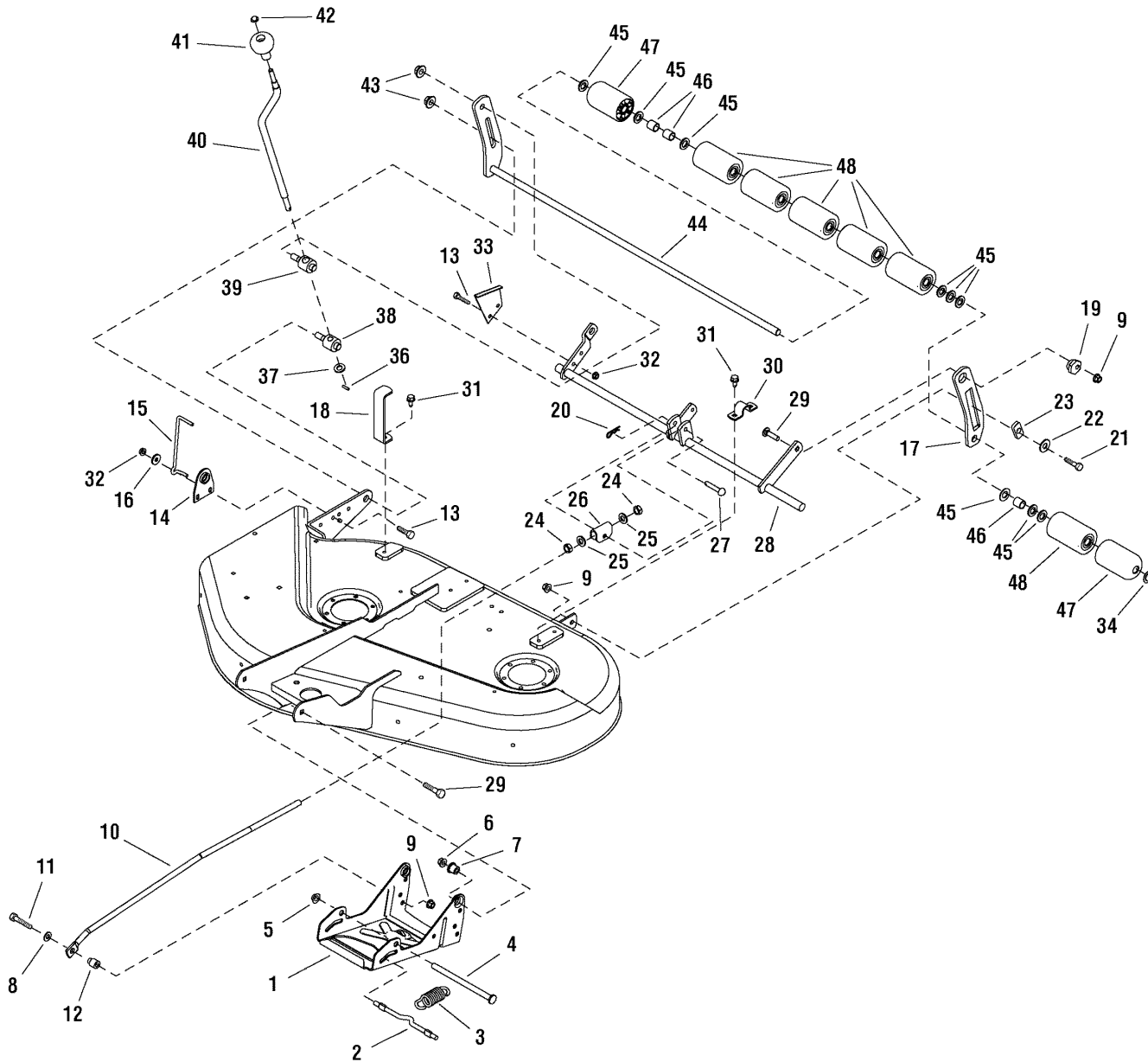
The above parts group applies to the following Mfg. Nos.:

1695129 - 38" Mower	2690582 - 2520H
1695132 - 38" Mower	2690585 - Regent
1695142 - 38" Mower	2690586 - 520H
2690572 - Regent	2690589 - Regent
2690573 - Regent	
2690581 - 2518H	

38" Mower Deck - Height Adjustment & Roller Bar Group

987467

NOTE: Unless noted otherwise,
use the standard hardware torque
specification chart.



The above parts group applies to the following Mfg. Nos.:

- | | |
|---------------------|------------------|
| 1695129 - 38" Mower | 2690582 - 2520H |
| 1695132 - 38" Mower | 2690585 - Regent |
| 1695142 - 38" Mower | 2690586 - 520H |
| 2690572 - Regent | 2690589 - Regent |
| 2690573 - Regent | |
| 2690581 - 2518H | |

38" Mower Deck - Height Adjustment & Roller Bar Group

REF NO	PART NO.	QTY.	DESCRIPTION
1	1720044ASM	1	HITCH, Mower 7GA
2	1715759SM	1	ROD, 3/8 Diameter
3	2156302SM	1	SPRING, Extension
4	1713578SM	1	ROD, 1/2 Diameter
5	1960519SM	1	NUT, Push for 1/2 Diameter Stud Capped
6	1960687SM	2	NUT, Hex Flange 3/8-16 ESNA
7	1732443SM	2	SPACER, Powdered Metal
8	1924940SM	1	WASHER, 3/8
9	2860681SM	3	NUT, Hex Toplock Spiral Lock Flange, 3/8-16
10	1729625SM	1	ROD, E-Coat, 1/2-13 x 5.3
11	1922606SM	1	CAPSCREW, Hex Head 3/8-16 x 1-3/4 G8
12	1706644SM	1	SPACER, 3/8 x 3/4 x 15/16
13	1923325SM	4	CAPSCREW, Hex Head 5/16-18 x 7/8 G5
14	1704115ASM	1	PLATE, Support
15	1732092SM	1	ROD, 1/4 Diameter, Indicator, Cutting Height
16	1919381SM	1	WASHER, 5/16
17	1733117ASM	1	BAR, Roller Square Slot
18	1733226ASM	1	UPSTOP, 7GA
19	1704082SM	1	NUT, Hex Adjusting
20	1960074SM	1	CLIP, Hair Pin
21	2172622SM	1	BOLT, Shoulder 3/8-16 G5
22	1924361SM	1	WASHER, 1/2
23	1677507SM	1	SLIDE
24	1913744SM	2	NUT, Hex Jam 1/2-13
25	1960170SM	2	WASHER, 1/2
26	1704081ASM	1	TRUNNION
27	2118053SM	1	PIN, Round Head Drilled, 3/8 x 2
28	1733118ASM	1	SHAFT ASSEMBLY, Rocker 38"
29	1931352SM	3	CARRIAGE BOLT, 3/8-16 x 1-1/2 G5
30	1665374SM	2	STRAP, Roller E-Coat
31	1664847SM	5	SCREW, Hex Washer Head Taptite 5/16-18 x 3/4
32	1931277SM	4	NUT, Hex Flange 5/16-18, Whiz Lock Small
33	1704116ASM	1	BRACKET, Height of Cut 16GA
34	1960520SM	1	NUT, Push for 5/8 Diameter Stud Capped
36	2816001SM	1	PIN, Spring
37	1704097SM	1	WASHER, Detent
38	1704086SM	1	TRUNNION, 1-1/4
39	1704087SM	1	TRUNNION, 1-1/4
40	1719901SM	1	CRANK, Height Adjusting
41	1714084SM	1	KNOB, Spinner
42	1960093SM	1	NUT, Push Pal 5/8 Diameter Stud Capped
43	1930644SM	2	NUT, Hex Flange 1/2-13 Two-Way Lock
44	1733121ASM	1	SHAFT ASSEMBLY, Roller 38"
45	1924366SM	9	WASHER, 5/8

Footnotes

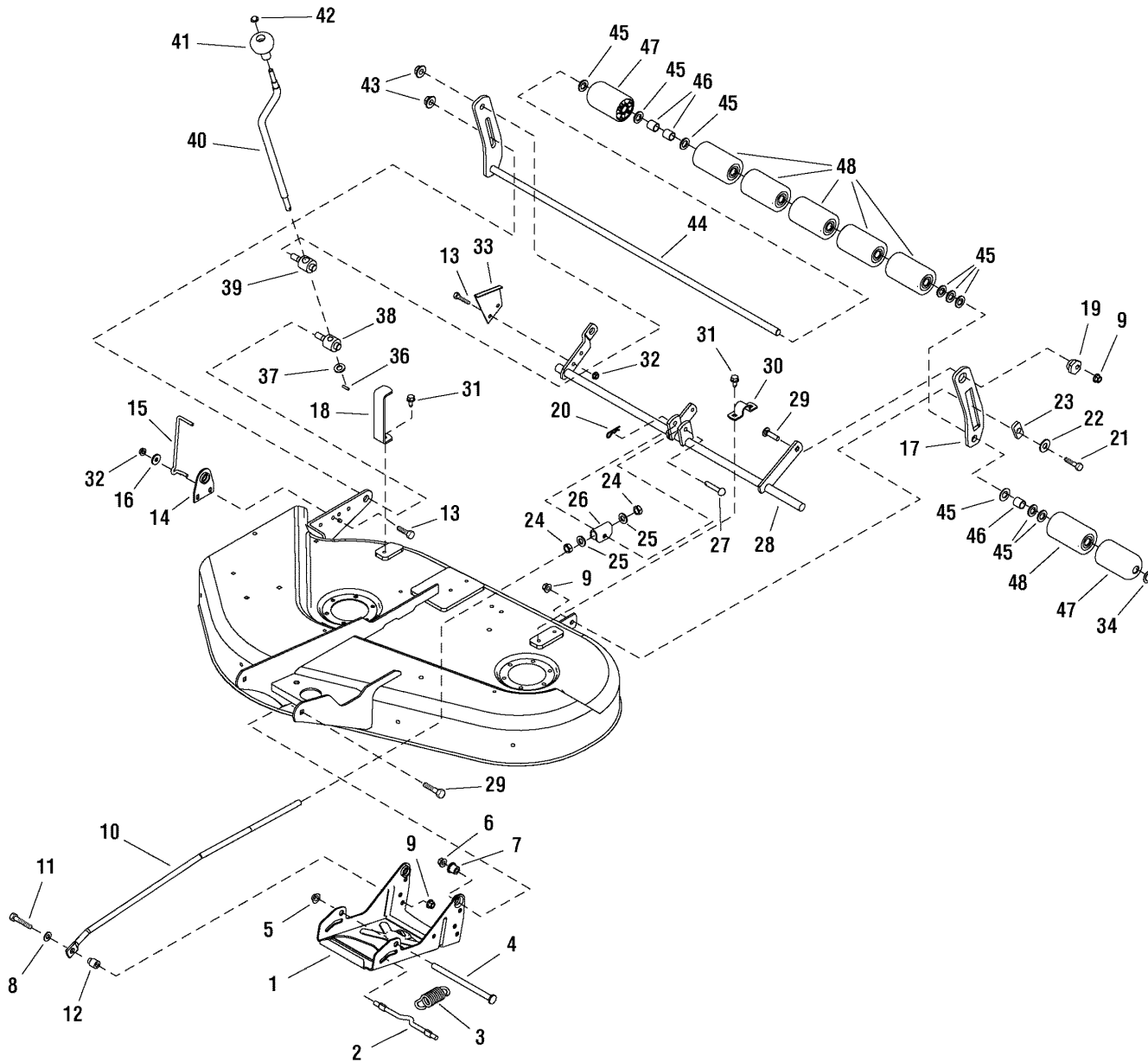
The above parts group applies to the following Mfg. Nos.:

1695129 - 38" Mower	2690582 - 2520H
1695132 - 38" Mower	2690585 - Regent
1695142 - 38" Mower	2690586 - 520H
2690572 - Regent	2690589 - Regent
2690573 - Regent	
2690581 - 2518H	

38" Mower Deck - Height Adjustment & Roller Bar Group

987467

NOTE: Unless noted otherwise,
use the standard hardware torque
specification chart.



The above parts group applies to the following Mfg. Nos.:

- | | |
|---------------------|------------------|
| 1695129 - 38" Mower | 2690582 - 2520H |
| 1695132 - 38" Mower | 2690585 - Regent |
| 1695142 - 38" Mower | 2690586 - 520H |
| 2690572 - Regent | 2690589 - Regent |
| 2690573 - Regent | |
| 2690581 - 2518H | |

38" Mower Deck - Height Adjustment & Roller Bar Group

REF NO	PART NO.	QTY.	DESCRIPTION
46	1602946SM	3	SPACER, Split
47	1722036SM	2	ROLLER, Rounded
48	1668513SM	6	ROLLER

Footnotes

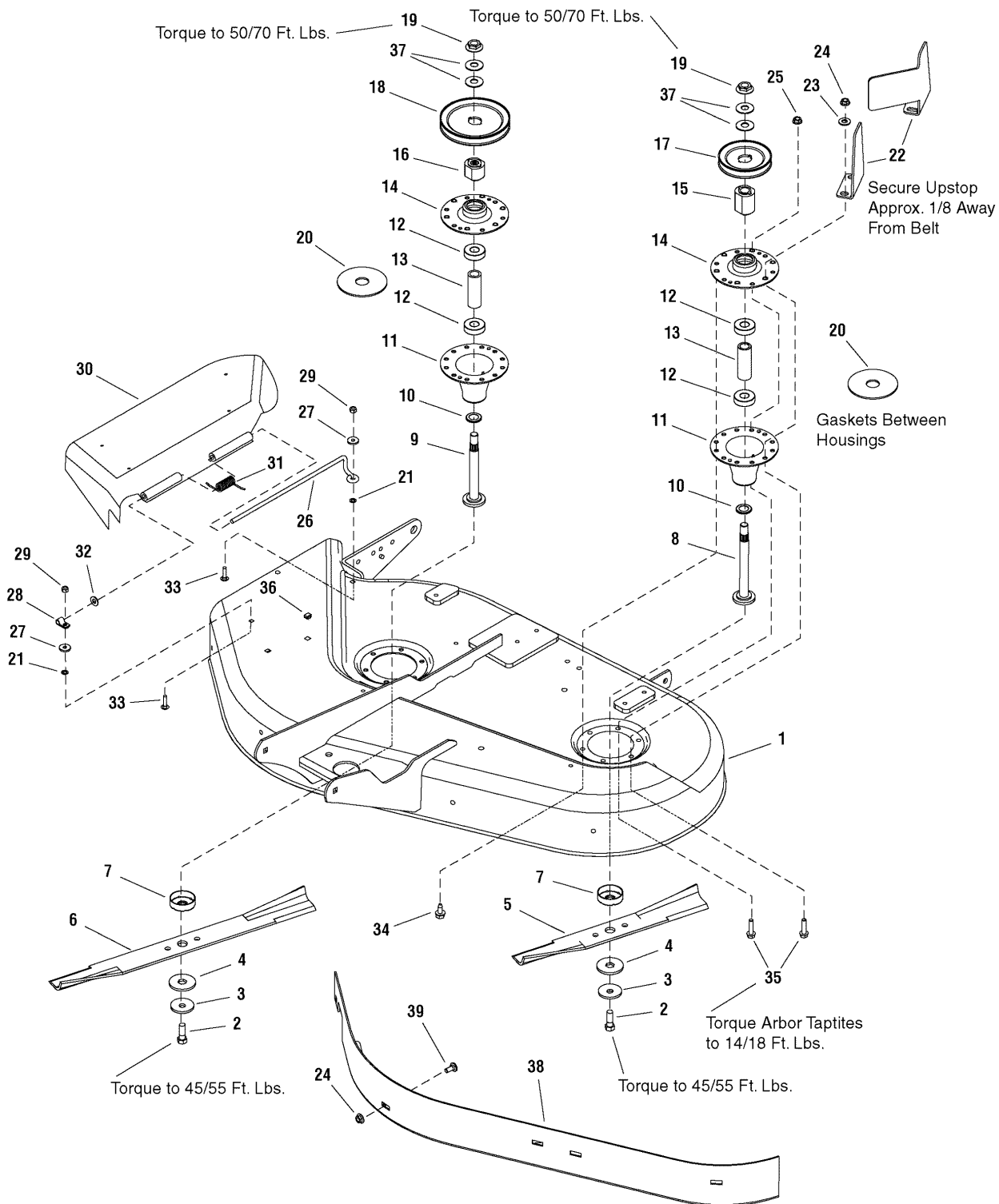
The above parts group applies to the following Mfg. Nos.:

1695129 - 38" Mower	2690582 - 2520H
1695132 - 38" Mower	2690585 - Regent
1695142 - 38" Mower	2690586 - 520H
2690572 - Regent	2690589 - Regent
2690573 - Regent	
2690581 - 2518H	

38" Mower Deck - Housing & Arbor Group

987447

NOTE: Unless noted otherwise, use the standard hardware torque specification chart.



The above parts group applies to the following Mfg. Nos.:

- | | |
|---------------------|------------------|
| 1695129 - 38" Mower | 2690582 - 2520H |
| 1695132 - 38" Mower | 2690585 - Regent |
| 1695142 - 38" Mower | 2690586 - 520H |
| 2690572 - Regent | 2690589 - Regent |
| 2690573 - Regent | |
| 2690581 - 2518H | |

38" Mower Deck - Housing & Arbor Group

REF NO	PART NO.	QTY.	DESCRIPTION
1	1733127CSM	1	HOUSING ASSEMBLY, 38" Mower (Orange)
1	1733127DSM	1	HOUSING ASSEMBLY, 38" Mower (Red)
2	2823471SM	2	CAPSCREW, Hex Head 7/16-14 x 1-1/4 G8
3	1656916SM	2	WASHER, Spring
4	1713089SM	2	WASHER, Hex, 11/16 x 2
5	1704856SM	1	BLADE, 16-1/8
6	1704101SM	1	BLADE, Mower 22-1/4
7	1713196SM	2	SHIELD, Grass Lower Arbor Heat Treated
8	1713610SM	1	SHAFT, Arbor
9	1713609SM	1	SHAFT, Arbor
10	1713619SM	2	WASHER, Cup
11	1713338ASM	2	HOUSING, Arbor Bottom w/Lube Fitting
12	1705897SM	4	BEARING, Ball 11/16 x 1-9/16 x 15/32
13	1732543SM	2	SPACER, Powdered Metal
14	1713199ASM	2	HOUSING, Arbor Top
15	1713614SM	1	HUB
16	1713613SM	1	HUB
17	1732950SM	1	PULLEY, 4.50OD 1.00ID 9GA
17	1732951SM	1	PULLEY, 4.60OD 1.00ID 9GA (Only used on Export/(CE) Models)
18	1732953SM	1	PULLEY, 5.75OD 1.00ID 9GA
18	1733113SM	1	PULLEY, 6.25OD 1.00ID 9GA (Only used on Export/(CE) Models)
19	1714419SM	2	NUT, Hex Flange 9/16-18 Non Locking
20	1707335SM	2	GASKET, Foam
21	1960518SM	2	NUT, Push for 1/4 Diameter Thread
22	1733225ASM	1	UPSTOP, 10GA 38" L.H.
22	1734041ASM	1	UPSTOP, 10GA 38" L.H. (Only used on Export/(CE) Models)
23	1924940SM	2	WASHER, 3/8-3/8
24	1931277SM	2(6)	NUT, Hex Flange 5/16-18, Whiz Lock Small (Quantity 6 used on Export/(CE) Models only)
25	1960686SM	1	NUT, Hex Flange 5/16-18 ESNA
26	1706709SM	1	ROD, Deflector, Front
27	1960353SM	2	WASHER, 1/4
28	1704873SM	1	CLAMP, Wire, 5/16 Diameter
29	1920397SM	2	NUT, Hex Lock ESNA Light 1/4-20
30	1705449SM	1	DEFLECTOR
31	7101082SM	1	SPRING, Torsion, Chute, 44/50
32	1919326SM	1	WASHER, 5/16
33	1960698SM	2	CARRIAGE BOLT, 1/4-20 x 1 G5
34	1664847SM	9	SCREW, Hex Washer Head Taptite 5/16-18 x 3/4
35	1931202SM	3	SCREW, Hex Washer Head Taptite 5/16-18 x 1-1/4
36	1705115SM	2	PLUG
37	1713675SM	4	WASHER, Bellville
38	1715817ASM	1	BAFFLE, Blowout 3/8" Mower (Only used on Export/(CE) Models)
39	1931333SM	4	CARRIAGE BOLT, 5/16-18 x 3/4 G5 (Only used on Export/(CE) Models)

Footnotes

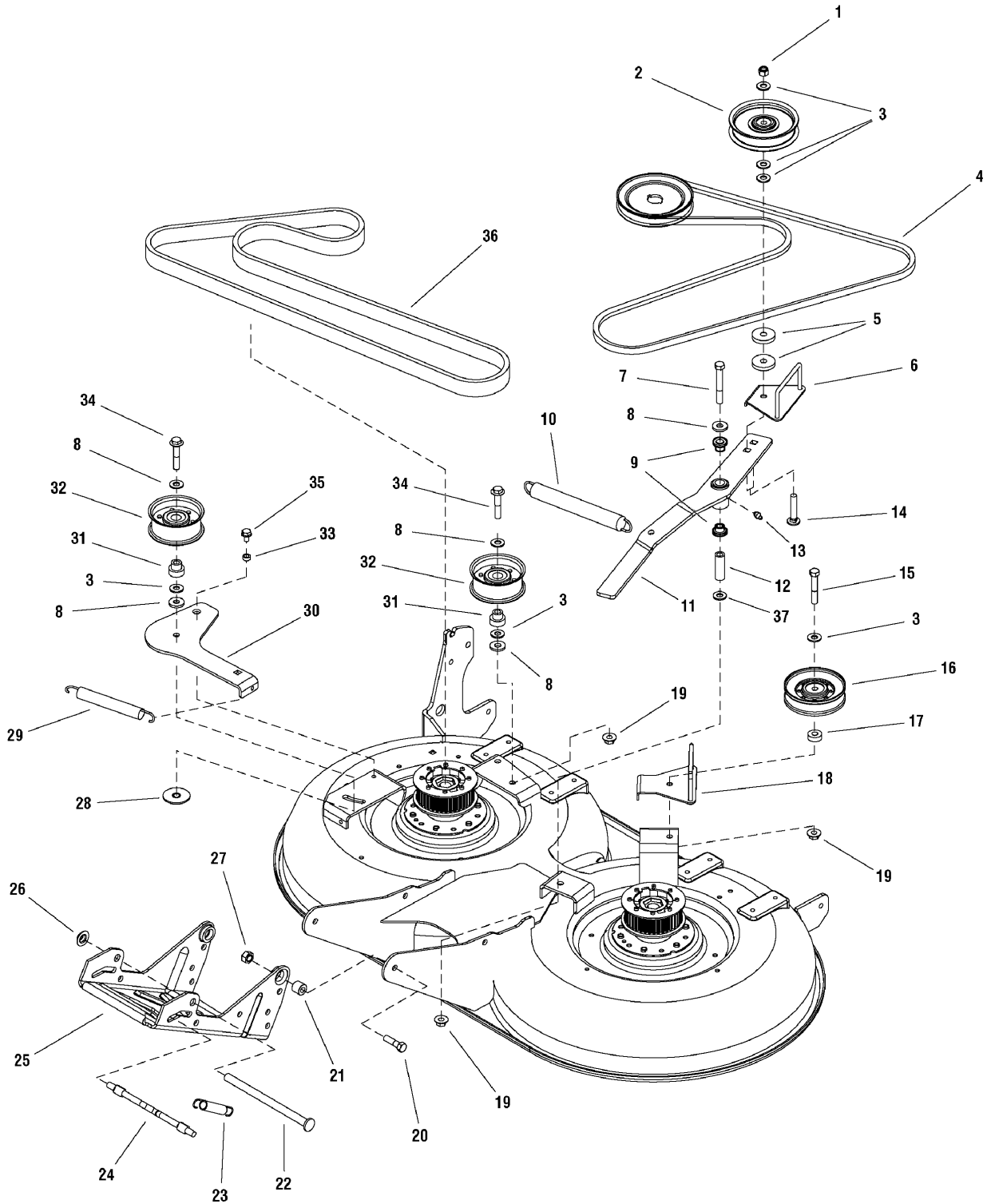
The above parts group applies to the following Mfg. Nos.:

1695129 - 38" Mower	2690582 - 2520H
1695132 - 38" Mower	2690585 - Regent
1695142 - 38" Mower	2690586 - 520H
2690572 - Regent	2690589 - Regent
2690573 - Regent	
2690581 - 2518H	

40" Mower Deck - Belt, Idler Arm & Hitch Group

987297

NOTE: Unless noted otherwise,
use the standard hardware torque
specification chart.



The above parts group applies to the following Mfg. Nos.:
2690591 - Regent

40" Mower Deck - Belt, Idler Arm & Hitch Group

REF NO	PART NO.	QTY.	DESCRIPTION
1	1919439SM	1	NUT, Hex Lock, ESNA, 3/8-16
2	1725408SM	1	PULLEY, Idler
3	1924940SM	6	WASHER, 3/8
4	1721532SM	1	V-BELT, PTO, Front
5	1960534SM	2	WASHER
6	1722175ASM	1	BELT GUIDE
7	1960614SM	1	CAPSCREW, Hex Head, 3/8-16 x 3 G8
8	1922755SM	5	WASHER, 3/8
9	1663114SM	2	BUSHING
10	1715435SM	1	SPRING, Extension, Idler Arm
11	1724835SM	1	ARM ASSEMBLY, with Bushing & Fitting, 38 Tooth (Includes Ref. Nos. 26 & 37)
12	1657242SM	1	SPACER, Hardened
13	2812808SM	1	FITTING, Grease, 1/4-28 Thread
14	1931355SM	1	CARRIAGE BOLT, 3/8-16 x 2-1/4
15	1922130SM	1	CAPSCREW, Hex Head, 3/8-16 x 2-1/4
16	1723952SM	1	PULLEY
17	1667812SM	1	SPACER
18	1722182ASM	1	BELT GUIDE
19	1928352SM	3	NUT, Hex, Flange, Whizlock, 5/16-18 x 1/2
20	1921968SM	2	CAPSCREW, Hex Head, 3/8-16 x 1-3/8
21	2172329SM	2	SPACER
22	1713578SM	1	ROD
23	2156302	1	SPRING, Extension
24	1715759SM	1	ROD
25	1720044ASM	1	HITCH, Mower
26	1960519SM	1	NUT, Push, 1/2
27	2860681SM	2	NUT, Hex Toplock Spiral Flange, 3/8-16
28	1721425SM	1	WASHER & NUT ASSEMBLY, 3/8 x 1-1/2
29	1674671SM	1	SPRING, Extension
30	1726387ASM	1	ARM, Idler
31	1719221SM	2	HUB
32	1731892SM	2	PULLEY, Idler
33	1666697SM	1	SPACER
34	1960746SM	2	SCREW, Hex Head, Flange 3/8-16 x 2
35	1930601SM	1	SCREW, Taptite, 5/16-18 x 5/8
36	1724625SM	1	BELT, Timing, 38" Tooth
37	1933263SM	1	WASHER, 3/8

Footnotes

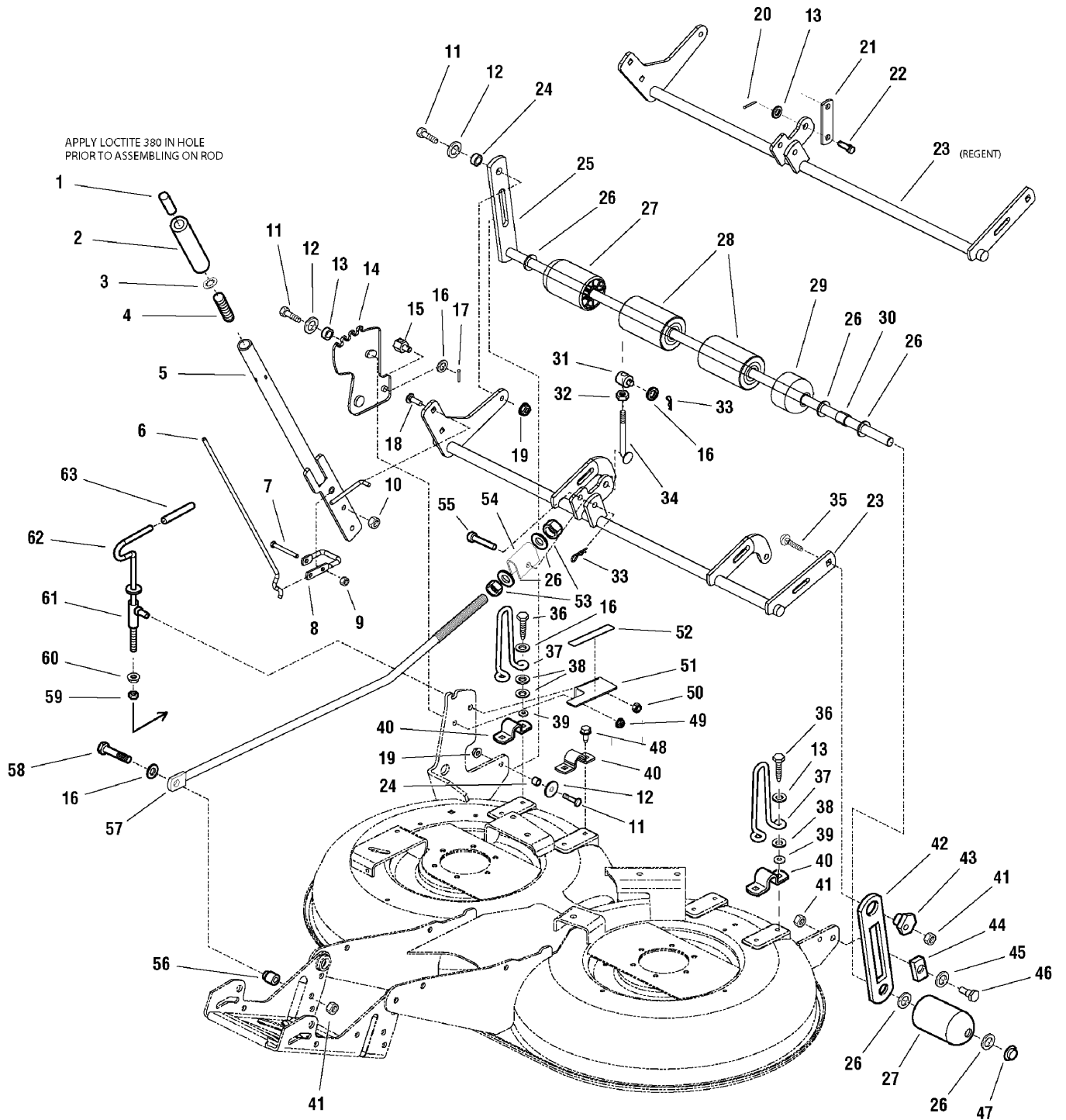
The above parts group applies to the following Mfg. Nos.:

2690591 - Regent

40" Mower Deck - Height Adjustment & Roller Bar Group

987287

NOTE: Unless noted otherwise,
use the standard hardware torque
specification chart.



The above parts group applies to the following Mfg. Nos.:
2690591 - Regent

40" Mower Deck - Height Adjustment & Roller Bar Group

REF NO	PART NO.	QTY.	DESCRIPTION
1	1723124SM	1	BUTTON
2	1713995SM	1	GRIP, Lift Lever
3	1960518SM	1	NUT, Push 1/4 Thread
4	1723321SM	1	SPRING, Compression
5	1720695ASM	1	HANDLE ASSEMBLY, Lift
6	1721257SM	1	ROD, Latch
7	1921159SM	1	CAPSCREW, Hex Head, 1/4-20 x 2-1/4
8	1720599SM	1	LATCH
9	1920397SM	1	NUT, Hex Lock, ESNA, 1/4-20
10	1931277SM	2	NUT, 5/16-18, Hex Flange Whiz Lock Small
11	1921977SM	3	CAPSCREW, Hex Head, 5/16-18 x 1-1/4
12	1960044SM	3	WASHER, Plain, 21/64 x 1-1/4
13	1666697SM	1	SPACER
14	1723409ASM	1	BRACKET, Adjusting
15	2108512SM	1	PIVOT
16	1924940SM	9	WASHER, 3/8
17	1918447SM	1	PIN, Cotter 3/32 x 3/4
18	1931335SM	2	CARRIAGE BOLT, 5/16-18 x 1
19	2860643SM	2	NUT, Hex Flange Collar Lock, 5/16-18
20	1918448SM	1	PIN, Cotter
21	1732102ASM	1	LINK, Lift Mower
22	1732049SM	1	PIN, Clevis
23	1731993ASM	1	SHAFT ASSEMBLY, Rocker Mulch
24	1960236SM	2	SPACER
25	1723305ASM	1	SHAFT & BAR ASSEMBLY
26	1924366SM	7	WASHER, 5/8
27	1722036SM	2	ROLLER, Rounded End
28	1668513SM	6	ROLLER
29	1717675SM	1	ROLLER, End
30	1602946SM	1	SPACER
31	7028200SM	1	TRUNNION
32	1920161SM	1	NUT, Jam, 5/16-18
33	1960074SM	2	CLIP, Spring
34	1724959SM	1	ROD, Height Adjustment
35	1931352SM	1	CARRIAGE BOLT, 3/8-16 x 1-1/2
36	1931202SM	4	CAPSCREW, Taptite, 5/16-18 x 1-1/4
37	1732010ASM	1	UPSTOP
38	1919381SM	6	WASHER, Plain, 5/16
39	1933988SM	4	NUT, Push
40	1665374SM	3	STRAP
41	2860681SM	3	NUT, Hex Toplock Spiral Flange, 3/8-16
42	1704073ASM	1	BAR, Roller
43	1704082SM	1	NUT, Adjuster
44	1677507SM	1	SLIDE

Footnotes

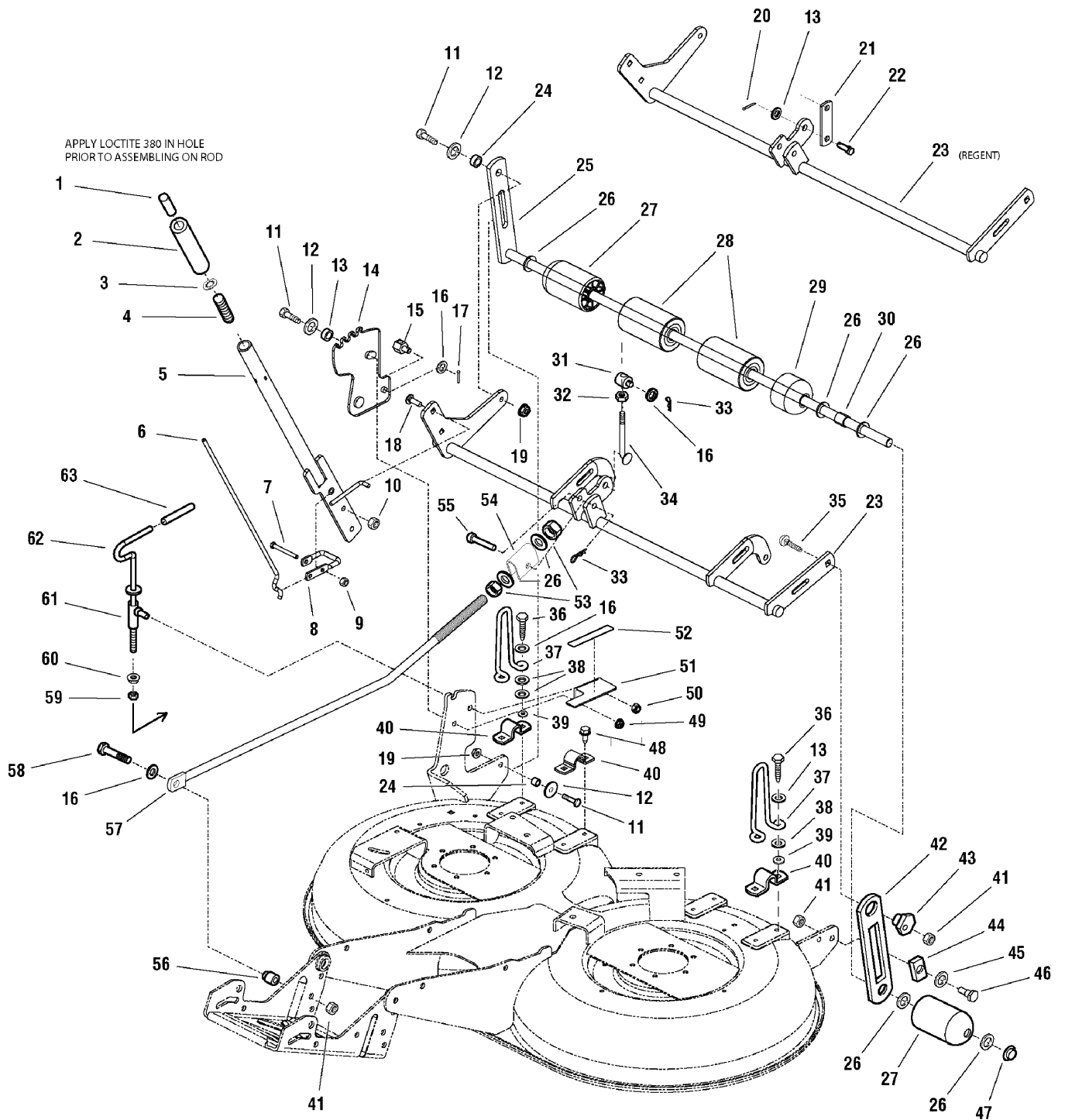
The above parts group applies to the following Mfg. Nos.:

2690591 - Regent

40" Mower Deck - Height Adjustment & Roller Bar Group

987287

NOTE: Unless noted otherwise,
use the standard hardware torque
specification chart.



The above parts group applies to the following Mfg. Nos.:
2690591 - Regent

40" Mower Deck - Height Adjustment & Roller Bar Group

REF NO	PART NO.	QTY.	DESCRIPTION
45	1924361SM	1	WASHER, Plain
46	2172622SM	1	SHOULDER BOLT
47	1960520SM	1	PUSH NUT, 5/8
48	1664847SM	2	CAPSCREW, Hex Head, Taptite, 5/16-18 x 3/4
49	1935048SM	1	NUT, Hex, Flange Lock, 5/16-18
50	1930645SM	1	NUT, Hex, Flange, Locking, 3/8-16
51	1720931ASM	1	BRACKET, Height of Cut
52	1720919SM	1	DECAL, Height
53	1915726SM	2	NUT, Hex, Full, 5/8
54	1706645ASM	1	TRUNNION, Rod
55	2118053SM	1	Pin
56	1706644SM	1	SPACER, 3/8 x 3/4 x 15/16
57	1722661SM	1	ROD, Adjusting
58	1922606SM	1	CAPSCREW, Hex Head, 3/8-16 x 1 3/4
59	1917421SM	1	NUT, Jam, Hex, 3/8-16
60	1960601SM	1	NUT, Hex Flange, 3/8-16
61	2108241SM	1	SOCKET ASSEMBLY
62	1720704SM	1	ROD & WASHER ASSEMBLY, Adjust Handle
63	1651820SM	1	GRIP

Footnotes

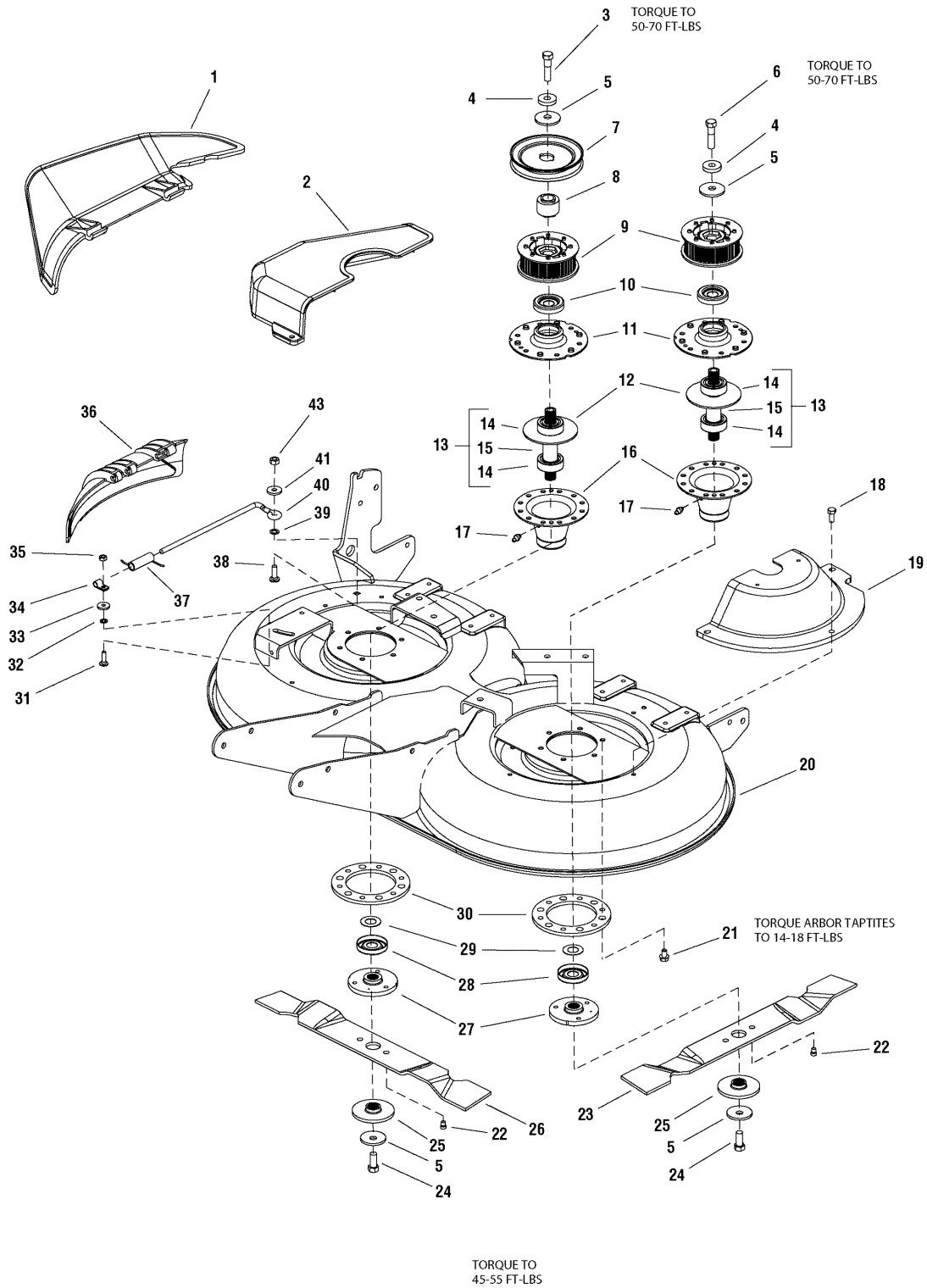
The above parts group applies to the following Mfg. Nos.:

2690591 - Regent

40" Mower Deck - Housing, Arbors & Blades Group

987296

NOTE: Unless noted otherwise,
use the standard hardware torque
specification chart.



The above parts group applies to the following Mfg. Nos.:

2690591 - Regent

40" Mower Deck - Housing, Arbors & Blades Group

REF NO	PART NO.	QTY.	DESCRIPTION
1	1723453SM	1	DEFLECTOR, Discharge
2	1732085SM	1	COVER, Arbor RH Black
3	1930585SM	1	CAPSCREW, Hex Flange, 7/16-14 x 3-1/2 G8
4	1933263SM	2	WASHER
5	1656916SM	4	WASHER, Spring
6	2830584SM	1	CAPSCREW, 7/16-14 x 2-3/4 G8
7	1732123SM	1	PULLEY, Drive
8	1732051SM	1	HUB
9	1687229SM	2	SPROCKET & FLANGE ASSEMBLY, Riveted, 38 Tooth
10	1657969SM	2	SHIELD, Bearing Upper, Arbor
11	1655729ASM	2	COVER, Arbor Housing
12	1707335SM	2	GASKET, Foam
13	1722396SM	2	ARBOR SHAFT & BEARINGS ASSEMBLY (Includes Ref. Nos 48& 49)
14	2108202SM	4	BEARING, Upper
15	1722394SM	2	SHAFT, Spline 5.389LG
16	1703273ASM	2	HOUSING, Arbor Bottom (Includes Ref. No 50)
17	1704314SM	2	FITTING, Grease
18	1664847SM	6	CAPSCREW, Hex Head, Taptite, 5/16-18 x 3/4
19	1724601SM	1	COVER, Arbor, LH
20	1731992CSM	1	HOUSING ASSEMBLY, 40" Mulcher Orange
21	1960373SM	12	CAPSCREW, Taptite Hex Washer Head, 5/16-18 x 1
22	1722258SM	2	PIN, Blade
23	1719624ASM	1	BLADE, Mower 40" Mower LH
24	2827120SM	2	CAPSCREW, Hex Head, 7/16-14 x 2-1/4 G8
25	1722257SM	2	WASHER, Spline
26	1719623ASM	1	BLADE, Mower 40" Mower RH
27	1655777SM	2	ADAPTOR, Blade
28	1700229SM	2	SHIELD, Bearing
29	1700230SM	2	WASHER, Shim
30	1677274ASM	2	ADAPTOR, Arbor
31	1931318SM	1	CARRIAGE BOLT, 1/4-20 x 7/8
32	1960518SM	1	NUT, Push On
33	1960353SM	1	WASHER, Plain, 1/4 (6 Total for Export)
34	1704873SM	1	CLAMP
35	1920397SM	1	NUT, Hex, 1/4-20
36	1719597SM	1	DOOR, Mulching, Black Plastic
37	1723938SM	1	SPRING
38	1931335SM	1	CARRIAGE BOLT, 5/16-18 x 1
39	1933988SM	1	NUT, Push
40	1719617SM	1	ROD, Pivot
41	1919381SM	1	WASHER, Plain, 5/16
43	1919438SM	1	NUT, Hex ESNA 5/16-18

Footnotes

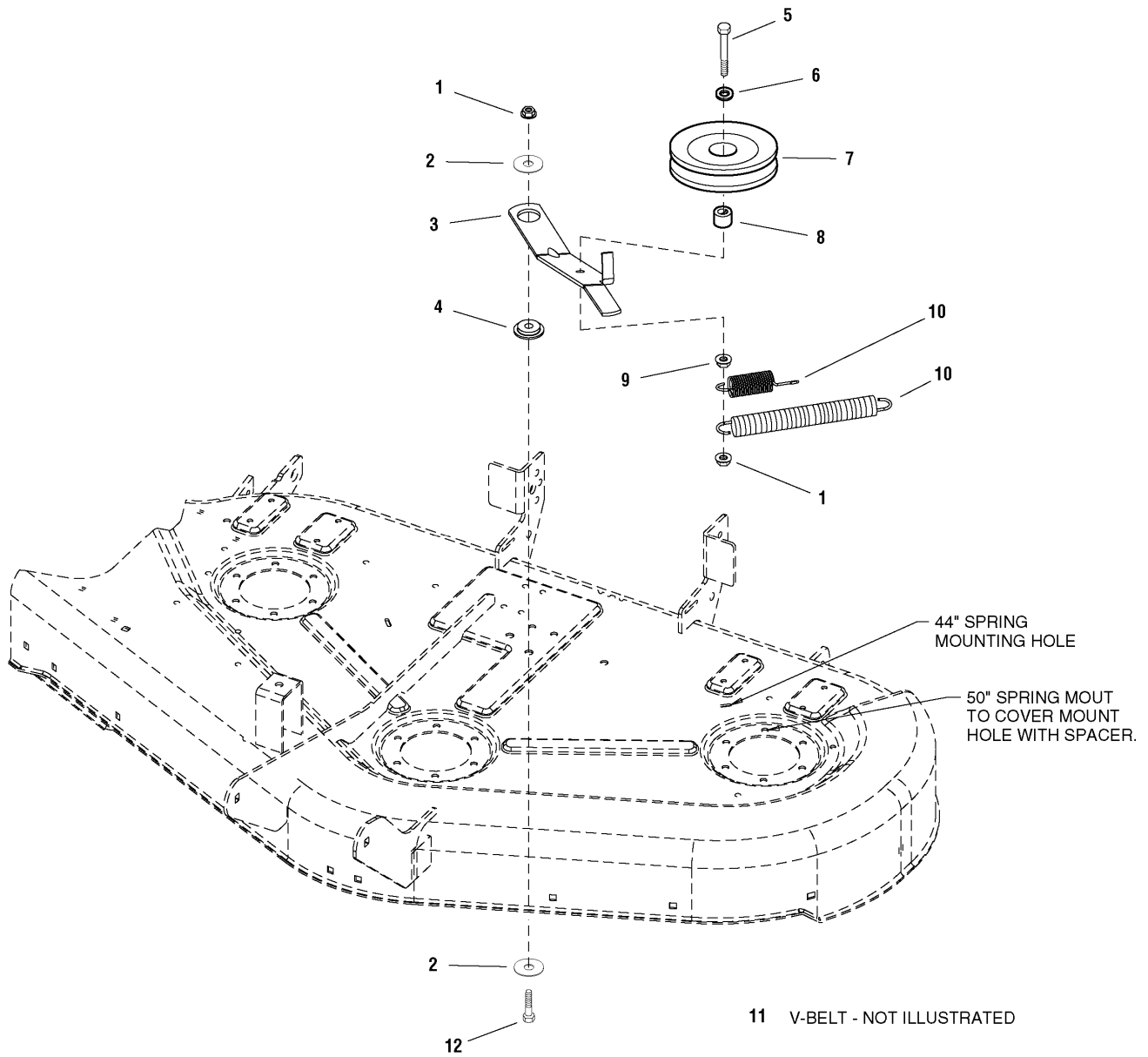
The above parts group applies to the following Mfg. Nos.:

2690591 - Regent

44" & 50" Mower Deck - Belt, Idler Arm & Hitch Group

987079

NOTE: Unless noted otherwise,
use the standard hardware torque
specification chart.



The above parts group applies to the following Mfg. Nos.:

1695130 - 44" Mower	2690574 - Regent	2690588 - 524H
1695131 - 50" Mower	2690575 - Regent	2690590 - Regent
1695133 - 44" Mower	2690576 - Regent	2690592 - Regent
1695134 - 50" Mower	2690583 - 2522H	2690595 - 2518H
1695143 - 44" Mower	2690584 - 2524H	
1695145 - 44" Mower	2690587 - 522H	

44" & 50" Mower Deck - Belt, Idler Arm & Hitch Group

REF NO	PART NO.	QTY.	DESCRIPTION
1	1960339SM	2	NUT, Hex Flange Center Locking, 3/8-16
2	1924356SM	2	WASHER, Plain, 13/32 x 1-1/2 x 1/8
3	1730090ASM	1	ARM, Idler 7GA
4	1714255SM	1	SPACER
5	1921972SM	1	CAPSCREW, Hex Head, 3/8-16 x 2-1/2
6	1924940SM	1	WASHER, 3/8
7	2171247SM	1	PULLEY ASSEMBLY
8	1667812SM	1	SPACER
9	1931211SM	1	NUT, Whizlock, 3/8-16
10	1656936SM	1	SPRING, Extension, Idler Arm (44" Mower Deck)
10	1715435SM	1	SPRING, Extension, Idler Arm (50" Mower Deck)
11	1729627SM	1	V-BELT, Arbor Drive, 44"
11	1732409SM	1	V-BELT, Arbor Drive, 44" (Export/CE Only)
11	1703466SM	1	V-BELT, Arbor Drive, 50"
11	1732957SM	1	V-BELT, Arbor Drive, 50" A-Wedge
11	1732956SM	1	V-BELT, Arbor Drive, 44" (Export/CE Only)
12	1922605SM	1	CAPSCREW, Hex Head, 3/8-16 x 1-1/4, G8

Footnotes

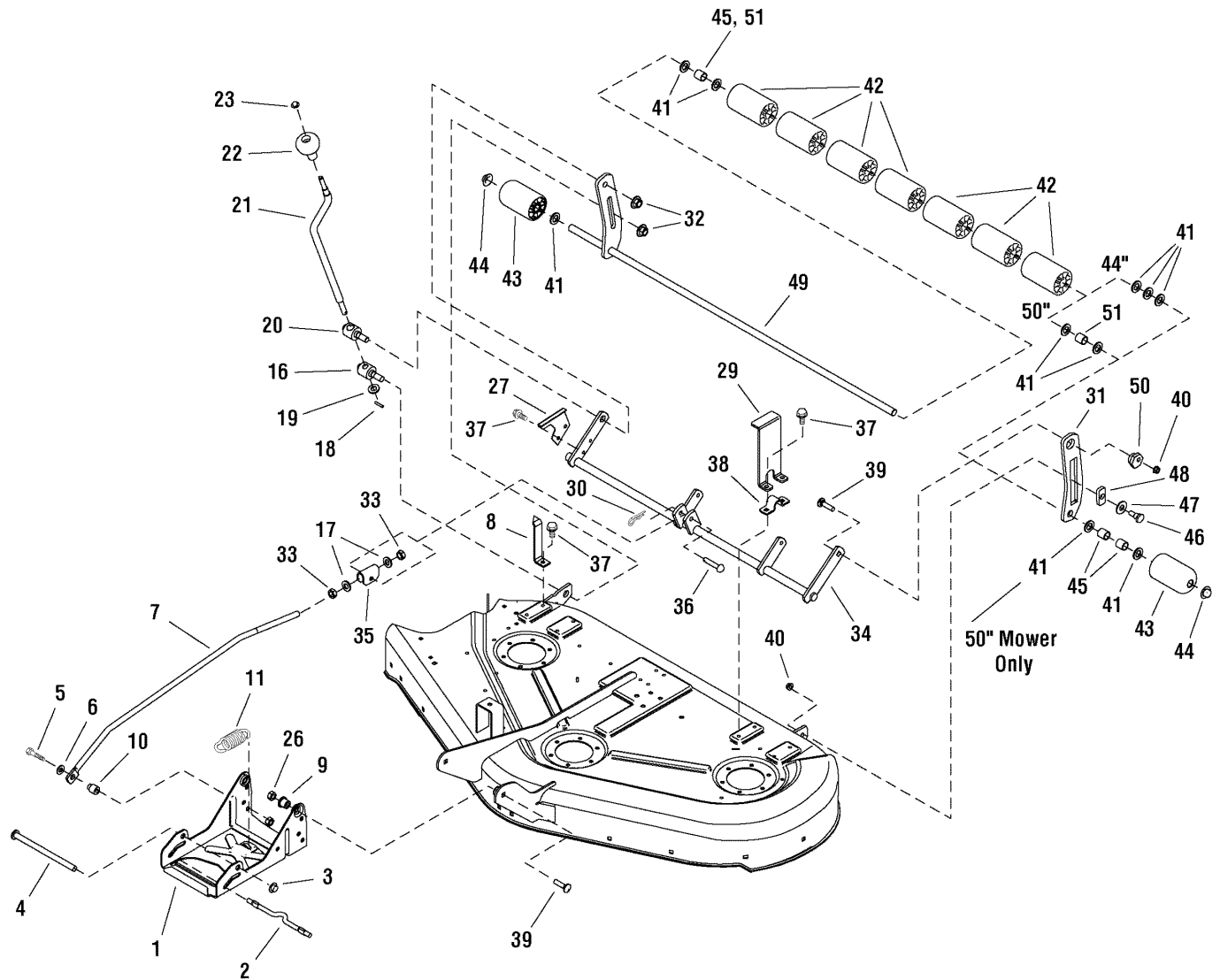
The above parts group applies to the following Mfg. Nos.:

1695130 - 44" Mower	2690574 - Regent	2690588 - 524H
1695131 - 50" Mower	2690575 - Regent	2690590 - Regent
1695133 - 44" Mower	2690576 - Regent	2690592 - Regent
1695134 - 50" Mower	2690583 - 2522H	2690595 - 2518H
1695143 - 44" Mower	2690584 - 2524H	
1695145 - 44" Mower	2690587 - 522H	

44" & 50" Mower Deck - Height Adjust & Roller Group

987468

NOTE: Unless noted otherwise,
use the standard hardware torque
specification chart.



The above parts group applies to the following Mfg. Nos.:

1695130 - 44" Mower	2690574 - Regent	2690588 - 524H
1695131 - 50" Mower	2690575 - Regent	2690590 - Regent
1695133 - 44" Mower	2690576 - Regent	2690592 - Regent
1695134 - 50" Mower	2690583 - 2522H	2690595 - 2518H
1695143 - 44" Mower	2690584 - 2524H	
1695145 - 44" Mower	2690587 - 522H	

44" & 50" Mower Deck - Height Adjust & Roller Group

REF NO	PART NO.	QTY.	DESCRIPTION
1	1720044ASM	1	HITCH, Mower 7GA
2	1715759SM	1	ROD, 3/8 Diameter
3	1960519SM	1	NUT, Push for 1/2 Diameter Stud Capped
4	1713578SM	1	ROD, 1/2 Diameter
5	1922606SM	1	CAPSCREW, Hex Head 3/8-16 x 1-3/4 G8
6	1924940SM	1	WASHER, 3/8
7	1733316SM	1	ROD, 1/2 Diameter E-Coat
8	1720643ASM	1	INDICATOR, Height
9	1732443SM	2	SPACER, Powdered Metal
10	1706644SM	1	SPACER, 3/8 x 3/4 x 15/16
11	2156302SM	1	SPRING, Extension
16	1704086SM	1	TRUNNION, 1-1/4
17	1960170SM	2	WASHER, 1/2
18	2816001SM	1	PIN, Spring
19	1704097SM	1	WASHER, Detent
20	1704087SM	1	TRUNNION, 1-1/4
21	1719901SM	1	CRANK, Height Adjusting
22	1714084SM	1	KNOB, Spinner
23	1960093SM	1	NUT, Push Pal 3/8 Diameter Stud Capped
26	1960687SM	2	NUT, Hex Flange 3/8-16 ESNA
27	1704116ASM	1	BRACKET, Height of Cut 16GA
28	1930601SM	2	SCREW, Hex Washer Head Taptite 5/16-18 x 5/8
29	1733308ASM	1	UPSTOP, 7GA
30	1960074SM	1	CLIP, Hair Pin
31	1733117ASM	1	BAR, Roller Square Slot
32	1930644SM	2	NUT, Hex Flange 1/2-13 Two-Way Lock
33	1913744SM	2	NUT, Hex Jam 1/2-13
34	1733109ASM	1	SHAFT ASSEMBLY, Rocker 44"
34	1733120ASM	1	SHAFT ASSEMBLY, Rocker 50"
35	1704081ASM	1	TRUNNION
36	2118053SM	1	PIN, Round Head Drilled 3/8 x 2
37	1664847SM	6	SCREW, Hex Washer Head Taptite 5/16-18 x 3/4
38	1665374SM	3	STRAP, Roller E-Coat
39	1931352SM	3	CARRIAGE BOLT, 3/8-16 x 1-1/2 G5
40	2860681SM	3	NUT, Hex Toplock Spiral Lock Flange 3/8-16
41	1924366SM	7	WASHER, 5/8
42	1668513SM	7(8)	ROLLER
43	1722036SM	2	ROLLER, Rounded
44	1960520SM	2	NUT, Push for 5/8 Diameter Stud Capped
45	1602946SM	2(3)	SPACER, Split
46	2172622SM	1	BOLT, Shoulder 3/8-16 G5
47	1924361SM	1	WASHER, 1/2
48	1677507SM	1	SLIDE
49	1733122ASM	1	SHAFT ASSEMBLY, Roller 44"

Footnotes

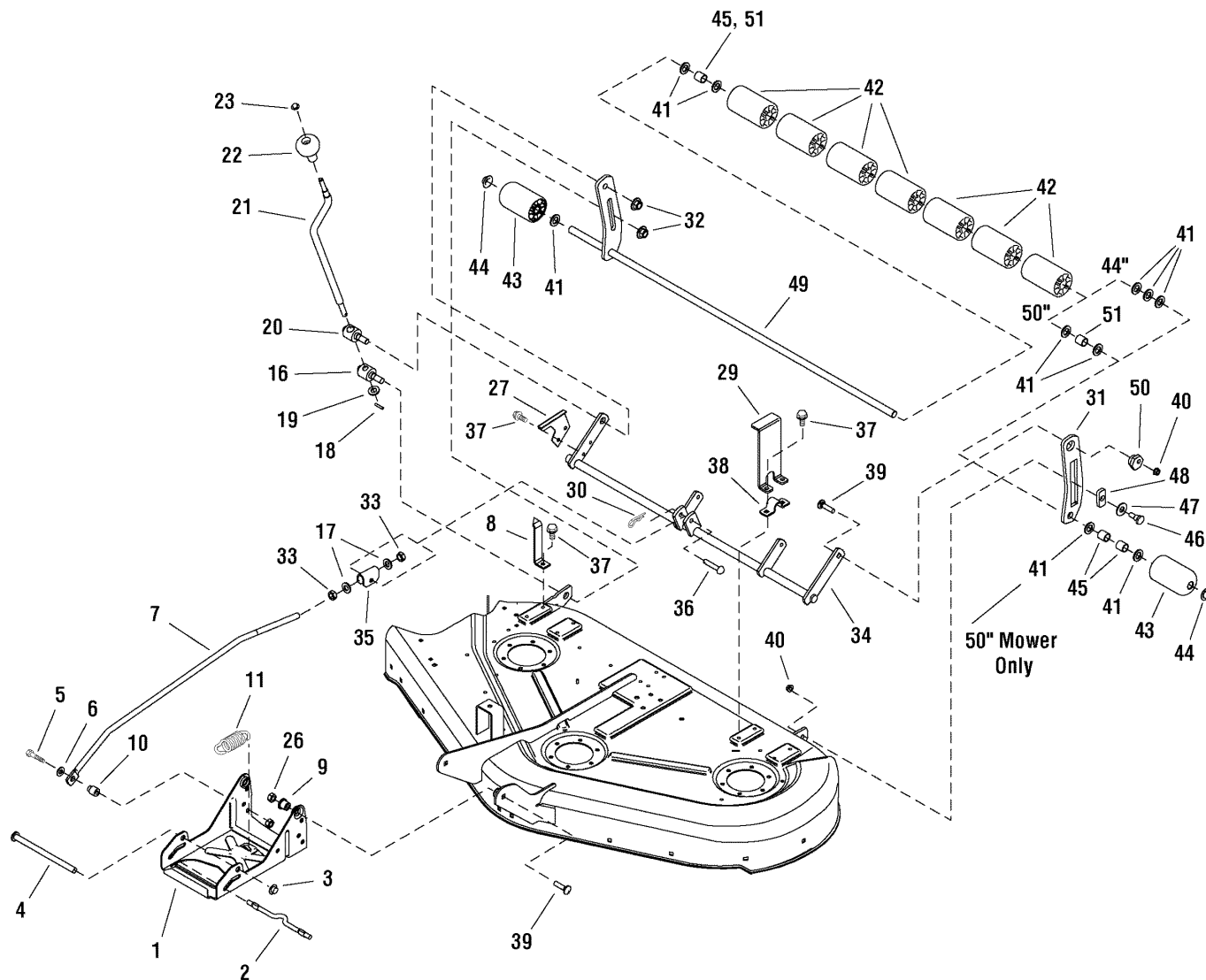
The above parts group applies to the following Mfg. Nos.:

1695130 - 44" Mower	2690574 - Regent	2690588 - 524H
1695131 - 50" Mower	2690575 - Regent	2690590 - Regent
1695133 - 44" Mower	2690576 - Regent	2690592 - Regent
1695134 - 50" Mower	2690583 - 2522H	2690595 - 2518H
1695143 - 44" Mower	2690584 - 2524H	
1695145 - 44" Mower	2690587 - 522H	

44" & 50" Mower Deck - Height Adjust & Roller Group

987468

NOTE: Unless noted otherwise,
use the standard hardware torque
specification chart.



The above parts group applies to the following Mfg. Nos.:

1695130 - 44" Mower	2690574 - Regent	2690588 - 524H
1695131 - 50" Mower	2690575 - Regent	2690590 - Regent
1695133 - 44" Mower	2690576 - Regent	2690592 - Regent
1695134 - 50" Mower	2690583 - 2522H	2690595 - 2518H
1695143 - 44" Mower	2690584 - 2524H	
1695145 - 44" Mower	2690587 - 522H	

44" & 50" Mower Deck - Height Adjust & Roller Group

REF NO	PART NO.	QTY.	DESCRIPTION
49	1733123ASM	1	SHAFT ASSEMBLY, Roller 50"
50	1704082SM	1	NUT, Hex Adjusting Powdered Metal
51	1709195SM	2	SPACER

Footnotes

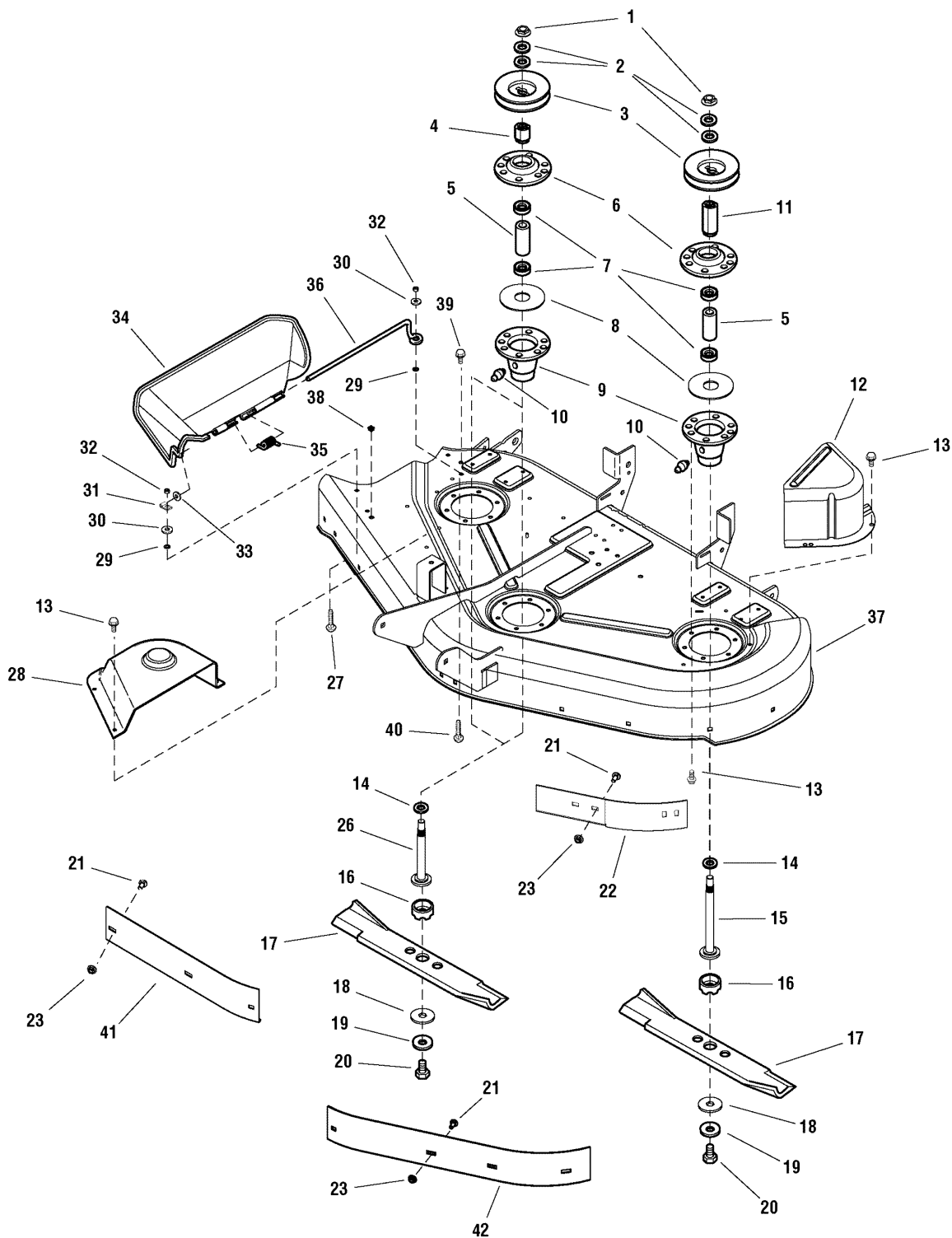
The above parts group applies to the following Mfg. Nos.:

1695130 - 44" Mower	2690574 - Regent	2690588 - 524H
1695131 - 50" Mower	2690575 - Regent	2690590 - Regent
1695133 - 44" Mower	2690576 - Regent	2690592 - Regent
1695134 - 50" Mower	2690583 - 2522H	2690595 - 2518H
1695143 - 44" Mower	2690584 - 2524H	
1695145 - 44" Mower	2690587 - 522H	

44" Mower Deck - Housing, Arbors & Blades Group

987450

NOTE: Unless noted otherwise,
use the standard hardware torque
specification chart.



The above parts group applies to the following Mfg. Nos.:

1695130 - 44" Mower	2690575 - Regent	2690595 - 2518H
1695131 - 50" Mower	2690576 - Regent	
1695133 - 44" Mower	2690583 - 2522H	
1695143 - 44" Mower	2690587 - 522H	
1695145 - 44" Mower	2690590 - Regent	
2690574 - Regent	2690592 - Regent	

44" Mower Deck - Housing, Arbors & Blades Group

REF NO	PART NO.	QTY.	DESCRIPTION
1	1714419SM	3	NUT, Hex, Flange, 9/16-8
2	1713675SM	6	WASHER, Belleville
3	1732951SM	3	PULLEY, RH Arbor & LH Arbor, 4 3/4 (Export/CE)
3	1713098SM	3	PULLEY, RH Arbor & LH Arbor, 4 1/4
4	1713613SM	2	HUB, Pulley, RH (Middle)
5	1732543SM	3	SPACER
6	1713199ASM	3	COVER, Arbor Housing
7	1705897SM	6	BEARING
8	1707335SM	3	GASKET, Foam
9	1713338ASM	3	HOUSING ASSEMBLY, Arbor Bottom, w/Lube Fitting
10	1704314SM	1	FITTING, Grease
11	1713616SM	1	HUB, Adapter, LH
12	1720560ASM	1	COVER, Arbor
13	1664847SM	27	CAPSCREW, Hex Head, Taptite, 5/16-18 x 3/4
14	1713619SM	3	WASHER
15	1713612SM	1	SHAFT, Arbor
16	1713196SM	3	SHIELD, Grass, Lower
17	1704100ASM	3	BLADE, Mower, 16-1/8
18	1713089SM	3	WASHER, Hex
19	1656916SM	3	WASHER, Spring
20	2823471SM	3	CAPSCREW, Hex Head, 7/16-14 x 1-1/4
21	1931333SM	2(8)	BOLT, Carriage, 5/16-18 x 3/4
22	1724538ASM	1	BAFFLE, Anti-Blowout LH
23	1931277SM	2	NUT, Hex, Flange Whizlock, 5/16-18
26	1713609SM	2	SHAFT, Arbor, RH
27	1960698SM	2	CARRIAGE BOLT, 1/4-20 x 1, Black
28	1715673SM	1	COVER, Arbor, RH
29	1960518SM	2	NUT, Push On
30	1960353SM	5(7)	WASHER, Plain, 1/4
31	1704873SM	1	CLAMP
32	1920397SM	2	NUT, Hex Lock, ESNA, 1/4-20
33	1919326SM	1	WASHER, Flat, 5/16
34	1705449SM	1	DEFLECTOR, Plastic
35	7101082SM	1	SPRING
36	1706709SM	1	ROD, Deflector, Front
37	1733128CSM	1	HOUSING ASSEMBLY, 44" Ground Following (Orange)
37	1733128DSM	1	HOUSING ASSEMBLY, 44" Ground Following (Red)
38	1705115SM	1	PLUG, Plastic
39	1923683SM	1	SCREW, Taptite, 3/8-16 x 3/4
40	1960633SM	1(2)	CARRIAGE BOLT, 1/4-20 x 1-1/2 G5
41	1734196ASM	1	BAFFLE, Anti-Blowout RH (Export/CE)
42	1716879ASM	1	BAFFLE, Anti-Blowout LH (Export/CE)

Footnotes

The above parts group applies to the following Mfg. Nos.:

1695130 - 44" Mower	2690575 - Regent	2690595 - 2518H
1695131 - 50" Mower	2690576 - Regent	
1695133 - 44" Mower	2690583 - 2522H	
1695143 - 44" Mower	2690587 - 522H	
1695145 - 44" Mower	2690590 - Regent	
2690574 - Regent	2690592 - Regent	

50" Mower Deck - Housing & Arbor Group

REF NO	PART NO.	QTY.	DESCRIPTION
1	1714419SM	3	NUT, Hex Flange 9/16-18
2	1732951SM	3	PULLEY
3	1713616SM	1	HUB
4	1713199ASM	3	HOUSING, Arbor Top
5	1705897SM	6	BEARING, Ball 11/16 x 9/16 x 15/32
6	1732543SM	3	SPACER, Powdered Metal
7	1707335SM	3	GASKET
8	1713338ASM	3	HOUSING, Arbor Bottom w/Lube Fitting
9	1664847SM	26	SCREW-HEX WSHR HD TAPTT5/16-18X0.750BLK
10	1720560ASM	1	COVER, Arbor
11	1733129CSM	1	HOUSING ASSEMBLY, 50" (Orange)
11	1733129DSM	1	HOUSING ASSEMBLY, 50" (Red)
12	1931333SM	2	CARRIAGE BOLT, 5/16-18 x 3/4 G5
13	1724538ASM	1	BAFFLE, Blowout, Short
14	1931277SM	3	NUT, Hex Flange 5/16-18, Whiz Lock Small
15	1713619SM	3	WASHER, Cup
16	1713612SM	1	SHAFT, Arbor
17	1713196SM	3	SHIELD, Grass Lower Arbor, Heat Treated
18	1708229SM	3	BLADE, Mower
19	1713089SM	3	WASHER, Hex 11/16 x 2
20	1656916SM	3	WASHER, Spring
21	2823471SM	3	CAPSCREW, Hex Head 7/16-14 x 1-1/4 G8
22	1713609SM	2	SHAFT, Arbor
23	1960698SM	1	CARRIAGE BOLT, 1/4-20 x 1 G5
24	1715673SM	1	COVER, Arbor
25	1960518SM	2	NUT, Push for 1/4 Diameter Thread
26	1960353SM	4	WASHER, 1/4
27	1704873SM	1	CLAMP, Wire
28	1919326SM	1	WASHER, 5/16
29	7101082SM	1	SPRING, Torsion, Chute
30	1920397SM	2	NUT, Hex Lock ESNA Light 1/4-20
31	1705449SM	1	DEFLECTOR
32	1706709SM	1	ROD, Deflector
33	1713613SM	2	HUB
34	1705115SM	1	PLUG
36	1713675SM	6	WASHER, Bellville
37	1960730SM	1	SCREW, Hex Head Serange Flange Taptite 5/16-18 x 2
38	1960633SM	1	CARRIAGE BOLT, 1/4-20 x 1-1/2 G5

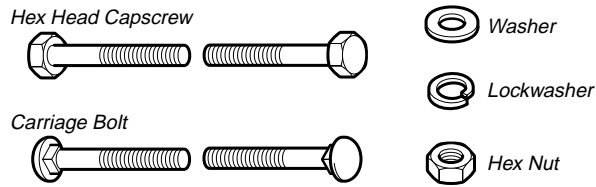
Footnotes

The above parts group applies to the following Mfg. Nos.:

1695134 - 50" Mower
 2690584 - 2524H
 2690588 - 524H

Hardware Identification & Torque Specifications

Common Hardware Types

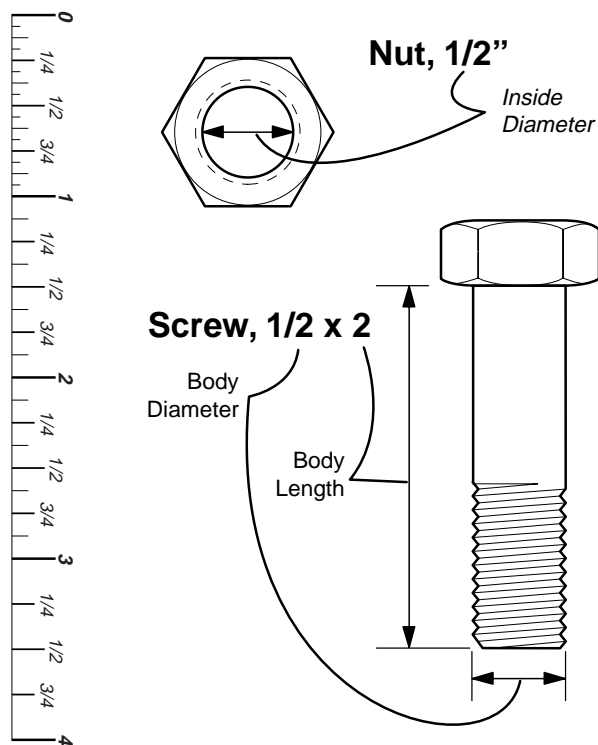


Standard Hardware Sizing

When a washer or nut is identified as 1/2", this is the *Nominal size*, meaning the *inside diameter* is 1/2 inch; if a second number is present it represents the *threads per inch*

When bolt or capscrew is identified as 1/2 - 16 x 2", this means the *Nominal size*, or *body diameter* is 1/2 inch; the second number represents the *threads per inch* (16 in this example, and the final number is the *body length* of the bolt or screw (in this example 2 inches long).

The guides and ruler furnished below are designed to help you select the appropriate hardware and tools.



Torque Specification Chart

FOR STANDARD MACHINE HARDWARE (Tolerance $\pm 20\%$)

Hardware Grade	No Marks SAE Grade 2		SAE Grade 5		SAE Grade 8	
	in/lbs ft/lbs	Nm.	in/lbs ft/lbs	Nm.	in/lbs ft/lbs	Nm.
8-32	19	2.1	30	3.4	41	4.6
8-36	20	2.3	31	3.5	43	4.9
10-24	27	3.1	43	4.9	60	6.8
10-32	31	3.5	49	5.5	68	7.7
1/4-20	66	7.6	8	10.9	12	16.3
1/4-28	76	8.6	10	13.6	14	19.0
5/16-18	11	15.0	17	23.1	25	34.0
5/16-24	12	16.3	19	25.8	27	34.0
3/8-16	20	27.2	30	40.8	45	61.2
3/8-24	23	31.3	35	47.6	50	68.0
7/16-14	30	40.8	50	68.0	70	95.2
7/16-20	35	47.6	55	74.8	80	108.8
1/2-13	50	68.0	75	102.0	110	149.6
1/2-20	55	74.8	90	122.4	120	163.2
9/16-12	65	88.4	110	149.6	150	204.0
9/16-18	75	102.0	120	163.2	170	231.2
5/8-11	90	122.4	150	204.0	220	299.2
5/8-18	100	136	180	244.8	240	326.4
3/4-10	160	217.6	260	353.6	386	525.0
3/4-16	180	244.8	300	408.0	420	571.2
7/8-9	140	190.4	400	544.0	600	816.0
7/8-14	155	210.8	440	598.4	660	897.6
1-8	220	299.2	580	788.8	900	1,244.0
1-12	240	326.4	640	870.4	1,000	1,360.0

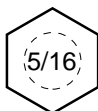
NOTES

- These torque values are to be used for all hardware excluding: locknuts, self-tapping screws, thread forming screws, sheet metal screws and socket head setscrews.
- Recommended seating torque values for locknuts:
 - for prevailing torque locknuts - use 65% of grade 5 torques.
 - for flange whizlock nuts and screws - use 135% of grade 5 torques.
- Unless otherwise noted on assembly drawings, all torque values must meet this specification.

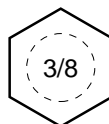
Wrench & Fastener Size Guide



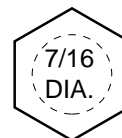
1/4" Bolt or Nut
Wrench—7/16"



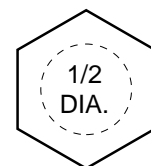
5/16" Bolt or Nut
Wrench—1/2"



3/8" Bolt or Nut
Wrench—9/16"



7/16" Bolt or Nut
Wrench (Bolt)—5/8"
Wrench (Nut)—11/16"



1/2" Bolt or Nut
Wrench—3/4"

Simplicity

MANUFACTURING, INC.
500 N. Spring Street / PO Box 997
Port Washington, WI 53074-0997 USA

www.simplicitymfg.com

© Copyright 2007 Simplicity Manufacturing, Inc.
All Rights Reserved. Printed In USA.

