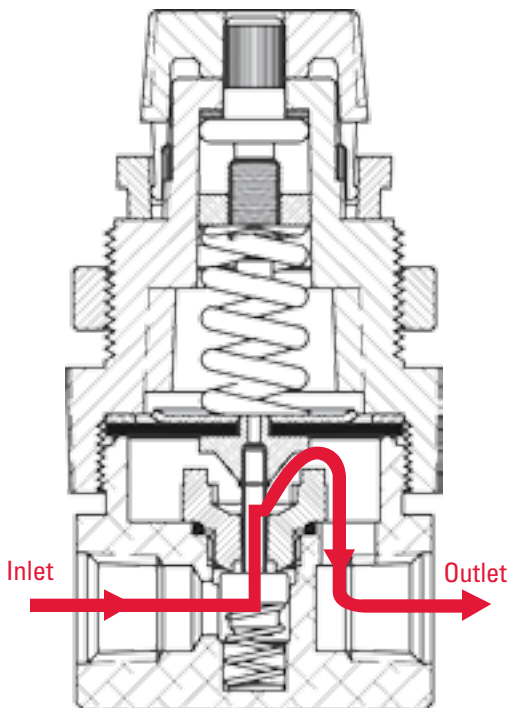




Regulators

Adequate pressure regulation is necessary for the efficient use of pneumatic equipment. Monnier regulators are built in a variety of sizes (1/8" through 1-1/2") and with varied specifications to help suit each application's requirements. Our regulators are built with two basic designs. Diaphragm operated regulators are used to offer a quick response and maximum accuracy. Piston operated regulators provide the highest air flow possible in the larger regulator series. Monnier regulators can also be offered as relieving or non-relieving, depending on the specific needs of the application.

Monnier designs a wide variety of compressed air regulators to provide constant pressure. Standard regulators are suitable for optimal pressure ranges from 0-10 psi to 20-250 psi.



Additional Options

- Preset at the factory
- Preset and tamper-resistant
- Lock and key regulators to eliminate unwanted adjustment
- Reverse flow regulators
- Manifold mount regulators
- Pilot operated regulators
- Anodizing available in any of eight standard colors for any regulator
- Multiple mounting options for all regulators; pipe, bracket or panel mounting

Features

- All regulators will adjust to zero psi (shutoff) and to pressure above the range shown.
- Gauge port plugs are included with all regulators.
- Fluorocarbon seals available in place of Buna-N.
- All regulators available with pressure gauges corresponding to the pressure range.

Specifications

Maximum Inlet Pressure: 250 PSI

Maximum Temperature: 175°F

TABLE OF CONTENTS

3000 Miniature Series	1/8 & 1/4	3, 4
Reverse Flow Regulators	1/8, 1/4, 3/8 & 1/2	5
104-1000 Standard Series	1/4, 3/8 & 1/2	6, 7
108-1000 Series	1/4, 3/8 & 1/2	8
101-1000 Series	1/2 & 3/4	9
4000/5000 Heavy Duty Series	3/4, 1, 1 1/4 & 1 1/2	10
Iso-Sized Manifold Mount Regulators		11-13
Piloted Operated Pressure Regulators	1/8 - 1 1/2	14, 15
Subminiature Regulators	1/16 & 1/8	16
UL Label Regulators	1/8, 1/4, 3/8 & 1/2	17
3101 Series Relief Valves	1/8 & 1/4	18



Warning

- Product rupture can cause serious injury
- Do not connect regulator to bottled gas
- Do not exceed maximum primary pressure rating

WARRANTY: Monnier, Inc. warrants each product against defects in material and workmanship for a period of one year from the date of manufacture providing its use was in accordance with Monnier, Inc. recommendations. If the product fails to perform as warranted, Monnier, Inc. will, at its option, repair or replace the product free of charge. The company will not be liable for incidental or consequential damages. We make no other warranty, expressed or implied, including warranties of merchantability or fitness for a particular purpose.

REGULATORS: 101-3000/111-3000/102-3000 Miniature Series



Features

- Machined aluminum body provides close tolerances for exceptional accuracy, repeatability and responsiveness
- Available with polycarbonate bonnet with locking ring or aluminum bonnet and locking nut
- Diaphragm style regulator for minimal hysteresis and greater accuracy and responsiveness
- Constant bleed fitting available for even greater accuracy
- Relieving and non-relieving versions available
- Gauge port plugs included
- Preset and tamperproof options available
- Also available with brass body for water service (non-relieving recommended)

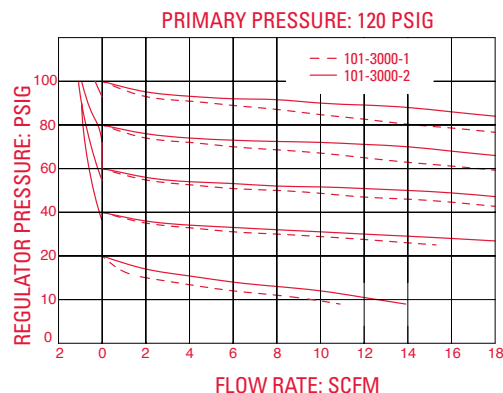
Materials of Construction

Body: Machined Aluminum or Brass
Bonnet: 101-3000: Polycarbonate
 111/102-3000: Aluminum
Adjustment Screw:
 101-3000: Black Oxide Coated Steel
 111/102-3000: Zinc Plated Steel (102 series)
Poppet Seat: Nylon
Diaphragm Assembly: Zinc Plated Steel, Brass, Buna-N (Fluorocarbon available)
Seals: Buna-N (Fluorocarbon available)
Poppet Spring: Stainless Steel
Compression Spring: Music Wire, Spring Steel
Bracket: Zinc Plated Steel
Panel Nut: Machined Aluminum

Operating Specifications

Gauge Ports: 1/8" NPT
Maximum Inlet Pressure: 250 PSIG
Temperature Range: 0-175°F
Weight: 87 g

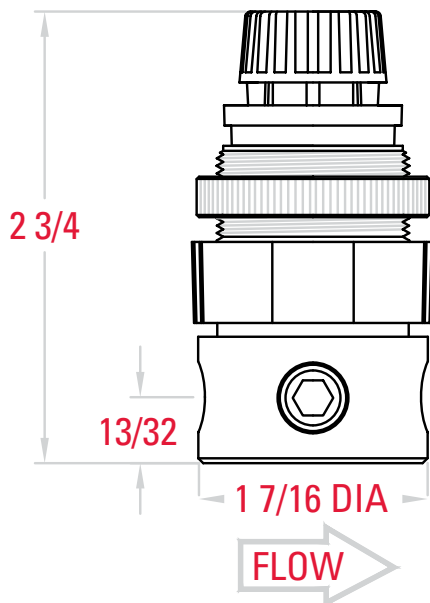
Flow Characteristics



Accessories & Kits

Panel Nuts: 13133 (101-3000 Series);
 13025 (111/102-3000 Series)
Bracket Kits: 13536 (101-3000 Series);
 13534 (111/102-3000 Series)
Service Kits: 13532 (Relieving);
 13533 (Non-Relieving)
Constant Bleed Fitting: 13520

Dimensions



Ordering Information

101 -3000-2

Bonnet	
Polycarbonate	01
Aluminum w/ Adjusting Screw	11
Aluminum w/ Knob	02

Body	
Aluminum (standard)	Blank
Brass	B

Gauge Ports	
Yes	0
No	1

Pressure	
10-130 Relieving	00
10-130 Non-Relieving	01
5-60 Relieving	02
5-60 Non-Relieving	03
3-30 Relieving	04
3-30 Non-Relieving	05
20-250 Relieving (Aluminum Bonnet Only)	06
20-250 Non-Relieving (Aluminum Bonnet Only)	07
1-10 Relieving	08
1-10 Non-Relieving	09

Pipe Size	
1/8"	1
1/4"	2

OPTIONS

Anodizing

No Anodizing	Blank
Blue	A1
Black	A2
Clear	A3
Green	A4
Red	A5
Yellow	A6
Gold	A7
Purple	A8

Seals

Buna-N	Blank
Fluorocarbon	V

Attachment Parts

Bracket Kit	B
Gauge	G

Tamperproof

Tamperproof (Plastic Tie w/ Poly Bonnet)	T
Tamperproof (Set screw w/ Alum Bonnet)	TS
Preset	P
Preset & Tamperproof (Plastic Tie)	PT
Preset & Tamperproof (Set Screw)	PTS

REGULATORS: 101-3100 Manifold Mount Series



Features

- Same performance as the 101-3000 series but with easy to mount manifold interface
- 3/8-24 nipple acts as inlet and mounting mechanism
- No mounting screw or hardware required
- Perfect for multiple pressure manifolds or integrating components in a pneumatic circuit

Operating Specifications

Maximum Inlet Pressure: 250 PSIG
Temperature Range: 0-175°F
Weight: 87 g

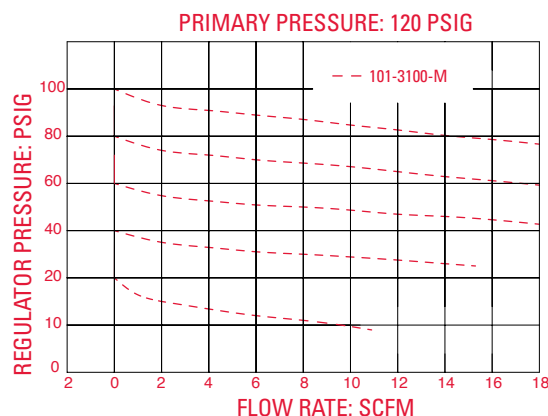
Accessories & Kits

Panel Nuts: 13133 (101-3000 Series);
 13025 (111/102-3000 Series)
Bracket Kits: 13536 (101-3000 Series);
 13534 (111/102-3000 Series)
Service Kits: 13532 (Relieving);
 13533 (Non-Relieving)
Constant Bleed Fitting: 13520

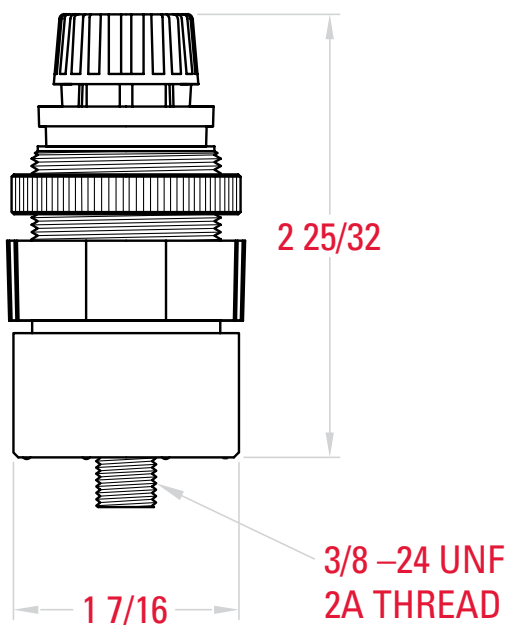
Materials of Construction

Body: Machined Aluminum or Brass
Bonnet: 101-3000: Polycarbonate
 111/102-3000: Aluminum
Adjustment Screw:
101-3000: Black Oxide Coated Steel
111/102-3000: Zinc Plated Steel (102 series)
Poppet Seat: Nylon
Diaphragm Assembly: Zinc Plated Steel, Brass, Buna-N (Fluorocarbon available)
Seals: Buna-N (Fluorocarbon available)
Poppet Spring: Stainless Steel
Compression Spring: Music Wire, Spring Steel
Bracket: Zinc Plated Steel
Panel Nut: Machined Aluminum
Mounting Nipple: Zinc Plated Steel

Flow Characteristics



Dimensions



Ordering Information

101-3100-M

Bonnet

Polycarbonate	01
Aluminum w/ Adjusting Screw	11
Aluminum w/ Knob	02

Pressure

10-130 Relieving	00
10-130 Non-Relieving	01
5-60 Relieving	02
5-60 Non-Relieving	03
3-30 Relieving	04
3-30 Non-Relieving	05
20-250 Relieving	06
(Aluminum Bonnet Only)	06
20-250 Non-Relieving	07
(Aluminum Bonnet Only)	07
1-10 Relieving	08
1-10 Non-Relieving	09

OPTIONS

Anodizing

No Anodizing	Blank
Blue	A1
Black	A2
Clear	A3
Green	A4
Red	A5
Yellow	A6
Gold	A7
Purple	A8

REGULATORS: 101C-3000 Reverse Flow Miniature Series



Features

- Provides regulated pressure when flowing inlet to outlet
- Built-in check valve allows unrestricted reverse flow
- Allows regulator to be placed between valve and actuator to regulate cylinder ports independently
- Same accuracy, repeatability and responsiveness as standard 101-3000 regulators

Operating Specifications

Gauge Ports: 1/8" NPT
Maximum Inlet Pressure: 250 PSIG
Temperature Range: 0-175°F
Weight: 87 g



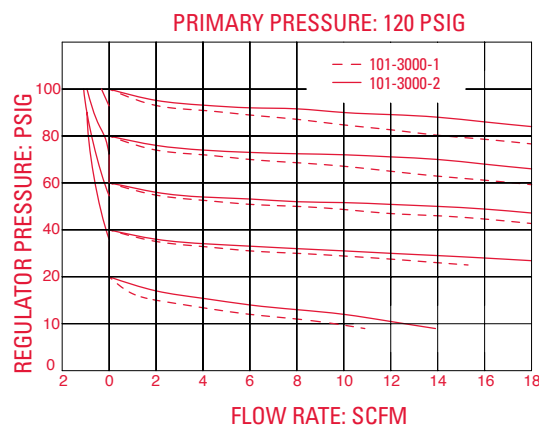
Accessories & Kits

Panel Nuts: 13133 (101-3000 Series);
 13025 (111/102-3000 Series)
Bracket Kits: 13536 (101-3000 Series);
 13534 (111/102-3000 Series)
Service Kits: 13532 (Relieving);
 13533 (Non-Relieving)
Constant Bleed Fitting: 13520

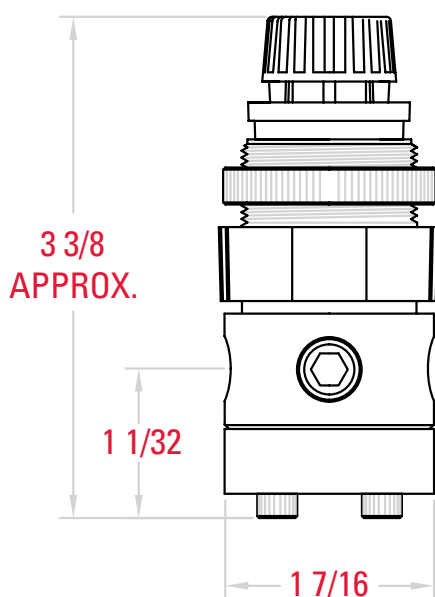
Materials of Construction

Body: Aluminum
Bonnet: Polycarbonate or Aluminum
Adjustment Screw:
 101-3000: Black Oxide Coated Steel
 111/102-3000: Zinc Plated Steel (102 Series)
Poppet Seat: Nylon
Diaphragm Assembly: Zinc Plated Steel, Brass,
 Buna-N (Fluorocarbon available)
Seals: Buna-N (Fluorocarbon available)
Poppet Spring: Stainless Steel
Compression Spring: Music Wire, Spring Steel
Poppet Spring: Stainless Steel
Bracket: Zinc Plated Steel
Panel Nut: Machined Aluminum
Check Valve Ball: Buna-N (Fluorocarbon Available)
Check Valve Spring: Stainless Steel
Check Valve Cover: Aluminum

Flow Characteristics



Dimensions



Ordering Information

101C-1000-2

Bonnet	
Polycarbonate	01
Aluminum w/ Adjusting Screw	11
Aluminum w/ Knob	02

Gauge Ports	
Yes	0
No	1

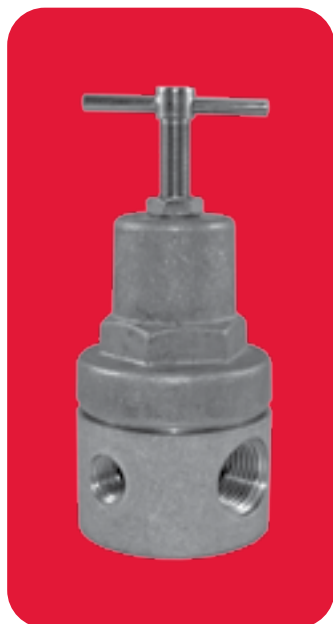
Pressure	
10-130 Relieving	00
10-130 Non-Relieving	01
5-60 Relieving	02
5-60 Non-Relieving	03
3-30 Relieving	04
3-30 Non-Relieving	05
20-250 Relieving	06
20-250 Non-Relieving	07
1-10 Relieving	08
1-10 Non-Relieving	09

Pipe Size	
1/8"	1
1/4"	2

OPTIONS

Anodizing	
No Anodizing	Blank
Blue	A1
Black	A2
Clear	A3
Green	A4
Red	A5
Yellow	A6
Gold	A7
Purple	A8
Seals	
Buna-N	Blank
Fluorocarbon	V
Attachment Parts	
Bracket Kit	B
Gauge	G
Tamperproof	
Tamperproof (Plastic Tie w/ Poly Bonnet)	T
Tamperproof (Set screw w/ Alum Bonnet)	TS
Preset	P
Preset & Tamperproof (Plastic Tie)	PT
Preset & Tamperproof (Set Screw)	PTS

REGULATORS: 104-1000 Standard Series



Features

- Machined Aluminum body provides close tolerances for exceptional accuracy, repeatability and responsiveness
- Diaphragm style regulator for minimal hysteresis and greater responsiveness
- Constant bleed fitting available for even greater accuracy
- Relieving and non-relieving versions available
- Gauge port plugs included
- Bracket and panel mounting available
- Available with T-handle, knob or lock and key mechanism
- Preset and tamperproof options available

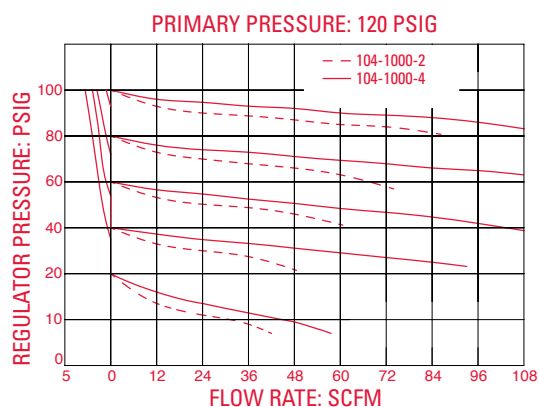
Materials of Construction

- Body:** Machined Aluminum
- Bonnet:** Aluminum
- Adjustment Screw:** Zinc Plated Steel
- Poppet Valve:** Brass
- Poppet Spring:** Stainless Steel
- Poppet Seat:** Brass
- Diaphragm Assembly:** Buna-N (Fluorocarbon available) and Brass
- Seals:** Buna-N (Fluorocarbon available)
- Compression Spring:** Zinc Plated Steel
- Spring Guide:** Zinc Plated Steel

Operating Specifications

- Gauge Ports:** two 1/4" NPT (Standard)
- Maximum Inlet Pressure:** 250 PSIG
- Temperature Rating:** Aluminum Bonnet: 0-175°F
- Weight:** 430 g

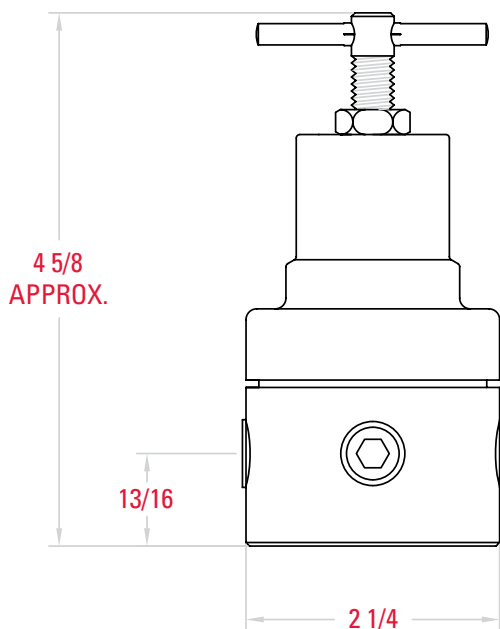
Flow Characteristics



Accessories & Kits

- Panel Nuts:** 11124 (105 & 106)
- Repair Kit:** (Relieving) 11513; (Relieving -1006) 11959; (Non-Relieving) 11515; (Non-Relieving-1007) 11958
- Bracket:** 11122 (105 & 106); 11543 (104)
- Constant Bleed Fitting:** (1/4") 13557

Dimensions



Ordering Information

104-1000-2

Thread Options	
Unthreaded Bonnet	4
Threaded bonnet w/ Nuts	5
Threaded Bonnet w/ Bracket and Nuts	6

Gauge Ports	
Yes	0
No	1

Pressure	
10-130 Relieving	00
10-130 Non-Relieving	01
5-60 Relieving	02
5-60 Non-Relieving	03
3-30 Relieving	04
3-30 Non-Relieving	05
20-250 Relieving	06
20-250 Non-Relieving	07

Pipe Size	
1/4"	2
3/8"	3
1/2"	4

OPTIONS

Anodizing	
No Anodizing	Blank
Blue	A1
Black	A2
Clear	A3
Green	A4
Red	A5
Yellow	A6
Gold	A7
Purple	A8
Seals	
Buna-N	Blank
Fluorocarbon	V
Attachment Parts	
Gauge	G
Knob	K
Tamperproof	
Tamperproof (Lock & Key)	T
Preset	P
Preset & Tamperproof (Lock & Key)	PT

REGULATORS: 104C-1000 Standard Series



Features

- Provides regulated pressure when flowing inlet to outlet
- Built-in check valve allows unrestricted reverse flow
- Allows regulator to be placed between valve and actuator to regulate cylinder ports independently
- Same accuracy, repeatability and responsiveness as standard 104-1000 regulators

Operating Specifications

Gauge Ports: 1/4" NPT (Standard)
Maximum Inlet Pressure: 250 PSIG
Temperature Rating: Aluminum Bonnet: 0-175°F
Weight: 430 g



Relieving



Non-Relieving

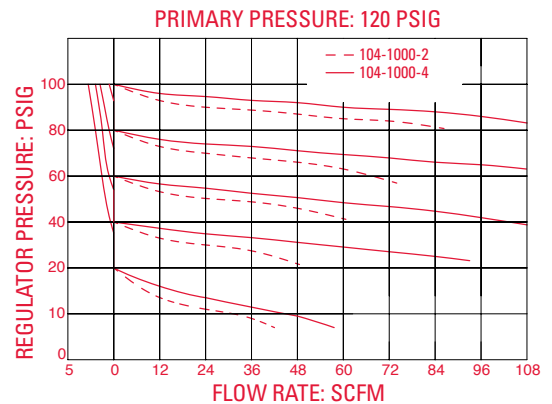
Accessories & Kits

Panel Nuts: 11124 (105 & 106)
Repair Kit: (Relieving) 11513;
 (Relieving -1006) 11959;
 (Non-Relieving) 11515;
 (Non-Relieving-1007) 11958
Bracket: 11122 (105 & 106); 11543 (104)
Constant Bleed Fitting: (1/4") 13557

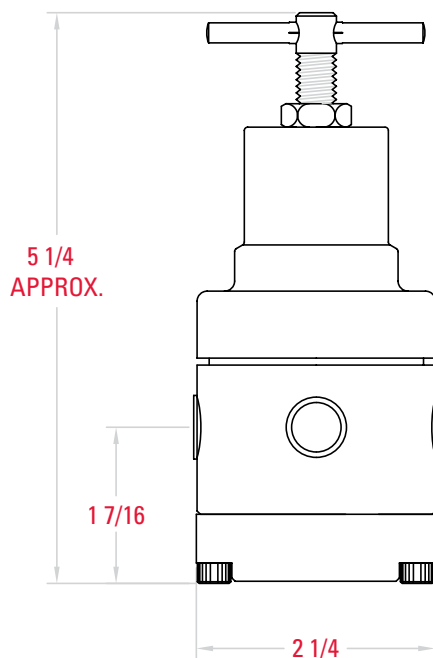
Materials of Construction

Body: Machined Aluminum
Bonnet: Aluminum
Adjustment Screw: Zinc Plated Steel
Poppet Valve: Brass
Poppet Spring: Stainless Steel
Poppet Seat: Brass
Diaphragm Assembly: Buna-N and Brass
 (Fluorocarbon available)
Seals: Buna-N (Fluorocarbon available)
Compression Spring: Zinc Plated Steel
Check Valve Ball: Buna-N (Fluorocarbon Available)
Check Valve Spring: Stainless Steel
Check Valve Cover: Machined Aluminum

Flow Characteristics



Dimensions



Ordering Information

104C-1000-2

Thread Options	
Unthreaded Bonnet	4
Threaded bonnet w/ Nuts	5
Threaded Bonnet w/ Bracket and Nuts	6

Pressure	
10-130 Relieving	00
10-130 Non-Relieving	01
5-60 Relieving	02
5-60 Non-Relieving	03
3-30 Relieving	04
3-30 Non-Relieving	05
20-250 Relieving	06
20-250 Non-Relieving	07

Pipe Size	
1/4"	2
3/8"	3
1/2"	4

OPTIONS

Anodizing	
No Anodizing	Blank
Blue	A1
Black	A2
Clear	A3
Green	A4
Red	A5
Yellow	A6
Gold	A7
Purple	A8
Seals	
Buna-N	Blank
Fluorocarbon	V
Attachment Parts	
Gauge	G
Knob	K
Tamperproof	
Tamperproof (Lock & Key)	T
Preset	P
Preset & Tamperproof (Lock & Key)	PT

REGULATORS: 108-1000 Standard Series



Features

- Convenient push to lock knob design
- Acetal bonnet and knob
- Mounting nut comes standard
- Diaphragm design for minimal hysteresis and greater responsiveness
- Black anodizing standard (other colors available)
- Machined aluminum body
- Can be ordered with gauge

Operating Specifications

Gauge Ports: 1/4" NPT (Standard)
Maximum Inlet Pressure: 250 PSIG
Temperature Rating: Aluminum Bonnet: 0-175°F
Weight: 522g

Materials of Construction

Body: Machined Aluminum
Bonnet: Glass Filled Acetal
Knob, Adjuster & Mounting Nut: Acetal
Diaphragm Gasket: Acetal
Spring Guide: Machined Aluminum
Seat: Brass
Poppet Assembly: Brass
Seals: Buna-N (Fluorocarbon available)
Compression Spring: Zinc Plated Steel
Poppet Spring: Stainless Steel

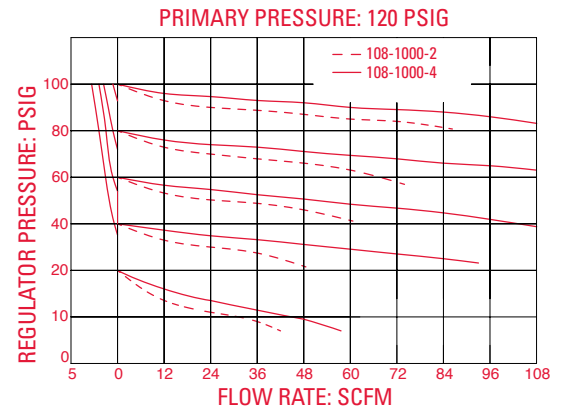


Accessories & Kits

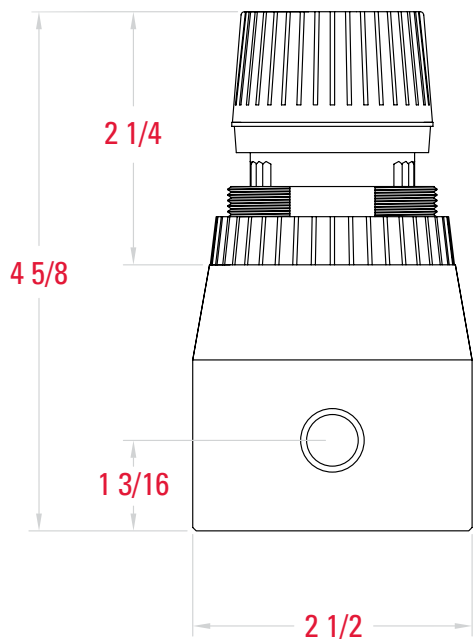
Mounting Bracket: 11430

REGULATOR KITS	0-50 PSI	0-150 PSI
Relieving (1/4 & 3/8):	11472	11470
Non-Relieving (1/4 & 3/8):	11473	11471
REGULATOR KITS	0-50 PSI	0-150 PSI
Relieving (1/2):	11482	11480
Non-Relieving (1/2):	11483	11481

Flow Characteristics



Dimensions



Ordering Information

108-1000-4

Pressure Range	
0-150 Relieving	0
0-150 Non-Relieving	1
0-50 Relieving	2
0-150 Non-Relieving	3

OPTIONS	
Anodizing	
Black	Blank
Blue	A1
Clear	A3
Green	A4
Red	A5
Yellow	A6
Gold	A7
Purple	A8
Preset	P
Attachment Parts	
Gauge	G
Bracket	B
Seals	
Buna-N (Standard)	Blank
Fluorocarbon	V
Pipe Size	
1/4	-2
3/8	-3
1/2	-4

REGULATORS: 101-1000 Standard Series



Features

- Machined aluminum body provides close tolerances for exceptional accuracy, repeatability and responsiveness
- Diaphragm style regulator for minimal hysteresis and greater responsiveness
- Constant bleed fitting available for even greater accuracy
- Relieving and non-relieving versions available
- Gauge port plugs included
- Available with T-handle, knob or lock and key mechanism
- Available with 1/2" and 3/4" ports

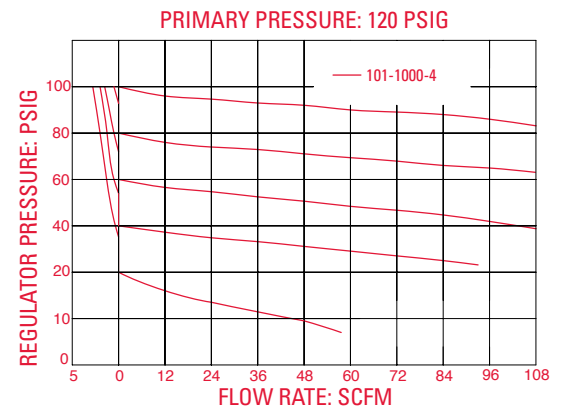
Materials of Construction

- Body:** Machined Aluminum
- Diaphragm Assembly:** Buna-N (Fluorocarbon Available) and Brass
- Compression Spring:** Spring Steel
- Bonnet:** Aluminum
- Poppet Seat:** Brass
- Poppet Valve:** Brass
- Adjustment Screw:** Plated Steel
- T-Handle:** Zinc Plated Steel
- Knob:** Plastic
- Spring Guide:** Zinc Plated Steel

Operating Specifications

- Gauge Ports:** 1/4" NPT (Standard)
- Maximum Inlet Pressure:** 250 PSIG
- Temperature Rating:** Aluminum Bonnet: 0-175°F
- Weight:** 522g

Flow Characteristics



Relieving

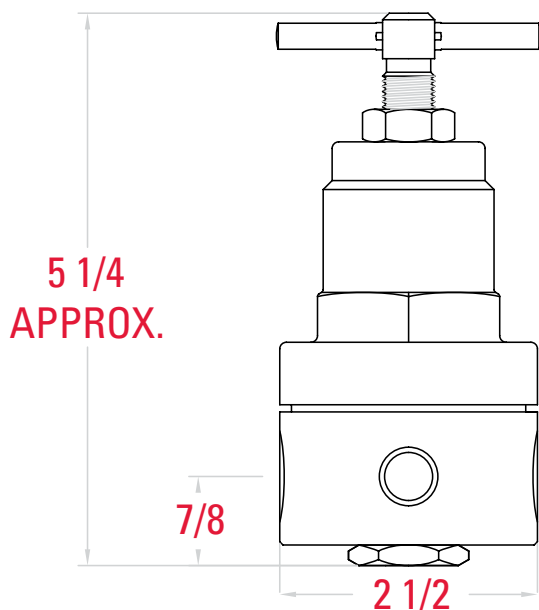


Non-Relieving

Accessories & Kits

- Panel Nuts:** 11124 (102 & 103)
- Repair Kit:**
 - (Relieving) 11544
 - (Non-Relieving) 11565
 - (Relieving-1006) 11545
 - (Non-Relieving-1007) 11546
- Constant Blend Fitting:** 13557

Dimensions



Ordering Information

101-1000-4

Bonnet	
Unthreaded Bonnet	1
Threaded bonnet w/ Nuts	2
Threaded Bonnet w/ Bracket and Nuts	3

Pressure	
10-130 Relieving	00
10-130 Non-Relieving	01
5-60 Relieving	02
5-60 Non-Relieving	03
3-30 Relieving	04
3-30 Non-Relieving	05
20-250 Relieving	06
20-250 Non-Relieving	07
1-10 Relieving	08
1-10 Non-Relieving	09

Pipe Size	
1/2"	4
3/4"	6

OPTIONS

Anodizing	
No Anodizing	Blank
Blue	A1
Black	A2
Clear	A3
Green	A4
Red	A5
Yellow	A6
Gold	A7
Purple	A8
Seals	
Buna-N	Blank
Fluorocarbon	V
Attachment Parts	
Gauge	G
Knob	K
Tamperproof	
Tamperproof (Lock & Key)	T
Preset	P
Preset & Tamperproof (Lock & Key)	PT

REGULATORS: 116-4000/5000 Heavy Duty Series



Relieving



Non-Relieving

Features

- Pipe size between 3/4" and 1-1/2"
- Machined aluminum body provides close tolerances for exceptional accuracy, repeatability and responsiveness.
- Piston style regulator
- Relieving and non-relieving versions available
- Gauge port plugs included
- Available with T-handle, knob or lock and key mechanism
- Preset and tamperproof options available
- Gauges available
- Constant bleed fitting available for even greater accuracy

Operating Specifications

Gauge Ports: two 1/4" NPT (Standard)
Maximum Inlet Pressure: 250 PSIG
Temperature Rating: Aluminum Bonnet: 0-175°F
Weight:
 (116-4000): 1520 g
 (116-5000): 1428 g

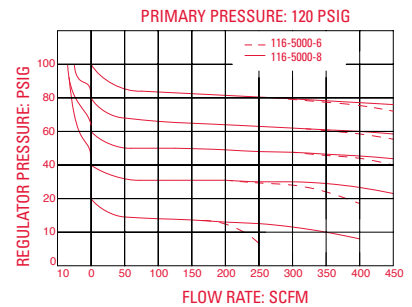
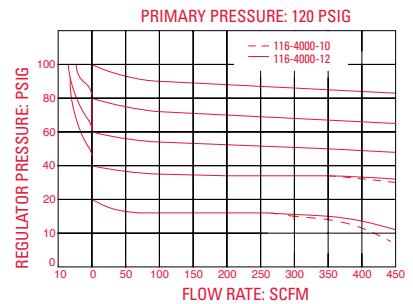
Accessories & Kits

Panel Nuts: (w/ 117 only) 11125
Repair Kit: 14520
Constant Bleed Fitting: 13557

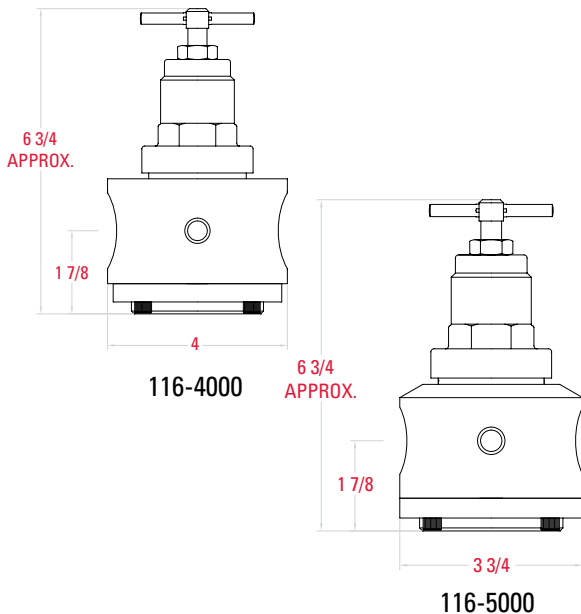
Materials of Construction

Body: Machined Aluminum
Piston Assembly: Machined Aluminum
Compression Spring: Spring Steel
Bonnet: Aluminum
Poppet Seat: Brass **Poppet Valve:** Brass
Adjustment Screw: Zinc Plated Steel
T-Handle: Zinc Plated Steel
Locking Nut: Zinc Plated Steel
Spring Guide: Zinc Plated Steel
Knob: Plastic

Flow Characteristics



Dimensions



Ordering Information

116-5000-6

Thread Options	
Pipe Mounting (unthreaded)	6
Bracket Mounting (threaded)	7

Body Size	
1 1/4", 1 1/2"	4
3/4", 1"	5

Pressure	
10-130 Relieving	00
10-130 Non-Relieving	01
5-60 Relieving	02
5-60 Non-Relieving	03
3-30 Relieving	04
3-30 Non-Relieving	05
20-250 Relieving	06
20-250 Non-Relieving	07

Pipe Size	
3/4"	6
1"	8
1 1/4"	10
1 1/2"	12

OPTIONS

Anodizing	
No Anodizing	Blank
Blue	A1
Black	A2
Clear	A3
Green	A4
Red	A5
Yellow	A6
Gold	A7
Purple	A8
Seals	
Buna-N (Standard)	Blank
Fluorocarbon	V
Attachment Parts	
Gauge	G
Knob	K
Tamperproof	
Tamperproof (Lock & Key)	T
Preset	P
Preset & Tamperproof (Lock & Key)	PT

REGULATORS: Iso-Size Manifold Mount Series



Relieving



Non-Relieving

Features

- Manifold mount regulators sized to ISO specifications
- Available with polycarbonate or aluminum bonnets
- Adapter plates available for mounting regulator to your manifold or sandwich block
- Manifolds available - call factory for details

Operating Specifications

SIZE	1	2	3
Inlet Hole:	3/8"	11/16"	13/16"
Outlet Hole:	(2) 1/4"	(2) 7/16"	(2) 7/16"
Mounting Threads:	10-32 UNF	10-32 UNF	1/4-20 UNF
Maximum Temperature:	175°F	175°F	175°F
Maximum Inlet Pressure:	250 PSI	250 PSI	250 PSI

Accessories & Kits

SIZE	1	2	3
Repair Kit:	11716	11716	11736
Mounting Kits:	11708	11718	11733

Materials of Construction

- Body:** Aluminum
- Bonnet:** Polycarbonate or Aluminum
- Adjusting Screw:** Zinc Plated Steel
- Locking Nut:** Zinc Plated Steel
- Spring Guide:** Zinc Plated Steel
- Poppet Valve Guide:** Brass
- Poppet Valve Spring:** Stainless Steel
- Valve Seat:** Brass
- Seals:** Buna-N (Fluorocarbon available)
- Compression Spring:** Spring Steel
- Piston:** Aluminum

Ordering Information

R 01-10 A

Gauge Ports	
Yes	0
No	1

Body Size	
Size 1	1
Size 2	2
Size 3	3

Pressure	
10-130 Relieving	0
10-130 Non-Relieving	1
5-60 Relieving	2
5-60 Non-Relieving	3
3-30 Relieving	4
3-30 Non-Relieving	5
20-250 Relieving (metal bonnet only)	6
20-250 Non-Relieving (metal bonnet only)	7

Anodizing	
No Anodizing	Blank
Blue	A1
Black	A2
Clear	A3
Green	A4
Red	A5
Yellow	A6
Gold	A7
Purple	A8

Seals	
Buna-N	Blank
Fluorocarbon	V

Attachment Parts	
Knob (Aluminum Bonnet only)	K

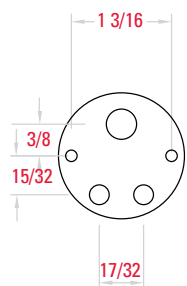
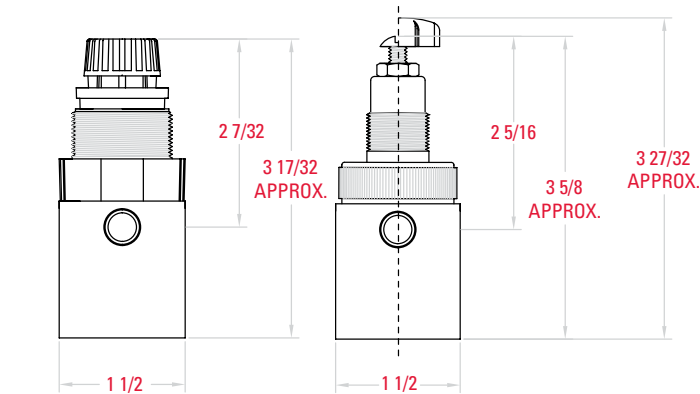
Bonnet	
Aluminum Bonnet	A
Polycarbonate Bonnet (Size 1 & 2 only)	P

REGULATORS: Iso-Size Manifold Mount Series

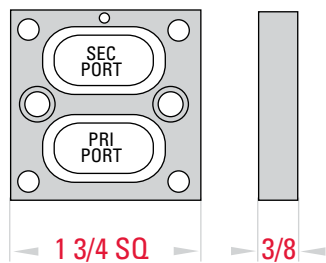
SIZE 1

PLASTIC BONNET

ALUMINUM BONNET



Adaptor Plate Kit

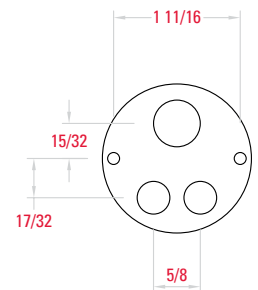
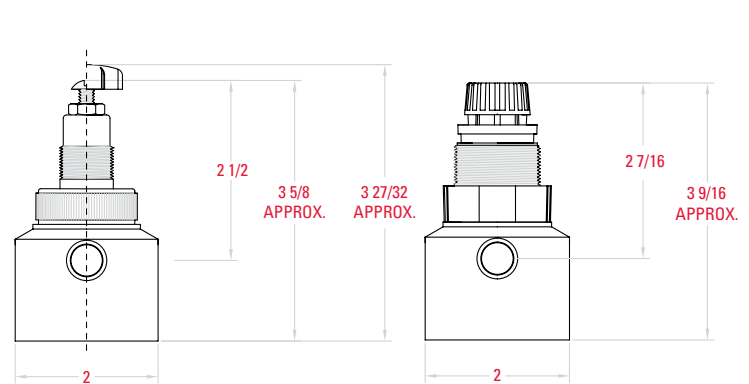


Order Part Number 11708

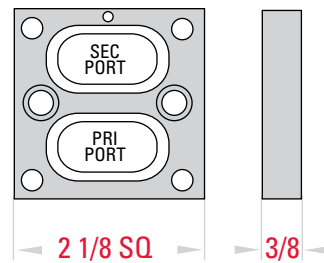
SIZE 2

ALUMINUM BONNET

PLASTIC BONNET



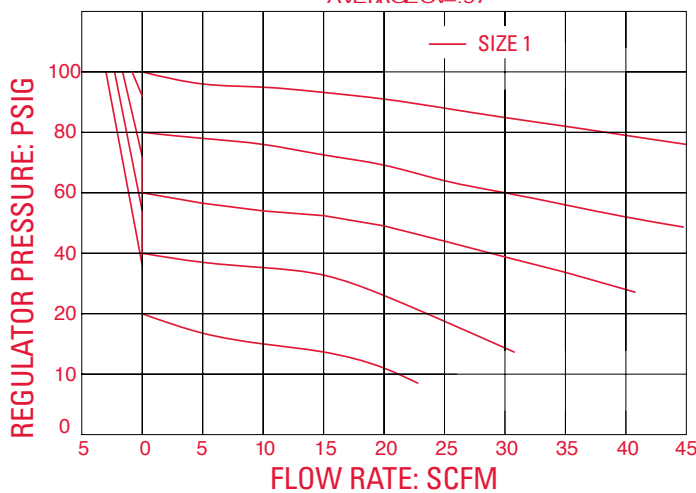
Adaptor Plate Kit



Order Part Number 11718

Flow Characteristics

PRIMARY PRESSURE: 120 PSIG
AVERAGE Cv=0.97

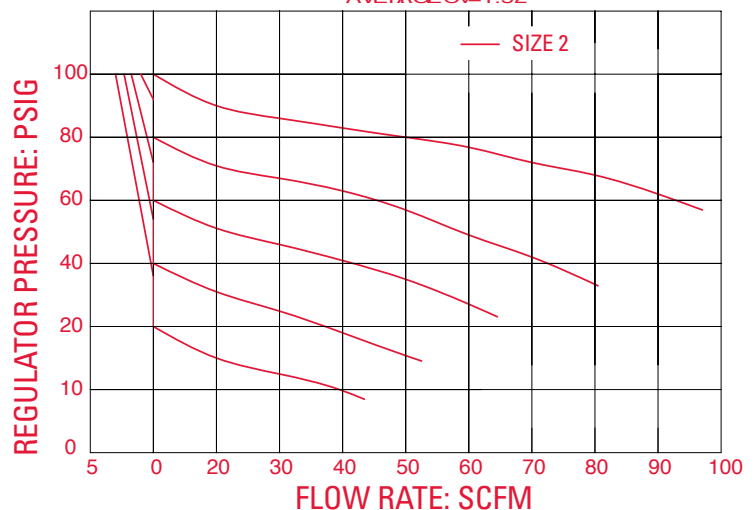


INVERSE PRESSURE EFFECT

For each 25 PSI primary pressure change, the secondary pressure reacts inversely 1 PSI.

Flow Characteristics

PRIMARY PRESSURE: 120 PSIG
AVERAGE Cv=1.52

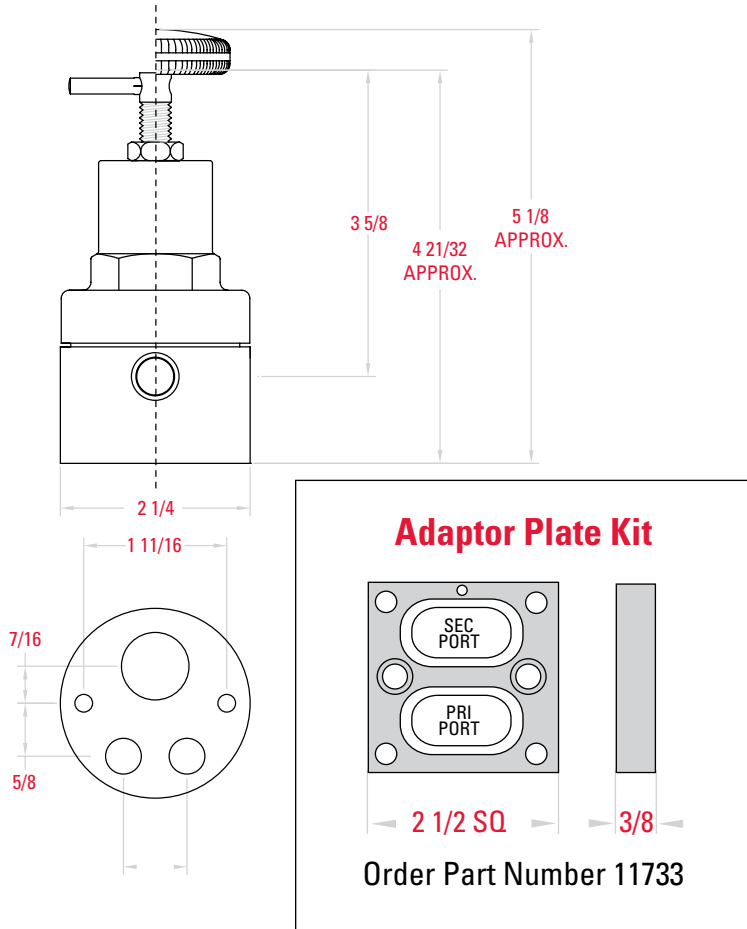


INVERSE PRESSURE EFFECT

For each 50 PSI primary pressure change, the secondary pressure reacts inversely 1 PSI.

SIZE 3

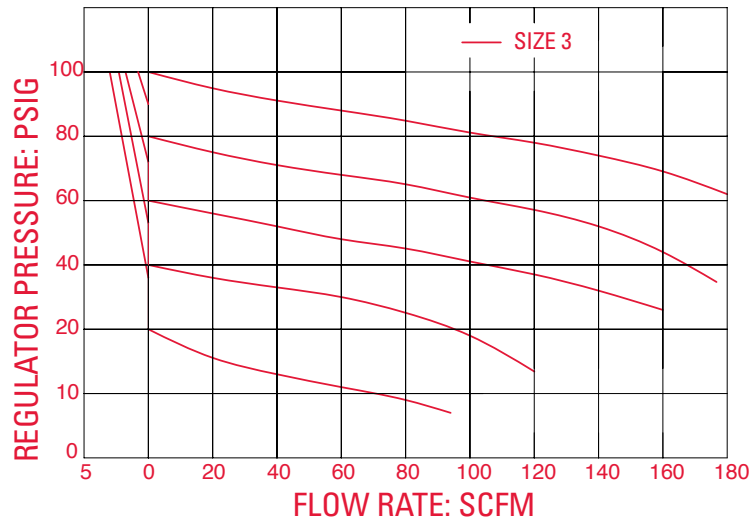
ALUMINUM BONNET



Flow Characteristics

PRIMARY PRESSURE: 120 PSIG

AVERAGE $C_v = 3.61$



INVERSE PRESSURE EFFECT

For each 50 PSI primary pressure change, the secondary pressure reacts inversely 1 PSI.

REGULATORS: 118-3000/1000 Pilot Operated Pressure Series



Features

- Piston over diaphragm actuation for fast response and compact design
- Large flows with negligible pressure drop
- Two 1/4" NPT gauge ports
- 1/4" NPT pilot port

Operating Specifications

Maximum Pressure: 250 PSI
Temperature: 0-175°F
Pilot Port: 1/8" NPT (3000 Series)
 1/4" NPT (1000 Series)
Gauge Port: 1/8" NPT (3000 Series)
 1/4" NPT (1000 Series)

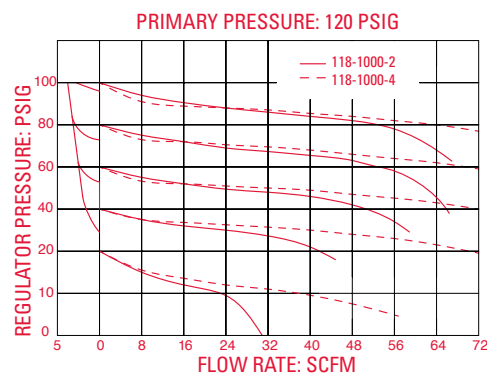
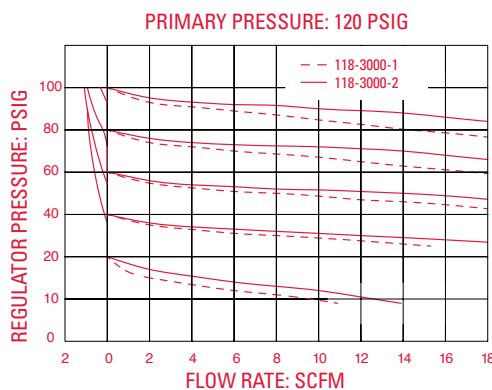
Flow Characteristics

Materials of Construction

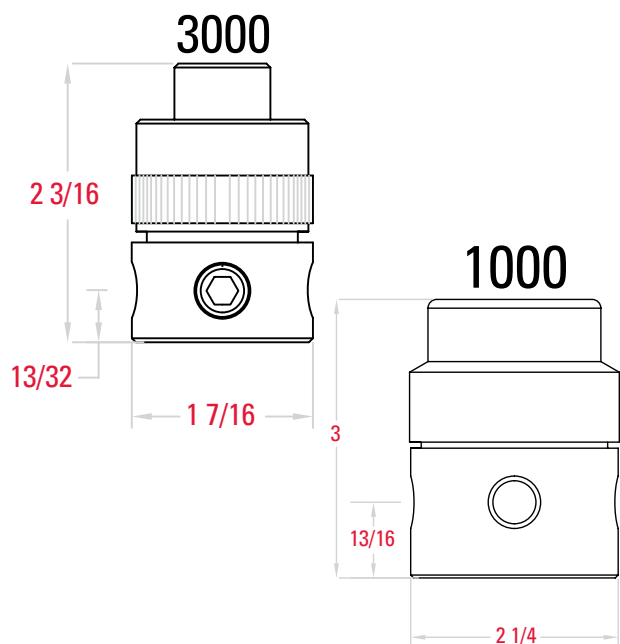
Body: Machined Aluminum
Piston: Machined Aluminum
Air Cap: Machined Aluminum
Poppet:
 3000 Series: Buna-N (Fluorocarbon Available)
 1000 Series: Brass
Poppet Seat:
 3000 Series: Nylon; 1000 Series: Brass
Poppet Seal: Buna-N (Fluorocarbon Available)
Diaphragm: Buna-N (Fluorocarbon Available)

Accessories & Kits

3000 Series Repair Kit:
 13532 (Relieving); 13533(Non-Relieving)
1000 Series Repair Kit:
 Relieving-11536, Non-Relieving-11535
Mounting Nut (3000 Series only): 13025



Dimensions



Ordering Information

118-1000-4

Body Size	
Standard (1/4", 3/8", 1/2")	1
Miniature (1/8", 1/4")	3

Gauge Ports	
Yes	0
No (3000 Only)	1

Pipe Size	
1/8" (3000 Series Only)	1
1/4"	2
3/8"	3
1/2"	4

OPTIONS

Anodizing	
No Anodizing	Blank
Blue	A1
Black	A2
Clear	A3
Green	A4
Red	A5
Yellow	A6
Gold	A7
Purple	A8
Seals	
Buna-N	Blank
Fluorocarbon	V
Attachment Parts	
Gauge	G

REGULATORS: 118-5000/4000 Pilot Operated Pressure Series



Features

- Piston over piston actuation for fast response and compact design
- Large flow with negligible pressure drop

Operating Specifications

Maximum Pressure: 250 PSI
Temperature: 175°F
Pilot Port: 1/4" NPT
Gauge Ports: 1/4" NPT

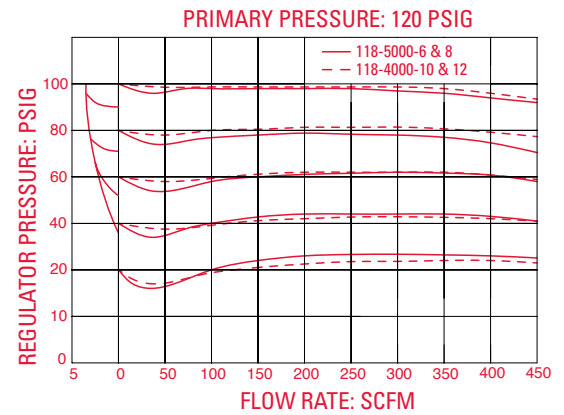
Accessories & Kits

Repair Kit: 14516

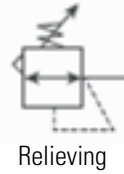
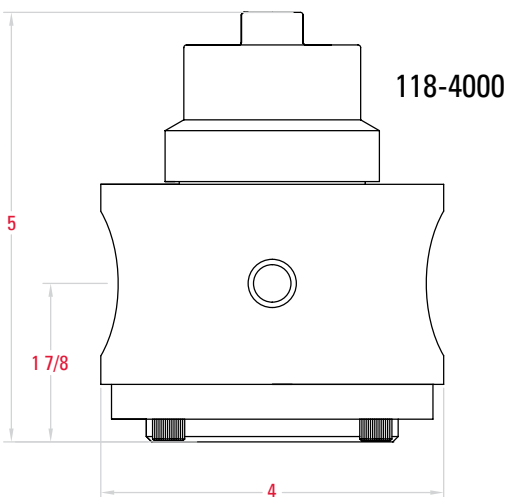
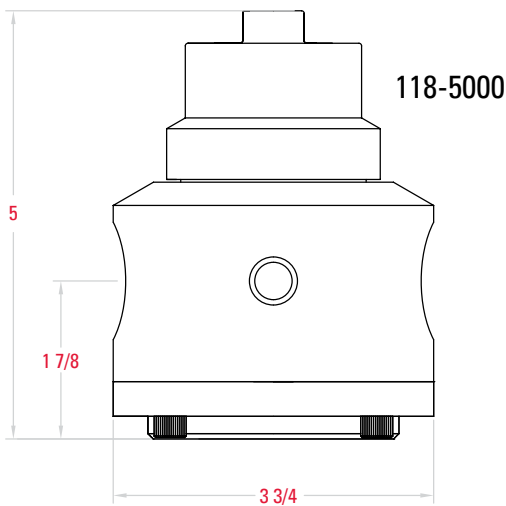
Materials of Construction

Body: Machined Aluminum
Bonnet: Machined Aluminum
Piston: Machined Aluminum
Air Cap: Machined Aluminum
Screws: Zinc Plated Steel
Seals: Buna-N (Fluorocarbon Available)
Poppet Spring: Stainless Steel
Poppet Seat: Brass
Poppet Valve: Brass

Flow Characteristics



Dimensions



Ordering Information

118-4000-6

Series	
5000 (3/4" & 1")	5
4000 (1 1/4" & 1 1/2")	4

Pipe Size	
3/4"	6
1"	8
1 1/4"	10
1 1/2"	12

OPTIONS

Anodizing	
No Anodizing	Blank
Blue	A1
Black	A2
Clear	A3
Green	A4
Red	A5
Yellow	A6
Gold	A7
Purple	A8
Seals	
Buna-N	Blank
Fluorocarbon	V
Attachment Parts	
Gauge	G

REGULATORS: 101-0500 Subminiature Series



Features

- Specifically designed for use with low-volume air flows or for dead-end service
- Ideal where space is at a premium
- True instrumentation quality
- Lightweight compact design
- Excellent repeatability
- Available as pilot operated

Operating Specifications

Maximum Pressure: 250 PSI
Temperature: 0-175°F

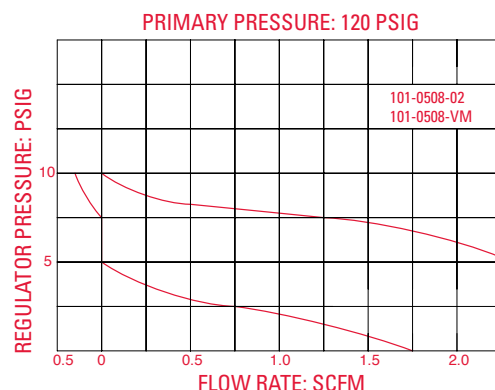
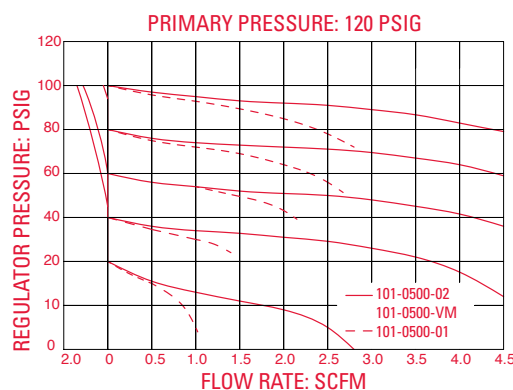
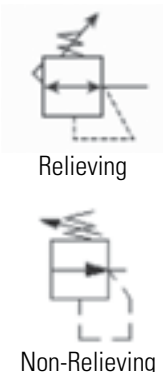
Materials of Construction

Body: Anodized Aluminum
Bonnet: Anodized Aluminum
Spring: Spring Steel
Adjustment Knob & Screw: Plastic and Plated Steel
Stem: Brass
Tube Fittings: Brass
Seals: Buna-N (Fluorocarbon Available)
Panel Nut: Plated Steel
Spring Guide: Zinc Chromate Plated Steel
Poppet Spring: Stainless Steel
Poppet Valve: Buna-N (Fluorocarbon Available)

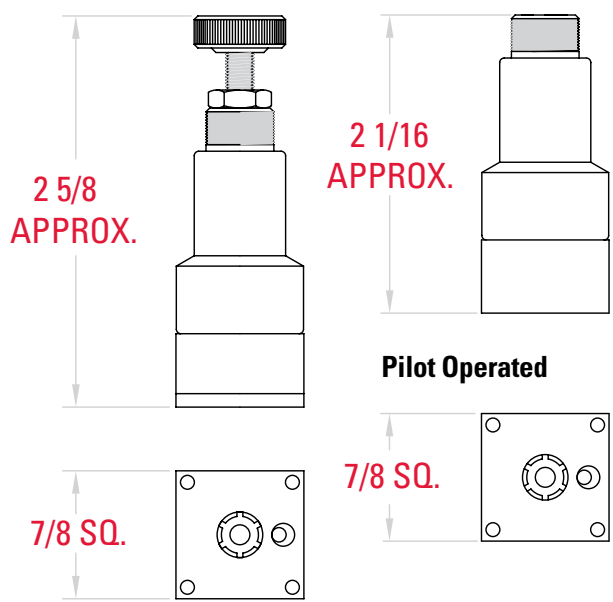
Accessories & Kits

Repair Kit: 10502
Panel Nut: 10015
Gasket Mounting Kit: 10514 (VM option only)

Flow Characteristics



Dimensions



Ordering Information

101-0500-01

Adjustment Style	
Compression Spring (standard)	01
Pilot Operated	18

Pressure Range	
0-100 Relieving	00
0-100 Non-Relieving	01
0-25 Relieving	04
0-25 Non-Relieving	05
1-10 Relieving	08
1-10 Non-Relieving	09

Connection Type	
1/16 ID Tubing Fitting	01
1/8 ID Tubing Fitting	02
Sub-base Mounted	VM

OPTIONS

Anodizing	
No Anodizing	Blank
Blue	A1
Black	A2
Clear	A3
Green	A4
Red	A5
Yellow	A6
Gold	A7
Purple	A8
Seals	
Buna-N	Blank
Fluorocarbon	V
Tamperproof	
Preset	P
Preset & Tamperproof	PT

REGULATORS: UL Label Series



Features

- Monnier UL Label Regulators give the assurance of a UL– listed product
- Available in both miniature and standard sizes
- Excellent for use in dry fire sprinkler systems
- Same features as standard regulators (flow, dimensions, etc.)

Accessories & Kits (104-1000)

Panel Nuts: 11124 (105 & 106)

Repair Kit:

(Relieving) 11513

(Relieving –1006) 11959;

(Non-Relieving) 11515

(Non-Relieving-1007) 11958

Bracket: 11122 (105 & 106); 11543 (104)

Constant Bleed Fitting: (1/4") 13557

Accessories & Kits (111-3000)

Repair Kit:

(Relieving) 13532

(Non-Relieving) 13583

Ordering Information

111-3000-1UL

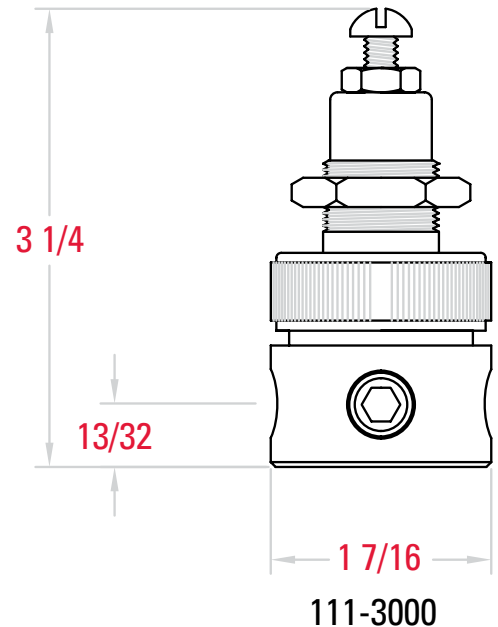
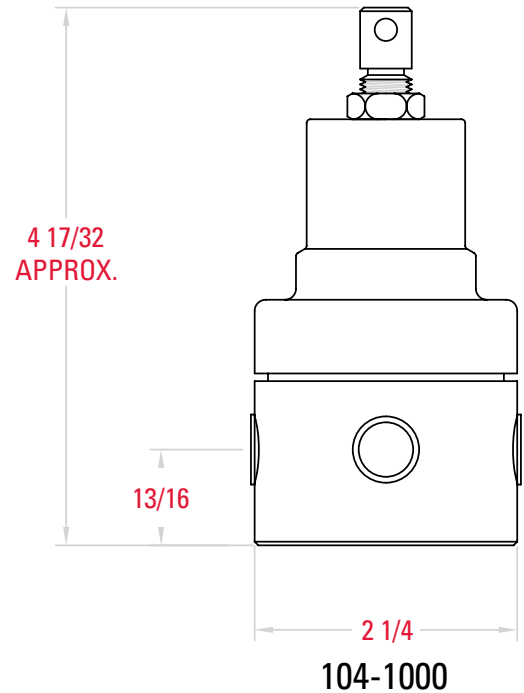
Pressure Range		Options	
10-130 Relieving	00	Adjustment Knob	K
5-60 Relieving	02		

Pipe Size	
1/8"	1
1/4"	2

104-1000-2UL

Pressure Range		Pipe Size	
10-130 Relieving	0	1/4"	2
5-60 Relieving	2	3/8"	3
		1/2"	4

Dimensions



REGULATORS: 104-3101 Relief Valves



Features

- Available in 1/8" through 1/4" NPT
- Prevent over pressurization of downstream components

Operating Specifications

Gauge Ports: 1/8" NPT
Maximum Inlet Pressure: 250 PSIG
Temperature Range: 0-175°F

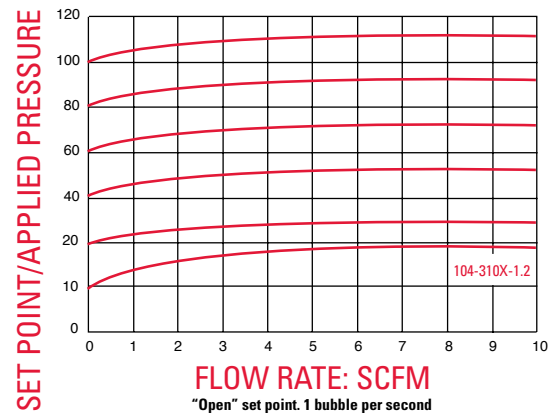
Accessories & Kits

Panel Nuts:
 13133 (104-3100 Series)
 13025 (114/106-3100 Series)
Bracket Kits:
 13536 (104-3100 Series)
 13534 (114/106-3100 Series)
Service Kits:
 13532 (Relieving)

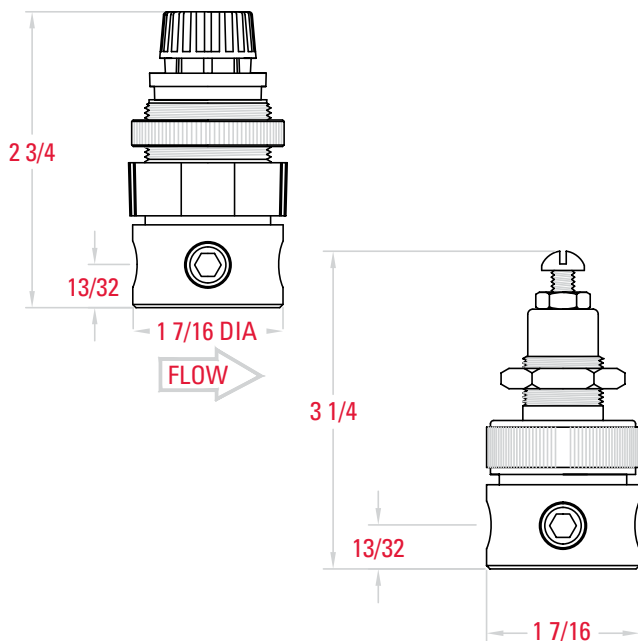
Materials of Construction

Body, Seat: Machined Aluminum
Bonnet:
 104-3100: Polycarbonate
 114/106-3100: Aluminum
Adjustment Screw:
 101-3000: Black Oxide Coated Steel
 111/102-3000: Zinc Plated Steel (102 series)
Diaphragm: Brass, Buna-N (Fluorocarbon available)
Seals: Buna-N (Fluorocarbon available)
Bracket: Zinc Plated Steel
Panel Nut: Machined Aluminum

Flow Characteristics



Dimensions



Ordering Information

104-3101-2

		OPTIONS	
		Anodizing	
		No Anodizing	Blank
		Blue	A1
		Black	A2
		Clear	A3
		Green	A4
		Red	A5
		Yellow	A6
		Gold	A7
		Purple	A8
		Seals	
		Buna-N (standard)	Blank
		Fluorocarbon	V
		Pipe Size	
		1/8"	1
		1/4"	2
Bonnet			
Plastic Bonnet	04		
Aluminum Bonnet (Panel Mounting)	06		
Aluminum Bonnet (Pipe Mounting)	14		
Gauge Ports			
Yes	0		
No	1		
Pressure Range			
10-130	1		
5-60	3		
3-30	5		
20-250	7		
1-10	9		