

PARTS CATALOG
FOR
REMINGTON PORTABLE
TYPEWRITER

MODELS AN, QR and ER

(REVISED MAY, 1953)



Remington Rand

DIVISION OF SPERRY RAND CORPORATION

315 FOURTH AVENUE

NEW YORK, N. Y.

PARTS CATALOG
FOR
REMINGTON PORTABLE
TYPEWRITER

MODELS , AN, QR and ER

(REVISED MAY, 1953)



Remington Rand

Maintenance Dept.

NEW YORK, N. Y.

REMINGTON PORTABLE TYPEWRITER
MODELS , AN, QR AND ER

FOREWORD

THIS CATALOG ILLUSTRATES AND LISTS MAIL ORDER PARTS FOR THE REMINGTON PORTABLE TYPEWRITER MODELS AN, QR AND ER WHICH SUPERSEDES THE PARTS CATALOG ISSUED IN 1949.

A NUMERICAL PRICE LIST OF PARTS, FORM NO. PL-92 IS FURNISHED APART FROM THIS CATALOG WHICH CONTAINS PART NUMBERS AND LIST PRICES OF PARTS APPEARING IN THIS CATALOG.

IF, FOR ANY REASON, A PART REQUIRED CANNOT BE FOUND IN THIS CATALOG OR IF DOUBT EXISTS AS TO THE CORRECT PART, PLEASE SEND A SAMPLE PART OR A REASONABLE DRAWING OF THE PART ALONG WITH YOUR ORDER WHENEVER POSSIBLE. IN MANY CASES IT IS A GREAT HELP TO THE FACTORY IF THE MACHINE SERIAL NUMBER IS GIVEN.

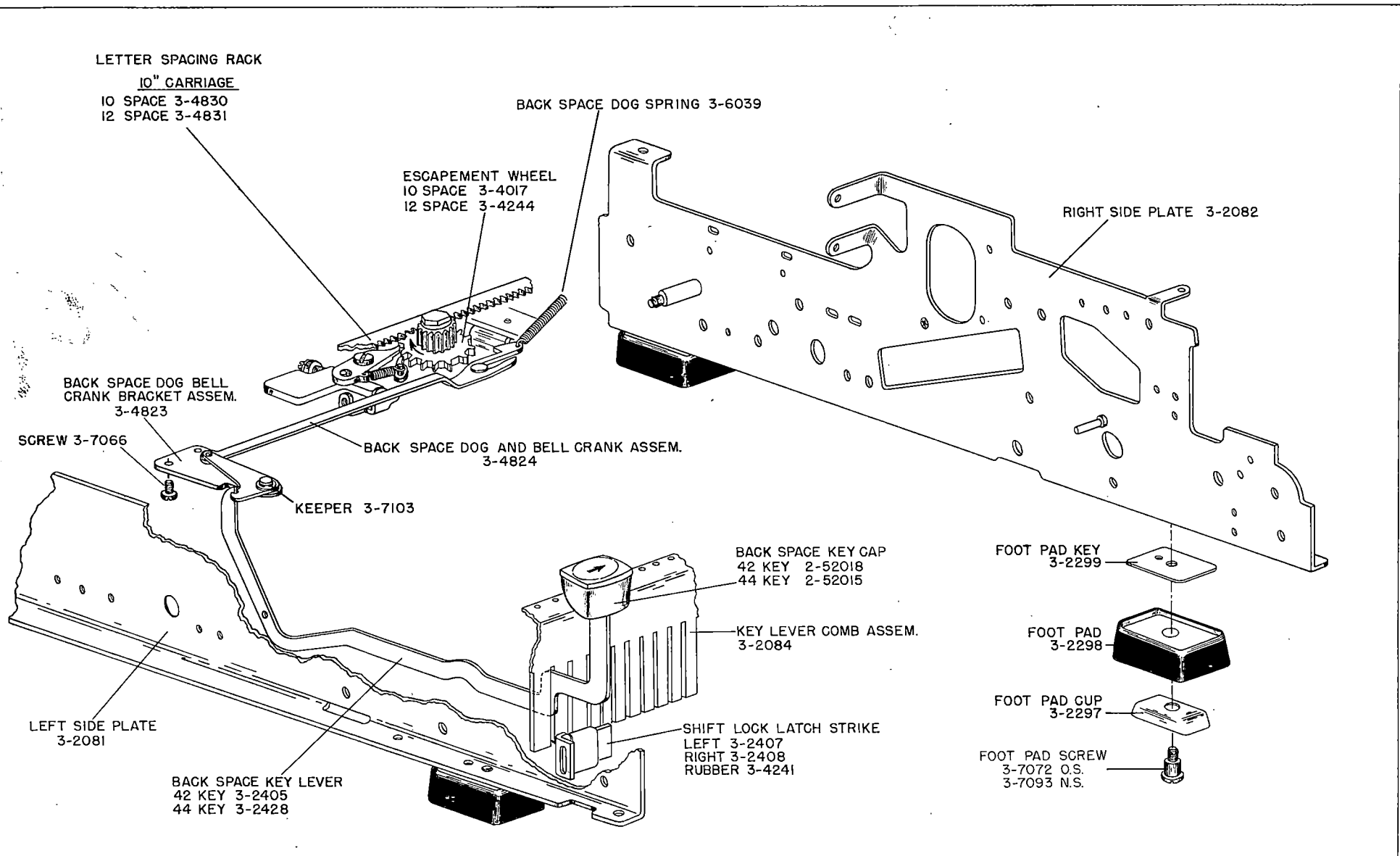
- - - - 0 - - - -

THE COMPANY SHALL NOT BE LIABLE FOR ANY DEFAULT OF DELAY CAUSED BY ANY CONTINGENCIES BEYOND ITS CONTROL PREVENTING OR INTERFERING WITH DELIVERIES, INCLUDING WAR, RESTRAINTS AFFECTING SHIPPING, OR STRIKE, LOCKOUT, ACCIDENT, NON-ARRIVAL OR DELAY OF STEAMER OR CARRIER, OR REDUCED SUPPLY OF RAW MATERIAL OR EXCESSIVE COSTS THEREOF, OR ANY OTHER CONTINGENCIES BEYOND ITS CONTROL.

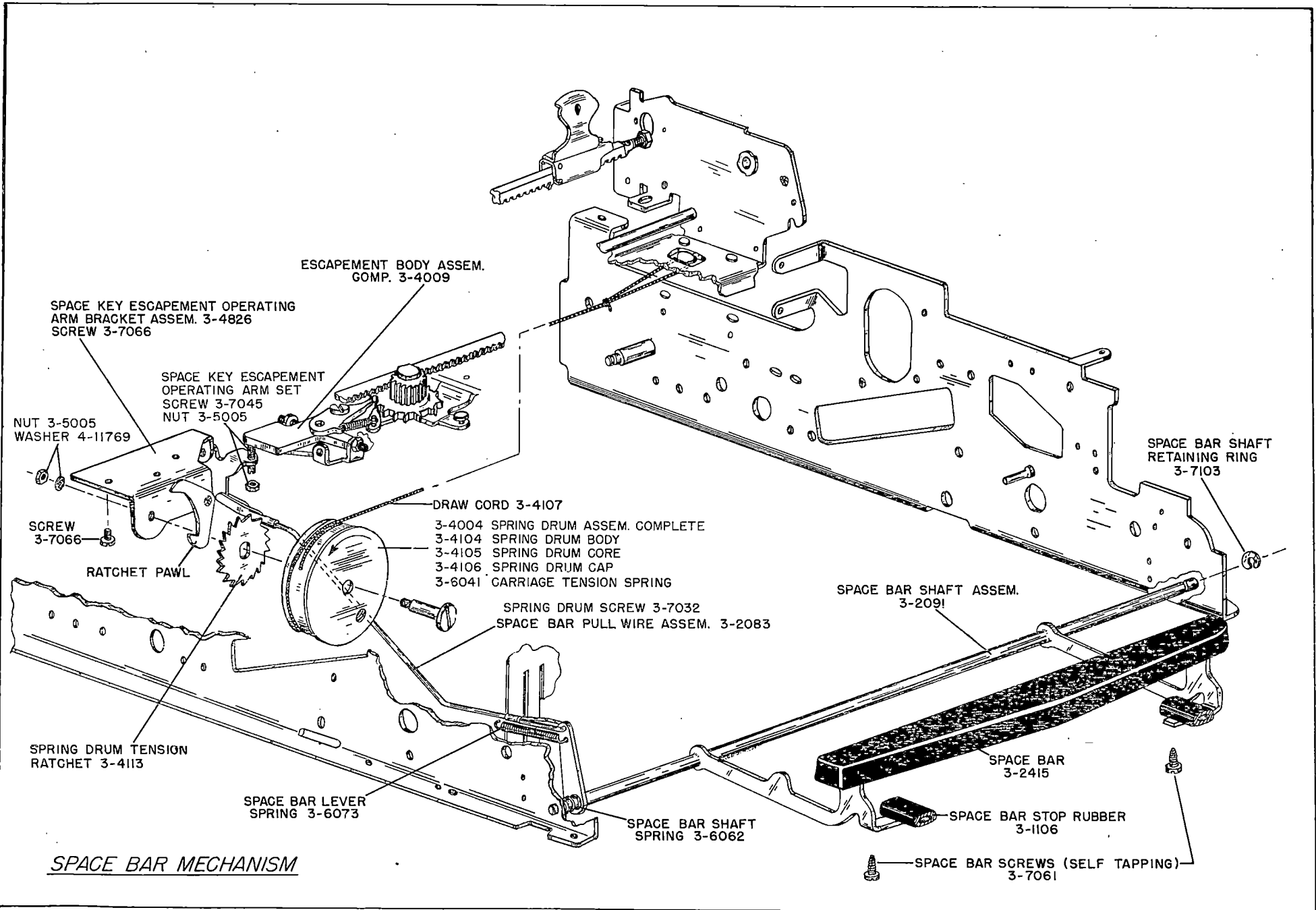
REMINGTON PORTABLE TYPEWRITER
MODELS AN, QR AND ER

INDEX TO ILLUSTRATIONS

<u>SUBJECT</u>	<u>PAGE</u>
ALIGNING SCALE	13
BACK SPACE MECHANISM	6
BELL MECHANISM	12
CARRIAGE ASSEMBLY	13
CARRIAGE COVERS (PANELS)	5
CARRYING CASE	16
DRUG LABEL PLATEN	17
ESCAPEMENT	9
FEED ROLLS	13
FOOT EQUIPMENT	6
KEY LEVERS	11
LINE SPACE MECHANISM	14
MACHINE COVERS (PANELS)	5
MARGIN RELEASE MECHANISM	12
PAPER SCALE	13
PAPER TABLE	5
PAPER TROUGH	13
PLATEN	14
RIBBON COVER MECHANISM	11
RIBBON DRIVE MECHANISM	10
SHIFT MECHANISM	8
SIDE PLATES	6
SPACE BAR MECHANISM	7
SPRING DRUM MECHANISM	7
TABULATOR MECHANISM	15
TYPE AND TYPE BARS	9
TYPE BAR BELL CRANKS	11
TYPE GUIDE	9
UNIVERSAL BAR	9

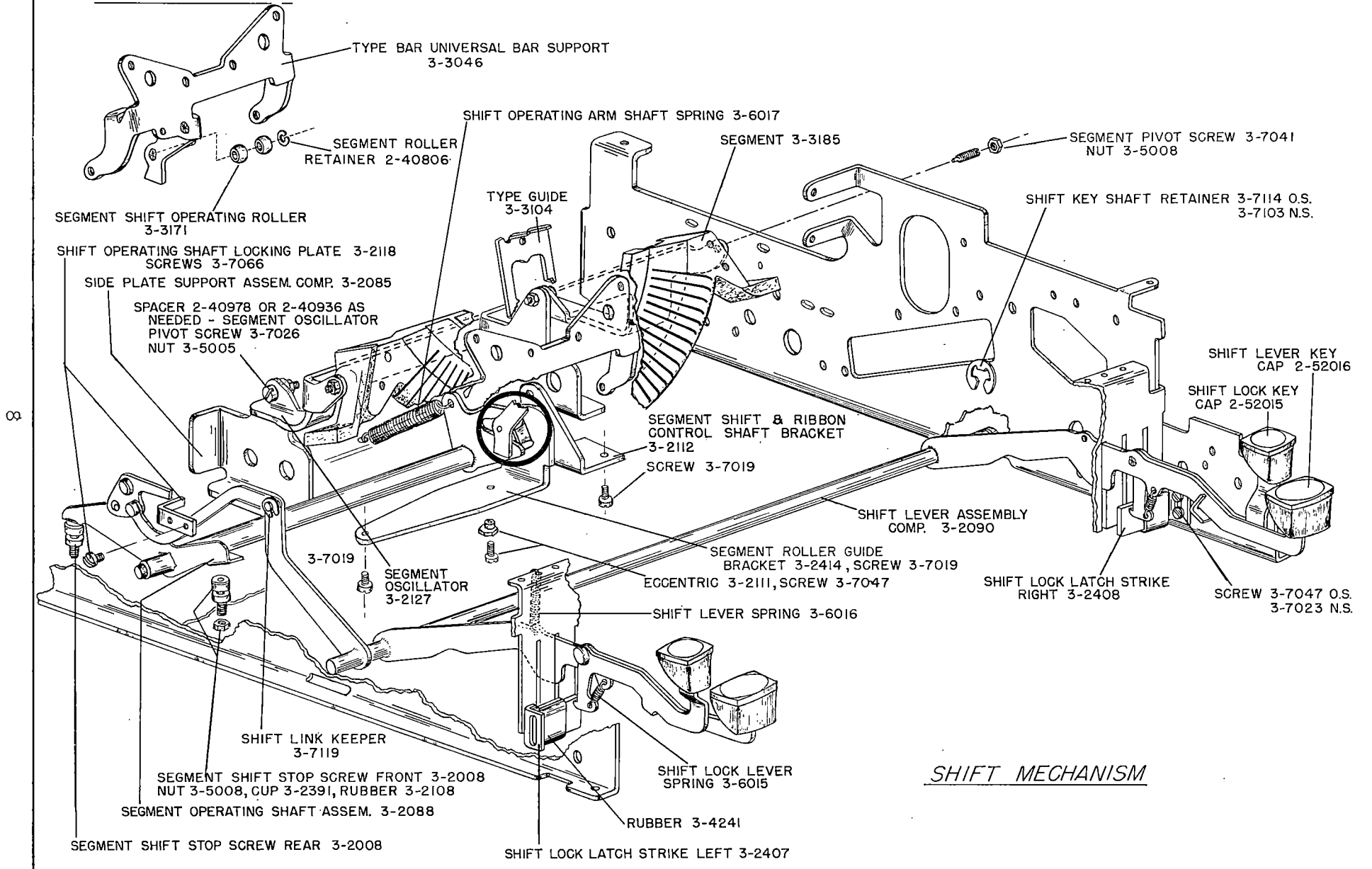


BACK SPACE MECHANISM

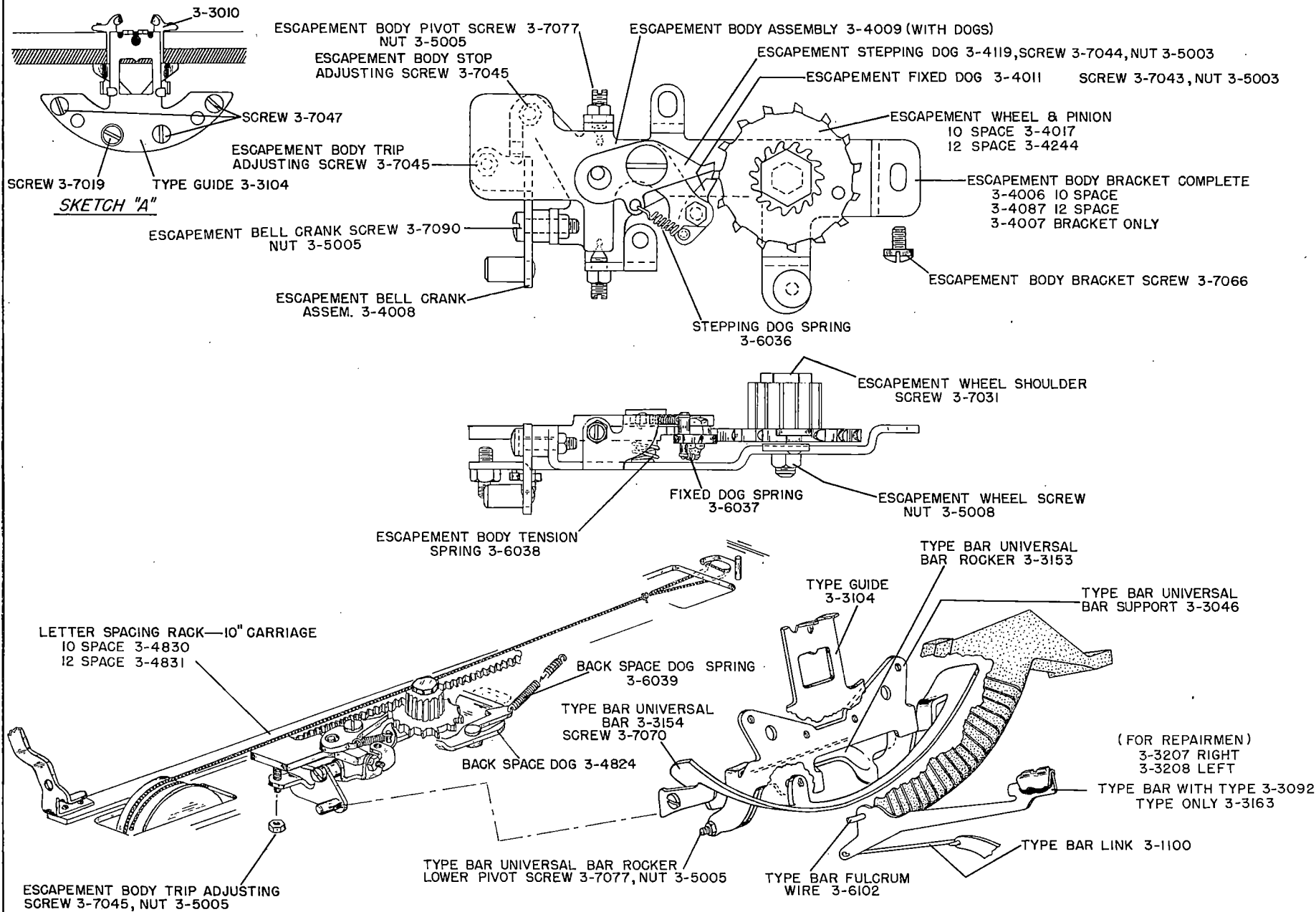


SPACE BAR MECHANISM

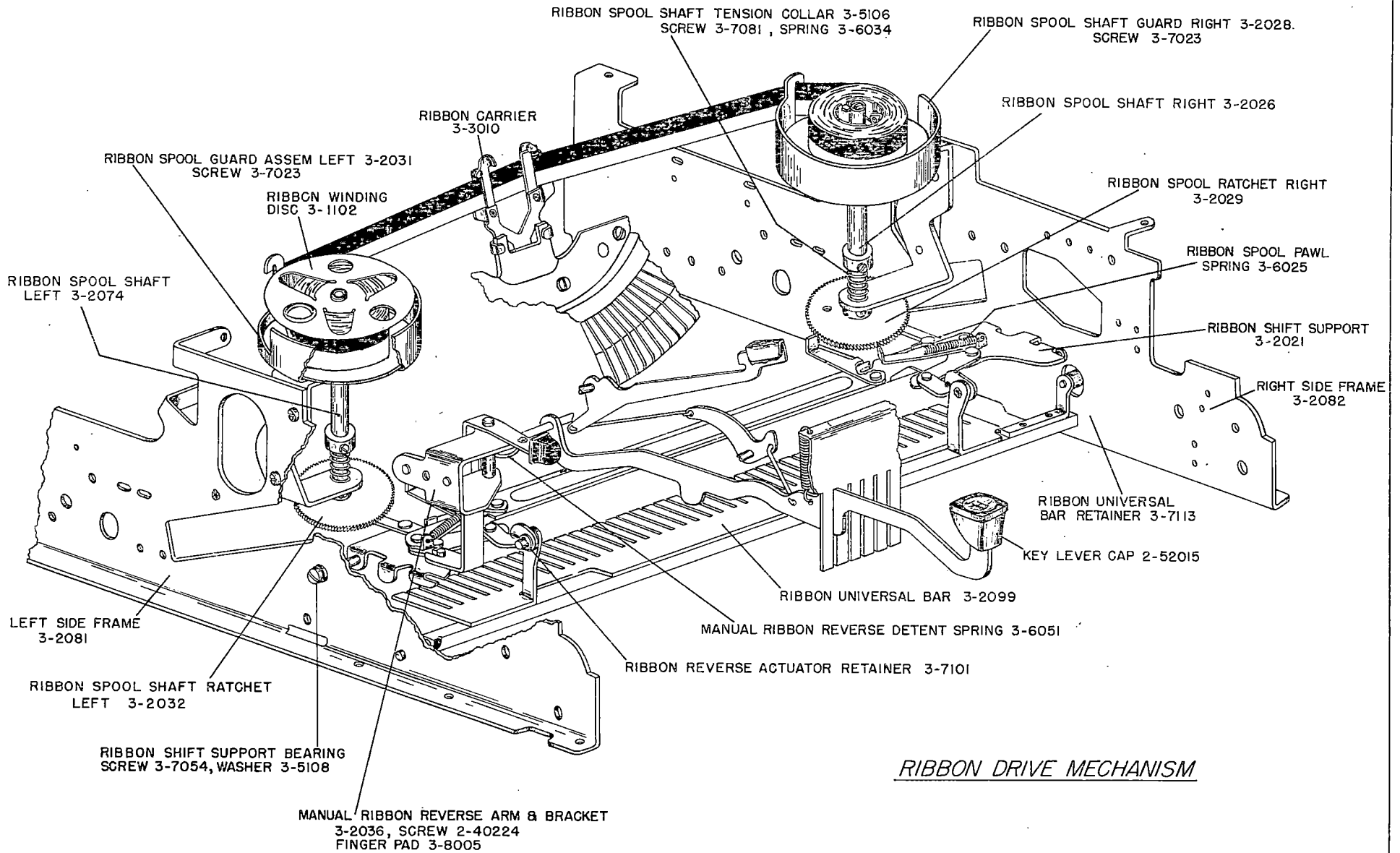
EXPLODED VIEW OF INSET

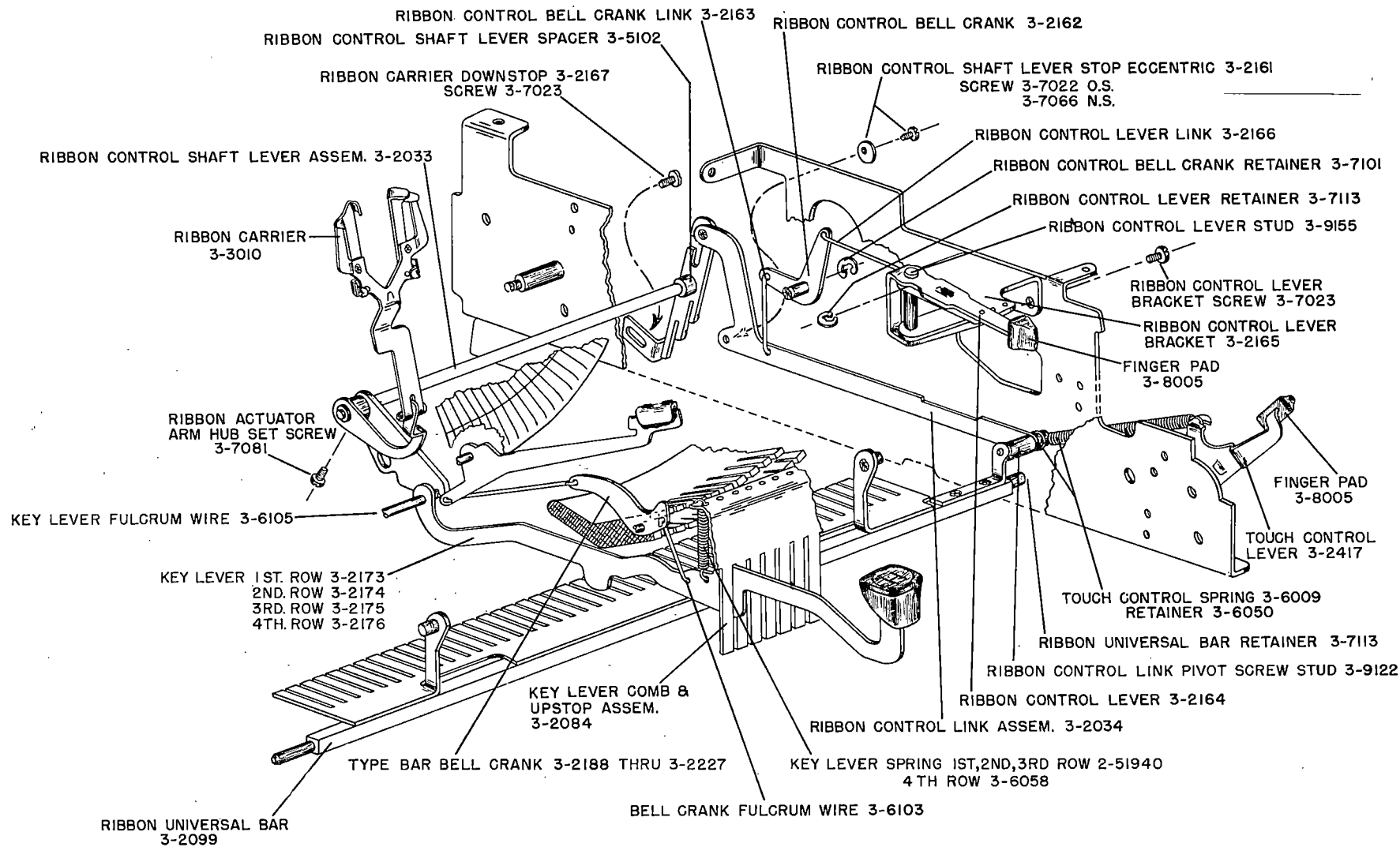


SHIFT MECHANISM

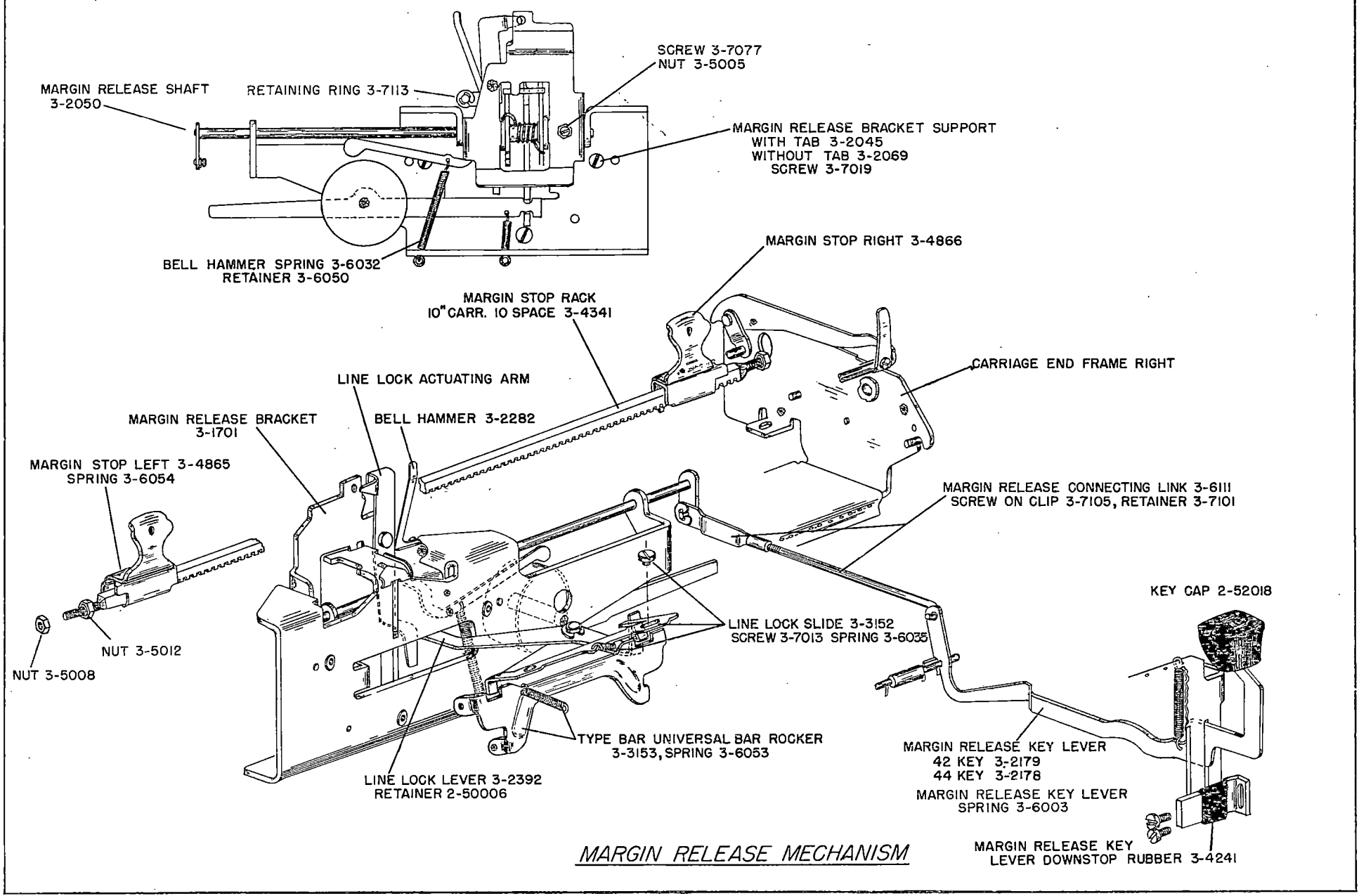


ESCAPEMENT & UNIVERSAL BAR

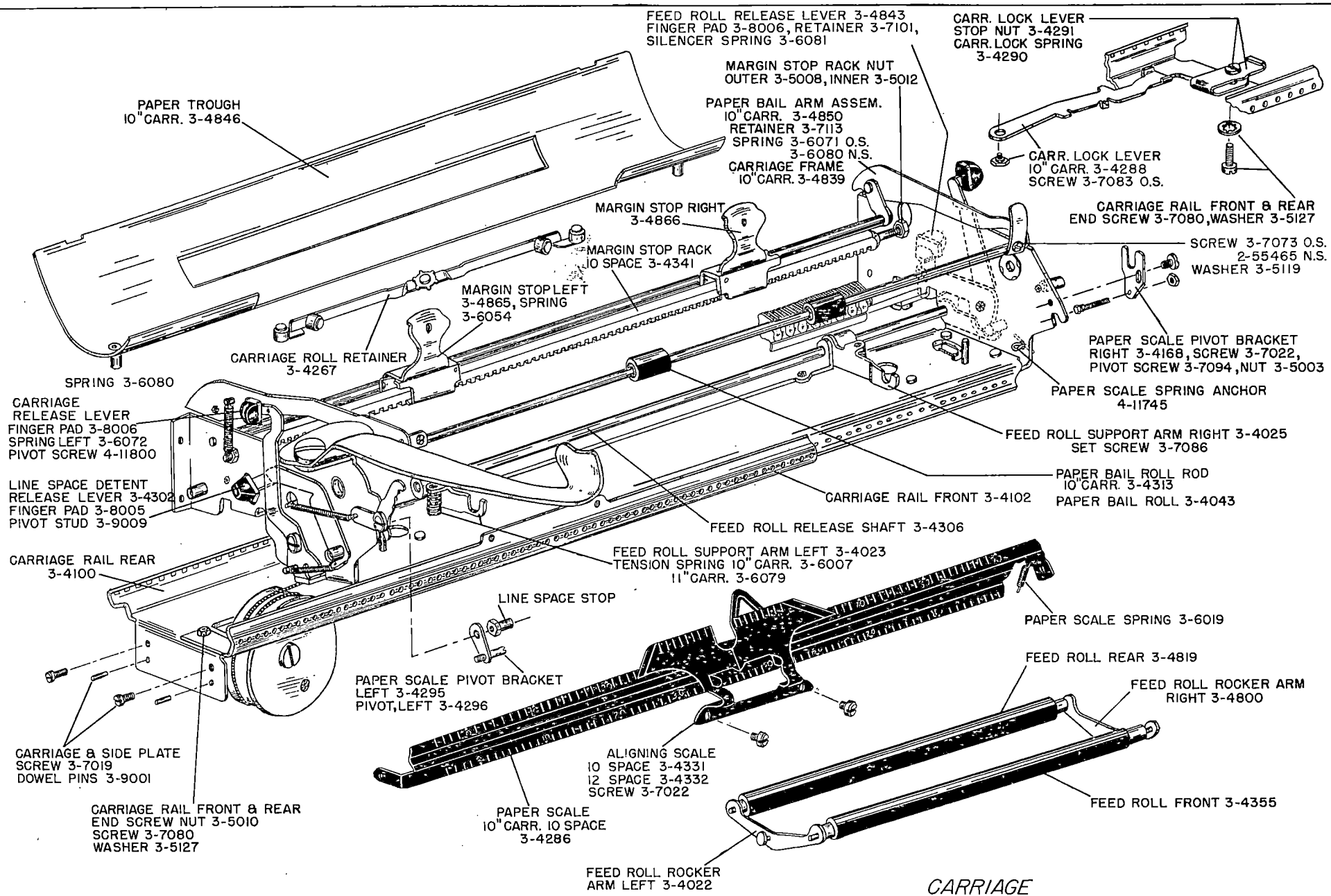


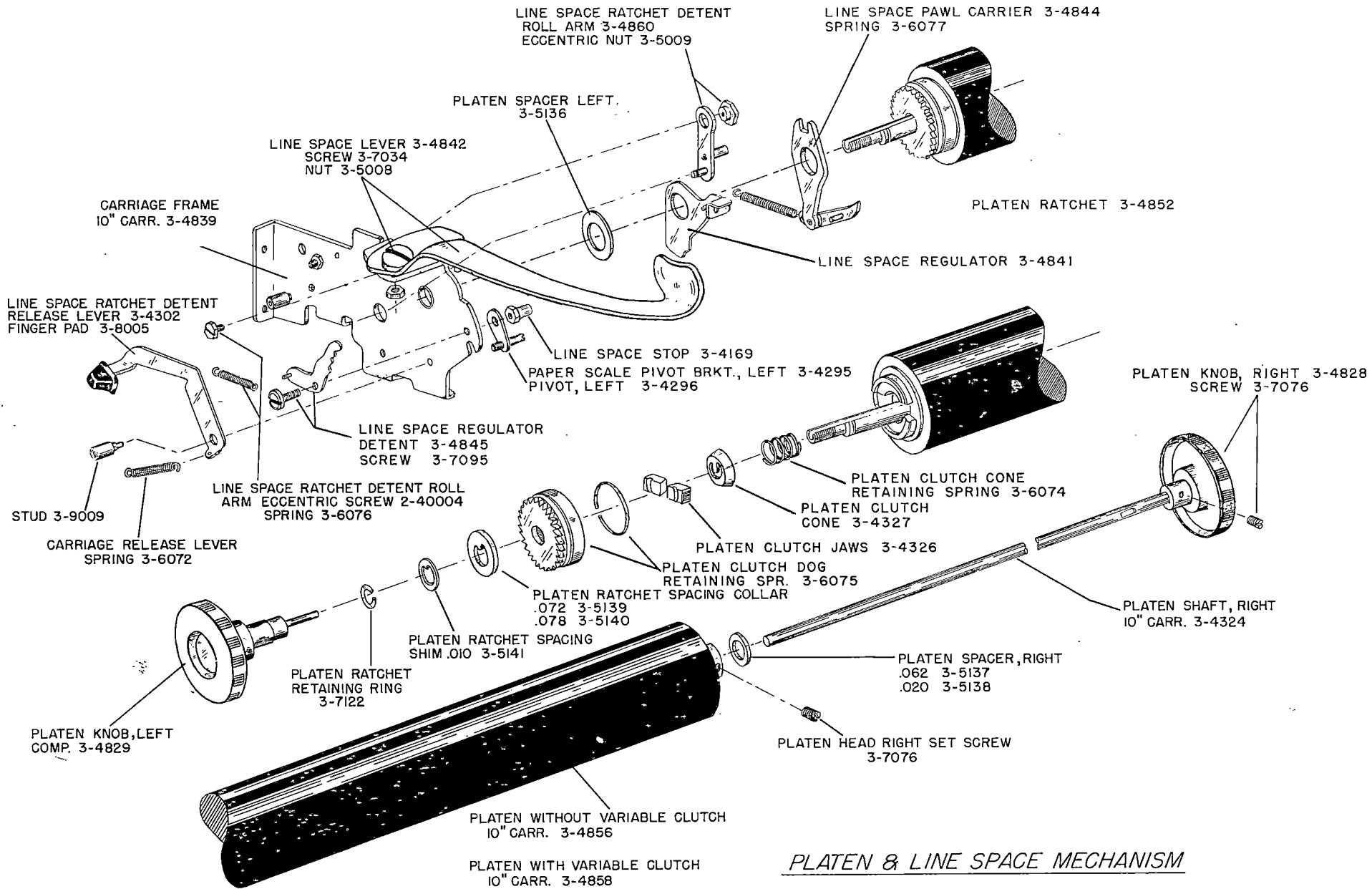


RIBBON COVER MECHANISM

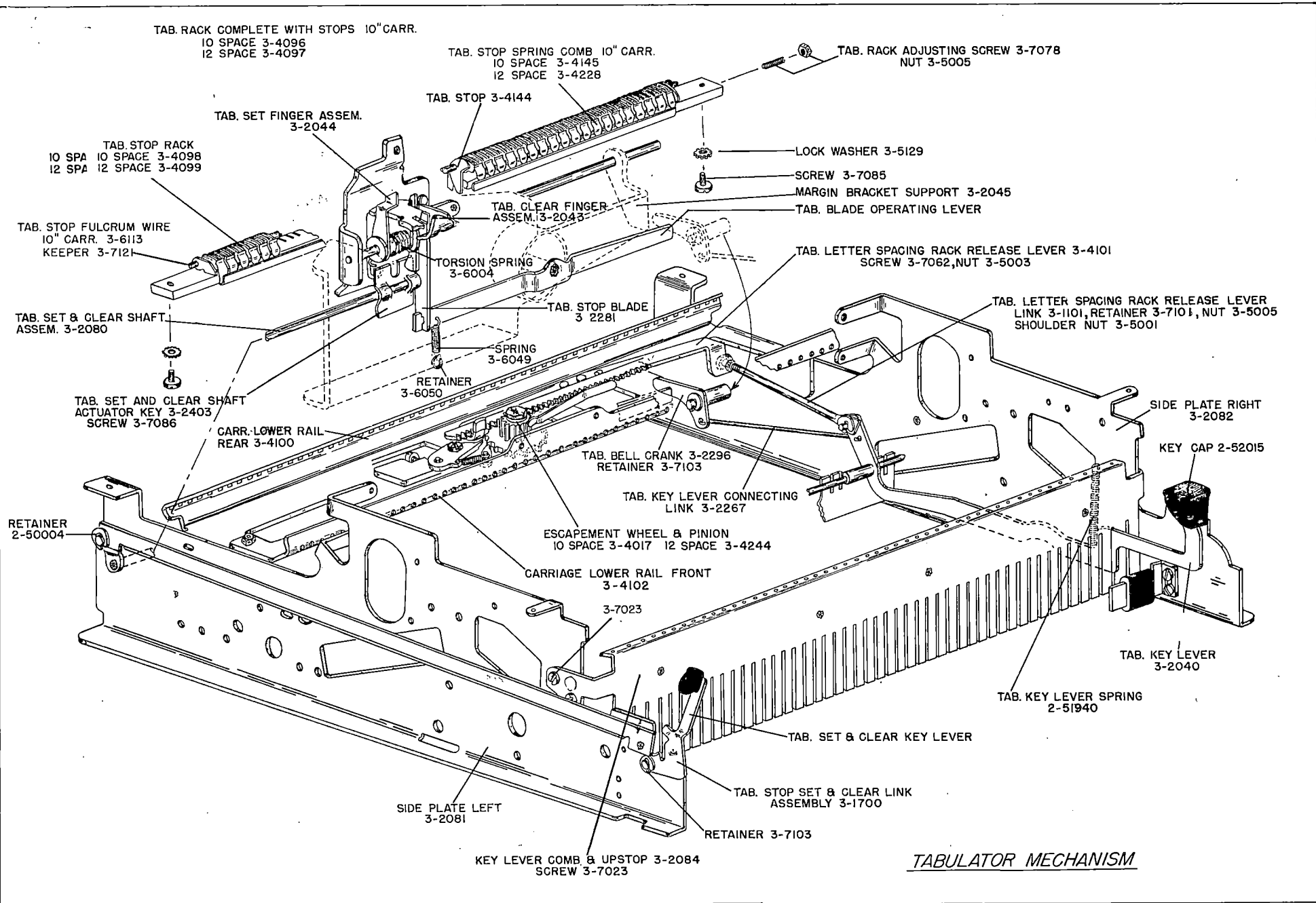


MARGIN RELEASE MECHANISM

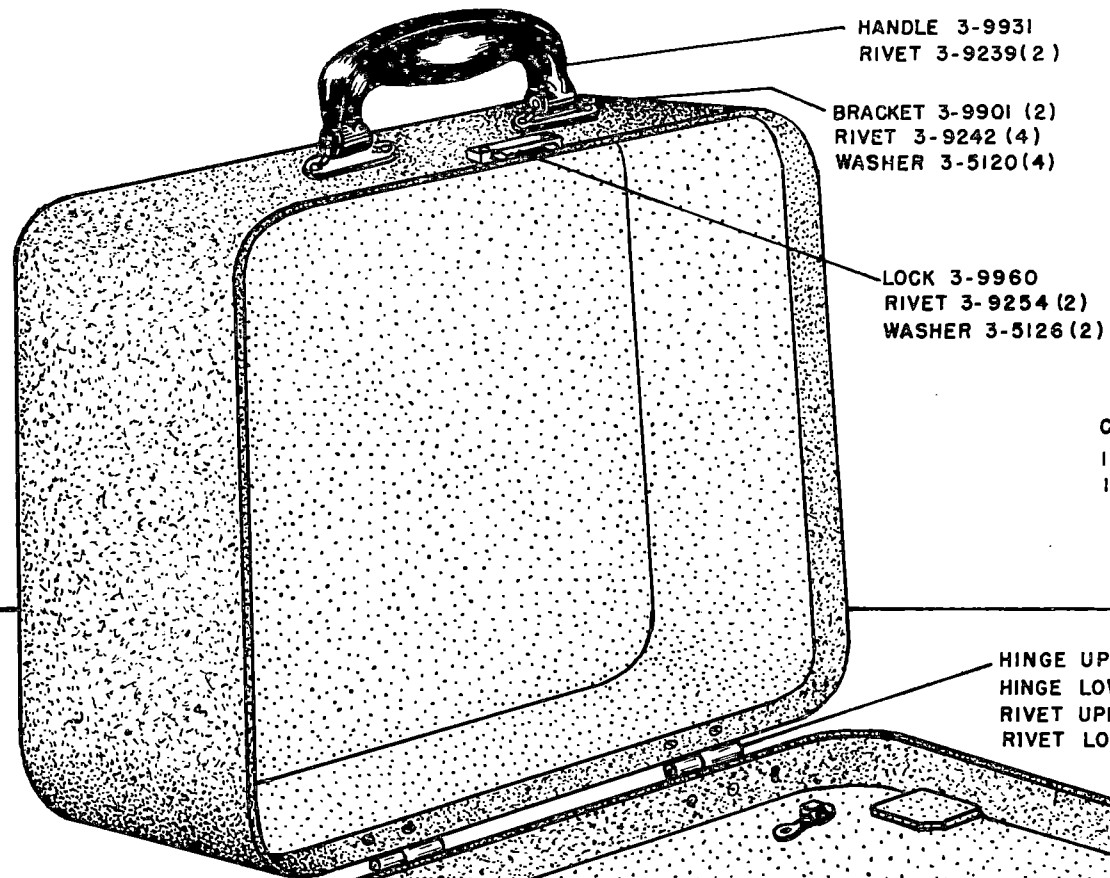




PLATEN & LINE SPACE MECHANISM



TABULATOR MECHANISM



CARRYING CASE ASSEM. COMPLETE
10" CARR. 3-9859
11" CARR. 3-9856

MACHINE LOCK 3-9980 (2)
RIVET 3-9242 (4)

MACHINE LOCK LEFT

BRACKET 3-9945
RIVET 3-9242
LATCH 3-9947
SPRING 3-6067
PIN 3-9194, KEEPER 3-7101

HINGE UPPER 3-9958 (2)
HINGE LOWER 3-9957 (2)
RIVET UPPER 3-9240 (4)
RIVET LOWER 3-9242 (4)

MACHINE LOCK RIGHT

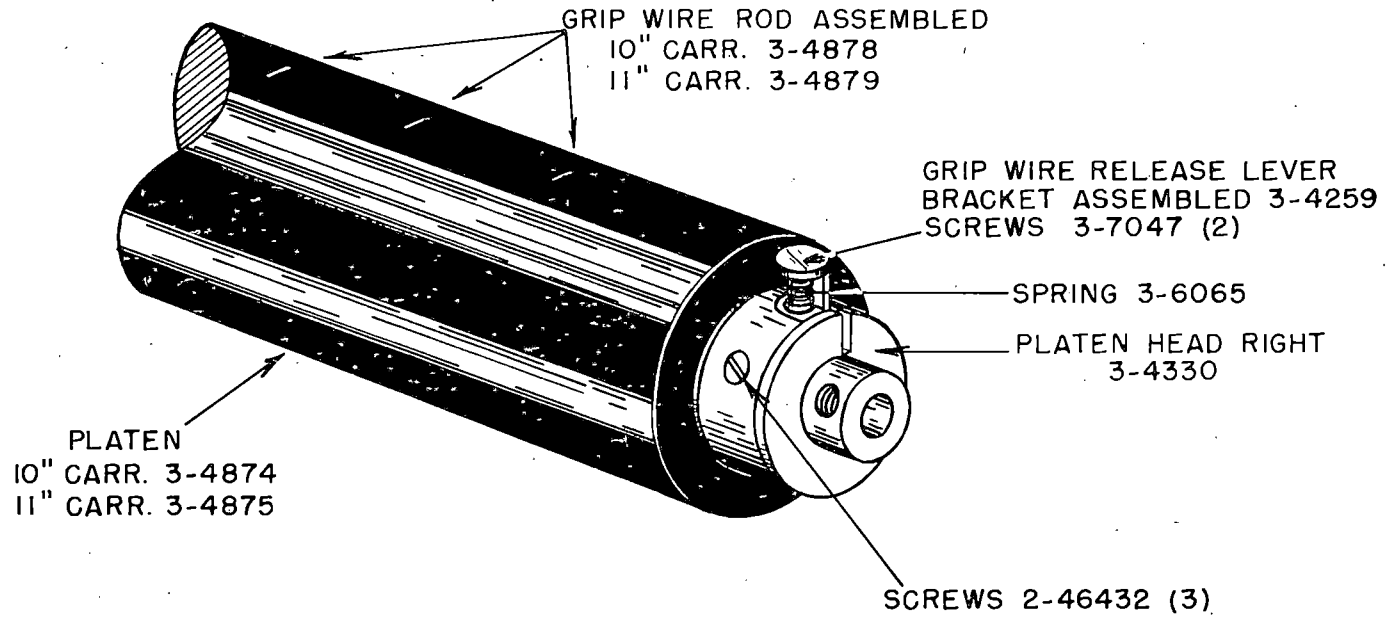
BRACKET 3-9944
RIVET 3-9242 (3)
LATCH 3-9946
SPRING 3-6066
PIN 3-9194
KEEPER 3-7101

RIVET 3-9243 (2)
WASHER 3-5126 (2)

3-9961

CARRYING CASE

FOOT 3-9968 (4)



DRUG LABEL PLATEN

PLATEN COMPLETE 10" CARR. 3-4872
PLATEN COMPLETE 11" CARR. 3-4873

REMINGTON PORTABLE TYPEWRITER
MODELS AN, QR AND ER

PART NO.	DESCRIPTION	CABINET LOCATION
3-1012	PAPER TABLE ASSEM. WITH PAPER SIDE GUIDE - 12 SPACE TAB. MACH. (O.S. SUP. BY 3-1076 & 3-1085)	
3-1050	SPACE BAR PULL WIRE ASSEMBLED (O.S. - SUP. BY 3-2083)	
3-1052	TOP COVER HINGE BRACKET ASSEMBLED, LEFT (O.S. - SUP. BY 3-1164)	
3-1053	TOP COVER HINGE BRACKET ASSEMBLED, RIGHT (O.S. - SUP. BY 3-1164)	
3-1056	PAPER TABLE ASSEM. WITH PAPER SIDE GUIDE - 10 SPACE TAB. MACH. (O.S. SUP. BY 3-1075 & 3-1084)	
3-1059	FRONT RAIL ASSEMBLED - MACHINE WITH TABULATOR (O.S. - SUP. BY 3-1081)	
3-1060	TOP COVER ASSEMBLED - MACHINE WITHOUT TABULATOR (O.S. - SUP. BY 3-1077)	
3-1070	FRONT RAIL ASSEMBLED - MACHINE WITHOUT TABULATOR (O.S. - SUP. BY 3-1082)	
3-1071	TOP COVER ASSEMBLED - MACHINE WITH TABULATOR (O.S. - SUP. BY 3-1087 & 3-1088)	
3-1072	FRONT COVER ASSEMBLED - FOR FRANCE AND FRENCH COLONIES (O.S. - SUP. BY 3-1180)	
3-1073	REAR COVER ASSEMBLED	
3-1074	CARRIAGE REAR COVER ASSEMBLED - 10" CARRIAGE - MACHINE WITH TABULATOR	
3-1075	PAPER TABLE ASSEMBLED - 10" CARRIAGE - 10 SPACE	
3-1076	PAPER TABLE ASSEMBLED - 10" CARRIAGE - 12 SPACE	
3-1077	TOP COVER ASSEMBLED - 10" CARRIAGE - MACHINE WITHOUT TABULATOR	
3-1079	SIDE COVER, LEFT, ASSEMBLED	
3-1090	SIDE COVER, RIGHT, ASSEMBLED	
3-1081	FRONT RAIL ASSEMBLED - MACHINE WITH TABULATOR	
3-1082	FRONT RAIL ASSEMBLED - MACHINE WITHOUT TABULATOR	
3-1083	CARRIAGE REAR COVER ASSEMBLED - 11" CARRIAGE - MACHINE WITH TABULATOR	
3-1084	PAPER TABLE ASSEMBLED - 11" CARRIAGE - 10 SPACE	
3-1085	PAPER TABLE ASSEMBLED - 11" CARRIAGE - 12 SPACE	
3-1086	CARRIAGE REAR COVER ASSEMBLED - 10" CARRIAGE - MACHINE WITHOUT TABULATOR	
3-1087	TOP COVER ASSEMBLED (QUIET-RITER) 10" CARRIAGE - MACHINE WITH TABULATOR	
3-1088	TOP COVER ASSEMBLED (OFFICE-RITER) 11" CARRIAGE - MACHINE WITH TABULATOR	
3-1100	TYPE BAR LINK	
3-1101	TABULATOR LETTER SPACING RACK RELEASE LINK	
3-1102	RIBBON WINDING DISC	
3-1103	SIDE COVER, RIGHT, ASSEMBLED (O.S. - SUP. BY 3-1080)	
3-1104	SIDE COVER, LEFT, ASSEMBLED (O.S. - SUP. BY 3-1079)	
3-1106	SPACE BAR STOP	
3-1107	REAR COVER ASSEMBLED (O.S. - SUP. BY 3-1073)	
3-1108	FRONT COVER ASSEMBLED (O.S. - SUP. BY 3-1175)	
3-1115	CARRIAGE REAR COVER ASSEMBLED (O.S. - SUP. BY 3-1074, 3-1083 & 3-1086)	
3-1120	PAPER SIDE GUIDE (O.S. - SUP. BY 3-1169)	
3-1121	CARRIAGE END COVER, RIGHT (O.S. - SUP. BY 3-1177)	
3-1122	CARRIAGE END COVER, LEFT (O.S. - SUP. BY 3-1176)	
3-1137	TOP COVER NAME PLATE	
3-1138	CARRIAGE END COVER, LEFT - 56 TOOTH (SPECIAL EQUIPMENT) (O.S. - SUP. BY 3-1181)	
3-1164	TOP COVER HINGE BRACKET	
3-1169	PAPER SIDE GUIDE	
3-1172	TOP COVER HINGE PIN	
3-1175	FRONT COVER ASSEMBLED	
3-1176	CARRIAGE END COVER, LEFT	
3-1177	CARRIAGE END COVER, RIGHT	
3-1180	FRONT COVER ASSEMBLED - FOR FRANCE AND FRENCH COLONIES	
3-1181	CARRIAGE END COVER, LEFT - 56 TOOTH (SPECIAL EQUIPMENT)	
3-1700	TABULATOR STOP SET AND CLEAR LINK ASSEMBLED	
3-1701	MARGIN RELEASE BRACKET ASSEMBLED	
3-1702	MARGIN RELEASE BRACKET SUPPORT ASSEMBLED, COMPLETE - MACHINE WITH TABULATOR	
3-1703	MARGIN RELEASE BRACKET SUPPORT ASSEMBLED, COMPLETE - MACHINE WITHOUT TABULATOR	
3-2001	SIDE PLATE SUPPORT ASSEMBLED (O.S. - SUP. BY 3-2085)	
3-2004	SIDE PLATE ASSEMBLED, RIGHT (O.S. - SUP. BY 3-2082)	
3-2006	SIDE PLATE ASSEMBLED, LEFT (O.S. - SUP. BY 3-2081)	
3-2007	SEGMENT SHIFT STOP BRACKET ASSEMBLED, LEFT (O.S.)	

REMINGTON PORTABLE TYPEWRITER
MODELS AN, QR AND ER

PART NO.	DESCRIPTION	CABINET LOCATION
3-2008	SEGMENT SHIFT STOP SCREW ASSEMBLED, LOWER	_____
3-2009	SEGMENT SHIFT STOP BRACKET ASSEMBLED, RIGHT (O.S.)	_____
3-2010	SHIFT OPERATING ARM SHAFT ASSEMBLED (O.S. - SUP. BY 3-2077)	_____
3-2015	SHIFT LEVER ASSEMBLED, COMPLETE (O.S. - SUP. BY 3-2090)	_____
3-2020	TOUCH CONTROL LEVER ASSEMBLED (O.S. - SUP. BY 3-2417)	_____
3-2021	RIBBON SHIFT SUPPORT ASSEMBLED, COMPLETE	_____
3-2025	RIBBON SPOOL ASSEMBLED, COMPLETE, RIGHT	_____
3-2026	RIBBON SPOOL SHAFT ASSEMBLED, COMPLETE, RIGHT	_____
3-2028	RIBBON SPOOL GUARD ASSEMBLED, RIGHT	_____
3-2029	RIBBON SPOOL RATCHET ASSEMBLED, RIGHT	_____
3-2030	RIBBON SPOOL ASSEMBLED, COMPLETE, LEFT	_____
3-2031	RIBBON SPOOL GUARD ASSEMBLED, LEFT	_____
3-2032	RIBBON SPOOL RATCHET ASSEMBLED, LEFT	_____
3-2033	RIBBON CONTROL SHAFT LEVER ASSEMBLED	_____
3-2034	RIBBON CONTROL LINK ASSEMBLED	_____
3-2035	RIBBON CONTROL LEVER ASSEMBLED	_____
3-2036	MANUAL RIBBON REVERSE ARM AND BRACKET ASSEMBLED	_____
3-2038	KEY LEVER COMB AND UP STOP ASSEMBLED (O.S. - SUP. BY 3-2084)	_____
3-2040	TABULATOR KEY LEVER ASSEMBLED	_____
3-2041	SPACE BAR SHAFT ASSEMBLED (O.S. - SUP. BY 3-2091)	_____
3-2042	MARGIN RELEASE BRACKET SUPPORT ASSEM., COMPLETE - MACHINE WITH TAB. (O.S. - SUP. BY 3-1702)	_____
3-2043	TABULATOR CLEAR FINGER ASSEMBLED	_____
3-2044	TABULATOR STOP SET FINGER ASSEMBLED	_____
3-2045	MARGIN RELEASE BRACKET SUPPORT ASSEMBLED - MACHINE WITH TABULATOR - 10 AND 12 SPACE	_____
3-2048	MARGIN RELEASE BRACKET ASSEMBLED (O.S. - SUP. BY 3-1701)	_____
3-2050	MARGIN RELEASE SHAFT ASSEMBLED	_____
3-2051	TABULATOR SET AND CLEAR SHAFT ASSEMBLED (O.S. - SUP. BY 3-2080)	_____
3-2052	TABULATOR STOP SET AND CLEAR LINK (O.S. - SUP. BY 3-1700)	_____
3-2058	MARGIN RELEASE BRACKET SUPPORT ASSEM., COMPLETE - MACHINE WITHOUT TAB. (O. S. SUP. BY 3-2069)	_____
3-2069	MARGIN RELEASE SUPPORT ASSEMBLED - MACHINE WITHOUT TABULATOR	_____
3-2074	RIBBON SPOOL SHAFT ASSEMBLED, COMPLETE, LEFT	_____
3-2076	SEGMENT SHIFT STOP SCREW ASSEMBLED (O.S. - SUP. BY 3-7089)	_____
3-2077	SHIFT OPERATING SHAFT ASSEMBLED, COMPLETE (O.S. - SUP. BY 3-2088)	_____
3-2080	TABULATOR STOP SET AND CLEAR SHAFT ASSEMBLED	_____
3-2081	SIDE PLATE ASSEMBLED, LEFT	_____
3-2082	SIDE PLATE ASSEMBLED, RIGHT	_____
3-2083	SPACE BAR PULL WIRE ASSEMBLED	_____
3-2084	KEY LEVER COMB AND UP STOP ASSEMBLED	_____
3-2085	SIDE PLATE SUPPORT ASSEMBLED	_____
3-2088	SHIFT OPERATING SHAFT ASSEMBLED, COMPLETE	_____
3-2090	SHIFT LEVER ASSEMBLED, COMPLETE	_____
3-2091	SPACE BAR SHAFT ASSEMBLED	_____
3-2099	RIBBON UNIVERSAL BAR COMPLETE	_____
3-2107	SEGMENT SHIFT STOP BRACKET, LEFT (O.S.)	_____
3-2108	RIBBON CONTROL LEVER STOP (O.S.)	_____
3-2108	SEGMENT SHIFT STOP	_____
3-2109	SEGMENT SHIFT STOP BRACKET, RIGHT (O.S.)	_____
3-2110	SEGMENT ROLLER GUIDE BRACKET (O.S. - SUP. BY 3-2414)	_____
3-2111	SEGMENT GUIDE ECCENTRIC	_____
3-2112	SEGMENT SHIFT AND RIBBON CONTROL SHAFT BRACKET	_____
3-2118	SHIFT OPERATING SHAFT LOCKING PLATE	_____
3-2125	SHIFT LOCK LATCH STRIKE, LEFT (O.S. - SUP. BY 3-2407)	_____
3-2126	SHIFT LOCK LATCH STRIKE, RIGHT (O.S. - SUP. BY 3-2408)	_____
3-2127	SEGMENT OSCILLATOR	_____
3-2161	LINE LOCK ACTUATOR STOP ECCENTRIC (O.S.)	_____

REMINGTON PORTABLE TYPEWRITER
MODELS AN, QR AND ER

PART NO.	DESCRIPTION	CABINET LOCATION
3-2161	RIBBON CONTROL SHAFT LEVER STOP	
3-2162	RIBBON CONTROL BELL CRANK	
3-2163	RIBBON CONTROL BELL CRANK LINK	
3-2164	RIBBON CONTROL LEVER	
3-2165	RIBBON CONTROL LEVER BRACKET	
3-2166	RIBBON CONTROL LEVER LINK	
3-2167	RIBBON CARRIER DOWN STOP	
3-2173	KEY LEVER, FIRST ROW	
3-2174	KEY LEVER, SECOND ROW	
3-2175	KEY LEVER, THIRD ROW	
3-2176	KEY LEVER, FOURTH ROW	
3-2177	KEY LEVER #0 - 44 KEY MACHINE	
3-2178	MARGIN RELEASE KEY LEVER - 44 KEY MACHINE	
3-2179	MARGIN RELEASE KEY LEVER - 42 KEY MACHINE	
3-2180	BACK SPACE KEY LEVER - 44 KEY MACHINE (O.S. - SUP. BY 3-2428)	
3-2182	KEY LEVER KEY CAP (SPECIFY CHARACTER) (O.S. - SUP. BY 2-51957)	
3-2182	SHIFT LOCK KEY CAP - GRAY (O.S. - SUP. BY 2-51957)	
3-2183	SHIFT KEY CAP - GRAY (O.S. - SUP. BY 3-2394)	
3-2185	BELL CRANK BRACKET	
3-2188	TYPE BAR BELL CRANK # 1	
3-2189	TYPE BAR BELL CRANK # 2	
3-2190	TYPE BAR BELL CRANK # 3	
3-2191	TYPE BAR BELL CRANK # 4	
3-2192	TYPE BAR BELL CRANK # 5	
3-2193	TYPE BAR BELL CRANK # 6	
3-2194	TYPE BAR BELL CRANK # 7	
3-2195	TYPE BAR BELL CRANK # 8	
3-2196	TYPE BAR BELL CRANK # 9	
3-2197	TYPE BAR BELL CRANK #10	
3-2198	TYPE BAR BELL CRANK #11	
3-2199	TYPE BAR BELL CRANK #12	
3-2200	TYPE BAR BELL CRANK #13	
3-2201	TYPE BAR BELL CRANK #14	
3-2202	TYPE BAR BELL CRANK #15	
3-2203	TYPE BAR BELL CRANK #16	
3-2204	TYPE BAR BELL CRANK #26	
3-2205	TYPE BAR BELL CRANK #18	
3-2206	TYPE BAR BELL CRANK #19	
3-2207	TYPE BAR BELL CRANK #20	
3-2208	TYPE BAR BELL CRANK #21	
3-2209	TYPE BAR BELL CRANK #22	
3-2210	TYPE BAR BELL CRANK #24	
3-2211	TYPE BAR BELL CRANK #25	
3-2212	TYPE BAR BELL CRANK #27	
3-2213	TYPE BAR BELL CRANK #28	
3-2214	TYPE BAR BELL CRANK #29	
3-2215	TYPE BAR BELL CRANK #30	
3-2216	TYPE BAR BELL CRANK #31	
3-2217	TYPE BAR BELL CRANK #32	
3-2218	TYPE BAR BELL CRANK #33	
3-2219	TYPE BAR BELL CRANK #34	
3-2220	TYPE BAR BELL CRANK #35	
3-2221	TYPE BAR BELL CRANK #36	
3-2222	TYPE BAR BELL CRANK #37	
3-2223	TYPE BAR BELL CRANK #38	

REMINGTON PORTABLE TYPEWRITER
 MODELS AN, QR AND ER

PART NO.	DESCRIPTION	CABINET LOCATION
3-2224	TYPE BAR BELL CRANK #39	
3-2225	TYPE BAR BELL CRANK #40	
3-2226	TYPE BAR BELL CRANK #41	
3-2227	TYPE BAR BELL CRANK #42	
3-2267	TABULATOR KEY LEVER CONNECTING WIRE	
3-2268	LINE LOCK LEVER (O.S. - SUP. BY 3-2392)	
3-2269	BACK SPACE KEY LEVER BELL CRANK (O.S.)	
3-2274	SPACE BAR (O.S. - SUP. BY 3-2395)	
3-2282	BELL HAMMER - 10 AND 12 SPACE	
3-2296	TABULATOR BELL CRANK	
3-2297	FOOT PAD CUP	
3-2298	FOOT PAD	
3-2299	FOOT PAD KEY	
3-2301	BACK SPACE KEY LEVER LINK (O.S.)	
3-2305	TYPE BAR BELL CRANK #23	
3-2306	TYPE BAR BELL CRANK # 0 AND #43	
3-2307	TYPE BAR BELL CRANK #17	
3-2329	KEY LEVER LINK # 0 AND #43	
3-2330	KEY LEVER LINK #42	
3-2331	KEY LEVER LINK # 1	
3-2332	KEY LEVER LINK # 2	
3-2333	KEY LEVER LINK #41	
3-2334	KEY LEVER LINK #40	
3-2335	KEY LEVER LINK # 3	
3-2336	KEY LEVER LINK # 4	
3-2337	KEY LEVER LINK #39	
3-2338	KEY LEVER LINK #38	
3-2339	KEY LEVER LINK # 5	
3-2340	KEY LEVER LINK # 6	
3-2341	KEY LEVER LINK #37	
3-2342	KEY LEVER LINK #36	
3-2343	KEY LEVER LINK # 7	
3-2344	KEY LEVER LINK # 8	
3-2345	KEY LEVER LINK #35	
3-2346	KEY LEVER LINK #34	
3-2347	KEY LEVER LINK # 9	
3-2348	KEY LEVER LINK #10	
3-2349	KEY LEVER LINK #32	
3-2350	KEY LEVER LINK #33	
3-2351	KEY LEVER LINK #11 AND #12	
3-2352	KEY LEVER LINK #30 AND #31	
3-2353	KEY LEVER LINK #14	
3-2354	KEY LEVER LINK #13	
3-2355	KEY LEVER LINK #29	
3-2356	KEY LEVER LINK #16	
3-2357	KEY LEVER LINK #15	
3-2358	KEY LEVER LINK #18	
3-2359	KEY LEVER LINK #27	
3-2360	KEY LEVER LINK #17	
3-2361	KEY LEVER LINK #22	
3-2362	KEY LEVER LINK #25	
3-2363	KEY LEVER LINK #19	
3-2364	KEY LEVER LINK #21	
3-2365	KEY LEVER LINK #23	
3-2366	KEY LEVER LINK #26	

REMINGTON PORTABLE TYPEWRITER
MODELS AN, QR AND ER

PART NO.	DESCRIPTION	CABINET LOCATION
3-2367	KEY LEVER LINK #28	
3-2368	KEY LEVER LINK #20	
3-2369	KEY LEVER LINK #24	
3-2379	BACK SPACE KEY LEVER - 42 KEY MACHINE (O.S. - SUP. BY 3-2405)	
3-2382	MOLDED KEY CAP (SMALL SIZE) FOR SPECIAL CHARACTERS (O.S. - SUP. BY 2-51967)	
3-2390	SHIFT LOCK LATCH STRIKE NUT PLATE (O.S.)	
3-2391	SEGMENT SHIFT STOP CUP	
3-2392	LINE LOCK LEVER	
3-2393	TABULATOR KEY CAP (O.S. - SUP. BY 2-51957)	
3-2394	SHIFT LEVER KEY CAP (O.S. - SUP. BY 2-51958)	
3-2395	SPACE BAR (O.S. - SUP. BY 3-2415)	
3-2397	MOLDED KEY CAP (SMALL SIZE) FOR SPECIAL CHARACTERS (O.S. - SUP. BY 2-51967)	
3-2403	TABULATOR STOP SET AND CLEAR SHAFT ACTUATOR KEY	
3-2405	BACK SPACE KEY LEVER - 42 KEY MACHINE	
3-2407	SHIFT LOCK LATCH STRIKE, LEFT	
3-2408	SHIFT LOCK LATCH STRIKE, RIGHT	
3-2414	SEGMENT ROLLER GUIDE BRACKET	
3-2415	SPACE BAR	
3-2417	TOUCH CONTROL LEVER	
3-2426	RIBBON SPOOL TENSION WASHER (FELT) (O.S.)	
3-2428	BACK SPACE KEY LEVER - 44 KEY MACHINE	
3-2430	LINE LOCK ACTUATOR	
3-3003	TYPE BAR ANVIL ASSEMBLED, RUBBER ANVIL - MACHINE WITH TABULATOR (O.S.)	
3-3004	TYPE BAR ASSEMBLED (O.S. - SUP. BY 3-3092)	
3-3005	SEGMENT BRACKET ASSEMBLED, COMPLETE	
3-3006	UNIVERSAL BAR SUPPORT ASSEMBLED (O.S. - SUP. BY 3-3046)	
3-3008	TYPE BAR CUSHION WIRE ASSEMBLED	
3-3010	RIBBON CARRIER ASSEMBLED, COMPLETE	
3-3014	SEGMENT ASSEMBLED - U - 44 KEY MACHINE (O.S. - SUP. BY 3-3048)	
3-3028	SEGMENT & BUSHING ASSEMBLED - U1 - 44 KEY MACHINE, SLOT #43 NON-RADIAL (SPECIAL EQUIPMENT)	
3-3029	SEGMENT & BUSHING ASSEM. - U2 - 42 & 44 KEY MACH., SLOTS #42 & #43 NON-RADIAL (SPEC. EQUIP.)	
3-3030	SEGMENT & BUSHING ASSEM.-U4- 42 & 44 KEY MACH., SLOTS #40 THRU #43 NON-RADIAL (SPEC. EQUIP.)	
3-3031	SEGMENT & BUSHING ASSEM.-U5- 42 & 44 KEY MACH., SLOTS #39 THRU #43 NON-RADIAL (SPEC. EQUIP.)	
3-3032	SEGMENT ASSEMBLED - U1 - 44 KEY MACHINE, SLOT #43 NON-RADIAL (SPECIAL EQUIPMENT)	
3-3033	SEGMENT ASSEMBLED - U2 - 44 KEY MACHINE, SLOTS #42 AND #43 NON-RADIAL (SPECIAL EQUIPMENT)	
3-3034	SEGMENT ASSEMBLED - U4 - 44 KEY MACHINE, SLOTS #40 THRU #43 NON-RADIAL (SPECIAL EQUIPMENT)	
3-3035	SEGMENT ASSEMBLED - U5 - 44 KEY MACHINE, SLOTS #39 THRU #43 NON-RADIAL (SPECIAL EQUIPMENT)	
3-3037	SEGMENT ASSEMBLED - U2 - 42 KEY MACHINE, SLOT #42 NON-RADIAL (SPECIAL EQUIPMENT)	
3-3038	SEGMENT ASSEMBLED - U4 - 42 KEY MACHINE, SLOTS #40 THRU #42 NON-RADIAL (SPECIAL EQUIPMENT)	
3-3039	SEGMENT ASSEMBLED - U5 - 42 KEY MACHINE, SLOTS #39 THRU #42 NON-RADIAL (SPECIAL EQUIPMENT)	
3-3040	SEGMENT ASSEMBLED - U3 - 42 KEY MACHINE, SLOTS #41 AND #42 NON-RADIAL (SPECIAL EQUIPMENT)	
3-3046	TYPE BAR UNIVERSAL BAR SUPPORT ASSEMBLED	
3-3047	SEGMENT ASSEMBLED - U - 42 KEY MACHINE	
3-3048	SEGMENT ASSEMBLED - U - 44 KEY MACHINE	
3-3049	SEGMENT ASSEMBLED - T5 - 42 KEY MACHINE, SLOTS #38 THRU #42 NON-RADIAL (SPECIAL EQUIPMENT)	
3-3050	SEGMENT ASSEMBLED - U3 - 44 KEY MACHINE, SLOTS #41 THRU #43 NON-RADIAL (SPECIAL EQUIPMENT)	
3-3052	SEGMENT & BUSHING ASSEMBLED - U - 42 AND 44 KEY MACHINES	
3-3053	SEGMENT & BUSHING ASSEM. - T5 - 42 KEY MACH., SLOTS #38 THRU #42 NON-RADIAL (SPEC. EQUIP.)	
3-3054	SEGMENT & BUSHING ASSEM.-U3- 42 & 44 KEY MACH., SLOTS #41 THRU #43 NON-RADIAL (SPEC. EQUIP.)	
3-3060	SEGMENT & BUSHING ASSEM. - U - 42 AND 44 KEY MACHINES WITH TABULATOR (RUBBER ANVIL) (O.S.)	
3-3073	SEGMENT ASSEMBLED - U - 44 KEY MACHINE WITH TABULATOR (RUBBER ANVIL) (O.S.)	
3-3074	SEGMENT ASSEMBLED - U - 42 KEY MACHINE WITH TABULATOR (RUBBER ANVIL) (O.S.)	
3-3092	TYPE BAR ASSEMBLED - SPECIFY SPACE	
3-3093	TYPE BAR, DEAD KEY, OFFSET, ASSEMBLED WITH TYPE - 10 SPACE (SPECIAL EQUIPMENT)	
3-3094	TYPE BAR, DEAD KEY, OFFSET, ASSEMBLED WITH TYPE - 12 SPACE (SPECIAL EQUIPMENT)	
3-3104	TYPE BAR GUIDE	

REMINGTON PORTABLE TYPEWRITER
 MODELS AN, QR AND ER

PART NO.	DESCRIPTION	CABINET LOCATION
3-3152	LINE LOCK SLIDE	_____
3-3153	TYPE BAR UNIVERSAL BAR ROCKER	_____
3-3154	TYPE BAR UNIVERSAL BAR	_____
3-3156	TYPE BAR CUSHION BRACKET, RIGHT	_____
3-3157	TYPE BAR CUSHION BRACKET, LEFT	_____
3-3158	TYPE BAR CUSHION	_____
3-3163	TYPE (SPECIFY SPACE)	_____
3-3171	SEGMENT GUIDE ROLLER	_____
3-3171	SEGMENT SHIFT OPERATING ROLLER	_____
3-3175	TYPE BAR, DEAD KEY, OFFSET - 10 SPACE (SPECIAL EQUIPMENT) (O.S. - SUP. BY 3-3210)	_____
3-3176	TYPE BAR, DEAD KEY, OFFSET - 12 SPACE (SPECIAL EQUIPMENT) (O.S. - SUP. BY 3-3211)	_____
3-3185	SEGMENT - U - 42 AND 44 KEY MACHINES	_____
3-3207	TYPE BAR, RIGHT - FOR REPAIRMEN	_____
3-3208	TYPE BAR, LEFT - FOR REPAIRMEN	_____
3-3210	TYPE BAR, DEAD KEY, OFFSET - 10 SPACE (SPECIAL EQUIPMENT)	_____
3-3211	TYPE BAR, DEAD KEY, OFFSET - 12 SPACE (SPECIAL EQUIPMENT)	_____
3-3212	TYPE BAR, DEAD KEY, OFFSET - 10 SPACE - SIAMESE (SPECIAL EQUIPMENT)	_____
3-3213	TYPE BAR, DEAD KEY, OFFSET - 12 SPACE - SIAMESE (SPECIAL EQUIPMENT)	_____
3-4000	CARRIAGE ASSEMBLED - MACHINE WITH TABULATOR - 10 SPACE (O.S.)	_____
3-4003	SPRING DRUM ASSEMBLED, COMPLETE (O.S. - SUP. BY 3-4004)	_____
3-4004	SPRING DRUM ASSEMBLED	_____
3-4005	SPACE KEY TRIP SHAFT BRACKET ASSEMBLED (O.S. - SUP. BY 3-4826)	_____
3-4006	ESCAPEMENT BODY BRACKET ASSEMBLED, COMPLETE - 10 SPACE	_____
3-4007	ESCAPEMENT BODY BRACKET ASSEMBLED	_____
3-4008	ESCAPEMENT BODY BELL CRANK ASSEMBLED	_____
3-4009	ESCAPEMENT BODY ASSEMBLED, COMPLETE	_____
3-4010	ESCAPEMENT BODY ASSEMBLED	_____
3-4011	ESCAPEMENT FIXED DOG ASSEMBLED	_____
3-4012	BACK SPACE DOG BELL CRANK BRACKET ASSEMBLED (O.S. - SUP. BY 3-4823)	_____
3-4013	BACK SPACE DOG LINKAGE ASSEMBLED (O.S. - SUP. BY 3-4824)	_____
3-4014	BACK SPACE DOG CONNECTING WIRE ASSEMBLED (O.S.)	_____
3-4017	ESCAPEMENT WHEEL ASSEMBLED - 10 SPACE	_____
3-4021	FEED ROLL RELEASE SHAFT ASSEMBLED (O.S. - SUP. BY 3-4269)	_____
3-4022	FEED ROLL ROCKER ARM ASSEMBLED, LEFT	_____
3-4023	FEED ROLL SUPPORT ARM ASSEMBLED, LEFT	_____
3-4025	FEED ROLL SUPPORT ARM ASSEMBLED, RIGHT	_____
3-4027	FEED ROLL ASSEMBLED (O.S. - SUP. BY 3-4819)	_____
3-4028	FEED ROLL RELEASE LEVER ASSEMBLED, COMPLETE (O.S.)	_____
3-4029	FEED ROLL RELEASE LEVER ASSEMBLED (O.S. - SUP. BY 3-4843)	_____
3-4038	PAPER BAIL ASSEMBLED, COMPLETE (O.S.)	_____
3-4039	PAPER BAIL ASSEMBLED (O.S. - SUP. BY 3-4850 & 3-4851)	_____
3-4043	PAPER BAIL ROLL ASSEMBLED	_____
3-4044	PAPER SCALE PIVOT BRACKET ASSEMBLED, RIGHT (O.S. - SUP. BY 3-4168)	_____
3-4046	CARRIAGE RELEASE LEVERS & LETTER SPACING RACK ASSEM., COMP. - 10 SPACE (O.S.)	_____
3-4048	LINE SPACE RATCHET DETENT ROLL ARM RELEASE LEVER ASSEMBLED (O.S.)	_____
3-4049	LINE SPACE RATCHET DETENT ROLL ARM ASSEMBLED (O.S. - SUP. BY 3-4860)	_____
3-4050	LINE SPACE REGULATOR ASSEMBLED, COMPLETE (O.S.)	_____
3-4051	LINE SPACE REGULATOR ASSEMBLED (O.S. - SUP. BY 3-4841)	_____
3-4052	LINE SPACE PAWL CARRIER ASSEMBLED, COMPLETE (O.S. - SUP. BY 3-4844)	_____
3-4054	LINE SPACE RATCHET AND CLUTCH RING ASSEMBLED (O.S. - SUP. BY 3-4852)	_____
3-4055	LINE SPACE LEVER ASSEMBLED (O.S. - SUP. BY 3-4842)	_____
3-4056	PLATEN ASSEMBLED (O.S. - SUP. BY 3-4856 & 3-4857)	_____
3-4057	CLUTCH GEAR ASSEMBLED (O.S. - SUP. BY 3-4326 & 3-4327)	_____
3-4060	PLATEN KNOB, RIGHT, GRAY (O.S. - SUP. BY 3-4805)	_____

REMINGTON PORTABLE TYPEWRITER
MODELS AN, QR AND ER

PART NO.	DESCRIPTION	CABINET LOCATION
3-4062	PAPER TROUGH ASSEMBLED (O.S. - SUP. BY 3-4846 & 3-4847)	_____
3-4065	PLATEN KNOB ASSEMBLED, COMPLETE, LEFT (O.S. - SUP. BY 3-4807)	_____
3-4067	PLATEN ASSEMBLED, COMPLETE (O.S. - SUP. BY 3-4858 & 3-4859)	_____
3-4071	MARGIN STOP ASSEMBLED, LEFT (O.S. - SUP. BY 3-4865)	_____
3-4072	MARGIN STOP ASSEMBLED, RIGHT (O.S. - SUP. BY 3-4866)	_____
3-4076	CARRIAGE FRAME ASSEMBLED, COMPLETE - MACHINE WITHOUT TABULATOR - 10 SPACE (O.S.)	_____
3-4077	CARRIAGE ASSEMBLED - MACHINE WITHOUT TABULATOR - 10 SPACE (O.S.)	_____
3-4085	CARRIAGE ASSEMBLED - MACHINE WITHOUT TABULATOR - 12 SPACE (O.S.)	_____
3-4087	ESCAPEMENT BODY BRACKET ASSEMBLED, COMPLETE - 12 SPACE	_____
3-4088	CARRIAGE FRAME ASSEMBLED, COMPLETE - MACHINE WITH TABULATOR - 12 SPACE (O.S.)	_____
3-4091	CARRIAGE RELEASE LEVERS & LETTER SPACING RACK ASSEM., COMP. - 12 SPACE (O.S.)	_____
3-4092	CARRIAGE ASSEMBLED - MACHINE WITHOUT TABULATOR - 12 SPACE (O.S.)	_____
3-4094	CARRIAGE FRAME ASSEMBLED, COMPLETE - MACHINE WITHOUT TABULATOR - 12 SPACE (O.S.)	_____
3-4096	TABULATOR STOP RACK COMPLETE - 10 SPACE	_____
3-4097	TABULATOR STOP RACK COMPLETE - 12 SPACE	_____
3-4098	TABULATOR STOP RACK ASSEMBLED - 10 SPACE	_____
3-4099	TABULATOR STOP RACK ASSEMBLED - 12 SPACE	_____
3-4100	CARRIAGE RAIL ASSEMBLED, REAR	_____
3-4101	TABULATOR LETTER SPACING RACK RELEASE LEVER ASSEMBLED	_____
3-4102	CARRIAGE RAIL FRONT	_____
3-4104	SPRING DRUM BODY	_____
3-4105	SPRING DRUM CORE	_____
3-4106	SPRING DRUM CAP	_____
3-4107	SPRING DRUM DRAW CORD	_____
3-4113	SPRING DRUM TENSION RATCHET	_____
3-4119	ESCAPEMENT STEPPING DOG	_____
3-4125	CARRIAGE STOP (O.S. - SUP. BY 3-4280)	_____
3-4132	FEED ROLL RELEASE SHAFT COLLAR (O.S.)	_____
3-4133	FEED ROLL SUPPORT ARM STOP (O.S.)	_____
3-4144	TABULATOR STOP	_____
3-4145	TABULATOR STOP SPRING COMB - 10 SPACE	_____
3-4146	TABULATOR STOP SPRING COMB SUPPORT	_____
3-4147	MARGIN STOP RACK - 10 SPACE (O.S. - SUP. BY 3-4341 & 3-4342)	_____
3-4165	PAPER BAIL ROLL ROD (O.S. - SUP. BY 3-4313 & 3-4314)	_____
3-4166	PAPER SCALE PIVOT BRACKET, RIGHT (O.S. - SUP. BY 3-4168)	_____
3-4167	PAPER SCALE - 10 SPACE (O.S. - SUP. BY 3-4286)	_____
3-4168	PAPER SCALE PIVOT BRACKET, LEFT (O.S. - SUP. BY 3-4295)	_____
3-4168	PAPER SCALE PIVOT BRACKET, RIGHT	_____
3-4169	LINE SPACE STOP	_____
3-4170	PAPER SCALE PIVOT, LEFT (O.S. - SUP. BY 3-4296)	_____
3-4174	LETTER SPACING RACK NUT PLATE (O.S.)	_____
3-4175	LINE SPACE RATCHET DETENT ROLL ARM RELEASE LEVER (O.S. - SUP. BY 3-4302)	_____
3-4181	LINE SPACE LINK (O.S.)	_____
3-4190	PLATEN SHAFT (O.S. - SUP. BY 3-4324 & 3-4325)	_____
3-4195	ALIGNING SCALE BRACKET (O.S. - SUP. BY 3-4331 & 3-4332)	_____
3-4195	ALIGNING SCALE BRACKET (SPECIAL FOR KEYBOARD #2585, #9 TYPE)	_____
3-4196	ALIGNING SCALE - 10 SPACE (O.S. - SUP. BY 3-4331)	_____
3-4216	MARGIN STOP RACK - 12 SPACE (O.S. - SUP. BY 3-4343)	_____
3-4228	TABULATOR STOP SPRING COMB - 12 SPACE	_____
3-4230	ALIGNING SCALE - 12 SPACE (O.S. - SUP. BY 3-4332)	_____
3-4231	PAPER SCALE - 12 SPACE (O.S. - SUP. BY 3-4287 & 3-4318)	_____
3-4239	PLATEN SHAFT BEARING, LEFT, INNER (O.S.)	_____
3-4241	BACK SPACE KEY LEVER DOWN STOP, RUBBER	_____
3-4241	MARGIN RELEASE LEVER DOWN STOP, RUBBER	_____
3-4241	PAPER BAIL ARM PAD, RUBBER (O.S.)	_____
3-4242	CARRIAGE FRAME BRACE (O.S.)	_____
3-4244	ESCAPEMENT WHEEL ASSEMBLED - 12 SPACE	_____

REMINGTON PORTABLE TYPEWRITER
MODELS AN, QR AND ER

PART NO.	DESCRIPTION	CABINET LOCATION
3-4248	CARRIAGE LOCK LEVER ASSEMBLED (O.S. - SUP. BY 3-4288)	_____
3-4249	CARRIAGE LOCK LEVER STOP NUT (O.S. - SUP. BY 3-4291)	_____
3-4252	GRIP WIRE ROD ASSEMBLED - DRUG LABEL PLATEN (SPECIAL EQUIPMENT) (O.S. - SUP. BY 3-4878)	_____
3-4258	PLATEN ASSEMBLED - DRUG LABEL PLATEN (SPECIAL EQUIPMENT) (O.S. - SUP. BY 3-4874)	_____
3-4259	GRIP WIRE RELEASE LEVER BRACKET ASSEMBLED - DRUG LABEL PLATEN (SPECIAL EQUIPMENT)	_____
3-4260	PLATEN ASSEMBLED, COMPLETE - DRUG LABEL PLATEN (SPECIAL EQUIPMENT) (O.S. - SUP. BY 3-4872)	_____
3-4262	LINE SPACE REGULATOR DETENT-56 T.-HALF SPACE LINE SPAC. (SPEC. EQUIP.) (O.S. SUP. BY 3-4871)	_____
3-4263	PAPER SCALE PIVOT BRACKET, LEFT - 56 TOOTH - HALF SPACE LINE SPACING (SPEC. EQUIP.) (O.S.)	_____
3-4264	LINE SPACE RATCHET DETENT ROLLER-56 T.-HALF SPACE LINE SPAC.(SPEC. EQUIP.O.S. SUP. BY 3-4350)	_____
3-4267	CARRIAGE ROLL RETAINER ASSEMBLED	_____
3-4269	FEED ROLL RELEASE SHAFT ASSEMBLED (O.S. - SUP. BY 3-4306 & 3-4307)	_____
3-4271	DRAW CORD CLIP (O.S.)	_____
3-4275	ALIGNING SCALE - 10 SPACE (SPECIAL FOR KEYBOARD #2585, #9 TYPE)	_____
3-4280	CARRIAGE STOP (O.S.)	_____
3-4286	PAPER SCALE - 10" CARRIAGE - 10 SPACE	_____
3-4287	PAPER SCALE - 10" CARRIAGE - 12 SPACE	_____
3-4288	CARRIAGE LOCK LEVER - 10" CARRIAGE	_____
3-4290	CARRIAGE LOCK SPRING - 10" CARRIAGE	_____
3-4291	CARRIAGE LOCK LEVER STOP NUT - 10" CARRIAGE	_____
3-4295	PAPER SCALE PIVOT BRACKET, LEFT	_____
3-4296	PAPER SCALE PIVOT, LEFT	_____
3-4302	LINE SPACE DETENT RELEASE LEVER	_____
3-4306	FEED ROLL RELEASE SHAFT ASSEMBLED - 10" CARRIAGE	_____
3-4307	FEED ROLL RELEASE SHAFT ASSEMBLED - 11" CARRIAGE	_____
3-4310	TABULATOR STOP SPRING COMB ASSEMBLED - 11" CARRIAGE	_____
3-4313	PAPER BAIL ROLL ROD - 10" CARRIAGE	_____
3-4314	PAPER BAIL ROLL ROD - 11" CARRIAGE	_____
3-4317	PAPER SCALE - 11" CARRIAGE - 10 SPACE	_____
3-4318	PAPER SCALE - 11" CARRIAGE - 12 SPACE	_____
3-4324	PLATEN SHAFT, RIGHT - 10" CARRIAGE	_____
3-4325	PLATEN SHAFT, RIGHT - 11" CARRIAGE	_____
3-4326	PLATEN CLUTCH JAWS	_____
3-4327	PLATEN CLUTCH CONE	_____
3-4330	PLATEN HEAD, RIGHT - DRUG LABEL PLATEN (SPECIAL EQUIPMENT)	_____
3-4331	ALIGNING SCALE - 10 SPACE	_____
3-4332	ALIGNING SCALE - 12 SPACE	_____
3-4335	TABULATOR STOP PLATE - 11" CARRIAGE	_____
3-4341	MARGIN STOP RACK - 10" CARRIAGE - 10 SPACE	_____
3-4342	MARGIN STOP RACK - 11" CARRIAGE - 10 SPACE	_____
3-4343	MARGIN STOP RACK - 10" CARRIAGE - 12 SPACE	_____
3-4344	MARGIN STOP RACK - 11" CARRIAGE - 12 SPACE	_____
3-4345	TABULATOR STOP SPRING COMB, LEFT - 11" CARRIAGE - 10 SPACE	_____
3-4346	TABULATOR STOP SPRING COMB, RIGHT - 11" CARRIAGE - 10 SPACE	_____
3-4347	TABULATOR STOP SPRING COMB, LEFT - 11" CARRIAGE - 12 SPACE	_____
3-4348	TABULATOR STOP SPRING COMB, RIGHT - 11" CARRIAGE - 12 SPACE	_____
3-4355	FEED ROLL ASSEMBLED, FRONT	_____
3-4800	FEED ROLL ROCKER ARM ASSEMBLED, RIGHT	_____
3-4805	PLATEN KNOB ASSEMBLED, RIGHT (O.S. - SUP. BY 3-4828)	_____
3-4807	PLATEN KNOB ASSEMBLED, COMPLETE, LEFT (O.S. - SUP. BY 3-4829)	_____
3-4803	LINE SPACE REGULATOR ASSEM.-56 T.-HALF SPACE LINE SPAC. (SPEC. EQUIP.) (O.S. SUP. BY 3-4869)	_____
3-4809	LINE SPACE RATCHET DETENT ARM ASSEMBLED - 56 TOOTH (SPECIAL EQUIPMENT) (O.S. SUP. BY 3-4883)	_____
3-4810	RATCHET & CLUTCH RING ASSEM.-56 T.-HALF SPACE LINE SPAC. (SPEC. EQUIP.) (O.S. SUP. BY 3-4349)	_____
3-4811	LINE SPACE PAWL CARRIER ASSEM., COMP.-56 T.-HALF SPACE LINE SPAC. (SPEC. O.S. SUP. BY 3-4844)	_____
3-4816	LINE SPACE REGULATOR ASSEM., COMP. - 56 TOOTH - HALF SPACE LINE SPAC. (SPEC. EQUIP.) (O.S.)	_____
3-4819	FEED ROLL ASSEMBLED, REAR	_____

REMINGTON PORTABLE TYPEWRITER
MODELS AN, QR AND ER

PART NO.	DESCRIPTION	CABINET LOCATION
3-4823	BACK SPACE DOG BELL CRANK BRACKET ASSEMBLED	
3-4824	BACK SPACE DOG AND BELL CRANK ASSEMBLED	
3-4826	SPACE KEY ESCAPEMENT OPERATING ARM BRACKET ASSEMBLED	
3-4828	PLATEN KNOB ASSEMBLED, RIGHT	
3-4829	PLATEN KNOB ASSEMBLED, COMPLETE, LEFT	
3-4830	LETTER SPACING RACK ASSEMBLED - 10" CARRIAGE - 10 SPACE	
3-4831	LETTER SPACING RACK ASSEMBLED - 10" CARRIAGE - 12 SPACE	
3-4832	LETTER SPACING RACK ASSEMBLED - 11" CARRIAGE - 10 SPACE	
3-4833	LETTER SPACING RACK ASSEMBLED - 11" CARRIAGE - 12 SPACE	
3-4839	CARRIAGE FRAME COMPLETE - 10" CARRIAGE	
3-4840	CARRIAGE FRAME ASSEMBLED - 11" CARRIAGE	
3-4841	LINE SPACE REGULATOR ASSEMBLED	
3-4842	LINE SPACE LEVER ASSEMBLED	
3-4843	FEED ROLL RELEASE LEVER ASSEMBLED	
3-4844	LINE SPACE PAWL CARRIER ASSEMBLED	
3-4845	LINE SPACE REGULATOR DETENT ASSEMBLED	
3-4846	PAPER TROUGH ASSEMBLED - 10" CARRIAGE	
3-4847	PAPER TROUGH ASSEMBLED - 11" CARRIAGE	
3-4850	PAPER BAIL ARM ASSEMBLED - 10" CARRIAGE	
3-4851	PAPER BAIL ARM ASSEMBLED - 11" CARRIAGE	
3-4852	PLATEN RATCHET ASSEMBLED	
3-4856	PLATEN ASSEMBLED - 10" CARRIAGE	
3-4857	PLATEN ASSEMBLED - 11" CARRIAGE	
3-4858	PLATEN COMPLETE - 10" CARRIAGE	
3-4859	PLATEN COMPLETE - 11" CARRIAGE	
3-4860	LINE SPACE RATCHET DETENT ROLL ARM ASSEMBLED	
3-4861	TABULATOR STOP RACK ASSEMBLED - 11" CARRIAGE - 10 SPACE	
3-4862	TABULATOR STOP RACK ASSEMBLED - 11" CARRIAGE - 12 SPACE	
3-4863	TABULATOR STOP RACK COMPLETE - 11" CARRIAGE - 10 SPACE	
3-4864	TABULATOR STOP RACK COMPLETE - 11" CARRIAGE - 12 SPACE	
3-4865	MARGIN STOP ASSEMBLED, LEFT	
3-4866	MARGIN STOP ASSEMBLED, RIGHT	
3-4869	LINE SPACE REGULATOR ASSEMBLED - 56 TOOTH	
3-4871	LINE SPACE REGULATOR DETENT ASSEMBLED - 56 TOOTH	
3-4872	PLATEN COMPLETE - 10" CARRIAGE - DRUG LABEL PLATEN (SPECIAL EQUIPMENT)	
3-4873	PLATEN COMPLETE - 11" CARRIAGE - DRUG LABEL PLATEN (SPECIAL EQUIPMENT)	
3-4874	PLATEN ASSEMBLED - 10" CARRIAGE - DRUG LABEL PLATEN (SPECIAL EQUIPMENT)	
3-4875	PLATEN ASSEMBLED - 11" CARRIAGE - DRUG LABEL PLATEN (SPECIAL EQUIPMENT)	
3-4878	GRIP WIRE ROD ASSEMBLED - 10" CARRIAGE - DRUG LABEL PLATEN (SPECIAL EQUIPMENT)	
3-4879	GRIP WIRE ROD ASSEMBLED - 11" CARRIAGE - DRUG LABEL PLATEN (SPECIAL EQUIPMENT)	
3-4882	PLATEN RATCHET ASSEMBLED - 56 TOOTH	
3-4883	LINE SPACE RATCHET DETENT ROLL ARM ASSEMBLED - 56 TOOTH	
3-4886	PLATEN ASSEMBLED - 10" CARRIAGE (SIAMESE) (SPECIAL EQUIPMENT)	
3-4887	PLATEN COMPLETE - 10" CARRIAGE (SIAMESE) (SPECIAL EQUIPMENT)	
3-5001	TABULATOR LETTER SPACING RACK RELEASE LINK NUT	
3-5003	ESCAPEMENT BODY BELL CRANK SCREW LOCK NUT (O.S. - SUP. BY 3-5005)	
3-5003	ESCAPEMENT FIXED DOG FULCRUM SCREW NUT	
3-5003	ESCAPEMENT STEPPING DOG SCREW NUT	
3-5003	LINE SPACE LINK SCREW NUT (O.S.)	
3-5003	PAPER SCALE PIVOT NUT, RIGHT	
3-5003	PAPER SCALE PIVOT SCREW NUT (O.S.)	
3-5003	SPACE BAR LOCKING LINK CLIP LOCK NUT (O.S.)	
3-5003	TABULATOR LETTER SPACING RACK RELEASE LEVER SCREW NUT	
3-5005	ESCAPEMENT BODY BELL CRANK SCREW LOCK NUT	
3-5005	ESCAPEMENT BODY OPERATING SCREW LOCK NUT	

REMINGTON PORTABLE TYPEWRITER
 MODELS AN, QR AND ER

PART NO.	DESCRIPTION	CABINET LOCATION
3-5005	ESCAPEMENT BODY PIVOT SCREW LOCK NUT	_____
3-5005	ESCAPEMENT BODY STOP SCREW LOCK NUT	_____
3-5005	MARGIN RELEASE BRACKET SET SCREW LOCK NUT	_____
3-5005	SEGMENT OSCILLATOR PIVOT SCREW LOCK NUT	_____
3-5005	SHIFT OPERATING ARM DOWN STOP SCREW NUT (O.S.)	_____
3-5005	SPACE KEY ESCAPEMENT BODY OPERATING SCREW LOCK NUT	_____
3-5005	SPRING DRUM SCREW NUT	_____
3-5005	TABULATOR LETTER SPACING RACK RELEASE LINK LOCK NUT	_____
3-5005	TABULATOR STOP RACK ADJUSTING SCREW LOCK NUT	_____
3-5005	TYPE BAR UNIVERSAL BAR ROCKER PIVOT SCREW LOCK NUT	_____
3-5005	TYPE BAR UNIVERSAL BAR SCREW LOCK NUT	_____
3-5008	ESCAPEMENT WHEEL SCREW NUT	_____
3-5008	LINE SPACE LEVER SCREW NUT	_____
3-5008	MARGIN STOP RACK NUT, OUTER	_____
3-5008	SEGMENT PIVOT SCREW LOCK NUT	_____
3-5008	SEGMENT SHIFT STOP SCREW LOCK NUT	_____
3-5009	LINE SPACE RATCHET DETENT ROLL ARM ECCENTRIC NUT	_____
3-5010	CARRIAGE RAIL FRONT AND REAR, END SCREW NUT (#6 x 40)	_____
3-5011	FOOT PAD SCREW NUT (REPAIR NUT)	_____
3-5012	MARGIN STOP RACK NUT, INNER	_____
3-5102	RIBBON CONTROL SHAFT SPACER	_____
3-5106	RIBBON SPOOL SHAFT TENSION SPRING COLLAR	_____
3-5108	RIBBON SHIFT SUPPORT BEARING SCREW WASHER	_____
3-5112	FEED ROLL RELEASE SHAFT SPACER (O.S.)	_____
3-5115	CLUTCH GEAR WASHER (O.S. - SUP. BY 3-5139)	_____
3-5119	PAPER BAIL ARM AND ROLL ROD SCREW WASHER	_____
3-5121	LINE LOCK ACTUATING STOP COLLAR - MACHINE WITHOUT TABULATOR (O.S.)	_____
3-5121	MARGIN RELEASE SHAFT STOP COLLAR (O.S.)	_____
3-5123	LINE SPACE LEVER MOUNTING WASHER (O.S.)	_____
3-5126	FEED ROLL RELEASE LEVER SPACER	_____
3-5127	CARRIAGE RAIL FRONT AND REAR, END AND CENTER SCREW, LOCK WASHER	_____
3-5129	TABULATOR STOP RACK MOUNTING SCREW LOCK WASHER	_____
3-5130	LINE SPACE RATCHET DETENT ARM SPACER - 56 TOOTH - HALF SPACE LINE SPAC. (SPEC. EQUIP.) (O.S.)	_____
3-5136	PLATEN SPACER, LEFT	_____
3-5137	PLATEN SPACER, THICK, RIGHT	_____
3-5138	PLATEN SPACER, THIN, RIGHT	_____
3-5139	PLATEN RATCHET SPACING COLLAR	_____
3-5140	PLATEN RATCHET SPACING COLLAR (OVERSIZE)	_____
3-5141	PLATEN RATCHET SPACING COLLAR SHIM	_____
3-6001	PAPER TABLE DETENT SPRING (O.S. - SUP. BY 3-6064)	_____
3-6001	SEGMENT OPERATING ARM YIELD SPRING (O.S.)	_____
3-6003	MARGIN RELEASE KEY LEVER SPRING	_____
3-6004	TABULATOR STOP SET AND CLEAR FINGER TORSION SPRING	_____
3-6005	PAPER BAIL ROLL FRICTION SLEEVE	_____
3-6006	PAPER BAIL ARM SPRING (O.S. - SUP. BY 3-6080)	_____
3-6007	FEED ROLL TENSION SPRING	_____
3-6008	LINE SPACE RATCHET DETENT ROLL ARM RETURN SPRING (O.S. - SUP. BY 3-6076)	_____
3-6009	TOUCH CONTROL SPRING	_____
3-6014	LINE SPACE LEVER SPRING (O.S.)	_____
3-6014	SHIFT LINK YIELD SPRING (O.S.)	_____
3-6015	SHIFT LOCK LEVER SPRING	_____
3-6016	SHIFT LEVER SPRING	_____
3-6017	SHIFT OPERATING ARM SPRING	_____
3-6019	PAPER SCALE SPRING	_____
3-6023	SPACE BAR LEVER SPRING (O.S. - SUP. BY 3-6073)	_____

REMINGTON PORTABLE TYPEWRITER
 MODELS AN, QR AND ER

PART NO.	DESCRIPTION	CABINET LOCATION
3-6024	PAPER SIDE GUIDE SPRING (O.S.)	
3-6025	RIBBON SPOOL RETAINING PAWL SPRING	
3-6026	CARRIAGE RELEASE LEVER SPRING, RIGHT (O.S.)	
3-6027	CLUTCH SPRING (O.S. - SUP. BY 3-6074).	
3-6029	LINE SPACE PAWL SPRING (O.S. - SUP. BY 3-6077)	
3-6032	BELL HAMMER SPRING	
3-6034	RIBBON SPOOL SHAFT TENSION SPRING	
3-6035	LINE LOCK SLIDE SPRING	
3-6036	ESCAPEMENT STEPPING DOG SPRING	
3-6037	ESCAPEMENT FIXED DOG SPRING	
3-6038	ESCAPEMENT BODY SPRING	
3-6039	BACK SPACE DOG SPRING	
3-6041	CARRIAGE TENSION SPRING	
3-6042	LINE SPACE REGULATOR ARM DETENT SPRING (O.S. - SUP. BY 3-6076)	
3-6046	TOP COVER SPRING (O.S.)	
3-6047	RIBBON CARRIER DETENT SPRING	
3-6048	PAPER TROUGH TENSION SPRING (O.S.)	
3-6049	TABULATOR OPERATING LEVER SPRING	
3-6050	BELL HAMMER SPRING RETAINER	
3-6050	TABULATOR OPERATING LEVER SPRING RETAINER	
3-6050	TOUCH CONTROL SPRING RETAINER	
3-6051	MANUAL RIBBON REVERSE ARM DETENT SPRING	
3-6053	TYPE BAR UNIVERSAL BAR ROCKER SPRING	
3-6054	MARGIN STOP SPRING	
3-6058	KEY LEVER SPRING - FOURTH BANK	
3-6062	SPACE BAR SHAFT SPRING	
3-6063	DEAD KEY SPRING (SPECIAL EQUIPMENT)	
3-6064	PAPER TABLE DETENT SPRING (O.S.)	
3-6065	GRIP WIRE RELEASE LEVER SPRING - DRUG LABEL PLATEN (SPECIAL EQUIPMENT)	
3-6066	CARRYING CASE MACHINE FRONT LOCK SPRING, RIGHT	
3-6067	CARRYING CASE MACHINE FRONT LOCK SPRING, LEFT	
3-6068	LINE SPACE REGULATOR SPRING-56 T.- HALF SPACE LINE SPAC. (SPEC. EQUIP.) (O.S. SUP. BY 3-6076)	
3-6071	PAPER BAIL SPRING (O.S. - SUP. BY 3-6080)	
3-6072	CARRIAGE RELEASE LEVER SPRING, LEFT	
3-6073	SPACE BAR LEVER SPRING	
3-6074	PLATEN CLUTCH CONE RETAINING SPRING	
3-6075	PLATEN CLUTCH DOG RETAINING SPRING	
3-6076	LINE SPACE RATCHET DETENT ROLL ARM SPRING	
3-6077	LINE SPACE PAWL SPRING	
3-6079	FEED ROLL TENSION SPRING - 11" CARRIAGE	
3-6080	PAPER BAIL SPRING	
3-6081	FEED ROLL RELEASE LEVER SILENCER SPRING	
3-6102	TYPE BAR FULCRUM WIRE	
3-6103	BELL CRANK FULCRUM WIRE	
3-6105	KEY LEVER FULCRUM WIRE	
3-6106	TYPE BAR CUSHION WIRE	
3-6111	MARGIN RELEASE CONNECTING WIRE	
3-6112	SPACE BAR LOCKING LINK (O.S.)	
3-6113	TABULATOR STOP FULCRUM WIRE - 10" CARRIAGE	
3-6115	TABULATOR STOP FULCRUM WIRE - 11" CARRIAGE	
3-7013	BACK SPACE DOG BELL CRANK SCREW (O.S.)	
3-7013	LINE LOCK SLIDE MOUNTING SCREW	
3-7014	TOUCH CONTROL LEVER SCREW (O.S.)	
3-7018	CARRIAGE END COVER SCREW	
3-7018	PAPER TABLE SCREW	
3-7019	CARRIAGE AND SIDE PLATE SCREW	

REMINGTON PORTABLE TYPEWRITER
 MODELS AN, QR AND ER

PART NO.	DESCRIPTION	CABINET LOCATION
3-7019	MARGIN RELEASE BRACKET SUPPORT SCREW	_____
3-7019	SEGMENT AND TYPE BAR UNIVERSAL BAR SUPPORT SCREW	_____
3-7019	SEGMENT ROLLER GUIDE BRACKET SCREW	_____
3-7019	TABULATOR STOP SET AND CLEAR SHAFT SUPPORT BRACKET SCREW (O.S.)	_____
3-7022	ALIGNING SCALE BRACKET SCREW (FOR KEYBOARD #2585, #9 TYPE)	_____
3-7022	ALIGNING SCALE BRACKET SCREW (O.S.)	_____
3-7022	ALIGNING SCALE SCREW	_____
3-7022	CARRIAGE REAR COVER SCREW	_____
3-7022	FRONT COVER SCREW (O.S. - SUP. BY 3-7023)	_____
3-7022	PAPER SCALE PIVOT BRACKET RIGHT, SCREW	_____
3-7022	SIDE COVER SCREW, FRONT	_____
3-7022	SIDE COVER SCREW, LOWER, FRONT (O.S.)	_____
3-7023	CARRIAGE FRAME BRACE SCREW (O.S.)	_____
3-7023	CARRIAGE STOP MOUNTING SCREW (O.S.)	_____
3-7023	FRONT COVER SCREW	_____
3-7023	KEY LEVER COMB AND UP STOP SCREW	_____
3-7023	RIBBON CONTROL LEVER BRACKET SCREW	_____
3-7023	RIBBON SPOOL SHAFT SUPPORT BRACKET SCREW	_____
3-7023	SHIFT LOCK LATCH STRIKE SCREW	_____
3-7023	SIDE COVER AND REAR COVER SCREW, LOWER	_____
3-7023	SIDE COVER AND REAR COVER SCREW, UPPER	_____
3-7023	SIDE PLATE AND SUPPORT SCREW	_____
3-7023	TOP COVER HINGE BRACKET SCREW, LOWER	_____
3-7026	SEGMENT OSCILLATOR PIVOT SCREW	_____
3-7027	SEGMENT SHIFT STOP SCREW	_____
3-7031	ESCAPEMENT WHEEL SCREW	_____
3-7032	SPRING DRUM SCREW	_____
3-7034	LINE SPACE LEVER SCREW	_____
3-7035	LINE SPACE LINK SCREW (O.S.)	_____
3-7041	SEGMENT PIVOT SCREW	_____
3-7043	ESCAPEMENT FIXED DOG FULCRUM SCREW	_____
3-7044	ESCAPEMENT STEPPING DOG SCREW	_____
3-7045	ESCAPEMENT BODY OPERATING SCREW	_____
3-7045	ESCAPEMENT BODY STOP SCREW	_____
3-7045	SHIFT OPERATING ARM DOWN STOP SCREW (O.S.)	_____
3-7045	SPACE KEY ESCAPEMENT BODY OPERATING SCREW	_____
3-7045	TABULATOR STOP RACK ADJUSTING SCREW (O.S. - SUP. BY 3-7078)	_____
3-7047	GRIP WIRE RELEASE LEVER BRACKET SCREW - DRUG LABEL PLATEN (SPECIAL EQUIPMENT)	_____
3-7047	LINE SPACE STOP SCREW (O.S. - SUP. BY 3-7095)	_____
3-7047	SEGMENT GUIDE ECCENTRIC SCREW	_____
3-7047	SHIFT LOCK LATCH STRIKE SCREW (O.S. - SUP. BY 3-7023)	_____
3-7047	TYPE BAR CUSHION BRACKET SCREW	_____
3-7047	TYPE BAR GUIDE SCREW	_____
3-7048	ESCAPEMENT BODY BELL CRANK SCREW (O.S. - SUP. BY 3-7090)	_____
3-7051	SHIFT LEVER ARM LINK SCREW	_____
3-7051	SHIFT LINK PIVOT SCREW (O.S.)	_____
3-7052	ALIGNING SCALE SCREW (FOR KEYBOARD #2585, #9 TYPE)	_____
3-7052	ALIGNING SCALE SCREW (O.S. - SUP. BY 3-7022)	_____
3-7054	RIBBON SHIFT SUPPORT BEARING SCREW	_____
3-7055	FRONT RAIL SCREW, FRONT	_____
3-7057	SEGMENT SHIFT BRACKET AND SUPPORT SCREW (O.S.)	_____
3-7059	TOP COVER HINGE BRACKET SCREW, UPPER	_____
3-7061	SPACE BAR SCREW	_____
3-7062	TABULATOR LETTER SPACING RACK RELEASE LEVER SCREW	_____
3-7063	CARRIAGE STOP SCREW (O.S. - SUP. BY 3-7091)	_____

REMINGTON PORTABLE TYPEWRITER
 MODELS AN, QR AND ER

PART NO.	DESCRIPTION	CABINET LOCATION
3-7064	FEED ROLL RELEASE LEVER SCREW (O.S.)	_____
3-7064	LETTER SPACING RACK RELEASE LEVER SCREW (O.S.)	_____
3-7065	BELL HAMMER SCREW (O.S.)	_____
3-7066	BACK SPACE BELL CRANK BRACKET SCREW	_____
3-7066	ESCAPEMENT BODY BRACKET SCREW	_____
3-7066	LINE LOCK ACTUATOR STOP ECCENTRIC SCREW	_____
3-7066	RIBBON CONTROL SHAFT LEVER STOP SCREW	_____
3-7066	SHIFT OPERATING SHAFT LOCKING PLATE SCREW	_____
3-7066	SPRING DRUM ASSEMBLED MOUNTING SCREW	_____
3-7067	BELL CRANK BRACKET SCREW	_____
3-7068	SPACE BAR PIVOT SCREW, RIGHT (O.S.)	_____
3-7070	TYPE BAR UNIVERSAL BAR AND ROCKER SCREW	_____
3-7071	LINE SPACE RATCHET DETENT RELEASE LEVER SCREW (O.S.)	_____
3-7072	FOOT PAD SCREW (O.S.)	_____
3-7072	REAR FOOT PAD SCREW - 10" CARRIAGE (O.S. - SUP. BY 3-7093)	_____
3-7073	PAPER BAIL ARM AND ROLL ROD SCREW	_____
3-7075	CARRIAGE RELEASE LEVER AND LETTER SPACING RACK SCREW (O.S.)	_____
3-7076	PLATEN HEAD SET SCREW, RIGHT	_____
3-7076	PLATEN KNOB SET SCREW (O.S.)	_____
3-7076	PLATEN KNOB SET SCREW, RIGHT	_____
3-7077	ESCAPEMENT BODY PIVOT SCREW	_____
3-7077	MARGIN RELEASE BRACKET SET SCREW	_____
3-7077	TYPE BAR UNIVERSAL BAR ROCKER PIVOT SCREW	_____
3-7078	TABULATOR SET AND CLEAR SHAFT ACTUATOR KEY STOP SCREW (O.S.)	_____
3-7078	TABULATOR STOP RACK ADJUSTING SCREW	_____
3-7079	CARRIAGE RAIL FRONT AND REAR, CENTER SCREW	_____
3-7080	CARRIAGE RAIL FRONT AND REAR, END SCREW	_____
3-7081	FEED ROLL RELEASE SHAFT COLLAR SET SCREW (O.S.)	_____
3-7081	LINE LOCK ACTUATOR STOP COLLAR SET SCREW - MACHINE WITHOUT TABULATOR (O.S.)	_____
3-7081	MARGIN RELEASE SHAFT STOP COLLAR SET SCREW (O.S.)	_____
3-7081	RIBBON ACTUATOR ARM HUB SET SCREW	_____
3-7081	RIBBON SPOOL RATCHET HUB SET SCREW	_____
3-7081	RIBBON SPOOL SHAFT TENSION SPRING COLLAR SET SCREW	_____
3-7082	FOOT PAD SCREW (REPAIR PART)	_____
3-7083	CARRIAGE LOCK LEVER SCREW - 10" CARRIAGE (O.S.)	_____
3-7085	TABULATOR STOP RACK MOUNTING SCREW	_____
3-7086	FEED ROLL SUPPORT ARM SET SCREW	_____
3-7086	FEED ROLL SUPPORT ARM STOP SET SCREW (O.S.)	_____
3-7086	TABULATOR STOP SET AND CLEAR SHAFT ACTUATING KEY SET SCREW	_____
3-7087	CARRIAGE STOP SCREW, RIGHT - OVERSIZE (O.S. - SUP. BY 3-7092)	_____
3-7089	SHIFT STOP SCREW (O.S. - SUP. BY 3-2008)	_____
3-7090	ESCAPEMENT BODY BELL CRANK SCREW	_____
3-7091	CARRIAGE STOP SCREW (O.S.)	_____
3-7092	CARRIAGE STOP SCREW, RIGHT - OVERSIZE (O.S.)	_____
3-7093	FOOT PAD SCREW, FRONT AND REAR	_____
3-7093	FRONT RAIL AND FRONT FOOT PAD SCREW - 10" CARRIAGE	_____
3-7094	PAPER SCALE PIVOT, RIGHT	_____
3-7095	LINE SPACE REGULATOR DETENT SCREW	_____
3-7096	RIGHT CARRIAGE END COVER SCREW, REAR	_____
3-7101	BACK SPACE KEY LEVER BELL CRANK RETAINING RING (O.S.)	_____
3-7101	CARRIAGE RELEASE LEVER RETAINING RING	_____
3-7101	CARRYING CASE MACHINE FRONT LOCK LATCH FULCRUM PIN RETAINING RING	_____
3-7101	FEED ROLL RELEASE LEVER RETAINING RING	_____
3-7101	LINE SPACE RATCHET DETENT ROLL ARM RELEASE LEVER RETAINING RING (O.S.)	_____
3-7101	MARGIN RELEASE CONNECTING WIRE CLIP RETAINING RING	_____

REMINGTON PORTABLE TYPEWRITER
MODELS AN, QR AND ER

PART NO.	DESCRIPTION	CABINET LOCATION
3-7101	RIBBON CONTROL BELL CRANK RETAINING RING	
3-7101	RIBBON REVERSE ACTUATOR LINK RETAINING RING	
3-7101	TABULATOR LETTER SPACING RACK RELEASE LINK RETAINING RING	
3-7103	BACK SPACE DOG BELL CRANK RETAINING RING	
3-7103	FEED ROLL SUPPORT ARM RETAINING RING (O.S.)	
3-7103	SHIFT LEVER SHAFT RETAINING RING	
3-7103	SPACE BAR SHAFT RETAINING RING	
3-7103	TABULATOR BELL CRANK RETAINING RING	
3-7103	TABULATOR STOP SET AND CLEAR FINGER LEVER RETAINING RING	
3-7105	MARGIN RELEASE CONNECTING WIRE CLIP	
3-7105	SPACE BAR LOCKING LINK (O.S.)	
3-7113	BELL HAMMER RETAINING RING	
3-7113	PAPER BAIL CONTROL LEVER SHAFT RETAINING RING	
3-7113	RIBBON CONTROL LEVER RETAINING RING	
3-7113	RIBBON UNIVERSAL BAR RETAINING RING	
3-7113	TOUCH CONTROL LEVER RETAINING RING	
3-7114	SHIFT LEVER SHAFT RETAINING RING (O.S. - SUP. BY 3-7103)	
3-7115	CLUTCH GEAR RETAINING RING (O.S. - SUP. BY 3-7122)	
3-7116	LINE SPACE REGULATOR DETENT KEEPER - 56 T. - HALF SPACE LINE SPACING (SPEC. EQUIP.) (O.S.)	
3-7118	KEY LEVER FULCRUM WIRE KEEPER (O.S. - SUP. BY 3-7121)	
3-7118	TYPE BAR BELL CRANK FULCRUM WIRE KEEPER (O.S. - SUP. BY 3-7121)	
3-7118	TYPE BAR FULCRUM WIRE KEEPER (O.S. - SUP. BY 3-7121)	
3-7119	SHIFT LINK KEEPER	
3-7120	TOP COVER NAME PLATE FASTENER (O.S.)	
3-7121	KEY LEVER FULCRUM WIRE KEEPER	
3-7121	TABULATOR STOP FULCRUM WIRE KEEPER	
3-7121	TYPE BAR BELL CRANK FULCRUM WIRE KEEPER	
3-7121	TYPE BAR FULCRUM WIRE KEEPER	
3-7122	PLATEN RATCHET RETAINING RING	
3-8005	CARRIAGE RELEASE LEVER FINGER PAD (O.S. - SUP. BY 3-8006)	
3-8005	FEED ROLL RELEASE LEVER FINGER PAD (O.S. - SUP. BY 3-8006)	
3-8005	LINE SPACE REGULATOR FINGER PAD (O.S.)	
3-8005	LINE SPACE RATCHET DETENT ROLL ARM RELEASE LEVER FINGER PAD	
3-8005	MANUAL RIBBON REVERSE ARM FINGER PAD	
3-8005	MARGIN STOP FINGER PAD (O.S.)	
3-8005	RIBBON CONTROL LEVER FINGER PAD	
3-8005	TABULATOR STOP SET AND CLEAR FINGER LEVER FINGER PAD	
3-8005	TOUCH CONTROL LEVER FINGER PAD	
3-8006	CARRIAGE RELEASE LEVER FINGER PAD	
3-8006	FEED ROLL RELEASE LEVER FINGER PAD	
3-9001	CARRIAGE DOWEL	
3-9005	TYPE BAR GUIDE DOWEL	
3-9009	CARRIAGE END COVER STUD	
3-9122	RIBBON CONTROL LINK PIVOT SCREW STUD	
3-9155	RIBBON CONTROL LEVER PIVOT STUD	
3-9192	LINE SPACE REGULATOR DETENT PIVOT STUD - 56 T. - HALF SPACE LINE SPAC. (SPEC. EQUIP.) (O.S.)	
3-9194	CARRYING CASE MACHINE FRONT LOCK LATCH FULCRUM PIN	
3-9197	LINE SPACE RATCHET DETENT RELEASE LEVER PIVOT STUD-56 T.-HALF SPACE LINE SPAC. (SPECIAL O.S.)	
3-9323	REAR COVER ASSEMBLED (FOREIGN ASSEMBLY PLANTS ONLY)	
3-9853	CARRYING CASE ASSEMBLED, COMPLETE (O.S. - SUP. BY 3-9856 & 3-9859)	
3-9856	CARRYING CASE ASSEMBLED - 11" CARRIAGE	
3-9859	CARRYING CASE ASSEMBLED - 10" CARRIAGE	
3-9946	CARRYING CASE MACHINE FRONT LOCK LATCH, RIGHT	
3-9947	CARRYING CASE MACHINE FRONT LOCK LATCH, LEFT	
3-9948	DESK MOUNT MACHINE FRONT LOCK BRACKET, RIGHT (SPECIAL EQUIPMENT)	

REMINGTON PORTABLE TYPEWRITER
 MODELS AN, QR AND ER

PART NO.	DESCRIPTION	CABINET LOCATION
3-9949	DESK MOUNT MACHINE FRONT LOCK BRACKET, LEFT (SPECIAL EQUIPMENT)	_____
3-9950	DESK MOUNT MACHINE REAR LOCK (SPECIAL EQUIPMENT) (O.S. - SUP. BY 3-9955)	_____
3-9955	DESK MOUNT MACHINE REAR LOCK (SPECIAL EQUIPMENT)	_____
3-9961	CARRYING CASE LOCK KEY	_____
4-10979	CARRIAGE STOP SCREW (O.S.)	_____
4-11258	PLATEN SPACER SHIM, RIGHT	_____
4-11745	PAPER SCALE SPRING ANCHOR	_____
4-11769	SPRING DRUM SCREW WASHER	_____
4-11800	CARRIAGE RELEASE LEVER PIVOT SCREW, LEFT	_____
2-40004	LINE SPACE RATCHET DETENT ROLL ARM SCREW	_____
2-40224	MANUAL RIBBON REVERSE ARM BRACKET SCREW	_____
2-40224	TABULATOR STOP SPRING COMB SUPPORT SCREW	_____
2-40260	RIBBON CONTROL LEVER STOP SCREW (ONE COLOR RIBBON MACHINES)	_____
2-40806	SEGMENT ROLLER RETAINER	_____
2-40904	CARRIAGE REAR COVER SPACER	_____
2-40936	SEGMENT OSCILLATOR SPACER WASHER, THICK	_____
2-40978	SEGMENT OSCILLATOR SPACER WASHER, THIN	_____
2-40997	FEED ROLL RELEASE LEVER SPRING WASHER (O.S. - SUP. BY 3-6081)	_____
2-46432	PLATEN CORE SCREW - DRUG LABEL PLATEN (SPECIAL EQUIPMENT)	_____
2-48045	RIBBON SPOOL SHAFT SUPPORT BRACKET SCREW, UPPER (O.S. - SUP. BY 3-7023)	_____
2-50004	TABULATOR STOP SET AND CLEAR LINK KEEPER	_____
2-50006	LINE LOCK LEVER RETAINING RING	_____
2-51940	KEY LEVER SPRING - FIRST, SECOND AND THIRD BANK	_____
2-51940	TABULATOR KEY LEVER SPRING	_____
2-51957	BACK SPACE KEY CAP - 44 KEY MACHINE (O.S. - SUP. BY 2-52015)	_____
2-51957	KEY LEVER KEY CAP - 42 AND 44 KEY MACHINES (SPECIFY CHARACTER) (O.S. - SUP. BY 2-52015)	_____
2-51957	MARGIN RELEASE KEY CAP - 44 KEY MACHINE (FOREIGN AND DOMESTIC) (O.S. - SUP. BY 2-52015)	_____
2-51957	SHIFT LOCK KEY CAP - 42 AND 44 KEY MACHINES (O.S. - SUP. BY 2-52015)	_____
2-51957	TABULATOR KEY CAP (O.S. - SUP. BY 2-52015)	_____
2-51958	SHIFT LEVER KEY CAP (O.S. - SUP. BY 2-52016)	_____
2-51960	BACK SPACE KEY CAP - 42 KEY MACHINE (O.S. - SUP. BY 2-52018)	_____
2-51960	MARGIN RELEASE KEY CAP - 42 KEY MACHINE (FOREIGN AND DOMESTIC) (O.S. - SUP. BY 2-52018)	_____
2-51967	MOLDED KEY CAP (SMALL SIZE) FOR SPECIAL CHARACTERS (O.S. - SUP. BY 2-52019)	_____
2-52015	BACK SPACE KEY CAP - 44 KEY MACHINE	_____
2-52015	KEY LEVER KEY CAP - 42 AND 44 KEY MACHINES (SPECIFY CHARACTER)	_____
2-52015	MARGIN RELEASE KEY CAP (FOREIGN AND DOMESTIC) 44 KEY MACHINE	_____
2-52015	SHIFT LOCK KEY CAP - 42 AND 44 KEY MACHINES	_____
2-52015	TABULATOR KEY CAP - 42 AND 44 KEY MACHINES	_____
2-52016	SHIFT LEVER KEY CAP - 42 AND 44 KEY MACHINES	_____
2-52018	BACK SPACE KEY CAP - 42 KEY MACHINE	_____
2-52018	MARGIN RELEASE KEY CAP (FOREIGN AND DOMESTIC) 42 KEY MACHINE	_____
2-52019	MOLDED KEY CAP (SMALL SIZE) FOR SPECIAL CHARACTERS	_____
2-55465	PAPER BAIL SCALE SCREW	_____