



# 2006 Dodge Caliber (PM)

## Remote Start System

### INSTALLATION INSTRUCTIONS

*Professional Installation Is Recommended*



***Warning! Remote Start Systems are only applicable to vehicles with automatic transmission!***

1030742  
REV. B  
3/06



#### Technical Support

For Authorized Dealers - (800) 34-MOPAR

Hours: 9:00 a.m. - 6:00 p.m. EST Monday thru Friday

10:00 a.m. - 2:00 p.m. EST Saturday

K6859402

## 2006 Dodge Caliber (PM) Remote Start Table of Contents

Vehicle Preparation.....	4
Module Preparation.....	6
Component Installation.....	7
System Programming.....	12
System Testing.....	16
Service Mode.....	16
Reassembly.....	17
Option Bank Chart.....	18
Troubleshooting.....	19
Changing Transmitter Batteries.....	19
System Layout.....	20

**The soldering procedure illustrated below must be followed when performing wire connections under the hood. Failure to use this procedure could result in improper performance of the remote start system.**



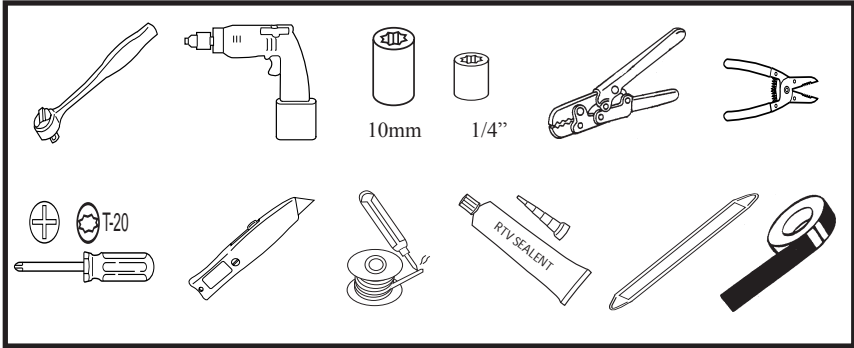
This product was manufactured in environmentally friendly manufacturing facility and may contain certain recycled materials. All materials meet or exceed original specifications for quality and reliability.

This device complies with part 15 of the FCC rules and with RSS-210 of the industry Canada. Operation is subject to the following two conditions: (1) this device may not cause harmful interference, and (2) this device must accept any interference received, including interference that may cause undesired operation.

## VEHICLE PREPARATION

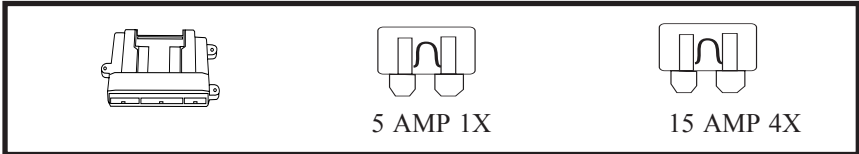
1. Lower one or more of the passenger windows so the keys do not get locked in the vehicle.
2. Disconnect and isolate the negative battery cable. The battery will need to be re-connected before programming.
3. Vehicle requires 2 valid Sentry Keys (if equipped) present at the time of installation.

## TOOLS REQUIRED

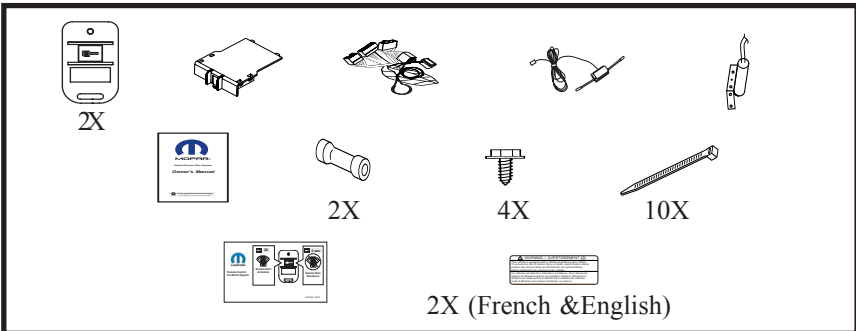


## PARTS REQUIRED

Part Number 82208859AB



Part Number 82209363AE



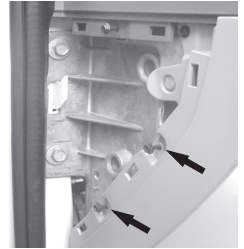
## Overview

The remote starter module harness will interface with the existing PM ignition switch connector, four center-splice connections, and a ground termination. Two wires will be routed through the cowl panel, to a hood-mounted safety switch and tachometer connection.

## Vehicle Preparation

**Remove driver's side lower dash panels, black plastic dash panel & steering column shroud.**

- A. Remove left dash panel using a panel removal tool. Remove (2) screws on left side of dash, behind panel.
- B. Remove (1) screw under lower dash.
- C. Remove the airbag cover panel by using a trim stick to release the catch tabs on the back side of the panel.
- D. Lift front of driver's step sill plate to remove left kick panel. Panel is held on by clips.



## Vehicle Preparation - continued

- E. Remove lower dash panel. Panel is held on by clips.
- F. Remove (4) screws from black plastic panel below steering column. Remove panel.



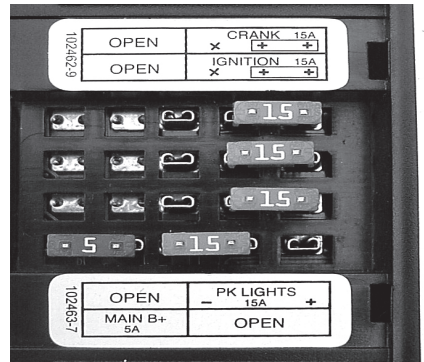
- G. Remove (3) screws from steering column shroud. Separate and remove steering column shroud.



## Module Preparation

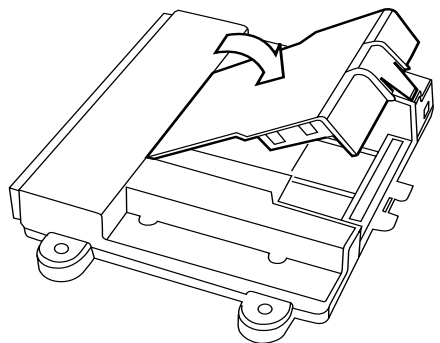
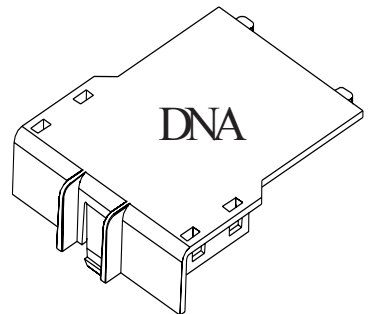
### Place fuses into the control module.

- A. Observe fuse amperage ratings. Place the 5 Amp fuse into the “Main B+” location. Populate the remaining fuse locations, as shown in the diagram, with the 15 Amp fuses. Make sure to populate the 15 amp fuse with the “open” fuse label on the module.



### Install DNA into the control module.

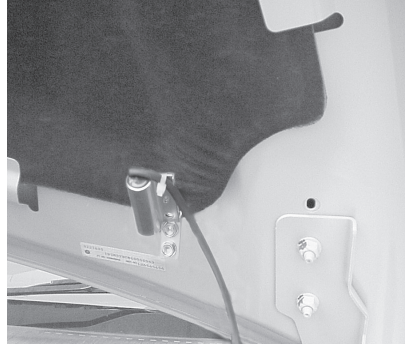
- B. Insert DNA into the control module.  
Ensure the DNA assembly snaps completely in place.



## Component Installation

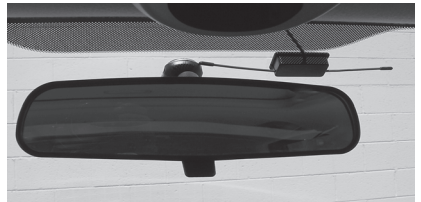
### **Install Hood Safety Switch.**

- A. Using (2) of the supplied 1/4" screws, secure hood safety switch on driver's side rear corner of hood per the diagram. **Note:** Wire exits top of switch. Switch must be bent at 45 degree angle.
  
- B. Using a supplied 1/4" screw, secure the ground lead from the switch to the metal cowl panel. The remaining wire will be connected later.
  
- C. Locate a visible area in the front of the engine compartment to mount the underhood warning sticker.



### **Install Dipole Antenna**

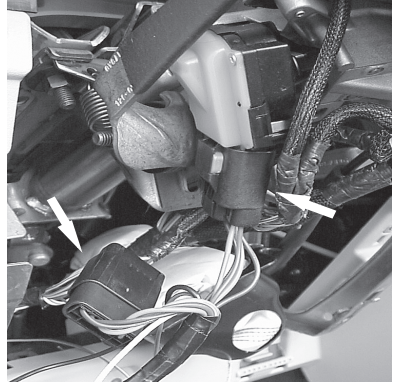
- D. Mount dipole antenna to the windshield above the rearview mirror and below the black windshield trim.
  
- E. Route the antenna wire above the headliner to the driver's A-pillar. Temporarily remove the A-pillar rubber gasket and run the antenna lead down through the left side dash opening. Replace the rubber gasket. Ensure the antenna is securely tucked above the headliner and is not visible along the entire length.



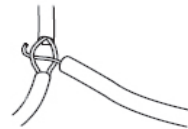
## Custom Harness Installation

### Ignition switch connector

- A. Locate ignition switch connector, directly behind the ignition switch. Release the secondary lock. While pushing on main release, remove connector from ignition switch.
- B. Connect the harness 5-way female connector to the vehicle's ignition switch.
- C. Connect the harness 5-way male connector to the vehicle's 5-way ignition connector previously removed from the ignition switch.



### Center-Splice Procedure



### Ground

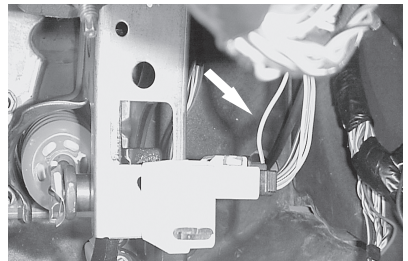
- D. Using a supplied 1/4" screw, secure the black ground wire with ring terminal to the metal under dash brace.

### Brake Connection

- E. Route the harness Dk Green/White wire to the brake switch. Center-splice to Dk Green/Grey wire in cavity #2 of the 6-way black brake connector.

**Caution: Keep wire away from exposed steering column!**

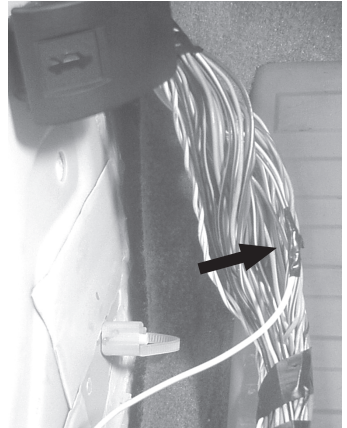
**Caution: Do not remove the brake lamp switch from the mounting bracket. If the switch is removed from the mounting bracket, it MUST be replaced with a new switch.**





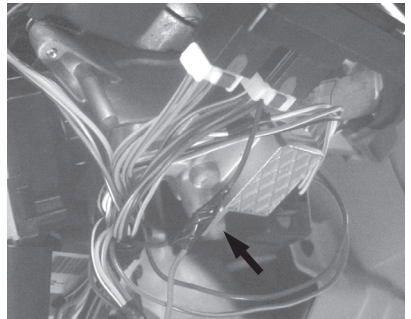
### Parking Light Connection

- F. Locate the White/Violet wire in harness, found low in the left kick panel area. Center-splice the harness White/Violet wire into this wire, following the center-splice procedure. This wire will show +12V when the parking lights are turned on.



### Horn Connection

- G. Locate the Dk Green/Violet wire in pin #3 of the 6-way white connector found underneath the steering column. Center-splice the harness Dk Green/Violet wire into this wire, following the center-splice procedure.



- H. Route the two remaining wires (Black/White and Grey) through the cowl panel and into the engine compartment through an existing grommet.

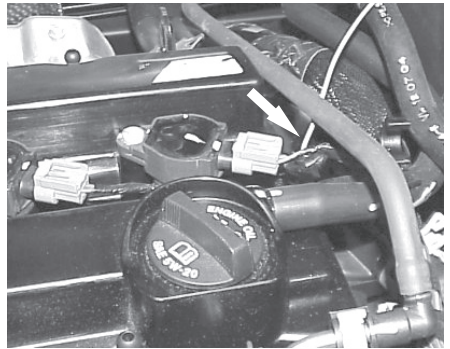
### Hood Switch Connection

- I. Connect the Black/White wire to the remaining wire from the hood safety switch. Solder the connection.



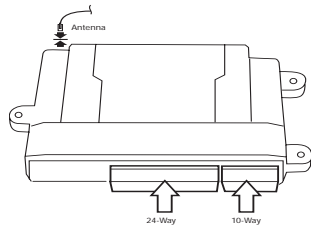
## Tach Connection

- J. Route the Grey wire to the top of the engine at the coil connection point as shown. Center-splice the harness Grey wire into the vehicle Dk Blue/Grey wire at the coil. Alternatively, choose any wire in cavity #2 of any of the coil connectors. Solder the connection.



## Control Module Connections

- K. Connect the 24-way and 10-way connectors into the PC-12 Remote Start module. Also, connect the 2-way antenna connector (on end opposite the main harness connections).





## System Programming

Notes:

1. Reconnect the negative battery terminal prior to programming.
2. Up to a total of 8 transmitters can be programmed into memory.
3. **Transmitters shipped with complete kits are pre-programmed to the DNA and do not need to be programmed at this time.**

### **Transmitter Programming**

- A. Make sure battery is connected.
- B. Close hood.
- C. Turn the ignition to the “on” position.
- D. Press and hold the programming button. *After 10 seconds the horn will chirp and the lights will flash 3 times indicating the system is now in transmitter learn mode. Note: If horn does not sound when the lights flash (or sounds inconsistently) turn “off” option 7 in option bank #1. See section 2, “Option Programming”.*
- E. Release the programming button.
- F. Press button on transmitter to be programmed. *The horn will chirp and the lights will flash 1 time indicating that the transmitter has been learned.*
- G. Repeat step F for additional transmitters.

### **Option Programming**

The remote start system has several installer programmable options which can be changed to accommodate different circumstances. In most cases, there will be no need to change any default settings. There will be cases (such as diesel vehicles), where the delay before crank option must be set.

Note:

Some vehicles require the horn pulse extend (option #7, option bank #1) to be turned to the “off” position for the horn to operate properly.

Note:

This system has 2 option banks. Bank 1 has 7 options, and Bank 2 has 2 options. Refer to the Option Bank Chart on page 18 for details.

- A. Follow the steps above to enter Transmitter Learn Mode.
- B. Press and release the programming button. *The horn will chirp and the lights will flash 4 times indicating the system has entered Option Bank 1.*

## Option Programming Continued

- C. Press and release the brake pedal. *The horn will chirp and the lights will flash 1 time indicating the system is at option 1.* Additional press and releases of the brake pedal will advance to the next option. *The horn will chirp and the lights will flash according to which option is selected (i.e. Two chirps and flashes indicates option 2).*
- D. Pressing the transmitter button changes the setting of the option. The status LED (located in the main harness approximately 4" from the module) indicates the setting of the option. LED "on" indicates the option is on, LED "off" indicates the option is off.
- E. Pressing and releasing the programming button again will put the system into Option Bank 2. *The horn will chirp and the lights will flash 5 times indicating the system has entered Option Bank 2.*
- F. Press and release the brake pedal to cycle through the options in Bank 2.

### Notes:

1. Once the system has reached the last option in a bank, pressing and releasing the brake pedal will return back to Option 1 in that bank.
2. Once the system has reached Option Bank 2, pressing and releasing the programming button will return back to Option Bank 1.
3. To reset options back to their default setting, while in option learn mode, push and hold the transmitter button until the horn chirps and lights flash 5 times.

## **Tach Rate Programming (Required for system to operate)**

- A. Close hood.
- B. Turn the ignition to the “on” position.
- C. Press and hold the programming button. *After 10 seconds the horn will chirp and the lights will flash 3 times.*
- D. Release the programming button.
- E. Press and release the programming button again. *The horn will chirp and the lights will flash 4 times indicating the system has entered Option Bank 1.*
- F. Press and release the programming button again. *The horn will chirp and the lights will flash 5 times indicating the system has entered Option Bank 2.*
- G. Advance to Option 2 by pressing and releasing the brake pedal 2 times. *The horn will chirp and the lights will flash 2 times indicating the system is at Option 2.*
- H. Start the vehicle with the key. *The horn will chirp and the lights will flash once approximately every 3 seconds indicating a valid tach signal.*
- I. Once the engine has settled to a normal idle speed, press and release the brake pedal to set the tach rate.
- J. Turn the ignition off.

Note:

If the system is not chirping the horn and flashing the lights every 3 seconds after the ignition has started, the system is not seeing a valid tach signal. Check your tach connection (Dk Blue/Grey at coil). Repeat the Tach Rate Programming procedure.

**Tach Rate Programming must be done before the SKREEM learn procedure.**

## **SKREEM Transponder Interface Programming.**

**2 programmed Sentry keys are required for this step!**

**NOTE: Review and understand steps A-J prior to performing.**

- A. Close hood.
- B. Insert one of the two valid Sentry Keys into the ignition switch and turn the ignition switch to the “on” position.
- C. After the ignition has been activated for more than 3 seconds (but no more than 15 seconds), cycle the ignition switch back to the “off” position. Remove the key and keep it at least 2 feet away from the ignition switch.
- D. Within 15 seconds of removing the first key, insert the second valid Sentry Key into the ignition switch and turn the ignition switch to the “on” position.
- E. Approximately 10 seconds after the ignition has been activated by the second Sentry Key, the dash theft-security light will start to flash, and a single audible chime (not the key-in-cylinder chime) will sound to indicate that the system has entered “Customer Learn” programming mode.
- F. Cycle the ignition switch back to the “off” position. Remove the key and keep it at least 2 feet away from the ignition switch. Theft-security light will turn off.
- G. Press and release the programming button located on the custom harness.
- H. Within 60 seconds, press the start button on the remote start transmitter **(2) times**.
- I. Approximately 10 seconds after completion of Step H, a single audible chime will sound and the theft-security light will stop flashing and stay on solid for 3 seconds, and then turn off to indicate that the SKREEM Interface module has been successfully programmed.
- J. The system will remote start the engine approximately 15 seconds after Step H. Press the brake pedal to shut down the remote start system.

Note:

In some vehicles, during the SKREEM Interface learn procedure, the vehicle will start and stall on the first remote start attempt. The second remote start attempt will be successful. This is a normal condition of the learn procedure. If the vehicle does not start, refer to the Troubleshooting guide on page 19.

**Once a SKREEM Interface Module has been programmed to a WCM/vehicle, it is permanently assigned to that WCM/vehicle and cannot be used on any other WCM/vehicle.**

## System Testing

Use the following checklist to ensure all features function as indicated.

- Remote start - Press start button 2X.
- Remote stop - Press and hold start button for 2 seconds.
- Hood safety switch shutdown - While under remote start, open hood - engine should shut down.
- Brake safety shutdown - While under remote start, press brake - engine should shut down
- Key-in-sense circuit - With key in the ignition cylinder, remote start should not activate.
- Overrev shutdown - While under remote start, press accelerator - system should shut down at 3X idle.
- Service Mode - With ignition turned on with key, press remote start button 3X. Repeat to exit Service Mode.
- Heater/Air Conditioning - Ensure Heater/AC works during remote start.

## Service Mode

**Service mode is used whenever it is necessary to disable the remote start feature, such as during vehicle service. The vehicle will not start by remote if Service mode is activated.**

### **Entering Service mode**

- A. Turn ignition on with the key.
- B. Press the start button on the remote transmitter 3 times. *2 seconds later, the horn will chirp and the lights will flash 3 times, indicating the system is in Service mode.*
- C. While in Service mode, whenever a remote start attempt is made, the horn will chirp and the lights will flash 3 times alerting the user that the system is in Service mode.

### **Exiting Service mode**

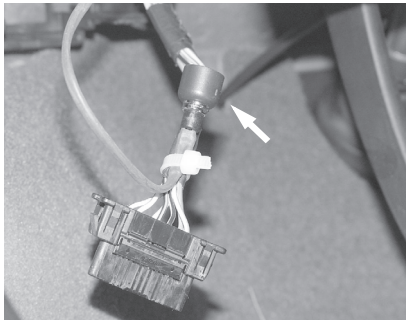
- A. Turn ignition on with the key.
- B. Press the start button on the remote transmitter 3 times. *2 seconds later, the horn will chirp and the lights will flash 1 time, indicating the system has exited Service mode.*



## **Reassembly**

### **Module & Harness mounting**

- A. **Disconnect battery (if air bag equipped).**
- B. Using supplied wire ties, secure the remote start module to existing wire harnesses under the left side of the dash.
- C. Using supplied wire ties, secure the SKREEM Interface module to an existing wire harness under the dash.
- D. Using supplied wire ties, secure the main harness and SKREEM Interface harnesses to existing wire harnesses under the dash. Ensure no wires will become entangled in the steering column knuckle and that they are not visible to vehicle occupants.
- E. Using a supplied wire tie, secure the programming button to the harness leading to the vehicle's diagnostic connector. Consistency in mounting this switch in the same place every time, will make it easier to find in case the system comes back for service. Also, the dash will not have to be disassembled to access it.



### **Dash reassembly**

- A. Reverse the dash disassembly procedure.

### **Re-connect Battery**

## Option Bank Chart

---

**Option Bank #1 (4 chirps)****Factory Setting**

---

1. Not used  
Reserved for future upgrade feature..... .On
2. Not used  
Reserved for future upgrade feature..... .On
3. Tach diagnostic mode  
This feature should only be used for troubleshooting  
purposes only!.....Off
4. Car start run time  
LED “on” - 15 minutes, LED “off” - 10 minutes.....Off
5. Not used  
Reserved for future upgrade feature.....Off
6. Diesel timer  
Delays crank attempt 30 seconds after ignition on.....Off
7. Horn pulse short/long  
LED “on” - Short output, LED “off” - Long output.....On

---

**Option Bank #2 (5 chirps)****Factory Setting**

---

1. Key-in-sense polarity  
LED “on” - Positive, LED “off” - Negative.....Off
2. Learn tachometer  
Horn will chirp every 3 seconds, press brake to set idle speed.

## **Troubleshooting**

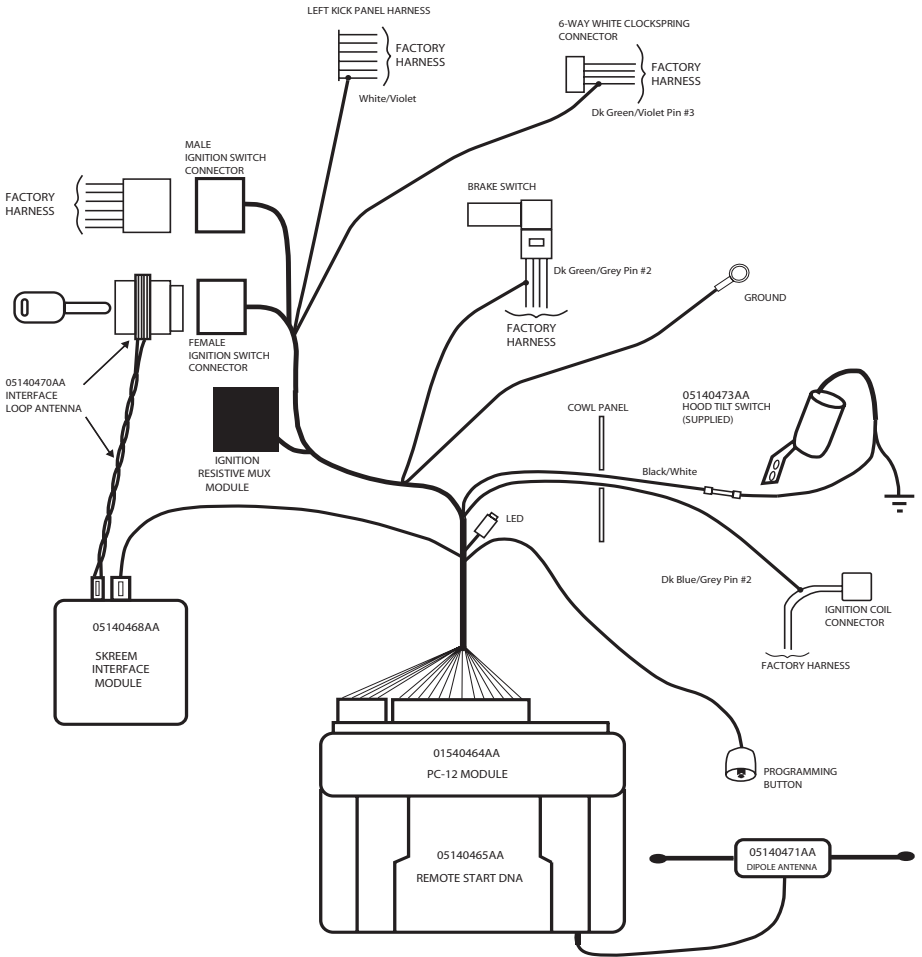
- 1. Horn honks 4 times & vehicle does not start - no tach learned.**
  - A. Ensure good connection at tach wire.
  - B. Re-program tach (see page 14).
- 2. Starter cranks too long.**
  - A. Re-program tach - allow vehicle to come to a low idle during tach learn procedure.
- 3. Ignition turns on, then horn honks 2 times & vehicle does not start - Key-in-sense circuit activated.**
  - A. Remove key from ignition cylinder.
  - B. Key-in-sense polarity set incorrectly. Program for negative input (see option bank chart page 18).
- 4. Horn honks 2 times & vehicle does not start - safety input activated.**
  - A. Ensure hood is closed.
  - B. Ensure hood switch is grounded and has a good connection.
  - C. Ensure brake switch is not depressed.
  - D. Ensure brake switch wire is connected to correct vehicle wire.
- 5. Horn honks 3 times & vehicle does not start - Service Mode engaged.**
  - A. Disengage service mode (see page 16).
- 6. Vehicle starts then stalls - SKREEM Interface not learned.**
  - A. Ensure 2 and 4 way connectors are connected
  - B. Ensure antenna coil is wrapped tightly around the ignition cylinder SKREEM antenna ring.
  - C. Re-learn SKREEM Interface module (see page 15).
- 7. Horn honks 8 times & vehicle does not start - Safety feature - vehicle will only remote start 8 consecutive times until the vehicle key is used.**
  - A. Start vehicle with the ignition key to reset.

## **Changing the Remote Control Battery; Mopar part # 05140773AA:**

1. With a small flathead screwdriver, carefully pry the two halves of the remote transmitter apart.
2. Gently pry the transmitter circuit board out of the case.
3. Slide the black battery holder out of the bottom of the circuit board. Do not lose the black battery holder.
4. Remove the old batteries and replace with new ones. Observe the (+) and (-) signs when removing the old batteries.
5. Gently snap the circuit board back into the transmitter case.
6. Carefully snap the case halves back together, then test the remote control.

**It is not necessary to re-program the remote control after changing the batteries.**

# DODGE CALIBER (PM) SYSTEM LAYOUT





# Dodge Caliber (PM) 2006

## Système de démarrage à distance

### NOTICE D'INSTALLATION

*Installation par un spécialiste conseillée*



***Attention ! Les systèmes de démarrage à distance s'appliquent uniquement aux véhicules à transmission automatique !***



#### Assistance technique

Pour obtenir la liste des concessionnaires agréés - (800) 34-MOPAR

Horaires :

**de 9h00 à 16h00, heure de New York, du lundi au vendredi**

**de 10h00 à 14h00, heure de New York, le samedi**

# Démarrage à distance de la Dodge Caliber (PM) 2006

## Table des matières

Préparation du véhicule.....	24
Préparation du module.....	26
Installation des composants.....	27
Programmation du système.....	32
Test du système.....	36
Mode Service.....	36
Remontage.....	37
Tableau des séries d'options.....	38
Recherche des pannes.....	39
Changer les piles de l'émetteur.....	39
Organigramme du système .....	40

**Il est impératif de suivre la procédure de soudure illustrée ci-dessous lorsque vous effectuez des câblages sous le capot. Ne pas suivre cette procédure pourrait entraîner un mauvais fonctionnement du système de démarrage à distance.**



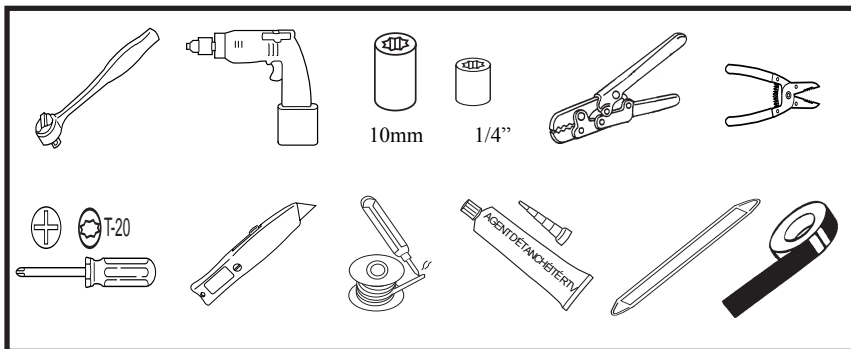
Ce produit a été fabriqué dans une unité de production sans danger pour l'environnement et pourra contenir certains matériaux recyclés. Tous les matériaux utilisés satisfont ou excèdent les spécifications d'origine en matière de qualité et de fiabilité.

Ce dispositif est conforme à la partie 15 du Règlement de la FCC et au RSS-210 d'Industrie Canada. L'utilisation est soumise aux deux conditions suivantes : (1) Ce dispositif ne doit pas émettre de brouillage nuisible et (2) il doit accepter toute interférence reçue, y compris celles susceptibles de provoquer un fonctionnement indésirable.

## PRÉPARATION DU VÉHICULE

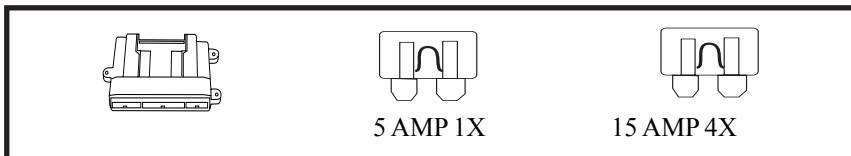
1. Baissez une ou plusieurs des vitres des passagers de manière à ce que les clés ne puissent pas rester enfermées à l'intérieur du véhicule.
2. Débranchez et isolez le fil négatif de la batterie. La batterie devra être rebranchée avant la programmation.
3. Le véhicule nécessite 2 clés codées Sentry Key valides (s'il en est équipé) au moment de l'installation.

## OUTILS REQUIS

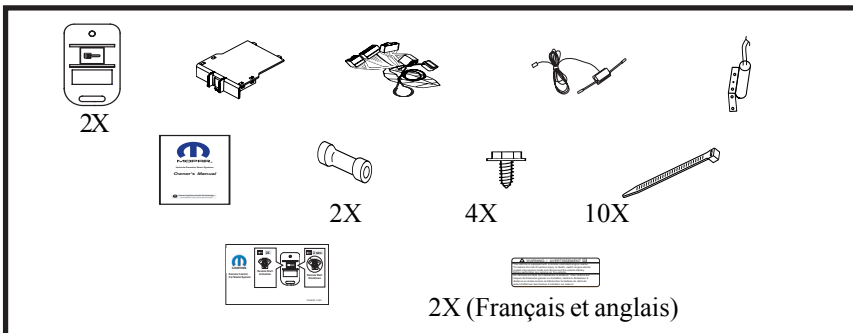


## PIÈCES REQUISES

### Pièce numéro 82208859AB



### Pièce numéro 82209363AE



## Aperçu

Le faisceau du module du démarreur à distance interfacera avec le connecteur du contacteur d'allumage existant du PM, quatre connexions par épissure centrale et une mise à la masse. Deux fils seront acheminés à travers le panneau d'auvent, vers un interrupteur de sécurité monté sur le capot et la connexion du tachymètre.

## Préparation du véhicule

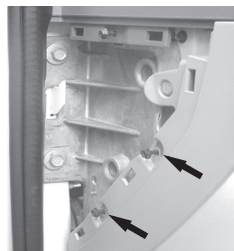
**Côté conducteur, retirez les panneaux de tableau de bord inférieurs, le panneau de tableau de bord en plastique noir et la gaine de la colonne de direction.**

A. Retirez le panneau de tableau de bord gauche au moyen d'un outil de dépose de panneaux. Retirez (2) vis sur la partie gauche du tableau de bord, derrière le panneau.

B. Retirez (1) une vis sous le tableau de bord inférieur.

C. Retirez le cache de l'airbag au moyen d'une baguette pour habillage en plastique de manière à libérer les languettes de verrouillage à l'arrière du panneau.

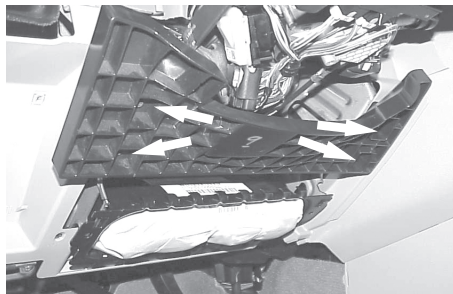
D. Soulevez le marchepied avant du conducteur pour retirer le panneau de seuil de porte gauche. Le panneau est retenu par des clips.





## Préparation du véhicule, suite

- E. Retirez le panneau de tableau de bord inférieur. Le panneau est retenu par des clips.
- F. Retirez (4) vis du panneau en plastique noir situé sous la colonne de direction. Retirez le panneau.



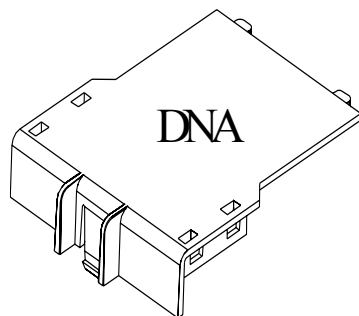
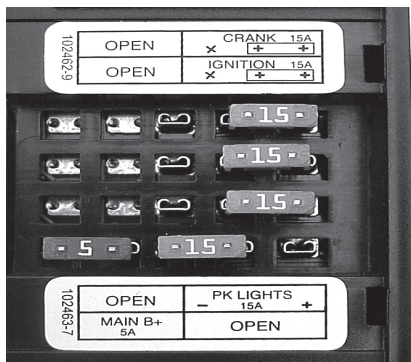
- G. Retirez (3) vis de la gaine de la colonne de direction. Ouvrez et retirez la gaine de la colonne de direction.



## Préparation du module

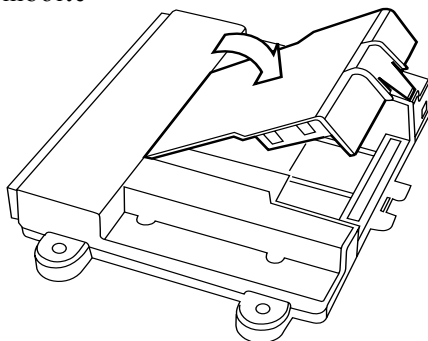
### **Placez les fusibles dans le module de commande.**

A. Respectez les calibres en ampères des fusibles. Placez le fusible de 5 A à l'emplacement portant la mention « Main B+ » (B+ principal). Remplissez les logements restants, comme le montre le schéma, avec les fusibles de 15 A. Assurez-vous de mettre un fusible de 15 A dans le logement portant l'étiquette « open » sur le module.



### **Installez l'ADN dans le module de commande**

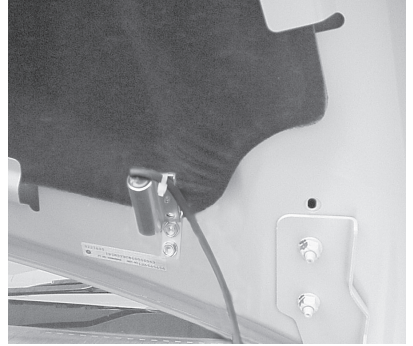
B. Introduisez l'ADN dans le module de commande. Veillez à ce que le bloc ADN s'emboîte complètement.



## Installation des composants

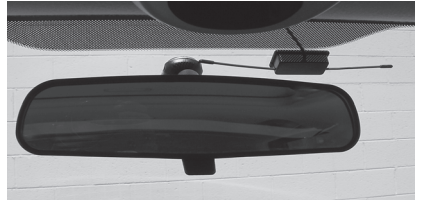
### **Installez l'interrupteur de sécurité du capot.**

- A. À l'aide de (2) des vis de 1/4" fournies, fixez l'interrupteur de sécurité du capot sur le coin arrière du capot côté conducteur, comme le montre le schéma. **Remarque** : Le fil sort par le sommet de l'interrupteur. L'interrupteur doit être incliné à un angle de 45 degrés.
- B. À l'aide d'une des vis de 1/4" fournies, fixez le fil de masse provenant de l'interrupteur au panneau d'auvent métallique. Le fil restant sera branché ultérieurement.
- C. Repérez un emplacement visible à l'avant du compartiment moteur où mettre l'autocollant d'avertissement à poser sous le capot.



### **Installez l'antenne dipôle**

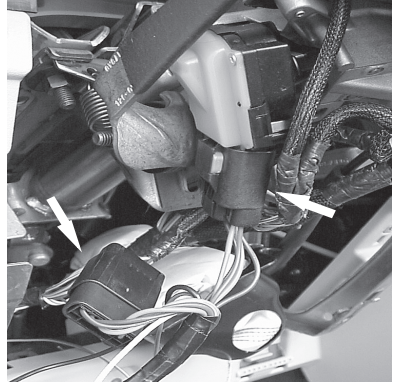
- D. Posez l'antenne dipôle sur le pare-brise, au-dessus du rétroviseur et au-dessous de la garniture noire du pare-brise.
- E. Acheminez le fil de l'antenne au-dessus de la garniture de pavillon jusqu'au montant du pare-brise côté conducteur. Retirez provisoirement la garniture en caoutchouc du montant du pare-brise et faites descendre le fil de l'antenne à travers l'ouverture située sur le côté gauche du tableau de bord. Remplacez la garniture en caoutchouc. Assurez-vous que l'antenne est bien rentrée au-dessus de la garniture de pavillon et qu'elle est invisible sur toute sa longueur.



## Installation du faisceau personnalisé

### Connecteur du contacteur d'allumage

- A. Localisez le connecteur du contacteur d'allumage situé directement derrière le contacteur d'allumage. Libérez le verrouillage secondaire. Tout en poussant sur le bouton de déverrouillage principal, retirez le connecteur du contacteur d'allumage.
- B. Reliez le connecteur femelle à 5 broches du faisceau au contacteur d'allumage du véhicule.
- C. Reliez le connecteur mâle à 5 broches du faisceau au connecteur d'allumage à 5 broches du véhicule que vous aviez précédemment retiré du contacteur d'allumage.



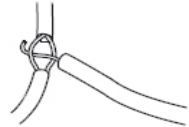
### Masse

- D. À l'aide d'une des vis de 1/4" fournies, fixez le fil de masse noir terminé par une cosse à ceillet au support métallique situé sous le tableau de bord.

### Procédure d'épissure centrale

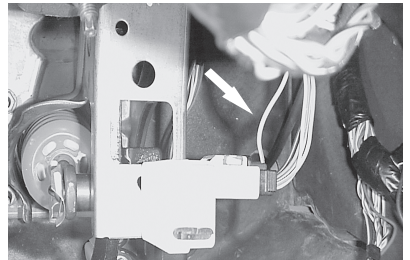
### Connexion du frein

- E. Acheminez le fil vert foncé/blanc jusqu'à l'interrupteur du frein. Connectez par épissure centrale au fil vert foncé/gris de l'alvéole n° 2 du connecteur du frein noir à 6 broches.



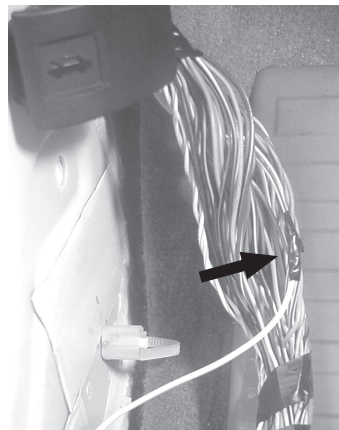
**Mise en garde : Tenir le fil éloigné de la colonne de direction dénudée !**

**Mise en garde : Ne pas retirer l'interrupteur du feu de freinage du support de montage. Si l'interrupteur est retiré du support de montage, il doit impérativement être remplacé par un nouvel interrupteur.**



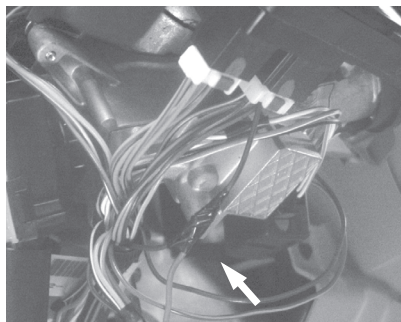
### Connexion des feux de position

F. Localisez le fil blanc/violet du faisceau, situé en bas, près du panneau de seuil de porte gauche. Connectez par épissure centrale le fil blanc/violet du faisceau à ce fil en suivant la procédure d'épissure centrale. Ce fil affiche une tension de +12 volts lorsque l'on allume les feux de position.



### Connexion du klaxon

G. Localisez le fil vert foncé/violet de l'alvéole n° 3 du connecteur blanc à 6 broches situé sous la colonne de direction. Connectez par épissure centrale le fil vert foncé/violet du faisceau à ce fil en suivant la procédure d'épissure centrale.



H. Acheminez les deux fils restants (noir/blanc et gris) à travers le panneau d'auvent et jusqu'au compartiment moteur à travers un passe-fils existant.

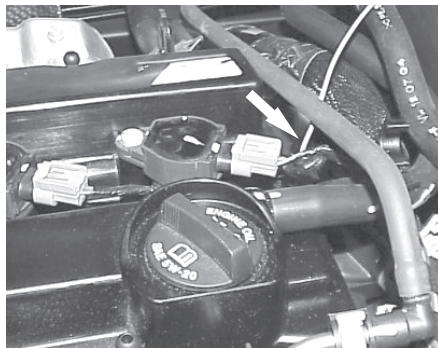
### Connexion de l'interrupteur du capot

I. Reliez le fil noir/blanc au fil restant provenant de l'interrupteur de sécurité du capot. Soudez la connexion.



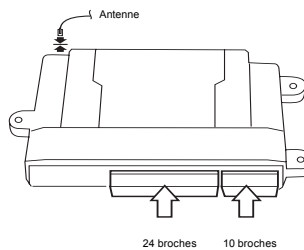
## Connexion du tachymètre

J. Acheminez le fil gris jusqu'au sommet du moteur au point de raccordement de la bobine, comme illustré. Connectez par épissure centrale le fil gris du faisceau au fil bleu foncé/gris au niveau de la bobine. Alternativement, choisissez n'importe quel fil de l'alvéole n° 2 provenant de n'importe quel connecteur de la bobine. Soudez la connexion.



## Connexions du module de commande

K. Branchez les connecteurs à 24 et à 10 broches sur le module de démarrage à distance PC-12. Branchez également le connecteur de l'antenne à 2 broches (à l'extrémité opposée aux connexions du faisceau principal).



## Installez l'interface SKREEM

- A. Retirez la vis maintenant le module SKREEM au cylindre d'allumage. Débranchez et retirez l'assemblage du cylindre d'allumage en faisant coulisser.
- B. En suivant les instructions de l'ampoule d'adhésif d'apprêt fournie, appliquez une fine couche d'apprêt sur l'intégralité de la bobine de l'antenne de l'émetteur-récepteur SKREEM. Laissez sécher l'apprêt 5 minutes avant de passer à l'étape suivante.

**Remarque : Utiliser des lunettes de protection et des gants pour vous protéger de tout contact accidentel.**

- C. Retirez le support de l'une des faces du ruban adhésif double face fourni et enroulez le ruban adhésif autour de la bobine de l'antenne de l'émetteur-récepteur SKREEM.
- D. Retirez le support restant du ruban adhésif et positionnez la boucle de l'antenne sur le ruban adhésif entourant la bobine de l'antenne de l'émetteur-récepteur SKREEM, la face striée faisant face au logement de la clé. Appuyez bien sur la bobine de l'antenne pour assurer une bonne adhérence.
- E. À l'aide d'une des attaches autobloquantes fournies, fixez la bobine de l'antenne.
- F. Réinstallez le module SKREEM sur le cylindre d'allumage et fixez-le au moyen de la vis. Veillez à bien rebrancher le connecteur sur le module SKREEM.



## Programmation du système

Remarques :

1. Rebrancher la borne négative de la batterie avant d'effectuer la programmation.
2. Il est possible de programmer un total de 8 émetteurs.
3. **Les émetteurs livrés avec des troussees complètes sont préprogrammés sur l'ADN et ne nécessitent aucune programmation pour l'instant.**

### **Programmation de l'émetteur.**

- A. Assurez-vous que la batterie est branchée.
- B. Fermez le capot.
- C. Tournez la clé jusqu'à la position « ON ».
- D. Pressez et maintenez enfoncé le bouton de programmation. *Au bout de 10 secondes, le klaxon émet 3 avertissements sonores et les phares clignotent 3 fois pour indiquer que le système se trouve en mode d'enregistrement d'émetteur. Remarque : Si le klaxon ne retentit pas lorsque les phares clignotent (ou s'il retentit de manière incohérente), désactivez l'option n° 7 de la 1<sup>ère</sup> série d'options. Voir la rubrique 2, « Programmation des options ».*
- E. Relâchez le bouton de programmation.
- F. Pressez la touche de l'émetteur à programmer. *Le klaxon retentit et les phares clignotent 1 fois pour indiquer que l'émetteur a été enregistré.*
- G. Répétez l'étape F pour chaque émetteur supplémentaire.

### **Programmation des options.**

Le système de démarrage à distance comporte plusieurs options programmables par l'utilisateur qui peuvent être modifiées selon la situation. La plupart du temps il ne sera pas utile de modifier les réglages de l'usine. Dans certains cas pourtant, comme avec les véhicules diesel, il faudra sélectionner l'option de retard de lancement.

Remarque :

Sur certains véhicules l'augmentation du nombre d'avertissements sonores (option n° 7, 1<sup>ère</sup> série d'options) devra être désactivée pour que le klaxon fonctionne correctement.

Remarque :

Ce système dispose de 2 séries d'options. La 1<sup>ère</sup> série comporte 7 options et la 2<sup>e</sup> série, 2 options. Se reporter au tableau des séries d'options page 38 pour en savoir plus.

- A. Suivez les étapes ci-dessus pour accéder au mode d'enregistrement d'émetteur.
- B. Pressez et maintenez enfoncé le bouton de programmation. *Le klaxon émet 4 avertissements sonores et les phares clignotent 4 fois pour indiquer que le système se trouve sur la 1<sup>ère</sup> série d'options.*



## Programmation des options, suite

- C. Appuyez sur la pédale de frein puis relâchez-la. *Le klaxon retentit et les phares clignotent 1 fois pour indiquer que le système se trouve sur l'option n° 1.* Appuyez sur la pédale de frein et relâchez-la pour avancer jusqu'à l'option suivante. *Le klaxon retentit et les phares clignotent le nombre de fois correspondant au numéro de l'option (ex. : 2 avertissements sonores et 2 clignotements pour l'option n° 2).*
- D. Une pression sur la touche de l'émetteur modifie le réglage de l'option. Le DEL d'état (situé sur le faisceau principal, à 10 cm environ du module) indique le réglage choisi. Le DEL allumé indique que l'option est activée, Le DEL éteint indique que l'option n'est pas activée.
- E. Une seconde pression sur le bouton de programmation place le système sur la 2<sup>e</sup> série d'options. *Le klaxon émet 5 avertissements sonores et les phares clignotent 5 fois pour indiquer que le système se trouve sur la 2<sup>e</sup> série d'options.*
- F. Appuyez sur la pédale de frein et relâchez-la autant de fois qu'il y a d'options pour faire le tour des options de la 2<sup>e</sup> série d'options.

### Remarques :

1. Lorsque le système est parvenu à la dernière option d'une série, appuyer sur la pédale de frein et la relâcher revient à la première option de la série.
2. Lorsque le système est parvenu à la 2<sup>e</sup> série d'options, une pression sur le bouton de programmation revient à la 1<sup>ère</sup> série d'options.
3. Pour revenir au réglage de l'usine des options : en mode d'enregistrement des options, appuyer sur le bouton de programmation jusqu'à ce que le klaxon émette 5 avertissements sonores et que les phares clignotent 5 fois.

## **Programmation de la vitesse du tachymètre (indispensable au fonctionnement du système).**

- A. Fermez le capot.
- B. Tournez le contact jusqu'à la position « ON ».
- C. Pressez et maintenez enfoncé le bouton de programmation. *Dans un délai de 10 secondes, le klaxon émet 3 avertissements et les phares clignotent 3 fois.*
- D. Relâchez le bouton de programmation.
- E. Pressez et maintenez enfoncé une nouvelle fois le bouton de programmation. *Le klaxon émet 4 avertissements sonores et les phares clignotent 4 fois pour indiquer que le système se trouve sur la 1<sup>ère</sup> série d'options.*
- F. Pressez et maintenez enfoncé une nouvelle fois le bouton de programmation. *Le klaxon émet 5 avertissements sonores et les phares clignotent 5 fois pour indiquer que le système se trouve sur la 2<sup>e</sup> série d'options.*
- G. Avancez jusqu'à l'option n° 2 en appuyant sur la pédale de frein puis en la relâchant 2 fois. *Le klaxon émet 2 avertissements sonores et les phares clignotent 2 fois pour indiquer que le système se trouve sur l'option n° 2.*
- H. Faites démarrer le véhicule avec la clé. *Le klaxon retentit et les phares clignotent une fois toutes les 3 secondes environ pour indiquer que le signal du tachymètre est valable.*
- I. Une fois que le moteur tourne à une vitesse de ralenti normale, appuyez sur la pédale de frein puis relâchez-la pour enregistrer le réglage de la vitesse du tachymètre.
- J. Coupez le contact.

Remarque :

Si le système ne fait pas retentir le klaxon et clignoter les phares toutes les 3 secondes après la mise du contact, c'est qu'il ne détecte pas de signal de tachymètre valable. Vérifier la connexion du tachymètre (noir/gris au niveau de la bobine). Répéter la procédure de programmation de la vitesse du tachymètre.

**La programmation de la vitesse du tachymètre doit être effectuée avant l'enregistrement de l'interface SKREEM.**

## **Programmation de l'interface du transpondeur SKREEM. 2 clés codées Sentry Key sont requises pour cette étape !**

### **REMARQUE : étudier et bien comprendre les étapes A à J avant de commencer.**

- A. Fermez le capot.
- B. Introduisez l'une des deux clés codées Sentry Key valides dans le cylindre d'allumage et tournez le contacteur d'allumage jusqu'à la position « ON ».
- C. Lorsque le contact est mis depuis plus de 3 secondes (mais moins de 15 secondes), tournez de nouveau la clé jusqu'à la position « OFF ». Retirez la clé et tenez-la à une distance d'au moins à 60 cm du contacteur d'allumage.
- D. Dans un délai de 15 secondes après avoir retiré la première clé, introduisez la seconde clé codée Sentry Key valide dans le contacteur d'allumage et tournez-la jusqu'à la position « ON ».
- E. 10 secondes environ après la mise du contact au moyen de la seconde clé codée Sentry Key, le voyant de sécurité antivol du tableau de bord se met à clignoter et une tonalité unique (différente de celle signalant que la clé se trouve dans le cylindre d'allumage) retentit pour indiquer que le système se trouve en mode de programmation « enregistrement client ».
- F. Tournez de nouveau la clé de contact jusqu'à la position « OFF ». Retirez la clé et tenez-la à une distance d'au moins à 60 cm du contacteur d'allumage. Le voyant de sécurité antivol s'éteint.
- G. Pressez et maintenez enfoncé le bouton de programmation situé sur le faisceau personnalisé.
- H. Dans un délai de 60 secondes, pressez la touche démarrage de la télécommande de démarrage à distance **(2) fois**.
- I. 10 secondes environ après avoir effectué l'étape H, une tonalité unique retentira et le voyant de sécurité antivol cessera de clignoter et restera allumé pendant 3 secondes avant de s'éteindre pour indiquer que la programmation du module d'interface SKREEM a réussi.
- J. Le système fera démarrer le moteur environ 15 secondes après l'étape H. Appuyez sur la pédale de frein pour éteindre le système de démarrage à distance.

Remarque :

Sur certains véhicules, lors de l'enregistrement de l'interface SKREEM, le moteur démarre et cale à la première tentative de démarrage à distance. La deuxième tentative de démarrage à distance sera la bonne. Il s'agit d'un phénomène normal lors de l'enregistrement. Si le véhicule ne démarre pas, se reporter au guide de recherche des pannes page 39.

**Une fois qu'un module d'interface SKREEM a été programmé pour un WCM/véhicule, il lui est associé de manière permanente et ne peut pas être utilisé avec un autre WCM/véhicule.**

## Test du système

**Utilisez la liste de contrôle suivante pour vous assurer que toutes les fonctionnalités fonctionnent comme indiqué.**

- Démarrage à distance – Pressez la touche démarrage 2X.
- Arrêt à distance – Pressez la touche démarrage pendant 2 secondes.
- Arrêt au moyen de l'interrupteur de sécurité du capot – Lors du démarrage à distance ouvrez le capot, le moteur devrait s'arrêter.
- Arrêt de sûreté au moyen du frein – Lors du démarrage à distance appuyez sur le frein, le moteur devrait s'arrêter.
- Circuit de détection de la mise du contact – Lorsque la clé se trouve dans le cylindre d'allumage le démarrage à distance ne devrait pas s'activer.
- Arrêt lors d'une montée en régime trop importante – Lors du démarrage à distance appuyez sur l'accélérateur, le système devrait s'arrêter à 3X la vitesse de ralenti.
- Mode Service – Après avoir mis le contact avec la clé, appuyez sur la touche démarrage à distance 3X. Répétez pour quitter le mode Service.
- Chauffage/Climatisation – Assurez-vous que le chauffage/la climatisation fonctionnent lors du démarrage à distance.

## **Mode Service**

**Le mode Service est utilisé chaque fois qu'il faut désactiver l'option de démarrage à distance, pour des réparations par exemple. Le véhicule ne démarrera pas à distance si le mode Service est activé.**

### **Enclencher le mode Service**

- A. Mettez le contact avec la clé.
- B. Pressez la touche démarrage de l'émetteur à distance 3 fois. *Au bout de 2 secondes, le klaxon émet 3 avertissements sonores et les phares clignotent 3 fois pour indiquer que le système est en mode Service.*
- C. En mode Service, chaque tentative de démarrage à distance fait retentir le klaxon et clignoter les phares 3 fois pour alerter l'utilisateur que le système est en mode Service.

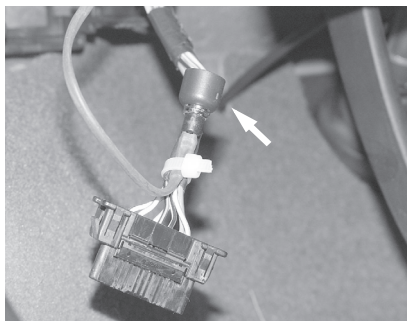
### **Quitter le mode Service**

- A. Mettez le contact avec la clé.
- B. Pressez la touche démarrage de l'émetteur à distance 3 fois. *Au bout de 2 secondes, le klaxon retentit et les phares clignotent 1 fois pour indiquer que le système a quitté le mode Service.*

## **Remontage**

### **Montage du module et du faisceau.**

- A. **Débranchez la batterie (si le véhicule est équipé d'airbags).**
- B. À l'aide des attaches autobloquantes fournies, fixez le module de démarrage à distance aux faisceaux existants situés sous la partie gauche du tableau de bord.
- C. À l'aide des attaches autobloquantes fournies, fixez le module d'interface SKREEM à un faisceau existant situé sous le tableau de bord.
- D. À l'aide des attaches autobloquantes fournies, fixez le faisceau principal et les faisceaux de l'interface SKREEM aux faisceaux de fils existants situés sous le tableau de bord. Veillez à ce qu'aucun fil ne s'emmêle dans le joint d'articulation de la colonne de direction et que ceux-ci ne soient pas visibles des occupants du véhicule.
- E. À l'aide d'une des attaches autobloquantes fournies, fixez le bouton de programmation au faisceau menant au connecteur de l'appareil de diagnostic du véhicule. Poser cet interrupteur au même emplacement chaque fois le rendra plus facile à trouver au cas où le système serait envoyé à réparer. Il ne sera pas non plus nécessaire de démonter le tableau de bord pour y accéder.



### **Remontage du tableau de bord.**

- A. Reprenez en sens inverse la procédure de démontage du tableau de bord.

### **Rebranchez la batterie**

## Tableau des séries d'options

---

<b>1<sup>ère</sup> série d'options (4 avertissements sonores)</b>	<b>Réglage de l'usine</b>
1. Non utilisé Réservé à une option de mise à niveau future.....	Activé
2. Non utilisé Réservé à une option de mise à niveau future.....	Activé
3. Mode diagnostique du tachymètre Cette option doit être utilisée à des fins de dépannage uniquement !.....	Désactivé
4. Temps de fonctionnement du démarrage du véhicule DEL allumé - 15 minutes, DEL éteint - 10 minutes.....	Désactivé
5. Non utilisé Réservé à une option de mise à niveau future.....	Désactivé
6. Temporisation des moteurs diesel Retarde la tentative de lancement de 30 secondes après la mise du contact.....	Désactivé
7. Nombre d'avertissements sonores réduit/important DEL allumé - Nombre d'avertissements sonores réduit, DEL éteint - Nombre d'avertissements sonores important.....	Activé

---

<b>2<sup>e</sup> série d'options (5 avertissements sonores)</b>	<b>Réglage de l'usine</b>
1. Polarité de la détection de la mise du contact DEL allumé - Positive, DEL éteint - Négative.....	Désactivé
2. Circuit d'apprentissage du signal du tachymètre Le klaxon retentit toutes les 3 secondes, appuyez sur le frein pour vous mettre au ralenti.	

## Recherche des pannes

- 1. Le klaxon retentit 4 fois et le véhicule ne démarre pas – pas d'apprentissage du signal du tachymètre.**
  - A. Assurez-vous de la bonne connexion du fil du tachymètre.
  - B. Reprogrammez le tachymètre (voir page 34).
- 2. La durée de lancement du démarreur est trop longue.**
  - A. Reprogrammez le tachymètre – laissez le véhicule tourner au ralenti pendant la procédure d'apprentissage du signal du tachymètre.
- 3. Le contact s'allume, le klaxon retentit 2 fois et le véhicule ne démarre pas – Le circuit de détection de la mise du contact est activé.**
  - A. Retirez la clé du contact.
  - B. La polarité de la détection de la mise du contact n'est pas respectée. Programmez pour une entrée négative (voir tableau des options page 38).
- 4. Le klaxon retentit 2 fois et le véhicule ne démarre pas – L'entrée de sécurité est activée.**
  - A. Assurez-vous que le capot est fermé.
  - B. Assurez-vous que l'interrupteur du capot est mis à la masse et qu'il est bien connecté.
  - C. Assurez-vous que l'interrupteur du frein n'est pas enfoncé.
  - D. Assurez-vous que le fil de l'interrupteur du frein est relié au bon fil du véhicule.
- 5. Le klaxon retentit 3 fois et le véhicule ne démarre pas – Le mode Service est enclenché.**
  - A. Désactivez le mode Service (voir page 36).
- 6. Le véhicule démarre et cale – L'interface du module SKREEM n'a pas été enregistrée.**
  - A. Assurez-vous que les connecteurs à 2 et 4 broches sont raccordés.
  - B. Assurez-vous que la bobine de l'antenne est bien enroulée autour de la boucle de l'antenne SKREEM du cylindre d'allumage.
  - C. Réenregistrez l'interface du module SKREEM (voir page 35).
- 7. Le klaxon retentit 8 fois et le véhicule ne démarre pas – Dispositif de sécurité : le véhicule ne démarre à distance que 8 fois de suite jusqu'à ce que l'on utilise la clé de contact.**
  - A. Faites démarrer le véhicule avec la clé de contact pour réinitialiser.

## Changement des piles de la télécommande : pièce Mopar n° 05140773AA :

1. Ouvrez avec précaution la télécommande en deux en faisant levier à l'aide d'un petit tournevis à tête plate.
2. Retirez doucement la plaquette de circuit de l'émetteur de son logement en faisant levier.
3. Retirez le compartiment des piles noir situé sous la plaquette de circuit en le faisant coulisser. Ne perdez pas le compartiment des piles noir.
4. Retirez les piles usagées et remplacez-les par des neuves. Respectez les signes de polarité (+) et (-) en retirant les piles usagées.
5. Replacez doucement la plaquette de circuit dans le boîtier de l'émetteur.
6. Refermez les deux parties du boîtier avec précaution, puis testez la télécommande.

**Il n'est pas nécessaire de reprogrammer la télécommande après avoir changé les piles.**

