

# **REPAIR CATALOG**

## **WHITE FORKLIFT**

PUBLICATION # R-2145

MSB-20 PRIOR TO 34100920

MSB-25 PRIOR TO 34100931

MSB-30 PRIOR TO 34100820

MSB-35 PRIOR TO 34100906

INCLUDES SUPPLEMENTS A AND B

SUPPLEMENT "A" TO REPAIR CATALOG R-2145

FOR

MSB SERIES

FORK LIFT TRUCKS



GROUP INDEX

	Page
Brakes - Self Adjusting.....	12-13
Drive Wheels for Self Adjusting Brakes .....	11
Linkage for Self Adjusting Brakes .....	12-13
LP-Gas Equipment .....	3-4-5
Power Steering.....	6
Power Steering Valve .....	6-8

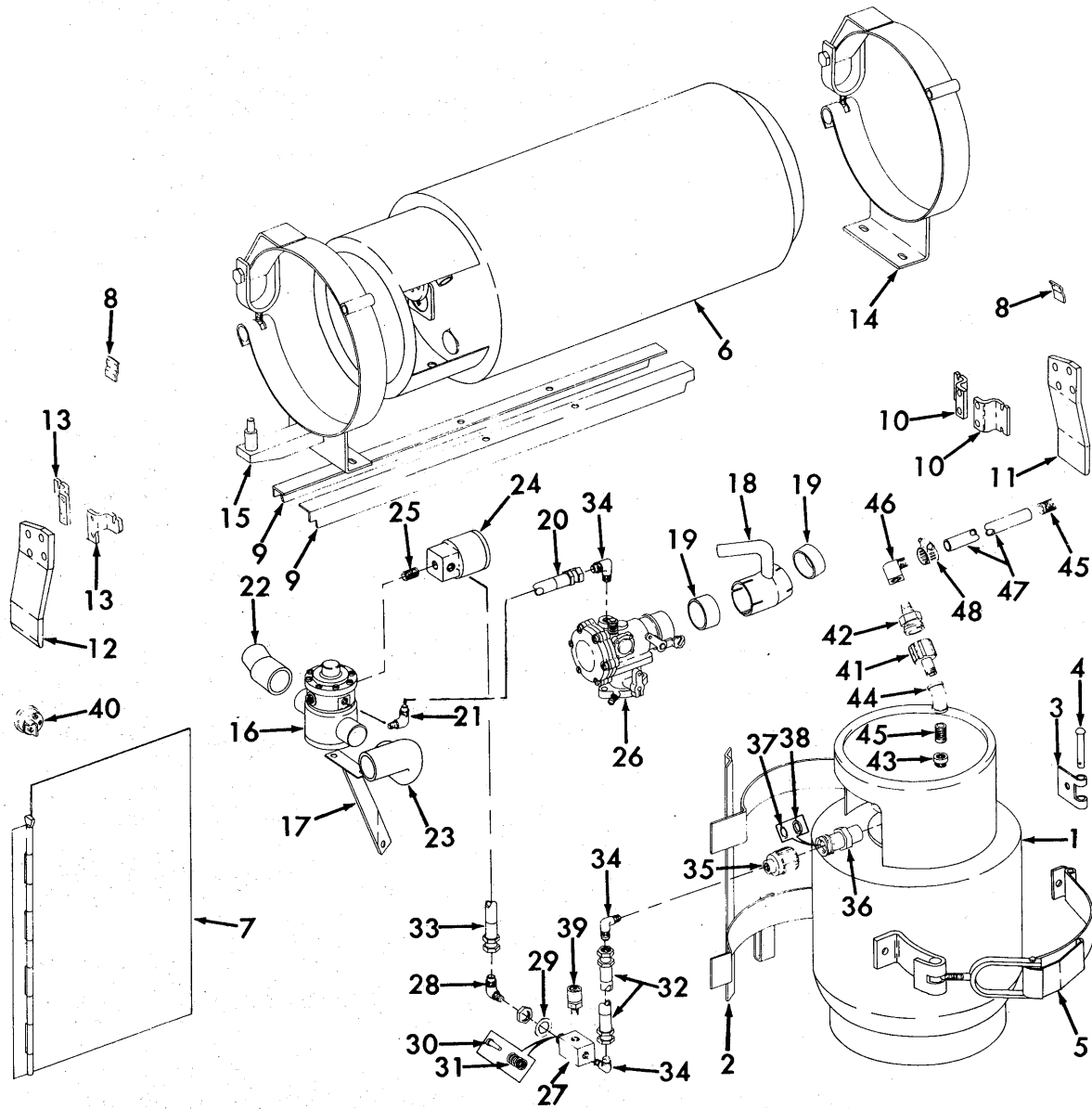
**White Materials Handling Division**  
**WHITE MOTOR CORPORATION**  
HOPKINS, MINNESOTA 55343



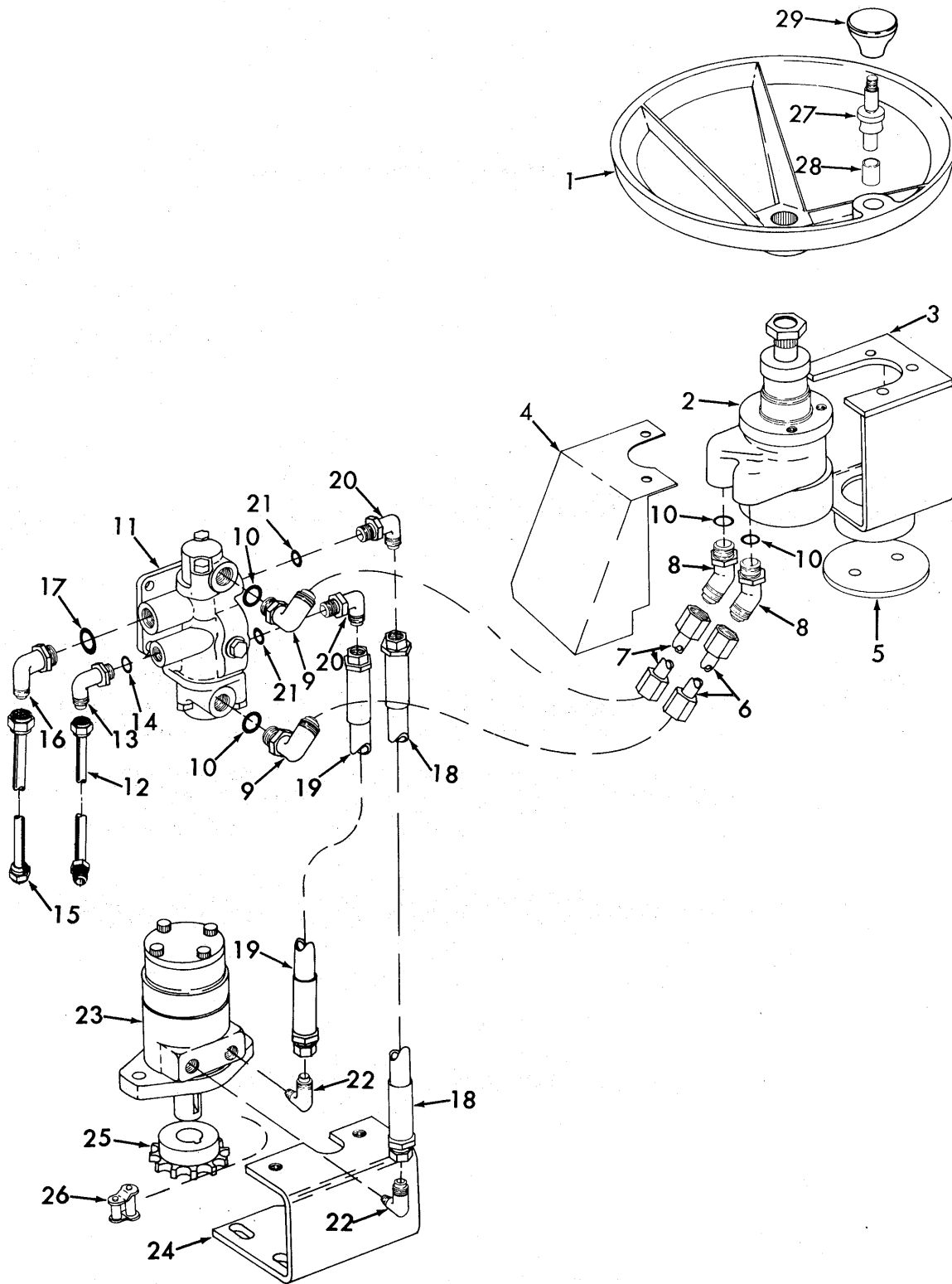
Ref. No.	Part No.	DESCRIPTION	No. Pcs.	
		<p>This supplement is to be used in conjunction with Repair Catalog R-2145 on MSB Series Fork Lift Trucks. Refer to this supplement for changes plus new additions. Power Steering, self adjusting brakes and other changes are included.</p>		
Page 4		<p>Refer to Cylinder Block, Head Assembly and Intake Manifold Group.  Change Ind. Ford No. 405585 bearing (ref. #3) to 444025.  Change Ind. Ford No. 405587 bearing (ref. #4) to 444028.  Omit 35P2429 plug (ref. #11), not used.  Change quantity of 35P2430 plug (ref. #12) from 2 to 3.  Omit 35P2391 plug, not used.  Change Ind. Ford No. C3AZ-10884-A unit to C3TZ-10884-A.</p>		
Page 6		<p>Refer to Crankshaft, Main Bearings, Camshaft Group.  Omit all ref. #3 and 4 bearings and add:</p>		
	3	35R123	436090 Bearing - crankshaft, center, std., red, 2 halves .....	1
	3	35R124	436091 Bearing - crankshaft, center, .0005 U.S., blue, 2 halves .....	1
	3	35R125	436093 Bearing - crankshaft, center, .0098 (.25 mm U.S.) 2 halves .....	1
	4	35R126	436083 Bearing - crankshaft, front and rear, std., red, 2 halves .....	2
	4	35R127	436084 Bearing - crankshaft, front and rear, .0005 U.S., blue, 2 halves..	2
	4	35R128	436394 Bearing - crankshaft, front and rear, .0098 U.S., (25 mm), 2 halves .....	2
			Change 425627 pulley (ref. #25) to 425939.....	
Page 8		<p>Refer to Piston and Connecting Rod Group.  Omit all ref. #2 bearings and add:</p>		
	2	35R129	405654 Bearing - connecting rods, std., red, 2 halves.....	4
	2	35R130	405656 Bearing - connecting rods, .0005 U.S., blue, 2 halves .....	4
	2	35R131	405660 Bearing - connecting rods, .0098 U.S., (25 mm), 2 halves.....	4
			Omit 35P2411 Kit - ref. #5 (not repairs)	
Page 14-15		<p>Refer to Fuel Filter and Fuel Pump Group.  Omit 35P2366 bolt (ref. #5), not used.  Change Ind. Ford No. 207167 spring (ref. #22) to 407167 (Correction).  Omit ref. #29 from washer in illustration, push rod, fuel pump, (#29, not illustrated.)</p>		
Page 18		<p>Refer to Engine Oil Filter Group.  Omit 50A4556 bushing (ref. #7)  Change 50A4413 elbow (ref. #8) to 50A1909 and size to 3/8".</p>		
Page 20		<p>Refer to Starter Group  Change 35P2610 (204736) nut (ref. #6) to 35A10494.  Change Ind. Ford No. 425709 armature (ref., # 18) to 541709.</p>		
Page 22		<p>Refer to Distributor assembly and Mounting Parts Group.  Change Ind. Ford No. 425979 spring (ref. #7) to 444249.  Change Ind. Ford No. 425605 unit (ref. #15) to 425606 (correction).</p>		
Page 24		<p>Refer to Radiator, Fan, Thermostat Housing Group.  Change Ind. Ford No. 21074-GS8 bolt (ref. #11) to 201336.  Add Ind. Ford No. 405898 to 35A9816 hose (ref. #19).  Change 50A4296 clamp to 50A4297 and size to 1-1/8".  Change 35P2380 bolt (ref. #22) to 35A9948, (same as).</p>		

Ref. No.	Part No.	DESCRIPTION	No. Pcs.
Page 26		Refer to Carburetor - Gasoline Engine Group. Change Ind. Ford No. 405842 gasket (ref. #31) to 425713.	
Page 28		Refer to Wiring Harness, Alternator, Horn and Battery Group. Add note to 35A9931 wire (ref. #5), used with Ford gauges. Change 35P2367 Spark Plug Ind. Ford AE22 to AC No. 42 FS.	
23	35P2742	Spark Plug - engine, hot plug (Auto Lite AE32 special) ..... Change 35A9843 bar (ref. #26) to 11A26776 (35A9843). Change 35A8248 regulator (ref. #29) to 10P3009 (same as).	4
Page 31		Refer to Instrument Panel and Instrument Group. Change 35A4770 wire (ref. #6) to 35A8195 and description hourmeter ground. Change Ind. Ford No. C3TZ-10883-A unit (ref. #10) to C3TZ-10884-A. Change Ind. Ford No. B9MZ-10804A Transformer (ref. #13) to B9NZ-10804-C. Add a single asterisk to 35A9928 gauge (ref. #9) thru 35A9931 wire (ref. #14). *Note: Used on MSB Series Lift Trucks with Ford Gauges. Add the following parts for MSB Series Fork Lift Trucks with Stewart-Warner Gauges.	
9	35A7737	**Gauge - water temperature .....	1
10	35A10522	**Unit - temperature .....	1
11	35A10523	**Gauge - oil pressure .....	1
12	10A25377	**Unit - oil pressure sending .....	1
		** 50A4555 Bushing - reducer, 1/4" x 1/8" .....	1
		** Note: Used on MSB Series Fork Lift Trucks with Stewart-Warner Gauges	
		LP-GAS EQUIPMENT	
1	35A5033	*Tank - with fittings, 20 lb., (Pressed Steel Tank Co., Model V20L) .....	1
2	36A5035	*Support - tank .....	1
		50A3666 Bolt - hex., 3/8"-16 x 1" .....	2
		50A1900 Nut - hex., 3/8"-16 .....	2
		50A4205 Washer - plain, 7/16" I.D., 1" O.D. ....	2
3	35A4961	*Hinge - support .....	2
4	15A5346	*Pin - hinge .....	2
		*GM177923 Pin - cotter, 1/8" x 3/4" .....	2
5	35P1774	*Clamp - tank, (35A4959 Inter.) .....	1
	35A10155	*Hose - assembly, vaporizer to filter .....	1
		*Note: Used on LP-Gas equipped trucks with 20 # tank.	
6	D1186	**Tank - with fittings, 33-1/2 lb., (Pressed Steel Tank Co., Model H33L) .....	1
7	36A8296	**Door - tank service .....	1
8	35A8297	**Guide - hood, 1" x 1-1/4" .....	2
9	35A8298	**Brace - hood, 1-1/4" x 29-1/4" .....	2
10	35A8299	**Guide - hood support, R.H., 3/4" offset, 2" x 2-1/4" .....	2
11	35A10178	**Support - side member, R.H., offset, 3/8" x 3" x 7-7/8" .....	1
12	35A10179	**Support - side member, L.H., offset, 3/8" x 3" x 7-7/8" .....	1
		** 50A3664 Bolt - hex., 3/8"-16 x 3/4" .....	4
		** 50A3666 Bolt - hex., 3/8"-16 x 1" .....	8
		** 50A1900 Nut - hex., 3/8"-16 .....	12
		** 50A3668 Bolt - hex., 3/8"-16 x 1-1/2" .....	1
13	35A10177	**Guide - hood support, L.H., 3/4" offset, 2" x 2-1/4" .....	2
14	35P508	**Strap - mounting, fuel tank, left hand .....	1
15	35P516	**Strap - mounting, fuel tank, right hand .....	1
		** 50A3922 Screw - flat head, slotted, 3/8"-16 x 1" .....	4
		** 50A1900 Nut - hex., 3/8"-16 .....	4
		** 50A4205 Washer - plain, 7/16" I.D., 1" O.D. ....	4
		**Note: Used on LP-Gas equipped trucks with 33-1/2 lb. tank.	

Ref. No.	Part No.	DESCRIPTION	No. Pcs.
LP-GAS EQUIPMENT (Cont'd)			
16	35A10211	Vaporizer - assembly, (Zenith No. G57) .....	1
	35P2255	Kit - repair, vaporizer, (includes seals, diaphragm, springs and valves) ..	1
17	36A9927	Mount - vaporizer .....	1
		50A3647 Bolt - hex., 1/4"-20 x 7/8" .....	2
	35A10880	Bracket - vaporizer mount, 7/8" x 7-5/8" long .....	1
18	36A9928	Adapter - carburetor to air cleaner .....	1
		50A4285 Clamp - hose, 1-3/8" .....	2
		50A4289 Clamp - carburetor, 2-1/4" .....	1
		50A4554 Bushing - reducer, 3/8" to 1/8" .....	1
19	35A9563	Band - adapter, 2" O.D. x 1" long .....	2
20	35A10157	Hose - vaporizer to carburetor, 3/8" I.D. x 11" long .....	1
21		50A5119 Elbow - vaporizer, 3/8" N.P.T. x 90° with 45° flare .....	1
22	35A10158	Hose - engine to vaporizer, 1-1/4" x 1-1/2" I.D. x 3-1/2" long .....	1
23	35A10159	Hose - vaporizer to radiator, 1-1/4" x 1-1/2" I.D. x 85° .....	1
24	35P1084	Solenoid - 12 volt .....	1
25		50A4450 Nipple - pipe, close, 1/4" N.P.T. x 7/8" .....	2
		50A2492 Elbow - street, 1/4" N.P.T. x 90°, 45° flare .....	1
26	35A10212	Carburetor - LP-Gas, (Zenith PC2J10) .....	1
	35P2256	Kit - repair, carburetor, (includes seals, "O" rings and idle adjusting needle) .....	1
	35A10220	Stud - carburetor, 5/16"-18 x 3-3/8" .....	2
		50A3730 Nut - hex., 5/16"-18 .....	2
27	35P514	Bulkhead - filter .....	1
		Includes the following 2 parts:	
28		50A4386 Elbow - filter, 1/4" N.P.T. x 3/8" .....	1
29		GM125700 Washer - lock, internal lock, 7/8" .....	1
30	35P1605	Element - filter .....	1
31	35P1608	Spring - filter .....	2
32	35A10155	Hose - assembly, filter to tank, 3/8" I.D. x 14-1/2" long .....	1
33	35A10156	Hose - assembly, vaporizer to filter, 33-1/2" #3/8" I.D. x 21" long .....	1
35	35P519	Coupling - hose to tank, female .....	1
36	35P517	Coupling - hose to tank, male .....	1
		Includes the following 2 parts:	
37	30A1701	"O" Ring - coupling .....	1
38	35P1769	Gasket - coupling .....	1
39	35P515	Valve - relief .....	1
40	35P525	Switch - oil pressure .....	1
		50A4571 Tee - pipe, oil filter .....	1
		50A2281 Connector - Tee, 1/2" .....	1
		50A1909 Elbow - oil filter, 3/8" x 90° .....	1
	10A2640	Wire - ignition switch and hydraulic switch to solenoid, 14 Ga. x 30" .....	3
41	35P1307	Coupling - relief valve, female .....	1
42	35P1308	Coupling - relief valve, male .....	1
43	35P1309	Adapter - relief valve .....	1
44		50A4601 Elbow - adapter, 3/8" N.P.T. x 45° .....	1
45		50A4451 Nipple - pipe, close, 3/8" N.P.T. .....	2
46		50A2476 Elbow - street, 3/8" N.P.T. x 90° .....	1
47	35P1311	Hose - relief valve .....	1
48	35P1310	Clamp - hose .....	1
	35A10017	Decal - instructions, LP-Gas, 2-15/64" x 4" .....	1

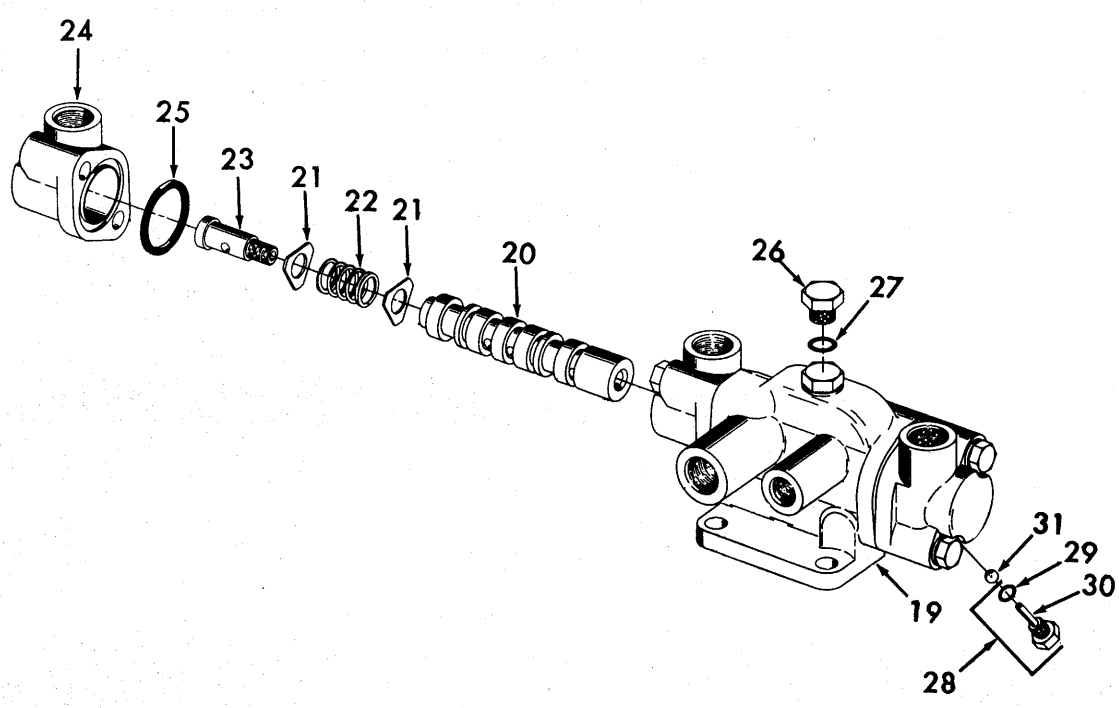
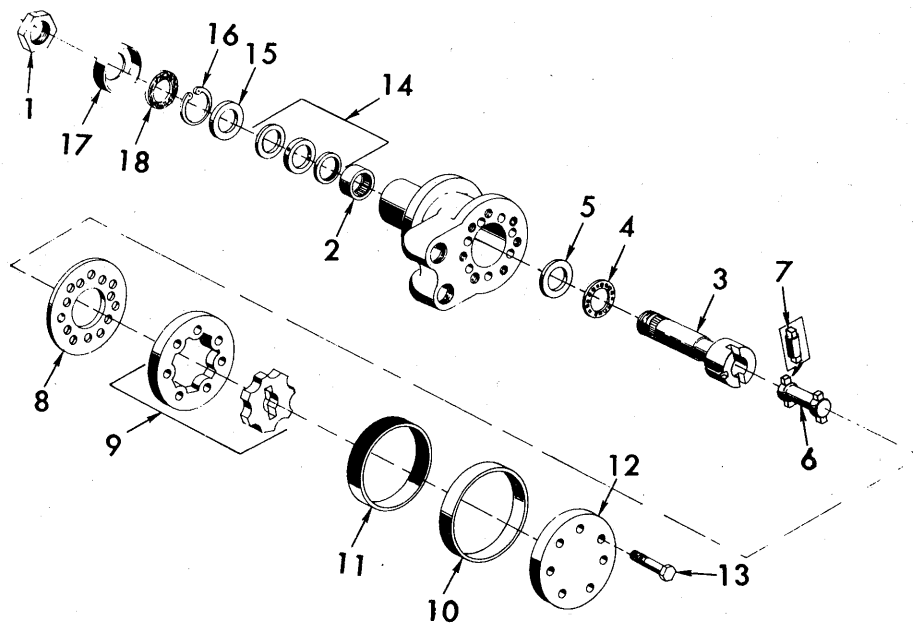


Ref. No.	Part No.	DESCRIPTION	No. Pcs.
POWER STEERING MOTOR, VALVE AND LINES			
1	35A10535	Wheel - steering .....	1
2	15A19223	Motor - steering, upper, see breakdown on page 8 .....	1
3	36A9982	Mount - steering motor, upper .....	1
		50A3655 Bolt - hex., 5/16" -18 x 3/4".....	3
4	36A10582	Cover - steering motor, upper.....	1
5	35A10419	Holder - mount, 1/4" thick x 4" O.D.....	1
		50A3656 Bolt - hex., 5/16" -18 x 1" .....	2
6	10A26256	Tube - steering motor to valve, long, 1/2" O.D. x 11-5/16".....	1
7	10A26257	Tube - steering motor to valve, short, 1/2" O.D. x 6-3/8" .....	1
8		50A5606 Elbow - motor, 45°, 3/4"-16 straight thread, 37° flared....	2
9		50A4424 Elbow - valve, 90°, 3/4"-16 straight thread, 37° flared ....	2
10	10A12012	"O" Ring - elbows, 41/64" I.D. ....	4
11	15A19226	Valve - assembly, see breakdown on page 8 .....	1
		50A3667 Bolt - hex., 3/8" -16 x 1-1/4" .....	3
		50A1900 Nut - hex., 3/8" -16.....	3
12	10A26253	Tube - valve to pump.....	1
13		50A4423 Elbow - valve inlet, 90°, 9/16"-18.....	1
14	10A16405	"O" Ring - elbow, for 50A4423, 5/8" O.D. ....	1
15	10A26252	Tube - valve to transmission control hose.....	1
16		50A189 Elbow - valve, 90°-3/4"-16 .....	1
17	10A12012	"O" Ring - elbow, 41/64" I.D. ....	1
18	35A10605	Hose - valve to steering motor, lower, 1/4" I.D. x 15".....	1
19	35A9168	Hose - valve to steering motor, lower, 1/4" I.D. x 17".....	1
20		50A4423 Elbow - valve, 90°, 9/16"-18.....	2
21	10A16405	"O" Ring - elbow, 41/64" I.D. ....	2
22		50A4413 Elbow - motor, 90°, 1/4" N.P.T. ....	2
		50A4557 Bushing - reducer, 1/2" to 1/4".....	2
23	35A10533	Motor - steering, (Char-Lynn No. D4P).....	1
		50A1642 Bolt - 12 PT., 1/2" x 1" .....	2
		Note: 35A10533 Motor should be serviced by Char-Lynn Service Shops.	
24	35A10499	Bracket - steering motor support, lower .....	1
		50A3680 Bolt - hex., 1/2" -13 x 1-1/4".....	3
		50A4212 Washer - plain, 17/32" I.D., 1-1/16" O.D. ....	3
25	35A10445	Sprocket - steering, on motor, 13 teeth .....	1
		50A4161 Set Screw - hex. socket, cup point, 1/4" x 1/2".....	1
		50A5154 Key - (Woodruff No. 15).....	1
26	15P929	Link - offset, 5/8" pitch .....	6
27	35A8613	Shaft - spinner, steering wheel.....	1
		50A4210 Washer - plain, 13/32" I.D., 13/16" O.D.....	1
		50A155 Nut - hex. (Nylock) 3/8"-24.....	1
28	35A4794	Bushing - spinner shaft .....	1
29	35A8295	Knob - spinner, steering wheel.....	1
		50A4887 Insert - knob.....	1





Ref. No.	Part No.	DESCRIPTION	No. Pcs.
		POWER STEERING MOTOR AND VALVE	
	15A19223	Motor - steering.....	1
		Includes the following 19 parts:	
1	35P51	Nut - steering wheel.....	1
2	15P1021	Bearing - needle.....	1
3	15P1022	Shaft - coupling.....	1
4	15P1023	Bearing - needle thrust.....	1
5	15P1024	Bearing - race.....	1
-	15P1025	Pin - spool.....	1
6	15P1026	Link - pump.....	1
7	15P1027	Pin - link.....	2
8	15P1028	Spacer.....	1
9	15P1029	Rotor Set.....	1
10	15P1030	Retainer - seal.....	1
11	15P1031	Seal - rotor.....	1
12	15P1032	Cover - end.....	1
13	15P1033	Bolt - hex., special, 5/16"-18 x 1-3/4".....	7
14	10P2988	Seal - shaft, with bronze washer and spacer.....	1
15	15P1035	Washer.....	1
16	10P1600	Ring - retainer.....	1
17	15P1037	Seal - water.....	1
18	15P1038	Bushing - felt.....	1
19	15A19226	Valve - assembly.....	1
		Includes the following 10 parts:	
20	-----	Spool - valve, not serviceable, order 15A19226 valve assy. ....	1
21	15P1036	Washer - centering, valve spool.....	2
22	15P1039	Spring - centering, valve spool.....	1
23	15P1040	Screw - centering, valve spool.....	1
24	15P1041	Cap - ends, valve.....	2
		50A3664 Bolt - hex., 3/8"-16 x 2".....	4
25	15P1042	Seal - "O" ring, cap.....	2
26	15P1043	Plug - boss, includes "O" ring.....	1
27	15P1044	Seal - "O" ring, boss plug.....	1
28	15P1045	Plug - roll pin, assembly.....	1
		Includes the following 2 parts:	
29	15P1046	Seal - "O" ring, plug.....	1
30	15P1047	Pin - roll.....	1
31		50A4263 Ball - steel, 1/4" dia. ....	1

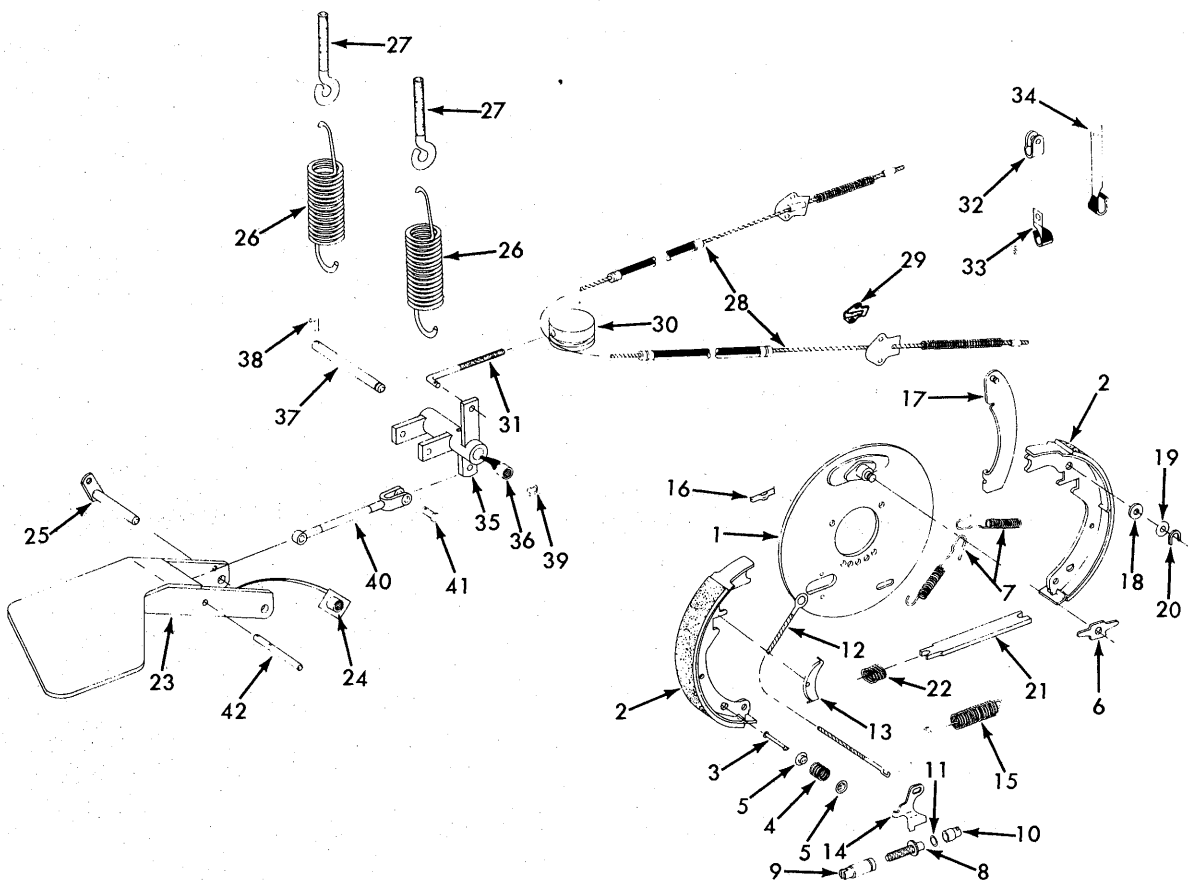


Ref. No.	Part No.	DESCRIPTION	No. Pcs.
Page 32		Refer to Fuel Tank-Gasoline Group Change 50A3364 bolt to 50A3664 and quantity to 5.	
Page 34-35		Use new text and illustration on pages 3, 4 and 5 of this supplement.	
Page 36		Refer to Transmission Case Group Add note to 35A4138 adapter (ref. #3) 4.837 thick, used on lift trucks with rod operated brakes.	
3	35A10648	Adapter - Transmission Case, 5.934 thick, used with cable operated brakes ..... Change quantity on 35A9946 bolt from 2 to 6 and omit 35A9947 stud (ref. #17) and 35A9944 stud (ref. #18). Change description 35P2649 bolt to flywheel to crankshaft.	1
Page 43		Refer to Transmission Control Valve and Controls Group Add a single asterisk (*) to 35A9689 arm (ref. #45), 35A9690 arm, (ref. #46), 35A9866 bushing (ref. #47), 35A9691 rod (ref. #48) and 50A3859 pin (ref. #49).	
	35A10875	*Note: Used on MSB Series Fork Lift Trucks with bushings in support angle Add the following parts: ** Bearing - rod with arms .....	2
		** 50A3654 Bolt - hex., 5/16" -18 x 5/8".....	4
	36A10876	** 50A4202 Washer - flat, 11/32" I.D., 11/16" O.D. .... ** Rod - with arms .....	4 1
Page 44		Refer to Drive Axle, Wheels and Tires Group Add note, Used on MSB Series Lift Trucks without self adjusting brakes.	
		Add new group for MSB Series Fork Lift with self adjusting brakes.	

Ref. No.	Part No.	DESCRIPTION	No. Pcs.
<b>DRIVE AXLE, WHEELS AND TIRES</b>			
Used on Lift Trucks with Self Adjusting Brakes			
1	35A10341	Housing - axle, left hand.....	1
2	35A10342	Housing - axle, right hand .....	1
		GM180148 - Bolt, hex., 7/16"-14 x 1-3/8".....	15
3	35A10478	Shaft - axle, left hand.....	1
4	35A10477	Shaft - axle, right hand.....	1
		50A2746 - Screw, flat head, 3/8"-16 x 1".....	4
5	35A9961	Housing - bearing .....	2
6	10A5939	Stud - bearing housing .....	12
		50A1094 - Nut, wheel, 1/2"-20.....	12
7	10A8521	*"O" Ring - left hand axle housing .....	1
8	E613	*"O" Ring - right hand axle housing .....	1
9	35A10019	*Seal - oil, axle housing .....	2
10	10A7607	Cup - bearing, left hand axle housing, inner.....	1
11	35A10018	Bearing - ball, axle housing, outer.....	2
12	50A5569	Ring - retainer, ball bearing, on axle housing, Tru-Arc N5100-255.....	2
13		50A5568 - Ring, retaining, in bearing housing, (Tru-Arc N5000-475).	2
14	35A6304	*Ring - sealing, wheel to housing .....	2
15	35A4445	*Shim - left hand axle housing, .002 .....	A.R.
16	35A4446	*Shim - left hand axle housing, .003 .....	A.R.
17	35A4447	*Shim - left hand axle housing, .005 .....	A.R.
18	35A4448	*Shim - left hand axle housing, .020 .....	A.R.
	35R86	*Kit - gasket, transmission and differential overhaul .....	1
		*NOTE: Kit includes parts identified with a single asterisk (*).	
	36A9882	Wheel - with tire, MSB20 and 25.....	2
		Consists of the following 2 parts:	
19	35A9962	Wheel - less tire, MSB 20 and 25.....	2
20	35A4395	Tire - cushion, 16-1/4" x 5" x 11-1/4".....	2
	36A10578	Wheel - with tire, MSB 30 and 35.....	2
		Consists of the following 2 parts:	
21	35A10581	Wheel - less tire, MSB 30 and 35.....	2
22	35A4394	Tire - cushion, 16-1/4" x 7" x 11-1/4".....	2
		NOTE: Reference numbers are from illustration on page 45 in R2145.	
Refer to Brakes and Brake Linkage Group			
Add to heading:			
Used on MSB Series Fork Lift Trucks less self adjusting brakes.			
Add new group for self adjusting brakes.			

Page 46-47

Ref. No.	Part No.	DESCRIPTION	No. Pcs.
		BRAKES (SELF ADJUSTING) AND LINKAGE	
	35A10516	Brake - complete, R.H. ....	1
	35A10517	Brake - complete, L.H. ....	1
		Each includes items thru ref. No. 22:	
		50A1472 - Bolt, 12 pt., 1-7/16"-14 x 3/4".....	14
1	35P2836	Plate - backing, R.H. ....	1
	35P2835	Plate - backing, L.H. ....	1
2	35P2809	Shoe - brake, with lining, bonded (pkg. of 4).....	1
3	35P2824	Pin - shoe hold down.....	4
4	35P2825	Spring - shoe hold down (Lt. blue).....	4
5	JT9119	Cup - shoe hold down pin.....	8
6	35P2822	Guide - shoe plate.....	2
7	35P2823	Spring - brake shoe to anchor pin (yellow).....	4
8	35P2811	Screw - adjusting, R.H. brake.....	1
8	35P2810	Screw - adjusting, L.H. brake.....	1
9	35P2813	Nut - pivot screw adjusting, R.H. ....	1
9	35P2812	Nut - pivot screw adjusting, L.H. ....	1
10	35P2819	Socket - adjusting screw.....	2
11	35P2820	Washer - adjusting screw.....	2
12	35P2816	Cable - automatic adjuster.....	2
13	35P2826	Guide - cable.....	2
14	35P2828	Lever - automatic adjuster, R.H. ....	1
13	35P2827	Lever - automatic adjuster, L.H. ....	1
15	35P2821	Spring - automatic adjuster, blue.....	2
16	JT9125	Cover - adjusting hole.....	2
17	35P2838	Lever - actuating brake, R.H. ....	1
	35P2837	Lever - actuating brake, L.H. ....	1
18	35P2839	Washer - plain, between plate and lever.....	2
19	35P2817	Washer - tension, lever pin.....	2
20	35P2818	Retainer - lever pin.....	2
21	35P2830	Strut - brake shoes.....	2
22	35P2829	Spring - strut (red).....	2
23	36A6307	Pedal - brake.....	1
24	35A7608	Bearing - brake pedal, in frame.....	2
25	36A7610	Shaft - pivot, brake pedal.....	1
		50A3655 - Bolt, hex., 5/16"-18 x 3/4".....	1
26	35A4837	Spring - tension, brake pedal, 16-1/2 coils, 2" O.D. ....	2
27	35A7250	Eye Bolt - spring, 1/2".....	2
		GM120238 - Nut, hex., jam. 1/2"-13.....	4
28	20-3003235	Cable - brake, 81" long (35A10514).....	1
29	35A10218	Cap - cable.....	2
		50A4706 - Screw, tapping, 5/16"-18 x 5/8".....	4
30	20-3003047	Equalizer - cable (35A10521).....	1
31	20-3003048	Rod - equalizer, 5/16"-18 x 6 1/4" (35A10476).....	1
		50A3730 - Nut, hex., 5/16"-18.....	2
		50A4202 - Washer, plain, 11/32" I.D., 11/16" O.D. ....	1
		50A3781 - Pin, cotter, 1/4" x 1/2".....	1
32	35A190	Clip - cable, equalizer end.....	2
		50A1900 - Nut, hex., 3/8"-16.....	2
33	35A10673	Clip-brake cable, left hand side, 1-29/32" long.....	1
34	35A10674	Clip-brake cable, right hand side, 4-29/32" long.....	1
35	36A9993	Bellcrank - control rod.....	1
		Includes the following part:	
		GM173102 - Fitting, grease, 1-1/8" pipe x 45°.....	2
36	35A7608	Bearing - bellcrank.....	2
37	35A7609	Shaft - bellcrank, 1/2" x 6-3/16".....	1
38	35A6097	Pin - shaft.....	1
39		50A1827 - Ring, snap, shaft retainer.....	1
40	36A10595	Rod - bellcrank to pedal.....	1
41		50A3852 - Pin, rod clevis, 3/8".....	1
		50A3829 - Pin, cotter, 3/32 x 3/4".....	1
42	35A7798	Pin - rod to pedal.....	1
		GM121222 - Pin, cotter, 3/32" x 3/4".....	3



Ref. No.	Part No.	DESCRIPTION	No. Pcs.
Page 48		Refer to Steering Gear Group Change 35A3580 housing (ref. #1) to 35B10528 (35A3580) Add a single asterisk (*) 35A6254 shaft (ref. #2) 12-1/2" long, 10A19477 seal (ref. #5) and GM102647 nut (ref. #7). Add the following new parts when lift trucks have 35A10528 housing installed.	
2	35A10526	Bushing - housing, part of 35B10528 assembly .....	1
5	35A10527	Shaft - steering, 13-21/32" long .....	1
	30A1912	Seal - oil, steering shaft .....	1
		50A5036 Nut - hex. lock, 5/8"-11, for 35A10527 shaft.....	1
Page 50		Refer to Steering Gear Group Add chain for MSB 30-35 Chain - 5/8" pitch, steering gear to sprocket, 93 lks., use 15P927, MSB 30-35.....	1
59	-----	New Power Steering Group on pages 6 thru 9 of this supplement.	
Page 54		Refer to Frame and Counterweight Group Add a single asterisk (*) to 36A9798 frame (ref. #1), 36A9853 support (ref. #7), and 35A9746 pan (ref. #21). *NOTE: Used on MSB Series Fork Lift Trucks with lever operated brakes.	
1	36A10530	**Frame - main .....	1
7	36A10682	**Support - drive train, left hand axle .....	1
	35A10681	**Ring - support, .074 x 3-1/16" I.D. x 4-15/16" O.D.....	1
21	35A10602	**Pan - belly, main frame, 32-1/2" wide x 22-1/8" .....	1
		**NOTE: Used on MSB Series Fork Lift Trucks with cable operated brakes.	
Page 56		Refer to Hood, Side Grille and Overhead Guard Group Add asterisk (*) to 36A8901 bar (ref. #2) *NOTE: Used on MSB Series Lift Trucks with bushings in bar, **Bar - angle, hood bumper, 31-1/2" long .....	1
	35A9702	**NOTE: Used on MSB Series Lift Trucks with bearings on transmission control arms.	

Ref. No.	Part No.	DESCRIPTION	No. Pcs.
Page 58-59		Refer to Oil Lines and Filter Group Change 35A8198 tube (ref. #51) to 35A10597. Change 35A9913 tube (ref. #52) to 35A10578. Change 35A8199 tube (ref. #53) to 35A10596. Change 35A9915 tube (ref. #54) to 35A10579.	
Page 60		Refer to Hydraulic Pump Group Change 10P2014 plate (ref. #15) to 35P2766 (10P2014). Change 10P3067 ring (ref. #18) to 35P2765 (10P3067). Add note to 35P2065 spring (ref. #27), used on units less power steering. Add new spring for pumps with power steering.	
27	35P291	Spring - valve, for units with power steering .....	1
Page 66-67		Refer to Duplex Mast Change 30A1681 ring (ref. #10) to 50A578 (30A1681). Add new fitting for vent tube in lift cylinder.	
43	35A10680	Fitting - vent tube, straight, 1/8" -27 N.P.T.....	1
Page 78		Refer to Triplex Tri-Free Lift Cylinder Group Change 35P1836 body (ref. #33) to 35P2743.	
Page 83		Refer to Triplex Mast Illustration Change ref. #49 to 50 and 50 to 49 (correction).	
Page 84		Refer to Lift Cylinder Low Free Lift Group Omit 35A8098 body (ref. #22) thru 10A16285 "O" Ring (ref. #29). Add the following:	
24	35P2753	Washer - restrictor.....	1
23	35P1670	Spring - restrictor .....	1
25	35P1671	Spacer - restrictor.....	1
	35P2326	Fitting - cylinder, spring retainer .....	1



Ref. No.	Part No.	DESCRIPTION	No. Pcs.
Page 3		<p>SUPPLEMENT "B" TO REPAIR CATALOG R-2145 (REVISED)</p> <p>Use this supplement in conjunction with Repair Catalog R-2145, MSB Lift Trucks, to obtain correct parts for Ford V-4, "Closed Deck" cylinder engines (engines painted blue).</p> <p>DESTROY PREVIOUS ISSUE DATED 3-69.</p> <p>Refer to Short Block Assembly and Gasket Sets</p> <p>Add new group (Blue Engine)</p>	

Ref. No.	Part No.	DESCRIPTION	No. Pcs.
	W. I. D. No.	Ind. Ford No.      SHORT BLOCK ASSEMBLY AND GASKET SETS	
	35P3221	464234      Block - assembly, short.....	1
	35P3166	634323      Kit - gaskets and seals, engine overhaul.....	1
		Consists of the following 21 parts:	
	35P3200	444762      Gasket - cylinder head, front.....	1
	35P3199	444761      Gasket - cylinder head, rear.....	1
	35P2386	405468      Gasket - valve rocker arm cover.....	2
	35P2352	405093      Gasket - oil pan.....	1
	35P2354	405164      Gasket - timing gear cover.....	1
	35P2467	405318      Gasket - cover plate.....	1
	35P3218	448717      Gasket - intake manifold to cylinder.....	1
	35P2378	436884      Gasket - water outlet connection.....	1
	35P2500	405400      Seal - gasket, water pump.....	1
	35P2501	405404      Gasket - water pump cover.....	1
	35P2505	425686      Seal - assembly, water pump.....	1
	35P2513	405144      Gasket - oil pump to block.....	1
	35P2524	405831      Gasket - oil pump body to inlet tube flange...	1
	35P2529	405095      Seal - oil pan, rear.....	1
	35P2527	228195      Gasket - oil pan drain plug.....	1
	35P2530	405583      Seal - crankshaft, main bearing cap, rear.....	2
	35P2448	405576      Seal - crankshaft, rear oil.....	1
	35P3197	444631      Gasket - carburetor to intake manifold.....	1
	35P2471	405392      Seal - assembly, balance shaft, front.....	1
	35P2350	406307      Gasket - exhaust pipe to cylinder head.....	2
	35P2356	405218      Gasket - fuel pump mounting.....	1

9/69 Printed in U. S. A.



FORK LIFT TRUCKS

**White Industrial Division**  
**WHITE MOTOR CORPORATION**  
 HOPKINS, MINNESOTA 55343

Ref. No.	Part No.	DESCRIPTION	No. Pcs.	
Page 4		Refer to Cylinder Block, Head Assembly and Intake Manifold Change 35P2446 (ref. 33) cap to 10A10401 (Sub) Add new group (Blue Engine)		
	W. I. D. No.	Ind. Ford No.		
		CYLINDER BLOCK, HEAD ASSEMBLY AND INTAKE MANIFOLD		
	-----	444747	Block - assy, cyl , order 35P3221 short block assy	1
	35P3215	448036	Plug - hex., 36 MM (1.4").....	1
	35P3174	239455	Gasket - (ring).....	1
	35P2429	231285	Plug - drain, 1/4"-18.....	2
	35P2416	425408	Bolt - hex., crankshaft main bearing cap.....	6
	35P2417	444024	Bearing - balance shaft, front, std. ....	1
	35P2418	444025	Bearing - balance shaft, front, .015 U.S. ....	1
	35P2419	444027	Bearing - balance shaft, rear, std. ....	1
	35P2420	444028	Bearing - balance shaft, rear, .015 U.S. ....	1
	35P2421	405588	Bearing - camshaft, front, std. ....	1
	35P2422	405589	Bearing - camshaft, front, .015 U.S. ....	1
	35P2423	405590	Bearing - camshaft, center, std. ....	1
	35P2424	405591	Bearing - camshaft, center, .015 U.S. ....	1
	35P2425	405592	Bearing - camshaft, rear, std. ....	1
	35P2426	405021	Plug - camshaft opening.....	1
	35P2427	405086	Plug - balance shaft opening.....	1
	35P3176	239755	Plug - frost, 39.9 MM (1-1/2" dia.).....	1
	35P3217	448680	Head - assy., with valves (Gas-LP Gas).....	2
	35P2428	228355	Plug - frost, cylinder head.....	4
	35P3214	447219	Dowel - cylinder head to cylinder block.....	4
	35P2434	228345	Bolt - hex., cylinder head to block M12X73....	11
	35P2435	230555	Bolt - hex., cylinder head to block M12X73....	1
	35P3180	240865	Bolt - hex., cylinder head to block M12X80....	1
	35P3200	444762	*Gasket - cylinder head, front.....	1
	35P3199	444761	*Gasket - cylinder head, rear.....	1
	35P3219	448919	Manifold - assembly, intake.....	1
	35P3218	448717	*Gasket - intake manifold.....	1
	35P2437	288995	Bolt - hex., intake manifold M8X75.....	2
	35P3172	232919	Bolt - hex., intake manifold M8X85.....	3
	35P3179	240789	Stud - intake manifold.....	2
	35P2439	227675	Bolt - hex., intake manifold M8X107.....	2
	35P2440	206036	Washer - flat.....	6
	35P3178	240779	Nut - hex. ....	2
	35P2386	405468	*Gasket - cover, valve rocker arm.....	2
	35P3222	464610	Cover - assembly, valve rocker arm, front....	1
	35P3201	444815	Cover - assembly, valve rocker arm, rear.....	1
	35P2444	202716	Bolt - hex., valve rocker arm.....	10
	35P2445	228335	Washer - lock.....	10
	10A10401	-----	Cap - assembly, oil filler.....	1
	35P2633	405235	Baffle - oil.....	2
			*NOTE: In kit 35P3166 Engine Gasket Set.	

Ref. No.	Part No.	DESCRIPTION	No. Pcs.
Page 6		Refer to Crankshaft, Main Bearings, Camshaft	
		Add the following:	
	35P3102	C7JZ-6023-A Bracket - timing.....	1
	35P3103	C7JZ-2887-A Spacer - timing, .70 thick.....	1
	35P3104	200855 Bolt - hex. hd., M8-40.....	1
		Add new group (Blue Engine)	
	W.I.D. No.	Ind. Ford No.      CRANKSHAFT, MAIN BEARINGS, CAMSHAFT, BALANCE SHAFT, TIMING GEARS AND TIMING GEAR COVER	
	35P2447	405645      Crankshaft - engine.....	1
	35P2448	405576      *Seal - oil, crankshaft rear.....	1
	35R123	448139      Bearing - crankshaft, center, std., (2 halves)	1
	35R126	448126      Bearing - crankshaft, front & rear, std., (2 halves).....	2
	35P2455	405889      Shaft - balance, engine.....	1
	35P2456	405823      Camshaft - engine.....	1
	35P2457	425764      Spacer - camshaft gear, std., blue.....	1
	35P2458	425765      Spacer - camshaft gear, .0005, red.....	1
	35P2459	425762      Plate - camshaft thrust.....	1
	35P2469	202746      Bolt - hex., thrust plate.....	2
	35P2460	260797      Washer - lock.....	2
	35P2461	226395      Key - Woodruff, timing gears, crankshaft and camshaft.....	2
	35P2462	226405      Key - Woodruff, gear and pulley, balance shaft..	2
	35P2463	436595      Gears - timing, (crankshaft, camshaft & balance shaft).....	1
		Includes the following part:	
	35P3226	635376      Gear - balance shaft (cast iron).....	1
	35P2465	225635      Bolt - hex., timing gears.....	3
	35P2466	230145      Washer - flat.....	3
	35P2467	405318      *Gasket - intermediate plate.....	1
	35P3227	710167      Plate - intermediate.....	1
	35P3235	760777      Bolt - hex., intermediate plate M8X15.....	2
	35P2460	760797      Washer - lock.....	2
	35P2354	405164      *Gasket - cover, timing gears.....	1
	35P2470	425624      Cover - timing gear.....	1
	35P2471	405392      *Seal - balance shaft.....	1
	35P2472	202836      Bolt - hex., timing gear cover..... *NOTE: In kit 35P3166 Engine Gasket Set.	9
	35P2507	425939      Pulley - balance shaft.....	1
	35P3102	C7JZ-6023-A Bracket - timing.....	1
	35P3103	C7JZ-2887-A Spacer - .70 thick.....	1
	35P3104	200855 Bolt - hex., M8X40.....	1

Ref. No.	Part No.	DESCRIPTION	No. Pcs.																												
Page 8		<p>Refer to Piston and Connecting Rod. Add new group (Blue Engine)</p> <p>W.I.D. No.                      Ind. Ford No.                      PISTON AND CONNECTING ROD</p> <table border="0"> <tr> <td>35P3198</td> <td>444716</td> <td>Piston - assembly, with connecting rod, std. . . .</td> <td>4</td> </tr> <tr> <td>35R129</td> <td>405654</td> <td>Bearing - connecting rod, std., half.....</td> <td>8</td> </tr> <tr> <td>35R130</td> <td>405656</td> <td>Bearing - connecting rods, half, .0005 U.S. . . .</td> <td>8</td> </tr> <tr> <td>35R131</td> <td>405660</td> <td>Bearing - connecting rods, half, .0098 (.25MM) US</td> <td>8</td> </tr> <tr> <td>35P2408</td> <td>405406</td> <td>Bolt - connecting rods.....</td> <td>8</td> </tr> <tr> <td>35P2409</td> <td>228439</td> <td>Nut - bolt, connecting rod bolt.....</td> <td>8</td> </tr> <tr> <td>35P3231</td> <td>710202</td> <td>Kit - piston ring (set for 4 pistons), std. . .</td> <td>1</td> </tr> </table>	35P3198	444716	Piston - assembly, with connecting rod, std. . . .	4	35R129	405654	Bearing - connecting rod, std., half.....	8	35R130	405656	Bearing - connecting rods, half, .0005 U.S. . . .	8	35R131	405660	Bearing - connecting rods, half, .0098 (.25MM) US	8	35P2408	405406	Bolt - connecting rods.....	8	35P2409	228439	Nut - bolt, connecting rod bolt.....	8	35P3231	710202	Kit - piston ring (set for 4 pistons), std. . .	1	
35P3198	444716	Piston - assembly, with connecting rod, std. . . .	4																												
35R129	405654	Bearing - connecting rod, std., half.....	8																												
35R130	405656	Bearing - connecting rods, half, .0005 U.S. . . .	8																												
35R131	405660	Bearing - connecting rods, half, .0098 (.25MM) US	8																												
35P2408	405406	Bolt - connecting rods.....	8																												
35P2409	228439	Nut - bolt, connecting rod bolt.....	8																												
35P3231	710202	Kit - piston ring (set for 4 pistons), std. . .	1																												
Page 9	35P3197	<p>Refer to Governor, Carburetor, Muffler &amp; Exhaust Pipes. Change 35P2296 Gasket to 10A21533 (substitution). Add to description 35P2389 *Gasket: Used on Silver Engines. Add the following: 444631 *Gasket - adaptor to intake manifold (used on Blue Engines)..... Add to description 35P2557 Washer: Used on Silver Engines. After 35A9910 Clamp, add the following: 50A3730 - Nut, 5/16"..... Change *NOTE to read: In kits 35P2413 &amp; 35P3166 Engine Gasket Sets.</p>	8 8																												

Ref. No.	Part No.	DESCRIPTION	No. Pcs.																																																
Page 10		Refer to Cylinder Heads, Valves and Rocker Arms. Change 35P2493 (ref. 20) Bolt to 35P3175 (same as 35P2493). Add new group (Blue Engine).																																																	
	W. I. D. No.	<table border="0"> <tr> <td data-bbox="402 415 570 443">Ind. Ford No.</td> <td data-bbox="672 415 1211 443">CYLINDER HEADS, VALVES AND ROCKER ARMS</td> </tr> <tr> <td data-bbox="228 470 331 497">35P3217</td> <td data-bbox="428 470 1365 527">448680 Head - assembly, Gasoline - LP Gas..... 2 Includes the following 8 parts:</td> </tr> <tr> <td data-bbox="228 527 331 554">35P2475</td> <td data-bbox="428 527 1365 554">405429 Valve - intake, std. .... 4</td> </tr> <tr> <td data-bbox="228 554 331 581">35P2476</td> <td data-bbox="428 554 1365 581">405430 Valve - intake, .0078 (0.20 MM) O.S. .... 4</td> </tr> <tr> <td data-bbox="228 581 331 609">35P3195</td> <td data-bbox="428 581 1365 609">448894 Valve - exhaust, std. .... 4</td> </tr> <tr> <td data-bbox="228 609 331 636">35P3196</td> <td data-bbox="428 609 1365 636">448895 Valve - exhaust, .0078 (0.20 MM) O.S. .... 4</td> </tr> <tr> <td data-bbox="228 636 331 663">35P3202</td> <td data-bbox="428 636 1365 663">444927 Seal - valve stem oil..... 8</td> </tr> <tr> <td data-bbox="228 663 331 690">35P3234</td> <td data-bbox="428 663 1365 690">750403 Spring - valve..... 8</td> </tr> <tr> <td data-bbox="228 690 331 718">35P3203</td> <td data-bbox="428 690 1365 718">447024 Retainer - valve spring..... 8</td> </tr> <tr> <td data-bbox="228 718 331 745">35P2482</td> <td data-bbox="428 718 1365 745">559505 Lock - valve spring retainer..... 16</td> </tr> <tr> <td data-bbox="228 745 331 772">35P2473</td> <td data-bbox="428 745 1365 772">405223 Tappet - valve..... 8</td> </tr> <tr> <td data-bbox="228 772 331 800">35P3185</td> <td data-bbox="428 772 1365 800">425494 Rod - push, valves..... 8</td> </tr> <tr> <td data-bbox="228 800 331 827">35P3233</td> <td data-bbox="428 800 1365 827">710263 Shaft - valve rocker arm..... 2</td> </tr> <tr> <td data-bbox="228 827 331 854">35P2484</td> <td data-bbox="428 827 1365 854">405230 Arm - assembly, valve rocker..... 8</td> </tr> <tr> <td data-bbox="228 854 331 882">35P2485</td> <td data-bbox="428 854 1365 882">405233 Support - shaft, valve rocker arm, oil inlet..... 2</td> </tr> <tr> <td data-bbox="228 882 331 909">35P3204</td> <td data-bbox="428 882 1365 909">447066 Spring - valve rocker arm..... 2</td> </tr> <tr> <td data-bbox="228 909 331 936">35P2487</td> <td data-bbox="428 909 1365 936">405234 Support - shaft, valve rocker arm, oil inlet..... 2</td> </tr> <tr> <td data-bbox="228 936 331 963">35P3212</td> <td data-bbox="428 936 1365 963">447094 Washer - shaft, valve rocker arms..... 4</td> </tr> <tr> <td data-bbox="228 963 331 991">35P2489</td> <td data-bbox="428 963 1365 991">226555 Pin - roll, valve rocker arms..... 4</td> </tr> <tr> <td data-bbox="228 991 331 1018">35P2490</td> <td data-bbox="428 991 1365 1018">226985 Plug - shaft, valve rocker arm..... 4</td> </tr> <tr> <td data-bbox="228 1018 331 1045">35P2491</td> <td data-bbox="428 1018 1365 1045">541824 Screw - adjusting, valve clearance..... 4</td> </tr> <tr> <td data-bbox="228 1045 331 1073">35P2492</td> <td data-bbox="428 1045 1365 1073">405237 Cover - valve rocker arm support..... 2</td> </tr> <tr> <td data-bbox="228 1073 331 1100">35P3175</td> <td data-bbox="428 1073 1365 1100">239645 Bolt - hex., cover, valve rocker arms..... 4</td> </tr> <tr> <td data-bbox="228 1100 331 1127">35P2494</td> <td data-bbox="428 1100 1365 1127">225225 Washer - flat, support bolt..... 2</td> </tr> </table>	Ind. Ford No.	CYLINDER HEADS, VALVES AND ROCKER ARMS	35P3217	448680 Head - assembly, Gasoline - LP Gas..... 2 Includes the following 8 parts:	35P2475	405429 Valve - intake, std. .... 4	35P2476	405430 Valve - intake, .0078 (0.20 MM) O.S. .... 4	35P3195	448894 Valve - exhaust, std. .... 4	35P3196	448895 Valve - exhaust, .0078 (0.20 MM) O.S. .... 4	35P3202	444927 Seal - valve stem oil..... 8	35P3234	750403 Spring - valve..... 8	35P3203	447024 Retainer - valve spring..... 8	35P2482	559505 Lock - valve spring retainer..... 16	35P2473	405223 Tappet - valve..... 8	35P3185	425494 Rod - push, valves..... 8	35P3233	710263 Shaft - valve rocker arm..... 2	35P2484	405230 Arm - assembly, valve rocker..... 8	35P2485	405233 Support - shaft, valve rocker arm, oil inlet..... 2	35P3204	447066 Spring - valve rocker arm..... 2	35P2487	405234 Support - shaft, valve rocker arm, oil inlet..... 2	35P3212	447094 Washer - shaft, valve rocker arms..... 4	35P2489	226555 Pin - roll, valve rocker arms..... 4	35P2490	226985 Plug - shaft, valve rocker arm..... 4	35P2491	541824 Screw - adjusting, valve clearance..... 4	35P2492	405237 Cover - valve rocker arm support..... 2	35P3175	239645 Bolt - hex., cover, valve rocker arms..... 4	35P2494	225225 Washer - flat, support bolt..... 2	
Ind. Ford No.	CYLINDER HEADS, VALVES AND ROCKER ARMS																																																		
35P3217	448680 Head - assembly, Gasoline - LP Gas..... 2 Includes the following 8 parts:																																																		
35P2475	405429 Valve - intake, std. .... 4																																																		
35P2476	405430 Valve - intake, .0078 (0.20 MM) O.S. .... 4																																																		
35P3195	448894 Valve - exhaust, std. .... 4																																																		
35P3196	448895 Valve - exhaust, .0078 (0.20 MM) O.S. .... 4																																																		
35P3202	444927 Seal - valve stem oil..... 8																																																		
35P3234	750403 Spring - valve..... 8																																																		
35P3203	447024 Retainer - valve spring..... 8																																																		
35P2482	559505 Lock - valve spring retainer..... 16																																																		
35P2473	405223 Tappet - valve..... 8																																																		
35P3185	425494 Rod - push, valves..... 8																																																		
35P3233	710263 Shaft - valve rocker arm..... 2																																																		
35P2484	405230 Arm - assembly, valve rocker..... 8																																																		
35P2485	405233 Support - shaft, valve rocker arm, oil inlet..... 2																																																		
35P3204	447066 Spring - valve rocker arm..... 2																																																		
35P2487	405234 Support - shaft, valve rocker arm, oil inlet..... 2																																																		
35P3212	447094 Washer - shaft, valve rocker arms..... 4																																																		
35P2489	226555 Pin - roll, valve rocker arms..... 4																																																		
35P2490	226985 Plug - shaft, valve rocker arm..... 4																																																		
35P2491	541824 Screw - adjusting, valve clearance..... 4																																																		
35P2492	405237 Cover - valve rocker arm support..... 2																																																		
35P3175	239645 Bolt - hex., cover, valve rocker arms..... 4																																																		
35P2494	225225 Washer - flat, support bolt..... 2																																																		

Ref. No.	Part No.	DESCRIPTION	No. Pcs.
Page 12		Refer to Oil Pump and Engine Oil Pan. Add to description 35P2525 (ref. 17) Bolt: Silver Engine only.	
Page 14		Refer to Fuel Filter and Fuel Pump.	
6	35P3164	++97327-S8 Clamp - hose.....	2
	35P3216	++448299 Pump - assembly, fuel.....	1
		Add to description 35P2543 (ref. 12) +Gasket, Silver Engine	
13	35P3177	After 35P2544 (ref. 13) Bolt add the following:	
14	35P3225	++239785 Bolt - hex., strainer cover & gasket assembly.....	1
		++634366 *Diaphragm assembly.....	1
		Change 35P2356 (ref.26) **Gasket to 35A12962 (same as 35P2356)	
27	35P3230	After 35P2536 (ref. 27) *Kit add the following: ++710189 *Kit - fuel pump repair.....	1
		Change 35P2355 (ref. 30) **Cover to 35A12961 (same as 35P2355) . ++NOTE: Only used on Blue (new style) Engine.	
Page 16		Refer to Water Pump.	
4	35P3213	After 35P2506 (ref. 4) *Impeller add the following: 447103 *Impeller - water pump.....	1
Page 18		Refer to Engine Oil Filter.	
		Change 35A1295 (ref. 4) Hose to 35A9128 (Sub.)	
		Add new group (Blue Engine).	
13	10A16904	Air Cleaner - gasoline.....	1
13	36A14039	Air Cleaner - LPG (late engines).....	1
		Each includes the following 3 parts:	
14	10P1872	Base - assembly (gasoline-not available for LP Gas).....	1
15	10P1873	Filter - air cleaner.....	1
16	10P1874	Cover - filter.....	1
		GM120240 - Nut, wing, No. 10-32.....	1
	10A8042	Clamp - air cleaner, 2-1/8", gasoline.....	1
		50A3657 - Bolt, hex., 5/16"-18 x 1-1/4".....	1
		50A3730 - Nut, hex., 5/16"-18.....	1
17	36A9861	Adapter - air cleaner, gasoline (early engines).....	1
17	35A14037	Adapter - air cleaner, gasoline (late engines).....	1
18	36A9928	Adapter - air cleaner, LP Gas (Early Engines).....	1
19	35A9950	Bolt - hex., 6M (.23) x 1.00 Threads x 60MM (2.362).....	1
20	35A9563	Band - adapter, rubber, 2" O.D. x 1" long, gasoline.....	2
	35A14038	Hose - carb. to air cleaner, 2-1/8" I.D. x 1-5/8" long, LPG....	1
		50A4290 Clamp - hose, 2-3/8", LPG.....	2
21	35A9926	Hose - crankcase, 3/4" I.D. x 17-1/2" long (early engines)....	1
		50A4298 - Clamp, hose, 1" (early engines).....	2
		50A5908 - Hose, adapter to valve cover, 1/2" x 5" (later engines).....	1
		50A4306 - Clamp, hose, 3/4".....	2
22	35P2371	Tube - assembly, mounts in crankcase (early engines).....	1

Ref. No.	Part No.	DESCRIPTION	No. Pcs.
Page 20		Refer to Starter. After 35P2608 (ref. 4) Switch, add the following:	
4	35P3229	*710173 Switch - assembly, solenoid.....	1
5	35P2460	*206436 Washer - lock.....	1
14	35P3191	After 35P2616 (ref. 14) Bushing, add the following:	
15	35P3228	*436606 Bushing - cover, drive end.....	1
		*710172 Drive - assembly, starting motor.....	1
		*NOTE: Used on Blue (new style) Engine.	
Page 22		Refer to Distributor Assembly. After 35P2397 (ref. 19) Cap, add the following: Includes Brush Assembly, 35P2632. Add new group (Blue Engine).	
	W.I.D. No.	Ind. Ford No.      DISTRIBUTOR ASSEMBLY AND MOUNTING PARTS	
	35P3205	447067      Distributor - assembly.....	1
		Includes the following 15 parts:	
	35P3210	447085      Bushing - distributor drive shaft.....	1
	35P2399	231275      Pin - roll.....	1
	35P2622	548362      Ring - locking, weights.....	2
	35P3189	436515      Spring - plate, contact breaker.....	1
	35P3190	436516      Spring - distributor weights.....	1
	35P2625	548363      Ring - cam locking.....	1
	35P3209	447084      Plate - assembly, distributor breaker.....	1
	35P3220	464163      Set - points, distributor contact.....	1
	35P3207	447077      Clamp - distributor cap.....	2
	35P3211	447088      Unit - assembly, vacuum.....	1
	35P3206	447071      Condenser - distributor.....	1
	35P2396	425981      Rotor - assembly.....	1
	35P2632	694577      Brush - assembly.....	1
	35P3232	710254      Cap - distributor.....	1
	35P2398	405532      Gear - distributor drive.....	1
	35P2401	425587      Clamp - distributor.....	1
	35P2402	229366      Bolt - clamp, with lock washer.....	1
	-----	-----      Hose - vacuum line to distributor, 11" long...	1
Page 24		Refer to Radiator, Fan, Thermostat Housing. Change 50A4297 (ref. 20) Clamp to 50A4291 and description to: Clamp, hose, 1-1/4".	
Page 26		Refer to Carburetor - Gasoline Engine. After 35P2593 (ref. 35) Housing, add the following:	
35	35P2387	425103 Housing - throttle plate (Blue Engine).....	1
	35P2610	204736 Nut - hex., M8, DIN 934.....	2
49	35P3236	After 35P2604 (ref. 49) *Gasket, add the following: 425221 *Gasket - body to housing.....	1

Ref. No.	Part No.	DESCRIPTION	No. Pcs.
Page 28		<p>Refer to Wiring Harness, Alternator, Horn.  Change description 35A9855 (ref. 1) Harness to:  wiring, with 2 - 14 amp. and 2 - 30 amp. fuses.  Change 35P2634 (ref. 2) coil to 10A16817 &amp; description to:  Coil - 12V., neg. ground, Delco-Remy #1115068 (35P2634)  Change 35P2635 (ref. 3) Wire to 10A10119 &amp; description to:  Wire - coil, high tension, with nipples (35P2635)  Add the following:  50A4329 - Nipple, wire, distributor end, also coil end  with Ford coil..... 1  50A4330 - Nipple, wire, coil end, Delco-Remy coil (Silver  and Blue Engine)..... 1  Change 35A9931 (ref. 5) Wire to 35A4770 &amp; description to:  Wire - coil to distributor W/Ford gauges &amp; qty. from 2 to.... 1  Add to description 35P2638 (ref. 6) used on Silver Engine  Strap: used with Ford coil.  Add to description 50A3646 (ref. 6) Bolt: on Silver Engine  used with Ford coil.  Add to description 50A1898 (ref. 6) Nut: on Silver Engine,  used with Ford coil.  Add to description 50A3653 (ref. 6) Bolt: used with Ford  coil and quantity from 1 to..... 2  Add to description 50A4202 (ref. 6) Washer: used with  Ford coil and quantity from 1 to..... 2  Add to description 50A4250 (ref. 6) Washer: used with  Ford coil and quantity from 1 to..... 2  Change 50A2755 (ref. 18) Screw to 50A1676 and description  to: 3/8"-16 x 5/8"  After 35P2636 (ref. 4) Nipple, add the following:  50A2349 - Nipple, coil wire, distributor end (Blue Engine).. 4  After 35P2742 (ref. 23) Spark Plug, add the following:  Spark Plug - engine (Auto Lite #AG22) (Blue Engine)..... 4</p>	
23	35P3208		
Page 30		<p>Refer to Throttle Controls.  Add * to 35A9705 (ref. 6) Rod  Add the following:  **Rod - throttle, lower, 3/16" x 8-1/4"..... 1  Add * to 35A9706 (ref. 7) Rod  Add the following:  **Rod - throttle, upper, 3/16" x 10-3/8", gasoline units..... 1  Change FT2451 (ref. 12) Strap to 10A14445 (sub) and add  to description: 3/4" x 5-1/4" (FT2451)  Add the following:  *NOTE: Used on MSB Lift Trucks thru ser. #34100375 incl.  **NOTE: Used on MSB LIFT Trucks ser. #34100376 &amp; after.</p>	
6	35A11714		
7	35A11715		
Page 31		<p>Refer to Instrument Panel &amp; Instruments.  Change 35A8590 (ref. 2) Hour Meter to 35A11087 (sub.)  Change 35A7738 (ref. 5) Gauge to 35A11008 (sub.)  Change 35A4770 (ref. 6) Wire to 35A8195 (sub.) &amp; change  description to read: Wire - hourmeter to ground  Change 35A7737 (ref. 9) **Gauge to 35A11006 (sub.)  After 50A4555 (ref. 12) **Bushing, add the following:  **50A2481 - Elbow, street, 1/8"-90°..... 1</p>	
Page 32		<p>Refer to Fuel Tank - Gasoline.  Correct quantity 50A1900 (ref. 3) Nut from 10 to..... 5  Change 30A1541 (ref. 18) Washer to 10A25005 (sub.)</p>	



Ref. No.	Part No.	DESCRIPTION	No. Pcs.
Page 34	35P3134	Refer to LP Gas Equipment. Change *GM177923 (ref. 4) Pin to 50A3782 (sub.) After 35P1774 (ref. 5) *Clamp, add the following: Includes the following part: Toggle assembly with yoke, pin & strap..... Change 35P516 (ref. 5) **Strap to 35A12206 (same as)	1
Page 35	35A4959	Refer to LP Gas Equipment (Cont'd) After 35A10155 (ref. 32) Hose, add the following: 50A4386 - Elbow, hose to coupling, 1/4" NPT x 3/8"..... Change 35P519 (ref. 35) Coupling to 35A9482 (same as) Add the following: Latch - retaining..... 50A3660 - Bolt, hex., 3/8"-16 x 1"..... 50A1900 - Nut, hex., 3/8"-16.....	1 1 2 2
	10R1300	Change 35P517 (ref. 36) Coupling to 35A9481 (same as) Change 35P515 (ref. 39) Valve to 35A9480 (same as) Change 35P525 (ref. 40) Switch to 35A9483 (same as) After 10A2640 (ref. 40) Wire, add the following: 50A2486 - Coupling, 3/8"..... Change quantity 35P1310 (ref. 48) Clamp from 1 to..... Add the following: Oil - LP Gas Engine (case of 24 quarts).....	1 2 1
Page 36	35P2358	Refer to Transmission Case. Change 50A4445 (ref. 1) Plug to 50A5724 (sub.) & add to description: external hex. After 50A3671 (ref. 15) Bolt, add the following: Pin - dowel.....	2 6
	35A11713	Add the following: Bolt - hex., M10 X 1.5 x 40MM long, grade 5..... Change quantity 35A9945 (ref. 19) Nut from 4 to..... and description to: M10 x 1.5 x 40MM	2 2
Page 42		Refer to Transmission Control Valve & Controls. Change 50A4445 (ref. 2) Plug to 50A5724 (sub.) & add to description: external hex. Change 35A1250 (ref. 10) Valve to 35A12245 (sub.)  Refer to Brakes (Self-Adjusting) & Linkage. See Sup. "A", page 12 Change 35A7798 (ref. 20) Shaft to 35A11636.	
Page 50		Refer to Steering Gear (Cont'd) Change quantity GM109365 (ref. 63) Fitting from 2 to.....	1
		Refer to Power Steering Motor, Valve & Lines. See Sup. "A", page 6. Change 35A10499 (ref. 24) Bracket to 36A10499. Change 50A3680 (ref. 24) Bolt to 50A1164 (sub.)	
Page 52		Refer to Steering Axle & Wheels. Change F399 (ref. 16) Bearing to 35A342 (same as)	

Ref. No.	Part No.	DESCRIPTION	No. Pcs.
Page 54	10P1591	Refer to Frame & Counterweight. After 36A9798 (ref. 1) *Frame, add the following: 50A954 - Plug, pipe, sump, 1/8", used with simplex upright .	1
Page 56		Refer to Hood, Side Grille & Overhead Guard. Change 50A3917 (ref. 5) Screw to 50A4714 (sub.) After 50A3730 (ref. 17) Nut, add the following: 50A1900 - Nut, 3/8"-16.....	2
Page 60		Refer to Hydraulic Pump. Add to description 35P2063 (ref. 22) Piston: Without power steering Add the following: Piston - with power steering.....	1
22		Add to description 35P2064 (ref. 26) Valve: relief Add to description 35P2065 (ref. 27): less power steering Add the following:	
Page 62		Refer to Mast Control Levers & Valve. Change 35P1034 (ref. 26) Plug to 35A12341 (sub.) Add the following: Seal - quad ring, 1-3/8" I.D., for 35A12341.....	1
Page 66		Add to description 15P747 (ref. 27) Gasket: use with 35P1034 & 35A3118.	
Page 67		Refer to Duplex Mast. Change GM191758 (ref. 1) Fitting to 50A4629 (sub.) & quantity from 4 to..... Delete all ref. 7, ref. 8, ref. 9 Add the following: Roller - assembly, with bearing, replaces 35A3691 roller, 35A3687 bearing, 50A1677 Snap Ring.....	2
Page 70		Change GM102592 (ref. 24) Set Screw to GM102582 (correction)	10
Page 67	Refer to Duplex Mast (Cont'd) Change 35A7070 (ref. 44) Strap to 35A11249 (sub.) and description to: Clamp - vent hose, 5-1/4" Delete GM133073 (ref. 44) Screw		
Page 70	Refer to Simplex Mast- Group I Delete ref. 9, ref. 10, ref. 11 Add the following: Roller - assembly, with bearing, replaces 35A3691 roller, 35A3687 - bearing, 50A1677 - Snap Ring.....	10	
Page 71	Change ----- (ref. 29) Rod to 35A4321 & delete from description: see chart on page 75.		
Page 71	Refer to Simplex Mast (Cont'd) Add * to ref. 48, ref. 49, ref. 50, ref. 51 & 36A9959 Add the following: *NOTE: Used on MSB Lift Trucks thru Ser. # 34100340.		

Ref. No.	Part No.	DESCRIPTION	No. Pcs.
Page 72	35A11387 35A11388 35A11389 35A11390 10A16285	Refer to Simplex Lift Cylinder. Add the following: Spacer - oil restrictor..... Washer - perforated, oil restrictor..... Spring - oil restrictor..... Body - restrictor..... 50A4422 - Elbow, lift cylinder, 7/8"-14, 45°..... O-Ring - connector.....	          1 1 1 1 1 1
Page 75	35A9767 35A9768 35A9769 35A9770 35A9771 35A9772 35A9774 35A9775 35A9776 35A9777 35A9778 35A9779 35A9780 35A9781 35A9782 35A9783 35A9784 35A9785 35A9786 35A9787 35A9788 35A9789 35A9790 35A9791 35A9792 35A9793 35A9794 35A9795 35A9799 35A9800 35A9801 35A9802 35A9803 35A9804 35A9805 35A9806 35A9807 35A9808	Refer to Variable Parts Chart for Simplex Mast. Delete entire Cylinder Assy. and add the following:	

Ref. No.	Part No.	DESCRIPTION	No. Pcs.
Page 76		Refer to Upright for Triplex - Group I. Change 35P1838 (ref. 5) Plug to 35P2220 (sub.). Change 35P2024 (ref. 5A) Plug to 35P3122. Change 35P1845 (ref. 13) Pin to 35P3133 & add to description: with holes for cotter pins (35P1845). Add to description 35P1844 (ref. 14) Retainer: for 35P1845 pin Add the following:	
14	35P3118	Pin - cotter, for 35P3133 pin.....	8
	35P3123	After 35P1852 (ref. 26) Latch, add the following: Stop Block - center channel.....	2
	35P1863	50A3694 - Bolt, hex., 5/8"-11 x 1".....	2
	35P3121	Shim - stop block.....	AR
		Washer - thrust, sheave.....	8

Ref. No.	Part No.	DESCRIPTION	No. Pcs.
		Add new group for MSB 30 & 35.	
		UPRIGHT FOR TRIPLEX TRI-FREE LIFT (Cascade Viewmast) For MSB 30 and 35	
1	-----	*Channel - outer assembly.....	1
2	-----	*Channel - center assembly.....	1
3	-----	*Channel - inner assembly.....	1
		*NOTE: Order above parts by M.F.H. and O.A.H.L.	
4	35A4046	Bushing - channel mounting.....	2
		50A1268 - Screw, bearing cap, 5/8"-11 x 2-1/2".....	4
5	35P2220	Plug - channel, outer and inner.....	14
5A	35P3122	Plug - channel, center.....	12
6	35P1839	Shim - bearing.....	A.R.
7	35P1840	Bearing - channels, outer and inner.....	4
7A	35P2025	Bearing - channels, center.....	4
	-----	Bolt - hex., 3/8"-24 x 1/2".....	16
8	35P1841	Trip.....	1
9	-----	Bolt - hex., 3/8"-24 x 1".....	2
10	35P1830	Pad.....	1
11	-----	Bolt - hex., 1/4"-28 x 3/8".....	2
	35P1863	Shim - pad.....	A.R.
12	35P2022	Rod - lift.....	2
13	35P3133	Pin - rod and anchor.....	4
14	35P3118	Pin - cotter.....	8
15	35P2023	Anchor - chain, outer channel.....	2
17		GM114498 - Nut, hex. jam, 5/8"-18.....	2
18		50A1011 - Nut, hex., (Nylock) 5/8"-18.....	2
19	35P1849	Keeper - pins, center channel.....	1
19A	35P2036	Keeper - pins, inner channel.....	1
20	-----	Bolt - hex., 3/8"-24 x 1/2".....	2
21	35P1830	Pad - center channel.....	1
	35P1863	Shim - pad.....	1
22	-----	Bolt - hex., 1/4"-28 x 3/8".....	2
	35P3123	Block - stop, on intermediate channel.....	2
		50A3694 - Bolt, hex., 5/8"-11 x 1".....	2
23	35P1850	Pin - latch, center channel.....	2
23A	35P2035	Pin - latch, inner channel.....	-
24	-----	Bolt - hex., socket, 5/16"-18 x 1".....	1
25	35P1851	Spring - latch, center channel.....	2
25A	35P2037	Spring - latch, inner channel.....	1
26	35P1852	Latch - lift, center channel.....	2
27	35P2038	Latch - lift, inner channel, L.H. ....	1
27A	35P2039	Latch - lift, inner channel, R.H. ....	1
28	35P2026	Sheave - chain, lower.....	2
29	35P2028	Sheave - chain, upper.....	2
30	-----	Fitting - grease, straight, 1/4"-28.....	4
	35P3121	Washer - thrust, sheave.....	8
31	35P2027	Shaft - sheaves.....	4
32		50A4115 - Screw, set socket, jam, 1/4"-20 x 3/8".....	4
33	-----	Set Screw - hex. socket, 5/16"-24 x 5/8".....	4
34	-----	Chain - lift, 5/8" pitch BL534.....	2

Ref. No.	Part No.	DESCRIPTION	No. Pcs.
Page 78		Refer to Triplex Tri-Free Lift Cylinder - Group II.	
		After 35P2047 (ref. 6) Plunger, add the following:	
	35P2704	Valve - relief.....	1
	35P2705	"O" Ring - valve.....	1
	35P2706	Washer - valve.....	1
35P2707	Ring - snap, valve retainer.....	1	
	Change 35P1210 (ref. 13) ** Ring to 35P2882.		
	Change 35P1216 (ref. 22) ** Ring to 35P2646 (sub.).		
	Change 35P1837 (ref. 36) Washer to 35P2990 (correction).		

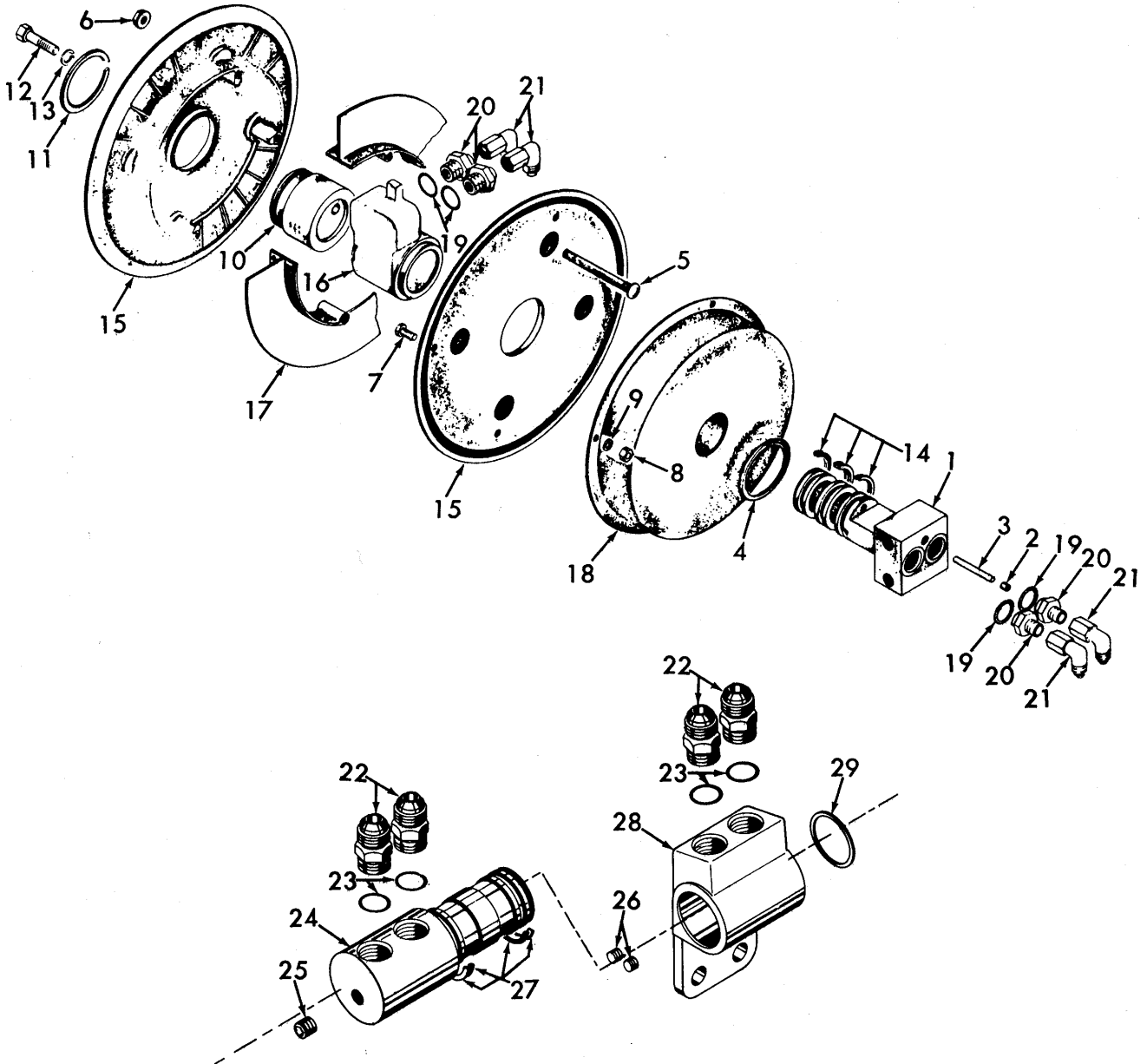
Ref. No.	Part No.	DESCRIPTION	No. Pcs.
		Add new group for MSB 30 & 35.	
		TRIPLEX TRI-FREE LIFT CYLINDER (Cascade Viewmast) 4" Diameter, for MSB 30 and 35	
1	-----	*Cylinder - assembly, complete.....	1
		*NOTE: Order above part by M.F.H. and O.A.H.L. Each includes the following 37 parts:	
2	35P3148	Shell - cylinder, outer, for 70" O.A.H.L. mast.....	1
2	35P3149	Shell - cylinder, outer, for 76" O.A.H.L. mast.....	1
2	35P3150	Shell - cylinder, outer, for 82" O.A.H.L. mast.....	1
3	35P833	Screw - button head, cylinder shell.....	1
4	35P832	**Seal - button head screw.....	1
	35P3157	Fitting - shell vent, 5/16" x 1/8" N.P.T. ....	1
5	35P3151	Tube - cylinder, intermediate, for 70" O.A.H.L. mast.....	1
5	35P3152	Tube - cylinder, intermediate, for 76" O.A.H.L. mast.....	1
5	35P3153	Tube - cylinder, intermediate, for 82" O.A.H.L. mast.....	1
6	35P3154	Plunger - cylinder, inner, for 70" O.A.H.L. mast.....	1
6	35P3155	Plunger - cylinder, inner, for 76" O.A.H.L. mast.....	1
6	35P3156	Plunger - cylinder, inner, for 82" O.A.H.L. mast.....	1
		Includes the following 4 parts:	
	35P2704	Valve - relief.....	1
	35P2705	"O" Ring - valve.....	1
	35P2706	Washer - valve.....	1
	35P2707	Ring - snap, valve retainer.....	1
7	35P3144	**Ring - wiper, intermediate tube.....	1
8	35P3143	**Spring - garter, wiper ring.....	1
9	35P3142	Retainer - wiper ring.....	1
10	10A7846	**"O" Ring - retainer.....	1
14	35P3141	**Packing - tube bushing.....	1
15	35P2066	**Ring - wiper, plunger.....	1
16	35P2067	**Spring - garter, wiper ring.....	1
17	35P2157	Retainer - plunger wiper ring.....	1
18	35P2068	**"O" Ring - wiper retainer.....	1
19	35P2155	Piston.....	1
20	35P2069	**Packing - piston.....	1
21	35P2070	**"O" Ring - piston, inner.....	1
22	35P3158	**Ring - back-up, "O" Ring.....	1
23	35P2156	Ring - snap, piston retainer.....	1
24	35P3146	Bearing - intermediate tube.....	1
25	35P3145	Ring - bearing retainer.....	1
26	35P3147	Ring - snap, bearing.....	1
27	35P3137	Head - cylinder.....	1
28	10A13793	**"O" Ring - cylinder head, lower.....	1
29	35P3138	**Ring - back-up, head, "O" ring.....	1
30	35P3139	**Ring - cylinder, head, upper (nylon).....	1
	35P3159	Repair Kit -for cylinder.....	1
		**NOTE: Repair Kit consists of the above items identified by a double asterisk (**).	
31	35P3140	Nut - lock, cylinder head.....	1
33	35P2743	Body - restrictor.....	1
34	10A16285	"O" Ring - body.....	1
35	35A4932	Spring - oil restrictor.....	1
36	35P2990	Washer - perforated, oil restrictor.....	1
37	35P148	Spacer - oil restrictor.....	1

Ref. No.	Part No.	DESCRIPTION	No. Pcs.
Page 80		Refer to Cross Head for Upright. Add new group - for MSB 30 & 35.	
		CROSS HEAD FOR UPRIGHT (Cascade Viewmast) For MSB 30 and 35	
1	35P2049	Cross Head - upright.....	1
2	-----	Bolt - socket head, 1/4"-20 x 1-1/4".....	2
3	35P1830	Pad - head.....	1
	35P1863	Shim - pad.....	1
4	35P2728	Bolt - flat head, hex. socket, 1/4"-28 x 3/8".....	2
5	35P2026	Sheave - cross head.....	2
	35P3160	Washer - thrust, sheave.....	4
6	35P2027	Shaft - sheave.....	2
7	-----	Socket Jam Screw - 1/4"-20.....	2
8	-----	Set Screw - cup point, hex. socket, 1/4"-20 x 3/8".....	2
9	-----	Fitting - grease, straight, 1/4"-28.....	2
10	35P2052	Shoe - head.....	2
11	-----	Bolt - hex. socket, (nylock), 5/16"-24 N.F. x 3/4".....	2
12	-----	Bolt - hex. socket, 5/8"-11 x 1".....	2
13	35P2053	Shim - shoe.....	A.R.
		ADAPTING PARTS FOR TRIPLEX TRI-FREE LIFT (Cascade Viewmast) for MSB 20 and 25	
	35A4046	Bushings - axle.....	2
		50A4629 - Fitting, grease, 1/8" straight.....	2
	35A7349	Tube - vent, U-shaped, 1/4" O.D. x 3/8" O.D. tubing.....	1
	35A7333	Hose - vent, 1/4" I.D. x 33" long.....	1
	35A7307	Elbow - vent hose, 90°, 1/4"-18 N.P.T. ....	1
		50A3573 - Clamp, hose, 7/16".....	2



Ref. No.	Part No.	DESCRIPTION	No. Pcs.
Page 81		Refer to Carriage for Triplex Tri-Free Lift. Add new group for MSB 30 & 35  CARRIAGE FOR TRIPLEX TRI-FREE LIFT (Cascade Viewmast) For MSB 30 and 35	
1	-----	Carriage - assembly, order from Mobilift Sales Department .. Includes the following parts:	1
2	35P2054	Wear Pad - carriage.....	2
	35P2221	Keeper.....	2
	35P2732	Bolt - hex. ....	4
3	-----	Bolt - hex. socket, flat head, 1/4"-28 x 1/2".....	4
4	35P2055	Shim - wear pad.....	A.R.
5	35P1865	Roller - assembly, carriage guides.....	4
6	-----	Bolt - hex. socket, 1/2"-13 x 1-1/2".....	4
7	35P1866	Nut - bolt, roller support, 1/2"-13.....	4
8	-----	Screw - adjusting, roller assembly, half dog, nylock, 5/8"-11 x 1".....	4
	-----	Screw - hex. socket jam, 5/8"-11.....	4
	35P3114	Roller - carriage.....	4
	35P3115	Bushing - roller..... 50A2846 - Roll pin, roller.....	4
	35P3116	Pin - roller.....	4
	35P3117	Washer - thrust, roller.....	8
9	35P1868	Roller - carriage.....	4
10	35P1867	Sleeve - roller.....	4
11	35P1854	Washer - roller, inner.....	4
12	-----	Fitting - grease, straight, 1/4"-28.....	5
13	35P1869	Plug - roller, outer.....	4
14	35P1864	Screw, hex. socket, 5/16"-18 x 1".....	2
15	35P2056	Bar - yoke.....	1
16	35P2057	Yoke - carriage.....	1
	-----	Bolt - hex., 3/8"-24 N.F. x 2".....	2
Page 82		Refer to Triplex Mast Low-Free (Knickerbocker) Group I. After ----- (ref. 47) Carriage, add the following: Includes the following 5 parts:	
Page 84		Refer to Lift Cylinder Low-Free (Knickerbocker) Group II. Change description 35P2344 (ref. 1) *Cylinder to read: *Cylinder - with base, assembly Change 35A7070 (ref. 20) Strap to read: Clamp - vent hose (sub.) Delete all GM133056 (ref. 20) Screw. Delete all GM120375 (ref. 20) Nut.	
20	35A11249		
Page 86		Refer to Sheave Take-Up for Hoses. Delete all of page 86 (Not for Sale).	

Ref. No.	Part No.	DESCRIPTION	No. Pcs.
Page 88		Refer to Hose Reels. Delete all and add new group.	
		HOSE REELS	
	-----	Reel - hose, assembly, R.H., single.....	1
	-----	Reel - hose, assembly, L.H., single.....	1
	-----	Reel - hose, assembly, R.H., double.....	1
	-----	Reel - hose, assembly, L.H., double.....	1
	-----	Reel - hose, assembly, R.H., triple.....	1
	-----	Reel - hose, assembly, L.H., triple.....	1
		Each includes the following 14 parts:	
	-----	Screw, cap, socket head, 1/2"-13 x 3-1/2".....	2
1	35P2887	Shaft - reel.....	1
2	35P2991	Set Screw - hex. socket, flat point, 5/16"-18 x 1/4".....	1
3	35P3071	Pin - shaft, single.....	1
3	35P2890	Pin - shaft, double.....	1
4	35P1644	Ring - back-up.....	1
5	35P3069	Bolt - flange, single.....	4
5	35P2891	Bolt - flange, double.....	4
	35P3168	Bolt - flange, triple.....	4
6	35P2892	Nut - bolt.....	4
7		50A3645 - Bolt, hex., 1/4"-20 x 5/8".....	4
8		50A1898 - Nut, hex., 1/4"-20.....	4
9		50A4228 - Washer, lock, 1/4".....	1
10	35P2982	Spacer - reel, double.....	1
	35P3169	Spacer - reel, triple.....	1
11	35P1184	Ring - snap, flange retainer (same as 35P3070).....	1
11	35P2989	Ring - snap, flange retainer (Spirolox RST212).....	1
12		50A3667 - Bolt, hex., 3/8"-16 x 1-1/4".....	1
13		50A4222 - Washer, lock, 3/8".....	1
14	35P2983	Kit - seals and back-up rings.....	1
15	35P2984	Flange - reel.....	2
16	35P2985	Hub - reel.....	1
17	35P2986	Divider - reel, double.....	1
	35P3170	Divider - reel, triple.....	1
18	35P2987	Spring - assembly, R.H. ....	1
18	35P2988	Spring - assembly, L.H. ....	1
19	10A16285	"O" Ring - fitting.....	4
20	35P3061	Connector - straight, 7/8"-14 to 9/16"-18, 37°.....	4
21		50A4605 - Elbow, 90°, with swivel nut.....	4
	35A12764	Block - junction, right and left hand reel.....	1
		Each includes the following 3 parts:	
24	35P2880	Shaft - junction block.....	1
25		50A4445 - Plug, hex. socket, 1/8"-27.....	1
26		50A4448 - Plug, hex. socket, 3/8"-16.....	2
27	35P2882	Kit - seals, includes seals and back-spring.....	1
28	35P2884	Body - junction block.....	1
29		50A5657 - Ring, snap (Spirolox RS137).....	1
22	35P3061	Connector - straight, 7/8"-14 to 9/16"-18, 37°.....	4
		50A5921 - Connector, 7/8"-14 to 9/16"-18, 37°.....	2
23	10A16285	"O" Ring - connector.....	4
	35A10952	Block - mounting (Simplex and Duplex Mast).....	1
	35A11091	Block - mounting (Triplex Mast, Cascade).....	1
	35A11094	Block - mounting (Triplex Mast, Knickerbocker).....	1
	35P2920	Hose - reels, 1 ft. of hose, 5/16" I.D. (Order length as needed).	-
	35P2909	Hose - 50 feet of 5/16" I.D. ....	-
		50A1722 - Fitting, hose, reusable.....	8
		50A749 - Strap, hose, rubber.....	3
		QUICK DISCONNECT COUPLERS	
	M1085	Body - quick disconnect.....	2
	M1086	Nose Piece - quick disconnect.....	2
	35A12205	Elbow - street, 1/4"-18 x 90°.....	2
	35A10616	Connector - coupler, 9/16"-18 JIC x 1/4" NPTF.....	2
	10A16405	"O" Ring - connector.....	2



Ref. No.	Part No.	DESCRIPTION	No. Pcs.
Page 90		Refer to Auxiliary Valves. Change GM180134 (ref. 1) Bolt to 50A1925 (sub.). Change GM120377 (ref. 1) Nut to 50A1900 (sub.). Change GM180122 (ref. 24) Bolt to 50A3666 (sub.). Change GM180124 (ref. 25) Bolt to 50A3667 (sub.). Change GM120377 (ref. 25) Nut to 50A1900 (sub.). Change GM120394 (ref. 25) Washer to 50A4210 (sub.).	
Page 91	35A11871	Refer to Auxiliary Valves (Cont'd). Change 35A3120 (ref. 42) Sleeve to 35A11870 (sub.) and description to read: Bushing. Add the following: Seal - quad ring, for 35A11870, 1-3/8" I.D. .... Add to description 35A3117 (ref. 43) Gasket: Copper (for 35A3120 only) After 50A2763 (ref. 48) Elbow, add the following: Angle - clip..... Clip - tubes..... 50A3658 - Bolt, hex., 5/16" x 1-1/2"..... 50A3653 - Bolt, hex., 5/16" x 1/2"..... 50A3730 - Nut, hex., 5/16"-18.....	1-1       1-1 1-1 1-2 1-1
	35A8112 35A8113		

F O R E W O R D

This catalog contains a complete list of parts for the MSB 20-25-30 and 35 Series Fork Lift Trucks. To assist in determining the part numbers and description, the parts in this catalog are grouped according to their location on the Lift Truck. Reference numbers only are shown in each illustration. These numbers correspond to those in the reference number column in the list of parts which precedes each "exploded view".

TYPICAL PARTS ARE SHOWN, AND MAY NOT ALWAYS BE IDENTICAL WITH CURRENT PARTS. REFER TO THE TEXT.

To further assist in locating repair parts, the part numbers are arranged in numerical sequence and indexed on pages 93 thru 101 inclusive.

Component parts of assemblies are listed following the assembly itself and are identified as being part of the assembly by this notation following the description:

Consists of the following..... parts:

or

Includes the following..... parts:

Part numbers only make up an assembly. Hardware items are not to be included.

Parts such as standard bolts, nuts, screws, washers, etc., are identified and listed under the respective individual parts with which they are used. The quantity for many of the shims listed is shown as A.R. (as required). The correct amount of shims should be determined in order to get the proper clearance.

"Right or Left" is determined by facing the mast from the Lift Truck driver's platform.

When in need of repair parts always order the parts from your White Mobilift dealer nearest you. When ordering parts for engine be sure and include all the information on the Engine Serial Number Plate. All parts orders should plainly specify your name, post office address and whether shipment is to go by parcel post, express or freight.

Before returning repair parts it is necessary to secure written permission from the company authorizing the return of such parts. In the returning of repair parts be sure the package is tagged with your name and address. Prepay transportation charges.

Claims of shortage or breakage should be made to the transportation company on receipt of goods.

It is the policy of White Industrial Division, White Motor Corporation, to improve its products whenever it is possible and practical to do so. We reserve the right to make changes or add improvements in the design or construction at any time without incurring the obligation to install such changes on products previously delivered.

MSB SERIES FORK LIFT TRUCKS

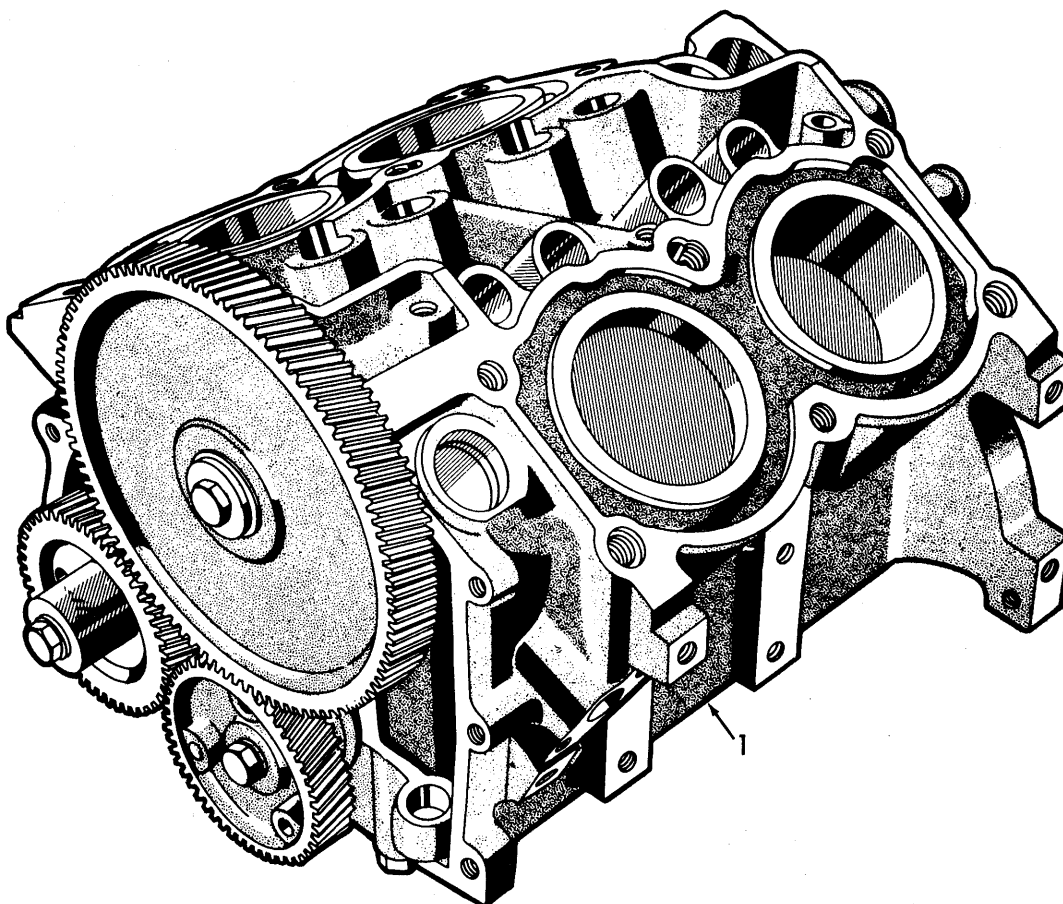
PARTS GROUP INDEX

	Page		Page
Air Cleaner	18	Instrument	31
Alternator	28	Intake Manifold	4
Auxiliary Valves	90-91	Lift Cylinder	68-72-78-84
Balance Shaft	6	Lifting Fork	74-75
Battery Box	28	Load Safety Rack	66-70
Block - short	3	LP Gas Equipment	34-35
Brakes	46	Main Bearings	6
Brake Linkages	46-47	Mast	66 thru 82
Cables	28	Motor Support	36
Camshaft	6	Muffler and Exhaust Pipes	9
Carburetor, Gasoline Engine	26	Oil Filter, Engine	18
Choke Control	31	Oil Filter, Transmission	58
Coil, Ignition	28	Oil Pump	12
Connecting Rod	8	Overhead Guard	56
Control Valve, Lift and Tilt	62	Pistons	8
Control Valve, Transmission	42	Radiator	24
Counterweight	54	Sheave Take-Up Hoses	86
Crankshaft	6	Simplex Mast and Lift Cylinder	70-72
Cylinder Block	4	Simplex Mast Chart	75
Cylinder Head	10	Spark Plug	28
Decals, Paint and Transmission Oil	17	Starting Motor	20
Distributor	22	Steering Axle and Wheels	52
Drive Axle and Wheels	44	Steering Gear	48-50
Dual Lever Control	92	Thermostat and Housing	24
Duplex Mast and Lift Cylinders	66-68	Throttle Controls	30
Duplex Mast Chart	74	Tilt Cylinder	64
Fan	24	Timing Gears	6
Flywheel	36	Transmission	38-40
Foot Accelerator	30	Transmission Case	36
Forks and Fork Extensions	74-75	Transmission Control Valve	42
Frame	54	Transmission Oil	17-36
Fuel Filler and Tank (Gasoline)	32	Triplex Mast Low Free (Knickerbocker)	82-84
Fuel Pump	14	Triplex Tri-Free Lift (Viewmast)	76 thru 81
Gasket Sets - Engine	3	Valves - Engine	10
Governor	9	Voltage Regulator	28
Head Lamp	28	Water Pump	16
Hood	56	Wheels, Drive	44
Horn	28	Wheels, Steering	52
Hose Reel	88	Wiring Harness	28
Hydraulic Oil Lines	58-59		
Hydraulic Pump	60		

NUMERICAL INDEX..... 93 thru 101

MSB SERIES FORK LIFT TRUCKS

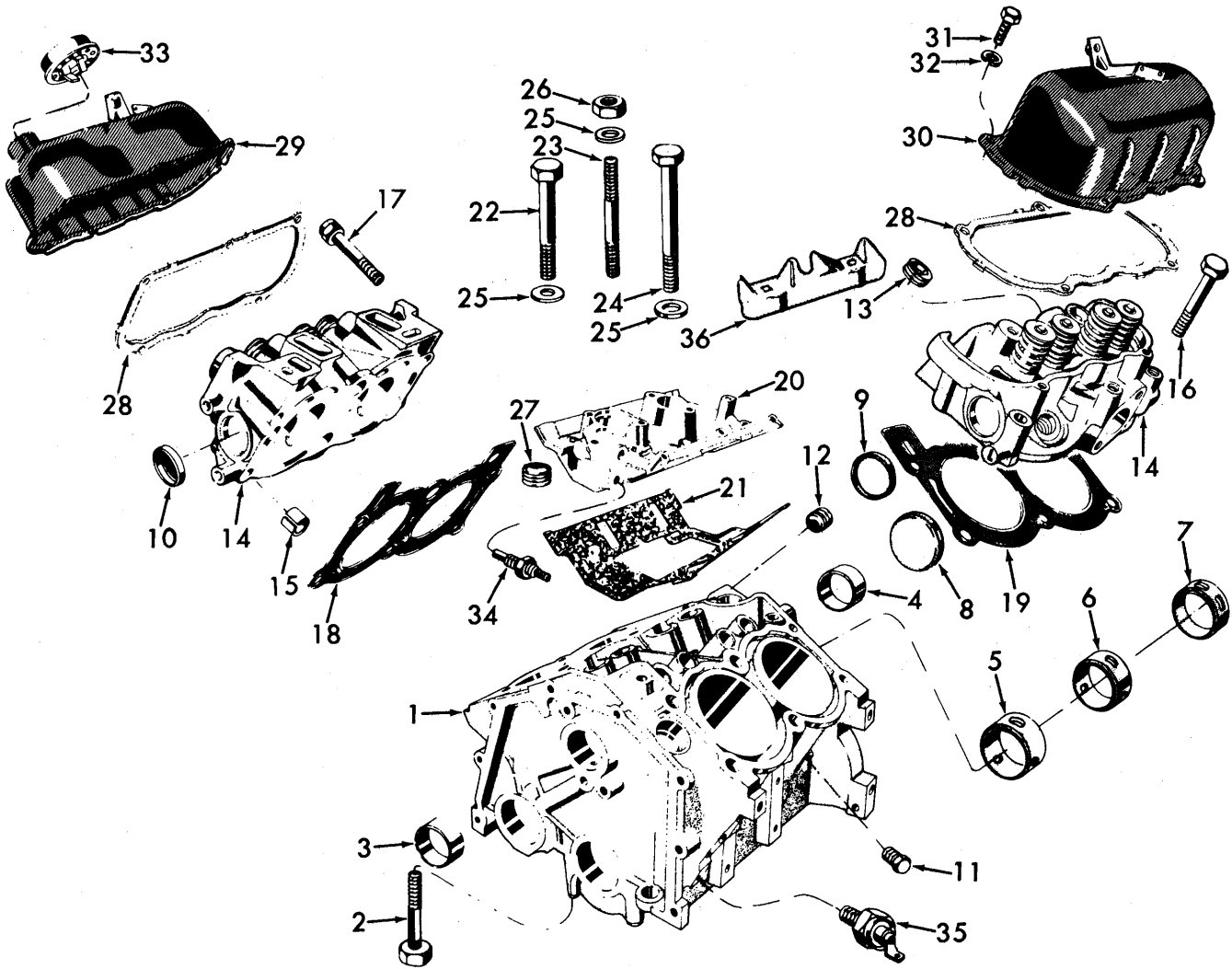
Ref. No.	Part No.	DESCRIPTION		No. Pcs.
	W.I.D. No.	Ind. Ford No.	SHORT BLOCK ASSEMBLY AND GASKETS SETS	
1	35P2412	425919	Block - assembly, short .....	1
	35P2413	546318	Kit - gaskets and seals, engine overhaul .....	1
			Consists of the following 22 parts:	
	35P2383	440958	Gasket - cylinder head, front .....	1
	35P2384	440959	Gasket - cylinder head, rear .....	1
	35P2386	405468	Gasket - valve rocker arm cover .....	2
	35P2352	405093	Gasket - oil pan .....	1
	35P2354	405164	Gasket - timing gear cover .....	1
	35P2467	405318	Gasket - cover plate .....	1
	35P2385	425819	Gasket - intake manifold to cylinder .....	1
	35P2378	436884	Gasket - water outlet connection .....	1
	35P2500	405400	Seal - gasket, water pump .....	1
	35P2501	405404	Gasket - water pump cover .....	1
	35P2505	425686	Seal - assembly, water pump .....	1
	35P2513	405144	Gasket - oil pump to block .....	1
	35P2524	405831	Gasket - oil pump body to inlet tube flange .....	1
	35P2529	405095	Seal - oil pan, rear .....	1
	35P2527	228195	Gasket - oil pan drain plug .....	1
	35P2530	405583	Seal - crankshaft, main bearing cap, rear .....	2
	35P2448	405576	Seal - crankshaft, rear oil .....	1
	35P2389	436204	Gasket - carburetor to intake manifold .....	1
	35P2471	405392	Seal - assembly, balance shaft, front .....	1
	35P2350	406307	Gasket - exhaust pipe to cylinder head .....	2
	35P2356	405218	Gasket - fuel pump mounting .....	1
	35P2543	209355	Gasket - fuel pump strainer .....	1



MSB SERIES FORK LIFT TRUCKS

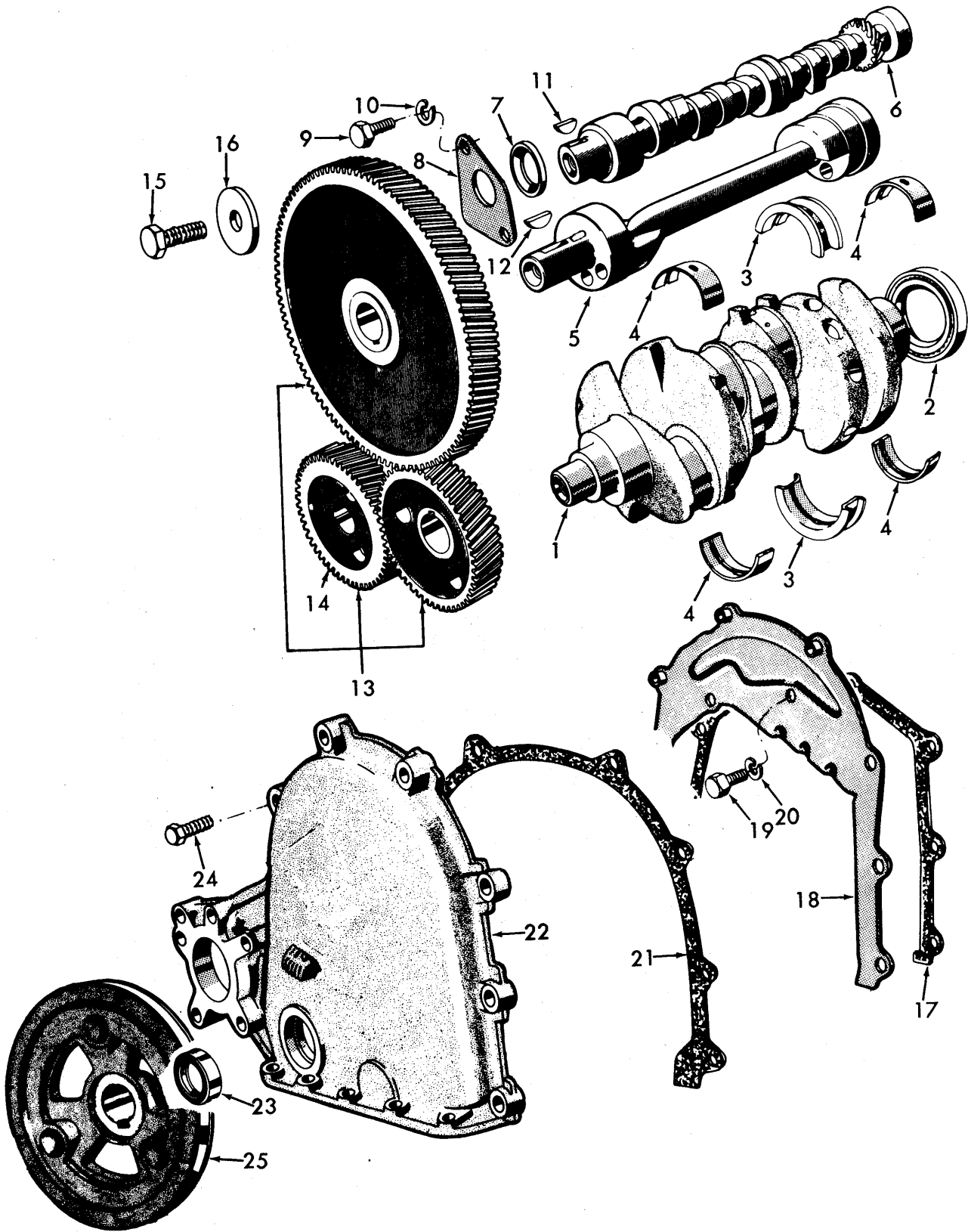
Ref. No.	Part No.	DESCRIPTION		No. Pcs.
	W.I.D. No.	Ind. Ford No.	CYLINDER BLOCK, HEAD ASSEMBLY AND INTAKE MANIFOLD	
1	-----	544420	Block - assy., cyl., order 35P2412 short block assy. ...	1
2	35P2416	425408	Bolt - hex., crankshaft main bearing cap .....	6
3	35P2417	405584	Bearing - balance shaft, front, std. ....	1
3	35P2418	405585	Bearing - balance shaft, front, .015 U.S. ....	1
4	35P2419	405586	Bearing - balance shaft, rear, std. ....	1
4	35P2420	405587	Bearing - balance shaft, rear, .015 U.S. ....	1
5	35P2421	405588	Bearing - camshaft, front, std. ....	1
5	35P2422	405589	Bearing - camshaft, front, .015 U.S. ....	1
6	35P2423	405590	Bearing - camshaft, center, std. ....	1
6	35P2424	405591	Bearing - camshaft, center, .015 U.S. ....	1
7	35P2425	405592	Bearing - camshaft, rear, std. ....	1
8	35P2426	405021	Plug - camshaft opening.....	1
9	35P2427	405086	Plug - balance shaft opening.....	1
10	35P2428	228355	Plug - cylinder head.....	4
11	35P2429	231285	Plug - hex., 1/4"-18.....	1
12	35P2430	230730	Plug - block, 1/8"-27.....	2
13	35P2431	225255	Plug - cylinder head.....	2
14	35P2432	405933	Head - assy., with valves (gas) see page 10 for breakdown	2
14	35P2415	-----	Head - assy., with valve (LP Gas Engine) see page 10 for breakdown.....	2
15	35P2433	425452	Dowel - cylinder head to cylinder block.....	4
16	35P2434	228345	Bolt - hex., cylinder head to block.....	11
17	35P2435	230555	Bolt - hex., cylinder head to block.....	1
18	35P2383	440958	*Gasket - cylinder head, front.....	1
19	35P2384	440959	*Gasket - cylinder head, rear.....	1
20	35P2436	436278	Manifold - assembly, intake.....	1
	35P2391	212265	Plug - water outlet on intake manifold, M16 x 1.5 ....	1
21	35P2385	425819	*Gasket - intake manifold.....	1
22	35P2437	288995	Bolt - hex., intake manifold.....	2
23	35P2438	229695	Stud - intake manifold.....	2
24	35P2439	227675	Bolt - hex., intake manifold.....	2
25	35P2440	206036	Washer - flat.....	6
26	35P2441	232755	Nut - hex. ....	2
27	35P2431	225255	Plug - pipe.....	2
28	35P2386	405468	*Gasket - cover, valve rocker arm.....	2
29	35P2442	436662	Cover - assembly, valve rocker arm, front.....	1
30	35P2443	436661	Cover - assembly, valve rocker arm, rear.....	1
31	35P2444	202716	Bolt - hex., valve rocker arm.....	10
32	35P2445	228335	Washer - lock.....	10
33	35P2446	425921	Cap - assembly, oil filler.....	1
34	35P2360	C3AZ-10884-A	Unit - sending, water temperature gauge.....	1
35	35P2361	B6A-9278-A	Unit - sending, oil pressure gauge.....	1
36	35P2633	405235	Baffle - oil.....	2
			*NOTE: In kit 35P2413 Engine Gasket Set.	





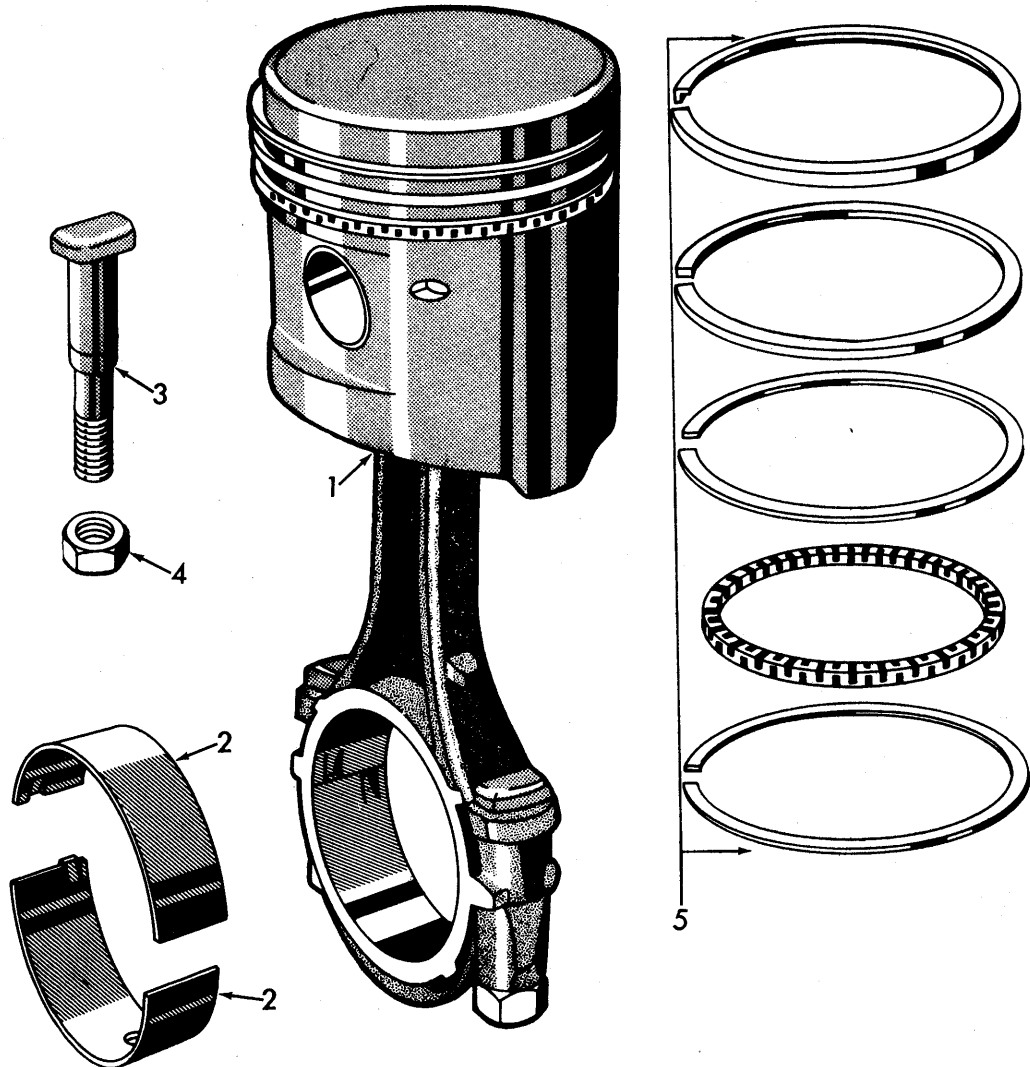
MSB SERIES FORK LIFT TRUCKS

Ref. No.	Part No.	DESCRIPTION		No. Pcs.
	W.I.D. No.	Ind. Ford No.	CRANKSHAFT, MAIN BEARINGS, CAMSHAFT, BALANCE SHAFT, TIMING GEARS AND TIMING GEAR COVER	
1	35P2447	405645	Crankshaft - engine.....	1
2	35P2448	405576	*Seal - oil, crankshaft rear.....	1
3	35P2449	436090	Bearing - crankshaft, center, (half), std., red .....	2
3	35P2450	436091	Bearing - crankshaft, center, (half), .0005 O.S., blue	2
3	35P2451	436093	Bearing - crankshaft, center, (half), .0098 (.25 MM) . U.S. ....	2
4	35P2452	436083	Bearing - crankshaft, front and rear, (half), std., red .	4
4	35P2453	436084	Bearing - crankshaft, front and rear, (half), .0005 O.S. blue .....	4
4	35P2454	436086	Bearing - crankshaft, front and rear, (half), .0098 (.25 MM) U.S. ....	4
5	35P2455	405889	Shaft - balance, engine.....	1
6	35P2456	405823	Camshaft - engine.....	1
7	35P2457	425764	Spacer - camshaft gear, std., blue .....	1
7	35P2458	425765	Spacer - camshaft gear, .0005, red .....	1
8	35P2459	425762	Plate - camshaft thrust.....	1
9	35P2357	202776	Bolt - hex., thrust plate.....	2
10	35P2460	206463	Washer - lock .....	2
11	35P2461	226395	Key - Woodruff, timing gears, crankshaft and camshaft	2
12	35P2462	226405	Key - Woodruff, gear and pulley, balance shaft .....	2
13	35P2463	436595	Gear - set, timing, (crankshaft, camshaft and balance shaft) .....	1
			Includes the following part:	
14	35P2351	C5JZ6A303-A	Gear - balance shaft (cast iron).....	1
15	35P2465	226635	Bolt - hex., timing gears.....	3
16	35P2466	230145	Washer - flat .....	3
17	35P2467	405318	*Gasket - intermediate plate.....	1
18	35P2468	405531	Plate - intermediate.....	1
19	35P2469	202746	Bolt - hex., intermediate plate .....	2
20	35P2460	206436	Washer - lock .....	2
21	35P2354	405164	*Gasket - cover, timing gears.....	1
22	35P2470	425624	Cover - timing gear .....	1
23	35P2471	405392	*Seal - balance shaft .....	1
24	35P2472	202836	Bolt - hex., timing gear cover.....	9
			*NOTE: In kit 35P2413 Engine Gasket Set.	
25	35P2507	425627	Pulley - balance shaft	1



MSB SERIES FORK LIFT TRUCKS

Ref. No.	Part No.	DESCRIPTION		No. Pcs.
	W.I.D. No.	Ind. Ford No.	PISTON AND CONNECTING ROD	
1	35P2404	425911	Piston - assembly, with connecting rod, std. ....	4
2	35P2405	405654	Bearing - connecting rod, std., half, (red).....	8
2	35P2406	405656	Bearing - connecting rods, half, .0005 U.S. (blue) ...	8
2	35P2407	405660	Bearing - connecting rods, half, .0098 (.25MM) U.S..	8
3	35P2408	405406	Bolt - connecting rods.....	8
4	35P2409	228439	Nut - bolt, connecting rod bolt .....	8
5	35P2410	436587	Kit - piston ring (set for 4 pistons), std. ....	1
5	35P2411	436588	Kit - piston ring (set for 4 pistons), .0196 O.S. ....	1

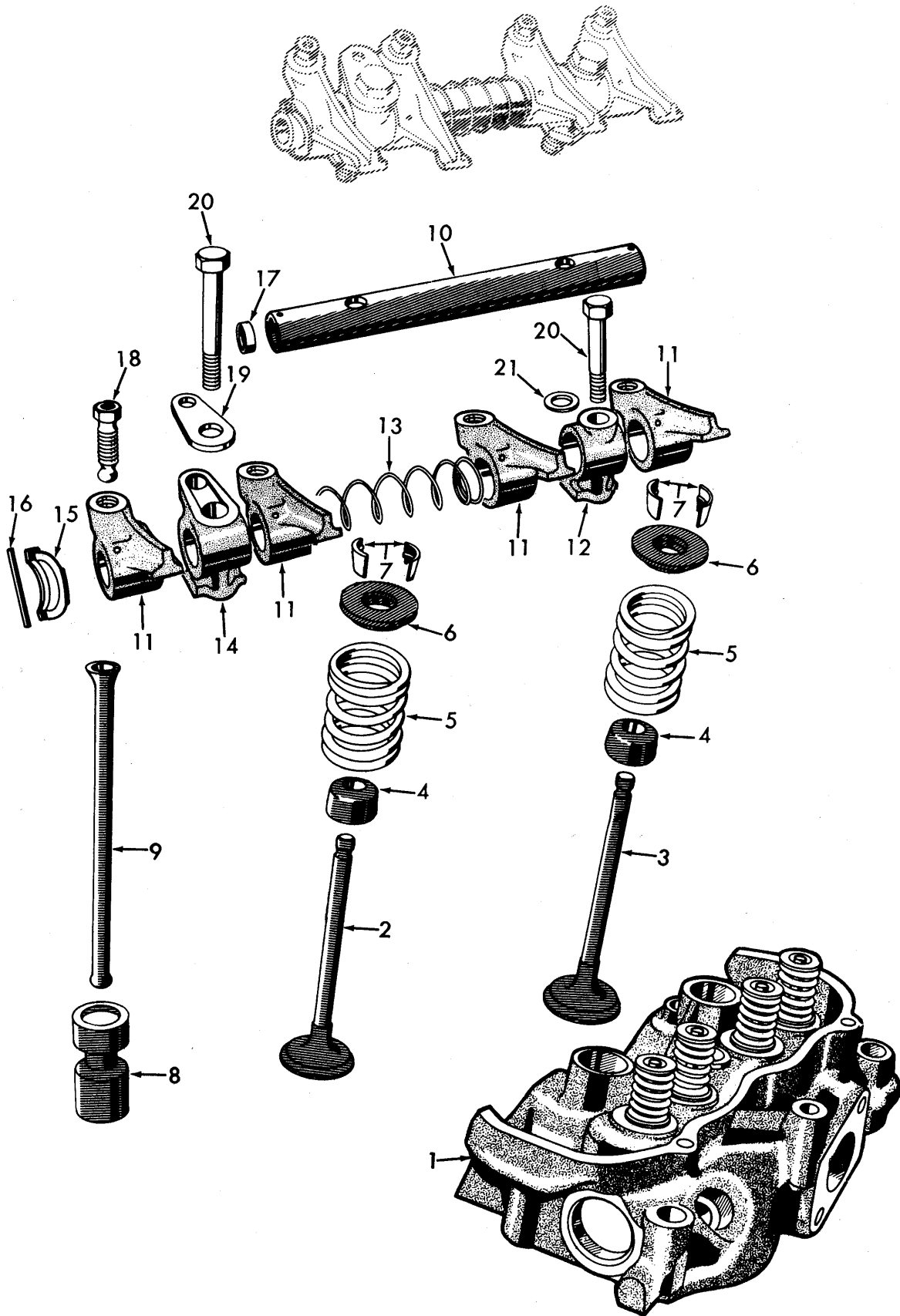


MSB SERIES FORK LIFT TRUCKS

Ref. No.	Part No.	DESCRIPTION	No. Pcs.
<b>GOVERNOR, CARBURETOR, MUFFLER AND EXHAUST PIPES</b>			
	W.I.D. No.	Ind. Ford No.	
	35A9906	-----	Governor - engine (Hoof 200-586)..... 1
			Includes the following 2 parts:
	35P2296	-----	Gasket - governor and spacers, 4 gasoline, 2 LP Gas..... 4-2
	35P2297	-----	Spacer - governor, 2 gasoline, 1 LP Gas..... 2-1
	35P2388	C6J-9484-B	Screw - hex. socket, M8 x 15MM ..... 2
	35A10041	-----	Tube - vacuum line, governor to carb., 3/16" O.D. ... 2
			50A4727 Nut - flared, 3/16" ..... 2
	35A10042	-----	Hose - tubes, 5/32" I.D. x 12" long..... 1
			50A4402 Elbow - vacuum tube, carb. to governor, 45° 2
	35P2387	C5J-Z-9485-C	Adapter - governor to intake manifold..... 1
	35P2389	436204	*Gasket - adapter to intake manifold..... 1
	35A9902	C7JZ-9510-K	Carburetor - assembly, see page 26 for breakdown..... 1
			50A1962 Bolt - hex., 5/16"-18 x 4"..... 2
			50A4202 Washer - plain, 11/32" I.D., 11/16" O.D.. 2
	35P2365	C3JZ-9369-A	Tube - fuel filter to carburetor..... 1
	35P2364	C3JZ-4327-A	Hose - connecting, fuel line to carburetor ..... 1
	35P2557	219136	Washer - flat ..... 2
	35A9901	-----	Muffler ..... 1
	35A9899	-----	Tail Pipe - muffler ..... 1
	35A9909	-----	Clamp - tail pipe to mufflers, 1-1/2"..... 1
	36A9860	-----	Pipe - exhaust, front, head to muffler..... 1
	36A9859	-----	Pipe - exhaust, rear, head to pipe..... 1
	35A9898	-----	Pipe - exhaust, U-shaped..... 1
	35A9897	-----	Pipe - exhaust, pipe to muffler..... 1
	35P2348	230205	Stud - exhaust pipe to cylinder heads ..... 4
	35P2349	227009	Nut - hex., exhaust pipe studs in cyl. heads ..... 4
	35P2350	406307	*Gasket - exhaust pipe to cylinder head ..... 2
	35A9911	-----	Bracket - muffler mounting ..... 1
	35A9910	-----	Clamp - muffler pipes ..... 4
	35A10109	-----	Guard - muffler ..... 1
			50A3986 Screw - rd. hd., 1/4"-20 x 1/2"..... 1
			50A1777 Nut - elastic stop, 1/4"-20 ..... 1
			*NOTE: In kit 35P2413 Engine Gasket Set.

MSB SERIES FORK LIFT TRUCKS

Ref. No.	Part No.	DESCRIPTION		No. Pcs.
	W.I.D. No.	Ind. Ford No.	CYLINDER HEADS, VALVES AND ROCKER ARMS	
1	35P2432	405933	Head - assembly, Gasoline engine.....	2
1	35P2415	-----	Head - assembly, LP Gas engine.....	2
			Each includes the following 8 parts:	
2	35P2475	405429	Valve - intake, std. ....	4
2	35P2476	405430	Valve - intake, .0078 (0.20 MM) O.S. ....	4
3	35P2477	405821	Valve - exhaust, std. ....	4
3	35P2478	405878	Valve - exhaust, .0078 (0.20 MM) O.S. ....	4
4	35P2479	405261	Seal - valve stem oil .....	8
5	35P2480	425671	Spring - valve .....	8
6	35P2481	405578	Retainer - valve spring.....	8
7	35P2482	559505	Lock - valve spring retainer .....	16
8	35P2473	405223	Tappet - valve.....	8
9	35P2474	405224	Rod - push, valves .....	8
10	35P2483	405008	Shaft - valve rocker arm .....	2
11	35P2484	405230	Arm - assembly, valve rocker.....	8
12	35P2485	405233	Support - shaft, valve rocker arm, oil inlet .....	2
13	35P2486	405236	Spring - valve rocker arm .....	2
14	35P2487	405234	Support - shaft, valve rocker arm, oil inlet.....	2
15	35P2488	405280	Washer - shaft, valve rocker arms .....	4
16	35P2489	226555	Pin - roll, valve rocker arms.....	4
17	35P2490	226985	Plug - shaft, valve rocker arm .....	4
18	35P2491	425028	Screw - adjusting, valve rocker arm .....	4
19	35P2492	405237	Cover - valve rocker arm support.....	2
20	35P2493	201385	Bolt - hex., cover, valve rocker arms.....	4
21	35P2494	225225	Washer - flat, support bolt.....	2

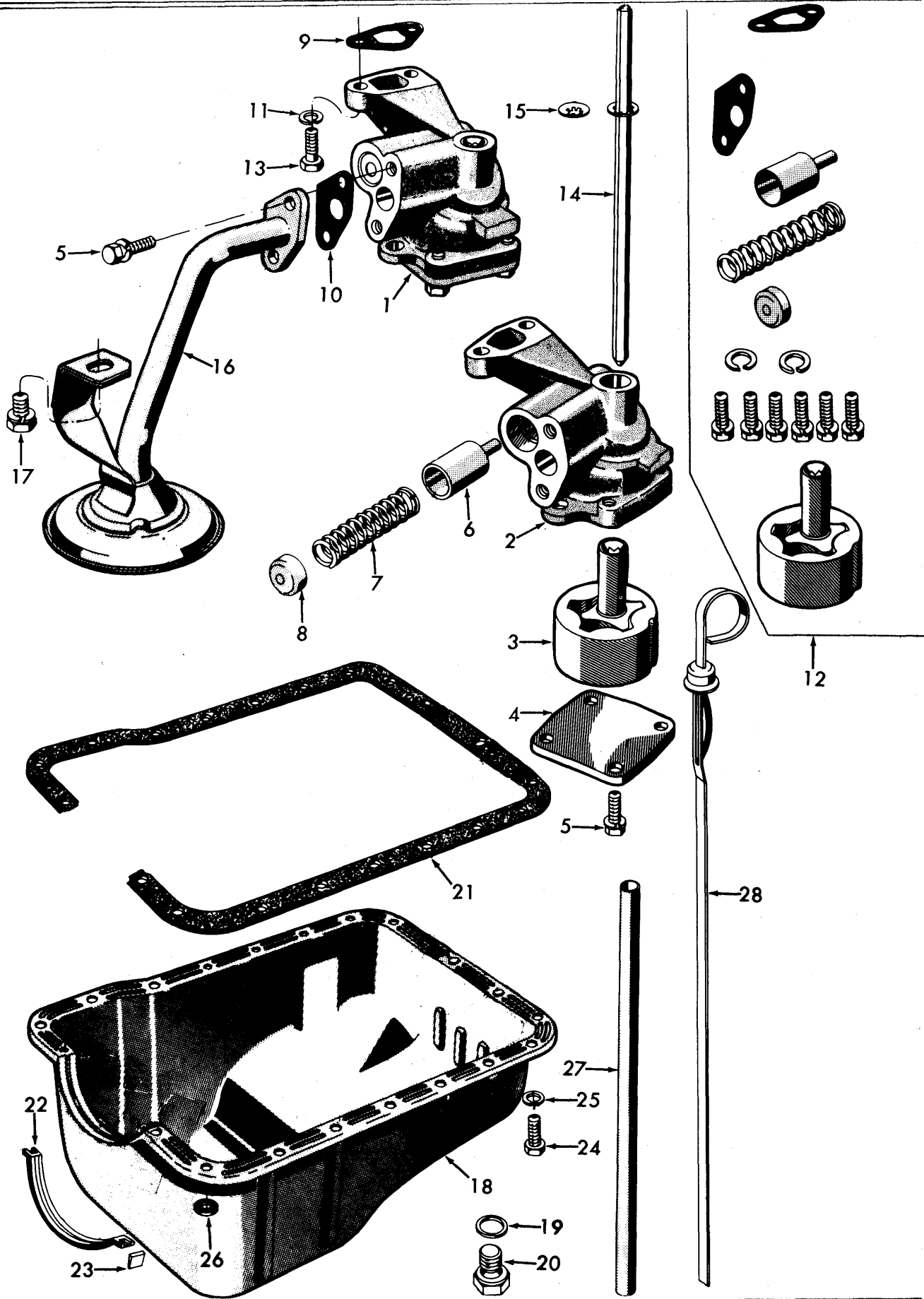


MSB SERIES FORK LIFT TRUCKS

Ref. No.	Part No.	DESCRIPTION		No. Pcs.
	W.I.D. No.	Ind. Ford No.	OIL PUMP AND ENGINE OIL PAN	
1	35P2511	425244	Pump - assembly, oil.....	1
			Includes the following 6 parts:	
2	-----	425245	Body - oil pump, order 35P2511 complete pump.....	1
3	35P2517	405011	Rotor - assembly, with drive shaft .....	1
4	35P2518	405130	*Cover - pump body.....	1
5	35P2519	226535	*Bolt - covers, with lockwasher .....	6
6	35P2520	405132	*Plunger - relief valve.....	1
7	35P2521	405131	*Spring - relief valve.....	1
8	35P2522	405133	*Plug - relief valve.....	1
9	35P2513	405144	**Gasket - oil pump to cylinder block.....	1
10	35P2524	405831	**Gasket - body to inlet tube flange .....	1
11	35P2460	206436	*Washer - lock.....	2
12	35P2512	405997	*Kit - oil pump repair .....	1
			*NOTE: Repair Kit includes parts identified with an asterisk.	
13	35P2514	233686	Bolt - hex., oil pump to cylinder block .....	2
14	35P2515	405141	Shaft - assembly, intermediate.....	1
15	35P2516	405143	Ring - retainer, intermediate shaft .....	1
16	35P2523	623171	Cover - assembly, with screen .....	1
17	35P2525	232105	Bolt - hex., tube bracket.....	1
18	35P2526	425690	Pan - assembly, engine oil .....	1
19	35P2527	228195	**Gasket - oil drain plug.....	1
20	35P2528	220036	Plug - oil drain .....	1
21	35P2352	405093	**Gasket - oil pan.....	1
22	35P2529	405095	**Seal - oil pan, rear .....	1
23	35P2530	405583	**Packing - crankshaft bearing cap .....	2
24	35P2531	230975	Bolt - hex., oil pan to cylinder block.....	18
24	35P2444	202716	Bolt - hex., oil pan, R.H. front of bearing .....	2
25	35P2445	228335	Washer - lock .....	18
26	35P2353	229155	Washer - bolts (rubber), one each used on two rear corner bolts 35P2444.....	2
27	35P2532	405867	Tube - oil level indicator .....	1
28	35P2533	405868	Dipstick - assembly, engine oil level .....	1
			**NOTE: In kit 35P2413 Engine Gasket Set.	

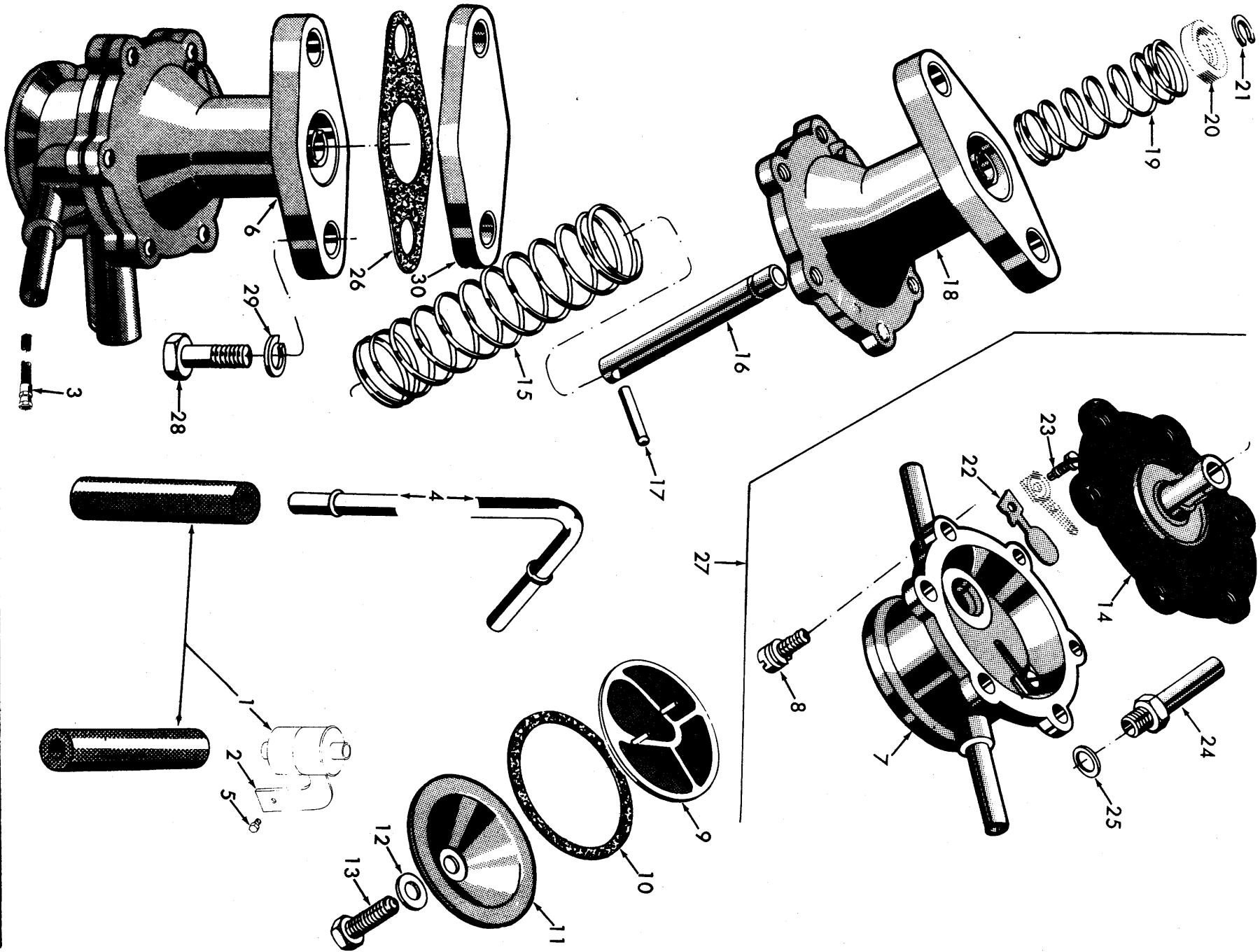


MSB SERIES FORK LIFT TRUCKS



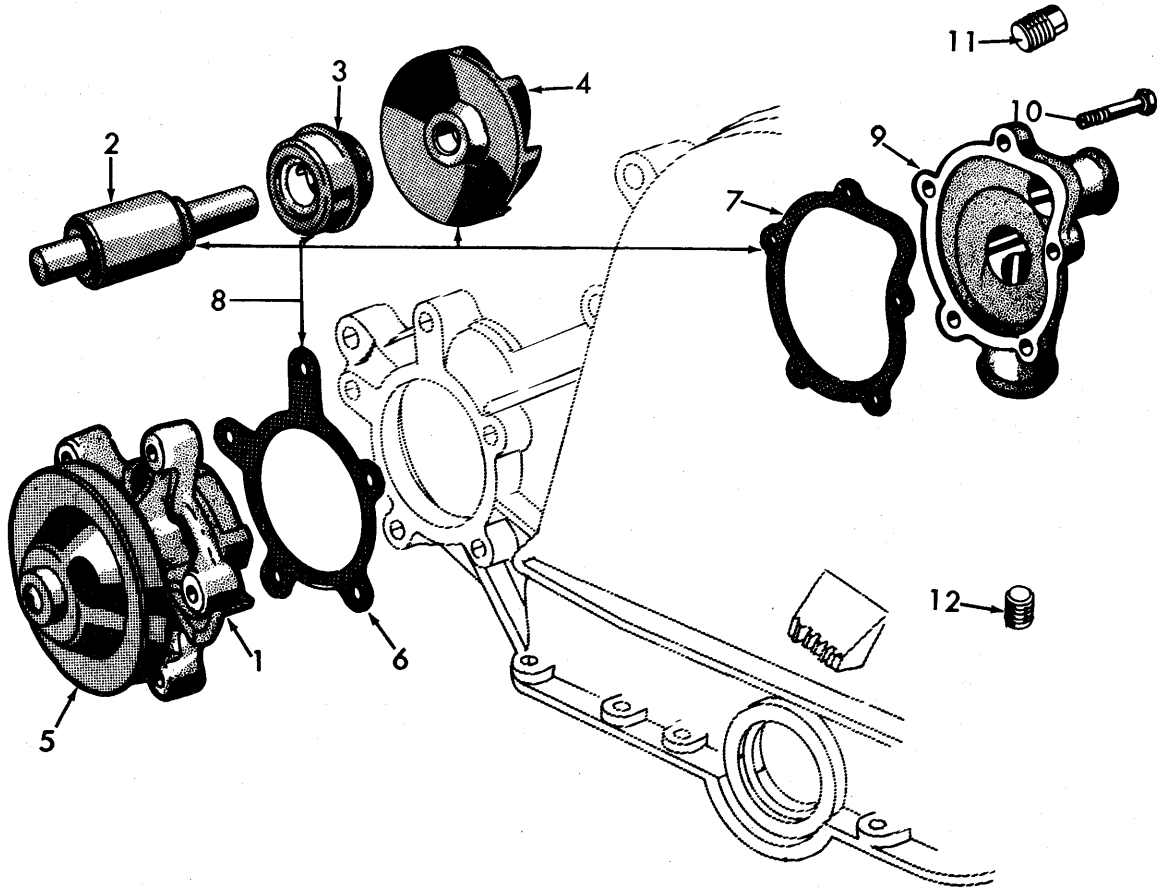
MSB SERIES FORK LIFT TRUCKS

Ref. No.	Part No.	DESCRIPTION		No. Pcs.
	W.I.D. No.	Ind. Ford No.	FUEL FILTER AND FUEL PUMP	
1	35P2362	C6JZ-9155-B	Kit - fuel filter ..... NOTE: Kit includes 1 fuel filter, 2 fuel lines and 4 clamps.	1
2	35P2363	C3JZ-9180-A	Bracket - fuel filter.....	1
3	35A10103	-----	Hose - gas tank to fuel pump, 35" long.....	1
4	35P2365	C3JZ-9369-A	Tube - fuel filter to carburetor.....	1
5	35P2366	202025	Bolt - hex., M10 x 1.5 x 15 MM.....	1
6	35P2535	425629	Pump - assembly, fuel..... Includes the following 18 parts:	1
7	-----	425792	*Body - assembly, upper, order 35P2536 kit .....	1
8	35P2539	227645	*Screw - assembly, with lockwasher .....	6
9	35P2540	557114	Strainer.....	1
10	35P2541	557115	Gasket - cap.....	1
11	35P2542	506249	Cap - strainer.....	1
12	35P2543	209355	+Gasket - bolt .....	1
13	35P2544	202926	Bolt - hex., strainer cover.....	1
14	35P2545	446069	*Diaphragm - assembly .....	1
15	35P2546	446068	Spring - diaphragm.....	1
16	35P2547	407170	Tappet.....	1
17	35P2548	407171	Pin - coupling .....	1
18	35P2549	405917	Housing - fuel pump.....	1
19	35P2550	407173	Spring - tappet .....	1
20	35P2551	407174	Retainer - spring .....	1
21	35P2552	407175	Washer - retaining.....	1
22	35P2553	207167	*Spring - leaf, valve .....	1
23	35P2554	229355	*Screw - pan head, self tapping.....	1
24	35P2555	407162	*Connection - pipe.....	1
25	35P2556	407166	*Gasket - connector .....	1
26	35P2356	405218	**Gasket - fuel pump or cover for LP gas .....	1
27	35P2536	407190	*Kit - fuel pump repair .....	1
			*NOTE: Kit consists of parts identified with a single asterisk (*).	
28	35P2538	200516	Bolt - hex., fuel pump to cylinder block .....	2
29	35P2537	405219	Rod - push, fuel pump .....	1
30	35P2355	C5JZ-6095-B	**Cover - fuel pump opening .....	1
	35P2357	202776	**Bolt - hex., M8-1.25 x 18 MM .....	2
			**NOTE: Used on units with LP Gas.	
			+ NOTE: In kit 35P2413 Engine Gasket Set.	



MSB SERIES FORK LIFT TRUCKS

Ref. No.	Part No.	DESCRIPTION		No. Pcs.
	W.I.D. No.	Ind. Ford No.	WATER PUMP	
1	35P2498	405398	Pump - water, with pulley.....	1
			Includes the following 4 parts:	
2	35P2504	405173	*Shaft - with bearing and slinger, assembly.....	1
3	35P2505	425686	**Seal - assembly, pump shaft.....	1
4	35P2506	405015	*Impeller - water pump.....	1
5	35P2508	405577	Pulley - water pump.....	1
6	35P2500	405400	**Gasket - water pump, pulley end.....	1
7	35P2501	405404	**Gasket - water pump, cover end.....	1
8	35P2499	405599	*Kit - water pump repair.....	1
			*NOTE: Kit includes parts identified with an asterisk (*).	
			**NOTE: In kit 35P2413 Engine Gasket Kit.	
9	35P2502	425861	Cover - water pump.....	1
10	35P2503	200916	Bolt - hex., water pump cover.....	5
11	35P2509	228986	Plug - pipe, water pump cover back.....	1
12	35P2510	591126	Plug - pipe, water pump cover bottom.....	1



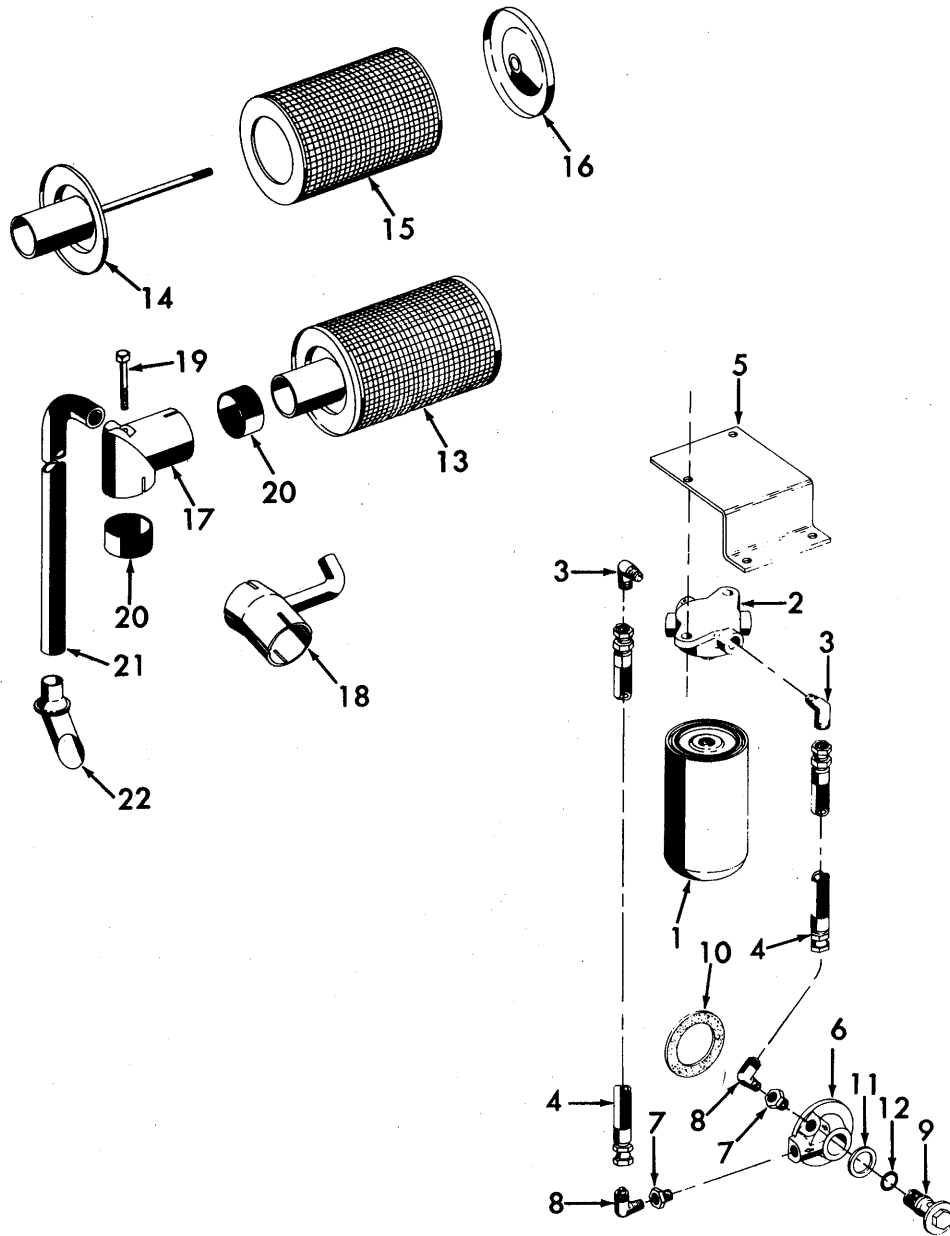
MSB SERIES FORK LIFT TRUCKS

Ref. No.	Part No.	DESCRIPTION	No. Pcs.
<b>DECALS</b>			
	35A8815	Decal - Mobilift, on mast, 2-1/2" x 15" .....	2
	35A10198	Decal - White Mobilift, 3-9/16" x 12-1/4".....	2
	35A10196	Decal - White, on mast, 3/4" x 4-1/2" .....	2
	35A10189	Decal - O .....	2
	35A10190	Decal - 2 .....	2
	35A10191	Decal - 3 .....	2
	35A10193	Decal - 5 .....	2
	35A10202	Decal - strip, truck side, 1-1/2" x 33-1/4".....	2
	35A10199	Decal - black, R.H., 4-1/4" x 6" x 6-1/2".....	1
	35A10197	Decal - black, L.H., 4-1/4" x 6" x 6-1/2".....	1
	35A8062	Decal - capacity, 2000#, 1-5/8" x 4".....	1
	35A8063	Decal - capacity, 2500#, 1-5/8" x 4".....	1
	35A8061	Decal - ramp warning, 1-3/16" x 3" .....	1
	35A8822	Decal - Mobilmatic Drive, 1-1/4" x 5-1/4".....	1
	35A10017	Decal - instructions, LP Gas, 2-15/64" x 4" .....	1
<b>PAINT</b>			
	15P1014	Paint - 16 oz. pressurized .....	-
	15P1015	Paint - quart.....	-
	15P1013	Paint - gallon.....	-
<b>TRANSMISSION OIL</b>			
	35P1755	Oil - transmission, 1 gallon (Shell Donax T-4) .....	-
	35P1756	Oil - transmission, 5 gallon (Shell Donax T-4) .....	-

MSB SERIES FORK LIFT TRUCKS

Ref. No.	Part No.	DESCRIPTION	No. Pcs.
<b>ENGINE OIL FILTER</b>			
1	35A 5533	Filter - oil, throw away.....	1
2	35A 6159	Base - filter .....	1
3		50A1909 Elbow - base, 90°, 3/8" x 9/16"-18 thread .....	2
4	35A 1295	Hose - filter, 3/8" I.D. x 21" long .....	2
Caution: Check arrows on engine inlet-outlet cover and labeling on filter base to make sure oil hoses are properly connected.			
5	35A 9869	Bracket - filter base .....	1
		50A3662 Bolt - hex., 3/8"-16 x 1/2".....	2
		50A3667 Bolt - hex., 3/8"-16 x 1-1/4".....	2
		50A1900 Nut - hex., 3/8"-16.....	4
6	35A 9874	Cover - engine, oil filter, inlet and outlet .....	1
7		50A4556 Bushing - reducer, 3/8" to 1/4".....	2
8		50A4413 Elbow - cover to hose, 90°, 1/4" x 9/16"-18 .....	2
9	35A 9871	Adapter - cover (Ford 436250).....	1
10	35A 9873	Gasket - adapter, 3" O.D. ....	1
11	35A 9887	Seal - adapter, 1/16" x 1-3/32" I.D. x 1-25/64" O.D. (Ford 233095)....	1
12	35A 9886	"O" Ring - adapter, 19/32" I.D., 29/32" O.D. (Ford 436250).....	1
<b>AIR CLEANER</b>			
13	10A 16904	Air Cleaner - assembly (Fram Corp. No. FA70-1PL).....	1
Includes the following 3 parts:			
14	10P1872	Base - assembly.....	1
15	10P1873	Filter - air cleaner .....	1
16	10P1874	Cover - filter.....	1
		GM120240 Nut - wing, No. 10-32 .....	1
		50A4289 Clamp - air cleaner, 2-1/4".....	1
17	36A 9861	Adapter - carburetor to air cleaner, gasoline engine .....	1
18	36A 9928	Adapter - carburetor to air cleaner, LP gas engine .....	1
19	35A 9950	Bolt - hex., 6M (.23) x 1.00 threads x 60MM (2.362).....	1
		50A4201 Washer - plain, 9/32" I.D., 5/8" O.D. ....	1
20	35A 9563	Band - adapter, rubber, 2" O.D. x 1" long .....	2
21	35A 9926	Hose - crankcase, 3/4" I.D. x 17-1/2" long.....	1
		50A4298 Clamp - hose, 1".....	2
22	35P2371	Tube - assembly, mounts in crankcase .....	1

MSB SERIES FORK LIFT TRUCKS

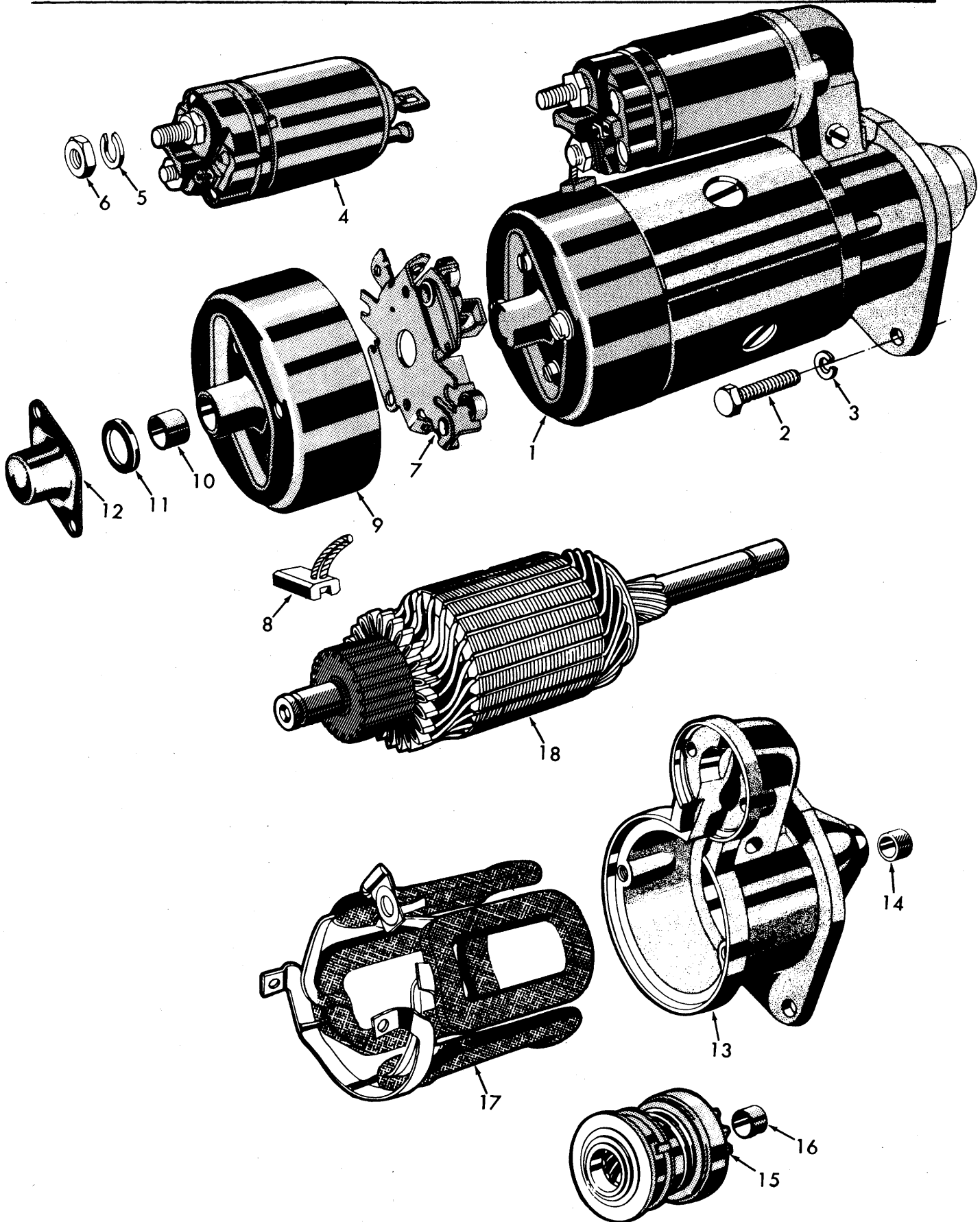


MSB SERIES FORK LIFT TRUCKS

Ref. No.	Part No.	DESCRIPTION		No. Pcs.
	W.I.D. No.	Ind. Ford No.	STARTER	
1	35P2359	436764	Starter - assembly, 12 volt .....	1
2			Includes the following 13 parts:	
3			50A3665 Bolt - hex., 3/8"-16 x 7/8".....	2
4	35P2608	444074	50A4222 Washer - lock, 3/8" .....	2
5	35P2609	34806-S	Switch - assembly, solenoid, 12 volts.....	1
6	35P2610	204736	Washer - lock .....	1
7	-----	-----	Nut - hex., solenoid terminal.....	1
8	35P2611	425706	Retainer - brushes, 12 volt, not serviced.....	1
9	35P2612	436608	Brushes - set, 12 volt .....	1
			Cover - assembly, starter .....	1
			Includes the following part:	
10	35P2613	556666	Bushing - cover .....	1
11	35P2614	541702	Gasket - cap.....	1
12	-----	-----	Cap - bushing, not serviced.....	1
13	35P2615	436605	Cover - assembly, drive end.....	1
			Includes the following part:	
14	35P2616	541693	Bushing - cover, drive end.....	1
15	35P2617	541695	Drive - assembly, starting motor .....	1
			Includes the following part:	
16	35P2618	541699	Bushing - pinion, starter drive.....	2
17	35P2619	541708	Coil - assembly, field, 12 volt.....	1
18	35P2620	425709	Armature - assembly, 12 volt.....	1

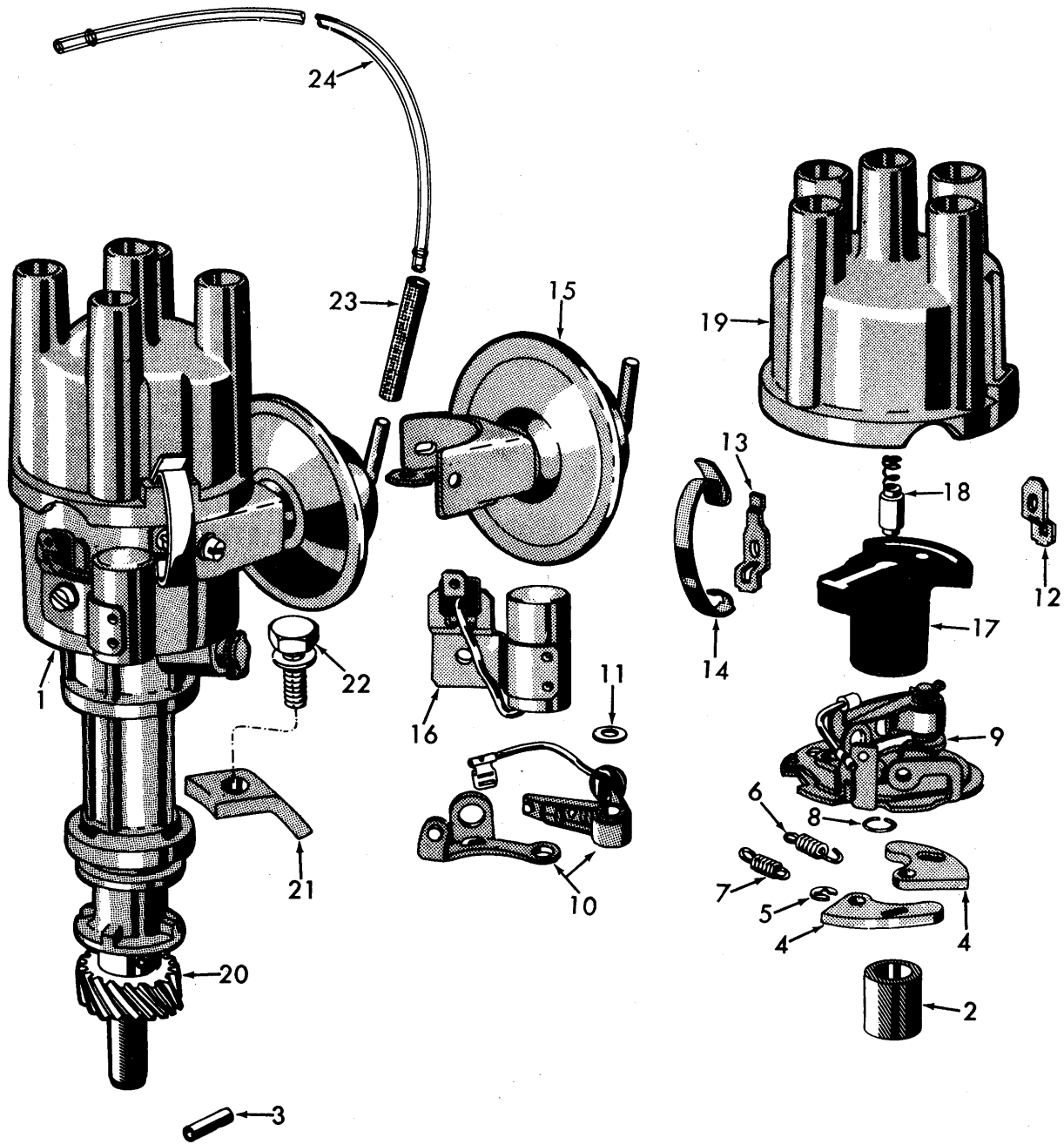


MSB SERIES FORK LIFT TRUCKS



MSB SERIES FORK LIFT TRUCKS

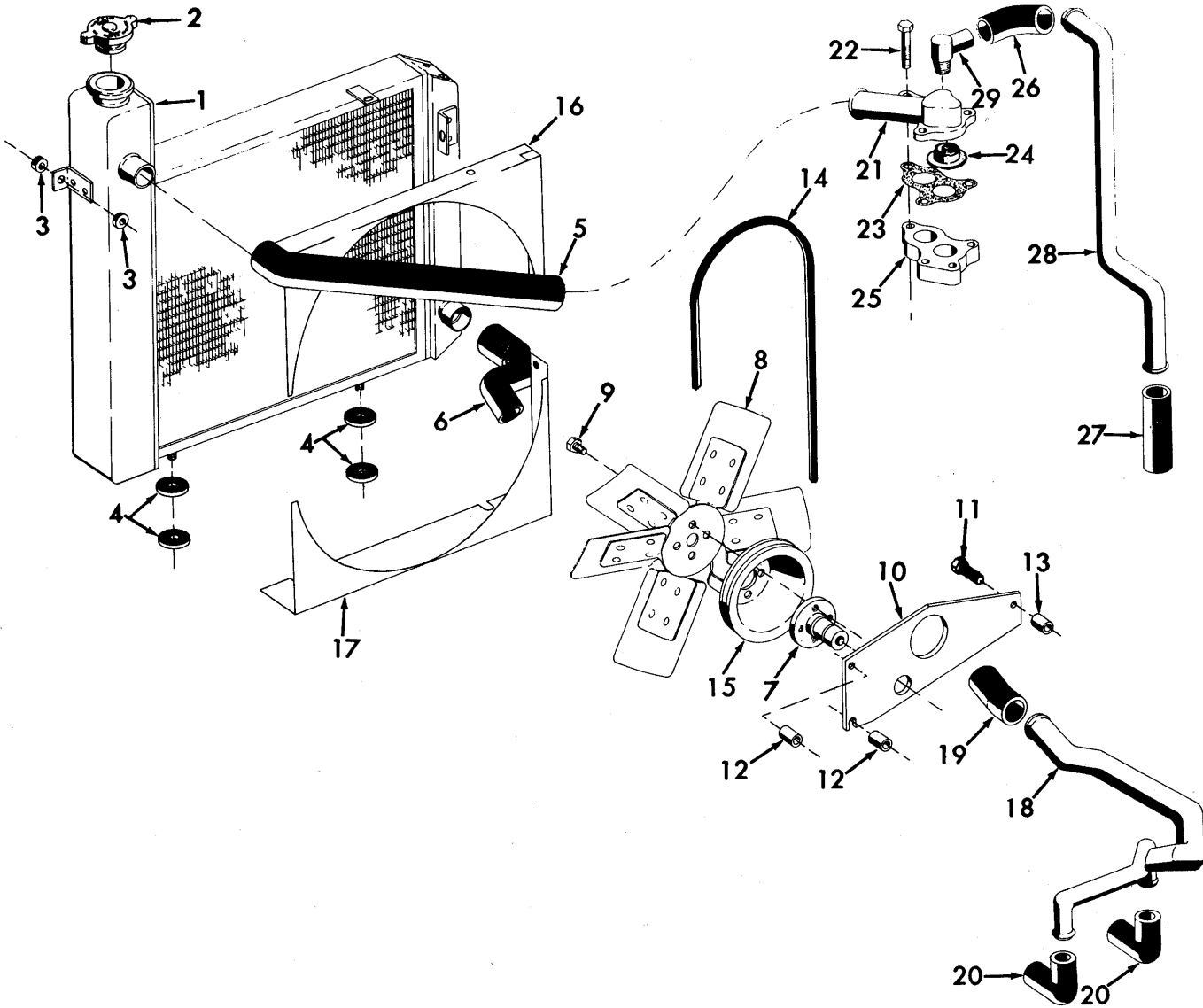
Ref. No.	Part No.	DESCRIPTION		No. Pcs.
	W.I.D. No.	Ind. Ford No.	DISTRIBUTOR ASSEMBLY AND MOUNTING PARTS	
1	35P2393	425816	Distributor - assembly .....	1
			Includes the following 9 parts:	
2	35P2400	436849	Bushing - distributor drive shaft .....	1
3	35P2399	231275	Pin - roll.....	1
4	35P2621	436850	Weight - distributor .....	2
5	35P2622	548362	Ring - locking, weights .....	2
6	35P2623	425607	Spring - plate, contact breaker .....	1
7	35P2624	425979	Spring - distributor weights .....	1
8	35P2625	548363	Ring - cam locking.....	1
9	35P2626	436983	Plate - assembly, distributor breaker.....	1
10	35P2394	425980	Set - points, distributor contact .....	1
11	35P2627	548336	Shim - distributor breaker contacts, 0.1 MM.....	1
12	35P2628	521992	Fastener - clamp.....	1
13	35P2629	521991	Fastener - clamp.....	1
14	35P2630	521161	Clamp - distributor cap .....	1
15	35P2631	425605	Unit - assembly, vacuum.....	1
16	35P2395	425977	Condenser - distributor.....	1
17	35P2396	425981	Rotor - assembly .....	1
18	35P2632	694577	Brush - assembly .....	1
19	35P2397	514417	Cap - distributor .....	1
20	35P2398	405532	Gear - distributor drive .....	1
21	35P2401	425587	Clamp - distributor.....	1
22	35P2402	229366	Bolt - clamp, with lock washer .....	1
23	35P2382	554933	Hose - vacuum line to distributor.....	1
24	35P2381	436082	Tube - vacuum .....	1



MSB SERIES FORK LIFT TRUCKS

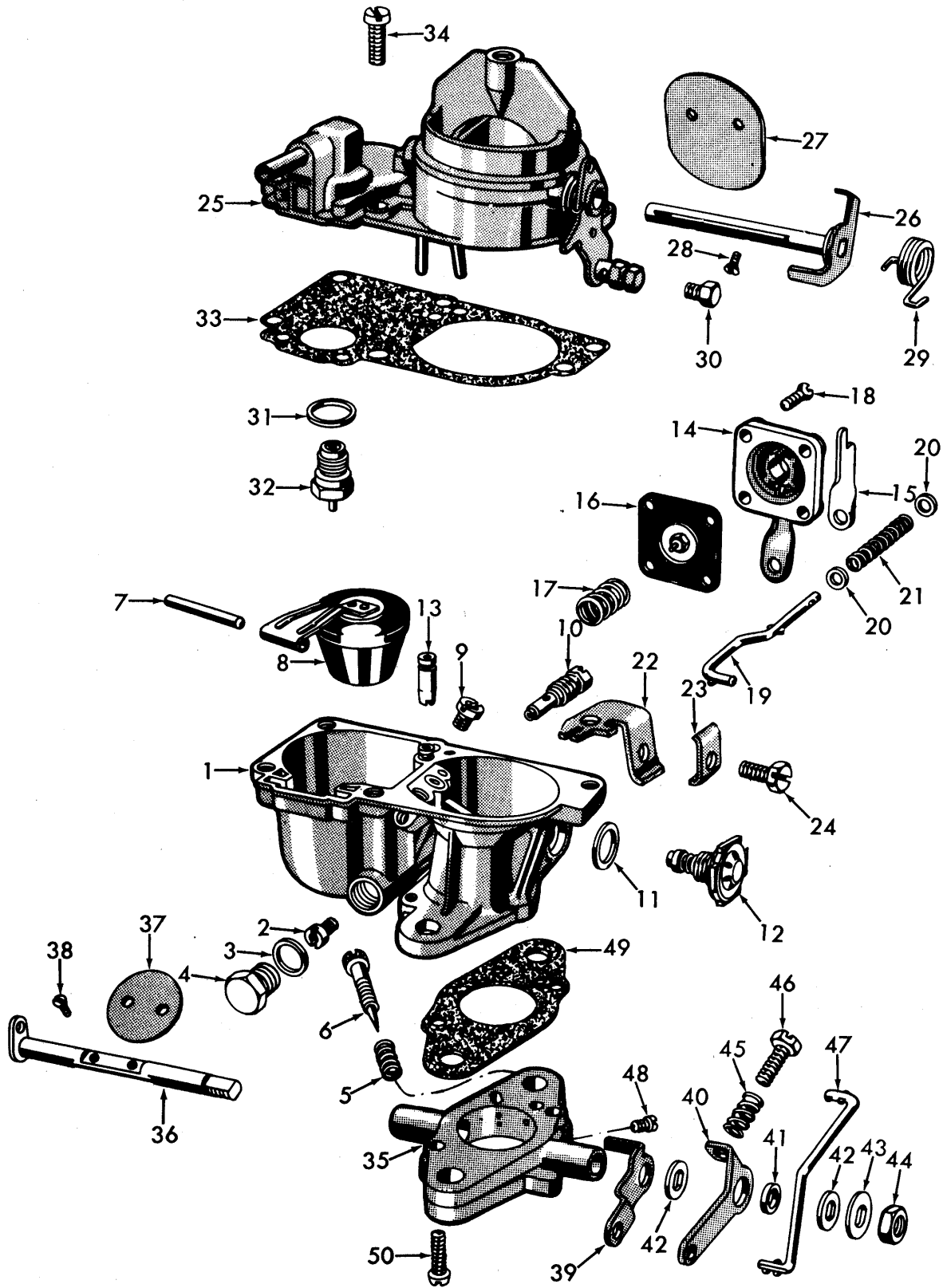
Ref. No.	Part No.	DESCRIPTION		No. Pcs.
	W.I.D. No.	Ind. Ford No.	RADIATOR, FAN, THERMOSTAT HOUSING AND WATER TUBES	
1	35A9881	-----	Radiator .....	1
			Includes the following part:	
			50A4205 Washer - plain, 7/16" I.D., 1" O.D. ....	2
			50A1986 Nut - hex., 3/8"-16.....	2
			50A3647 Bolt - hex., 1/4"-20 x 7/8" .....	1
			50A4202 Washer - plain, 5/16" I.D., 3/4" O.D. ..	1
2	35P880	-----	Cap - radiator.....	1
3	35A9920	-----	Washer - radiator (Neoprene), 1/4" x 1/4" I.D. x 3/4" O.D. ....	2
4	35A9921	-----	Washer - radiator (Neoprene), 1/4" x 3/8" I.D. x 1-1/2" O.D. ....	2
5	35A9844	-----	Hose - radiator, upper, 1-1/4" I.D. x 9" long .....	1
6	35A9858	-----	Hose - radiator, lower, 1" I.D. x 6" long .....	1
			50A4285 Clamp - hose, 1-3/8" .....	1
			50A4301 Clamp - hose, 1-5/8" .....	3
			50A5076 Pad - radiator (Polyfoam), 1" x 1" x 18" ..	3
7	14A6105	-----	Shaft - fan, with bearing and hub .....	1
8	35A9903	C5JZ-8600-C	Fan - engine, pusher, 6 blade, 14" dia. ....	1
9			50A5562 Bolt - hex., 5/16"-24 x 3/4" .....	4
10	36A9570	-----	Mount - fan shaft support.....	1
11	35A9948	21074-GS8	Bolt - mount, fan shaft.....	3
12	35A9752	-----	Spacer - fan mount, 5/8" O.D. x 1" long.....	2
13	35A9877	-----	Spacer - fan mount, 5/8" O.D. x 3/4" long.....	1
14	35A9943	-----	Belt - fan drive, 3/8" wide x 58" O.C. ....	1
15	35A10472	EDG-8509-T	Pulley - fan drive, double groove, 5-1/2" dia. ....	1
16	36A9851	-----	Shroud - fan, upper .....	1
			50A3988 Screw - slotted, 1/4"-20 x 3/8".....	3
17	36A9849	-----	Shroud - fan, lower .....	1
18	36A9842	-----	Tube - water.....	1
19	35A9816	-----	Hose - tube, 1" I.D. x 2-1/2" long, 40° bend .....	1
20	35A9817	-----	Elbow - tube, 3/4" I.D. x 90° .....	2
			50A4293 Clamp - hose, 1-7/16".....	2
			50A4296 Clamp - hose, 1-3/16".....	4
21	35P2392	544434	Housing - thermostat and water outlet.....	1
22	35P2379	201006	Bolt - hex., M8 x 50 MM .....	2
22	35P2380	201336	Bolt - hex., M8 x 60 MM .....	1
23	35P2378	436884	*Gasket - housing .....	1
24	35P2376	C5JZ-8575-B	Thermostat - engine, 160° .....	1
25	35P2377	C6JZ-8555-A	Spacer - housing, thermostat and water outlet.....	1
26	35P2374	C6JZ-8597-A	Hose - water, by-pass tube, upper .....	1
27	35P2373	C6JZ-8597-B	Hose - water, by-pass tube, lower.....	1
28	35P2372	C6JZ-8548-B	Pipe - water by-pass to water pump.....	1
			50A4298 Clamp - hose, 1".....	4
29	35P2375	436416	Elbow - by-pass tube, 90°.....	2
	35P2534	358347S	Clip - tube.....	1
			*NOTE: In kit 35P2413 Engine Gasket Set.	

MSB SERIES FORK LIFT TRUCKS



MSB SERIES FORK LIFT TRUCKS

Ref. No.	Part No.		DESCRIPTION	No. Pcs.
	W.I.D. No.	Ind. Ford No.	CARBURETOR - GASOLINE ENGINE	
	35A9902	C7JZ-9510-K	Carburetor - assembly .....	1
			Includes the following 49 parts:	
1	-----	425737	Body - main, order 35A9902 Carb. Assy. ....	1
2	35P2560	548153	**Jet - main .....	1
3	35P2561	548470	*Gasket - main jet carrier plug .....	1
4	35P2562	405839	Plug - body, main jet carrier .....	1
5	35P2563	553632	**Spring - needle, idle adjusting.....	1
6	35P2564	405843	**Needle - idle adjusting.....	1
7	35P2565	405841	**Pin - float hinge .....	1
8	35P2566	405858	**Float - assembly.....	1
9	35P2567	425108	**Screw - bleed, main jet .....	1
10	35P2568	502186	**Jet - idling, g 45 .....	1
11	35P2569	220025	*Gasket - valve, vacuum ignition control .....	1
12	35P2570	405866	Valve - control, vacuum ignition .....	1
13	35P2571	446087	**Jet - accelerator pump, 45 .....	1
14	35P2572	405863	Cover - assembly, with lever, accelerator pump .....	1
15	35P2573	405851	Lever - accelerator pump.....	1
16	35P2574	405860	*Diaphragm - assembly.....	1
17	35P2575	407658	**Spring - diaphragm, accelerator pump .....	1
18	35P2576	553611	Screw - cover, oval head, countersunk.....	4
19	35P2577	405850	Rod - lever, accelerator pump .....	1
20	35P2578	591229	Washer - rod, accelerator pump.....	1
21	35P2579	513963	Spring - rod, accelerator pump.....	1
22	35P2580	425848	Clip - choke control.....	1
23	35P2581	553625	Clip - choke control.....	1
24	35P2582	553643	Screw - clip, slotted.....	1
25	35P2583	405865	Cover - assembly, with injection tube.....	1
26	35P2584	405861	Shaft - choke, with lever .....	1
27	35P2585	405849	Plate - choke.....	1
28	35P2586	405835	Screw - plate.....	2
29	35P2587	425906	Spring - choke shaft .....	1
30	35P2588	405840	Screw - choke control.....	1
31	35P2589	405842	*Gasket - valve, float needle .....	1
32	35P2590	546907	**Needle - assembly, with seat, float valve .....	1
33	35P2591	425991	*Gasket - cover, float chamber .....	1
34	35P2592	548397	Screw - cover, float chamber.....	1
35	35P2593	425104	Housing - throttle plate .....	1
36	35P2594	425105	Shaft - throttle, with lever .....	1
37	35P2595	405838	Plate - throttle shaft.....	1
38	35P2596	553605	Screw - throttle plate.....	1
39	35P2643	405844	Lever - throttle .....	1
40	35P2597	405847	Lever - choke, on throttle shaft .....	1
41	35P2598	405848	Spacer - throttle lever .....	1
42	35P2644	405837	Spacer - choke lever.....	2
43	35P2599	519948	Washer - retaining.....	1
44	35P2600	694311	Nut - hex., throttle shaft.....	1
45	35P2601	591216	**Spring - idle adjusting screw .....	1
46	35P2602	553612	**Screw - idle adjusting.....	1
47	35P2603	405846	Rod - connecting, choke plate lever .....	1
48	35P2645	405836	Setscrew - housing, throttle plate.....	1
49	35P2604	405853	*Gasket - body to housing .....	1
50	35P2605	425456	Screw - housing to body, fillister head .....	2
	35P2606	546246	*Kit - gaskets, carburetor .....	1
	35P2607	425812	**Kit - repair, carburetor .....	1
			*NOTE: Kit includes gaskets identified with an asterisk (*).	
			**NOTE: Kit includes parts identified with a double asterisk (**).	



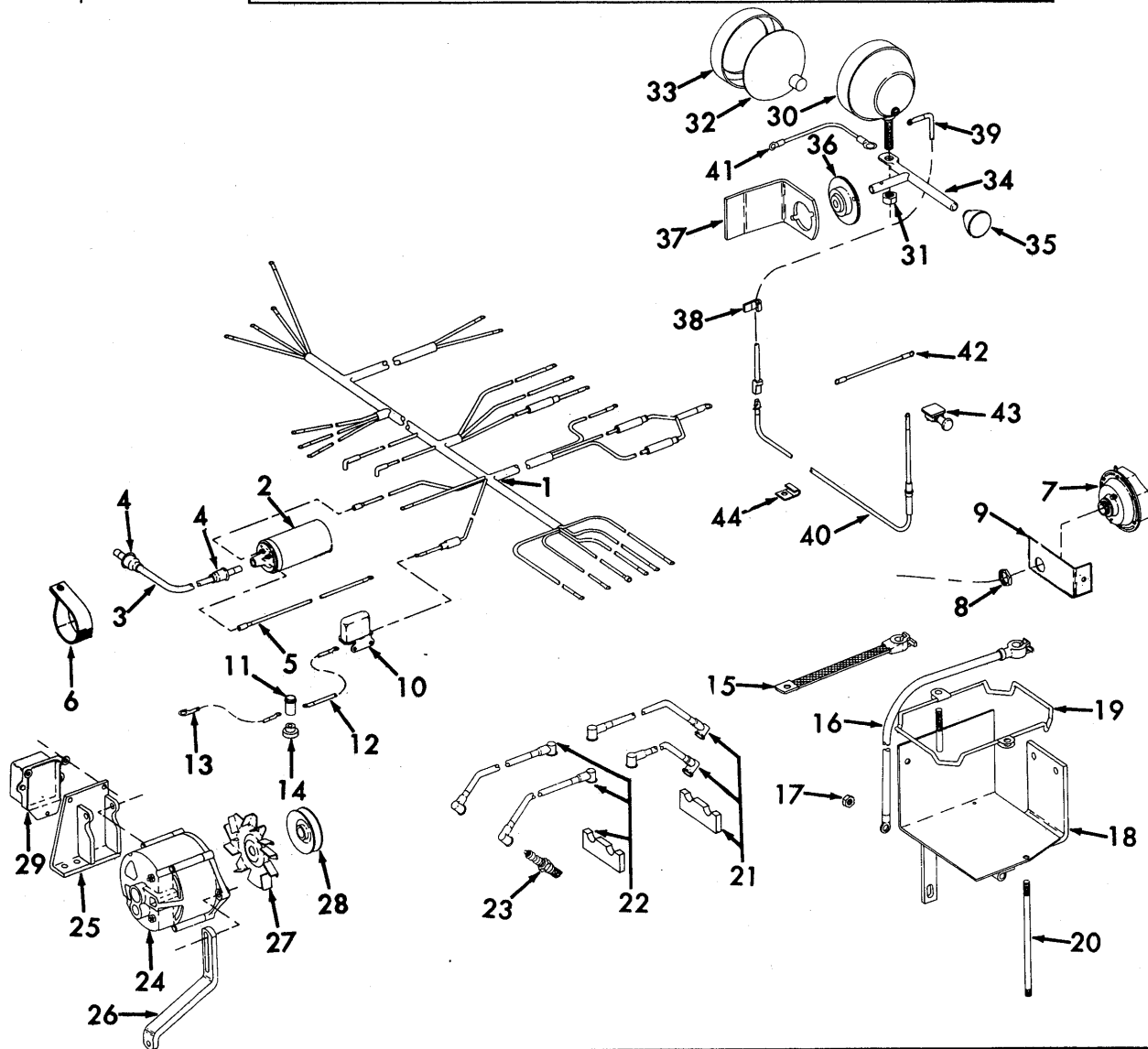
MSB SERIES FORK LIFT TRUCKS

Ref. No.	Part No.	DESCRIPTION	No. Pcs.
		WIRING HARNESS, ALTERNATOR, HORN, BATTERY AND HEAD LAMP	
1	35A9855	Harness - wiring, with 2-14 amp. and 2-20 amp. fuses.....	1
		50A4660 Clip - cable, 3/4" wide x 3/4" with 13/32" hole.....	2
		50A4661 Clip - cable, 7/8" wide x 1" with 17/32" hole.....	4
		50A4664 Clip - cable, 3/4" wide x 1" with 17/32" hole.....	2
		50A771 Clip - harness, 5/8" wide.....	1
2	35P2634	Coil - 12 V., negative ground, internal primary restrictor, (Ind. Ford CONF-12029-A).....	1
3	35P2635	Wire - coil, high tension (Ind. Ford No. 8EQ-12298).....	1
4	35P2636	Nipple - coil wire (Ind. Ford No. A9AZ-12113-A).....	2
5	35A9931	Wire - coil to distributor and transformer to gauges.....	2
6	35P2638	Strap - coil (Ind. Ford No. B6A-12043-A).....	1
		50A3646 Bolt - hex., 1/4"-20 x 3/4".....	1
		50A1898 Nut - hex., 1/4"-20.....	1
		50A3653 Bolt - hex., 5/16"-18 x 1/2".....	1
		50A4202 Washer - plain, 11/32" I.D., 11/16" O.D. ....	1
		50A4250 Washer - external lock, 5/16".....	1
7	35A7762	Horn.....	1
8	35A7761	Nut - horn (Gripco), 7/8"-20.....	1
9	35A10486	Bracket - horn.....	1
		50A3646 Bolt - hex., 1/4"-20 x 3/4".....	1
		50A1898 Nut - hex., 1/4"-20.....	1
10	35A8188	Relay - horn.....	1
11	35A9865	Button - horn.....	1
12	35A7179	Wire - horn button to relay wire, 14 Ga. x 23" long.....	1
13	35A7178	Wire - horn button to ground, 14 Ga. x 21" long.....	1
14	35A9872	Bushing - insulation, horn wire to lever.....	1
15	35A3303	Cable - battery ground.....	1
16	35A3302	Cable - battery to starter.....	1
17	35A10494	Nut - hex., M8 x 1.25.....	1
18	36A8904	Box - battery.....	1
		50A2755 Screw - flat head, hex. socket, 3/8"-16 x 1-1/4".....	2
		50A3655 Bolt - hex., 5/16"-18 x 3/4".....	2
19	35A9868	Hold Down - battery.....	1
		50A4210 Washer - plain, 13/32" I.D., 13/16" O.D. ....	2
		50A3761 Nut - wing, type A, 3/8"-16.....	2
20	35A7394	Stud - hold down, battery, 3/8"-16 x 8-1/2".....	1
		50A3742 Nut - hex. jam, 3/8"-16.....	2
	10P2839	Battery - 12 volt, 35 amp., type 22F (24 month).....	-
	10P2339	Battery - 12 volt, 42 amp., type 22F (36 month).....	-
	10P2368	Electrolyte - 5 gallon.....	-
	10P2369	Hose - electrolyte dispenser, for 5 gallon container.....	-
21	35P2368	Harness - spark plugs to distributor, front, (Ind. Ford No. C4JZ-12280-A)...	1
22	35P2369	Harness - spark plugs to distributor, rear, (Ind. Ford No. C3JZ-12281-B)...	1
23	35P2367	Spark Plug - engine (Ind. Ford No. AE22).....	4
24	35A8253	Alternator - less fan and pulley (Delco-Remy No. 1100720).....	1
		NOTE: 35A8253 replaces for repairs 10A24612 (Delco-Remy 1100771) factory installed alternator.	
		50A1926 Bolt - hex., 3/8"-16 x 3-1/4".....	1
		50A1986 Nut - hex., lock, 3/8"-16.....	1
25	36A9568	Bracket - alternator.....	1
		50A3673 Bolt - hex., 3/8"-16 x 1".....	2
26	35A9843	Bar - alternator adjusting.....	1
		50A3655 Bolt - hex., 5/16"-18 x 3/4".....	2
		50A4202 Washer - plain, 11/32" I.D., 11/16" O.D. ....	2
27	35A8249	Fan - alternator, 5-1/4" O.D. ....	1
28	10A23146	Pulley - alternator, 3-1/32" O.D. ....	1
29	35A8248	Regulator - alternator (Delco-Remy No. 1119507).....	1
30	10A15240	Lamp - head, with sealed unit.....	1
		Includes the following 2 parts:	
31		50A1911 Nut - hex., 1/2"-13.....	1



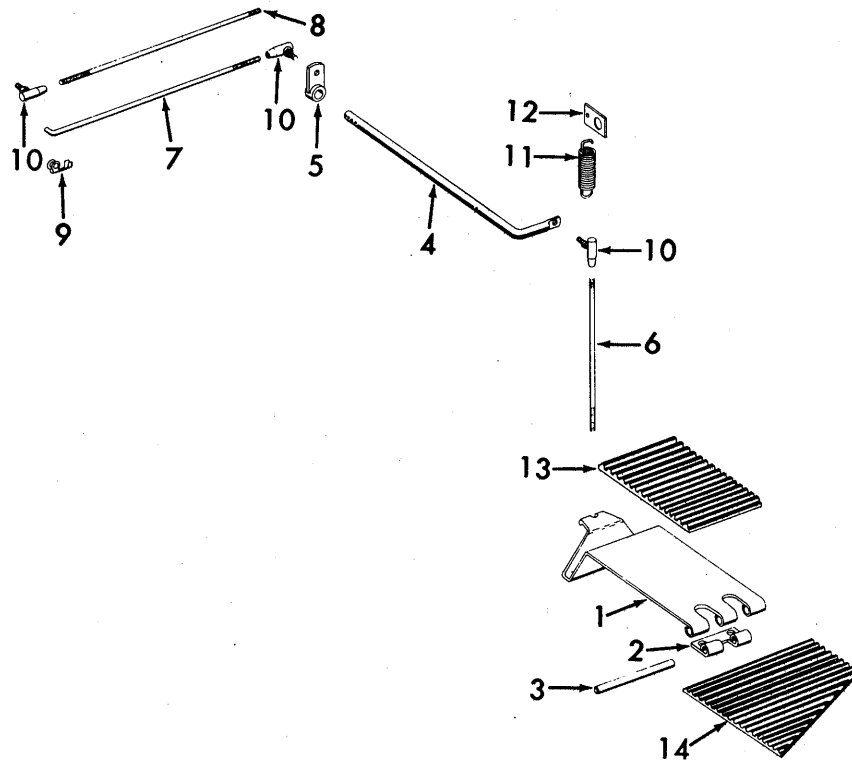
MSB SERIES FORK LIFT TRUCKS

Ref. No.	Part No.	DESCRIPTION	No. Pcs.
		WIRING HARNESS, ALTERNATOR, HORN, BATTERY AND HEAD LAMP (Cont'd)	
32	10P1701	Unit - sealed .....	1
33	10P1702	Retainer - rubber, sealed unit .....	1
34	36A8598	Handle - assembly, light control .....	1
		50A2834 Pin - roll, 3/16" x 1-1/2" .....	1
35	35A8295	Knob - handle .....	1
		50A4887 Insert - knob .....	1
36	35A7573	Bearing - handle .....	1
		50A3646 Bolt - hex., 1/4"-20 x 3/4" .....	2
		50A1898 Nut - hex., 1/4"-20 .....	2
		50A4204 Washer - plain, 5/16" I.D., 3/4" O.D. ....	2
		50A4235 Washer - internal lock, 1/4" .....	2
37	35A8591	Bracket - head lamp, welded to upright .....	1
38	35A2151	Clip - wire, welds to mast .....	4
39	35A3009	Wire - connector to light, 71" long .....	1
40	35A9464	Wire - light switch to connector, with 14 amp. fuse, 14 Ga. x 44-1/4" .....	1
41	35A6725	Wire - light to ground, 8" long .....	1
42	35A1068	Wire - light switch to ignition switch, 6" long .....	1
43	35A8787	Switch - light, in panel .....	1
44	15A15557	Clip - wire, on drive housing .....	1



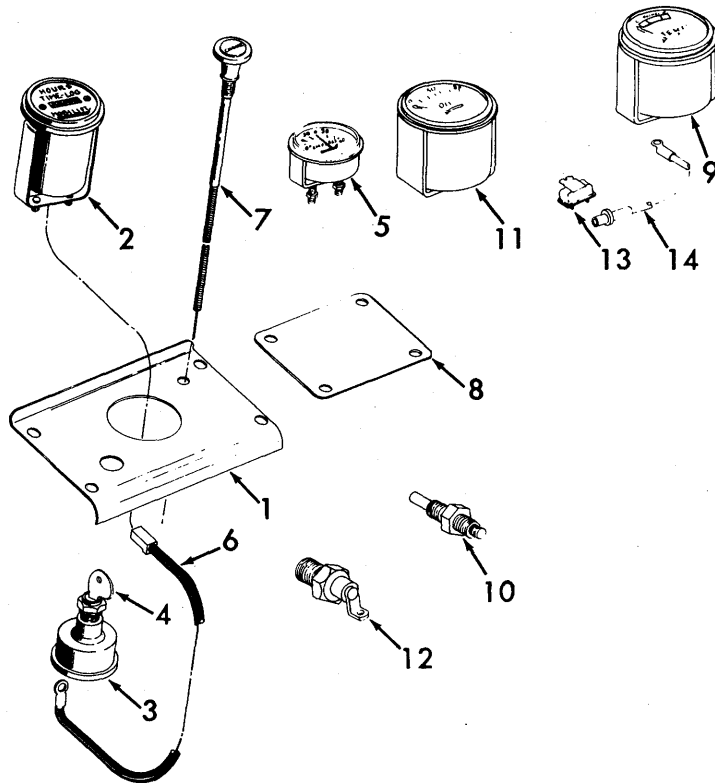
MSB SERIES FORK LIFT TRUCKS

Ref. No.	Part No.	DESCRIPTION	No. Pcs.
THROTTLE CONTROLS			
1	35A9704	Pedal - accelerator.....	1
2	35A6260	Hinge - accelerator pedal.....	1
		GM172450 Screw - hex., self tapping.....	2
3	35A6261	Pin - pedal hinge.....	1
4	35A9707	Lever - rod, L shaped, 3/8" x 13-1/8" long.....	1
		50A4210 Washer - plain, 13/32" I.D., 13/16" O.D.....	2
		50A3829 Pin - cotter, 3/32" x 3/4".....	2
5	36A8902	Lever - throttle control.....	1
		50A2837 Pin - roll, 1/8" x 3/4".....	1
6	35A9705	Rod - throttle, lower, 3/16" x 7-3/4".....	1
7	35A9706	Rod - throttle, upper, 3/16" x 11-3/8", gasoline units.....	1
8	35A10501	Rod - throttle, upper, 3/16" x 10-7/8", LP Gas units.....	1
9	35A10495	Clip - rod, gasoline units.....	1
10		50A4316 Ball - joint, #10-32.....	2-3
		50A5001 Nut - hex., #10-32.....	4
11	10A5914	Spring - throttle rod.....	1
12	FT2451	Strap - spring anchor.....	1
13	35A9133	Pad - pedal, (neoprene) 4" x 7".....	1
14	35A9134	Pad - heel, 3-3/4" x 7" x 7-3/8".....	1



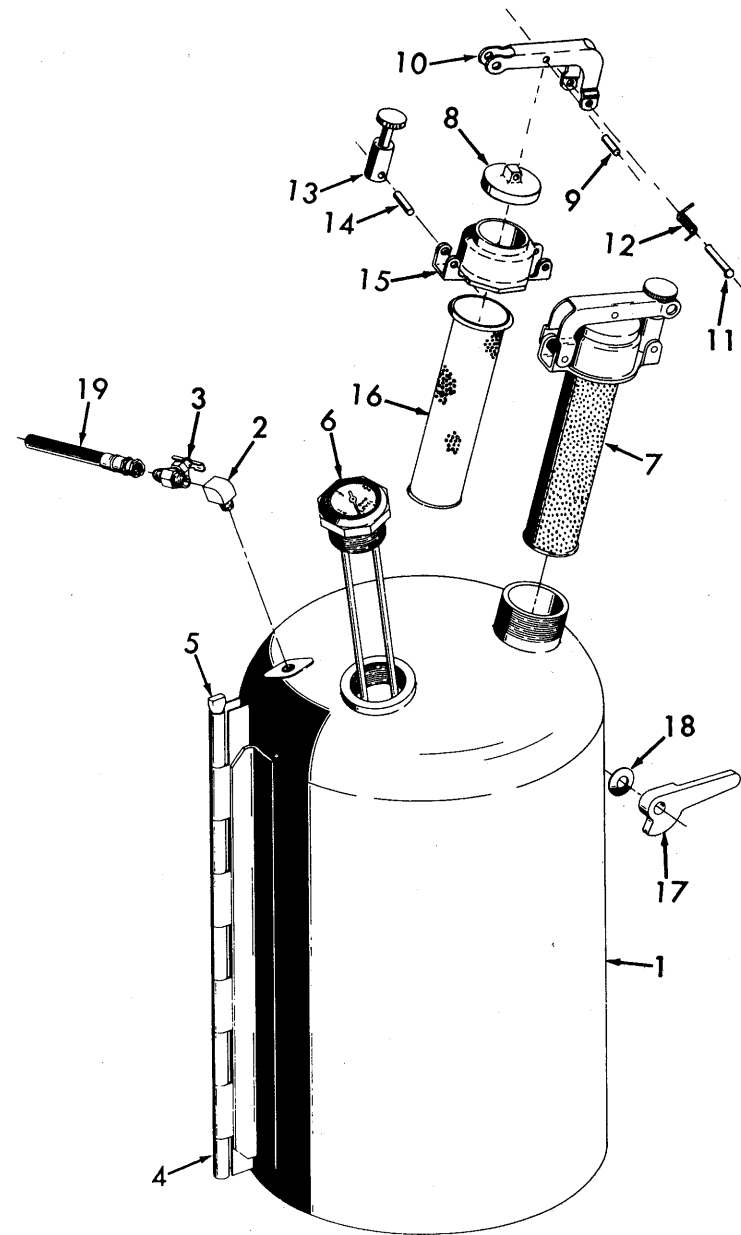
MSB SERIES FORK LIFT TRUCKS

Ref. No.	Part No.	DESCRIPTION	No. Pcs.
INSTRUMENT PANEL AND INSTRUMENTS			
1	35A9954	Panel - instrument .....	1
		50A3646 Bolt - hex., 1/4"-20 x 3/4" .....	4
		50A1898 Nut - hex., 1/4"-20 .....	4
2	35A8590	Hour Meter .....	1
3	10A18229	Switch - ignition and starter .....	1
		Includes the following part:	
4	10P2703	Key - switch .....	2
5	35A7738	Gauge - ammeter .....	1
6	35A4770	Wire - hourmeter to ignition switch .....	1
7	35A1765	Choke - control, 28" long .....	1
		50A4244 Washer - internal lock .....	1
		50A4741 Nut - hex. jam, 3/8"-24 N.F. ....	1
8	35A6123	Plate - cover, auxiliary valve opening .....	1
		50A3646 Bolt - hex., 1/4"-20 x 3/4" .....	4
		50A1898 Nut - hex., 1/4"-20 .....	4
9	35A9928	Gauge - water temperature, (Ind. Ford No. C2JZ-10883-A) .....	1
10	35P2360	Unit - temperature sending (Ind. Ford No. C3TZ-10883-A) .....	1
11	35A9929	Gauge - oil pressure, (Ind. Ford No. B7P-9273-B) .....	1
12	35P2361	Unit - oil pressure sending, (Ind. Ford No. B6A-9278-A) .....	1
13	35A9930	Transformer - constant voltage, (Ind. Ford No. B9MZ-10804-A) .....	1
		50A5617 Screw - tapping, No. 10-24 x 3/8" .....	2
		50A3771 Nut - screw, No. 10-24 .....	2
14	35A9931	Wire - transformer to temperature gauge .....	1



MSB SERIES FORK LIFT TRUCKS

Ref. No.	Part No.	DESCRIPTION	No. Pcs.
<b>FUEL TANK - GASOLINE</b>			
1	35A9146	Tank - fuel .....	1
		Includes the following 2 parts:	
2		50A2481 Elbow - tank, 1/8" x 90° .....	1
3		50A2617 Shut-off, fuel tank .....	1
		50A954 Plug - drain, 1/8" drain .....	1
		50A3364 Bolt - hex., 3/8"-16 x 3/4" .....	10
		50A1900 Nut - hex., 3/8"-16 .....	10
4	35A6312	Hinge - half, mounts to frame .....	1
5	35A6313	Pin - hinge .....	1
6	35A4167	Gauge - fuel tank .....	1
7	35A178	Cap - filler, fire proof .....	1
		Includes the following 9 parts:	
8	35P55	Cap - filler .....	1
9	35P468	Pin - filler cap .....	1
10	35P56	Arm - filler cap .....	1
11	35P467	Pin - arm to cap .....	1
12	35P57	Spring - arm .....	1
13	35P58	Catch - arm .....	1
14	35P469	Pin - arm catch .....	1
15	35P59	Flange - screen .....	1
16	35P60	Screen - assembly .....	1
17	35A6359	Cam - handle, fuel tank .....	1
		50A3668 Bolt - hex., 3/8"-16 x 1-1/2" .....	1
		50A154 Nut - hex., (Nylock), 3/8"-16 .....	1
		50A3635 Washer - plain, 13/32" I.D., 1" O.D. ....	1
18	30A1541	Washer - belleville .....	4
19	35A10103	Hose - fuel, pump to carburetor, 1/4" I.D. x 35" .....	1
		50A3573 Clamp - hose, 7/16" .....	1
		50A2481 Elbow - carburetor, 1/8"-90° .....	1



MSB SERIES FORK LIFT TRUCKS

Ref. No.	Part No.	DESCRIPTION	No. Pcs.
		LP GAS EQUIPMENT	
	35A 5033	*Tank - LP Gas, with fittings, 20 lb. ....	1
	36A 5035	*Support - tank .....	1
	35A 4961	*Hinge - support .....	2
	15A 5346	*Pin - hinge.....	2
		*GM177923 Pin - cotter, 1/8" x 3/4" .....	2
	35P 1774	*Clamp - tank (35A 4959 Inter).....	1
	35P 1309	*Adapter - relief valve .....	1
		*50A 4601 Elbow - adapter, 3/8" N.P.T. x 45° .....	1
		*50A 4730 Connector - adapter, 3/8" N.P.T. ....	1
		*NOTE: Used on LP-Gas equipped trucks with 20 lb. tank.	
	D1186	**Tank - LP Gas, with fittings, 33-1/2 lb. ....	1
	36A 8296	**Door - tank service.....	1
	36A 8297	**Guide - hood, 1" x 1-1/4" .....	2
	35A 8298	**Brace - hood, 1-1/4" x 29-1/4".....	2
	35A 8299	**Guide - hood support, 1" offset, 2" x 2-1/4".....	2
	35A 10179	**Support - side member, L.H. offset, 3/8" x 3" x 7-7/8".....	2
		** 50A 3664 Bolt - hex., 3/8"-16 x 3/4" .....	4
		** 50A 3664 Bolt - hex., 3/8"-16 x 1" .....	8
		** 50A 1900 Nut - hex., 3/8"-16.....	12
		** 50A 3668 Bolt - hex., 3/8"-16 x 1-1/2" .....	1
	35A 10177	**Guide - hood support .....	2
	35A 10178	**Support - side member, welds to frame .....	1
	35P 508	**Strap - mounting, fuel tank, left hand .....	1
	35P 516	**Strap - mounting, fuel tank, right hand .....	1
		** 50A 3922 Screw - flat head, slotted, 3/8"-16 x 1".....	4
		** 50A 1900 Nut - hex., 3/8"-16.....	4
		** 50A 4205 Washer - plain, 7/16" I.D. x 1" O.D. ....	4
		**NOTE: Used on LP-Gas equipped trucks with 33-1/2 lb. tank.	
	35A 10211	Vaporizer - assembly.....	1
		Includes the following part:	
	35P 2255	Kit - vaporizer (includes seals, diaphragm, springs and valve).....	1
	36A 9927	Mount - vaporizer.....	1
	36A 9928	Adapter - carburetor to air cleaner .....	1
	35A 9563	Band - adapter, 2" O.D. x 1" long .....	2
	35A 10157	Hose - vaporizer to carburetor, 3/8" I.D. x 11" long .....	1
	35A 10158	Hose - engine to vaporizer, 1-1/4" x 1-1/2" I.D. x 3-1/2" long, 15° bend	1
	35A 10159	Hose - vaporizer to radiator, 1-1/4" x 1-1/2" I.D. x 85° .....	1
	35P 1084	Solenoid - 12 volt (35A 9894 Inter.).....	1
		50A 4450 Nipple - pipe, close, 1/4" N.P.T. x 7/8".....	2
		50A 2492 Elbow - street, 1/4" N.P.T. x 90°-45° flare.....	1
	35A 10212	Carburetor - LP Gas .....	1
		Includes the following part:	
	35P 2256	Kit - carburetor (includes seals, "O" rings, and idle adj. needle).....	1
	35P 514	Bulkhead - filter.....	1
		Includes the following 2 parts:	
		GM144355 Elbow - adapter, 1/4" N.P.T. x 3/8" .....	1
		50A 4410 Connector - to body, 3/8".....	1
		GM125700 Lock Washer - internal lock.....	1
	35P 1605	Element - filter .....	1
	35P 1608	Spring - filter .....	2
	35A 10155	Hose - assembly, filter to tank, 3/8" I.D. x 14-1/2" long .....	1
	35A 10156	Hose - assembly, 3/8" I.D. x 21" long .....	1
		50A 4386 Elbow - 1/4" N.P.T. x 90° with 45° flare.....	6-5
		50A 5119 Elbow - 3/8" N.P.T. x 90° with 45° flare.....	1
	35P 519	Coupling - hose to tank, female .....	1

MSB SERIES FORK LIFT TRUCKS

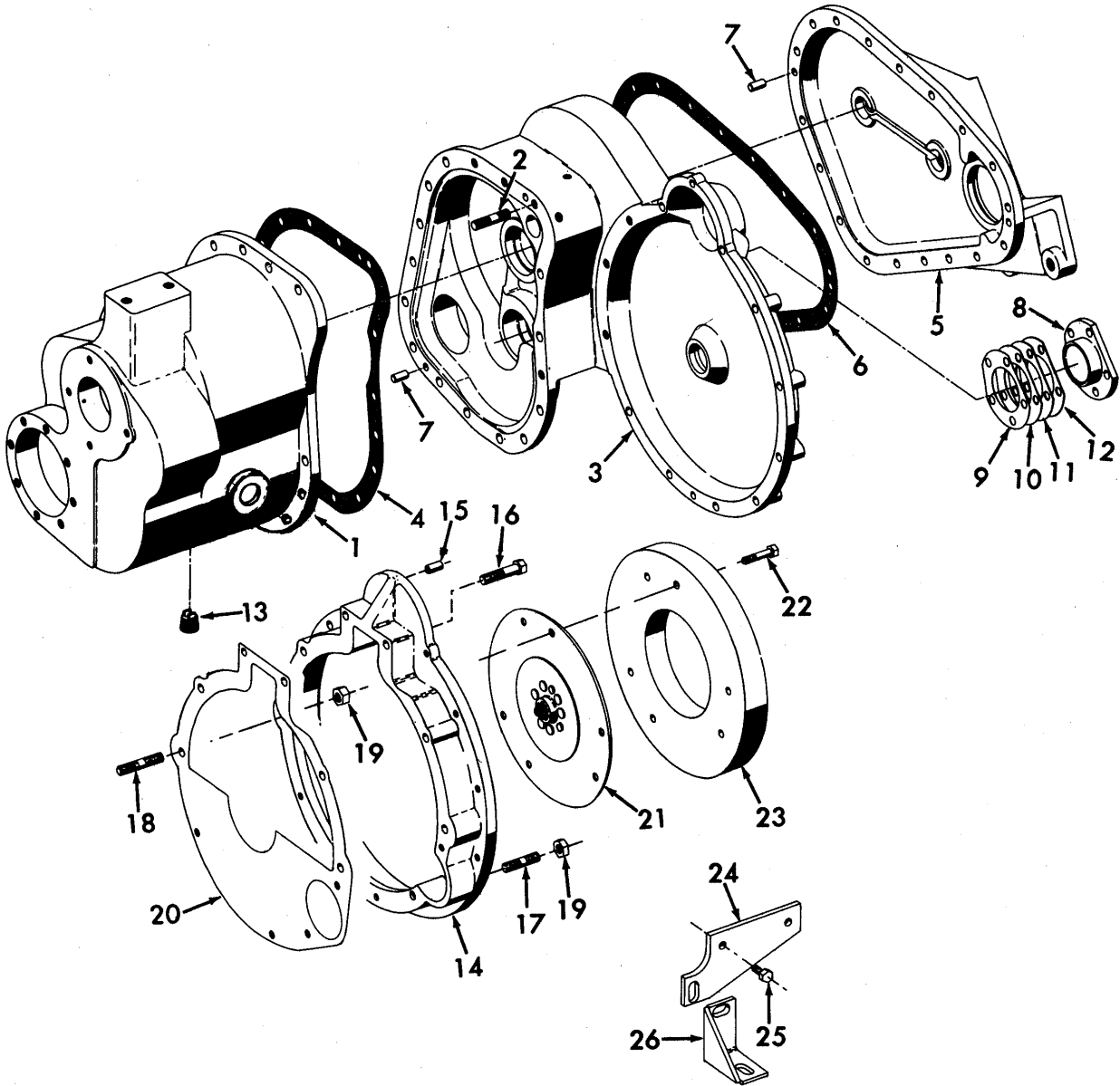
Ref. No.	Part No.	DESCRIPTION	No. Pcs.
LP GAS EQUIPMENT (Cont'd)			
	35P517	Coupling - hose to tank, male ..... Includes the following 2 parts:	1
	30A1701	"O" Ring - coupling .....	1
	35P1769	Gasket - coupling .....	1
	35P515	Relief Valve .....	1
	35P525	Switch - oil pressure.....	1
		50A4571 Tee - pipe, oil filter .....	1
		50A2281 Connector - tee, 1/2".....	1
		50A1909 Elbow - oil filter, 3/8" x 90° .....	1
	10A2640	Wire - ignition switch and hydraulic switch to solenoid, 14 Ga. x 30" .....	3
	35A9563	Band - carburetor (rubber), 1" wide x 2" O.D. ....	1
		50A4285 Clamp - hose, 1-3/8".....	2
		50A4289 Clamp - carburetor, 2-1/4".....	1
		50A4554 Bushing - reducer, 3/8" to 1/8" .....	1
	35A10017	Decal - Instructions, LP-Gas, 2-15/64" x 4" .....	1
	35A10220	Stud - carburetor, 5/16"-18 x 3-3/8" .....	2
		50A3730 Nut - hex., 5/16"-18.....	2

MSB SERIES FORK LIFT TRUCKS

Ref. No.	Part No.	DESCRIPTION	No. Pcs.
<b>TRANSMISSION CASE</b>			
1	35A9763	Case - transmission.....	1
		50A4445 - Plug, drain, 1/8"-27.....	1
		50A3675 - Bolt, hex., 7/16"-14 x 1-1/2".....	5
		GM180151 - Bolt, hex., 7/16"-14 x 1-3/4".....	6
		50A3676 - Bolt, hex., 7/16"-14 x 2-1/4".....	2
		50A3733 - Nut, hex., 7/16"-14.....	8
		GM186292 - Bolt, hex., 7/16"-14 x 4-1/4".....	2
2	JT1205	Stud - adapter to case.....	2
3	35A4138	Adapter - transmission case.....	1
4	35A4463	*Gasket - adapter.....	1
5	35A4136	Cover - transmission case.....	1
		50A4264 - Ball, cover, 9/32" dia. ....	1
		50A3667 - Bolt, hex., 3/8"-16 x 1-1/4".....	15
		50A3669 - Bolt, hex., 3/8"-16 x 1-3/4".....	3
6	35A4462	*Gasket - transmission case cover.....	1
7	10A9792	Pin - dowel, cover to case.....	4
8	35A4412	Cap - bearing.....	1
		50A3666 - Bolt, hex., 3/8"-16 x 1".....	5
9	35A4436	*Shim - bearing cap, .002", red.....	A.R.
10	35A4424	*Shim - bearing cap, .003", green.....	A.R.
11	35A4425	*Shim - bearing cap, .005", blue.....	A.R.
12	35A4435	*Shim - bearing cap, .020", yellow.....	A.R.
	35R86	*Kit - gaskets, transmission and differential overhaul.....	-
		*NOTE: Kit includes parts identified with a single asterisk (*).	
13	35A2112	Plug - pipe, drain (Magnetic).....	1
	35P1755	Oil - transmission, Donax T-4, 1 gallon.....	-
	35P1756	Oil - transmission, Donax T-4, 5 gallon.....	-
<b>ADAPTER HOUSING, DAMPENER DRIVE AND FLYWHEEL RING</b>			
14	35B9575	Housing - adapter, includes dowel pins.....	1
15		50A3847 Pin - dowel, housing, 3/8" x 3/4".....	2
		50A1925 Bolt - hex., 3/8"-16 x 2-1/2".....	7
		50A3667 Bolt - hex., 3/8"-16 x 1-1/4".....	3
		50A3671 Bolt - hex., 3/8"-16 x 2-1/4".....	2
16	35A9946	Bolt - adapter, top, hex., M10 x 60MM long (Ford 233575).....	2
17	35A9947	Stud - adapter, bottom M10 x 1.5 x M10 x 50MM Long (Ford 545943)....	2
18	35A9944	Stud - adapter, center, M10 x 1.5 x M10 x 40MM Long (Ford 545944)....	2
19	35A9945	Nut - studs, M10 x 1 (Ford 204756).....	4
20	35P2370	Plate - engine.....	1
21	35A9502	Dampener - drive, 9-7/8" O.D. ....	1
22	35A10409	Bolt - hex., M8 x 1-1/4" x 41MM.....	6
		50A4226 Washer - lock, 5/16".....	6
23	35A10410	Ring - flywheel, 1-1/4" thick x 11-3/8" O.D. ....	1
	35P2647	Flywheel - assembly, (Ind. Ford No. 405071).....	1
		Includes the following part:	
	35P2648	Gear - flywheel, starter ring, (Ind. Ford No. 405073).....	1
	35P2649	Bolt - hex., flywheel to crankcase, (Ind. Ford No. 225605).....	6
<b>MOTOR SUPPORTS</b>			
24	35A9840	Plate - motor support, 1/4" x 3-1/2" x 6-7/8".....	1
25	35A9951	Bolt - hex., M8 x 1.25 thd. x 20MM DIN 931-933.....	2
26	36A9796	Bracket - motor support.....	1
		50A3679 Bolt - hex., 1/2"-13 x 1".....	2
		50A1911 Nut - hex., 1/2"-13.....	1

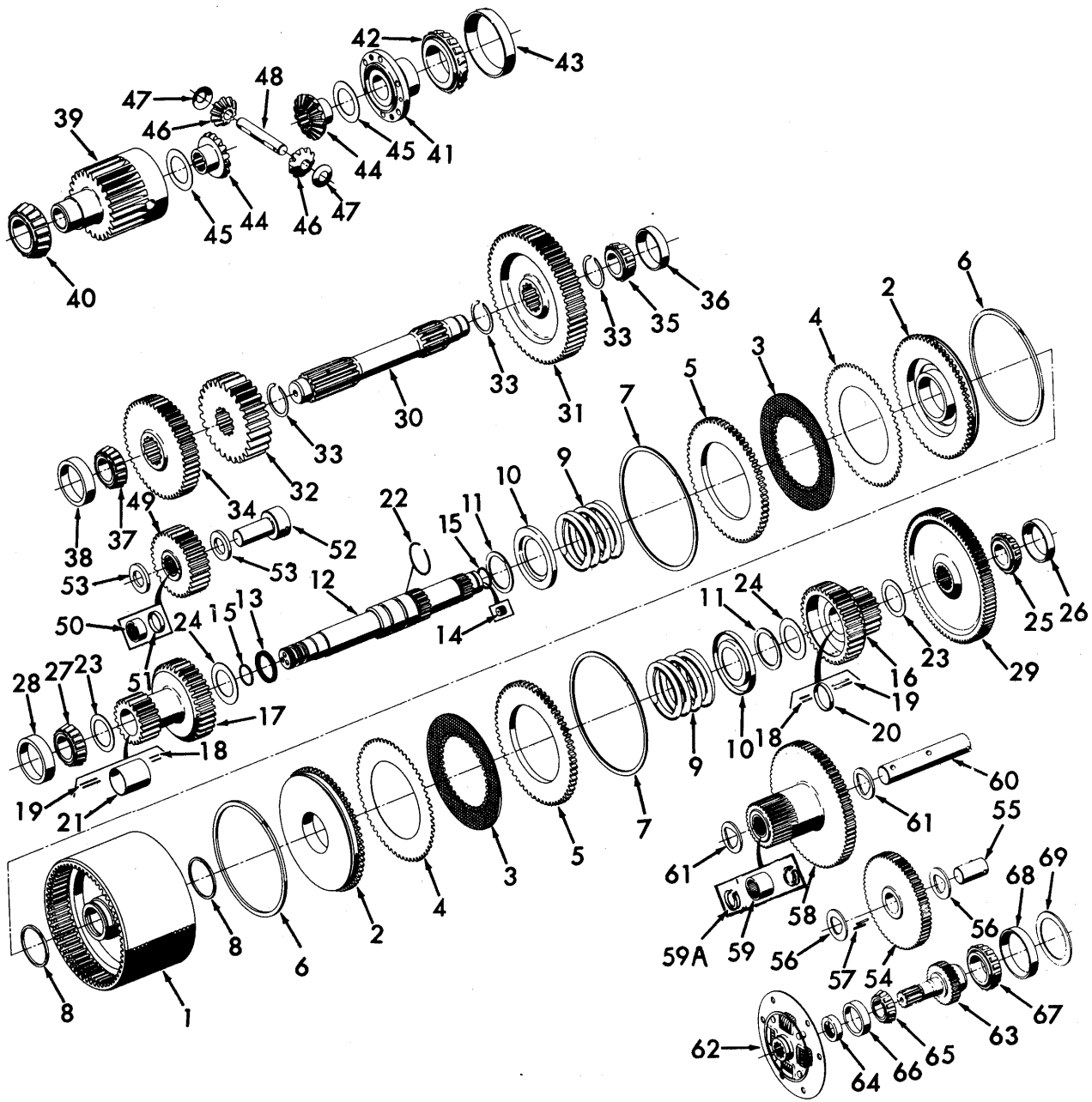


MSB SERIES FORK LIFT TRUCKS



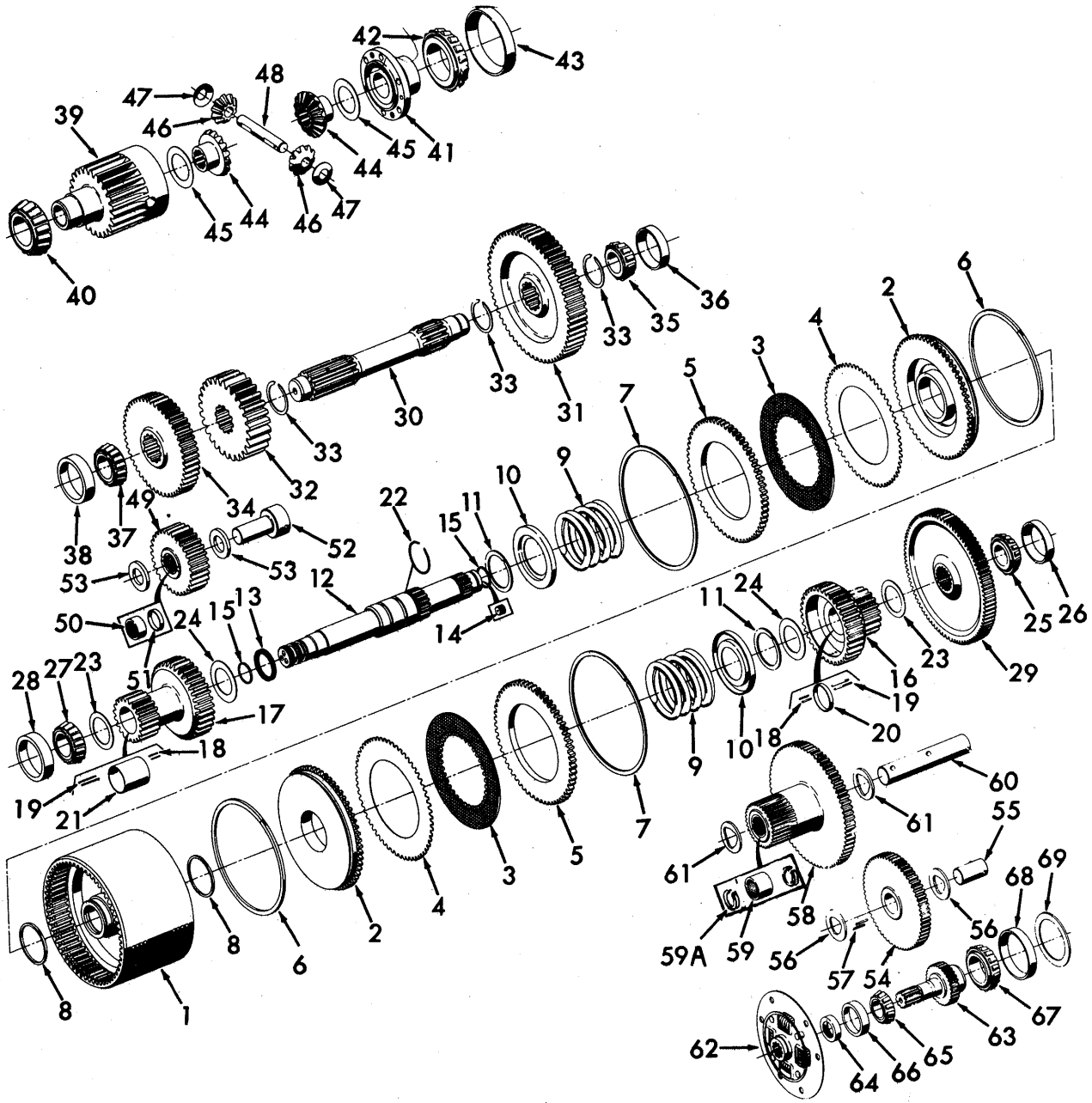
MSB SERIES FORK LIFT TRUCKS

Ref. No.	Part No.	DESCRIPTION	No. Pcs.
		TRANSMISSION	
	35R54	Housing - assembly.....	1
		Consists of the following 11 parts:	
1	35A 7710	Housing.....	1
2	36A 6783	Piston.....	2
3	35A 7709	Plate - friction.....	6
4	35A 8268	Plate - backing.....	8
5	35A 335	Ring - back-up.....	2
6	10A 15639	Ring - piston.....	2
7	35A 336	Ring - retainer, back-up ring.....	2
8	35A 355	Ring - oil seal.....	2
9	35A 331	Spring - piston.....	2
10	35A 332	Retainer - spring.....	2
11	35A 849	Ring - snap, spring retainer.....	2
12	36A 3622	Shaft - input, with steel balls and orifice.....	1
		GM145641 - Ball, steel, 5/16".....	2
13	10A 7956	*"O" Ring - input shaft, 1-1/2" I.D. x 1-3/4" O.D. ....	3
14	35A 7183	Screw - set, socket head, 1/2" -13 x 3/8".....	1
15	35A 341	*Ring - oil seal, .....	4
	35R86	*Kit - gasket, transmission and differential overhaul .....	1
		*NOTE: Kit includes parts identified with a single asterisk (*).	
16	35A 4128	Carrier - forward.....	1
17	35A 4131	Carrier - reverse .....	1
18	10A 6718	Rollers - carrier, short .....	108
19	35A 7663	Rollers - carrier, long .....	108
20	35A 7665	Spacer - rollers, short, for 35A 4128 carrier.....	1
21	35A 7664	Spacer - rollers, long, for 35A 4131 carrier.....	1
22		50A2883 - Ring, back-up, quad. ring.....	1
23	35A 3623	Washer - carrier thrust, outer.....	2
24	35A 7666	Washer - carrier thrust, inner .....	2
25	10A 7330	Cone - bearing, input shaft.....	1
26	10A 7331	Cup - bearing, input shaft.....	1
27	15A 4702	Cone - bearing, input shaft, valve end.....	1
28	10A 7571	Cup - bearing, input shaft, valve end.....	1
29	35A 3621	Gear - clutch, input shaft .....	1
30	35A 9882	Countershaft.....	1
31	35A 3613	Gear - forward, on countershaft, 56 teeth.....	1
32	35A 4143	Gear - output, on countershaft .....	1
33	10A 4732	Ring - retainer, countershaft gears.....	3
34	35A 4142	Gear - reverse, on countershaft.....	1
35	15A 8627	Cone - bearing, countershaft.....	1
36	10A 693	Cup - bearing, countershaft.....	1
37	10A 6752	Cone - bearing, countershaft, valve end.....	1
38	10A 7571	Cup - bearing, countershaft, valve end.....	1
39	35A 4133	Carrier - differential, with gear.....	1
40	35A 4422	Cone - bearing carrier .....	1
	10A 7607	Cup - bearing, for 35A 4422 cone, Ref. No. 40.....	1
41	35A 6785	Flange - differential carrier .....	1
		50A1440 - Screw, counterbore, 3/8" x 16 x 1".....	9
42	35A 4161	Cone - bearing, carrier flange .....	1
43	10A 7292	Cup - bearing, carrier flange .....	1
44	35A 8850	Gear - bevel, 16 teeth.....	2
45	35A 7346	Washer - thrust, gear, .0312.....	A.R.
45	35A 7347	Washer - thrust, gear, .0332.....	A.R.
45	35A 7348	Washer - thrust, gear, .0362.....	A.R.
45	35A 8552	Washer - thrust, gear, .039.....	A.R.
45	35A 8710	Washer - thrust, gear, .045.....	A.R.



MSB SERIES FORK LIFT TRUCKS

Ref. No.	Part No.	DESCRIPTION	No. Pcs.
TRANSMISSION (Cont'd)			
46	35A8854	Pinion - bevel gear, 10 teeth.....	2
47	35A4384	Washer - pinion thrust.....	2
48	35A4385	Shaft - pinion.....	1
		50A2846 - Pin, roll, 3/16" x 1-3/4".....	1
49	36A4140	Gear - reverse idler, with needle bearing and spacers .....	1
		50A2845 - Pin, roll, 3/16" x 3/4".....	1
50	35A353	Bearing - needle, idler gear.....	2
51	35A6779	Spacer - needle bearing.....	1
52	36A4139	Shaft - reverse, idler gear, with roll pin.....	1
		50A2845 - Pin, roll, 3/16" x 3/4".....	1
		50A979 - Ring, retainer, idler shaft.....	1
53	35A4144	Washer - thrust, reverse gear.....	2
54	35A3614	Gear - idler .....	1
55	36A3615	Shaft - idler gear, with roll pin .....	1
		50A2832 - Pin, roll, 3/16" x 1".....	1
56	35A3617	Washer - thrust, idler gear.....	2
57	35A4146	Bearing - needle, idler shaft.....	28
58	36A3618	Gear - compound, idler, with needle bearings and retaining rings.....	1
59	30A1770	Bearing - needle, idler gear .....	2
59A		50A4792 - Retaining Ring, needle bearing.....	4
60	36A3619	Shaft - idler gear, with roll pin .....	1
		50A2832 - Pin, roll, 3/16" x 1".....	1
61	35A4148	Washer - thrust, idler gear.....	2
62	35A9502	Dampener - assembly, on flywheel, 9-7/8" O.D. ....	1
63	35A3609	Gear - input, in dampener.....	1
64	35A4130	*Seal - oil, dampener assembly.....	1
	35R86	*Kit - gasket, transmission and differential overhaul .....	1
		*NOTE: Kit includes parts identified with a single asterisk (*).	
65	35A3607	Cone - bearing, input gear, dampener end.....	1
66	10A14362	Cup - bearing, input gear, dampener end.....	1
67	15A12648	Cone - bearing, input gear, pump end .....	1
68	15A12647	Cup - bearing, input gear, pump end .....	1
69	35A4145	Spacer - input gear.....	1

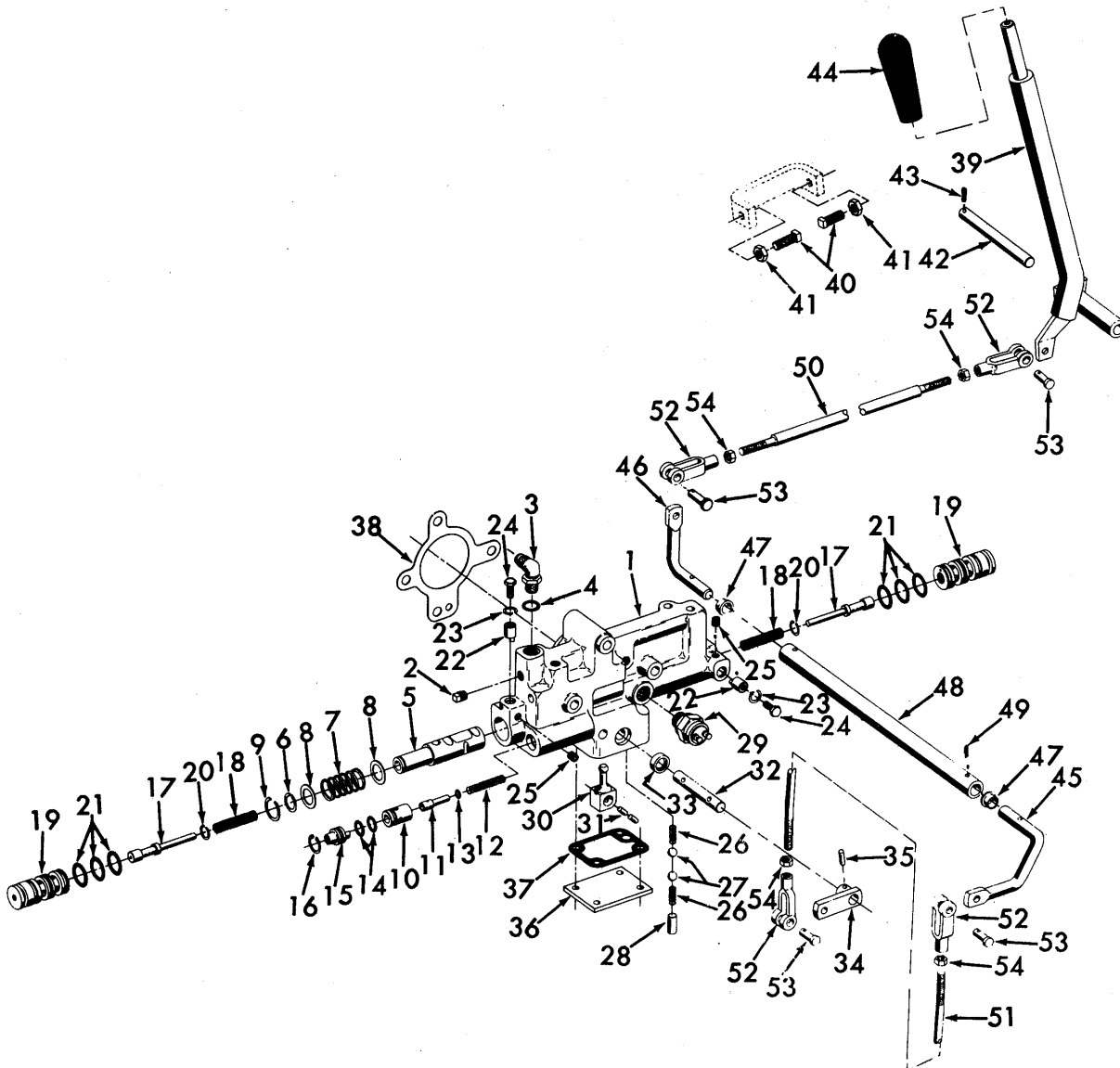


MSB SERIES FORK LIFT TRUCKS

Ref. No.	Part No.	DESCRIPTION	No. Pcs.
TRANSMISSION CONTROL VALVE AND CONTROLS			
1	39B1487	Valve - assembly, complete.....	1
		Includes the following 25 parts:	
		50A1926 - Bolt, hex., 3/8"-16 x 3-1/4".....	2
		50A1927 - Bolt, hex., 3/8"-16 x 3-1/2".....	2
2		50A4445 - Plug, pipe, 1/8"-27.....	3
3		50A4423 - Elbow, valve, 9/16"-18 x 90°.....	1
4	10A16405	"O" Ring - elbow to valve body.....	1
5	35A8171	Spool - valve, 4-7/16" long.....	1
6		50A2245 - Ring, snap, spool (Spirolox RS75).....	1
7	35A7743	Spring - spool.....	1
8	35A7129	Washer - spool.....	2
9		50A2244 - Ring, snap, washer retainer.....	1
10	35A1250	Valve - relief, 3/4" O.D. x 1-1/8" long.....	1
11	35A1249	Piston - relief valve.....	1
12	35A9999	Spring - relief valve, 15 coils, .366" O.D. x 1-9/16" long.....	1
13	35A8107	Shim - relief valve, 3/8" O.D. x 1/32" thick.....	2
14	10A6329	Seal - "O" ring, valve and block, 3/4" O.D. ....	2
15	35A5177	Block - valve.....	1
16	10A6330	Ring - snap, block retaining.....	1
17	35A7128	Spool - inching.....	2
18	35A7744	Spring - inching spool, 17-1/2 coils, .383 x 2-5/64" long.....	2
19	35A7127	Spool - control.....	2
20		50A2246 - Ring, snap, spool (Spirolox RR-50).....	2
21	10A9808	Seal - "O" ring, spool.....	6
22	35A7168	Eccentric - hydraulic valve adjusting.....	2
23		50A192 - Ring, snap, eccentric, (Tru-arc N5000-50).....	2
24		50A3646 - Bolt, hex., 1/4"-20 x 3/4".....	2
25		50A2740 - Set Screw, (Nylok), 5/16"-18.....	2
26	35A9341	Spring - detent, 8-1/2 coils, .336 dia. x 27/32" long.....	2
27		50A4266 - Ball, steel, 3/8" dia. ....	9
28	35A7167	Pin - dowel, valve detent.....	1
29	35A7687	Switch - neutral start, in body.....	1
30	35A8170	Lever - control arm.....	1
31		50A1678 - Pin, roll, 3/16" dia. x 7/16".....	2
32	35A4950	Shaft - control arm, 1/2" x 3-3/8".....	1
33	35A4949	Seal - shaft, control arm.....	1
34	36A9854	Lever - control arm.....	1
35		50A2845 - Pin, roll, 3/16" dia. x 3/4".....	1
36	35A7121	Cover - valve body.....	1
		50A3645 - Bolt, hex., 1/4"-20 x 5/8".....	4
37	35A7122	+ Gasket - cover.....	1
38	35A7170	+ Shim - body to transmission case, .002, red.....	A.R.
38	35A7171	+ Shim - body to transmission case, .003, green.....	A.R.
38	35A7172	+ Shim - body to transmission case, .005, blue.....	A.R.
38	35A7173	+ Shim - body to transmission case, .020, yellow.....	A.R.
	35R86	+ Kit - gasket, transmission and differential overhaul.....	1
		+ NOTE: Parts with cross (+) included in 35R86.	
39	36A8892	Lever - transmission control.....	1
40		50A4084 - Set Screw, cup point, lever adjusting, 3/8"-16 x 1".....	2
41		50A3742 - Nut, hex. jam, 3/8"-16.....	2
42	35A6126	Shaft - lever, 1/2" x 5-1/4".....	1
43		50A2832 - Pin, roll, 3/16" x 1".....	1
44	35A9698	Knob - lever, transmission control, 4-1/2" long.....	1

MSB SERIES FORK LIFT TRUCKS

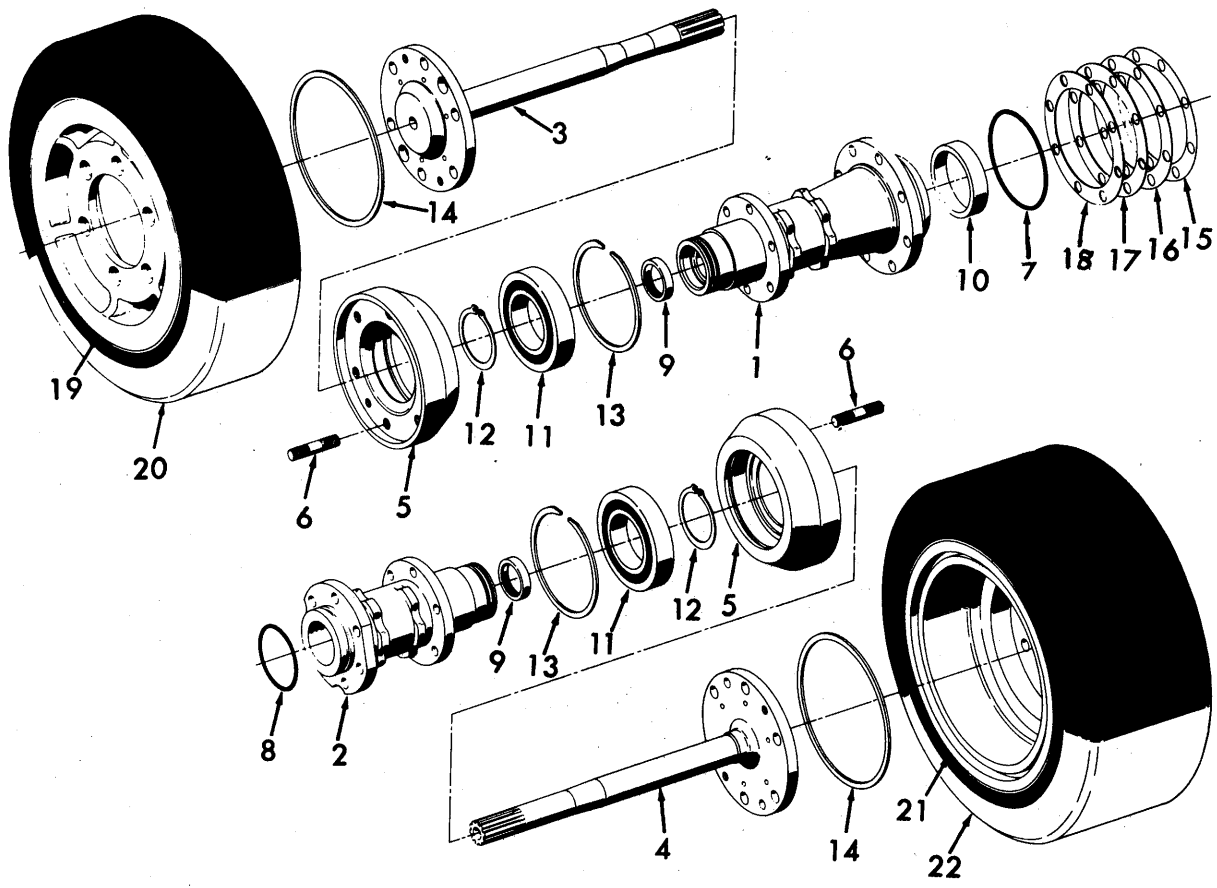
Ref. No.	Part No.	DESCRIPTION	No. Pcs.
TRANSMISSION CONTROL VALVE AND CONTROLS (Cont'd)			
45	35A9689	Arm - transmission control, left hand .....	1
46	35A9690	Arm - transmission control, right hand .....	1
47	35A9866	Bushing - arms, mounts in frame, 5/16" long x 3/4" O.D. ....	2
48	35A9691	Rod - arms, 7/8" O.D. x 22-1/4" .....	1
49		50A3859 Pin - rod, (groove), 3/16" x 1".....	2
50	36A8900	Rod - assembly, transmission control, 21-1/2" long.....	1
51	35A9692	Rod - transmission control, 5/16"-24 NF x 14-3/4".....	1
52		50A4275 Clevis - rods, 5/16"-24 NF .....	4
53		50A3854 Pin - clevis, 5/16".....	4
		50A3829 Pin - cotter, 3/32" x 3/4" .....	4
54		50A5002 Nut - hex., 5/16"-24 NF .....	4



MSB SERIES FORK LIFT TRUCKS

Ref. No.	Part No.	DESCRIPTION	No. Pcs.
DRIVE AXLE, WHEELS AND TIRES			
1	35A 6298	Housing - axle, left hand.....	1
2	35A 6299	Housing - axle, right hand.....	1
		GM180148 - Bolt, hex., 7/16" -14 x 1-3/8".....	15
3	35A 9884	Shaft - axle, left hand.....	1
4	35A 9883	Shaft - axle, right hand.....	1
		50A2746 - Screw, flat head, 3/8" -16 x 1".....	4
5	35A 6302	Housing - bearing.....	2
6	35A 4423	Stud - bearing housing.....	12
		50A1094 - Nut, wheel, 1/2" -20.....	12
7	10A8521	*"O" Ring - left hand axle housing.....	1
8	E 613	*"O" Ring - right hand axle housing.....	1
9	35A 6400	*Seal - oil, axle housing.....	2
10	10A 7607	Cup - bearing, left hand axle housing, inner.....	1
11	35A 5844	Bearing - ball, axle housing, outer.....	2
12	15A 16066	Ring - retainer, ball bearing, on axle housing, 2-3/8" dia. ....	2
		50A1756 - Ring, retaining, in bearing housing, (Tru-Arc N5000-433)....	2
14	35A 6304	*Ring - sealing, wheel to housing.....	2
15	35A 4445	*Shim - left hand axle housing, .002.....	A.R.
16	35A 4446	*Shim - left hand axle housing, .003.....	A.R.
17	35A 4447	*Shim - left hand axle housing, .005.....	A.R.
18	35A 4448	*Shim - left hand axle housing, .020.....	A.R.
	35R86	*Kit - gasket, transmission and differential overhaul.....	1
		*NOTE: Kit includes parts identified with a single asterisk (*).	
	36A 6327	Wheel - with tire, MSB20 and 25.....	2
		Consists of the following 2 parts:	
19	35A 6327	Wheel - less tire, MSB 20 and 25.....	2
20	35A 4395	Tire - cushion, 16-1/4" x 5" x 11-1/4".....	2
	36A 6305	Wheel - with tire, MSB 30 and 35.....	2
		Consists of the following 2 parts:	
21	35A 6305	Wheel - less tire, MSB 30 and 35.....	2
22	35A 4394	Tire - cushion, 16-1/4" x 7" x 11-1/4".....	2



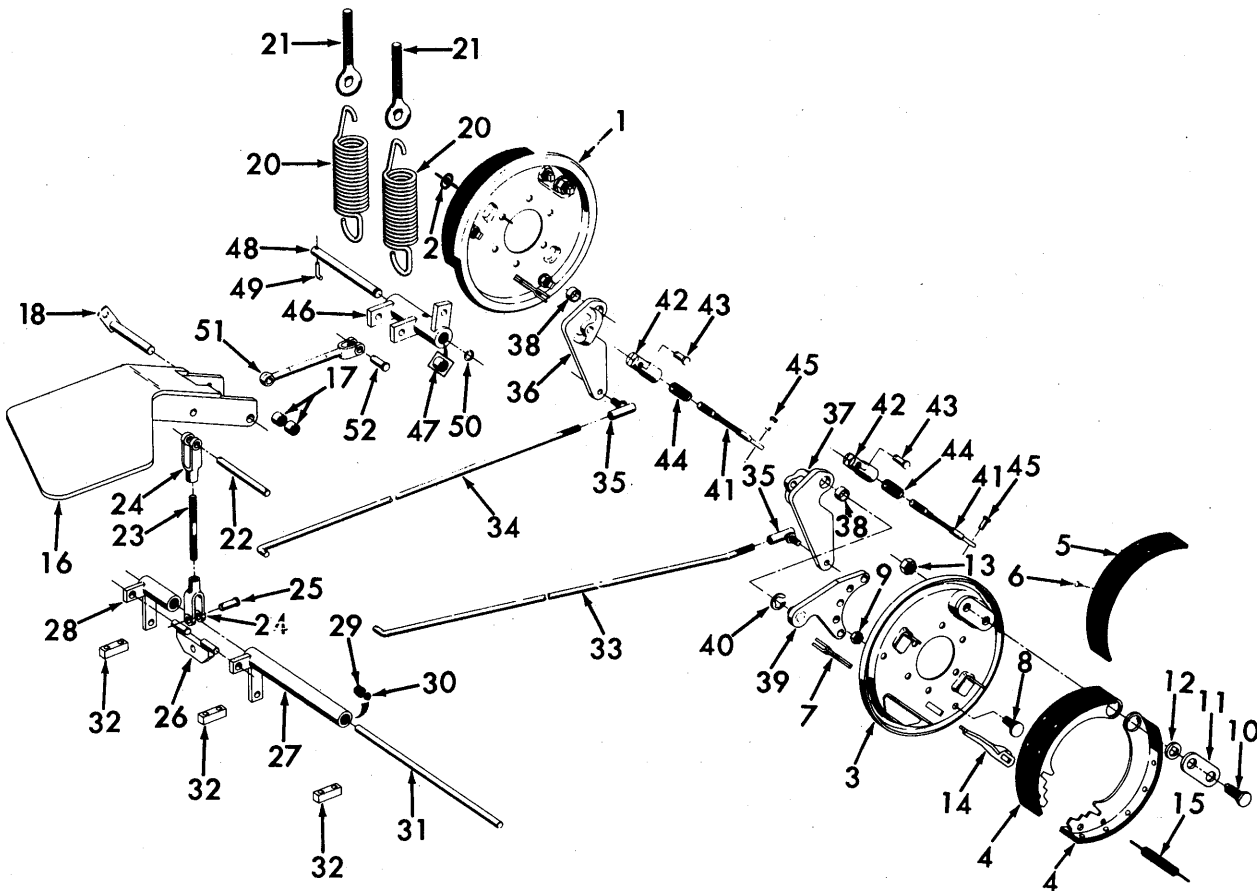


MSB SERIES FORK LIFT TRUCKS

Ref. No.	Part No.	DESCRIPTION	No. Pcs.
BRAKES AND BRAKE LINKAGE			
1	35A4406	Brake - left hand .....	1
1	35A4407	Brake - right hand .....	1
		Each includes ref. #3 thru 15:	
		50A1441 - Bolt, 12 pt., 3/8"-16 x 1-1/4" .....	11
		50A1155 - Screw, cap, flat head, 3/8"-16 x 1-3/4" .....	6
		50A1900 - Nut, hex., 3/8"-16 .....	22
		50A1442 - Bolt, 12 pt., 3/8"-16 x 1-1/2" .....	5
2	35A7881	Washer - flat, (Special) cut, 7/16" I.D., 1" O.D. ....	10
		50A2653 - Washer, flat, 7/16" I.D., 1" O.D. ....	12
3	35P1692	Plate - backing, left hand .....	1
3	35P1693	Plate - backing, right hand .....	1
4	35P1270	Shoe - assembly, with lining.....	4
		Includes the following 2 parts:	
5	35P1271	Kit - lining, with rivets (enough for 1 truck).....	1
6	JT9127	Rivet - lining .....	48
7	35P1272	Lever - actuating.....	2
8	35P1273	Eccentric - shoe adjusting.....	4
9		GM120369 - Nut, hex., 3/8"-24.....	4
10	35P1274	Anchor - pin.....	4
11	35P1275	Plate - anchor pin .....	2
12	35P1276	Cam - anchor pin.....	4
13		GM103028 - Nut, hex., 1/2"-20.....	4
14	35P1277	Strut - actuating lever, L.H. ....	1
14	35P1278	Strut - actuating lever, R.H. ....	1
15	35P1279	Spring - shoe return.....	2
16	36A6307	Pedal - brake .....	1
17	35A7608	Bearing - brake pedal .....	2
18	36A7610	Shaft - pivot, brake pedal.....	1
		50A3655 - Bolt, hex., 5/16"-18 x 3/4".....	1
20	35A4837	Spring - tension, brake pedal, 16-1/2 coils, 2" O.D. ....	2
21	35A7250	Eye Bolt - spring, 1/2".....	2
		GM120238 - Nut, hex. jam, 1/2"-13 .....	4
22	35A7798	Shaft - spring mounting.....	1
		GM121222 - Pin, cotter, 3/32" x 3/4".....	3
		50A4210 - Washer, plain, 13/32" I.D., 13/16" O.D. ....	2
23	35A284	Shaft - brake release.....	1
24		50A4278 - Clevis, adjusting, 3/8"-24 .....	2
25		50A3852 - Pin, clevis, 3/8".....	1
		50A4741 - Nut, hex., jam, 3/8"-24.....	4
26	36A4831	Equalizer - brake.....	1
27	36A7672	Pivot - sleeve, long.....	1
28	36A7671	Pivot - sleeve, short .....	1
		Each includes the following 2 parts:	
29	35A7669	Bearing - pivot.....	4
30	35A7670	Seal - pivot .....	4
31	35A7668	Shaft - sleeve pivot.....	1
32	35A4827	Clamp - pivot shaft to frame.....	3
		GM181004 Bolt - hex., 5/16"-24 x 1-1/8".....	6
33	35A4820	Rod - brake, right hand.....	1
34	35A4819	Rod - brake, left hand.....	1
		GM120393 - Washer, plain, 11/32" I.D., 11/16" O.D. ....	2
		GM137141 - Pin, cotter, 1/16" x 5/8".....	2
35		50A4318 - Ball joint .....	2
		GM124920 - Nut, hex. jam, 5/16"-24 .....	4
36	36A6649	Plate - brake pivot, left hand .....	1
37	36A6650	Plate - brake pivot, right hand .....	1
38	35A4830	Bushing - brake plate.....	2
39	36A8525	Plate - mounting .....	1
40	20H4567	Ring - snap, (Tru-Arc 5133-62).....	2
41	35A5732	Cable - brake.....	1

MSB SERIES FORK LIFT TRUCKS

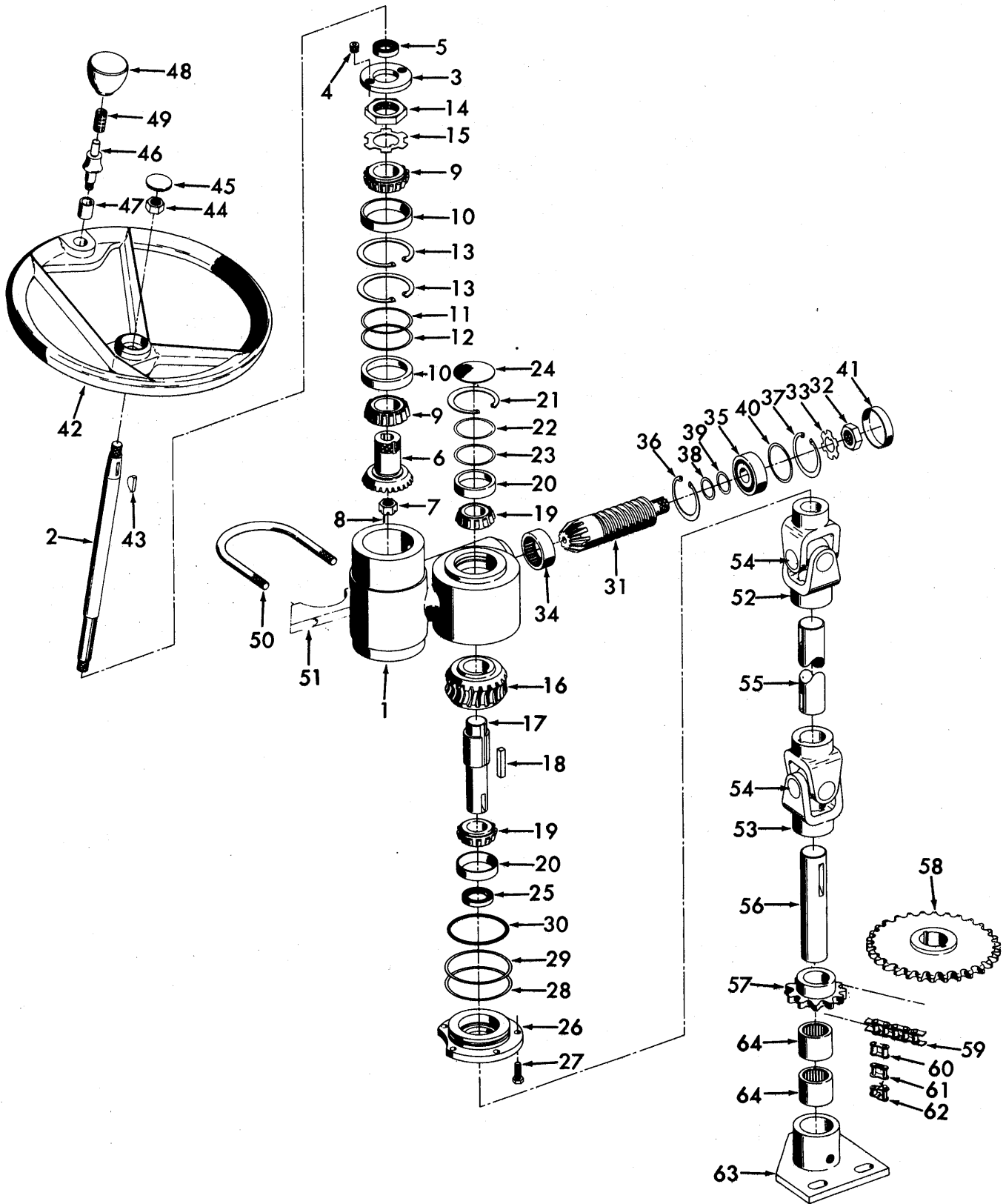
Ref. No.	Part No.	DESCRIPTION	No. Pcs.
BRAKES AND BRAKE LINKAGE (Cont'd)			
42	35A8543	Clevis - brake cable.....	2
43		50A3852 - Pin, clevis, 3/8".....	2
		GM141405 - Pin, cotter, 7/64" x 3/4".....	2
44	35A8544	Stud - reducer bushing, clevis, 5/8"-18 to 3/8"-24.....	2
45		50A3851 - Pin, clevis, 1/4".....	2
		50A3830 - Pin, cotter, 1/16" x 3/4".....	2
46	36A7611	Bell - crank, control rod.....	1
		Includes the following part: GM173102 Fitting - grease, 1-1/8" pipe x 45°.....	2
47	35A7608	Bearing - bell crank.....	2
48	35A7609	Shaft - bell crank, 1/2" x 6-3/16".....	1
49	35A6097	Pin - lock, shaft.....	1
50		50A1827 - Ring, snap, shaft.....	1
51	36A7251	Rod - bell crank to pedal.....	1
52		50A3852 - Pin, rod clevis.....	1
		50A3829 - Pin, cotter, 3/32" x 3/4".....	1



MSB SERIES FORK LIFT TRUCKS

Ref. No.	Part No.	DESCRIPTION	No. Pcs.
STEERING GEAR			
1	35A3580	Housing - steering gear .....	1
2	35A 6254	Shaft - steering .....	1
3	35A3584	Cover - steering housing .....	1
4		50A954 - Plug, pipe, 1/8".....	2
		50A980 - Lock nut, shaft, (Timken No. 6).....	1
		50A981 - Lockwasher, nut, (Timken TW 106).....	1
5	10A19477	Seal - oil, steering shaft .....	1
6	35A3585	Gear - bevel, steering shaft .....	1
7		GM102647 - Nut, lock gear, 1/2" -20 .....	1
		GM103375 - Pin, cotter, 3/32" x 1-1/4" .....	1
8	TA438	Key - lock, bevel gear to shaft .....	1
9	10A 7330	Cone - bearing, bevel gear.....	2
10	10A 7331	Cup - bearing, bevel gear.....	2
11	35A 5120	Shim - bevel gear bearings, .005 thick .....	A.R.
12	35A 5119	Shim - bevel gear bearings, .010 thick .....	A.R.
13		50A984 - Ring, snap, bevel gear bearing (Tru-Arc N5000-237) .....	2
14		50A980 - Nut, adjusting, bevel gear bearing.....	1
15		50A981 - Washer, lock, adjusting nut .....	1
16	35A 7749	Gear - worm, right hand steering.....	1
16	35A 7751	Gear - worm, left hand steering.....	1
17	35A3594	Shaft - worm gear, 4-13/16" long.....	1
18	PA2131	Key - lock, worm gear to shaft, 1/4" sq. x 1-1/2" .....	1
19	10A14363	Cone - bearing, worm gear shaft.....	2
20	10A14362	Cup - bearing, worm gear shaft .....	2
21	10A17157	Ring - snap, worm gear bearing (Tru-Arc N5000-200).....	1
22	35A4102	Shim - worm gear bearing, .005 thick .....	A.R.
23	35A4104	Shim - worm gear bearing, .010 thick .....	A.R.
24	35A3582	Plug - expansion, worm gear opening, 2-1/16" dia. ....	1
25	35A3596	Seal - oil, worm gear shaft.....	1
26	35A3581	Cover - worm gear shaft .....	1
27		50A988 - Bolt, hex., Nylock, 1/4"-20 x 3/4" .....	5
28	35A 5121	Shim - cover, .002 thick .....	A.R.
29	35A 5122	Shim - cover, .003 thick .....	A.R.
30	M539	"O" Ring - cover, 2-55/64" I.D., 3-9/64" O.D. ....	1
31	35A 7748	Worm - steering, right hand steering.....	1
31	35A 7750	Worm - steering, left hand steering.....	1
32		50A985 - Nut, lock, steering worm (Timken No. 4).....	1
33		50A986 - Washer, lock nut (Timken TW 104) .....	1
34	35A3593	Bearing - needle, steering worm .....	1
35	10A 735	Bearing - ball, steering worm.....	1
36	30A1567	Ring - snap, ball bearing, inner (Tru-Arc N5000-206).....	1
37		50A982 - Ring, snap, ball bearing, outer (Tru-Arc N5002-206) .....	1
38	35A 4103	Shim - ball bearing, inner, .005 thick .....	A.R.
39	35A 4101	Shim - ball bearing, inner, .010 thick .....	A.R.
40	35A3592	Shim - ball bearing, outer, .005 thick .....	A.R.
41	35A3583	Cover - steering worm .....	1
42	35A 4791	Wheel - hand, steering .....	1
43		50A5190 - Key, Woodruff, No. 11, 3/16" x 7/8".....	1
44		50A158 - Nut, hex., (Nylock), 1/2"-13.....	1
		50A3820 - Pin, cotter, 3/32" x 1-1/4".....	1
45		GM142098 - Plug, button, hand wheel, 1-1/4".....	1
46	35A 8613	Shaft - spinner knob.....	1
		50A4210 - Washer, plain, 13/32" I.D., 13/16" O.D. ....	1
		50A155 - Nut, hex., (Nylock), 3/8"-24.....	1
47	35A 4794	Bushing - spinner shaft .....	1
48	35A 8295	Knob - spinner, hand wheel .....	1
49		50A4887 - Insert, knob.....	1
50	35A 6256	"U" Bolt - steering gear mounting .....	1
		50A4938 - Nut, hex., 3/8"-24.....	2

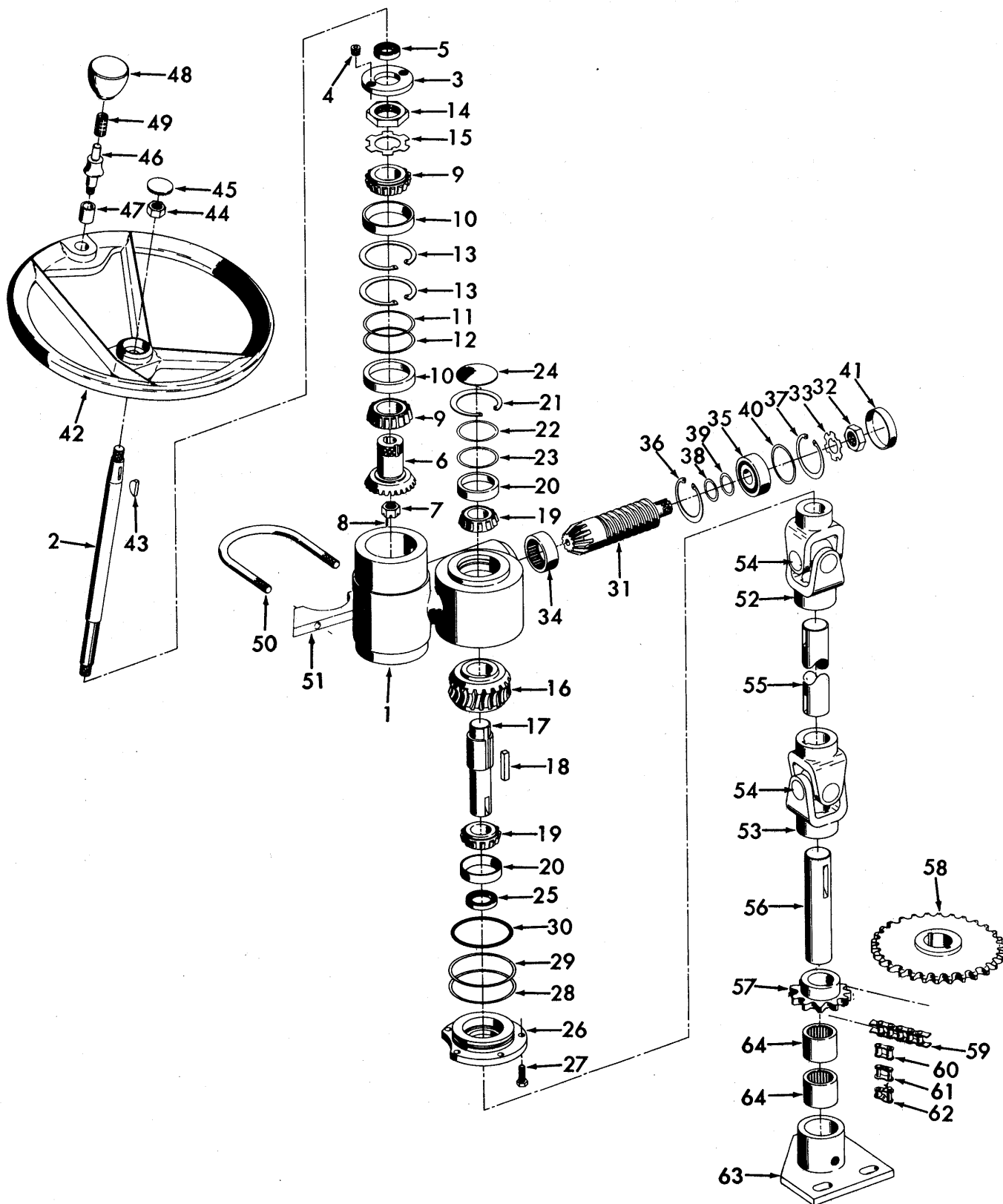
MSB SERIES FORK LIFT TRUCKS



MSB SERIES FORK LIFT TRUCKS

Ref. No.	Part No.	DESCRIPTION	No. Pcs.
STEERING GEAR (Cont'd)			
51	35A 6107	Clamp - steering gear housing.....	1
52	35A 7295	U-Joint - steering shaft, upper .....	1
53	35A 7296	U-Joint - steering shaft, lower .....	2
Each includes the following part:			
GM113782 - Key, Woodruff, No. 15 .....			
50A 5199 - Key, Woodruff, No. 21 .....			
50A 4055 - Set Screw, hex. socket, cup point, 3/8" -16 x 3/4".....			
50A 3742 - Nut, hex. jam, 3/8" -16.....			
54	10P 715	Kit - center cross.....	2
55	35A 9864	Shaft - steering, between joints, 1-1/4" dia. x 12-3/8".....	1
56	35A 7298	Shaft - steering sprocket, 1-1/4" dia. x 5-3/4" .....	1
50A 5209 - Key, Woodruff, No. 27.....			
50A 2614 - Washer, plain, 1-17/64" I.D., 1-11/16" O.D. ....			
50A 3412 - Washer, plain, 1-17/64" I.D., 2" O.D. ....			
57	35A 8068	Sprocket - shaft, steering, 13 teeth.....	1
58	35A 8641	Sprocket - pivot yoke shaft, 31 teeth .....	1
59	35A 8642	Chain - 5/8 P., steering gear to sprocket, 71 links, use 15P927 MSB20-25 ..	1
15P927 Chain - 10 feet of 5/8" pitch roller chain (Approx. 192 links) .....			
60	15P928	Link - roller.....	-
61	9055C	Link - connecting .....	-
62	15P929	Link - offset.....	-
63	36A 7299	Cage - shaft, steering sprocket.....	1
50A 3680 - Bolt, hex., 1/2" -13 x 1-1/4".....			
50A 4212 - Washer, plain, 17/32" I.D., 1-1/16" O.D. ....			
GM109365 - Fitting, grease, 1/8" -90° .....			
64	35A 1847	Bearing - cage, needle .....	2

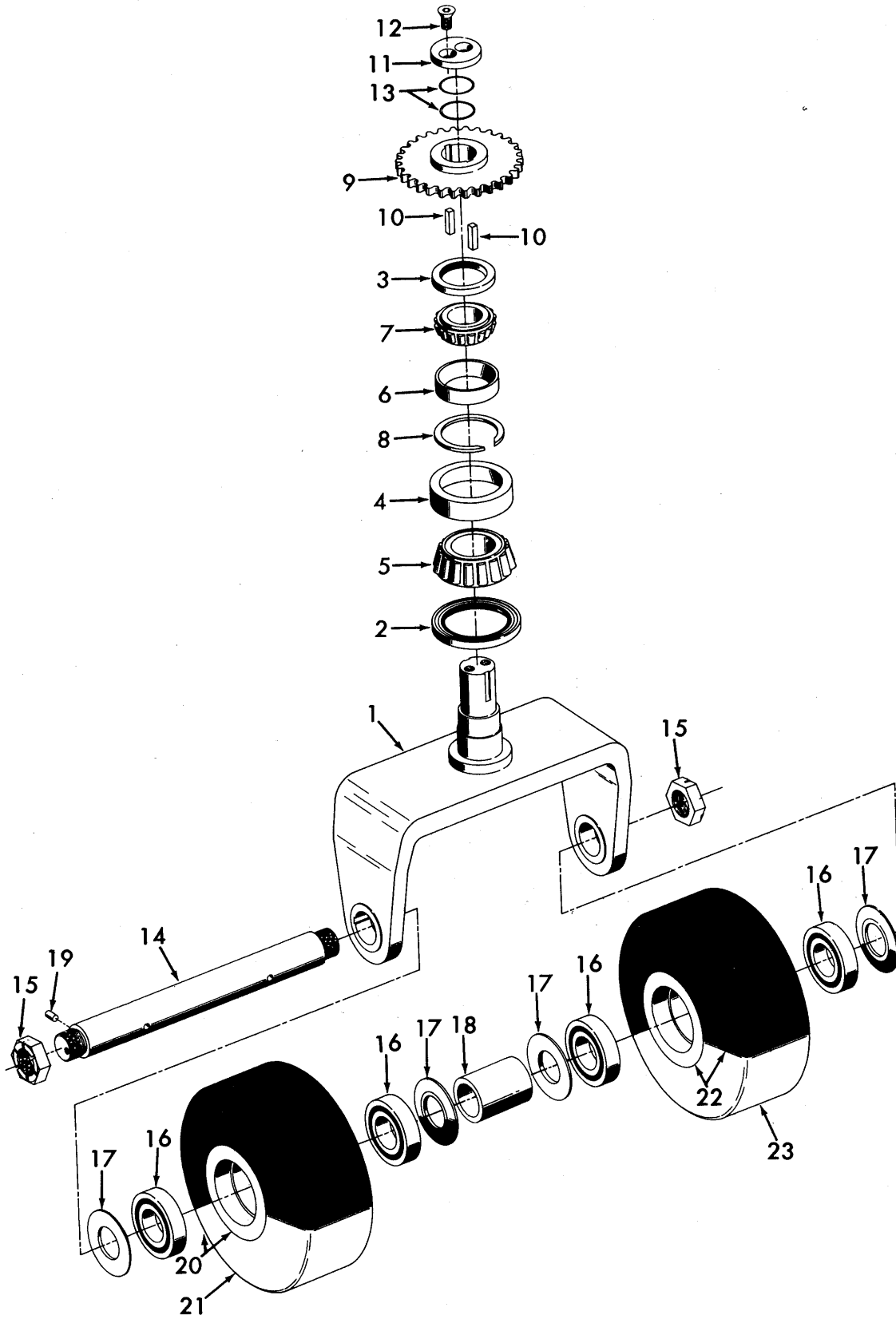
MSB SERIES FORK LIFT TRUCKS



MSB SERIES FORK LIFT TRUCKS

Ref. No.	Part No.	DESCRIPTION	No. Pcs.
<b>STEERING AXLE AND WHEELS</b>			
1	35A3602	Yoke - pivot, steering wheels.....	1
2	35A4109	Seal - oil, pivot yoke, lower.....	1
3	35A3603	Seal - oil, pivot yoke, upper.....	1
4	10A7607	Cup - bearing, pivot yoke, lower.....	1
5	10A8409	Cone - bearing, pivot yoke, lower.....	1
6	10A7052	Cup - bearing, pivot yoke, upper.....	1
7	10A7051	Cone - bearing, pivot yoke, upper.....	1
8		50A987 - Ring, snap, upper bearing.....	1
9	35A8641	Sprocket - pivot yoke shaft, 31 teeth.....	1
10	F444	Key - shaft to sprocket.....	2
11	35A4123	Plate - retainer, sprocket to shaft.....	1
12		50A648 - Screw, plate retainer, 3/8"-16 x 3/4".....	2
13	35A4110	Shim - retainer plate, .005 thick.....	A.R.
13	35A4111	Shim - retainer plate, .010 thick.....	A.R.
13	35A7826	Shim - retainer plate, .042 thick.....	A.R.
14	35A4124	Shaft - axle, steering wheels.....	1
15		50A5563 Nut - axle shaft, elastic stop, 1-1/8"-12.....	2
		50A4636 - Fitting, grease, 1/4"-28, 90°.....	2
16	F399	Bearing - ball, axle shaft.....	4
17	K391	Slinger - oil, axle shaft, outer.....	4
18	35A4122	Spacer - pivot yoke, MSB 20-25 only, 2-1/8" long.....	1
19	T171	Pin - steering axle to pivot yoke.....	1
20	36A4108	Wheel - steering, with cushion tire, for MSB 20-25.....	2
21	35A4107	Tire - cushion, 4 x 4 x 8-1/2, for MSB 20-25.....	2
22	36A4120	Wheel - steering, with cushion tire, for MSB 30-35.....	2
23	R395	Tire - cushion, 5 x 5 x 9, for MSB 30-35.....	2

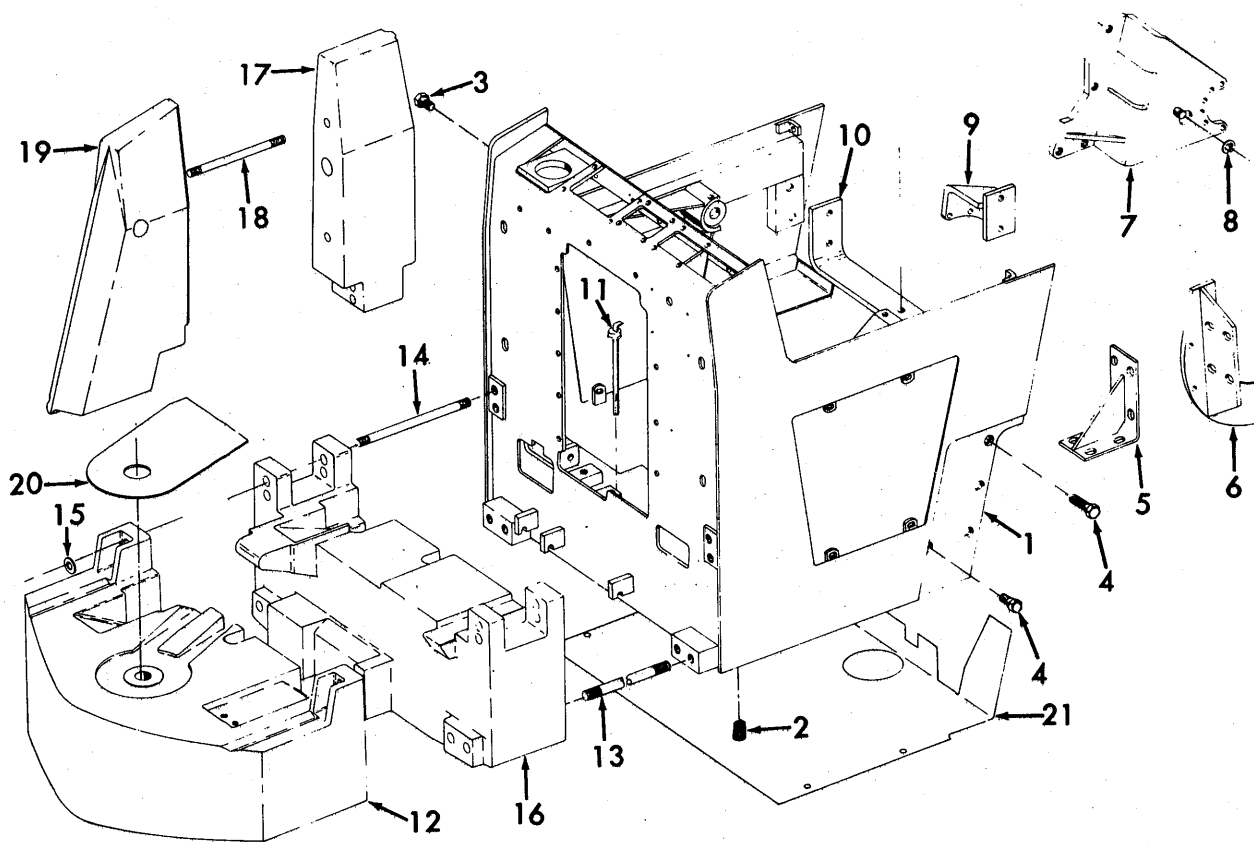




MSB SERIES FORK LIFT TRUCKS

Ref. No.	Part No.	DESCRIPTION	No. Pcs.
FRAME AND COUNTERWEIGHT			
1	36A9798	Frame - main.....	1
2	35A8239	Plug - magnetic, 3/4"-14, recessed sq. hd. ....	1
3	35A7354	Bolt - frame to drive train, L.H. side, 5/8"-11 x 1-1/2".....	4
4	35A5926	Bolt - frame to drive train, R.H. side, 5/8"-11 x 1-7/8".....	4
5	36A7115	Bracket - on top of hydraulic tank.....	1
6	36A7117	Support - bracket to drive train.....	1
		50A3691 - Bolt, hex., 5/8"-11 x 1-1/4".....	4
		50A3692 - Bolt, hex., 5/8"-11 x 1-1/2".....	4
		GM131016 - Washer, plain, 2/32" I.D., 1-5/16" O.D. ....	12
		GM124589 - Nut, hex., 5/8"-11.....	4
7	36A9853	Support - drive train, left hand axle.....	1
8	20H4567	Snap Ring - support (Tru-Arc 5133-62).....	1
9	36A7245	Tie - frame, right hand.....	1
10	35A7243	Tie Bar - frame, left hand side.....	1
		50A3687 - Bolt, hex., 1/2"-13 x 1-1/2".....	4
11	35A8039	Dipstick - hydraulic tank less breather.....	1
12	36A4464	Counterweight - MSB 20-25, (Order from White Mobilift Sales Dept.).....	1
12	35A9894	Counterweight - MSB 30-35, (Order from White Mobilift Sales Dept.).....	1
		GM271750 Bolt - hex., 5/8"-18 x 2-1/2".....	4
		GM131016 Washer - plain, 21/32" I.D., 1-5/16" O.D. ....	4
13	35A6198	Stud - counterweight, 3/4" x 4-1/4", MSB 20-25.....	4
		50A4214 Washer - plain, 21/32" I.D., 1-1/2" O.D. ....	4
		50A4874 Nut - hex., 3/4"-16.....	4
13	35A9890	Stud - counterweight, 3/4" x 12-1/2", MSB 30-35.....	4
		50A1830 Nut - hex., lock, 3/4"-16.....	4
14	35A9889	Stud - counterweight, 5/8" x 11-1/4", MSB 30-35.....	4
		50A1024 Nut - hex., lock, 5/8"-18.....	4
15	35A9473	Washer - stud, 21/32" I.D., 1-5/16" O.D.....	4
16	35A9472	Counterweight - between frame and counterweight, MSB 30-35.....	1
17	35A9470	Counterweight - between wing weight and frame, L.H., MSB 30-35.....	1
17	35A9471	Counterweight - between wing weight and frame, R.H., MSB 30-35.....	1
18	35A9891	Stud - counterweight, 1/2" x 9-1/2", MSB 30-35.....	4
19	35A4466	Counterweight - auxiliary, for MSB 25-35.....	2
		50A3680 Bolt - hex., 1/2"-13 x 1-1/4".....	4
		50A4212 Washer - plain, 17/32" I.D., 1-1/16" O.D. ....	4
20	36A9843	Cover - chain, MSB 20-25.....	1
20	36A8868	Cover - chain, MSB 30-35.....	1
21	35A9746	Pan - belly, main frame, 32-1/4 wide x 22-1/8".....	1

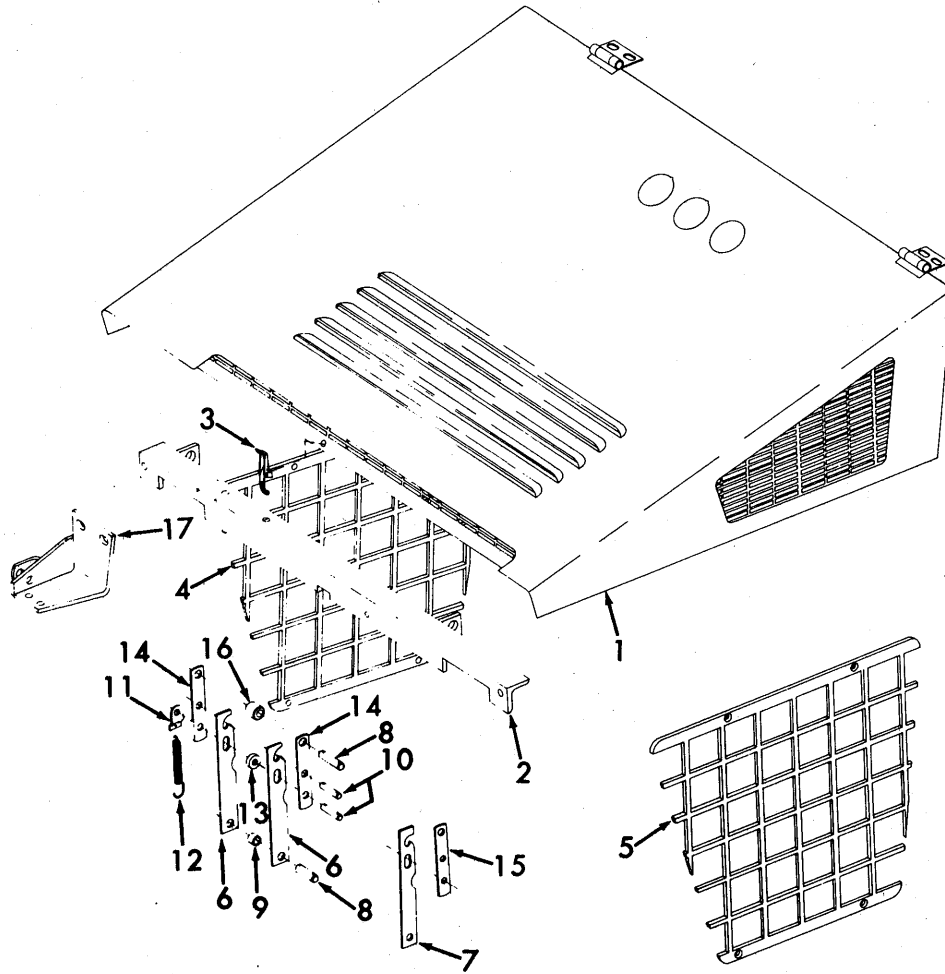
MSB SERIES FORK LIFT TRUCKS



MSB SERIES FORK LIFT TRUCKS

Ref. No.	Part No.	DESCRIPTION	No. Pcs
<b>HOOD, SIDE GRILLE AND OVERHEAD GUARD</b>			
1	36A9858	Hood .....	1
		50A3655 Bolt - hex., 5/16"-18 x 3/4".....	4
		50A3730 Nut - hex., 5/16"-18 .....	4
2	36A8901	Bar - angle, hood bumper, 31-1/2" long .....	1
		50A3666 Bolt - hex., 3/8"-16 x 1" .....	2
		50A1900 Nut - hex., 3/8"-16 .....	2
3	30A1807	Catch - hood .....	1
		50A3644 Bolt - hex., 1/4"-20 x 1/2" .....	1
		50A1898 Nut - hex., 1/4"-20 .....	1
4	35A10259	Grille - frame, R.H. ....	1
5	35A9880	Grille - frame, L.H. ....	1
		50A3917 Screw - flat head, 1/4"-20 x 3/4" .....	8
		50A4870 Fastener - screw .....	8
6	35A6709	Link - hood latch, lower, on units less overhead guard.....	2
7	35A8173	Link - hood latch, lower, on units with overhead guard.....	2
8	D684	Shaft - link to control bracket and hood, 3/8" x 1-5/8" .....	2
9	35A6069	Spacer - between links, on shaft.....	1
10	35A6713	Shaft - links, 5/16" x 1-7/16" .....	2
		50A3829 - Pin, cotter, 3/32" x 3/4" .....	8
11	35A6070	Hook - spring, on shaft .....	1
12	35A6072	Spring - tension, on lower shaft, 34-3/4 coils, 3/8" O.D. ....	1
13	M143	Spacer - link .....	1
14	35A6714	Link - hood latch, upper, on units less overhead guard.....	2
15	35A8172	Link - hood latch, upper, on units with overhead guard.....	2
		50A4202 - Washer, plain, 11/32" I.D., 11/16" O.D. ....	4
16	10A8657	Spacer - link, upper.....	1
17	36A6162	Bracket - hood latch.....	1
		50A3666 Bolt - hex., 3/8"-16 x 1" .....	2
		50A3656 Bolt - hex., 5/16"-18 x 1" .....	1
		50A3730 Nut - hex., 5/16"-18 .....	1
		GM120393 Washer - plain, 11/32" I.D., 11/16" O.D. ....	2
	-----	Guard - overhead, order from White Mobilift Sales Dept. ....	1

MSB SERIES FORK LIFT TRUCKS

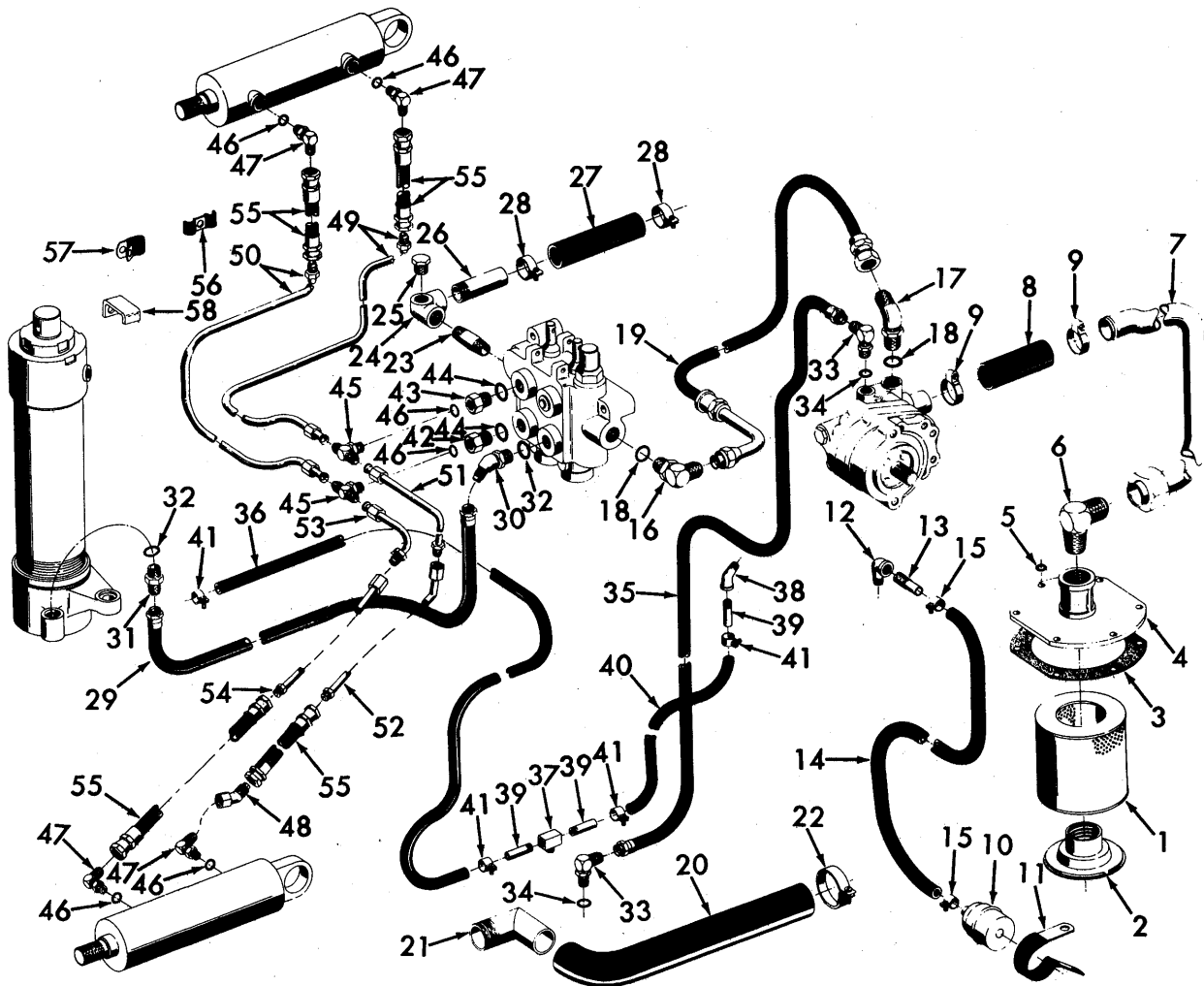


MSB SERIES FORK LIFT TRUCKS

Ref. No.	Part No.	DESCRIPTION	No. Ecs.
OIL LINES AND FILTER			
1	35A8018	Filter - assembly, 5-1/8" O.D. x 4-13/16" long	1
2	35A8019	Valve - filter	1
3	35A8033	Gasket - filter	1
4	36A8618	Cover - hydraulic filter	1
		50A3657 - Bolt, hex., 5/16"-18 x 1-1/4"	6
		50A4221 - Washer, plain, 3/8" I.D., 7/8" O.D.	6
5		50A1749 - Stat-o-seal, cover bolts, 5/16" I.D.	6
6		50A4890 - Elbow, cover, 1-1/4" pipe to 1-5/8"-12 JIC-90°	1
7	35A8621	Tube - filter, curved, 1-1/4" O.D. x 20-1/4" long	1
8	35A8614	Hose - tube to pump, 1-1/4" I.D. x 4" long	1
9	35A8049	Clamp - hose, worm type, 1-1/2"	2
10	35A8051	Breather - reservoir, on tube	1
11		50A4759 - Clip, hose to frame, 3/4" wide	1
12		50A2473 - Elbow, tank breather port, 1/4"-90°	1
13	35A8054	Nipple - toe, 1/4" pipe x 2" long	1
14	35A8037	Hose - vent to breather, 1/2" I.D. x 31" long	1
15		50A4306 - Clamp, hose, 3/4"	2
16		50A4425 - Elbow, valve inlet, 7/8"-14, 90°	1
17		50A4422 - Elbow, pump outlet, 7/8"-14, 45°	1
18	10A16285	"O" Ring - elbow and connector	2
19	35A7727	Hose - with tube assembly, pump to valve	1
20	35A9560	Hose - hydraulic tank to transmission, L-shaped 1-7/8" I.D. x 14-15/16" long	1
21	36A9797	Elbow - transmission case, 1-1/2" O.D. x 90°	1
22		50A4289 - Clamp, hose, 2-1/4"	2
23		50A4504 - Nipple, valve outlet, 3/4" x 2"	1
24	35A8119	Elbow - valve, 3/4" x 90°	1
25		GM444637 - Plug, pipe, hex. head, 3/4"-14	1
	35A7087	Nipple - toe, hose to elbow, 3/4" pipe x 3" long	1
27	35A6484	Hose - valve outlet to tank	1
28		50A4285 - Clamp, hose, 1-3/8"	2
29	35A8118	Hose - valve to lift cylinder	1
30		50A4422 - Elbow, valve to hose, 7/8"-14, 45°	1
31		50A4428 - Connector, lift cylinder, straight, 7/8"-14	1
32	10A16285	"O" Ring - elbow and connector	2
33		50A4423 - Elbow, flow divider and transmission valve, 9/16"-18 x 90°	2
34	10A16405	"O" Ring - elbow	2
35	35A7124	Hose - pump to transmission valve	1
36	35A4342	Hose - vent, 3/8" I.D. x 26-1/2"	1
37		50A4598 - Tee, vent line to transmission, 1/8"	1
38		GM144117 - Elbow, vent line, 1/8"-45° street	1
39		50A2394 - Nipple, toe tee and elbow, 1/8" I.D. x 1-1/2"	3
40	35A4340	Hose - vent, 3/8" I.D. x 21-1/2" long	1
41		50A4305 - Clamp, hose, 5/8"	4
42	35A5001	Restrictor - reducer, valve tilt port, lower, 3/4"-16 to 9/16"-18 x 1-1/16"	1
43	35A5002	Bushing - reducer, in valve tilt port, upper, 3/4"-16 to 9/16"-18 x 1-1/16"	1
44	10A12012	"O" Ring - restrictor and bushing	2
45		50A4889 - Tee, valve, 9/16"-18	2
46	10A16405	"O" Ring - tee and elbows	6
47		50A4423 - Elbow, tilt cylinder ports, 9/16"-18 J.I.C. x 90°	4
48		50A4736 - Fitting, tilt cylinder, L.H. rear port, 45°	1
49	35A9912	Tube - assembly, tilt cylinder, R.H. rear port to control valve	1
50	35A9914	Tube - assembly, tilt cylinder, R.H. front port to control valve	1
51	35A8198	Tube - tilt cylinder, L.H., tee to tube and hose, rear port	1
52	35A9913	Tube - assembly, tilt cylinder, L.H., rear port to tube	1
53	35A8199	Tube - tilt cylinder, L.H., tee to tube and hose, front port	1

MSB SERIES FORK LIFT TRUCKS

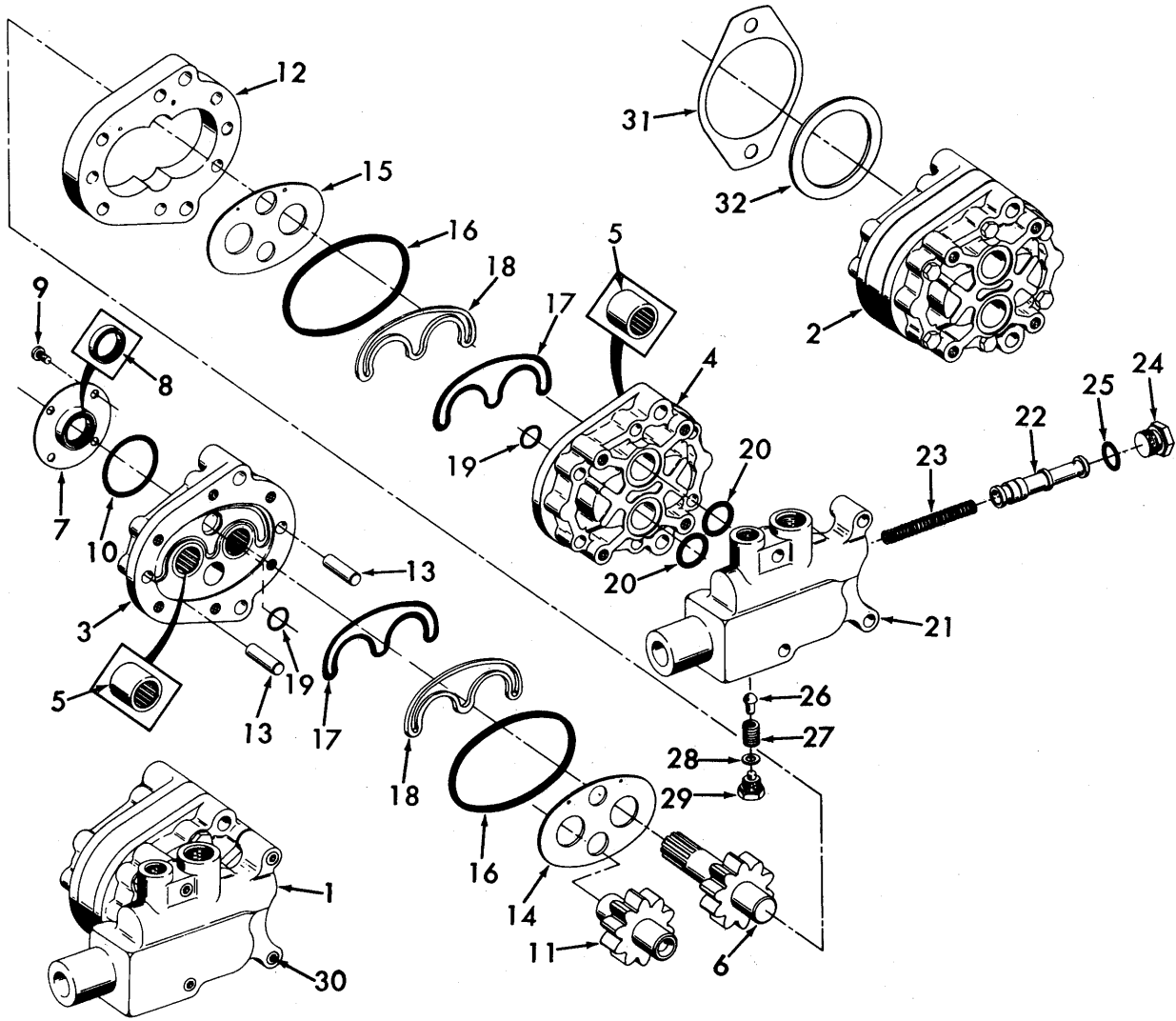
Ref. No.	Part No.	DESCRIPTION	No. Pcs.
OIL LINES AND FILTER (Cont'd)			
54	35A9915	Tube - assembly, tilt cylinder, L.H., front port to tube .....	1
55		50A5131 Hose - tubes to tilt cylinders, 3/8" I.D. x 10" .....	4
56		50A4657 Clip - hoses, 3/4" wide, R.H. side .....	1
		50A3645 Bolt - hex., 1/4"-20 x 5/8" .....	2
		50A1898 Nut - hex., 1/4"-20 .....	1
57		50A177 Clip - hoses, loop type, 3/4" wide, L.H. side .....	1
58	35A9919	Bracket - hose, mounts to transmission case, U-shaped .....	1



MSB SERIES FORK LIFT TRUCKS

Ref. No.	Part No.	DESCRIPTION	No. Pcs.
HYDRAULIC PUMP			
1	35A8597	Pump - hydraulic (Webster No. 2Y1DS4-RB), for replacement order 10A24659 pump and 10A24296 flow divider.....	1
2	10A24659	Pump - hydraulic..... <del>20-7302707</del> Consists of Ref. No. 2 through 30: Includes Ref. No. 3 through 20: 50A1929 - Bolt, hex., 3/8"-16 x 4".....	1
3	35P2058	Body - assembly, front.....	1
4	10P3074	Cover - assembly, rear..... Each includes the following part:	1
5	35P297	Bearing - needle, drive and idler shafts .....	4
6	35P2059	Shaft - drive, with drive gear.....	1
7	35P1287	Retainer - with oil seal..... Includes the following part:	1
8	35P1295	*Seal - oil.....	1
9	10P1966	Screw - pan head, thd. cutting, No. 10-24 x 3/8".....	4
10	10P2027	*Seal - "O" ring, retainer, 1-3/4" I.D. x 1-15/16" O.D.....	1
11	35P2060	Gear - idler.....	1
12	35P2061	Plate - gear, .8011 thick .....	1
13	35P2062	Pin - dowel, gear plate, 3/8" x 1-7/16"..... 50A3672 - Bolt, hex., 3/8"-16 x 2-3/4" .....	2 6
14	10P2015	Plate - wear, pump body.....	1
15	10P2014	Plate - wear, pump cover.....	1
16	10P3077	*Seal - wear plate, outer, rubber.....	2
17	35P284	*Seal - wear plate, inner, rubber .....	2
18	10P3067	*Ring - back-up, wear plate seal .....	2
19	10P2021	*Seal - "O" ring, 5/8" I.D., 3/4" O.D. ....	2
20	35P2051	*Seal - "O" ring, manifold to pump.....	2
21	10A24296	Flow Divider - assembly .....	1
		Includes Ref. No. 22 through 29:	
22	35P2063	Piston .....	1
23	10P1592	Spring - piston, 27 coils .....	1
24	10P1595	Plug - piston and spring, 3/4"-16 N.F. ....	1
25	35P1294	Seal - "O" ring, plug, 7/8" O.D. ....	1
26	35P2064	Valve .....	1
27	35P2065	Spring - valve.....	1
28	35P293	Shim - valve spring .....	A.R.
29	35P292	Plug - valve, 1/2"-20 N.F. ....	1
30	35P2050	Bolt - hex. socket, 5/16"-18 x 1-3/4".....	4
	35R99	*Kit - seals .....	1
		*NOTE: Those parts identified with an asterisk (*) are included in seal kit.	
31	35A4439	Shim - pump to cover, green, .003 .....	A.R.
31	35A4438	Shim - pump to cover, blue, .005 .....	A.R.
31	35A4440	Shim - pump to cover, yellow, .020 .....	A.R.
31	35A8224	Shim - pump, metal, .003.....	A.R.
31	35A8223	Shim - pump, metal, .005.....	A.R.
31	35A8225	Shim - pump, metal, .010.....	A.R.
31	35A8222	Shim - pump, metal, .020.....	A.R.
32	35A4145	Spacer - pump to cover, 3/32" x 2-17/32" I.D., 3-7/32" O.D. ....	1



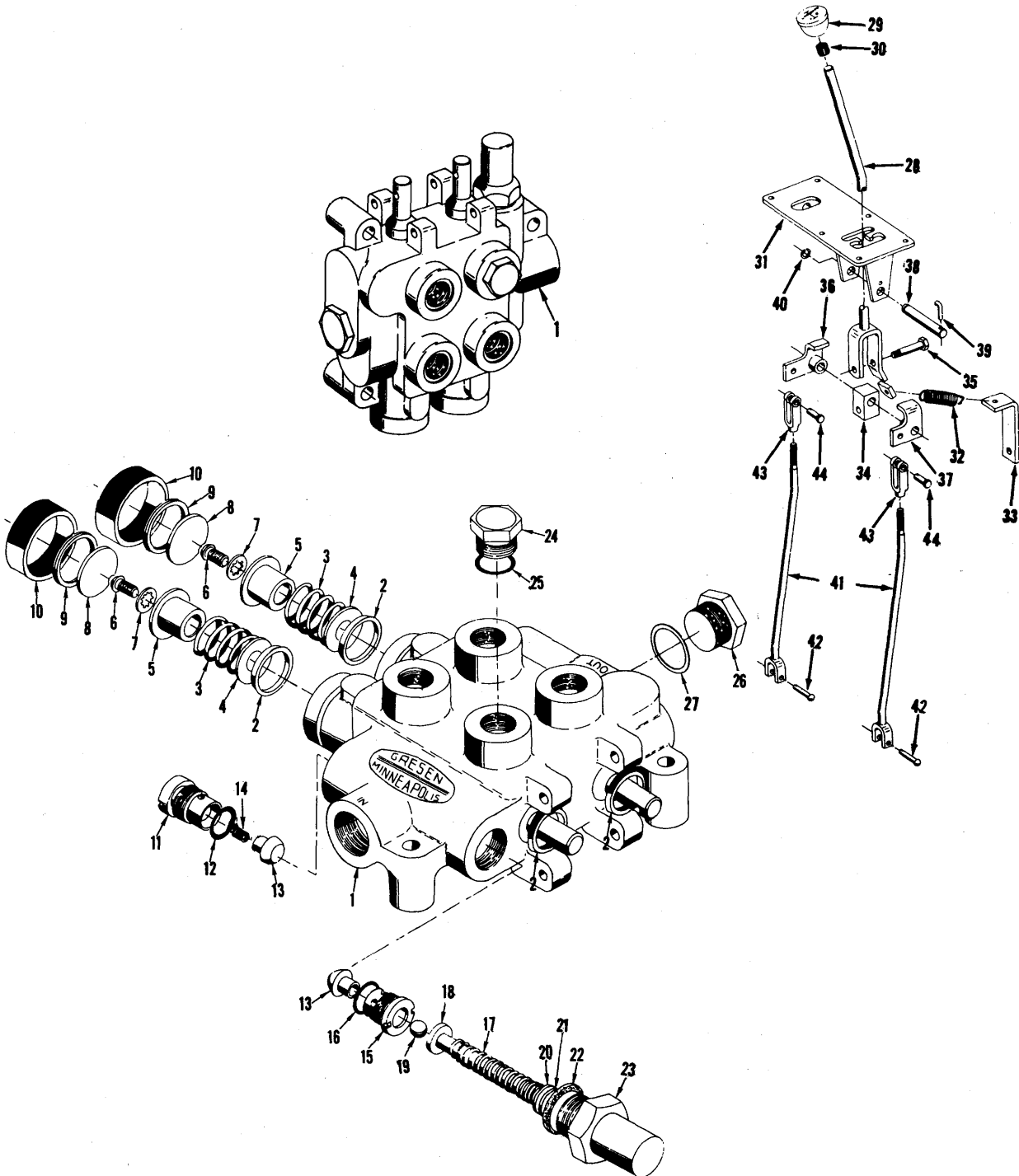


MSB SERIES FORK LIFT TRUCKS

Ref. No.	Part No.	DESCRIPTION	No. Pcs.
MAST CONTROL LEVERS AND VALVE			
1	35A5903	Valve - mast control, assembly, MSB 20-25 .....	1
1	35A5904	Valve - mast control, assembly, MSB 30-35 .....	1
		Each includes the following 26 parts:	
		50A1925 - Bolt, hex., 3/8"-16 x 2-1/2" .....	3
		50A1900 - Nut, hex., 3/8"-16 .....	3
2	15P660	Seal - spool, vee block type (early valves) .....	4
		50A1666 - Seal spool, quad ring style (late valves) .....	4
3	15P656	Spring - spool centering .....	2
4	10P1652	Washer - stop, centering spring .....	2
5	15P654	Collar - stop, centering spring .....	2
6	15P652	Bolt - stop collar .....	2
7	10P1650	Washer - lock, stop collar bolt .....	2
8	15P655	Disc - stop collar .....	2
9	15P657	Ring - snap, stop disc .....	2
10	15P663	Bonnet - rubber, spool opening .....	2
11	35P215	Plug - ball check .....	1
12	10A6329	"O" Ring - ball check plug .....	1
13	35P218	Plunger - check and relief valve .....	2
14	20P4777	Spring - plunger, check valve .....	1
15	35P216	Seat - relief valve .....	1
16	10A12012	"O" Ring - relief valve seat .....	1
17	35P227	Spring - relief .....	1
18	35P222	Guide - relief spring .....	1
19	35P213	Ball - relief guide .....	1
20	10A16489	Washer - spacer, relief spring .....	1
21	10A16490	Shim - relief spring .....	1
22	10A16487	Gasket - relief spring cap .....	1
23	35P220	Cap - relief spring .....	1
24	35P1248	Plug - port, 7/8"-14 UNF .....	1
25	35P225	"O" Ring - port plug .....	1
26	35P1034	Plug - conversion .....	1
27	15P747	Gasket - conversion plug .....	1
28	36A9439	Lever - control, lift and tilt .....	1
29	35A8611	Knob - control lever, solid .....	1
30		50A4887 - Insert, knob .....	1
31	36A8888	Bracket - lever mounting .....	1
		50A3648 - Bolt, hex., 1/4"-20 x 1" .....	6
		50A1898 - Nut, hex., 1/4"-20 .....	6
32	10A25890	Spring - lever, 23/32" O.D., 3" long .....	1
33	10A24261	Bracket - spring, L-shaped, 4" long .....	1
		50A3667 - Bolt, hex., 3/8"-16 x 1-1/4" .....	1
		50A1900 - Nut, hex., 3/8"-16 .....	1
34	35A6098	Pivot - lever .....	1
35	35A6694	Bolt - pivot bar .....	1
		50A1043 - Nut, hex., (Esna), 5/16"-24 .....	1
36	36A6150	Bell Crank - control lever, right hand .....	1
37	36A6149	Bell Crank - control lever, left hand .....	1
38	35A6096	Shaft - bell crank .....	1
39	35A6097	Lock Pin - shaft .....	1
40		50A1827 - Snap ring, shaft (Tru-Arc 5133-50) .....	1
41	36A6183	Link - connecting, valve to bell crank .....	2
		GM124829 - Nut, hex. jam, 3/8"-16 .....	2
42	15A12318	Rivet - rd. hd., 1/4" x 1-1/2" .....	2
		GM120393 - Washer, plain, 11/32" I.D., 11/16" O.D. ....	2

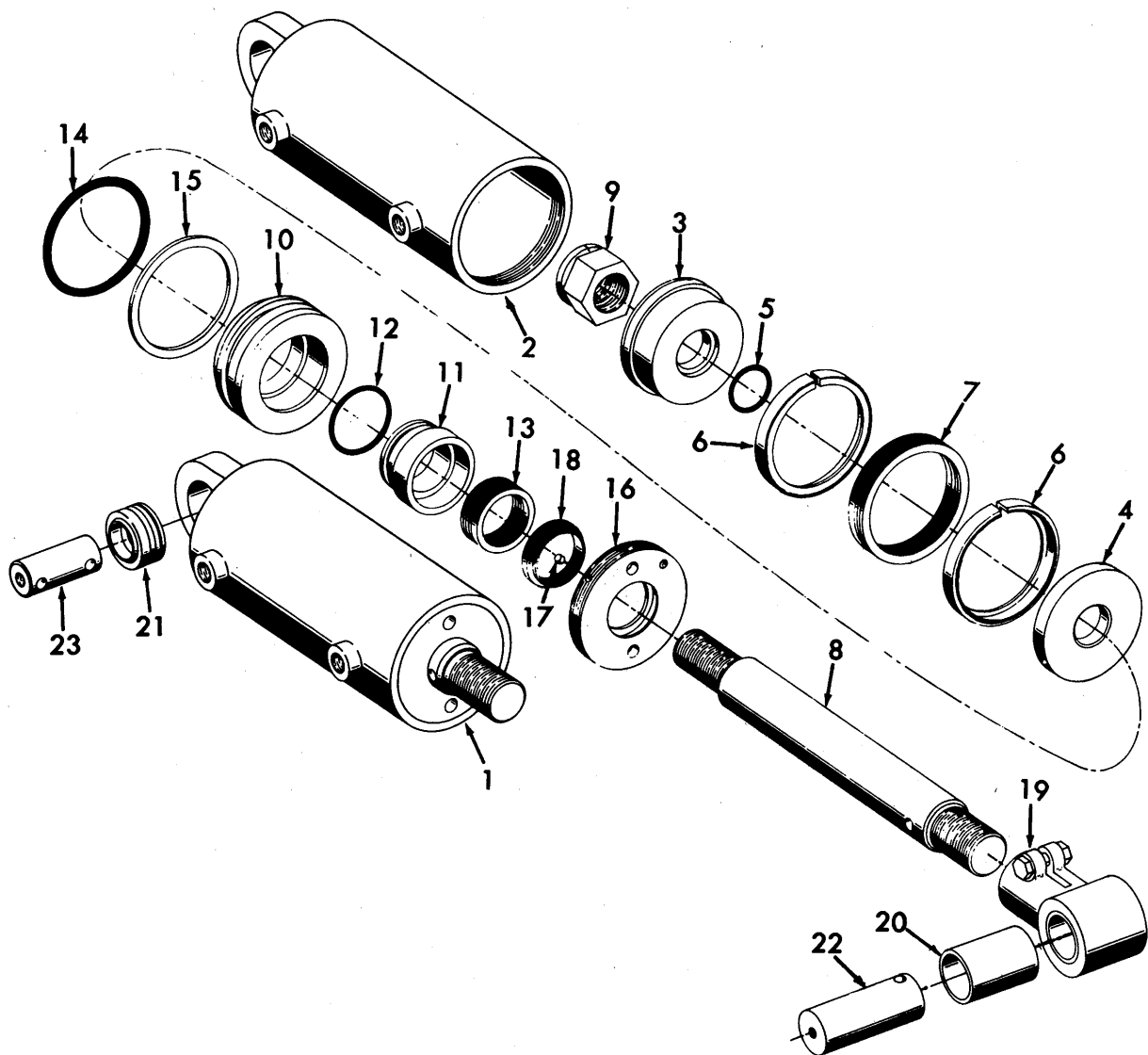
MSB SERIES FORK LIFT TRUCKS

Ref. No.	Part No.	DESCRIPTION	No. Pcs.
MAST CONTROL LEVERS AND VALVE (Cont'd)			
43	50A3829	- Pin, cotter, 3/32" x 3/4" .....	2
	50A4282	- Clevis, short, 5/16"-24 .....	2
	GM124920	- Nut, hex. jam, 5/16"-24 .....	2
44	50A3854	- Pin, clevis, 5/16" x 31/32" .....	2
	50A3829	- Pin, cotter, 3/32" x 3/4" .....	2



MSB SERIES FORK LIFT TRUCKS

Ref. No.	Part No.	DESCRIPTION	No. Pcs.
TILT CYLINDER			
1	36A7234	Cylinder - assembly, 6° F, 11° B ..... Includes the following 20 parts:	2
2	35P1249	Shell - assembly .....	2
3	35P1250	Piston - half .....	2
4	35P1251	Piston - half .....	2
5	35P1072	*Seal - "O" ring, piston to rod .....	2
6	35P1252	*Rider - nylon, piston .....	4
7	35P1253	*Packing - assembly .....	2
8	35P1254	Rod - piston, 13-5/8" long .....	2
9	35P1255	Nut - piston rod .....	2
10	35P1256	Retainer - piston rod seals .....	2
11	35P1257	Bushing - piston rod retainer .....	2
12	10A7956	*Seal - "O" ring, retainer to bushing .....	2
13	35P1258	*Packing - assembly, retainer bushing .....	2
14	10A4729	*Seal - "O" ring, retainer to outer shell .....	2
15	35P821	*Ring - back-up, outer retainer seal .....	2
16	35P1259	Washer - threaded, with nylon pellet .....	2
17	35P135	Pellet - nylon .....	2
18	35P1260	*Ring - wiper, piston rod .....	2
	35R113	*Repair Kit - cylinder .....	1
		*NOTE: Repair Kit consists of the above parts identified by a single asterisk (*).	
19	35B7235	End - piston rod, with bushing .....	2
20	15A13163	Bushing - piston rod end .....	2
		GM181643 - Bolt, hex. head, 3/8"-24 x 1-1/2" .....	2
		GM120369 - Nut, hex., 3/8"-24 .....	2
21	35A7236	Bearing - cylinder, head end .....	1
22	35A5301	Pin - cylinder, rod end, front, 1-1/4" x 3-1/4" .....	2
23	35A8588	Pin - cylinder, head end, rear, 1" x 2-5/16" .....	2
		50A2852 - Pin, roll, 1/4" x 3" .....	2
		50A4692 - Pin, roll, 1/4" x 1-3/8" .....	4

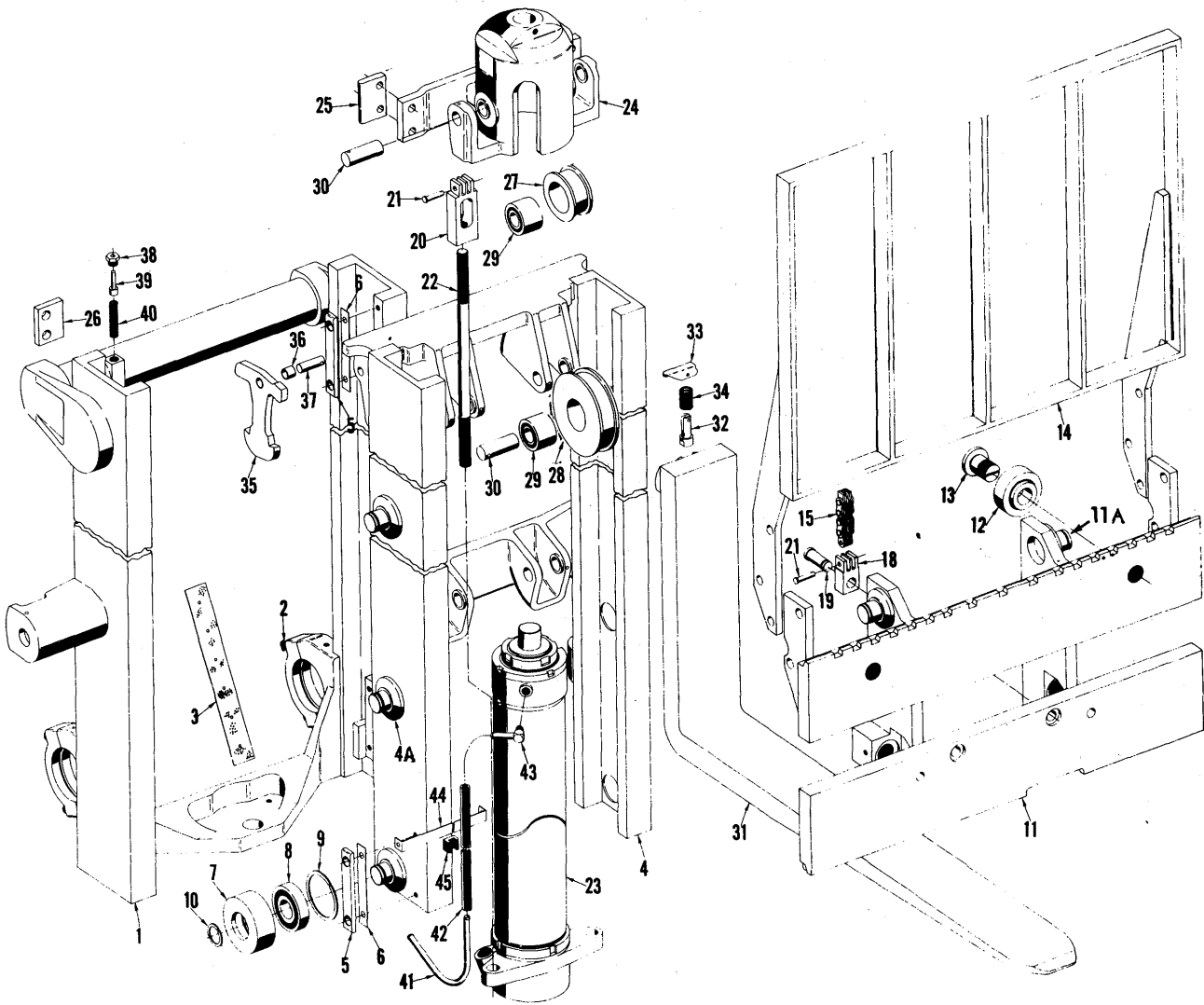


MSB SERIES FORK LIFT TRUCKS

Ref. No.	Part No.	DESCRIPTION	No. Pcs.
		DUPLEX MAST	
1	-----	Rail - outer, assembly, see chart on page 74 .....	1
		Includes the following part:	
		GM191758 - Fitting, grease, 1/8" straight .....	4
2	35A6790	Screw - bearing cap, 1/2"-13 x 2-1/2" .....	4
3	35A4046	Bushing - bearing cap .....	2
4	-----	Rail - inner assembly, see chart on page 74 .....	1
		Includes the following part:	
4A	35A3686	Pin - bearing, inner rail .....	6
5	35A3692	Shoe - mast .....	6
		50A1676 - Screw, hex. socket, 3/8"-16 x 5/8" .....	12
6	35A3693	Shim - mast shoe .....	A.R.
7	35A3691	Roller - mast .....	10
8	35A3687	Bearing - mast roller .....	10
9		50A1677 - Ring, snap, mast and carriage bearing, 2-13/16" I.D. ....	10
10	30A1681	Ring - snap, mast bearing .....	10
11	-----	Carriage - assembly, Order from White Mobilift Sales Dept. ....	1
		Includes the following part:	
11A	35A3686	Pin - bearing, carriage .....	4
12	35A622	Bearing - thrust, carriage .....	4
13	35A5459	Pin - thrust bearing .....	4
		50A4135 - Set Screw, socket head, cup point, 3/8"-16 x 1/2" .....	2
14	-----	Rack - load safety, Order from White Mobilift Sales Dept. ....	1
		50A232 - Bolt, hex., 5/8"-11 x 1-1/2" .....	6
		GM124847 - Nut, hex., 5/8"-11 .....	6
	35A6791	Bracket - mounting, load rack to carriage .....	2
15	-----	Chain - 3 x 4 lacing, No. BL534, see chart on page 74 .....	1
18	35A8510	Anchor - chain, 2-1/2" long .....	2
21	35A4082	Pin - chain anchor, 15/64" x 1-5/16" .....	4
20	35A8509	Anchor - chain, 4-1/4" long .....	2
19	35A3700	Pin - chain anchor, 5/8" x 1-3/4" long .....	2
		50A1976 - Ring, retainer, anchor pin (Tru-arc 5160-62) .....	2
		50A1705 - Ring, retainer, chain pin (Tru-arc 5133-18) .....	8
22	-----	Rod - chain anchor, see chart on page 74 .....	2
		GM124944 - Nut, hex., jam, 5/8"-18 .....	8
	35A4333	Nut - spherical, 5/8"-18 .....	2
23	-----	Cylinder - lift, see chart on page 74 .....	1
		GM180126 - Bolt, hex., 3/8"-16 x 1-1/2" .....	1
		GM124829 - Nut, hex. jam, 3/8"-16 .....	1
24	36A3712	Head - piston .....	1
		GM102592 - Set Screw, cup point, 5/16"-18 x 1/2" .....	1
25	35A3694	Guide - piston head .....	2
		GM180175 - Bolt, hex., 1/2"-13 x 1-1/4" .....	4
26	35A4207	Block - stop, outer rail .....	2
		GM180174 - Bolt, hex., 1/2"-13 x 1-1/8" .....	4
27	35A6987	Sheave - chain, 3" dia. ....	4
28	35A6988	Sheave - chain, 4-5/8" dia. ....	2
29	35A6986	Bearing - sheave .....	6
30	35A4079	Pin - sheave bearing, 2-3/8" long .....	6
		50A2867 - Pin, roll, 5/32" x 5/8" .....	6
31	-----	Fork - lifting, order from White Mobilift Sales Department .....	2
32	35A668	Pin - fork stop, 2-1/16" long .....	2
33	35A669	Lever - stop pin .....	2
34	35A667	Spring - stop pin .....	2
		50A2832 - Pin, roll, 3/16" x 1" .....	2
	35A4097	Washer - fork lock, 1/16" x 21/32" I.D., 7/8" O.D. ....	2
35	36A3707	Latch - fork, includes bushing .....	1
36	10A13028	Bushing - latch, 5/8" I.D., 5/8" long .....	1

MSB SERIES FORK LIFT TRUCKS

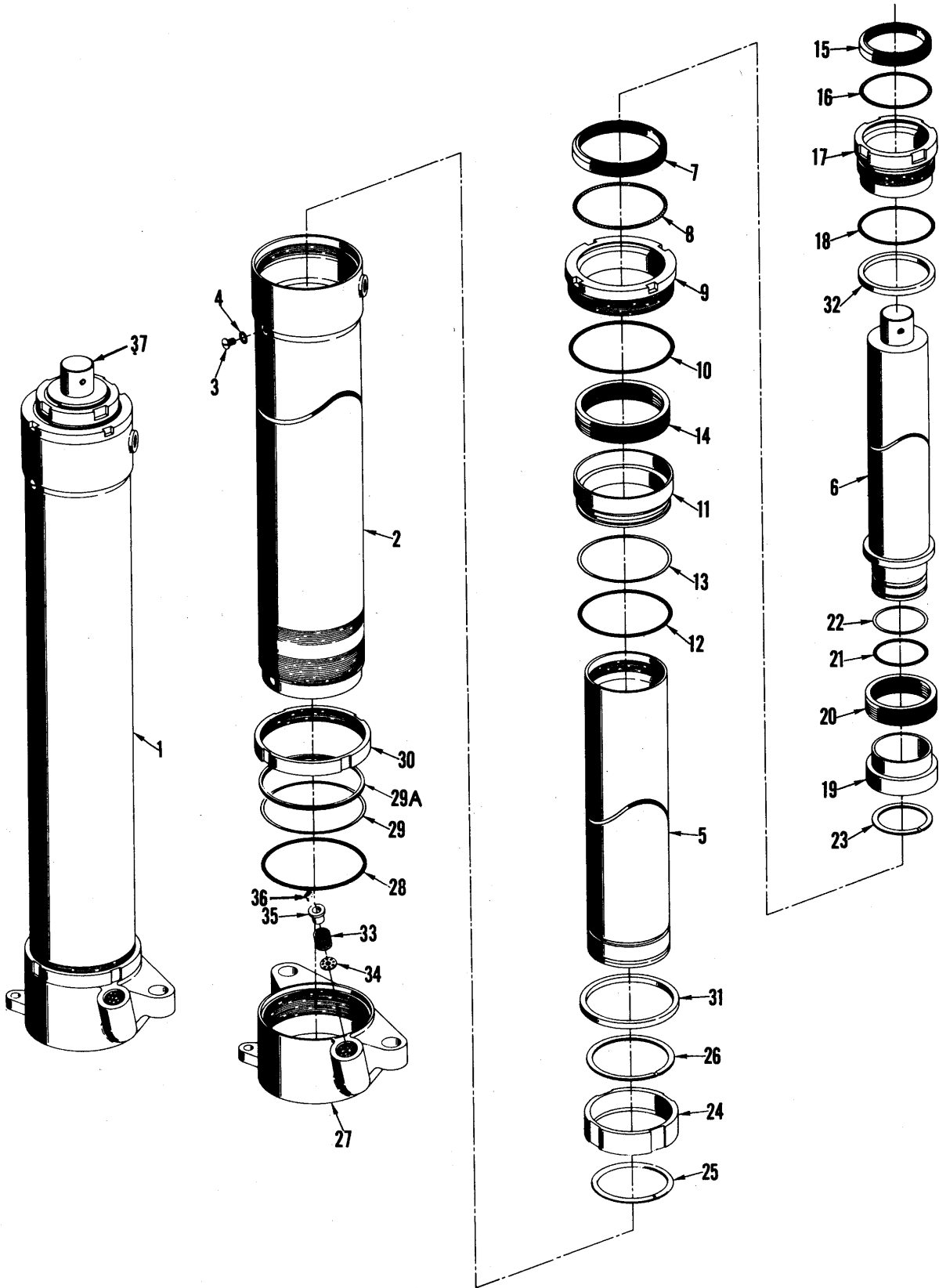
Ref. No.	Part No.	DESCRIPTION	No. Pcs.
DUPLIX MAST (Cont'd)			
37	35A4084	Pin - latch, 5/8" x 1-7/8".....	1
		50A2834 - Pin, roll, 3/16" x 1-1/2".....	1
38	35A3698	Cap - latch dog, outer rail and carriage block.....	2
39	35A3697	Plunger - latch dog, outer rail and carriage block.....	2
40	35A3696	Spring - latch dog, outer rail and carriage block.....	2
41	35A7349	Tube - vent, curved, 1/4" and 3/8" O.D. ....	1
42	-----	Hose - vent tube, see chart on page 74.....	1
		50A3573 - Clamp, hose, 7/16".....	2
43	35A7307	Elbow - vent hose, 90°, 1/4"-18" N.P.T. ....	1
44	35A7070	Strap - vent hose.....	2
		GM133073 - Screw, rd. hd., 1/4"-20 x 2-1/2".....	2
45	35A1464	Spacer - vent hose.....	2



MSB SERIES FORK LIFT TRUCKS

Ref. No.	Part No.	DESCRIPTION	No. Pcs.
DUPLIX LIFT CYLINDER			
1	35A7887	Cylinder - lift, complete, 34-7/8" long .....	1
1	35A7895	Cylinder - lift, complete, 39-7/8" long .....	1
1	35A7900	Cylinder - lift, complete, 43-3/8" long .....	1
		Each includes the following 41 parts:	
2	35P1455	Shell - for 34-7/8" cylinder .....	1
2	35P1456	Shell - for 39-7/8" cylinder .....	1
2	35P1457	Shell - for 43-3/8" cylinder .....	1
3	35P833	Screw - button head, cylinder shell .....	1
4	35P832	*Seal - button head screw .....	1
5	35P1199	Tube - intermediate, for 34-7/8" cylinder .....	1
5	35P1200	Tube - intermediate, for 39-7/8" cylinder .....	1
5	35P1201	Tube - intermediate, for 43-3/8" cylinder .....	1
6	35P1202	Plunger - for 34-7/8" cylinder .....	1
6	35P1203	Plunger - for 39-7/8" cylinder .....	1
6	35P1204	Plunger - for 43-3/8" cylinder .....	1
7	35P183	*Ring - wiper, intermediate tube .....	1
8	35P182	*Spring - garter, wiper ring .....	1
9	35P1207	Retainer - wiper ring .....	1
10	10A7846	*"O" Ring - retainer, 3-3/4" I.D., 4" O.D. ....	1
11	35P1208	Bushing - intermediate tube .....	1
12	35P1209	*"O" Ring - intermediate tube bushing, 3-3/8" I.D., 3-5/8" O.D. ....	1
13	35P1210	*Ring - back-up, "O" ring .....	1
14	35P1211	*Packing - tube bushing .....	1
15	35P1212	*Ring - wiper, plunger .....	1
16	35P1206	*Spring - garter, wiper ring .....	1
17	35P1213	Retainer - plunger wiper ring .....	1
18	35P174	*"O" Ring - wiper retainer, 2-1/2" I.D., 2-3/4" O.D. ....	1
19	35P1214	Piston .....	1
20	35P1215	*Packing - piston .....	1
21	10A7956	*"O" Ring - piston, inner, 1-1/2" I.D., 1-3/4" O.D. ....	1
22	35P1216	*Ring - back-up, "O" ring .....	1
23	35P1217	Ring - snap, piston retainer .....	1
24	35P1218	Bearing - intermediate tube .....	1
25	35P1219	Ring - bearing retainer .....	1
26	35P1220	Ring - snap, bearing .....	1
27	35P1458	Head - cylinder .....	1
28	35P1222	*"O" Ring - cylinder head, 3-7/8" I.D., 4-1/8" O.D. ....	1
29	35P1459	*Ring - back-up, head "O" ring .....	1
29A	35P1460	*Ring - cylinder head, nylon, upper .....	1
	35R70	*Repair Kit - lift cylinder .....	-
		*NOTE: Repair Kit consists of the above items identified by an asterisk.	
30	35P1461	Nut - lock, cylinder head .....	1
31	35A4209	Spacer - intermediate tube, 1/4" x 3-3/8" O.D., for 34-7/8" and 39-7/8" cylinders .....	1
31	35A3453	Spacer - intermediate tube, 1" x 3-3/8" O.D. for 34-7/8" cylinder .....	1
32	35A4100	Spacer - plunger, 1/4" x 2-3/8" O.D., for 34-7/8" and 39-7/8" cylinder .....	1
32	35A4098	Spacer - plunger, 1" x 2-3/8" O.D., for 34-7/8" cylinder .....	1
33	35A7913	Spring - oil restrictor .....	1
34	35A7795	Washer - perforated, oil restrictor .....	1
35	35A7792	Spacer - oil restrictor .....	1
36	35A7793	Hat - sleeve .....	1
37	35P1226	Rod - end, cylinder top, 3-1/8" long .....	1
	35P1227	Lock Washer - rod .....	1



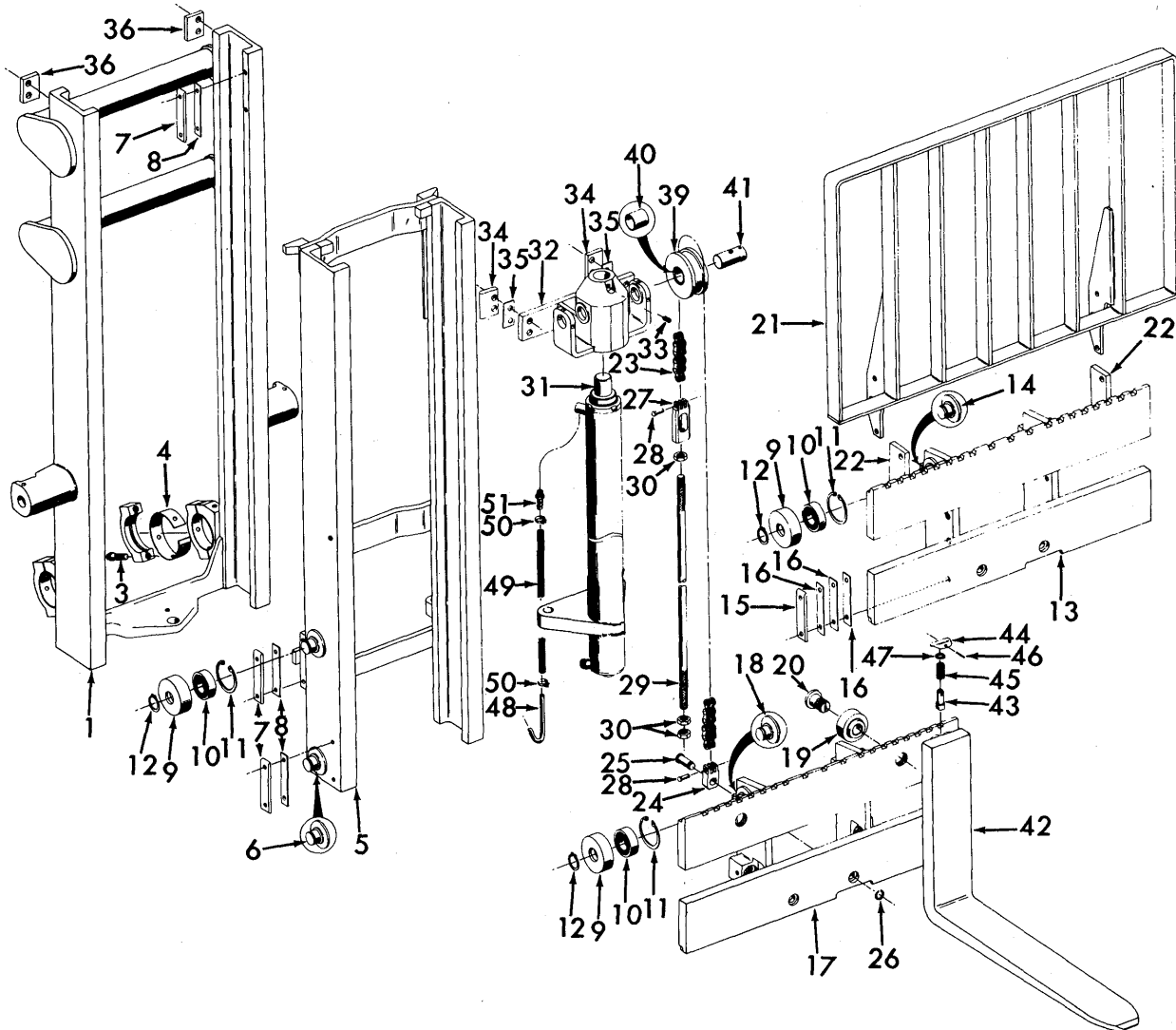


MSB SERIES FORK LIFT TRUCKS

Ref. No.	Part No.	DESCRIPTION	No. Pcs.
		SIMPLEX MAST For MSB 20-25 Lift Trucks Group I	
1	-----	Rail - outer assembly, see chart on page 75.....	1
		Includes the following part:	
		50A4629 Fitting - grease, 1/8" straight.....	2
3	35A 6790	Screw - bearing cap, 12 pt., with nylon pellet, 1/2"-13 x 2-1/2".....	4
4	35A 4046	Bushing - bearing cap.....	2
5	-----	Rail - inner assembly, see chart on page 75.....	1
		Includes the following part:	
6	35A 3686	Pin - rail.....	6
7	35A 3692	Shoe - mast.....	6
		50A1676 Screw - hex. socket, 3/8"-16 x 5/8".....	12
8	35A 9812	Shim - mast shoe, .010.....	A.R.
8	35A 3693	Shim - mast shoe, .030.....	A.R.
9	35A 3691	Roller - mast and carriage.....	10
10	35A 3687	Bearing - mast and carriage roller.....	10
11		50A1677 Ring - snap, mast and carriage bearings, 2-13/16" I.D. ....	10
12		50A578 Ring - snap, mast and carriage bearings, 1-3/8" I.D. ....	10
13	-----	Carriage - with wear plates, order from White Mobilift Sales Dept. ....	1
		Includes the following 4 parts:	
14	35A 3686	Pin - carriage.....	4
15	35A 3692	Shoe - carriage.....	4
		50A1676 Screw - hex. socket, 3/8"-16 x 5/8".....	8
16	35A 3693	Shim - shoe, .031 thick.....	A.R.
16	35A 9812	Shim - shoe, .010 thick.....	A.R.
17	-----	Carriage - assembly, with side thrust rollers, Order from White Mobilift Sales Dept. ....	1
		Includes the following 3 parts:	
18	35A 3686	Pin - carriage.....	4
19	35A 622	Bearing - thrust, carriage.....	4
20	35A 5459	Pin - thrust bearing.....	4
		50A4135 Set Screw - cup point, socket head, 3/8"-16 x 1/2".....	2
21	-----	Rack - load safety, Order from White Mobilift Sales Dept. ....	1
		50A2749 Bolt - flat head, 5/8"-11 x 1-1/2".....	6
22	35A 6791	Bracket - mounting, load rack to carriage.....	2
23	-----	Chain - 3 x 4 lacing, see chart on page 75 for length of chain.....	2
24	35A 8510	Anchor - chain, on carriage, 2-1/2" long.....	2
25	35A 3700	Pin - chain anchor, 5/8" x 1-3/4".....	2
26		50A1976 Ring - retainer, anchor pin.....	2
27	35A 8509	Anchor - chain, 4-1/4" long.....	2
28	35A 4082	Pin - chain anchor, 15/64" O.D. x 1-9/16" long.....	4
		50A1705 Ring - retainer, chain pin.....	8
29	-----	Rod - chain anchor, see chart on page 75.....	2
30		50A4873 Nut - hex. jam, 5/8"-18.....	6
31	-----	Cylinder - lift, see chart on page 75.....	1
		50A3670 Bolt - hex., 3/8"-16 x 2".....	1
		50A3742 Nut - hex. jam, 3/8"-16.....	1
32	36A 10500	Head - piston.....	1
33		50A4135 Set Screw - cup point, 3/8"-16 x 1/2".....	1
34	35A 3694	Guide - piston head.....	2
		50A3680 Bolt - hex., 1/2"-13 x 1-1/4".....	4
36	35A 10297	Block - stop, outer rail, 5/8" x 2-1/2" x 3".....	2
		50A3680 Bolt - hex., 1/2"-13 x 1-1/4".....	4
39	35B 9570	Sheave - chain, 4-3/8" dia. ....	2
		Includes the following part:	
40	10A 7745	Bushing - sheave.....	2
41	35B 9571	Pin - sheave.....	2
		50A2867 Pin - roll, 5/32" x 5/8".....	2
		50A5531 Fitting - grease, 1/4"-28 straight.....	2

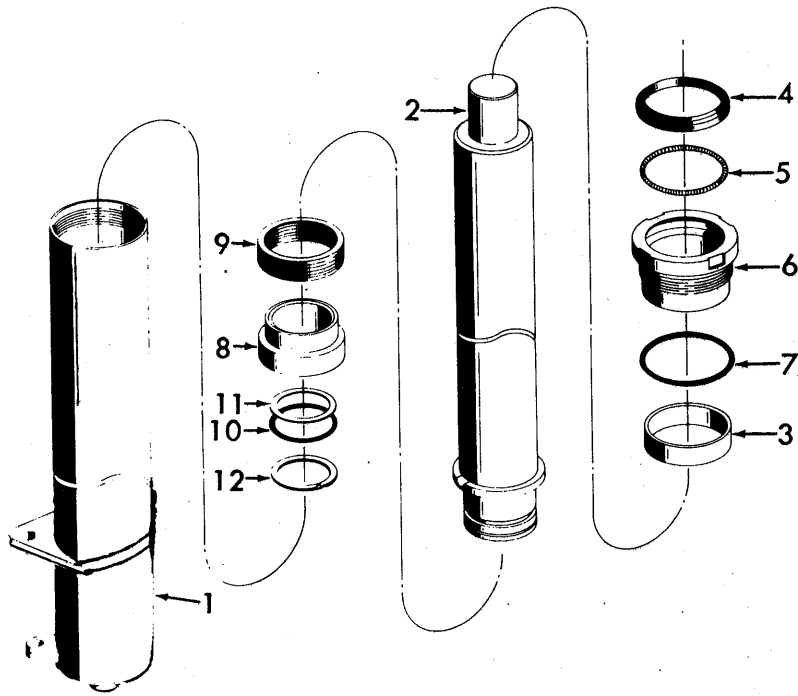
MSB SERIES FORK LIFT TRUCKS

Ref. No.	Part No.	DESCRIPTION	No. Pcs.
		SIMPLEX MAST (Cont'd) For MSB 20-25 Lift Trucks Group I	
42	-----	Fork - lifting, Order from White Mobilift Sales Dept. ....	2
		Includes the following 4 parts:	
43	35A 668	Pin - fork stop, 2-1/16" long .....	2
44	35A 669	Lever - stop pin .....	2
45	35A 667	Spring - stop pin .....	2
46		50A2832 Pin - roll, 3/16" x 1" .....	2
47	35A 4097	Washer - fork lock, 1/16" x 21/32" I.D., 7/8" O.D. ....	2
48	35A 9202	Tube - vent, 3/8" O.D. ....	1
49	-----	Hose - vent tube, see chart on page 75 .....	1
50		50A4305 Clamp - hose, 5/8" .....	2
51		50A1156 Fitting - hose, 1/4"-18 .....	1
	36A 9959	Clamp - vent hose .....	3



MSB SERIES FORK LIFT TRUCKS

Ref. No.	Part No.	DESCRIPTION	No. Pcs.
		Simplex Lift Cylinder Group II 3" Diameter, for MSB 20-25 Lift Truck	
	-----	*Cylinder - lift, complete.....	1
		Includes the following 9 parts:	
1	-----	*Shell - cylinder, outer, 3" O.D. ....	1
2	-----	*Plunger - cylinder, 2" O.D. ....	1
3	-----	*Spacer - cylinder.....	A.R.
		*NOTE: Order above parts by M F H and O A H L	
4	35P1212	**Ring - wiper, plunger .....	1
5	35P1206	**Spring - garter, wiper ring.....	1
6	35P1213	Retainer - plunger wiper ring.....	1
7	35P174	**"O" Ring - retainer, 2-1/2" I.D., 2-3/4" O.D. ....	1
8	35P1214	Piston.....	1
9	35P1215	**Packing - piston.....	1
10	10A7956	**"O" Ring - piston, inner, 1-1/2" I.D., 1-3/4" O.D. ....	1
11	35P2646	**Ring - back-up, "O" ring.....	1
12	35P1217	**Ring - snap, piston retainer .....	1
	35R118	**Kit - cylinder.....	1
		**NOTE: Kit consists of the above items identified by (**) asterisks.	



MSB SERIES FORK LIFT TRUCKS

VARIABLE PARTS CHART FOR DUPLEX MAST

Outer Rail	Inner Rail	Cylinder Assy.	Chain Assy. - BL534	Chain Anchor Rod	Vent Hose	Mast	
						M.F.H.	O.A.H.L.
36A 4210 - 60-1/2"	36A 4240 - 60-1/2"	35A 7882 - 32-3/8"	35A 8519 - 201 lks.	35A 4321 - 12"	35A 7328 - 19"	91"	63-1/2"
36A 4211 - 62"	36A 4241 - 62"	35A 7883 - 32-3/8"	35A 8519 - 201 lks.	35A 4322 - 15"	35A 7328 - 19"	94"	65"
36A 4212 - 63-1/2"	36A 4242 - 63-1/2"	35A 7884 - 32-3/8"	35A 8519 - 201 lks.	35A 4324 - 18"	35A 7328 - 19"	97"	66-1/2"
36A 4213 - 65"	36A 4243 - 65"	35A 7885 - 32-3/8"	35A 8519 - 201 lks.	35A 4326 - 21"	35A 7328 - 19"	100"	68"
36A 4214 - 66-1/2"	36A 4244 - 66-1/2"	35A 7886 - 34-7/8"	35A 8519 - 201 lks.	35A 4328 - 24"	35A 7329 - 21-1/2"	103"	69-1/2"
36A 4215 - 68"	36A 4245 - 68"	35A 7887 - 34-7/8"	35A 8520 - 225 lks.	35A 4321 - 12"	35A 7329 - 21-1/2"	106"	71"
36A 4216 - 69-1/2"	36A 4246 - 69-1/2"	35A 7888 - 34-7/8"	35A 8520 - 225 lks.	35A 4322 - 15"	35A 7329 - 21-1/2"	109"	72-1/2"
36A 4217 - 71"	36A 4247 - 71"	35A 7889 - 37-3/8"	35A 8520 - 225 lks.	35A 4324 - 18"	35A 7330 - 24"	112"	74"
36A 4218 - 72-1/2"	36A 4248 - 72-1/2"	35A 7890 - 37-3/8"	35A 8520 - 225 lks.	35A 4326 - 21"	35A 7330 - 24"	115"	75-1/2"
36A 4219 - 74"	36A 4249 - 74"	35A 7891 - 37-3/8"	35A 8520 - 225 lks.	35A 4328 - 24"	35A 7330 - 24"	118"	77"
36A 4220 - 75-1/2"	36A 4250 - 75-1/2"	35A 7892 - 37-3/8"	35A 8521 - 249 lks.	35A 4321 - 12"	35A 7330 - 24"	121"	78-1/2"
36A 4221 - 77"	36A 4251 - 77"	35A 7893 - 39-7/8"	35A 8521 - 249 lks.	35A 4322 - 15"	35A 7331 - 26-1/2"	124"	80"
36A 4222 - 78-1/2"	36A 4252 - 78-1/2"	35A 7894 - 39-7/8"	35A 8521 - 249 lks.	35A 4324 - 18"	35A 7331 - 26-1/2"	127"	81-1/2"
36A 4223 - 80"	36A 4253 - 80"	35A 7895 - 39-7/8"	35A 8521 - 249 lks.	35A 4326 - 21"	35A 7331 - 26-1/2"	130"	83"
36A 4224 - 81-1/2"	36A 4254 - 81-1/2"	35A 7896 - 43-3/8"	35A 8521 - 249 lks.	35A 4329 - 24"	35A 7332 - 30"	133"	84-1/2"
36A 4225 - 83"	36A 4255 - 83"	35A 7897 - 43-3/8"	35A 8522 - 273 lks.	35A 4321 - 12"	35A 7332 - 30"	136"	86"
36A 4226 - 84-1/2"	36A 4256 - 84-1/2"	35A 7898 - 43-3/8"	35A 8522 - 273 lks.	35A 4322 - 15"	35A 7332 - 30"	139"	87-1/2"
36A 4227 - 86"	36A 4257 - 86"	35A 7899 - 43-3/8"	35A 8522 - 273 lks.	35A 4324 - 18"	35A 7332 - 30"	142"	89"
36A 4228 - 87-1/2"	36A 4258 - 87-1/2"	35A 7900 - 43-3/8"	35A 8522 - 273 lks.	35A 4326 - 21"	35A 7332 - 30"	145"	90-1/2"
36A 4229 - 89-1/2"	36A 4259 - 89-1/2"	35A 7901 - 46-3/8"	35A 8522 - 273 lks.	35A 4329 - 25"	35A 7333 - 33"	148"	92-1/2"
36A 4230 - 91"	36A 4260 - 91"	35A 7902 - 46-3/8"	35A 8522 - 273 lks.	35A 4330 - 28"	35A 7333 - 33"	151"	94"
36A 4231 - 92-1/2"	36A 4261 - 92-1/2"	35A 7903 - 46-3/8"	35A 8522 - 273 lks.	35A 4331 - 31"	35A 7333 - 33"	154"	95-1/2"
36A 4232 - 94"	36A 4262 - 94"	35A 7904 - 46-3/8"	35A 8522 - 273 lks.	35A 4332 - 35"	35A 7333 - 33"	157"	97"
36A 4233 - 95-1/2"	36A 4263 - 95-1/2"	35A 7905 - 49-3/8"	35A 8523 - 313 lks.	35A 4321 - 12"	35A 7334 - 36"	160"	98-1/2"
36A 4234 - 97-1/2"	36A 4264 - 97-1/2"	35A 7906 - 49-3/8"	35A 8523 - 313 lks.	35A 4323 - 16"	35A 7334 - 36"	163"	100-1/2"
36A 4235 - 99"	36A 4265 - 99"	35A 7907 - 49-3/8"	35A 8523 - 313 lks.	35A 4325 - 19"	35A 7334 - 36"	166"	102"
36A 4236 - 100-1/2"	36A 4266 - 100-1/2"	35A 7908 - 49-3/8"	35A 8524 - 329 lks.	35A 4321 - 12"	35A 7334 - 36"	169"	103-1/2"
36A 4237 - 102"	36A 4267 - 102"	35A 7909 - 52-3/8"	35A 8524 - 329 lks.	35A 4322 - 15"	35A 7335 - 37-1/2"	172"	105"
36A 4238 - 103-1/2"	36A 4268 - 103-1/2"	35A 7910 - 52-3/8"	35A 8524 - 329 lks.	35A 4324 - 18"	35A 7335 - 37-1/2"	175"	106-1/2"
36A 4239 - 105-1/2"	36A 4269 - 105-1/2"	35A 7911 - 52-3/8"	35A 8524 - 329 lks.	35A 4327 - 22"	35A 7335 - 37-1/2"	178"	108-1/2"

NOTE: For breakdown of lift cylinder see page 68.

NOTE: Order replacement parts on Forks, Extension Forks, Carriages and Safety Racks from White Mobilift Sales Department.

MSB SERIES FORK LIFT TRUCKS

VARIABLE PARTS CHART FOR SIMPLEX MAST

Outer Rail	Inner Rail	Cylinder Assy.	Chain Assy. - BL-534			Chain Anchor Rod	Vent Hose	Mast	
			Pitches	Length				M.F.H.	O.A.H.L.
36A 9573	36A 9620	35A 9767	35A 9712	75	46-7/8"	35A 9647 - 31-1/2"	35A 4342 - 26-1/2"	67"	51-1/2"
36A 9574	36A 9621	35A 9768	35A 9713	81	50-5/8"	35A 9647 - 31-1/2"	35A 4342 - 26-1/2"	70"	53"
36A 9575	36A 9622	35A 9769	35A 9714	85	53-1/8"	35A 9647 - 31-1/2"	35A 4343 - 30"	73"	54-1/2"
36A 9576	36A 9623	35A 9770	35A 9715	91	56-7/8"	35A 9647 - 31-1/2"	35A 4343 - 30"	76"	56"
36A 9577	36A 9624	35A 9771	35A 9716	95	59-3/8"	35A 9647 - 31-1/2"	35A 4344 - 33"	79"	57-1/2"
36A 9578	36A 9625	35A 9772	35A 9717	99	61-7/8"	35A 9647 - 31-1/2"	35A 4344 - 33"	82"	59"
36A 9579	36A 9626	35A 9773	35A 9718	105	65-5/8"	35A 9647 - 31-1/2"	35A 2776 - 36"	85"	60-1/2"
36A 9580	36A 9627	35A 9774	35A 9719	109	68-1/8"	35A 9647 - 31-1/2"	35A 2776 - 36"	88"	62"
36A 9581	36A 9628	35A 9775	35A 9720	115	71-7/8"	35A 9647 - 31-1/2"	35A 2777 - 37-1/2"	91"	63-1/2"
36A 9582	36A 9629	35A 9776	35A 9721	119	74-3/8"	35A 9647 - 31-1/2"	35A 2778 - 39"	94"	65"
36A 9583	36A 9630	35A 9777	35A 9717	99	61-7/8"	35A 9648 - 46-1/2"	35A 2779 - 40-1/2"	97"	66-1/2"
36A 9584	36A 9631	35A 9778	35A 9718	105	65-5/8"	35A 9648 - 46-1/2"	35A 2780 - 42"	100"	68"
36A 9585	36A 9632	35A 9779	35A 9719	109	68-1/8"	35A 9648 - 46-1/2"	35A 2781 - 43-1/2"	103"	69-1/2"
36A 9586	36A 9633	35A 9780	35A 9720	115	71-7/8"	35A 9648 - 46-1/2"	35A 2782 - 45"	106"	71"
36A 9587	36A 9634	35A 9781	35A 9721	119	74-3/8"	35A 9648 - 46-1/2"	35A 2783 - 46-1/2"	109"	72-1/2"
36A 9588	36A 9635	35A 9782	35A 9722	123	76-7/8"	35A 9648 - 46-1/2"	35A 2784 - 48"	112"	74"
36A 9589	36A 9636	35A 9783	35A 9723	129	80-5/8"	35A 9648 - 46-1/2"	35A 2785 - 49-1/2"	115"	75-1/2"
36A 9590	36A 9637	35A 9784	35A 9724	133	83-1/8"	35A 9648 - 46-1/2"	35A 2786 - 51"	118"	77"
36A 9591	36A 9638	35A 9785	35A 9725	139	86-7/8"	35A 9648 - 46-1/2"	35A 2787 - 52-1/2"	121"	78-1/2"
36A 9592	36A 9639	35A 9786	35A 9726	143	89-3/8"	35A 9648 - 46-1/2"	35A 2788 - 54"	124"	80"
36A 9593	36A 9640	35A 9787	35A 9722	123	76-7/8"	35A 9649 - 61-1/2"	35A 2789 - 55-1/2"	127"	81-1/2"
36A 9594	36A 9641	35A 9788	35A 9723	129	80-5/8"	35A 9649 - 61-1/2"	35A 2790 - 57"	130"	83"
36A 9595	36A 9642	35A 9789	35A 9724	133	83-1/8"	35A 9649 - 61-1/2"	35A 2791 - 58-1/2"	133"	84-1/2"
36A 9596	36A 9643	35A 9790	35A 9725	139	86-7/8"	35A 9649 - 61-1/2"	35A 2792 - 60"	136"	86"
36A 9597	36A 9644	35A 9791	35A 9727	145	90-5/8"	35A 9649 - 61-1/2"	35A 2793 - 61-1/2"	139"	87-1/2"
36A 9598	36A 9645	35A 9792	35A 9728	149	93-1/8"	35A 9649 - 61-1/2"	35A 2794 - 63"	142"	89"
36A 9599	36A 9646	35A 9793	35A 9730	155	96-7/8"	35A 9649 - 61-1/2"	35A 2795 - 65"	145"	90-1/2"
36A 9600	36A 9647	35A 9794	35A 9731	159	99-3/8"	35A 9649 - 61-1/2"	35A 2796 - 66-1/2"	148"	92-1/2"
36A 9601	36A 9648	35A 9795	35A 9733	165	103-1/8"	35A 9649 - 61-1/2"	35A 2797 - 68"	151"	94"
36A 9602	36A 9649	35A 9796	35A 9735	171	106-7/8"	35A 9649 - 61-1/2"	35A 2798 - 69-1/2"	154"	95-1/2"
36A 9603	36A 9650	35A 9797	35A 9736	175	109-3/8"	35A 9649 - 61-1/2"	35A 2799 - 71"	157"	97"
36A 9604	36A 9651	35A 9798	35A 9729	153	95-5/8"	35A 9650 - 77-3/4"	35A 2800 - 73"	160"	98-1/2"
36A 9605	36A 9652	35A 9799	35A 9732	161	100-5/8"	35A 9650 - 77-3/4"	35A 2801 - 74-1/2"	163"	100-1/2"
36A 9606	36A 9653	35A 9800	35A 9733	165	103-1/8"	35A 9650 - 77-3/4"	35A 2802 - 76"	166"	102"
36A 9607	36A 9654	35A 9801	35A 9734	169	105-5/8"	35A 9650 - 77-3/4"	35A 2803 - 77-1/2"	169"	103-1/2"
36A 9608	36A 9655	35A 9802	35A 9736	175	109-3/8"	35A 9650 - 77-3/4"	35A 2804 - 79"	172"	105"
36A 9609	36A 9656	35A 9803	35A 9737	183	114-3/8"	35A 9650 - 77-3/4"	35A 2805 - 81"	175"	106-1/2"
36A 9610	36A 9657	35A 9804	35A 9738	187	116-7/8"	35A 9650 - 77-3/4"	35A 2805 - 81"	178"	108-1/2"

NOTE: For breakdown of lift cylinder see page 72.

NOTE: Order replacement parts on Forks, Extension Forks, Carriages and Safety Racks from White Mobilift Sales Department.

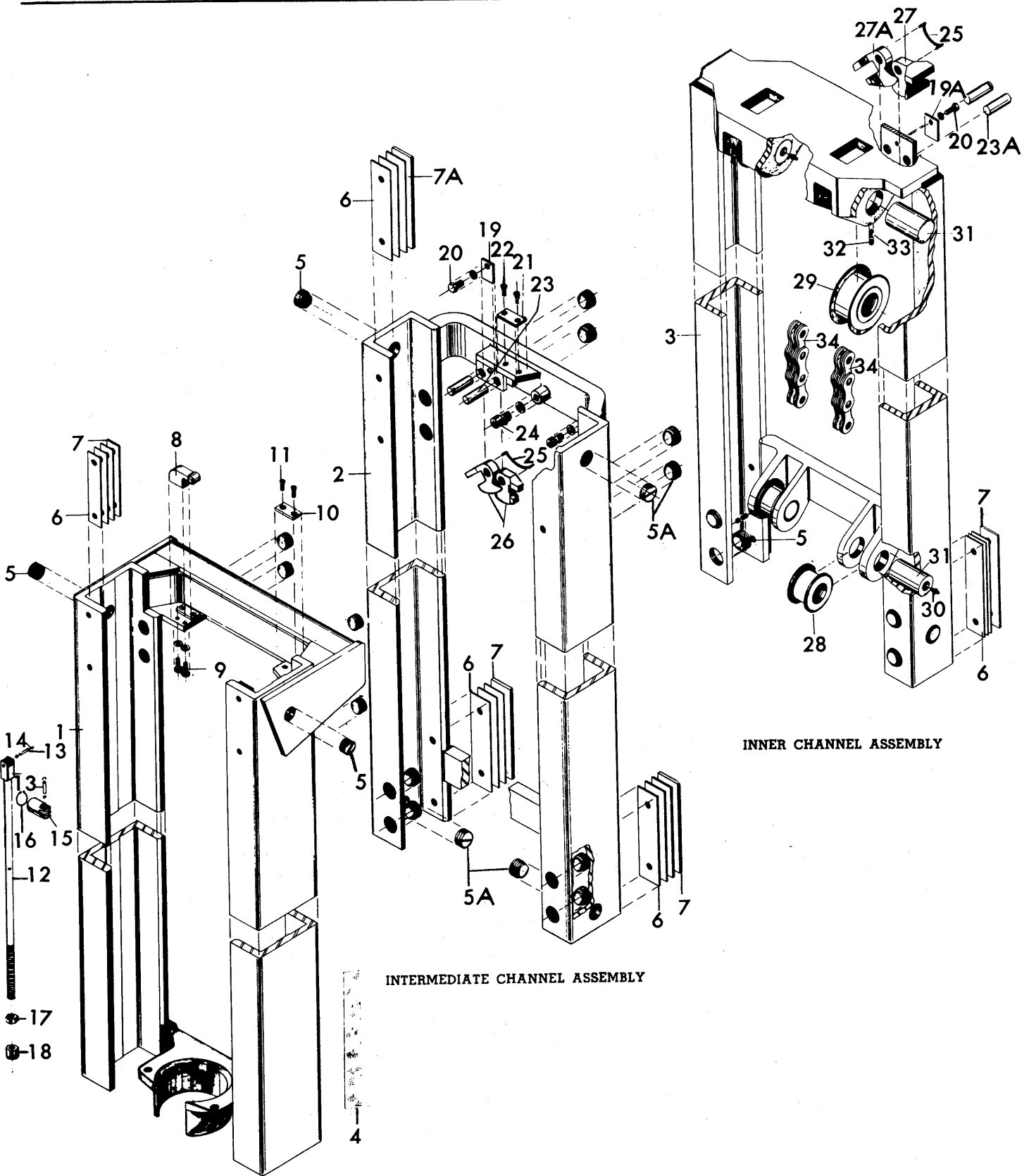
MSB SERIES FORK LIFT TRUCKS

Ref. No.	Part No.	DESCRIPTION	No. Pcs.
		UPRIGHT FOR TRIPLEX TRI-FREE LIFT (Cascade Viewmast) Group I - for MSB 20 and 25	
1	-----	*Channel - outer assembly .....	1
2	-----	*Channel - center assembly .....	1
3	-----	*Channel - inner assembly .....	1
		*NOTE: Order above parts by M.F.H. and O.A.H.L.	
4	35A4046	Bushing - channel mounting .....	2
		50A1268 - Screw, bearing cap, 5/8"-11 x 2-1/2".....	4
5	35P1838	Plug - channel, outer and inner.....	18
5A	35P2024	Plug - channel, center.....	12
6	35P1839	Shim - bearing .....	A.R.
7	35P1840	Bearing - channels, outer and inner .....	4
7A	35P2025	Bearing - channels, center .....	4
		Bolt - hex., 3/8"-24 x 1/2".....	16
8	35P1841	Trip.....	1
9	-----	Bolt - hex., 3/8"-24 x 1".....	2
10	35P1830	Pad .....	1
11	-----	Bolt - hex., 1/4"-28 x 3/8".....	2
12	35P2022	Rod - lift .....	2
13	35P1845	Pin - rod and anchor.....	4
14	35P1844	Retainer - pin .....	8
15	35P2023	Anchor - chain, outer channel.....	2
17		GM114498 - Nut, hex. jam, 5/8"-18.....	2
18		50A1011 - Nut, hex., (Nylock) 5/8"-18.....	2
19	35P1849	Keeper - pins, center channel.....	1
19A	35P2036	Keeper - pins, inner channel.....	1
20	-----	Bolt - hex., 3/8"-24 x 1/2".....	2
21	35P1830	Pad - center channel .....	1
22	-----	Bolt - hex., 1/4"-28 x 3/8".....	2
23	35P1850	Pin - latch, center channel .....	2
23A	35P2035	Pin - latch, inner channel .....	1
24	-----	Bolt - hex., socket, 1/2"-13 x 3/4".....	1
25	35P1851	Spring - latch, center channel.....	2
25A	35P2037	Spring - latch, inner channel.....	1
26	35P1852	Latch - lift, center channel .....	2
27	35P2038	Latch - lift, inner channel, L.H. ....	1
27A	35P2039	Latch - lift, inner channel, R.H. ....	1
28	35P2026	Sheave - chain, lower .....	2
29	35P2028	Sheave - chain, upper.....	2
30	-----	Fitting - grease, straight, 1/4"-28 .....	4
31	35P2027	Shaft - sheaves .....	4
32	-----	Screw - hex. socket, jam, 1/4"-20 .....	4
33	-----	Set Screw - hex. socket, 5/16"-24 x 5/8".....	4
34	-----	Chain - lift, see chart below, 5/8" pitch BL534.....	2

CHAIN FOR LIFT - 5/8" Pitch BL534

M.F.H.	O.A.H.L.	Chain Length	M.F.H.	O.A.H.L.	Chain Length
133"	70"	156-7/8"	161"	76"	181-7/8"
137"	70"	156-7/8"	165"	76"	181-7/8"
141"	70"	156-7/8"	169"	76"	181-7/8"
145"	70"	156-7/8"	169"	82"	193-1/8"
149"	70"	163-1/8"	173"	82"	199-3/8"
151"	70"	163-1/8"	177"	82"	199-3/8"
149"	76"	175-5/8"	181"	82"	199-3/8"
153"	76"	175-5/8"	185"	82"	205-5/8"
157"	76"	175-5/8"			





INNER CHANNEL ASSEMBLY

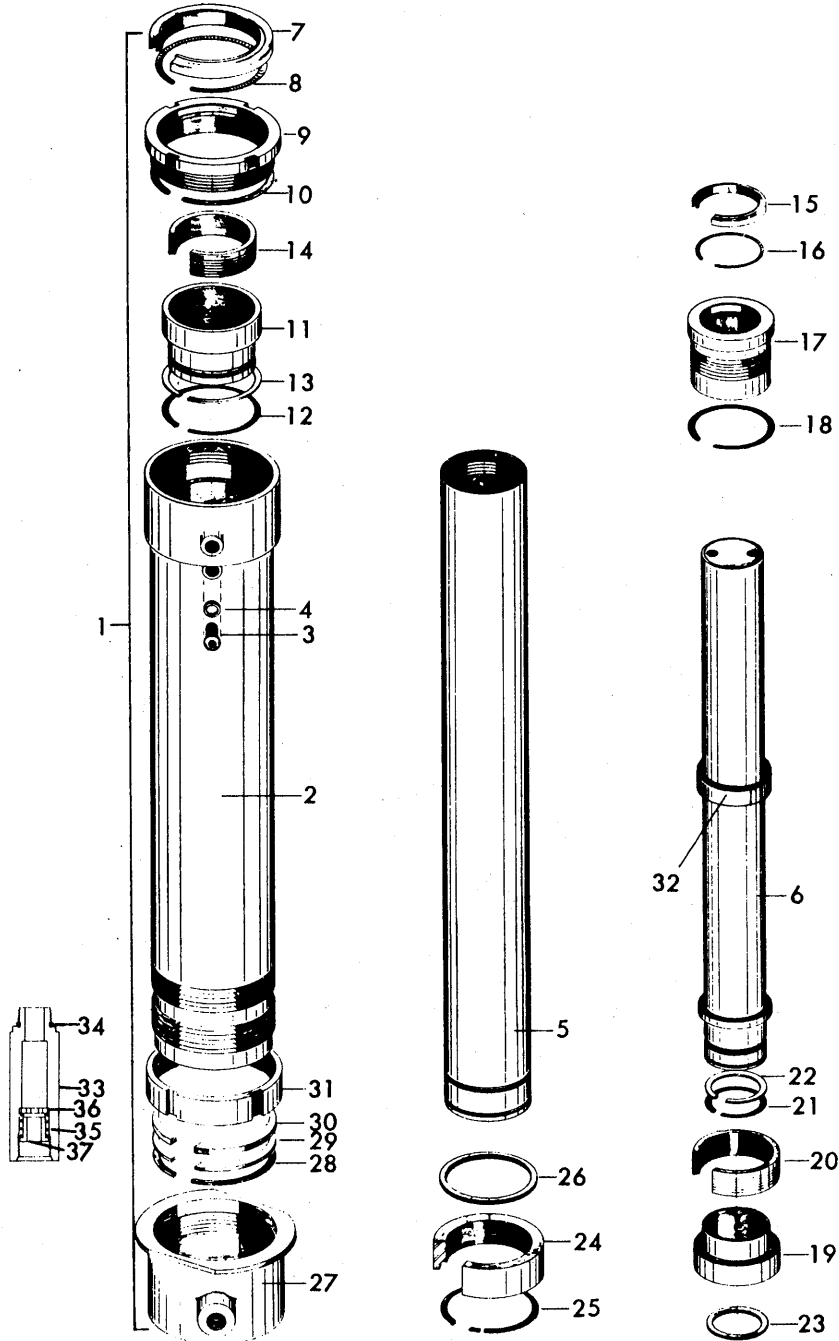
INTERMEDIATE CHANNEL ASSEMBLY

OUTER CHANNEL ASSEMBLY

MSB SERIES FORK LIFT TRUCKS

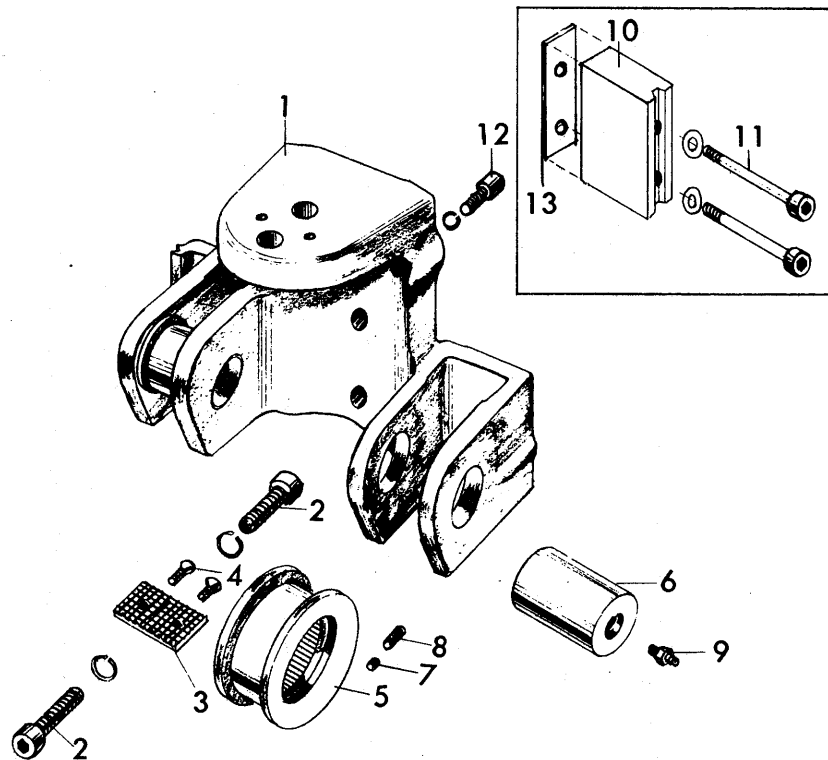
Ref. No.	Part No.	DESCRIPTION	No. Pcs.
<b>TRIPLEX TRI-FREE LIFT CYLINDER (Cascade Viewmast)</b> Group II 4" Diameter, for MSB 20 and 25			
1	-----	*Cylinder - assembly, complete ..... *NOTE: Order above part by M.F.H. and O.A.H.L. Each includes the following 37 parts:	1
2	35P1457	Shell - cylinder, outer, for 70" O.A.H.L. mast .....	1
2	35P2041	Shell - cylinder, outer, for 76" O.A.H.L. mast .....	1
2	35P2042	Shell - cylinder, outer, for 82" O.A.H.L. mast .....	1
3	35P833	Screw - button head, cylinder shell .....	1
4	35P832	**Seal - button head screw .....	1
5	35P1201	Tube - cylinder, intermediate, for 70" O.A.H.L. mast .....	1
5	35P2043	Tube - cylinder, intermediate, for 76" O.A.H.L. mast .....	1
5	35P2044	Tube - cylinder, intermediate, for 82" O.A.H.L. mast .....	1
6	35P2045	Plunger - cylinder, inner, for 70" O.A.H.L. mast .....	1
6	35P2046	Plunger - cylinder, inner, for 76" O.A.H.L. mast .....	1
6	35P2047	Plunger - cylinder, inner, for 82" O.A.H.L. mast .....	1
7	35P183	**Ring - wiper, intermediate tube .....	1
8	35P182	**Spring - garter, wiper ring .....	1
9	35P1207	Retainer - wiper ring .....	1
10	10A 7846	**"O" Ring - retainer .....	1
11	35P1208	Bushing - intermediate tube .....	1
12	35P1209	**"O" Ring - intermediate tube bushing .....	1
13	35P1210	**Ring - back-up, "O" ring .....	1
14	35P1215	**Packing - tube bushing .....	1
15	35P1212	**Ring - wiper, plunger .....	1
16	35P1206	**Spring - garter, plunger ring .....	1
17	35P1213	Retainer - plunger wiper ring .....	1
18	35P174	**"O" Ring - wiper retainer .....	1
19	35P1214	Piston .....	1
20	35P1211	**Packing - piston .....	1
21	10A 7956	**"O" Ring - piston, inner .....	1
22	35P1216	**Ring - back-up, "O" ring .....	1
23	35P1217	Ring - snap, piston retainer .....	1
24	35P1218	Bearing - intermediate tube .....	1
25	35P1219	Ring - bearing retainer .....	1
26	35P1220	Ring - snap, bearing .....	1
27	35P2040	Head - cylinder .....	1
28	35P1222	**"O" Ring - cylinder head, lower .....	1
29	35P1459	**Ring - back-up, head "O" ring .....	1
30	35P1460	**Ring - cylinder, head, upper .....	1
	35R70	Repair Kit - for cylinder .....	1
**NOTE: Repair Kit consists of the above items identified by a double asterisk (**).			
31	35P1461	Nut - lock, cylinder head .....	1
33	35P1836	Body - restrictor .....	1
34	10A 16285	"O" Ring - body .....	1
35	35A 4932	Spring - oil restrictor .....	1
36	35P1837	Washer - perforated, oil restrictor .....	1
37	35P148	Spacer - oil restrictor .....	1

MSB SERIES FORK LIFT TRUCKS



MSB SERIES FORK LIFT TRUCKS

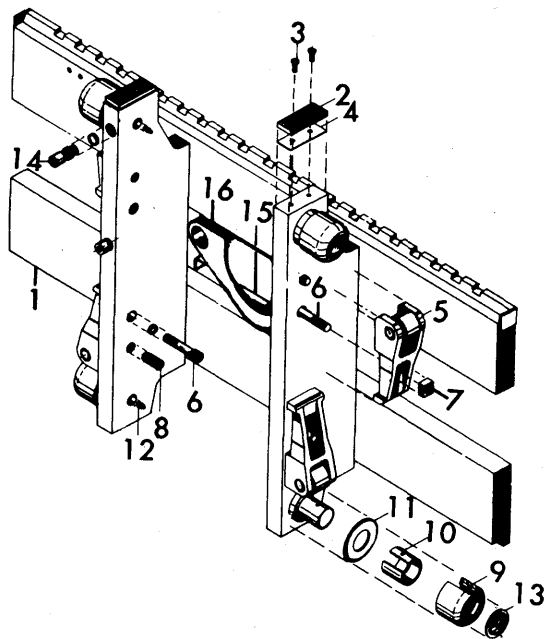
Ref. No.	Part No.	DESCRIPTION	No. Pcs.
<b>CROSS HEAD FOR UPRIGHT (Cascade Viewmast) Group III - for MSB 20 and 25</b>			
1	35P2049	Cross Head - upright .....	1
2	-----	Bolt - socket head, 1/4"-20 x 1-1/4".....	2
3	35P1830	Pad - head .....	1
4	-----	Bolt - flat head, hex. socket, 1/4"-28 x 1/2".....	2
5	35P2026	Sheave - cross head .....	2
6	35P2027	Shaft - sheave .....	2
7	-----	Socket Jam Screw - 1/4"-20 .....	2
8	-----	Set Screw - cup point, hex. socket, 1/4"-20 x 3/8".....	2
9	-----	Fitting - grease, straight, 1/4"-28 .....	2
10	35P2052	Shoe - head .....	2
11	-----	Bolt - hex. socket, 1/2"-13 x 3/4".....	2
12	-----	Bolt - hex. socket, 5/8"-11 x 1".....	2
13	35P2053	Shim - shoe .....	A.R.



<b>ADAPTING PARTS FOR TRIPLEX TRI-FREE LIFT (Cascade Viewmast) Group IV - for MSB 20 and 25</b>			
35A4046	Bushing - axle .....		2
	50A4629 - Fitting, grease, 1/8" straight .....		2
35A7349	Tube - vent, U-shaped, 1/4" O.D. x 3/8" O.D. tubing .....		1
35A7333	Hose - vent, 1/4" I.D. x 33" long .....		1
35A7307	Elbow - vent hose, 90°, 1/4"-18 N.P.T. ....		1
	50A3573 - Clamp, hose, 7/16".....		2

MSB SERIES FORK LIFT TRUCKS

Ref. No.	Part No.	DESCRIPTION	No. Pcs.
		<b>CARRIAGE FOR TRIPLEX TRI-FREE LIFT (Cascade Viewmast) Group V - for MSB 20 and 25</b>	
1	-----	Carriage - assembly, order from Mobilift Sales Department..... Includes the following parts:	1
2	35P2054	Wear Pad - carriage .....	2
3	-----	Bolt - hex. socket, flat head, 1/4"-28 x 1/2" .....	4
4	35P2055	Shim - wear pad .....	A.R.
5	35P1865	Roller - assembly, carriage guides .....	4
6	-----	Bolt - hex. socket, 1/2"-13 x 1-1/2".....	4
7	35P1866	Nut - bolt, roller support, 1/2"-13.....	4
8	-----	Screw - adjusting, roller assembly, half dog, nylock, 5/8"-11 x 1".....	4
9	35P1868	Roller - carriage .....	4
10	35P1867	Sleeve - roller .....	4
11	35P1854	Washer - roller, inner .....	4
12	-----	Fitting - grease, straight, 1/4"-28 .....	5
13	35P1869	Plug - roller, outer .....	4
14	35P1864	Screw - hex. socket, 5/16"-18 x 1".....	2
15	35P2056	Bar - yoke .....	1
16	35P2057	Yoke - carriage .....	1
	-----	Bolt - hex., 3/8"-24 x 2".....	2

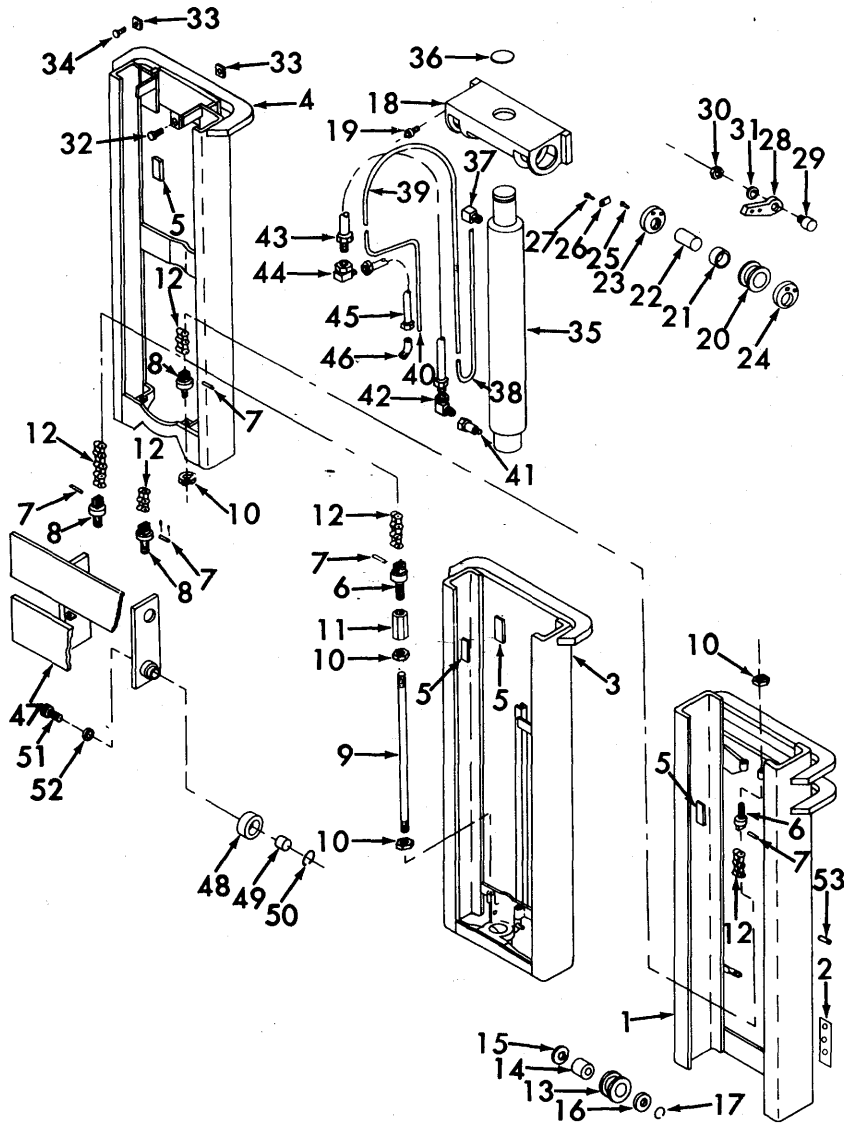


MSB SERIES FORK LIFT TRUCKS

Ref. No.	Part No.	DESCRIPTION	No. Pcs.	
		TRIPLEX MAST - LOW FREE (KNICKERBOCKER) 2500# AND 3000# GROUP I		
			2500#	3000#
1	35P2298	*Rail - outer assembly.....	1	1
		GM191758 Fitting - grease, 1-1/8" straight.....	3	3
		50A1169 Bolt - 12 pt., 1/2"-13 x 2-1/2".....	4	4
		GM120384 Washer - lock, 1/2".....	4	4
2	35A 4046	Bushing - axle.....	2	2
3	35P2299	*Rail - center assembly.....	1	1
4	35P2300	*Rail - inner assembly.....	1	1
5	35P1612	Pad - wear.....	32	32
6	35P1667	Anchor - chain, outer rail and turnbuckle.....	4	4
7	35P2301	Pin - chain anchors.....	8	8
		50A3818 Pin - cotter, 1/16" x 1/2".....	16	16
8	35P1657	Anchor - chain, inner rail.....	2	2
9	35P2302	*Rod - lift.....	2	2
10		----- Nut - hex., anchors and rods (Knickerbocker 15-190).....	8	8
11	35P2303	Turnbuckle - rod.....	2	2
12	35P2304	*Chain - lift, 5/8" pitch, No. BL534.....	4	4
13	35P1649	Roller - chain, lower, center rail.....	2	2
14	35P1651	Bearing - roller.....	2	2
15	35P1652	Washer - thrust, inner.....	2	2
16	35P2306	Washer - thrust, outer.....	2	2
17	35P1654	Ring - retainer, chain rollers.....	2	2
18	35P2312	Cross Head.....	1	1
19	35P2314	Fitting - grease, oiler, 1-1/4"-28 (Alemite G-1641).....	4	4
20	35P2309	Roller - chain, in cross head.....	2	2
21	35P1651	Bearing - roller.....	2	2
22	35P2308	Pin - roller.....	2	2
23	35P2307	Rocker - inner, cross head.....	2	2
24	35P2305	Rocker - outer, cross head.....	2	2
25		----- Fitting - grease, 1/4"-28 x 65°.....	2	2
26	35P651	Lock - rocker.....	2	2
27		----- Screw - lock, 5/16"-18 x 1/2".....	2	2
28	35P2310	Arm - rocker.....	2	2
29	35P2311	Roller - arm, cross head.....	2	2
30		50A4751 Nut - lock, roller, 1/2"-20.....	2	2
31		50A2707 Washer - lock.....	2	2
32		----- Screw - stop, inner rail, 1/2"-20 x 3/4", Allenhead.....	1	1
33	35P2315	Stop - rail.....	2	2
34		----- Screw - stop, flat head, 1/2"-20 x 1".....	2	2
35	35P2316	*Cylinder - lift, see breakdown on page 84.....	1	-
35	35P2347	*Cylinder - lift, see breakdown on page 84.....	-	1
36	35P2313	Ring - retainer, cylinder to cross head, (Spirolox RS-125).....	1	1
37	35P2317	Fitting - vent, cylinder.....	1	1
38	35P2318	*Tube - vent, cylinder end.....	1	1
39	35P2319	*Hose - vent, cylinder.....	1	1
40	35P2320	Tube - vent, truck end.....	1	1
41	35P2326	Adapter - cylinder feed.....	1	1
42	35P2321	Elbow - feed hose.....	1	1
43	35P2322	*Hose - assembly, with guard.....	1	1
		*NOTE: Order parts for lift by serial number of mast plus MFH & OAHL.		
44	35P2325	Elbow - truck end.....	1	1
45	35P2324	Tube - assembly.....	1	1
46	35P2323	Adapter - tube, truck end.....	1	1
47	-----	Carriage - mast.....	1	1
48	35P2329	Roller - carriage.....	4	4
49	35P2331	Ring - snap, carriage roller (Tru-Arc 5108-156).....	4	4
50	35P2330	Plug - carriage, side thrust.....	4	4
51	35P2327	Screw - adjusting, side thrust, carriage.....	4	4
52	35P2328	Nut - screw, insert, side thrust.....	4	4

MSB SERIES FORK LIFT TRUCKS

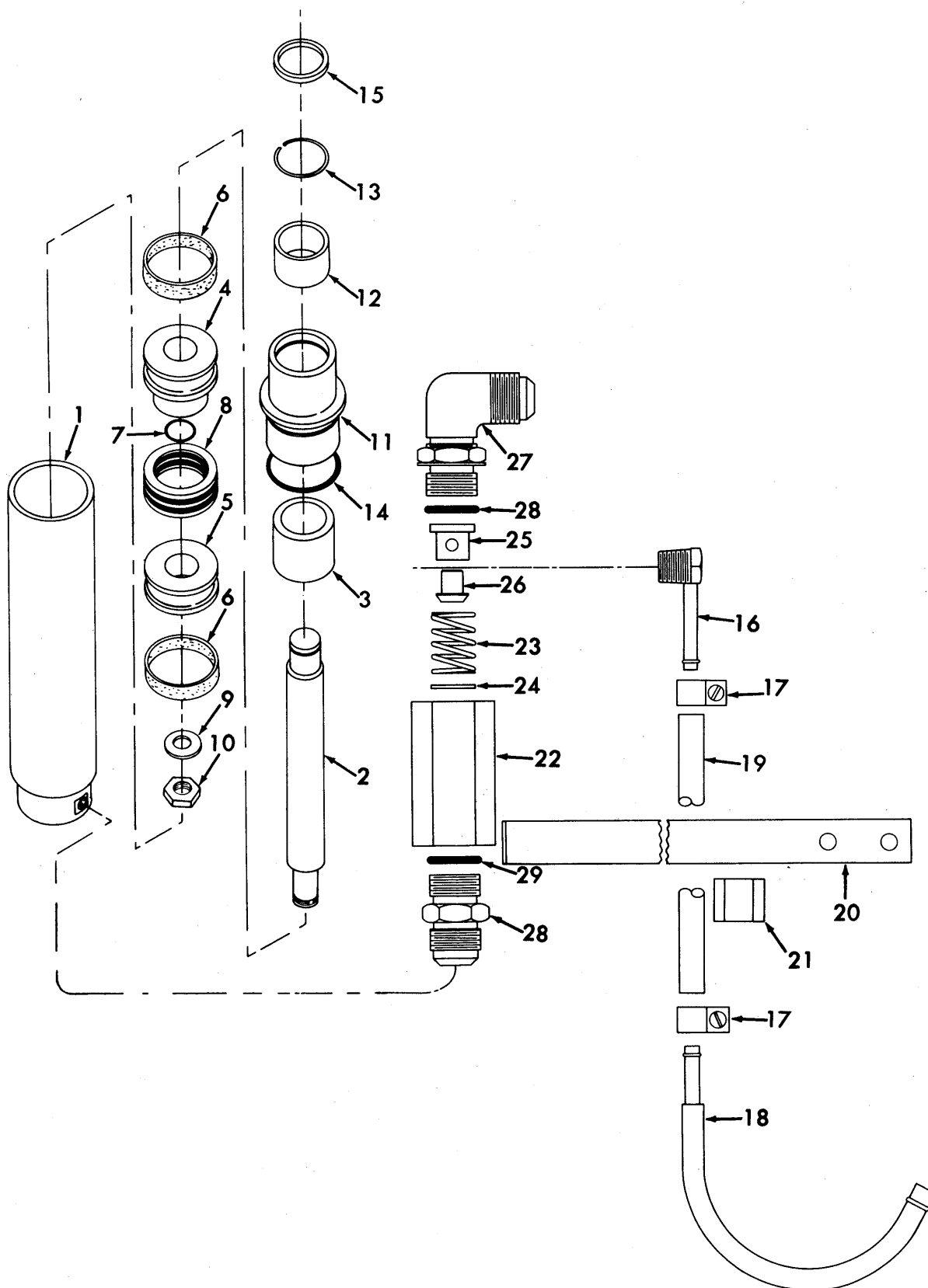
Ref. No.	Part No.	DESCRIPTION	No. Pcs.	
58	35A5301	TRIPLEX MAST - LOW FREE (KNICKERBOCKER) 2500# AND 3000# (Cont'd)	2500#	3000#
		Pin - tilt, cylinder ..... 50A2852 Pin - roll, 1/4" x 2-1/2" .....	2 2 2 2	



MSB SERIES FORK LIFT TRUCKS

Ref. No.	Part No.	DESCRIPTION	No. Pcs.	
		LIFT CYLINDER - LOW FREE (KNICKERBOCKER) 2500# AND 3000# Group II		
			2500#	3000#
	35P2316	*Cylinder - lift, assembly, 2500#	1	-
	35P2347	*Cylinder - lift, assembly, 3000# Includes the following 15 parts:	-	1
1	35P2344	*Cylinder - with hose, assembly	1	1
2	35P2336	*Rod - piston	1	1
3	35P2335	Spacer - rod	-	1
4	35P2338	Piston - rod, upper	1	1
5	35P2341	Piston - rod, lower	1	1
6	35P2337	Ring - wear, piston	2	2
7	35P2339	** "O" Ring - piston, 1/8" x 1-1/4" I.D., 1-1/2" O.D.	1	1
8	35P2340	** Packing - cylinder	1	1
9	35P2342	Washer - piston rod, 1-1/4" I.D., 2-3/4" O.D.	1	1
10	35P2343	Nut - piston rod, (Flexloc) 1"-14 thin	1	1
11	35P2334	Head - cylinder	1	1
12	35P2333	Bushing - head	1	1
13	35P2332	Ring - retainer, cylinder head	1	1
14	35P2345	** "O" Ring - head, 1/8" x 3-1/2" I.D., 3-3/4" O.D.	1	1
15	35P2346	** Wiper - head	1	1
	35P2403	** Packing Kit - cylinder (includes parts identified with double asterisks (**))	1	1
16	35A7307	Fitting - vent	1	1
17		50A3573 Clamp - hose	2	2
18	35A7349	Tube - vent	1	1
19	35A7334	Hose - vent, for 62" O AHL and 126" MFH, 1/4" I.D. x 36"	1	1
19	35A7380	Hose - vent, for 65" O AHL and 135" MFH, 1/4" I.D. x 39"	1	1
19	35A7381	Hose - vent, for 68" O AHL and 144" MFH, 1/4" I.D. x 42"	1	1
19	35A7382	Hose - vent, for 71" O AHL and 153" MFH, 1/4" I.D. x 45"	1	1
19	35A7383	Hose - vent, for 74" O AHL and 162" MFH, 1/4" I.D. x 48"	1	1
19	35A7384	Hose - vent, for 77" O AHL and 171" MFH, 1/4" I.D. x 51"	1	1
19	35A7385	Hose - vent, for 80" O AHL and 180" MFH, 1/4" I.D. x 54"	1	1
19	35A7386	Hose - vent, for 83" O AHL and 189" MFH, 1/4" I.D. x 57"	1	1
19	35A7387	Hose - vent, for 86" O AHL and 198" MFH, 1/4" I.D. x 60"	1	1
19	35A7388	Hose - vent, for 89" O AHL and 207" MFH, 1/4" I.D. x 63"	1	1
20	35A7070	Strap - vent hose	1	1
		GM133056 Screw - rd. hd., 1/4"-20 x 1-1/2"	1	1
		GM120375 Nut - hex., 1/4"-20	1	1
21	35A1464	Spacer - strap	1	1
22	35A8098	Body - restrictor	1	1
23	35A7913	Spring - oil restrictor	1	1
24	35A7795	Disc - oil restrictor	1	1
25	35A7792	Sleeve - oil restrictor	1	1
26	35A7793	Hot - oil restrictor	1	1
27		50A4425 Elbow - connecting, 90°	1	1
28		50A4428 Connector - restrictor, straight	1	1
29	10A16285	"O" Rings - fittings	2	2



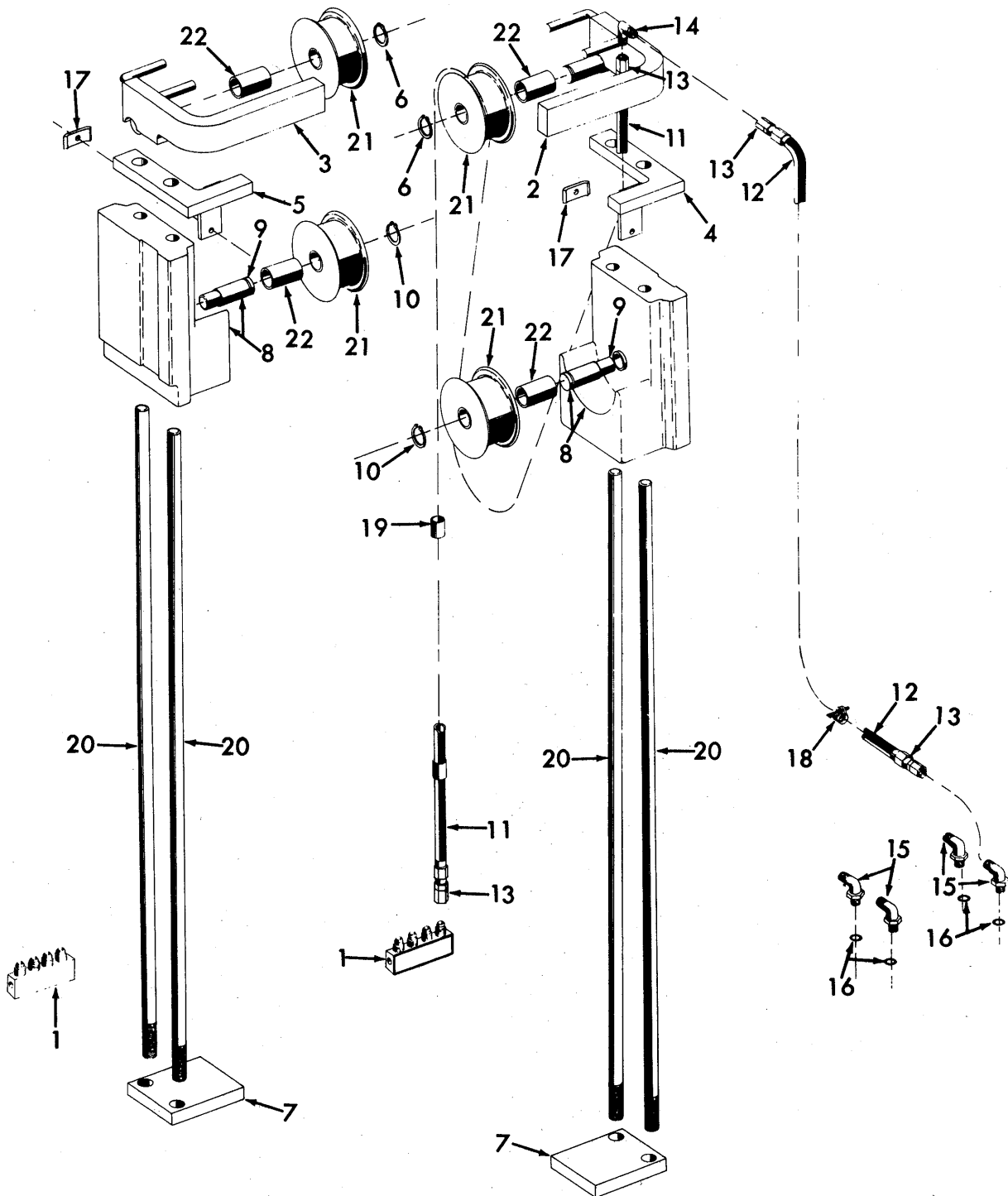


MSB SERIES FORK LIFT TRUCKS

Ref. No.	Part No.	DESCRIPTION	No. Pcs.	
			Single	Double
<b>SHEAVE TAKE-UP - FOR HOSES</b>				
1	36A8083	Junction Block - hoses .....	1	2
2	36A8080	Support - assembly, R.H. ....	-	1
3	36A8081	Support - assembly, L.H. ....	1	1
4	36A8093	Bracket - support, R.H. ....	-	1
5	36A8082	Bracket - support, L.H. ....	1	1
6	10A11140	Snap Ring - support pin .....	1	2
7	35A8088	Block - guide rod .....	1	2
8	35B8090	Block - sheave take-up .....	1	2
Includes the following part:				
9	35A8085	Pin - sheave, 1" x 3-1/8" .....	1	2
10	10A11140	Snap Ring - pin .....	1	2
11	-----	Hose - junction block to elbow, see chart on bottom of page .....	2	4
12	-----	Hose - elbow to auxiliary valve, see chart on bottom of page.....	2	4
	35P1640	Hose - 1' of 3/8" I.D., single braid hose .....	-	-
13		50A2620 - Fitting, hose ends .....	8	16
14		50A4859 - Elbow, hoses, upper ends, 90°.....	2	4
15		50A4423 - Elbow, hoses, to valve, 90°.....	2	4
16	10A16405	"O" Ring - elbow .....	2	4
17	35A8094	Clamp - hose, mounts to support .....	1	2
		50A3650 - Bolt, hex., 1/4"-20 x 1-1/2".....	1	2
		50A1898 - Nut, hex., 1/4"-20 .....	2	4
18	35A8049	Clamp - hose, mounts to front tilt cylinder hose .....	1	2
19	35A8304	Band - hoses, 3/4" I.D. x 1" long .....	30	60
20	-----	Rod - guide, see chart on bottom of page .....	-	-
		50A3747 - Nut, hex. jam, 3/4"-10 .....	4	8
21	35B8089	Sheave - block and support, 4-13/16" dia. ....	2	4
Includes the following part:				
22	35A8091	Bushing - sheave, 1" I.D. x 2" long .....	2	4

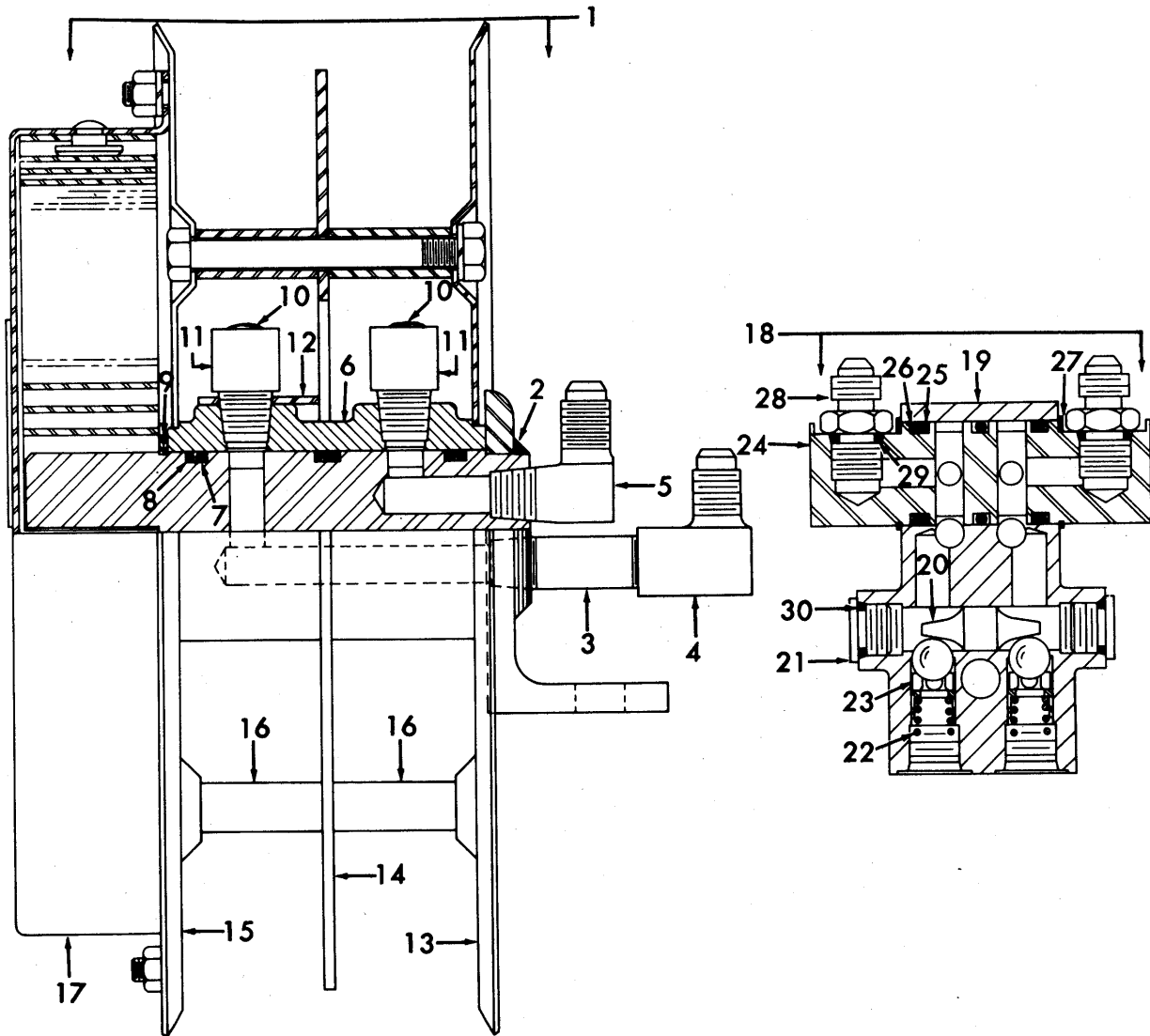
MFH	OAHL	Guide Rod	- Length	Hose Junction Block to Elbow	Hose Elbow to Aux. Valve
106"	71"	50A4837	43-3/4"	79"	72-1/2"
109"	72-1/2"	50A4838	45-1/4"	80-1/2"	74"
112"	74"	50A4840	46-3/4"	82"	75-1/2"
115"	75-1/2"	50A4842	48-1/4"	83-1/2"	77"
118"	77"	50A4844	49-3/4"	85"	78-1/2"
121"	78-1/2"	50A4846	51-1/4"	86-1/2"	80"
124"	80"	50A4849	52-3/4"	88"	81-1/2"
127"	81-1/2"	50A4852	54-1/4"	89-1/2"	83"
130"	83"	50A4839	46"	91"	84-1/2"
133"	84-1/2"	50A4840	46-3/4"	92-1/2"	86"
136"	86"	50A4841	47-1/2"	94"	87-1/2"
139"	87-1/2"	50A4842	48-1/4"	95-1/2"	89"
142"	89"	50A4843	49"	97"	90-1/2"
145"	90-1/2"	50A4844	49-3/4"	98-1/2"	92"
148"	92-1/2"	50A4845	51"	100-1/2"	93-1/2"
151"	94"	50A4847	51-3/4"	102"	95"
154"	95-1/2"	50A4848	52-1/2"	103-1/2"	96-1/2"
157"	97"	50A4850	53-1/4"	105"	98"
160"	98-1/2"	50A4851	54"	106-1/2"	99-1/2"
163"	100-1/2"	50A4853	55-1/4"	108-1/2"	101"
166"	102"	50A4854	56"	110"	102-1/2"
169"	103-1/2"	50A4855	56-3/4"	111-1/2"	104"
172"	105"	50A4856	57-1/2"	113"	105-1/2"
175"	106-1/2"	50A4857	58-1/4"	114-1/2"	107"
178"	108-1/2"	50A4858	60-1/4"	116-1/2"	108-1/2"

MSB SERIES FORK LIFT TRUCKS



MSB SERIES FORK LIFT TRUCKS

Ref. No.	Part No.	DESCRIPTION	No. Pcs.	
			Narrow Reel	Wide Reel
HOSE REELS				
1	35A1469	Reel - hose, left hand, 91" thru 207" (Duplex Mast) .....	1	-
1	35A 6833	Reel - hose, left hand, 91" thru 207" (Triplex Mast) .....	-	1
1	35A3244	Reel - hose, right hand, 91" thru 207" (Duplex Mast) .....	1	-
1	35A 6834	Reel - hose, right hand, 91" thru 207" (Triplex Mast) .....	-	1
Each includes the following 21 parts:				
		50A3679 - Bolt, hex., Zinc, 1/2"-13 x 1" .....	2	2
2	35P1175	Shaft - assembly, reel .....	1	-
2	35P1176	Shaft - assembly, reel .....	-	1
3	35P1173	Nipple - shaft, 2" .....	1	1
4	35P1172	Elbow - nipple, female .....	1	1
5	35P1174	Elbow - shaft, male end .....	1	1
6	35P1182	Hub - reel .....	1	-
6	35P1183	Hub - reel .....	-	1
7	10A 7956	"O" Ring - shaft .....	3	3
8	35P1031	Ring - back-up, "O" ring .....	4	4
9	35P1184	Snap Ring - hub .....	1	1
10	35P1097	Elbow - hub, 45° .....	2	2
11	35P1158	Elbow - hub, 90° .....	2	2
12	35P1162	Bar - reel .....	1	-
12	35P1171	Bar - reel .....	-	1
13	35P1177	Flange - reel, inner .....	1	1
14	35P1178	Divider - reel, center ring .....	1	1
15	35P1181	Flange - reel, outer .....	1	1
		50A1898 - Nut, hex., 1/4"-20 .....	4	4
		50A1922 - Bolt, hex., 5/16"-18 x 3-1/4" .....	6	-
		GM187953 - Bolt, hex., 5/16"-18 x 4-1/2" .....	-	6
		50A3730 - Nut, hex., 5/16"-18 .....	6	6
16	35P1179	Spacer - flanges, 1-5/16" long .....	11	-
16	35P1180	Spacer - flanges, 1-15/16" long .....	-	11
17	35P1185	Spring - assembly, with cover, R.H. ....	1	1
17	35P1186	Spring - assembly, with cover, L.H. ....	1	1
18	35A1482	Block - junction, hydraulic hoses .....	1	1
Includes the following 12 parts:				
		50A3668 - Bolt, hex., 3/8"-16 x 1-1/2".....	1	1
		50A4205 - Washer, plain, Zinc, 3/8".....	1	1
19	35P1190	Body - block .....	1	1
20	35P1191	Plunger - body .....	1	1
21	35P1192	Plug - body .....	2	2
		GM145645 - Ball, steel, 7/16".....	2	2
22	35P1193	Spring - ball .....	2	2
23	35P1194	Spacer - spring and ball .....	2	2
24	35P1069	Shaft - block .....	1	1
25	35P1189	"O" Ring - shaft .....	3	3
26	35P1188	Ring - back-up, "O" ring .....	2	2
27	35P1187	Snap Ring - shaft .....	2	2
28	35P1195	Connector - hose to shaft .....	2	2
29	10A 6319	"O" Ring - connector, 3/8" I.D. ....	2	2
30	10A8025	"O" Ring - plug body, 13/32" I.D. ....	2	2
		GM9410976 - Connector, tubes to valve .....	2	2
	35P1640	Hose - reels, 1-foot of hose, 3/8" I.D., order length as needed for lift .....	2	2
		50A2620 - Fitting, hose ends .....	8	8
	10A16405	"O" Ring - fittings to valve .....	2	2
		50A2417 - Clip, upright, 3/4" wide .....	2	2
		50A3666 - Bolt, hex., 3/8"-16 x 1" .....	2	2

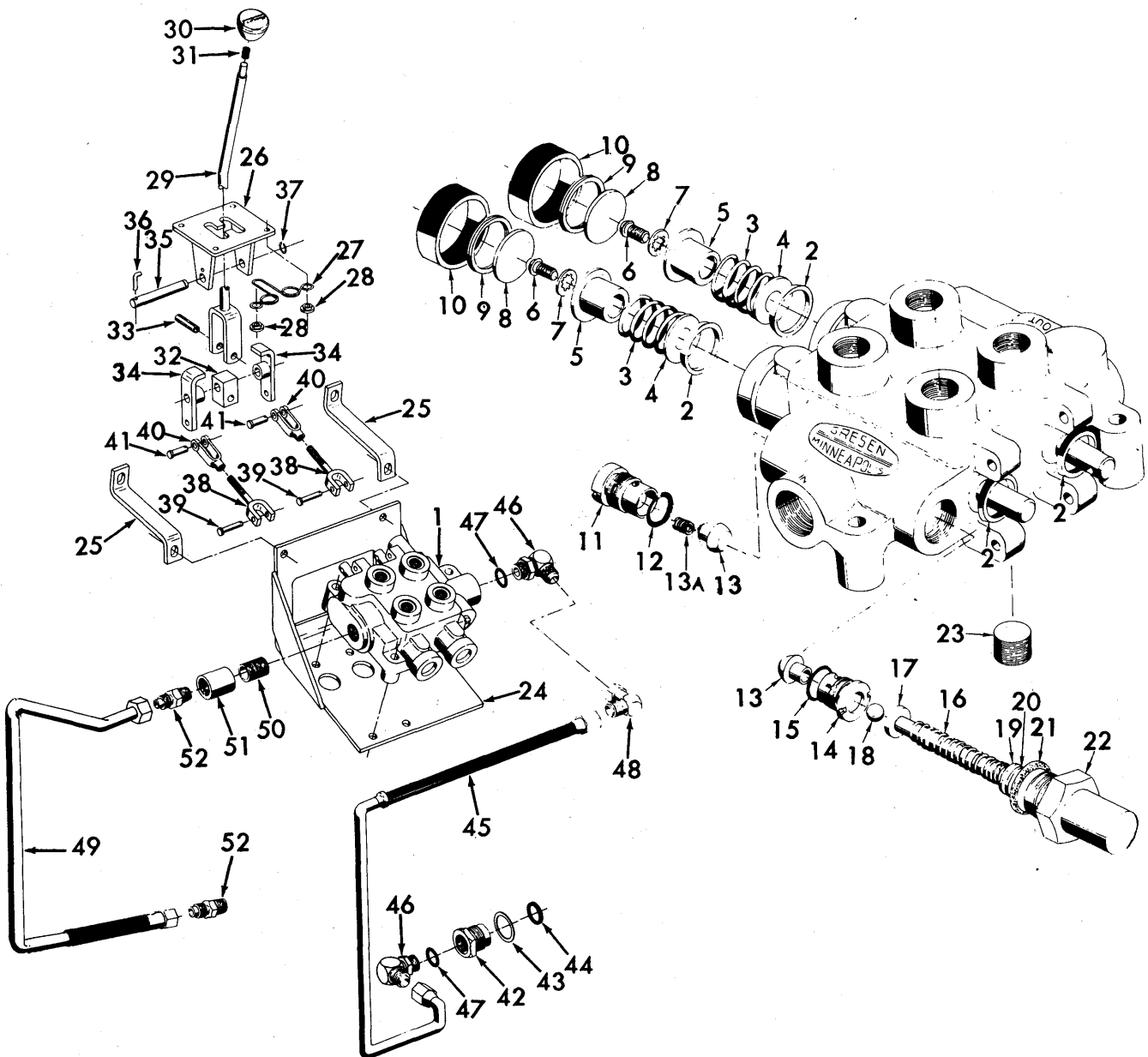


MSB SERIES FORK LIFT TRUCKS

Ref. No.	Part No.	DESCRIPTION	No. Pcs.	
		AUXILIARY VALVES	Single	Double
1	35A 6487	Valve - control, complete.....	1	-
1	35A 6488	Valve - control, complete.....	-	1
		Each includes the following 23 parts:		
		GM180134 - Bolt, hex., 3/8"-16 x 4-1/4".....	3	3
		GM120377 - Nut, hex., 3/8"-16.....	3	3
		GM120388 - Washer, plain, 7/16" I.D., 1" O.D. ....	3	3
2	15P660	Seal - spools, vee block type (early valves).....	2	4
2		50A1666 Seal - spools, quad ring style (late valves).....	-	4
3	15P656	Spring - spool centering.....	1	2
4	10P1652	Washer - stop, centering spring.....	1	2
5	15P654	Collar - stop, centering spring.....	1	2
6	15P652	Bolt - stop collar.....	1	2
7	10P1650	Washer - lock, stop collar bolt.....	1	2
8	15P655	Disc - stop collar.....	1	2
9	15P657	Ring - snap, stop disc.....	1	2
10	15P663	Bonnet - rubber, spool opening.....	1	2
11	35P215	Plug - ball check.....	1	1
12	10A 6329	"O" Ring - ball check plug.....	1	1
13	35P218	Plunger - check and relief valve.....	2	2
13A	20P4777	Spring - plunger, check valve.....	1	1
14	35P216	Seat - relief valve.....	1	1
15	10A 12012	"O" Ring - relief valve seat.....	1	1
16	35P227	Spring - relief.....	1	1
17	35P222	Guide - relief spring.....	1	1
18	35P213	Ball - relief guide.....	1	1
19	10A 16489	Washer - spacer, relief spring.....	1	1
20	10A 16490	Shim - relief spring.....	1	1
21	10A 16487	Gasket - relief spring cap.....	1	1
22	35P220	Cap - relief spring.....	1	1
23	35P1098	Plug - pipe.....	1	1
24	36A 6164	Bracket - mounting, auxiliary valve.....	1	1
		GM180122 - Bolt, hex., 3/8"-16 x 1".....	2	2
25	35A 6166	Brace - bracket.....	2	2
		GM180124 - Bolt, hex., 3/8"-16 x 1-1/4".....	4	4
		GM120377 - Nut, hex., 3/8"-16.....	6	6
		GM120394 - Washer, plain, 13/32" I.D., 13/16" O.D.....	4	4
26	36A 6185	Bracket - lever mounting.....	1	-
26	36A 6090	Bracket - lever mounting.....	-	1
		GM180022 - Bolt, hex., 1/4"-20 x 1".....	4	4
		GM120375 - Nut, hex., 1/4"-20.....	4	4
27	35A 7760	Spring - bracket.....	-	2
28	35A 6099	Step Washer - bolt.....	-	4
29	36A 8617	Lever - control.....	1	-
29	36A 8616	Lever - control.....	-	1
30	35A 8295	Knob - lever, solid.....	1	1
31		50A 4887 - Insert - knob.....	1	1
32	35A 6098	Bar - pivot.....	-	1
33		50A 2817 - Pin, roll, 3/8" x 2".....	-	1
34	36A 6094	Bell Crank - lever.....	-	2
35	35A 6096	Shaft - lever.....	1	1
36	35A 6097	Lock Pin - shaft.....	1	1
37		50A 1827 - Snap Ring, shaft (Tru-Arc 5133-50).....	1	1
38	36A 6184	Link - assembly, control lever to valve.....	1	2
39	15A 12318	Rivet - link, drilled, 1/4" x 1-1/2".....	1	2
		GM120393 - Washer, plain, 11/32" I.D., 11/16" O.D. ....	1	2
40		GM174887 - Clevis, short, 5/16"-24.....	1	2
		GM124920 - Nut, hex. jam, 5/16"-24.....	1	2
41		GM120690 - Pin, clevis, 5/16".....	1	2
		GM103373 - Pin, cotter, 3/32" x 3/4".....	2	4

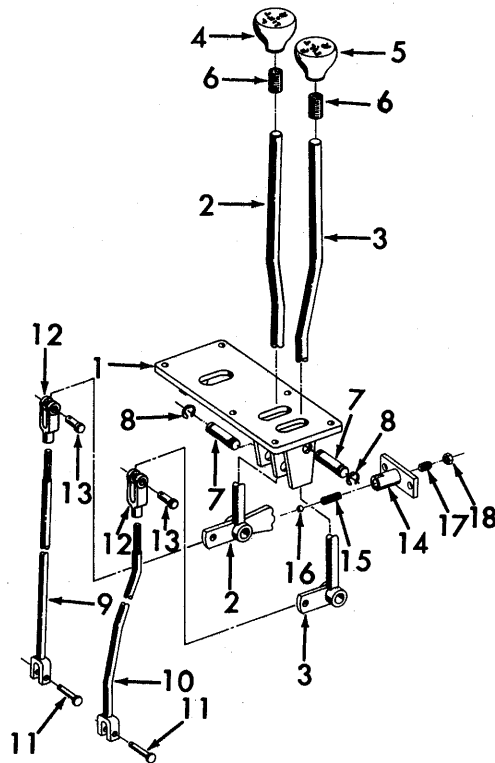
MSB SERIES FORK LIFT TRUCKS

Ref. No.	Part No.	DESCRIPTION	No. Pcs.	
			Single	Double
AUXILIARY VALVES (Cont'd)				
42	35A3120	Sleeve - power adapter, 7/16"-14 x 1-3/8".....	1	1
43	35A3117	Gasket - sleeve .....	1	1
44		50A1666 Quad Ring - sleeve.....	1	1
45	35A9927	Tube - control valve to auxiliary valve, 5/8" x 36-1/32".....	1	1
46		50A4425 Elbow - inlet, 7/8"-14 JIC x 90°.....	2	2
47	10A16285	"O" Ring - elbow.....	2	2
48		50A2763 Elbow - tube to inlet elbow, 5/8"-90°, 7/8"-14.....	1	1
49	35A9955	Hose and Tube - assembly, auxiliary valve to tank, 3/4" ID. x 30-13/16".....	1	1
50		50A4453 Nipple - close, 3/4" x 1-3/8".....	1	-
51		50A4579 Coupling - pipe, 3/4".....	1	-
52		50A4825 Connector - pipe, 3/4"-37° x 1-1/16 JIC.....	2	2



MSB SERIES FORK LIFT TRUCKS

Ref. No.	Part No.	DESCRIPTION	No. Pcs.
DUAL LEVER CONTROL - LIFT AND TILT			
1	36A8279	Plate - lever mounting .....	1
2	36A8280	Lever - lift, R.H. ....	1
3	36A8281	Lever - tilt, L.H. ....	1
4	35A8293	Knob - lift lever .....	1
5	35A8294	Knob - tilt lever .....	1
6		50A4887 - Insert, knob .....	2
7	35A8275	Shaft - levers .....	2
8		50A1827 - Snap Ring, shaft.....	4
9	36A8282	Link - connecting, lift rod .....	1
10	36A8283	Link - connecting, tilt rod .....	1
11	15A12318	Rivet - connecting link, clevis, 1/4" x 1-1/2".....	2
		GM120393 - Washer, plain, 11/32" I.D., 11/16" O.D. ....	2
		GM103373 - Pin, cotter, 3/32" x 3/4".....	2
12		GM174887 - Clevis, short, 5/16"-24 .....	2
		GM124920 - Nut, hex. jam, 5/16"-24 .....	2
13		GM120690 - Pin, clevis, 5/16" x 31/32" .....	2
		GM103373 - Pin, cotter, 3/32" x 3/4".....	2
14	36A8274	Bracket - detent, lifting lever .....	1
		50A3656 - Bolt, hex., 5/16"-18 x 1".....	2
		50A3730 - Nut, hex., 5/16"-18 .....	2
		50A4221 - Washer, plain, 3/8" I.D., 7/8" O.D. ....	2
15	35A8284	Spring - detent .....	1
16		50A5062 - Ball, detent spring, 11/32" Dia. ....	1
17		50A4790 - Screw, hex. socket, lock type, 3/8"-16 x 1/2".....	1
18		50A3742 - Nut, hex. jam, 3/8"-16 .....	1





## NUMERICAL INDEX

PART NO.	PAGE	PART NO.	PAGE	PART NO.	PAGE	PART NO.	PAGE
9055C	50	10A 6752	38	10P 2021	60	30A 1807	56
		10A 7051	52	10P 2027	60		
		10A 7052	52	10P 2339	28		
D 684	56	10A 7292	38	10P 2368	28	35A 178	32
D 1186	34	10A 7330	48	10P 2369	28	35A 284	46
		10A 7331	48	10P 2703	31	35A 331	38
		10A 7571	38	10P 2839	28	35A 332	38
E 613	44	10A 7607	52	10P 3067	60	35A 335	38
		10A 7745	70	10P 3074	60	35A 336	38
		10A 7846	78	10P 3077	60	35A 341	38
F 399	52	10A 7956	88			35A 353	40
F 444	52	10A 8025	88			35A 355	38
		10A 8409	52	14A 6105	24	35A 622	70
		10A 8521	44			35A 667	71
FT 2451	30	10A 8657	56			35A 668	71
		10A 9792	36	15A 1606L	44	35A 669	71
		10A 9808	42	15A 4702	38	35A 849	38
GM 102592	66	10A11140	86	15A 5346	34	35A 1068	29
		10A12012	90	15A 8627	38	35A 1249	42
		10A13028	66	15A12318	92	35A 1250	42
JT 1205	36	10A14362	48	15A12647	40	35A 1295	18
JT 9127	46	10A14363	48	15A12648	40	35A 1464	84
		10A15240	28	15A13163	64	35A 1469	88
		10A15639	38	15A15557	29	35A 1482	88
K 391	52	10A16285	91			35A 1765	31
		10A16405	88			35A 1847	50
		10A16487	90	15P 652	90	35A 2112	36
M 143	56	10A16489	90	15P 654	90	35A 2151	29
M 539	48	10A16490	90	15P 655	90	35A 2776	75
		10A16904	18	15P 656	90	35A 2777	75
		10A17157	48	15P 657	90	35A 2778	75
PA 2131	48	10A18229	31	15P 660	90	35A 2779	75
		10A19477	48	15P 663	90	35A 2780	75
		10A23146	28	15P 747	62	35A 2781	75
R 395	52	10A24261	62	15P 927	50	35A 2782	75
		10A24296	60	15P 928	50	35A 2783	75
		10A24659	60	15P 929	50	35A 2784	75
T 171	52	10A25890	62	15P 1013	17	35A 2785	75
				15P 1014	17	35A 2786	75
				15P 1015	17	35A 2787	75
TA 438	48	10P 715	50			35A 2788	75
		10P 1592	60			35A 2789	75
		10P 1595	60	20H 4567	54	35A 2790	75
10A 693	38	10P 1650	90			35A 2791	75
10A 735	48	10P 1652	90			35A 2792	75
10A 2640	35	10P 1701	29	20P 4777	90	35A 2793	75
10A 4729	64	10P 1702	29			35A 2794	75
10A 4732	38	10P 1872	18			35A 2795	75
10A 5914	30	10P 1873	18	30A 1541	32	35A 2796	75
10A 6319	88	10P 1874	18	30A 1567	48	35A 2797	75
10A 6329	90	10P 1966	60	30A 1681	66	35A 2798	75
10A 6330	42	10P 2014	60	30A 1701	35	35A 2799	75
10A 6718	38	10P 2015	60	30A 1770	40	35A 2800	75

NUMERICAL INDEX

PART NO.	PAGE	PART NO.	PAGE	PART NO.	PAGE	PART NO.	PAGE
35A 2801	75	35A 4107	52	35A 4438	60	35A 6260	30
35A 2802	75	35A 4109	52	35A 4439	60	35A 6261	30
35A 2803	75	35A 4110	52	35A 4440	60	35A 6298	44
35A 2804	75	35A 4111	52	35A 4445	44	35A 6299	44
35A 2805	75	35A 4122	52	35A 4446	44	35A 6302	44
35A 3009	29	35A 4123	52	35A 4447	44	35A 6304	44
35A 3117	91	35A 4124	52	35A 4448	44	35A 6305	44
35A 3119	58	35A 4128	38	35A 4462	36	35A 6312	32
35A 3120	91	35A 4130	40	35A 4463	36	35A 6313	32
35A 3244	88	35A 4131	38	35A 4466	54	35A 6327	44
35A 3302	28	35A 4133	38	35A 4770	31	35A 6359	32
35A 3303	28	35A 4136	36	35A 4791	48	35A 6400	44
35A 3453	68	35A 4138	36	35A 4794	48	35A 6484	58
35A 3580	48	35A 4142	38	35A 4819	46	35A 6487	90
35A 3581	48	35A 4143	38	35A 4820	46	35A 6488	90
35A 3582	48	35A 4144	40	35A 4827	46	35A 6694	62
35A 3583	48	35A 4145	60	35A 4830	46	35A 6709	56
35A 3584	48	35A 4146	40	35A 4837	46	35A 6713	56
35A 3585	48	35A 4148	40	35A 4932	78	35A 6714	56
35A 3592	48	35A 4161	38	35A 4949	42	35A 6725	29
35A 3593	48	35A 4167	32	35A 4950	42	35A 6779	40
35A 3594	48	35A 4207	66	35A 4961	34	35A 6785	38
35A 3596	48	35A 4209	68	35A 5001	58	35A 6790	70
35A 3602	52	35A 4321	74	35A 5002	58	35A 6791	70
35A 3603	52	35A 4322	74	35A 5033	34	35A 6833	88
35A 3607	40	35A 4323	74	35A 5119	48	35A 6834	88
35A 3609	40	35A 4324	74	35A 5120	48	35A 6986	66
35A 3613	38	35A 4325	74	35A 5121	48	35A 6987	66
35A 3614	40	35A 4326	74	35A 5122	48	35A 6988	66
35A 3617	40	35A 4327	74	35A 5177	42	35A 7070	84
35A 3621	38	35A 4328	74	35A 5301	83	35A 7087	58
35A 3623	38	35A 4329	74	35A 5459	70	35A 7121	42
35A 3686	70	35A 4330	74	35A 5533	18	35A 7122	42
35A 3687	70	35A 4331	74	35A 5732	46	35A 7124	58
35A 3691	70	35A 4332	74	35A 5844	44	35A 7127	42
35A 3692	70	35A 4333	66	35A 5903	62	35A 7128	42
35A 3693	70	35A 4340	58	35A 5904	62	35A 7129	42
35A 3694	70	35A 4342	75	35A 5926	54	35A 7167	42
35A 3696	67	35A 4343	75	35A 6069	56	35A 7168	42
35A 3697	67	35A 4344	75	35A 6070	56	35A 7170	42
35A 3698	67	35A 4384	40	35A 6072	56	35A 7171	42
35A 3700	70	35A 4385	40	35A 6096	90	35A 7172	42
35A 4046	82	35A 4394	44	35A 6097	90	35A 7173	42
35A 4079	66	35A 4395	44	35A 6098	90	35A 7178	28
35A 4082	70	35A 4406	46	35A 6099	90	35A 7179	28
35A 4084	67	35A 4407	46	35A 6107	50	35A 7183	38
35A 4097	71	35A 4412	36	35A 6123	31	35A 7236	64
35A 4098	68	35A 4422	38	35A 6126	42	35A 7243	54
35A 4100	68	35A 4423	44	35A 6159	18	35A 7250	46
35A 4101	48	35A 4424	36	35A 6166	90	35A 7295	50
35A 4102	48	35A 4425	36	35A 6198	54	35A 7296	50
35A 4103	48	35A 4435	36	35A 6254	48	35A 7298	50
35A 4104	48	35A 4436	36	35A 6256	48	35A 7307	84

## NUMERICAL INDEX

PART NO.	PAGE	PART NO.	PAGE	PART NO.	PAGE	PART NO.	PAGE
35A 7328	74	35A 7882	74	35A 8173	56	35A 9464	29
35A 7329	74	35A 7883	74	35A 8188	28	35A 9470	54
35A 7330	74	35A 7884	74	35A 8198	58	35A 9471	54
35A 7331	74	35A 7885	74	35A 8199	58	35A 9472	54
35A 7332	74	35A 7886	74	35A 8222	60	35A 9473	54
35A 7333	80	35A 7887	74	35A 8223	60	35A 9502	40
35A 7334	84	35A 78888	74	35A 8224	60	35A 9560	58
35A 7335	74	35A 7889	74	35A 8225	60	35A 9563	35
35A 7346	38	35A 7890	74	35A 8239	54	35A 9647	75
35A 7347	38	35A 7891	74	35A 8248	28	35A 9648	75
35A 7348	38	35A 7892	74	35A 8249	28	35A 9649	75
35A 7349	84	35A 7893	74	35A 8253	28	35A 9650	75
35A 7354	54	35A 7894	74	35A 8268	38	35A 9689	43
35A 7380	84	35A 7895	74	35A 8275	92	35A 9690	43
35A 7381	84	35A 7896	74	35A 8284	92	35A 9691	43
35A 7382	84	35A 7897	74	35A 8293	92	35A 9692	43
35A 7383	84	35A 7898	74	35A 8294	92	35A 9698	42
35A 7384	84	35A 7899	74	35A 8295	90	35A 9704	30
35A 7385	84	35A 7900	74	35A 8298	34	35A 9705	30
35A 7386	84	35A 7901	74	35A 8299	34	35A 9706	30
35A 7387	84	35A 7902	74	35A 8304	86	35A 9707	30
35A 7388	84	35A 7903	74	35A 8509	70	35A 9712	75
35A 7394	28	35A 7904	74	35A 8510	70	35A 9713	75
35A 7573	29	35A 7905	74	35A 8519	74	35A 9714	75
35A 7608	47	35A 7906	74	35A 8520	74	35A 9715	75
35A 7609	47	35A 7907	74	35A 8521	74	35A 9716	75
35A 7663	38	35A 7908	74	35A 8522	74	35A 9717	75
35A 7664	38	35A 7909	74	35A 8523	74	35A 9718	75
35A 7665	38	35A 7910	74	35A 8524	74	35A 9719	75
35A 7666	38	35A 7911	74	35A 8543	47	35A 9720	75
35A 7668	46	35A 7913	84	35A 8544	47	35A 9721	75
35A 7669	46	35A 8018	58	35A 8552	38	35A 9722	75
35A 7670	46	35A 8019	58	35A 8588	64	35A 9723	75
35A 7687	42	35A 8033	58	35A 8590	31	35A 9724	75
35A 7709	38	35A 8037	58	35A 8591	29	35A 9725	75
35A 7710	38	35A 8039	54	35A 8597	60	35A 9726	75
35A 7727	58	35A 8049	86	35A 8611	62	35A 9727	75
35A 7738	31	35A 8051	58	35A 8613	48	35A 9728	75
35A 7743	42	35A 8054	58	35A 8614	58	35A 9729	75
35A 7744	42	35A 8061	17	35A 8621	58	35A 9730	75
35A 7748	48	35A 8062	17	35A 8641	52	35A 9731	75
35A 7749	48	35A 8063	17	35A 8642	50	35A 9732	75
35A 7750	48	35A 8068	50	35A 8710	38	35A 9733	75
35A 7751	48	35A 8085	86	35A 8787	29	35A 9734	75
35A 7760	90	35A 8088	86	35A 8815	17	35A 9735	75
35A 7761	28	35A 8091	86	35A 8822	17	35A 9736	75
35A 7762	28	35A 8094	86	35A 8850	38	35A 9737	75
35A 7792	84	35A 8098	84	35A 8854	40	35A 9738	75
35A 7793	84	35A 8107	42	35A 9133	30	35A 9746	54
35A 7795	84	35A 8118	58	35A 9134	30	35A 9752	24
35A 7798	46	35A 8170	42	35A 9146	32	35A 9763	36
35A 7826	52	35A 8171	42	35A 9202	71	35A 9767	75
35A 7881	46	35A 8172	56	35A 9341	42	35A 9768	75

## NUMERICAL INDEX

PART NO.	PAGE	PART NO.	PAGE	PART NO.	PAGE	PART NO.	PAGE
35A 9769	75	35A 9877	24	35A10157	34	35P 222	90
35A 9770	75	35A 9880	56	35A10158	34	35P 225	62
35A 9771	75	35A 9881	24	35A10159	34	35P 227	90
35A 9772	75	35A 9882	38	35A10177	34	35P 284	60
35A 9773	75	35A 9883	44	35A10178	34	35P 292	60
35A 9774	75	35A 9884	44	35A10179	34	35P 293	60
35A 9775	75	35A 9886	18	35A10189	17	35P 297	60
35A 9776	75	35A 9887	18	35A10190	17	35P 467	32
35A 9777	75	35A 9889	54	35A10191	17	35P 468	32
35A 9778	75	35A 9890	54	35A10193	17	35P 469	32
35A 9779	75	35A 9891	54	35A10196	17	35P 508	34
35A 9780	75	35A 9894	54	35A10197	17	35P 514	34
35A 9781	75	35A 9897	9	35A10198	17	35P 515	35
35A 9782	75	35A 9898	9	35A10199	17	35P 516	34
35A 9783	75	35A 9899	9	35A10202	17	35P 517	35
35A 9784	75	35A 9901	9	35A10211	34	35P 519	34
35A 9785	75	35A 9902	26	35A10212	34	35P 525	35
35A 9786	75	35A 9903	24	35A10220	35	35P 651	82
35A 9787	75	35A 9906	9	35A10259	56	35P 821	64
35A 9788	75	35A 9909	9	35A10297	70	35P 832	78
35A 9789	75	35A 9910	9	35A10409	36	35P 833	78
35A 9790	75	35A 9911	9	35A10410	36	35P 880	24
35A 9791	75	35A 9912	58	35A10472	24	35P 1031	88
35A 9792	75	35A 9913	58	35A10486	28	35P 1034	62
35A 9793	75	35A 9914	58	35A10494	28	35P 1069	88
35A 9794	75	35A 9915	59	35A10495	30	35P 1072	64
35A 9795	75	35A 9919	59	35A10501	30	35P 1084	34
35A 9796	75	35A 9920	24			35P 1097	88
35A 9797	75	35A 9921	24			35P 1098	90
35A 9798	75	35A 9926	18	35B 7235	64	35P 1158	88
35A 9799	75	35A 9927	91	35B 8089	86	35P 1162	88
35A 9800	75	35A 9928	31	35B 8090	86	35P 1171	88
35A 9801	75	35A 9929	31	35B 9570	70	35P 1172	88
35A 9802	75	35A 9930	31	35B 9571	70	35P 1173	88
35A 9803	75	35A 9931	31	35B 9575	36	35P 1174	88
35A 9804	75	35A 9943	24			35P 1175	88
35A 9812	70	35A 9944	36			35P 1176	88
35A 9816	24	35A 9945	36	35P 55	32	35P 1177	88
35A 9817	24	35A 9946	36	35P 56	32	35P 1178	88
35A 9840	36	35A 9947	36	35P 57	32	35P 1179	88
35A 9843	28	35A 9948	24	35P 58	32	35P 1180	88
35A 9844	24	35A 9950	18	35P 59	32	35P 1181	88
35A 9855	28	35A 9951	36	35P 60	32	35P 1182	88
35A 9858	24	35A 9954	31	35P 135	64	35P 1183	88
35A 9864	50	35A 9955	91	35P 148	78	35P 1184	88
35A 9865	28	35A 9999	42	35P 174	78	35P 1185	88
35A 9866	43	35A10017	35	35P 182	78	35P 1186	88
35A 9868	28	35A10041	9	35P 183	78	35P 1187	88
35A 9869	18	35A10042	9	35P 213	90	35P 1188	88
35A 9871	18	35A10103	32	35P 215	90	35P 1189	88
35A 9872	28	35A10109	9	35P 216	90	35P 1190	88
35A 9873	18	35A10155	34	35P 218	90	35P 1191	88
35A 9874	18	35A10156	34	35P 220	90	35P 1192	88

NUMERICAL INDEX

PART NO.	PAGE	PART NO.	PAGE	PART NO.	PAGE	PART NO.	PAGE
35P 1193	88	35P 1309	34	35P 2037	76	35P 2319	82
35P 1194	88	35P 1455	68	35P 2038	76	35P 2320	82
35P 1195	88	35P 1456	68	35P 2039	76	35P 2321	82
35P 1199	68	35P 1457	78	35P 2040	78	35P 2322	82
35P 1200	68	35P 1458	68	35P 2041	78	35P 2323	82
35P 1201	78	35P 1459	78	35P 2042	78	35P 2324	82
35P 1202	68	35P 1460	78	35P 2043	78	35P 2325	82
35P 1203	68	35P 1461	78	35P 2044	78	35P 2326	82
35P 1204	68	35P 1605	34	35P 2045	78	35P 2327	82
35P 1206	78	35P 1608	34	35P 2046	78	35P 2328	82
35P 1207	78	35P 1612	82	35P 2047	78	35P 2329	82
35P 1208	78	35P 1640	88	35P 2049	80	35P 2330	82
35P 1209	78	35P 1649	82	35P 2050	60	35P 2331	82
35P 1210	78	35P 1651	82	35P 2051	60	35P 2332	84
35P 1211	78	35P 1652	82	35P 2052	80	35P 2333	84
35P 1212	78	35P 1654	82	35P 2053	80	35P 2334	84
35P 1213	78	35P 1657	82	35P 2054	81	35P 2335	84
35P 1214	78	35P 1667	82	35P 2055	81	35P 2336	84
35P 1215	78	35P 1692	46	35P 2056	81	35P 2337	84
35P 1216	78	35P 1693	46	35P 2057	81	35P 2338	84
35P 1217	78	35P 1755	36	35P 2058	60	35P 2339	84
35P 1218	78	35P 1756	36	35P 2059	60	35P 2340	84
35P 1219	78	35P 1769	35	35P 2060	60	35P 2341	84
35P 1220	78	35P 1774	34	35P 2061	60	35P 2342	84
35P 1222	78	35P 1830	80	35P 2062	60	35P 2343	84
35P 1226	68	35P 1836	78	35P 2063	60	35P 2344	84
35P 1227	68	35P 1837	78	35P 2064	60	35P 2345	84
35P 1248	62	35P 1838	76	35P 2065	60	35P 2346	84
35P 1249	64	35P 1839	76	35P 2255	34	35P 2347	84
35P 1250	64	35P 1840	76	35P 2256	34	35P 2348	9
35P 1251	64	35P 1841	76	35P 2296	9	35P 2349	9
35P 1252	64	35P 1844	76	35P 2297	9	35P 2350	9
35P 1253	64	35P 1845	76	35P 2298	82	35P 2351	6
35P 1254	64	35P 1849	76	35P 2299	82	35P 2352	12
35P 1255	64	35P 1850	76	35P 2300	82	35P 2353	12
35P 1256	64	35P 1851	76	35P 2301	82	35P 2354	6
35P 1257	64	35P 1852	76	35P 2302	82	35P 2355	14
35P 1258	64	35P 1854	81	35P 2303	82	35P 2356	14
35P 1259	64	35P 1864	81	35P 2304	82	35P 2357	14
35P 1260	64	35P 1865	81	35P 2305	82	35P 2359	20
35P 1270	46	35P 1866	81	35P 2306	82	35P 2360	31
35P 1271	46	35P 1867	81	35P 2307	82	35P 2361	31
35P 1272	46	35P 1868	81	35P 2308	82	35P 2362	14
35P 1273	46	35P 1869	81	35P 2309	82	35P 2363	14
35P 1274	46	35P 2022	76	35P 2310	82	35P 2364	9
35P 1275	46	35P 2023	76	35P 2311	82	35P 2365	14
35P 1276	46	35P 2024	76	35P 2312	82	35P 2366	14
35P 1277	46	35P 2025	76	35P 2313	82	35P 2367	28
35P 1278	46	35P 2026	80	35P 2314	82	35P 2368	28
35P 1279	46	35P 2027	80	35P 2315	82	35P 2369	28
35P 1287	60	35P 2028	76	35P 2316	84	35P 2370	36
35P 1294	60	35P 2035	76	35P 2317	82	35P 2371	18
35P 1295	60	35P 2036	76	35P 2318	82	35P 2372	24

## NUMERICAL INDEX

PART NO.	PAGE	PART NO.	PAGE	PART NO.	PAGE	PART NO.	PAGE
35P 2373	24	35P 2428	4	35P 2482	10	35P 2538	14
35P 2374	24	35P 2429	4	35P 2483	10	35P 2539	14
35P 2375	24	35P 2430	4	35P 2484	10	35P 2540	14
35P 2376	24	35P 2431	4	35P 2485	10	35P 2541	14
35P 2377	24	35P 2432	10	35P 2486	10	35P 2542	14
35P 2378	24	35P 2433	4	35P 2487	10	35P 2543	14
35P 2379	24	35P 2434	4	35P 2488	10	35P 2544	14
35P 2380	24	35P 2435	4	35P 2489	10	35P 2545	14
35P 2381	22	35P 2436	4	35P 2490	10	35P 2546	14
35P 2382	22	35P 2437	4	35P 2491	10	35P 2547	14
35P 2383	4	35P 2438	4	35P 2492	10	35P 2548	14
35P 2384	4	35P 2439	4	35P 2493	10	35P 2549	14
35P 2385	4	35P 2440	4	35P 2494	10	35P 2550	14
35P 2386	4	35P 2441	4	35P 2498	16	35P 2551	14
35P 2387	9	35P 2442	4	35P 2499	16	35P 2552	14
35P 2388	9	35P 2443	4	35P 2500	16	35P 2553	14
35P 2389	9	35P 2444	12	35P 2501	16	35P 2554	14
35P 2391	4	35P 2445	12	35P 2502	16	35P 2555	14
35P 2392	24	35P 2446	4	35P 2503	16	35P 2556	14
35P 2393	22	35P 2447	6	35P 2504	16	35P 2557	9
35P 2394	22	35P 2448	6	35P 2505	16	35P 2560	26
35P 2395	22	35P 2449	6	35P 2506	16	35P 2561	26
35P 2396	22	35P 2450	6	35P 2507	6	35P 2562	26
35P 2397	22	35P 2451	6	35P 2508	16	35P 2563	26
35P 2398	22	35P 2452	6	35P 2509	16	35P 2564	26
35P 2399	22	35P 2453	6	35P 2510	16	35P 2565	26
35P 2400	22	35P 2454	6	35P 2511	12	35P 2566	26
35P 2401	22	35P 2455	6	35P 2512	12	35P 2567	26
35P 2402	22	35P 2456	6	35P 2513	12	35P 2568	26
35P 2403	84	35P 2457	6	35P 2514	12	35P 2569	26
35P 2404	8	35P 2458	6	35P 2515	12	35P 2570	26
35P 2405	8	35P 2459	6	35P 2516	12	35P 2571	26
35P 2406	8	35P 2460	12	35P 2517	12	35P 2572	26
35P 2407	8	35P 2461	6	35P 2518	12	35P 2573	26
35P 2408	8	35P 2462	6	35P 2519	12	35P 2574	26
35P 2409	8	35P 2463	6	35P 2520	12	35P 2575	26
35P 2410	8	35P 2465	6	35P 2521	12	35P 2576	26
35P 2411	8	35P 2466	6	35P 2522	12	35P 2577	26
35P 2412	3	35P 2467	6	35P 2523	12	35P 2578	26
35P 2413	3	35P 2468	6	35P 2524	12	35P 2579	26
35P 2415	10	35P 2469	6	35P 2525	12	35P 2580	26
35P 2416	4	35P 2470	6	35P 2526	12	35P 2581	26
35P 2417	4	35P 2471	6	35P 2527	12	35P 2582	26
35P 2418	4	35P 2472	6	35P 2528	12	35P 2583	26
35P 2419	4	35P 2473	10	35P 2529	12	35P 2584	26
35P 2420	4	35P 2474	10	35P 2530	12	35P 2585	26
35P 2421	4	35P 2475	10	35P 2531	12	35P 2586	26
35P 2422	4	35P 2476	10	35P 2532	12	35P 2587	26
35P 2423	4	35P 2477	10	35P 2533	12	35P 2588	26
35P 2424	4	35P 2478	10	35P 2534	24	35P 2589	26
35P 2425	4	35P 2479	10	35P 2535	14	35P 2590	26
35P 2426	4	35P 2480	10	35P 2536	14	35P 2591	26
35P 2427	4	35P 2481	10	35P 2537	14	35P 2592	26

NUMERICAL INDEX

PART NO.	PAGE	PART NO.	PAGE	PART NO.	PAGE	PART NO.	PAGE
35P 2593	26	35R 54	38	36A 4245	74	36A 8080	86
35P 2594	26	35R 70	78	36A 4246	74	36A 8081	86
35P 2595	26	35R 86	44	36A 4247	74	36A 8082	86
35P 2596	26	35R 99	60	36A 4248	74	36A 8083	86
35P 2597	26	35R 113	64	36A 4249	74	36A 8093	86
35P 2598	26	35R 118	72	36A 4250	74	36A 8274	92
35P 2599	26			36A 4251	74	36A 8279	92
35P 2600	26			36A 4252	74	36A 8280	92
35P 2601	26	36A 3615	40	36A 4253	74	36A 8281	92
35P 2602	26	36A 3618	40	36A 4254	74	36A 8282	92
35P 2603	26	36A 3619	40	36A 4255	74	36A 8283	92
35P 2604	26	36A 3622	38	36A 4256	74	36A 8296	34
35P 2605	26	36A 3707	66	36A 4257	74	36A 8297	34
35P 2606	26	36A 3712	66	36A 4258	74	36A 8525	46
35P 2607	26	36A 4108	52	36A 4259	74	36A 8598	29
35P 2608	20	36A 4120	52	36A 4260	74	36A 8616	90
35P 2609	20	36A 4139	40	36A 4261	74	36A 8617	90
35P 2610	20	36A 4140	40	36A 4262	74	36A 8618	58
35P 2611	20	36A 4210	74	36A 4263	74	36A 8868	54
35P 2612	20	36A 4211	74	36A 4264	74	36A 8888	62
35P 2613	20	36A 4212	74	36A 4265	74	36A 8892	42
35P 2614	20	36A 4213	74	36A 4266	74	36A 8900	43
35P 2615	20	36A 4214	74	36A 4267	74	36A 8901	56
35P 2616	20	36A 4215	74	36A 4268	74	36A 8902	30
35P 2617	20	36A 4216	74	36A 4269	74	36A 8904	28
35P 2618	20	36A 4217	74	36A 4464	54	36A 9439	62
35P 2619	20	36A 4218	74	36A 4831	46	36A 9568	28
35P 2620	20	36A 4219	74	36A 5035	34	36A 9570	24
35P 2621	22	36A 4220	74	36A 6090	90	36A 9573	75
35P 2622	22	36A 4221	74	36A 6094	90	36A 9574	75
35P 2623	22	36A 4222	74	36A 6149	62	36A 9575	75
35P 2624	22	36A 4223	74	36A 6150	62	36A 9576	75
35P 2625	22	36A 4224	74	36A 6162	56	36A 9577	75
35P 2626	22	36A 4225	74	36A 6164	90	36A 9578	75
35P 2627	22	36A 4226	74	36A 6183	62	36A 9579	75
35P 2628	22	36A 4227	74	36A 6184	90	36A 9580	75
35P 2629	22	36A 4228	74	36A 6185	90	36A 9581	75
35P 2630	22	36A 4229	74	36A 6305	44	36A 9582	75
35P 2631	22	36A 4230	74	36A 6307	46	36A 9583	75
35P 2632	22	36A 4231	74	36A 6327	44	36A 9584	75
35P 2633	4	36A 4232	74	36A 6649	46	36A 9585	75
35P 2634	28	36A 4233	74	36A 6650	46	36A 9586	75
35P 2635	28	36A 4234	74	36A 6783	38	36A 9587	75
35P 2636	28	36A 4235	74	36A 7115	54	36A 9588	75
35P 2638	28	36A 4236	74	36A 7117	54	36A 9589	75
35P 2643	26	36A 4237	74	36A 7234	64	36A 9590	75
35P 2644	26	36A 4238	74	36A 7245	54	36A 9591	75
35P 2645	26	36A 4239	74	36A 7251	47	36A 9592	75
35P 2646	72	36A 4240	74	36A 7299	50	36A 9593	75
35P 2647	36	36A 4241	74	36A 7610	46	36A 9594	75
35P 2648	36	36A 4242	74	36A 7611	47	36A 9595	75
35P 2649	36	36A 4243	74	36A 7671	46	36A 9596	75
		36A 4244	74	36A 7672	46	36A 9597	75

## NUMERICAL INDEX

PART NO.	PAGE	PART NO.	PAGE	PART NO.	PAGE	PART NO.	PAGE
36A 9598	75	36A 9798	54	GM 145645	88	50A 1440	38
36A 9599	75	36A 9842	24	GM 172450	30	50A 1441	46
36A 9600	75	36A 9843	54	GM 173102	47	50A 1442	46
36A 9601	75	36A 9849	24	GM 174887	92	50A 1666	91
36A 9602	75	36A 9851	24	GM 177923	34	50A 1676	70
36A 9603	75	36A 9853	54	GM 180022	90	50A 1677	70
36A 9604	75	36A 9854	42	GM 180122	90	50A 1678	42
36A 9605	75	36A 9858	56	GM 180124	90	50A 1705	70
36A 9606	75	36A 9859	9	GM 180126	66	50A 1749	58
36A 9607	75	36A 9860	9	GM 180134	90	50A 1756	44
36A 9608	75	36A 9861	18	GM 180148	44	50A 1777	9
36A 9609	75	36A 9927	34	GM 180151	36	50A 1827	92
36A 9610	75	36A 9928	34	GM 180174	66	50A 1830	54
36A 9620	75	36A 9959	71	GM 180175	66	50A 1898	88
36A 9621	75	36A10500	70	GM 181004	46	50A 1900	62
36A 9622	75			GM 181643	64	50A 1909	35
36A 9623	75			GM 186292	36	50A 1911	36
36A 9624	75	39B 1487	42	GM 187953	88	50A 1922	88
36A 9625	75			GM 191758	82	50A 1925	62
36A 9626	75			GM 271750	54	50A 1926	42
36A 9627	75	GM 102647	48	GM 444637	58	50A 1927	42
36A 9628	75	GM 103028	46			50A 1929	60
36A 9629	75	GM 103373	92			50A 1962	9
36A 9630	75	GM 103375	48	GM9410976	88	50A 1976	70
36A 9631	75	GM 109365	50			50A 1986	28
36A 9632	75	GM 113782	50			50A 2244	42
36A 9633	75	GM 114498	76	50A 154	32	50A 2245	42
36A 9634	75	GM 120238	46	50A 155	48	50A 2246	42
36A 9635	75	GM 120240	18	50A 158	48	50A 2281	35
36A 9636	75	GM 120369	64	50A 177	59	50A 2394	58
36A 9637	75	GM 120375	90	50A 192	42	50A 2417	88
36A 9638	75	GM 120377	90	50A 232	66	50A 2473	58
36A 9639	75	GM 120384	82	50A 578	70	50A 2481	32
36A 9640	75	GM 120388	90	50A 648	52	50A 2492	34
36A 9641	75	GM 120393	92	50A 771	28	50A 2614	50
36A 9642	75	GM 120394	90	50A 954	48	50A 2617	32
36A 9643	75	GM 120690	92	50A 979	40	50A 2620	88
36A 9644	75	GM 121222	46	50A 980	48	50A 2653	46
36A 9645	75	GM 124589	54	50A 981	48	50A 2707	82
36A 9646	75	GM 124829	66	50A 982	48	50A 2740	42
36A 9647	75	GM 124847	66	50A 984	48	50A 2746	44
36A 9648	75	GM 124920	92	50A 985	48	50A 2749	70
36A 9649	75	GM 124944	66	50A 986	48	50A 2755	28
36A 9650	75	GM 125700	34	50A 987	52	50A 2763	91
36A 9651	75	GM 131016	54	50A 988	48	50A 2817	90
36A 9652	75	GM 133056	84	50A 1011	76	50A 2832	71
36A 9653	75	GM 133073	67	50A 1024	54	50A 2834	67
36A 9654	75	GM 137141	46	50A 1043	62	50A 2837	30
36A 9655	75	GM 141405	47	50A 1094	44	50A 2845	42
36A 9656	75	GM 142098	48	50A 1155	46	50A 2846	40
36A 9657	75	GM 144117	58	50A 1156	71	50A 2852	83
36A 9796	36	GM 144355	34	50A 1169	82	50A 2867	70
36A 9797	58	GM 145641	38	50A 1268	76	50A 2883	38



