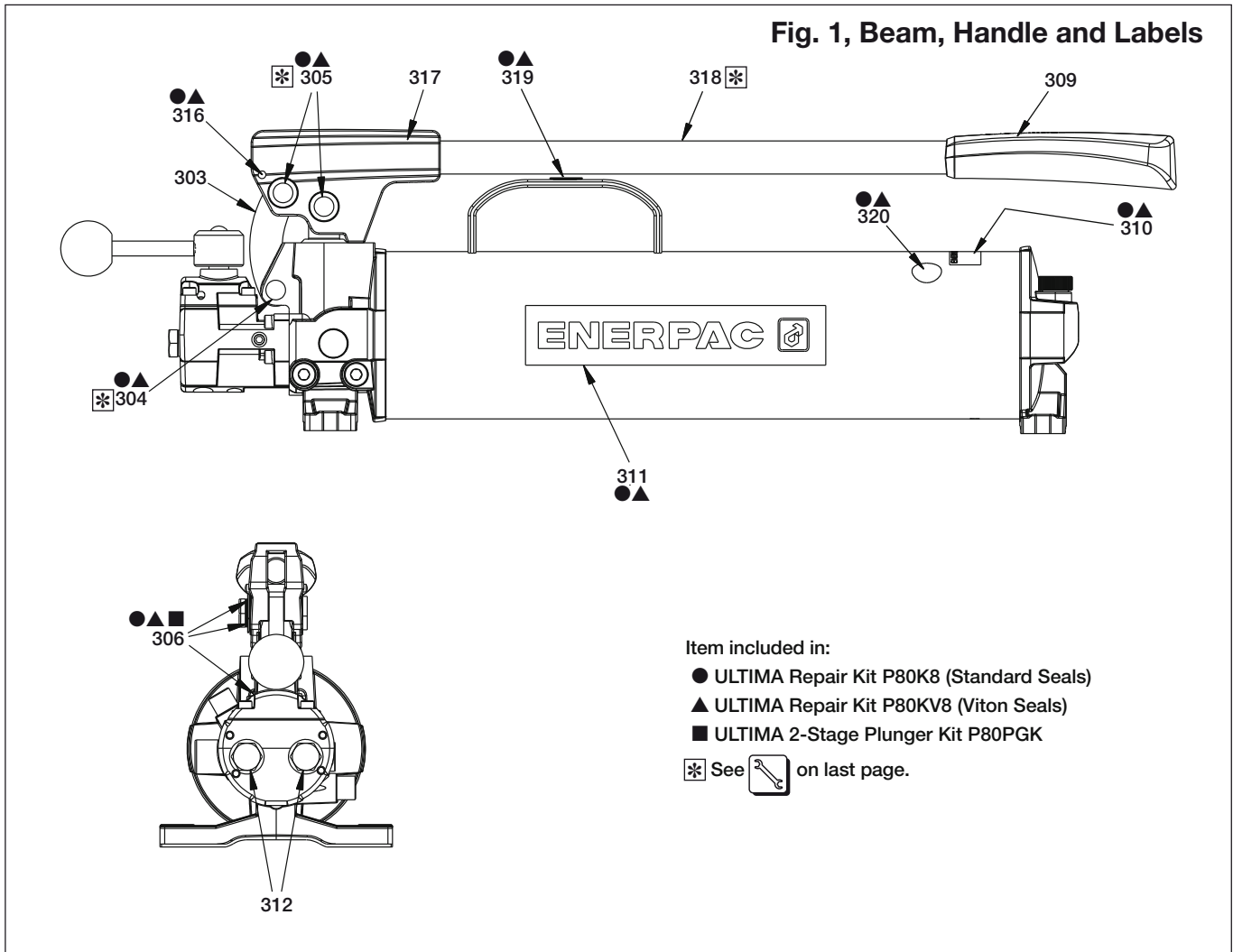


| Repair Parts Sheet | Revision | Revision Date | Product Code Beginning |
|--------------------|----------|---------------|------------------------|
| L3074 | F | 08/2015 | J |



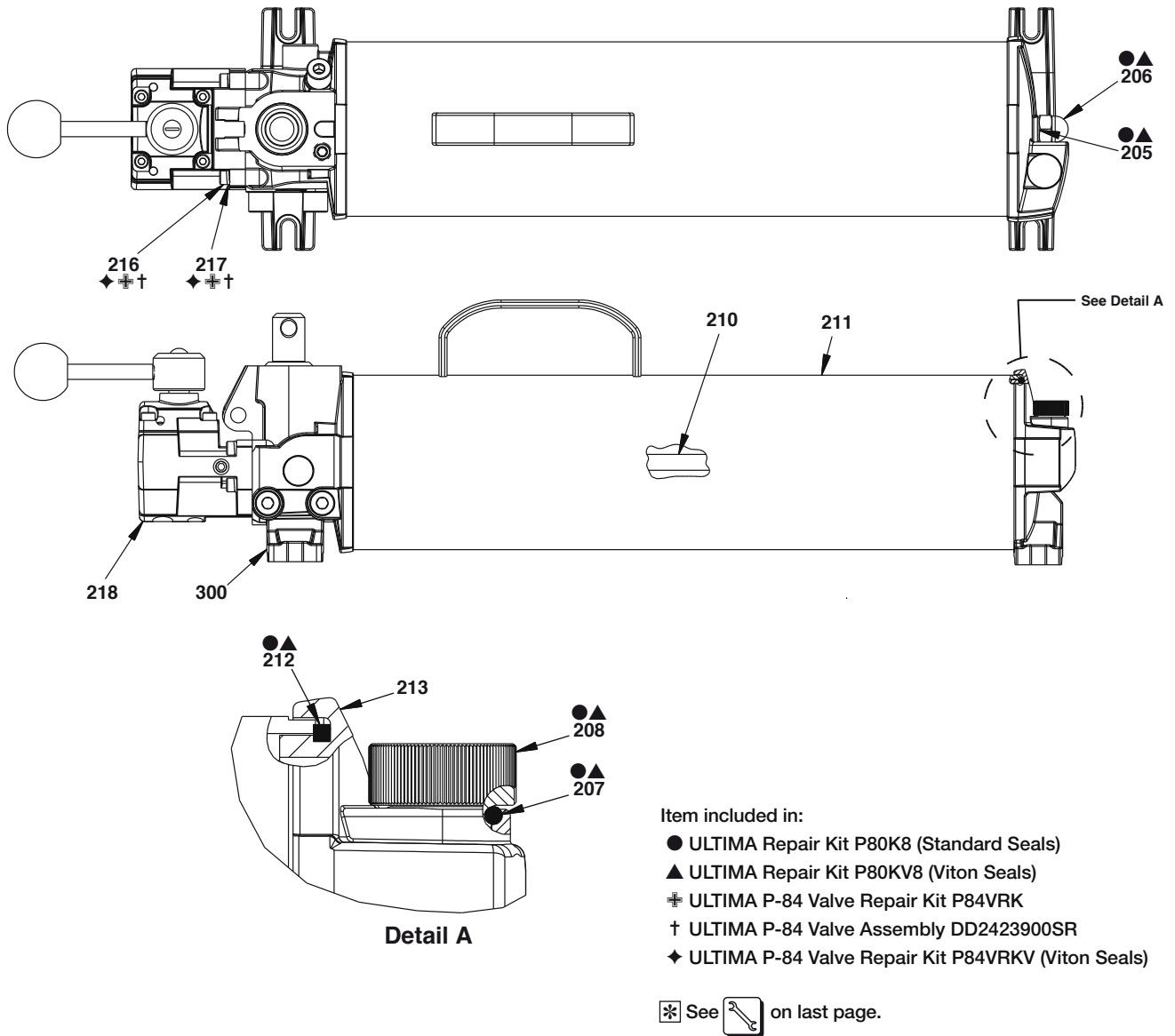
Repair Parts List, Fig. 1

L3074

| Item | Part Number | Qty. | Description | Item | Part Number | Qty. | Description |
|------|-------------|------|---------------------|------|-----------------|------|--------------------------------------|
| 303 | DD1634062 | 1 | Linkage | 312 | R515245-2 | 2 | Plug, Shipping |
| 304 | ●▲DD1649061 | 1 | Pin | 316 | ●▲CCA0529057-1A | 1 | Spring Pin, M5, 30 mm |
| 305 | ●▲DD1650061 | 2 | Pin | 317 | DD1642900 | 1 | Beam Subassembly (includes item 316) |
| 306 | ●▲■CB415044 | 3 | Retaining Ring | 318 | DD2539070 | 1 | Tubing, Handle |
| 309 | DX4160550 | 1 | Grip, Handle | 319 | ●▲ DD2589226 | 1 | Decal, Warning |
| 310 | ●▲DD2537026 | 1 | Decal, Product Spec | 320 | ●▲ DC7887026 | 1 | Decal, Read Instruction |
| 311 | ●▲DD3045026 | 2 | Decal, Enerpac | | | | |

IMPORTANT: Shaded items are available only in kits (not sold separately).

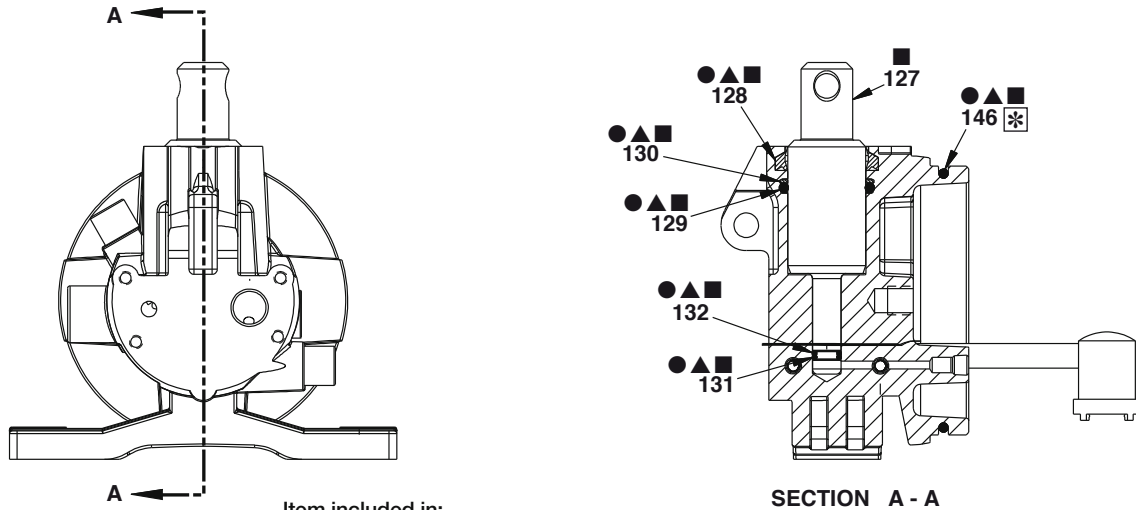
Fig. 2, Pump Reservoir



| Repair Parts List, Fig. 2 | | | | L3074 | | | |
|---------------------------|-------------|------|-----------------------------|--------------|-------------------------|------|--|
| Item | Part Number | Qty. | Description | Item | Part Number | Qty. | Description |
| 205 | ●▲CB813167 | 1 | Copper Gasket | 213 | DD3077020 | 1 | End Cap |
| 206 | ●▲CL341055 | 1 | Acorn Nut, 0.438-14 | 216 | ◆⚡ CCA521028-1A | 4 | SHCS, M5 x 20mm |
| 207 | ●B1010503 | 1 | O-Ring, Size -112 (Std.) | 217 | ◆⚡ CCE1005108-5C | 4 | Lockwasher, M5 |
| | ▲B1112203 | 1 | O-Ring, Size -112 (Viton) | 218 | DD2423900SR | 1 | Directional Control Valve (see Figs. 8-10) |
| 208 | ●▲DD3063009 | 1 | Plug, Oil Fill | 300 | (See Figs. 3 through 7) | 1 | Pump Head (Not sold as subassembly) |
| 210 | CL127149 | 1 | Tie Rod | | | | |
| 211 | DD1644025 | 1 | Reservoir | | | | |
| 212 | ●B1155517 | 1 | Sq. Ring, Size -155 (Std.) | | | | |
| | ▲B1155518 | 1 | Sq. Ring, Size -155 (Viton) | | | | |

IMPORTANT: Shaded items are available only in kits (not sold separately).

Fig. 3, Plunger Assembly



Item included in:

- ULTIMA Repair Kit P80K8 (Standard Seals)
- ▲ ULTIMA Repair Kit P80KV8 (Viton Seals)
- ULTIMA 2-Stage Plunger Kit P80PGK

✱ See  on last page.

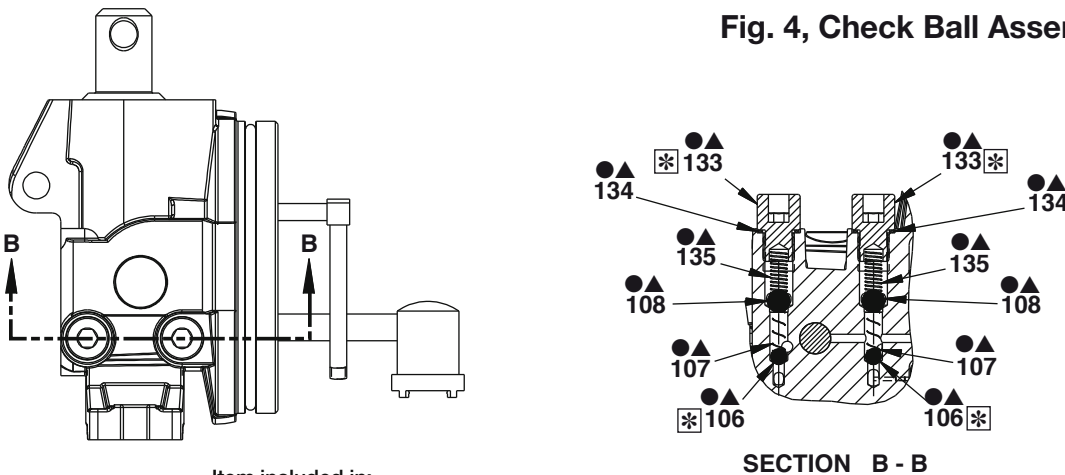
Repair Parts List, Fig. 3

L3074

| Item | Part Number | Qty. | Description | Item | Part Number | Qty. | Description |
|------|---------------|------|---------------------------|------|--------------|------|---------------------------|
| 127 | ■ DD1609051 | 1 | Plunger, P80/P801 | 131 | ●■ B1011803 | 1 | O-Ring, Size -011 (Std.) |
| 128 | ●▲■ DX4162044 | 1 | Wiper | | ▲ B1011203 | 1 | O-Ring, Size -011 (Viton) |
| 129 | ●■ B1022503 | 1 | O-Ring, Size -217 (Std.) | 132 | ●▲■ B1011564 | 1 | Back-up Ring Size -011 |
| | ▲ B1217203 | 1 | O-Ring, Size -217 (Viton) | 146 | ●▲■ 1277503 | 1 | O-Ring, Size -240 |
| 130 | ●▲■ B1217565 | 1 | Back-Up Ring, Size -217 | | | | |

IMPORTANT: Shaded items are available only in kits (not sold separately).

Fig. 4, Check Ball Assemblies



Item included in:

- ULTIMA Repair Kit P80K8 (Standard Seals)
- ▲ ULTIMA Repair Kit P80KV8 (Viton Seals)

✱ See  on last page.

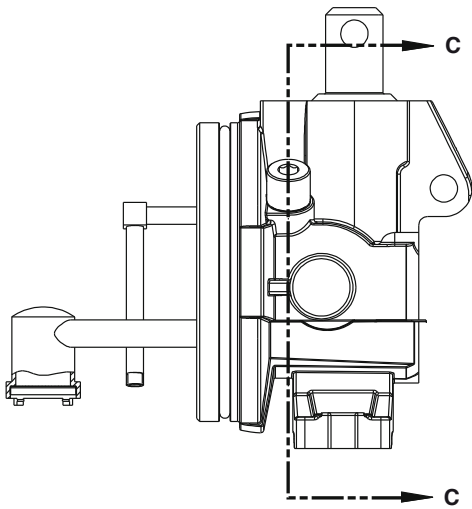
Repair Parts List, Fig. 4

L3074

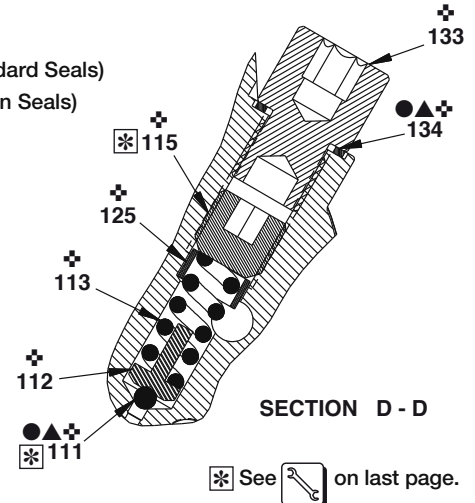
| Item | Part Number | Qty. | Description | Item | Part Number | Qty. | Description |
|------|-------------|------|------------------|------|--------------|------|-------------|
| 106 | ●▲ B1006016 | 2 | Ball, 7/32" Dia | 133 | ●▲ DD2538185 | 2 | Plug |
| 107 | ●▲ A8197110 | 2 | Spring | 134 | ●▲ B159167 | 2 | Gasket |
| 108 | ●▲ B1009016 | 2 | Ball, 5/16" Dia. | 135 | ●▲ S1183 | 2 | Spring |

IMPORTANT: Shaded items are available only in kits (not sold separately).

Fig. 5, Relief Valve Assembly



- Item included in:
- ULTIMA Repair Kit P80K8 (Standard Seals)
 - ▲ ULTIMA Repair Kit P80KV8 (Viton Seals)
 - ✦ ULTIMA Repair Kit P80SFK



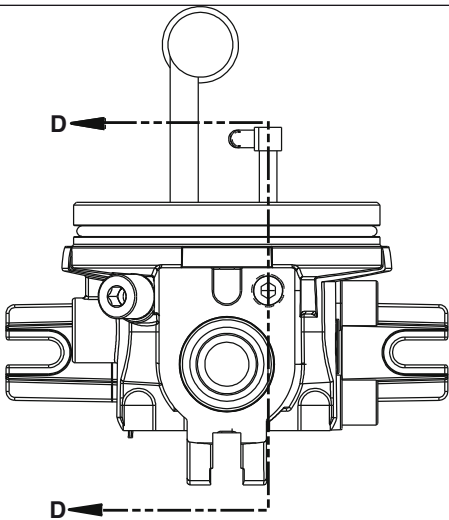
Repair Parts List, Fig. 6

L3074

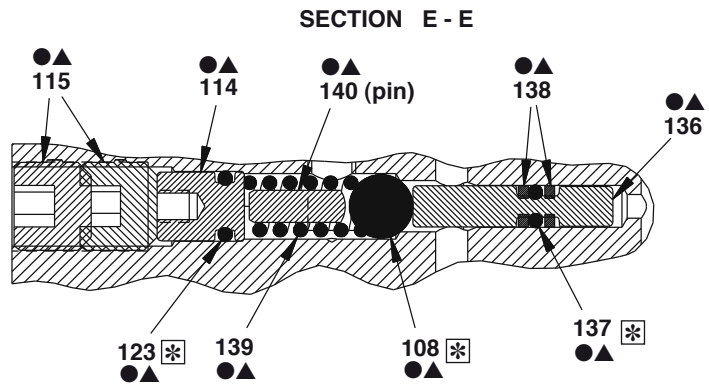
| Item | Part Number | Qty. | Description | Item | Part Number | Qty. | Description |
|------|--------------|------|--------------------------|------|-------------|------|-------------|
| 111 | ●▲✦ B1006016 | 1 | Ball, 1/8" Dia | 125 | ✦ DD3075186 | 1 | Spacer |
| 112 | ✦ A8038570 | 1 | Ball Cap | 133 | ✦ DD2538185 | 1 | Plug |
| 113 | ✦ A8126110 | 1 | Spring | 134 | ●▲✦ B159167 | 1 | Gasket |
| 115 | ✦ DC10131048 | 1 | Set Screw, .437-20 x .38 | | | | |

IMPORTANT: Shaded items are available only in kits (not sold separately).

Fig. 6, Bypass Valve Assembly



- Item included in:
- ULTIMA Repair Kit P80K8 (Standard Seals)
 - ▲ ULTIMA Repair Kit P80KV8 (Viton Seals)



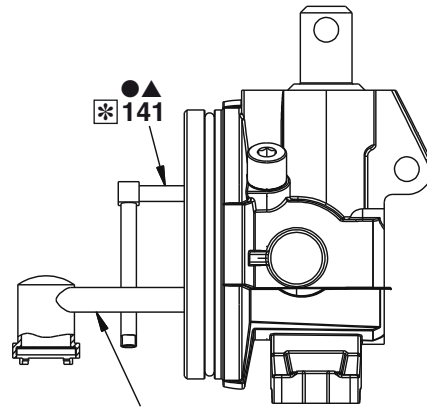
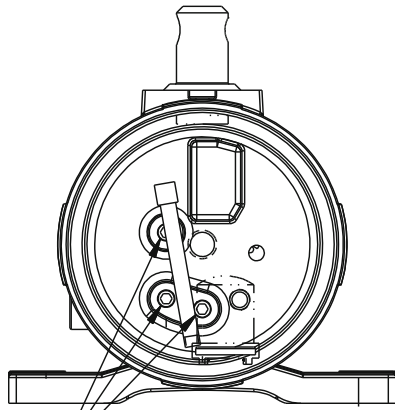
Repair Parts List, Fig. 6

L3074

| Item | Part Number | Qty. | Description | Item | Part Number | Qty. | Description |
|------|--------------|------|---------------------------|------|-----------------|------|---------------------------|
| 108 | ●▲B1009016 | 1 | Ball, 5/16" Dia. | 137 | ●B1004803 | 1 | O-Ring, Size -004 (Std.) |
| 114 | ●▲DC7234009 | 1 | Plug | | ▲B1004203 | 1 | O-Ring, Size -004 (Viton) |
| 115 | ●▲DC10131048 | 2 | Set Screw, .437-20 x .38 | 138 | ●▲B1004564 | 2 | Back Up Ring, Size -004 |
| 123 | ●B1009803 | 1 | O-Ring, Size -009 (Std.) | 139 | ●▲A8038110 | 1 | Spring |
| | ▲B1009203 | 1 | O-Ring, Size -009 (Viton) | 140 | ●▲CAA0415061-2A | 1 | Dowel Pin, M4 x12 mm |
| 136 | ●▲DX4075061 | 1 | Pin | | | | |

IMPORTANT: Shaded items are available only in kits (not sold separately).

Fig. 7, Oil Piping and Filter



* 143

Item included in:

- ULTIMA Repair Kit P80K8 (Standard Seals)
- ▲ ULTIMA Repair Kit P80KV8 (Viton Seals)

* See  on last page.

Repair Parts List, Fig. 7

L3074

| Item | Part Number | Qty. | Description | Item | Part Number | Qty. | Description |
|------|-------------|------|-----------------------|------|-------------|------|-------------------|
| 141 | ●▲DX4713092 | 1 | Fitting, Pick-up Tube | 143 | ●▲A1006245 | 3 | Flush Plug, 1/16" |
| 148 | ●▲DD2520038 | 1 | Oil Filter | | | | |

IMPORTANT: Shaded items are available only in kits (not sold separately).

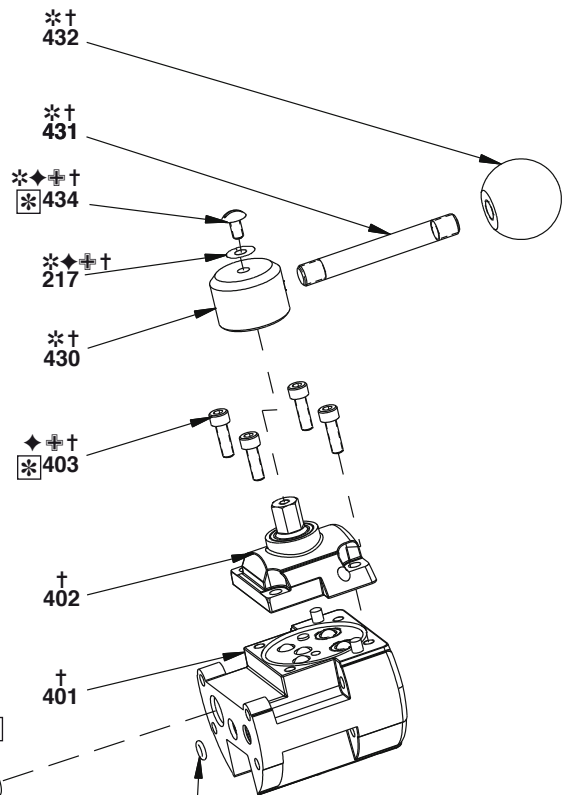
Repair Parts List, Fig. 8

L3074

| Item | Part Number | Qty. | Description |
|------|--------------------|------|---------------------------|
| 123 | ‡†B1004503 | 1 | O-Ring, Size -009 (Std.) |
| | ◆B1009203 | 1 | O-Ring, Size -009 (Viton) |
| 217 | ◆*‡† CCE1005108-5C | 1 | Lock Washer |
| 401 | †DX4141900 | 1 | Manifold, Lower |
| 402 | †DX4140900 | 1 | Manifold, Upper |
| 403 | ◆‡† CBE519028-1A | 4 | SHCS, M5 x 16mm Zinc Plt. |
| 404 | ◆‡† C162096 | 1 | Connector |
| 430 | *†DX4724815 | 1 | Hub |
| 431 | *†DD2544157 | 1 | Handle |
| 432 | *†DC7288147 | 1 | Knob |
| 434 | ◆*‡† B2510028X | 1 | BHCS, #10-32 X 0.75" |
| 436 | ◆‡† B1012564 | 2 | Back-Up, size -012 |
| 437 | ‡†B1012803 | 2 | O-Ring, Size -012 (Std.) |
| | ◆B1012203 | 2 | O-Ring, Size -012 (Viton) |

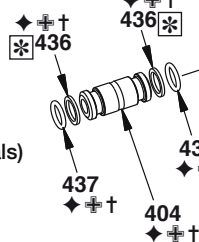
IMPORTANT: Shaded items are available only in kits (not sold separately).

Fig. 8, P-84 Valve Assembly
DD2423900SR



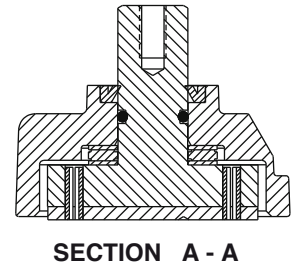
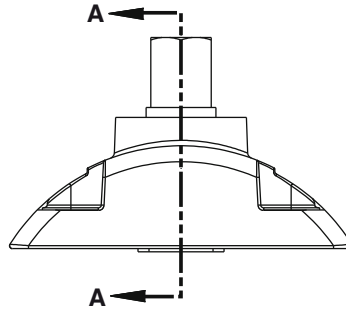
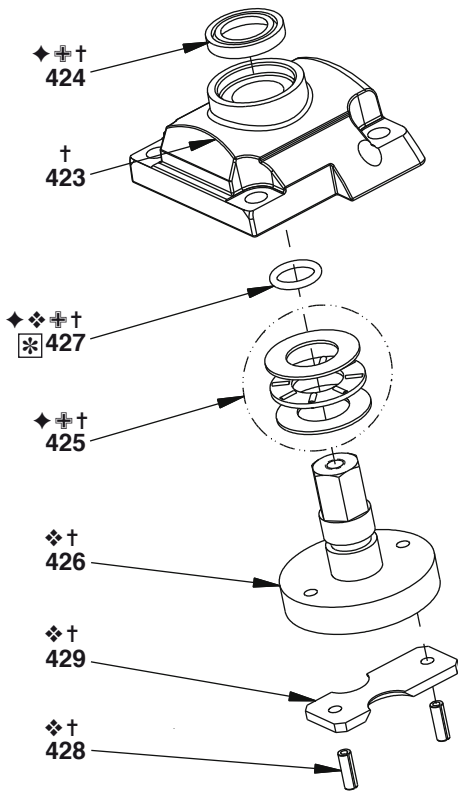
Item included in:

- * ULTIMA P-84 Handle Kit P84HDK
- ‡ ULTIMA P-84 Valve Repair Kit P84VRK (Standard Seals)
- ◆ ULTIMA P-84 Valve Repair Kit P84VRKV (Viton Seals)
- † ULTIMA P-84 Valve Assembly DD2423900SR



* See  on last page.

Fig. 9, Subassembly, Upper Manifold



Item included in:

- ✦ ULTIMA P-84 Valve Repair Kit P84VRK (Standard Seals)
- ◆ ULTIMA P-84 Valve Repair Kit P84VRKV (Viton Seals)
- ❖ ULTIMA P-84 Disc Assembly DD3067900SR
- † ULTIMA P-84 Valve Assembly DD2423900SR

✧ See  on last page.

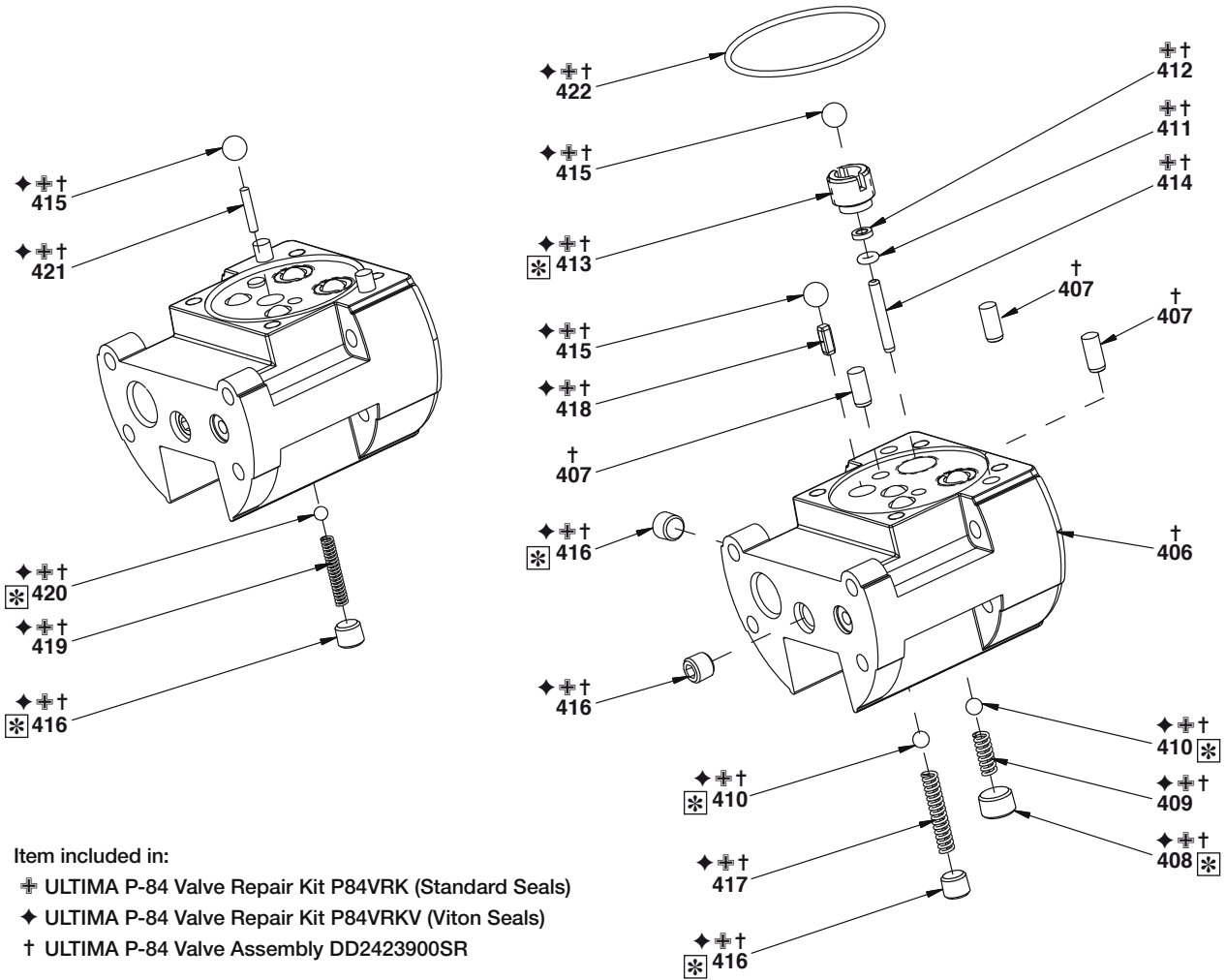
Repair Parts List, Fig. 9

L3074

| Item | Part Number | Qty. | Description | Item | Part Number | Qty. | Description |
|------|--------------|------|---------------------|------|--------------|------|---------------------------------|
| 423 | †DD3086840 | 1 | Upper Manifold, P84 | 427 | ✦✦† B1007503 | 1 | O-Ring, Size -012 (Std.) |
| 424 | ◆✦† A1028476 | 1 | Lip Seal | | ◆✦† B1007503 | 1 | O-Ring, Size -012 (Viton) |
| 425 | ◆✦† C940155 | 1 | Bearing | 428 | ❖† B1049057 | 2 | Spring Pin, 1/8" Dia x 3/8" Lg. |
| 426 | ❖† C932071 | 1 | Disc | 429 | ❖† DD2417145 | 1 | Disc Bar |

IMPORTANT: Shaded items are available only in kits (not sold separately).

Fig. 10, Subassembly, Lower Manifold



- Item included in:
- † ULTIMA P-84 Valve Repair Kit P84VRK (Standard Seals)
 - ◆ ULTIMA P-84 Valve Repair Kit P84VRKV (Viton Seals)
 - † ULTIMA P-84 Valve Assembly DD2423900SR

* See  on last page.

Repair Parts List, Fig. 10

L3074

| Item | Part Number | Qty. | Description | Item | Part Number | Qty. | Description |
|------|-----------------|------|---------------------------|------|------------------|------|---------------------------|
| 406 | † DD3085840 | 1 | Manifold, P-84 | 415 | ◆†† B1008016 | 5 | Ball, 9/32" Dia. |
| 407 | † CAA0515061-1A | 3 | Dowel Pin, M5 x 12mm | 416 | ◆†† A1006245 | 5 | Plug |
| 408 | ◆†† A1007245 | 2 | Plug | 417 | ◆†† C955110 | 2 | Spring |
| 409 | ◆†† C830110 | 2 | Spring | 418 | ◆†† DD2420061 | 2 | Pin |
| 410 | ◆†† B1005016 | 4 | Ball, 3/16" Dia. | 419 | ◆†† DA5769110 | 1 | Spring |
| 411 | † B1001503 | 2 | O-Ring, Size -006 (Std.) | 420 | ◆†† B1004016 | 1 | Ball, 5/32" Dia. |
| | ◆ B1006203 | 2 | O-Ring, Size -006 (Viton) | 421 | ◆†† CAA267061-2A | 1 | Dowel Pin, M2.5 x 14mm |
| 412 | ◆†† DA5776186 | 2 | Ring, Backup | 422 | † B1237503 | 1 | O-Ring, Size -031 (Std.) |
| 413 | ◆†† C861439 | 2 | Insert | | † B1031203 | 1 | O-Ring, Size -031 (Viton) |
| 414 | ◆†† DD2419251 | 2 | Push Pin | | | | |

IMPORTANT: Shaded items are available only in kits (not sold separately).



| * Service Information | | L3074 |
|-----------------------|------------|---|
| Fig. | Item | Torque / notes |
| 1 | 304 | Apply grease before assembly. |
| 1 | 305 | Apply grease before assembly. |
| 1 | 318 | Apply Loctite 243 to threads before assembly. Apply torque by turning one additional turn after hand tight. |
| 2 | 206 | 28 - 35 Nm [21 - 26 Ft - Lbs.] |
| 2 | 208 | Hand tighten until fully installed. |
| 3 | 129 | Lubricate with grease before assembly. |
| 3 | 131 | Lubricate with grease before assembly. |
| 3 | 146 | Lubricate with grease before assembly. |
| 4 | 106 | Coin ball seat before installing new ball. |
| 4 | 108 | Coin ball seat before installing new ball. |
| 4 | 133 | 40 - 45 Nm [29.5 - 33.2 Ft - Lbs.] |
| 5 | 111 | Coin ball seat before installing new ball. |
| 5 | 115 | Turn set screw to adjust relief valve pressure setting. DO NOT set pressure higher than 700 Bar [10,000 Psi]. |
| 6 | 108 | Coin ball seat before installing new ball. |
| 6 | 123 | Lubricate with grease before assembly. |
| 6 | 137 | Lubricate with grease before assembly. |
| 6 | 115 | Turn set screw to adjust bypass valve pressure setting. Adjust so that pump shifts from first to second stage at between 28 and 41 Bar [400 - 600 Psi]. |
| 7 | 141 | Insert short stem of tubing assembly into port. |
| 7 | 143 | 14 - 16 Nm [10.3 - 11.8 Ft - Lbs.] |
| 7 | 148 | Assemble with screen open end down. |
| 8 | 123 | Lubricate with grease before assembly. |
| 8 | 403 | 7,8 - 8,7 Nm [5.8 - 6.4 Ft - Lbs.] |
| 8 | 434 | 2,4 - 3,0 Nm [1.8 - 2.2 Ft - Lbs.] |
| 8 | 436 | Lubricate with grease before assembly. |
| 9 | 427 | Lubricate with grease before assembly. |
| 10 | 408 | 22 - 25 Nm [16.2 - 18.4 Ft - Lbs.] |
| 10 | 410 | Coin ball seat before installing new ball. |
| 10 | 413 | 14 - 16 Nm [10.3 - 11.8 Ft - Lbs.] |
| 10 | 416 | 14 - 16 Nm [10.3 - 11.8 Ft - Lbs.] |
| 10 | 420 | Coin ball seat before installing new ball. |



To maintain your warranty:

- Use only Enerpac Oil
- Have your products inspected and repaired by an Enerpac Authorized Service Center

ENERPAC 

Visit www.enerpac.com for the location of the Enerpac Authorized Service Center nearest you.