

Replacement Parts for:  
**Peanut Equipment**



Peanut Combine Replacement Parts For:

Amadas

KMC

Lilliston

Roanoke-Hustler

and more...



**TISCO**

# Peanut Equipment Catalog 2014 Index

## **Amadas® Peanut Combine Replacement Parts**

Drivelines.....	3
Peanut Teeth .....	3
Bearings/Seals/Flangettes .....	4
Roller Chain Drives DOMESTIC (Cut to Length).....	5
Roller Chain Drives IMPORT (Cut to Length).....	6

## **KMC® Peanut Combine Replacement Parts**

Drivelines.....	7
Peanut Teeth .....	8
Bearings/Seals/Flangettes .....	8-9
Roller Chain Drives DOMESTIC (Cut to Length).....	9
Roller Chain Drives IMPORT (Cut to Length).....	9

## **Lilliston Peanut Combine Replacement Parts**

Bearings/Seals/Flangettes .....	10
Peanut Teeth .....	10
Gauge Wheel.....	10

## **Roanoke-Hustlet Peanut Combine Replacement Parts**

Bearings/Seals/Flangettes .....	11
Peanut Teeth .....	11

## **Other Peanut Teeth & Drivelines**

Drivelines.....	12
Peanut Teeth .....	12

## **Amadas® Q Power Belts®**

Pull Type Combines 511 .....	14-15
Pull Type Combines 520, 522, 522A, 525, 525W.....	16-17
Pull Type Combines 8557 .....	16-17
Pull Type Combines 9097, 9297, 9597, 9797, 9897.....	20-21
Pull Type Combines 9797T, 9897T, 9997T, 9998F.....	22-23
Pull Type Combines 9997A, 9997B, 9997E, 9997F .....	24-25
Pull Type Combines M2100D/M9997T, M2100A/M9997A, M2100D/M2100T .....	26-27
Pull Type Combines 2108, 2110 .....	28-29
Self Propelled Combines 9665, 9865, 9965A.....	30-31
Self Propelled Combines 9900, A9900, 9960.....	32-33
Self Propelled Combines 9970.....	34-35
Digger, Shaker, Inverter 600, 622, 625, 660.....	36-37
Digger, Shaker, Inverter 662, 663 .....	36-37

## **KMC® Q Power Belts®**

Combines 3300, 3350 .....	40-41
Combines 3355, 3360 .....	42-43
Combines 3374, 3376.....	44-45
Inverter 6-31, 6-36, 6-38, 6-40 .....	46-47
Vine Conditioner & Lifter 03-Series .....	46-47



## □ Drivelines

### Metric Constant-Velocity Tractor Half-Shafts

OEM Number	TISCO Number	Description
WS80556QD	93-14516855	1-3/8" X 6 SP QD
WS805521QD	93-14616855	1-3/8" X 21 SP QD
WS805520QD	14716855	1-3/4" X 20 SP QD

### Metric Implement Half-Shafts

OEM Number	TISCO Number	Description
WS805521PY	92-14636855	1-3/8" X 21 PY

### Metric Constant-Velocity Complete Shafts

OEM Number	TISCO Number	Description
WS80552121PY	WS80552121PY	1-3/8" X 21 SP QD
		1-3/8" X 21 SP PY
WS80552021PY	WS80552021CS	1-3/4" X 20 SP QD
		1-3/8" X 21 SP PY



Half Shaft



Complete Shaft

### Standard Constant-Velocity Tractor Half-Shafts

OEM Number	TISCO Number	Description
55N3601	93-14656855	1-3/8" X 21 SP QD
55N3600	93-14756855	1-3/4" X 20 SP QD

### Standard Implement Half-Shafts

OEM Number	TISCO Number	Description
55N360121PY	92-14635555	1-3/8" X 21 PY

### Pedestal Shaft

OEM Number	TISCO Number	Description
W387782	1100-7500	Jack Shaft, tubing with splines

### Components

OEM Number	TISCO Number	Description
11014	200-3500	35 Series Cross & Bearing
11022	200-1400	14 Series Cross & Bearing



35 Series Cross and Bearing



14 Series Cross and Bearing

## □ Peanut Teeth

OEM Number	TISCO Number	Description
7008	7008	Peanut Combine Tooth
7018	7018	Peanut Combine Tooth
7028	7028	Peanut Combine Tooth
7037	7037	Peanut Combine Tooth
7038	7038	Peanut Combine Tooth
7068	P7068	Peanut Combine Tooth
7079	P7079	Peanut Combine Tooth



Combine Tooth



## □ Bearings/Seals/Flangettes

OEM Number*	TISCO Number	Description
3010	203KRR3-TIM	5/8" Cam Follower Bearing Timken
3028	RA100RRB-TIM	1" Bearing with collar Timken
	RA100RRB-IMP	1" Bearing with collar Import
3091	F372	72MM Flangette sold by pairs
3092	F485	85MM Flangette-sold by pairs
3093	F362	62MM Flangette-sold by pairs
3094	F352	52MM Flangette-sold by pairs
3095	RA100RRB-TIM	1" Bearing with collar Timken
	RA100RRB-IMP	1" Bearing with collar
3096	RA103RRB-TIM	1-3/16" Bearing with collar Timken
	RA103RRB-IMP	1-3/16" Bearing with collar
3097	RA106RRB-TIM	1-3/8" Bearing with collar Timken
	RA106RRB-IMP	1-3/8" Bearing with collar
3098	RA107RRB	1-7/16" Bearing with collar
	RA107RRB-IMP	1-7/16" Bearing with collar
3099	G1111KRRB	1-11/16" Bearing with collar extended
3102	RA014RRB-TIM	7/8" Bearing with collar Timken
	RA014RRB-IMP	7/8" Bearing with collar
3103	WGPZ14	7/8" Pillow block
3108	F4100	Flangette (Plated) -sold by pairs
3126	G1207KRRB-TIM	2-7/16" Bearing with collar extended Timken
3127	RA104RRB-TIM	1-1/4" Bearing Insert Timken
	RA104RRB-IMP	1-1/4" Bearing Insert
3131	RCJ2-7/16-TIM	2-7/16" 4-Bolt flange assembly Timken
3160	WGPZ22	1-3/8" Pillow block
3171	WGPZ19	1-3/16" Pillow block
3172	WGPZ16	1" Pillow block
3173	WGPZ14	7/8" Pillow block
	1103KRRB	1-3/16" Prelubed bearing with collar
3174	1103KRRB-IMP	1-3/16" Prelubed bearing with collar
	G1107KRRB-TIM	1-7/16" Bearing with collar extended Timken
3241	354921X1	35mm bore Ball Bearing, double shielded
8013	25590-TIM	Bearing Cone Timken 25590
8014	25877-TIM	Bearing Cone Timken 25877
8015	CR20148	Oil seal Chicago Rawhide
8039	25520-TIM	Bearing Cup Timken 25520
8393AB	39520-TIM	Bearing Cup Timken 39520
8393AC	453A-TIM	Bearing Cup Timken 453A
8393C	460-TIM	Bearing Cone Timken 460
8393D	39585-TIM	Bearing Cone Timken 39585
8393F	CR30087	Oil seal Chicago Rawhide
8604B	LM11949-TIM	Bearing Cone Timken LM11949
8604D	LM11910-TIM	Bearing Cup Timken LM11910



Bearing



Flangette



Bearing with Collar



Pillow Block



Oil Seal



Cup Timken



Cone Timken

## ❑ Roller Chain Drives DOMESTIC (Cut to Length)

### #40 chain contains 240 links per 10' box.

OEM Number	TISCO Number	Description
4042-131	<b>4042-131</b>	Drives 40 Chain 129 links + Connector + Offset
4042-24	<b>4042-24</b>	Drives 40 Chain 23 links + Connector
4042-244	<b>4042-244</b>	Drives 40 Chain 243 links + Connector
4042-254	<b>4042-254</b>	Drives 40 Chain 253 links + Connector
4042-26	<b>4042-26</b>	Drives 40 Chain 25 links + Connector
4042-28	<b>4042-28</b>	Drives 40 Chain 27 links + Connector
4042-81	<b>4042-81</b>	Drives 40 Chain 79 links + Connector + Offset



Chain

### #50 chain contains 192 links per 10' box.

OEM Number	TISCO Number	Description
4262-102	<b>4262-102</b>	Drives 50 Chain 101 links + Connector
4262-105	<b>4262-105</b>	Drives 50 Chain 103 links + Connector + Offset
4262-118	<b>4262-118</b>	Drives 50 Chain 117 links + Connector
4262-158	<b>4262-158</b>	Drives 50 Chain 157 links + Connector
4262-177	<b>4262-177</b>	Drives 50 Chain 175 links + Connector + Offset
4262-186	<b>4262-186</b>	Drives 50 Chain 185 links + Connector
4262-193	<b>4262-193</b>	Drives 50 Chain 191 links + Connector + Offset
4262-24	<b>4262-24</b>	Drives 50 Chain 23 links + Connector
4262-26	<b>4262-26</b>	Drives 50 Chain 25 links + Connector + Offset
4262-27	<b>4262-27</b>	Drives 50 Chain 25 links + Connector + Offset
4262-80	<b>4262-80</b>	Drives 50 Chain 79 links + Connector
4262-82	<b>4262-82</b>	Drives 50 Chain 81 links + Connector



Offset

### #60 chain contains 160 links per 10' box.

OEM Number	TISCO Number	Description
4043-132	<b>4043-132</b>	Drives 60 Chain 131 links + Connector
4043-141	<b>4043-141</b>	Drives 60 Chain 139 links + Connector + Offset
4043-148	<b>4043-148</b>	Drives 60 Chain 147 links + Connector
4043-164	<b>4043-164</b>	Drives 60 Chain 163 links + Connector
4043-168	<b>4043-168</b>	Drives 60 Chain 167 links + Connector
4043-170	<b>4043-170</b>	Drives 60 Chain 169 links + Connector
4043-222	<b>4043-222</b>	Drives 60 Chain 221 links + Connector
4043-62	<b>4043-62</b>	Drives 60 Chain 61 links + Connector
4043-81	<b>4043-81</b>	Drives 60 Chain 79 links + Connector + Offset
4043-86	<b>4043-86</b>	Drives 60 Chain 85 links + Connector
4043-88	<b>4043-88</b>	Drives 60 Chain 87 links + Connector
4043-93	<b>4043-93</b>	Drives 60 Chain 91 links + Connector + Offset
4043-94	<b>4043-94</b>	Drives 60 Chain 93 links + Connector
4043-96	<b>4043-96</b>	Drives 60 Chain 95 links + Connector
4043-97	<b>4043-97</b>	Drives 60 Chain 95 links + Connector + Offset
4043-99	<b>4043-99</b>	Drives 60 Chain 97 links + Connector + Offset



Connector

### #80 chain contains 120 links per 10' box.

OEM Number	TISCO Number	Description
4365-100	<b>4365-100</b>	Drives 80 Chain 99 links + Connector
4365-106	<b>4365-106</b>	Drives 80 Chain 105 links + Connector
4365-109	<b>4365-109</b>	Drives 80 Chain 107 links + Connector + Offset
4365-156	<b>4365-156</b>	Drives 80 Chain 155 links + Connector

### #100 chain contains 96 links per 10' box.

OEM Number	TISCO Number	Description
4456-126	<b>4456-126</b>	Drives 100 Chain 125 links + Connector
4456-129	<b>4456-129</b>	Drives 100 Chain 127 links + Connector + Offset

## ❑ Roller Chain Drives IMPORT (Cut to Length)

### #40 chain contains 240 links per 10' box.

OEM Number	TISCO Number	Description
4042-131IMP	<b>4042-131IMP</b>	Import 40 Chain 129 links + Connector + Offset
4042-241IMP	<b>4042-241IMP</b>	Import 40 Chain 23 links + Connector
4042-244IMP	<b>4042-244IMP</b>	Import 40 Chain 243 links + Connector
4042-254IMP	<b>4042-254IMP</b>	Import 40 Chain 253 links + Connector + Chain
4042-261IMP	<b>4042-261IMP</b>	Import 40 Chain 25 links + Connector
4042-281IMP	<b>4042-281IMP</b>	Import 40 Chain 27 links + Connector
4042-81IMP	<b>4042-81IMP</b>	Import 40 Chain 79 links + Connector + Offset



Chain

### #50 chain contains 192 links per 10' box.

OEM Number	TISCO Number	Description
4262-102IMP	<b>4262-102IMP</b>	Import 50 Chain 101 links + Connector
4262-105IMP	<b>4262-105IMP</b>	Import 50 Chain 103 links + Connector + Offset
4262-118IMP	<b>4262-118IMP</b>	Import 50 Chain 117 links + Connector
4262-158IMP	<b>4262-158IMP</b>	Import 50 Chain 157 links + Connector
4262-177IMP	<b>4262-177IMP</b>	Import 50 Chain 175 links + Connector + Offset
4262-186IMP	<b>4262-186IMP</b>	Import 50 Chain 185 links + Connector
4262-193IMP	<b>4262-193IMP</b>	Import 50 Chain 191 links + Connector + Offset
4262-241IMP	<b>4262-241IMP</b>	Import 50 Chain 23 links + Connector
4262-261IMP	<b>4262-261IMP</b>	Import 50 Chain 25 links + Connector + Offset
4262-271IMP	<b>4262-271IMP</b>	Import 50 Chain 25 links + Connector + Offset
4262-80IMP	<b>4262-80IMP</b>	Import 50 Chain 79 links + Connector
4262-82IMP	<b>4262-82IMP</b>	Import 50 Chain 81 links + Connector



Offset

### #60 chain contains 160 links per 10' box.

OEM Number	TISCO Number	Description
4043-86IMP	<b>4043-86IMP</b>	Import 60 Chain 85 links + Connector

### #80 chain contains 120 links per 10' box.

OEM Number	TISCO Number	Description
4365-100IMP	<b>4365-100IMP</b>	Import 80 Chain 99 links + Connector
4365-106IMP	<b>4365-106IMP</b>	Import 80 Chain 105 links + Connector
4365-109IMP	<b>4365-109IMP</b>	Import 80 Chain 107 links + Connector + Offset
4365-156IMP	<b>4365-156IMP</b>	Import 80 Chain 155 links + Connector



Connector

### #100 chain contains 96 links per 10' box.

OEM Number	TISCO Number	Description
4456-126IMP	<b>4456-126IMP</b>	Import 100 Chain 125 links + Connector
4456-129IMP	<b>4456-129IMP</b>	Import 100 Chain 127 links + Connector + Offset



## □ Drivelines

### Metric Constant-Velocity Tractor Half-Shafts

OEM Number	TISCO Number	Description
WS80556QD	93-14516855	1-3/8" X 6 SP QD
WS805521QD	93-14616855	1-3/8" X 21 SP QD
WS805520QD	93-14716855	1-3/4" X 20 SP QD



Half Shaft



Half Shaft

### Metric Implement Half-Shafts

OEM Number	TISCO Number	Description
WS805521CS	92-14626855	1-3/8" X 21 Clamp Style Yoke

### Metric Constant-Velocity Complete Shafts

OEM Number	TISCO Number	Description
WS80552121CS	WS80552121CS	1-3/8" X 21 SP QD
		1-3/8" X 21 SP CS
WS80552021CS	WS80552021CS	1-3/4" X 20 SP QD
		1-3/8" X 21 SP CS



Complete Shaft

### Standard Constant-Velocity Tractor Half-Shafts

OEM Number	TISCO Number	Description
55N3601	93-14656855	1-3/8" X 21 SP QD
55N3600	93-14756855	1-3/4" X 20 SP QD



Cross and Bearing

### Standard Implement Half-Shafts

OEM Number	TISCO Number	Description
55N360121CS	92-14625555	1-3/8" X 21 Clamp Style Yoke



Cross and Bearing

## Components

OEM Number	TISCO Number	Description
02-055-048	200-6806	8 Series Metric Cross and Bearing
03-055-135	200-3500	35 Series Cross & Bearing
03-055-033	200-1400	14 Series Cross & Bearing
03-055-003	200-1200	12 Series Cross & Bearing
33-055-006	200-8692	220 Series Metric Cross and Bearing
03-055-075	200-8474	Metric Series 4 Cross & Bearing

## Driveline Rack

OEM Number	TISCO Number	Description
ADS1001	ADS1001	Driveline Display Rack



Driveline Display Rack

## □ Peanut Teeth

OEM Number	TISCO Number	Description
33-050-004	KMC33-050-004	Peanut Combine Tooth
33-050-005A	KMC33-050-005A	Peanut Combine Tooth
33-050-006	KMC33-050-006	Peanut Combine Tooth
33-050-023	KMC33-050-023	Peanut Combine Tooth
33-050-095	KMC33-050-095	Peanut Combine Tooth
33-050-118	KMC33-050-118	Peanut Combine Tooth
33-050-117	KMC33-050-117	Peanut Combine Tooth



Combine Tooth



## □ Bearings/Seals/Flangettes

OEM Number*	TISCO Number	Description
02-051-005	LM67010-TIM	Bearing Cup Timken
	LM67010	Bearing Cup Import
02-051-006	LM67048-TIM	Bearing Cone Timken
	LM67048	Bearing Cone Import
02-051-007	LM501310-TIM	Bearing Cup Timken
	LM501310-IMP	Bearing Cup Import
02-051-008	LM501349-TIM	Bearing Cone Timken
02-051-010	CR16069	Oil Seal Chicago Rawhide
02-051-015	L44643-TIM	Bearing Cone Timken
	L44643	Bearing Cone Import
02-051-016	L44610-TIM	Bearing Cup Timken
	L44610	Bearing Cup Import
02-051-025	GN1112KRRB-TIM	1-3/4" Heavy duty insert bearing
02-051-040	JL69310-TIM	Bearing Cup Timken
	JL69310	Bearing Cup Import
02-051-041	JL69349-TIM	Bearing Cone Timken
	JL69349	Cone Import
02-051-048	G1115KRRB-TIM	1-15/16" Extended bearing with collar Timken
	G1115KRRB-IMP	1-15/16" Extended bearing with collar
02-051-064	205KRP2-TIM	Bearings Timken
02-056-007	CR12411	Oil Seal Chicago Rawhide
02-056-011	CR16284	Oil Seal Chicago Rawhide
03-051-002	RA103RRB-TIM	1-3/16" Insert bearing Timken
	RA103RRB-IMP	1-3/16" Insert bearing
03-051-010	1100KRR-TIM	1" Coultter bearing Timken
03-051-015	204RR6C1	3/4" Insert bearing
03-051-016	RA104RRB-TIM	1-1/4" Insert bearing for 33-051-021 Timken
	RA104RRB-IMP	1-1/4" Insert bearing for 33-051-021
03-051-017	JLM506810	Bearing Cup Timken
03-051-021	G1100KRRB-TIM	1" Extended bearing with collar Timken
	G1100KRRB-IMP	1" Extended bearing with collar
03-051-027	G1103KRRB	1-3/16" Extended bearing with collar
	G1103KRRB-IMP	1-3/16" Extended bearing with collar
04-051-001	205PPB7-TIM	15/16" Basket bearing Timken
	205PPB7-IMP	15/16" Basket bearing
16-051-001	LM11910-TIM	Bearing Cup Timken
	LM11910	Bearing Cup Import
16-051-002	LM11949-TIM	Bearing Cone Timken
	LM11949	Bearing Cone Import
33-051-001	G1107KRRB-TIM	1-7/16" Extended bearing with collar Timken
33-051-003	WGPZ16	1" Pillow block
33-051-004	WGPZ23	1-7/16" Pillow block
33-051-005	WGPZ19	1-3/16" Pillow block
33-051-006	WGPZ14	7/8" Pillow block
33-051-007	RAK1-11/16-TIM	1-11/16" Pillow block



Bearing



Flangette



Bearing with Collar



Pillow Block



Oil Seal



Cup Timken



Cone Timken



## □ Bearings/Seals/Flangettes cont....

OEM Number	TISCO Number	Description
33-051-011	<b>WGTZ24</b>	1-1/2" 2 Bolt flange
33-051-012	<b>ER16-IMP</b>	1" Bearing with snap ring
	<b>ER16-TIM</b>	1" Bearing, with snap and setscrew locking
33-051-013	<b>HM88610-TIM</b>	Bearing Cup
33-051-014	<b>HM88630-TIM</b>	Bearing Cone Timken
33-051-015	<b>2631-TIM</b>	Bearing Cup Timken
	<b>2631-IMP</b>	Bearing Cup Import
33-051-016	<b>2690-TIM</b>	Bearing Cone Timken
33-051-018	<b>JLM506849-TIM</b>	Bearing Cone Timken
	<b>JLM506849-IMP</b>	Bearing Cone Import
33-051-021	<b>WGTZ20H-TIM</b>	1-1/4" 2 Bolt flange
	<b>WGTZ20H-IMP</b>	1-1/4" 2 Bolt flange
33-051-031	<b>GY1112KRRB</b>	1-3/4" Insert bearing with set screws extended
33-051-048	<b>WGPZ28</b>	1-3/4" Pillow block bearing
33-051-052	<b>G1014KRRB-TIM</b>	7/8" Insert bearing Timken
33-051-063	<b>G1104KRRB-TIM</b>	1-1/4" Insert bearing Timken
33-051-066	<b>WGPZ23</b>	1-7/16" Pillow block bearing
	<b>GRA014RRB</b>	7/8" Insert bearing for 33-051-006 (WGPZ14)
33-051-068	<b>G1112KRRB-TIM</b>	1 3/4" Bearing with collar, greaseable. Timken
	<b>G1112KRRB-IMP</b>	1 3/4" Bearing with collar, greaseable
33-051-072	<b>G1203KRRB-TIM</b>	2 3/16" Bearing, greaseable. Timken
	<b>G1203KRRB-IMP</b>	2 3/16" Bearing, greaseable
33-058-020	<b>3780-TIM</b>	Bearing Cone 2" bore
	<b>3780-IMP</b>	Bearing Cone 2" bore
33-059-333	<b>3720-TIM</b>	Bearing Cup, .937" width. Timken
	<b>3720-IMP</b>	Bearing Cup, .937" width



Bearing



Flangette



Pillow Block



Cup Timken



Cone Timken

## □ Roller Chain Drives DOMESTIC (Cut to Length)

OEM Number*	TISCO Number	Description
33-052-001	<b>33-052-001</b>	Drives 60H Chain 97 links + Connector
33-052-003	<b>33-052-003</b>	Drives 80H Chain 67 links + Connector
33-052-005	<b>33-052-005</b>	Drives 60H Chain 85 links + Connector
33-052-071	<b>33-052-071</b>	Drives 80H Chain 89 links + Connector + Offset



Chain

## □ Roller Chain IMPORT (Cut to Length)

OEM Number*	TISCO Number	Description
33-052-001IMP	<b>33-052-001IMP</b>	Import 60H Chain 97 links + Connector
33-052-003IMP	<b>33-052-003IMP</b>	Import 80H Chain 67 links + Connector
33-052-005IMP	<b>33-052-005IMP</b>	Import 60H Chain 85 links + Connector
33-052-071IMP	<b>33-052-071IMP</b>	Import 80H Chain 89 links + Connector + Offset



Chain



# Lilliston Peanut Combine Replacement Parts

## □ Bearings/Seals/Flangettes

OEM Number*	TISCO Number	Description
15-50-124	RA102RRB-TIM	1-1/8" Insert bearing Timken
15-50-252	G1107KRRB-TIM	1-7/16" Extended bearing Timken
15-50-253	G1112KRRB-TIM	1-3/4" Extended bearing Timken
500-01-687	RA107RRB	1-7/16" Insert bearing
500-01-688	GRA103RRB2-TIM	1-1/4" Relube insert bearing Timken
500-01-689	RA100RRB-TIM	1" Insert Bearing Timken
500-13-400	3585-TIM	Bearing Cone Timken
500-13-407	3525-TIM	Bearing Cup Timken
500-13-408	39520-TIM	Bearing Cup Timken
500-13-646	G1200KRRB-TIM	2" Extended bearing Timken
500-13-873	G1102KRRB	1-1/8" Extended bearing
500-14-065	G1106KRRB-TIM	Insert bearing with collar Timken
6050-089	RA108RRB-TIM	1-1/2" Insert bearing Timken
6050-118	G1103KRRB	1-3/16" Extended bearing



Bearing



Pillow Block



Cone Timken

## □ Peanut Teeth

OEM Number	TISCO Number	Description
15-50-002	15-50-002	Peanut Combine Tooth
15-50-003	15-50-003	Peanut Combine Tooth
15-50-004	15-50-004	Peanut Combine Tooth
15-50-286	15-50-286	Peanut Combine Tooth
60-50-226	60-50-226	Peanut Combine Tooth



Combine Tooth

## □ Gauge Wheel

OEM Number	TISCO Number	Description
066-50-001	DC2208	Gauge Wheel Assembly



Gauge Wheel Assembly

## □ Bearings/Seals/Flangettes

OEM Number*	TISCO Number	Description
1061	RA100RRB-TIM	1" Insert Bearing
3795	RA103RRB-TIM	1-3/16" Insert Bearing
5918	F372	72MM Flangette
5919	G1103KRRB	1-3/16" Extended Bearing
5923	RA014RRB-TIM	7/8" Insert Bearing
5934	453X-TIM	Bearing Cup Timken
5935	462-TIM	Bearing Cone Timken
5936	25520-TIM	Bearing Cup Timken
5937	25590-TIM	Bearing Cone Timken
5938	LM11910-TIM	Bearing Cup Timken
5939	LM11949-TIM	Bearing Cone Timken
6585	202NPP9-TIM	Cam Follower Bearing
6585	202NPP9-IMP	Cam Follower Bearing
	RCTWK-3	Wheel Bearing Kit for Gauge Wheel



Bearing with Collar



Oil Seal



Cup Timken

## □ Peanut Teeth

OEM Number*	TISCO Number	Description
1080	1080	Peanut Combine Tooth
19441GR	19441GR	Peanut Combine Tooth



Combine Tooth



# Other Peanut Teeth & Drivelines

## □ Drivelines



OEM Number*	TISCO Number	Description
AE59635	<b>19503506</b>	CV Half shaft. Tractor half 1-3/8" x 6 spline
T14507660	<b>93-14517660</b>	CV Half shaft. Tractor half 1-3/8" x 6 spline; w/ 1-3/8" x 6 spline implement yoke
WS25001386SP	<b>93-14007955</b>	Waltescheid 2500 Series tractor half with 1-3/8" 6 spline
WS250013821SP	<b>93-14017955</b>	Waltescheid 2500 Series tractor half with 1-3/8" 21 spline
WS250017520SP	<b>93-14027955</b>	Waltescheid 2500 Series tractor half with 1-3/4" 20 spline
55N3602	<b>92-14505555</b>	Std 55 Series Imp half shaft with 1-3/8" 6 spline clamp style yoke
55N3604	<b>92-14515555</b>	Std 55 Series Imp half shaft with 1-3/4" 20 spline clamp style yoke

## □ Peanut Teeth

OEM Number*	TISCO Number	Description
6441	<b>6441</b>	Peanut Combine Tooth -- Long
6588H	<b>6588H</b>	Peanut Combine Tooth -- Long
6589	<b>6589</b>	Peanut Combine Tooth -- Long
1080	<b>1080</b>	Peanut Combine Tooth
19441GR	<b>19441GR</b>	Peanut Combine Tooth
L02C	<b>L02C</b>	Peanut Combine Tooth



Combine Tooth



**Pull Type Combines**

511 ..... 12-13  
 520, 522, 522A, 525, 525W..... 14-15  
 8557 ..... 16-17  
 9097, 9297, 9597, 9797, 9897..... 18-19  
 9797T, 9897T, 9997T, 9998F..... 20-21  
 9997A, 9997B, 9997E, 9997F ..... 22-23  
 M2I00D/M9997T, M2I00A/M9997A, M2I00D/M2I00T ..... 24-25  
 2108, 2110 ..... 26-27

**Self Propelled Combines**

9665, 9865, 9965A..... 28-29  
 9900, A9900, 9960..... 30-31  
 9970 ..... 32-33

**Digger, Shaker, Inverter**

600, 622, 625, 660..... 34-35  
 662, 663..... 34-35

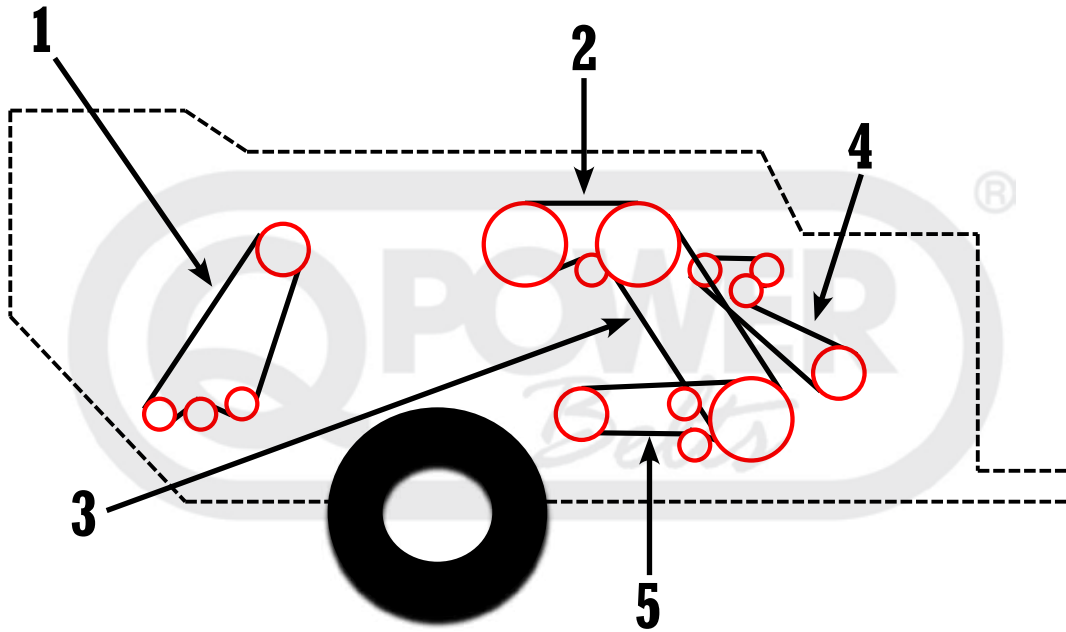
© Quality Power Products 2011

The use of the original manufacturers part numbers, e.g. CASE and JOHN DEERE, are for reference purposes only - the parts offered are not original manufacturers parts. Quality Power Products, Inc., sells replacement parts for use in the equipment of various manufacturers. Quality Power Products, Inc., and the belts contained herein are not sponsored, affiliated, or otherwise connected in any way with the equipment manufacturers named in this catalog.

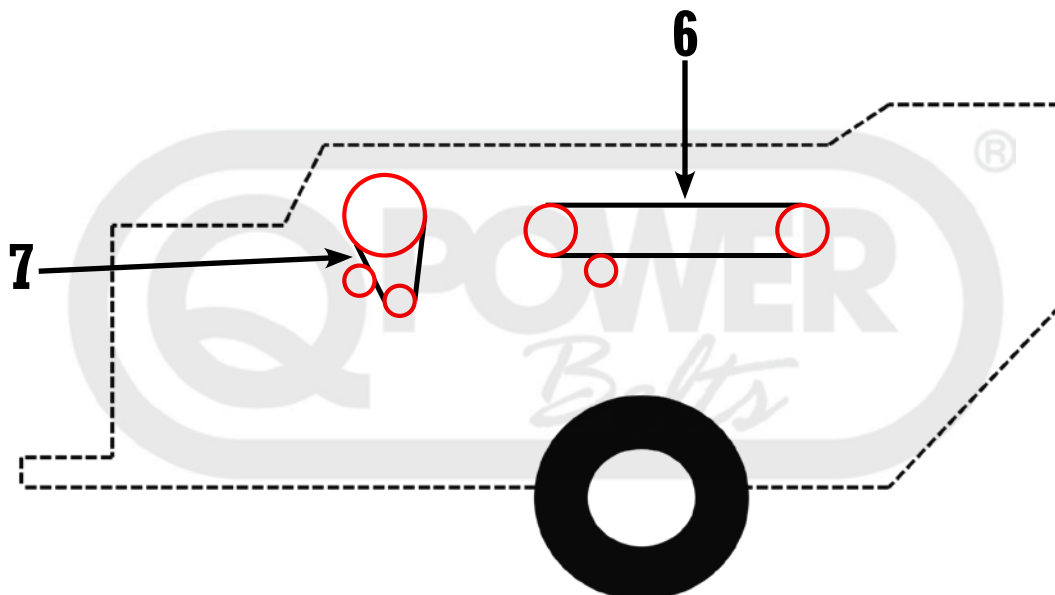


Amadas®

Right Hand View



Left Hand View





## □ Amadas® 511

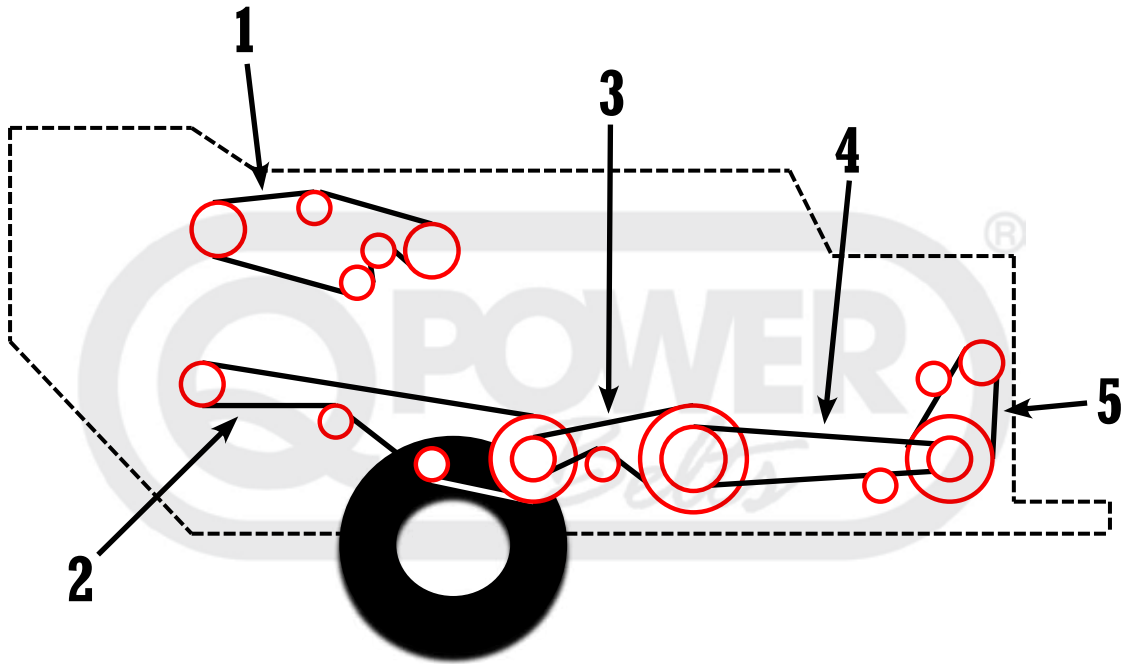
Id	Part Number	Description	Application
1	QPBB128	STEMMER DRIVE	511
2	QPC88	CYLINDER DRIVE - 4TH	511
3	QPC144	CYLINDER DRIVE - 3RD	511
4	QPBB128	INFEEDE TABLE DRIVE	511
5	QPB112	CLEANING FAN DRIVE - PRIMARY	511
6	QPB144	CYLINDER DRIVE - FLUFFER	511
7	QP4L560	FAN DRIVE - RECLEANER	511

The use of the original manufacturers part numbers, e.g. CASE and JOHN DEERE, are for reference purposes only - the parts offered are not original manufacturers parts. Quality Power Products, Inc., sells replacement parts for use in the equipment of various manufacturers. Quality Power Products, Inc., and the belts contained herein are not sponsored, affiliated, or otherwise connected in any way with the equipment manufacturers named in this catalog.

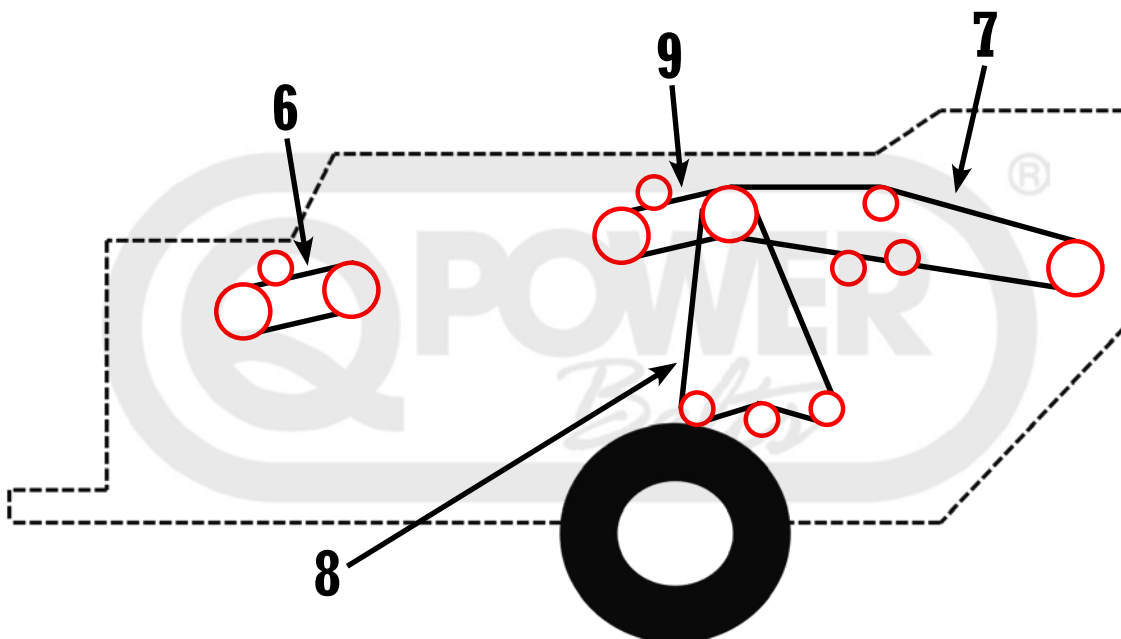


Amadas®

Right Hand View



Left Hand View







## □ Amadas® 520, 522, 522A, 525, 525W

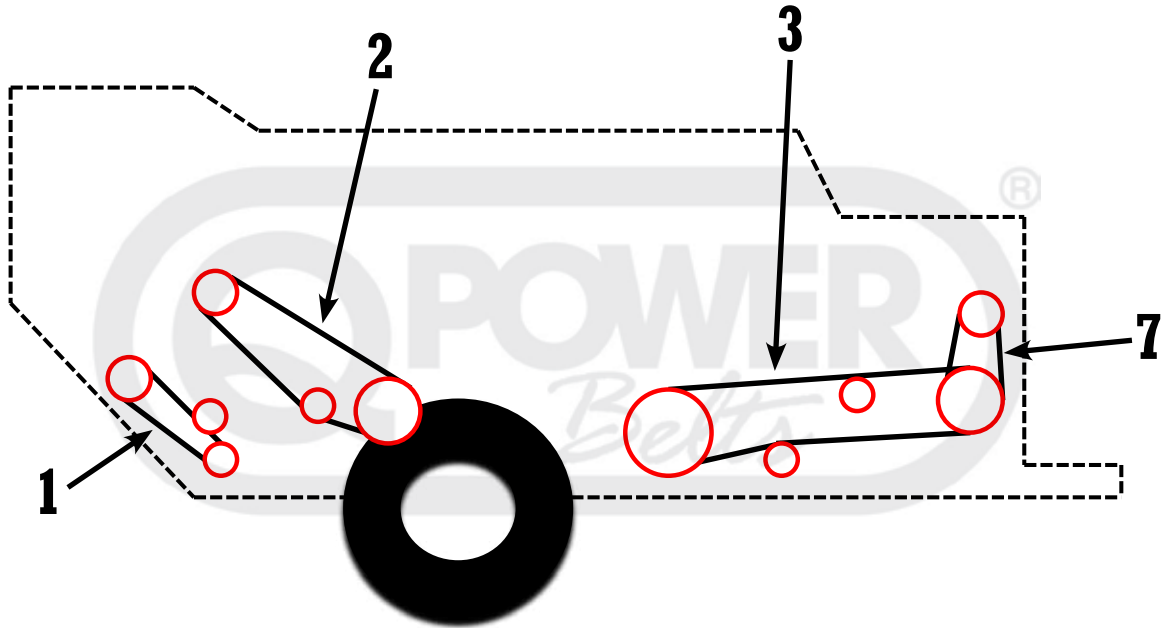
Id	Part Number	Description	Application
1 1	QP4069 QPB136	STRAW RACK DRIVE STRAW RACK DRIVE	520, 522 522A, 525, 525W
2 2 2	QP4001 QP4069 QPB136	PNEUMATIC CONVEYOR DRIVE PNEUMATIC CONVEYOR DRIVE PNEUMATIC CONVEYOR DRIVE	520, 522 (1st edition) 522 (2nd edition and above) 522A, 525, 525W
3 3 3	QP4068 QP4180 QPC112	FAN DRIVE - CLEANING FAN DRIVE - CLEANING FAN DRIVE - CLEANING	520 522 522A, 525, 525W
4 4 4 4	QP4066 QPC144 QPC144 QPC148	MAIN DRIVE MAIN DRIVE MAIN DRIVE (USE ONLY W/ 545 RPM SET UP) MAIN DRIVE (USE ONLY W/ 1000 RPM SET UP)	520, 522 522A (2nd edition) 522A (3rd and 4th edition), 525, 525W 522A (3rd and 4th edition), 525, 525W
5 5	QP4185 QP3570	PUMP DRIVE PUMP DRIVE	522 522A, 525, 525W
6 6	QP4067 QP4008	FEEDER DRIVE FEEDER DRIVE	520 (Verify your part number) 520 (Verify your part number)
7 7 7	QP4073 QP4179 QPB158	VINE SPREADER DRIVE VINE SPREADER DRIVE VINE SPREADER DRIVE	520 522 522A
8 8 8	QP4070 QP4184 QPBB128	STEMMER DRIVE STEMMER DRIVE STEMMER DRIVE	520 522 522A, 525, 525W
9 9	QPB48 QPB43	BELT DRIVE BELT DRIVE	522A (2nd edition) 522A (3rd edition)

The use of the original manufacturers part numbers, e.g. CASE and JOHN DEERE, are for reference purposes only - the parts offered are not original manufacturers parts. Quality Power Products, Inc., sells replacement parts for use in the equipment of various manufacturers. Quality Power Products, Inc., and the belts contained herein are not sponsored, affiliated, or otherwise connected in any way with the equipment manufacturers named in this catalog.

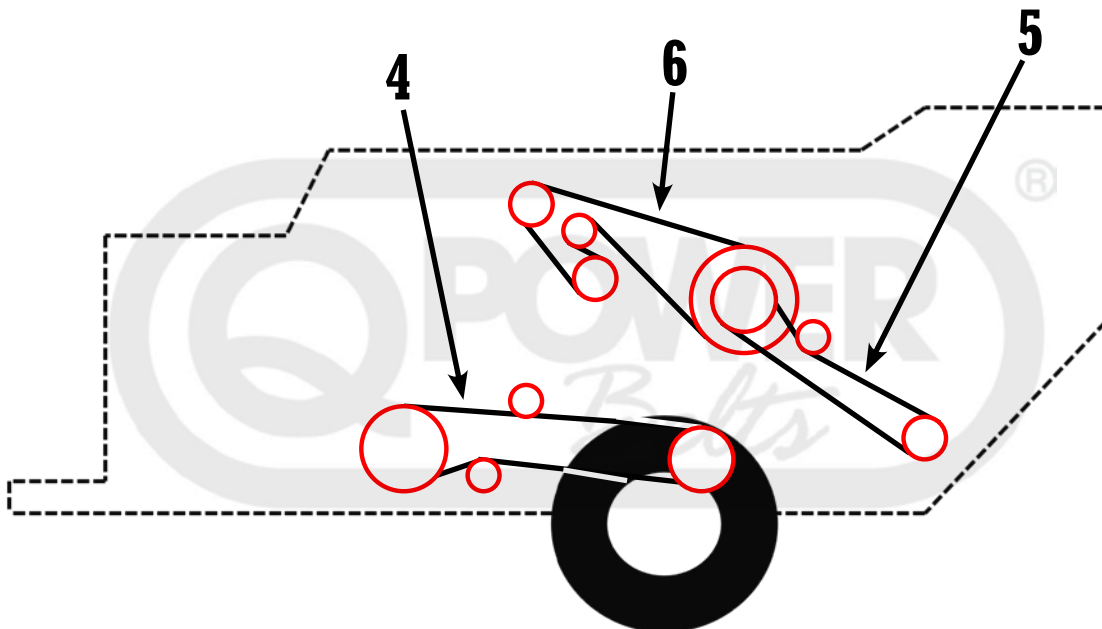


Amadas®

Right Hand View



Left Hand View





## □ Amadas® 8557

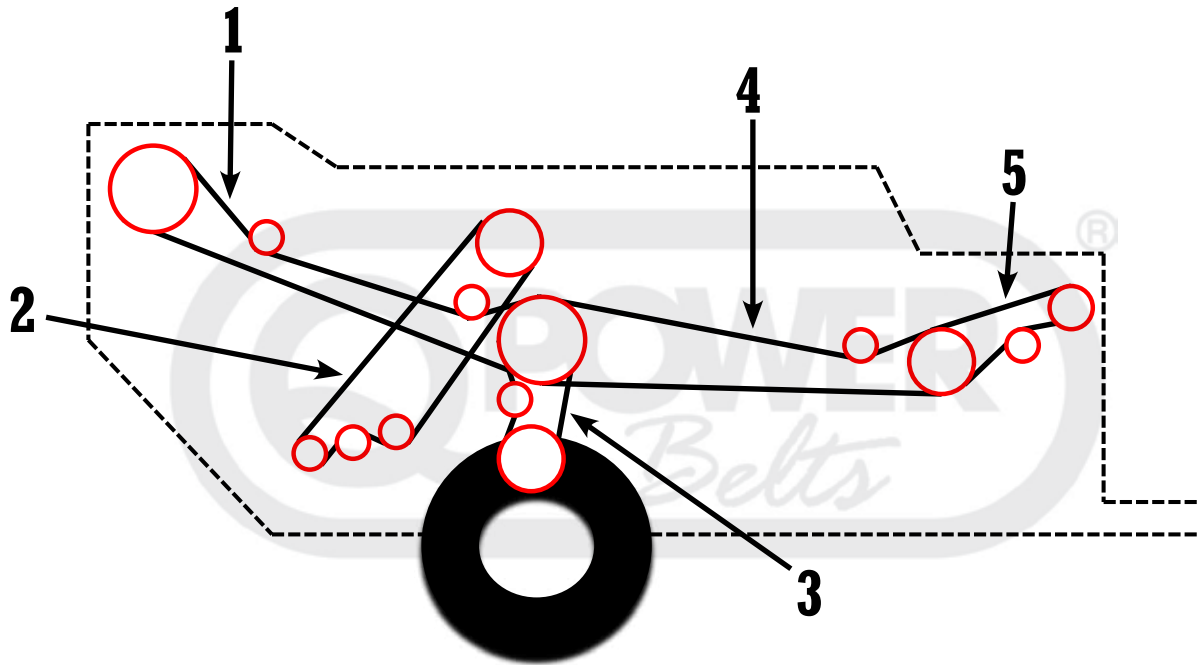
Id	Part Number	Description	Application
1	QPA66	BELT DRIVE	8557 (S/N 23273-23381)
2	QPB108	PNEUMATIC CONVEYOR DRIVE	8557
3	QPC158	COUNTERSHAFT DRIVE	8557
4	QPC180	FAN DRIVE - CLEANING	8557
5	QPB112	STEMMER SAW DRIVE	8557
6	QPBB144	STRAWWALKER DRIVE	8557
7	QPB54	HYDRAULIC PUMP DRIVE	8557 (S/N 27439-27521)
7	QPB54	HYDRAULIC PUMP DRIVE	8557 (S/N A01001-A01100)
7	QPB54	HYDRAULIC PUMP DRIVE	8557 (S/N A28439-A29128)

The use of the original manufacturers part numbers, e.g. CASE and JOHN DEERE, are for reference purposes only - the parts offered are not original manufacturers parts. Quality Power Products, Inc., sells replacement parts for use in the equipment of various manufacturers. Quality Power Products, Inc., and the belts contained herein are not sponsored, affiliated, or otherwise connected in any way with the equipment manufacturers named in this catalog.

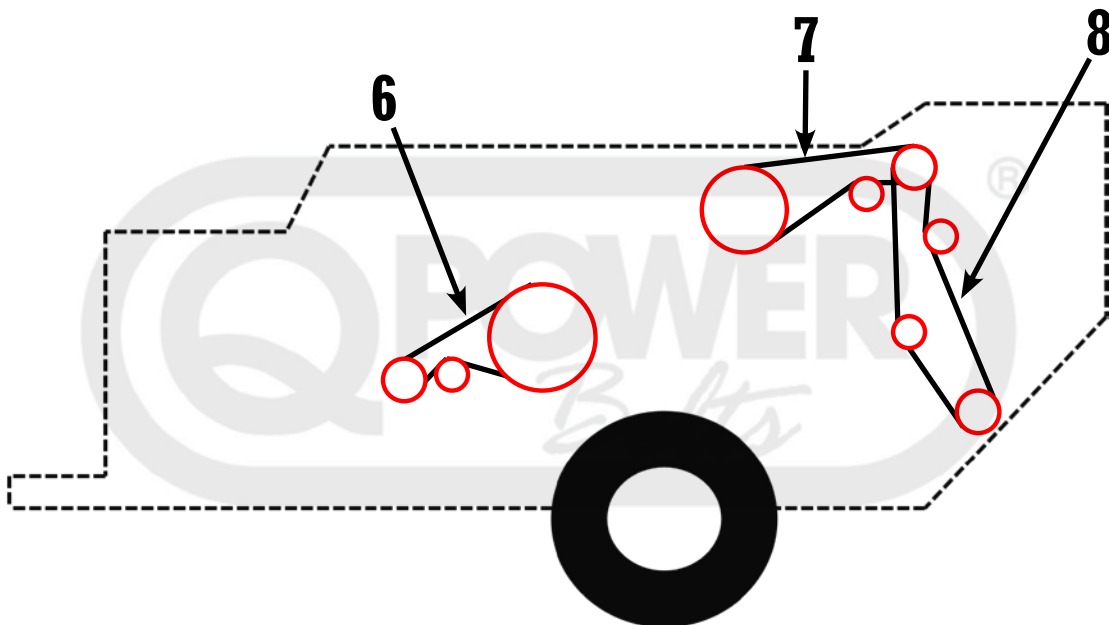


Amadas®

Right Hand View



Left Hand View





## □ Amadas® 9097, 9297, 9597, 9797, 9897

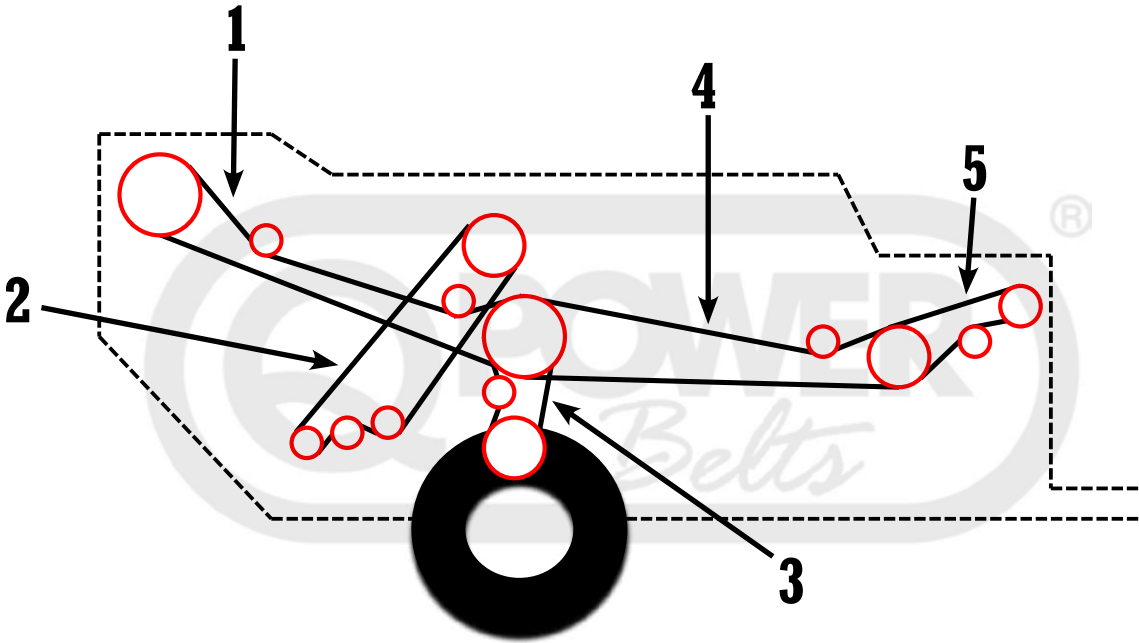
Id	Part Number	Description	Application
1	<b>QPC285</b>	BELT DRIVE	9097, 9297, 9597, 9797, 9897
2	<b>QPBB144</b>	BELT DRIVE	9097, 9297, 9597, 9797, 9897
3	<b>QPC105</b>	BELT DRIVE	9097, 9297 (Prior to S/N A32022)
3	<b>QPCX101</b>	BELT DRIVE	9297 (S/N A32022 & above), 9597, 9797, 9897
4	<b>QP4C240</b>	BELT DRIVE	9097, 9297, 9597, 9797, 9897
5	<b>QPB105</b>	BELT DRIVE	9097, 9297, 9597, 9797, 9897
6	<b>QP2BX112</b>	BELT DRIVE	9097, 9297 (Prior to S/N A30478)
6	<b>QP2BX112</b>	BELT DRIVE (4 ROW)	9297 (S/N A31001 & above)
6	<b>QP2GBB124</b>	BELT DRIVE (6 ROW)	9297 (S/N A31001 & above)
6	<b>QPBX124</b>	BELT DRIVE	9597, 9797, 9897
7	<b>QP2B116</b>	BELT DRIVE	9097, 9297, 9597, 9797
8	<b>QP2B136</b>	BELT (BANDED BELT) USE W/OPT. VINE SPREADER	9097
8	<b>QP2B136</b>	BELT (BANDED BELT) USE W/OPT. VINE SPREADER	9297, 9597, 9797
8	<b>QPB136</b>	BELT (SINGLE BELT) USE W/OPT. VINE SPREADER	9797, 9897

The use of the original manufacturers part numbers, e.g. CASE and JOHN DEERE, are for reference purposes only - the parts offered are not original manufacturers parts. Quality Power Products, Inc., sells replacement parts for use in the equipment of various manufacturers. Quality Power Products, Inc., and the belts contained herein are not sponsored, affiliated, or otherwise connected in any way with the equipment manufacturers named in this catalog.

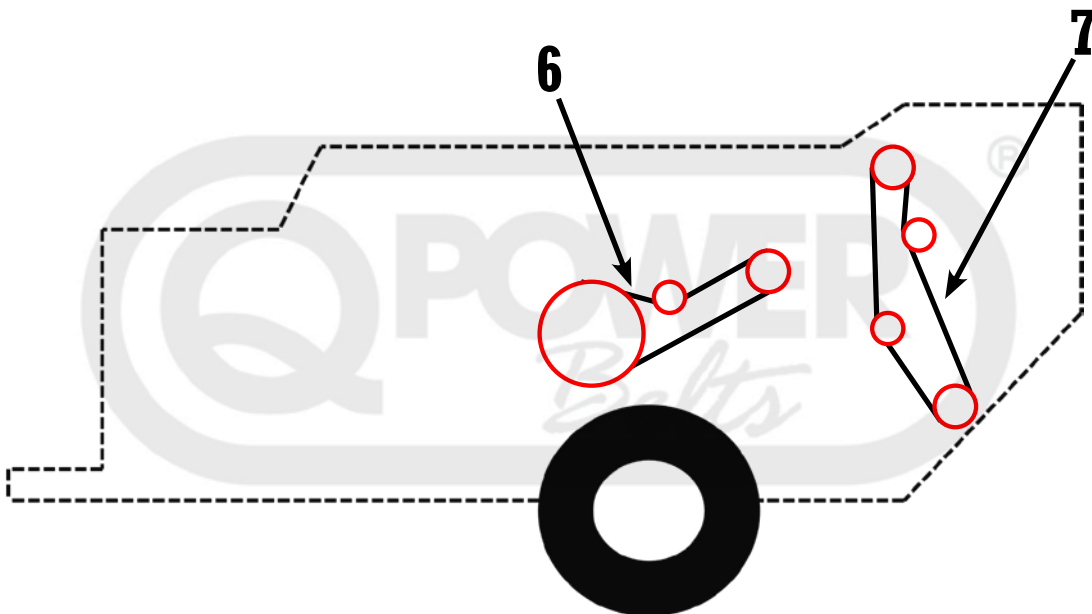


Amadas®

Right Hand View



Left Hand View





□ **Amadas® 9797T, 9897T, 9997T, 9998F**

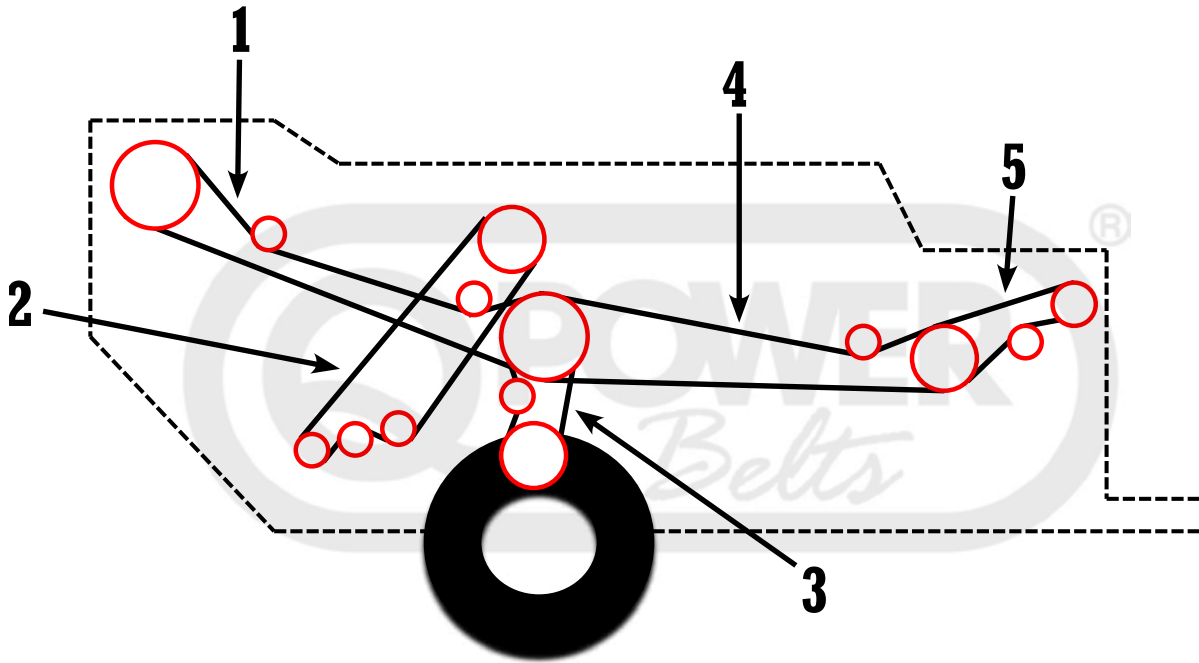
<b>Id</b>	<b>Part Number</b>	<b>Description</b>	<b>Application</b>
1	<b>QPC285</b>	BELT DRIVE	9797T, 9897T, 9997T, 9998F
2	<b>QPBB155</b>	BELT DRIVE	9797T, 9897T, 9997T 9998F
2	<b>QPBB144</b>	BELT DRIVE	
3	<b>QPCX101</b>	BELT DRIVE	9797T, 9897T, 9997T, 9998F
4	<b>QP4C240</b>	BELT DRIVE	9797T, 9897T, 9997T, 9998F
5	<b>QPB105</b>	BELT DRIVE	9797T, 9897T, 9997T
6	<b>QP2B180</b>	BELT DRIVE	9797T, 9897T, 9997T 9998F
6	<b>QPBX124</b>	BELT DRIVE	
7	<b>QPB136</b>	BELT DRIVE (USE W/OPT. VINE SPREADER)	9797T, 9897T, 9997T, 9998F

The use of the original manufacturers part numbers, e.g. CASE and JOHN DEERE, are for reference purposes only - the parts offered are not original manufacturers parts. Quality Power Products, Inc., sells replacement parts for use in the equipment of various manufacturers. Quality Power Products, Inc., and the belts contained herein are not sponsored, affiliated, or otherwise connected in any way with the equipment manufacturers named in this catalog.

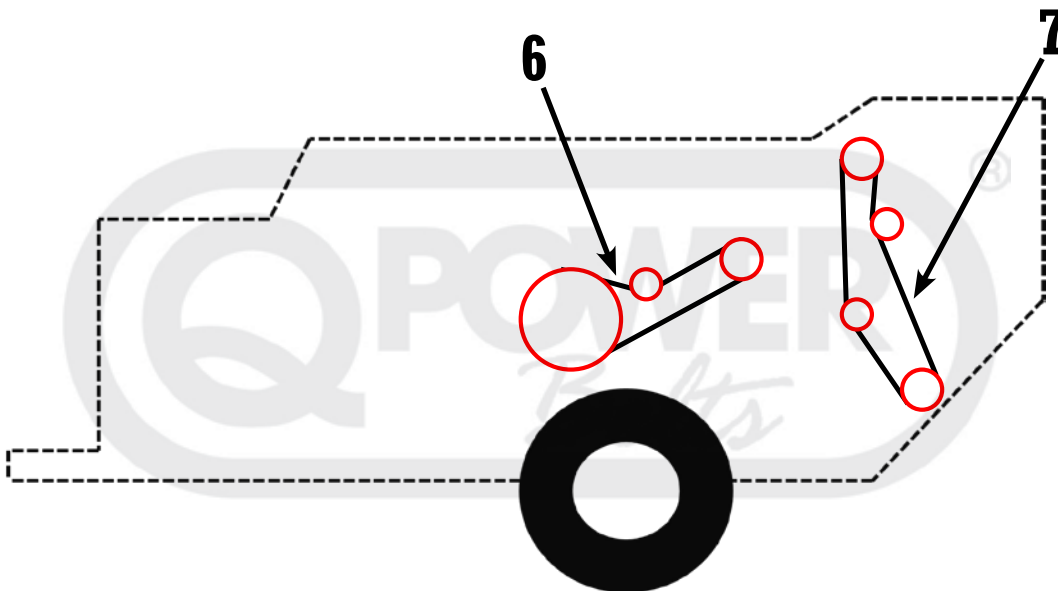


Amadas®

Right Hand View



Left Hand View







□ **Amadas® 9997A, 9997B, 9997E, 9997F**

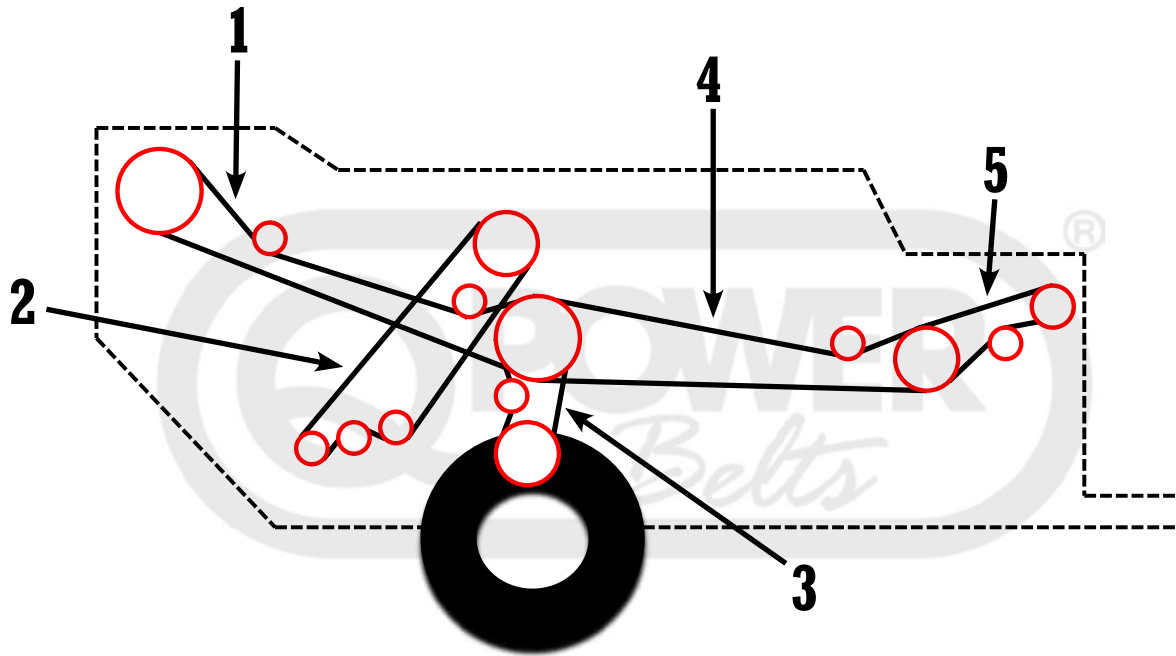
Id	Part Number	Description	Application
1	<b>QPC285</b>	BELT DRIVE	9997A, 9997B, 9997E, 9997F
2	<b>QPBB155</b>	BELT DRIVE	9997A, 9997B
2	<b>QPBB144</b>	BELT DRIVE	9997E, 9997F
3	<b>QPCX101</b>	BELT DRIVE	9997A, 9997B, 9997E, 9997F
4	<b>QP4C240</b>	BELT DRIVE	9997A, 9997B, 9997E, 9997F
5	<b>QPB105</b>	BELT DRIVE	9997A, 9997B, 9997E, 9997F (Prior to S/N 420000)
6	<b>QP2B180</b>	BELT DRIVE	9997A, 9997B
6	<b>QPBX124</b>	BELT DRIVE	9997E, 9997F
7	<b>QPB136</b>	BELT DRIVE (USE W/OPT. VINE SPREADER)	9997A, 9997B, 9997E, 9997F

The use of the original manufacturers part numbers, e.g. CASE and JOHN DEERE, are for reference purposes only - the parts offered are not original manufacturers parts. Quality Power Products, Inc., sells replacement parts for use in the equipment of various manufacturers. Quality Power Products, Inc., and the belts contained herein are not sponsored, affiliated, or otherwise connected in any way with the equipment manufacturers named in this catalog.

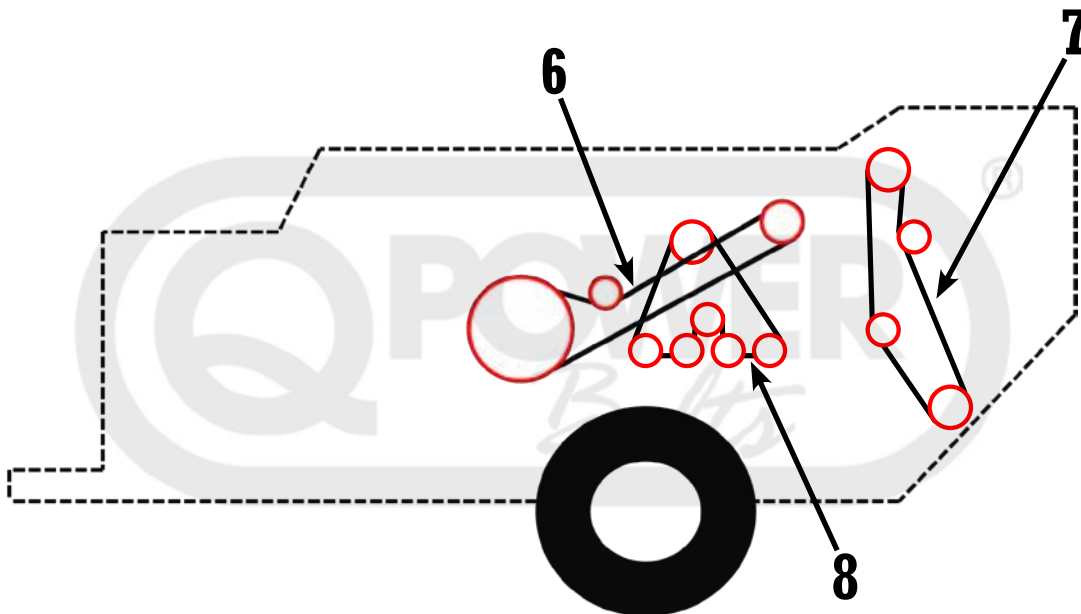


Amadas®

Right Hand View



Left Hand View





**□ Amadas® M2100D/M9997T, M2100A/M9997A, M2100D/M2100T**

Id	Part Number	Description	Application
1	QPC285	BELT DRIVE	M2100D/M9997T, M2100A/M9997A, M2100D/M2100T
2	QPBB155	BELT DRIVE	M2100D/M9997T, M2100A/M9997A, M2100D/M2100T
3	QPCX101	BELT DRIVE	M2100D/M9997T, M2100A/M9997A, M2100D/M2100T
4	QP4C240	BELT DRIVE	M2100D/M9997T, M2100A/M9997A, M2100D/M2100T
5	QPB105	BELT DRIVE	M2100D/M9997T, M2100A/M9997A
5	QPB105	BELT DRIVE	M2100D/M2100T (S/N 410000-419999)
6	QP2B180	BELT DRIVE	M2100D/M9997T, M2100A/M9997A, M2100D/M2100T
7	QPB136	BELT DRIVE (USE W/OPT. VINE SPREADER)	M2100D/M9997T, M2100A/M9997A, M2100D/M2100T
8	QPB116	BELT DRIVE	M2100D/M2100T (S/N 420000-429999)

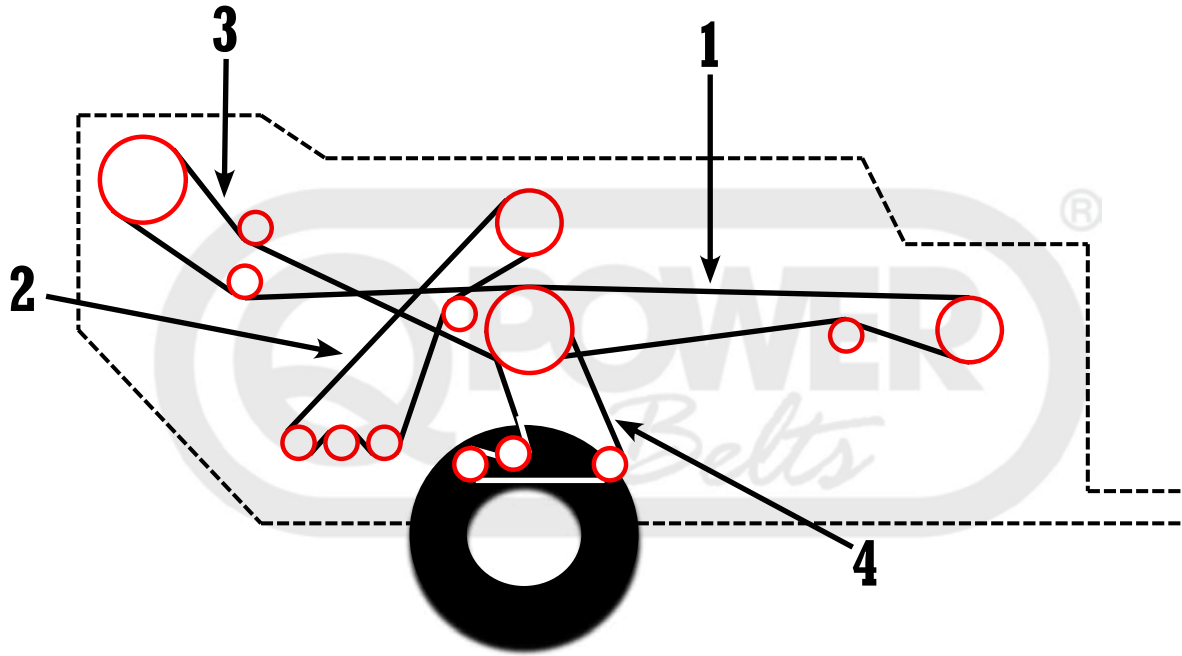
© Quality Power Products 2011

The use of the original manufacturers part numbers, e.g. CASE and JOHN DEERE, are for reference purposes only - the parts offered are not original manufacturers parts. Quality Power Products, Inc., sells replacement parts for use in the equipment of various manufacturers. Quality Power Products, Inc., and the belts contained herein are not sponsored, affiliated, or otherwise connected in any way with the equipment manufacturers named in this catalog.

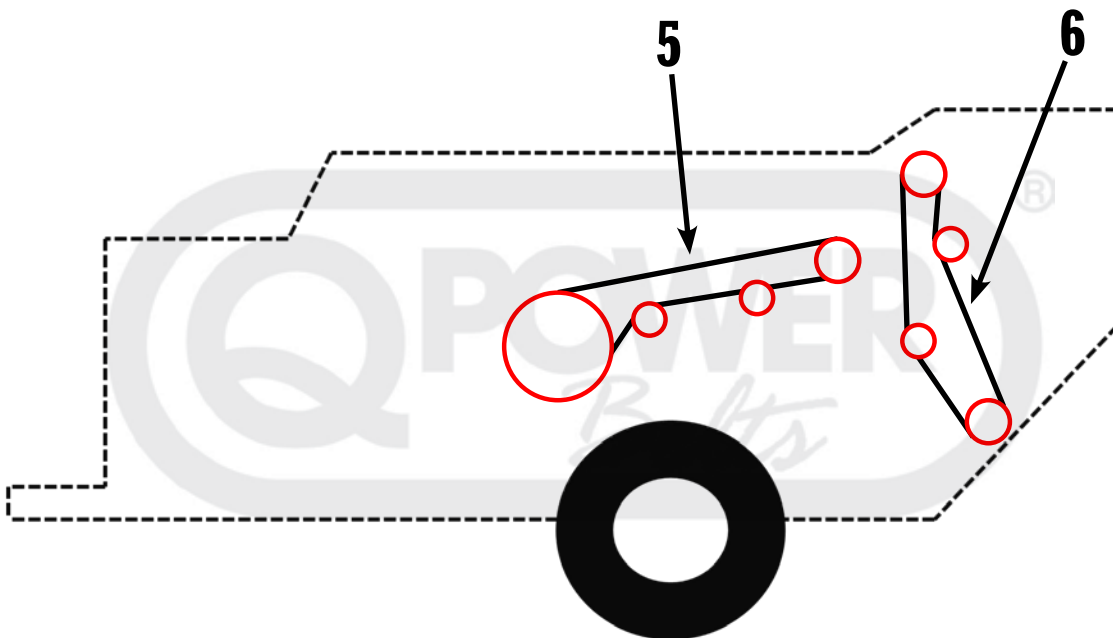


Amadas®

Right Hand View



Left Hand View



© Quality Power Products 2011



## □ Amadas® 2108, 2110

Id	Part Number	Description	Application
1	QP4C240	BELT DRIVE	2108, 2110
2	QPBB155	BELT DRIVE	2108, 2110
3	QPC285	BELT DRIVE	2108, 2110
4	QPCC158	BELT DRIVE	2108, 2110
5	QP3B240	BELT DRIVE	2108, 2110
6	QPB136	BELT DRIVE (USE W/OPT. VINE SPREADER)	2108, 2110

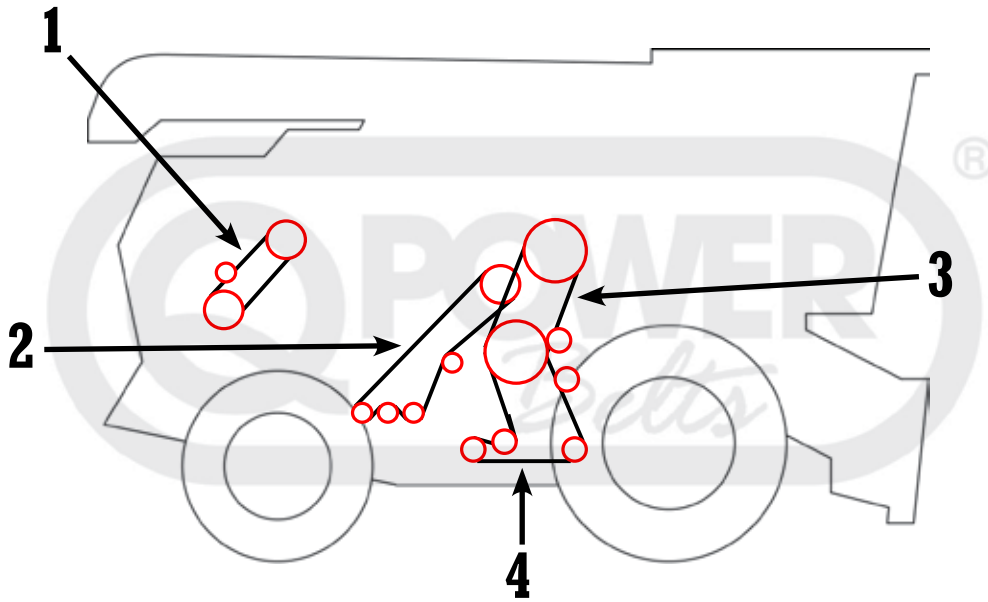


Amadas® 9665, 9865, 9965A

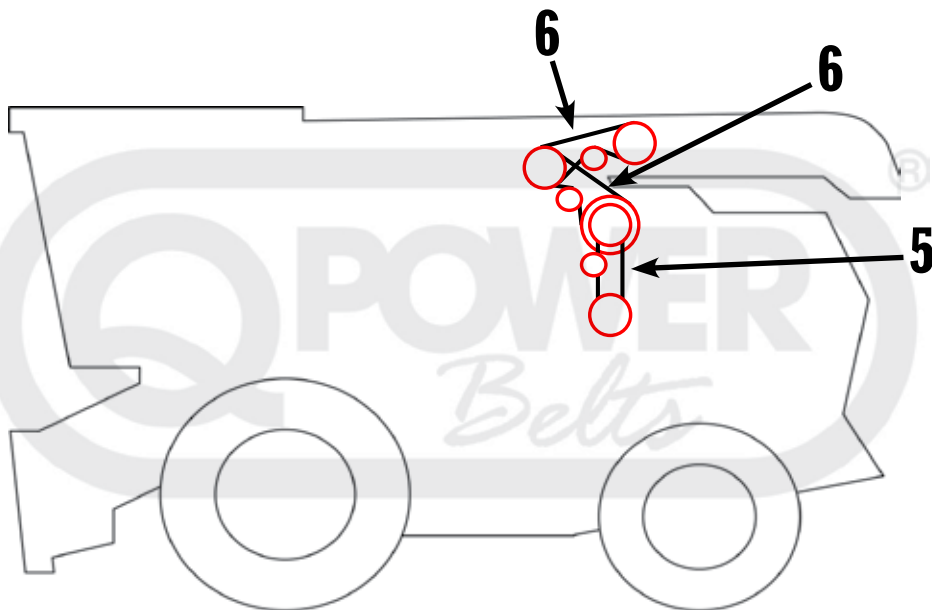


Amadas®

Right Hand View



Left Hand View



© Quality Power Products 2011



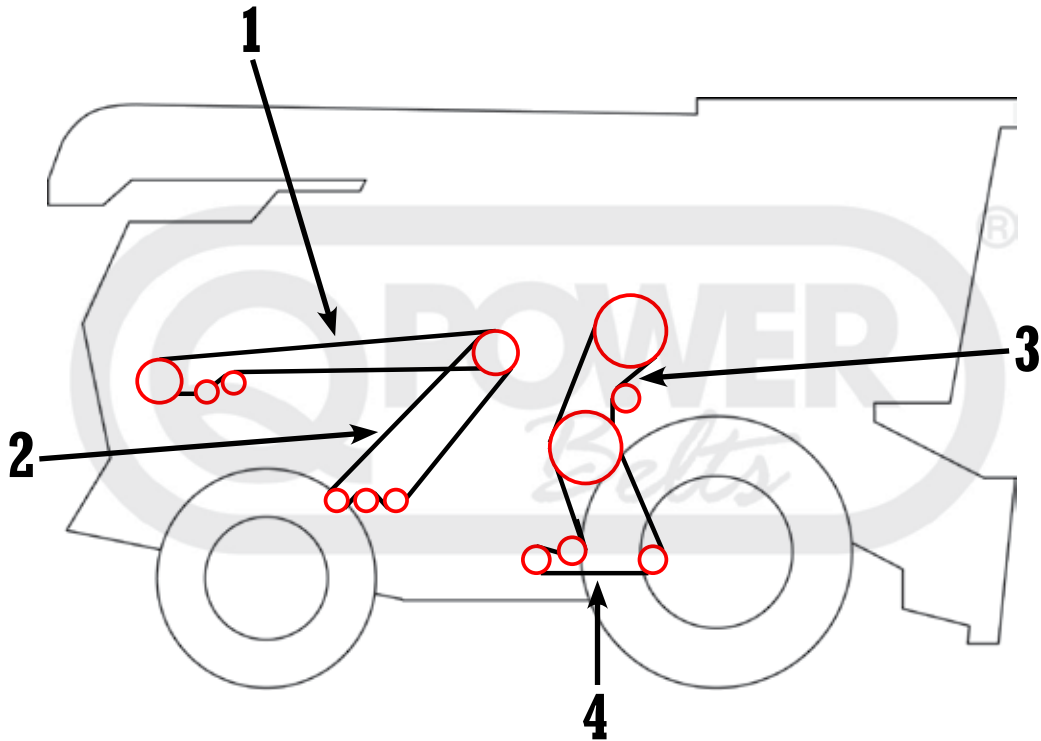
## □ Amadas® 9665, 9865, 9965A

Id	Part Number	Description	Application
1	QPB93	BELT DRIVE	9665
1	QPB91	BELT DRIVE	9865, 9965A
2	QPBB144	BELT DRIVE	9665, 9865, 9965A
3	QP3C148	BELT DRIVE	9665, 9865
3	QP4C148	BELT DRIVE	9965A
4	QPCC240	BELT DRIVE	9665, 9865
4	QPCC158	BELT DRIVE	9965A
5	QP2B77	BELT DRIVE	9665
5	QP2B85	BELT DRIVE	9865, 9965A
6	QPC75	BELT DRIVE	9665, 9665A, 9865

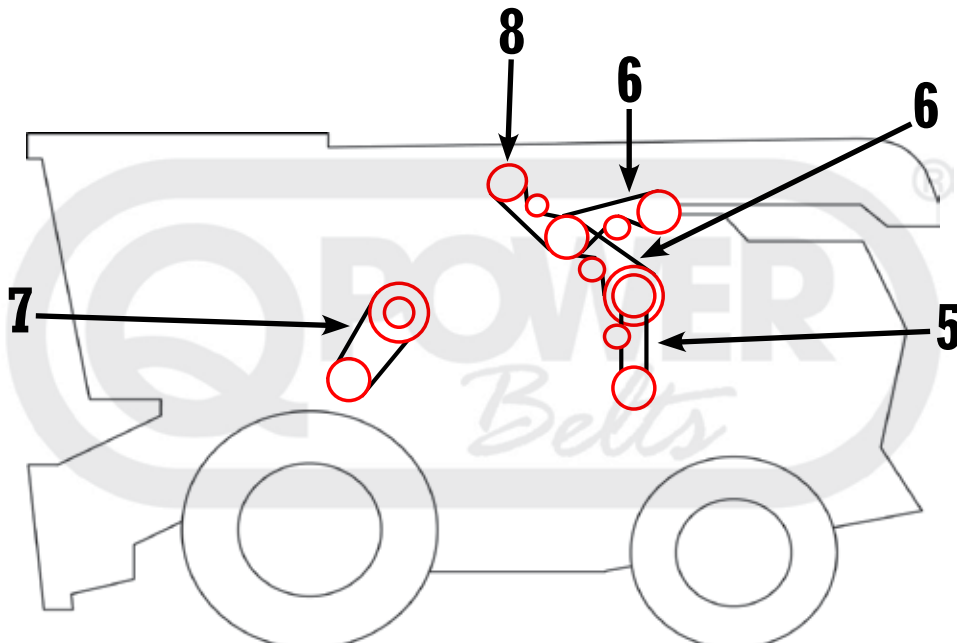


Amadas®

Right Hand View



Left Hand View



© Quality Power Products 2011





## □ Amadas® 9900, A9900, 9960

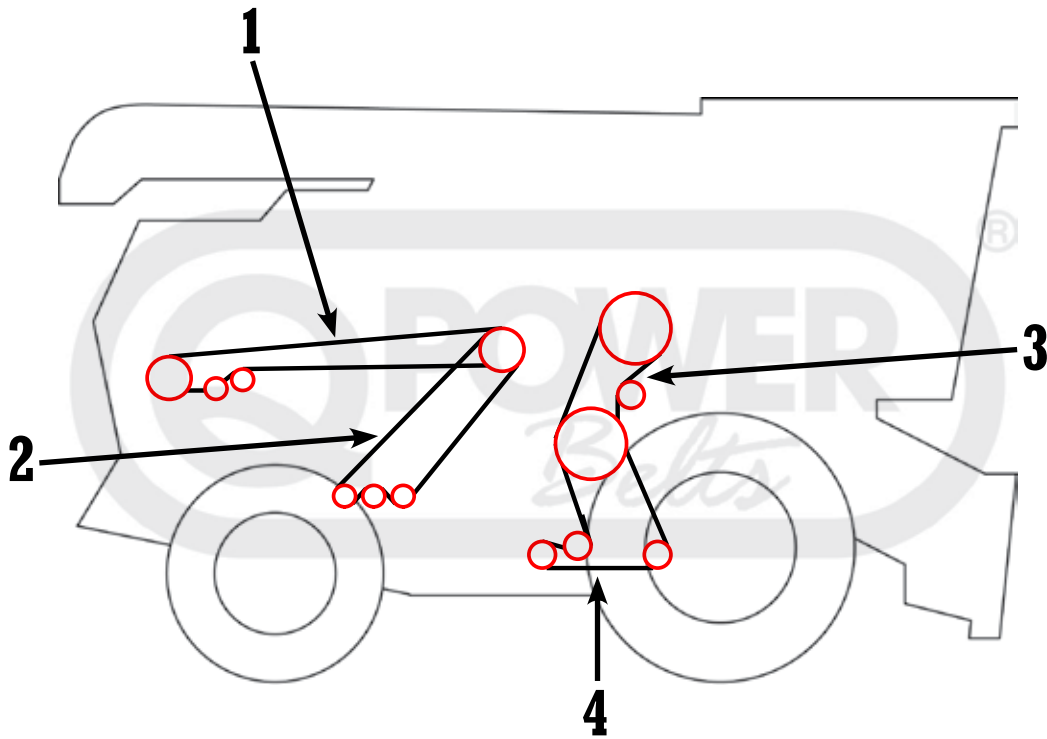
Id	Part Number	Description	Application
1	QPB225	BELT DRIVE FOR VINE SPREADER	9900, A9900, 9960
2	QPBB144	BELT DRIVE	9900, A9900, 9960
3	QP4C148	BELT DRIVE	9900, A9900, 9960
4	QPCC158	BELT DRIVE	9900, A9900, 9960
5	QP2B85	BELT DRIVE	9900, A9900, 9960 (Prior to S/N 420000)
5	QP3B85	BELT DRIVE	9960 (S/N 420000 & above)
6	QPC75	BELT DRIVE	9900, A9900, 9960
7	QP4878	BELT DRIVE (VARIABLE SPEED)	9900, A9900, 9960
8	QPC68	BELT DRIVE	9960 (Prior to S/N 420000)
8	QPC67	BELT DRIVE	9960 (S/N 420000 & above)

The use of the original manufacturers part numbers, e.g. CASE and JOHN DEERE, are for reference purposes only - the parts offered are not original manufacturers parts. Quality Power Products, Inc., sells replacement parts for use in the equipment of various manufacturers. Quality Power Products, Inc., and the belts contained herein are not sponsored, affiliated, or otherwise connected in any way with the equipment manufacturers named in this catalog.

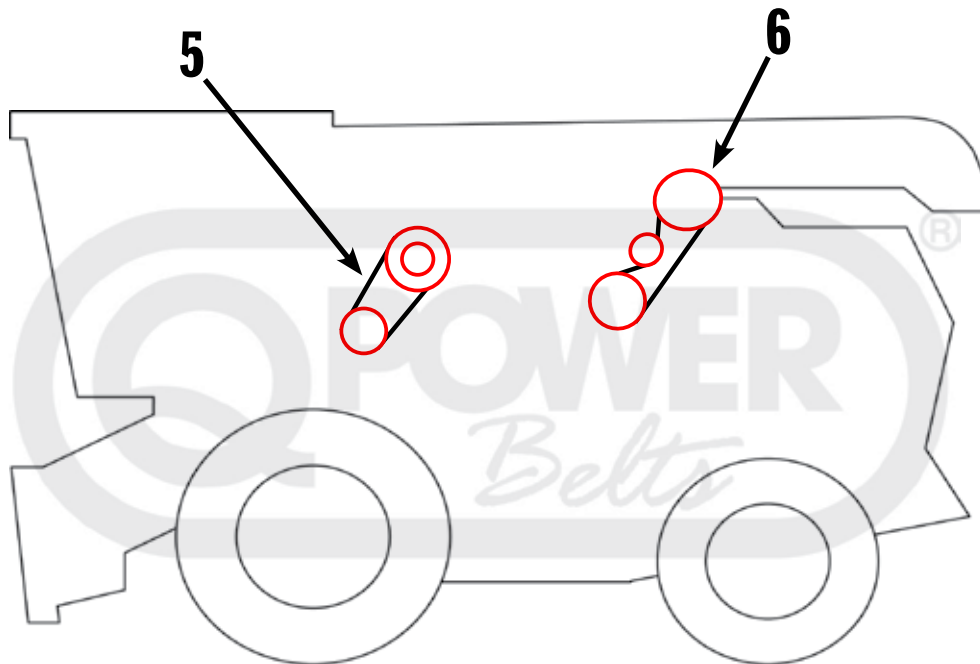


Amadas®

Right Hand View



Left Hand View





## □ Amadas® 9970

Id	Part Number	Description	Application
1	QP225	BELT DRIVE	9970
2	QPBB144	BELT DRIVE	9970
3	QP4C148	BELT DRIVE	9970
4	QPCC158	BELT DRIVE	9970
5	QP4878	BELT DRIVE (VARIABLE SPEED)	9970
6	QP3GBCX100	BELT DRIVE	9970

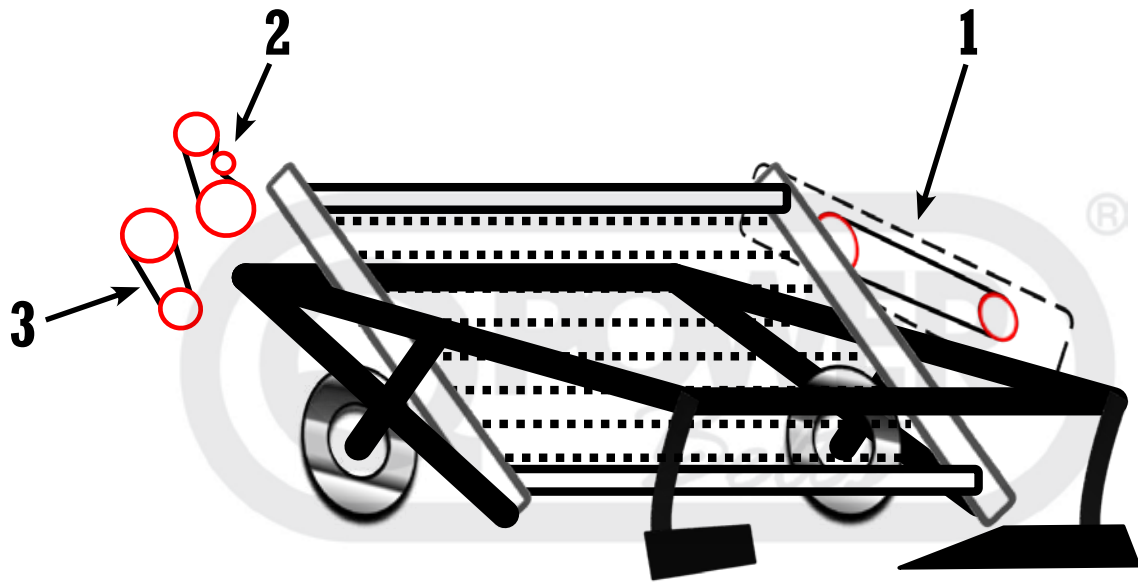
The use of the original manufacturers part numbers, e.g. CASE and JOHN DEERE, are for reference purposes only - the parts offered are not original manufacturers parts. Quality Power Products, Inc., sells replacement parts for use in the equipment of various manufacturers. Quality Power Products, Inc., and the belts contained herein are not sponsored, affiliated, or otherwise connected in any way with the equipment manufacturers named in this catalog.



# Amadas<sup>®</sup> Digger, Shaker, Inverter



Amadas<sup>®</sup>





## □ Amadas® Digger, Shaker, Inverter

Id	Part Number	Description	Application
NI	<b>QP4007</b>	DIGGER/INVERTER BELT	600
NI	<b>QP2B128</b>	DIGGER BELT	622
NI	<b>QP4001</b>	DIGGER/INVERTER BELT	660
NI	<b>QPC158</b>	DIGGER CONVEYOR MAIN DRIVE	625
NI	<b>QPB55</b>	INVERTER DRIVE BELT	625
NI	<b>QP4087</b>	INVERTER DRIVE BELT	662, 663
NI	<b>QP4107</b>	DIGGER BELT	662, 663

NI - Not Illustrated

The use of the original manufacturers part numbers, e.g. CASE and JOHN DEERE, are for reference purposes only - the parts offered are not original manufacturers parts. Quality Power Products, Inc., sells replacement parts for use in the equipment of various manufacturers. Quality Power Products, Inc., and the belts contained herein are not sponsored, affiliated, or otherwise connected in any way with the equipment manufacturers named in this catalog.





**Combines**

3300, 3350 .....	38-39
3355, 3360 .....	40-41
3374, 3376 .....	42-43

**Inverter**

6-31, 6-36, 6-38, 6-40 .....	44-45
------------------------------	-------

**Vine Conditioner & Lifter**

03-Series .....	44-45
-----------------	-------

© Quality Power Products 2011

The use of the original manufacturers part numbers, e.g. CASE and JOHN DEERE, are for reference purposes only - the parts offered are not original manufacturers parts. Quality Power Products, Inc., sells replacement parts for use in the equipment of various manufacturers. Quality Power Products, Inc., and the belts contained herein are not sponsored, affiliated, or otherwise connected in any way with the equipment manufacturers named in this catalog.

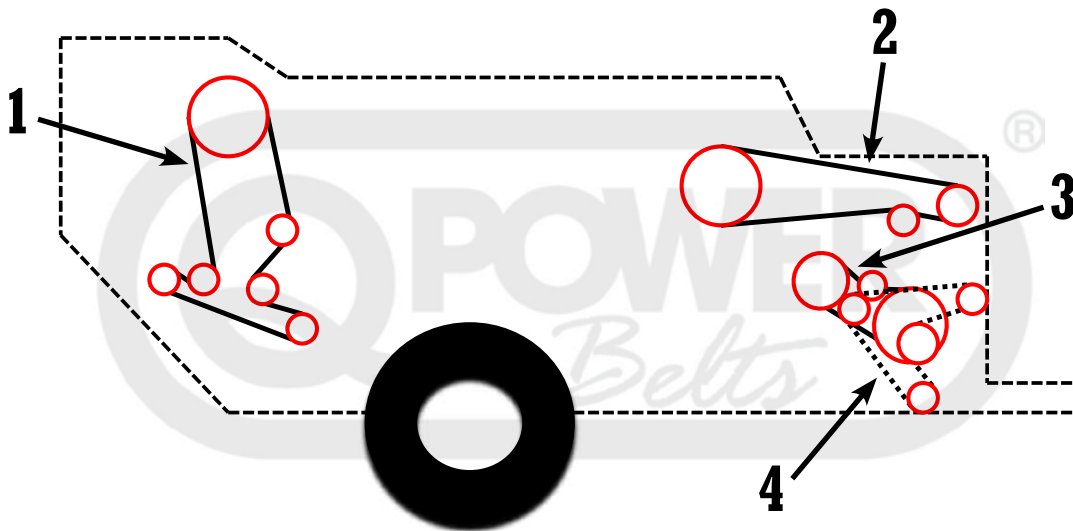


KMC® 3300, 3350

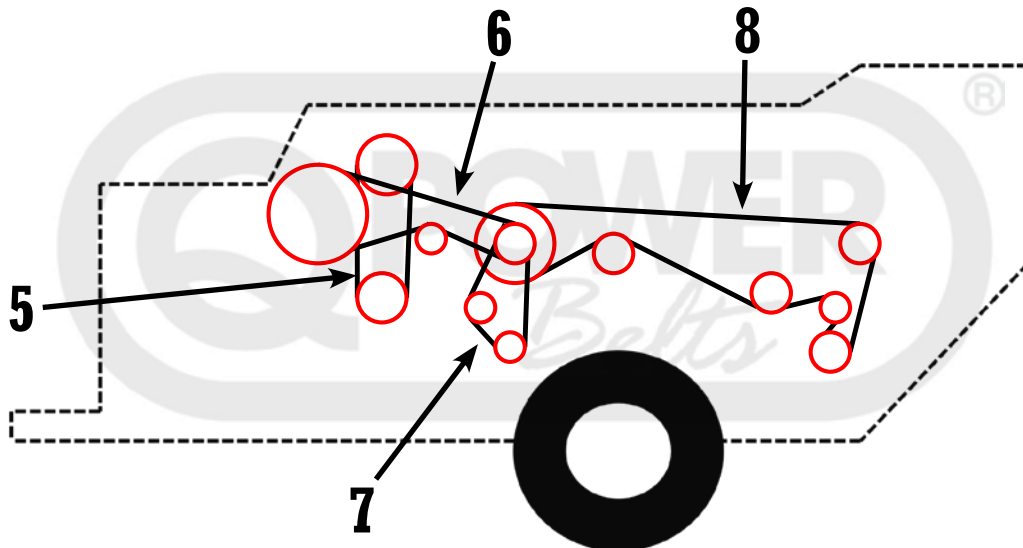


KMC®

Right Hand View



Left Hand View



© Quality Power Products 2011





## □ KMC® 3300, 3350

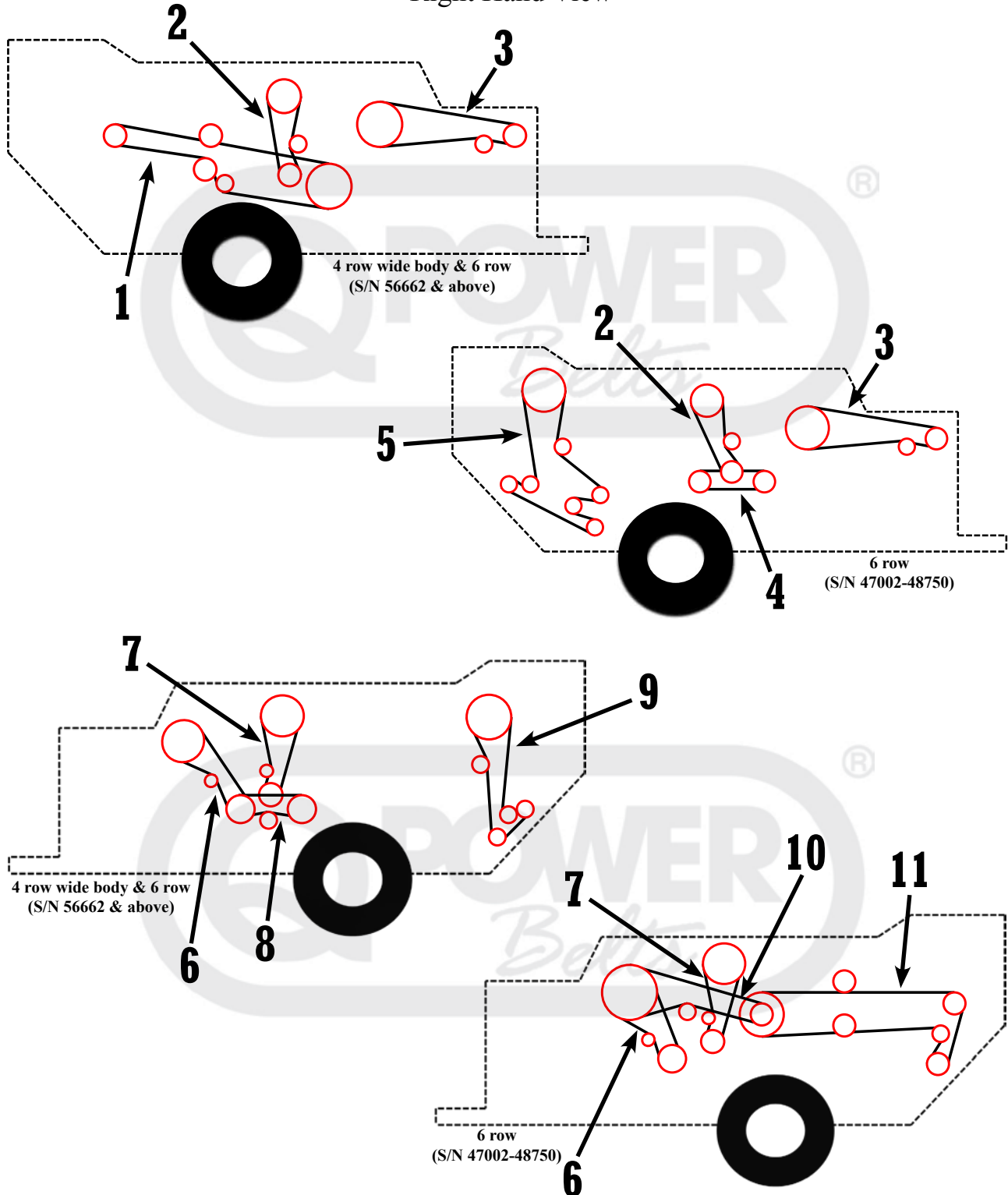
Id	Part Number	Description	Application
1	QP33-053-030	BELT DRIVE (2 ROW AND 4 ROW)	3300, 3350
2	QP33-053-026	BELT DRIVE (2 ROW AND 4 ROW)	3300, 3350
2	QP33-053-083	BELT DRIVE (HYD HEADER-4 ROW)	3300, 3350
3	QP33-053-049	BELT DRIVE VARI SPEED (2 ROW)	3300, 3350
4	QP33-053-050	BELT DRIVE (2 ROW)	3300, 3350
5	QP33-053-025	BELT DRIVE (2 ROW AND 4 ROW)	3300, 3350
6	QP33-053-023	BELT DRIVE (2 ROW AND 4 ROW)	3300, 3350
7	QP03-053-031	BELT DRIVE (2 ROW AND 4 ROW)	3300, 3350
8	QP33-053-024	BELT DRIVE (2 ROW)	3300, 3350
8	QP33-053-071	BELT DRIVE (4 ROW)	3300, 3350
NI	QP33-053-073	HEADER DRIVE VARI SPEED (4 ROW)	3300, 3350
NI	QP33-053-051	VINE SPREADER BELT (2 ROW AND 4 ROW)	3300, 3350

NI - Not Illustrated



KMC®

Right Hand View



© Quality Power Products 2011



□ **KMC® 3355, 3360**

Id	Part Number	Description	Application
1	<b>QP33-053-128</b>	BELT DRIVE (4 ROW WIDE BODY & 6 ROW)	3355-3360 (6 row S/N 56662 & above)
2	<b>QP33-053-025</b>	BELT DRIVE (4 ROW WIDE BODY & 6 ROW)	3355, 3360
3	<b>QP33-053-097</b>	BELT DRIVE (4 ROW WIDE BODY & 6 ROW)	3355, 3360
4	<b>QP33-053-088</b>	BELT DRIVE VARI SPEED (6 ROW)	3355-3360 (S/N 47002-48750)
5	<b>QP33-053-105</b>	BELT DRIVE (6 ROW)	3355-3360 (S/N 47002-48750)
6	<b>QP33-053-025</b>	BELT DRIVE (4 ROW WIDE BODY & 6 ROW)	3355,3360
7	<b>QP33-053-025</b>	BELT DRIVE (4 ROW WIDE BODY & 6 ROW)	3355,3360
8	<b>QP33-053-125</b>	BELT DRIVE (4 ROW WIDE BODY)	3355-3360 (4 row S/N 51551-56661)
8	<b>QP33-053-142</b>	BELT DRIVE (4 ROW WIDE BODY)	3355-3360 (4 row S/N 56662 & above)
8	<b>QP33-053-088</b>	BELT DRIVE (6 ROW)	3355-3360 (6 row S/N 56662 & above)
9	<b>QP33-053-126</b>	BELT DRIVE (4 ROW WIDE BODY & 6 ROW)	3355-3360 (6 row S/N 56662 & above)
10	<b>QP33-053-098</b>	BELT DRIVE (6 ROW)	3355-3360 (S/N 47002-48750)
11	<b>QP33-053-071</b>	BELT DRIVE (6 ROW)	3355-3360 (S/N 47002-48750)
NI	<b>QP33-053-108</b>	VINE SPREADER (4 ROW WIDE BODY & 6 ROW)	3355, 3360

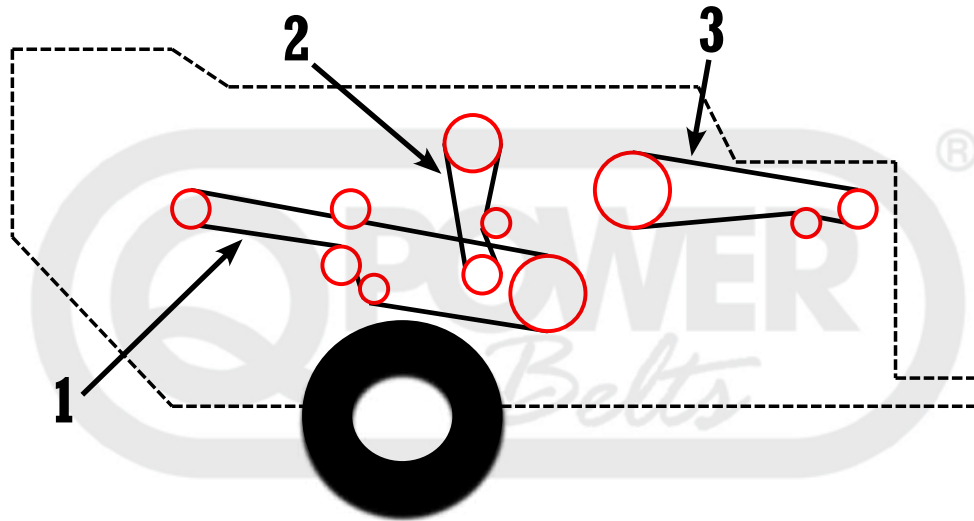
NI - Not Illustrated

The use of the original manufacturers part numbers, e.g. CASE and JOHN DEERE, are for reference purposes only - the parts offered are not original manufacturers parts. Quality Power Products, Inc., sells replacement parts for use in the equipment of various manufacturers. Quality Power Products, Inc., and the belts contained herein are not sponsored, affiliated, or otherwise connected in any way with the equipment manufacturers named in this catalog.

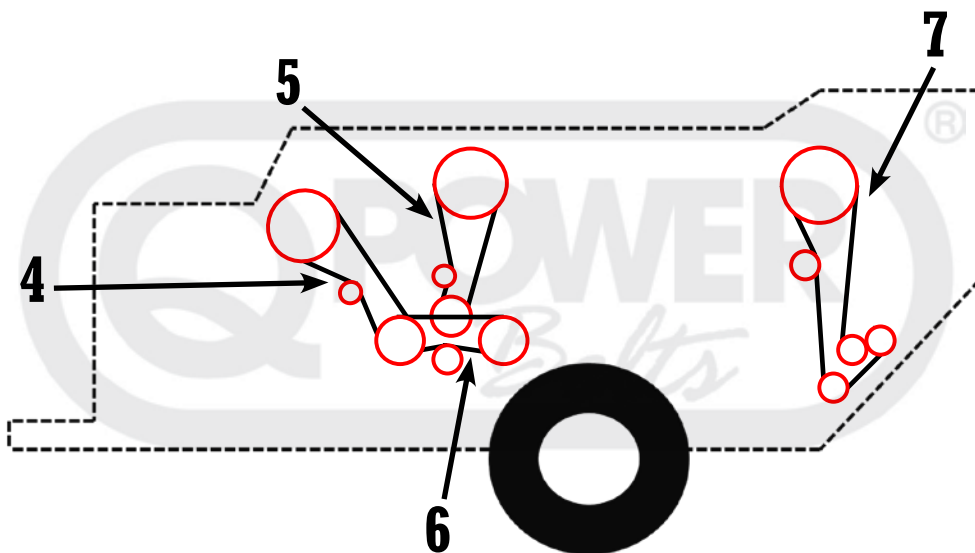


KMC®

Right Hand View



Left Hand View





□ **KMC® 3374, 3376**

Id	Part Number	Description	Application
1	<b>QP33-053-128</b>	BELT DRIVE (4 ROW WIDE BODY & 6 ROW)	3374-3376 (Prior to S/N 68700)
1	<b>QP33-053-193</b>	BELT DRIVE (4 ROW WIDE BODY & 6 ROW)	3374-3376 (S/N 68700 & above)
2	<b>QP33-053-076</b>	BELT DRIVE (4 ROW WIDE BODY & 6 ROW)	3374, 3376
3	<b>QP33-053-097</b>	BELT DRIVE (4 ROW WIDE BODY & 6 ROW)	3374, 3376
4	<b>QP33-053-025</b>	BELT DRIVE (4 ROW WIDE BODY & 6 ROW)	3374-3376 (Prior to S/N 68700)
4	<b>QP33-053-197</b>	BELT DRIVE (4 ROW WIDE BODY & 6 ROW)	3374-3376 (S/N 68700 & above)
5	<b>QP33-053-076</b>	BELT DRIVE (4 ROW WIDE BODY & 6 ROW)	3374, 3376
6	<b>QP33-053-142</b>	BELT DRIVE (4 ROW)	3374-3376 (Prior to S/N 70483)
6	<b>QP33-053-125</b>	BELT DRIVE (4 ROW)	3374-3376 (S/N 70483-80944)
6	<b>QP33-053-210</b>	BELT DRIVE (4 ROW)	3374-3376 (S/N 80945 & above)
6	<b>QP33-053-088</b>	BELT DRIVE (6 ROW)	3374, 3376
7	<b>QP33-053-126</b>	BELT DRIVE (4 ROW WIDE BODY & 6 ROW)	3374, 3376
NI	<b>QP33-053-188</b>	VINE SPREADER (4 ROW WIDE BODY & 6 ROW)	3374-3376 (Prior to S/N 70483)
NI	<b>QP33-053-188</b>	VINE SPREADER (4 ROW)	3374-3376 (S/N 70483 & above)
NI	<b>QP33-053-126</b>	VINE SPREADER (6 ROW)	3374-3376 (S/N 70483 & above)

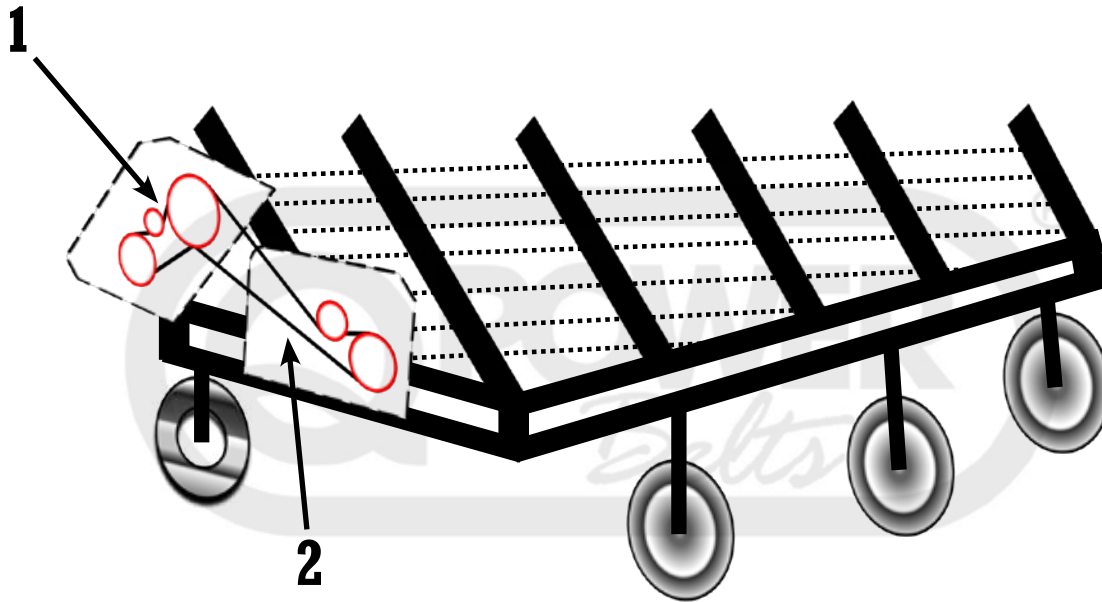
NI - Not Illustrated

The use of the original manufacturers part numbers, e.g. CASE and JOHN DEERE, are for reference purposes only - the parts offered are not original manufacturers parts. Quality Power Products, Inc., sells replacement parts for use in the equipment of various manufacturers. Quality Power Products, Inc., and the belts contained herein are not sponsored, affiliated, or otherwise connected in any way with the equipment manufacturers named in this catalog.

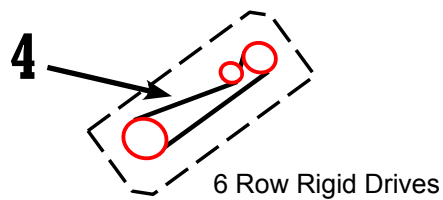
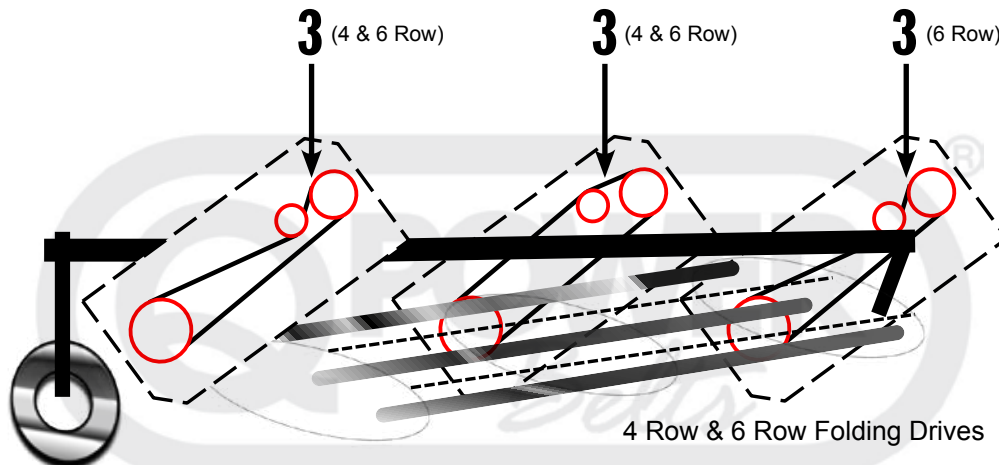


KMC®

## Inverter



## Vine Conditioner & Lifter





## □ KMC® Inverter, Vine Conditioner & Lifter

Id	Part Number	Description	Application
NI	<b>QP03-053-031</b>	INVERTER BELT DRIVE (SHORT BELT)	6 ROW (6-31, 6-36, 6-38, 6-40) (S/N 67341 & above)
NI	<b>QP03-053-015</b>	INVERTER BELT DRIVE (LONG BELT)	6 ROW (6-31, 6-36, 6-38, 6-40) (S/N 67341 & above)
NI	<b>QP03-053-038</b>	VINE CONDITIONER & LIFTER (FOLDING DRIVES)	4 ROW & 6 ROW (03 Series) (S/N 72647 & above)
NI	<b>QP03-053-038</b>	VINE CONDITIONER & LIFTER (RIGID DRIVES)	6 ROW (03 Series) (S/N 72647 & above)

NI - Not Illustrated

The use of the original manufacturers part numbers, e.g. CASE and JOHN DEERE, are for reference purposes only - the parts offered are not original manufacturers parts. Quality Power Products, Inc., sells replacement parts for use in the equipment of various manufacturers. Quality Power Products, Inc., and the belts contained herein are not sponsored, affiliated, or otherwise connected in any way with the equipment manufacturers named in this catalog.

