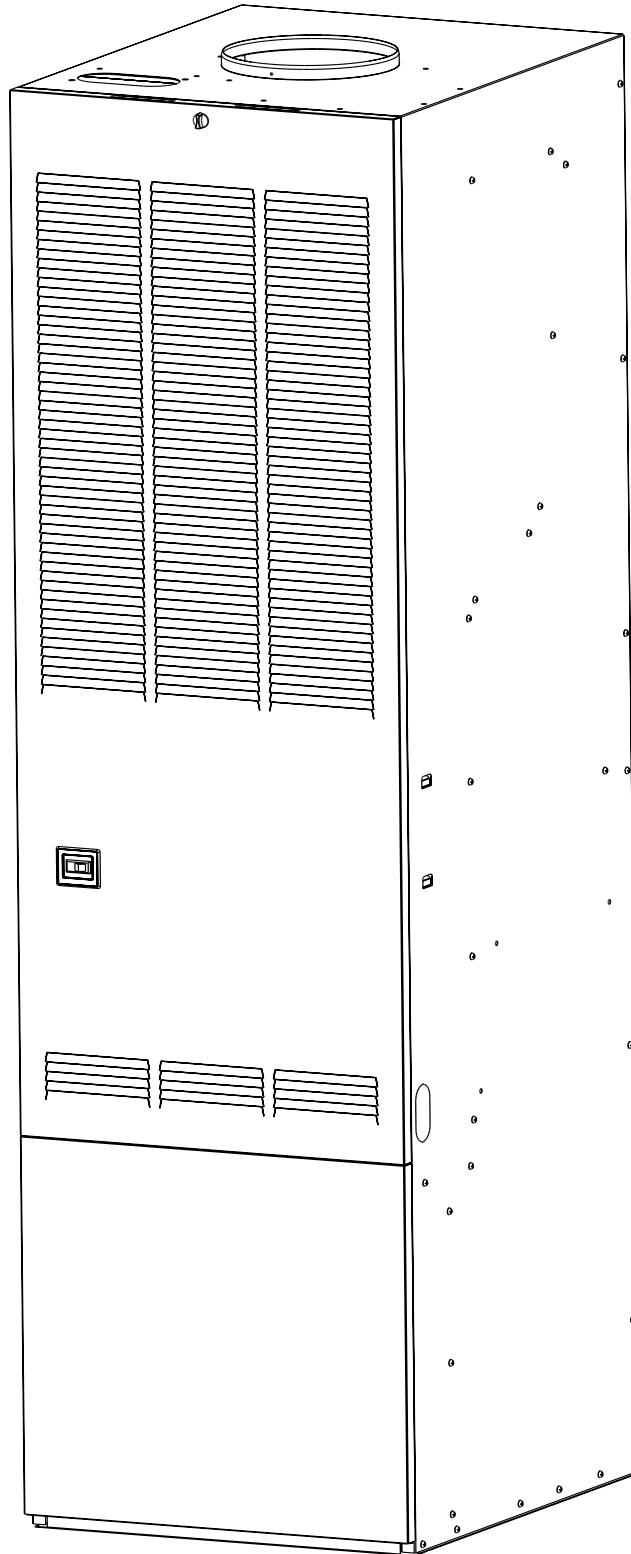


M1 Series



Model M1G(*)

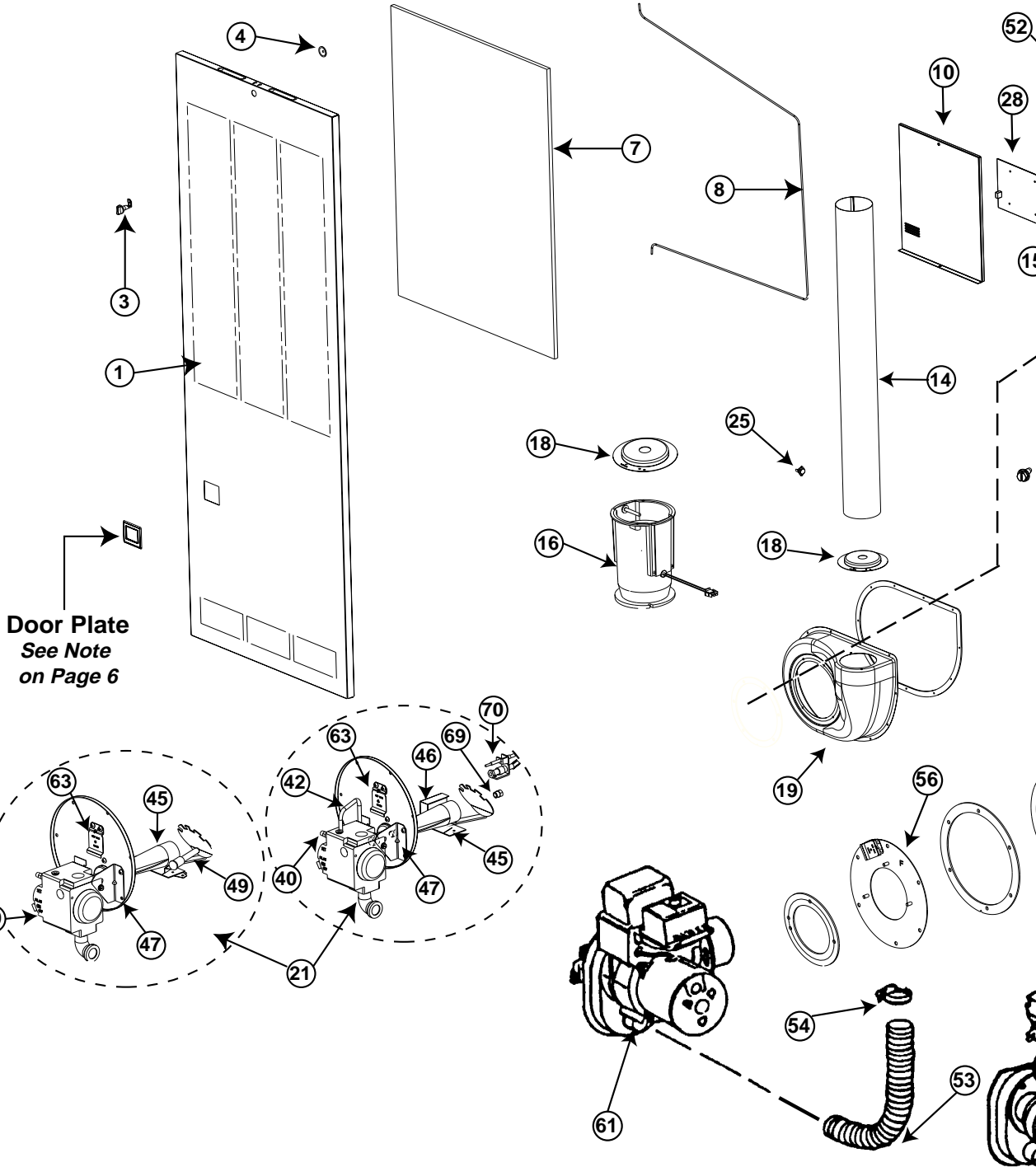
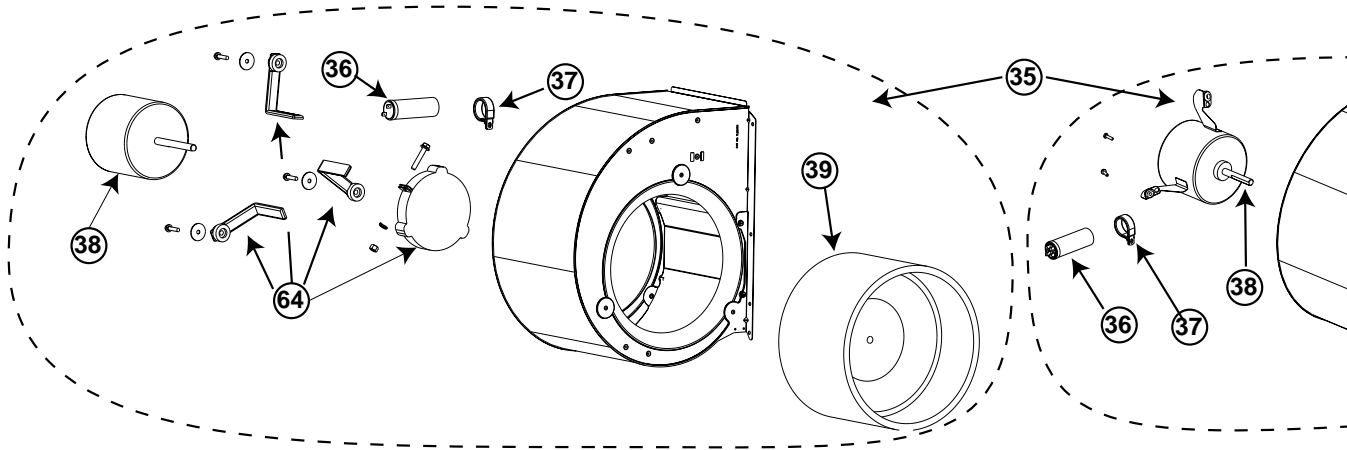
Item	Description	M1GH				M1G(B,C,D)			
		056	070	077	090	056	070	077	090
1	Louvered Door (White)	903407	903407	903407	903407	903407	903407	903407	903407
2	Coil Door (White)	903094	903094	903094	903094	903094	903094	903094	903094
3	Pawl Latch	632330	632330	632330	632330	632330	632330	632330	632330
4	Fastener, Pawl Latch	606243	606243	606243	606243	606243	606243	606243	606243
5	Door Strike	668905	668905	668905	668905	668905	668905	668905	668905
6	Door Latch	668420	668420	668420	668420	668420	668420	668420	668420
7	Air Filter	669064	669064	669064	669064	669064	669064	669064	669064
8	Filter Retainer Wire	669065	669065	669065	669065	669065	669065	669065	669065
9	Control Box	386720	386720	386720	386720	386720	386720	386720	386720
10	Control Box Cover	264800	264800	264810	264810	264820	264820	264830	264830
11	On/Off Switch	632337	632337	632337	632337	632337	632337	632337	632337
12	Fan Auto/On Switch	632338	632338	632338	632338	-	-	-	-
13	Transformer	621807	621807	621807	621807	621807	621807	621807	621807
14	Air Pipe	386543	386543	387210	387210	386543	386543	387210	387210
15	Pressure Switch	-	-	632332	632332	-	-	632332	632332
16	Combustion Blower Assy.	-	-	903404	903404	-	-	903404	903404
17	Shelf Divider	355050	355050	355050	355050	355050	355050	355050	355050
18	Flange, Air Orifice	267112	267114	267115	267117	267112	267114	267115	267117
19	Lower Air Box	D06120	D06120	D06120	D06120	D06120	D06120	D06120	D06120
20	Shelf Divider	385280	385280	385280	385280	385280	385280	385280	385280
21	Burner (less Orifice)	903405	903405	903405	903405	903405	903405	903405	903405
22	Plate, Entry-Gas	383610	383610	383610	383610	383610	383610	383610	383610
23	Gasket Kit	730534	730534	730534	730534	730534	730534	730534	730534
24	Limit, Auxillary	626472	626472	626472	626472	626472	626472	626472	626472
25	Limit, Flame Roll-out	626375	626375	-	-	626375	626375	-	-
26	Limit, Air Temperature *	626469	626469	626470	626469	626469	626469	626470	626469
27	Switch, Fan Control	626468	626468	626468	626468	626468	626468	626468	626468
29	Heat Exchanger	903415	903417	903418	903419	903415	903417	903418	903419
30	Blower Deck	495380	495380	495380	495380	495380	495380	495380	495380
31	Air Casing	265010	265010	265010	265010	265010	265010	265010	265010
32	Upper Partition	387220	387220	387220	387220	387220	387220	387220	387220
33	Right Close-off Plate	355490	355490	355490	355490	355490	355490	355490	355490
34	Left Close-off Plate	355480	355480	355480	355480	355480	355480	355480	355480
35	Blower Assembly	903409	903410	903411	903411	903412	903412	903411	903411
35	Blower Assembly (C unit)	-	-	-	-	903413	903413	903413	903413
35	Blower Assembly (1650 CFM)	-	-	-	-	903414	903414	903414	903414
35	Blower Assembly (D unit)	-	-	-	-	903890	903890	903890	903890
36	Capacitor	-	-	621434	621434	621435	621435	621434	621434
36	Capacitor (C unit)	-	-	-	-	621435	621435	621435	621435
36	Capacitor (D unit)	-	-	-	-	621490	621490	621490	621490
37	Capacitor Strap	-	-	606228	606228	606228	606228	606228	606228
38	Blower Motor	902042	901873	901874	901874	903774	903774	903774	903774
38	Blower Motor (C unit)	-	-	-	-	903433	903433	903433	903433
38	Blower Motor (D unit)	-	-	-	-	903434	903434	903434	903434
39	Blower Wheel	667294	667294	667037	667037	667037	667037	667037	667037
39	Blower Wheel (C ton)	-	-	-	-	667258	667258	667258	667258
39	Blower Wheel (D ton)	-	-	-	-	667037	667037	667037	667037
40	Gas Valve (Robertshaw)	624583	624583	624583	624583	624583	624583	624583	624583
40	Gas Valve (Honeywell)	624609	624609	624609	624609	624609	624609	624609	624609
41	Thermocouple (not shown)	631132	631132	631132	631132	631132	631132	631132	631132
42	Pilot Tube	903435	903435	903435	903435	903435	903435	903435	903435
43	Natural Gas Orifice (not shown)	661029	661024	661021	661017	661029	661024	661021	661017
44	LP Gas Orifice (not shown)	661045	661042	661040	661036	661045	661042	661040	661036
45	Venturi Assy.	660886	660886	660886	660886	660886	660886	660886	660886
46	Pilot Shield	264550	264550	264550	264550	264550	264550	264550	264550
47	Valve Support (if R'shaw)	385210	385210	385210	385210	385210	385210	385210	385210
47	Valve Support (if H'well)	386460	386460	386460	386460	386460	386460	386460	386460
48	HSI Conversion Kit (not shown)	903428	903428	903428	903428	903428	903428	903428	903428
50	Pilot Lighter Rod (not shown)	618020	618020	618020	618020	618020	618020	618020	618020
51	Blower Relay	-	-	-	-	620537	620537	620537	620537
52	Combustion Blower Relay	-	-	620537	620537	-	-	620537	620537
60	Shield, Insulation	264541	264541	264541	264541	264541	264541	264541	264541
62	H'Well Elbow Assy (not shown)	624612	624612	624612	624612	624612	624612	624612	624612
63	Observation Door Assy.	264080	264080	264080	264080	264080	264080	264080	264080
64	Motor Mount Kit (C unit)	-	-	-	-	903489	903489	903489	903489
65	Piezo Ignitor Kit (not shown)	903458	903458	903458	903458	903458	903458	903458	903458
66	Fuse, 3A (not shown)	632261	632261	632261	632261	632261	632261	632261	632261
67	Burner Spud (not shown)	663699	663699	663699	663699	663699	663699	663699	663699
68	Combustion Baffle Kit	903722	903722	903722	903722	903722	903722	903722	903722
69	Pilot Orifice	660791	660791	660791	660791	660791	660791	660791	660791
70	Pilot Burner Assembly	660911	660911	660911	660911	660911	660911	660911	660911

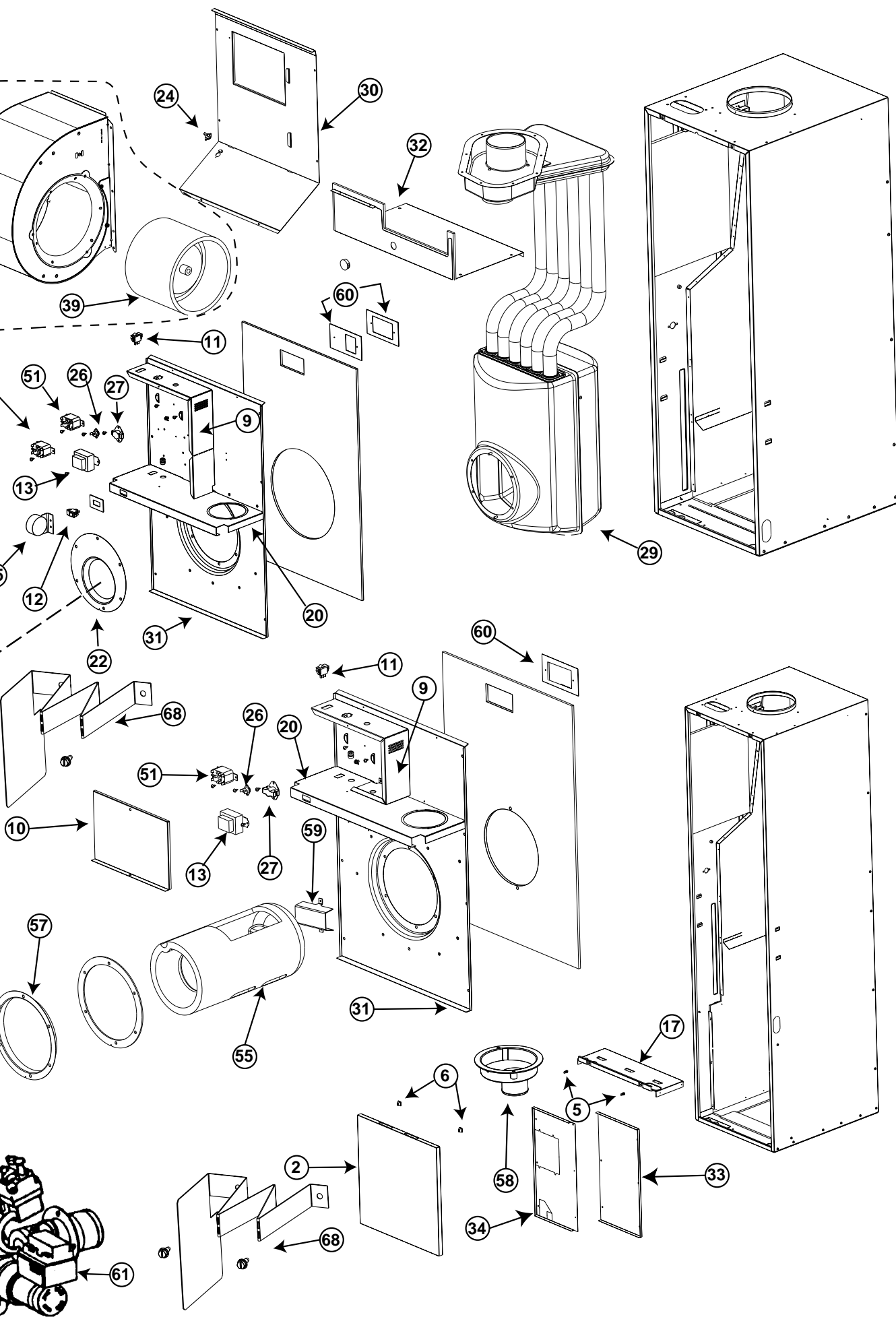
*M1GB 077: 626469 Limit

Model M1M(*)

Item	Description	M1MA		M1MB				M1M(C,D)			
		056	070	056	070	077	090	056	070	077	090
1	Louvered Door (White)	903407	903407	903407	903407	903407	903407	903407	903407	903407	903407
2	Coil Door (White)	903094	903094	903094	903094	903094	903094	903094	903094	903094	903094
3	Pawl Latch	632330	632330	632330	632330	632330	632330	632330	632330	632330	632330
4	Fastener, Pawl Latch	606243	606243	606243	606243	606243	606243	606243	606243	606243	606243
5	Door Strike	668905	668905	668905	668905	668905	668905	668905	668905	668905	668905
6	Door Latch	668420	668420	668420	668420	668420	668420	668420	668420	668420	668420
7	Air Filter	669064	669064	669064	669064	669064	669064	669064	669064	669064	669064
8	Filter Retainer Wire	669065	669065	669065	669065	669065	669065	669065	669065	669065	669065
9	Control Box	386720	386720	386720	386720	386720	386720	386720	386720	386720	386720
10	Control Box Cover	264840	264840	264840	264840	264840	264840	264840	264840	264840	264840
11	On/Off Switch	632337	632337	632337	632337	632337	632337	632337	632337	632337	632337
13	Transformer	621807	621807	621807	621807	621807	621807	621807	621807	621807	621807
14	Air Pipe	387210	387210	387210	387210	387210	387210	387210	387210	387210	387210
15	Pressure Switch	632332	632332	632332	632332	632332	632332	632332	632332	632332	632332
16	Combustion Blower Assy.	903404	903404	903404	903404	903404	903404	903404	903404	903404	903404
17	Shelf Divider	355050	355050	355050	355050	355050	355050	355050	355050	355050	355050
18	Flange, Air Orifice	263871	263872	263871	263872	263873	263875	263871	263872	263873	263875
19	Lower Air Box	D06120	D06120	D06120	D06120	D06120	D06120	D06120	D06120	D06120	D06120
20	Close-off Shelf	385280	385280	385280	385280	385280	385280	385280	385280	385280	385280
21	Burner (less Orifice)	903406	903406	903406	903406	903406	903406	903406	903406	903406	903406
22	Plate, Entry-Gas	383610	383610	383610	383610	383610	383610	383610	383610	383610	383610
23	Gasket Kit	730534	730534	730534	730534	730534	730534	730534	730534	730534	730534
24	Limit, Auxiliary	626472	626472	626472	626472	626472	626472	626472	626472	626472	626472
26	Limit, Air Temperature	626470	626469	626470	626469	626470	626469	626470	626469	626470	626469
28	Integrated Control	903429	903429	903429	903429	903429	903429	903429	903429	903429	903429
29	Heat Exchanger	903418	903419	903418	903419	903419	903420	903418	903419	903419	903420
30	Blower Deck	495380	495380	495380	495380	495380	495380	495380	495380	495380	495380
31	Air Casing	265010	265010	265010	265010	265010	265010	265010	265010	265010	265010
32	Upper Partition	387220	387220	387220	387220	387220	387220	387220	387220	387220	387220
33	Right Close-off Plate	355490	355490	355490	355490	355490	355490	355490	355490	355490	355490
34	Left Close-off Plate	355480	355480	355480	355480	355480	355480	355480	355480	355480	355480
35	Blower Assembly	903409	903410	903773	903773	903773	903773	903413	903413	903413	903413
35	Blower Assembly (1650 CFM)	-	-	-	-	-	-	903414	903414	903414	903414
35	Blower Assembly (D unit)	-	-	-	-	-	-	903890	903890	903890	903890
36	Capacitor	-	-	621435	621435	621435	621435	621435	621435	621435	621435
36	Capacitor (D unit)	-	-	-	-	-	-	621490	621490	621490	621490
37	Capacitor Strap	-	-	606228	606228	606228	606228	606228	606228	606228	606228
38	Blower Motor	902042	901873	903774	903774	903774	903774	903433	903433	903433	903433
38	Blower Motor (D unit)	-	-	-	-	-	-	903434	903434	903434	903434
39	Blower Wheel	667294	667294	667037	667037	667037	667037	667258	667258	667258	667258
39	Blower Wheel (D ton)	-	-	-	-	-	-	667037	667037	667037	667037
40	Repl. Gas Valve Kit (Honeywell)	903596	903596	903596	903596	903596	903596	903596	903596	903596	903596
43	Natural Gas Orifice (not shown)	661029	661024	661029	661024	661021	661017	661029	661024	661021	661017
44	LP Gas Orifice (not shown)	661045	661042	661045	661042	661040	661036	661045	661042	661040	661036
47	Valve Support (if R'shaw)	385210	385210	385210	385210	385210	385210	385210	385210	385210	385210
47	Valve Support (if H'well)	386460	386460	386460	386460	386460	386460	386460	386460	386460	386460
49	Ignitor Kit	903110	903110	903110	903110	903110	903110	903110	903110	903110	903110
60	Shield, Insulation	264541	264541	264541	264541	264541	264541	264541	264541	264541	264541
62	H'Well Elbow Assy. (not shown)	624612	624612	624612	624612	624612	624612	624612	624612	624612	624612
63	Observation Door Assy.	264080	264080	264080	264080	264080	264080	264080	264080	264080	264080
64	Motor Mount Kit (C unit)	903489	903489	903489	903489	903489	903489	903489	903489	903489	903489
66	Fuse, 3A (not shown)	632261	632261	632261	632261	632261	632261	632261	632261	632261	632261
67	Burner Spud (not shown)	663699	663699	663699	663699	663699	663699	663699	663699	663699	663699
68	Combustion Air Baffle Kit	903722	903722	903722	903722	903722	903722	903722	903722	903722	903722

Model M1 Exploded View Diagram





Model M1S,B(*)

Item	Description	M1SA 66	M1SB 86	M1SC		M1BA 66	M1BB 86	M1BC	
				66	86			66	86
1	Louvered Door (White)	903407	903407	903407	903407	903407	903407	903407	903407
2	Coil Door (White)	903094	903094	903094	903094	903094	903094	903094	903094
3	Pawl Latch	632330	632330	632330	632330	632330	632330	632330	632330
4	Fastener, Pawl Latch	606243	606243	606243	606243	606243	606243	606243	606243
5	Door Strike	668905	668905	668905	668905	668905	668905	668905	668905
6	Door Latch	668420	668420	668420	668420	668420	668420	668420	668420
7	Air Filter	669064	669064	669064	669064	669064	669064	669064	669064
8	Filter Retainer Wire	669065	669065	669065	669065	669065	669065	669065	669065
9	Control Box	264800	264800	264800	264800	264800	264800	264800	264800
10	Control Box Cover	264790	264790	264790	264790	264790	264790	264790	264790
11	On/Off Switch	632337	632337	632337	632337	632337	632337	632337	632337
13	Transformer	621807	621807	621807	621807	621807	621807	621807	621807
14	Air Pipe	386542	386542	386542	386542	386542	386542	386542	386542
17	Shelf Divider	355050	355050	355050	355050	355050	355050	355050	355050
20	Close-off Shelf	385280	385280	385280	385280	385280	385280	385280	385280
23	Gasket Kit	730054	730054	730054	730054	730054	730054	730054	730054
24	Limit, Auxiliary	626472	626472	626472	626472	626472	626472	626472	626472
26	Limit, Air Temp.	626469	626469	626469	626469	626469	626469	626469	626469
27	Switch, Fan Control	626468	626468	626468	626468	626468	626468	626468	626468
29	Heat Exchanger	903421	903422	903421	903422	903421	903422	903421	903422
30	Blower Deck	495380	495380	495380	495380	495380	495380	495380	495380
31	Air Casing	265020	265020	265020	265020	265020	265020	265020	265020
32	Upper Partition	387220	387220	387220	387220	387220	387220	387220	387220
33	Right Close-off Plate	355490	355490	355490	355490	355490	355490	355490	355490
34	Left Close-off Plate	355480	355480	355480	355480	355480	355480	355480	355480
35	Blower Assembly	903410	903773	903413	903413	903410	903773	903413	903413
36	Capacitor	-	621435	621435	621435	-	621435	621435	621435
37	Capacitor Strap	-	606228	606228	606228	-	606228	606228	606228
38	Blower Motor	901873	903774	903433	903433	901873	903774	903433	903433
39	Blower Wheel	667294	667037	667258	667258	667294	667037	667258	667258
51	Blower Relay	620537	620537	620537	620537	620537	620537	620537	620537
53	Flexible Hose	663734	663734	663734	663734	663734	663734	663734	663734
54	Hose Clamp (2)	606208	606208	606208	606208	606208	606208	606208	606208
55	Combustion Chamber	903423	903423	903423	903423	903423	903423	903423	903423
56	Plate, Burner	383690	383690	383690	383690	383690	383690	383690	383690
57	Ring, Chamber	383600	383600	383600	383600	383600	383600	383600	383600
58	Reducer Coupling	669063	669063	669063	669063	669063	669063	669063	669063
59	Bracket, Chamber	383720	383720	383720	383720	383720	383720	383720	383720
60	Shield, Insulation	264541	264541	264541	264541	264541	264541	264541	264541
61	Burner (Conversion)	903945	903946	903945	903946	903426	903427	903426	903427
66	Fuse, 3A (not shown)	632261	632261	632261	632261	632261	632261	632261	632261

Conversion Kits

Conversion Type	Model	Part No.
Gas to Oil Burner Conversion*	066	903945
Gas to Oil Burner Conversion*	086	903946
Oil to Gas Burner Conversion	066	903426
Oil to Gas Burner Conversion	086	903427

Door Insert Plate	Part No.
White, w/Fan Switch, Miller	687129
White, w/Fan Switch, Intertherm	687130
White, Miller	687132
White, Intertherm	687133
Grey, w/Fan Switch, Intertherm	687131
Grey, Intertherm	687134

Oil Burner M1S(*) 066 and 086

Parts List-AF-10 Beckett-Oil Burners							
Item No	Part Number	Description	Part Qty	Item No	Part Number	Description	Part Qty
1	912541	Motor	1	12	660596	Coupling	1
	621945 ¹	Motor	1	13	356431	Inlet Air Box Assembly	1
2	660591	Mounting Box	1	14	660915	Gasket Kit (Inlet box)	1
3	624284	Primary Control -WR	1	15	660918	Air Tube Assembly	1
	624503	Primary Control -HW	1	16	660607	Burner Head (66 & 86)	1
	624629 ²	Primary Control -HW	1	17	660059	Nozzle Adapter	1
4	621607	Transformer	1	18	660917	Electrode Kit	1
	621943 ³	Transformer	1	19	660048	Blower Wheel	1
5	660914	Gasket Kit (Transformer)	1	20	660601	Power Cord	1
6	660282	Burner Housing Assy	1	21	660606	Nozzle 66	1
7	660592	Escutcheon Plate	1		660605	Nozzle 86	1
8	660593	Locknut	1	22	660602	Flame Detector-WR	1
9	660594	Oil Line Kit	1		660603	Flame Detector-HW	1
10	660323	Fuel Pump	1	23	660916	Gun Drawer Assembly	1
11	660595	Street Elbow	1				

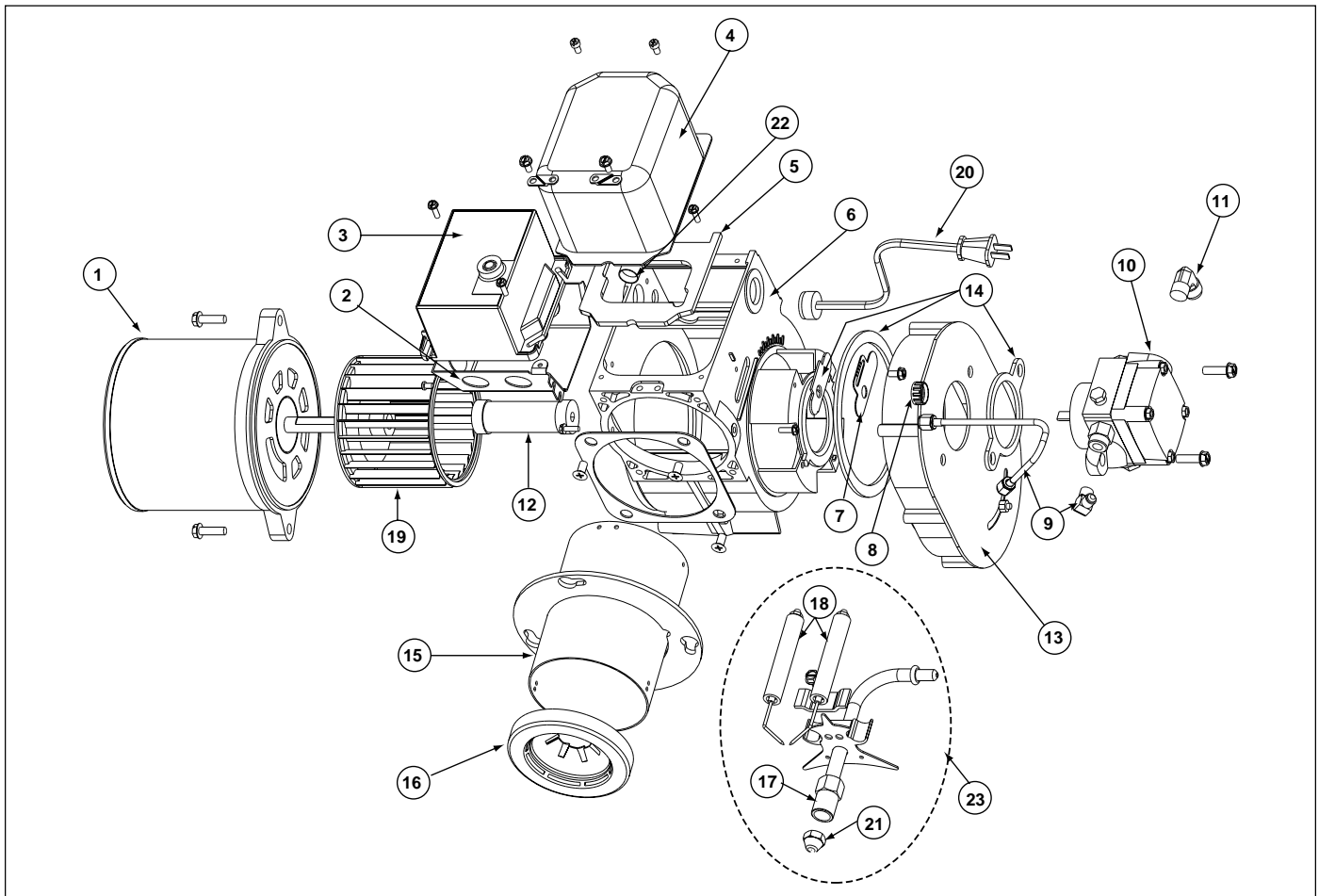


Figure 2. Oil Burner Diagram

¹621945 replaces 912541 approximately 5/2001.

³621943 replaces 621607 approximately 5/2001.

²624629 replaces 624503 approximately 5/2001.

Gas Burner M1B(*) 066 and 086

Parts List-Direct Ignition Gas Burners							
Item No	Part Number	Description	Part Qty	Item No	Part Number	Description	Part Qty
1	624490	Gas Valve (Robertshaw)	1	12	661018	Burner Orifice (NAT. 86) #18	1
	624610	Gas Valve (Honeywell)	1		661037	Burner Orifice (LPG. 86) #37	1
2	634568	Power Supply Cord	1		661026	Burner Orifice (NAT. 66) #26	1
3	902661	Ignitor	1		661043	Burner Orifice (LPG. 66) #43	1
4	157490	Electric Box Assembly	1	13	689032	Adapter Burner Gasket	1
5	352930	Electrical Box Cover	1	14	388382	Inlet Air Box Assy-Gas Gun	1
6	626421	HSI Control	1	15	265130	Blower Assembly-Left	1
7	375090	Venturi	1	16	667185	Blower Wheel	1
8	157450	Manifold Assembly	1	17	352880	Blower Assembly-Right	1
9	265361	Tube Assembly	1	18	689589	Motor Mounting Gasket	1
10	248750	Air Cone Assembly	1	19	621077	Motor	1
11	632083	Terminal Board	1	20	662095	Street Elbow	1

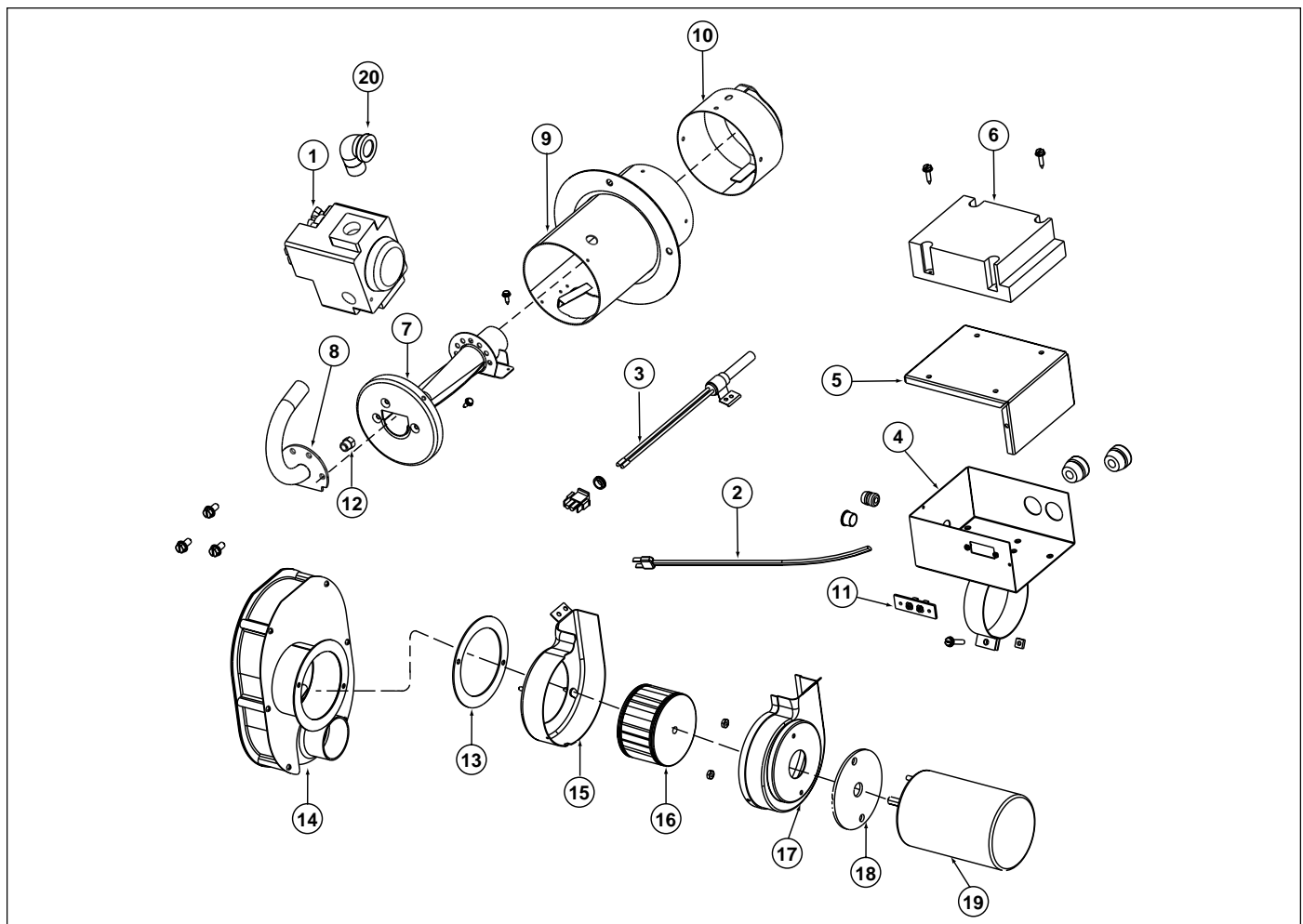


Figure 3. Gas Burner Diagram

