

RETAIL PRICELIST

Effective from 1st September 2016



Condensing Oil Boilers, Flue Kits & Accessories



Retail Price List Index

Blue Supreme™ Condensing Boilers	1
Enviroblue™ Condensing Boilers	1
Enviromax™ Condensing Boilers	2
Envirolite Silver Condensing Boilers	3
Flue Kits For Blue Supreme™ Condensing Boilers	3
Flue Kits For Enviroblue™, Enviromax™ and Envirolite Silver Condensing Boilers	3
Low Level Flue Kits	4
Plume Dispersal	4-5
High Level & Vertical Flue Kits & Accessories	6
Conventional Flue Kits & Accessories	7
Technical Specification	8
Delivery & Restocking Charges	9
Warranty Details / Terms & Conditions	9



Blue Supreme™ Condensing Boilers



Europe's most efficient domestic oil boiler

Product Code	Product Description	Retail Price*
INTERNAL	UTILITY	
EBS020CUT	Blue Supreme™ Utility C20	£4,024.00
EBS026CUT	Blue Supreme™ Utility C26	£4,129.00
EXTERNAL	SLIMLINE HEATPAC	
EBS020SLM	Blue Supreme™ Slimline Heatpac C20	£3,813.00
EBS026SLM	Blue Supreme™ Slimline Heatpac C26	£3,918.00
BOILERHOUSE	POPULAR	
EBS020POP	Blue Supreme™ Popular C20	£3,866.00
EBS026POP	Blue Supreme™ Popular C26	£3,971.00

Enviroblue™ Condensing Boilers

RIELLO



Features the Riello RDB Blu Low NOx burner

Product Code	Product Description	Retail Price*
INTERNAL	KITCHEN	
BKI020PCB	Enviroblue™ Kitchen C20	£2,568.00
BKI026PCB	Enviroblue™ Kitchen C26	£2,760.00
BKI035PCB	Enviroblue™ Kitchen C35	£3,334.00
INTERNAL	SYSTEM	
BSB020NKT	Enviroblue™ System C20	£2,979.00
BSB026NKT	Enviroblue™ System C26	£3,057.00
BSB035NKT	Enviroblue™ System C35	£3,690.00
INTERNAL	COMBI	
BCE020DLX	Enviroblue™ Combi C20	£4,024.00
BCE026DLX	Enviroblue™ Combi C26	£4,096.00
BCE035DLX	Enviroblue™ Combi C35	£4,522.00
INTERNAL	SLIMLINE COMBI	
BCE020SLM	Enviroblue™ Slimline Combi C20	£3,976.00
BCE026SLM	Enviroblue™ Slimline Combi C26	£4,052.00
BCE035SLM	Enviroblue™ Slimline Combi C35	£4,454.00
EXTERNAL	COMBIPAC	
BCP020PAC	Enviroblue™ Combipac C20	£4,215.00
BCP026PAC	Enviroblue™ Combipac C26	£4,335.00
BCP035PAC	Enviroblue™ Combipac C35	£4,793.00
EXTERNAL	EXTERNAL COMBIPAC	
BHP020SLM	Enviroblue™ External Combipac C20	£3,094.00
BHP026SLM	Enviroblue™ External Combipac C26	£3,227.00
BHP035SLM	Enviroblue™ External Combipac C35	£3,880.00

*Prices exclude VAT

Enviromax™ Condensing Boilers



Product Code	Product Description	Retail Price*
INTERNAL KITCHEN		
CKI018DLX	Enviromax™ Kitchen 12-18kW	£1,843.00
CKI020DLX	Enviromax™ Kitchen C20	£1,946.00
CKI026DLX	Enviromax™ Kitchen C26	£2,128.00
CKI035DLX	Enviromax™ Kitchen C35	£2,675.00
CKI044DLX	Enviromax™ Kitchen C44	£3,080.00
CKI058DLX	Enviromax™ Kitchen C58	£3,287.00
CKI073DLX	Enviromax™ Kitchen C73	£3,497.00
CUT100NKT	Enviromax™ Commercial Utility C100	£4,807.00
INTERNAL SYSTEM		
CSB020DLX	Enviromax™ System C20	£2,337.00
CSB026DLX	Enviromax™ System C26	£2,412.00
CSB035DLX	Enviromax™ System C35	£3,015.00
CSB044DLX	Enviromax™ System C44	£3,411.00
INTERNAL COMBI		
CCO020DLX	Enviromax™ Combi C20	£3,333.00
CCO026DLX	Enviromax™ Combi C26	£3,401.00
CCO035DLX	Enviromax™ Combi C35	£3,806.00
INTERNAL SLIMLINE COMBI		
CCO020SLM	Enviromax™ Slimline Combi C20	£3,287.00
CCO026SLM	Enviromax™ Slimline Combi C26	£3,359.00
CCO035SLM	Enviromax™ Slimline Combi C35	£3,742.00
EXTERNAL SLIMLINE HEATPAC		
CON020SLM	Enviromax™ Slimline Heatpac C20	£2,375.00
CON026SLM	Enviromax™ Slimline Heatpac C26	£2,416.00
CON035SLM	Enviromax™ Slimline Heatpac C35	£3,000.00
EXTERNAL STANDARD HEATPAC		
CON018HPK	Enviromax™ Standard Heatpac 12-18kW	£2,203.00
CON020HPK	Enviromax™ Standard Heatpac C20	£2,447.00
CON026HPK	Enviromax™ Standard Heatpac C26	£2,574.00
CON035HPK	Enviromax™ Standard Heatpac C35	£3,195.00
CON044HPK	Enviromax™ Standard Heatpac C44	£3,686.00
CON058HPK	Enviromax™ Standard Heatpac C58	£3,927.00
CON073HPK	Enviromax™ Standard Heatpac C73	£4,287.00
EXTERNAL SLIMLINE SYSTEM		
CSP020SLM	Enviromax™ Slimline System C20	£2,813.00
CSP026SLM	Enviromax™ Slimline System C26	£2,925.00
CSP035SLM	Enviromax™ Slimline System C35	£3,590.00
EXTERNAL SYSTEMPAC		
CSP020NKT	Enviromax™ Systempac C20	£2,813.00
CSP026NKT	Enviromax™ Systempac C26	£2,925.00
CSP035NKT	Enviromax™ Systempac C35	£3,590.00
CSP044NKT	Enviromax™ Systempac C44	£3,913.00
EXTERNAL COMBIPAC		
CCP020000	Enviromax™ Combipac C20	£3,514.00
CCP026000	Enviromax™ Combipac C26	£3,629.00
CCP035000	Enviromax™ Combipac C35	£4,065.00
BOILERHOUSE POPULAR		
CP0018RDB	Enviromax™ Popular 12-18kW	£1,738.00
CP0020RDB	Enviromax™ Popular, C20	£1,806.00
CP0026RDB	Enviromax™ Popular, C26	£1,875.00
CP0035RDB	Enviromax™ Popular, C35	£2,380.00
CP0044RDB	Enviromax™ Popular, C44	£2,940.00
CP0058RDB	Enviromax™ Popular, C58	£3,157.00
CP0073RDB	Enviromax™ Popular, C73	£3,426.00
CP0100RDB	Enviromax™ Popular, C100	£4,584.00
ACCESSORIES		
ACCENVPMP	Condensate Pump Kit	£69.00
ACC000SCT	Combi Single Channel Timer (Slimline Only)	£67.00
ACC000ETM	Combi Twin Channel Timer	£76.00
ACC000CTR	Cascade Controller	£862.00

* Prices exclude VAT

Envirolite Silver Condensing Boilers



Product Code	Product Description	Retail Price*
INTERNAL	UTILITY	
CUT020NFT	Envirolite Silver Utility CR20	£1,833.00
CUT026NFT	Envirolite Silver Utility CR26	£1,945.00
CUT035NFT	Envirolite Silver Utility CR35	£2,248.00
EXTERNAL	SILVERPAC	
FSP020HPK	Envirolite Silverpac CR20	£2,097.00
FSP026HPK	Envirolite Silverpac CR26	£2,159.00
FSP035HPK	Envirolite Silverpac CR35	£2,633.00
BOILERHOUSE	SILVER BOILERHOUSE	
FSB020RDB	Envirolite Silver Boilerhouse CR20	£1,594.00
FSB026RDB	Envirolite Silver Boilerhouse CR26	£1,664.00
FSB035RDB	Envirolite Silver Boilerhouse CR35	£2,003.00

Flue Kits For Blue Supreme™ Condensing Boilers

Product Code	Product Description	Retail Price*
BSF005CBF	Blue Supreme™ Top Outlet low level flue kit-SS	£244.00
BSF005WBF	Blue Supreme™ Top Outlet low level flue kit-White	£349.00
BSF005HHL	Blue Supreme™ High Level Horizontal flue kit - SS	£354.00
BSF005VHL	Blue Supreme™ High Level Vertical Flue kit - SS	£477.00
BSF005WHH	Blue Supreme™ High Level Horizontal flue kit - White	£459.00
BSF005VWH	Blue Supreme™ High Level Vertical Flue kit - White	£582.00

Flue Kits For Enviroblue™, Enviromax™ and Envirolite Silver Condensing Boilers

Plas-Fit Flues - Suitable for Enviroblue™ & Enviromax™ Condensing Boilers

Product Code	Product Description	Retail Price*
12-35KW	PLAS-FIT PLASTIC FLUE KITS & ACCESSORIES (125mm)	
CPF005KIT	PLAS-FIT Low-level Balanced Flue Kit (1 metre)	£218.00
CPF005VHL	PLAS-FIT Vertical Balance Flue Kit (3 metre)	£368.00
CPF005HHL	PLAS-FIT High Level Flue Kit (1.075 metre)	£302.00
CPF005EXA	PLAS-FIT 1000mm Extension	£80.00
CPF005EXB	PLAS-FIT 500mm Extension	£64.00
CPF455ELB	PLAS-FIT 45° Elbow (pair)	£53.00
CPF905ELB	PLAS-FIT 90° Elbow	£68.00
CPF005WBK	PLAS-FIT Wall Bracket	£8.00
12-35KW	PLAS-FIT PLUME DISPERSAL KIT & ACCESSORIES (80mm)	
PDK005CPF	PLAS-FIT Plume Management Kit (2 metre)	£195.00
PDK005PXA	PLAS-FIT Plume 1000mm Extension	£27.00
PDK045PBD	PLAS-FIT Plume 45° Elbow	£15.00
PDK090PBD	PLAS-FIT Plume 90° Elbow	£16.00
PDK005PWB	PLAS-FIT Plume Wall Bracket	£7.00



CPF005HHL



CPF005VHL



PDK005CPF



CPF005KIT

*Prices exclude VAT

Low Level Flue Kits

Stainless Steel - Suitable for Enviroblue™, Enviromax™ & Envirolite Silver Condensing Boilers

Product Code	Product Description	Retail Price*
12-35KW		
LOW LEVEL FLUE KITS & ACCESSORIES (125mm)		
CBF005KIT	Low level flue kit 380-600mm Inc Stainless Steel Guard	£218.00
CBF005SKT	Low level flue kit 200-280mm (Short) Inc Stainless Steel Guard	£206.00
CBF005EXT	450mm Adjustable Extension (330-450mm)	£80.00
PDK125KIT	600mm Plume Dispersal Balanced Flue Starter Kit	£266.00
44-58KW		
LOW LEVEL FLUE KITS & ACCESSORIES (150mm)		
CBF006KIT	Low level flue kit 380-600mm Inc Stainless Steel Guard	£309.00
CBF006SKT	Low level flue kit 200-280mm (Short) Inc Stainless Steel Guard	£257.00
CBF006EXT	450mm Adjustable Extension (330-450mm)	£89.00
PDK150KIT	600mm Plume Dispersal Balanced Flue Starter Kit	£368.00
73KW		
LOW LEVEL FLUE KITS & ACCESSORIES (185mm)		
CBF007KIT	Low level flue kit 380-600mm Stainless Steel Guard Inc	£326.00
CBF007SKT	Low level flue kit 200-280mm (Short) inc Stainless Steel Guard	£259.00
CBF007EXT	450mm Adjustable Extension (330-450mm)	£97.00
PDK180KIT	600mm Plume Dispersal Balanced Flue Starter Kit	£403.00

Plume Dispersal

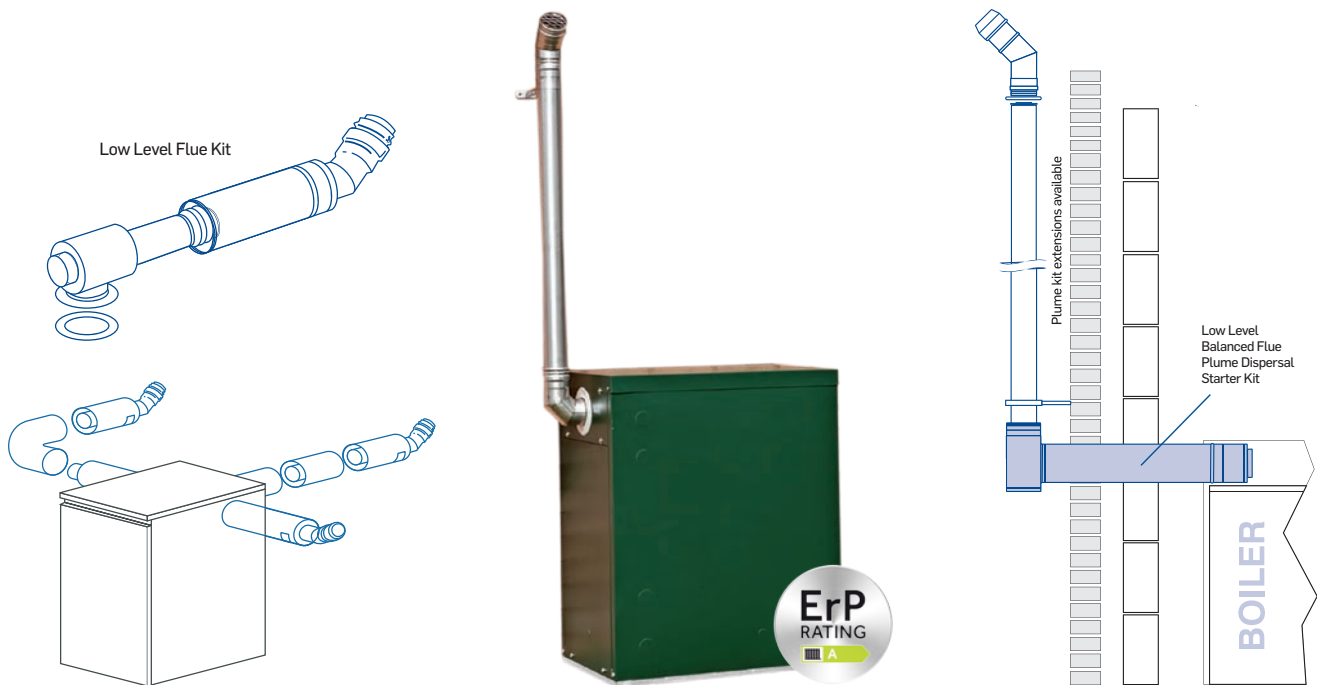
Stainless Steel - Suitable for Enviroblue™, Enviromax™ & Envirolite Silver Condensing Boilers

Product Code	Product Description	Retail Price*
12-35KW		
PLUME DISPERSAL KIT & ACCESSORIES (80mm)		
PDK250KIT	250mm Extension	£19.00
PDK500KIT	500mm Extension	£27.00
PDK1000KIT	1000mm Extension	£51.00
PDK420KIT	305-420mm Adjustable Extension	£34.00
PDK920KIT	555-920mm Adjustable Extension	£58.00
PDK045BND	45° Elbow	£19.00
PDK090BND	90° Elbow	£22.00
PDK000HLE	Terminal Insert	£20.00
PDK000CHC	Rain Cowl	£36.00
PDK000WBK	Wall Bracket	£19.00
PDK080POP	Plume Flue Adaptor	£25.00
44-58KW		
PLUME DISPERSAL KIT & ACCESSORIES (100mm)		
PDK256KIT	250mm Extension	£23.00
PDK506KIT	500mm Extension	£34.00
PDK1006KIT	1000mm Extension	£57.00
PDK426KIT	305-420mm Adjustable Extension	£46.00
PDK926KIT	555-920mm Adjustable Extension	£66.00
PDK456BND	45° Elbow	£35.00
PDK906BND	90° Elbow	£41.00
PDK006HLE	Terminal Insert	£30.00
PDK006CHC	Rain Cowl	£39.00
PDK006WBK	Wall Bracket	£21.00
PDK100POP	Plume Flue Adaptor	£28.00



*Prices exclude VAT

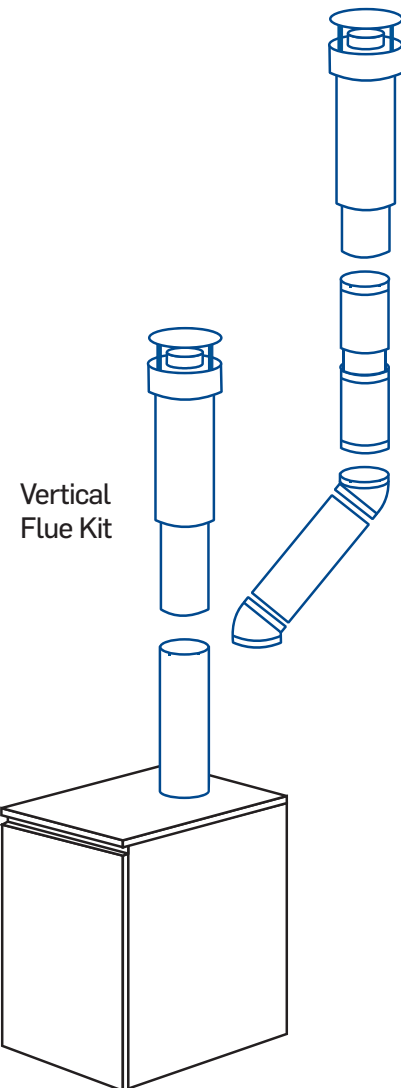
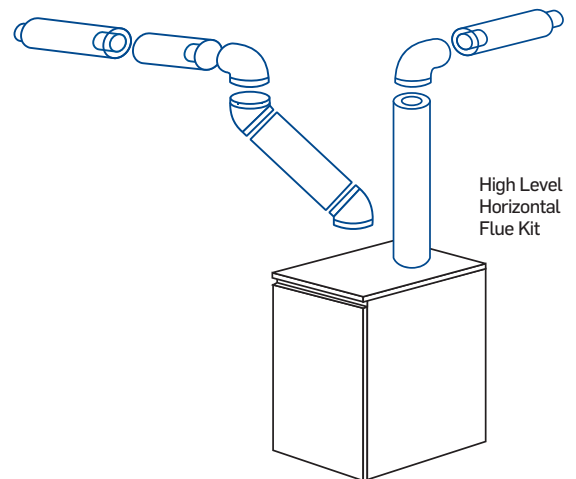
Product Code	Product Description	Retail Price*
73KW	PLUME DISPERSAL KIT & ACCESSORIES (125mm)	
PDK257KIT	250mm Extension	£29.00
PDK507KIT	500mm Extension	£45.00
PDK1007KIT	1000mm Extension	£78.00
PDK427KIT	305-420mm Adjustable Extension	£63.00
PDK927KIT	555-920mm Adjustable Extension	£88.00
PDK457BND	45° Elbow	£48.00
PDK907BND	90° Elbow	£55.00
PDK007HLE	Terminal Insert	£41.00
PDK007CHC	Rain Cowl	£42.00
PDK007WBK	Wall Bracket	£23.00
PDK125POP	Plume Flue Adaptor	£32.00
100KW	PLUME DISPERSAL KIT & ACCESSORIES (150mm)	
PDK258KIT	250mm Extension	£38.00
PDK508KIT	500mm Extension	£58.00
PDK1008KIT	1000mm Extension	£92.00
PDK428KIT	305-420mm Adjustable Extension	£80.00
PDK928KIT	555-920mm Adjustable Extension	£111.00
PDK458BND	45° Elbow	£61.00
PDK908BND	90° Elbow	£72.00
PDK008HLE	Terminal Insert	£51.00
PDK008CHC	Rain Cowl	£47.00
PDK008WBK	Wall Bracket	£23.00
PDK150POP	Plume Flue Adaptor	£43.00



*Prices exclude VAT

High Level & Vertical Flue Kits & Accessories

Product Code	Product Description	Retail Price*
12-35KW	HIGH LEVEL / VERTICAL FLUE KITS & ACCESSORIES (125mm)	
HLE005HHL	1075mm High Level Flue Kit (White Coated Finish)	£339.00
HLE005VHL	3m Vertical Balance Flue Kit (Inc Storm Collar)	£461.00
HLE005EXC	250mm Extension	£62.00
HLE005EXB	500mm Extension	£75.00
HLE005EXA	1000mm Extension	£113.00
HLE005EXD	330mm Adjustable Extension	£75.00
HLE455ELB	45° Elbow	£68.00
HLE905ELB	90° Elbow	£74.00
COF005PFL	Pitch Flashing	£53.00
COF005FFL	Flat Flashing	£56.00
HLF005WBK	Wall Bracket	£34.00
44-58KW	HIGH LEVEL & VERTICAL FLUE KITS & ACCESSORIES (150mm)	
HLF006HHL	1075mm High Level Flue Kit (White Coated Finish)	£433.00
HLF006VHL	3m Vertical Balance Flue Kit (Inc Storm Collar)	£568.00
HLF006EXC	250mm Extension	£102.00
HLF006EXB	500mm Extension	£128.00
HLF006EXA	1000mm Extension	£125.00
HLF006EXD	330mm Adjustable Extension	£104.00
HLF006EXE	555-920mm Adjustable Extension	£128.00
HLF456ELB	45° Elbow	£83.00
HLF906ELB	90° Elbow	£83.00
COF006PFL	Pitch Flashing	£139.00
COF006FFL	Flat Flashing	£63.00
HLF006WBK	Wall Bracket	£48.00
73KW	HIGH LEVEL & VERTICAL FLUE KITS & ACCESSORIES (185mm)	
HLF007HHL	1075mm High Level Flue Kit (White Coated Finish)	£488.00
HLF007VHL	3m Vertical Balance Flue Kit (Inc Storm Collar)	£597.00
HLF007EXC	250mm Extension	£91.00
HLF007EXB	500mm Extension	£127.00
HLF007EXA	1000mm Extension	£168.00
HLF007EXD	305-420mm Adjustable Extension	£156.00
HLF007EXE	555-920mm Adjustable Extension	£183.00
HLF457ELB	45° Elbow	£109.00
HLF907ELB	90° Elbow	£131.00
HLF007WBK	Wall Bracket	£57.00
100KW	HIGH LEVEL & VERTICAL FLUE KITS & ACCESSORIES (200mm)	
HLF008HHL	High Level Flue Kit	£849.00
HLF008VHL	Vertical Flue Kit	£881.00
HLF008EXC	250mm Extension	£91.00
HLF008EXB	500mm Extension	£124.00
HLF008EXA	1000mm Extension	£200.00
HLF908ELB	90° Elbow	£145.00
HLF458ELB	45° Elbow	£116.00
HLF008EXD	250mm Adjustable Extension	£179.00
HLF008EXE	500mm Adjustable Extension	£247.00
HLF008WBK	Wall Bracket	£64.00

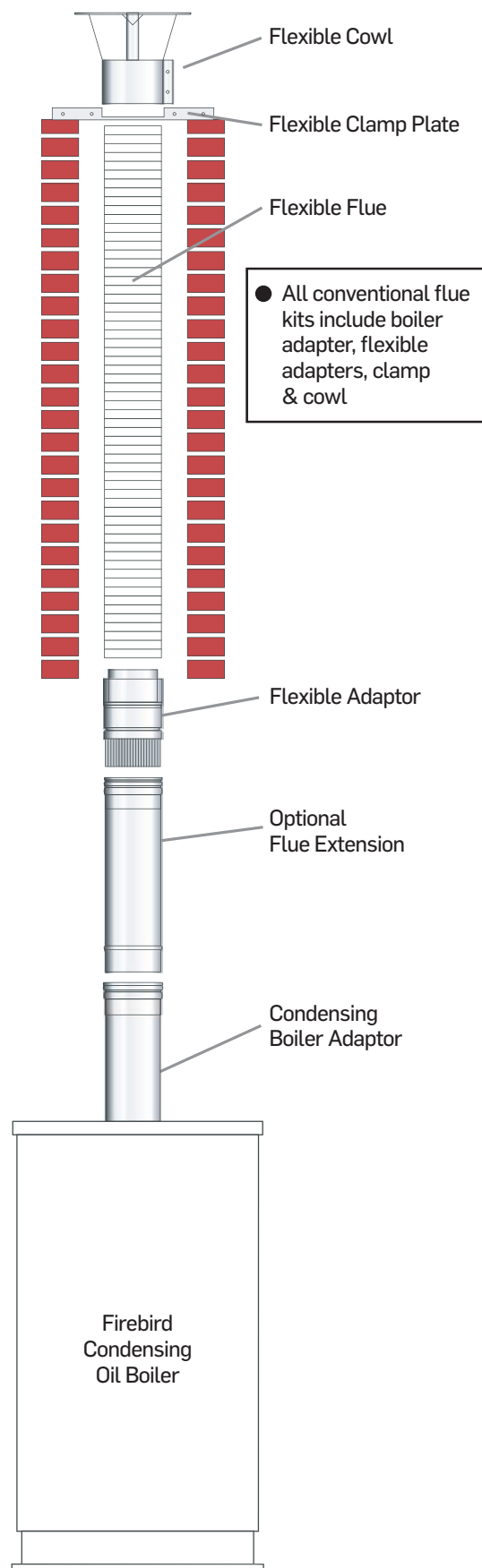


* Prices exclude VAT

Conventional Flue Kits & Accessories

Product Code	Product Description	Retail Price*
12-35KW CONVENTIONAL FLUE KITS** & ACCESSORIES (100mm)		
ECF003KIT	3m Kit	£462.00
ECF006KIT	6m Kit	£544.00
ECF008KIT	8m Kit	£691.00
ECF010KIT	10m Kit	£778.00
ECF012KIT	12m Kit	£853.00
ECF014KIT	14m Kit	£935.00
ECF016KIT	16m Kit	£1,025.00
ECF100EXB	1000mm Extension (White)	£81.00
ECF100EXC	500mm Extension (White)	£61.00
ECF100EXD	250mm Extension (White)	£49.00
ECF250ADJ	305-420mm Adjustable Extension (White)	£77.00
ECF500ADJ	555-920mm Adjustable Extension (White)	£93.00
ECF045ELB	45° Elbow (White)	£46.00
ECF100WBK	Wall Bracket	£43.00
ECF100ADP	Boiler Adaptor	£79.00
44-58KW CONVENTIONAL FLUE KITS** & ACCESSORIES (150mm)		
ECF606KIT	6m Kit	£618.00
ECF608KIT	8m Kit	£721.00
ECF610KIT	10m Kit	£824.00
ECF612KIT	12m Kit	£929.00
ECF614KIT	14m Kit	£1,032.00
ECF616KIT	16m Kit	£1,134.00
ECF150EXB	1000mm Extension (White)	£116.00
ECF150EXC	500mm Extension (White)	£70.00
ECF150EXD	250mm Extension (White)	£70.00
ECF256ADJ	305-420mm Adjustable Extension (White)	£107.00
ECF506ADJ	555-920mm Adjustable Extension (White)	£133.00
ECF456ELB	45° Elbow (White)	£71.00
ECF150WBK	Wall Bracket	£44.00
ECF150ADP	Boiler Adaptor	£106.00
73/100KW CONVENTIONAL FLUE KITS** & ACCESSORIES (180mm)		
ECF706KIT	6m Kit	£716.00
ECF708KIT	8m Kit	£838.00
ECF710KIT	10m Kit	£962.00
ECF712KIT	12m Kit	£1,084.00
ECF714KIT	14m Kit	£1,205.00
ECF716KIT	16m Kit	£1,328.00
ECF180EXB	1000mm Extension (White)	£132.00
ECF180EXC	500mm Extension (White)	£82.00
ECF180EXD	250mm Extension (White)	£82.00
ECF257ADJ	305-420mm Adjustable Extension (White)	£132.00
ECF507ADJ	555-920mm Adjustable Extension (White)	£150.00
ECF457ELB	45° Elbow (White)	£71.00
ECF180WBK	Wall Bracket	£85.00
ECF180ADP	Boiler Adaptor	£120.00

** Kits include: boiler adapter, flexible adaptor, clamp and cowl.



* Prices exclude VAT

Technical Specification

	Combi Boilers			Sealed System Boilers			Heat Only Boilers					
Heat Output kW	12-20+20-26	26-35	12-20+20-26	26-35	35-44	12-18	12-20+20-26	26-35	35-44+44-58	58-73	80-100	
Max. BTU/h ('000)	50-90	90-120	50-90	90-120	120-150	40-60	50-90	90-120	120-200	200-250	270-340	
CONNECTIONS	-	-	-	-	-	-	-	-	-	-	-	
Heating Flow	22 mm	28 mm	22 mm	28mm	1½" BSP	1" BSP	1" BSP	1" BSP	1½" BSP	1½" BSP	2" BSP	
Heating Return	22 mm	28 mm	1" BSP	1" BSP	1½" BSP	1" BSP	1" BSP	1" BSP	1½" BSP	1½" BSP	2" BSP	
Mains Cold Feed (Copper)	15 mm	15 mm	15 mm	15 mm	15 mm	-	-	-	-	-	-	
Hot Water Delivery (Copper)	15 mm	15 mm	-	-	-	-	-	-	-	-	-	
Drain Off Valve	½" BSP	½" BSP	½" BSP	½" BSP	½" BSP	½" BSP	½" BSP	½" BSP	½" BSP	½" BSP	½" BSP	
Safety Pressure Valve Outlet (Copper)	15 mm	15mm	15 mm	15 mm	15 mm	-	-	-	-	-	-	
Condensate Trap	22 mm PLASTIC		22 mm PLASTIC			-	-	-	-	-	-	
CIRCULATING PUMP	25/60	25/60	25/60	25/60	25/80	-	-	-	-	-	-	
Domestic Hot Water Plate Heat Exchanger	25 plate	31 plate	-	-	-	-	-	-	-	-	-	
Integral Expansion Vessel Normal Capacity	12 litres	12 litres	12 litres	12 litres	18 litres	-	-	-	-	-	-	
Expansion Vessel Pre-charge Pressure	1 bar	1 bar	1 bar	1 bar	1 bar	-	-	-	-	-	-	
Low Pressure Water Switch?	✓	✓	✓	✓	✓	✗	✗	✗	✗	✗	✗	
Filling Loop Included?	✓	✓	✓	✓	✓	✗	✗	✗	✗	✗	✗	
WATER CONTENT	-	-	-	-	-	-	-	-	-	-	-	
Boiler (Litres)	24	24	24	24	45	24	24	24	43.5	54	75	
Primary Tank Combi/Combipac (Litres)	40	40	-	-	-	-	-	-	-	-	-	
Slimline Combi (Litres)	11	11										
D.H.W. GUIDE PERFORMANCE**	-	-	-	-	-	-	-	-	-	-	-	
in litres/min (120 litre draw-off at 40°C Δt.)	16	20	-	-	-	-	-	-	-	-	-	
Combi/Combipac	16/18	20	-	-	-	-	-	-	-	-	-	
Slimline Combi	12/14	16	-	-	-	-	-	-	-	-	-	
FLUE (INDOOR BOILERS)	-	-	-	-	-	-	-	-	-	-	-	
Balanced Flue Assembly (mm)	125 (5")	125 (5")	125 (5")	125 (5")	150 (6")	125 (5")	125 (5")	125 (5")	150 (6")	180 (7")	200 (8")	
Conventional Flue Assembly (mm)	100 id.	100 id.	100 id.	100 id.	150 id.	100 id.	100 id.	100 id.	150 id.	180 id.	180 id.	
Max. Low Level Flue Length (metres)	3	3	3	3	3	3	3	3	3	3	3	
Max. High Level Flue Length (metres)	6	6	6	6	4	6	6	6	4	4	4	
Max. Vertical Level Flue Length (metres)	6	6	6	6	4	6	6	6	4	4	4	
Integral Flues On Heatpac Models	-	-	-	-	-	-	-	-	-	-	-	
HEATING SYSTEM (SEALED)	Fit in accordance with BS 7074 Part 1, BS 5449, OFTEC standards and all other relevant legislation.											
Max. Operating Pressure	2.5 bar		2.5 bar			-						
Max. System Pressure Cold	1.5 bar		1.5 bar			-						
Min. System Pressure Cold	0.5 bar		0.5 bar			-						
Preset Pressure Relief Valve	3 bar		3 bar			3 bar						
MAINS WATER SUPPLY PRESSURE	Min. 1 bar - Max. 10 bar (for user comfort, we recommend pressure at tap to be between 2 and 5 bar).											
	Limescale excess: When over 150/200 ppm, fit appropriate scale reducer.											
WATER SIDE RESISTANCE	Flow Rate To Give A Nominal Output At 10K Differential						20kW		26kW		35kW	
	Flow Rate Measured (Kg h-1)						1642		2135		2874	
	Waterside Resistance (mbar)						0.18		0.18		0.18	
	Flow Rate To Give A Nominal Output At 20K Differential						20kW		26kW		35kW	
	Flow Rate Measured (Kg h-1)						870		1131		1523	
	Waterside Resistance (mbar)						0.19		0.19		0.19	
PRESSURE JET OIL BURNERS	RIELLO RDB 2.2 up to C44 & RIELLO RDB 4.2 from C58 to C100											
FUEL	C2 Kerosene											
Electrical Supply	230V AC 50Hz 5A											
FROST THERMOSTATS	BOILER SAFETY LIMIT, FROST AND OVER-RUN THERMOSTATS FITTED ON ALL HEATPAC MODELS											
Frost Stat Fitted To All Outdoor Models												
Boiler Central Heating Control	60°C - 80°C		60°C - 80°C			60°C - 80°C						
Boiler Safety Limit	110°C		110°C			110°C						
Tank (DHW) - Fixed	78°C											
Early Alert - Fixed	87°C											
Over-run - Fixed	93°C		87°C			87°C (Heatpac, Slimline Heatpac & Kitchen only)						

**Where water demand exceeds this, a flow restrictor is recommended. This will ensure a water supply at an adequate temperature.

Standard Efficiency Flues

Prices available upon request

*Prices exclude VAT

Delivery & Restocking Charges

Delivery Charges

Most orders are delivered to UK mainland customers within 1 to 2 working days. Our delivery charges to UK mainland customers are set out below. Firebird reserves the right to amend these charges at short notice. In all cases delivery times quoted are estimates only. No subsequent liability will be accepted by us for any late deliveries howsoever caused.

BOILERS		FLUES PARTS & ACCESSORIES	
Standard Delivery	No charge	Flue Parts*	£10.00
Next Day AM	£35.00	Flue Kits*	£25.00
Next Day Timed	£50.00	Flexi Flue Kits*	£45.00

*No charge if sent with boiler order

SPARE PARTS	
Net order value over £100.00	No charge
Net order value under £100.00	£10.00
Next Day AM	£17.00
Saturday Delivery	£30.00

Delivery charges are for business addresses only - delivery to private addresses may incur an additional charge. We will advise if there are any additional carriage charges once we've received the order details.

Restocking Charges

Surplus goods returned for credit will incur a 15% restocking charge. Collection charges will also apply as follows:

PRODUCT	
Boilers	£75.00 (per pallet)
Flue Kits	£45.00
Parts - Flues or Spares	£20.00

5 Year Boilerguard - Extended Warranty**

Your Firebird boiler is designed and built to the highest standards and backed by a two year parts and labour warranty. In the unlikely event that your boiler breaks down between years two and five after installation, 5 Year Boilerguard will protect you from the repair costs that you would have to pay. 5 Year Boilerguard has been devised by Bluefin Insurance Services who have over 40 years experience in heating insurance, the scheme is underwritten by Aviva Insurance Limited. One single payment of £181.42 provides three years cover following expiration of the two year manufacturer's warranty. Payment must be sent within six months of installation of the boiler.

**Terms & Conditions apply. Please contact Firebird Products Ltd for full details and application form.

Warranty Details / Terms & Conditions

Oil Boilers

Firebird provides a 5 year warranty on the boiler shell and a 2 year warranty on all other parts from date of installation, provided installation has occurred within 12 months from date of purchase, subject to the terms below.

Warranty Terms & Conditions

Warranty implies that the product shall be free from defective parts or workmanship. Firebird will repair or replace, free of charge, goods or any part of such goods which are defective due to defective materials or workmanship, only provided that:

- Installation and commissioning of the product was in accordance with the Firebird installation manual and all relevant standards and codes of practice.
- Installation and commissioning was carried out by a competent qualified person using the correct installation and test equipment.
- A copy of the commissioning record was returned to Firebird within 30 days of the installation.
- Maintenance was carried out at the intervals stated in the installation manual.
- All claims under the warranty programme are within the above stated time limits.

- Firebird is satisfied that the defect in the goods is not due to wear and tear, accident, misuse, improper operation or neglect. Firebird will not accept any liability in respect of any defect occurring on the product due to lime-scale build-up and or low return water temperature.
- The goods have not been altered or used to carry loads or for any purpose other than those for which the goods are suitable as shown in the Firebird's literature.
- Firebird shall not be responsible for any delay in repairing or replacing defective parts, nor for any consequential loss sustained by the purchaser by reason of such defects, not for any damage of the goods while in transit or from the purchaser's premises or while in the possession of Firebird.
- The warranty programme extends to reasonable costs EXCEPT in the case of a 5 year warranty period whereby any valid claim made after 3 years will not include labour costs.
- Firebird's prior authorisation must be obtained before examination or repair of the product takes place.
- Firebird will examine all claims made under the warranty programme and for any claims that are deemed invalid, the costs incurred will be borne by the owner.
- Any defective part removed under any or all of the warranty programmes MUST be returned to Firebird.

A full set of the Terms & Conditions are available on request and can be found on our website: www.firebird.uk.com



This catalogue was correct at the time of going to print. However, Firebird's policy is one of continuous development. The right is reserved to change specifications, colour and prices of the models and items illustrated in this publication at any time. Whilst every care has been exercised in the production of this publication, Firebird cannot accept any liability for errors or omissions. For the latest details always contact Firebird. Print Date November 2016. All prices are subject to VAT @ 20%

Contact

Tel: 01752 691177
Fax: 01752 691131
Email: sales@firebird.uk.com

Firebird Products Limited
Phoenix House
Eastern Wood Road
Langage Business Park
Plympton, Plymouth
PL7 5ET