

Retek[®] Retail Server[™] 11.1

Data Model

ORACLE[®]

**Retek**

Corporate Headquarters:

Retek Inc.
Retek on the Mall
950 Nicollet Mall
Minneapolis, MN 55403
USA
888.61.RETEK (toll free US)
Switchboard:
+1 612 587 5000
Fax:
+1 612 587 5100

European Headquarters:

Retek
110 Wigmore Street
London
W1U 3RW
United Kingdom
Switchboard:
+44 (0)20 7563 4600
Sales Enquiries:
+44 (0)20 7563 46 46
Fax:
+44 (0)20 7563 46 10

The software described in this documentation is furnished under a license agreement, is the confidential information of Retek Inc., and may be used only in accordance with the terms of the agreement.

No part of this documentation may be reproduced or transmitted in any form or by any means without the express written permission of Retek Inc., Retek on the Mall, 950 Nicollet Mall, Minneapolis, MN 55403, and the copyright notice may not be removed without the consent of Retek Inc.

Information in this documentation is subject to change without notice.

Retek provides product documentation in a read-only-format to ensure content integrity. Retek Customer Support cannot support documentation that has been changed without Retek authorization.

Retek[®] Retail Server[™] is a trademark of Retek Inc.

Retek and the Retek logo are registered trademarks of Retek Inc.

This unpublished work is protected by confidentiality agreement, and by trade secret, copyright, and other laws. In the event of publication, the following notice shall apply:

©2005 Retek Inc. All rights reserved.

All other product names mentioned are trademarks or registered trademarks of their respective owners and should be treated as such.

Printed in the United States of America.

Customer Support

Customer Support hours

Customer Support is available 7x24x365 via email, phone, and Web access.

Depending on the Support option chosen by a particular client (Standard, Plus, or Premium), the times that certain services are delivered may be restricted. Severity 1 (Critical) issues are addressed on a 7x24 basis and receive continuous attention until resolved, for all clients on active maintenance. Retek customers on active maintenance agreements may contact a global Customer Support representative in accordance with contract terms in one of the following ways.

Contact Method Contact Information

E-mail support@retек.com

Internet (ROCS) rocs.retек.com
Retek's secure client Web site to update and view issues

Phone +1 612 587 5800

Toll free alternatives are also available in various regions of the world:

Australia	+1 800 555 923 (AU-Telstra) or +1 800 000 562 (AU-Optus)
France	0800 90 91 66
United Kingdom	0800 917 2863
United States	+1 800 61 RETEK or 800 617 3835

Mail Retek Customer Support
Retek on the Mall
950 Nicollet Mall
Minneapolis, MN 55403

When contacting Customer Support, please provide:

- Product version and program/module name.
- Functional and technical description of the problem (include business impact).
- Detailed step-by-step instructions to recreate.
- Exact error message received.
- Screen shots of each step you take.

Overview

Following is an overview of the two sections of the data model:

- Relational Integrity Diagrams
- Data Dictionary Language

Relational Integrity Diagrams

These diagrams show the relationship between the various tables within functional area. They include:

- Table names
- Column names
- Primary and foreign keys

Data Dictionary Language

This section includes the Data Dictionary Language (DDLs) for the Retek Retail Server database. The DDLs include:

- Table names and descriptions
- Column summaries
- Primary and foreign keys (if applicable)
- Check constraints (if applicable)
- Index summaries (if applicable)
- Column detail information

DES_MATERIALS (RetailServer11.1)



# *	789	MATERIAL_ID
○	789	MATERIAL_TYPE
○	A	PART_CODE
○	A	DESCRIPTION
○	A	SPEC_CODE
○	A	MEASURE_UNIT
○	789	SUPPLIER_PRICE
○	789	PURCHASE_PRICE
○	789	LEAD_TIME
○	A	SUPPLIER_CODE
○	A	COLOUR_REF
○	A	CARE_INSTRUCTIONS
○	A	CONFIRMED
○	789	WIDTH
○	A	CURRENCY_NAME
○	A	SPECIAL_INSTRUCTIONS
○	789	FABRIC_WIDTH1
○	789	FABRIC_WIDTH2
○	A	WEAVE_REF
○	A	PRINT_REF
○	789	WEIGHT
○	789	ENTERPRISE_ID

DEPARTMENTS (RetailServer11.1)



# *	789	DEPARTMENTID
○	A	DEPARTMENTNAME
○	A	DEPARTMENTNUMBER
○	789	DIVISIONID
○	789	ENTERPRISE_ID

ENT_AUDIT (RetailServer11.1)



# *	789	AUDIT_ID
○	789	AUDIT_EVENT
○	789	AUDIT_WHEN
○	31	AUDIT_TIMESTAMP
○	A	AUDIT_DETAIL
○	789	AUDIT_TARGET
○	A	AUDIT_TARGET_DETAIL
○	789	USER_ID
○	A	USER_NAME
○	A	USER_ADDRESS
○	789	CLEARED
○	789	ENTERPRISE_ID

WT_ENTERPRISES (RetailServer11.1)



# *	789	ENTERPRISE_ID
○	A	ENTERPRISE_CODE
○	A	LOOKUP_CODE
○	789	CATEGORY_ID
○	789	ETYPE_ID
○	A	COMPANY_NAME
○	A	LOOKUP_NAME
○	A	CONTACT_EMAIL
○	789	COMPANY_COUNTRY
○	789	INITIAL_ADMIN_ID
○	A	ADDRESS_INFO
○	A	SERVICE_LIST

BCI_DATA_SETS (RetailServer11.1)



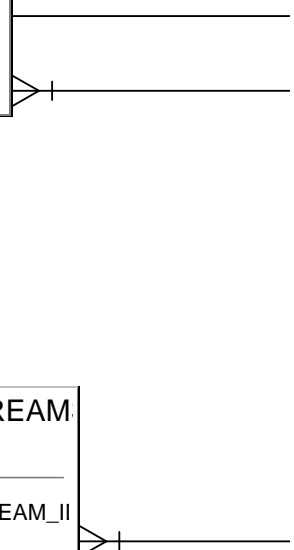
# *	789	DATA_SET_ID
*	789	DATA_STREAM_ID
*	789	ENTERPRISE_DATA_STREA
*	31	CREATE_DATE
○	A	DATA_FILE_DIR
○	A	DATA_FILE_NAME
○	A	DATA_SET_STATUS
○	789	USER_ID

BCI_ENTERPRISE_DATA_STREAM.



# *	789	ENTERPRISE_DATA_STREAM_ID
*	789	ENTERPRISE_ID
*	789	DATA_STREAM_ID
*	A	FILE_TYPE
*	A	DESCRIPTION
○	789	PURGE_DURATION

BCI_DS_FK2



BCI_STEP_STATUSES (RetailServer)			
# *	789		DATA_SET_ID
# *	789		DATA_STREAM_STEP_ID
○			START_DATE
○			END_DATE
○	A		ERROR_FILE_NAME
○	A		ERROR_MESSAGE
○	A		STEP_STATUS

WT_TYPES (RetailServer1)			
# *	789		TYPE_ID
○	A		TYPENAME
○	A		TYPEVALUE
○	789		APPLICATION_USE

BCI_CHANNEL_PARAMS (RetailS)			
# *	789		PARAMETER_ID
*	789		CHANNEL_ID
*	A		PARAMETER_NAME
○	A		PARAMETER_DESC

BCI_DATA_STREAM_STEPS (Retai)			
# *	789		DATA_STREAM_STEP_ID
*	789		DATA_STREAM_ID
*	789		STEP_NBR
*	A		STEP_DESC
*	A		JAVA_CLASS_NAME
*	A		METHOD_NAME
○	789		STEP_CONTEXT_VALUES_ID

BCI_GUI_OBJECT_VALUES (Retr)			
# *	789		DATA_SET_ID
# *	789		DETAIL_ID
○	A		FREEFORM
○	A		READ_ONLY

BCI_DATA_STREAMS (Retr)			
# *	789		DATA_STREAM_ID
*	A		DATA_STREAM_DES

BCI_GUI_OBJECT_DETAIL			
# *	789		DETAIL_ID
○	789		HEADER_ID
○	A		LABEL
○	A		VALUE
○	789		SEQ
○	A		IS_DEFAULT
○	A		DESCRIPTION

BCI_SS_FK1

BCI_CP_FK1

BCI_DS_FK1

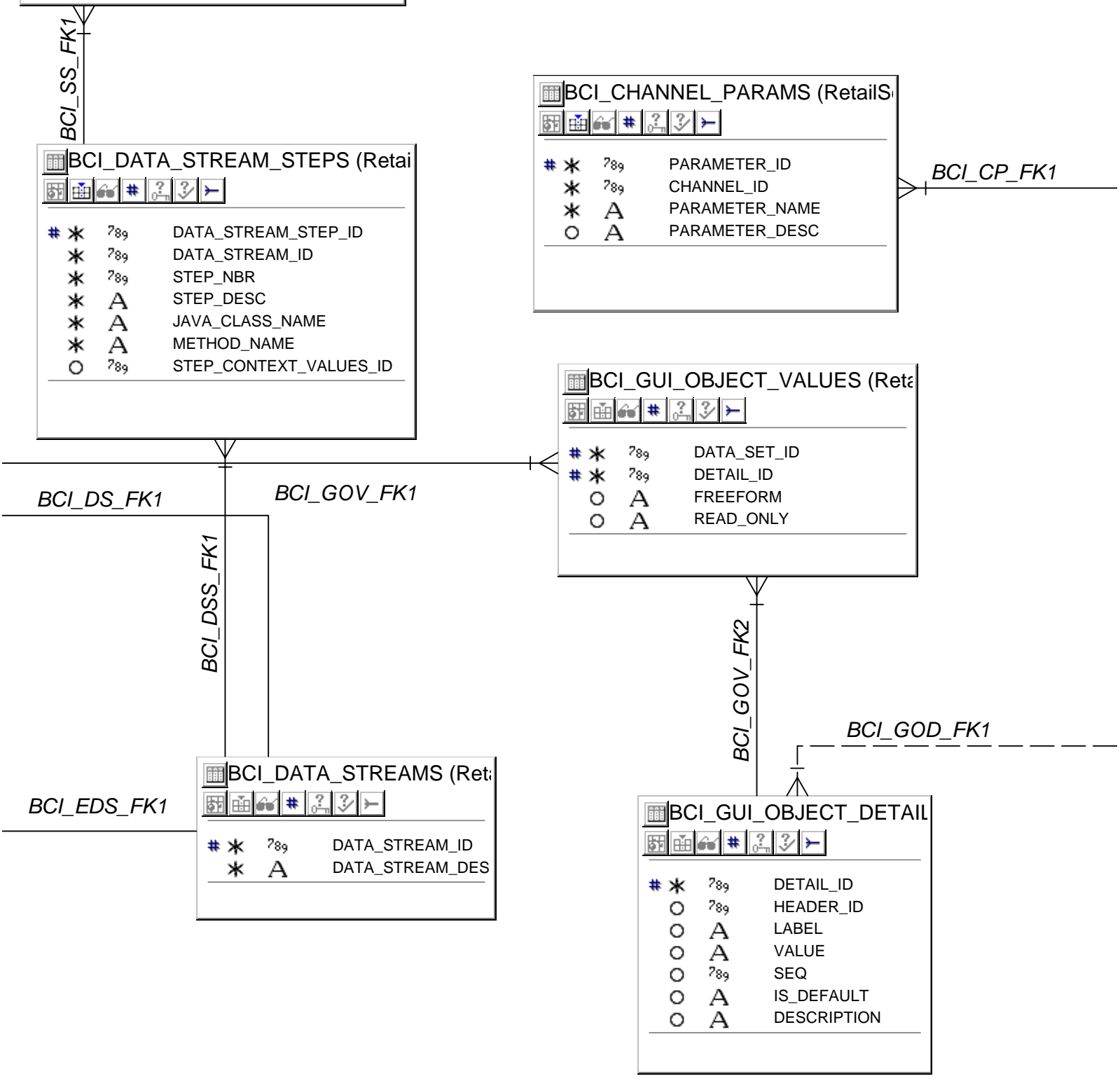
BCI_GOV_FK1

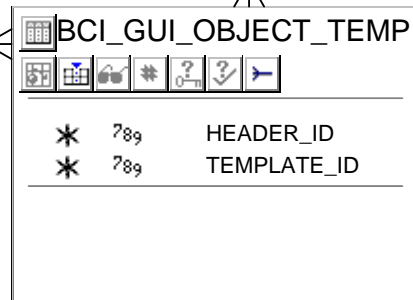
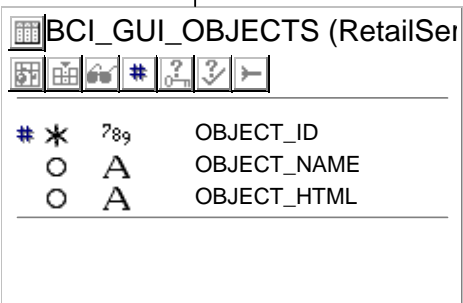
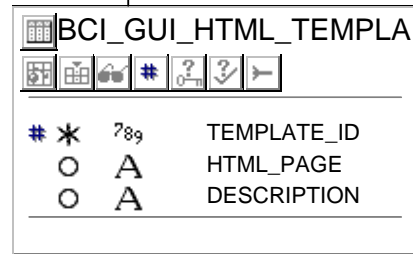
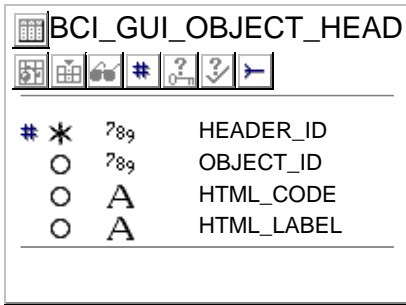
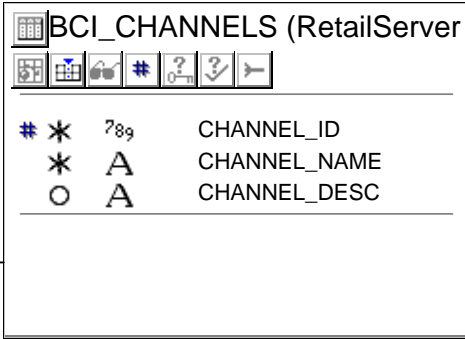
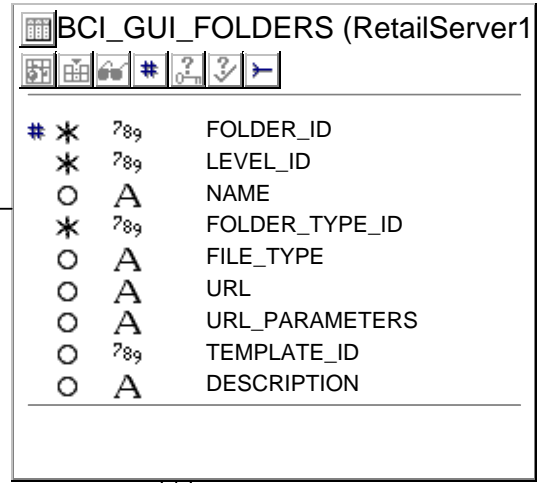
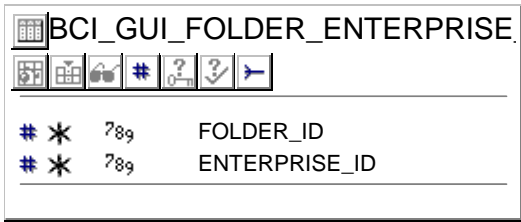
BCI_DSS_FK1

BCI_GOV_FK2

BCI_GOD_FK1

BCI_EDS_FK1





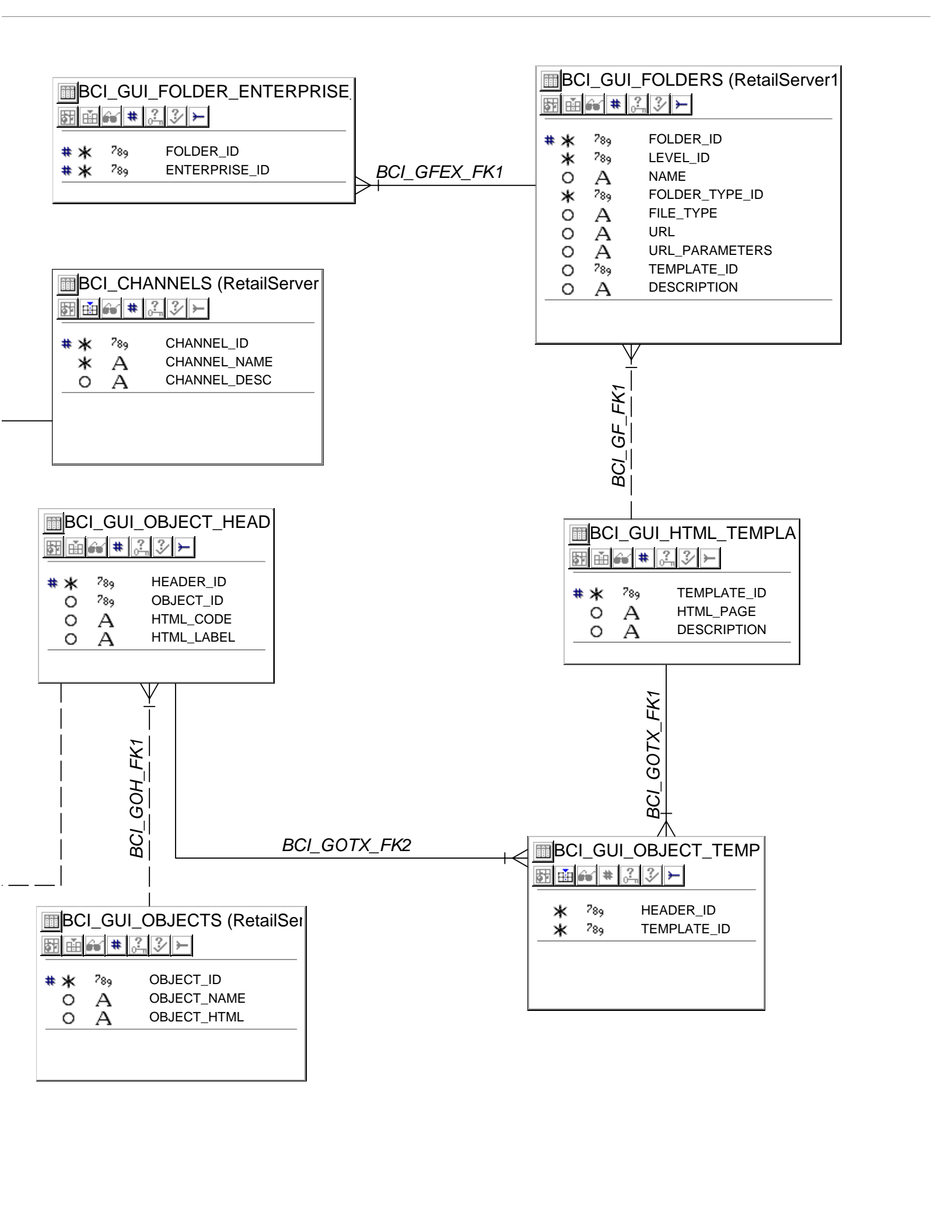
BCI_GFEX_FK1

BCI_GF_FK1

BCI_GOH_FK1

BCI_GOTX_FK2

BCI_GOTX_FK1



CONFIGURATION (RetailServer11.1)			
PK	FK	DT	CD
# *	A		PARAMETER
○	A		SETTING
○	A		DESCRIPTION
○	789		INT_VALUE
# *	789		ENTERPRISE_ID

ENT_STAMPS (RetailServer11.1)			
PK	FK	DT	CD
# *	A		STAMP_KEY
○	789		STAMP

ENT_MCLDATA (RetailServer11.1)			
PK	FK	DT	CD
○	789		APPLICATION_NUMBER
○	A		LIST_CODE
○	A		VIEW_CODE
○	789		USER_ID
○	789		CODE
○	789		POSITION
○	789		WIDTH
○	A		OPTIONS
○	789		ENTERPRISE_ID

ENT_WORKFLOWHISTORY (RetailServer11.1)			
PK	FK	DT	CD
# *	789		HISTORY_ID
○	789		STATE_ID
○	A		STATE_NAME
○	789		APPLICATION
○	789		APPLICATION_KEY
○	789		APPLICATION_FILTER
○	789		USER_ID
○	789		ENTRY_DATE
○	A		ENTRY_TEXT
○	789		ENTERPRISE_ID

ENT_ALTUSERS (RetailServer11.1)			
PK	FK	DT	CD
# *	789		USER_ID
# *	A		APPCODE
# *	789		ALTUSER_ID
○	789		ENTERPRISE_ID

ENT_PHASES (RetailServer11.1)			
PK	FK	DT	CD
# *	789		PHASE_ID
○	A		PHASE_NAME
○	A		PHASE_CODE
○	789		SEASON_ID
○	789		PHASE_START
○	789		PHASE_END
○	789		ENTERPRISE_ID

WT_SRVUSERTYPES (RetailServer11.1)			
PK	FK	DT	CD
# *	789		USERTYPE_ID
○	789		SERVICE_ID
○	A		TYPE_KEY
○	A		TYPE_DESCRIPTION
○	789		TYPE_TYPE
○	789		DEFAULT_ON

LABELFIELDVALUES (RetailServer11.1)			
PK	FK	DT	CD
# *	789		FIELDVALUEID
○	789		LABELFIELDID
○	A		FIELDTEXT
○	789		FIELDICON
○	789		FIELDVALUE
○	789		ENTERPRISE_ID

QUALITYFORMS (RetailServer11.1)



<input checked="" type="radio"/>	*	789	QFORMTYPE
<input type="radio"/>	A		QDESCRIPTION
<input type="radio"/>	A		QPAGES
<input checked="" type="radio"/>	*	789	ENTERPRISE_ID
<input checked="" type="radio"/>	*	A	QAPPCODE
<input type="radio"/>		0101	SPECSHEET
<input type="radio"/>		789	UPLOADTIME

PLAN_PLANDATA (RetailServer11.1)



<input type="radio"/>		789	PLAN_ID
<input type="radio"/>		789	METRIC_DATE
<input type="radio"/>		789	DIVISION_ID
<input type="radio"/>		789	DEPARTMENT_ID
<input type="radio"/>		789	CLASS_ID
<input type="radio"/>		789	SUBCLASS_ID
<input type="radio"/>	A		MARKET_NAME
<input type="radio"/>	A		METRIC_CODE
<input type="radio"/>		789	METRIC_VALUE
<input type="radio"/>		789	ENTERPRISE_ID

ENT_EVENTS (RetailServer11.1)



<input checked="" type="radio"/>	*	789	PATH_ID
<input checked="" type="radio"/>	*	789	EVENT_ID
<input type="radio"/>	A		EVENT_NAME
<input type="radio"/>		789	EVENT_NAME_ID
<input type="radio"/>		789	PATH_OWNER_ID
<input type="radio"/>		789	EVENT_ENTERPRISE_ID
<input type="radio"/>		789	EVENT_CONTACT_ID
<input type="radio"/>		789	PLAN_DATE
<input type="radio"/>		789	REVISED_DATE
<input type="radio"/>		789	ACTUAL_DATE
<input type="radio"/>		789	DONE
<input type="radio"/>		789	SERIAL
<input type="radio"/>		789	AMBERDAYS
<input type="radio"/>		789	REDDAYS
<input type="radio"/>		789	REMINDERDAYS
<input type="radio"/>		789	AMBER_ALERTED
<input type="radio"/>		789	RED_ALERTED
<input type="radio"/>		789	REMINDER_SENT
<input type="radio"/>		789	ENTERPRISE_ID
<input checked="" type="radio"/>	*	789	ENT_EVENT_ID
<input type="radio"/>	A		EVENT_DEPENDENCIES
<input type="radio"/>		789	NST_PATH_ID
<input type="radio"/>		789	INITIAL_DATE
<input type="radio"/>		789	EVENT_FLAGS

ORDERS (RetailServer11.1)



<input checked="" type="radio"/>	*	789	ORDERID
<input type="radio"/>	A		ORDERNUMBER
<input type="radio"/>		789	DEPARTMENTID
<input type="radio"/>		789	SUPPLIERID
<input type="radio"/>		789	TOTALQUANTITY
<input type="radio"/>		789	DUEDATE
<input type="radio"/>		789	CREATEDATE
<input type="radio"/>	A		TRACKOPTION
<input type="radio"/>	A		DRAFTPATHMADE
<input type="radio"/>	A		ITEMPATHMADE
<input type="radio"/>		789	ITEMCOUNT
<input type="radio"/>		789	AMENDMENTS
<input type="radio"/>		789	ENTERPRISE_ID
<input type="radio"/>	A		ORDERCOMMENT
<input type="radio"/>		789	ORDERTYPE

COUNTRIES (RetailServer11.1)



<input checked="" type="radio"/>	*	789	COUNTRYID
<input type="radio"/>	A		COUNTRYNAME
<input type="radio"/>	A		DIALCODE
<input type="radio"/>		789	ACTIVECOUNTRY
<input type="radio"/>	A		COUNTRYCODE
<input type="radio"/>	A		CURRENCYCODE
<input type="radio"/>	A		CURRENCYUNIT
<input type="radio"/>		789	ENTERPRISE_ID

MATRICES (RetailServer11.1)



<input checked="" type="radio"/>	*	789	MATRIXID
<input type="radio"/>	A		MATRIXNAME
<input type="radio"/>	A		DESCRIPTION
<input type="radio"/>		789	COLUMNCOUNT
<input type="radio"/>		789	ROWCOUNT
<input type="radio"/>	A		WIDTHS
<input type="radio"/>		789	ISMATRIX
<input type="radio"/>		789	ENTERPRISE_ID
<input type="radio"/>	A		APPCODE
<input type="radio"/>	A		IMAGENAMES

LABELFIELDS (RetailServer11.1)



<input checked="" type="radio"/>	*	789	LABELFIELDID
<input type="radio"/>	A		FIELDNAME
<input type="radio"/>		789	FIELD COST
<input type="radio"/>		789	VALUEGENERATION
<input type="radio"/>		789	ENTERPRISE_ID

ENT_PARTNERS (RetailServ			
# *	789		ENTPARTNER_ID
○	789		PARTNER_ID
○	789		CONTACT_ID
○	789		STATUS
○	789		CREATION_DATE
○	A		ACCOUNT_NUMBER
○	789		ENTERPRISE_ID
○	A		PARTNER_CODE
○	789		PARTNER_ACCOUNTING

COSTINGDATA (RetailServer11.1)			
# *	789		WORKSHEETID
○	10101		COSTDATA
# *	789		TYPE
○	789		ENTERPRISE_ID

BCI_MANUAL_PURGE (Ret			
*	789		PURGE_ID
*	A		TYPE_ID

ENT_USERS (RetailServer11.1)			
# *	789		USER_ID
○	A		USERNAME
○	A		REAL_USERNAME
○	A		PASSWORD
○	A		FIRSTNAME
○	A		LASTNAME
○	A		REAL_EMAIL
○	789		TYPE_ID
○	789		ACCT_MANAGER
○	789		LOCATION_ID
○	A		ADDRESS_INFO
○	789		COUNTRY_ID
○	789		ADMIN_TYPE
○	789		USER_FLAGS
○	A		DEPARTMENT_LIST
○	A		SERVICE_LIST
○	A		USER_PREFERENCES
○	A		USER_COMMENTS
○	789		ENTERPRISE_ID
○	789		PASSWORD_TIME
○	789		ACCOUNT_STATUS
○	789		LOCKOUT_UNTIL
○	A		PREFERRED_LANGUAGE
○	789		LOCAL_TYPE_ID

ENT_WORKFLOWSTATES (
# *	789		STATE_ID
○	A		STATE_NAME
○	789		STATE_ROLE
○	A		STATE_DESCRIPTION
○	789		APPLICATION
○	789		STATE_ORDER
○	789		ENTERPRISE_ID
○	789		STATE_DATA

ENT_MCLHEADINGS (RetailS			
○	789		APPLICATION_NUMBER
○	A		LIST_CODE
○	A		VIEW_CODE
○	789		USER_ID
○	789		CODE
○	A		HEADING
○	A		LANGUAGE_CODE
○	789		ENTERPRISE_ID

CRITICALPATHS (RetailServ			
# *	789		PATHID
○	A		PATHDESCRIPTION
○	789		BUYERID
○	789		PUBLISHERID
○	789		DEPARTMENTID
○	789		AVAILDATE
○	789		ONSALEDATE
○	789		STATE
○	789		PROTECTION
○	789		QUANTITY
○	789		COMMITQUANTITY
○	789		ACTUALQUANTITY
○	A		ACTUALCOMMENT
○	A		BUYERCOMMENT
○	789		SEASONID
○	A		ORDERNUMBER
○	A		STYLENUMBER
○	A		OPTIONNUMBER
○	789		SUPPLIERID
○	789		ACCOUNTID
○	789		CREATIONDATE
○	789		COMMITDATE
○	789		PUBLISHDATE
○	789		FACTORYID
○	789		COUNTRYID
○	789		PRODUCTID
○	789		COLOURID
○	A		SUPPLIERREFERENCE
○	789		FIRSTNOTDONEID
○	789		FIRSTNOTDONDONEDATE

BCI_GUI_FOLDER_TREE (R			
# *	789		FOLDER_TREE_ID
*	789		CHILD_FOLDER_ID
○	789		PARENT_FOLDER_ID
*	789		CHILD_LEVEL_ID

MATRIXMAP (RetailServer11.			
# *	789		QFORMTYPE
# *	A		APPCODE
# *	789		MATRIXID
# *	A		MAP_NAME
○	789		ITEM_TYPE
○	789		ROW_NUMBER
○	789		COL_NUMBER
○	A		DATA_TYPE
# *	789		ENTERPRISE_ID
○	A		CELL_NAME

TERMS (RetailServer11.1)			
# *	789		TERMINDEX
○	A		TERMNAME
○	A		SINGULAR
○	A		PLURAL
○	A		DESCRIPTION
○	789		ENTERPRISE_ID
○	A		LANGUAGE_CODE
○	A		LOCAL_NAME

BCI_FILE_TYPES (RetailServer11.1)			
<input checked="" type="checkbox"/>	*	789	FILE_TYPE_ID
<input checked="" type="checkbox"/>	A		NAME
<input checked="" type="checkbox"/>	*	789	DEFAULT_DS_ID
<input type="checkbox"/>	A		FILE_TYPE_DESC
<input type="checkbox"/>	A		LINK_TO_APP

SIZECHARTS (RetailServer11.1)			
<input checked="" type="checkbox"/>	*	789	SIZECHARTID
<input type="checkbox"/>	A		CHARTNAME
<input type="checkbox"/>	*	789	SIZECOLUMNS
<input type="checkbox"/>	*	789	DEPARTMENTID
<input type="checkbox"/>	A		SIZECHART
<input type="checkbox"/>	A		SIZECHARTCODE
<input type="checkbox"/>	*	789	ENTERPRISE_ID
<input type="checkbox"/>	A		SCOPE

MAILINSERTS (RetailServer11.1)			
<input type="checkbox"/>	*	789	INSERTCODE
<input type="checkbox"/>	A		INSERTNAME
<input checked="" type="checkbox"/>	*	A	INSERTABBREV
<input checked="" type="checkbox"/>	*	789	APPLICATION

PALETTECOLOURS (RetailServer11.1)			
<input checked="" type="checkbox"/>	*	789	NEWCOLOURID
<input type="checkbox"/>	A		COLOURNAME
<input type="checkbox"/>	A		COLOURCODE
<input type="checkbox"/>	*	789	RGB
<input type="checkbox"/>	A		SEASONLIST
<input type="checkbox"/>	A		SCOPE
<input type="checkbox"/>	*	789	ENTERPRISE_ID

ENT_PARTNERDEPTS (RetailServer11.1)			
<input checked="" type="checkbox"/>	*	789	ENTPARTNER_ID
<input checked="" type="checkbox"/>	*	789	DEPARTMENT_ID
<input type="checkbox"/>	*	789	ENTERPRISE_ID

ENT_SRVUSERTYPES (RetailServer11.1)			
<input checked="" type="checkbox"/>	*	789	USERTYPE_ID
<input type="checkbox"/>	*	789	SERVICE_ID
<input checked="" type="checkbox"/>	*	789	USER_ID
<input checked="" type="checkbox"/>	*	789	ENTERPRISE_ID
<input checked="" type="checkbox"/>	*	789	GRANTING_ENTERPRISE_ID
<input type="checkbox"/>	*	789	DENIED

ENT_PARAMVALUES (RetailServer11.1)			
<input checked="" type="checkbox"/>	*	789	PARAMVALUE_ID
<input type="checkbox"/>	*	789	PARAMETER_ID
<input type="checkbox"/>	*	789	VALUE_NUM
<input type="checkbox"/>	A		VALUE_STR
<input type="checkbox"/>	*	789	START_DATE
<input type="checkbox"/>	*	789	END_DATE
<input type="checkbox"/>	*	789	ACTIVE_FLAG

WT_SERVICES (RetailServer11.1)			
<input checked="" type="checkbox"/>	*	789	SERVICE_ID
<input type="checkbox"/>	*	789	SERVICE_ORDERING
<input type="checkbox"/>	A		SERVICE_NAME
<input type="checkbox"/>	A		SERVICE_KEY
<input type="checkbox"/>	*	789	SERVICE_STATE
<input type="checkbox"/>	A		ACTIVE_URL
<input type="checkbox"/>	A		INACTIVE_URL
<input type="checkbox"/>	*	789	FREE_DAYS
<input type="checkbox"/>	*	789	MONTHLY_CHARGE
<input type="checkbox"/>	*	789	SERVICE_TYPE
<input type="checkbox"/>	A		ADMIN_URL

ENT_OBJECTSTORE (RetailServer11.1)			
<input checked="" type="checkbox"/>	*	789	OBJECT_ID
<input type="checkbox"/>	A		OBJECT_TYPE
<input type="checkbox"/>	A		OBJECT_SUBTYPE
<input type="checkbox"/>	A		OBJECT_NAME
<input type="checkbox"/>	*	789	OBJECT_DATE
<input type="checkbox"/>			OBJECT_DATA
<input type="checkbox"/>	*	789	USER_ID
<input type="checkbox"/>	*	789	OWNER_ID
<input type="checkbox"/>	*	789	ENTERPRISE_ID

DES_STYLES (RetailServer11.1)			
#	*	?	
<input checked="" type="radio"/>	*	789	STYLE_ID
<input type="radio"/>	A		SHORT_NAME
<input type="radio"/>	A		LONG_NAME
<input type="radio"/>	789		CREATION_DATE
<input type="radio"/>	789		CHANGE_DATE
<input type="radio"/>	789		RETAILER_ID
<input type="radio"/>	789		R_DEPT_ID
<input type="radio"/>	789		R_CLASS_ID
<input type="radio"/>	789		R_SUBCLASS_ID
<input type="radio"/>	789		R_SEASON_ID
<input type="radio"/>	789		R_PHASE_ID
<input type="radio"/>	789		R_BUYER_ID
<input type="radio"/>	789		R_QUALITY_ID
<input type="radio"/>	789		R_DESIGNER_ID

ENT_SEASONS (RetailServer11.1)			
#	*	?	
<input checked="" type="radio"/>	*	789	SEASON_ID
<input type="radio"/>	A		SEASON_NAME
<input type="radio"/>	A		SEASON_CODE
<input type="radio"/>	789		SEASON_START
<input type="radio"/>	789		SEASON_END
<input type="radio"/>	789		ENTERPRISE_ID

ENT_ITEMS (RetailServer11.1)			
#	*	?	
<input checked="" type="radio"/>	*	789	ITEM_ID
<input type="radio"/>	A		ITEM_NAME
<input type="radio"/>	789		ITEM_TYPE
<input type="radio"/>	789		DEPARTMENT_ID
<input type="radio"/>	A		STYLE_NUMBER
<input type="radio"/>	A		VENDOR_NUMBER
<input type="radio"/>	A		CLASS_NAME
<input type="radio"/>	A		SUBCLASS_NAME
<input type="radio"/>	A		COLOUR_LIST
<input type="radio"/>	789		UNIT_VALUE
<input type="radio"/>	A		ATTRIBUTE_LIST
<input type="radio"/>	A		ITEM_COMMENTS
<input type="radio"/>	789		ENTERPRISE_ID
<input type="radio"/>	A		ITEM_EXTRAS

MATRIXROWS (RetailServer11.1)			
#	*	?	
<input type="radio"/>	789		MATRIXROWID
<input type="radio"/>	789		MATRIXID
<input type="radio"/>	789		WORKSHEETID
<input type="radio"/>	789		INDEXNUMBER
<input type="radio"/>	789		ROWORDER
<input type="radio"/>	A		COLUMN1
<input type="radio"/>	A		COLUMN2
<input type="radio"/>	A		COLUMN3
<input type="radio"/>	A		COLUMN4
<input type="radio"/>	A		COLUMN5
<input type="radio"/>	A		COLUMN6
<input type="radio"/>	A		COLUMN7
<input type="radio"/>	A		COLUMN8
<input type="radio"/>	A		COLUMN9
<input type="radio"/>	A		COLUMN10
<input type="radio"/>	A		COLUMN11
<input type="radio"/>	A		COLUMN12
<input type="radio"/>	A		COLUMN13
<input type="radio"/>	A		COLUMN14
<input type="radio"/>	A		COLUMN15
<input type="radio"/>	A		COLUMN16
<input type="radio"/>	789		ENTERPRISE_ID
<input type="radio"/>	A		APPCODE
<input type="radio"/>	A		APPKEY

MAIL (RetailServer11.1)			
#	*	?	
<input checked="" type="radio"/>	*	789	MAILID
<input type="radio"/>	A		LOOKUP
<input type="radio"/>	A		SHORTNAME
<input type="radio"/>	A		DESCRIPTION
<input type="radio"/>	A		SUBJECT
<input type="radio"/>	A		MAILTEXT
<input type="radio"/>	789		MAILTO
<input type="radio"/>	789		GROUPID
<input type="radio"/>	A		GROUPLOOKUP
<input type="radio"/>	789		MAILTYPE
<input type="radio"/>	789		APPLICATION
<input type="radio"/>	789		ENTERPRISE_ID

BCI_STEP_CONTEXT_VALUES (RetailServer11.1)			
#	*	?	
<input checked="" type="radio"/>	*	789	STEP_CONTEXT_VALUES_ID
<input checked="" type="radio"/>	*	A	CONTEXT_NAME
<input type="radio"/>	A		CONTEXT_VALUE
<input type="radio"/>	A		DESCRIPTION

BCI_GUI_FOLDER_TYPES (RetailServer11.1)			
# *	789	FOLDER_TYPE_ID	
○	A	NAME	
○	A	DESCRIPTION	

DIVISIONS (RetailServer11.1)			
# *	789	DIVISIONID	
○	A	DIVISIONNAME	
○	A	DIVISIONNUMBER	
○	789	ENTERPRISE_ID	

DES_STYLENOTES (RetailServer11.1)			
# *	789	STYLENOTE_ID	
○	789	STYLE_ID	
○	789	USER_ID	
○	789	NOTE_DATE	
○	789	ENTERPRISE_ID	
○	789	NOTE_OBJECT	

WORKSHEETLABELS (RetailServer11.1)			
# *	789	WORKSHEETLABELID	
○	789	WORKSHEETID	
○	789	LABELID	
○	A	BUYERCOMMENT	
○	789	DATEADDED	
○	A	FIELDSETTINGS	
○	789	ENTERPRISE_ID	

KEYDATA (RetailServer11.1)			
# *	789	KEYDATAID	
○	A	ITEMNAME	
○	A	CLASS	
○	789	PARENTID	
○	789	DEPARTMENTID	
○	789	SEASONID	
○	A	EXTRADATA	
○	789	ENTERPRISE_ID	

ENT_LOCATIONS (RetailServer11.1)			
# *	789	LOCATION_ID	
○	A	LOCATION_NAME	
○	789	LOCATION_TYPE	
○	789	PRIMARY_FLAG	
○	789	COUNTRY_ID	
○	A	ADDRESS_INFO	
○	789	ENTERPRISE_ID	
○	789	LEAD_TIME	
○	A	LOCATION_CODE	

NEWJOURNAL (RetailServer11.1)			
# *	789	JOURNALID	
○	789	BOXNUMBER	
○	789	MSGTYPE	
○	789	SENDTIME	
○	789	READTIME	
○	A	CONTEXT	
○	789	SENDERID	
○	A	SENDERNAME	
○	789	DESTINATIONID	
○	A	DESTINATIONNAME	
○	A	ABOUT	
○	789	MAINTTEXT	
○	789	REMINDERTIME	
○	789	SEASONID	
○	789	APPLICATION_ID	

PICTURES (RetailServer11.1)			
# *	789	PICTUREID	
○	A	CONTEXT	
○	A	SUBCONTEXT	
○	789	IMAGEID	
○	A	CAPTION	
○	A	NOTES	
○	A	POINTS	
○	789	SEASONID	
○	789	UPDATEBITS	
○	789	ENTERPRISE_ID	

WT_ADMINS (RetailServer11.1)			
# *	789		ADMIN_ID
<input type="radio"/>	A		USERNAME
<input type="radio"/>	A		PASSWORD
<input type="radio"/>	789		ADMIN_LEVEL
<input type="radio"/>	A		FIRSTNAME
<input type="radio"/>	A		LASTNAME
<input type="radio"/>	A		CONTACT_INFO
<input type="radio"/>	A		EMAIL_ADDRESS

ENT_LOCKS (RetailServer11.1)			
# *	789		LOCK_ID
<input type="radio"/>	A		LOCKOBJECT
<input type="radio"/>	A		UNIQUEKEY
<input type="radio"/>	A		USERNAME
<input type="radio"/>	789		GRABTIME
<input type="radio"/>	789		TIMEOUT
<input type="radio"/>	789		REQUESTED
<input type="radio"/>	789		EXPIRY
<input type="radio"/>	789		TERMINAL

ENT_PARAMETERS (RetailServer11.1)			
# *	789		PARAMETER_ID
<input type="radio"/>	A		PARAMETER_NAME
<input type="radio"/>	A		PARAMETER_CODE
<input type="radio"/>	789		IS_GLOBAL
<input type="radio"/>	789		PARAMETER_TYPE
<input type="radio"/>	789		PARAMETER_OPTIONS
<input type="radio"/>	789		DEFAULT_NUM
<input type="radio"/>	A		DEFAULT_STR
<input type="radio"/>	789		NUM_KEYS
<input type="radio"/>	789		KEY_TYPE_1
<input type="radio"/>	789		KEY_TYPE_2
<input type="radio"/>	789		KEY_TYPE_3
<input type="radio"/>	789		KEY_TYPE_4
<input type="radio"/>	789		KEY_TYPE_5
<input type="radio"/>	A		KEY_LABEL_1
<input type="radio"/>	A		KEY_LABEL_2
<input type="radio"/>	A		KEY_LABEL_3
<input type="radio"/>	A		KEY_LABEL_4
<input type="radio"/>	A		KEY_LABEL_5
<input type="radio"/>	A		KEY_DETAIL_1
<input type="radio"/>	A		KEY_DETAIL_2
<input type="radio"/>	A		KEY_DETAIL_3
<input type="radio"/>	A		KEY_DETAIL_4

ENT_PATHS (RetailServer11.1)			
# *	789		PATH_ID
<input type="radio"/>	A		PATH_NAME
<input type="radio"/>	789		PATH_OWNER_ID
<input type="radio"/>	789		DEPARTMENT_ID
<input type="radio"/>	789		END_DATE
<input type="radio"/>	789		PATH_STATE
<input type="radio"/>	789		CREATION_DATE
<input type="radio"/>	789		MODIFICATION_DATE
<input type="radio"/>	789		PATH_ALERT
<input type="radio"/>	789		ORDERITEM_ID
<input type="radio"/>	789		COLOUR_ID
<input type="radio"/>	789		PATH_QUANTITY
<input type="radio"/>	789		PATH_VALUE
<input type="radio"/>	789		SEASON_ID
<input type="radio"/>	789		FIRST_OPEN_ID
<input type="radio"/>	A		FIRST_OPEN_NAME
<input type="radio"/>	789		FIRST_OPEN_EVENT_ID
<input type="radio"/>	789		FIRST_OPEN_DATE
<input type="radio"/>	789		FIRST_OPEN_ENTERPRIS
<input type="radio"/>	789		FIRST_OPEN_CONTACT
<input type="radio"/>	789		ENTERPRISE_ID
<input type="radio"/>	789		PARENT_PATH_ID
<input type="radio"/>	789		SUSPEND_DATE
<input type="radio"/>	789		TOPLEVEL_ENT_ID

PALETTEITEMS (RetailServer11.1)			
<input type="radio"/>	789		PALETTE_ID
<input type="radio"/>	789		COLOUR_ID
<input type="radio"/>	789		COLOUR_ORDER
<input type="radio"/>	789		ENTERPRISE_ID

DES_STYLELOG (RetailServer11.1)			
# *	789		STYLELOG_ID
<input type="radio"/>	789		STYLE_ID
<input type="radio"/>	789		USER_ID
<input type="radio"/>	789		LOG_DATE
<input type="radio"/>	A		LOG_COMMENT
<input type="radio"/>	789		LOG_OBJECT
<input type="radio"/>	789		ENTERPRISE_ID

ENT_ATTRS (RetailServer11.1)			
# *	789		PARENT_KEY
# *	789		PARENT_ITEM_ID
# *	A		ATTRIBUTE_CLASS
# *	789		ORDERING
<input type="radio"/>	A		DISPLAY_NAME
<input type="radio"/>	789		ATTRIBUTE_KEY
<input type="radio"/>	A		TEXT_VALUE
<input type="radio"/>	789		NUMERIC_VALUE
<input type="radio"/>	A		FORMAT
<input type="radio"/>	789		ENTERPRISE_ID

BCI_ENTERPRISE_RUN_TYPE_VALUES (RetailServer11.1)			
# *	789		RUN_TYPE_ID
*	789		ENTERPRISE_ID
*	789		PARAMETER_ID
*	A		RUN_TYPE_NAME
<input type="radio"/>	A		PARAMETER_VALUE
<input type="radio"/>	A		PARAMETER_DESC

ENT_TRANSUSERS (RetailServer11			
# *	789		USER_ID
# *	A		TRANSPORTER_KEY
○	A		REMOTE_USERNAME
○	A		REMOTE_PASSWORD
○	789		ENTERPRISE_ID
○	A		CUSTOM1
○	A		CUSTOM2
○	A		CUSTOM3
○	A		CUSTOM4
○	A		CUSTOM5
○	A		CUSTOM6
○	A		CUSTOM7
○	A		CUSTOM8

EVENTS (RetailServer11.1)			
○	789		PATHID
# *	789		EVENTID
○	789		SUPPLIERID
○	789		EVENTDURATION
○	789		PLANDATE
○	789		COMMITDATE
○	789		ACTUALDATE
○	A		SUPPLIERCOMMENT
○	A		BUYERCOMMENT
○	789		DONE
○	A		DESCRIPTION
○	789		TYPE
○	789		DAYSBEFOREAMBER
○	789		DAYSBEFORERED
○	789		DAYSBEFORESALE
○	789		SERIAL
○	789		AMBERALERTED
○	789		REDALERTED

IMAGES (RetailServer11.1)			
# *	789		IMAGEID
○	A		IMAGENAME
○	A		IMAGEDescription
○	789		IMAGEWIDTH
○	789		IMAGEHEIGHT
○	A		IMAGEFILE
○	789		MODIFICATIONTIME
○	789		DEPARTMENTID
○	789		SEASONID
○	789		IMAGETYPE
○	789		IMAGESUBTYPE
○	789		ENTERPRISE_ID
○	789		STORAGE_INFO

ORDERITEMS (RetailServer11.1)			
# *	789		ORDERITEMID
○	789		PARENTORDERID
○	789		PRODUCTID
○	789		COLOURID
○	789		QUANTITY
○	789		ACCOUNTID
○	789		FACTORYID
○	789		COUNTRYID
○	A		PATHMADE
○	789		ENTERPRISE_ID

ENT_PATHNOTES (RetailServer11.1)			
# *	789		PATH_NOTE_ID
○	789		PATH_ID
○	789		EVENT_ID
○	789		EVENT_NAME_ID
○	789		USER_ID
○	789		NOTE_DATE
○	A		NOTE_TEXT
○	789		NOTE_ACTION
○	789		EVENT_DATE
○	A		NOTE_EMAILS

ENT_PICTUREDATA (RetailServer11.1)			
○	789		ANNOTATION_NUMBER
○	789		PICTURE_ID
○	A		CONTEXT
○	A		SUBCONTEXT
○	A		ANNOTATION_TEXT
○	A		ANNOTATION_FONT
○	789		IMAGE_ID
○	789		TEXT_COLOUR
○	789		BACKGROUND_COLOUR
○	789		POSITION_X
○	789		POSITION_Y
○	789		WIDTH
○	789		HEIGHT
○	789		SCALE_FACTOR
○	789		POINTER_X
○	789		POINTER_Y
○	789		POINTER_COLOUR
○	A		EXTRA_DATA
○	789		ENTERPRISE_ID

FOLDERINFO (RetailServer11.1)			
# *	789		FOLDERINFOID
○	A		DATATYPE
○	A		FILTER
○	789		PARENTID
○	A		FOLDERNAME
○	789		ENTERPRISE_ID
○	789		OWNERID

RANGES (RetailServer11.1)			
#	*	?	
<input type="radio"/>	*	789	RANGEID
<input type="radio"/>	A		RANGENAME
<input type="radio"/>	A		RANGEDESCRIPTION
<input type="radio"/>	A		WORKSHEETLIST
<input type="radio"/>	789		DEPARTMENTID
<input type="radio"/>	789		SEASONID
<input type="radio"/>	A		IMAGELAYOUT
<input type="radio"/>	A		EXTRAIMAGELIST
<input type="radio"/>	789		BACKIMAGE_ID
<input type="radio"/>	789		BACKIMAGE_OPTION
<input type="radio"/>	789		GRID_OPTION
<input type="radio"/>	789		CREATOR_ID
<input type="radio"/>	789		CREATOR_ENTERPRISE
<input type="radio"/>	789		CREATION_DATE
<input type="radio"/>	789		ENTERPRISE_ID
<input type="radio"/>	789		PARENTID
<input type="radio"/>	789		GRID_COLOUR
<input type="radio"/>	789		BACKGROUND_COLOUR
<input type="radio"/>	A		STATUS_CODE

PORTFOLIOLABELS (RetailServer11.1)			
#	*	?	
<input type="radio"/>	*	789	LABELID
<input type="radio"/>	789		STATE
<input type="radio"/>	A		LABELCODE
<input type="radio"/>	A		DESCRIPTION
<input type="radio"/>	789		TYPEID
<input type="radio"/>	789		SUBTYPEID
<input type="radio"/>	A		CURRENTPRICE
<input type="radio"/>	789		LASTUSED
<input type="radio"/>	A		FIELDLIST
<input type="radio"/>	A		SCOPE
<input type="radio"/>	789		FIELDGENERATION
<input type="radio"/>	789		IMAGEID
<input type="radio"/>	789		ENTERPRISE_ID

ENT_RESOURCES (RetailServer11.1)			
#	*	?	
<input type="radio"/>	*	A	RES_KEY
<input type="radio"/>	*	A	RES_PACKAGE
<input type="radio"/>	*	A	RES_LANG
<input type="radio"/>	A		RES_VALUE
<input type="radio"/>	*	789	ENTERPRISE_ID

EVENTNAMES (RetailServer11.1)			
#	*	?	
<input type="radio"/>	*	789	EVENTNAMEID
<input type="radio"/>	A		EVENTNAME
<input type="radio"/>	A		EVENTDESCRIPTION
<input type="radio"/>	789		EVENTTYPE
<input type="radio"/>	789		ENTERPRISE_ID
<input type="radio"/>	789		TEMPLATE_ID

REASONS (RetailServer11.1)			
#	*	?	
<input type="radio"/>	*	789	REASONID
<input type="radio"/>	A		REASONNAME
<input type="radio"/>	789		ENTERPRISE_ID

ATTRIBUTES (RetailServer11.1)			
#	*	?	
<input type="radio"/>	*	789	ATTRIBUTEID
<input type="radio"/>	A		ATTRIBUTENAME
<input type="radio"/>	A		ATTRIBUTEDESCRIPTION
<input type="radio"/>	789		ENTERPRISE_ID

ITEMSUPPLIERS (RetailServer11.1)			
#	*	?	
<input type="radio"/>	*	789	ITEMSUPPLIERID
<input type="radio"/>	789		PRODUCTID
<input type="radio"/>	789		SUPPLIERID
<input type="radio"/>	789		ACCOUNTID
<input type="radio"/>	789		COUNTRYID
<input type="radio"/>	789		FACTORYID
<input type="radio"/>	789		ENTERPRISE_ID

PALETTES (RetailServer11.1)			
#	*	?	
<input type="radio"/>	*	789	PALETTEID
<input type="radio"/>	A		PALETTENAME
<input type="radio"/>	789		PHASEID
<input type="radio"/>	A		CATEGORY
<input type="radio"/>	A		COLOURLIST
<input type="radio"/>	789		SEASONID
<input type="radio"/>	A		SCOPE
<input type="radio"/>	789		LOCAL
<input type="radio"/>	789		ENTERPRISE_ID
<input type="radio"/>	A		PALETTECODE

BCI_GUI_FOLDER_TREE (Re			
# *	789	FOLDER_TREE_ID	
*	789	CHILD_FOLDER_ID	
○	789	PARENT_FOLDER_ID	
*	789	CHILD_LEVEL_ID	

BCI_GUI_FOLDER_TYPES (R			
# *	789	FOLDER_TYPE_ID	
○	A	NAME	
○	A	DESCRIPTION	

BCI_STEP_CONTEXT_VALUE			
# *	789	STEP_CONTEXT_VALUE	
# *	A	CONTEXT_NAME	
○	A	CONTEXT_VALUE	
○	A	DESCRIPTION	

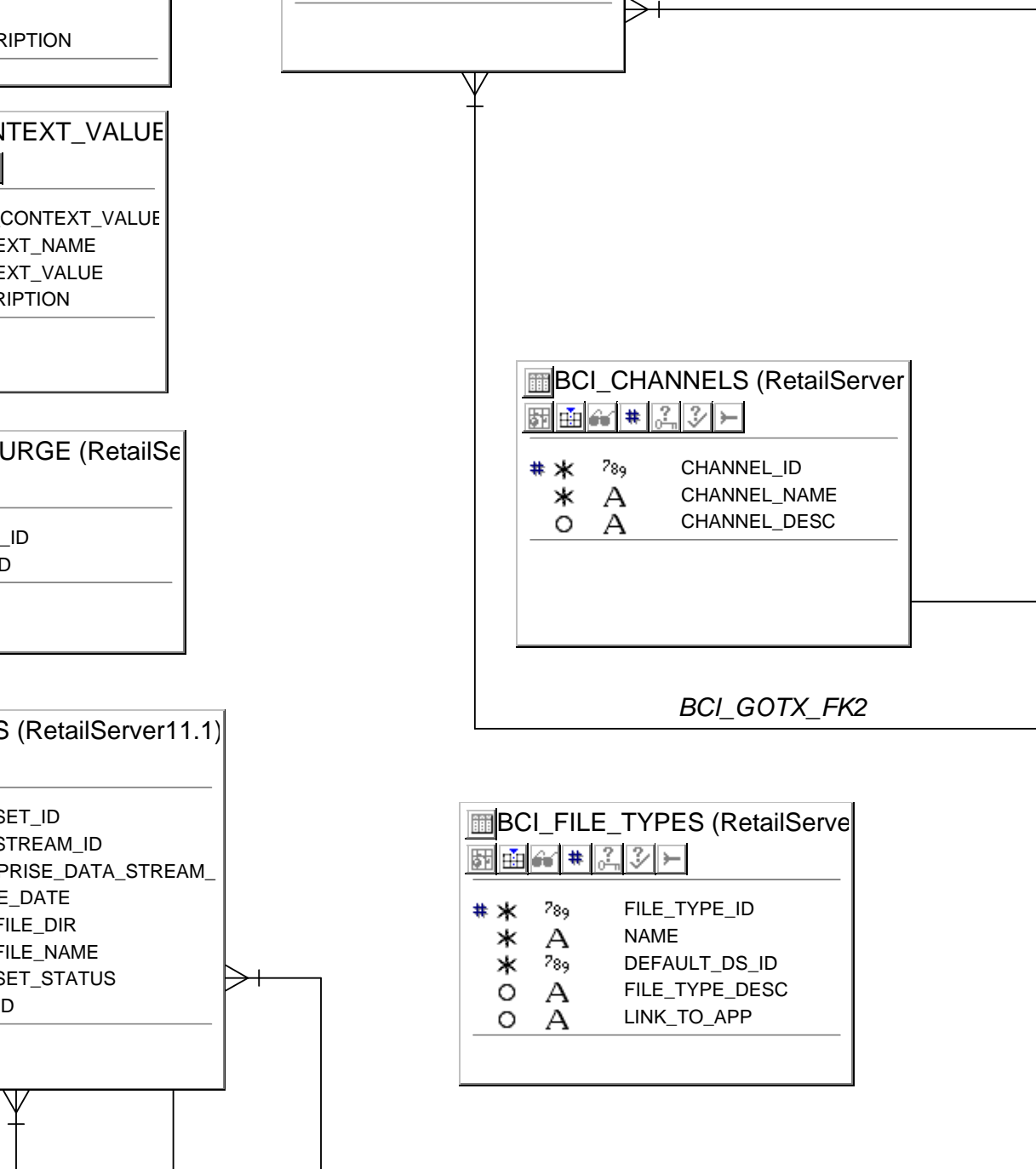
BCI_MANUAL_PURGE (RetailSe			
*	789	PURGE_ID	
*	A	TYPE_ID	

BCI_DATA_SETS (RetailServer11.1)			
# *	789	DATA_SET_ID	
*	789	DATA_STREAM_ID	
*	789	ENTERPRISE_DATA_STREAM	
*		CREATE_DATE	
○	A	DATA_FILE_DIR	
○	A	DATA_FILE_NAME	
○	A	DATA_SET_STATUS	
○	789	USER_ID	

BCI_GUI_OBJECT_TEMP			
*	789	HEADER_ID	
*	789	TEMPLATE_ID	

BCI_CHANNELS (RetailServer			
# *	789	CHANNEL_ID	
*	A	CHANNEL_NAME	
○	A	CHANNEL_DESC	

BCI_FILE_TYPES (RetailServe			
# *	789	FILE_TYPE_ID	
*	A	NAME	
*	789	DEFAULT_DS_ID	
○	A	FILE_TYPE_DESC	
○	A	LINK_TO_APP	



BCI_GOTX_FK2

BCI_GOTX_FK1

BCI_GUI_OBJECTS (Retail)			
# *	789	OBJECT_ID	
○	A	OBJECT_NAME	
○	A	OBJECT_HTML	

BCI_GUI_FOLDERS (Retail)			
# *	789	FOLDER_ID	
*	789	LEVEL_ID	
○	A	NAME	
*	789	FOLDER_TYPE_ID	
○	A	FILE_TYPE	
○	A	URL	
○	A	URL_PARAMETERS	
○	789	TEMPLATE_ID	
○	A	DESCRIPTION	

BCI_GUI_HTML_TEMPLA			
# *	789	TEMPLATE_ID	
○	A	HTML_PAGE	
○	A	DESCRIPTION	

BCI_GF_FK1

BCI_GOH_FK1

BCI_CP_FK1

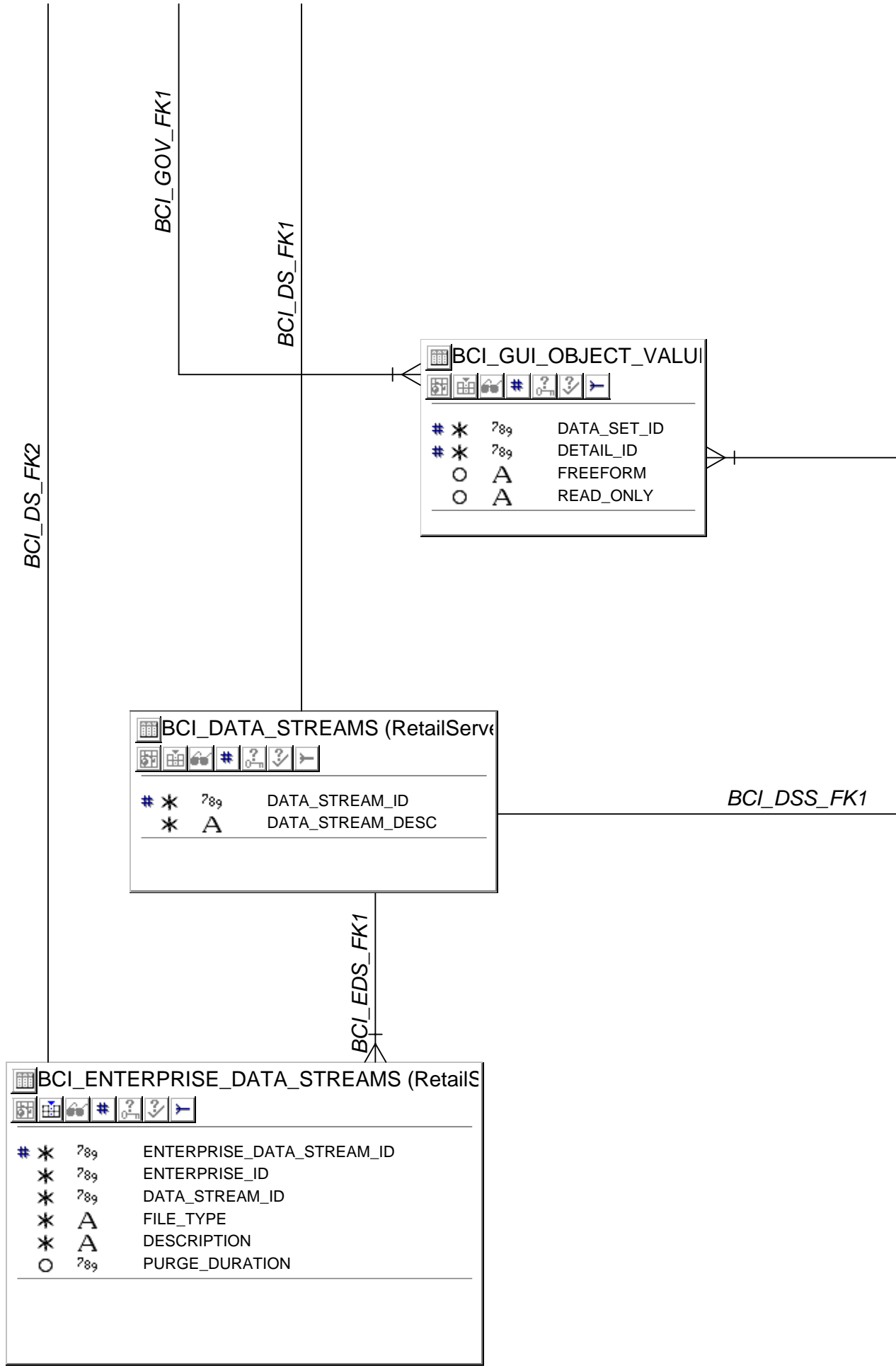
BCI_GUI_OBJECT_HEAD			
# *	789	HEADER_ID	
○	789	OBJECT_ID	
○	A	HTML_CODE	
○	A	HTML_LABEL	

BCI_GFEX_FK1

BCI_GUI_FOLDER_ENTERPRISE_XRI			
# *	789	FOLDER_ID	
# *	789	ENTERPRISE_ID	

FK1

BCI_CHANNEL_PARAMS (Retail)			
# *	789	PARAMETER_ID	
*	789	CHANNEL_ID	
*	A	PARAMETER_NAME	
○	A	PARAMETER_DESC	



BCI_GOD_

BCI_GUI_OBJECT_DETA			
# *	789	DETAIL_ID	
○	789	HEADER_ID	
○	A	LABEL	
○	A	VALUE	
○	789	SEQ	
○	A	IS_DEFAULT	
○	A	DESCRIPTION	

BCI_STEP_STATUSES (RetailServer11			
# *	789	DATA_SET_ID	
# *	789	DATA_STREAM_STEP_ID	
○		START_DATE	
○		END_DATE	
○	A	ERROR_FILE_NAME	
○	A	ERROR_MESSAGE	
○	A	STEP_STATUS	

BCI_GOV_FK2

BCI_SS_FK1

BCI_DATA_STREAM_STEPS (RetailSe			
# *	789	DATA_STREAM_STEP_ID	
*	789	DATA_STREAM_ID	
*	789	STEP_NBR	
*	A	STEP_DESC	
*	A	JAVA_CLASS_NAME	
*	A	METHOD_NAME	
○	789	STEP_CONTEXT_VALUES_ID	

BCI_ENTERPRISE_RUN_TYPE_V			
# *	789	RUN_TYPE_ID	
*	789	ENTERPRISE_ID	
*	789	PARAMETER_ID	
*	A	RUN_TYPE_NAME	
○	A	PARAMETER_VALUE	
○	A	PARAMETER_DESC	

ENT_SEASONS (RetailServer11.1)



# *	789	SEASON_ID
○	A	SEASON_NAME
○	A	SEASON_CODE
○	789	SEASON_START
○	789	SEASON_END
○	789	ENTERPRISE_ID

ENT_ITEMS (RetailServer11.1)



# *	789	ITEM_ID
○	A	ITEM_NAME
○	789	ITEM_TYPE
○	789	DEPARTMENT_ID
○	A	STYLE_NUMBER
○	A	VENDOR_NUMBER
○	A	CLASS_NAME
○	A	SUBCLASS_NAME
○	A	COLOUR_LIST
○	789	UNIT_VALUE
○	A	ATTRIBUTE_LIST
○	A	ITEM_COMMENTS
○	789	ENTERPRISE_ID
○	A	ITEM_EXTRAS

ENT_PARTNERDEPTS (RetailServer11.1)



# *	789	ENTPARTNER_ID
# *	789	DEPARTMENT_ID
○	789	ENTERPRISE_ID

ENT_PATHNOTES (RetailServer11.1)



# *	789	PATH_NOTE_ID
○	789	PATH_ID
○	789	EVENT_ID
○	789	EVENT_NAME_ID
○	789	USER_ID
○	789	NOTE_DATE
○	A	NOTE_TEXT
○	789	NOTE_ACTION
○	789	EVENT_DATE
○	A	NOTE_EMAILS

ENT_SRVUSERTYPES (RetailServer11.1)



# *	789	USERTYPE_ID
○	789	SERVICE_ID
# *	789	USER_ID
# *	789	ENTERPRISE_ID
# *	789	GRANTING_ENTERPRISE_ID
○	789	DENIED

ENT_PARTNERS (RetailServer11.1)



# *	789	ENTPARTNER_ID
○	789	PARTNER_ID
○	789	CONTACT_ID
○	789	STATUS
○	789	CREATION_DATE
○	A	ACCOUNT_NUMBER
○	789	ENTERPRISE_ID
○	A	PARTNER_CODE
○	789	PARTNER_ACCOUNTID
○	A	PARTNER_INFO

ENT_PICTUREDATA (RetailServer11.1)		
<input type="radio"/>	789	ANNOTATION_NUMBER
<input type="radio"/>	789	PICTURE_ID
<input type="radio"/>	A	CONTEXT
<input type="radio"/>	A	SUBCONTEXT
<input type="radio"/>	A	ANNOTATION_TEXT
<input type="radio"/>	A	ANNOTATION_FONT
<input type="radio"/>	789	IMAGE_ID
<input type="radio"/>	789	TEXT_COLOUR
<input type="radio"/>	789	BACKGROUND_COLOUR
<input type="radio"/>	789	POSITION_X
<input type="radio"/>	789	POSITION_Y
<input type="radio"/>	789	WIDTH
<input type="radio"/>	789	HEIGHT
<input type="radio"/>	789	SCALE_FACTOR
<input type="radio"/>	789	POINTER_X
<input type="radio"/>	789	POINTER_Y
<input type="radio"/>	789	POINTER_COLOUR
<input type="radio"/>	A	EXTRA_DATA
<input type="radio"/>	789	ENTERPRISE_ID

ENT_ALTUSERS (RetailServer11.1)			
<input checked="" type="radio"/>	*	789	USER_ID
<input checked="" type="radio"/>	*	A	APPCODE
<input checked="" type="radio"/>	*	789	ALTUSER_ID
<input type="radio"/>		789	ENTERPRISE_ID

ENT_WORKFLOWHISTORY (RetailServer11.1)			
<input checked="" type="radio"/>	*	789	HISTORY_ID
<input type="radio"/>		789	STATE_ID
<input type="radio"/>	A	789	STATE_NAME
<input type="radio"/>		789	APPLICATION
<input type="radio"/>		789	APPLICATION_KEY
<input type="radio"/>		789	APPLICATION_FILTER
<input type="radio"/>		789	USER_ID
<input type="radio"/>		789	ENTRY_DATE
<input type="radio"/>	A	789	ENTRY_TEXT
<input type="radio"/>		789	ENTERPRISE_ID

ENT_OBJECTSTORE (RetailServer11.1)			
<input checked="" type="radio"/>	*	789	OBJECT_ID
<input type="radio"/>	A	789	OBJECT_TYPE
<input type="radio"/>	A	789	OBJECT_SUBTYPE
<input type="radio"/>	A	789	OBJECT_NAME
<input type="radio"/>		789	OBJECT_DATE
<input type="radio"/>		789	OBJECT_DATA
<input type="radio"/>		789	USER_ID
<input type="radio"/>		789	OWNER_ID
<input type="radio"/>		789	ENTERPRISE_ID

ENT_WORKFLOWSTATES (RetailServer11.1)			
<input checked="" type="radio"/>	*	789	STATE_ID
<input type="radio"/>	A	789	STATE_NAME
<input type="radio"/>		789	STATE_ROLE
<input type="radio"/>	A	789	STATE_DESCRIPTION
<input type="radio"/>		789	APPLICATION
<input type="radio"/>		789	STATE_ORDER
<input type="radio"/>		789	ENTERPRISE_ID
<input type="radio"/>		789	STATE_DATA

ENT_LOCKS (RetailServer11.1)			
<input checked="" type="radio"/>	*	789	LOCK_ID
<input type="radio"/>	A	789	LOCKOBJECT
<input type="radio"/>	A	789	UNIQUEKEY
<input type="radio"/>	A	789	USERNAME
<input type="radio"/>		789	GRABTIME
<input type="radio"/>		789	TIMEOUT
<input type="radio"/>		789	REQUESTED
<input type="radio"/>		789	EXPIRY
<input type="radio"/>		789	TERMINAL

ENT_PARAMETERS (RetailServer11.1)



# *	789	PARAMETER_ID
<input type="radio"/>	A	PARAMETER_NAME
<input type="radio"/>	A	PARAMETER_CODE
<input type="radio"/>	789	IS_GLOBAL
<input type="radio"/>	789	PARAMETER_TYPE
<input type="radio"/>	789	PARAMETER_OPTIONS
<input type="radio"/>	789	DEFAULT_NUM
<input type="radio"/>	A	DEFAULT_STR
<input type="radio"/>	789	NUM_KEYS
<input type="radio"/>	789	KEY_TYPE_1
<input type="radio"/>	789	KEY_TYPE_2
<input type="radio"/>	789	KEY_TYPE_3
<input type="radio"/>	789	KEY_TYPE_4
<input type="radio"/>	789	KEY_TYPE_5
<input type="radio"/>	A	KEY_LABEL_1
<input type="radio"/>	A	KEY_LABEL_2
<input type="radio"/>	A	KEY_LABEL_3
<input type="radio"/>	A	KEY_LABEL_4
<input type="radio"/>	A	KEY_LABEL_5
<input type="radio"/>	A	KEY_DETAIL_1
<input type="radio"/>	A	KEY_DETAIL_2
<input type="radio"/>	A	KEY_DETAIL_3
<input type="radio"/>	A	KEY_DETAIL_4
<input type="radio"/>	A	KEY_DETAIL_5
<input type="radio"/>	789	ENTERPRISE_ID

ENT_ATTRS (RetailServer11.1)



# *	789	PARENT_KEY
# *	789	PARENT_ITEM_KEY
# *	A	ATTRIBUTE_CLASS
# *	789	ORDERING
<input type="radio"/>	A	DISPLAY_NAME
<input type="radio"/>	789	ATTRIBUTE_KEY
<input type="radio"/>	A	TEXT_VALUE
<input type="radio"/>	789	NUMERIC_VALUE
<input type="radio"/>	A	FORMAT
<input type="radio"/>	789	ENTERPRISE_ID

ENT_AUDIT (RetailServer11.1)



# *	789	AUDIT_ID
<input type="radio"/>	789	AUDIT_EVENT
<input type="radio"/>	789	AUDIT_WHEN
<input type="radio"/>	📅	AUDIT_TIMESTAMP
<input type="radio"/>	A	AUDIT_DETAIL
<input type="radio"/>	789	AUDIT_TARGET
<input type="radio"/>	A	AUDIT_TARGET_DETAIL
<input type="radio"/>	789	USER_ID
<input type="radio"/>	A	USER_NAME
<input type="radio"/>	A	USER_ADDRESS
<input type="radio"/>	789	CLEARED
<input type="radio"/>	789	ENTERPRISE_ID

ENT_PHASES (RetailServer11.1)



# *	789	PHASE_ID
<input type="radio"/>	A	PHASE_NAME
<input type="radio"/>	A	PHASE_CODE
<input type="radio"/>	789	SEASON_ID
<input type="radio"/>	789	PHASE_START
<input type="radio"/>	789	PHASE_END
<input type="radio"/>	789	ENTERPRISE_ID

ENT_MCLDATA (RetailServer11.1)



<input type="radio"/>	789	APPLICATION_NUMBER
<input type="radio"/>	A	LIST_CODE
<input type="radio"/>	A	VIEW_CODE
<input type="radio"/>	789	USER_ID
<input type="radio"/>	789	CODE
<input type="radio"/>	789	POSITION
<input type="radio"/>	789	WIDTH
<input type="radio"/>	A	OPTIONS
<input type="radio"/>	789	ENTERPRISE_ID

ENT_PARAMVALUES (RetailServer11.1)



# *	789	PARAMVALUE_ID
○	789	PARAMETER_ID
○	789	VALUE_NUM
○	A	VALUE_STR
○	789	START_DATE
○	789	END_DATE
○	789	ACTIVE_FLAG
○	A	KEY_1
○	A	KEY_2
○	A	KEY_3
○	A	KEY_4
○	A	KEY_5
○	789	ENTERPRISE_ID
○	A	EXTERNAL_VALUE

ENT_EVENTS (RetailServer11.1)



# *	789	PATH_ID
# *	789	EVENT_ID
○	A	EVENT_NAME
○	789	EVENT_NAME_ID
○	789	PATH_OWNER_ID
○	789	EVENT_ENTERPRISE_ID
○	789	EVENT_CONTACT_ID
○	789	PLAN_DATE
○	789	REVISED_DATE
○	789	ACTUAL_DATE
○	789	DONE
○	789	SERIAL
○	789	AMBERDAYS
○	789	REDDAYS
○	789	REMINDERDAYS
○	789	AMBER_ALERTED
○	789	RED_ALERTED
○	789	REMINDER_SENT
○	789	ENTERPRISE_ID
*	789	ENT_EVENT_ID
○	A	EVENT_DEPENDENCIES
○	789	NST_PATH_ID
○	789	INITIAL_DATE
○	789	EVENT_FLAGS

ENT_USERS (RetailServer11.1)



# *	789	USER_ID
○	A	USERNAME
○	A	REAL_USERNAME
○	A	PASSWORD
○	A	FIRSTNAME
○	A	LASTNAME
○	A	REAL_EMAIL
○	789	TYPE_ID
○	789	ACCT_MANAGER
○	789	LOCATION_ID
○	A	ADDRESS_INFO
○	789	COUNTRY_ID
○	789	ADMIN_TYPE
○	789	USER_FLAGS
○	A	DEPARTMENT_LIST
○	A	SERVICE_LIST
○	A	USER_PREFERENCES
○	A	USER_COMMENTS
○	789	ENTERPRISE_ID
○	789	PASSWORD_TIME
○	789	ACCOUNT_STATUS
○	789	LOCKOUT_UNTIL
○	A	PREFERRED_LANGUAGE
○	789	LOCAL_TYPE_ID

ENT_LOCATIONS (RetailServer11.1)



# *	789	LOCATION_ID
○	A	LOCATION_NAME
○	789	LOCATION_TYPE
○	789	PRIMARY_FLAG
○	789	COUNTRY_ID
○	A	ADDRESS_INFO
○	789	ENTERPRISE_ID
○	789	LEAD_TIME
○	A	LOCATION_CODE

ENT_MCLHEADINGS (RetailServer11.1)			
<input type="radio"/>	789		APPLICATION_NUMBER
<input type="radio"/>	A		LIST_CODE
<input type="radio"/>	A		VIEW_CODE
<input type="radio"/>	789		USER_ID
<input type="radio"/>	789		CODE
<input type="radio"/>	A		HEADING
<input type="radio"/>	A		LANGUAGE_CODE
<input type="radio"/>	789		ENTERPRISE_ID

ENT_RESOURCES (RetailSe			
<input type="radio"/>	789		RES_KEY
<input type="radio"/>	A		RES_PACKAGE
<input type="radio"/>	A		RES_LANG
<input type="radio"/>	A		RES_VALUE
<input type="radio"/>	789		ENTERPRISE_ID

ENT_TRANSUSERS (RetailServer11.1)			
<input checked="" type="radio"/>	789		USER_ID
<input checked="" type="radio"/>	A		TRANSPORTER_KEY
<input type="radio"/>	A		REMOTE_USERNAME
<input type="radio"/>	A		REMOTE_PASSWORD
<input type="radio"/>	789		ENTERPRISE_ID
<input type="radio"/>	A		CUSTOM1
<input type="radio"/>	A		CUSTOM2
<input type="radio"/>	A		CUSTOM3
<input type="radio"/>	A		CUSTOM4
<input type="radio"/>	A		CUSTOM5
<input type="radio"/>	A		CUSTOM6
<input type="radio"/>	A		CUSTOM7
<input type="radio"/>	A		CUSTOM8

ENT_STAMPS (RetailSe			
<input checked="" type="radio"/>	A		STAMP_KEY
<input type="radio"/>	789		STAMP

ENT_PATHS (RetailServer11.1)			
<input checked="" type="radio"/>	789		PATH_ID
<input type="radio"/>	A		PATH_NAME
<input type="radio"/>	789		PATH_OWNER_ID
<input type="radio"/>	789		DEPARTMENT_ID
<input type="radio"/>	789		END_DATE
<input type="radio"/>	789		PATH_STATE
<input type="radio"/>	789		CREATION_DATE
<input type="radio"/>	789		MODIFICATION_DATE
<input type="radio"/>	789		PATH_ALERT
<input type="radio"/>	789		ORDERITEM_ID
<input type="radio"/>	789		COLOUR_ID
<input type="radio"/>	789		PATH_QUANTITY
<input type="radio"/>	789		PATH_VALUE
<input type="radio"/>	789		SEASON_ID
<input type="radio"/>	789		FIRST_OPEN_ID
<input type="radio"/>	A		FIRST_OPEN_NAME
<input type="radio"/>	789		FIRST_OPEN_EVENT_ID
<input type="radio"/>	789		FIRST_OPEN_DATE
<input type="radio"/>	789		FIRST_OPEN_ENTERPRISE
<input type="radio"/>	789		FIRST_OPEN_CONTACT
<input type="radio"/>	789		ENTERPRISE_ID
<input type="radio"/>	789		PARENT_PATH_ID
<input type="radio"/>	789		SUSPEND_DATE
<input type="radio"/>	789		TOPLEVEL_ENT_ID

NEWJOURNAL (RetailServer11)			
# *	789		JOURNALID
<input type="radio"/>	789		BOXNUMBER
<input type="radio"/>	789		MSGTYPE
<input type="radio"/>	789		SENDDTIME
<input type="radio"/>	789		READTIME
<input type="radio"/>	A		CONTEXT
<input type="radio"/>	789		SENDERID
<input type="radio"/>	A		SENDERNAME
<input type="radio"/>	789		DESTINATIONID
<input type="radio"/>	A		DESTINATIONNAME
<input type="radio"/>	A		ABOUT
<input type="radio"/>			MAINTTEXT
<input type="radio"/>	789		REMINDERTIME
<input type="radio"/>	789		SEASONID
<input type="radio"/>	789		APPLICATION_ID

SIZECHARTS (RetailServer11)			
# *	789		SIZECHARTID
<input type="radio"/>	A		CHARTNAME
<input type="radio"/>	789		SIZECOLUMNS
<input type="radio"/>	789		DEPARTMENTID
<input type="radio"/>	A		SIZECHART
<input type="radio"/>	A		SIZECHARTCODE
<input type="radio"/>	789		ENTERPRISE_ID
<input type="radio"/>	A		SCOPE

ITEMSUPPLIERS (RetailServer11)			
# *	789		ITEMSUPPLIERID
<input type="radio"/>	789		PRODUCTID
<input type="radio"/>	789		SUPPLIERID
<input type="radio"/>	789		ACCOUNTID
<input type="radio"/>	789		COUNTRYID
<input type="radio"/>	789		FACTORYID
<input type="radio"/>	789		ENTERPRISE_ID

MATRIXROWS (RetailServer11)			
<input type="radio"/>	789		MATRIXROWID
<input type="radio"/>	789		MATRIXID
<input type="radio"/>	789		WORKSHEETID
<input type="radio"/>	789		INDEXNUMBER
<input type="radio"/>	789		ROWORDER
<input type="radio"/>	A		COLUMN1
<input type="radio"/>	A		COLUMN2
<input type="radio"/>	A		COLUMN3
<input type="radio"/>	A		COLUMN4
<input type="radio"/>	A		COLUMN5
<input type="radio"/>	A		COLUMN6
<input type="radio"/>	A		COLUMN7
<input type="radio"/>	A		COLUMN8
<input type="radio"/>	A		COLUMN9
<input type="radio"/>	A		COLUMN10
<input type="radio"/>	A		COLUMN11
<input type="radio"/>	A		COLUMN12
<input type="radio"/>	A		COLUMN13
<input type="radio"/>	A		COLUMN14
<input type="radio"/>	A		COLUMN15
<input type="radio"/>	A		COLUMN16
<input type="radio"/>	789		ENTERPRISE_ID
<input type="radio"/>	A		APPCODE
<input type="radio"/>	A		APPKEY

CRITICALPATHS (RetailServer11.1)



<input checked="" type="radio"/>	*	789	PATHID
<input type="radio"/>	A		PATHDESCRIPTION
<input type="radio"/>		789	BUYERID
<input type="radio"/>		789	PUBLISHERID
<input type="radio"/>		789	DEPARTMENTID
<input type="radio"/>		789	AVAILDATE
<input type="radio"/>		789	ONSALEDATE
<input type="radio"/>		789	STATE
<input type="radio"/>		789	PROTECTION
<input type="radio"/>		789	QUANTITY
<input type="radio"/>		789	COMMITQUANTITY
<input type="radio"/>		789	ACTUALQUANTITY
<input type="radio"/>	A		ACTUALCOMMENT
<input type="radio"/>	A		BUYERCOMMENT
<input type="radio"/>		789	SEASONID
<input type="radio"/>	A		ORDERNUMBER
<input type="radio"/>	A		STYLENUMBER
<input type="radio"/>	A		OPTIONNUMBER
<input type="radio"/>		789	SUPPLIERID
<input type="radio"/>		789	ACCOUNTID
<input type="radio"/>		789	CREATIONDATE
<input type="radio"/>		789	COMMITDATE
<input type="radio"/>		789	PUBLISHDATE
<input type="radio"/>		789	FACTORYID
<input type="radio"/>		789	COUNTRYID
<input type="radio"/>		789	PRODUCTID
<input type="radio"/>		789	COLOURID
<input type="radio"/>	A		SUPPLIERREFERENCE
<input type="radio"/>		789	FIRSTNOTDONEID
<input type="radio"/>		789	FIRSTNOTDONEDATE
<input type="radio"/>	A		FIRSTNOTDONEDESC
<input type="radio"/>		789	ALERT
<input type="radio"/>		789	AVAILPLAN
<input type="radio"/>		789	AVAILFORECAST
<input type="radio"/>	A		SUPPLIERDIARY
<input type="radio"/>		789	FIRSTNOTDONENAMEID
<input type="radio"/>		789	PATHVALUE
<input type="radio"/>		789	TECHNOLOGISTID
<input type="radio"/>		789	PHASEID
<input type="radio"/>		789	PARENTID
<input type="radio"/>		789	ENTERPRISE_ID

TERMS (RetailServer11.1)



<input checked="" type="radio"/>	*	789	TERMINDEX
<input type="radio"/>	A		TERMNAME
<input type="radio"/>	A		SINGULAR
<input type="radio"/>	A		PLURAL
<input type="radio"/>	A		DESCRIPTION
<input type="radio"/>		789	ENTERPRISE_ID
<input type="radio"/>	A		LANGUAGE_CODE
<input type="radio"/>	A		LOCAL_NAME

EVENTS (RetailServer11.1)



<input type="radio"/>		789	PATHID
<input checked="" type="radio"/>	*	789	EVENTID
<input type="radio"/>		789	SUPPLIERID
<input type="radio"/>		789	EVENTDURATION
<input type="radio"/>		789	PLANDATE
<input type="radio"/>		789	COMMITDATE
<input type="radio"/>		789	ACTUALDATE
<input type="radio"/>	A		SUPPLIERCOMMENT
<input type="radio"/>	A		BUYERCOMMENT
<input type="radio"/>		789	DONE
<input type="radio"/>	A		DESCRIPTION
<input type="radio"/>		789	TYPE
<input type="radio"/>		789	DAYSBEFOREAMBER
<input type="radio"/>		789	DAYSBEFORERED
<input type="radio"/>		789	DAYSBEFORESALE
<input type="radio"/>		789	SERIAL
<input type="radio"/>		789	AMBERALERTED
<input type="radio"/>		789	REDALERTED
<input type="radio"/>		789	SPECIAL
<input type="radio"/>		789	EVENTNAMEID
<input type="radio"/>		789	REMINDERSENT
<input type="radio"/>		789	RESPONSIBLE
<input type="radio"/>		789	ENTERPRISE_ID

PORTFOLIOLABELS (RetailServer			
# *	789		LABELID
<input type="radio"/>	789		STATE
<input type="radio"/>	A		LABELCODE
<input type="radio"/>	A		DESCRIPTION
<input type="radio"/>	789		TYPEID
<input type="radio"/>	789		SUBTYPEID
<input type="radio"/>	A		CURRENTPRICE
<input type="radio"/>	789		LASTUSED
<input type="radio"/>	A		FIELDLIST
<input type="radio"/>	A		SCOPE
<input type="radio"/>	789		FIELDGENERATION
<input type="radio"/>	789		IMAGEID
<input type="radio"/>	789		ENTERPRISE_ID

DEPARTMENTS (RetailServer11.1)			
# *	789		DEPARTMENTID
<input type="radio"/>	A		DEPARTMENTNAME
<input type="radio"/>	A		DEPARTMENTNUMBER
<input type="radio"/>	789		DIVISIONID
<input type="radio"/>	789		ENTERPRISE_ID

PALETTECOLOURS (RetailServer1			
# *	789		NEWCOLOURID
<input type="radio"/>	A		COLOURNAME
<input type="radio"/>	A		COLOURCODE
<input type="radio"/>	789		RGB
<input type="radio"/>	A		SEASONLIST
<input type="radio"/>	A		SCOPE
<input type="radio"/>	789		ENTERPRISE_ID

PLAN_PLANDATA (RetailSer			
<input type="radio"/>	789		PLAN_ID
<input type="radio"/>	789		METRIC_DATE
<input type="radio"/>	789		DIVISION_ID
<input type="radio"/>	789		DEPARTMENT_ID
<input type="radio"/>	789		CLASS_ID
<input type="radio"/>	789		SUBCLASS_ID
<input type="radio"/>	A		MARKET_NAME
<input type="radio"/>	A		METRIC_CODE
<input type="radio"/>	789		METRIC_VALUE
<input type="radio"/>	789		ENTERPRISE_ID

DIVISIONS (RetailServer11.1)			
# *	789		DIVISIONID
<input type="radio"/>	A		DIVISIONNAME
<input type="radio"/>	A		DIVISIONNUMBER
<input type="radio"/>	789		ENTERPRISE_ID

FOLDERINFO (RetailServer1			
# *	789		FOLDERINFOID
<input type="radio"/>	A		DATATYPE
<input type="radio"/>	A		FILTER
<input type="radio"/>	789		PARENTID
<input type="radio"/>	A		FOLDERNAME
<input type="radio"/>	789		ENTERPRISE_ID
<input type="radio"/>	789		OWNERID

QUALITYFORMS (RetailServe			
# *	789		QFORMTYPE
<input type="radio"/>	A		QDESCRIPTION
<input type="radio"/>	A		QPAGES
# *	789		ENTERPRISE_ID
# *	A		QAPPCODE
<input type="radio"/>	789		SPECSHEET
<input type="radio"/>	789		UPLOADTIME

EVENTNAMES (RetailServer11)			
# *	789		EVENTNAMEID
<input type="radio"/>	A		EVENTNAME
<input type="radio"/>	A		EVENTDESCRIPTION
<input type="radio"/>	789		EVENTTYPE
<input type="radio"/>	789		ENTERPRISE_ID
<input type="radio"/>	789		TEMPLATE_ID

LABELFIELDS (RetailServer1			
# *	789		LABELFIELDID
<input type="radio"/>	A		FIELDNAME
<input type="radio"/>	789		FIELD_COST
<input type="radio"/>	789		VALUEGENERATION
<input type="radio"/>	789		ENTERPRISE_ID

CONFIGURATION (RetailServe			
# *	A		PARAMETER
<input type="radio"/>	A		SETTING
<input type="radio"/>	A		DESCRIPTION
<input type="radio"/>	789		INT_VALUE
# *	789		ENTERPRISE_ID

LABELFIELDVALUES (RetailS			
# *	789		FIELDVALUEID
<input type="radio"/>	789		LABELFIELDID
<input type="radio"/>	A		FIELDTEXT
<input type="radio"/>	789		FIELDICON
<input type="radio"/>	789		FIELDVALUE
<input type="radio"/>	789		ENTERPRISE_ID

ATTRIBUTES (RetailServer11.1)			
# *	789		ATTRIBUTEID
<input type="radio"/>	A		ATTRIBUTENAME
<input type="radio"/>	A		ATTRIBUTEDESCRIPTION
<input type="radio"/>	789		ENTERPRISE_ID

MATRIXMAP (RetailServer11.1)			
# *	789		QFORMTYPE
# *	A		APPCODE
# *	789		MATRIXID
# *	A		MAP_NAME
<input type="radio"/>	789		ITEM_TYPE
<input type="radio"/>	789		ROW_NUMBER
<input type="radio"/>	789		COL_NUMBER
<input type="radio"/>	A		DATA_TYPE
# *	789		ENTERPRISE_ID
<input type="radio"/>	A		CELL_NAME

IMAGES (RetailServer11.1)			
# *	789		IMAGEID
<input type="radio"/>	A		IMAGENAME
<input type="radio"/>	A		IMAGEDESCRIPTION
<input type="radio"/>	789		IMAGEWIDTH
<input type="radio"/>	789		IMAGEHEIGHT
<input type="radio"/>	A		IMAGEFILE
<input type="radio"/>	789		MODIFICATIONTIME
<input type="radio"/>	789		DEPARTMENTID
<input type="radio"/>	789		SEASONID
<input type="radio"/>	789		IMAGETYPE
<input type="radio"/>	789		IMAGESUBTYPE
<input type="radio"/>	789		ENTERPRISE_ID
<input type="radio"/>	789		STORAGE_INFO
<input type="radio"/>	A		LOCAL_NAME
<input type="radio"/>	789		PARENTID

DES_STYLENOTES (RetailServer			
# *	789		STYLENOTE_ID
<input type="radio"/>	789		STYLE_ID
<input type="radio"/>	789		USER_ID
<input type="radio"/>	789		NOTE_DATE
<input type="radio"/>	789		ENTERPRISE_ID
<input type="radio"/>	789		NOTE_OBJECT

PICTURES (RetailServer11.1)			
# *	789		PICTUREID
<input type="radio"/>	A		CONTEXT
<input type="radio"/>	A		SUBCONTEXT
<input type="radio"/>	789		IMAGEID
<input type="radio"/>	A		CAPTION
<input type="radio"/>	A		NOTES
<input type="radio"/>	A		POINTS
<input type="radio"/>	789		SEASONID
<input type="radio"/>	789		UPDATEBITS
<input type="radio"/>	789		ENTERPRISE_ID

ORDERS (RetailServer11.1)			
# *	789		ORDERID
<input type="radio"/>	A		ORDERNUMBER
<input type="radio"/>	789		DEPARTMENTID
<input type="radio"/>	789		SUPPLIERID
<input type="radio"/>	789		TOTALQUANTITY
<input type="radio"/>	789		DUEDATE
<input type="radio"/>	789		CREATEDATE
<input type="radio"/>	A		TRACKOPTION
<input type="radio"/>	A		DRAFTPATHMADE
<input type="radio"/>	A		ITEMPATHMADE
<input type="radio"/>	789		ITEMCOUNT
<input type="radio"/>	789		AMENDMENTS
<input type="radio"/>	789		ENTERPRISE_ID
<input type="radio"/>	A		ORDERCOMMENT
<input type="radio"/>	789		ORDERTYPE

COSTINGDATA (RetailServer11.1)			
# *	789		WORKSHEETID
<input type="radio"/>	789		COSTDATA
# *	789		TYPE
<input type="radio"/>	789		ENTERPRISE_ID

COUNTRIES (RetailServer11.1)			
# *	789		COUNTRYID
<input type="radio"/>	A		COUNTRYNAME
<input type="radio"/>	A		DIALCODE
<input type="radio"/>	789		ACTIVECOUNTRY
<input type="radio"/>	A		COUNTRYCODE
<input type="radio"/>	A		CURRENCYCODE
<input type="radio"/>	A		CURRENCYUNIT
<input type="radio"/>	789		ENTERPRISE_ID

PALETTES (RetailServer11.1)			
# *	789		PALETTEID
<input type="radio"/>	A		PALETTENAME
<input type="radio"/>	789		PHASEID
<input type="radio"/>	A		CATEGORY
<input type="radio"/>	A		COLOURLIST
<input type="radio"/>	789		SEASONID
<input type="radio"/>	A		SCOPE
<input type="radio"/>	789		LOCAL
<input type="radio"/>	789		ENTERPRISE_ID
<input type="radio"/>	A		PALETTECODE

ORDERITEMS (RetailServer11.1)			
# *	789		ORDERITEMID
<input type="radio"/>	789		PARENTORDERID
<input type="radio"/>	789		PRODUCTID
<input type="radio"/>	789		COLOURID
<input type="radio"/>	789		QUANTITY
<input type="radio"/>	789		ACCOUNTID
<input type="radio"/>	789		FACTORYID
<input type="radio"/>	789		COUNTRYID
<input type="radio"/>	A		PATHMADE
<input type="radio"/>	789		ENTERPRISE_ID

DES_MATERIALS (RetailServer1			
<input checked="" type="checkbox"/>	*	789	MATERIAL_ID
<input type="checkbox"/>		789	MATERIAL_TYPE
<input type="checkbox"/>	A		PART_CODE
<input type="checkbox"/>	A		DESCRIPTION
<input type="checkbox"/>	A		SPEC_CODE
<input type="checkbox"/>	A		MEASURE_UNIT
<input type="checkbox"/>		789	SUPPLIER_PRICE
<input type="checkbox"/>		789	PURCHASE_PRICE
<input type="checkbox"/>		789	LEAD_TIME
<input type="checkbox"/>	A		SUPPLIER_CODE
<input type="checkbox"/>	A		COLOUR_REF
<input type="checkbox"/>	A		CARE_INSTRUCTIONS
<input type="checkbox"/>	A		CONFIRMED
<input type="checkbox"/>		789	WIDTH
<input type="checkbox"/>	A		CURRENCY_NAME
<input type="checkbox"/>	A		SPECIAL_INSTRUCTIONS
<input type="checkbox"/>		789	FABRIC_WIDTH1
<input type="checkbox"/>		789	FABRIC_WIDTH2
<input type="checkbox"/>	A		WEAVE_REF
<input type="checkbox"/>	A		PRINT_REF
<input type="checkbox"/>		789	WEIGHT
<input type="checkbox"/>		789	ENTERPRISE_ID

WORKSHEETLABELS (RetailSe			
<input checked="" type="checkbox"/>	*	789	WORKSHEETLABELID
<input type="checkbox"/>		789	WORKSHEETID
<input type="checkbox"/>		789	LABELID
<input type="checkbox"/>	A		BUYERCOMMENT
<input type="checkbox"/>		789	DATEADDED
<input type="checkbox"/>	A		FIELDSETTINGS
<input type="checkbox"/>		789	ENTERPRISE_ID

PALETTEITEMS (RetailServer11			
<input type="checkbox"/>		789	PALETTE_ID
<input type="checkbox"/>		789	COLOUR_ID
<input type="checkbox"/>		789	COLOUR_ORDER
<input type="checkbox"/>		789	ENTERPRISE_ID

KEYDATA (RetailServer11.1)			
<input checked="" type="radio"/>	*	789	KEYDATAID
<input type="radio"/>	A		ITEMNAME
<input type="radio"/>	A		CLASS
<input type="radio"/>		789	PARENTID
<input type="radio"/>		789	DEPARTMENTID
<input type="radio"/>		789	SEASONID
<input type="radio"/>	A		EXTRADATA
<input type="radio"/>		789	ENTERPRISE_ID

REASONS (RetailServer11.1)			
<input checked="" type="radio"/>	*	789	REASONID
<input type="radio"/>	A		REASONNAME
<input type="radio"/>		789	ENTERPRISE_ID

MATRICES (RetailServer11.1)			
<input checked="" type="radio"/>	*	789	MATRIXID
<input type="radio"/>	A		MATRIXNAME
<input type="radio"/>	A		DESCRIPTION
<input type="radio"/>		789	COLUMNCOUNT
<input type="radio"/>		789	ROWCOUNT
<input type="radio"/>	A		WIDTHS
<input type="radio"/>		789	ISMATRIX
<input type="radio"/>		789	ENTERPRISE_ID
<input type="radio"/>	A		APPCODE
<input type="radio"/>	A		IMAGENAMES

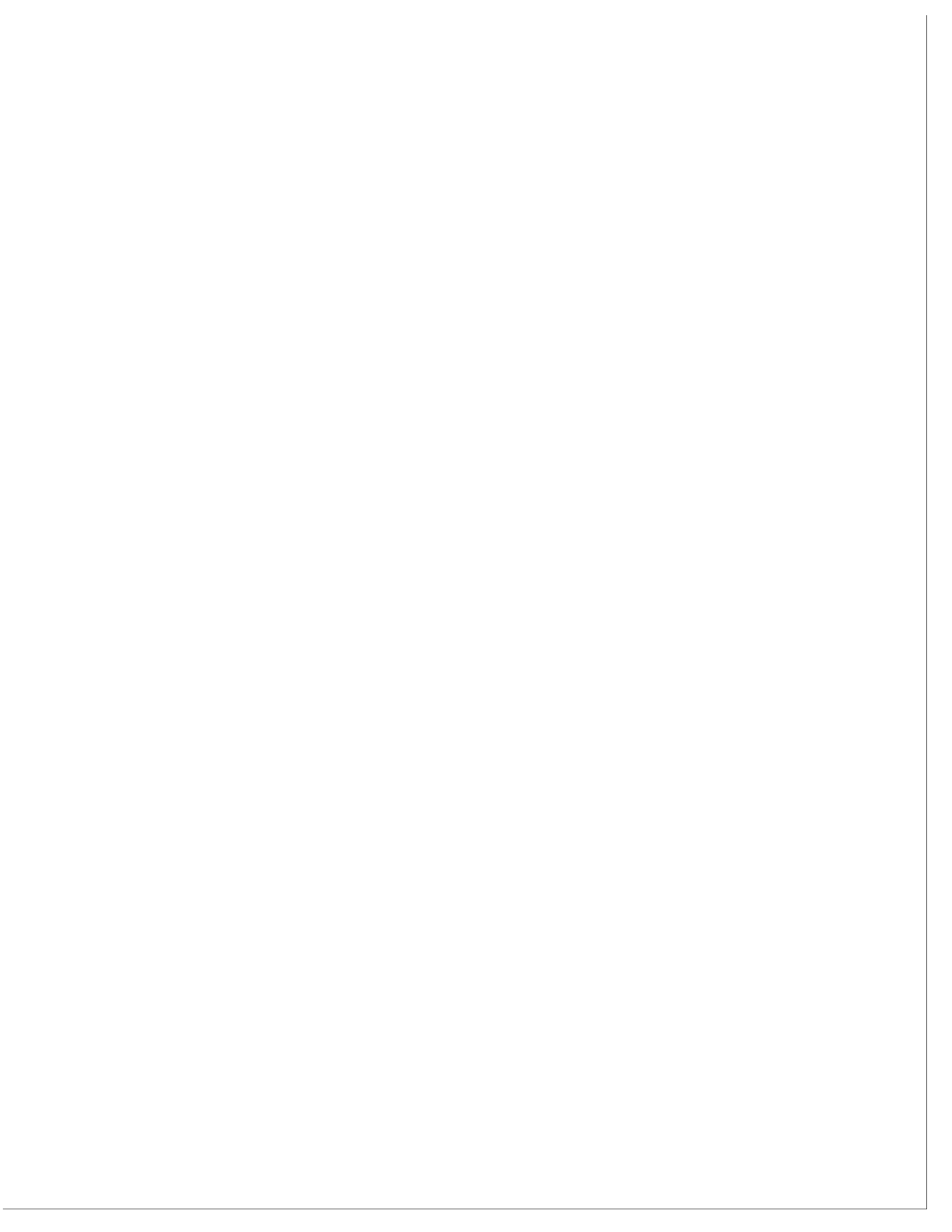
MAILINSERTS (RetailServer11.1)			
<input type="radio"/>		789	INSERTCODE
<input type="radio"/>	A		INSERTNAME
<input checked="" type="radio"/>	*	A	INSERTABBREV
<input checked="" type="radio"/>	*	789	APPLICATION

RANGES (RetailServer11.1)			
<input checked="" type="radio"/>	*	789	RANGEID
<input type="radio"/>	A		RANGENAME
<input type="radio"/>	A		RANGEDescription
<input type="radio"/>	A		WORKSHEETLIST
<input type="radio"/>		789	DEPARTMENTID
<input type="radio"/>		789	SEASONID
<input type="radio"/>	A		IMAGELAYOUT
<input type="radio"/>	A		EXTRAIMAGEList
<input type="radio"/>		789	BACKIMAGE_ID
<input type="radio"/>		789	BACKIMAGE_OPTION
<input type="radio"/>		789	GRID_OPTION
<input type="radio"/>		789	CREATOR_ID
<input type="radio"/>		789	CREATOR_ENTERPRISE
<input type="radio"/>		789	CREATION_DATE
<input type="radio"/>		789	ENTERPRISE_ID
<input type="radio"/>		789	PARENTID
<input type="radio"/>		789	GRID_COLOUR
<input type="radio"/>		789	BACKGROUND_COLOUR
<input type="radio"/>	A		STATUS_CODE

MAIL (RetailServer11.1)			
# *	789		MAILID
<input type="radio"/>	A		LOOKUP
<input type="radio"/>	A		SHORTNAME
<input type="radio"/>	A		DESCRIPTION
<input type="radio"/>	A		SUBJECT
<input type="radio"/>	A		MAILTEXT
<input type="radio"/>	789		MAILTO
<input type="radio"/>	789		GROUPID
<input type="radio"/>	A		GROUPLOOKUP
<input type="radio"/>	789		MAILTYPE
<input type="radio"/>	789		APPLICATION
<input type="radio"/>	789		ENTERPRISE_ID

DES_STYLELOG (RetailServer11.1)			
# *	789		STYLELOG_ID
<input type="radio"/>	789		STYLE_ID
<input type="radio"/>	789		USER_ID
<input type="radio"/>	789		LOG_DATE
<input type="radio"/>	A		LOG_COMMENT
<input type="radio"/>	789		LOG_OBJECT
<input type="radio"/>	789		ENTERPRISE_ID

DES_STYLES (RetailServer11.1)			
# *	789		STYLE_ID
<input type="radio"/>	A		SHORT_NAME
<input type="radio"/>	A		LONG_NAME
<input type="radio"/>	789		CREATION_DATE
<input type="radio"/>	789		CHANGE_DATE
<input type="radio"/>	789		RETAILER_ID
<input type="radio"/>	789		R_DEPT_ID
<input type="radio"/>	789		R_CLASS_ID
<input type="radio"/>	789		R_SUBCLASS_ID
<input type="radio"/>	789		R_SEASON_ID
<input type="radio"/>	789		R_PHASE_ID
<input type="radio"/>	789		R_BUYER_ID
<input type="radio"/>	789		R_QUALITY_ID
<input type="radio"/>	789		R_DESIGNER_ID
<input type="radio"/>	789		R_THEME_ID
<input type="radio"/>	789		R_SIZERANGE_ID
<input type="radio"/>	A		R_COLOUR_LIST
<input type="radio"/>	A		R_STYLE_NUMBER
<input type="radio"/>	789		R_PRICE_OPTION
<input type="radio"/>	789		R_RETAIL_PRICE
<input type="radio"/>	789		R_VAT_RATE
<input type="radio"/>	789		R_STATE_ID
<input type="radio"/>	789		R_STATE_DATE
<input type="radio"/>	789		SUPPLIER_ID
<input type="radio"/>	789		S_ACCOUNT_ID
<input type="radio"/>	A		S_DESIGN_NUMBER
<input type="radio"/>	789		S_DESIGNER_ID
<input type="radio"/>	789		S_TECH_ID
<input type="radio"/>	789		S_TEAM_ID
<input type="radio"/>	789		S_LOCATION_ID
<input type="radio"/>	789		S_COUNTRY_ID
<input type="radio"/>	789		S_COST_OPTION
<input type="radio"/>	789		S_NET_COST
<input type="radio"/>	789		S_STATE_ID
<input type="radio"/>	789		S_STATE_DATE
<input type="radio"/>	789		VOLUME
<input type="radio"/>	A		VERSION_NUMBER
<input type="radio"/>	789		ORIGINAL_ID
<input type="radio"/>	789		PERMISSIONS
<input type="radio"/>	A		STATUS_CODE
<input type="radio"/>	A		RANDOM_JUNK
<input type="radio"/>	789		ENTERPRISE_ID
<input type="radio"/>	789		AGENT_ID
<input type="radio"/>	789		A_CONTACT_ID
<input type="radio"/>	A		MISC_JUNK
<input type="radio"/>	A		DATA_CHANGE
<input type="radio"/>	A		DOCUMENT_CHANGE
<input type="radio"/>	789		R_FOBCOUNTRY_ID
<input type="radio"/>	789		R_FOBLOCATION_ID
<input type="radio"/>	789		EDIT_USER_ID
<input type="radio"/>	789		EDIT_ENT_ID
<input type="radio"/>	A		CONFIG_NAME
<input type="radio"/>	789		DOCEXPOR_DATE
<input type="radio"/>	789		LASTNOTE_DATE



WT_ENTERPRISES (RetailServer11.1)			
# *	789		ENTERPRISE_ID
<input type="radio"/>	A		ENTERPRISE_CODE
<input type="radio"/>	A		LOOKUP_CODE
<input type="radio"/>	789		CATEGORY_ID
<input type="radio"/>	789		ETYPE_ID
<input type="radio"/>	A		COMPANY_NAME
<input type="radio"/>	A		LOOKUP_NAME
<input type="radio"/>	A		CONTACT_EMAIL
<input type="radio"/>	789		COMPANY_COUNTRY
<input type="radio"/>	789		INITIAL_ADMIN_ID
<input type="radio"/>	A		ADDRESS_INFO
<input type="radio"/>	A		SERVICE_LIST

WT_TYPES (RetailServer11.1)			
# *	789		TYPE_ID
<input type="radio"/>	A		TYPENAME
<input type="radio"/>	A		TYPEVALUE
<input type="radio"/>	789		APPLICATION_USE

WT_ADMINS (RetailServer11.1)			
# *	789		ADMIN_ID
<input type="radio"/>	A		USERNAME
<input type="radio"/>	A		PASSWORD
<input type="radio"/>	789		ADMIN_LEVEL
<input type="radio"/>	A		FIRSTNAME
<input type="radio"/>	A		LASTNAME
<input type="radio"/>	A		CONTACT_INFO
<input type="radio"/>	A		EMAIL_ADDRESS

WT_SERVICES (RetailServer11.1)			
# *	789		SERVICE_ID
<input type="radio"/>	789		SERVICE_ORDERING
<input type="radio"/>	A		SERVICE_NAME
<input type="radio"/>	A		SERVICE_KEY
<input type="radio"/>	789		SERVICE_STATE
<input type="radio"/>	A		ACTIVE_URL
<input type="radio"/>	A		INACTIVE_URL
<input type="radio"/>	789		FREE_DAYS
<input type="radio"/>	789		MONTHLY_CHARGE
<input type="radio"/>	789		SERVICE_TYPE
<input type="radio"/>	A		ADMIN_URL

WT_SRVUSERTYPES (RetailServer11.1)			
# *	789		USERTYPE_ID
<input type="radio"/>	789		SERVICE_ID
<input type="radio"/>	A		TYPE_KEY
<input type="radio"/>	A		TYPE_DESCRIPTION
<input type="radio"/>	789		TYPE_TYPE
<input type="radio"/>	789		DEFAULT_ON

Oracle Designer

Report : TABLE DEFINITION
Filename : RetailServer111.pdf
Run by : DESIGNER2
Report Date : 27 April 2005
Total Pages : 182

Parameter Values

Workarea : GLOBAL SHARED WORKAREA
Container : RetailServer11.1
Container Version :
Recurse Sub-Containers : N
Tab/View/Snap Name : %
Diagram :

Includes
Tables : Yes
Views : Yes
Snapshots : Yes
Column Details : Yes

Tables Created
On/After :
and On/Before : 27 April 2005

Tables Changed
On/After :
On/Before : 27 April 2005

Table Definition

Container : RetailServer11.1 Version :

Table Name : ATTRIBUTES Alias :
Display Title :

Comment : Item attributes for Webtrack reporting

Volumes

Start Rows : End Rows :

Storage

Index-organized ? No

Column Summary

<u>Col.Seq.</u>	<u>Column</u>	<u>Nulls ?</u>	<u>Type</u>
10	ATTRIBUTEID	NOT NULL	NUMBER ()
20	ATTRIBUTENAME	NULL	VARCHAR2 (64)
30	ATTRIBUTEDESCRIPTION	NULL	VARCHAR2 (255)
40	ENTERPRISE_ID	NULL	NUMBER ()

Primary Key

<u>Name</u>	<u>Column</u>
PK_ATTRIBUTES	ATTRIBUTEID

Index Summary

<u>Name</u>	<u>Seq.</u>	<u>Column</u>	<u>Index Type</u>
ATTR_I1	1	ENTERPRISE_ID	NOT UNIQUE

Column Detail

10	ATTRIBUTEID	Optional ? :No ; Number () ;() ; ; Uppercase ? :No ; Default Value :0 ;
20	ATTRIBUTENAME	Name as displayed Optional ? :Yes ; Varchar2 (64) ;() ; ; Uppercase ? :No ;
30	ATTRIBUTEDESCRIPTION	Optional description Optional ? :Yes ; Varchar2 (255) ;() ; ; Uppercase ? :No ;
40	ENTERPRISE_ID	Optional ? :Yes ; Number () ;() ; ; Uppercase ? :No ; Default Value :0 ;

Table Definition

Container : RetailServer11.1 Version :

Table Name : BCI_CHANNELS Alias :
Display Title :

Comment : Standard integrator channels (FTP, etc)

Volumes

Start Rows : End Rows :

Storage

Index-organized ? No

Column Summary

<u>Col.Seq.</u>	<u>Column</u>	<u>Nulls ?</u>	<u>Type</u>
10	CHANNEL_ID	NOT NULL	NUMBER ()
20	CHANNEL_NAME	NOT NULL	VARCHAR2 (100)
30	CHANNEL_DESC	NULL	VARCHAR2 (300)

Primary Key

<u>Name</u>	<u>Column</u>
PK_BCI_CHANS	CHANNEL_ID

Index Summary

<u>Name</u>	<u>Seq.</u>	<u>Column</u>	<u>Index Type</u>
BCI_CHANNELS_C1	1	CHANNEL_NAME	NOT UNIQUE

Column Detail

10	CHANNEL_ID	Unique channel ID Optional ? :No ; Number () ;() ; ; Uppercase ? :No ;
20	CHANNEL_NAME	Lookup name Optional ? :No ; Varchar2 (100) ;() ; ; Uppercase ? :No ;
30	CHANNEL_DESC	Descriptive text Optional ? :Yes ; Varchar2 (300) ;() ; ; Uppercase ? :No ;

Table Definition

Container : RetailServer11.1 Version :

Table Name : BCI_CHANNEL_PARAMS Alias :
Display Title :

Comment : Definitions of parameters associated with channels

Volumes

Start Rows : End Rows :

Storage

Index-organized ? No

Column Summary

<u>Col.Seq.</u>	<u>Column</u>	<u>Nulls ?</u>	<u>Type</u>
10	PARAMETER_ID	NOT NULL	NUMBER ()
20	CHANNEL_ID	NOT NULL	NUMBER ()
30	PARAMETER_NAME	NOT NULL	VARCHAR2 (100)
40	PARAMETER_DESC	NULL	VARCHAR2 (300)

Primary Key

<u>Name</u>	<u>Column</u>
PK_BCI_CHPRMS	PARAMETER_ID

Foreign Keys

BCI_CP_FK1

CHANNEL_ID	references	BCI_CHANNELS.CHANNEL_ID
Transferable ?	Yes	Update Rule : Restricted
Mandatory ?	Yes	Delete Rule : Restricted

Index Summary

<u>Name</u>	<u>Seq.</u>	<u>Column</u>	<u>Index Type</u>
BCI_CHPRMS_I1	1	CHANNEL_ID	NOT UNIQUE
BCI_CHPRMS_I1	2	PARAMETER_NAME	NOT UNIQUE

Column Detail

10	PARAMETER_ID	Unique ID for parameter
		Optional ? :No ; Number () ;() ; ; Uppercase ? :No ;
20	CHANNEL_ID	Channel identier
		Optional ? :No ; Number () ;() ; ; Uppercase ? :No ;

Table Definition

Container : RetailServer11.1 Version :

Column Detail

```
30  PARAMETER_NAME
    Internal parameter name
    Optional ? :No ; Varchar2 (100) ;() ; ; Uppercase ? :No ;
40  PARAMETER_DESC
    Descriptive text
    Optional ? :Yes ; Varchar2 (300) ;() ; ; Uppercase ? :No ;
```

Table Definition

Container : RetailServer11.1 Version :

Table Name : BCI_DATA_SETS Alias :
Display Title :

Comment : Complete and current processing jobs

Volumes

Start Rows : End Rows :

Storage

Index-organized ? No

Column Summary

<u>Col.Seq.</u>	<u>Column</u>	<u>Nulls ?</u>	<u>Type</u>
10	DATA_SET_ID	NOT NULL	NUMBER ()
20	DATA_STREAM_ID	NOT NULL	NUMBER ()
30	ENTERPRISE_DATA_STREAM_ID	NOT NULL	NUMBER ()
40	CREATE_DATE	NOT NULL	DATE
50	DATA_FILE_DIR	NULL	VARCHAR2 (300)
60	DATA_FILE_NAME	NULL	VARCHAR2 (300)
70	DATA_SET_STATUS	NULL	VARCHAR2 (1)
80	USER_ID	NULL	NUMBER ()

Primary Key

<u>Name</u>	<u>Column</u>
PK_BCI_DSETS	DATA_SET_ID

Foreign Keys

BCI_DS_FK1

DATA_STREAM_ID	references	BCI_DATA_STREAMS.DATA_STREAM_ID
Transferable ?	Yes	Update Rule : Restricted
Mandatory ?	Yes	Delete Rule : Restricted

BCI_DS_FK2

ENTERPRISE_DATA_STREAM_ID	references	BCI_ENTERPRISE_DATA_STREAMS. ENTERPRISE_DATA_STREAM_ID
Transferable ?	Yes	Update Rule : Restricted
Mandatory ?	Yes	Delete Rule : Restricted

Column Detail

10	DATA_SET_ID
	Unique ID
	Optional ? :No ; Number () ; () ; ; Uppercase ? :No ;

Table Definition

Container : RetailServer11.1 Version :

Column Detail

```
20  DATA_STREAM_ID
    Associated data stream
    Optional ? :No ; Number ( ) ; ( ) ; ; Uppercase ? :No ;

30  ENTERPRISE_DATA_STREAM_ID
    Associated enterprise instance of data stream
    Optional ? :No ; Number ( ) ; ( ) ; ; Uppercase ? :No ;

40  CREATE_DATE
    Creation date
    Optional ? :No ; Date ; ( ) ; ; Uppercase ? :No ;

50  DATA_FILE_DIR
    Directory containing data file
    Optional ? :Yes ; Varchar2 (300) ; ( ) ; ; Uppercase ? :No ;

60  DATA_FILE_NAME
    File within directory
    Optional ? :Yes ; Varchar2 (300) ; ( ) ; ; Uppercase ? :No ;

70  DATA_SET_STATUS
    Status (processing, complete, etc)
    Optional ? :Yes ; Varchar2 (1) ; ( ) ; ; Uppercase ? :No ;

80  USER_ID
    Owning user
    Optional ? :Yes ; Number ( ) ; ( ) ; ; Uppercase ? :No ;
```

Table Definition

Container : RetailServer11.1 Version :

Table Name : BCI_DATA_STREAMS Alias :
Display Title :

Comment : List of distinct data streams

Volumes

Start Rows : End Rows :

Storage

Index-organized ? No

Column Summary

<u>Col.Seq.</u>	<u>Column</u>	<u>Nulls ?</u>	<u>Type</u>
10	DATA_STREAM_ID	NOT NULL	NUMBER ()
20	DATA_STREAM_DESC	NOT NULL	VARCHAR2 (300)

Primary Key

<u>Name</u>	<u>Column</u>
PK_BCI_DSTRS	DATA_STREAM_ID

Column Detail

10	DATA_STREAM_ID	Unique ID	Optional ? :No ; Number () ; () ; ; Uppercase ? :No ;
20	DATA_STREAM_DESC	Descriptive text	Optional ? :No ; Varchar2 (300) ; () ; ; Uppercase ? :No ;

Table Definition

Container : RetailServer11.1 Version :

Table Name : BCI_DATA_STREAM_STEPS Alias :
Display Title :

Comment : List of steps within data streams

Volumes

Start Rows : End Rows :

Storage

Index-organized ? No

Column Summary

<u>Col.Seq.</u>	<u>Column</u>	<u>Nulls ?</u>	<u>Type</u>
10	DATA_STREAM_STEP_ID	NOT NULL	NUMBER ()
20	DATA_STREAM_ID	NOT NULL	NUMBER ()
30	STEP_NBR	NOT NULL	NUMBER ()
40	STEP_DESC	NOT NULL	VARCHAR2 (300)
50	JAVA_CLASS_NAME	NOT NULL	VARCHAR2 (300)
60	METHOD_NAME	NOT NULL	VARCHAR2 (300)
70	STEP_CONTEXT_VALUES_ID	NULL	NUMBER ()

Primary Key

<u>Name</u>	<u>Column</u>
PK_BCI_DSSTEPS	DATA_STREAM_STEP_ID

Foreign Keys

BCI_DSS_FK1

DATA_STREAM_ID	references	BCI_DATA_STREAMS.DATA_STREAM_ID
Transferable ?	Yes	Update Rule : Restricted
Mandatory ?	Yes	Delete Rule : Restricted

Index Summary

<u>Name</u>	<u>Seq.</u>	<u>Column</u>	<u>Index Type</u>
BCI_DSSTEPS_I1	1	DATA_STREAM_ID	NOT UNIQUE
BCI_DSSTEPS_I1	2	STEP_NBR	NOT UNIQUE

Column Detail

10	DATA_STREAM_STEP_ID
	Unique ID
	Optional ? :No ; Number () ;() ; ; Uppercase ? :No ;

Table Definition

Container : RetailServer11.1 Version :

Column Detail

20 DATA_STREAM_ID
 Reference to data stream
 Optional ? :No ; Number () ; () ; ; Uppercase ? :No ;

30 STEP_NBR
 Step number in stream
 Optional ? :No ; Number () ; () ; ; Uppercase ? :No ;

40 STEP_DESC
 Description of step
 Optional ? :No ; Varchar2 (300) ; () ; ; Uppercase ? :No ;

50 JAVA_CLASS_NAME
 Java class name
 Optional ? :No ; Varchar2 (300) ; () ; ; Uppercase ? :No ;

60 METHOD_NAME
 Method within class
 Optional ? :No ; Varchar2 (300) ; () ; ; Uppercase ? :No ;

70 STEP_CONTEXT_VALUES_ID
 Refers to bci_step_context_values table
 Optional ? :Yes ; Number () ; () ; ; Uppercase ? :No ;

Table Definition

Container : RetailServer11.1 Version :

Table Name : BCI_ENTERPRISE_DATA_STREAMS Alias :
Display Title :

Comment : Record of data streams assigned to enterprises

Volumes

Start Rows : End Rows :

Storage

Index-organized ? No

Column Summary

<u>Col.Seq.</u>	<u>Column</u>	<u>Nulls ?</u>	<u>Type</u>
10	ENTERPRISE_DATA_STREAM_ID	NOT NULL	NUMBER ()
20	ENTERPRISE_ID	NOT NULL	NUMBER ()
30	DATA_STREAM_ID	NOT NULL	NUMBER ()
40	FILE_TYPE	NOT NULL	VARCHAR2 (300)
50	DESCRIPTION	NOT NULL	VARCHAR2 (300)
60	PURGE_DURATION	NULL	NUMBER ()

Primary Key

<u>Name</u>	<u>Column</u>
PK_BCI_ENTDS	ENTERPRISE_DATA_STREAM_ID

Foreign Keys

BCI_EDS_FK1

DATA_STREAM_ID	references	BCI_DATA_STREAMS.DATA_STREAM_ID
Transferable ?	Yes	Update Rule : Restricted
Mandatory ?	Yes	Delete Rule : Restricted

Index Summary

<u>Name</u>	<u>Seq.</u>	<u>Column</u>	<u>Index Type</u>
BCI_ENTDS_I1	1	ENTERPRISE_ID	NOT UNIQUE
BCI_ENTDS_I1	2	FILE_TYPE	NOT UNIQUE

Column Detail

10	ENTERPRISE_DATA_STREAM_ID	Unique ID
		Optional ? :No ; Number () ;() ; ; Uppercase ? :No ;
20	ENTERPRISE_ID	

Table Definition

Container : RetailServer11.1 Version :

Column Detail

```
Enterprise ID
Optional ? :No ; Number ( ) ; ( ) ; ; Uppercase ? :No ;
30 DATA_STREAM_ID
Reference to data stream
Optional ? :No ; Number ( ) ; ( ) ; ; Uppercase ? :No ;
40 FILE_TYPE
File type name
Optional ? :No ; Varchar2 (300) ; ( ) ; ; Uppercase ? :No ;
50 DESCRIPTION
Descriptive text
Optional ? :No ; Varchar2 (300) ; ( ) ; ; Uppercase ? :No ;
60 PURGE_DURATION
Purge setup
Optional ? :Yes ; Number ( ) ; ( ) ; ; Uppercase ? :No ;
```


Table Definition

Container : RetailServer11.1 Version :

Column Detail

```
40  RUN_TYPE_NAME
    Run type name as entered in integrator admin
    Optional ? :No ; Varchar2 (100) ;() ; ; Uppercase ? :No ;

50  PARAMETER_VALUE
    Value of parameter
    Optional ? :Yes ; Varchar2 (300) ;() ; ; Uppercase ? :No ;

60  PARAMETER_DESC
    Descriptive text
    Optional ? :Yes ; Varchar2 (300) ;() ; ; Uppercase ? :No ;
```

Table Definition

Container : RetailServer11.1 Version :

Table Name : BCI_FILE_TYPES Alias :
Display Title :

Comment : List of file types in integrator

Volumes

Start Rows : End Rows :

Storage

Index-organized ? No

Column Summary

<u>Col.</u>	<u>Seq.</u>	<u>Column</u>	<u>Nulls ?</u>	<u>Type</u>
10		FILE_TYPE_ID	NOT NULL	NUMBER ()
20		NAME	NOT NULL	VARCHAR2 (100)
30		DEFAULT_DS_ID	NOT NULL	NUMBER ()
40		FILE_TYPE_DESC	NULL	VARCHAR2 (300)
50		LINK_TO_APP	NULL	VARCHAR2 (1)

Primary Key

<u>Name</u>	<u>Column</u>
PK_BCI_FTPES	FILE_TYPE_ID

Index Summary

<u>Name</u>	<u>Seq.</u>	<u>Column</u>	<u>Index Type</u>
BCI_FILE_TYPES_C1	1	NAME	NOT UNIQUE

Column Detail

10	FILE_TYPE_ID	Unique ID Optional ? :No ; Number () ;() ; ; Uppercase ? :No ;
20	NAME	File type name Optional ? :No ; Varchar2 (100) ;() ; ; Uppercase ? :No ;
30	DEFAULT_DS_ID	Default associated data stream Optional ? :No ; Number () ;() ; ; Uppercase ? :No ;
40	FILE_TYPE_DESC	Descriptive text Optional ? :Yes ; Varchar2 (300) ;() ; ; Uppercase ? :No ;
50	LINK_TO_APP	

Table Definition

Container : RetailServer11.1 Version :

Column Detail

Not sure?

Optional ? :Yes ; Varchar2 (1) ;() ; ; Uppercase ? :No ;

Table Definition

Container : RetailServer11.1 Version :

Column Detail

```
Optional ? :Yes ; Varchar2 (50) ;() ; ; Uppercase ? :No ;
40 FOLDER_TYPE_ID
Folder type (1 = leaf, 3 = folder)
Optional ? :No ; Number () ;() ; ; Uppercase ? :No ;
50 FILE_TYPE
Associated file type
Optional ? :Yes ; Varchar2 (300) ;() ; ; Uppercase ? :No ;
60 URL
URL to fetch data
Optional ? :Yes ; Varchar2 (300) ;() ; ; Uppercase ? :No ;
70 URL_PARAMETERS
Parameters for fetch
Optional ? :Yes ; Varchar2 (300) ;() ; ; Uppercase ? :No ;
80 TEMPLATE_ID
Reference to html templates
Optional ? :Yes ; Number () ;() ; ; Uppercase ? :No ;
90 DESCRIPTION
Descriptive text
Optional ? :Yes ; Varchar2 (300) ;() ; ; Uppercase ? :No ;
```


Table Definition

Container : RetailServer11.1 Version :

Table Name : BCI_GUI_FOLDER_TREE Alias :
Display Title :

Comment : Folder parent/child relationships

Volumes

Start Rows : End Rows :

Storage

Index-organized ? No

Column Summary

<u>Col.Seq.</u>	<u>Column</u>	<u>Nulls ?</u>	<u>Type</u>
10	FOLDER_TREE_ID	NOT NULL	NUMBER ()
20	CHILD_FOLDER_ID	NOT NULL	NUMBER ()
30	PARENT_FOLDER_ID	NULL	NUMBER ()
40	CHILD_LEVEL_ID	NOT NULL	NUMBER ()

Primary Key

<u>Name</u>	<u>Column</u>
PK_BCI_GUIFTR	FOLDER_TREE_ID

Column Detail

10	FOLDER_TREE_ID	Unique ID Optional ? :No ; Number () ;() ; ; Uppercase ? :No ;
20	CHILD_FOLDER_ID	ID of child folder Optional ? :No ; Number () ;() ; ; Uppercase ? :No ;
30	PARENT_FOLDER_ID	ID of parent folder Optional ? :Yes ; Number () ;() ; ; Uppercase ? :No ;
40	CHILD_LEVEL_ID	Level of child folder Optional ? :No ; Number () ;() ; ; Uppercase ? :No ;

Table Definition

Container : RetailServer11.1 Version :

Table Name : BCI_GUI_FOLDER_TYPES Alias :
Display Title :

Comment : Distinct folder types (just 2)

Volumes

Start Rows : End Rows :

Storage

Index-organized ? No

Column Summary

<u>Col.Seq.</u>	<u>Column</u>	<u>Nulls ?</u>	<u>Type</u>
10	FOLDER_TYPE_ID	NOT NULL	NUMBER ()
20	NAME	NULL	VARCHAR2 (50)
30	DESCRIPTION	NULL	VARCHAR2 (300)

Primary Key

<u>Name</u>	<u>Column</u>
PK_BCI_GUIFITY	FOLDER_TYPE_ID

Column Detail

10	FOLDER_TYPE_ID	Unique ID	Optional ? :No ; Number () ; () ; ; Uppercase ? :No ;
20	NAME	Display name	Optional ? :Yes ; Varchar2 (50) ; () ; ; Uppercase ? :No ;
30	DESCRIPTION	Descriptive text	Optional ? :Yes ; Varchar2 (300) ; () ; ; Uppercase ? :No ;

Table Definition

Container : RetailServer11.1 Version :

Table Name : BCI_GUI_OBJECT_DETAIL Alias :
Display Title :

Comment : GUI object details

Volumes

Start Rows : End Rows :

Storage

Index-organized ? No

Column Summary

<u>Col.Seq.</u>	<u>Column</u>	<u>Nulls ?</u>	<u>Type</u>
10	DETAIL_ID	NOT NULL	NUMBER ()
20	HEADER_ID	NULL	NUMBER ()
30	LABEL	NULL	VARCHAR2 (100)
40	VALUE	NULL	VARCHAR2 (100)
50	SEQ	NULL	NUMBER ()
60	IS_DEFAULT	NULL	VARCHAR2 (1)
70	DESCRIPTION	NULL	VARCHAR2 (100)

Primary Key

<u>Name</u>	<u>Column</u>
PK_BCI_GUIOD	DETAIL_ID

Foreign Keys

BCI_GOD_FK1

HEADER_ID	references	BCI_GUI_OBJECT_HEAD.HEADER_ID
Transferable ?	Yes	Update Rule : Restricted
Mandatory ?	No	Delete Rule : Restricted

Column Detail

10	DETAIL_ID	Unique ID	Optional ? :No ; Number () ;() ; ; Uppercase ? :No ;
20	HEADER_ID	Reference to bci_gui_object_head	Optional ? :Yes ; Number () ;() ; ; Uppercase ? :No ;
30	LABEL	Display label	Optional ? :Yes ; Varchar2 (100) ;() ; ; Uppercase ? :No ;

Table Definition

Container : RetailServer11.1 Version :

Column Detail

40 VALUE
 Value
 Optional ? :Yes ; Varchar2 (100) ;() ; ; Uppercase ? :No ;

50 SEQ
 Optional sequence (always null?)
 Optional ? :Yes ; Number () ;() ; ; Uppercase ? :No ;

60 IS_DEFAULT
 Default flag (always null?)
 Optional ? :Yes ; Varchar2 (1) ;() ; ; Uppercase ? :No ;

70 DESCRIPTION
 Descriptive text
 Optional ? :Yes ; Varchar2 (100) ;() ; ; Uppercase ? :No ;

Table Definition

Container : RetailServer11.1 Version :

Table Name : BCI_GUI_OBJECT_HEAD Alias :
Display Title :

Comment : GUI object head records

Volumes

Start Rows : End Rows :

Storage

Index-organized ? No

Column Summary

<u>Col.Seq.</u>	<u>Column</u>	<u>Nulls ?</u>	<u>Type</u>
10	HEADER_ID	NOT NULL	NUMBER ()
20	OBJECT_ID	NULL	NUMBER ()
30	HTML_CODE	NULL	VARCHAR2 (30)
40	HTML_LABEL	NULL	VARCHAR2 (100)

Primary Key

<u>Name</u>	<u>Column</u>
PK_BCI_GUIOH	HEADER_ID

Foreign Keys

BCI_GOH_FK1

OBJECT_ID	references	BCI_GUI_OBJECTS.OBJECT_ID
Transferable ?	Yes	Update Rule : Restricted
Mandatory ?	No	Delete Rule : Restricted

Column Detail

10	HEADER_ID	Unique ID	Optional ? :No ; Number () ;() ; ; Uppercase ? :No ;
20	OBJECT_ID	Reference to GUI objects	Optional ? :Yes ; Number () ;() ; ; Uppercase ? :No ;
30	HTML_CODE	Internal code	Optional ? :Yes ; Varchar2 (30) ;() ; ; Uppercase ? :No ;
40	HTML_LABEL	Display label	Optional ? :Yes ; Varchar2 (100) ;() ; ; Uppercase ? :No ;

Table Definition

Container : RetailServer11.1 Version :

Table Name : BCI_GUI_OBJECT_VALUES Alias :
Display Title :

Comment : Data set values associated with GUI objects

Volumes

Start Rows : End Rows :

Storage

Index-organized ? No

Column Summary

<u>Col.Seq.</u>	<u>Column</u>	<u>Nulls ?</u>	<u>Type</u>
10	DATA_SET_ID	NOT NULL	NUMBER ()
20	DETAIL_ID	NOT NULL	NUMBER ()
30	FREEFORM	NULL	VARCHAR2 (300)
40	READ_ONLY	NULL	VARCHAR2 (1)

Primary Key

<u>Name</u>	<u>Column</u>
PK_BCI_GUIOV	DATA_SET_ID DETAIL_ID

Foreign Keys

BCI_GOV_FK1

DATA_SET_ID	references	BCI_DATA_SETS.DATA_SET_ID
Transferable ?	Yes	Update Rule : Restricted
Mandatory ?	Yes	Delete Rule : Restricted

BCI_GOV_FK2

DETAIL_ID	references	BCI_GUI_OBJECT_DETAIL.DETAIL_ID
Transferable ?	Yes	Update Rule : Restricted
Mandatory ?	Yes	Delete Rule : Restricted

Column Detail

10	DATA_SET_ID	Data set reference
		Optional ? :No ; Number () ; () ; ; Uppercase ? :No ;
20	DETAIL_ID	Reference to details table
		Optional ? :No ; Number () ; () ; ; Uppercase ? :No ;
30	FREEFORM	

Table Definition

Container : RetailServer11.1 Version :

Column Detail

Free form object value

Optional ? :Yes ; Varchar2 (300) ;() ; ; Uppercase ? :No ;

40 READ_ONLY

Read only flag (Y = read only)

Optional ? :Yes ; Varchar2 (1) ;() ; ; Uppercase ? :No ;

Table Definition

Container : RetailServer11.1 Version :

Table Name : BCI_MANUAL_PURGE Alias :
Display Title :

Comment : Manual purge parameters

Volumes

Start Rows : End Rows :

Storage

Index-organized ? No

Column Summary

<u>Col.Seq.</u>	<u>Column</u>	<u>Nulls ?</u>	<u>Type</u>
10	PURGE_ID	NOT NULL	NUMBER ()
20	TYPE_ID	NOT NULL	VARCHAR2 (2)

Column Detail

10 PURGE_ID
Purge parameter (eg enterprise ID)
Optional ? :No ; Number () ;() ; ; Uppercase ? :No ;

20 TYPE_ID
Purge type (E = enterprise)
Optional ? :No ; Varchar2 (2) ;() ; ; Uppercase ? :No ;

Table Definition

Container : RetailServer11.1 Version :

Table Name : BCI_STEP_CONTEXT_VALUES Alias :
Display Title :

Comment : Parameters & values associated with data stream steps

Volumes

Start Rows : End Rows :

Storage

Index-organized ? No

Column Summary

<u>Col.Seq.</u>	<u>Column</u>	<u>Nulls ?</u>	<u>Type</u>
10	STEP_CONTEXT_VALUES_ID	NOT NULL	NUMBER ()
20	CONTEXT_NAME	NOT NULL	VARCHAR2 (100)
30	CONTEXT_VALUE	NULL	VARCHAR2 (300)
40	DESCRIPTION	NULL	VARCHAR2 (300)

Primary Key

<u>Name</u>	<u>Column</u>
PK_BCI_SCV	STEP_CONTEXT_VALUES_ID CONTEXT_NAME

Column Detail

10	STEP_CONTEXT_VALUES_ID	Unique ID	Optional ? :No ; Number () ;() ; ; Uppercase ? :No ;
20	CONTEXT_NAME	Lookup name	Optional ? :No ; Varchar2 (100) ;() ; ; Uppercase ? :No ;
30	CONTEXT_VALUE	Value	Optional ? :Yes ; Varchar2 (300) ;() ; ; Uppercase ? :No ;
40	DESCRIPTION	Descriptive text	Optional ? :Yes ; Varchar2 (300) ;() ; ; Uppercase ? :No ;

Table Definition

Container : RetailServer11.1 Version :

Table Name : BCI_STEP_STATUSES Alias :
Display Title :

Comment : Status of steps by data set

Volumes

Start Rows : End Rows :

Storage

Index-organized ? No

Column Summary

<u>Col.Seq.</u>	<u>Column</u>	<u>Nulls ?</u>	<u>Type</u>
10	DATA_SET_ID	NOT NULL	NUMBER ()
20	DATA_STREAM_STEP_ID	NOT NULL	NUMBER ()
30	START_DATE	NULL	DATE
40	END_DATE	NULL	DATE
50	ERROR_FILE_NAME	NULL	VARCHAR2 (300)
60	ERROR_MESSAGE	NULL	VARCHAR2 (300)
70	STEP_STATUS	NULL	VARCHAR2 (1)

Primary Key

<u>Name</u>	<u>Column</u>
PK_BCI_STEPST	DATA_SET_ID DATA_STREAM_STEP_ID

Foreign Keys

BCI_SS_FK1

DATA_STREAM_STEP_ID references
BCI_DATA_STREAM_STEPS.DATA_STREAM_STEP_ID
Transferable ? Yes Update Rule : Restricted
Mandatory ? Yes Delete Rule : Restricted

Column Detail

10 DATA_SET_ID
Data set reference
Optional ? :No ; Number () ;() ; ; Uppercase ? :No ;

20 DATA_STREAM_STEP_ID
Data stream step reference
Optional ? :No ; Number () ;() ; ; Uppercase ? :No ;

30 START_DATE
Step start

Table Definition

Container : RetailServer11.1 Version :

Column Detail

```
Optional ? :Yes ; Date ;() ; ; Uppercase ? :No ;
40  END_DATE
    Step end
Optional ? :Yes ; Date ;() ; ; Uppercase ? :No ;
50  ERROR_FILE_NAME
    Name of error file if any
Optional ? :Yes ; Varchar2 (300) ;() ; ; Uppercase ? :No ;
60  ERROR_MESSAGE
    Error message if any
Optional ? :Yes ; Varchar2 (300) ;() ; ; Uppercase ? :No ;
70  STEP_STATUS
    Status
Optional ? :Yes ; Varchar2 (1) ;() ; ; Uppercase ? :No ;
```

Table Definition

Container : RetailServer11.1 Version :

Table Name : CONFIGURATION Alias :
Display Title :

Comment : General configuration parameters

Volumes

Start Rows : End Rows :

Storage

Index-organized ? No

Column Summary

<u>Col.Seq.</u>	<u>Column</u>	<u>Nulls ?</u>	<u>Type</u>
10	PARAMETER	NOT NULL	VARCHAR2 (50)
20	SETTING	NULL	VARCHAR2 (255)
30	DESCRIPTION	NULL	VARCHAR2 (255)
40	INT_VALUE	NULL	NUMBER ()
50	ENTERPRISE_ID	NOT NULL	NUMBER ()

Primary Key

<u>Name</u>	<u>Column</u>
PK_CONFIGURATION	PARAMETER ENTERPRISE_ID

Column Detail

10	PARAMETER	Parameter name Optional ? :No ; Varchar2 (50) ;() ; ; Uppercase ? :No ;
20	SETTING	Value Optional ? :Yes ; Varchar2 (255) ;() ; ; Uppercase ? :No ;
30	DESCRIPTION	helpful text for sys admin Optional ? :Yes ; Varchar2 (255) ;() ; ; Uppercase ? :No ;
40	INT_VALUE	Integer value or null Optional ? :Yes ; Number () ;() ; ; Uppercase ? :No ; Default Value :0 ;
50	ENTERPRISE_ID	ID of owning enterprise Optional ? :No ; Number () ;() ; ; Uppercase ? :No ; Default Value :0 ;

Table Definition

Container : RetailServer11.1 Version :

Table Name : COUNTRIES Alias :
Display Title :

Comment : Global countries list

Volumes

Start Rows : End Rows :

Storage

Index-organized ? No

Column Summary

<u>Col.Seq.</u>	<u>Column</u>	<u>Nulls ?</u>	<u>Type</u>
10	COUNTRYID	NOT NULL	NUMBER ()
20	COUNTRYNAME	NULL	VARCHAR2 (50)
30	DIALCODE	NULL	VARCHAR2 (10)
40	ACTIVECOUNTRY	NULL	NUMBER ()
50	COUNTRYCODE	NULL	VARCHAR2 (8)
60	CURRENCYCODE	NULL	VARCHAR2 (8)
70	CURRENCYUNIT	NULL	VARCHAR2 (16)
80	ENTERPRISE_ID	NULL	NUMBER ()

Primary Key

<u>Name</u>	<u>Column</u>
PK_COUNTRIES	COUNTRYID

Index Summary

<u>Name</u>	<u>Seq.</u>	<u>Column</u>	<u>Index Type</u>
CNTRY_I1	1	ENTERPRISE_ID	NOT UNIQUE

Column Detail

10	COUNTRYID	Unique ID Optional ? :No ; Number () ; () ; ; Uppercase ? :No ; Default Value :0 ;
20	COUNTRYNAME	Name Optional ? :Yes ; Varchar2 (50) ; () ; ; Uppercase ? :No ;
30	DIALCODE	Dial code, may not be used yet. Optional ? :Yes ; Varchar2 (10) ; () ; ; Uppercase ? :No ;
40	ACTIVECOUNTRY	

Table Definition

Container : RetailServer11.1 Version :

Column Detail

If zero, does not appear in choices

Optional ? :Yes ; Number () ; () ; ; Uppercase ? :No ; Default Value :0 ;

50 COUNTRYCODE

Country code

Optional ? :Yes ; Varchar2 (8) ; () ; ; Uppercase ? :No ;

60 CURRENCYCODE

Country currency code (not used)

Optional ? :Yes ; Varchar2 (8) ; () ; ; Uppercase ? :No ;

70 CURRENCYUNIT

Country currenty unit (not used)

Optional ? :Yes ; Varchar2 (16) ; () ; ; Uppercase ? :No ;

80 ENTERPRISE_ID

ID of owning enterprise

Optional ? :Yes ; Number () ; () ; ; Uppercase ? :No ; Default Value :0 ;

Table Definition

Container : RetailServer11.1 Version :

Table Name : CRITICALPATHS Alias :
Display Title :

Comment : Webtrack templates

Volumes

Start Rows : End Rows :

Storage

Index-organized ? No

Column Summary

<u>Col.Seq.</u>	<u>Column</u>	<u>Nulls ?</u>	<u>Type</u>
10	PATHID	NOT NULL	NUMBER ()
20	PATHDESCRIPTION	NULL	VARCHAR2 (128)
30	BUYERID	NULL	NUMBER ()
40	PUBLISHERID	NULL	NUMBER ()
50	DEPARTMENTID	NULL	NUMBER ()
60	AVAILDATE	NULL	NUMBER ()
70	ONSALEDATE	NULL	NUMBER ()
80	STATE	NULL	NUMBER ()
90	PROTECTION	NULL	NUMBER ()
100	QUANTITY	NULL	NUMBER ()
110	COMMITQUANTITY	NULL	NUMBER ()
120	ACTUALQUANTITY	NULL	NUMBER ()
130	ACTUALCOMMENT	NULL	VARCHAR2 (64)
140	BUYERCOMMENT	NULL	VARCHAR2 (64)
150	SEASONID	NULL	NUMBER ()
160	ORDERNUMBER	NULL	VARCHAR2 (50)
170	STYLENUMBER	NULL	VARCHAR2 (50)
180	OPTIONNUMBER	NULL	VARCHAR2 (50)
190	SUPPLIERID	NULL	NUMBER ()
200	ACCOUNTID	NULL	NUMBER ()
210	CREATIONDATE	NULL	NUMBER ()
220	COMMITDATE	NULL	NUMBER ()
230	PUBLISHDATE	NULL	NUMBER ()
240	FACTORYID	NULL	NUMBER ()
250	COUNTRYID	NULL	NUMBER ()
260	PRODUCTID	NULL	NUMBER ()
270	COLOURID	NULL	NUMBER ()
280	SUPPLIERREFERENCE	NULL	VARCHAR2 (50)
290	FIRSTNOTDONEID	NULL	NUMBER ()
300	FIRSTNOTDONEDATE	NULL	NUMBER ()

Table Definition

Container : RetailServer11.1 Version :

<u>Col. Seq.</u>	<u>Column</u>	<u>Nulls ?</u>	<u>Type</u>
310	FIRSTNOTDONEDESC	NULL	VARCHAR2 (255)
320	ALERT	NULL	NUMBER ()
330	AVAILPLAN	NULL	NUMBER ()
340	AVAILFORECAST	NULL	NUMBER ()
350	SUPPLIERDIARY	NULL	VARCHAR2 (2000)
360	FIRSTNOTDONENAMEID	NULL	NUMBER ()
370	PATHVALUE	NULL	NUMBER ()
380	TECHNOLOGISTID	NULL	NUMBER ()
390	PHASEID	NULL	NUMBER ()
400	PARENTID	NULL	NUMBER ()
410	ENTERPRISE_ID	NULL	NUMBER ()

Primary Key

<u>Name</u>	<u>Column</u>
PK_CRITICALPATHS	PATHID

Index Summary

<u>Name</u>	<u>Seq.</u>	<u>Column</u>	<u>Index Type</u>
CP_I1	1	BUYERID	NOT UNIQUE
CP_I2	1	ENTERPRISE_ID	NOT UNIQUE

Column Detail

10	PATHID	Optional ? :No ; Number () ; () ; ; Uppercase ? :No ; Default Value :0 ;
20	PATHDESCRIPTION	textual description, Path added to name of field to distinguish from field in events table Optional ? :Yes ; Varchar2 (128) ; () ; ; Uppercase ? :No ;
30	BUYERID	Optional ? :Yes ; Number () ; () ; ; Uppercase ? :No ; Default Value :0 ;
40	PUBLISHERID	Buyer who can publish Optional ? :Yes ; Number () ; () ; ; Uppercase ? :No ; Default Value :0 ;
50	DEPARTMENTID	Department of drafter Optional ? :Yes ; Number () ; () ; ; Uppercase ? :No ; Default Value :0 ;
60	AVAILDATE	

Table Definition

Container : RetailServer11.1 Version :

Column Detail

Initial Availability Date
Optional ? :Yes ; Number () ;() ; ; Uppercase ? :No ; Default Value :0 ;
70 ONSALEDATE
Optional ? :Yes ; Number () ;() ; ; Uppercase ? :No ; Default Value :0 ;
80 STATE
0 = template, 1 = draft
Optional ? :Yes ; Number () ;() ; ; Uppercase ? :No ; Default Value :0 ;
90 PROTECTION
0 = can be deleted, 1 = no delete allowed
Optional ? :Yes ; Number () ;() ; ; Uppercase ? :No ; Default Value :0 ;
100 QUANTITY
Plan Quantity
Optional ? :Yes ; Number () ;() ; ; Uppercase ? :No ; Default Value :0 ;
110 COMMITQUANTITY
Quantity committed by supplier
Optional ? :Yes ; Number () ;() ; ; Uppercase ? :No ; Default Value :0 ;
120 ACTUALQUANTITY
Actual/forecast quantity
Optional ? :Yes ; Number () ;() ; ; Uppercase ? :No ; Default Value :0 ;
130 ACTUALCOMMENT
Suppliers explanation for quantity slip
Optional ? :Yes ; Varchar2 (64) ;() ; ; Uppercase ? :No ;
140 BUYERCOMMENT
Buyer's comment on quantity change
Optional ? :Yes ; Varchar2 (64) ;() ; ; Uppercase ? :No ;
150 SEASONID
Season and phase
Optional ? :Yes ; Number () ;() ; ; Uppercase ? :No ; Default Value :0 ;
160 ORDERNUMBER
Further descriptive information for path
Optional ? :Yes ; Varchar2 (50) ;() ; ; Uppercase ? :No ;
170 STYLENUMBER
Optional ? :Yes ; Varchar2 (50) ;() ; ; Uppercase ? :No ;
180 OPTIONNUMBER
Optional ? :Yes ; Varchar2 (50) ;() ; ; Uppercase ? :No ;
190 SUPPLIERID
Default supplier as entered on creation form
Optional ? :Yes ; Number () ;() ; ; Uppercase ? :No ; Default Value :0 ;
200 ACCOUNTID

Table Definition

Container : RetailServer11.1 Version :

Column Detail

Account manager for path
Optional ? :Yes ; Number () ; () ; ; Uppercase ? :No ; Default Value :0 ;
210 CREATIONDATE
Time of path creation
Optional ? :Yes ; Number () ; () ; ; Uppercase ? :No ; Default Value :0 ;
220 COMMITDATE
Date committed by supplier
Optional ? :Yes ; Number () ; () ; ; Uppercase ? :No ; Default Value :0 ;
230 PUBLISHDATE
Date published by buyer
Optional ? :Yes ; Number () ; () ; ; Uppercase ? :No ; Default Value :0 ;
240 FACTORYID
Factory of origin
Optional ? :Yes ; Number () ; () ; ; Uppercase ? :No ; Default Value :0 ;
250 COUNTRYID
Country, may be that of factory
Optional ? :Yes ; Number () ; () ; ; Uppercase ? :No ; Default Value :0 ;
260 PRODUCTID
Associated product
Optional ? :Yes ; Number () ; () ; ; Uppercase ? :No ; Default Value :0 ;
270 COLOURID
Product colour
Optional ? :Yes ; Number () ; () ; ; Uppercase ? :No ; Default Value :0 ;
280 SUPPLIERREFERENCE
Optional supplier reference
Optional ? :Yes ; Varchar2 (50) ; () ; ; Uppercase ? :No ;
290 FIRSTNOTDONEID
ID of first event not done, zero if all done.
Optional ? :Yes ; Number () ; () ; ; Uppercase ? :No ; Default Value :0 ;
300 FIRSTNOTDONEDATE
Forecast date of first not done event, active paths only
Optional ? :Yes ; Number () ; () ; ; Uppercase ? :No ; Default Value :0 ;
310 FIRSTNOTDONEDESC
Description of first event not done
Optional ? :Yes ; Varchar2 (255) ; () ; ; Uppercase ? :No ;
320 ALERT
Alert Status 0 = green, 1 = amber, 2 = red.
Optional ? :Yes ; Number () ; () ; ; Uppercase ? :No ; Default Value :0 ;
330 AVAILPLAN

Table Definition

Container : RetailServer11.1 Version :

Column Detail

Planned initial availability

Optional ? :Yes ; Number () ; () ; ; Uppercase ? :No ; Default Value :0 ;

340 AVAILFORECAST

Forecast initial availability

Optional ? :Yes ; Number () ; () ; ; Uppercase ? :No ; Default Value :0 ;

350 SUPPLIERDIARY

Diary of supplier comments, date stamped.

Optional ? :Yes ; Varchar2 (2000) ; () ; ; Uppercase ? :No ;

360 FIRSTNOTDONENAMEID

Event name id of first not done event

Optional ? :Yes ; Number () ; () ; ; Uppercase ? :No ; Default Value :0 ;

370 PATHVALUE

Total path value in pounds (quantity * product unit value)

Optional ? :Yes ; Number () ; () ; ; Uppercase ? :No ; Default Value :0 ;

380 TECHNOLOGISTID

Technologist monitoring the path (in event ownership mode)

Optional ? :Yes ; Number () ; () ; ; Uppercase ? :No ; Default Value :0 ;

390 PHASEID

New phase id for new portfolio seasons

Optional ? :Yes ; Number () ; () ; ; Uppercase ? :No ; Default Value :0 ;

400 PARENTID

Reference to folderinfo record of parent; zero if in root folder

Optional ? :Yes ; Number () ; () ; ; Uppercase ? :No ; Default Value :0 ;

410 ENTERPRISE_ID

Optional ? :Yes ; Number () ; () ; ; Uppercase ? :No ; Default Value :0 ;

Table Definition

Container : RetailServer11.1 Version :

Table Name : DEPARTMENTS Alias :
Display Title :

Comment : Departments

Volumes

Start Rows : End Rows :

Storage

Index-organized ? No

Column Summary

<u>Col.Seq.</u>	<u>Column</u>	<u>Nulls ?</u>	<u>Type</u>
10	DEPARTMENTID	NOT NULL	NUMBER ()
20	DEPARTMENTNAME	NULL	VARCHAR2 (50)
30	DEPARTMENTNUMBER	NULL	VARCHAR2 (8)
40	DIVISIONID	NULL	NUMBER ()
50	ENTERPRISE_ID	NULL	NUMBER ()

Primary Key

<u>Name</u>	<u>Column</u>
PK_DEPARTMENTS	DEPARTMENTID

Index Summary

<u>Name</u>	<u>Seq.</u>	<u>Column</u>	<u>Index Type</u>
DEPTS_I1	1	ENTERPRISE_ID	NOT UNIQUE

Column Detail

10	DEPARTMENTID	Unique ID Optional ? :No ; Number () ;() ; ; Uppercase ? :No ; Default Value :0 ;
20	DEPARTMENTNAME	Name of department Optional ? :Yes ; Varchar2 (50) ;() ; ; Uppercase ? :No ;
30	DEPARTMENTNUMBER	Number/code of department Optional ? :Yes ; Varchar2 (8) ;() ; ; Uppercase ? :No ;
40	DIVISIONID	ID of owning division Optional ? :Yes ; Number () ;() ; ; Uppercase ? :No ; Default Value :0 ;
50	ENTERPRISE_ID	

Table Definition

Container : RetailServer11.1 Version :

Column Detail

ID of owning enterprise

Optional ? :Yes ; Number () ; () ; ; Uppercase ? :No ; Default Value :0 ;

Table Definition

Container : RetailServer11.1 Version :

Table Name : DES_MATERIALS Alias :
Display Title :

Comment : Design materials

Volumes

Start Rows : End Rows :

Storage

Index-organized ? No

Column Summary

<u>Col.Seq.</u>	<u>Column</u>	<u>Nulls ?</u>	<u>Type</u>
10	MATERIAL_ID	NOT NULL	NUMBER ()
20	MATERIAL_TYPE	NULL	NUMBER ()
30	PART_CODE	NULL	VARCHAR2 (32)
40	DESCRIPTION	NULL	VARCHAR2 (2000)
50	SPEC_CODE	NULL	VARCHAR2 (32)
60	MEASURE_UNIT	NULL	VARCHAR2 (16)
70	SUPPLIER_PRICE	NULL	FLOAT (126)
80	PURCHASE_PRICE	NULL	FLOAT (126)
90	LEAD_TIME	NULL	NUMBER ()
100	SUPPLIER_CODE	NULL	VARCHAR2 (32)
110	COLOUR_REF	NULL	VARCHAR2 (32)
120	CARE_INSTRUCTIONS	NULL	VARCHAR2 (2000)
130	CONFIRMED	NULL	VARCHAR2 (8)
140	WIDTH	NULL	FLOAT (126)
150	CURRENCY_NAME	NULL	VARCHAR2 (32)
160	SPECIAL_INSTRUCTIONS	NULL	VARCHAR2 (2000)
170	FABRIC_WIDTH1	NULL	FLOAT (126)
180	FABRIC_WIDTH2	NULL	FLOAT (126)
190	WEAVE_REF	NULL	VARCHAR2 (32)
200	PRINT_REF	NULL	VARCHAR2 (32)
210	WEIGHT	NULL	FLOAT (126)
220	ENTERPRISE_ID	NULL	NUMBER ()

Primary Key

<u>Name</u>	<u>Column</u>
PK_DES_MATERIALS	MATERIAL_ID

Column Detail

10 MATERIAL_ID

Table Definition

Container : RetailServer11.1 Version :

Index Summary

<u>Name</u>	<u>Seq.</u>	<u>Column</u>	<u>Index Type</u>
DES_MAT_I1	1	ENTERPRISE_ID	NOT UNIQUE

Column Detail

```

Optional ? :No ; Number ( ) ; ( ) ; ; Uppercase ? :No ; Default Value :0 ;
20 MATERIAL_TYPE
Optional ? :Yes ; Number ( ) ; ( ) ; ; Uppercase ? :No ; Default Value :0 ;
30 PART_CODE
Optional ? :Yes ; Varchar2 (32) ; ( ) ; ; Uppercase ? :No ;
40 DESCRIPTION
Optional ? :Yes ; Varchar2 (2000) ; ( ) ; ; Uppercase ? :No ;
50 SPEC_CODE
Optional ? :Yes ; Varchar2 (32) ; ( ) ; ; Uppercase ? :No ;
60 MEASURE_UNIT
Optional ? :Yes ; Varchar2 (16) ; ( ) ; ; Uppercase ? :No ;
70 SUPPLIER_PRICE
Optional ? :Yes ; Float (126) ; ( ) ; ; Uppercase ? :No ; Default Value :0 ;
80 PURCHASE_PRICE
Optional ? :Yes ; Float (126) ; ( ) ; ; Uppercase ? :No ; Default Value :0 ;
90 LEAD_TIME
Optional ? :Yes ; Number ( ) ; ( ) ; ; Uppercase ? :No ; Default Value :0 ;
100 SUPPLIER_CODE
Optional ? :Yes ; Varchar2 (32) ; ( ) ; ; Uppercase ? :No ;
110 COLOUR_REF
Optional ? :Yes ; Varchar2 (32) ; ( ) ; ; Uppercase ? :No ;
120 CARE_INSTRUCTIONS
Optional ? :Yes ; Varchar2 (2000) ; ( ) ; ; Uppercase ? :No ;
130 CONFIRMED
Optional ? :Yes ; Varchar2 (8) ; ( ) ; ; Uppercase ? :No ;
140 WIDTH
Optional ? :Yes ; Float (126) ; ( ) ; ; Uppercase ? :No ; Default Value :0 ;
150 CURRENCY_NAME
Renamed to avoid reserved word
Optional ? :Yes ; Varchar2 (32) ; ( ) ; ; Uppercase ? :No ;
160 SPECIAL_INSTRUCTIONS
Optional ? :Yes ; Varchar2 (2000) ; ( ) ; ; Uppercase ? :No ;

```

Table Definition

Container : RetailServer11.1 Version :

Column Detail

170 FABRIC_WIDTH1
Optional ? :Yes ; Float (126) ;() ; ; Uppercase ? :No ; Default Value :0 ;

180 FABRIC_WIDTH2
Optional ? :Yes ; Float (126) ;() ; ; Uppercase ? :No ; Default Value :0 ;

190 WEAVE_REF
Optional ? :Yes ; Varchar2 (32) ;() ; ; Uppercase ? :No ;

200 PRINT_REF
Optional ? :Yes ; Varchar2 (32) ;() ; ; Uppercase ? :No ;

210 WEIGHT
Optional ? :Yes ; Float (126) ;() ; ; Uppercase ? :No ; Default Value :0 ;

220 ENTERPRISE_ID
Optional ? :Yes ; Number () ;() ; ; Uppercase ? :No ; Default Value :0 ;

Table Definition

Container : RetailServer11.1 Version :

Table Name : DES_STYLELOG Alias :
Display Title :

Comment : Design style change log entries

Volumes

Start Rows : End Rows :

Storage

Index-organized ? No

Column Summary

<u>Col.Seq.</u>	<u>Column</u>	<u>Nulls ?</u>	<u>Type</u>
10	STYLELOG_ID	NOT NULL	NUMBER ()
20	STYLE_ID	NULL	NUMBER ()
30	USER_ID	NULL	NUMBER ()
40	LOG_DATE	NULL	NUMBER ()
50	LOG_COMMENT	NULL	VARCHAR2 (2000)
60	LOG_OBJECT	NULL	LONG RAW ()
70	ENTERPRISE_ID	NULL	NUMBER ()

Primary Key

<u>Name</u>	<u>Column</u>
PK_DES_STYLELOG	STYLELOG_ID

Index Summary

<u>Name</u>	<u>Seq.</u>	<u>Column</u>	<u>Index Type</u>
DESLOG_I1	1	STYLE_ID	NOT UNIQUE
DESLOG_I2	1	ENTERPRISE_ID	NOT UNIQUE

Column Detail

10	STYLELOG_ID	Optional ? :No ; Number () ;() ; ; Uppercase ? :No ; Default Value :0 ;
20	STYLE_ID	Optional ? :Yes ; Number () ;() ; ; Uppercase ? :No ; Default Value :0 ;
30	USER_ID	Optional ? :Yes ; Number () ;() ; ; Uppercase ? :No ; Default Value :0 ;
40	LOG_DATE	Optional ? :Yes ; Number () ;() ; ; Uppercase ? :No ; Default Value :0 ;
50	LOG_COMMENT	

Table Definition

Container : RetailServer11.1 Version :

Column Detail

Optional ? :Yes ; Varchar2 (2000) ;() ; ; Uppercase ? :No ;

60 LOG_OBJECT

Optional ? :Yes ; Long Raw () ;() ; ; Uppercase ? :No ;

70 ENTERPRISE_ID

Optional ? :Yes ; Number () ;() ; ; Uppercase ? :No ; Default Value :0 ;

Table Definition

Container : RetailServer11.1 Version :

Table Name : DES_STYLENOTES Alias :
Display Title :

Comment : Design style comments

Volumes

Start Rows : End Rows :

Storage

Index-organized ? No

Column Summary

<u>Col.Seq.</u>	<u>Column</u>	<u>Nulls ?</u>	<u>Type</u>
10	STYLENOTE_ID	NOT NULL	NUMBER ()
20	STYLE_ID	NULL	NUMBER ()
30	USER_ID	NULL	NUMBER ()
40	NOTE_DATE	NULL	NUMBER ()
50	ENTERPRISE_ID	NULL	NUMBER ()
60	NOTE_OBJECT	NULL	LONG RAW ()

Primary Key

<u>Name</u>	<u>Column</u>
PK_DES_STYLENOTES	STYLENOTE_ID

Index Summary

<u>Name</u>	<u>Seq.</u>	<u>Column</u>	<u>Index Type</u>
DES_SN_I1	1	STYLE_ID	NOT UNIQUE
DES_SN_I2	1	ENTERPRISE_ID	NOT UNIQUE
DES_SN_I3	1	USER_ID	NOT UNIQUE

Column Detail

10	STYLENOTE_ID	Usual key Optional ? :No ; Number () ;() ; ; Uppercase ? :No ; Default Value :0 ;
20	STYLE_ID	Owning style Optional ? :Yes ; Number () ;() ; ; Uppercase ? :No ; Default Value :0 ;
30	USER_ID	Identifies user in ent_users table Optional ? :Yes ; Number () ;() ; ; Uppercase ? :No ; Default Value :0 ;

Table Definition

Container : RetailServer11.1 Version :

Column Detail

```
40  NOTE_DATE
    Date/time of note entry
    Optional ? :Yes ; Number ( ) ;( ) ; ; Uppercase ? :No ; Default Value :0 ;

50  ENTERPRISE_ID
    Owning enterprise
    Optional ? :Yes ; Number ( ) ;( ) ; ; Uppercase ? :No ; Default Value :0 ;

60  NOTE_OBJECT
    Style note object
    Optional ? :Yes ; Long Raw ( ) ;( ) ; ; Uppercase ? :No ;
```


Table Definition

Container : RetailServer11.1 Version :

Table Name : DES_STYLES Alias :
Display Title :

Comment : Design styles

Volumes

Start Rows : End Rows :

Storage

Index-organized ? No

Column Summary

<u>Col.Seq.</u>	<u>Column</u>	<u>Nulls ?</u>	<u>Type</u>
10	STYLE_ID	NOT NULL	NUMBER ()
20	SHORT_NAME	NULL	VARCHAR2 (255)
30	LONG_NAME	NULL	VARCHAR2 (255)
40	CREATION_DATE	NULL	NUMBER ()
50	CHANGE_DATE	NULL	NUMBER ()
60	RETAILER_ID	NULL	NUMBER ()
70	R_DEPT_ID	NULL	NUMBER ()
80	R_CLASS_ID	NULL	NUMBER ()
90	R_SUBCLASS_ID	NULL	NUMBER ()
100	R_SEASON_ID	NULL	NUMBER ()
110	R_PHASE_ID	NULL	NUMBER ()
120	R_BUYER_ID	NULL	NUMBER ()
130	R_QUALITY_ID	NULL	NUMBER ()
140	R_DESIGNER_ID	NULL	NUMBER ()
150	R_THEME_ID	NULL	NUMBER ()
160	R_SIZERANGE_ID	NULL	NUMBER ()
170	R_COLOUR_LIST	NULL	VARCHAR2 (2000)
180	R_STYLE_NUMBER	NULL	VARCHAR2 (32)
190	R_PRICE_OPTION	NULL	NUMBER ()
200	R_RETAIL_PRICE	NULL	FLOAT (126)
210	R_VAT_RATE	NULL	FLOAT (126)
220	R_STATE_ID	NULL	NUMBER ()
230	R_STATE_DATE	NULL	NUMBER ()
240	SUPPLIER_ID	NULL	NUMBER ()
250	S_ACCOUNT_ID	NULL	NUMBER ()
260	S_DESIGN_NUMBER	NULL	VARCHAR2 (32)
270	S_DESIGNER_ID	NULL	NUMBER ()
280	S_TECH_ID	NULL	NUMBER ()
290	S_TEAM_ID	NULL	NUMBER ()
300	S_LOCATION_ID	NULL	NUMBER ()

Table Definition

Container : RetailServer11.1 Version :

<u>Col.Seq.</u>	<u>Column</u>	<u>Nulls ?</u>	<u>Type</u>
310	S_COUNTRY_ID	NULL	NUMBER ()
320	S_COST_OPTION	NULL	NUMBER ()
330	S_NET_COST	NULL	FLOAT (126)
340	S_STATE_ID	NULL	NUMBER ()
350	S_STATE_DATE	NULL	NUMBER ()
360	VOLUME	NULL	NUMBER ()
370	VERSION_NUMBER	NULL	VARCHAR2 (8)
380	ORIGINAL_ID	NULL	NUMBER ()
390	PERMISSIONS	NULL	NUMBER ()
400	STATUS_CODE	NULL	VARCHAR2 (16)
410	RANDOM_JUNK	NULL	VARCHAR2 (4000)
420	ENTERPRISE_ID	NULL	NUMBER ()
430	AGENT_ID	NULL	NUMBER ()
440	A_CONTACT_ID	NULL	NUMBER ()
450	MISC_JUNK	NULL	VARCHAR2 (4000)
460	DATA_CHANGE	NULL	VARCHAR2 (1)
470	DOCUMENT_CHANGE	NULL	VARCHAR2 (1)
480	R_FOBCOUNTRY_ID	NULL	NUMBER ()
490	R_FOBLLOCATION_ID	NULL	NUMBER ()
500	EDIT_USER_ID	NULL	NUMBER ()
510	EDIT_ENT_ID	NULL	NUMBER ()
520	CONFIG_NAME	NULL	VARCHAR2 (64)
530	DOEXPORT_DATE	NULL	NUMBER ()
540	LASTNOTE_DATE	NULL	NUMBER ()

Primary Key

<u>Name</u>	<u>Column</u>
PK_DES_STYLES	STYLE_ID

Column Detail

10	STYLE_ID	Optional ? :No ; Number () ; () ; ; Uppercase ? :No ; Default Value :0 ;
20	SHORT_NAME	Short name Optional ? :Yes ; Varchar2 (255) ; () ; ; Uppercase ? :No ;
30	LONG_NAME	Description Optional ? :Yes ; Varchar2 (255) ; () ; ; Uppercase ? :No ;

Table Definition

Container : RetailServer11.1 Version :

Index Summary

<u>Name</u>	<u>Seq.</u>	<u>Column</u>	<u>Index Type</u>
DES_ST_I1	1	ENTERPRISE_ID	NOT UNIQUE
DES_ST_I2	1	RETAILER_ID	NOT UNIQUE
DES_ST_I3	1	SUPPLIER_ID	NOT UNIQUE
DES_ST_I4	1	R_DEPT_ID	NOT UNIQUE
DES_ST_I5	1	R_SEASON_ID	NOT UNIQUE
DES_ST_I6	1	ORIGINAL_ID	NOT UNIQUE
DES_ST_I7	1	AGENT_ID	NOT UNIQUE

Column Detail

```

40  CREATION_DATE
    Optional ? :Yes ; Number () ;() ; ; Uppercase ? :No ; Default Value :0 ;
50  CHANGE_DATE
    Optional ? :Yes ; Number () ;() ; ; Uppercase ? :No ; Default Value :0 ;
60  RETAILER_ID
    Retailer (owns some of the fields)
    Optional ? :Yes ; Number () ;() ; ; Uppercase ? :No ; Default Value :0 ;
70  R_DEPT_ID
    Retailer department
    Optional ? :Yes ; Number () ;() ; ; Uppercase ? :No ; Default Value :0 ;
80  R_CLASS_ID
    Retailer class
    Optional ? :Yes ; Number () ;() ; ; Uppercase ? :No ; Default Value :0 ;
90  R_SUBCLASS_ID
    Retailer subclass
    Optional ? :Yes ; Number () ;() ; ; Uppercase ? :No ; Default Value :0 ;
100 R_SEASON_ID
    Retailer season
    Optional ? :Yes ; Number () ;() ; ; Uppercase ? :No ; Default Value :0 ;
110 R_PHASE_ID
    Optional ? :Yes ; Number () ;() ; ; Uppercase ? :No ; Default Value :0 ;
120 R_BUYER_ID
    Retailer users
    Optional ? :Yes ; Number () ;() ; ; Uppercase ? :No ; Default Value :0 ;
130 R_QUALITY_ID
    Optional ? :Yes ; Number () ;() ; ; Uppercase ? :No ; Default Value :0 ;
140 R_DESIGNER_ID

```

Table Definition

Container : RetailServer11.1 Version :

Column Detail

```

Optional ? :Yes ; Number ( ) ;( ) ; ; Uppercase ? :No ; Default Value :0 ;
150 R_THEME_ID
Retailer theme
Optional ? :Yes ; Number ( ) ;( ) ; ; Uppercase ? :No ; Default Value :0 ;
160 R_SIZERANGE_ID
Retailer size chart id
Optional ? :Yes ; Number ( ) ;( ) ; ; Uppercase ? :No ; Default Value :0 ;
170 R_COLOUR_LIST
List of palette/colour ids
Optional ? :Yes ; Varchar2 (2000) ;( ) ; ; Uppercase ? :No ;
180 R_STYLE_NUMBER
Retailer style #
Optional ? :Yes ; Varchar2 (32) ;( ) ; ; Uppercase ? :No ;
190 R_PRICE_OPTION
Optional ? :Yes ; Number ( ) ;( ) ; ; Uppercase ? :No ; Default Value :0 ;
200 R_RETAIL_PRICE
Average retail price
Optional ? :Yes ; Float (126) ;( ) ; ; Uppercase ? :No ; Default Value :0 ;
210 R_VAT_RATE
VAT rate
Optional ? :Yes ; Float (126) ;( ) ; ; Uppercase ? :No ; Default Value :0 ;
220 R_STATE_ID
Current retailer status
Optional ? :Yes ; Number ( ) ;( ) ; ; Uppercase ? :No ; Default Value :0 ;
230 R_STATE_DATE
Retailer status change date
Optional ? :Yes ; Number ( ) ;( ) ; ; Uppercase ? :No ; Default Value :0 ;
240 SUPPLIER_ID
Supplier (owns other fields)
Optional ? :Yes ; Number ( ) ;( ) ; ; Uppercase ? :No ; Default Value :0 ;
250 S_ACCOUNT_ID
Supplier users
Optional ? :Yes ; Number ( ) ;( ) ; ; Uppercase ? :No ; Default Value :0 ;
260 S_DESIGN_NUMBER
Optional ? :Yes ; Varchar2 (32) ;( ) ; ; Uppercase ? :No ;
270 S_DESIGNER_ID
Optional ? :Yes ; Number ( ) ;( ) ; ; Uppercase ? :No ; Default Value :0 ;
280 S_TECH_ID

```

Table Definition

Container : RetailServer11.1 Version :

Column Detail

```

Optional ? :Yes ; Number ( ) ;( ) ; ; Uppercase ? :No ; Default Value :0 ;
290 S_TEAM_ID
Supplier team (what on earth? Initially department)
Optional ? :Yes ; Number ( ) ;( ) ; ; Uppercase ? :No ; Default Value :0 ;
300 S_LOCATION_ID
Supplier factory, etc
Optional ? :Yes ; Number ( ) ;( ) ; ; Uppercase ? :No ; Default Value :0 ;
310 S_COUNTRY_ID
Supplier country
Optional ? :Yes ; Number ( ) ;( ) ; ; Uppercase ? :No ; Default Value :0 ;
320 S_COST_OPTION
Optional ? :Yes ; Number ( ) ;( ) ; ; Uppercase ? :No ; Default Value :0 ;
330 S_NET_COST
Item cost from supplier
Optional ? :Yes ; Float (126) ;( ) ; ; Uppercase ? :No ; Default Value :0 ;
340 S_STATE_ID
Current supplier status
Optional ? :Yes ; Number ( ) ;( ) ; ; Uppercase ? :No ; Default Value :0 ;
350 S_STATE_DATE
Supplier status change date
Optional ? :Yes ; Number ( ) ;( ) ; ; Uppercase ? :No ; Default Value :0 ;
360 VOLUME
Total volume, entered manually or via pricing sheet
Optional ? :Yes ; Number ( ) ;( ) ; ; Uppercase ? :No ; Default Value :0 ;
370 VERSION_NUMBER
Version (A, etc)
Optional ? :Yes ; Varchar2 (8) ;( ) ; ; Uppercase ? :No ;
380 ORIGINAL_ID
ID of first style version
Optional ? :Yes ; Number ( ) ;( ) ; ; Uppercase ? :No ; Default Value :0 ;
390 PERMISSIONS
Permissions bits (four bits per category)
Optional ? :Yes ; Number ( ) ;( ) ; ; Uppercase ? :No ; Default Value :0 ;
400 STATUS_CODE
Some sort of nightmare status code
Optional ? :Yes ; Varchar2 (16) ;( ) ; ; Uppercase ? :No ;
410 RANDOM_JUNK
Random other stuff at the whim of the spec (packed panel)
Optional ? :Yes ; Varchar2 (4000) ;( ) ; ; Uppercase ? :No ;

```

Table Definition

Container : RetailServer11.1 Version :

Column Detail

420 ENTERPRISE_ID
ID of creator?
Optional ? :Yes ; Number () ; () ; ; Uppercase ? :No ; Default Value :0 ;

430 AGENT_ID
PLX agent identifier
Optional ? :Yes ; Number () ; () ; ; Uppercase ? :No ; Default Value :0 ;

440 A_CONTACT_ID
Agent contact id
Optional ? :Yes ; Number () ; () ; ; Uppercase ? :No ; Default Value :0 ;

450 MISC_JUNK
Packed misc junk fields
Optional ? :Yes ; Varchar2 (4000) ; () ; ; Uppercase ? :No ;

460 DATA_CHANGE
Set to non null on data change
Optional ? :Yes ; Varchar2 (1) ; () ; ; Uppercase ? :No ;

470 DOCUMENT_CHANGE
Set to non null on document change
Optional ? :Yes ; Varchar2 (1) ; () ; ; Uppercase ? :No ;

480 R_FOBCOUNTRY_ID
FOB country ID (retailer)
Optional ? :Yes ; Number () ; () ; ; Uppercase ? :No ; Default Value :0 ;

490 R_FOBLLOCATION_ID
FOB location ID (retailer)
Optional ? :Yes ; Number () ; () ; ; Uppercase ? :No ; Default Value :0 ;

500 EDIT_USER_ID
User ID of last edit
Optional ? :Yes ; Number () ; () ; ; Uppercase ? :No ; Default Value :0 ;

510 EDIT_ENT_ID
Enterprise ID of last edit
Optional ? :Yes ; Number () ; () ; ; Uppercase ? :No ; Default Value :0 ;

520 CONFIG_NAME
Name of configuration used when style was created/edited
Optional ? :Yes ; Varchar2 (64) ; () ; ; Uppercase ? :No ;

530 DOCEXPOR_DATE
Date of last document export
Optional ? :Yes ; Number () ; () ; ; Uppercase ? :No ; Default Value :0 ;

540 LASTNOTE_DATE
Date of last note addition
Optional ? :Yes ; Number () ; () ; ; Uppercase ? :No ; Default Value :0 ;

Table Definition

Container : RetailServer11.1 Version :

Table Name : DIVISIONS Alias :
Display Title :

Comment : Divisions

Volumes

Start Rows : End Rows :

Storage

Index-organized ? No

Column Summary

<u>Col.Seq.</u>	<u>Column</u>	<u>Nulls ?</u>	<u>Type</u>
10	DIVISIONID	NOT NULL	NUMBER ()
20	DIVISIONNAME	NULL	VARCHAR2 (50)
30	DIVISIONNUMBER	NULL	VARCHAR2 (50)
40	ENTERPRISE_ID	NULL	NUMBER ()

Primary Key

<u>Name</u>	<u>Column</u>
PK_DIVISIONS	DIVISIONID

Index Summary

<u>Name</u>	<u>Seq.</u>	<u>Column</u>	<u>Index Type</u>
DIVS_I1	1	ENTERPRISE_ID	NOT UNIQUE

Column Detail

10	DIVISIONID	Unique ID Optional ? :No ; Number () ; () ; ; Uppercase ? :No ; Default Value :0 ;
20	DIVISIONNAME	Name of division Optional ? :Yes ; Varchar2 (50) ; () ; ; Uppercase ? :No ;
30	DIVISIONNUMBER	Number/code of division Optional ? :Yes ; Varchar2 (50) ; () ; ; Uppercase ? :No ;
40	ENTERPRISE_ID	ID of owning enterprise Optional ? :Yes ; Number () ; () ; ; Uppercase ? :No ; Default Value :0 ;

Table Definition

Container : RetailServer11.1 Version :

Table Name : ENT_ALTUSERS Alias :
Display Title :Volumes

Start Rows : End Rows :

Storage

Index-organized ? No

Column Summary

<u>Col.Seq.</u>	<u>Column</u>	<u>Nulls ?</u>	<u>Type</u>
10	USER_ID	NOT NULL	NUMBER ()
20	APPCODE	NOT NULL	VARCHAR2 (32)
30	ALTUSER_ID	NOT NULL	NUMBER ()
40	ENTERPRISE_ID	NULL	NUMBER ()

Primary Key

<u>Name</u>	<u>Column</u>
PK_ENT_ALTUSERS	USER_ID APPCODE ALTUSER_ID

Index Summary

<u>Name</u>	<u>Seq.</u>	<u>Column</u>	<u>Index Type</u>
ENT_ALU_I1	1	APPCODE	NOT UNIQUE
ENT_ALU_I2	1	ENTERPRISE_ID	NOT UNIQUE

Column Detail

10	USER_ID	Oringal user ID Optional ? :No ; Number () ;() ; ; Uppercase ? :No ; Default Value :0 ;
20	APPCODE	Application code Optional ? :No ; Varchar2 (32) ;() ; ; Uppercase ? :No ;
30	ALTUSER_ID	ID of alternate user Optional ? :No ; Number () ;() ; ; Uppercase ? :No ; Default Value :0 ;
40	ENTERPRISE_ID	Enterprise of both users

Table Definition

Container : RetailServer11.1 Version :

Column Detail

Optional ? :Yes ; Number () ; () ; ; Uppercase ? :No ; Default Value :0 ;

Table Definition

Container : RetailServer11.1 Version :

Column Detail

20 PARENT_ITEM_KEY
Optional key from parent's subtable. Leave zero if not used
Optional ? :No ; Number () ; () ; ; Uppercase ? :No ; Default Value :0 ;

30 ATTRIBUTE_CLASS
Attribute class. Unique value allocated centrally.
Optional ? :No ; Varchar2 (32) ; () ; ; Uppercase ? :No ;

40 ORDERING
Display ordering
Optional ? :No ; Number () ; () ; ; Uppercase ? :No ; Default Value :0 ;

50 DISPLAY_NAME
Name to display
Optional ? :Yes ; Varchar2 (64) ; () ; ; Uppercase ? :No ;

60 ATTRIBUTE_KEY
Optional application specific key
Optional ? :Yes ; Number () ; () ; ; Uppercase ? :No ; Default Value :0 ;

70 TEXT_VALUE
Text value
Optional ? :Yes ; Varchar2 (255) ; () ; ; Uppercase ? :No ;

80 NUMERIC_VALUE
Numeric equivalent
Optional ? :Yes ; Float (126) ; () ; ; Uppercase ? :No ; Default Value :0 ;

90 FORMAT
Format definition
Optional ? :Yes ; Varchar2 (32) ; () ; ; Uppercase ? :No ;

100 ENTERPRISE_ID
Owning enterprise
Optional ? :Yes ; Number () ; () ; ; Uppercase ? :No ; Default Value :0 ;

Table Definition

Container : RetailServer11.1 Version :

Column Detail

```

10  AUDIT_ID
    Standard primary key
    Optional ? :No ; Number ( ) ; ( ) ; ; Uppercase ? :No ; Default Value :0 ;

20  AUDIT_EVENT
    Event code
    Optional ? :Yes ; Number ( ) ; ( ) ; ; Uppercase ? :No ; Default Value :0 ;

30  AUDIT_WHEN
    timestamp (Java)
    Optional ? :Yes ; Number ( ) ; ( ) ; ; Uppercase ? :No ; Default Value :0 ;

40  AUDIT_TIMESTAMP
    DB representation (for SQL junkies)
    Optional ? :Yes ; Date ; ( ) ; ; Uppercase ? :No ;

50  AUDIT_DETAIL
    Event specific information, may be null
    Optional ? :Yes ; Varchar2 (2000) ; ( ) ; ; Uppercase ? :No ;

60  AUDIT_TARGET
    ID of object updated or created, may be null
    Optional ? :Yes ; Number ( ) ; ( ) ; ; Uppercase ? :No ; Default Value :0 ;

70  AUDIT_TARGET_DETAIL
    More information on what was updated
    Optional ? :Yes ; Varchar2 (128) ; ( ) ; ; Uppercase ? :No ;

80  USER_ID
    User
    Optional ? :Yes ; Number ( ) ; ( ) ; ; Uppercase ? :No ; Default Value :0 ;

90  USER_NAME
    Name (for cases where id not known)
    Optional ? :Yes ; Varchar2 (64) ; ( ) ; ; Uppercase ? :No ;

100 USER_ADDRESS
    IP address (text to cope with IPv6 one day, or even hostnames)
    Optional ? :Yes ; Varchar2 (128) ; ( ) ; ; Uppercase ? :No ;

110 CLEARED
    Set non-zero if event is to be ignored (primarily for bad login counting)
    Optional ? :Yes ; Number ( ) ; ( ) ; ; Uppercase ? :No ; Default Value :0 ;

120 ENTERPRISE_ID
    Enterprise
    Optional ? :Yes ; Number ( ) ; ( ) ; ; Uppercase ? :No ; Default Value :0 ;

```

Table Definition

Container : RetailServer11.1 Version :

Table Name : ENT_EVENTS Alias :
Display Title :

Comment : Webtrack events

Volumes

Start Rows : End Rows :

Storage

Index-organized ? No

Column Summary

<u>Col.Seq.</u>	<u>Column</u>	<u>Nulls ?</u>	<u>Type</u>
10	PATH_ID	NOT NULL	NUMBER ()
20	EVENT_ID	NOT NULL	NUMBER ()
30	EVENT_NAME	NULL	VARCHAR2 (255)
40	EVENT_NAME_ID	NULL	NUMBER ()
50	PATH_OWNER_ID	NULL	NUMBER ()
60	EVENT_ENTERPRISE_ID	NULL	NUMBER ()
70	EVENT_CONTACT_ID	NULL	NUMBER ()
80	PLAN_DATE	NULL	NUMBER ()
90	REVISED_DATE	NULL	NUMBER ()
100	ACTUAL_DATE	NULL	NUMBER ()
110	DONE	NULL	NUMBER ()
120	SERIAL	NULL	NUMBER ()
130	AMBERDAYS	NULL	NUMBER ()
140	REDDAYS	NULL	NUMBER ()
150	REMINDERDAYS	NULL	NUMBER ()
160	AMBER_ALERTED	NULL	NUMBER ()
170	RED_ALERTED	NULL	NUMBER ()
180	REMINDER_SENT	NULL	NUMBER ()
190	ENTERPRISE_ID	NULL	NUMBER ()
200	ENT_EVENT_ID	NOT NULL	NUMBER ()
210	EVENT_DEPENDENCIES	NULL	VARCHAR2 (2000)
220	NST_PATH_ID	NULL	NUMBER ()
230	INITIAL_DATE	NULL	NUMBER ()
240	EVENT_FLAGS	NULL	NUMBER ()

Primary Key

<u>Name</u>	<u>Column</u>
PK_ENT_EVENTS	PATH_ID EVENT_ID

Table Definition

Container : RetailServer11.1 Version :

Index Summary

<u>Name</u>	<u>Seq.</u>	<u>Column</u>	<u>Index Type</u>
ENT_EV_I1	1	PATH_ID	NOT UNIQUE
ENT_EV_I2	1	EVENT_ENTERPRISE_ID	NOT UNIQUE
ENT_EV_I3	1	EVENT_CONTACT_ID	NOT UNIQUE
ENT_EV_I4	1	ENTERPRISE_ID	NOT UNIQUE

Column Detail

10 PATH_ID
 refers to entry in critical paths
 Optional ? :No ; Number () ; () ; ; Uppercase ? :No ; Default Value :0 ;

20 EVENT_ID
 entry within a path;
 Optional ? :No ; Number () ; () ; ; Uppercase ? :No ; Default Value :0 ;

30 EVENT_NAME
 Textual description
 Optional ? :Yes ; Varchar2 (255) ; () ; ; Uppercase ? :No ;

40 EVENT_NAME_ID
 Reference to event names
 Optional ? :Yes ; Number () ; () ; ; Uppercase ? :No ; Default Value :0 ;

50 PATH_OWNER_ID
 ID of user owning path, for quick checks
 Optional ? :Yes ; Number () ; () ; ; Uppercase ? :No ; Default Value :0 ;

60 EVENT_ENTERPRISE_ID
 Reference to enterprise responsible for event
 Optional ? :Yes ; Number () ; () ; ; Uppercase ? :No ; Default Value :0 ;

70 EVENT_CONTACT_ID
 Reference to user responsible for event
 Optional ? :Yes ; Number () ; () ; ; Uppercase ? :No ; Default Value :0 ;

80 PLAN_DATE
 Original plan
 Optional ? :Yes ; Number () ; () ; ; Uppercase ? :No ; Default Value :0 ;

90 REVISED_DATE
 Revised date
 Optional ? :Yes ; Number () ; () ; ; Uppercase ? :No ; Default Value :0 ;

100 ACTUAL_DATE
 Actual date (if zero and complete, use revised_date)
 Optional ? :Yes ; Number () ; () ; ; Uppercase ? :No ; Default Value :0 ;

110 DONE
 0 if not complete, 1 if complete, 2 if cancelled

Container : RetailServer11.1 Version :

Column Detail

Optional ? :Yes ; Number () ;() ; ; Uppercase ? :No ; Default Value :0 ;
 120 SERIAL
 Optional ? :Yes ; Number () ;() ; ; Uppercase ? :No ; Default Value :0 ;
 130 AMBERDAYS
 Days late before amber alert, null means NEVER
 Optional ? :Yes ; Number () ;() ; ; Uppercase ? :No ; Default Value :0 ;
 140 REDDAYS
 Days late before red alert, null means NEVER
 Optional ? :Yes ; Number () ;() ; ; Uppercase ? :No ; Default Value :0 ;
 150 REMINDERDAYS
 Days before reminder, null means NEVER
 Optional ? :Yes ; Number () ;() ; ; Uppercase ? :No ; Default Value :0 ;
 160 AMBER_ALERTED
 Optional ? :Yes ; Number () ;() ; ; Uppercase ? :No ; Default Value :0 ;
 170 RED_ALERTED
 Optional ? :Yes ; Number () ;() ; ; Uppercase ? :No ; Default Value :0 ;
 180 REMINDER_SENT
 Reminder message sent?
 Optional ? :Yes ; Number () ;() ; ; Uppercase ? :No ; Default Value :0 ;
 190 ENTERPRISE_ID
 Enterprise owning event, for quick checks
 Optional ? :Yes ; Number () ;() ; ; Uppercase ? :No ; Default Value :0 ;
 200 ENT_EVENT_ID
 New unique (set on insert) event id.
 Optional ? :No ; Number () ;() ; ; Uppercase ? :No ;
 210 EVENT_DEPENDENCIES
 Event dependencies (event name id list)
 Optional ? :Yes ; Varchar2 (2000) ;() ; ; Uppercase ? :No ;
 220 NST_PATH_ID
 ID of nested track
 Optional ? :Yes ; Number () ;() ; ; Uppercase ? :No ; Default Value :0 ;
 230 INITIAL_DATE
 First plan date (aka baseline date)
 Optional ? :Yes ; Number () ;() ; ; Uppercase ? :No ; Default Value :0 ;
 240 EVENT_FLAGS
 Miscellaneous stuff, including new confirmed flag
 Optional ? :Yes ; Number () ;() ; ; Uppercase ? :No ; Default Value :0 ;

Table Definition

Container : RetailServer11.1 Version :

Table Name : ENT_ITEMS Alias :
Display Title :

Comment : Enterprise products, projects, etc

Volumes

Start Rows : End Rows :

Storage

Index-organized ? No

Column Summary

<u>Col.Seq.</u>	<u>Column</u>	<u>Nulls ?</u>	<u>Type</u>
10	ITEM_ID	NOT NULL	NUMBER ()
20	ITEM_NAME	NULL	VARCHAR2 (255)
30	ITEM_TYPE	NULL	NUMBER ()
40	DEPARTMENT_ID	NULL	NUMBER ()
50	STYLE_NUMBER	NULL	VARCHAR2 (32)
60	VENDOR_NUMBER	NULL	VARCHAR2 (32)
70	CLASS_NAME	NULL	VARCHAR2 (64)
80	SUBCLASS_NAME	NULL	VARCHAR2 (64)
90	COLOUR_LIST	NULL	VARCHAR2 (2000)
100	UNIT_VALUE	NULL	FLOAT (126)
110	ATTRIBUTE_LIST	NULL	VARCHAR2 (255)
120	ITEM_COMMENTS	NULL	VARCHAR2 (2000)
130	ENTERPRISE_ID	NULL	NUMBER ()
140	ITEM_EXTRAS	NULL	VARCHAR2 (2000)

Primary Key

<u>Name</u>	<u>Column</u>
PK_ENT_ITEMS	ITEM_ID

Index Summary

<u>Name</u>	<u>Seq.</u>	<u>Column</u>	<u>Index Type</u>
ENT_ITEM_I1	1	ENTERPRISE_ID	NOT UNIQUE
ENT_ITEM_I2	1	ENTERPRISE_ID	NOT UNIQUE
ENT_ITEM_I2	2	STYLE_NUMBER	NOT UNIQUE

Column Detail

10 ITEM_ID

Container : RetailServer11.1 Version :

Column Detail

```

Optional ? :No ; Number ( ) ;( ) ; ; Uppercase ? :No ; Default Value :0 ;
20  ITEM_NAME
Optional ? :Yes ; Varchar2 (255) ;( ) ; ; Uppercase ? :No ;
30  ITEM_TYPE
0 for product, 1 for project, etc.
Optional ? :Yes ; Number ( ) ;( ) ; ; Uppercase ? :No ; Default Value :0 ;
40  DEPARTMENT_ID
Owning department
Optional ? :Yes ; Number ( ) ;( ) ; ; Uppercase ? :No ; Default Value :0 ;
50  STYLE_NUMBER
Reference to other system, eg RMS
Optional ? :Yes ; Varchar2 (32) ;( ) ; ; Uppercase ? :No ;
60  VENDOR_NUMBER
Vendor product no.
Optional ? :Yes ; Varchar2 (32) ;( ) ; ; Uppercase ? :No ;
70  CLASS_NAME
Hierarchy values
Optional ? :Yes ; Varchar2 (64) ;( ) ; ; Uppercase ? :No ;
80  SUBCLASS_NAME
Optional ? :Yes ; Varchar2 (64) ;( ) ; ; Uppercase ? :No ;
90  COLOUR_LIST
Comma-separated colour list
Optional ? :Yes ; Varchar2 (2000) ;( ) ; ; Uppercase ? :No ;
100 UNIT_VALUE
Unit value
Optional ? :Yes ; Float (126) ;( ) ; ; Uppercase ? :No ;
110 ATTRIBUTE_LIST
Attribute list
Optional ? :Yes ; Varchar2 (255) ;( ) ; ; Uppercase ? :No ;
120 ITEM_COMMENTS
Product comments
Optional ? :Yes ; Varchar2 (2000) ;( ) ; ; Uppercase ? :No ;
130 ENTERPRISE_ID
Optional ? :Yes ; Number ( ) ;( ) ; ; Uppercase ? :No ; Default Value :0 ;
140 ITEM_EXTRAS
Packed extra values for list display
Optional ? :Yes ; Varchar2 (2000) ;( ) ; ; Uppercase ? :No ;

```

Table Definition

Container : RetailServer11.1 Version :

Table Name : ENT_LOCATIONS Alias :
Display Title :

Comment : Enterprise locations

Volumes

Start Rows : End Rows :

Storage

Index-organized ? No

Column Summary

<u>Col.Seq.</u>	<u>Column</u>	<u>Nulls ?</u>	<u>Type</u>
10	LOCATION_ID	NOT NULL	NUMBER ()
20	LOCATION_NAME	NULL	VARCHAR2 (64)
30	LOCATION_TYPE	NULL	NUMBER ()
40	PRIMARY_FLAG	NULL	NUMBER ()
50	COUNTRY_ID	NULL	NUMBER ()
60	ADDRESS_INFO	NULL	VARCHAR2 (2000)
70	ENTERPRISE_ID	NULL	NUMBER ()
80	LEAD_TIME	NULL	NUMBER ()
90	LOCATION_CODE	NULL	VARCHAR2 (16)

Primary Key

<u>Name</u>	<u>Column</u>
PK_ENT_LOCATIONS	LOCATION_ID

Index Summary

<u>Name</u>	<u>Seq.</u>	<u>Column</u>	<u>Index Type</u>
ENT_L1	1	ENTERPRISE_ID	NOT UNIQUE

Column Detail

10	LOCATION_ID	Unique ID Optional ? :No ; Number () ;() ; ; Uppercase ? :No ; Default Value :0 ;
20	LOCATION_NAME	Location name Optional ? :Yes ; Varchar2 (64) ;() ; ; Uppercase ? :No ;
30	LOCATION_TYPE	Location type (refers to wt_types) Optional ? :Yes ; Number () ;() ; ; Uppercase ? :No ; Default Value :0 ;

Table Definition

Container : RetailServer11.1 Version :

Column Detail

40 PRIMARY_FLAG
Set to non-zero if 'primary' location
Optional ? :Yes ; Number () ; () ; ; Uppercase ? :No ; Default Value :0 ;

50 COUNTRY_ID
ID of country
Optional ? :Yes ; Number () ; () ; ; Uppercase ? :No ; Default Value :0 ;

60 ADDRESS_INFO
Packed, includes phone, fax?
Optional ? :Yes ; Varchar2 (2000) ; () ; ; Uppercase ? :No ;

70 ENTERPRISE_ID
Owning enterprise
Optional ? :Yes ; Number () ; () ; ; Uppercase ? :No ; Default Value :0 ;

80 LEAD_TIME
Lead time associated with location. Use is application dependent.
Optional ? :Yes ; Number () ; () ; ; Uppercase ? :No ; Default Value :0 ;

90 LOCATION_CODE
External code for location
Optional ? :Yes ; Varchar2 (16) ; () ; ; Uppercase ? :No ;

Table Definition

Container : RetailServer11.1 Version :

Table Name : ENT_LOCKS Alias :
Display Title :

Comment : Edit locks

Volumes

Start Rows : End Rows :

Storage

Index-organized ? No

Column Summary

<u>Col.Seq.</u>	<u>Column</u>	<u>Nulls ?</u>	<u>Type</u>
10	LOCK_ID	NOT NULL	NUMBER ()
20	LOCKOBJECT	NULL	VARCHAR2 (128)
30	UNIQUEKEY	NULL	VARCHAR2 (128)
40	USERNAME	NULL	VARCHAR2 (50)
50	GRABTIME	NULL	NUMBER ()
60	TIMEOUT	NULL	NUMBER ()
70	REQUESTED	NULL	NUMBER ()
80	EXPIRY	NULL	NUMBER ()
90	TERMINAL	NULL	NUMBER ()

Primary Key

<u>Name</u>	<u>Column</u>
PK_ENT_LOCKS	LOCK_ID

Index Summary

<u>Name</u>	<u>Seq.</u>	<u>Column</u>	<u>Index Type</u>
ENT_LK_I1	1	LOCKOBJECT	NOT UNIQUE
ENT_LK_I2	1	UNIQUEKEY	NOT UNIQUE
ENT_LK_I3	1	EXPIRY	NOT UNIQUE
ENT_LK_I4	1	TERMINAL	NOT UNIQUE

Column Detail

10	LOCK_ID	Unique ID	Optional ? :No ; Number () ; () ; ; Uppercase ? :No ; Default Value :0 ;
20	LOCKOBJECT	Identifies object	

Table Definition

Container : RetailServer11.1 Version :

Column Detail

```
Optional ? :Yes ; Varchar2 (128) ;() ; ; Uppercase ? :No ;
30 UNIQUEKEY
Identifies session
Optional ? :Yes ; Varchar2 (128) ;() ; ; Uppercase ? :No ;
40 USERNAME
Name of lock owner
Optional ? :Yes ; Varchar2 (50) ;() ; ; Uppercase ? :No ;
50 GRABTIME
Datestamp when grabbed
Optional ? :Yes ; Number () ;() ; ; Uppercase ? :No ; Default Value :0 ;
60 TIMEOUT
Timeout value (seconds) for refreshment
Optional ? :Yes ; Number () ;() ; ; Uppercase ? :No ; Default Value :0 ;
70 REQUESTED
Set to non-zero if user has requested item
Optional ? :Yes ; Number () ;() ; ; Uppercase ? :No ; Default Value :0 ;
80 EXPIRY
Expiry time if requested
Optional ? :Yes ; Number () ;() ; ; Uppercase ? :No ; Default Value :0 ;
90 TERMINAL
Absolute timeout
Optional ? :Yes ; Number () ;() ; ; Uppercase ? :No ; Default Value :0 ;
```

Table Definition

Container : RetailServer11.1 Version :

Table Name : ENT_MCLDATA Alias :
Display Title :

Comment : MCL column data

Volumes

Start Rows : End Rows :

Storage

Index-organized ? No

Column Summary

<u>Col.Seq.</u>	<u>Column</u>	<u>Nulls ?</u>	<u>Type</u>
10	APPLICATION_NUMBER	NULL	NUMBER ()
20	LIST_CODE	NULL	VARCHAR2 (32)
30	VIEW_CODE	NULL	VARCHAR2 (32)
40	USER_ID	NULL	NUMBER ()
50	CODE	NULL	NUMBER ()
60	POSITION	NULL	NUMBER ()
70	WIDTH	NULL	NUMBER ()
80	OPTIONS	NULL	VARCHAR2 (32)
90	ENTERPRISE_ID	NULL	NUMBER ()

Index Summary

<u>Name</u>	<u>Seq.</u>	<u>Column</u>	<u>Index Type</u>
ENT_MCL_I1	1	APPLICATION_NUMBER	NOT UNIQUE
ENT_MCL_I1	2	LIST_CODE	NOT UNIQUE
ENT_MCL_I2	1	ENTERPRISE_ID	NOT UNIQUE

Column Detail

10 APPLICATION_NUMBER
Identifies application (design, etc)
Optional ? :Yes ; Number () ;() ; ; Uppercase ? :No ; Default Value :0 ;

20 LIST_CODE
Identifies list
Optional ? :Yes ; Varchar2 (32) ;() ; ; Uppercase ? :No ;

30 VIEW_CODE
Identifies view
Optional ? :Yes ; Varchar2 (32) ;() ; ; Uppercase ? :No ;

40 USER_ID
User saving config; 0 for administrator

Table Definition

Container : RetailServer11.1 Version :

Column Detail

```
Optional ? :Yes ; Number ( ) ;( ) ; ; Uppercase ? :No ; Default Value :0 ;
50 CODE
   Column code
Optional ? :Yes ; Number ( ) ;( ) ; ; Uppercase ? :No ; Default Value :0 ;
60 POSITION
   Column position
Optional ? :Yes ; Number ( ) ;( ) ; ; Uppercase ? :No ; Default Value :0 ;
70 WIDTH
   Column width
Optional ? :Yes ; Number ( ) ;( ) ; ; Uppercase ? :No ; Default Value :0 ;
80 OPTIONS
   Other options (show, wrap, etc)
Optional ? :Yes ; Varchar2 (32) ;( ) ; ; Uppercase ? :No ;
90 ENTERPRISE_ID
   Owing enterprise
Optional ? :Yes ; Number ( ) ;( ) ; ; Uppercase ? :No ; Default Value :0 ;
```


Table Definition

Container : RetailServer11.1 Version :

Table Name : ENT_MCLHEADINGS Alias :
Display Title :

Comment : MCL headings

Volumes

Start Rows : End Rows :

Storage

Index-organized ? No

Column Summary

<u>Col.Seq.</u>	<u>Column</u>	<u>Nulls ?</u>	<u>Type</u>
10	APPLICATION_NUMBER	NULL	NUMBER ()
20	LIST_CODE	NULL	VARCHAR2 (32)
30	VIEW_CODE	NULL	VARCHAR2 (32)
40	USER_ID	NULL	NUMBER ()
50	CODE	NULL	NUMBER ()
60	HEADING	NULL	VARCHAR2 (64)
70	LANGUAGE_CODE	NULL	VARCHAR2 (32)
80	ENTERPRISE_ID	NULL	NUMBER ()

Index Summary

<u>Name</u>	<u>Seq.</u>	<u>Column</u>	<u>Index Type</u>
ENT_MCLHD_I1	1	APPLICATION_NUMBER	NOT UNIQUE
ENT_MCLHD_I1	2	LIST_CODE	NOT UNIQUE
ENT_MCLHD_I2	1	ENTERPRISE_ID	NOT UNIQUE

Column Detail

10 APPLICATION_NUMBER
Identifies application (design, etc)
Optional ? :Yes ; Number () ;() ; ; Uppercase ? :No ; Default Value :0 ;

20 LIST_CODE
Identifies list
Optional ? :Yes ; Varchar2 (32) ;() ; ; Uppercase ? :No ;

30 VIEW_CODE
Identifies view
Optional ? :Yes ; Varchar2 (32) ;() ; ; Uppercase ? :No ;

40 USER_ID
User saving config; 0 for administrator
Optional ? :Yes ; Number () ;() ; ; Uppercase ? :No ; Default Value :0 ;

Table Definition

Container : RetailServer11.1 Version :

Column Detail

50 CODE
 Column code
 Optional ? :Yes ; Number () ; () ; ; Uppercase ? :No ; Default Value :0 ;

60 HEADING
 Heading
 Optional ? :Yes ; Varchar2 (64) ; () ; ; Uppercase ? :No ;

70 LANGUAGE_CODE
 Language
 Optional ? :Yes ; Varchar2 (32) ; () ; ; Uppercase ? :No ;

80 ENTERPRISE_ID
 Owning enterprise
 Optional ? :Yes ; Number () ; () ; ; Uppercase ? :No ; Default Value :0 ;

Table Definition

Container : RetailServer11.1 Version :

Table Name : ENT_OBJECTSTORE Alias :
Display Title :

Comment : General Java object store

Volumes

Start Rows : End Rows :

Storage

Index-organized ? No

Column Summary

<u>Col.Seq.</u>	<u>Column</u>	<u>Nulls ?</u>	<u>Type</u>
10	OBJECT_ID	NOT NULL	NUMBER ()
20	OBJECT_TYPE	NULL	VARCHAR2 (32)
30	OBJECT_SUBTYPE	NULL	VARCHAR2 (16)
40	OBJECT_NAME	NULL	VARCHAR2 (128)
50	OBJECT_DATE	NULL	NUMBER ()
60	OBJECT_DATA	NULL	LONG RAW ()
70	USER_ID	NULL	NUMBER ()
80	OWNER_ID	NULL	NUMBER ()
90	ENTERPRISE_ID	NULL	NUMBER ()

Primary Key

<u>Name</u>	<u>Column</u>
PK_ENT_OBJECTSTORE	OBJECT_ID

Index Summary

<u>Name</u>	<u>Seq.</u>	<u>Column</u>	<u>Index Type</u>
ENT_OBJS_I1	1	ENTERPRISE_ID	NOT UNIQUE
ENT_OBJS_I2	1	USER_ID	NOT UNIQUE
ENT_OBJS_I3	1	OBJECT_TYPE	NOT UNIQUE

Column Detail

10	OBJECT_ID	Optional ? :No ; Number () ;() ; ; Uppercase ? :No ; Default Value :0 ;
20	OBJECT_TYPE	Internal object class, app specific. Optional ? :Yes ; Varchar2 (32) ;() ; ; Uppercase ? :No ;
30	OBJECT_SUBTYPE	

Table Definition

Container : RetailServer11.1 Version :

Column Detail

Allows subtyping withing main use

Optional ? :Yes ; Varchar2 (16) ;() ; ; Uppercase ? :No ;

40 OBJECT_NAME

Name of object, user defined

Optional ? :Yes ; Varchar2 (128) ;() ; ; Uppercase ? :No ;

50 OBJECT_DATE

Date of creation/update

Optional ? :Yes ; Number () ;() ; ; Uppercase ? :No ; Default Value :0 ;

60 OBJECT_DATA

Serialized object

Optional ? :Yes ; Long Raw () ;() ; ; Uppercase ? :No ;

70 USER_ID

Owning user, may be zero

Optional ? :Yes ; Number () ;() ; ; Uppercase ? :No ; Default Value :0 ;

80 OWNER_ID

Owner ID of item in other table

Optional ? :Yes ; Number () ;() ; ; Uppercase ? :No ; Default Value :0 ;

90 ENTERPRISE_ID

Owning enterprise

Optional ? :Yes ; Number () ;() ; ; Uppercase ? :No ; Default Value :0 ;

Table Definition

Container : RetailServer11.1 Version :

Table Name : ENT_PARAMETERS Alias :
Display Title :

Comment : Parameter definition (for lookups)

Volumes

Start Rows : End Rows :

Storage

Index-organized ? No

Column Summary

<u>Col.Seq.</u>	<u>Column</u>	<u>Nulls ?</u>	<u>Type</u>
10	PARAMETER_ID	NOT NULL	NUMBER ()
20	PARAMETER_NAME	NULL	VARCHAR2 (64)
30	PARAMETER_CODE	NULL	VARCHAR2 (32)
40	IS_GLOBAL	NULL	NUMBER ()
50	PARAMETER_TYPE	NULL	NUMBER ()
60	PARAMETER_OPTIONS	NULL	NUMBER ()
70	DEFAULT_NUM	NULL	FLOAT (126)
80	DEFAULT_STR	NULL	VARCHAR2 (255)
90	NUM_KEYS	NULL	NUMBER ()
100	KEY_TYPE_1	NULL	NUMBER ()
110	KEY_TYPE_2	NULL	NUMBER ()
120	KEY_TYPE_3	NULL	NUMBER ()
130	KEY_TYPE_4	NULL	NUMBER ()
140	KEY_TYPE_5	NULL	NUMBER ()
150	KEY_LABEL_1	NULL	VARCHAR2 (32)
160	KEY_LABEL_2	NULL	VARCHAR2 (32)
170	KEY_LABEL_3	NULL	VARCHAR2 (32)
180	KEY_LABEL_4	NULL	VARCHAR2 (32)
190	KEY_LABEL_5	NULL	VARCHAR2 (32)
200	KEY_DETAIL_1	NULL	VARCHAR2 (32)
210	KEY_DETAIL_2	NULL	VARCHAR2 (32)
220	KEY_DETAIL_3	NULL	VARCHAR2 (32)
230	KEY_DETAIL_4	NULL	VARCHAR2 (32)
240	KEY_DETAIL_5	NULL	VARCHAR2 (32)
250	ENTERPRISE_ID	NULL	NUMBER ()

Primary Key

<u>Name</u>	<u>Column</u>
PK_ENT_PARAMETERS	PARAMETER_ID

Table Definition

Container : RetailServer11.1 Version :

Index Summary

<u>Name</u>	<u>Seq.</u>	<u>Column</u>	<u>Index Type</u>
ENT_PARMS_I1	1	PARAMETER_CODE	NOT UNIQUE
ENT_PARMS_I2	1	ENTERPRISE_ID	NOT UNIQUE

Column Detail

10 PARAMETER_ID
 Primary key ID
 Optional ? :No ; Number () ; () ; ; Uppercase ? :No ; Default Value :0 ;

20 PARAMETER_NAME
 Parameter name used in GUI
 Optional ? :Yes ; Varchar2 (64) ; () ; ; Uppercase ? :No ;

30 PARAMETER_CODE
 Parameter code used in lookup functions
 Optional ? :Yes ; Varchar2 (32) ; () ; ; Uppercase ? :No ;

40 IS_GLOBAL
 If global values are entered by system administrator
 Optional ? :Yes ; Number () ; () ; ; Uppercase ? :No ; Default Value :0 ;

50 PARAMETER_TYPE
 Integer, float or string
 Optional ? :Yes ; Number () ; () ; ; Uppercase ? :No ; Default Value :0 ;

60 PARAMETER_OPTIONS
 Bit string of other options
 Optional ? :Yes ; Number () ; () ; ; Uppercase ? :No ; Default Value :0 ;

70 DEFAULT_NUM
 Default numeric value
 Optional ? :Yes ; Float (126) ; () ; ; Uppercase ? :No ; Default Value :0 ;

80 DEFAULT_STR
 Default string value
 Optional ? :Yes ; Varchar2 (255) ; () ; ; Uppercase ? :No ;

90 NUM_KEYS
 Number of keys
 Optional ? :Yes ; Number () ; () ; ; Uppercase ? :No ; Default Value :0 ;

100 KEY_TYPE_1
 Key types
 Optional ? :Yes ; Number () ; () ; ; Uppercase ? :No ; Default Value :0 ;

110 KEY_TYPE_2
 Optional ? :Yes ; Number () ; () ; ; Uppercase ? :No ; Default Value :0 ;

120 KEY_TYPE_3
 Optional ? :Yes ; Number () ; () ; ; Uppercase ? :No ; Default Value :0 ;

Table Definition

Container : RetailServer11.1 Version :

Column Detail

```

130 KEY_TYPE_4
      Optional ? :Yes ; Number ( ) ;( ) ; ; Uppercase ? :No ; Default Value :0 ;
140 KEY_TYPE_5
      Optional ? :Yes ; Number ( ) ;( ) ; ; Uppercase ? :No ; Default Value :0 ;
150 KEY_LABEL_1
      Key labels (optional)
      Optional ? :Yes ; Varchar2 (32) ;( ) ; ; Uppercase ? :No ;
160 KEY_LABEL_2
      Optional ? :Yes ; Varchar2 (32) ;( ) ; ; Uppercase ? :No ;
170 KEY_LABEL_3
      Optional ? :Yes ; Varchar2 (32) ;( ) ; ; Uppercase ? :No ;
180 KEY_LABEL_4
      Optional ? :Yes ; Varchar2 (32) ;( ) ; ; Uppercase ? :No ;
190 KEY_LABEL_5
      Optional ? :Yes ; Varchar2 (32) ;( ) ; ; Uppercase ? :No ;
200 KEY_DETAIL_1
      Key detail values (optional)
      Optional ? :Yes ; Varchar2 (32) ;( ) ; ; Uppercase ? :No ;
210 KEY_DETAIL_2
      Optional ? :Yes ; Varchar2 (32) ;( ) ; ; Uppercase ? :No ;
220 KEY_DETAIL_3
      Optional ? :Yes ; Varchar2 (32) ;( ) ; ; Uppercase ? :No ;
230 KEY_DETAIL_4
      Optional ? :Yes ; Varchar2 (32) ;( ) ; ; Uppercase ? :No ;
240 KEY_DETAIL_5
      Optional ? :Yes ; Varchar2 (32) ;( ) ; ; Uppercase ? :No ;
250 ENTERPRISE_ID
      Owing enterprise
      Optional ? :Yes ; Number ( ) ;( ) ; ; Uppercase ? :No ; Default Value :0 ;

```

Table Definition

Container : RetailServer11.1 Version :

Table Name : ENT_PARAMVALUES Alias :
Display Title :

Comment : Parameter values

Volumes

Start Rows : End Rows :

Storage

Index-organized ? No

Column Summary

<u>Col.Seq.</u>	<u>Column</u>	<u>Nulls ?</u>	<u>Type</u>
10	PARAMVALUE_ID	NOT NULL	NUMBER ()
20	PARAMETER_ID	NULL	NUMBER ()
30	VALUE_NUM	NULL	FLOAT (126)
40	VALUE_STR	NULL	VARCHAR2 (255)
50	START_DATE	NULL	NUMBER ()
60	END_DATE	NULL	NUMBER ()
70	ACTIVE_FLAG	NULL	NUMBER ()
80	KEY_1	NULL	VARCHAR2 (32)
90	KEY_2	NULL	VARCHAR2 (32)
100	KEY_3	NULL	VARCHAR2 (32)
110	KEY_4	NULL	VARCHAR2 (32)
120	KEY_5	NULL	VARCHAR2 (32)
130	ENTERPRISE_ID	NULL	NUMBER ()
140	EXTERNAL_VALUE	NULL	VARCHAR2 (255)

Primary Key

<u>Name</u>	<u>Column</u>
PK_ENT_PARAMVALUES	PARAMVALUE_ID

Column Detail

10	PARAMVALUE_ID	Usual primary key Optional ? :No ; Number () ;() ; ; Uppercase ? :No ; Default Value :0 ;
20	PARAMETER_ID	Owning parameter type Optional ? :Yes ; Number () ;() ; ; Uppercase ? :No ; Default Value :0 ;
30	VALUE_NUM	Numeric value Optional ? :Yes ; Float (126) ;() ; ; Uppercase ? :No ; Default Value :0 ;

Table Definition

Container : RetailServer11.1 Version :

Index Summary

<u>Name</u>	<u>Seq.</u>	<u>Column</u>	<u>Index Type</u>
ENT_PVALS_I1	1	PARAMETER_ID	NOT UNIQUE
ENT_PVALS_I2	1	ENTERPRISE_ID	NOT UNIQUE
ENT_PVALS_K1	1	KEY_1	NOT UNIQUE
ENT_PVALS_K1	2	KEY_2	NOT UNIQUE
ENT_PVALS_K1	3	KEY_3	NOT UNIQUE
ENT_PVALS_K1	4	KEY_4	NOT UNIQUE
ENT_PVALS_K1	5	KEY_5	NOT UNIQUE

Column Detail

40 VALUE_STR
 Default value
 Optional ? :Yes ; Varchar2 (255) ;() ; ; Uppercase ? :No ;

50 START_DATE
 Start date: zero means since the beginning of time
 Optional ? :Yes ; Number () ;() ; ; Uppercase ? :No ; Default Value :0 ;

60 END_DATE
 End date: zero means no end date
 Optional ? :Yes ; Number () ;() ; ; Uppercase ? :No ; Default Value :0 ;

70 ACTIVE_FLAG
 Non-zero if active
 Optional ? :Yes ; Number () ;() ; ; Uppercase ? :No ; Default Value :0 ;

80 KEY_1
 Key values: often numeric but we use characters for generality
 Optional ? :Yes ; Varchar2 (32) ;() ; ; Uppercase ? :No ;

90 KEY_2
 Optional ? :Yes ; Varchar2 (32) ;() ; ; Uppercase ? :No ;

100 KEY_3
 Optional ? :Yes ; Varchar2 (32) ;() ; ; Uppercase ? :No ;

110 KEY_4
 Optional ? :Yes ; Varchar2 (32) ;() ; ; Uppercase ? :No ;

120 KEY_5
 Optional ? :Yes ; Varchar2 (32) ;() ; ; Uppercase ? :No ;

130 ENTERPRISE_ID
 Owning enterprise
 Optional ? :Yes ; Number () ;() ; ; Uppercase ? :No ; Default Value :0 ;

140 EXTERNAL_VALUE

Table Definition

Container : RetailServer11.1 Version :

Column Detail

Optional external value used for import/export

Optional ? :Yes ; Varchar2 (255) ;() ; ; Uppercase ? :No ;

Table Definition

Container : RetailServer11.1 Version :

Table Name : ENT_PARTNERDEPTS Alias :
Display Title :

Comment : Trading partner department allocation

Volumes

Start Rows : End Rows :

Storage

Index-organized ? No

Column Summary

<u>Col.Seq.</u>	<u>Column</u>	<u>Nulls ?</u>	<u>Type</u>
10	ENTPARTNER_ID	NOT NULL	NUMBER ()
20	DEPARTMENT_ID	NOT NULL	NUMBER ()
30	ENTERPRISE_ID	NULL	NUMBER ()

Primary Key

<u>Name</u>	<u>Column</u>
PK_ENT_PARTNERDEPTS	ENTPARTNER_ID DEPARTMENT_ID

Index Summary

<u>Name</u>	<u>Seq.</u>	<u>Column</u>	<u>Index Type</u>
ENT_EPD1	1	ENTERPRISE_ID	NOT UNIQUE
ENT_EPD2	1	DEPARTMENT_ID	NOT UNIQUE

Column Detail

10	ENTPARTNER_ID	Matches value in ent_partners Optional ? :No ; Number () ;() ; ; Uppercase ? :No ; Default Value :0 ;
20	DEPARTMENT_ID	Department allocation Optional ? :No ; Number () ;() ; ; Uppercase ? :No ; Default Value :0 ;
30	ENTERPRISE_ID	For security checking Optional ? :Yes ; Number () ;() ; ; Uppercase ? :No ; Default Value :0 ;

Table Definition

Container : RetailServer11.1 Version :

Table Name : ENT_PARTNERS Alias :
Display Title :

Comment : Enterprise trading partners

Volumes

Start Rows : End Rows :

Storage

Index-organized ? No

Column Summary

<u>Col.Seq.</u>	<u>Column</u>	<u>Nulls ?</u>	<u>Type</u>
10	ENTPARTNER_ID	NOT NULL	NUMBER ()
20	PARTNER_ID	NULL	NUMBER ()
30	CONTACT_ID	NULL	NUMBER ()
40	STATUS	NULL	NUMBER ()
50	CREATION_DATE	NULL	NUMBER ()
60	ACCOUNT_NUMBER	NULL	VARCHAR2 (32)
70	ENTERPRISE_ID	NULL	NUMBER ()
80	PARTNER_CODE	NULL	VARCHAR2 (32)
90	PARTNER_ACCOUNTID	NULL	NUMBER ()
100	PARTNER_INFO	NULL	VARCHAR2 (64)

Primary Key

<u>Name</u>	<u>Column</u>
PK_ENT_PARTNERS	ENTPARTNER_ID

Index Summary

<u>Name</u>	<u>Seq.</u>	<u>Column</u>	<u>Index Type</u>
ENT_PT1	1	ENTERPRISE_ID	NOT UNIQUE
ENT_PT2	1	PARTNER_ID	NOT UNIQUE

Column Detail

10	ENTPARTNER_ID	Usual stuff key stuff Optional ? :No ; Number () ;() ; ; Uppercase ? :No ; Default Value :0 ;
20	PARTNER_ID	ID of partner enterprise Optional ? :Yes ; Number () ;() ; ; Uppercase ? :No ; Default Value :0 ;
30	CONTACT_ID	

Table Definition

Container : RetailServer11.1 Version :

Column Detail

Admin id in other enterprise, zero if private

Optional ? :Yes ; Number () ;() ; ; Uppercase ? :No ; Default Value :0 ;

40 STATUS

0 = notified, 1 = requested, 2 = declined, 3 = accepted

Optional ? :Yes ; Number () ;() ; ; Uppercase ? :No ; Default Value :0 ;

50 CREATION_DATE

Date that partner records were created

Optional ? :Yes ; Number () ;() ; ; Uppercase ? :No ; Default Value :0 ;

60 ACCOUNT_NUMBER

JT special, partner's account number in local enterprise

Optional ? :Yes ; Varchar2 (32) ;() ; ; Uppercase ? :No ;

70 ENTERPRISE_ID

Owning enterprise

Optional ? :Yes ; Number () ;() ; ; Uppercase ? :No ; Default Value :0 ;

80 PARTNER_CODE

Enterprises internal code for the partner

Optional ? :Yes ; Varchar2 (32) ;() ; ; Uppercase ? :No ;

90 PARTNER_ACCOUNTID

Default account id for imports

Optional ? :Yes ; Number () ;() ; ; Uppercase ? :No ;

100 PARTNER_INFO

Enterprise internal info for the partner

Optional ? :Yes ; Varchar2 (64) ;() ; ; Uppercase ? :No ;

Table Definition

Container : RetailServer11.1 Version :

Table Name : ENT_PATHNOTES Alias :
Display Title :

Comment : Webtrack diary entries

Volumes

Start Rows : End Rows :

Storage

Index-organized ? No

Column Summary

<u>Col.Seq.</u>	<u>Column</u>	<u>Nulls ?</u>	<u>Type</u>
10	PATH_NOTE_ID	NOT NULL	NUMBER ()
20	PATH_ID	NULL	NUMBER ()
30	EVENT_ID	NULL	NUMBER ()
40	EVENT_NAME_ID	NULL	NUMBER ()
50	USER_ID	NULL	NUMBER ()
60	NOTE_DATE	NULL	NUMBER ()
70	NOTE_TEXT	NULL	VARCHAR2 (4000)
80	NOTE_ACTION	NULL	NUMBER ()
90	EVENT_DATE	NULL	NUMBER ()
100	NOTE_EMAILS	NULL	VARCHAR2 (2000)

Primary Key

<u>Name</u>	<u>Column</u>
PK_ENT_PATHNOTES	PATH_NOTE_ID

Index Summary

<u>Name</u>	<u>Seq.</u>	<u>Column</u>	<u>Index Type</u>
ENT_PN_I1	1	PATH_ID	NOT UNIQUE

Column Detail

10	PATH_NOTE_ID	Usual key Optional ? :No ; Number () ;() ; ; Uppercase ? :No ; Default Value :0 ;
20	PATH_ID	Path Optional ? :Yes ; Number () ;() ; ; Uppercase ? :No ; Default Value :0 ;
30	EVENT_ID	Event within path

Table Definition

Container : RetailServer11.1 Version :

Column Detail

Optional ? :Yes ; Number () ;() ; ; Uppercase ? :No ; Default Value :0 ;
40 EVENT_NAME_ID
Reference to eventnames table
Optional ? :Yes ; Number () ;() ; ; Uppercase ? :No ; Default Value :0 ;
50 USER_ID
Identifies user in ent_users table
Optional ? :Yes ; Number () ;() ; ; Uppercase ? :No ; Default Value :0 ;
60 NOTE_DATE
Date/time of note entry
Optional ? :Yes ; Number () ;() ; ; Uppercase ? :No ; Default Value :0 ;
70 NOTE_TEXT
The text itself
Optional ? :Yes ; Varchar2 (4000) ;() ; ; Uppercase ? :No ;
80 NOTE_ACTION
Standard action: 0 nothing, 1 done, 2 revised, 3 accepted, 4 rejected
Optional ? :Yes ; Number () ;() ; ; Uppercase ? :No ; Default Value :0 ;
90 EVENT_DATE
Revised date from event, for client formatting
Optional ? :Yes ; Number () ;() ; ; Uppercase ? :No ; Default Value :0 ;
100 NOTE_EMAILS
List of email addresses
Optional ? :Yes ; Varchar2 (2000) ;() ; ; Uppercase ? :No ;

Table Definition

Container : RetailServer11.1 Version :

Table Name : ENT_PATHS Alias :
Display Title :

Comment : Webtrack tracks

Volumes

Start Rows : End Rows :

Storage

Index-organized ? No

Column Summary

<u>Col.Seq.</u>	<u>Column</u>	<u>Nulls ?</u>	<u>Type</u>
10	PATH_ID	NOT NULL	NUMBER ()
20	PATH_NAME	NULL	VARCHAR2 (255)
30	PATH_OWNER_ID	NULL	NUMBER ()
40	DEPARTMENT_ID	NULL	NUMBER ()
50	END_DATE	NULL	NUMBER ()
60	PATH_STATE	NULL	NUMBER ()
70	CREATION_DATE	NULL	NUMBER ()
80	MODIFICATION_DATE	NULL	NUMBER ()
90	PATH_ALERT	NULL	NUMBER ()
100	ORDERITEM_ID	NULL	NUMBER ()
110	COLOUR_ID	NULL	NUMBER ()
120	PATH_QUANTITY	NULL	NUMBER ()
130	PATH_VALUE	NULL	FLOAT (126)
140	SEASON_ID	NULL	NUMBER ()
150	FIRST_OPEN_ID	NULL	NUMBER ()
160	FIRST_OPEN_NAME	NULL	VARCHAR2 (255)
170	FIRST_OPEN_EVENT_ID	NULL	NUMBER ()
180	FIRST_OPEN_DATE	NULL	NUMBER ()
190	FIRST_OPEN_ENTERPRISE	NULL	NUMBER ()
200	FIRST_OPEN_CONTACT	NULL	NUMBER ()
210	ENTERPRISE_ID	NULL	NUMBER ()
220	PARENT_PATH_ID	NULL	NUMBER ()
230	SUSPEND_DATE	NULL	NUMBER ()
240	TOPLEVEL_ENT_ID	NULL	NUMBER ()

Primary Key

<u>Name</u>	<u>Column</u>
PK_ENT_PATHS	PATH_ID

Table Definition

Container : RetailServer11.1 Version :

Index Summary

<u>Name</u>	<u>Seq.</u>	<u>Column</u>	<u>Index Type</u>
ENT_CP_I1	1	PATH_OWNER_ID	NOT UNIQUE
ENT_CP_I2	1	ENTERPRISE_ID	NOT UNIQUE
ENT_CP_I3	1	TOPLEVEL_ENT_ID	NOT UNIQUE

Column Detail

10	PATH_ID	Optional ? :No ; Number () ; () ; ; Uppercase ? :No ; Default Value :0 ;
20	PATH_NAME	display name of path Optional ? :Yes ; Varchar2 (255) ; () ; ; Uppercase ? :No ;
30	PATH_OWNER_ID	Optional ? :Yes ; Number () ; () ; ; Uppercase ? :No ; Default Value :0 ;
40	DEPARTMENT_ID	In case no corresponding order item Optional ? :Yes ; Number () ; () ; ; Uppercase ? :No ; Default Value :0 ;
50	END_DATE	final date Optional ? :Yes ; Number () ; () ; ; Uppercase ? :No ; Default Value :0 ;
60	PATH_STATE	for future use Optional ? :Yes ; Number () ; () ; ; Uppercase ? :No ; Default Value :0 ;
70	CREATION_DATE	Time of path creation Optional ? :Yes ; Number () ; () ; ; Uppercase ? :No ; Default Value :0 ;
80	MODIFICATION_DATE	Date stamp of any change to path or events Optional ? :Yes ; Number () ; () ; ; Uppercase ? :No ; Default Value :0 ;
90	PATH_ALERT	Alert Status 0 = green, 1 = amber, 2 = red. Optional ? :Yes ; Number () ; () ; ; Uppercase ? :No ; Default Value :0 ;
100	ORDERITEM_ID	Reference to order item Optional ? :Yes ; Number () ; () ; ; Uppercase ? :No ; Default Value :0 ;
110	COLOUR_ID	ID of attached colour; we need this here for path splitting Optional ? :Yes ; Number () ; () ; ; Uppercase ? :No ; Default Value :0 ;
120	PATH_QUANTITY	

Table Definition

Container : RetailServer11.1 Version :

Column Detail

Current forecast quantity
Optional ? :Yes ; Number () ;() ; ; Uppercase ? :No ; Default Value :0 ;

130 PATH_VALUE
Path value, rounded to integer
Optional ? :Yes ; Float (126) ;() ; ; Uppercase ? :No ; Default Value :0 ;

140 SEASON_ID
Hmm .. this is set automatically, may be zero
Optional ? :Yes ; Number () ;() ; ; Uppercase ? :No ; Default Value :0 ;

150 FIRST_OPEN_ID
ID of first event not done, zero if all done.
Optional ? :Yes ; Number () ;() ; ; Uppercase ? :No ; Default Value :0 ;

160 FIRST_OPEN_NAME
name of first event not done
Optional ? :Yes ; Varchar2 (255) ;() ; ; Uppercase ? :No ;

170 FIRST_OPEN_EVENT_ID
Reference to eventnames
Optional ? :Yes ; Number () ;() ; ; Uppercase ? :No ; Default Value :0 ;

180 FIRST_OPEN_DATE
date of first not done event
Optional ? :Yes ; Number () ;() ; ; Uppercase ? :No ; Default Value :0 ;

190 FIRST_OPEN_ENTERPRISE
id of enterprise owning first open event
Optional ? :Yes ; Number () ;() ; ; Uppercase ? :No ; Default Value :0 ;

200 FIRST_OPEN_CONTACT
id of contact owning first open event
Optional ? :Yes ; Number () ;() ; ; Uppercase ? :No ; Default Value :0 ;

210 ENTERPRISE_ID
Owning enterprise
Optional ? :Yes ; Number () ;() ; ; Uppercase ? :No ; Default Value :0 ;

220 PARENT_PATH_ID
ID of parent path if any
Optional ? :Yes ; Number () ;() ; ; Uppercase ? :No ; Default Value :0 ;

230 SUSPEND_DATE
Suspend time stamp; zero if not suspended
Optional ? :Yes ; Number () ;() ; ; Uppercase ? :No ; Default Value :0 ;

240 TOPLEVEL_ENT_ID
ID of enterprise owning nest of tracks
Optional ? :Yes ; Number () ;() ; ; Uppercase ? :No ; Default Value :0 ;

Table Definition

Container : RetailServer11.1 Version :

Table Name : ENT_PHASES Alias :
Display Title :

Comment : Phases

Volumes

Start Rows : End Rows :

Storage

Index-organized ? No

Column Summary

<u>Col.Seq.</u>	<u>Column</u>	<u>Nulls ?</u>	<u>Type</u>
10	PHASE_ID	NOT NULL	NUMBER ()
20	PHASE_NAME	NULL	VARCHAR2 (32)
30	PHASE_CODE	NULL	VARCHAR2 (16)
40	SEASON_ID	NULL	NUMBER ()
50	PHASE_START	NULL	NUMBER ()
60	PHASE_END	NULL	NUMBER ()
70	ENTERPRISE_ID	NULL	NUMBER ()

Primary Key

<u>Name</u>	<u>Column</u>
PK_ENT_PHASES	PHASE_ID

Index Summary

<u>Name</u>	<u>Seq.</u>	<u>Column</u>	<u>Index Type</u>
ENT_PHS_I1	1	ENTERPRISE_ID	NOT UNIQUE

Column Detail

10	PHASE_ID	Unique ID Optional ? :No ; Number () ;() ; ; Uppercase ? :No ; Default Value :0 ;
20	PHASE_NAME	Name of phase Optional ? :Yes ; Varchar2 (32) ;() ; ; Uppercase ? :No ;
30	PHASE_CODE	For external import Optional ? :Yes ; Varchar2 (16) ;() ; ; Uppercase ? :No ;
40	SEASON_ID	Containing season

Table Definition

Container : RetailServer11.1 Version :

Column Detail

```
Optional ? :Yes ; Number ( ) ;( ) ; ; Uppercase ? :No ; Default Value :0 ;
50 PHASE_START
   Start date of phase
Optional ? :Yes ; Number ( ) ;( ) ; ; Uppercase ? :No ; Default Value :0 ;
60 PHASE_END
   End date of phase
Optional ? :Yes ; Number ( ) ;( ) ; ; Uppercase ? :No ; Default Value :0 ;
70 ENTERPRISE_ID
   ID of owning enterprise
Optional ? :Yes ; Number ( ) ;( ) ; ; Uppercase ? :No ; Default Value :0 ;
```

Table Definition

Container : RetailServer11.1 Version :

Table Name : ENT_PICTUREDATA Alias :
Display Title :

Comment : Image annotation data

Volumes

Start Rows : End Rows :

Storage

Index-organized ? No

Column Summary

<u>Col.Seq.</u>	<u>Column</u>	<u>Nulls ?</u>	<u>Type</u>
10	ANNOTATION_NUMBER	NULL	NUMBER ()
20	PICTURE_ID	NULL	NUMBER ()
30	CONTEXT	NULL	VARCHAR2 (64)
40	SUBCONTEXT	NULL	VARCHAR2 (64)
50	ANNOTATION_TEXT	NULL	VARCHAR2 (2000)
60	ANNOTATION_FONT	NULL	VARCHAR2 (64)
70	IMAGE_ID	NULL	NUMBER ()
80	TEXT_COLOUR	NULL	NUMBER ()
90	BACKGROUND_COLOUR	NULL	NUMBER ()
100	POSITION_X	NULL	FLOAT (126)
110	POSITION_Y	NULL	FLOAT (126)
120	WIDTH	NULL	NUMBER ()
130	HEIGHT	NULL	NUMBER ()
140	SCALE_FACTOR	NULL	FLOAT (126)
150	POINTER_X	NULL	FLOAT (126)
160	POINTER_Y	NULL	FLOAT (126)
170	POINTER_COLOUR	NULL	NUMBER ()
180	EXTRA_DATA	NULL	VARCHAR2 (2000)
190	ENTERPRISE_ID	NULL	NUMBER ()

Index Summary

<u>Name</u>	<u>Seq.</u>	<u>Column</u>	<u>Index Type</u>
PICTD_I1	1	CONTEXT	NOT UNIQUE
PICTD_I2	1	ENTERPRISE_ID	NOT UNIQUE
PICTD_I3	1	SUBCONTEXT	NOT UNIQUE
PICTD_I4	1	PICTURE_ID	NOT UNIQUE

Column Detail

Table Definition

Container : RetailServer11.1 Version :

Column Detail

10 ANNOTATION_NUMBER
Order within picture (zero based)
Optional ? :Yes ; Number () ; () ; ; Uppercase ? :No ; Default Value :0 ;

20 PICTURE_ID
Reference to owning picture
Optional ? :Yes ; Number () ; () ; ; Uppercase ? :No ; Default Value :0 ;

30 CONTEXT
Lookup context
Optional ? :Yes ; Varchar2 (64) ; () ; ; Uppercase ? :No ;

40 SUBCONTEXT
Subcontext within context (for styles, etc)
Optional ? :Yes ; Varchar2 (64) ; () ; ; Uppercase ? :No ;

50 ANNOTATION_TEXT
Main image caption
Optional ? :Yes ; Varchar2 (2000) ; () ; ; Uppercase ? :No ;

60 ANNOTATION_FONT
Text font
Optional ? :Yes ; Varchar2 (64) ; () ; ; Uppercase ? :No ;

70 IMAGE_ID
Image (instead of text)
Optional ? :Yes ; Number () ; () ; ; Uppercase ? :No ; Default Value :0 ;

80 TEXT_COLOUR
Text foreground colour
Optional ? :Yes ; Number () ; () ; ; Uppercase ? :No ; Default Value :0 ;

90 BACKGROUND_COLOUR
Background RGB
Optional ? :Yes ; Number () ; () ; ; Uppercase ? :No ; Default Value :0 ;

100 POSITION_X
X position fraction
Optional ? :Yes ; Float (126) ; () ; ; Uppercase ? :No ; Default Value :0 ;

110 POSITION_Y
Y position fraction
Optional ? :Yes ; Float (126) ; () ; ; Uppercase ? :No ; Default Value :0 ;

120 WIDTH
Pixel dimensions
Optional ? :Yes ; Number () ; () ; ; Uppercase ? :No ; Default Value :0 ;

130 HEIGHT
Optional ? :Yes ; Number () ; () ; ; Uppercase ? :No ; Default Value :0 ;

140 SCALE_FACTOR
Optional scale factor overrides width

Table Definition

Container : RetailServer11.1 Version :

Column Detail

Optional ? :Yes ; Float (126) ;() ; ; Uppercase ? :No ; Default Value :0 ;
150 POINTER_X
X pointer fraction (may be null)
Optional ? :Yes ; Float (126) ;() ; ; Uppercase ? :No ; Default Value :0 ;
160 POINTER_Y
Y pointer fraction (may be null)
Optional ? :Yes ; Float (126) ;() ; ; Uppercase ? :No ; Default Value :0 ;
170 POINTER_COLOUR
For future expansion
Optional ? :Yes ; Number () ;() ; ; Uppercase ? :No ; Default Value :0 ;
180 EXTRA_DATA
Miscellaneous extra stuff
Optional ? :Yes ; Varchar2 (2000) ;() ; ; Uppercase ? :No ;
190 ENTERPRISE_ID
Owning enterprise
Optional ? :Yes ; Number () ;() ; ; Uppercase ? :No ; Default Value :0 ;

Table Definition

Container : RetailServer11.1 Version :

Table Name : ENT_RESOURCES Alias :
Display Title :

Comment : Resource editor definitions

Volumes

Start Rows : End Rows :

Storage

Index-organized ? No

Column Summary

<u>Col.Seq.</u>	<u>Column</u>	<u>Nulls ?</u>	<u>Type</u>
10	RES_KEY	NOT NULL	VARCHAR2 (64)
20	RES_PACKAGE	NOT NULL	VARCHAR2 (128)
30	RES_LANG	NOT NULL	VARCHAR2 (32)
40	RES_VALUE	NULL	VARCHAR2 (2000)
50	ENTERPRISE_ID	NOT NULL	NUMBER ()

Primary Key

<u>Name</u>	<u>Column</u>
PK_ENT_RESOURCES	ENTERPRISE_ID RES_PACKAGE RES_LANG RES_KEY

Index Summary

<u>Name</u>	<u>Seq.</u>	<u>Column</u>	<u>Index Type</u>
ENT_RES_I1	1	ENTERPRISE_ID	NOT UNIQUE

Column Detail

10	RES_KEY	Resource key Optional ? :No ; Varchar2 (64) ;() ; ; Uppercase ? :No ;
20	RES_PACKAGE	Lookup package Optional ? :No ; Varchar2 (128) ;() ; ; Uppercase ? :No ;
30	RES_LANG	Language code Optional ? :No ; Varchar2 (32) ;() ; ; Uppercase ? :No ;
40	RES_VALUE	Value override

Table Definition

Container : RetailServer11.1 Version :

Column Detail

Optional ? :Yes ; Varchar2 (2000) ;() ; ; Uppercase ? :No ;

50 ENTERPRISE_ID

Owning enterprise

Optional ? :No ; Number () ;() ; ; Uppercase ? :No ; Default Value :0 ;

Table Definition

Container : RetailServer11.1 Version :

Table Name : ENT_SEASONS Alias :
Display Title :

Comment : Seasons

Volumes

Start Rows : End Rows :

Storage

Index-organized ? No

Column Summary

<u>Col.Seq.</u>	<u>Column</u>	<u>Nulls ?</u>	<u>Type</u>
10	SEASON_ID	NOT NULL	NUMBER ()
20	SEASON_NAME	NULL	VARCHAR2 (64)
30	SEASON_CODE	NULL	VARCHAR2 (16)
40	SEASON_START	NULL	NUMBER ()
50	SEASON_END	NULL	NUMBER ()
60	ENTERPRISE_ID	NULL	NUMBER ()

Primary Key

<u>Name</u>	<u>Column</u>
PK_ENT_SEASONS	SEASON_ID

Index Summary

<u>Name</u>	<u>Seq.</u>	<u>Column</u>	<u>Index Type</u>
ENT_SEAS_I1	1	ENTERPRISE_ID	NOT UNIQUE

Column Detail

10	SEASON_ID	Unique ID	Optional ? :No ; Number () ;() ; ; Uppercase ? :No ; Default Value :0 ;
20	SEASON_NAME	Name of season	Optional ? :Yes ; Varchar2 (64) ;() ; ; Uppercase ? :No ;
30	SEASON_CODE	For external application	Optional ? :Yes ; Varchar2 (16) ;() ; ; Uppercase ? :No ;
40	SEASON_START	Start date of season	Optional ? :Yes ; Number () ;() ; ; Uppercase ? :No ; Default Value :0 ;

Table Definition

Container : RetailServer11.1 Version :

Column Detail

50 SEASON_END
End date of season
Optional ? :Yes ; Number () ; () ; ; Uppercase ? :No ; Default Value :0 ;

60 ENTERPRISE_ID
ID of owning enterprise
Optional ? :Yes ; Number () ; () ; ; Uppercase ? :No ; Default Value :0 ;

Table Definition

Container : RetailServer11.1 Version :

Table Name : ENT_SRVUSERTYPES Alias :
Display Title :

Comment : Roles allocated to users

Volumes

Start Rows : End Rows :

Storage

Index-organized ? No

Column Summary

<u>Col.Seq.</u>	<u>Column</u>	<u>Nulls ?</u>	<u>Type</u>
10	USERTYPE_ID	NOT NULL	NUMBER ()
20	SERVICE_ID	NULL	NUMBER ()
30	USER_ID	NOT NULL	NUMBER ()
40	ENTERPRISE_ID	NOT NULL	NUMBER ()
50	GRANTING_ENTERPRISE_ID	NOT NULL	NUMBER ()
60	DENIED	NULL	NUMBER ()

Primary Key

<u>Name</u>	<u>Column</u>
PK_ENT_SRVUSERTYPES	USER_ID USERTYPE_ID GRANTING_ENTERPRISE_ID ENTERPRISE_ID

Index Summary

<u>Name</u>	<u>Seq.</u>	<u>Column</u>	<u>Index Type</u>
ENT_SUT_I1	1	USERTYPE_ID	NOT UNIQUE
ENT_SUT_I2	1	ENTERPRISE_ID	NOT UNIQUE
ENT_SUT_I3	1	GRANTING_ENTERPRISE_ID	NOT UNIQUE

Column Detail

10	USERTYPE_ID	Key from wt_srvusertypes Optional ? :No ; Number () ;() ; ; Uppercase ? :No ; Default Value :0 ;
20	SERVICE_ID	Service identifier Optional ? :Yes ; Number () ;() ; ; Uppercase ? :No ; Default Value :0 ;
30	USER_ID	

Table Definition

Container : RetailServer11.1 Version :

Column Detail

ent_users key

Optional ? :No ; Number () ; () ; ; Uppercase ? :No ; Default Value :0 ;

40 ENTERPRISE_ID

enterprise of user

Optional ? :No ; Number () ; () ; ; Uppercase ? :No ; Default Value :0 ;

50 GRANTING_ENTERPRISE_ID

granting enterprise or zero for local permission

Optional ? :No ; Number () ; () ; ; Uppercase ? :No ; Default Value :0 ;

60 DENIED

Non-zero if this is a 'deny' permission

Optional ? :Yes ; Number () ; () ; ; Uppercase ? :No ; Default Value :0 ;

Table Definition

Container : RetailServer11.1 Version :

Table Name : ENT_TRANSUSERS Alias :
Display Title :

Comment : Transporter user data

Volumes

Start Rows : End Rows :

Storage

Index-organized ? No

Column Summary

<u>Col.Seq.</u>	<u>Column</u>	<u>Nulls ?</u>	<u>Type</u>
10	USER_ID	NOT NULL	NUMBER ()
20	TRANSPORTER_KEY	NOT NULL	VARCHAR2 (64)
30	REMOTE_USERNAME	NULL	VARCHAR2 (64)
40	REMOTE_PASSWORD	NULL	VARCHAR2 (50)
50	ENTERPRISE_ID	NULL	NUMBER ()
60	CUSTOM1	NULL	VARCHAR2 (64)
70	CUSTOM2	NULL	VARCHAR2 (64)
80	CUSTOM3	NULL	VARCHAR2 (64)
90	CUSTOM4	NULL	VARCHAR2 (64)
100	CUSTOM5	NULL	VARCHAR2 (64)
110	CUSTOM6	NULL	VARCHAR2 (64)
120	CUSTOM7	NULL	VARCHAR2 (64)
130	CUSTOM8	NULL	VARCHAR2 (64)

Primary Key

<u>Name</u>	<u>Column</u>
PK_ENT_TRANSUSERS	USER_ID TRANSPORTER_KEY

Index Summary

<u>Name</u>	<u>Seq.</u>	<u>Column</u>	<u>Index Type</u>
ENT_TRXU_I1	1	ENTERPRISE_ID	NOT UNIQUE

Column Detail

10	USER_ID	Reference to ent_users table Optional ? :No ; Number () ; () ; ; Uppercase ? :No ; Default Value :0 ;
20	TRANSPORTER_KEY	

Table Definition

Container : RetailServer11.1 Version :

Column Detail

Reference to transporter services

Optional ? :No ; Varchar2 (64) ;() ; ; Uppercase ? :No ;

30 REMOTE_USERNAME

Username in remote service

Optional ? :Yes ; Varchar2 (64) ;() ; ; Uppercase ? :No ;

40 REMOTE_PASSWORD

Password in remote service

Optional ? :Yes ; Varchar2 (50) ;() ; ; Uppercase ? :No ;

50 ENTERPRISE_ID

User's enterprise for checks

Optional ? :Yes ; Number () ;() ; ; Uppercase ? :No ; Default Value :0 ;

60 CUSTOM1

Eight custom entry fields

Optional ? :Yes ; Varchar2 (64) ;() ; ; Uppercase ? :No ;

70 CUSTOM2

Optional ? :Yes ; Varchar2 (64) ;() ; ; Uppercase ? :No ;

80 CUSTOM3

Optional ? :Yes ; Varchar2 (64) ;() ; ; Uppercase ? :No ;

90 CUSTOM4

Optional ? :Yes ; Varchar2 (64) ;() ; ; Uppercase ? :No ;

100 CUSTOM5

Optional ? :Yes ; Varchar2 (64) ;() ; ; Uppercase ? :No ;

110 CUSTOM6

Optional ? :Yes ; Varchar2 (64) ;() ; ; Uppercase ? :No ;

120 CUSTOM7

Optional ? :Yes ; Varchar2 (64) ;() ; ; Uppercase ? :No ;

130 CUSTOM8

Optional ? :Yes ; Varchar2 (64) ;() ; ; Uppercase ? :No ;

Table Definition

Container : RetailServer11.1 Version :

Table Name : ENT_USERS Alias :
Display Title :

Comment : Enterprise users

Volumes

Start Rows : End Rows :

Storage

Index-organized ? No

Column Summary

<u>Col.Seq.</u>	<u>Column</u>	<u>Nulls ?</u>	<u>Type</u>
10	USER_ID	NOT NULL	NUMBER ()
20	USERNAME	NULL	VARCHAR2 (16)
30	REAL_USERNAME	NULL	VARCHAR2 (16)
40	PASSWORD	NULL	VARCHAR2 (128)
50	FIRSTNAME	NULL	VARCHAR2 (32)
60	LASTNAME	NULL	VARCHAR2 (32)
70	REAL_EMAIL	NULL	VARCHAR2 (64)
80	TYPE_ID	NULL	NUMBER ()
90	ACCT_MANAGER	NULL	NUMBER ()
100	LOCATION_ID	NULL	NUMBER ()
110	ADDRESS_INFO	NULL	VARCHAR2 (2000)
120	COUNTRY_ID	NULL	NUMBER ()
130	ADMIN_TYPE	NULL	NUMBER ()
140	USER_FLAGS	NULL	NUMBER ()
150	DEPARTMENT_LIST	NULL	VARCHAR2 (2000)
160	SERVICE_LIST	NULL	VARCHAR2 (2000)
170	USER_PREFERENCES	NULL	VARCHAR2 (2000)
180	USER_COMMENTS	NULL	VARCHAR2 (2000)
190	ENTERPRISE_ID	NULL	NUMBER ()
200	PASSWORD_TIME	NULL	NUMBER ()
210	ACCOUNT_STATUS	NULL	NUMBER ()
220	LOCKOUT_UNTIL	NULL	NUMBER ()
230	PREFERRED_LANGUAGE	NULL	VARCHAR2 (16)
240	LOCAL_TYPE_ID	NULL	NUMBER ()

Primary Key

<u>Name</u>	<u>Column</u>
PK_ENT_USERS	USER_ID

Container : RetailServer11.1 Version :

Index Summary

<u>Name</u>	<u>Seq.</u>	<u>Column</u>	<u>Index Type</u>
ENT_U1	1	USERNAME	NOT UNIQUE
ENT_U2	1	ENTERPRISE_ID	NOT UNIQUE

Column Detail

10 USER_ID
Unique key referenced elsewhere
Optional ? :No ; Number () ; () ; ; Uppercase ? :No ; Default Value :0 ;

20 USERNAME
Case-insensitive user name
Optional ? :Yes ; Varchar2 (16) ; () ; ; Uppercase ? :No ;

30 REAL_USERNAME
Display form of name
Optional ? :Yes ; Varchar2 (16) ; () ; ; Uppercase ? :No ;

40 PASSWORD
Case-insensitive password
Optional ? :Yes ; Varchar2 (128) ; () ; ; Uppercase ? :No ;

50 FIRSTNAME
Users first name
Optional ? :Yes ; Varchar2 (32) ; () ; ; Uppercase ? :No ;

60 LASTNAME
Users last name
Optional ? :Yes ; Varchar2 (32) ; () ; ; Uppercase ? :No ;

70 REAL_EMAIL
Display e-mail
Optional ? :Yes ; Varchar2 (64) ; () ; ; Uppercase ? :No ;

80 TYPE_ID
Role
Optional ? :Yes ; Number () ; () ; ; Uppercase ? :No ; Default Value :0 ;

90 ACCT_MANAGER
1 for outward looking user
Optional ? :Yes ; Number () ; () ; ; Uppercase ? :No ; Default Value :0 ;

100 LOCATION_ID
Refers to location for this enterprise
Optional ? :Yes ; Number () ; () ; ; Uppercase ? :No ; Default Value :0 ;

110 ADDRESS_INFO
Coded address info, allows for expansion later
Optional ? :Yes ; Varchar2 (2000) ; () ; ; Uppercase ? :No ;

120 COUNTRY_ID

Table Definition

Container : RetailServer11.1 Version :

Column Detail

```

Country
Optional ? :Yes ; Number ( ) ;( ) ; ; Uppercase ? :No ; Default Value :0 ;
130 ADMIN_TYPE
0: normal user; 1: initial admin (protected); 2: other admin
Optional ? :Yes ; Number ( ) ;( ) ; ; Uppercase ? :No ; Default Value :0 ;
140 USER_FLAGS
Java/HTML, etc
Optional ? :Yes ; Number ( ) ;( ) ; ; Uppercase ? :No ; Default Value :0 ;
150 DEPARTMENT_LIST
Departments
Optional ? :Yes ; Varchar2 (2000) ;( ) ; ; Uppercase ? :No ;
160 SERVICE_LIST
List of service.generation pairs
Optional ? :Yes ; Varchar2 (2000) ;( ) ; ; Uppercase ? :No ;
170 USER_PREFERENCES
General prefs stuff
Optional ? :Yes ; Varchar2 (2000) ;( ) ; ; Uppercase ? :No ;
180 USER_COMMENTS
Notes set by administrator
Optional ? :Yes ; Varchar2 (2000) ;( ) ; ; Uppercase ? :No ;
190 ENTERPRISE_ID
Owning enterprise!
Optional ? :Yes ; Number ( ) ;( ) ; ; Uppercase ? :No ; Default Value :0 ;
200 PASSWORD_TIME
GMT time of last password change. Zero always means change immediately
Optional ? :Yes ; Number ( ) ;( ) ; ; Uppercase ? :No ; Default Value :0 ;
210 ACCOUNT_STATUS
Normal, temporary lock, permanent lock, etc
Optional ? :Yes ; Number ( ) ;( ) ; ; Uppercase ? :No ; Default Value :0 ;
220 LOCKOUT_UNTIL
Expiry time of lockout
Optional ? :Yes ; Number ( ) ;( ) ; ; Uppercase ? :No ; Default Value :0 ;
230 PREFERRED_LANGUAGE
Language override
Optional ? :Yes ; Varchar2 (16) ;( ) ; ; Uppercase ? :No ;
240 LOCAL_TYPE_ID
Local type ID - may replace type_id
Optional ? :Yes ; Number ( ) ;( ) ; ; Uppercase ? :No ; Default Value :0 ;

```

Table Definition

Container : RetailServer11.1 Version :

Table Name : ENT_WORKFLOWHISTORY Alias :
Display Title :

Comment : Workflow update history

Volumes

Start Rows : End Rows :

Storage

Index-organized ? No

Column Summary

<u>Col.Seq.</u>	<u>Column</u>	<u>Nulls ?</u>	<u>Type</u>
10	HISTORY_ID	NOT NULL	NUMBER ()
20	STATE_ID	NULL	NUMBER ()
30	STATE_NAME	NULL	VARCHAR2 (50)
40	APPLICATION	NULL	NUMBER ()
50	APPLICATION_KEY	NULL	NUMBER ()
60	APPLICATION_FILTER	NULL	NUMBER ()
70	USER_ID	NULL	NUMBER ()
80	ENTRY_DATE	NULL	NUMBER ()
90	ENTRY_TEXT	NULL	VARCHAR2 (2000)
100	ENTERPRISE_ID	NULL	NUMBER ()

Primary Key

<u>Name</u>	<u>Column</u>
PK_ENT_WORKFLOWHISTORY	HISTORY_ID

Index Summary

<u>Name</u>	<u>Seq.</u>	<u>Column</u>	<u>Index Type</u>
ENT_WKFH_I1	1	APPLICATION_KEY	NOT UNIQUE
ENT_WKFH_I2	1	APPLICATION	NOT UNIQUE
ENT_WKFH_I3	1	ENTERPRISE_ID	NOT UNIQUE

Column Detail

10	HISTORY_ID	Optional ? :No ; Number () ;() ; ; Uppercase ? :No ; Default Value :0 ;
20	STATE_ID	Refers back to ent_workflowststates Optional ? :Yes ; Number () ;() ; ; Uppercase ? :No ; Default Value :0 ;

Table Definition

Container : RetailServer11.1 Version :

Column Detail

30 STATE_NAME
Copied from states table
Optional ? :Yes ; Varchar2 (50) ;() ; ; Uppercase ? :No ;

40 APPLICATION
Internal application code
Optional ? :Yes ; Number () ;() ; ; Uppercase ? :No ; Default Value :0 ;

50 APPLICATION_KEY
Application specific key (style id for example)
Optional ? :Yes ; Number () ;() ; ; Uppercase ? :No ; Default Value :0 ;

60 APPLICATION_FILTER
Can differentiate between different trails for same enterprise
Optional ? :Yes ; Number () ;() ; ; Uppercase ? :No ; Default Value :0 ;

70 USER_ID
User making change
Optional ? :Yes ; Number () ;() ; ; Uppercase ? :No ; Default Value :0 ;

80 ENTRY_DATE
Date entry
Optional ? :Yes ; Number () ;() ; ; Uppercase ? :No ; Default Value :0 ;

90 ENTRY_TEXT
Comments
Optional ? :Yes ; Varchar2 (2000) ;() ; ; Uppercase ? :No ;

100 ENTERPRISE_ID
Also identifies trail (id will be retailer or supplier)
Optional ? :Yes ; Number () ;() ; ; Uppercase ? :No ; Default Value :0 ;

Table Definition

Container : RetailServer11.1 Version :

Table Name : ENT_WORKFLOWSTATES Alias :
Display Title :

Comment : Workflow states

Volumes

Start Rows : End Rows :

Storage

Index-organized ? No

Column Summary

<u>Col.Seq.</u>	<u>Column</u>	<u>Nulls ?</u>	<u>Type</u>
10	STATE_ID	NOT NULL	NUMBER ()
20	STATE_NAME	NULL	VARCHAR2 (64)
30	STATE_ROLE	NULL	NUMBER ()
40	STATE_DESCRIPTION	NULL	VARCHAR2 (2000)
50	APPLICATION	NULL	NUMBER ()
60	STATE_ORDER	NULL	NUMBER ()
70	ENTERPRISE_ID	NULL	NUMBER ()
80	STATE_DATA	NULL	NUMBER ()

Primary Key

<u>Name</u>	<u>Column</u>
PK_ENT_WORKFLOWSTATES	STATE_ID

Index Summary

<u>Name</u>	<u>Seq.</u>	<u>Column</u>	<u>Index Type</u>
ENT_WKF_I1	1	ENTERPRISE_ID	NOT UNIQUE

Column Detail

10	STATE_ID	Optional ? :No ; Number () ;() ; ; Uppercase ? :No ; Default Value :0 ;
20	STATE_NAME	Optional ? :Yes ; Varchar2 (64) ;() ; ; Uppercase ? :No ;
30	STATE_ROLE	1 = customer, 2 = supplier Optional ? :Yes ; Number () ;() ; ; Uppercase ? :No ; Default Value :0 ;
40	STATE_DESCRIPTION	Description display Optional ? :Yes ; Varchar2 (2000) ;() ; ; Uppercase ? :No ;

Table Definition

Container : RetailServer11.1 Version :

Column Detail

50 APPLICATION

Application ID

Optional ? :Yes ; Number () ; () ; ; Uppercase ? :No ; Default Value :0 ;

60 STATE_ORDER

Ordering

Optional ? :Yes ; Number () ; () ; ; Uppercase ? :No ; Default Value :0 ;

70 ENTERPRISE_ID

Optional ? :Yes ; Number () ; () ; ; Uppercase ? :No ; Default Value :0 ;

80 STATE_DATA

Misc data, may be null

Optional ? :Yes ; Number () ; () ; ; Uppercase ? :No ; Default Value :0 ;

Table Definition

Container : RetailServer11.1 Version :

Table Name : EVENTNAMES Alias :
Display Title :

Comment : Webtrack event names

Volumes

Start Rows : End Rows :

Storage

Index-organized ? No

Column Summary

<u>Col.Seq.</u>	<u>Column</u>	<u>Nulls ?</u>	<u>Type</u>
10	EVENTNAMEID	NOT NULL	NUMBER ()
20	EVENTNAME	NULL	VARCHAR2 (50)
30	EVENTDESCRIPTION	NULL	VARCHAR2 (128)
40	EVENTTYPE	NULL	NUMBER ()
50	ENTERPRISE_ID	NULL	NUMBER ()
60	TEMPLATE_ID	NULL	NUMBER ()

Primary Key

<u>Name</u>	<u>Column</u>
PK_EVENTNAMES	EVENTNAMEID

Index Summary

<u>Name</u>	<u>Seq.</u>	<u>Column</u>	<u>Index Type</u>
EVNS_I1	1	ENTERPRISE_ID	NOT UNIQUE

Column Detail

10	EVENTNAMEID	Optional ? :No ; Number () ;() ; ; Uppercase ? :No ; Default Value :0 ;
20	EVENTNAME	Optional ? :Yes ; Varchar2 (50) ;() ; ; Uppercase ? :No ;
30	EVENTDESCRIPTION	Optional ? :Yes ; Varchar2 (128) ;() ; ; Uppercase ? :No ;
40	EVENTTYPE	Optional ? :Yes ; Number () ;() ; ; Uppercase ? :No ; Default Value :0 ;
50	ENTERPRISE_ID	Optional ? :Yes ; Number () ;() ; ; Uppercase ? :No ; Default Value :0 ;
60	TEMPLATE_ID	

Table Definition

Container : RetailServer11.1 Version :

Column Detail

ID of owning template, if any

Optional ? :Yes ; Number () ; () ; ; Uppercase ? :No ; Default Value :0 ;

Table Definition

Container : RetailServer11.1 Version :

Index Summary

<u>Name</u>	<u>Seq.</u>	<u>Column</u>	<u>Index Type</u>
EVS_I1	1	PATHID	NOT UNIQUE
EVS_I2	1	SUPPLIERID	NOT UNIQUE
EVS_I3	1	ENTERPRISE_ID	NOT UNIQUE

Column Detail

10	PATHID	refers to entry in critical paths Optional ? :Yes ; Number () ; () ; ; Uppercase ? :No ; Default Value :0 ;
20	EVENTID	entry within a path; not a primary key since has duplicates Optional ? :No ; Number () ; () ; ; Uppercase ? :No ; Default Value :0 ;
30	SUPPLIERID	Optional ? :Yes ; Number () ; () ; ; Uppercase ? :No ; Default Value :0 ;
40	EVENTDURATION	Duration of event in days Optional ? :Yes ; Number () ; () ; ; Uppercase ? :No ; Default Value :0 ;
50	PLANDATE	Plan date computed from days to sale, Unix timestamp. Optional ? :Yes ; Number () ; () ; ; Uppercase ? :No ; Default Value :0 ;
60	COMMITDATE	Commit date set by supplier on draft confirm Optional ? :Yes ; Number () ; () ; ; Uppercase ? :No ; Default Value :0 ;
70	ACTUALDATE	Actual date set by supplier on event completion Optional ? :Yes ; Number () ; () ; ; Uppercase ? :No ; Default Value :0 ;
80	SUPPLIERCOMMENT	Supplier comment on slip Optional ? :Yes ; Varchar2 (64) ; () ; ; Uppercase ? :No ;
90	BUYERCOMMENT	Similar comment from buyer Optional ? :Yes ; Varchar2 (64) ; () ; ; Uppercase ? :No ;
100	DONE	0 if not complete, 1 if complete Optional ? :Yes ; Number () ; () ; ; Uppercase ? :No ; Default Value :0 ;
110	DESCRIPTION	Textual description Optional ? :Yes ; Varchar2 (255) ; () ; ; Uppercase ? :No ;
120	TYPE	

Table Definition

Container : RetailServer11.1 Version :

Column Detail

```

Optional ? :Yes ; Number ( ) ;( ) ; ; Uppercase ? :No ; Default Value :0 ;
130 DAYSBEFOREAMBER
Days late before amber alert, 0 means NEVER
Optional ? :Yes ; Number ( ) ;( ) ; ; Uppercase ? :No ; Default Value :0 ;
140 DAYSBEFORERED
Days late before red alert, 0 means NEVER
Optional ? :Yes ; Number ( ) ;( ) ; ; Uppercase ? :No ; Default Value :0 ;
150 DAYSBEFORESALE
Days before on sale date
Optional ? :Yes ; Number ( ) ;( ) ; ; Uppercase ? :No ; Default Value :0 ;
160 SERIAL
0 = not serial, 1 = serial
Optional ? :Yes ; Number ( ) ;( ) ; ; Uppercase ? :No ; Default Value :0 ;
170 AMBERALERTED
Optional ? :Yes ; Number ( ) ;( ) ; ; Uppercase ? :No ; Default Value :0 ;
180 REDALERTED
Optional ? :Yes ; Number ( ) ;( ) ; ; Uppercase ? :No ; Default Value :0 ;
190 SPECIAL
Final? Hidden? Needs refinement?
Optional ? :Yes ; Number ( ) ;( ) ; ; Uppercase ? :No ; Default Value :0 ;
200 EVENTNAMEID
Optional ? :Yes ; Number ( ) ;( ) ; ; Uppercase ? :No ; Default Value :0 ;
210 REMINDERSENT
Reminder message sent?
Optional ? :Yes ; Number ( ) ;( ) ; ; Uppercase ? :No ; Default Value :0 ;
220 RESPONSIBLE
Responsibility code
Optional ? :Yes ; Number ( ) ;( ) ; ; Uppercase ? :No ; Default Value :0 ;
230 ENTERPRISE_ID
Optional ? :Yes ; Number ( ) ;( ) ; ; Uppercase ? :No ; Default Value :0 ;

```

Table Definition

Container : RetailServer11.1 Version :

Table Name : FOLDERINFO Alias :
 Display Title :
 Comment : Folder definitions (templates, images, etc)

Volumes

Start Rows : End Rows :

Storage

Index-organized ? No

Column Summary

<u>Col.Seq.</u>	<u>Column</u>	<u>Nulls ?</u>	<u>Type</u>
10	FOLDERINFOID	NOT NULL	NUMBER ()
20	DATATYPE	NULL	VARCHAR2 (16)
30	FILTER	NULL	VARCHAR2 (32)
40	PARENTID	NULL	NUMBER ()
50	FOLDERNAME	NULL	VARCHAR2 (64)
60	ENTERPRISE_ID	NULL	NUMBER ()
70	OWNERID	NULL	NUMBER ()

Primary Key

<u>Name</u>	<u>Column</u>
PK_FOLDERINFO	FOLDERINFOID

Index Summary

<u>Name</u>	<u>Seq.</u>	<u>Column</u>	<u>Index Type</u>
FINFO1	1	DATATYPE	NOT UNIQUE
FINFO1	2	FILTER	NOT UNIQUE
FINFO2	1	ENTERPRISE_ID	NOT UNIQUE

Column Detail

10 FOLDERINFOID
 Unique ID
 Optional ? :No ; Number () ;() ; ; Uppercase ? :No ; Default Value :0 ;

20 DATATYPE
 Data type (template, etc)
 Optional ? :Yes ; Varchar2 (16) ;() ; ; Uppercase ? :No ;

30 FILTER
 Filter string to select subsets

Table Definition

Container : RetailServer11.1 Version :

Column Detail

Optional ? :Yes ; Varchar2 (32) ;() ; ; Uppercase ? :No ;

40 PARENTID

Key in this table of parent

Optional ? :Yes ; Number () ;() ; ; Uppercase ? :No ; Default Value :0 ;

50 FOLDERNAME

Name of folder, or null

Optional ? :Yes ; Varchar2 (64) ;() ; ; Uppercase ? :No ;

60 ENTERPRISE_ID

ID of owning enterprise

Optional ? :Yes ; Number () ;() ; ; Uppercase ? :No ; Default Value :0 ;

70 OWNERID

Optional ownership (enterprise identifier)

Optional ? :Yes ; Number () ;() ; ; Uppercase ? :No ; Default Value :0 ;

Table Definition

Container : RetailServer11.1 Version :

Column Detail

20 IMAGENAME
 Short name for list display
 Optional ? :Yes ; Varchar2 (255) ;() ; ; Uppercase ? :No ;

30 IMAGEDESCRIPTION
 Texttual description
 Optional ? :Yes ; Varchar2 (255) ;() ; ; Uppercase ? :No ;

40 IMAGEWIDTH
 Image dimensions
 Optional ? :Yes ; Number () ;() ; ; Uppercase ? :No ; Default Value :0 ;

50 IMAGEHEIGHT
 Image height
 Optional ? :Yes ; Number () ;() ; ; Uppercase ? :No ; Default Value :0 ;

60 IMAGEFILE
 Local file containing image (may use binary large objects one day)
 Optional ? :Yes ; Varchar2 (255) ;() ; ; Uppercase ? :No ;

70 MODIFICATIONTIME
 Mod time of image
 Optional ? :Yes ; Number () ;() ; ; Uppercase ? :No ; Default Value :0 ;

80 DEPARTMENTID
 Now department and
 Optional ? :Yes ; Number () ;() ; ; Uppercase ? :No ; Default Value :0 ;

90 SEASONID
 season specific
 Optional ? :Yes ; Number () ;() ; ; Uppercase ? :No ; Default Value :0 ;

100 IMAGETYPE
 normal image, labal image, presentation, etc.
 Optional ? :Yes ; Number () ;() ; ; Uppercase ? :No ; Default Value :0 ;

110 IMAGESUBTYPE
 Meaning depends on main type
 Optional ? :Yes ; Number () ;() ; ; Uppercase ? :No ; Default Value :0 ;

120 ENTERPRISE_ID
 ID of owning enterprise
 Optional ? :Yes ; Number () ;() ; ; Uppercase ? :No ; Default Value :0 ;

130 STORAGE_INFO
 Infcormation on file type, etc
 Optional ? :Yes ; Number () ;() ; ; Uppercase ? :No ; Default Value :0 ;

140 LOCAL_NAME
 Local file name
 Optional ? :Yes ; Varchar2 (255) ;() ; ; Uppercase ? :No ;

150 PARENTID

Table Definition

Container : RetailServer11.1 Version :

Column Detail

Parent folder ID, zero if not in a folder

Optional ? :Yes ; Number () ; () ; ; Uppercase ? :No ; Default Value :0 ;

Table Definition

Container : RetailServer11.1 Version :

Table Name : ITEMSUPPLIERS Alias :
Display Title :

Comment : Suppliers attached to items

Volumes

Start Rows : End Rows :

Storage

Index-organized ? No

Column Summary

<u>Col.Seq.</u>	<u>Column</u>	<u>Nulls ?</u>	<u>Type</u>
10	ITEMSUPPLIERID	NOT NULL	NUMBER ()
20	PRODUCTID	NULL	NUMBER ()
30	SUPPLIERID	NULL	NUMBER ()
40	ACCOUNTID	NULL	NUMBER ()
50	COUNTRYID	NULL	NUMBER ()
60	FACTORYID	NULL	NUMBER ()
70	ENTERPRISE_ID	NULL	NUMBER ()

Primary Key

<u>Name</u>	<u>Column</u>
PK_ITEMSUPPLIERS	ITEMSUPPLIERID

Index Summary

<u>Name</u>	<u>Seq.</u>	<u>Column</u>	<u>Index Type</u>
ITSP1	1	PRODUCTID	NOT UNIQUE
ITSP2	1	SUPPLIERID	NOT UNIQUE
ITSP3	1	ENTERPRISE_ID	NOT UNIQUE

Column Detail

10	ITEMSUPPLIERID	Usual ID for edit support Optional ? :No ; Number () ;() ; ; Uppercase ? :No ; Default Value :0 ;
20	PRODUCTID	Item reference Optional ? :Yes ; Number () ;() ; ; Uppercase ? :No ; Default Value :0 ;
30	SUPPLIERID	Supplier reference

Table Definition

Container : RetailServer11.1 Version :

Column Detail

```
Optional ? :Yes ; Number ( ) ;( ) ; ; Uppercase ? :No ; Default Value :0 ;
40 ACCOUNTID
Account Manager reference
Optional ? :Yes ; Number ( ) ;( ) ; ; Uppercase ? :No ; Default Value :0 ;
50 COUNTRYID
COO
Optional ? :Yes ; Number ( ) ;( ) ; ; Uppercase ? :No ; Default Value :0 ;
60 FACTORYID
Factory
Optional ? :Yes ; Number ( ) ;( ) ; ; Uppercase ? :No ; Default Value :0 ;
70 ENTERPRISE_ID
Optional ? :Yes ; Number ( ) ;( ) ; ; Uppercase ? :No ; Default Value :0 ;
```

Table Definition

Container : RetailServer11.1 Version :

Table Name : KEYDATA Alias :
Display Title :

Comment : Various design items (class, product type, etc)

Volumes

Start Rows : End Rows :

Storage

Index-organized ? No

Column Summary

<u>Col.Seq.</u>	<u>Column</u>	<u>Nulls ?</u>	<u>Type</u>
10	KEYDATAID	NOT NULL	NUMBER ()
20	ITEMNAME	NULL	VARCHAR2 (50)
30	CLASS	NULL	VARCHAR2 (50)
40	PARENTID	NULL	NUMBER ()
50	DEPARTMENTID	NULL	NUMBER ()
60	SEASONID	NULL	NUMBER ()
70	EXTRADATA	NULL	VARCHAR2 (255)
80	ENTERPRISE_ID	NULL	NUMBER ()

Primary Key

<u>Name</u>	<u>Column</u>
PK_KEYDATA	KEYDATAID

Index Summary

<u>Name</u>	<u>Seq.</u>	<u>Column</u>	<u>Index Type</u>
KEYD_I1	1	ENTERPRISE_ID	NOT UNIQUE
KEYD_I2	1	CLASS	NOT UNIQUE

Column Detail

10	KEYDATAID	Unique ID, as usual Optional ? :No ; Number () ;() ; ; Uppercase ? :No ; Default Value :0 ;
20	ITEMNAME	Display name Optional ? :Yes ; Varchar2 (50) ;() ; ; Uppercase ? :No ;
30	CLASS	Item class (Class, Sub-Class, etc) Optional ? :Yes ; Varchar2 (50) ;() ; ; Uppercase ? :No ;

Table Definition

Container : RetailServer11.1 Version :

Column Detail

40 PARENTID
 Refers to another item in table, or zero
 Optional ? :Yes ; Number () ;() ; ; Uppercase ? :No ; Default Value :0 ;

50 DEPARTMENTID
 Is department
 Optional ? :Yes ; Number () ;() ; ; Uppercase ? :No ; Default Value :0 ;

60 SEASONID
 and season specific
 Optional ? :Yes ; Number () ;() ; ; Uppercase ? :No ; Default Value :0 ;

70 EXTRADATA
 Extra data in arbitrary format
 Optional ? :Yes ; Varchar2 (255) ;() ; ; Uppercase ? :No ;

80 ENTERPRISE_ID
 Optional ? :Yes ; Number () ;() ; ; Uppercase ? :No ; Default Value :0 ;

Table Definition

Container : RetailServer11.1 Version :

Table Name : LABELFIELDS Alias :
Display Title :

Comment : Design label fields

Volumes

Start Rows : End Rows :

Storage

Index-organized ? No

Column Summary

<u>Col.Seq.</u>	<u>Column</u>	<u>Nulls ?</u>	<u>Type</u>
10	LABELFIELDID	NOT NULL	NUMBER ()
20	FIELDNAME	NULL	VARCHAR2 (50)
30	FIELD_COST	NULL	NUMBER ()
40	VALUEGENERATION	NULL	NUMBER ()
50	ENTERPRISE_ID	NULL	NUMBER ()

Primary Key

<u>Name</u>	<u>Column</u>
PK_LABELFIELDS	LABELFIELDID

Index Summary

<u>Name</u>	<u>Seq.</u>	<u>Column</u>	<u>Index Type</u>
LABFLDS_I1	1	ENTERPRISE_ID	NOT UNIQUE

Column Detail

10	LABELFIELDID	Optional ? :No ; Number () ;() ; ; Uppercase ? :No ; Default Value :0 ;
20	FIELDNAME	Optional ? :Yes ; Varchar2 (50) ;() ; ; Uppercase ? :No ;
30	FIELD_COST	In 1000s of a penny Optional ? :Yes ; Number () ;() ; ; Uppercase ? :No ; Default Value :0 ;
40	VALUEGENERATION	Incremented when value is added or deleted Optional ? :Yes ; Number () ;() ; ; Uppercase ? :No ; Default Value :0 ;
50	ENTERPRISE_ID	Optional ? :Yes ; Number () ;() ; ; Uppercase ? :No ; Default Value :0 ;

Table Definition

Container : RetailServer11.1 Version :

Table Name : LABELFIELDVALUES Alias :
Display Title :

Comment : Design label field values

Volumes

Start Rows : End Rows :

Storage

Index-organized ? No

Column Summary

<u>Col.Seq.</u>	<u>Column</u>	<u>Nulls ?</u>	<u>Type</u>
10	FIELDVALUEID	NOT NULL	NUMBER ()
20	LABELFIELDID	NULL	NUMBER ()
30	FIELDTEXT	NULL	VARCHAR2 (255)
40	FIELDICON	NULL	NUMBER ()
50	FIELDVALUE	NULL	NUMBER ()
60	ENTERPRISE_ID	NULL	NUMBER ()

Primary Key

<u>Name</u>	<u>Column</u>
PK_LABELFIELDVALUES	FIELDVALUEID

Index Summary

<u>Name</u>	<u>Seq.</u>	<u>Column</u>	<u>Index Type</u>
LABFLDV_I1	1	ENTERPRISE_ID	NOT UNIQUE

Column Detail

10	FIELDVALUEID	Index made from value offset and field id Optional ? :No ; Number () ;() ; ; Uppercase ? :No ; Default Value :0 ;
20	LABELFIELDID	ID of owning field Optional ? :Yes ; Number () ;() ; ; Uppercase ? :No ; Default Value :0 ;
30	FIELDTEXT	Optional ? :Yes ; Varchar2 (255) ;() ; ; Uppercase ? :No ;
40	FIELDICON	Optional ? :Yes ; Number () ;() ; ; Uppercase ? :No ; Default Value :0 ;
50	FIELDVALUE	

Table Definition

Container : RetailServer11.1 Version :

Column Detail

Optional ? :Yes ; Number () ;() ; ; Uppercase ? :No ; Default Value :0 ;

60 ENTERPRISE_ID

Optional ? :Yes ; Number () ;() ; ; Uppercase ? :No ; Default Value :0 ;

Table Definition

Container : RetailServer11.1 Version :

Column Detail

```

Optional ? :Yes ; Varchar2 (32) ;() ; ; Uppercase ? :No ;
30  SHORTNAME
    Name shown in list in mail admin
Optional ? :Yes ; Varchar2 (50) ;() ; ; Uppercase ? :No ;
40  DESCRIPTION
    Description of message type
Optional ? :Yes ; Varchar2 (255) ;() ; ; Uppercase ? :No ;
50  SUBJECT
    Subject string
Optional ? :Yes ; Varchar2 (64) ;() ; ; Uppercase ? :No ;
60  MAILTEXT
    Message text
Optional ? :Yes ; Varchar2 (2000) ;() ; ; Uppercase ? :No ;
70  MAILTO
    Coded destination settings
Optional ? :Yes ; Number () ;() ; ; Uppercase ? :No ; Default Value :0 ;
80  GROUPID
    ID of mail used for grouping this message type
Optional ? :Yes ; Number () ;() ; ; Uppercase ? :No ; Default Value :0 ;
90  GROUPLOOKUP
    Lookup code instead of GroupID
Optional ? :Yes ; Varchar2 (32) ;() ; ; Uppercase ? :No ;
100 MAILTYPE
    0 for standard mail, 1 for group
Optional ? :Yes ; Number () ;() ; ; Uppercase ? :No ; Default Value :0 ;
110 APPLICATION
    0 for generic, otherwise application name
Optional ? :Yes ; Number () ;() ; ; Uppercase ? :No ; Default Value :0 ;
120 ENTERPRISE_ID
    ID of owning enterprise
Optional ? :Yes ; Number () ;() ; ; Uppercase ? :No ; Default Value :0 ;

```


Table Definition

Container : RetailServer11.1 Version :

Table Name : MATRICES Alias :
Display Title :

Comment : Old-style spec sheet matrix/forms (not used with XML)

Volumes

Start Rows : End Rows :

Storage

Index-organized ? No

Column Summary

<u>Col.Seq.</u>	<u>Column</u>	<u>Nulls ?</u>	<u>Type</u>
10	MATRIXID	NOT NULL	NUMBER ()
20	MATRIXNAME	NULL	VARCHAR2 (64)
30	DESCRIPTION	NULL	VARCHAR2 (64)
40	COLUMNCOUNT	NULL	NUMBER ()
50	ROWCOUNT	NULL	NUMBER ()
60	WIDTHS	NULL	VARCHAR2 (255)
70	ISMATRIX	NULL	NUMBER ()
80	ENTERPRISE_ID	NULL	NUMBER ()
90	APPCODE	NULL	VARCHAR2 (32)
100	IMAGENAMES	NULL	VARCHAR2 (2000)

Primary Key

<u>Name</u>	<u>Column</u>
PK_MATRICES	MATRIXID

Index Summary

<u>Name</u>	<u>Seq.</u>	<u>Column</u>	<u>Index Type</u>
MATRIX_I1	1	MATRIXNAME	NOT UNIQUE
MATRIX_I2	1	ENTERPRISE_ID	NOT UNIQUE
MATRIX_I3	1	APPCODE	NOT UNIQUE

Column Detail

10	MATRIXID	Optional ? :No ; Number () ;() ; ; Uppercase ? :No ; Default Value :0 ;
20	MATRIXNAME	Lookup name Optional ? :Yes ; Varchar2 (64) ;() ; ; Uppercase ? :No ;

Table Definition

Container : RetailServer11.1 Version :

Column Detail

```
30  DESCRIPTION
    Textual description, may be used in GUI
    Optional ? :Yes ; Varchar2 (64) ;() ; ; Uppercase ? :No ;

40  COLUMNCOUNT
    Number of columns
    Optional ? :Yes ; Number () ;() ; ; Uppercase ? :No ; Default Value :0 ;

50  ROWCOUNT
    Minumum row count
    Optional ? :Yes ; Number () ;() ; ; Uppercase ? :No ; Default Value :0 ;

60  WIDTHS
    Space separated column widths
    Optional ? :Yes ; Varchar2 (255) ;() ; ; Uppercase ? :No ;

70  ISMATRIX
    0 for panel form, 1 for matrix form
    Optional ? :Yes ; Number () ;() ; ; Uppercase ? :No ; Default Value :0 ;

80  ENTERPRISE_ID
    Optional ? :Yes ; Number () ;() ; ; Uppercase ? :No ; Default Value :0 ;

90  APPCODE
    Application code
    Optional ? :Yes ; Varchar2 (32) ;() ; ; Uppercase ? :No ;

100 IMAGENAMES
    List of picture names for clean-up support
    Optional ? :Yes ; Varchar2 (2000) ;() ; ; Uppercase ? :No ;
```

Table Definition

Container : RetailServer11.1 Version :

Table Name : MATRIXMAP Alias :
Display Title :

Comment : Mapped items in spec sheets

Volumes

Start Rows : End Rows :

Storage

Index-organized ? No

Column Summary

<u>Col.Seq.</u>	<u>Column</u>	<u>Nulls ?</u>	<u>Type</u>
10	QFORMTYPE	NOT NULL	NUMBER ()
20	APPCODE	NOT NULL	VARCHAR2 (32)
30	MATRIXID	NOT NULL	NUMBER ()
40	MAP_NAME	NOT NULL	VARCHAR2 (64)
50	ITEM_TYPE	NULL	NUMBER ()
60	ROW_NUMBER	NULL	NUMBER ()
70	COL_NUMBER	NULL	NUMBER ()
80	DATA_TYPE	NULL	VARCHAR2 (32)
90	ENTERPRISE_ID	NOT NULL	NUMBER ()
100	CELL_NAME	NULL	VARCHAR2 (64)

Primary Key

<u>Name</u>	<u>Column</u>
PK_MATRIXMAP	QFORMTYPE APPCODE MATRIXID MAP_NAME ENTERPRISE_ID

Column Detail

10	QFORMTYPE	Identifies form type Optional ? :No ; Number () ;() ; ; Uppercase ? :No ; Default Value :0 ;
20	APPCODE	Application code Optional ? :No ; Varchar2 (32) ;() ; ; Uppercase ? :No ;
30	MATRIXID	ID to identify data Optional ? :No ; Number () ;() ; ; Uppercase ? :No ; Default Value :0 ;
40	MAP_NAME	

Table Definition

Container : RetailServer11.1 Version :

Column Detail

External name of mapped item

Optional ? :No ; Varchar2 (64) ;() ; ; Uppercase ? :No ;

50 ITEM_TYPE

Identifies mapping to cell, row, column or form.

Optional ? :Yes ; Number () ;() ; ; Uppercase ? :No ; Default Value :0 ;

60 ROW_NUMBER

Row number, or number of rows

Optional ? :Yes ; Number () ;() ; ; Uppercase ? :No ; Default Value :0 ;

70 COL_NUMBER

Column number, or number of columns

Optional ? :Yes ; Number () ;() ; ; Uppercase ? :No ; Default Value :0 ;

80 DATA_TYPE

Data type (text, float, date etc)

Optional ? :Yes ; Varchar2 (32) ;() ; ; Uppercase ? :No ;

90 ENTERPRISE_ID

Optional ? :No ; Number () ;() ; ; Uppercase ? :No ; Default Value :0 ;

100 CELL_NAME

Associated cell name for external linkage

Optional ? :Yes ; Varchar2 (64) ;() ; ; Uppercase ? :No ;

Table Definition

Container : RetailServer11.1 Version :

Table Name : MATRIXROWS Alias :
Display Title :

Comment : Stored spec sheet data

Volumes

Start Rows : End Rows :

Storage

Index-organized ? No

Column Summary

<u>Col.Seq.</u>	<u>Column</u>	<u>Nulls ?</u>	<u>Type</u>
10	MATRIXROWID	NULL	NUMBER ()
20	MATRIXID	NULL	NUMBER ()
30	WORKSHEETID	NULL	NUMBER ()
40	INDEXNUMBER	NULL	NUMBER ()
50	ROWORDER	NULL	NUMBER ()
60	COLUMN1	NULL	VARCHAR2 (2000)
70	COLUMN2	NULL	VARCHAR2 (2000)
80	COLUMN3	NULL	VARCHAR2 (2000)
90	COLUMN4	NULL	VARCHAR2 (2000)
100	COLUMN5	NULL	VARCHAR2 (2000)
110	COLUMN6	NULL	VARCHAR2 (2000)
120	COLUMN7	NULL	VARCHAR2 (2000)
130	COLUMN8	NULL	VARCHAR2 (2000)
140	COLUMN9	NULL	VARCHAR2 (2000)
150	COLUMN10	NULL	VARCHAR2 (2000)
160	COLUMN11	NULL	VARCHAR2 (2000)
170	COLUMN12	NULL	VARCHAR2 (2000)
180	COLUMN13	NULL	VARCHAR2 (2000)
190	COLUMN14	NULL	VARCHAR2 (2000)
200	COLUMN15	NULL	VARCHAR2 (2000)
210	COLUMN16	NULL	VARCHAR2 (2000)
220	ENTERPRISE_ID	NULL	NUMBER ()
230	APPCODE	NULL	VARCHAR2 (32)
240	APPKEY	NULL	VARCHAR2 (16)

Column Detail

10 MATRIXROWID
Matrix use index for data store; zero for template store
Optional ? :Yes ; Number () ; () ; ; Uppercase ? :No ; Default Value :0 ;

20

Table Definition

Container : RetailServer11.1 Version :

Index Summary

<u>Name</u>	<u>Seq.</u>	<u>Column</u>	<u>Index Type</u>
MXROWS_I1	1	MATRIXID	NOT UNIQUE
MXROWS_I2	1	WORKSHEETID	NOT UNIQUE
MXROWS_I3	1	INDEXNUMBER	NOT UNIQUE
MXROWS_I4	1	ENTERPRISE_ID	NOT UNIQUE
MXROWS_I5	1	APPCODE	NOT UNIQUE

Column Detail

MATRIXID

Refers to matrices table

Optional ? :Yes ; Number () ; () ; ; Uppercase ? :No ; Default Value :0 ;

30 WORKSHEETID

ID of owner if used as real value

Optional ? :Yes ; Number () ; () ; ; Uppercase ? :No ; Default Value :0 ;

40 INDEXNUMBER

Allows multiple use of maxtix in single worksheet

Optional ? :Yes ; Number () ; () ; ; Uppercase ? :No ; Default Value :0 ;

50 ROWORDER

Defines ordering of rows; allows row order to be changed whilst keeping data consistent

Optional ? :Yes ; Number () ; () ; ; Uppercase ? :No ; Default Value :0 ;

60 COLUMN1

Optional ? :Yes ; Varchar2 (2000) ; () ; ; Uppercase ? :No ;

70 COLUMN2

Optional ? :Yes ; Varchar2 (2000) ; () ; ; Uppercase ? :No ;

80 COLUMN3

Optional ? :Yes ; Varchar2 (2000) ; () ; ; Uppercase ? :No ;

90 COLUMN4

Optional ? :Yes ; Varchar2 (2000) ; () ; ; Uppercase ? :No ;

100 COLUMN5

Optional ? :Yes ; Varchar2 (2000) ; () ; ; Uppercase ? :No ;

110 COLUMN6

Optional ? :Yes ; Varchar2 (2000) ; () ; ; Uppercase ? :No ;

120 COLUMN7

Optional ? :Yes ; Varchar2 (2000) ; () ; ; Uppercase ? :No ;

130 COLUMN8

Optional ? :Yes ; Varchar2 (2000) ; () ; ; Uppercase ? :No ;

Table Definition

Container : RetailServer11.1 Version :

Column Detail

```
140 COLUMN9
      Optional ? :Yes ; Varchar2 (2000) ;() ; ; Uppercase ? :No ;
150 COLUMN10
      Optional ? :Yes ; Varchar2 (2000) ;() ; ; Uppercase ? :No ;
160 COLUMN11
      Optional ? :Yes ; Varchar2 (2000) ;() ; ; Uppercase ? :No ;
170 COLUMN12
      Optional ? :Yes ; Varchar2 (2000) ;() ; ; Uppercase ? :No ;
180 COLUMN13
      Optional ? :Yes ; Varchar2 (2000) ;() ; ; Uppercase ? :No ;
190 COLUMN14
      Optional ? :Yes ; Varchar2 (2000) ;() ; ; Uppercase ? :No ;
200 COLUMN15
      Optional ? :Yes ; Varchar2 (2000) ;() ; ; Uppercase ? :No ;
210 COLUMN16
      Optional ? :Yes ; Varchar2 (2000) ;() ; ; Uppercase ? :No ;
220 ENTERPRISE_ID
      Enterprise of owning matrix/worksheet
      Optional ? :Yes ; Number () ;() ; ; Uppercase ? :No ; Default Value :0 ;
230 APPCODE
      Application code
      Optional ? :Yes ; Varchar2 (32) ;() ; ; Uppercase ? :No ;
240 APPKEY
      Applicaton key used to allow multiple uses of same sheet in application
      Optional ? :Yes ; Varchar2 (16) ;() ; ; Uppercase ? :No ;
```

Table Definition

Container : RetailServer11.1 Version :

Table Name : NEWJOURNAL Alias :
Display Title :

Comment : Design messages

Volumes

Start Rows : End Rows :

Storage

Index-organized ? No

Column Summary

<u>Col.Seq.</u>	<u>Column</u>	<u>Nulls ?</u>	<u>Type</u>
10	JOURNALID	NOT NULL	NUMBER ()
20	BOXNUMBER	NULL	NUMBER ()
30	MSGTYPE	NULL	NUMBER ()
40	SENDTIME	NULL	NUMBER ()
50	READTIME	NULL	NUMBER ()
60	CONTEXT	NULL	VARCHAR2 (64)
70	SENDERID	NULL	NUMBER ()
80	SENDERNAME	NULL	VARCHAR2 (64)
90	DESTINATIONID	NULL	NUMBER ()
100	DESTINATIONNAME	NULL	VARCHAR2 (2000)
110	ABOUT	NULL	VARCHAR2 (128)
120	MAINTTEXT	NULL	LONG ()
130	REMINDERTIME	NULL	NUMBER ()
140	SEASONID	NULL	NUMBER ()
150	APPLICATION_ID	NULL	NUMBER ()

Primary Key

<u>Name</u>	<u>Column</u>
PK_NEWJOURNAL	JOURNALID

Index Summary

<u>Name</u>	<u>Seq.</u>	<u>Column</u>	<u>Index Type</u>
JRN_I1	1	SENDERID	NOT UNIQUE
JRN_I2	1	DESTINATIONID	NOT UNIQUE
JRN_I3	1	SEASONID	NOT UNIQUE
JRN_I4	1	APPLICATION_ID	NOT UNIQUE

Column Detail

Table Definition

Container : RetailServer11.1 Version :

Column Detail

10 JOURNALID
Unique ID of journal item
Optional ? :No ; Number () ; () ; ; Uppercase ? :No ; Default Value :0 ;

20 BOXNUMBER
Destination box number (1 = in, 2 = out)
Optional ? :Yes ; Number () ; () ; ; Uppercase ? :No ; Default Value :0 ;

30 MSGTYPE
Message, reminder, etc.
Optional ? :Yes ; Number () ; () ; ; Uppercase ? :No ; Default Value :0 ;

40 SENDTIME
Time stamp of when sent
Optional ? :Yes ; Number () ; () ; ; Uppercase ? :No ; Default Value :0 ;

50 READTIME
Time stamp when read (0 for new message)
Optional ? :Yes ; Number () ; () ; ; Uppercase ? :No ; Default Value :0 ;

60 CONTEXT
Tab context
Optional ? :Yes ; Varchar2 (64) ; () ; ; Uppercase ? :No ;

70 SENDERID
ID of sender
Optional ? :Yes ; Number () ; () ; ; Uppercase ? :No ; Default Value :0 ;

80 SENDERNAME
Display name of sender
Optional ? :Yes ; Varchar2 (64) ; () ; ; Uppercase ? :No ;

90 DESTINATIONID
ID of recipient (0 for reminder)
Optional ? :Yes ; Number () ; () ; ; Uppercase ? :No ; Default Value :0 ;

100 DESTINATIONNAME
Display name of all recipients
Optional ? :Yes ; Varchar2 (2000) ; () ; ; Uppercase ? :No ;

110 ABOUT
About string
Optional ? :Yes ; Varchar2 (128) ; () ; ; Uppercase ? :No ;

120 MAINTTEXT
Message text
Optional ? :Yes ; Long () ; () ; ; Uppercase ? :No ;

130 REMINDERTIME
Reminder displayed only after this time
Optional ? :Yes ; Number () ; () ; ; Uppercase ? :No ; Default Value :0 ;

140 SEASONID

Table Definition

Container : RetailServer11.1 Version :

Column Detail

Now season local

Optional ? :Yes ; Number () ;() ; ; Uppercase ? :No ; Default Value :0 ;

150 APPLICATION_ID

Identifies global context, allows messaging to be used in other applications

Optional ? :Yes ; Number () ;() ; ; Uppercase ? :No ; Default Value :0 ;

Table Definition

Container : RetailServer11.1 Version :

Table Name : ORDERITEMS Alias :
Display Title :

Comment : Webtrack order line items

Volumes

Start Rows : End Rows :

Storage

Index-organized ? No

Column Summary

<u>Col.Seq.</u>	<u>Column</u>	<u>Nulls ?</u>	<u>Type</u>
10	ORDERITEMID	NOT NULL	NUMBER ()
20	PARENTORDERID	NULL	NUMBER ()
30	PRODUCTID	NULL	NUMBER ()
40	COLOURID	NULL	NUMBER ()
50	QUANTITY	NULL	NUMBER ()
60	ACCOUNTID	NULL	NUMBER ()
70	FACTORYID	NULL	NUMBER ()
80	COUNTRYID	NULL	NUMBER ()
90	PATHMADE	NULL	VARCHAR2 (1)
100	ENTERPRISE_ID	NULL	NUMBER ()

Primary Key

<u>Name</u>	<u>Column</u>
PK_ORDERITEMS	ORDERITEMID

Index Summary

<u>Name</u>	<u>Seq.</u>	<u>Column</u>	<u>Index Type</u>
OIDS_I1	1	ENTERPRISE_ID	NOT UNIQUE
OIDS_I2	1	PARENTORDERID	NOT UNIQUE

Column Detail

10	ORDERITEMID	Order id and sequence Optional ? :No ; Number () ;() ; ; Uppercase ? :No ; Default Value :0 ;
20	PARENTORDERID	Owning order Optional ? :Yes ; Number () ;() ; ; Uppercase ? :No ; Default Value :0 ;
30	PRODUCTID	

Table Definition

Container : RetailServer11.1 Version :

Column Detail

```

Product
Optional ? :Yes ; Number ( ) ;( ) ; ; Uppercase ? :No ; Default Value :0 ;
40 COLOURID
Colour
Optional ? :Yes ; Number ( ) ;( ) ; ; Uppercase ? :No ; Default Value :0 ;
50 QUANTITY
Order quantity
Optional ? :Yes ; Number ( ) ;( ) ; ; Uppercase ? :No ; Default Value :0 ;
60 ACCOUNTID
Account manager
Optional ? :Yes ; Number ( ) ;( ) ; ; Uppercase ? :No ; Default Value :0 ;
70 FACTORYID
Usual factory and country stuff
Optional ? :Yes ; Number ( ) ;( ) ; ; Uppercase ? :No ; Default Value :0 ;
80 COUNTRYID
Optional ? :Yes ; Number ( ) ;( ) ; ; Uppercase ? :No ; Default Value :0 ;
90 PATHMADE
Set to Y when used in path
Optional ? :Yes ; Varchar2 (1) ;( ) ; ; Uppercase ? :No ;
100 ENTERPRISE_ID
Optional ? :Yes ; Number ( ) ;( ) ; ; Uppercase ? :No ; Default Value :0 ;

```

Table Definition

Container : RetailServer11.1 Version :

Table Name : ORDERS Alias :
Display Title :

Comment : Webtrack orders

Volumes

Start Rows : End Rows :

Storage

Index-organized ? No

Column Summary

<u>Col.Seq.</u>	<u>Column</u>	<u>Nulls ?</u>	<u>Type</u>
10	ORDERID	NOT NULL	NUMBER ()
20	ORDERNUMBER	NULL	VARCHAR2 (255)
30	DEPARTMENTID	NULL	NUMBER ()
40	SUPPLIERID	NULL	NUMBER ()
50	TOTALQUANTITY	NULL	NUMBER ()
60	DUEDATE	NULL	NUMBER ()
70	CREATEDATE	NULL	NUMBER ()
80	TRACKOPTION	NULL	VARCHAR2 (1)
90	DRAFTPATHMADE	NULL	VARCHAR2 (1)
100	ITEMPATHMADE	NULL	VARCHAR2 (1)
110	ITEMCOUNT	NULL	NUMBER ()
120	AMENDMENTS	NULL	NUMBER ()
130	ENTERPRISE_ID	NULL	NUMBER ()
140	ORDERCOMMENT	NULL	VARCHAR2 (64)
150	ORDERTYPE	NULL	NUMBER ()

Primary Key

<u>Name</u>	<u>Column</u>
PK_ORDERS	ORDERID

Index Summary

<u>Name</u>	<u>Seq.</u>	<u>Column</u>	<u>Index Type</u>
ORDS_I1	1	ENTERPRISE_ID	NOT UNIQUE

Column Detail

10	ORDERID	Usual primary key
		Optional ? :No ; Number () ;() ; ; Uppercase ? :No ; Default Value :0 ;

Table Definition

Container : RetailServer11.1 Version :

Column Detail

20 ORDERNUMBER
 User defined order number
 Optional ? :Yes ; Varchar2 (255) ;() ; ; Uppercase ? :No ;

30 DEPARTMENTID
 To select orders by user
 Optional ? :Yes ; Number () ;() ; ; Uppercase ? :No ; Default Value :0 ;

40 SUPPLIERID
 Order supplier
 Optional ? :Yes ; Number () ;() ; ; Uppercase ? :No ; Default Value :0 ;

50 TOTALQUANTITY
 Total over all items
 Optional ? :Yes ; Number () ;() ; ; Uppercase ? :No ; Default Value :0 ;

60 DUEDATE
 Due date
 Optional ? :Yes ; Number () ;() ; ; Uppercase ? :No ; Default Value :0 ;

70 CREATEDATE
 Created date
 Optional ? :Yes ; Number () ;() ; ; Uppercase ? :No ; Default Value :0 ;

80 TRACKOPTION
 Y to track options
 Optional ? :Yes ; Varchar2 (1) ;() ; ; Uppercase ? :No ;

90 DRAFTPATHMADE
 Y if draft path made
 Optional ? :Yes ; Varchar2 (1) ;() ; ; Uppercase ? :No ;

100 ITEMPATHMADE
 Y if item path made
 Optional ? :Yes ; Varchar2 (1) ;() ; ; Uppercase ? :No ;

110 ITEMCOUNT
 Number of products in order
 Optional ? :Yes ; Number () ;() ; ; Uppercase ? :No ; Default Value :0 ;

120 AMENDMENTS
 Amendment count
 Optional ? :Yes ; Number () ;() ; ; Uppercase ? :No ; Default Value :0 ;

130 ENTERPRISE_ID
 Optional ? :Yes ; Number () ;() ; ; Uppercase ? :No ; Default Value :0 ;

140 ORDERCOMMENT
 Comment field to facilitate template selection, etc.
 Optional ? :Yes ; Varchar2 (64) ;() ; ; Uppercase ? :No ;

150 ORDERTYPE
 Mirrors type of item (PO, project)

Table Definition

Container : RetailServer11.1 Version :

Column Detail

Optional ? :Yes ; Number () ; () ; ; Uppercase ? :No ; Default Value :0 ;

Table Definition

Container : RetailServer11.1 Version :

Table Name : PALETTECOLOURS Alias :
Display Title :

Comment : Colours

Volumes

Start Rows : End Rows :

Storage

Index-organized ? No

Column Summary

<u>Col.Seq.</u>	<u>Column</u>	<u>Nulls ?</u>	<u>Type</u>
10	NEWCOLOURID	NOT NULL	NUMBER ()
20	COLOURNAME	NULL	VARCHAR2 (64)
30	COLOURCODE	NULL	VARCHAR2 (32)
40	RGB	NULL	NUMBER ()
50	SEASONLIST	NULL	VARCHAR2 (255)
60	SCOPE	NULL	VARCHAR2 (64)
70	ENTERPRISE_ID	NULL	NUMBER ()

Primary Key

<u>Name</u>	<u>Column</u>
PK_PALETTECOLOURS	NEWCOLOURID

Index Summary

<u>Name</u>	<u>Seq.</u>	<u>Column</u>	<u>Index Type</u>
CLRS_I1	1	ENTERPRISE_ID	NOT UNIQUE

Column Detail

10	NEWCOLOURID	Internal ID Optional ? :No ; Number () ; () ; ; Uppercase ? :No ; Default Value :0 ;
20	COLOURNAME	Name Optional ? :Yes ; Varchar2 (64) ; () ; ; Uppercase ? :No ;
30	COLOURCODE	Colour code/name Optional ? :Yes ; Varchar2 (32) ; () ; ; Uppercase ? :No ;
40	RGB	RGB value

Table Definition

Container : RetailServer11.1 Version :

Column Detail

Optional ? :Yes ; Number () ;() ; ; Uppercase ? :No ; Default Value :0 ;
50 SEASONLIST
Empty/NS (,) or list of seasons with this colour
Optional ? :Yes ; Varchar2 (255) ;() ; ; Uppercase ? :No ;
60 SCOPE
Usually either department number or division key
Optional ? :Yes ; Varchar2 (64) ;() ; ; Uppercase ? :No ;
70 ENTERPRISE_ID
ID of owning enterprise
Optional ? :Yes ; Number () ;() ; ; Uppercase ? :No ; Default Value :0 ;

Table Definition

Container : RetailServer11.1 Version :

Table Name : PALETTEITEMS Alias :
Display Title :

Comment : Individual colours in a palette

Volumes

Start Rows : End Rows :

Storage

Index-organized ? No

Column Summary

<u>Col.Seq.</u>	<u>Column</u>	<u>Nulls ?</u>	<u>Type</u>
10	PALETTE_ID	NULL	NUMBER ()
20	COLOUR_ID	NULL	NUMBER ()
30	COLOUR_ORDER	NULL	NUMBER ()
40	ENTERPRISE_ID	NULL	NUMBER ()

Index Summary

<u>Name</u>	<u>Seq.</u>	<u>Column</u>	<u>Index Type</u>
PALITM_I1	1	PALETTE_ID	NOT UNIQUE
PALITM_I2	1	ENTERPRISE_ID	NOT UNIQUE

Column Detail

10 PALETTE_ID
Internal ID in palettes table
Optional ? :Yes ; Number () ;() ; ; Uppercase ? :No ; Default Value :0 ;

20 COLOUR_ID
Internal ID in palettecolours table
Optional ? :Yes ; Number () ;() ; ; Uppercase ? :No ; Default Value :0 ;

30 COLOUR_ORDER
Ordering
Optional ? :Yes ; Number () ;() ; ; Uppercase ? :No ; Default Value :0 ;

40 ENTERPRISE_ID
Owning enterprise: for deletion
Optional ? :Yes ; Number () ;() ; ; Uppercase ? :No ; Default Value :0 ;

Table Definition

Container : RetailServer11.1 Version :

Table Name : PALETTES Alias :
Display Title :

Comment : Palettes

Volumes

Start Rows : End Rows :

Storage

Index-organized ? No

Column Summary

<u>Col.Seq.</u>	<u>Column</u>	<u>Nulls ?</u>	<u>Type</u>
10	PALETTEID	NOT NULL	NUMBER ()
20	PALETTENAME	NULL	VARCHAR2 (64)
30	PHASEID	NULL	NUMBER ()
40	CATEGORY	NULL	VARCHAR2 (50)
50	COLOURLIST	NULL	VARCHAR2 (4000)
60	SEASONID	NULL	NUMBER ()
70	SCOPE	NULL	VARCHAR2 (50)
80	LOCAL	NULL	NUMBER ()
90	ENTERPRISE_ID	NULL	NUMBER ()
100	PALETTECODE	NULL	VARCHAR2 (64)

Primary Key

<u>Name</u>	<u>Column</u>
PK_PALETTES	PALETTEID

Index Summary

<u>Name</u>	<u>Seq.</u>	<u>Column</u>	<u>Index Type</u>
PAL_I1	1	ENTERPRISE_ID	NOT UNIQUE

Column Detail

10	PALETTEID	Optional ? :No ; Number () ;() ; ; Uppercase ? :No ; Default Value :0 ;
20	PALETTENAME	Optional ? :Yes ; Varchar2 (64) ;() ; ; Uppercase ? :No ;
30	PHASEID	Optional ? :Yes ; Number () ;() ; ; Uppercase ? :No ; Default Value :0 ;
40	CATEGORY	

Table Definition

Container : RetailServer11.1 Version :

Column Detail

Optional ? :Yes ; Varchar2 (50) ;() ; ; Uppercase ? :No ;
50 COLOURLIST
List of colours; no longer used - see paletteitems
Optional ? :Yes ; Varchar2 (4000) ;() ; ; Uppercase ? :No ;
60 SEASONID
Optional ? :Yes ; Number () ;() ; ; Uppercase ? :No ; Default Value :0 ;
70 SCOPE
Optional ? :Yes ; Varchar2 (50) ;() ; ; Uppercase ? :No ;
80 LOCAL
1 for local palette, 0 for fashion palette
Optional ? :Yes ; Number () ;() ; ; Uppercase ? :No ; Default Value :0 ;
90 ENTERPRISE_ID
Optional ? :Yes ; Number () ;() ; ; Uppercase ? :No ; Default Value :0 ;
100 PALETTECODE
For external import
Optional ? :Yes ; Varchar2 (64) ;() ; ; Uppercase ? :No ;

Table Definition

Container : RetailServer11.1 Version :

Column Detail

```

Optional ? :Yes ; Varchar2 (64) ;() ; ; Uppercase ? :No ;
30  SUBCONTEXT
    Subcontext within context (for styles, etc)
Optional ? :Yes ; Varchar2 (64) ;() ; ; Uppercase ? :No ;
40  IMAGEID
Optional ? :Yes ; Number () ;() ; ; Uppercase ? :No ; Default Value :0 ;
50  CAPTION
    Main image caption
Optional ? :Yes ; Varchar2 (255) ;() ; ; Uppercase ? :No ;
60  NOTES
    Concatenated note texts
Optional ? :Yes ; Varchar2 (2000) ;() ; ; Uppercase ? :No ;
70  POINTS
    Concatenated point data
Optional ? :Yes ; Varchar2 (255) ;() ; ; Uppercase ? :No ;
80  SEASONID
    Owing season
Optional ? :Yes ; Number () ;() ; ; Uppercase ? :No ; Default Value :0 ;
90  UPDATEBITS
    Update bits for caption and notes (0 = buyer, 1 = supplier)
Optional ? :Yes ; Number () ;() ; ; Uppercase ? :No ; Default Value :0 ;
100 ENTERPRISE_ID
    Owing enterprise
Optional ? :Yes ; Number () ;() ; ; Uppercase ? :No ; Default Value :0 ;

```

Table Definition

Container : RetailServer11.1 Version :

Table Name : PLAN_PLANDATA Alias :
Display Title :

Comment : Planning extension: sales plan storage

Volumes

Start Rows : End Rows :

Storage

Index-organized ? No

Column Summary

<u>Col.Seq.</u>	<u>Column</u>	<u>Nulls ?</u>	<u>Type</u>
10	PLAN_ID	NULL	NUMBER ()
20	METRIC_DATE	NULL	NUMBER ()
30	DIVISION_ID	NULL	NUMBER ()
40	DEPARTMENT_ID	NULL	NUMBER ()
50	CLASS_ID	NULL	NUMBER ()
60	SUBCLASS_ID	NULL	NUMBER ()
70	MARKET_NAME	NULL	VARCHAR2 (32)
80	METRIC_CODE	NULL	VARCHAR2 (16)
90	METRIC_VALUE	NULL	FLOAT (126)
100	ENTERPRISE_ID	NULL	NUMBER ()

Index Summary

<u>Name</u>	<u>Seq.</u>	<u>Column</u>	<u>Index Type</u>
PLAN_DATA_I1	1	PLAN_ID	NOT UNIQUE
PLAN_DATA_I2	1	DIVISION_ID	NOT UNIQUE
PLAN_DATA_I3	1	DEPARTMENT_ID	NOT UNIQUE
PLAN_DATA_I4	1	CLASS_ID	NOT UNIQUE
PLAN_DATA_I5	1	SUBCLASS_ID	NOT UNIQUE
PLAN_DATA_I6	1	METRIC_DATE	NOT UNIQUE
PLAN_DATA_I7	1	ENTERPRISE_ID	NOT UNIQUE

Column Detail

10 PLAN_ID
Allows multiple plans. May not be used initially
Optional ? :Yes ; Number () ;() ; ; Uppercase ? :No ; Default Value :0 ;

20 METRIC_DATE
Date of entry. Identifies week, etc

Table Definition

Container : RetailServer11.1 Version :

Column Detail

Optional ? :Yes ; Number () ;() ; ; Uppercase ? :No ; Default Value :0 ;
 30 DIVISION_ID
 Scope references. Allows efficient accumulation at multiple levels
 Optional ? :Yes ; Number () ;() ; ; Uppercase ? :No ; Default Value :0 ;
 40 DEPARTMENT_ID
 Optional ? :Yes ; Number () ;() ; ; Uppercase ? :No ; Default Value :0 ;
 50 CLASS_ID
 Optional ? :Yes ; Number () ;() ; ; Uppercase ? :No ; Default Value :0 ;
 60 SUBCLASS_ID
 Optional ? :Yes ; Number () ;() ; ; Uppercase ? :No ; Default Value :0 ;
 70 MARKET_NAME
 Market name. Use name because there is no consistent internal ID.
 Optional ? :Yes ; Varchar2 (32) ;() ; ; Uppercase ? :No ;
 80 METRIC_CODE
 Code identifies value type
 Optional ? :Yes ; Varchar2 (16) ;() ; ; Uppercase ? :No ;
 90 METRIC_VALUE
 Plan value. Quantity, cost, etc
 Optional ? :Yes ; Float (126) ;() ; ; Uppercase ? :No ; Default Value :0 ;
 100 ENTERPRISE_ID
 Owning enterprise
 Optional ? :Yes ; Number () ;() ; ; Uppercase ? :No ; Default Value :0 ;

Table Definition

Container : RetailServer11.1 Version :

Table Name : PORTFOLIOLABELS Alias :
Display Title :

Comment : Design label definitions

Volumes

Start Rows : End Rows :

Storage

Index-organized ? No

Column Summary

<u>Col.Seq.</u>	<u>Column</u>	<u>Nulls ?</u>	<u>Type</u>
10	LABELID	NOT NULL	NUMBER ()
20	STATE	NULL	NUMBER ()
30	LABELCODE	NULL	VARCHAR2 (50)
40	DESCRIPTION	NULL	VARCHAR2 (64)
50	TYPEID	NULL	NUMBER ()
60	SUBTYPEID	NULL	NUMBER ()
70	CURRENTPRICE	NULL	VARCHAR2 (16)
80	LASTUSED	NULL	NUMBER ()
90	FIELDLIST	NULL	VARCHAR2 (2000)
100	SCOPE	NULL	VARCHAR2 (50)
110	FIELDGENERATION	NULL	NUMBER ()
120	IMAGEID	NULL	NUMBER ()
130	ENTERPRISE_ID	NULL	NUMBER ()

Primary Key

<u>Name</u>	<u>Column</u>
PK_PORTFOLIOLABELS	LABELID

Index Summary

<u>Name</u>	<u>Seq.</u>	<u>Column</u>	<u>Index Type</u>
LABELS_I1	1	SCOPE	NOT UNIQUE
LABELS_I2	1	ENTERPRISE_ID	NOT UNIQUE

Column Detail

10	LABELID	Optional ? :No ; Number () ;() ; ; Uppercase ? :No ; Default Value :0 ;
20	STATE	0 = template, 1 = label?

Table Definition

Container : RetailServer11.1 Version :

Column Detail

```

Optional ? :Yes ; Number ( ) ;( ) ; ; Uppercase ? :No ; Default Value :0 ;
30 LABELCODE
Optional ? :Yes ; Varchar2 (50) ;( ) ; ; Uppercase ? :No ;
40 DESCRIPTION
Optional ? :Yes ; Varchar2 (64) ;( ) ; ; Uppercase ? :No ;
50 TYPEID
Now packaging type
Optional ? :Yes ; Number ( ) ;( ) ; ; Uppercase ? :No ; Default Value :0 ;
60 SUBTYPEID
Packaging subtype
Optional ? :Yes ; Number ( ) ;( ) ; ; Uppercase ? :No ; Default Value :0 ;
70 CURRENTPRICE
Optional ? :Yes ; Varchar2 (16) ;( ) ; ; Uppercase ? :No ;
80 LASTUSED
Last use date
Optional ? :Yes ; Number ( ) ;( ) ; ; Uppercase ? :No ; Default Value :0 ;
90 FIELDLIST
List of field ids, normal comma separation
Optional ? :Yes ; Varchar2 (2000) ;( ) ; ; Uppercase ? :No ;
100 SCOPE
Division/Department scope
Optional ? :Yes ; Varchar2 (50) ;( ) ; ; Uppercase ? :No ;
110 FIELDGENERATION
Incremented for each field added (to allow more than one copy of field)
Optional ? :Yes ; Number ( ) ;( ) ; ; Uppercase ? :No ; Default Value :0 ;
120 IMAGEID
ID of cutter image
Optional ? :Yes ; Number ( ) ;( ) ; ; Uppercase ? :No ; Default Value :0 ;
130 ENTERPRISE_ID
Optional ? :Yes ; Number ( ) ;( ) ; ; Uppercase ? :No ; Default Value :0 ;

```

Table Definition

Container : RetailServer11.1 Version :

Table Name : QUALITYFORMS Alias :
Display Title :

Comment : Spec sheets

Volumes

Start Rows : End Rows :

Storage

Index-organized ? No

Column Summary

<u>Col.Seq.</u>	<u>Column</u>	<u>Nulls ?</u>	<u>Type</u>
10	QFORMTYPE	NOT NULL	NUMBER ()
20	QDESCRIPTION	NULL	VARCHAR2 (50)
30	QPAGES	NULL	VARCHAR2 (4000)
40	ENTERPRISE_ID	NOT NULL	NUMBER ()
50	QAPPCODE	NOT NULL	VARCHAR2 (32)
60	SPECSHEET	NULL	LONG RAW ()
70	UPLOADTIME	NULL	NUMBER ()

Primary Key

<u>Name</u>	<u>Column</u>
PK_QUALITYFORMS	QFORMTYPE QAPPCODE ENTERPRISE_ID

Index Summary

<u>Name</u>	<u>Seq.</u>	<u>Column</u>	<u>Index Type</u>
QFORMS_I1	1	ENTERPRISE_ID	NOT UNIQUE
QFORMS_I2	1	QAPPCODE	NOT UNIQUE

Column Detail

10	QFORMTYPE	Type, a small integer Optional ? :No ; Number () ; () ; ; Uppercase ? :No ; Default Value :0 ;
20	QDESCRIPTION	Product drescription Optional ? :Yes ; Varchar2 (50) ; () ; ; Uppercase ? :No ;
30	QPAGES	List of forms and matrices

Table Definition

Container : RetailServer11.1 Version :

Column Detail

Optional ? :Yes ; Varchar2 (4000) ;() ; ; Uppercase ? :No ;
40 ENTERPRISE_ID
Owning enterprise
Optional ? :No ; Number () ;() ; ; Uppercase ? :No ; Default Value :0 ;
50 QAPPCODE
Application code: allows many sets of forms
Optional ? :No ; Varchar2 (32) ;() ; ; Uppercase ? :No ;
60 SPECSHEET
Serializedc SpecSheet object
Optional ? :Yes ; Long Raw () ;() ; ; Uppercase ? :No ;
70 UPLOADTIME
Timestamp when sheet was uploaded (for caching)
Optional ? :Yes ; Number () ;() ; ; Uppercase ? :No ; Default Value :0 ;

Table Definition

Container : RetailServer11.1 Version :

Table Name : RANGES Alias :
Display Title :

Comment : Stylebox data

Volumes

Start Rows : End Rows :

Storage

Index-organized ? No

Column Summary

<u>Col.Seq.</u>	<u>Column</u>	<u>Nulls ?</u>	<u>Type</u>
10	RANGEID	NOT NULL	NUMBER ()
20	RANGENAME	NULL	VARCHAR2 (64)
30	RANGEDESCRIPTION	NULL	VARCHAR2 (255)
40	WORKSHEETLIST	NULL	VARCHAR2 (255)
50	DEPARTMENTID	NULL	NUMBER ()
60	SEASONID	NULL	NUMBER ()
70	IMAGELAYOUT	NULL	VARCHAR2 (2000)
80	EXTRAIMAGELIST	NULL	VARCHAR2 (255)
90	BACKIMAGE_ID	NULL	NUMBER ()
100	BACKIMAGE_OPTION	NULL	NUMBER ()
110	GRID_OPTION	NULL	NUMBER ()
120	CREATOR_ID	NULL	NUMBER ()
130	CREATOR_ENTERPRISE	NULL	NUMBER ()
140	CREATION_DATE	NULL	NUMBER ()
150	ENTERPRISE_ID	NULL	NUMBER ()
160	PARENTID	NULL	NUMBER ()
170	GRID_COLOUR	NULL	NUMBER ()
180	BACKGROUND_COLOUR	NULL	NUMBER ()
190	STATUS_CODE	NULL	VARCHAR2 (8)

Primary Key

<u>Name</u>	<u>Column</u>
PK_RANGES	RANGEID

Index Summary

<u>Name</u>	<u>Seq.</u>	<u>Column</u>	<u>Index Type</u>
RANGES_I1	1	ENTERPRISE_ID	NOT UNIQUE

Column Detail

Table Definition

Container : RetailServer11.1 Version :

Column Detail

10 RANGEID
Optional ? :No ; Number () ; () ; ; Uppercase ? :No ; Default Value :0 ;

20 RANGENAME
Optional ? :Yes ; Varchar2 (64) ; () ; ; Uppercase ? :No ;

30 RANGEDESCRIPTION
Optional ? :Yes ; Varchar2 (255) ; () ; ; Uppercase ? :No ;

40 WORKSHEETLIST
Optional ? :Yes ; Varchar2 (255) ; () ; ; Uppercase ? :No ;

50 DEPARTMENTID
Single department; may change - division? List?
Optional ? :Yes ; Number () ; () ; ; Uppercase ? :No ; Default Value :0 ;

60 SEASONID
Optional ? :Yes ; Number () ; () ; ; Uppercase ? :No ; Default Value :0 ;

70 IMAGELAYOUT
Optional ? :Yes ; Varchar2 (2000) ; () ; ; Uppercase ? :No ;

80 EXTRAIMAGELIST
Extra images (from clipboard, for example)
Optional ? :Yes ; Varchar2 (255) ; () ; ; Uppercase ? :No ;

90 BACKIMAGE_ID
Background image id
Optional ? :Yes ; Number () ; () ; ; Uppercase ? :No ; Default Value :0 ;

100 BACKIMAGE_OPTION
0 = no image, 1 = centred, 2 = tiled, 3 = stretched
Optional ? :Yes ; Number () ; () ; ; Uppercase ? :No ; Default Value :0 ;

110 GRID_OPTION
0 = no grid, otherwise spacing.
Optional ? :Yes ; Number () ; () ; ; Uppercase ? :No ; Default Value :0 ;

120 CREATOR_ID
User id of creator
Optional ? :Yes ; Number () ; () ; ; Uppercase ? :No ; Default Value :0 ;

130 CREATOR_ENTERPRISE
Enterprise of creator
Optional ? :Yes ; Number () ; () ; ; Uppercase ? :No ; Default Value :0 ;

140 CREATION_DATE
When created
Optional ? :Yes ; Number () ; () ; ; Uppercase ? :No ; Default Value :0 ;

150 ENTERPRISE_ID
Owning enterprise
Optional ? :Yes ; Number () ; () ; ; Uppercase ? :No ; Default Value :0 ;

Table Definition

Container : RetailServer11.1 Version :

Column Detail

160 PARENTID
Parent folder
Optional ? :Yes ; Number () ; () ; ; Uppercase ? :No ; Default Value :0 ;

170 GRID_COLOUR
Grid colour or null
Optional ? :Yes ; Number () ; () ; ; Uppercase ? :No ; Default Value :0 ;

180 BACKGROUND_COLOUR
Override colour or null
Optional ? :Yes ; Number () ; () ; ; Uppercase ? :No ; Default Value :0 ;

190 STATUS_CODE
Status value
Optional ? :Yes ; Varchar2 (8) ; () ; ; Uppercase ? :No ;

Table Definition

Container : RetailServer11.1 Version :

Table Name : REASONS Alias :
Display Title :

Comment : Webtrack event 'reasons'

Volumes

Start Rows : End Rows :

Storage

Index-organized ? No

Column Summary

<u>Col.Seq.</u>	<u>Column</u>	<u>Nulls ?</u>	<u>Type</u>
10	REASONID	NOT NULL	NUMBER ()
20	REASONNAME	NULL	VARCHAR2 (128)
30	ENTERPRISE_ID	NULL	NUMBER ()

Primary Key

<u>Name</u>	<u>Column</u>
PK_REASONS	REASONID

Index Summary

<u>Name</u>	<u>Seq.</u>	<u>Column</u>	<u>Index Type</u>
RSNS_I1	1	ENTERPRISE_ID	NOT UNIQUE

Column Detail

10	REASONID	Optional ? :No ; Number () ;() ; ; Uppercase ? :No ; Default Value :0 ;
20	REASONNAME	Optional ? :Yes ; Varchar2 (128) ;() ; ; Uppercase ? :No ;
30	ENTERPRISE_ID	Optional ? :Yes ; Number () ;() ; ; Uppercase ? :No ; Default Value :0 ;

Table Definition

Container : RetailServer11.1 Version :

Table Name : SIZECHARTS Alias :
Display Title :

Comment : Design size ranges

Volumes

Start Rows : End Rows :

Storage

Index-organized ? No

Column Summary

<u>Col.Seq.</u>	<u>Column</u>	<u>Nulls ?</u>	<u>Type</u>
10	SIZECHARTID	NOT NULL	NUMBER ()
20	CHARTNAME	NULL	VARCHAR2 (64)
30	SIZECOLUMNS	NULL	NUMBER ()
40	DEPARTMENTID	NULL	NUMBER ()
50	SIZECHART	NULL	VARCHAR2 (2000)
60	SIZECHARTCODE	NULL	VARCHAR2 (32)
70	ENTERPRISE_ID	NULL	NUMBER ()
80	SCOPE	NULL	VARCHAR2 (32)

Primary Key

<u>Name</u>	<u>Column</u>
PK_SIZECHARTS	SIZECHARTID

Index Summary

<u>Name</u>	<u>Seq.</u>	<u>Column</u>	<u>Index Type</u>
SZC_I1	1	ENTERPRISE_ID	NOT UNIQUE

Column Detail

10	SIZECHARTID	Optional ? :No ; Number () ;() ; ; Uppercase ? :No ; Default Value :0 ;
20	CHARTNAME	Optional ? :Yes ; Varchar2 (64) ;() ; ; Uppercase ? :No ;
30	SIZECOLUMNS	Optional ? :Yes ; Number () ;() ; ; Uppercase ? :No ; Default Value :0 ;
40	DEPARTMENTID	Optional ? :Yes ; Number () ;() ; ; Uppercase ? :No ; Default Value :0 ;
50	SIZECHART	

Table Definition

Container : RetailServer11.1 Version :

Column Detail

Optional ? :Yes ; Varchar2 (2000) ;() ; ; Uppercase ? :No ;
60 SIZECHARTCODE
Optional ? :Yes ; Varchar2 (32) ;() ; ; Uppercase ? :No ;
70 ENTERPRISE_ID
Optional ? :Yes ; Number () ;() ; ; Uppercase ? :No ; Default Value :0 ;
80 SCOPE
Standard scope string
Optional ? :Yes ; Varchar2 (32) ;() ; ; Uppercase ? :No ;

Table Definition

Container : RetailServer11.1 Version :

Column Detail

Single form

Optional ? :Yes ; Varchar2 (32) ;() ; ; Uppercase ? :No ;

40 PLURAL

Optional plural form

Optional ? :Yes ; Varchar2 (50) ;() ; ; Uppercase ? :No ;

50 DESCRIPTION

Information for administrator

Optional ? :Yes ; Varchar2 (255) ;() ; ; Uppercase ? :No ;

60 ENTERPRISE_ID

ID of owning enterprise

Optional ? :Yes ; Number () ;() ; ; Uppercase ? :No ; Default Value :0 ;

70 LANGUAGE_CODE

Language code (null implies default)

Optional ? :Yes ; Varchar2 (32) ;() ; ; Uppercase ? :No ;

80 LOCAL_NAME

Display name in local language

Optional ? :Yes ; Varchar2 (64) ;() ; ; Uppercase ? :No ;

Table Definition

Container : RetailServer11.1 Version :

Table Name : WORKSHEETLABELS Alias :
Display Title :

Comment : Labels attached to individual design styles

Volumes

Start Rows : End Rows :

Storage

Index-organized ? No

Column Summary

<u>Col.Seq.</u>	<u>Column</u>	<u>Nulls ?</u>	<u>Type</u>
10	WORKSHEETLABELID	NOT NULL	NUMBER ()
20	WORKSHEETID	NULL	NUMBER ()
30	LABELID	NULL	NUMBER ()
40	BUYERCOMMENT	NULL	VARCHAR2 (64)
50	DATEADDED	NULL	NUMBER ()
60	FIELDSETTINGS	NULL	VARCHAR2 (2000)
70	ENTERPRISE_ID	NULL	NUMBER ()

Primary Key

<u>Name</u>	<u>Column</u>
PK_WORKSHEETLABELS	WORKSHEETLABELID

Index Summary

<u>Name</u>	<u>Seq.</u>	<u>Column</u>	<u>Index Type</u>
WKSLAB_I1	1	ENTERPRISE_ID	NOT UNIQUE

Column Detail

10	WORKSHEETLABELID	Optional ? :No ; Number () ;() ; ; Uppercase ? :No ; Default Value :0 ;
20	WORKSHEETID	Optional ? :Yes ; Number () ;() ; ; Uppercase ? :No ; Default Value :0 ;
30	LABELID	Reference to portfoliolabels table Optional ? :Yes ; Number () ;() ; ; Uppercase ? :No ; Default Value :0 ;
40	BUYERCOMMENT	Optional ? :Yes ; Varchar2 (64) ;() ; ; Uppercase ? :No ;
50	DATEADDED	

Table Definition

Container : RetailServer11.1 Version :

Column Detail

Date of addition

Optional ? :Yes ; Number () ; () ; ; Uppercase ? :No ; Default Value :0 ;

60 FIELDSETTINGS

Set of field, generation, option triples

Optional ? :Yes ; Varchar2 (2000) ; () ; ; Uppercase ? :No ;

70 ENTERPRISE_ID

Owning enterprise

Optional ? :Yes ; Number () ; () ; ; Uppercase ? :No ; Default Value :0 ;

Table Definition

Container : RetailServer11.1 Version :

Table Name : WT_ADMINS Alias :
Display Title :

Comment : System administrators

Volumes

Start Rows : End Rows :

Storage

Index-organized ? No

Column Summary

<u>Col.</u>	<u>Seq.</u>	<u>Column</u>	<u>Nulls ?</u>	<u>Type</u>
10		ADMIN_ID	NOT NULL	NUMBER ()
20		USERNAME	NULL	VARCHAR2 (32)
30		PASSWORD	NULL	VARCHAR2 (128)
40		ADMIN_LEVEL	NULL	NUMBER ()
50		FIRSTNAME	NULL	VARCHAR2 (50)
60		LASTNAME	NULL	VARCHAR2 (50)
70		CONTACT_INFO	NULL	VARCHAR2 (2000)
80		EMAIL_ADDRESS	NULL	VARCHAR2 (64)

Primary Key

<u>Name</u>	<u>Column</u>
PK_WT_ADMINS	ADMIN_ID

Index Summary

<u>Name</u>	<u>Seq.</u>	<u>Column</u>	<u>Index Type</u>
WT_ADM1	1	USERNAME	NOT UNIQUE

Column Detail

10	ADMIN_ID	Unique ID	Optional ? :No ; Number () ; () ; ; Uppercase ? :No ; Default Value :0 ;
20	USERNAME	Username	Optional ? :Yes ; Varchar2 (32) ; () ; ; Uppercase ? :No ;
30	PASSWORD	Password	Optional ? :Yes ; Varchar2 (128) ; () ; ; Uppercase ? :No ;
40	ADMIN_LEVEL		

Table Definition

Container : RetailServer11.1 Version :

Column Detail

Administrator level

Optional ? :Yes ; Number () ; () ; ; Uppercase ? :No ; Default Value :0 ;

50 FIRSTNAME

First name

Optional ? :Yes ; Varchar2 (50) ; () ; ; Uppercase ? :No ;

60 LASTNAME

Last name

Optional ? :Yes ; Varchar2 (50) ; () ; ; Uppercase ? :No ;

70 CONTACT_INFO

Packed address info

Optional ? :Yes ; Varchar2 (2000) ; () ; ; Uppercase ? :No ;

80 EMAIL_ADDRESS

This is separate in case we ever want to mail admins automagically

Optional ? :Yes ; Varchar2 (64) ; () ; ; Uppercase ? :No ;

Table Definition

Container : RetailServer11.1 Version :

Table Name : WT_ENTERPRISES Alias :
Display Title :

Comment : Enterprises

Volumes

Start Rows : End Rows :

Storage

Index-organized ? No

Column Summary

<u>Col.Seq.</u>	<u>Column</u>	<u>Nulls ?</u>	<u>Type</u>
10	ENTERPRISE_ID	NOT NULL	NUMBER ()
20	ENTERPRISE_CODE	NULL	VARCHAR2 (16)
30	LOOKUP_CODE	NULL	VARCHAR2 (16)
40	CATEGORY_ID	NULL	NUMBER ()
50	ETYPE_ID	NULL	NUMBER ()
60	COMPANY_NAME	NULL	VARCHAR2 (64)
70	LOOKUP_NAME	NULL	VARCHAR2 (64)
80	CONTACT_EMAIL	NULL	VARCHAR2 (64)
90	COMPANY_COUNTRY	NULL	NUMBER ()
100	INITIAL_ADMIN_ID	NULL	NUMBER ()
110	ADDRESS_INFO	NULL	VARCHAR2 (2000)
120	SERVICE_LIST	NULL	VARCHAR2 (2000)

Primary Key

<u>Name</u>	<u>Column</u>
PK_WT_ENTERPRISES	ENTERPRISE_ID

Index Summary

<u>Name</u>	<u>Seq.</u>	<u>Column</u>	<u>Index Type</u>
WT_ENTS_I1	1	LOOKUP_CODE	NOT UNIQUE
WT_ENTS_I2	1	LOOKUP_NAME	NOT UNIQUE

Column Detail

10	ENTERPRISE_ID	Unique ID Optional ? :No ; Number () ;() ; ; Uppercase ? :No ; Default Value :0 ;
20	ENTERPRISE_CODE	Identifying code, try to keep secret

Table Definition

Container : RetailServer11.1 Version :

Column Detail

```

Optional ? :Yes ; Varchar2 (16) ;() ; ; Uppercase ? :No ;
30 LOOKUP_CODE
Lower case version
Optional ? :Yes ; Varchar2 (16) ;() ; ; Uppercase ? :No ;
40 CATEGORY_ID
Industry type
Optional ? :Yes ; Number () ;() ; ; Uppercase ? :No ; Default Value :0 ;
50 ETYPE_ID
Company type
Optional ? :Yes ; Number () ;() ; ; Uppercase ? :No ; Default Value :0 ;
60 COMPANY_NAME
Enterprise name
Optional ? :Yes ; Varchar2 (64) ;() ; ; Uppercase ? :No ;
70 LOOKUP_NAME
Lower case version of name
Optional ? :Yes ; Varchar2 (64) ;() ; ; Uppercase ? :No ;
80 CONTACT_EMAIL
Email address
Optional ? :Yes ; Varchar2 (64) ;() ; ; Uppercase ? :No ;
90 COMPANY_COUNTRY
ID of enterprise country
Optional ? :Yes ; Number () ;() ; ; Uppercase ? :No ; Default Value :0 ;
100 INITIAL_ADMIN_ID
ID of initial administrator
Optional ? :Yes ; Number () ;() ; ; Uppercase ? :No ; Default Value :0 ;
110 ADDRESS_INFO
Packed address info for enterprise
Optional ? :Yes ; Varchar2 (2000) ;() ; ; Uppercase ? :No ;
120 SERVICE_LIST
List of enabled enterprise services
Optional ? :Yes ; Varchar2 (2000) ;() ; ; Uppercase ? :No ;

```

Table Definition

Container : RetailServer11.1 Version :

Table Name : WT_SERVICES Alias :
Display Title :

Comment : Services

Volumes

Start Rows : End Rows :

Storage

Index-organized ? No

Column Summary

<u>Col.Seq.</u>	<u>Column</u>	<u>Nulls ?</u>	<u>Type</u>
10	SERVICE_ID	NOT NULL	NUMBER ()
20	SERVICE_ORDERING	NULL	NUMBER ()
30	SERVICE_NAME	NULL	VARCHAR2 (64)
40	SERVICE_KEY	NULL	VARCHAR2 (16)
50	SERVICE_STATE	NULL	NUMBER ()
60	ACTIVE_URL	NULL	VARCHAR2 (255)
70	INACTIVE_URL	NULL	VARCHAR2 (255)
80	FREE_DAYS	NULL	NUMBER ()
90	MONTHLY_CHARGE	NULL	FLOAT (126)
100	SERVICE_TYPE	NULL	NUMBER ()
110	ADMIN_URL	NULL	VARCHAR2 (255)

Primary Key

<u>Name</u>	<u>Column</u>
PK_WT_SERVICES	SERVICE_ID

Column Detail

10 SERVICE_ID
usual primary key
Optional ? :No ; Number () ;() ; ; Uppercase ? :No ; Default Value :0 ;

20 SERVICE_ORDERING
Used to order in displays
Optional ? :Yes ; Number () ;() ; ; Uppercase ? :No ; Default Value :0 ;

30 SERVICE_NAME
display name
Optional ? :Yes ; Varchar2 (64) ;() ; ; Uppercase ? :No ;

40 SERVICE_KEY
shorthand for lookups
Optional ? :Yes ; Varchar2 (16) ;() ; ; Uppercase ? :No ;

Table Definition

Container : RetailServer11.1 Version :

Column Detail

50 SERVICE_STATE
0 inactive, 1 active, etc
Optional ? :Yes ; Number () ; () ; ; Uppercase ? :No ; Default Value :0 ;

60 ACTIVE_URL
URL or action for registered users
Optional ? :Yes ; Varchar2 (255) ; () ; ; Uppercase ? :No ;

70 INACTIVE_URL
URL or action for inactive service
Optional ? :Yes ; Varchar2 (255) ; () ; ; Uppercase ? :No ;

80 FREE_DAYS
Free days
Optional ? :Yes ; Number () ; () ; ; Uppercase ? :No ; Default Value :0 ;

90 MONTHLY_CHARGE
In local currency
Optional ? :Yes ; Float (126) ; () ; ; Uppercase ? :No ;

100 SERVICE_TYPE
0 for personal, 1 for enterprise
Optional ? :Yes ; Number () ; () ; ; Uppercase ? :No ; Default Value :0 ;

110 ADMIN_URL
URL or action for system administration
Optional ? :Yes ; Varchar2 (255) ; () ; ; Uppercase ? :No ;

Table Definition

Container : RetailServer11.1 Version :

Table Name : WT_SRVUSERTYPES Alias :
Display Title :

Comment : User role/permission definitions

Volumes

Start Rows : End Rows :

Storage

Index-organized ? No

Column Summary

<u>Col.Seq.</u>	<u>Column</u>	<u>Nulls ?</u>	<u>Type</u>
10	USERTYPE_ID	NOT NULL	NUMBER ()
20	SERVICE_ID	NULL	NUMBER ()
30	TYPE_KEY	NULL	VARCHAR2 (16)
40	TYPE_DESCRIPTION	NULL	VARCHAR2 (64)
50	TYPE_TYPE	NULL	NUMBER ()
60	DEFAULT_ON	NULL	NUMBER ()

Primary Key

<u>Name</u>	<u>Column</u>
PK_WT_SRVUSERTYPES	USERTYPE_ID

Index Summary

<u>Name</u>	<u>Seq.</u>	<u>Column</u>	<u>Index Type</u>
WT_SUT_I1	1	SERVICE_ID	NOT UNIQUE

Column Detail

10	USERTYPE_ID	Usual key Optional ? :No ; Number () ;() ; ; Uppercase ? :No ; Default Value :0 ;
20	SERVICE_ID	Owning service Optional ? :Yes ; Number () ;() ; ; Uppercase ? :No ; Default Value :0 ;
30	TYPE_KEY	Lookup code Optional ? :Yes ; Varchar2 (16) ;() ; ; Uppercase ? :No ;
40	TYPE_DESCRIPTION	Text description Optional ? :Yes ; Varchar2 (64) ;() ; ; Uppercase ? :No ;

Table Definition

Container : RetailServer11.1 Version :

Column Detail

50 TYPE_TYPE

0 for local, 1 for partner

Optional ? :Yes ; Number () ;() ; ; Uppercase ? :No ; Default Value :0 ;

60 DEFAULT_ON

non-zero if enabled by default

Optional ? :Yes ; Number () ;() ; ; Uppercase ? :No ; Default Value :0 ;

Table Definition

Container : RetailServer11.1 Version :

Table Name : WT_TYPES Alias :
Display Title :

Comment : Global type data

Volumes

Start Rows : End Rows :

Storage

Index-organized ? No

Column Summary

<u>Col.Seq.</u>	<u>Column</u>	<u>Nulls ?</u>	<u>Type</u>
10	TYPE_ID	NOT NULL	NUMBER ()
20	TYPENAME	NULL	VARCHAR2 (16)
30	TYPEVALUE	NULL	VARCHAR2 (64)
40	APPLICATION_USE	NULL	NUMBER ()

Primary Key

<u>Name</u>	<u>Column</u>
PK_WT_TYPES	TYPE_ID

Index Summary

<u>Name</u>	<u>Seq.</u>	<u>Column</u>	<u>Index Type</u>
WT_T1	1	TYPENAME	NOT UNIQUE

Column Detail

10	TYPE_ID	Usual key Optional ? :No ; Number () ;() ; ; Uppercase ? :No ; Default Value :0 ;
20	TYPENAME	Groups by type (category, etc) Optional ? :Yes ; Varchar2 (16) ;() ; ; Uppercase ? :No ;
30	TYPEVALUE	The display value Optional ? :Yes ; Varchar2 (64) ;() ; ; Uppercase ? :No ;
40	APPLICATION_USE	Application specific use code Optional ? :Yes ; Number () ;() ; ; Uppercase ? :No ; Default Value :0 ;

Oracle Designer

TABLE DEFINITION

End of Report