

Cores and Cylinders



Small Format Interchangeable Core



Model #	Description	Finishes
MBS	Small Format Interchangeable Core	606 - Satin Brass
		613 - Anodized Oil Rubbed Bronze
		626 - Satin Chrome

- ▶ Compatible with housing from Arrow, Best and Falcon
- ▶ Cores are available combined or uncombined
- ▶ 17 Standard keyways
- ▶ 5 T Series keyways
- ▶ 6 Premium keyways
- ▶ 4 Restricted keyways

Keyway Chart	Standard Keyways	T Series Keyways	Premium Keyways	Restricted Keyways
	6 and 7 Pin	6 and 7 Pin	7 Pin Only	7 Pin Only
	1C Arrow	TA	WA	YA
	1D Arrow	TB	WB	YB
	A	TC	WC	YC
	B	TD	WD	YD
	C	TE	WG	
	D		WH	
	DD			
	E			
	F			
	G			
	H			
	J			
	K			
	L			
	M			
	Q			
	R			

How to Order IC Cores:

	Model Number	Pin Length	Keyways	Finish
	MBS-IC	6	Consult	606
	IC	7	Keyway Chart	613
				626
Uncombined	MBS-IC	7	A	626
Combined	IC	7	A	COMB 626

Cores for MB1A H1 Function, add - H suffix. Available in Standard, T-Series and Premium Keyways. 25647 7 pin or 25648 6 pin Hotel throw member also required.

Out of an abundance of caution, MBS has elected to place the Proposition 65 warning on all products shipped to California.

 **WARNING:** These products can expose you to chemicals including chromium, which is known to the State of California to cause cancer and birth defects or other reproductive harm. For more information go to www.P65Warnings.ca.gov.



Announcing our **NEW**

Y SERIES RESTRICTED KEYWAY Keys and Cores



Marshall Best Security is pleased to announce our brand new Y series key designs, YA, YB, YC and YD keyways. Also available is the special pass-through YE keyway that operates in YA through YD cores. **Marshall Best Security** will not sell the Y series key blanks on the open market. Distribution will be limited to our end-user customers only via our **Marshall Best Security** representatives. Such tight control of the keyways drastically reduces the risk of key duplication.



Keys for Small Format Interchangeable Core

- ▶ Nickel Silver
- ▶ Key blank useable for both 6 and 7 pin systems
- ▶ Keys are compatible with Arrow, Best and Falcon cores
- ▶ Keys are available cut or uncut

Keyway Chart	Standard Keyways	T Series Keyways	Premium Keyways	Restricted Keyways
1C Arrow	TA	WA	YA	
1D Arrow	TB	WB	YB	
A	TC	WC	YC	
B	TD	WD	YD	
C	TE	WG	YE*	
D		WH		
DD				
E				
F				
G				
H				
J				
K				
L				
M				
Q				
R				

*YE Pass-through key operates in YA, YB, YC and YD Keyways.

Note: Multi-milled keys available. Consult MBS for details.

How to Order Keys:

	Model Number	Keyway	Cut
	1M1	Consult Keyway Chart	1-Uncut 2-Operating 3-Master/Grandmaster 4-Control
Key	1M1	A	1

Rim Housing



- ▶ Compatible with cores from Arrow, Best and Falcon
- ▶ Furnished with collar mounting plate & screws
- ▶ Tailpiece converts between horizontal & vertical positions
- ▶ Solid brass or bronze construction

How to Order Rim IC Housing:

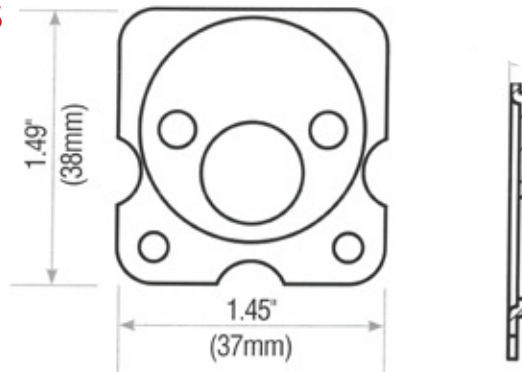
Model Number	Pin Length	Finish
MBS-ICR	6 7	605 - Bright Brass 606 - Satin Brass 612 - Satin Bronze 613 - Anodized Oil Rubbed Bronze 625 - Bright Chrome 626 - Satin Chrome

Rim IC Housing	MBS-ICR	7	626
----------------	---------	---	-----

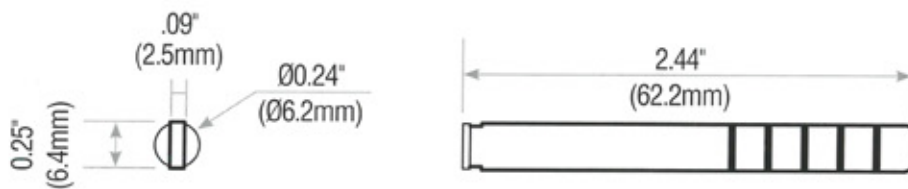
* Omit cam selection when ordering ICR housing

Rim Cylinder Accessories

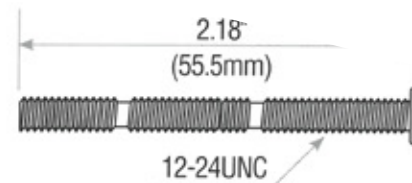
MPT-1 Mounting Plate



TLP-04 Standard Breakoff Tailpiece



SCR-2 Standard Breakoff Retaining Screws



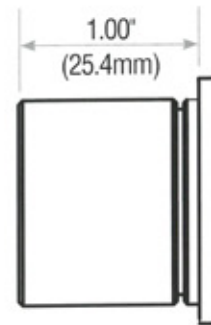
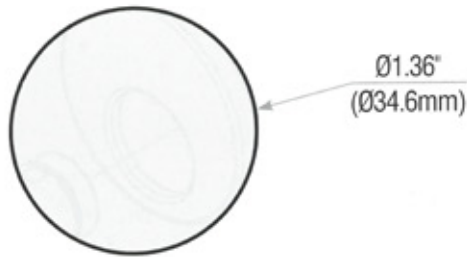


Rim Dummy Cylinders

- ▶ Non-hollow solid brass housing
- ▶ Furnished with collar, mounting plate & screws



Model #	Type	Length
MBS-R118D	Rim Dummy Cylinder	1-1/8" length



MBS-R118D

How to Order Rim Dummy Cylinders

1-1/8" Rim Dummy **Model #**
MBS-R118D

	Finish
Polished Brass	605
Satin Brass	606
Satin Bronze	612
Oil Rubbed Bronze	613
Polished Chrome	625
Satin Chrome	626
Stainless Steel	630

MBS-R118D

606

Mortise Housing



Model Number	Description
MBS-ICT	IC mortise housing Tapered shoulder

- ▶ Compatible with housing from Arrow, Best and Falcon
- ▶ Removable designs allows changing of cams
- ▶ Solid brass construction
- ▶ 7 popular cams

Model Number	Description
MBS-ICM	IC mortise housing Straight shoulder



How to Order Mortise Housing:

Tapered:

Model Number	Length	Finish	Cam
MBS-ICT	114 (1-1/4" 6 pin) 138 (1-3/8" 7 pin)	605 - Bright Brass 606 - Satin Brass 612 - Satin Bronze 613 - Anodized Oil Rubbed Bronze 625 - Bright Chrome 626 - Satin Chrome	Cam2-AR Cam2-BE Cam2-CL Cam2-MB Cam2-SA Cam2-SL Cam2-ST

Tapered Housing	MBS-ICT	138	626	AR
-----------------	---------	-----	-----	----

Straight:

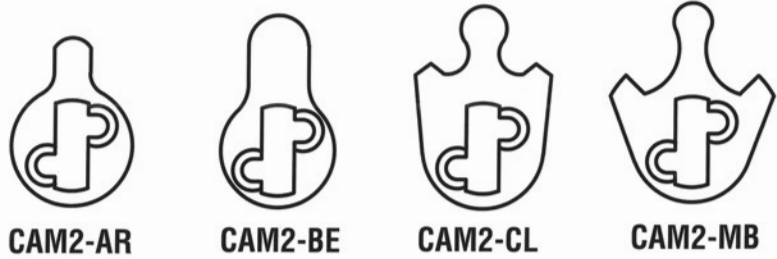
Model Number	Length	Finish	Cam
MBS-ICM	114 (1-1/4" 6 pin) 138 (1-3/8" 7pin) Special Length 7 pin 134 (1-3/4") 200 (2") 214 (2-1/4") 212 (2-1/2")	605 - Bright Brass 606 - Satin Brass 612 - Satin Bronze 613 - Anodized Oil Rubbed Bronze 625 - Bright Chrome 626 - Satin Chrome	Cam2-AR Cam2-BE Cam2-CL Cam2-MB Cam2-SA Cam2-SL Cam2-ST

Straight Housing	MBS-ICM	138	626	AR
------------------	---------	-----	-----	----

Mortise Cam Chart

- ▶ Removable designs allows changing of cams
- ▶ Solid brass construction
- ▶ 7 popular cams

Cam #	Description
CAM2-AR	AdamsRite Cam
CAM2-BE	Best Cam
CAM2-CL	Corbin Cam
CAM2-MB	MBS/Falcon/Saflok Cam
CAM2-SA	Sargent Cam
CAM2-SL	Schlage Cam
CAM2-ST	Yale Cam



Cams are shown actual size.

Mortise Thumb-Turn Cylinders

- ▶ Solid brass construction
- ▶ 3 popular lengths
- ▶ 8 popular cams
- ▶ Ergonomic turn knob provides easy turning
- ▶ Available in eight finishes



ADA Thumb-Turn Cylinder



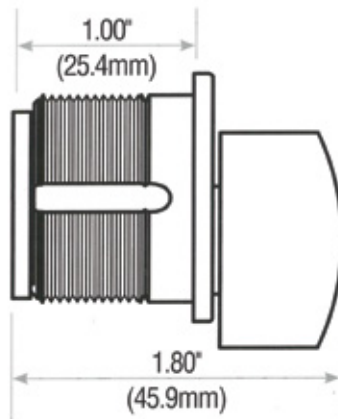
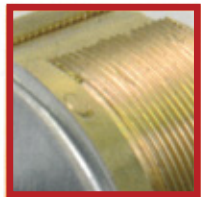
MBS-M100T



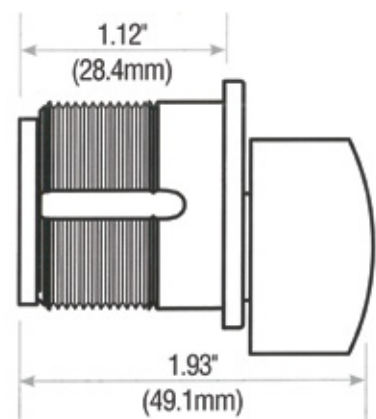
MBS-M114T

MBS-M118T

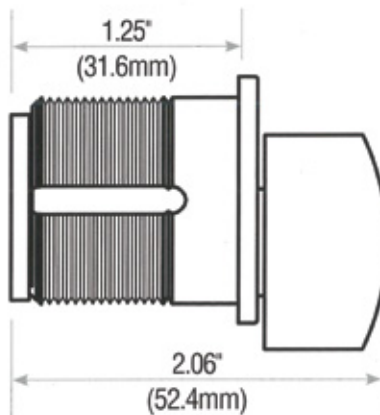
Model #	Type	Length
MBS-M100T	Mortise Thumb-Turn Cylinder	1" length
MBS-M118T	Mortise Thumb-Turn Cylinder	1-1/8" length
MBS-M114T	Mortise Thumb-Turn Cylinder	1-1/4" length
MBS-M100TA	ADA Mortise Thumb-Turn Cylinder	1" length
MBS-M118TA	ADA Mortise Thumb-Turn Cylinder	1-1/8" length
MBS-M114TA	ADA Mortise Thumb-Turn Cylinder	1-1/4" length



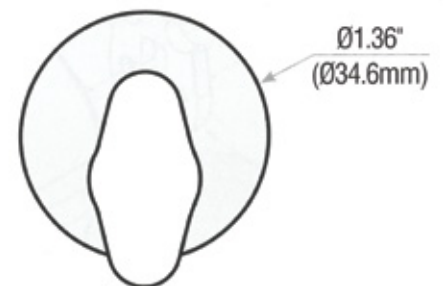
MBS-M100T



MBS-M118T



MBS-M114T



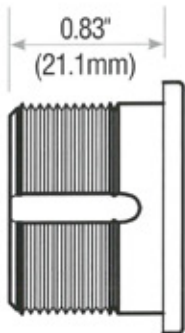
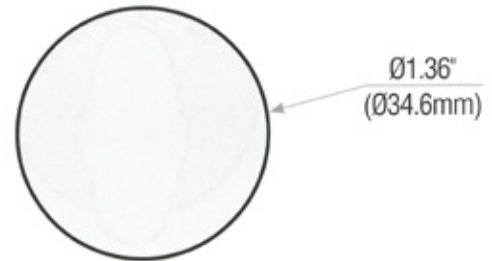


Mortise Dummy Cylinders

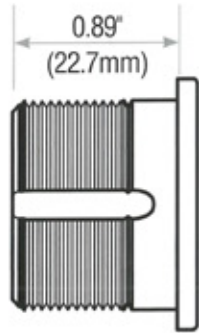
- ▶ Non-hollow solid brass construction
- ▶ 4 popular lengths
- ▶ Exact threads
- ▶ Available in eight finishes



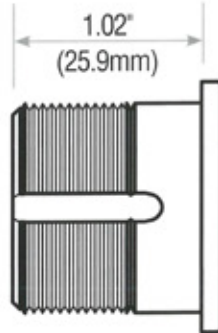
Model #	Type	Length
MBS-M156D	Mortise Dummy Cylinder	15/16" length
MBS-M100D	Mortise Dummy Cylinder	1" length
MBS-M118D	Mortise Dummy Cylinder	1-1/8" length
MBS-M114D	Mortise Dummy Cylinder	1-1/4" length



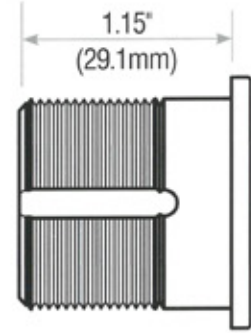
MBS-M156D



MBS-M100D



MBS-M118D



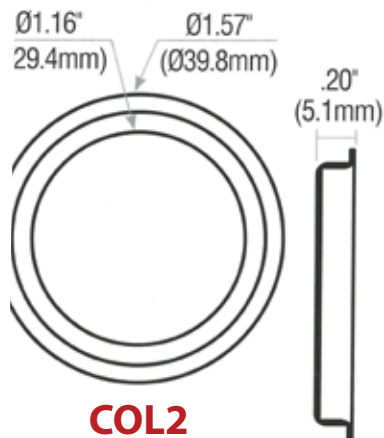
MBS-M114D

How to Order Mortise Dummy and Thumb Turn Cylinders

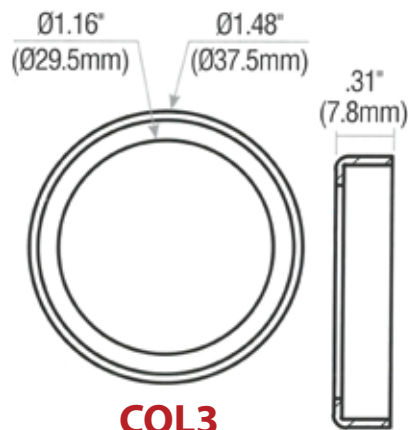
	Model #	Finish	Cam
15/16" Mortise Dummy	MBS-156D	Polished Brass 605	Almet CAM1-AL
1" Mortise Dummy	MBS-100D	Satin Brass 606	Adams Rite CAM1-AR
1-1/8" Mortise Dummy	MBS-118D	Satin Bronze 612	Best CAM1-BE
1-1/4" Mortise Dummy	MBS-114D	Oil Rubbed Bronze 613	Corbin CAM1-CL
15/16" Mortise Thumb-Turn	MBS-156T	Satin Nickel 619	MBS/Falcon/Saflok CAM1-MB
1" Mortise Thumb-Turn	MBS-100T	Polished Chrome 625	Sargent CAM1-SA
1-1/8" Mortise Thumb-Turn	MBS-118T	Satin Chrome 626	Schlage CAM1-SL
1-1/4" Mortise Thumb-Turn	MBS-114T	Stainless Steel 630	Yale CAM1-ST
1" Mortise Thumb-Turn	MBS-M100TA		
1-1/8" Mortise Thumb-Turn	MBS-M118TA		
1-1/4" Mortise Thumb-Turn	MBS-M114TA		
	MBS-156T	606	CAM1-MB

Collars and Rings for Mortise Cylinders

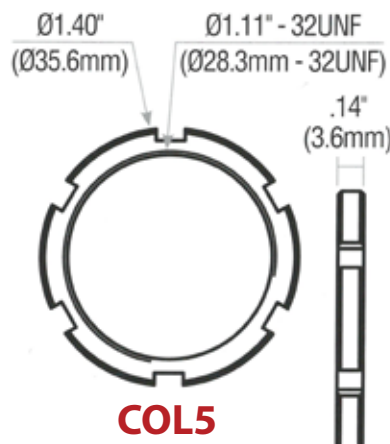
All MBS collars fit standard mortise cylinders and mortise thumb-turn cylinders. Collars are available in 605, 613 and 626 finish only.



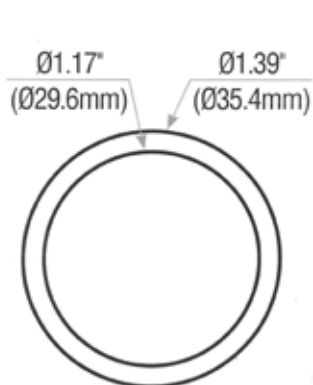
COL2
Trim Ring



COL3
Mortise Collar with
Spring Washer



COL5
1/8" Threaded Ring



COL10
1/8" Blocking
Collar



COL11
1/4" Blocking
Collar



COL12
3/8" Blocking
Collar



COL13
1/2" Blocking
Collar

TR200A - Trim Ring Package

- Three trim rings packaged together as a set
- Includes TR201 (1/8"), TR202 (1/4") and TR203 (3/8") trim
- Available in 605, 613 or 630 finish



Includes TR201, TR202 and TR203

Also available individually

TR201- 1/8" thickness

- 1/8" trim ring
- Available in 605, 613 or 630 finish

TR202 - 1/4" thickness

- 1/4" trim ring
- Available in 605, 613 or 630 finish

TR203 - 3/8" thickness

- 3/8" trim ring
- Available in 605, 613 or 630 finish



Marshall Best Security Corporation

www.MarshallBestSecurity.com

10005 Cumberland Pointe Blvd. • Noblesville, Indiana 46060

317-806-1180 • F: 317-578-2901