



REVERSIBLE GRILL/GRIDDLE
PARRILLA Y PLANCHA REVERSIBLE

User Guide/ Guía del Usuario:
CKSTGR3007-ECO

For product questions contact:

Jarden Consumer Service
USA : 1.800.334.0759
Canada : 1.800.667.8623
www.oster.com

©2012 Sunbeam Products, Inc. doing business as Jarden Consumer Solutions. All rights reserved. Distributed by Sunbeam Products, Inc. doing business as Jarden Consumer Solutions, Boca Raton, Florida 33431.

Para preguntas sobre los productos llame:

Jarden Consumer Service
EE.UU.: 1.800.334.0759
Canadá : 1.800.667.8623
www.oster.com

©2012 Sunbeam Products, Inc. operando bajo el nombre de Jarden Consumer Solutions. Todos los derechos reservados. Distribuido por Sunbeam Products, Inc. operando bajo el nombre de Jarden Consumer Solutions, Boca Raton, Florida 33431.

GCDS-OST27575-ZZ

CKSTGR3007-ECO_12ESM1

P.N. 164257

Printed in China

Impreso en China



Safety
Seguridad



How to use
Cómo usar



Cleaning
Cuidado y Limpieza



Warranty
Garantía

www.oster.com

IMPORTANT SAFEGUARDS

When using electrical appliances, basic safety precautions should always be followed, including the following:

READ AND SAVE THESE INSTRUCTIONS


1. Make sure the voltage in your outlet is the same as the voltage indicated on the appliance's rating label.
2. To protect against the risk of electric shock, DO NOT immerse the cord, plug or unit in water or any other liquid.
3. DO NOT touch hot surfaces. Use handles or knobs.
4. Children should not use this appliance.
5. Unplug from outlet when not in use and before cleaning. Allow unit to cool before putting on or taking off parts, and before cleaning or storing it.
6. NEVER yank the cord to disconnect the unit from the electrical outlet. Instead, grasp the plug and pull it to disconnect.
7. DO NOT operate any appliance with a damaged cord or plug or after the appliance malfunctions or has been damaged in any manner. Return appliance to the nearest authorized service facility for examination, repair, or adjustment.
8. The use or replacement parts or accessories not recommended by the manufacturer may cause fire, electrical shock or injuries.
9. DO NOT use outdoors or for commercial purposes.
10. DO NOT use this appliance for purposes other than the one for which it was designed.
11. DO NOT let the electrical cord hang over the edge of the table or countertop, or touch hot surfaces.
12. DO NOT place on or near a hot gas or electric burner, heated oven or microwave oven.
13. Use it on a heat-resistant, flat level surface only.
14. Extreme caution must be used when moving any appliance containing hot foods or oils or other hot liquids.
15. When using this appliance, provide adequate air space above and on all sides for air circulation.
16. DO NOT leave unit unattended during use.
17. When using this appliance, make sure there are no flammable materials close to it, such as curtains, paper, plastic, etc.
18. Close supervision is necessary when any appliance is used near children, or incapacitated individuals.
19. Always insert temperature probe into the appliance first, then plug cord in the electric wall outlet. To disconnect, turn control dial to the off "O" position, then remove plug from the electric wall outlet.
20. This appliance is not intended to be operated by means of an external timer or separate remote-control system.
21. This appliance is for Household use only.
22. The use of accessory attachments not recommended by the appliance manufacturer may cause injuries.

SAVE THESE INSTRUCTIONS



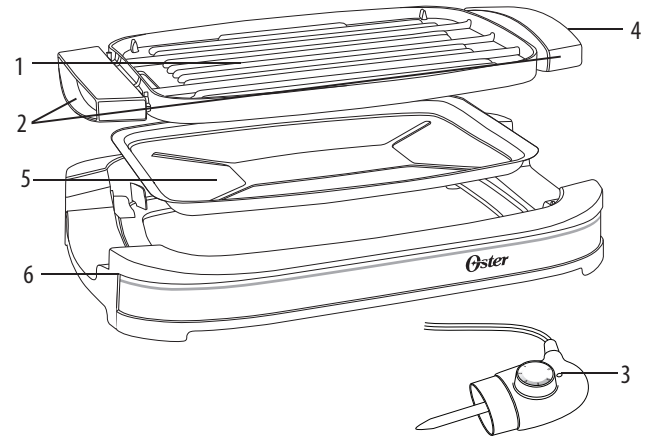
THIS UNIT IS FOR HOUSEHOLD USE ONLY

This appliance is for **HOUSEHOLD USE ONLY**. No user-serviceable parts inside. Do not attempt to service this product. A short power supply cord is provided to reduce the hazards resulting from entanglement or tripping over a longer cord. **AN EXTENSION CORD MAY BE USED WITH CARE; HOWEVER, THE MARKED ELECTRICAL RATING SHOULD BE AT LEAST AS GREAT AS THE ELECTRICAL RATING OF THE GRIDDLE.** The extension cord should not be allowed to drape over the counter or tabletop where it can be pulled on by children or tripped over unintentionally. **ELECTRIC POWER:** If electric circuit is overloaded with other appliances, the Griddle may not operate properly. The Griddle must be operated on a separate circuit from other operating appliances.



POLARIZED PLUG
This appliance has a polarized plug, (one blade is wider than the other). As a safety feature to reduce the risk of electrical shock, this plug is intended to fit in a polarized outlet only one way. If the plug does not fit fully in the outlet, reverse the plug. If it still does not fit, contact a qualified electrician. Do not attempt to defeat this safety feature or modify the plug in any way. If the plug fits loosely into the AC outlet or if the AC outlet feels warm do not use that outlet.

DESCRIPTION OF THE APPLIANCE



1. Reversible Ceramic Non-Stick Cooking Surfaces (Grill on one side and Griddle on the other)
2. Handles
3. Removable Temperature Control Probe with Ready Light
4. Socket for Temperature Control Probe
5. Removable Drip Pan
6. Base





HOW TO:

BEFORE USING YOUR APPLIANCE

Before using your Oster® Reversible Grill/ Griddle for the first time, please follow the instructions below:

1. Remove any stickers from the product.
2. **DO NOT IMMERSE TEMPERATURE CONTROL PROBE IN WATER.**
3. Clean and condition the ceramic non-stick surfaces:
 - a. Make sure the probe is not inserted into the unit; otherwise remove it from the unit. Wash the cooking plate, drip pan and base with a soft sponge with hot, soapy water. Rinse and dry them well.
 - b. Place the drip pan and cooking plate (with Grill side up) back in the base.
 - c. Set the temperature control to the off position "O" and insert the probe into the unit. If temperature control probe is not completely inserted, abnormal heating may occur, resulting in accident or damage.
 - d. To condition the cooking surface, plug the appliance into the appropriate electrical outlet. Turn the temperature control knob clockwise choosing one of the low temperature settings. The orange indicator light will illuminate. Allow the unit to pre-heat until the orange ready light goes off indicating that the selected cooking temperature has been reached.
 - e. Wipe a small amount of butter or margarine onto the cooking surface, spread slightly and wipe away any excess.
 - f. Wait for the unit to cool, remove the temperature control probe and flip the plate (this time the Griddle side should be up).
 - g. Repeat the steps (c) through (e) to condition the griddle cooking surface.

NOTE: When using the unit for the first time, you may notice a fine smoke haze coming out from the unit. This is normal. It is due to the initial heating of internal components.

Your Oster® Reversible Grill/ Griddle is now ready to use and it will not be necessary to condition it again.

USING YOUR APPLIANCE

1. Place the drip pan correctly in the base as illustrated below (see Figure 1).

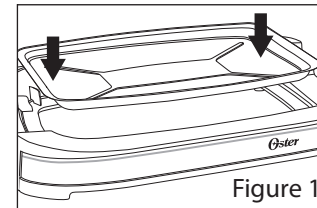


Figure 1

Warning: To prevent personal injury or property damage, this drip pan must be in place during cooking.

2. Place the cooking surface on the base (choose between the Grill or Griddle side depending on what meal you will be preparing) (see Figure 2).

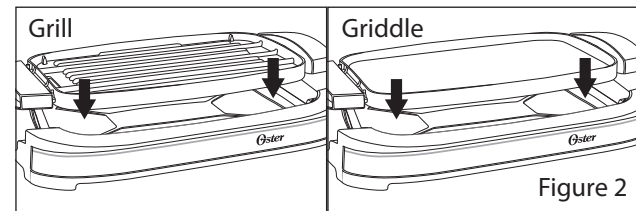


Figure 2



3. Set the temperature dial to the off position "O" and insert the probe into its socket found at the side of the appliance.
4. Plug the power cord into the appropriate electrical outlet.
5. Set the temperature dial to the desired setting and pre-heat the unit until the red ready light goes off.
6. Place the foods to be prepared on top of the ceramic non-stick cooking surface.
7. Allow your foods to cook until done.
NOTE: The red ready indicator light may turn on and off during cooking. This indicates that the thermostat is maintaining the proper cooking temperature to grill/griddle to perfection.
8. After you have finished using your Oster® Reversible Grill/Griddle, turn the temperature dial to the off position "O" and unplug it from the electric outlet.

TIPS AND SUGGESTIONS

- Always pre-heat the unit before using it.
- Be careful when biting into foods containing fillings such as cheese, tomato or jam, as they retain heat and can burn if eaten too quickly after cooking.
- It is not necessary to butter the outside of breads since the unit has a non-stick surface. However, if you would like to brown the bread, it is recommended spreading a small amount of butter or margarine.



CLEANING AND MAINTENANCE

- Unplug and allow unit to cool completely before cleaning.
- Remove temperature control probe. **DO NOT IMMERSE TEMPERATURE CONTROL PROBE IN WATER OR ANY OTHER LIQUID.**
- Remove cooking plate holding it by the handles.
- Remove the drip pan carefully to avoid spilling the water with any collected oils, juices and liquids.
- Wash the cooking plate, drip pan and base with a soft sponge with hot, soapy water. **DO NOT** use a steel wool pad or other abrasive cleansers, which may damage the non-stick surface. Rinse and dry them well. These parts are dishwasher safe.

STORAGE

- Allow appliance to cool before storing.
- Store unit in a dry location such as a tabletop, countertop or a cupboard shelf.





1 Year Limited Warranty

Sunbeam Products, Inc. doing business as Jarden Consumer Solutions or if in Canada, Sunbeam Corporation (Canada) Limited doing business as Jarden Consumer Solutions (collectively "JCS") warrants that for a period of one year from the date of purchase, this product will be free from defects in material and workmanship. JCS, at its option, will repair or replace this product or any component of the product found to be defective during the warranty period. Replacement will be made with a new or remanufactured product or component. If the product is no longer available, replacement may be made with a similar product of equal or greater value. This is your exclusive warranty. Do NOT attempt to repair or adjust any electrical or mechanical functions on this product. Doing so will void this warranty.

This warranty is valid for the original retail purchaser from the date of initial retail purchase and is not transferable. Keep the original sales receipt. Proof of purchase is required to obtain warranty performance. JCS dealers, service centers, or retail stores selling JCS products do not have the right to alter, modify or any way change the terms and conditions of this warranty.

This warranty does not cover normal wear of parts or damage resulting from any of the following: negligent use or misuse of the product, use on improper voltage or current, use contrary to the operating instructions, disassembly, repair or alteration by anyone other than JCS or an authorized JCS service center. Further, the warranty does not cover: Acts of God, such as fire, flood, hurricanes and tornadoes

What are the limits on JCS's Liability?

JCS shall not be liable for any incidental or consequential damages caused by the breach of any express, implied or statutory warranty or condition.

Except to the extent prohibited by applicable law, any implied warranty or condition of merchantability or fitness for a particular purpose is limited in duration to the duration of the above warranty.

JCS disclaims all other warranties, conditions or representations, express, implied, statutory or otherwise.

JCS shall not be liable for any damages of any kind resulting from the purchase, use or misuse of, or inability to use the product including incidental, special, consequential or similar damages or loss of profits, or for any breach of contract, fundamental or otherwise, or for any claim brought against purchaser by any other party.

Some provinces, states or jurisdictions do not allow the exclusion or limitation of incidental or consequential damages or limitations on how long an implied warranty lasts, so the above limitations or exclusion may not apply to you.

This warranty gives you specific legal rights, and you may also have other rights that vary from province to province, state to state or jurisdiction to jurisdiction.

How To Obtain Warranty Service

In the U.S.A.

If you have any question regarding this warranty or would like to obtain warranty service, please call 1-800-334-0759 and a convenient service center address will be provided to you.

In Canada

If you have any question regarding this warranty or would like to obtain warranty service, please call 1-800-667-8623 and a convenient service center address will be provided to you.

In the U.S.A., this warranty is offered by Sunbeam Products, Inc. doing business as Jarden Consumer Solutions located in Boca Raton, Florida 33431. In Canada, this warranty is offered by Sunbeam Corporation (Canada) Limited doing business as Jarden Consumer Solutions, located at 20 B Hereford Street, Brampton, Ontario L6Y 0M1. If you have any other problem or claim in connection with this product, please write our Consumer Service Department.

PLEASE DO NOT RETURN THIS PRODUCT TO ANY OF THESE ADDRESSES OR TO THE PLACE OF PURCHASE.



PRECAUCIONES IMPORTANTES

Cuando use algún aparato eléctrico siempre deben seguirse precauciones básicas de seguridad incluyendo las siguientes:

LEA Y GUARDE ESTAS INSTRUCCIONES

1. Asegúrese de que el voltaje de su tomacorriente sea igual al voltaje que aparece en la etiqueta de especificaciones de su electrodoméstico.
2. Para protegerse contra el riesgo de descargas eléctricas NO sumerja el cable, el enchufe ni la unidad en agua u otros líquidos.
3. **NO TOQUE** las superficies calientes. Utilice las asas o las perillas.
4. Los niños **NO** deben utilizar este artefacto eléctrico.
5. Desenchufe del tomacorriente cuando no esté en uso y antes de limpiarlo. Deje que la unidad se enfríe antes de poner o quitar piezas y antes de limpiarlo o guardarlo.
6. **NUNCA** tire del cable para desconectar la unidad del tomacorriente. En lugar de ello, sujete el enchufe y hálelo para desconectarlo.
7. No opere ningún artefacto si el cable o el enchufe está dañado o el aparato no funcione adecuadamente, o haya sido dañado de alguna forma. Devuelva el artefacto al centro de servicios autorizados más cercano para su revisión, reparación o ajuste.
8. El uso de piezas de reemplazo o accesorios **NO** recomendados por el fabricante puede ocasionar incendios, descargas eléctricas o lesiones.
9. **NO** utilice en exteriores o para fines comerciales.
10. **NO** utilice este electrodoméstico para fines distintos de aquellos para los cuales fue diseñado.
11. **NO** deje que el cable eléctrico cuelgue del borde de la mesa o la mesada ni que entre en contacto con superficies calientes.
12. **NO** coloque cerca o sobre un quemador caliente, ya sea a gas o eléctrico, ni dentro de un horno caliente o de microondas.
13. Utilice el electrodoméstico únicamente sobre una superficie plana resistente al calor.
14. Debe tener mucho cuidado cuando mueva cualquier

aparato que contenga alimentos calientes o aceites u otros líquidos calientes.

15. Al utilizar este electrodoméstico, cerciórese de que haya un espacio libre adecuado en todos los costados para que el aire pueda circular.
16. **NO** descuide la unidad mientras esté en uso.
17. Al utilizar este artefacto eléctrico, asegúrese de que **NO** haya materiales inflamables cerca de él, tales como cortinas, papeles, plásticos, etc.
18. Se requiere estricta supervisión cuando se utilice el electrodoméstico cerca niños o personas discapacitadas.
19. Introduzca siempre el sensor de temperatura primero en el electrodoméstico y luego enchufe el cable en el tomacorriente de pared. Para desconectarlo, gire el dial de control a la posición de apagado "O" y a continuación saque el enchufe del tomacorriente de pared.
20. Este artefacto **NO** ha sido diseñado para funcionar mediante un temporizador externo ni un sistema de control remoto.
21. Este artefacto es de Uso Doméstico solamente.
22. El uso de accesorios no recomendados por el fabricante puede causar daños y lesiones.

GUARDE ESTAS INSTRUCCIONES



E STA UNIDAD ES SÓLO PARA USO DOMESTICO

Este artefacto debe **USARSE SOLO EN EL HOGAR**. No contiene piezas que el usuario pueda utilizar. No intente reparar este producto.

Se proporciona un cable de alimentación corto para reducir los riesgos originados por los enredos o tropezones que provocan los cables largos. **PUEDE USARSE UNA EXTENSION ELECTRICA CON CUIDADO; SIN EMBARGO, LA CLASIFICACION ELECTRICA INDICADA DEBE SER POR LO MENOS TAN ALTA COMO LA DE LA PLANCHA**. No se debe permitir que la extensión eléctrica cuelgue sobre el mostrador o tope del mesón en la que los niños puedan tirar de éste ni donde pueda causar tropezones sin querer.

ENERGÍA ELÉCTRICA: Si el circuito eléctrico se sobrecarga con otros artefactos, la Plancha puede dejar de funcionar adecuadamente. La plancha debe utilizarse en un circuito separado de otros artefactos en funcionamiento.

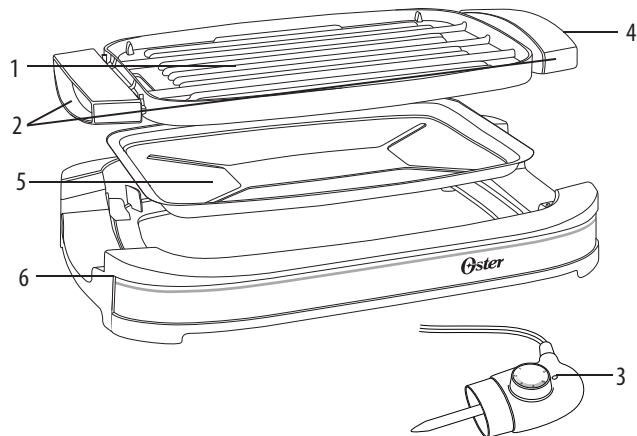


ENCHUFE POLARIZADO

Este artefacto cuenta con una clavija polarizada (una hojilla es más ancha que la otra). Como medida de seguridad para reducir el riesgo de descarga eléctrica, esta

clavija entra sólo de una manera en un enchufe polarizado. Si la clavija no encaja en el enchufe, simplemente colóquela al revés. Si aún así no encaja, contacte a un electricista calificado. De ninguna manera intente modificar esta medida de seguridad o modificar el enchufe. Si el enchufe queda flojo en el tomacorriente o el tomacorriente se recalienta no utilice ese tomacorriente.

DESCRIPCIÓN DEL ARTEFACTO



1. Superficies de cocción reversibles de cerámica antiadherente (Parrilla de un lado y Plancha del otro)
2. Asas
3. Sensor de control de temperatura removible con luz indicadora de listo
4. Receptáculo para el sensor de control de temperatura
5. Bandeja de goteo removible
6. Base





HOW TO:

QUÉ HACER ANTES DE UTILIZAR SU PARRILLA/PLANCHA OSTER®

Antes de utilizar su parrilla y plancha reversible Oster® por primera vez, siga las instrucciones que se describen a continuación:

1. Retire todas las etiquetas del producto.
2. **NO SUMERJA EL SENSOR DE CONTROL DE TEMPERATURA EN AGUA.**
3. Limpie y acondicione la superficie antiadherente:
 - a. Asegúrese de que el sensor no esté dentro de la unidad; de ser así, retírelo. Lave la plancha de cocción, la bandeja de goteo, y la base utilizando una esponja suave y agua caliente jabonosa. Enjuague y seque bien las piezas.
 - b. Vuelva a colocar la bandeja de goteo y la plancha de cocción (con el lado de la Parrilla hacia arriba) en la base.
 - c. Ajuste el control de temperatura a la posición de apagado "O" e introduzca el sensor en la unidad. Si el sensor de control de temperatura no se introduce completamente puede producirse un calentamiento anormal que podría causar accidentes o daños.
 - d. Para acondicionar la superficie de cocción, enchufe el electrodoméstico en un tomacorriente de pared adecuado. Gire la perilla de control de temperatura hacia la derecha y elija una de las graduaciones de temperatura más bajas. La luz indicadora anaranjada se encenderá. Deje que la unidad realice el ciclo de precalentamiento hasta que la luz indicadora anaranjada se apague, indicando que se ha alcanzado la temperatura de cocción seleccionada.
 - e. Frote una pequeña cantidad de mantequilla o margarina sobre la superficie de cocción; espárzala ligeramente y elimine cualquier excedente.

- f. Espere hasta que la unidad se haya enfriado, remueva el sensor de control de temperatura y voltee la superficie de cocción (colocando el lado de la Plancha hacia arriba).
- g. Repita los pasos de (c) hasta (e) para acondicionar la superficie de cocción de la plancha.

NOTA: Al utilizar la unidad por primera vez quizás observe una fina bruma de humo proveniente del artefacto. Esto es normal. Se debe al calentamiento inicial de los componentes internos. Su parrilla y plancha reversible Oster® ya está lista para usar y no será necesario volverla a acondicionar.

USO DE SU PARRILLA/PLANCHA OSTER®

1. Coloque la bandeja de goteo adecuadamente en la base, según se ilustra abajo (ver la Figura 1).

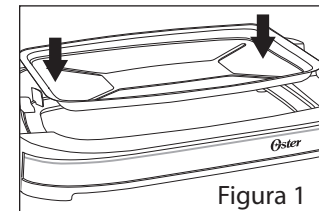


Figura 1

Advertencia: Para prevenir lesiones personales o a la propiedad, esta bandeja de goteo debe estar en su lugar durante el proceso de cocción.

2. Coloque la superficie de cocción en la base (elija entre el lado de la Parrilla o de la Plancha según lo que vaya a preparar) (ver la Figura 2).

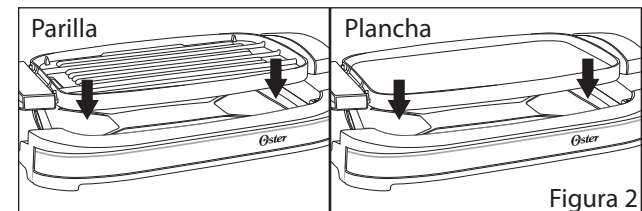


Figura 2



3. Gradúe el dial de temperatura a la posición de apagado "O" e introduzca la sonda en el receptáculo que se encuentra en el costado del electrodoméstico.
4. Enchufe el cable de alimentación en el tomacorriente correspondiente.
5. Ajuste el dial de temperatura a la graduación deseada y precaliente la unidad hasta que la luz indicadora anaranjada se apague.
6. Coloque los alimentos que va a preparar sobre la superficie de cocción antiadherente.
7. Deje que los alimentos se cocinen hasta que estén listos.
NOTA : La luz indicadora roja puede encenderse y apagarse durante el proceso de cocción. Esto indica que el termostato está manteniendo la temperatura de cocción adecuada para asar a la perfección.
8. Al terminar de usar su parilla y plancha reversible Oster® gire el dial de temperatura a la posición de apagado "O" y desenchúfela del tomacorriente.

CONSEJOS Y SUGERENCIAS

- Precaliente siempre la unidad antes de utilizarla.
- Tenga cuidado al probar alimentos que contengan rellenos, tales como queso, tomate o jamón, ya que éstos conservan el calor y pueden producir quemaduras si se consumen inmediatamente después de cocinarlos.
- No es necesario untar mantequilla en la parte de afuera de los panes ya que la unidad posee una superficie antiadherente. Sin embargo, si desea tostar el pan se recomienda untar una pequeña cantidad de mantequilla o margarina.



LIMPieza Y MANTENIMIENTO

- Desenchufe la unidad y deje que se enfríe antes de limpiarla.
- Quite el sensor de control de temperatura. **NO SUMERJA EL SENSOR DE CONTROL DE TEMPERATURA EN AGUA NI EN NINGÚN OTRO LIQUIDO.**
- Saque la plancha de cocción sujetándola por las asas.
- Retire con cuidado la bandeja de goteo para evitar derramar el agua con los aceites, jugos y demás líquidos recolectados.
- Lave la plancha de, la bandeja de goteo y la base utilizando una esponja suave y agua caliente jabonosa. **NO utilice un estropajo de acero o cualquier otro limpiador abrasivo que pueda dañar la superficie antiadherente.** Enjuague y seque bien las piezas. Estas piezas son aptas para uso en lavaplatos automáticos.

ALMACENAMIENTO

- Deje que el electrodoméstico se enfríe antes de guardarlo.
- Almacene la unidad en un lugar seco, como por ejemplo sobre una mesa, mesada o en el estante de un aparador.





Garantía Limitada de 1 Año

Sunbeam Products, Inc. operando bajo el nombre de Jarden Consumer Solutions, o en Canadá, Sunbeam Corporation (Canada) Limited operando bajo el nombre de Jarden Consumer Solutions, (en forma conjunta, "JCS"), garantiza que por un período de un año a partir de la fecha de compra, este producto estará libre de defectos de materiales y mano de obra. JCS, a su elección, reparará o reemplazará este producto o cualquier componente del mismo que presente defectos durante el período de garantía. El reemplazo se realizará por un producto o componente nuevo o reparado. Si el producto ya no estuviera disponible, se lo reemplazará por un producto similar de valor igual o superior. Ésta es su garantía exclusiva. No intente reparar o ajustar ninguna función eléctrica o mecánica de este producto. Al hacerlo eliminará ésta garantía.

La garantía es válida para el comprador minorista original a partir de la fecha de compra inicial y la misma no es transferible. Conserve el recibo de compra original. Para solicitar servicio en garantía se requiere presentar un recibo de compra. Los agentes y centros de servicio de JCS o las tiendas minoristas que venden productos de JCS no tienen derecho a alterar, modificar ni cambiar de ningún otro modo los términos y las condiciones de esta garantía.

Esta garantía no cubre el desgaste normal de las piezas ni los daños que se produzcan como resultado de uso negligente o mal uso del producto, uso de voltaje incorrecto o corriente inapropiada, uso contrario a las instrucciones operativas, y desarme, reparación o alteración por parte de un tercero ajeno a JCS o a un Centro de Servicio autorizado por JCS. Asimismo, la garantía no cubre actos fortuitos tales como incendios, inundaciones, huracanes y tornados.

¿Cuál es el límite de responsabilidad de JCS?

JCS no será responsable de daños incidentales o emergentes causados por el incumplimiento de alguna garantía o condición expresa, implícita o legal. Excepto en la medida en que lo prohíba la ley aplicable, cualquier garantía o condición implícita de comerciabilidad o aptitud para un fin determinado se limita, en cuanto a su duración, al plazo de la garantía antes mencionada.

JCS queda exenta de toda otra garantías, condiciones o manifestaciones, expresa, implícita, legal o de cualquier otra naturaleza.

JCS no será responsable de ningún tipo de daño que resulte de la compra, uso o mal uso del producto, o por la imposibilidad de usar el producto, incluidos los daños incidentales, especiales, emergentes o similares, o la pérdida de ganancias, ni de ningún incumplimiento contractual, sea de una obligación esencial o de otra naturaleza, ni de ningún reclamo iniciado contra el comprador por un tercero.

Algunas provincias, estados o jurisdicciones no permiten la exclusión o limitación de los daños incidentales o emergentes ni las limitaciones a la duración de las garantías implícitas, de modo que es posible que la exclusión o las limitaciones antes mencionadas no se apliquen en su caso.

Esta garantía le otorga derechos legales específicos y es posible que usted tenga otros derechos que varían de un estado, provincia o jurisdicción a otro.

Cómo solicitar el servicio en garantía

En los Estados Unidos

Si tiene alguna pregunta sobre esta garantía o desea recibir servicio de garantía, llame al 1-800-334-0759 y podrá obtener la dirección del centro de servicio que le resulte más conveniente.

En Canadá

Si tiene alguna pregunta sobre esta garantía o desea recibir servicio de garantía, llame al 1-800-667-8623 y podrá obtener la dirección del centro de servicio que le resulte más conveniente.

En los Estados Unidos, esta garantía es ofrecida por Sunbeam Products, Inc. operando bajo el nombre de Jarden Consumer Solutions, Boca Ratón, Florida 33431. En Canadá, esta garantía es ofrecida por Sunbeam Corporation (Canada) Limited operando bajo el nombre de Jarden Consumer Solutions, 20 B Hereford Street, Brampton, Ontario L6Y 0M1. Si usted tiene otro problema o reclamo en conexión con este producto, por favor escriba al Departamento de Servicio al Consumidor.

POR FAVOR NO DEVUELVA ESTE PRODUCTO A NINGUNA DE ESTAS DIRECCIONES NI AL LUGAR DE COMPRA.

