

Revision n°00

Spare parts catalogue **1100^{EVO}SP** model year 2010 U.S.A.



HYPERMOTARD

Spare parts catalogue part number: 915.1.305.1B

GENERAL INFORMATION

The present spare parts order exactly the right spare parts

When ordering specify:

1) the part's code number followed by its description; quantity needed;

2) the motorcycle's serial number, stamped on the steering head.

Reference to right and left apply to the vehicle in terms of its direction of movement.

Spare parts drawings are general and do not represent the part.

The contents of this catalogue are general and can undergo changes without prior notice.

VALIDITY

f.m. Until V.I.N.
d.m. From V.I.N.
f.m.m. Up to engine number
d.m.m. From engine number

LIST

CAL California
CDN Canada

*Ducati Motor Holding S.p.A.
Commercial and Administration Office:
Via A. Cavalieri Ducati n. 3
40132 Bologna, Italy
Telefono 051 6413111
Fax 051 406580
Internet www.ducati.com*

CATALOGUE No: 915.1.305.1B
ISSUED: 11 - 09

CATALOGUE No: 915.1.305.1B
ISSUED: 11 - 09

HYPERMOTARD 1100 ^{EVO} SP

Paints

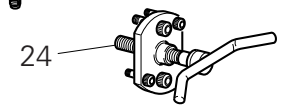
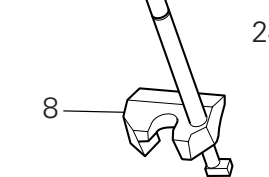
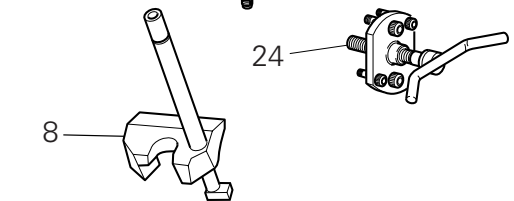
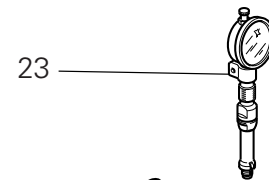
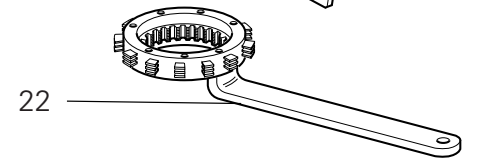
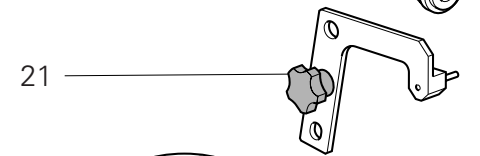
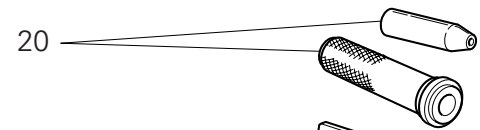
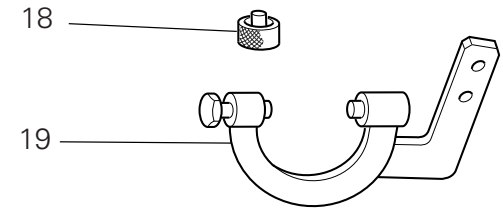
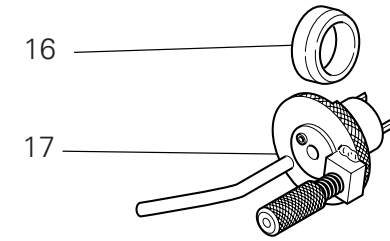
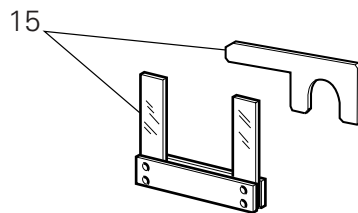
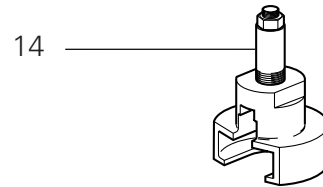
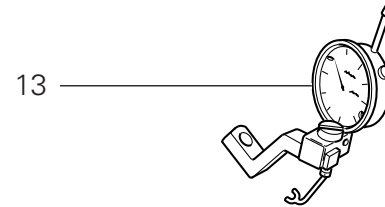
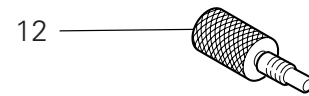
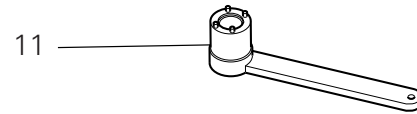
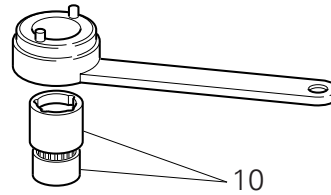
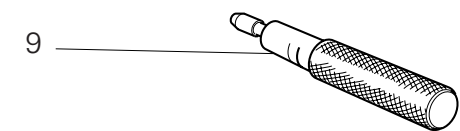
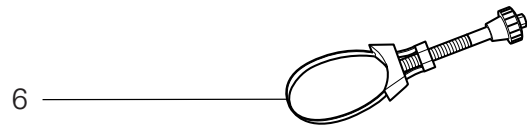
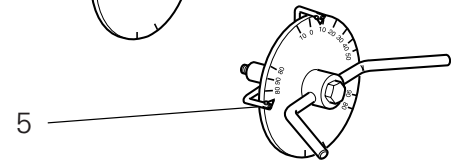
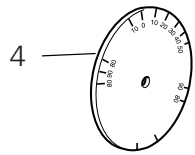
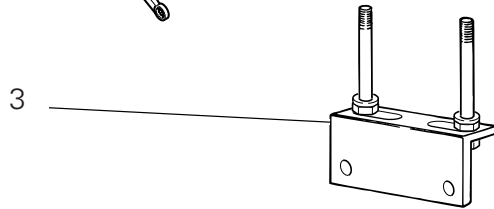
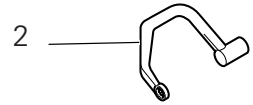
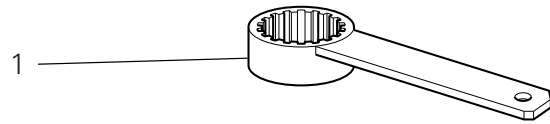


Paint	Code
"Rosso Anniversary DUCATI"	(PPG) 473.101
"Bianco Perla"	(PPG) 490.019
"Trasparente"	(PPG) 228.880

page	Contents
4	001 Workshop service tools
6	001a Workshop service tools
8	001b Dds tester
10	001c Workshop service tools
12	002 Gearchange control
14	003 Gearbox
16	004 Clutch
18	005 Clutch-side crankcase cover
20	006 Connecting rods
22	007 Cylinders - pistons
24	008 Timing system
26	009 Filters and oil pump
28	010 Crankcase halves
30	011 Alternator-side crankcase cover
32	012 Electric starting and ignition
34	013 Cylinder head : timing system
36	014 Vertical cylinder head
38	015 Horizontal cylinder head
40	016 Intake manifolds
42	017 Exhaust system
44	018 Stands
46	019 Electrical system
48	019a Battery support
50	020 Electrical system
52	021 Headlight & instr. panel
54	022 Number plate holder
56	023 Front forks
58	024 Front and rear wheels
60	025 Rear wheel axle
62	026 Handlebar and controls
64	027 Clutch control
66	028 Front brake
68	029 Rear brake
70	030 Frame
72	031 R.h. footrests
74	031a L.h. footrests
76	032 Swingarm
78	033 Rear suspension
80	034 Air intake - oil breather
82	035 Oil cooler
84	036 Fuel tank
86	037 Fuel system
88	038 Seat - tail light
90	039 Headlight fairing
92	039a Fairing
94	040 Evaporative emissions canister
96	041 Data plate positions


DRAWING 001

Workshop service tools



DRAWING 001

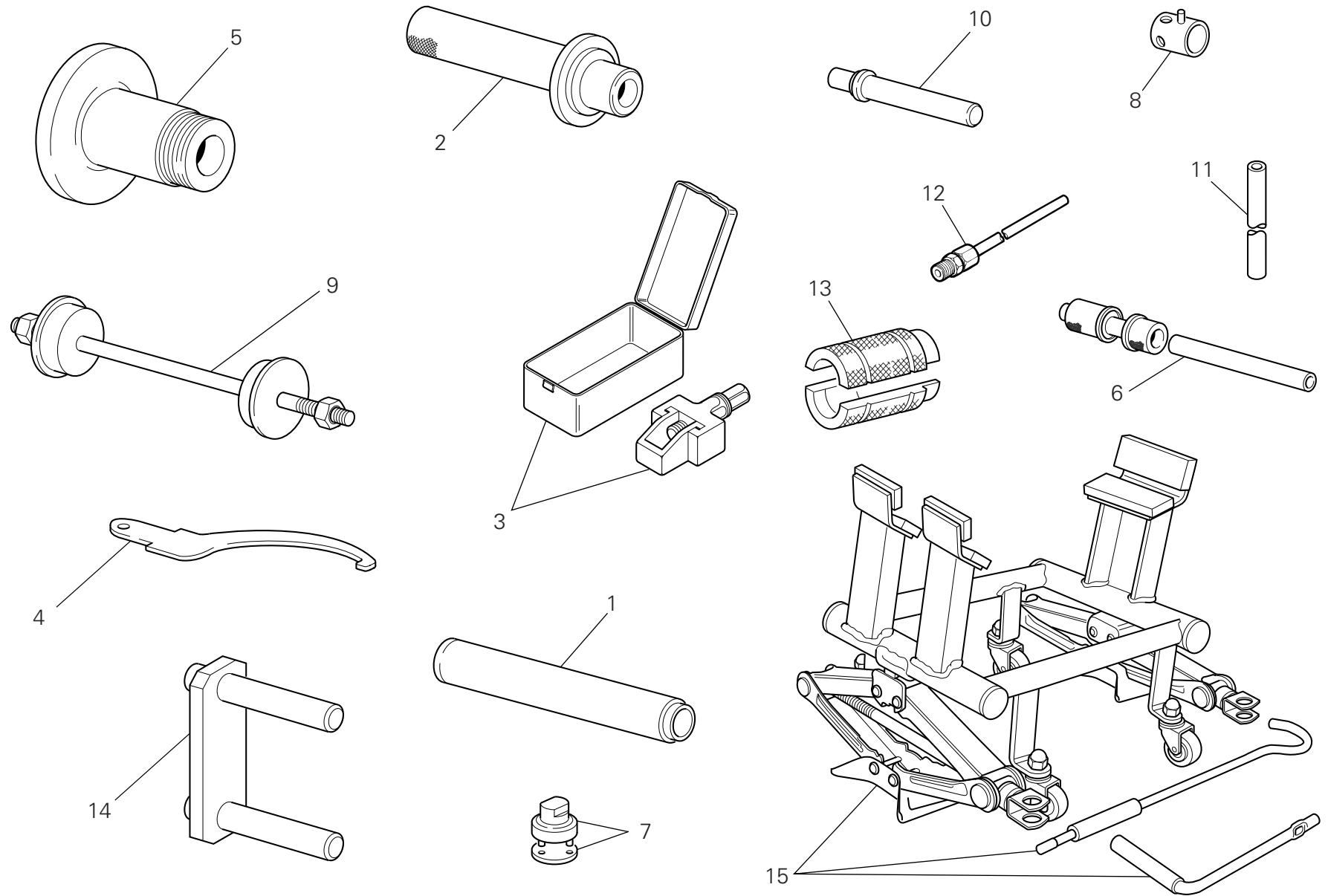
Workshop service tools

NOTES NO.	CODE NO.	DESCRIPTION	VALIDITY	Q.TY 
1	88713.3218	Wrench for holding timing belt rollers ring nuts		1
2	88713.2676	Head nuts holder wrench		1
3	88713.2103	Head mounting base		1
4	98112.0002	Degree wheel		1
5	88713.0123	Degree wheel holder tool for ignition advance check		1
6	88713.2906	Wrench to tighten oil filter cartridge		1
7	88713.2669	Roller cage fitting tool on primary shaft		1
8	88713.2783	Tool for assembling closing rocker and spring		1
9	88713.2442	Tool to drive valve seal ring ø7		1
10	88700.5644	Wrench for camshaft pulley ring nut adjustment		1
11	88713.0137	Crankshaft gear holder wrench for tightening nut		1
12	88713.2282	Belt roller timing of two-valva head		1
13	88765.1058	Valve lift gauge		1
14	88713.2092	Extractor for primary drive gear		1
15	88713.2878	Spacer and fork feeler gauge 0,2/0,3 mm		1
16	88700.5665	Sleeve for installing clutch bell gear		1
17	88713.2011	Tool to hold crankshaft in TDC position		1
18	88765.1322	Spacer for checking lower valve shim		1
19	88713.2036	Flywheel Wrench		1
20	88700.5749	Crankcases assembling cap		1
21	88713.3334	Plate for positioning gear engagement fork		1
22	88713.2133	Wrench to hold clutch housing drum steady		1
23	88765.1297	T.D.C. control gauge		1
24	88713.1749	Drive roller puller		1

CATALOGUE No: 915.1.305.1B
ISSUED: 11 - 09


NOTES NO.	CODE NO.	DESCRIPTION	VALIDITY	Q.TY 
-----------	----------	-------------	----------	--

CATALOGUE No: 915.1.305.1B
ISSUED: 11 - 09



HYPERMOTARD 1100^{EVO} SP

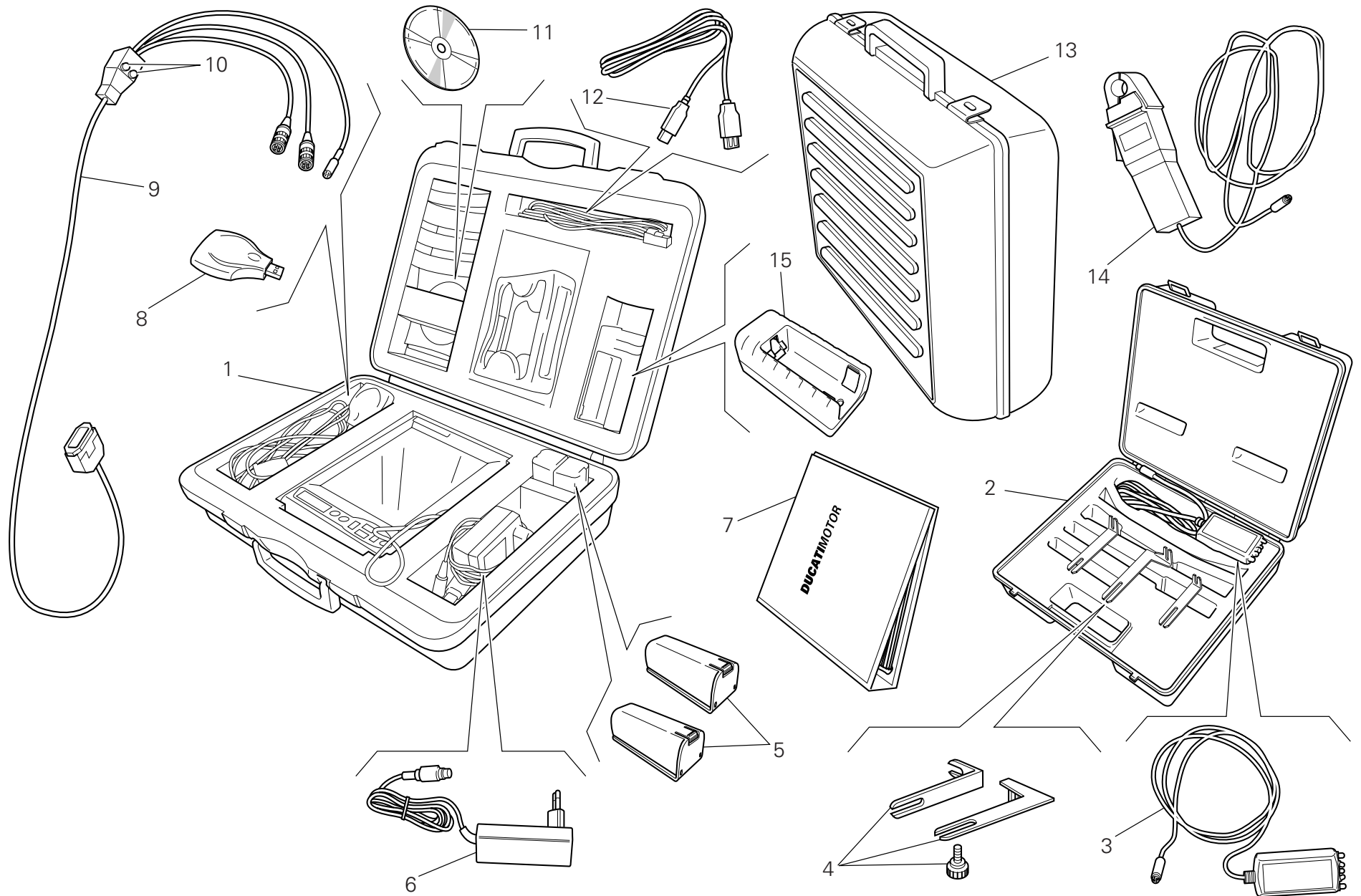
DRAWING 001a Workshop service tools

NOTES NO.	CODE NO.	DESCRIPTION	VALIDITY	Q.TY 
1	88713.1072	Stopper for driving the half bearing of the steering head base		1
2	88713.1068	Stopper for assembling the rear fork roller bearings		1
3	88713.1344	Tool for assembling chain		1
4	88713.1038	Wrench for adjusting the eccentric hub		1
5	88713.1073	Tool for balancing rear wheel		1
6	88713.2409	Tool for assembling the swingarm ball bearings		1
7	88713.1058	Wrench for assembling the steering head cap		1
8	8000.70139	Wrench for front wheel spindle		1
9	88713.1062	Tool for assembling the steering head bearings		1
10	88713.1071	Stopper for assembling the rocker needle bearings		1
11	88713.3203	Draw bar for MARZOCCHI forks overhauling		1
12	88713.1010	Union for exhaust gas suction		1
13	88713.3204	Tool for overhauling MARZOCCHI forks - assembling seal ring		1
14	88713.1515	Frame/engine mount		1
15	88713.3396	Bench for engine repair		1

NOTES NO.	CODE NO.	DESCRIPTION	VALIDITY	Q.TY 
-----------	----------	-------------	----------	--

CATALOGUE No: 915.1.305.1B
ISSUED: 11 - 09


CATALOGUE No: 915.1.305.1B
ISSUED: 11 - 09



HYPERMOTARD 1100^{EVO} SP

DRAWING 001b

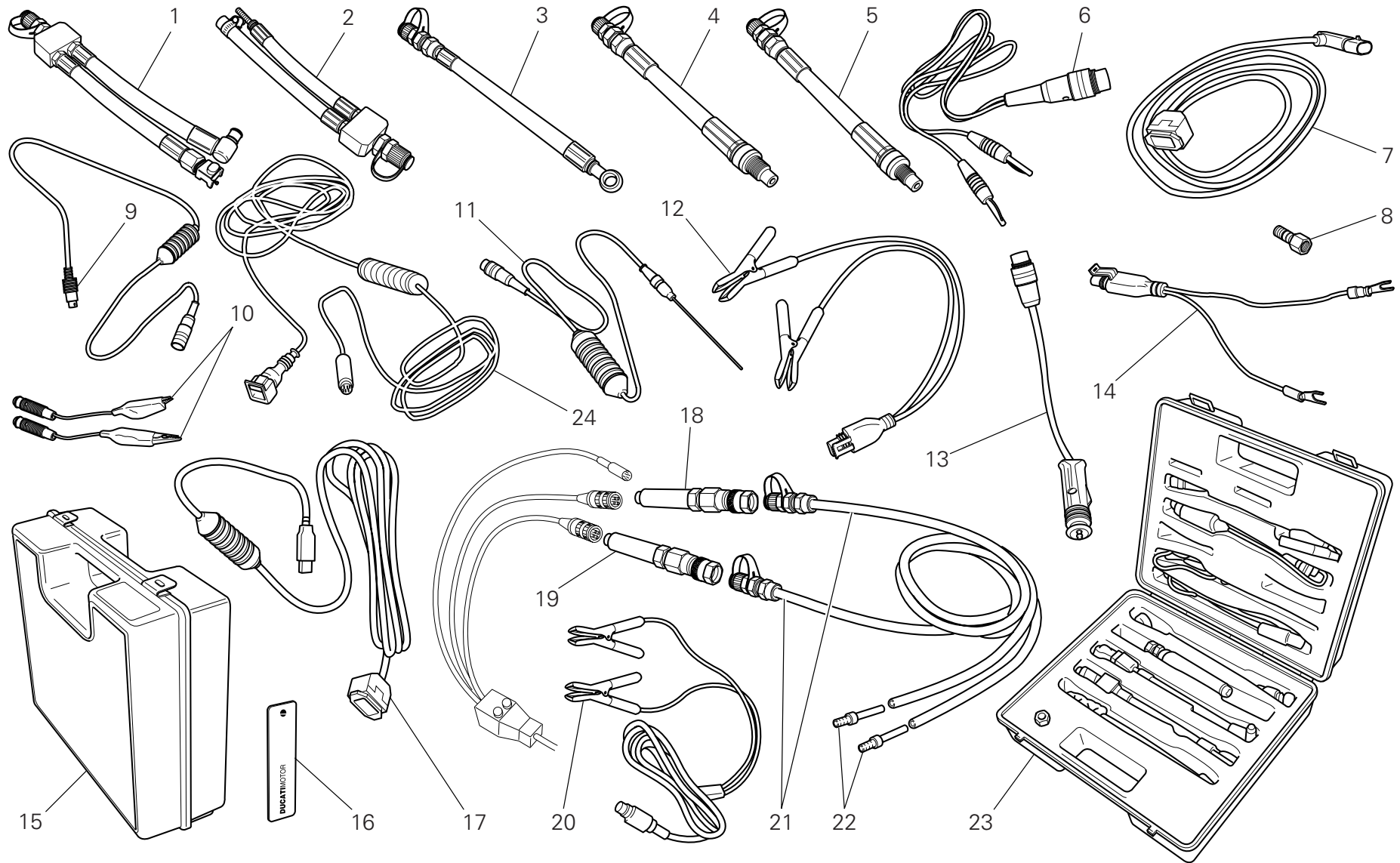
Dds tester

NOTES NO.	CODE NO.	DESCRIPTION	VALIDITY	Q.TY 
1	97900.0215	DDS (Ducati Diagnosis System) + manifold vacuum meter. kit		1
2	97900.0002	Belt tensioning kit		1
3	88765.1371	Sensor		1
4	88765.1374	Bracket		1
5	97900.0216	Battery		2
6	97900.0224	Feeder		1
7	97900.0232	DDS manual		1
8	97900.0225	(USB) Memory card reader		1
9	97900.0222	Main cable 1060838		1
10	97900.0219	Fuse		2
11	97900.0223	Software DDS CD		1
12	97900.0226	(USB) Cable extension		1
13	97900.0229	Black case with sponge rubber		1
14	97900.0234	Amperometer plier		1
15	97900.0217	Battery charger		1

NOTES NO.	CODE NO.	DESCRIPTION	VALIDITY	Q.TY 
-----------	----------	-------------	----------	--

CATALOGUE No: 915.1.305.1B
ISSUED: 11 - 09

CATALOGUE No: 915.1.305.1B
ISSUED: 11 - 09



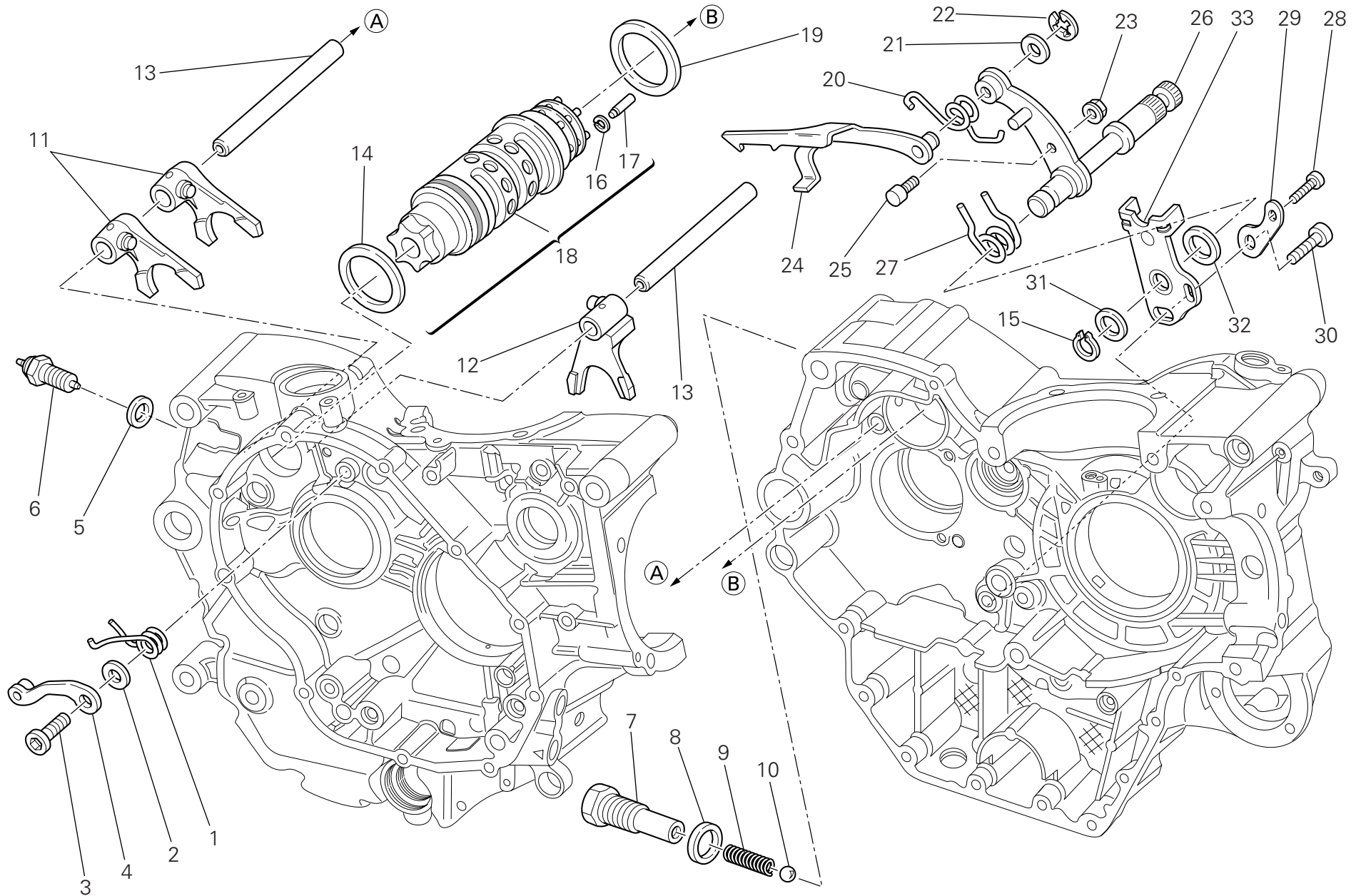
DRAWING **001c** Workshop service tools

NOTES NO.	CODE NO.	DESCRIPTION	VALIDITY	Q.TY 
1	590.1.189.1A	Fuel pressure line HS.		1
2	590.1.190.1A	Fuel pressure line ST/SS/M.		1
3	875.1.065.1A	Oil pressure line		1
4	552.1.037.1A	Fitting - cylinder compression M12		1
5	552.1.038.1A	Fitting - cylinder compression M10		1
6	514.1.037.1A	Cable Volt PF DUC 21		1
7	97900.0227S	Main cable (SIEMENS)		1
8	814.1.114.1A	Oil pressure fitting		1
9	514.1.032.1A	Cable for supplementary tests		1
10	514.1.035.1A	Red clamp cable		1
10	514.1.036.1A	Black clamp cable		1
11	552.1.040.1A	Temperature probe		1
12	97900.0228	Battery connection adapter		1
13	514.1.033.1A	Electric lighter connection adapter (ST)		1
14	514.1.038.1A	Battery connection adapter		1
15	698.1.033.1A	Red case with sponge rubber		1
16	88765.1126T	DUCATI sticker RH/LH side		2
17	97900.0231	(USB) Adaptor		1
18	97900.0218	Depressure sensor		1
19	552.1.039.1A	Pressure sensor		1
20	97900.0230	Feeder		1
21	97900.0220	Depressure/pressure line		2
22	97900.0221	Union		4
23	97900.0003	Pressure kit		1
24	88765.1126C	Cable for potentiometer adjustment		1

NOTES NO.	CODE NO.	DESCRIPTION	VALIDITY	Q.TY 
-----------	----------	-------------	----------	--

CATALOGUE No: 915.1.305.1B
ISSUED: 11 - 09


CATALOGUE No: 915.1.305.1B
ISSUED: 11 - 09




HYPERMOTARD 1100^{EVO} SP

DRAWING 002

Gearchange control

NOTES NO.	CODE NO.	DESCRIPTION	VALIDITY	Q.TY 
1	799.1.049.1A	Return spring		1
2	852.1.053.2A	Washer		1
3	779.1.039.1A	Special screw		1
4	455.2.003.1A	Gear stopper assembly		1
5	852.5.024.1A	Gasket th.1		1
6	539.1.021.1B	Neutral indicator switch		1
7	779.1.203.3A	Special screw		1
8	0272.91.090	Gasket		1
9	0660.13.143	Gear selector spring		1
10	76835.1134	Ball		1
11	180.1.001.1A	1st,4th-2nd,3rd gear selector fork		2
12	180.1.002.1A	5th,6th gear selector fork		1
13	0660.13.070	Fork pin		2
14	852.1.005.1A	Shim th. 1		1
15	73500.1542	Circlip		1
16	884.5.048.1A	Needle retaining ring		6
17	821.1.325.1A	Pin		6
18	182.2.028.3A	Complete gearbox drum		1
19	852.1.094.1A	Shim th. 0.9		1
20	799.1.482.1A	Fork return spring		1
21	0400.09.050	Shim th. 0.5		1
21	0765.92.205	Shim th. 0.2		2
22	884.5.034.1A	Ring		1
23	748.1.040.1A	Nut		1
24	180.1.008.1A	Gearbox drum control fork		1
25	0660.13.165	Gearchange lever pin		1
26	821.1.001.1A	Pin with gearchange lever		1

CATALOGUE No: 915.1.305.1B
ISSUED: 11 - 09

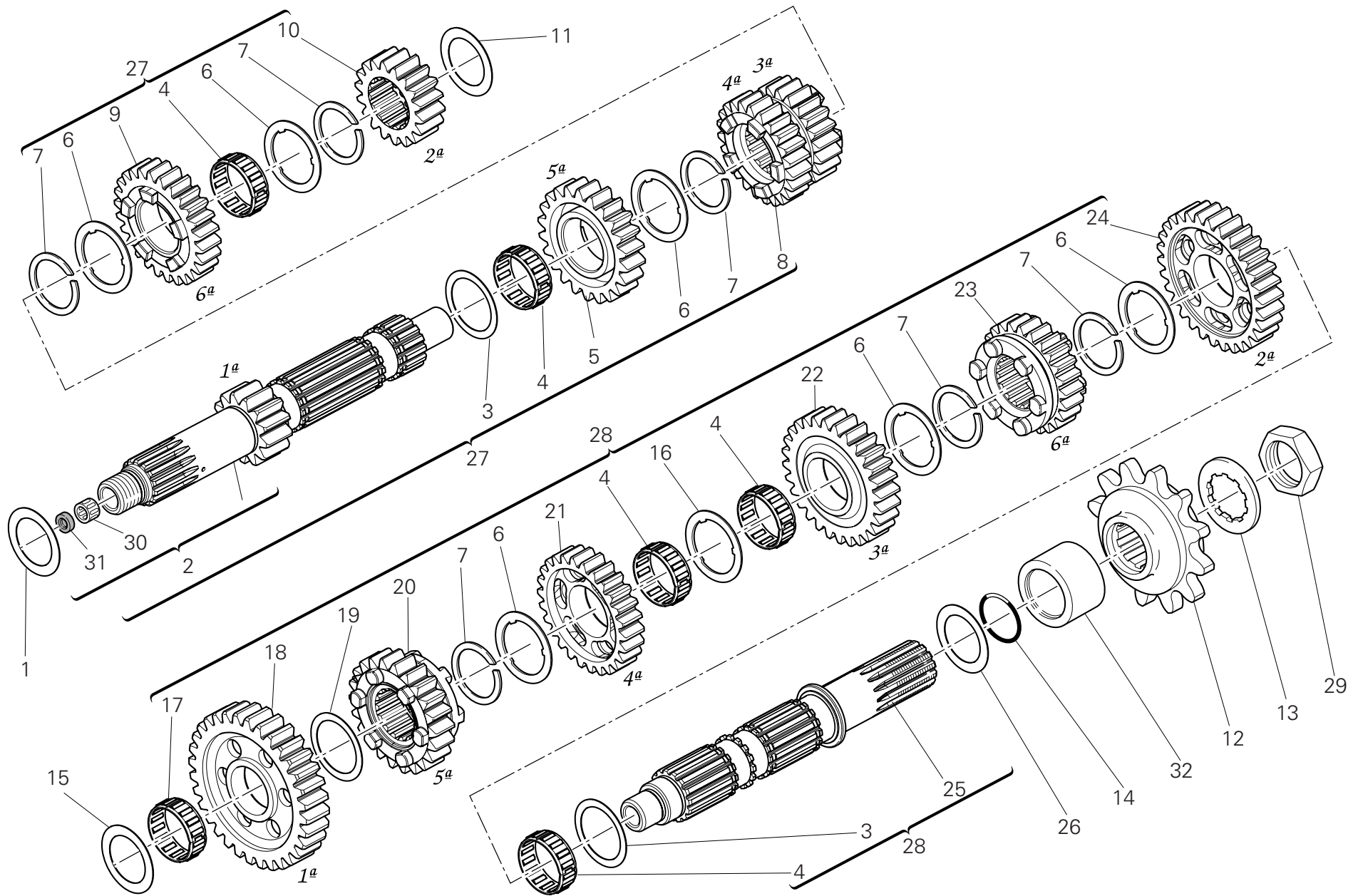
NOTES NO.	CODE NO.	DESCRIPTION	VALIDITY	Q.TY 
27	0799.13.110	Gearchange lever return spring		1
28	771.5.067.0Z	Screw		1
29	713.1.915.1A	Spacer		1
30	771.5.125.0Z	Screw		1
31	0400.29.125	Shim th. 0.2		2
31	0400.29.126	Shim th. 0.5		1
32	881.1.012.1A	Centering ring		1
33	826.1.029.1A	Stopper plate		1

CATALOGUE No: 915.1.305.1B
ISSUED: 11 - 09

HYPERMOTARD 1100 EVO SP

DRAWING 003

Gearbox




HYPERMOTARD 1100^{EVO} SP

DRAWING 003

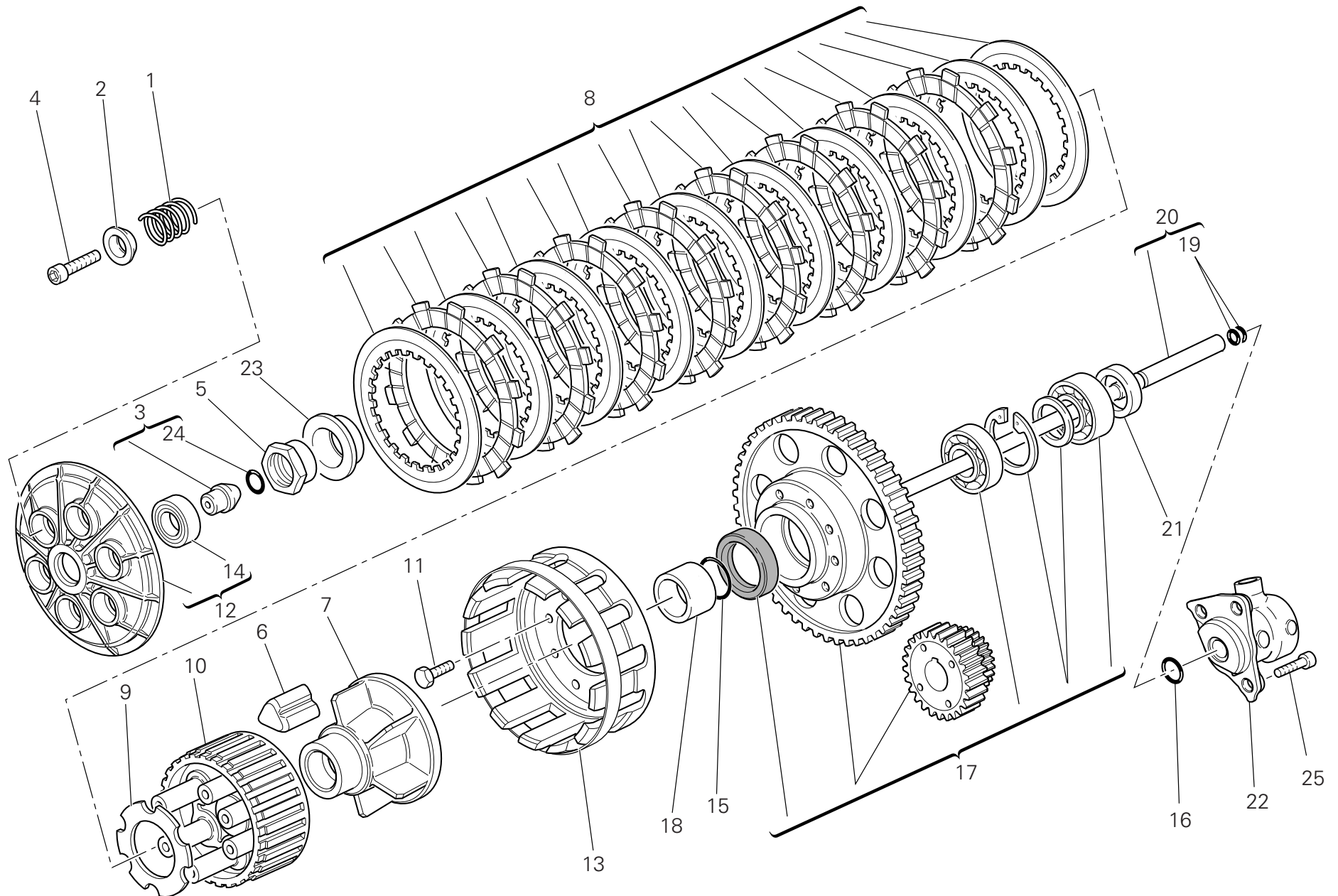
Gearbox

NOTES NO.	CODE NO.	DESCRIPTION	VALIDITY	Q.TY 
1	0251.47.054	Shim th. 1.2		1
2	150.2.105.1A	Gearbox main shaft		1
3	0670.16.150	Shim th. 0.5		2
4	701.4.005.1A	Needle bearing		5
5	172.1.004.3A	Driving gear 5th sp.		1
6	856.1.001.1A	Grooved washer th. 0.5		6
7	0670.16.145	Snap ring		6
8	172.1.003.3A	Driving gear 3rd/4th sp.		1
9	172.1.005.3A	Driving gear 6th sp.		1
10	172.1.002.1B	Driving gear 2nd sp.		1
11	713.1.014.1E	Shim th. 1.6		1
12	449.1.053.1A	Chain sprocket		1
13	851.1.004.1A	Lock washer		1
14	463.2.053.7A	O-ring		1
15	713.1.266.1A	Spacer th. 3,15		1
16	856.1.031.1A	Grooved washer th. 0.5		1
17	76402.0002	Needle bearing		1
18	172.1.218.2A	Driven gear 1st sp.		1
19	0670.16.155	Shim th. 1		1
20	172.1.010.3A	Driven gear 5th sp.		1
21	172.1.009.1A	Driven gear 4th sp.		1
22	172.1.008.1A	Driven gear 3rd sp.		1
23	172.1.011.3A	Driven gear 6th sp.		1
24	172.1.219.2A	Driven gear 2nd sp.		1
25	149.1.061.1A	Gearbox lay shaft		1
26	0670.16.170	Shim th. 0.8		1
27	150.2.153.1A	Complete main shaft		1

CATALOGUE No: 915.1.305.1B
ISSUED: 11 - 09


NOTES NO.	CODE NO.	DESCRIPTION	VALIDITY	Q.TY 
28	150.2.063.2A	Complete lay shaft		1
29	750.1.007.1A	Nut		1
30	702.5.044.1A	Needle bearing		1
31	930.4.002.2A	Seal ring		1
32	713.1.393.1A	Spacer		1

CATALOGUE No: 915.1.305.1B
ISSUED: 11 - 09



HYPERMOTARD 1100^{EVO} SP

DRAWING 004 Clutch

NOTES NO.	CODE NO.	DESCRIPTION	VALIDITY	Q.TY 
1	799.1.253.1A	Clutch spring		6
2	841.1.054.1A	Retainer		6
3	818.2.009.1A	Clutch control pin		1
4	771.5.043.8B	Screw		6
5	750.1.045.1A	Nut		1
6	764.1.003.1B	Rubber pad		12
7	162.1.001.1C	Plate holder hub		1
8	190.2.020.1A	Clutch plates set		1
9	851.1.001.1B	Lock washer		1
10	196.1.001.1D	Clutch drum		1
11	70610.8120	Screw		8
12	194.2.043.1A	Pressure plate		1
13	198.1.029.1A	Clutch housing		1
14	702.5.053.1A	Bearing		1
15	463.2.053.7A	O-ring		1
16	886.4.043.1A	O-ring		1
17	170.Z.003.1A	Clutch/crankshaft gears pair		1
18	713.1.393.3A	Spacer		1
19	93823.2018	O-ring		2
20	117.2.006.1A	Clutch control rod		1
21	0660.16.145	Spacer		1
22	195.4.003.1A	Piston assembly		1
23	710.1.127.1A	Bush		1
24	886.4.118.1A	O-Ring		1
25	771.5.065.8B	Screw		3

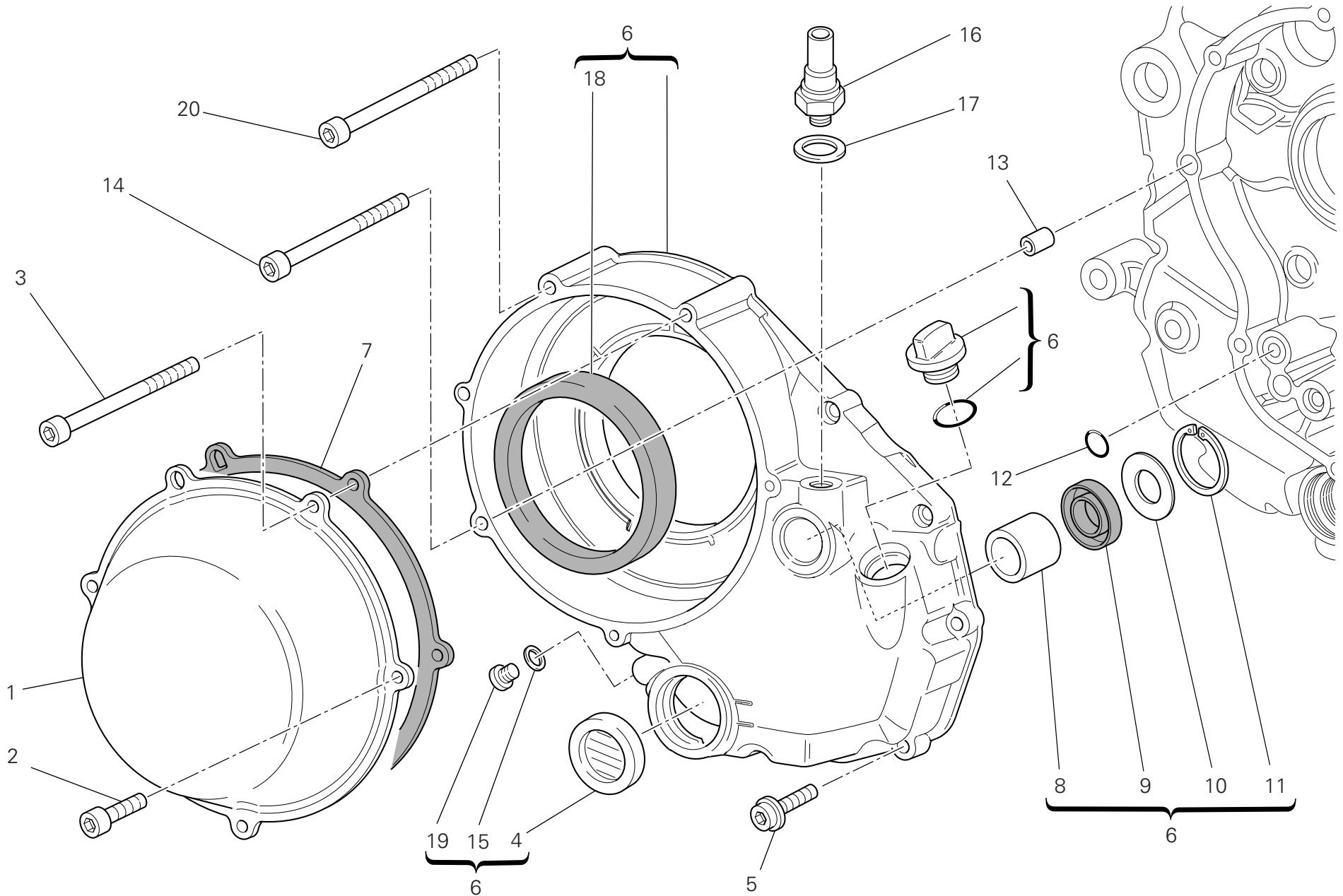
NOTES NO.	CODE NO.	DESCRIPTION	VALIDITY	Q.TY 
-----------	----------	-------------	----------	--

CATALOGUE No: 915.1.305.1B
ISSUED: 11 - 09

CATALOGUE No: 915.1.305.1B
ISSUED: 11 - 09

DRAWING 005


Clutch-side crankcase cover



HYPERMOTARD 1100^{EVO} SP

DRAWING 005

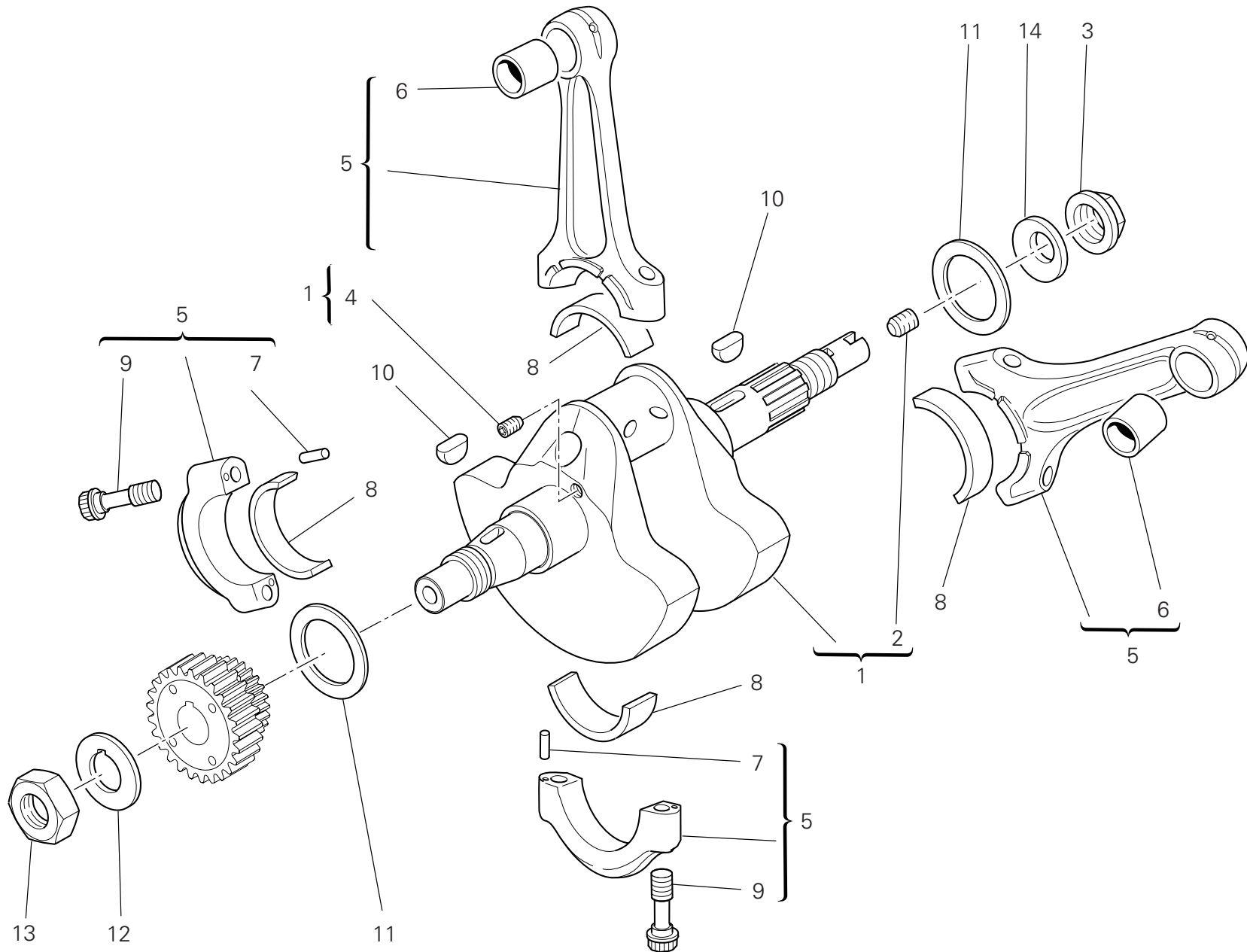
Clutch-side crankcase cover

NOTES NO.	CODE NO.	DESCRIPTION	VALIDITY	Q.TY 
1	243.1.025.1AG	Clutch protection cover		1
2	771.1.026.1A	Screw		2
3	771.1.027.1A	Screw		2
4	254.4.001.2A	Oil level sight glass		1
5	771.5.069.8B	Screw		6
6	243.2.115.1AC	Cover clutch side		1
7	788.1.052.2A	Clutch cover gasket		1
8	0665.49.680	Bush		1
9	930.4.021.1A	Seal ring		1
10	852.1.135.1A	Shim th. 1		1
11	884.5.013.1A	Circlip		1
12	886.4.132.1A	O-ring		1
13	711.1.160.1A	Locating bush		1
14	771.5.079.8B	Screw		1
15	852.5.024.1A	Gasket th.1		1
16	539.4.030.2A	Engine oil pressure sensor		1
17	852.1.195.1A	Gasket th.2		1
18	930.4.034.1A	Ring		1
19	780.5.001.1A	Cap		1
20	771.5.078.8B	Screw		1

NOTES NO.	CODE NO.	DESCRIPTION	VALIDITY	Q.TY 
-----------	----------	-------------	----------	--


CATALOGUE No: 915.1.305.1B
ISSUED: 11 - 09

CATALOGUE No: 915.1.305.1B
ISSUED: 11 - 09



HYPERMOTARD 1100^{EVO} SP

DRAWING 006 Connecting rods

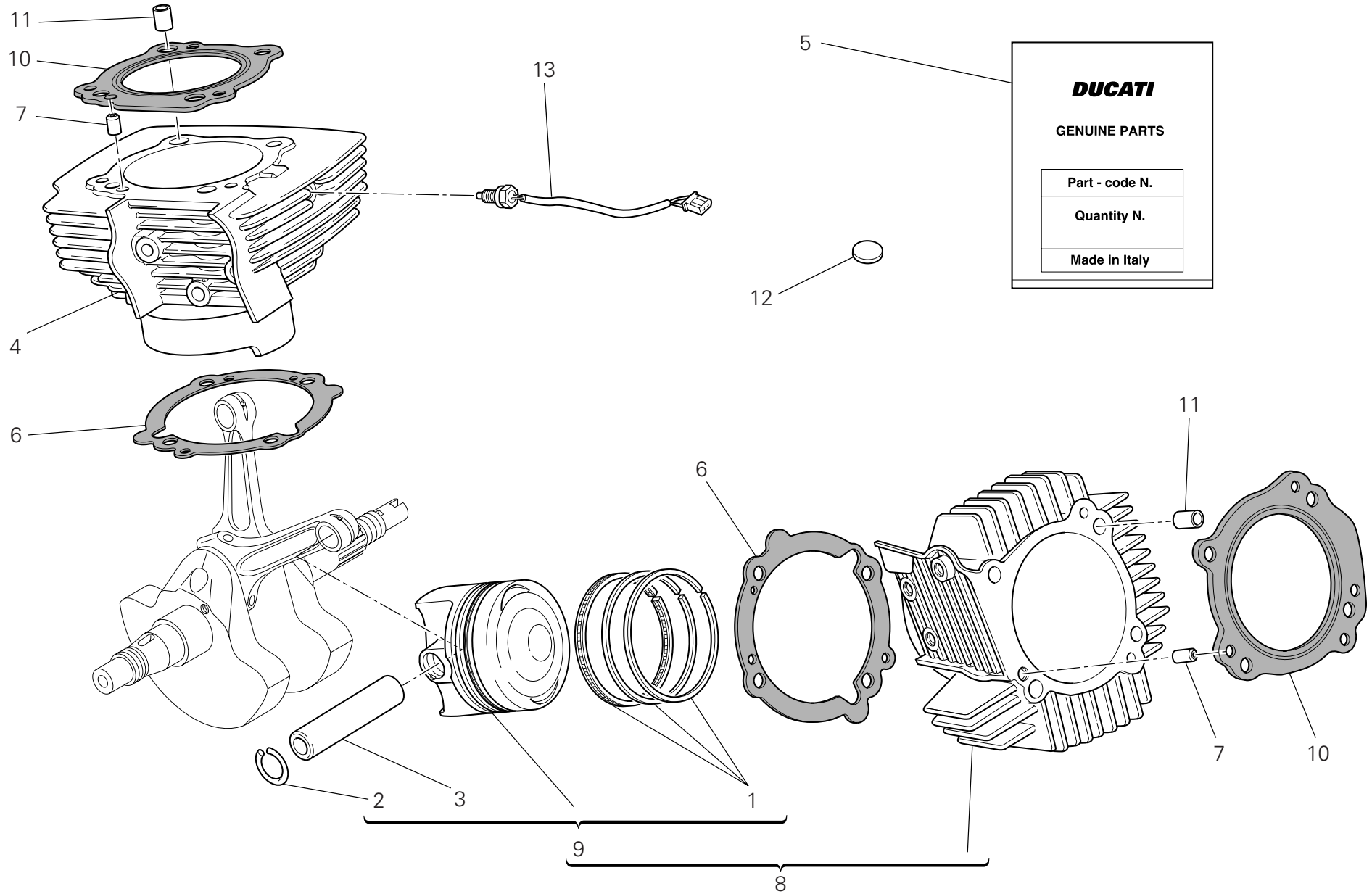
NOTES NO.	CODE NO.	DESCRIPTION	VALIDITY	Q.TY 
1	146.2.169.1A	Crankshaft		1
2	779.1.109.2A	Special screw		1
3	750.1.012.2A	Nut		1
4	779.1.547.1A	Special screw		1
5	158.2.012.2A	Connecting rods pair		1
6	711.1.007.1A	Bush		2
7	74224.0570	Pin		4
8	112.1.012.1AB	Half-bearing (BLUE)		2
8	112.1.012.1AC	Half-bearing (YELLOW)		2
9	779.1.404.1A	Special screw		4
10	680.1.013.1A	Woodruff key		2
11	852.1.104.1A	Shim th. 1.9		2
11	852.1.104.1B	Shim th. 1.95		2
11	852.1.104.1H	Shim th. 2.25		1
11	852.1.104.1K	Shim th. 2,4		2
11	852.1.104.1L	Shim th. 2,45		2
11	852.1.104.1M	Shim th. 2.5		2
11	852.1.104.1N	Shim th. 2.55		2
11	852.1.104.2C	Shim th. 2		2
11	852.1.104.2D	Shim th. 2,05		2
11	852.1.104.2E	Shim th. 2,1		2
11	852.1.104.2F	Shim th. 2,15		2
11	852.1.104.2G	Shim th. 2.2		2
11	852.1.104.2I	Shim th. 2.3		2
11	852.1.104.2J	Shim th. 2.35		2
12	851.1.019.1A	Lock washer		1
13	0660.47.040	Nut		1

CATALOGUE No: 915.1.305.1B
ISSUED: 11 - 09

NOTES NO.	CODE NO.	DESCRIPTION	VALIDITY	Q.TY 
14	799.1.051.2A	Spring washer		1


CATALOGUE No: 915.1.305.1B
ISSUED: 11 - 09

DRAWING 007 Cylinders - pistons

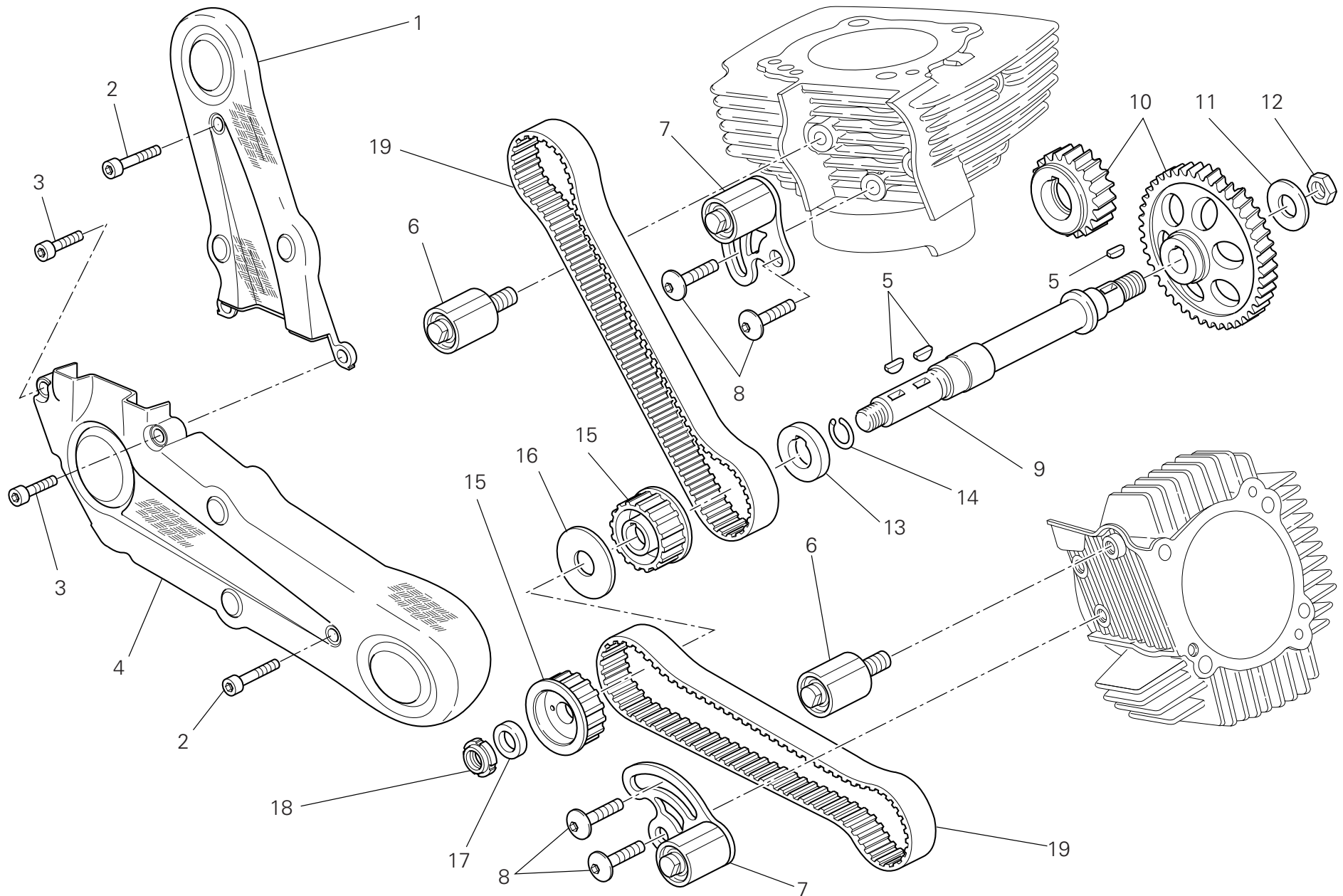


DRAWING 007

Cylinders - pistons

NOTES NO.	CODE NO.	DESCRIPTION	VALIDITY	Q.TY 
1	121.2.045.1A	Piston rings set		1
2	884.4.011.1A	Piston pin circlip		4
3	121.1.211.1A	Piston pin		2
4	120.2.165.2A	Vertical cylinder-piston fit		1
5	791.2.051.1A	Gaskets set		1
6	786.1.114.1A	Cylinder-crankcase gasket th. 0.4		2
7	711.1.301.1B	Bush		2
8	120.2.164.2A	Horizontal cylinder-piston fit		1
9	122.2.165.2A	Complete piston		2
10	786.1.098.1A	Head-cylinder gasket		2
11	711.1.126.1A	Bush		4
12	700.1.064.1A	Vibration damper pad		39
13	552.4.145.2A	Temperature sensor		1


NOTES NO.	CODE NO.	DESCRIPTION	VALIDITY	Q.TY 
-----------	----------	-------------	----------	--



HYPERMOTARD 1100^{EVO} SP

DRAWING 008

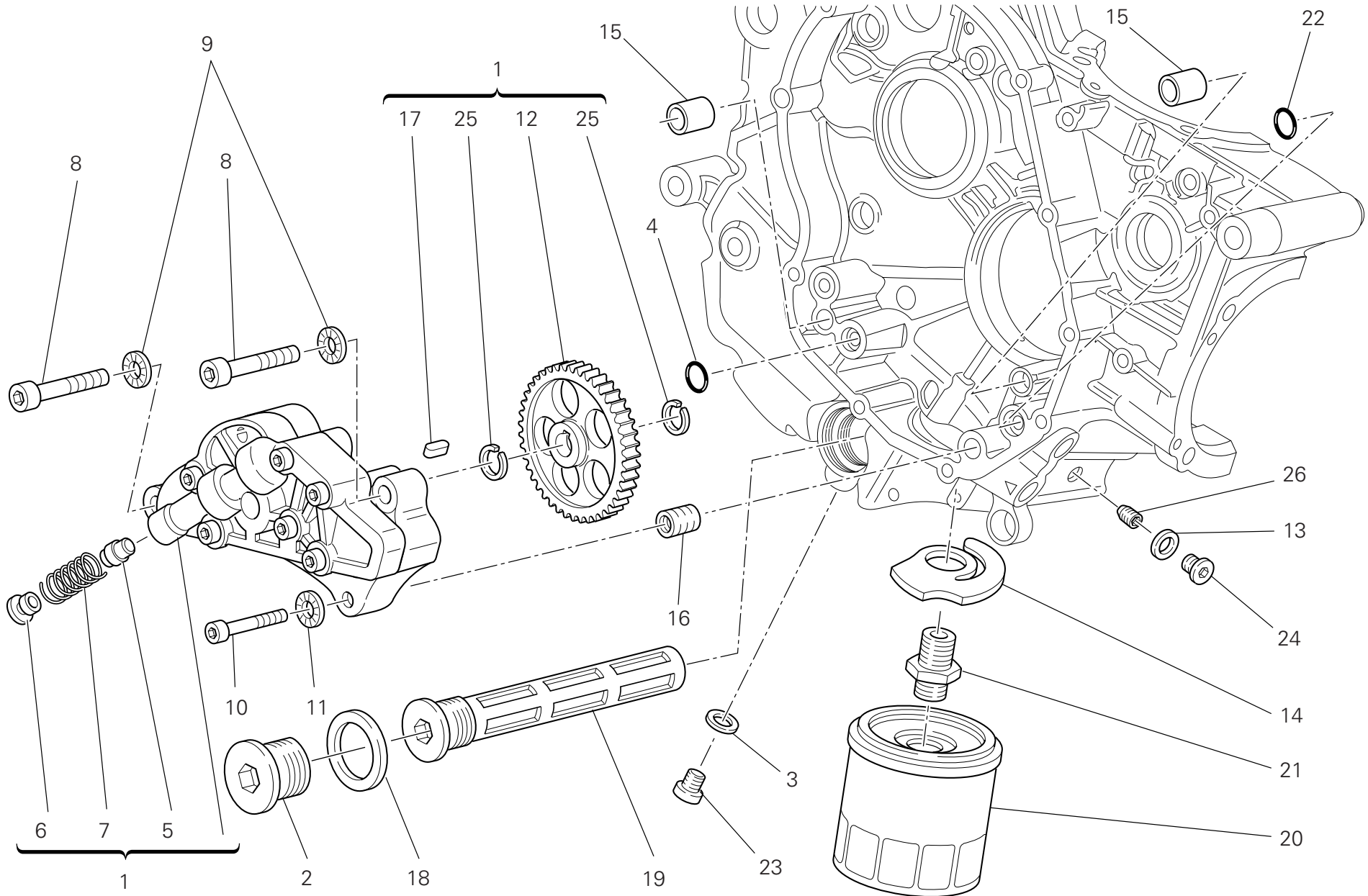
Timing system

NOTES NO.	CODE NO.	DESCRIPTION	VALIDITY	Q.TY 
1	245.1.104.1A	Vertical timing belt cover		1
2	771.1.052.1A	Screw		2
3	771.1.049.1A	Screw		3
4	245.1.103.1A	Horizontal timing belt cover		1
5	680.1.013.1A	Woodruff key		3
6	451.2.021.1A	Fixed tensioner assembly		2
7	451.2.020.1A	Complete vertical cylinder tensioner roller		2
8	772.1.010.3A	Screw		4
9	147.1.026.1A	Lay shaft		1
10	171.2.233.1A	Timing gears pair		1
11	851.1.013.1A	Lock washer		1
12	0124.40.060	Hexagon nut		1
13	716.1.073.2A	Spacer		1
14	882.1.003.1A	Snap ring		1
15	255.1.023.3A	Timing belt roller Z=20		2
16	856.1.062.2A	Belt roller separating washer		1
17	716.1.099.1A	Spacer		1
18	703.5.006.2A	Elastic-stop ring nut		1
19	737.4.021.1A	Timing drive toothed belt		2

NOTES NO.	CODE NO.	DESCRIPTION	VALIDITY	Q.TY 
-----------	----------	-------------	----------	--

CATALOGUE No: 915.1.305.1B
ISSUED: 11 - 09


CATALOGUE No: 915.1.305.1B
ISSUED: 11 - 09



HYPERMOTARD 1100^{EVO} SP

DRAWING 009

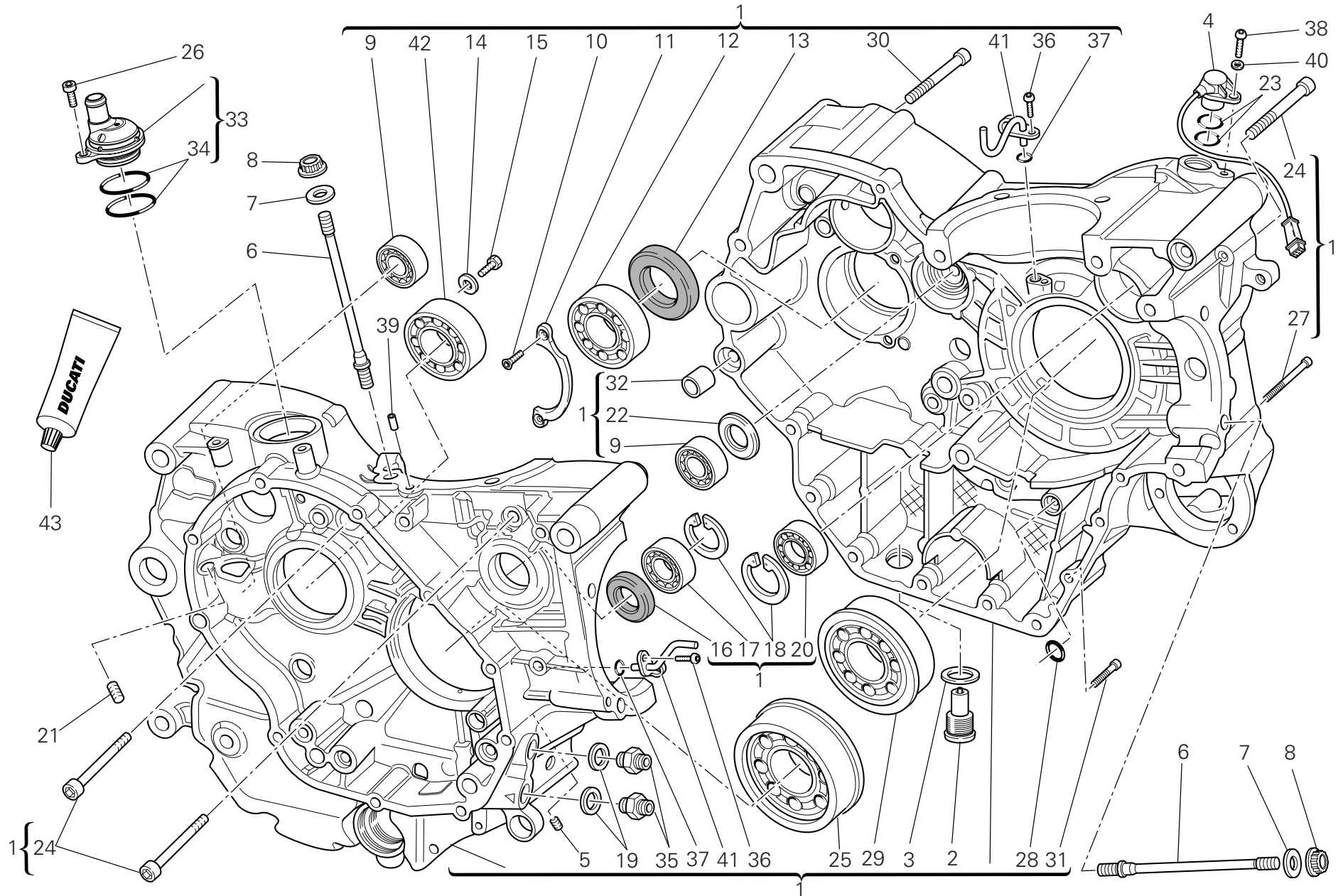
Filters and oil pump

NOTES NO.	CODE NO.	DESCRIPTION	VALIDITY	Q.TY 
1	174.2.038.1A	Complete oil pump		1
2	873.1.037.1A	Cap		1
3	852.1.120.1A	Aluminium gasket		1
4	886.4.037.1A	O-Ring		1
5	593.1.018.1A	Bypass valve		1
6	780.1.018.1A	Bypass cap		1
7	799.1.055.1A	Bypass spring		1
8	771.5.129.8B	Screw		2
9	852.1.174.1A	Washer		2
10	771.5.069.8B	Screw		1
11	852.1.172.1A	Washer		1
12	174.1.038.1A	Pump drive gear		1
13	852.1.195.1A	Gasket th.2		1
14	799.2.077.2A	Bypass spring		1
15	0759.49.280	Locating bush		2
16	0670.49.310	Reduction bush		1
17	680.1.001.1B	Woodruff key		1
18	852.5.005.1A	Gasket th.1,5		1
19	894.2.009.1A	Oil filter		1
20	444.4.003.5A	Oil filter cartridge		1
21	815.1.028.1A	Nipple		1
22	886.4.132.1A	O-ring		1
23	779.1.198.2A	Cap		1
24	779.1.162.2A	Cap		1
25	884.5.039.1A	Circlip		2
26	778.5.016.1A	Threaded dowel		1

NOTES NO.	CODE NO.	DESCRIPTION	VALIDITY	Q.TY 
-----------	----------	-------------	----------	--

CATALOGUE No: 915.1.305.1B
ISSUED: 11 - 09

CATALOGUE No: 915.1.305.1B
ISSUED: 11 - 09




HYPERMOTARD 1100^{EVO} SP

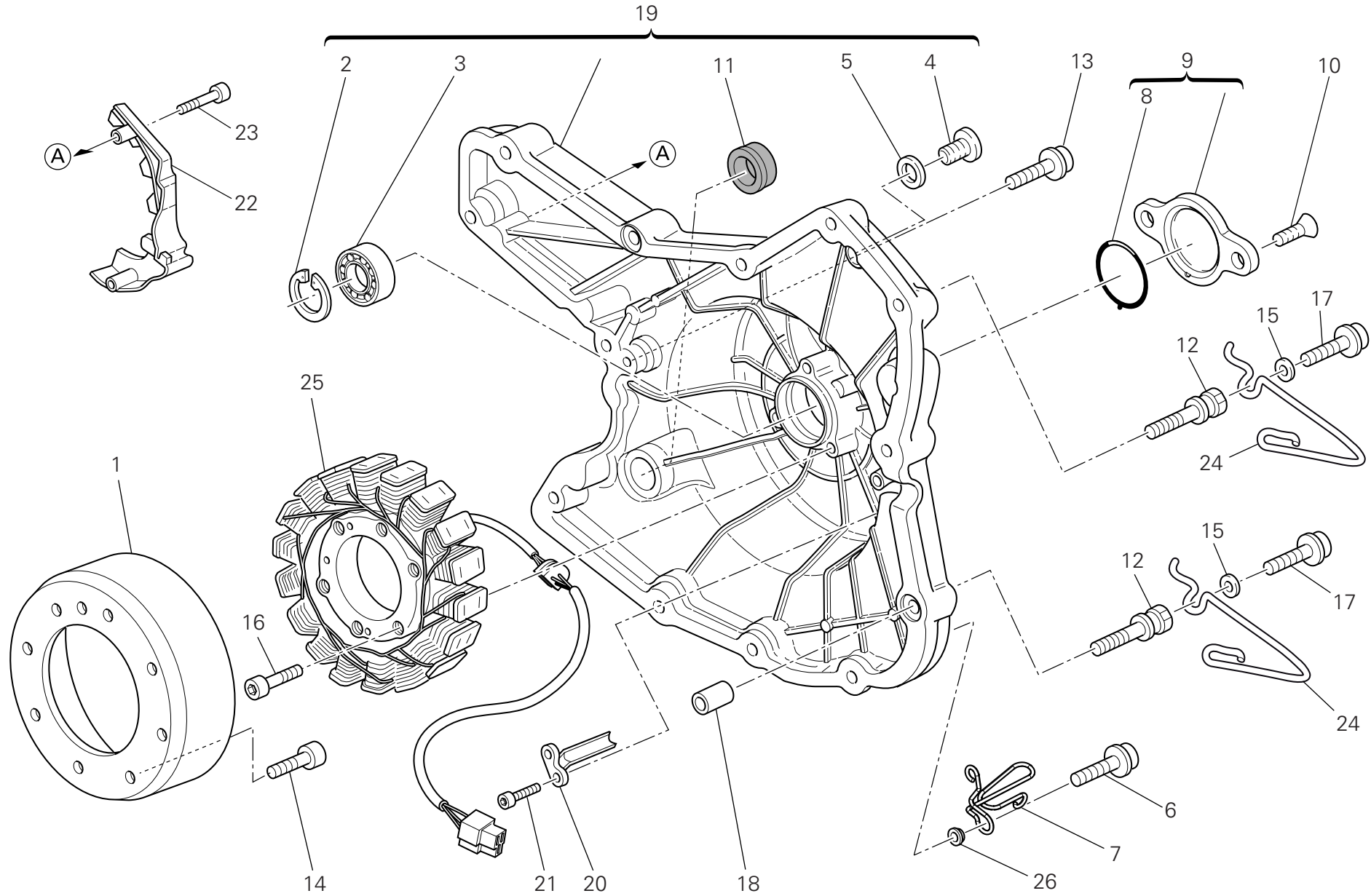
DRAWING **010** Crankcase halves

NOTES NO.	CODE NO.	DESCRIPTION	VALIDITY	Q.TY 
1	225.2.258.2B	Complete half-crankcases pair		1
2	893.2.006.2A	Cap		1
3	852.5.024.1A	Gasket th.1		1
4	552.4.132.1B	Rpm/timing sensor		1
5	779.5.062.1A	Threaded dowel		1
6	766.1.077.1B	Stud bolt for fastening head cylinder		8
7	856.1.064.2A	Special washer		8
8	748.1.050.1A	Nut		8
9	702.4.033.1A	Bearing		2
10	72094.1616	Screw		2
11	826.1.012.1A	Keep plate		1
12	702.4.013.1A	Bearing		1
13	930.4.022.1A	Seal ring		1
14	713.1.140.1A	Spacer		2
15	770.5.250.8B	Screw		2
16	930.4.123.1A	Seal ring		1
17	75794.1542	Bearing		1
18	73503.3380	Circlip		2
19	787.1.011.1A	Aluminium gasket th.2		2
20	702.5.008.1A	Bearing		1
21	778.5.016.1A	Threaded dowel		1
22	0370.49.250	Washer		1
23	886.4.033.1A	O-ring		2
24	771.5.136.8B	Screw		3
25	702.4.093.1A	Bearing		1
26	771.5.065.8B	Screw		1
27	771.5.080.8B	Screw		2

CATALOGUE No: 915.1.305.1B
ISSUED: 11 - 09

NOTES NO.	CODE NO.	DESCRIPTION	VALIDITY	Q.TY 
28	886.4.132.1A	O-ring		1
29	702.4.092.1A	Bearing		1
30	771.5.139.8B	Screw		4
31	771.5.072.8B	Screw		8
32	711.1.095.1A	Bush		2
33	593.2.048.1A	Breather valve		1
34	463.2.022.2A	O-Ring		2
35	815.1.022.1A	Nipple		2
36	775.1.031.1B	Screw		2
37	886.5.013.1A	O-Ring		2
38	775.5.021.1A	Screw		1
39	711.1.128.1A	Bush		2
40	853.1.003.1A	Spring washer		1
41	875.1.146.1A	Jet		2
42	702.5.019.1A	Bearing		1
43	94247.0014	Fluid sealant		1

CATALOGUE No: 915.1.305.1B
ISSUED: 11 - 09



HYPERMOTARD 1100^{EVO} SP

DRAWING 011

Alternator-side crankcase cover

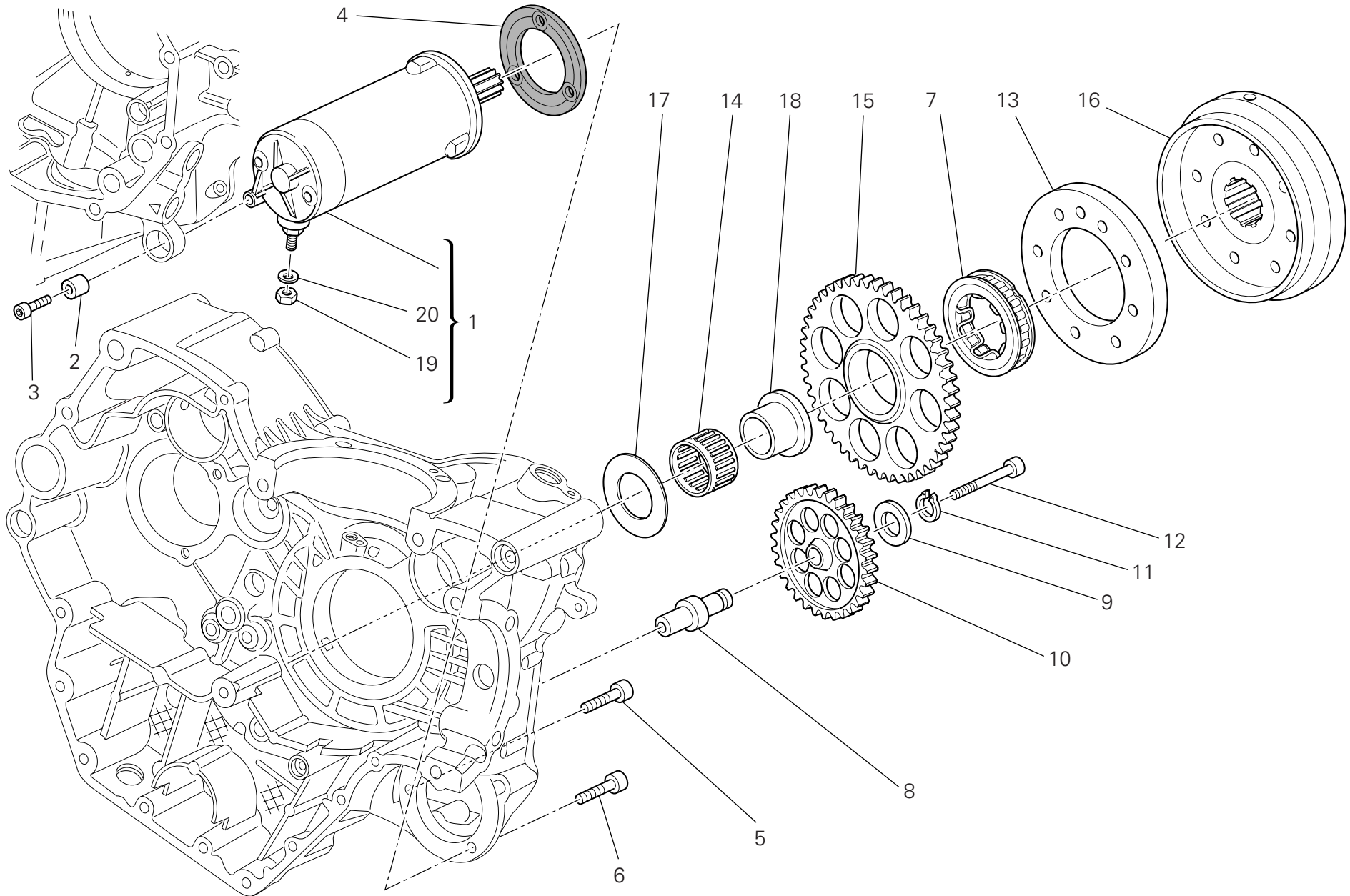
NOTES NO.	CODE NO.	DESCRIPTION	VALIDITY	Q.TY 
1	264.4.053.2A	Rotor "KOKUSAN"		1
2	73503.3380	Circlip		1
3	702.5.008.1A	Bearing		1
4	779.1.026.2A	Screw		1
5	852.5.026.1A	Aluminium gasket th.1,5		1
6	771.4.069.7C	Screw		8
7	881.1.063.1A	Hose guide		1
8	886.1.095.1A	O-ring		1
9	247.1.357.1AC	Cover		1
10	777.5.049.8C	Screw		2
11	93783.1524	Seal ring		1
12	779.1.631.1A	Special screw		2
13	771.4.067.7C	Screw		3
14	779.4.075.1A	Screw		8
15	852.1.176.1A	Washer		2
16	771.5.071.8B	Screw		3
17	771.4.071.7C	Screw		2
18	711.1.160.1A	Locating bush		2
19	242.2.081.1CC	Generator cover		1
20	830.1.558.1A	Bracket		1
21	771.5.040.8B	Screw		2
22	247.1.203.1A	Chain cover (BLACK)		1
23	771.5.665.8B	Screw		2
24	758.1.021.1A	Fairlead		2
25	264.4.060.1A	Stator "KOKUSAN"		1
26	713.1.365.1A	Spacer		1

NOTES NO.	CODE NO.	DESCRIPTION	VALIDITY	Q.TY 
-----------	----------	-------------	----------	--

CATALOGUE No: 915.1.305.1B
ISSUED: 11 - 09

CATALOGUE No: 915.1.305.1B
ISSUED: 11 - 09

DRAWING 012 Electric starting and ignition

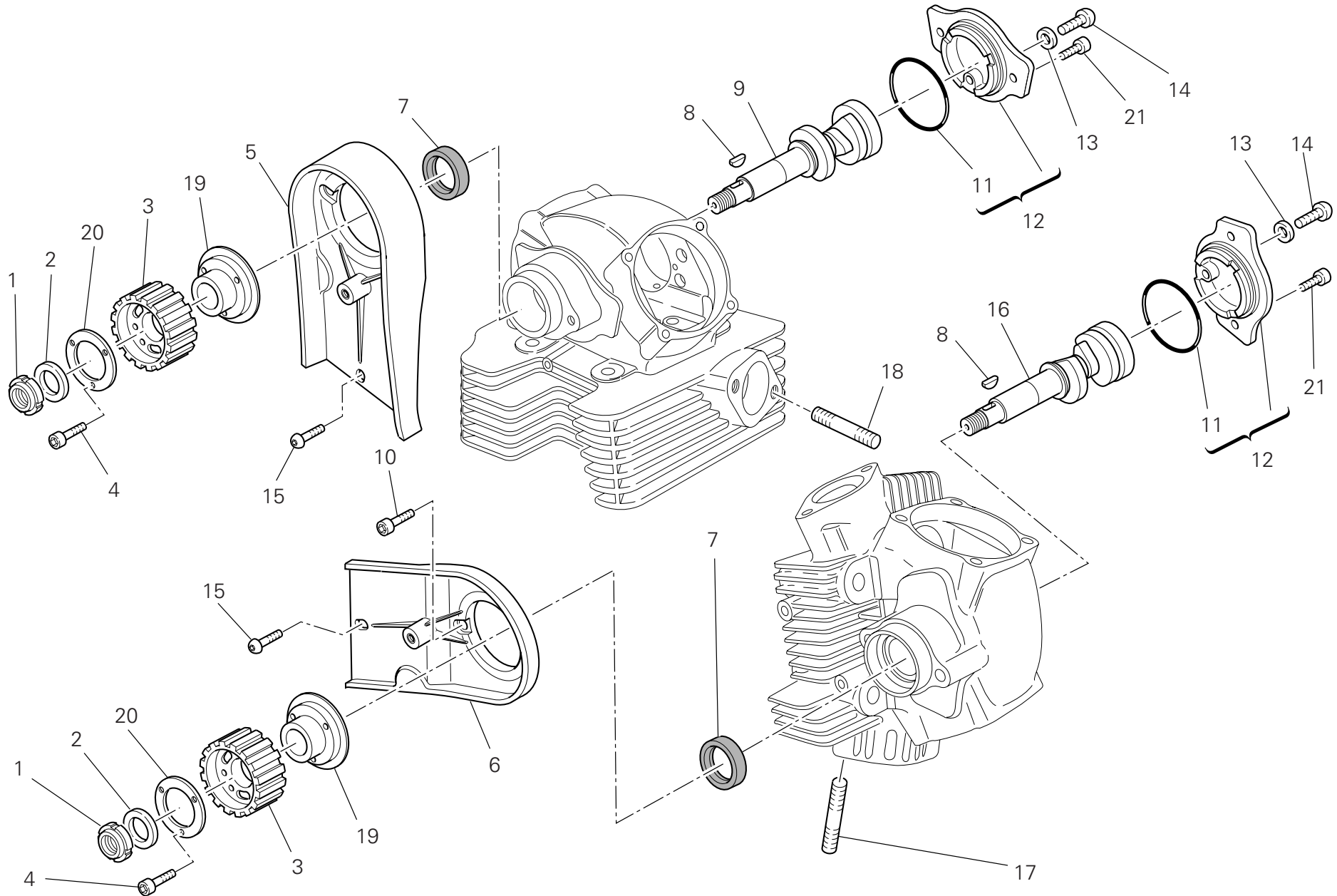


DRAWING 012

Electric starting and ignition


NOTES NO.	CODE NO.	DESCRIPTION	VALIDITY	Q.TY 
1	270.4.012.4A	Complete starter motor		1
2	700.1.036.1A	Flexible bush		1
3	771.1.052.1A	Screw		1
4	788.1.054.2A	Starter motor gasket		1
5	771.1.049.1A	Screw		2
6	771.1.051.8B	Screw		1
7	701.4.023.1A	Starter clutch		1
8	821.1.309.3A	Intermediate gear pin		1
9	856.1.071.1A	Washer		1
10	176.1.020.1A	Intermediate gear assembly		1
11	73500.1440	Circlip		1
12	771.5.078.8B	Screw		1
13	160.1.097.1A	Flange		1
14	702.4.018.1A	Needle bearing		1
15	173.1.022.1A	Electric starter driven gear		1
16	276.1.044.1A	Ignition flywheel		1
17	856.1.075.1A	Shim		1
18	881.1.034.1A	Inner ring		1
19	750.5.005.1A	Nut		1
20	853.5.009.1A	Spring washer		1

NOTES NO.	CODE NO.	DESCRIPTION	VALIDITY	Q.TY 
-----------	----------	-------------	----------	--



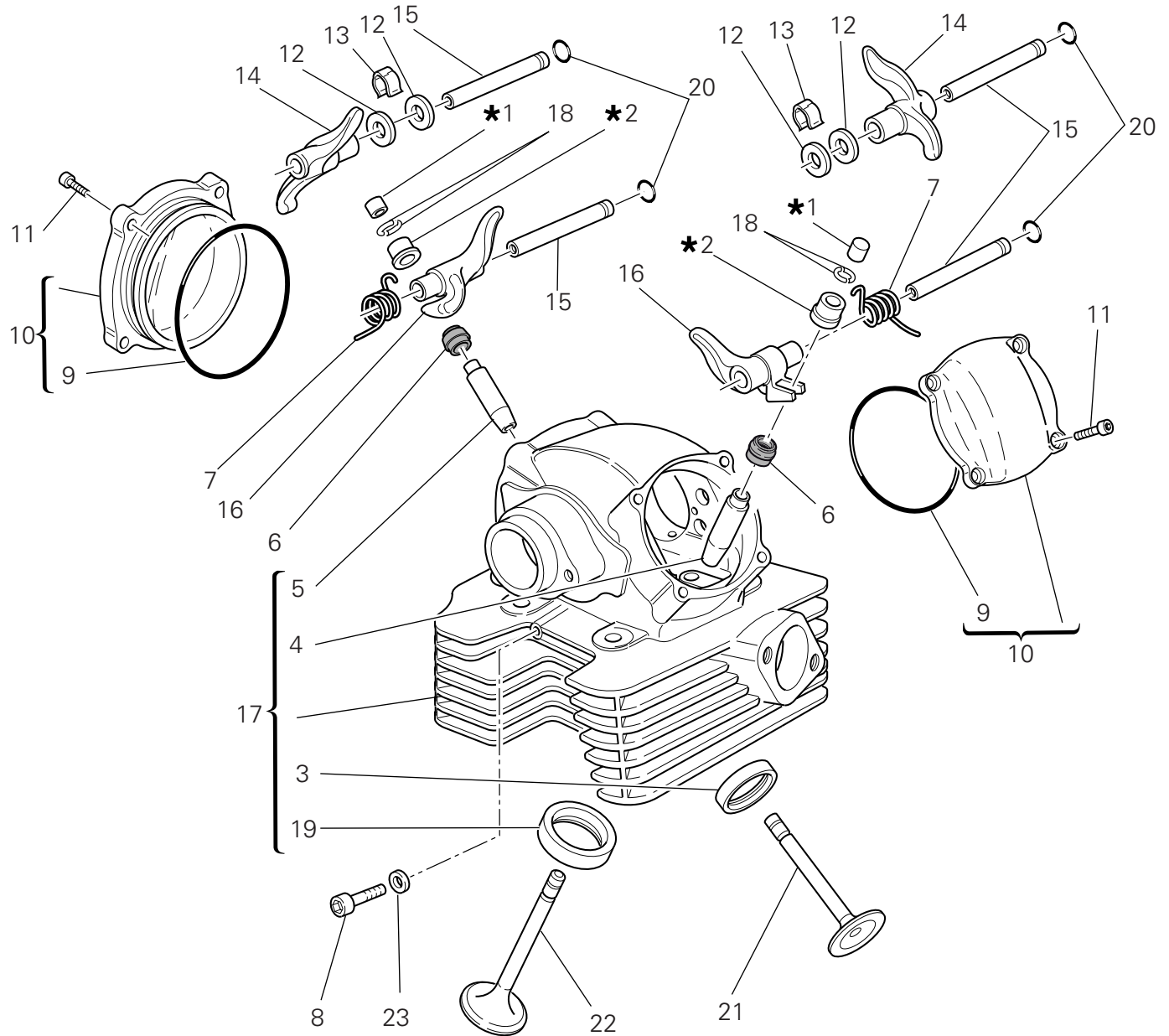
DRAWING 013

Cylinder head : timing system

NOTES NO.	CODE NO.	DESCRIPTION	VALIDITY	Q.TY 
1	703.5.006.2A	Elastic-stop ring nut		2
2	852.1.173.1A	Washer		2
3	255.1.024.3A	Timing belt roller		2
4	779.5.030.2A	Screw		6
5	245.1.081.1A	Vertical belt inner cover		1
6	245.1.082.1A	Horizontal belt inner cover		1
7	930.4.061.1A	Seal ring		2
8	680.1.013.1A	Woodruff key		2
9	148.1.361.1B	Vertical head camshaft		1
10	771.5.066.8B	Screw		4
11	886.4.060.2A	O-ring		2
12	235.2.030.1BC	Side cap		2
13	852.1.197.1A	Aluminium gasket		2
14	775.1.036.1A	Screw		2
15	775.5.021.1A	Screw		2
16	148.1.360.1B	Horizontal head camshaft		1
17	766.4.017.2A	Stud bolt		4
18	766.4.018.1A	Stud bolt		4
19	160.1.105.1A	Flange		2
20	856.1.074.2A	Special washer		2
21	771.1.049.1A	Screw		4


NOTES NO.	CODE NO.	DESCRIPTION	VALIDITY	Q.TY 
-----------	----------	-------------	----------	--

1	2
Registro bilanc. apertura	Registro bilanc. chiusura
Adjustment	Adjustment
Réglage	Réglage
Ventilkäppchen	Ventilkäppchen
840.1.031.1A - 1,8	840.1.041.1B - 2,20
840.1.032.1A - 1,85	840.1.042.1B - 2,25
840.1.033.1A - 1,9	840.1.043.1B - 2,30
840.1.034.1A - 1,95	840.1.044.1B - 2,35
840.1.001.1A - 2,0	840.1.045.1B - 2,40
840.1.002.1A - 2,05	840.1.046.1B - 2,45
840.1.003.1A - 2,1	840.1.047.1B - 2,5
840.1.004.1A - 2,15	840.1.048.1B - 2,55
840.1.005.1A - 2,2	840.1.049.1B - 2,6
840.1.006.1A - 2,25	840.1.050.1B - 2,65
840.1.007.1A - 2,3	840.1.051.1B - 2,7
840.1.008.1A - 2,35	840.1.052.1B - 2,75
840.1.009.1A - 2,4	840.1.053.1B - 2,8
840.1.010.1A - 2,45	840.1.054.1B - 2,85
840.1.011.1A - 2,5	840.1.055.1B - 2,9
840.1.012.1A - 2,55	840.1.056.1B - 2,95
840.1.013.1A - 2,6	840.1.057.1B - 3,0
840.1.014.1A - 2,65	840.1.058.1B - 3,05
840.1.015.1A - 2,7	840.1.059.1B - 3,1
840.1.016.1A - 2,75	
840.1.017.1A - 2,8	
840.1.018.1A - 2,85	
840.1.019.1A - 2,9	
840.1.020.1A - 2,95	
840.1.021.1A - 3,0	
840.1.022.1A - 3,05	
840.1.023.1A - 3,1	
840.1.024.1A - 3,15	
840.1.025.1A - 3,2	
840.1.026.1A - 3,25	
840.1.027.1A - 3,3	
840.1.028.1A - 3,35	
840.1.029.1A - 3,4	
840.1.0301A - 3,45	




DRAWING 014

Vertical cylinder head

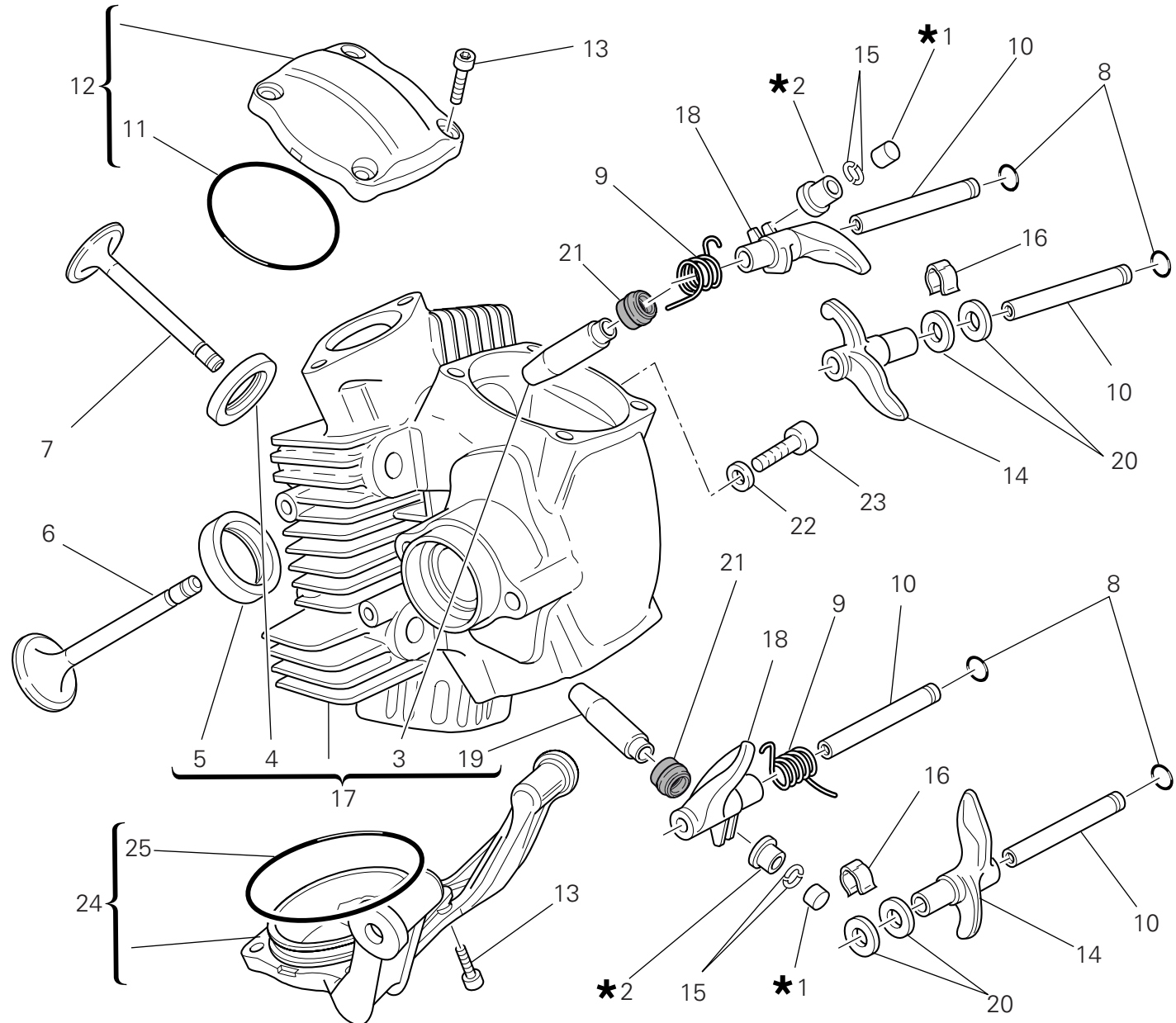
NOTES NO.	CODE NO.	DESCRIPTION	VALIDITY	Q.TY 
1	See table		2
2	See table		2
3	304.1.043.1B	Exhaust valve seat		1
3	304.1.043.1BB	Oversize exhaust valve seat 0.03		2
3	304.1.043.1BC	Oversize exhaust valve seat 0.06		2
4	303.1.041.1CA	Intake valve guide magg. 0,03		1
4	303.1.041.1CB	Intake valve guide magg. 0,06		1
4	303.1.041.1CC	Intake valve guide magg. 0,09		1
5	303.1.066.1AA	Exhaust valve guide magg. 0,03		1
5	303.1.066.1AB	Exhaust valve guide magg. 0,06		1
5	303.1.066.1AC	Exhaust valve guide magg. 0,09		1
6	764.1.087.1A	Valve seal		2
7	799.1.260.1A	Closing rocker spring		2
8	779.1.133.1A	Screw		1
9	886.4.138.1A	O-ring		2
10	240.2.039.2A	Valve cover		2
11	771.5.066.8B	Screw		8
12	0647.70.010	Shim		4
13	799.1.212.1A	Spring		2
14	208.1.012.4A	Opening rocker		2
15	821.1.317.1A	Rocker shaft		4
16	209.1.047.1A	Closing rocker		2
17	301.2.276.1AA	Complete vertical head		1
18	669.1.001.1E	Split rings		4
19	304.1.042.1B	Intake valve seat		1
19	304.1.042.1BB	Oversize intake valve seat 0.03		1
19	304.1.042.1BC	Oversize intake valve seat 0.06		1

CATALOGUE No: 915.1.305.1B
ISSUED: 11 - 09

NOTES NO.	CODE NO.	DESCRIPTION	VALIDITY	Q.TY 
20	886.4.140.1A	O-ring		4
21	211.1.086.1A	Exhaust valve		1
22	210.1.086.1A	Intake valve		1
23	852.5.023.1A	Gasket		1


CATALOGUE No: 915.1.305.1B
ISSUED: 11 - 09

1	2
Registro bilanc. apertura Adjustment Réglage Ventilkäppchen	Registro bilanc. chiusura Adjustment Réglage Ventilkäppchen
840.1.031.1A - 1,8	840.1.041.2B - 2,2
840.1.032.1A - 1,85	840.1.042.2B - 2,25
840.1.033.1A - 1,9	840.1.043.2B - 2,3
840.1.034.1A - 1,95	840.1.044.2B - 2,35
840.1.001.1A - 2,0	840.1.045.2B - 2,4
840.1.002.1A - 2,05	840.1.046.2B - 2,45
840.1.003.1A - 2,1	840.1.047.2B - 2,5
840.1.004.1A - 2,15	840.1.048.2B - 2,55
840.1.005.1A - 2,2	840.1.049.2B - 2,6
840.1.006.1A - 2,25	840.1.050.2B - 2,65
840.1.007.1A - 2,3	840.1.051.2B - 2,7
840.1.008.1A - 2,35	840.1.052.2B - 2,75
840.1.009.1A - 2,4	840.1.053.2B - 2,8
840.1.010.1A - 2,45	840.1.054.2B - 2,85
840.1.011.1A - 2,5	840.1.055.2B - 2,9
840.1.012.1A - 2,55	840.1.056.2B - 2,95
840.1.013.1A - 2,6	840.1.057.2B - 3,0
840.1.014.1A - 2,65	840.1.058.2B - 3,05
840.1.015.1A - 2,7	840.1.059.2B - 3,1
840.1.016.1A - 2,75	840.1.060.2B - 3,15
840.1.017.1A - 2,8	840.1.061.2B - 3,2
840.1.018.1A - 2,85	840.1.062.2B - 3,25
840.1.019.1A - 2,9	840.1.063.2B - 3,3
840.1.020.1A - 2,95	840.1.064.2B - 3,35
840.1.021.1A - 3,0	840.1.065.2B - 3,4
840.1.022.1A - 3,05	840.1.066.2B - 3,45
840.1.023.1A - 3,1	840.1.067.2B - 3,5
840.1.024.1A - 3,15	840.1.068.2B - 3,55
840.1.025.1A - 3,2	840.1.069.2B - 3,6
840.1.026.1A - 3,25	840.1.070.2B - 3,65
840.1.027.1A - 3,3	840.1.071.2B - 3,7
840.1.028.1A - 3,35	840.1.072.2B - 3,75
840.1.029.1A - 3,4	840.1.073.2B - 3,8
840.1.030.1A - 3,45	840.1.074.2B - 3,85
	840.1.075.2B - 3,9
	840.1.076.2B - 3,95
	840.1.077.2B - 4,0
	840.1.078.2B - 4,05
	840.1.079.2B - 4,1
	840.1.080.2B - 4,15
	840.1.081.2B - 4,2
	840.1.082.2B - 4,25
	840.1.083.2B - 4,3
	840.1.084.2B - 4,35
	840.1.085.2B - 4,4
	840.1.086.2B - 4,45
	840.1.087.2B - 4,5




DRAWING **015**

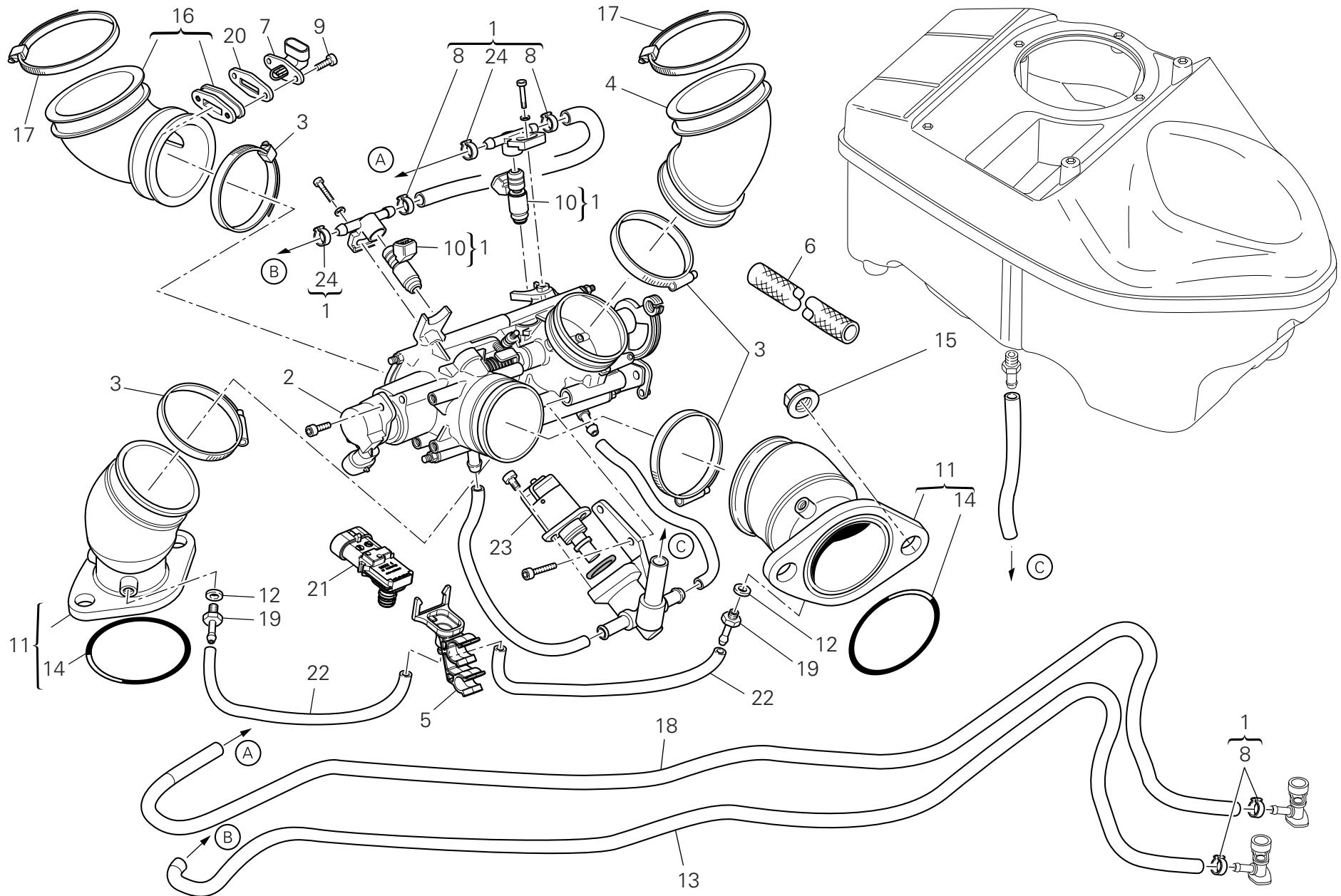
Horizontal cylinder head

NOTES NO.	CODE NO.	DESCRIPTION	VALIDITY	Q.TY 
1	See table		2
2	See table		2
3	303.1.041.1CA	Intake valve guide magg. 0,03		1
3	303.1.041.1CB	Intake valve guide magg. 0,06		1
3	303.1.041.1CC	Intake valve guide magg. 0,09		1
4	304.1.043.1B	Exhaust valve seat		1
4	304.1.043.1BB	Oversize exhaust valve seat 0.03		1
4	304.1.043.1BC	Oversize exhaust valve seat 0.06		1
5	304.1.042.1B	Intake valve seat		1
5	304.1.042.1BB	Oversize intake valve seat 0.03		1
5	304.1.042.1BC	Oversize intake valve seat 0.06		1
6	210.1.086.1A	Intake valve		1
7	211.1.086.1A	Exhaust valve		1
8	886.4.140.1A	O-ring		4
9	799.1.260.1A	Closing rocker spring		2
10	821.1.317.1A	Rocker shaft		4
11	886.4.138.1A	O-ring		1
12	240.2.039.2A	Valve cover		1
13	771.5.066.8B	Screw		8
14	208.1.012.4A	Opening rocker		2
15	669.1.001.1E	Split rings		4
16	799.1.212.1A	Spring		2
17	301.2.275.1AA	Complete horizontal head		1
18	209.1.047.1A	Closing rocker		2
19	303.1.066.1AA	Exhaust valve guide magg. 0,03		1
19	303.1.066.1AB	Exhaust valve guide magg. 0,06		1
19	303.1.066.1AC	Exhaust valve guide magg. 0,09		1

CATALOGUE No: 915.1.305.1B
ISSUED: 11 - 09

NOTES NO.	CODE NO.	DESCRIPTION	VALIDITY	Q.TY 
20	0647.70.010	Shim		4
21	764.1.087.1A	Valve seal		2
22	852.5.023.1A	Gasket		1
23	779.1.133.1A	Screw		1
24	240.2.041.1A	Cover		1
25	463.2.010.9A	O-ring		1

CATALOGUE No: 915.1.305.1B
ISSUED: 11 - 09



DRAWING 016

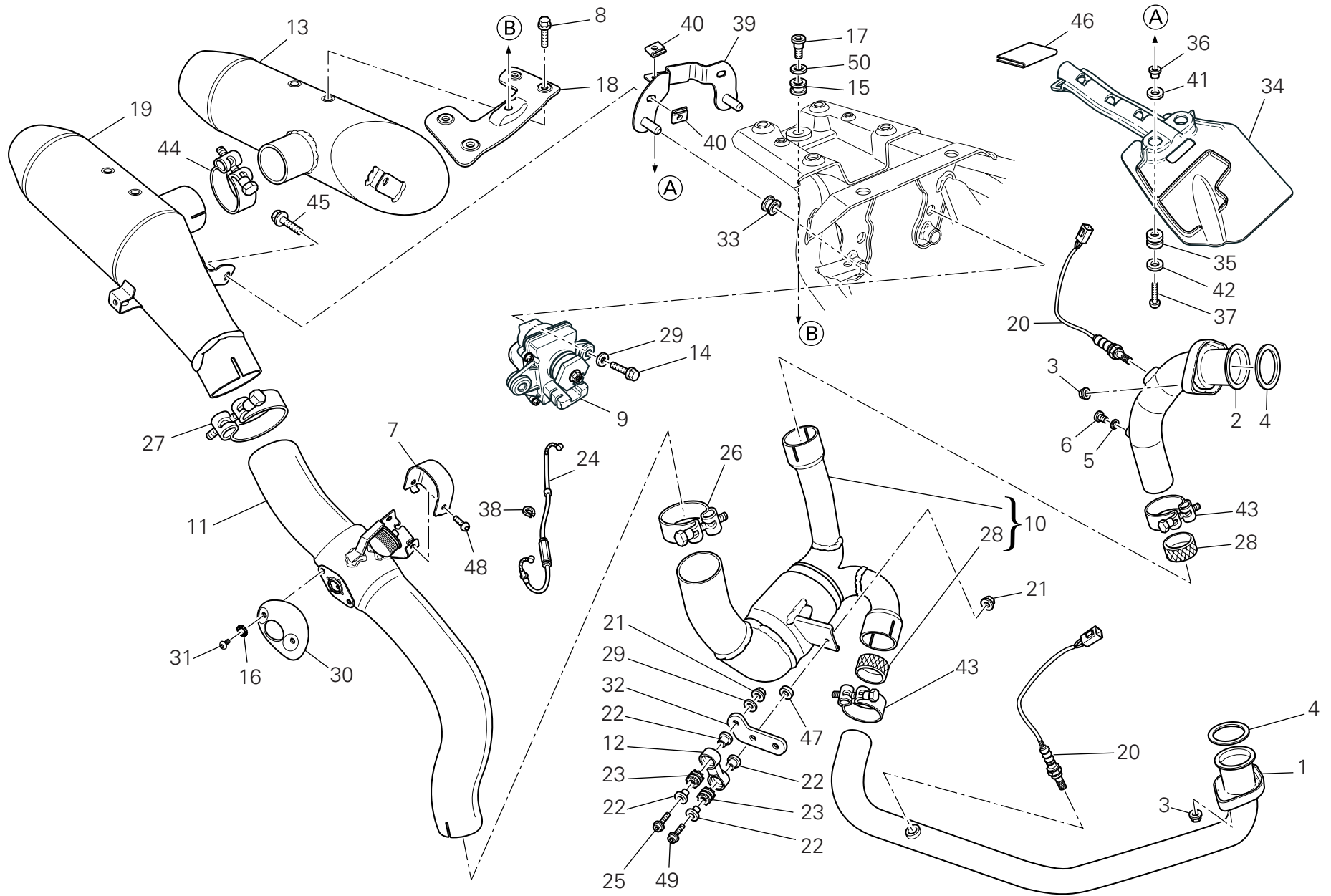
Intake manifolds

NOTES NO.	CODE NO.	DESCRIPTION	VALIDITY	Q.TY 
1	282.4.085.1A	Feed unit assembly		1
2	284.4.008.1A	Potentiometer		1
3	741.4.180.1A	Clamp		2
4	801.1.027.1A	Hose		1
5	829.1.986.1A	Holder sensor		1
6	460.1.338.1A	Protection sheath		1
7	552.4.012.1A	Air temperature sensor		1
8	287.4.024.1B	Clamp		6
9	773.5.006.8B	Screw		2
10	280.4.023.1A	Injector		2
11	140.2.068.2A	Intake manifold		2
12	0250.70.223	Aluminium gasket		2
13	590.1.302.1B	Fuel pipe (Return)		1
14	886.4.148.1A	O-ring		2
15	748.1.039.1A	Nut		4
16	801.1.031.1A	Hose		1
17	741.4.067.1A	Hose guide		2
18	590.1.301.1B	Fuel pipe (Delivery)		1
19	814.1.323.1A	Union		2
20	788.1.104.1A	Gasket		1
21	552.4.144.1A	Pressure sensor		1
22	590.1.341.1A	Tube		2
23	283.4.020.1A	Stepper motor		1
24	741.4.001.1A	Hose guide		2

NOTES NO.	CODE NO.	DESCRIPTION	VALIDITY	Q.TY 
-----------	----------	-------------	----------	--

CATALOGUE No: 915.1.305.1B
ISSUED: 11 - 09


CATALOGUE No: 915.1.305.1B
ISSUED: 11 - 09



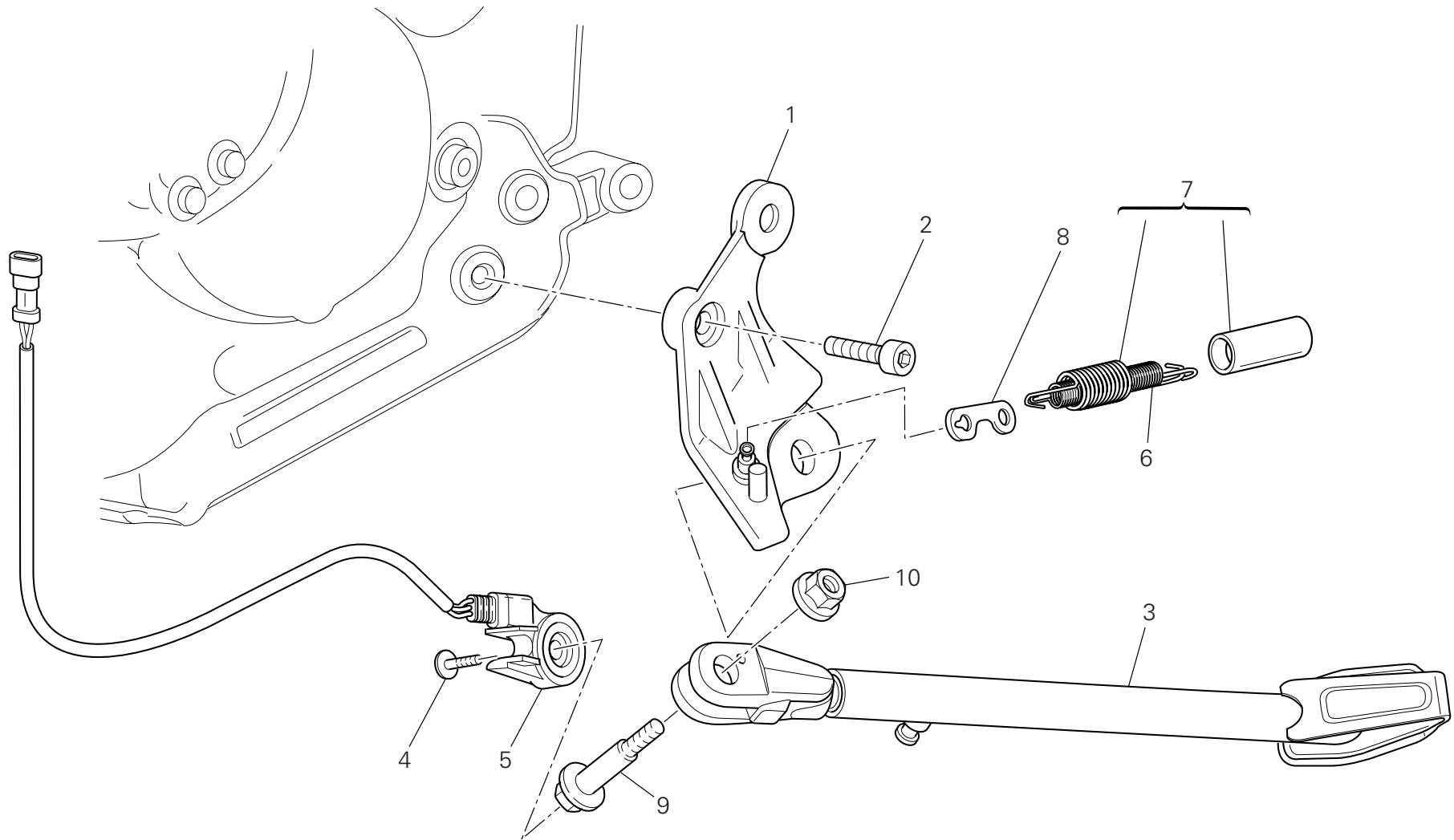
DRAWING **017** Exhaust system

NOTES NO.	CODE NO.	DESCRIPTION	VALIDITY	Q.TY 
1	570.1.258.1B	Horizontal head exhaust pipe		1
2	571.1.258.2B	Vertical head exhaust pipe		1
3	748.4.033.1A	Nut		4
4	0370.84.005	Exhaust gasket		2
5	852.5.024.1A	Gasket th.1		2
6	780.1.007.1A	Cap		2
7	460.1.293.1A	Protection		1
8	772.1.090.1A	Screw		4
9	593.4.030.1A	Exhaust valve engine		1
10	572.2.157.1B	Compensator		1
11	570.1.265.1B	Balancer/silencer exhaust pipe		1
12	576.1.067.1A	Holder		1
13	574.1.105.2A	Silencer (L.H.)		1
14	772.1.093.1A	Screw		2
15	764.1.042.1A	Vibration damper pad		1
16	462.4.046.1A	Spring washer		2
17	779.1.603.1A	Screw		1
18	576.1.060.1B	Bracket		1
19	573.1.105.2A	Silencer (R.H.)		1
20	552.1.219.1A	Lambda sensor		2
21	748.1.036.1A	Nut		2
22	716.1.414.1A	Spacer		4
23	764.1.064.1B	Vibration damper pad		2
24	732.1.022.1B	Cable		1
25	771.5.671.8B	Screw		1
26	741.1.042.1A	Clamp		1
27	741.1.043.1A	Clamp		1

CATALOGUE No: 915.1.305.1B
ISSUED: 11 - 09


NOTES NO.	CODE NO.	DESCRIPTION	VALIDITY	Q.TY 
28	790.1.017.1A	Gasket		2
29	852.1.160.1B	Washer		3
30	460.1.275.1AB	Protection		1
31	775.5.016.1A	Screw		2
32	830.1.531.1A	Bracket		1
33	764.1.068.1A	Rubber pad		2
34	564.1.075.3A	Mudflap		1
35	764.1.069.1A	Rubber pad		2
36	716.1.112.1A	Spacer		2
37	775.1.049.1A	Screw		2
38	0170.91.730	Snap ring		1
39	830.1.461.1A	Bracket		1
40	850.4.038.1A	Nut with clip		4
41	852.1.148.1B	Washer		2
42	852.1.167.1A	Washer		2
43	741.4.163.1A	Clamp		2
44	741.4.168.1A	Clamp		1
45	772.5.097.8B	Screw		2
46	764.1.109.1A	Vibration damper		1
47	713.1.099.1A	Spacer		1
48	775.5.024.1A	Screw		2
49	771.5.672.8B	Screw		1
50	852.1.163.1A	Washer		1

CATALOGUE No: 915.1.305.1B
ISSUED: 11 - 09



HYPERMOTARD 1100^{EVO} SP

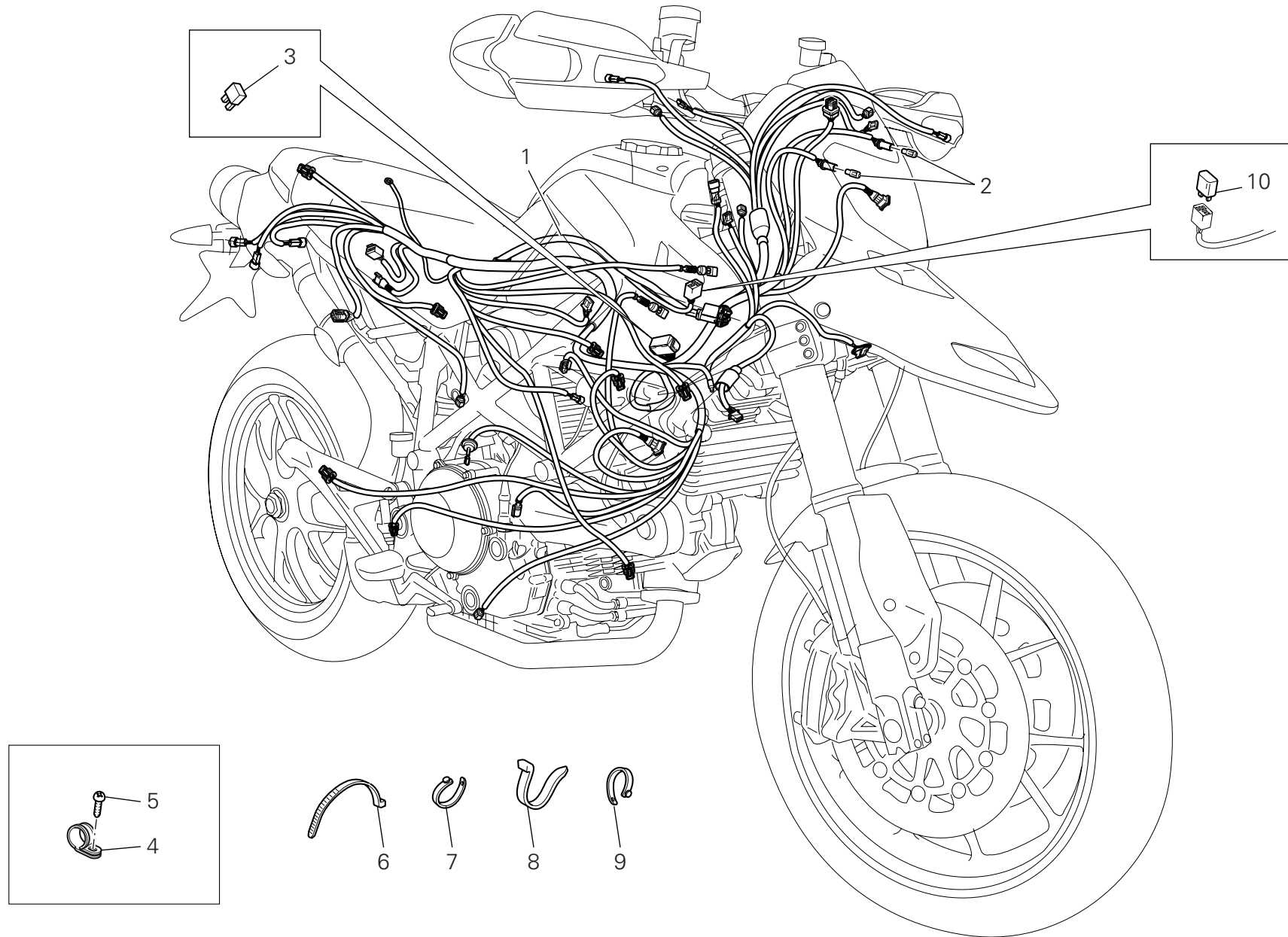
DRAWING 018 Stands

NOTES NO.	CODE NO.	DESCRIPTION	VALIDITY	Q.TY 
1	556.2.037.1C	Plate		1
2	771.5.154.8B	Screw		1
3	556.1.050.1A	Side stand		1
4	779.4.005.3A	Screw		1
5	539.1.023.4B	Stand switch		1
6	799.1.089.1B	Inner spring		1
7	799.2.088.1B	Outer spring		1
8	827.1.139.2B	Plate		1
9	556.1.018.1D	Pivot		1
10	749.4.145.8C	Nut		1


NOTES NO.	CODE NO.	DESCRIPTION	VALIDITY	Q.TY 
-----------	----------	-------------	----------	--

CATALOGUE No: 915.1.305.1B
ISSUED: 11 - 09

CATALOGUE No: 915.1.305.1B
ISSUED: 11 - 09

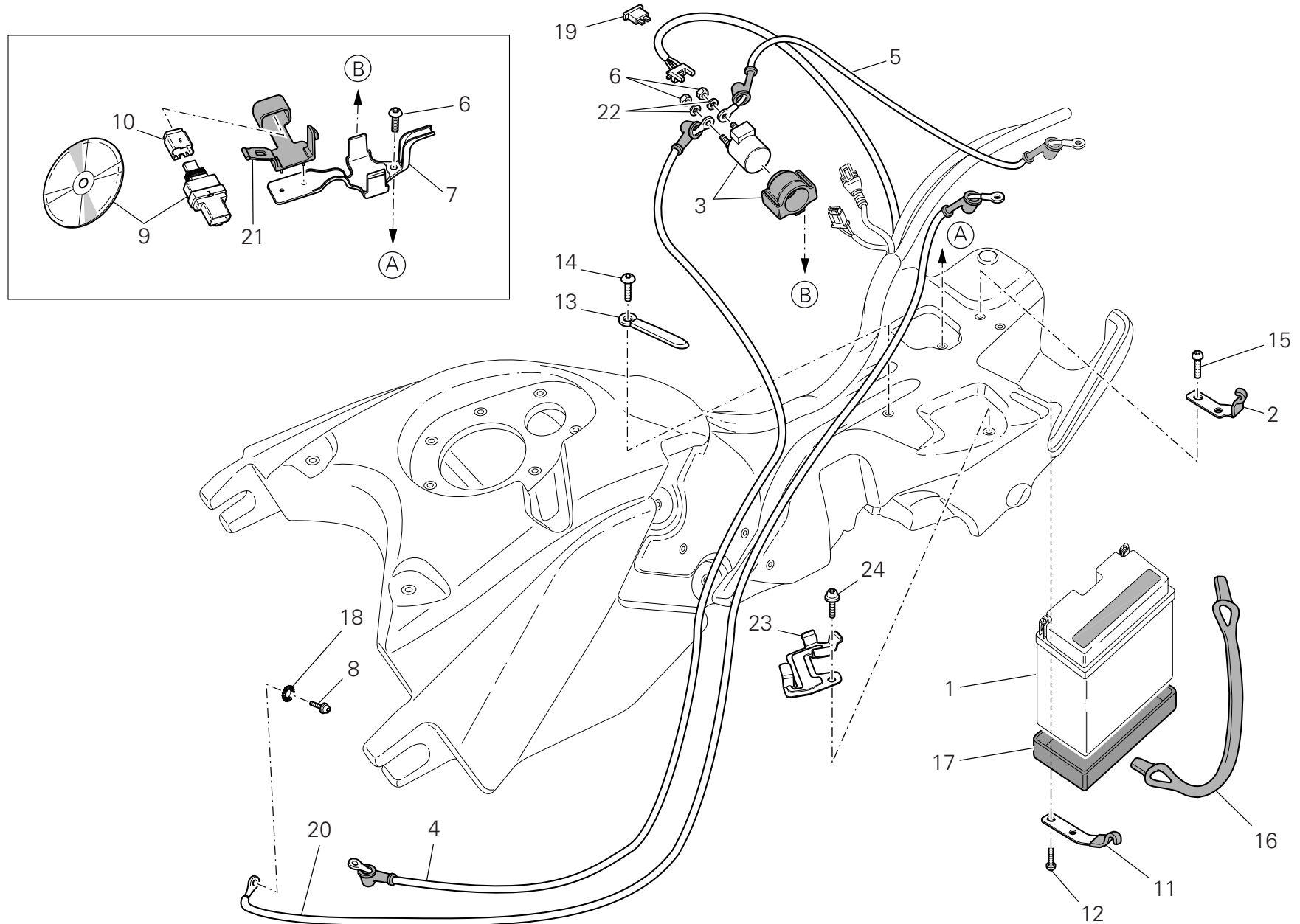


DRAWING **019** Electrical system

NOTES NO.	CODE NO.	DESCRIPTION	VALIDITY	Q.TY 
1	510.1.692.1B	Electric wiring		1
2	390.4.025.1A	Bulb		2
3	389.4.019.1A	Fuse 5A		1
3	389.4.020.1A	Fuse 10A		1
3	389.4.021.1A	Fuse 15A		1
3	389.4.022.1A	Fuse 20A		1
3	389.4.024.1A	Fuse 7.5A		1
4	758.4.016.1A	Fairlead		2
5	775.5.022.1A	Screw		2
6	0691.91.030	Hose guide		17
7	741.1.012.1A	Hose guide		1
8	741.4.038.1A	Hose guide		6
9	8000.53724	Hose guide		4
10	541.4.010.1A	Relay		1

NOTES NO.	CODE NO.	DESCRIPTION	VALIDITY	Q.TY 
-----------	----------	-------------	----------	--

DRAWING 019a Battery support



HYPERMOTARD 1100^{EVO} SP

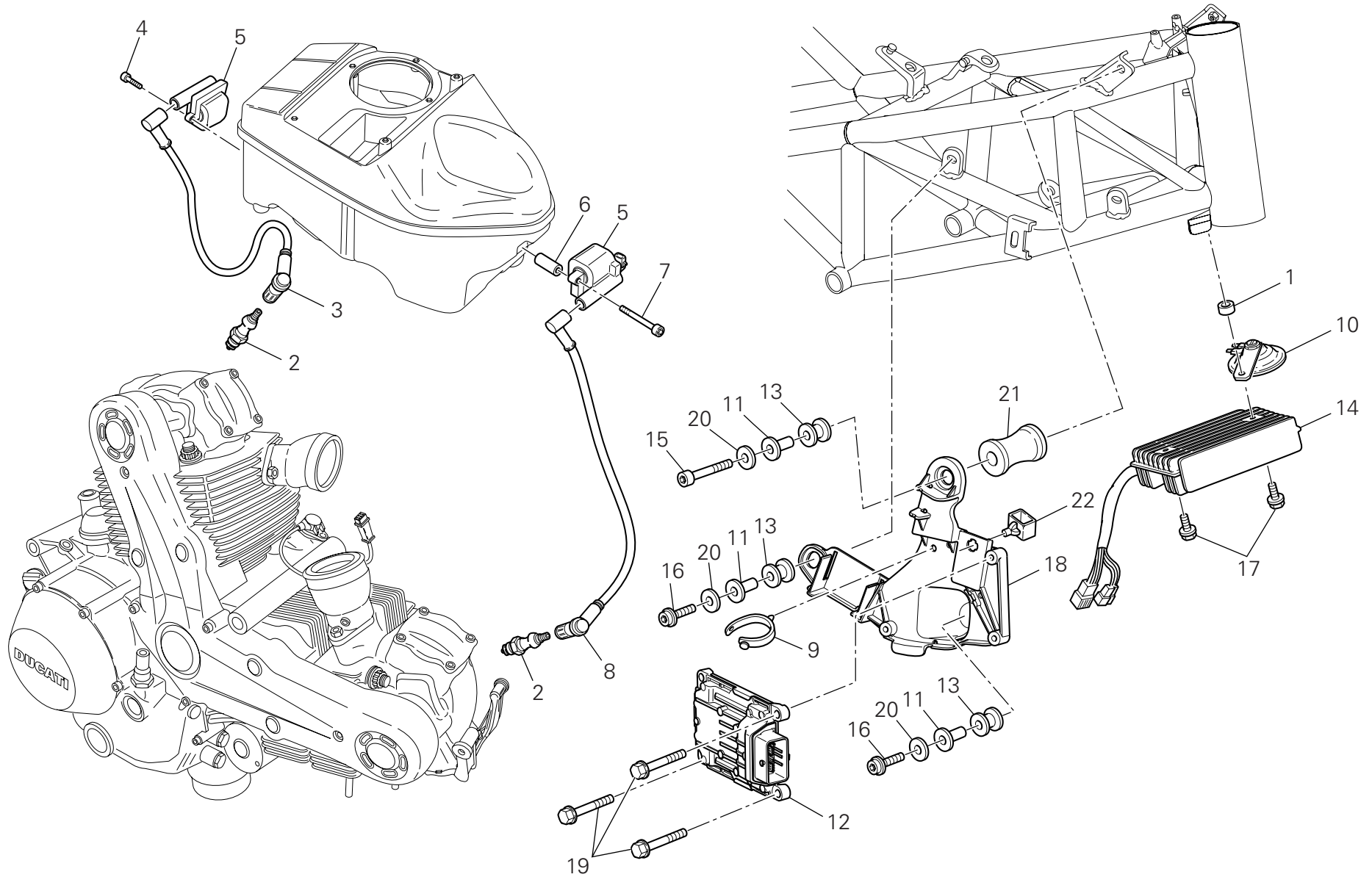
DRAWING 019a Battery support

NOTES NO.	CODE NO.	DESCRIPTION	VALIDITY	Q.TY 
1	395.2.013.1C	Battery		1
2	827.1.492.1A	Plate (upper)		1
3	397.4.005.1A	Remote switch		1
4	514.1.053.2A	Solenoid starter - starter motor cable		1
5	514.1.056.2A	Battery - solenoid starter cable		1
6	750.5.005.1A	Nut		2
7	827.1.467.1A	Plate		1
8	772.4.039.1C	Screw		1
9	286.2.042.1A	Data acquisition kit		1
10	872.1.053.2A	Cap (DDA)		1
11	827.1.491.1A	Plate (bottom)		1
12	775.5.020.1A	Special screw		2
13	741.4.167.1A	Woodruff key		4
14	775.5.017.1A	Screw		4
15	775.1.036.1A	Screw		2
16	759.1.024.1A	Rubber		1
17	829.1.750.1A	Battery box mount		1
18	855.5.000.1B	Spring washer		1
19	389.4.023.1A	Fuse 30A		1
20	513.1.020.2A	Battery - engine grounding cable		1
21	741.1.040.1A	Clamp		1
22	853.5.010.1A	Spring washer		2
23	829.1.822.1A	Plate		1
24	775.5.025.1A	Screw		1

NOTES NO.	CODE NO.	DESCRIPTION	VALIDITY	Q.TY 
-----------	----------	-------------	----------	--

CATALOGUE No: 915.1.305.1B
ISSUED: 11 - 09

CATALOGUE No: 915.1.305.1B
ISSUED: 11 - 09



HYPERMOTARD 1100^{EVO} SP

DRAWING 020

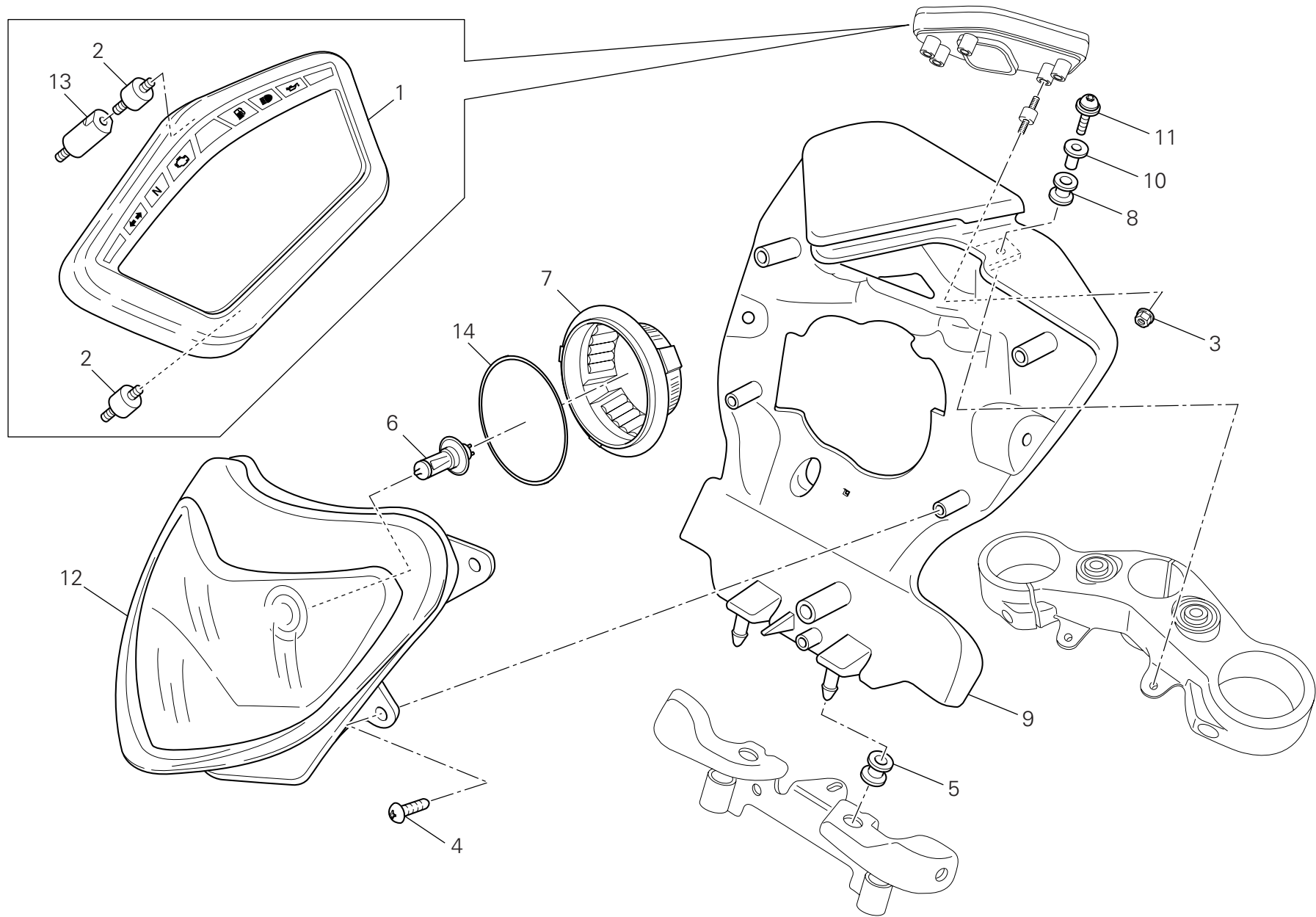
Electrical system

NOTES NO.	CODE NO.	DESCRIPTION	VALIDITY	Q.TY 
1	713.1.241.1A	Spacer		2
2	670.4.035.1A	Spark plug		2
3	671.1.028.2B	Spark plug cable (vertical)		1
4	771.5.042.8B	Screw		2
5	380.1.015.1A	Coil		2
6	711.1.181.1A	Spacer		2
7	771.5.049.8B	Screw		2
8	671.1.031.2B	Spark plug cable (horizontal)		1
9	741.1.010.1A	Hose guide		1
10	516.4.005.2A	Horn		1
11	716.1.022.1B	Spacer		3
12	286.4.185.1A	Injection control unit		1
13	764.1.075.1A	Rubber pad		3
14	540.4.011.1C	Voltage rectifier		1
15	771.5.675.8B	Screw		1
16	771.5.669.8B	Screw		2
17	772.1.093.1A	Screw		2
18	544.1.012.1A	Bracket		1
19	774.4.009.1A	Screw		3
20	852.5.029.1A	Washer		3
21	866.1.095.1A	Pad		1
22	829.1.190.1A	Rubber holder		1

NOTES NO.	CODE NO.	DESCRIPTION	VALIDITY	Q.TY 
-----------	----------	-------------	----------	--


CATALOGUE No: 915.1.305.1B
ISSUED: 11 - 09

CATALOGUE No: 915.1.305.1B
ISSUED: 11 - 09



DRAWING 021

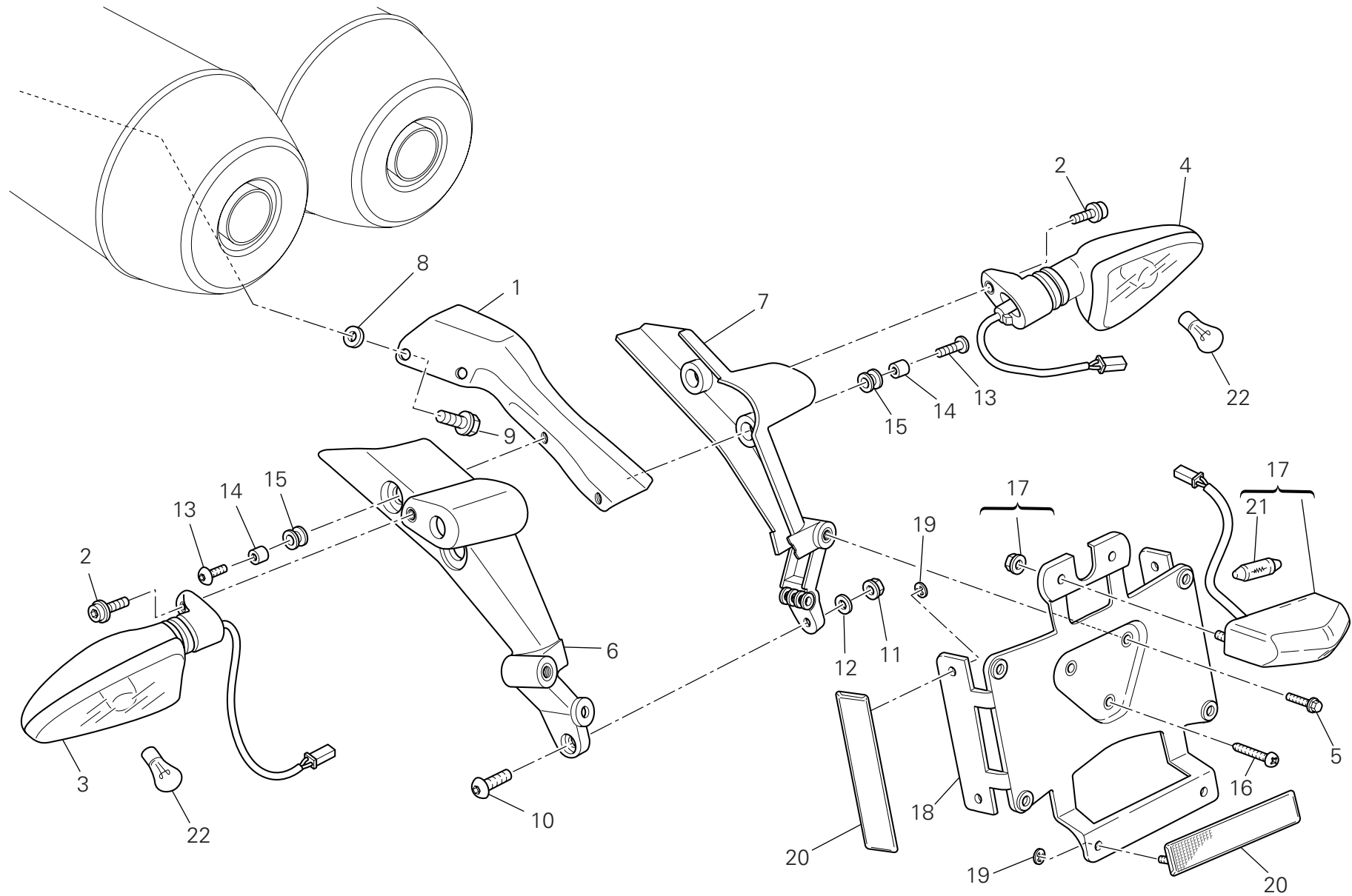
Headlight & instr. panel

NOTES NO.	CODE NO.	DESCRIPTION	VALIDITY	Q.TY 
1	406.1.077.2B	Instrument panel		1
2	700.1.038.1C	Vibration damper pad		3
3	748.4.038.1A	Nut		3
4	774.4.004.1A	Screw		4
5	764.1.069.1A	Rubber pad		2
6	390.4.024.1A	Bulb		1
7	390.4.026.1A	Cap		1
8	764.1.075.1A	Rubber pad		2
9	829.1.746.2A	Holder		1
10	716.1.022.1B	Spacer		2
11	772.4.043.8C	Screw		2
12	520.1.016.3A	Headlight		1
13	711.1.250.1A	Bush		1
14	390.4.027.1A	Gasket		1

NOTES NO.	CODE NO.	DESCRIPTION	VALIDITY	Q.TY 
-----------	----------	-------------	----------	--

DRAWING 022


Number plate holder



HYPERMOTARD 1100^{EVO} SP

DRAWING 022

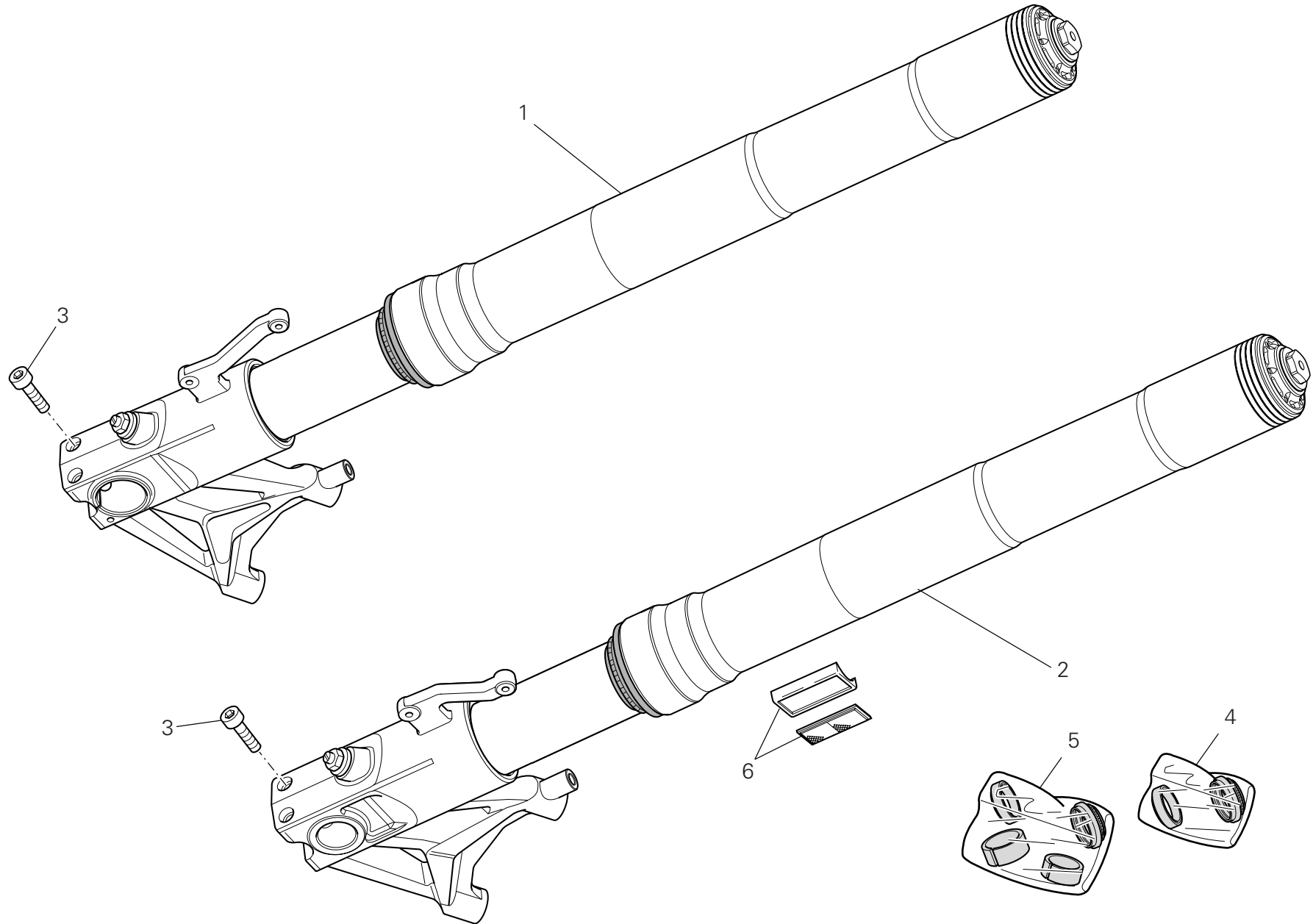
Number plate holder

NOTES NO.	CODE NO.	DESCRIPTION	VALIDITY	Q.TY 
1	827.1.445.1C	Bracket		1
2	771.5.665.8B	Screw		2
3	530.1.017.4A	Turn indicator (L.H.)		1
4	530.1.016.4A	Turn indicator (R.H.)		1
5	772.5.101.8B	Screw		2
6	561.1.041.1A	Holder (L.H.)		1
7	561.1.042.1A	Holder (R.H.)		1
8	852.4.016.1A	Washer		4
9	772.5.045.1A	Screw		4
10	775.5.014.1A	Screw		1
11	749.5.001.1B	Nut		1
12	852.5.001.1C	Washer		1
13	779.1.523.1A	Screw		4
14	711.1.253.1A	Bush		4
15	764.1.084.1A	Vibration damper pad		4
16	774.4.005.1A	Screw		1
17	525.1.030.2A	Headlight assembly		1
18	561.1.024.1A	Holder		1
19	850.4.052.1A	Quik fastening		6
20	529.1.010.1A	Reflector		3
21	390.4.016.1A	Bulb 12V-5W C5W		1
22	390.4.021.1A	Bulb 12V-10W RY10W		2

NOTES NO.	CODE NO.	DESCRIPTION	VALIDITY	Q.TY 
-----------	----------	-------------	----------	--

CATALOGUE No: 915.1.305.1B
ISSUED: 11 - 09


CATALOGUE No: 915.1.305.1B
ISSUED: 11 - 09



HYPERMOTARD 1100^{EVO} SP

DRAWING 023

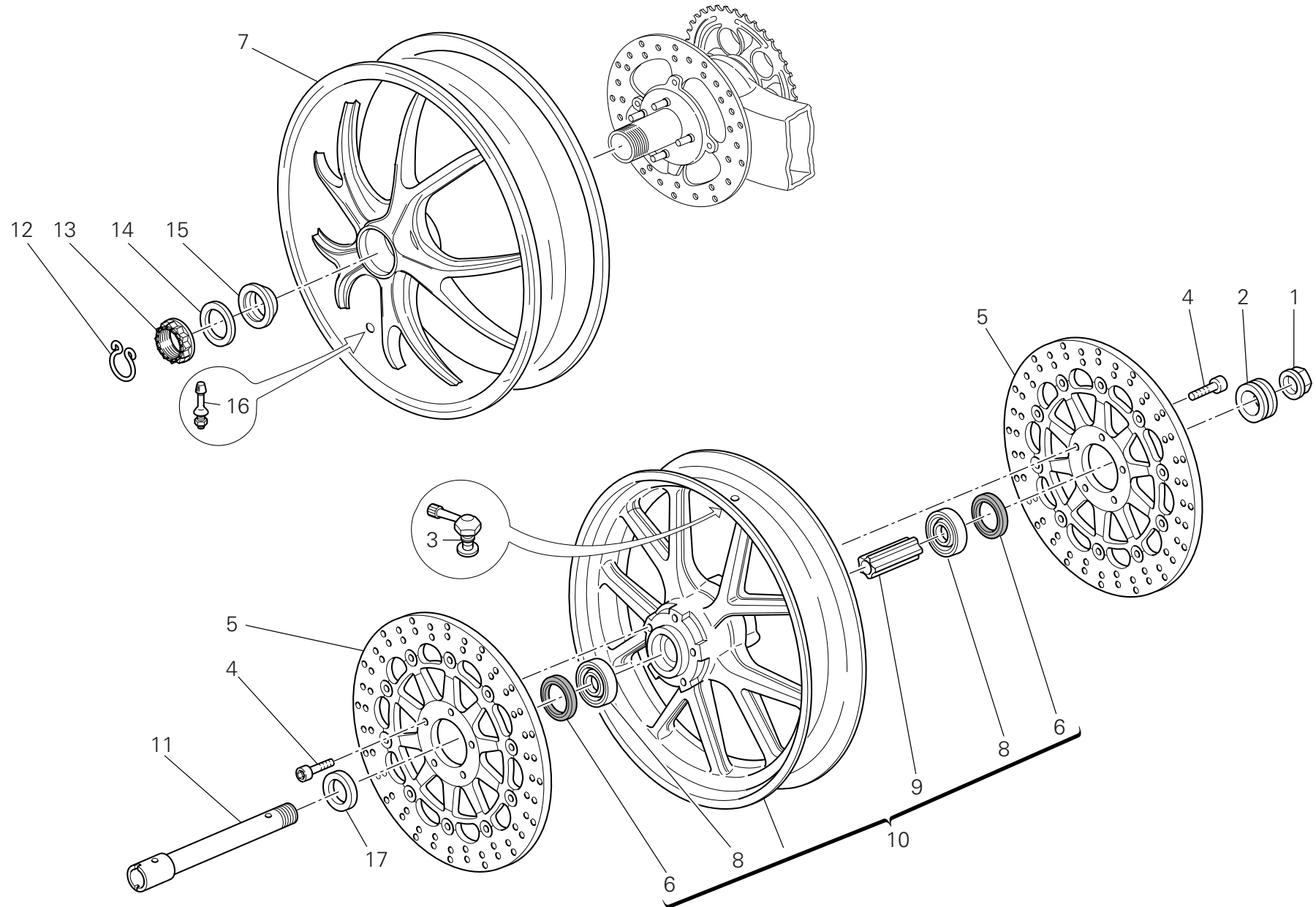
Front forks

NOTES NO.	CODE NO.	DESCRIPTION	VALIDITY	Q.TY 
1	344.2.033.1A	Fork leg assembly (R.H.)		1
2	345.2.033.1A	Fork leg assembly (L.H.)		1
3	771.5.072.8B	Screw		4
4	349.2.049.1A	Seat kit		2
5	349.2.057.1A	Overhaul kit		2
6	529.1.001.2A	Cat's eye (AMBER)		2

NOTES NO.	CODE NO.	DESCRIPTION	VALIDITY	Q.TY 
-----------	----------	-------------	----------	--

CATALOGUE No: 915.1.305.1B
ISSUED: 11 - 09

CATALOGUE No: 915.1.305.1B
ISSUED: 11 - 09



HYPERMOTARD 1100^{EVO} SP

DRAWING 024

Front and rear wheels

NOTES NO.	CODE NO.	DESCRIPTION	VALIDITY	Q.TY 
1	748.1.014.1C	Nut		1
2	713.1.197.3A	Spacer (L.H.)		1
3	497.2.001.2A	Valve		1
4	779.1.399.1A	Screw		10
5	492.4.092.1A	Brake disc (front)		2
6	930.4.052.1A	Seal ring		2
7	502.2.129.1AB	Wheel rim (rear)		1
8	702.5.045.1A	Bearing		2
9	714.1.047.1A	Spacer (internal)		1
10	501.2.115.1AB	Wheel rim (front)		1
11	819.1.043.1A	Front wheel spindle		1
12	759.1.009.1A	Clip		1
13	750.1.019.1B	Nut		1
14	852.1.057.1A	Washer		1
15	714.1.027.1A	Special washer		1
16	497.2.003.1A	Valve		1
17	713.1.196.1A	Spacer (R.H.)		1

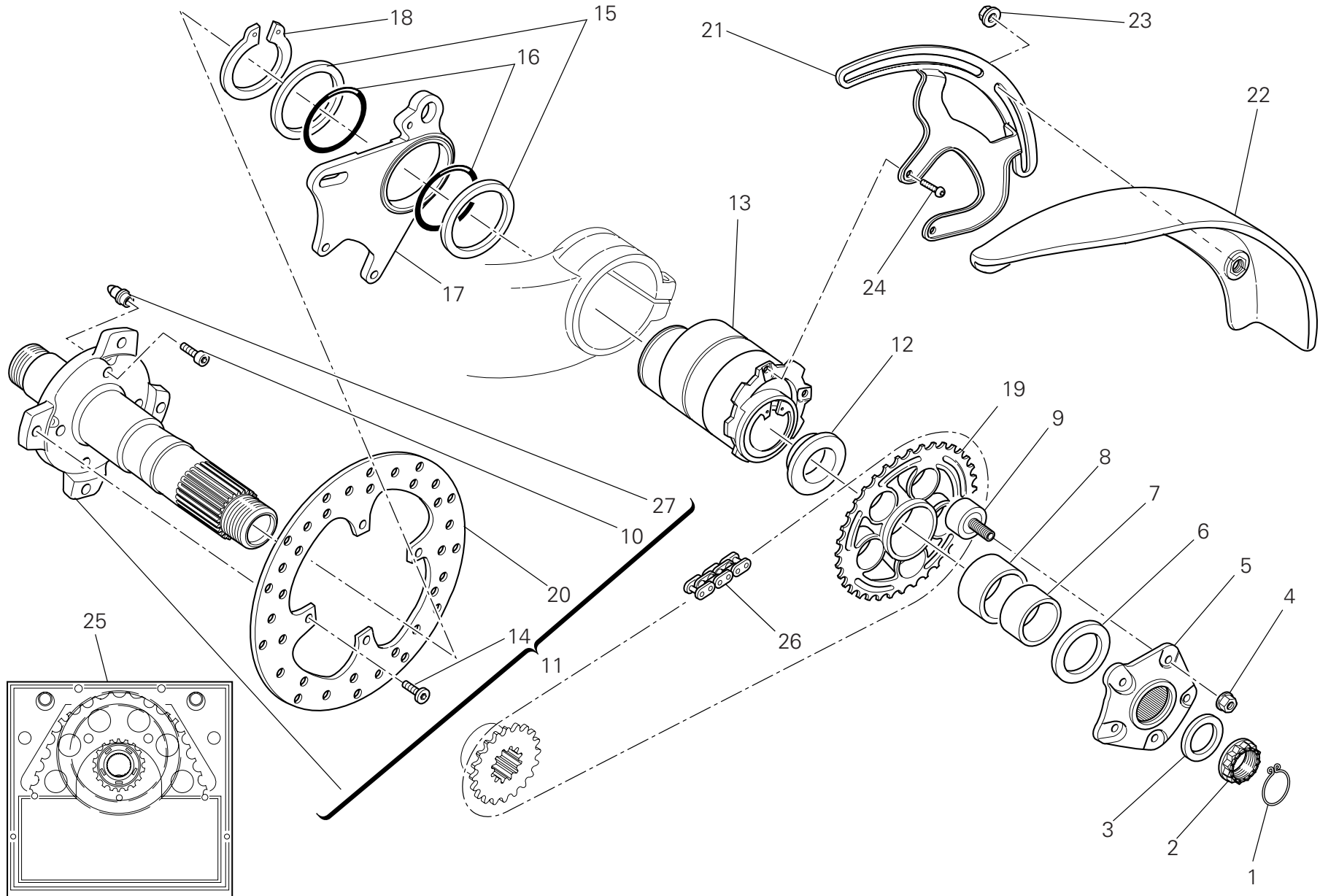
NOTES NO.	CODE NO.	DESCRIPTION	VALIDITY	Q.TY 
-----------	----------	-------------	----------	--

CATALOGUE No: 915.1.305.1B
ISSUED: 11 - 09

CATALOGUE No: 915.1.305.1B
ISSUED: 11 - 09

DRAWING 025


Rear wheel axle



HYPERMOTARD 1100^{EVO} SP

DRAWING 025

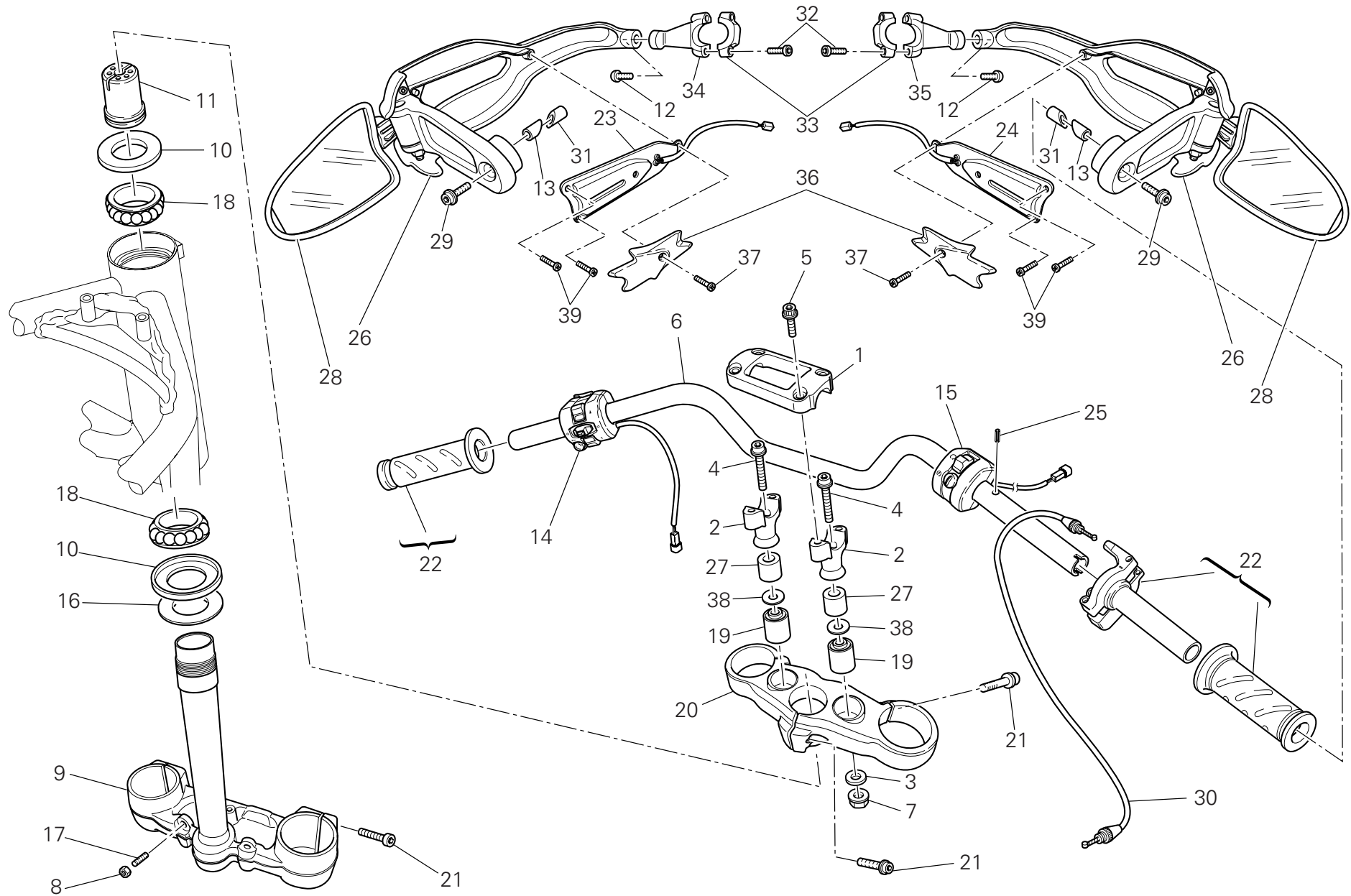
Rear wheel axle

NOTES NO.	CODE NO.	DESCRIPTION	VALIDITY	Q.TY 
1	759.1.008.1A	Clip		1
2	750.1.018.1C	Nut		1
3	852.1.055.1A	Washer		1
4	748.4.024.1AB	Nut		5
5	160.1.021.1CB	Rear sprocket flange		1
6	852.1.058.2A	Washer		1
7	711.1.067.1A	Bush		1
8	712.1.018.1A	Bush		1
9	700.9.055.1A	Rubber cush drive hub		5
10	772.1.005.1B	Screw		4
11	819.2.064.1A	Wheel spindle (rear)		1
12	714.1.041.1A	Spacer		1
13	756.2.006.2A	Eccentric		1
14	771.1.231.1A	Screw		4
15	852.1.059.1A	Washer		2
16	886.5.003.1A	O-Ring		2
17	825.1.035.2A	Caliper holder plate		1
18	884.5.004.1A	Circlip		1
19	494.1.135.1A	Ring gear Z=41		1
20	492.4.076.1A	Rear brake disc		1
21	830.1.282.1B	Bracket		1
22	564.1.045.1A	Mudflap		1
23	748.1.036.1A	Nut		2
24	775.1.033.1B	Screw		2
25	676.2.064.1B	Final drive kit		1
26	676.4.077.1A	Chain (104 Links)		1
27	863.1.001.1D	Pin		4

CATALOGUE No: 915.1.305.1B
ISSUED: 11 - 09


NOTES NO.	CODE NO.	DESCRIPTION	VALIDITY	Q.TY 
-----------	----------	-------------	----------	--

CATALOGUE No: 915.1.305.1B
ISSUED: 11 - 09




DRAWING 026

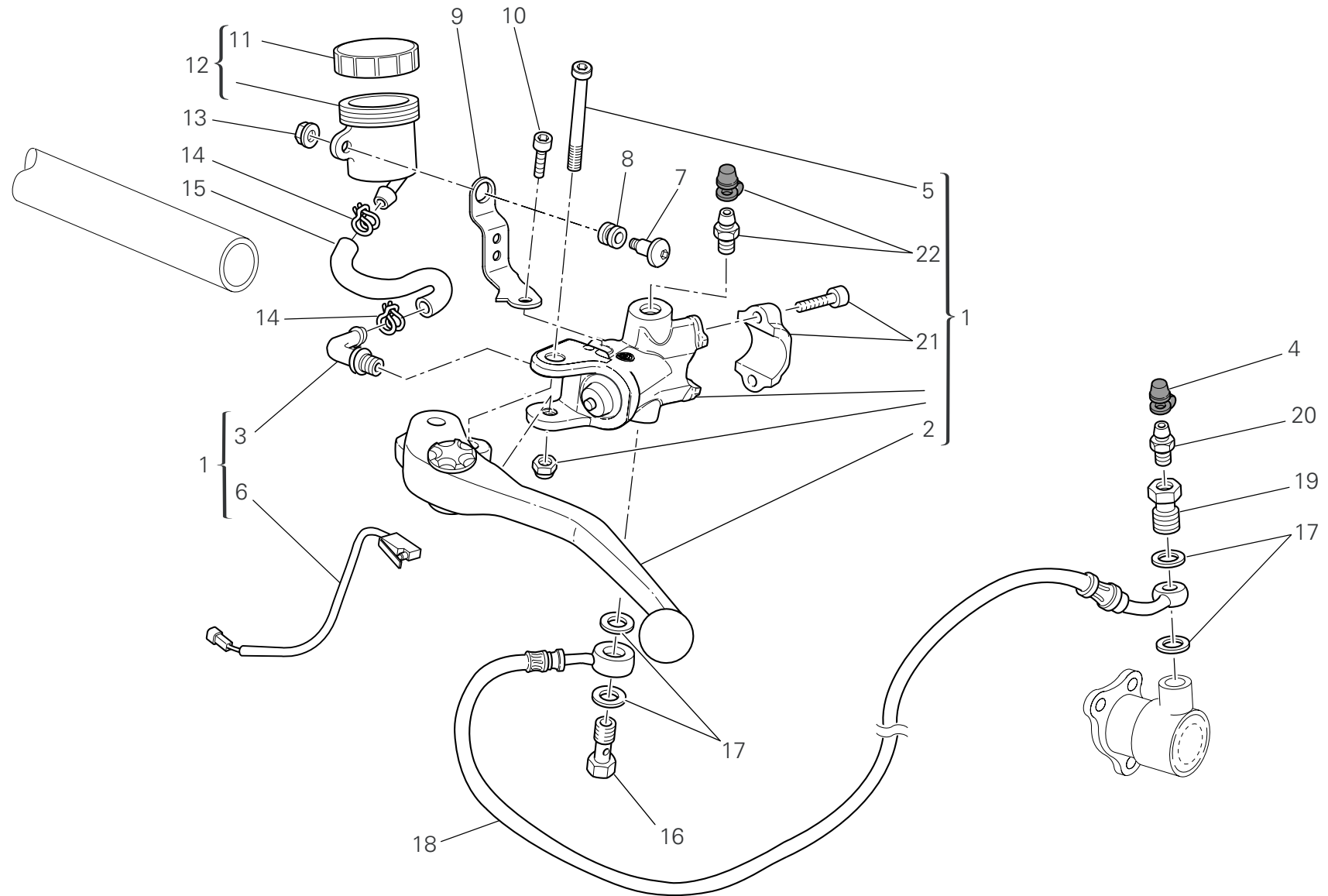
Handlebar and controls

NOTES NO.	CODE NO.	DESCRIPTION	VALIDITY	Q.TY 
1	360.1.117.1AB	Bracket		1
2	360.1.116.1AB	Stud bolt		2
3	852.1.049.1B	Washer		2
4	771.5.447.8B	Screw		2
5	771.5.725.8B	Screw		4
6	360.1.115.1A	Handlebar		1
7	748.4.024.1AB	Nut		2
8	747.5.007.1A	Nut		2
9	342.2.058.1AB	Steering head base		1
10	930.1.004.1B	Seal ring		2
11	703.1.044.1A	Ring nut		1
12	771.5.039.3B	Screw		2
13	710.1.107.1A	Bush		2
14	651.1.011.1A	Switch (L.H.)		1
15	650.1.009.1H	Switch (R.H.)		1
16	852.1.103.1A	Washer		1
17	779.1.099.1B	Special screw		2
18	702.4.004.1A	Bearing		2
19	700.1.054.1A	Spacer		2
20	341.1.079.1AB	Steering head		1
21	771.5.727.8B	Screw		9
22	654.2.003.2A	Throttle control		1
23	530.1.015.1A	Turn indicator (L.H.)		1
24	530.1.014.1A	Turn indicator (R.H.)		1
25	860.5.017.1A	Spring pin		2
26	460.1.270.2B	Hand guard		2
27	713.1.925.1A	Spacer		2

CATALOGUE No: 915.1.305.1B
ISSUED: 11 - 09


NOTES NO.	CODE NO.	DESCRIPTION	VALIDITY	Q.TY 
28	523.1.030.1A	Rear-view mirror		2
29	771.5.673.8B	Screw		2
30	656.1.089.2A	Cable		1
31	711.1.130.1A	Bush		2
32	773.5.041.3B	Screw		4
33	808.1.114.1A	Clamp		2
34	830.1.445.1B	Mirror holder (L.H.)		1
35	830.1.444.1B	Mirror holder (R.H.)		1
36	460.1.310.1A	Cover		2
37	774.5.012.1A	Screw		2
38	852.5.040.1A	Washer		2
39	774.5.011.1A	Screw		4

CATALOGUE No: 915.1.305.1B
ISSUED: 11 - 09



DRAWING 027

Clutch control

NOTES NO.	CODE NO.	DESCRIPTION	VALIDITY	Q.TY 
1	630.4.041.1A	Clutch drive pump		1
2	626.4.055.1A	Brake control lever		1
3	631.4.008.1A	Spare union		1
4	612.4.005.1A	Dust seal		1
5	626.4.056.1A	Pin		1
6	539.4.051.1A	Microswitch		1
7	779.1.092.1A	Screw		1
8	0370.72.020	Vibration damper pad		1
9	829.1.708.1A	Bracket		1
10	779.5.059.1A	Screw		1
11	893.4.005.1A	Cap		1
12	585.4.008.1A	Complete oil tank		1
13	8000.56443	Nut		1
14	741.4.043.1A	Hose guide		2
15	877.1.110.1A	Tube		1
16	779.1.366.1AB	Special screw		1
17	852.5.024.1A	Gasket th.1		4
18	632.1.043.1A	Clutch control pipe (METAL PLAITED)		1
19	779.1.397.1A	Special screw		1
20	187.1.002.1A	Bleed		1
21	626.4.057.1A	Bracket		1
22	631.4.028.1A	Spare bleed union		1

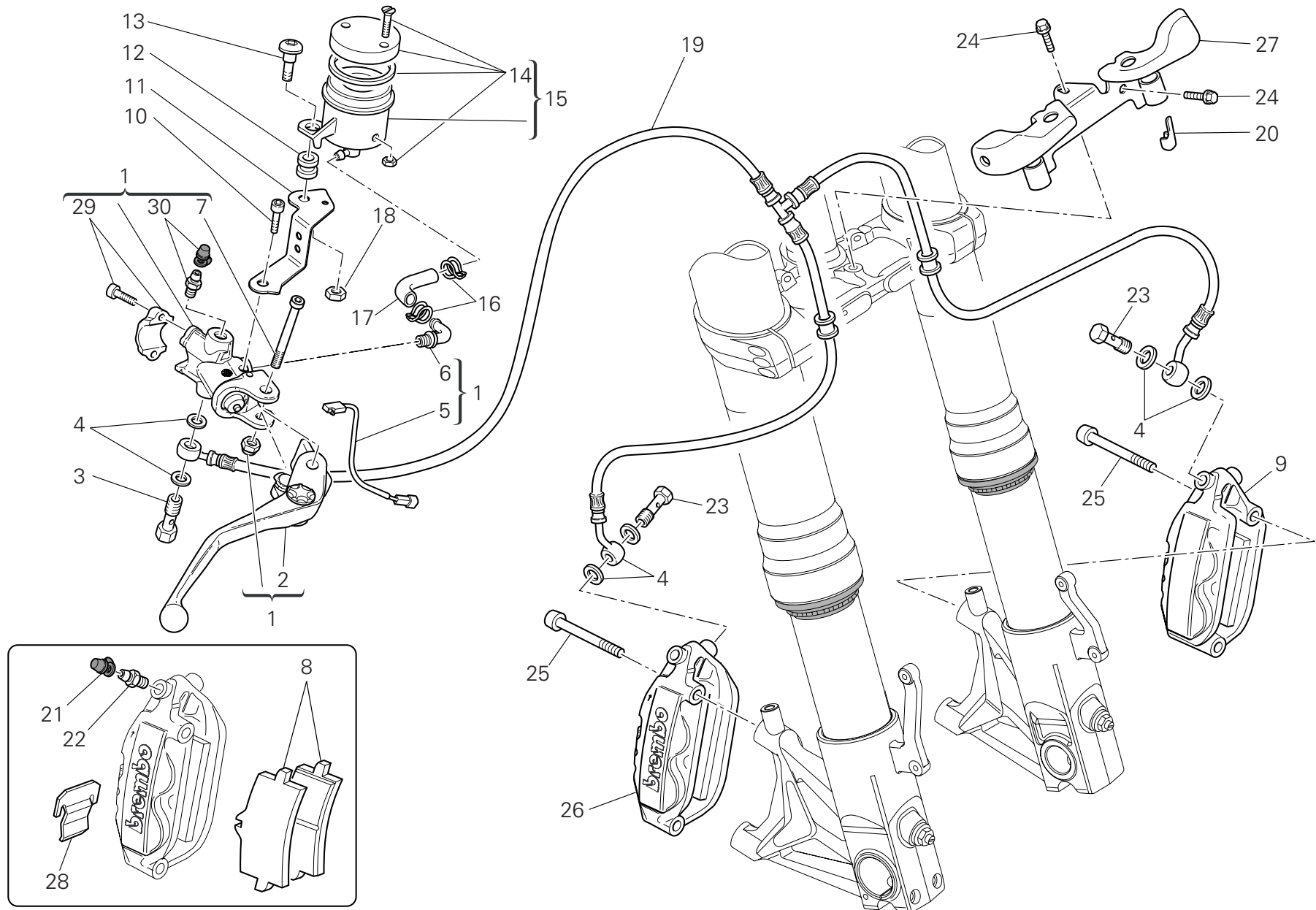
NOTES NO.	CODE NO.	DESCRIPTION	VALIDITY	Q.TY 
-----------	----------	-------------	----------	--

CATALOGUE No: 915.1.305.1B
ISSUED: 11 - 09

CATALOGUE No: 915.1.305.1B
ISSUED: 11 - 09

DRAWING 028

Front brake




HYPERMOTARD 1100^{EVO} SP

DRAWING 028

Front brake

NOTES NO.	CODE NO.	DESCRIPTION	VALIDITY	Q.TY 
1	624.4.051.1A	Front brake pump		1
2	626.4.058.1A	Brake control lever		1
3	779.1.415.1A	Special screw		1
4	852.5.024.1A	Gasket th.1		6
5	539.4.048.1A	Microswitch		1
6	631.4.008.1A	Spare union		1
7	626.4.056.1A	Pin		1
8	613.4.079.1A	Pads pair		2
9	610.4.090.1A	L.H. brake caliper		1
10	779.5.059.1A	Screw		1
11	829.1.709.1A	Bracket		1
12	0370.72.020	Vibration damper pad		1
13	779.1.092.1A	Screw		1
14	8000.68490	Spare cap		1
15	585.4.009.1A	Complete oil tank		1
16	741.4.043.1A	Hose guide		2
17	877.1.118.1A	Tube		1
18	8000.56443	Nut		1
19	618.4.097.1A	Caliper pump pipe		1
20	829.1.141.1C	Fairlead		2
21	612.4.005.1A	Dust seal		2
22	187.1.002.1A	Bleed		2
23	779.1.366.1AB	Special screw		2
24	772.5.097.8B	Screw		3
25	779.1.511.1A	Screw		4
26	610.4.091.1A	R.H. brake caliper		1
27	830.1.443.1A	Holder		1

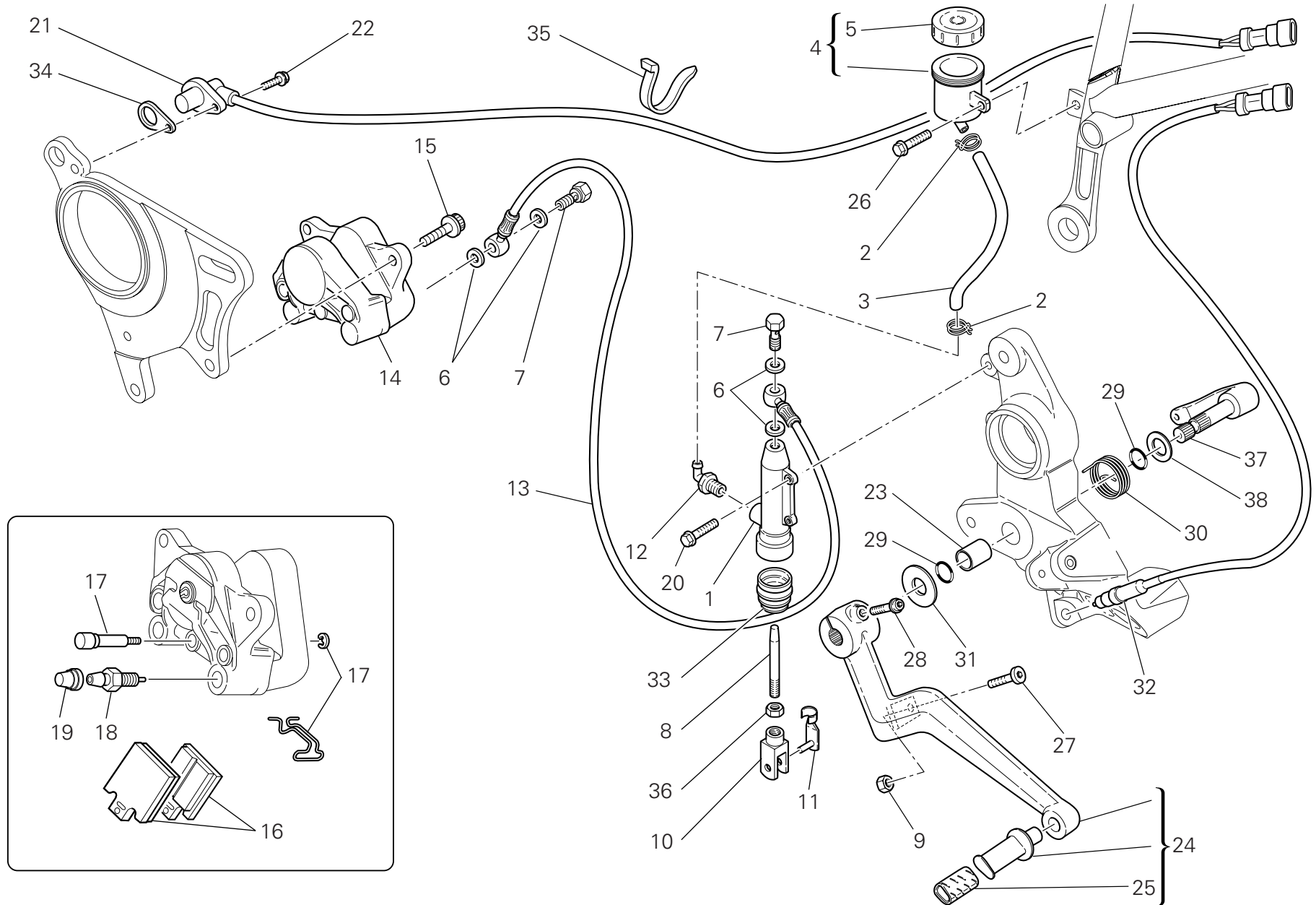
CATALOGUE No: 915.1.305.1B
ISSUED: 11 - 09

NOTES NO.	CODE NO.	DESCRIPTION	VALIDITY	Q.TY 
28	612.4.037.1A	Spring		2
29	626.4.057.1A	Bracket		1
30	631.4.028.1A	Spare bleed union		1

CATALOGUE No: 915.1.305.1B
ISSUED: 11 - 09

DRAWING **029**

Rear brake




DRAWING 029

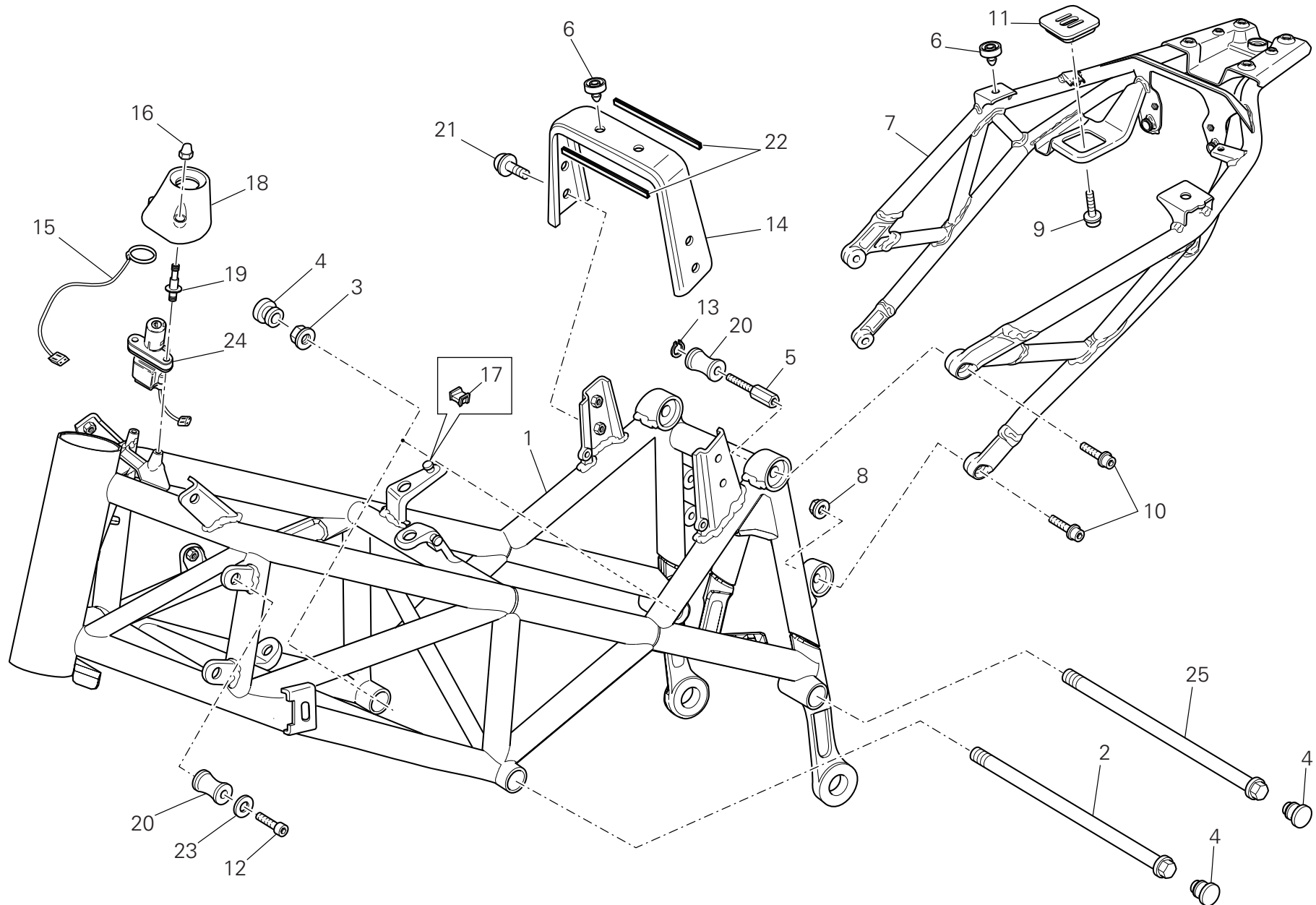
Rear brake

NOTES NO.	CODE NO.	DESCRIPTION	VALIDITY	Q.TY 
1	625.4.020.1A	Rear brake pump		1
2	741.4.043.1A	Hose guide		2
3	877.1.120.1A	Tube		1
4	585.4.001.1A	Complete oil tank		1
5	893.4.005.1A	Cap		1
6	852.5.024.1A	Gasket th.1		4
7	779.1.366.1AB	Special screw		2
8	117.1.067.1A	Adjuster rod		1
9	747.5.005.1B	Nut		1
10	184.1.005.1A	Fork		1
11	850.1.015.1A	Quik fastening		1
12	631.4.008.1A	Spare union		1
13	619.4.039.1A	Rear brake line (METAL PLAITED)		1
14	611.4.031.1A	Rear brake caliper		1
15	771.5.723.8B	Screw		2
16	613.4.038.1A	Pads pair		1
17	612.4.016.1A	Spare pins and spring		1
18	631.4.016.1A	Bleed		1
19	612.4.008.1A	Dust seal		1
20	772.1.063.1A	Screw		2
21	552.1.043.4A	Speed sensor		1
22	772.5.099.8B	Screw		1
23	712.1.034.1A	Bush		1
24	457.2.049.1AB	Brake lever		1
25	764.1.011.2A	Rubber pad		1
26	772.1.050.1C	Screw		1
27	779.1.237.1B	Adjusting screw		1

CATALOGUE No: 915.1.305.1B
ISSUED: 11 - 09


NOTES NO.	CODE NO.	DESCRIPTION	VALIDITY	Q.TY 
28	771.5.668.8B	Screw		1
29	886.4.116.1A	O-ring		2
30	799.1.174.1A	Return spring		1
31	852.1.153.1A	Washer		1
32	539.4.003.1B	Switch		1
33	626.4.013.1A	Dust cover		1
34	713.1.192.1A	Spacer		1
35	741.4.038.1A	Hose guide		2
36	747.5.003.1A	Nut		1
37	455.1.015.1B	Brake master cylinder lever		1
38	852.1.152.1A	Washer		1

CATALOGUE No: 915.1.305.1B
ISSUED: 11 - 09



HYPERMOTARD 1100^{EVO} SP

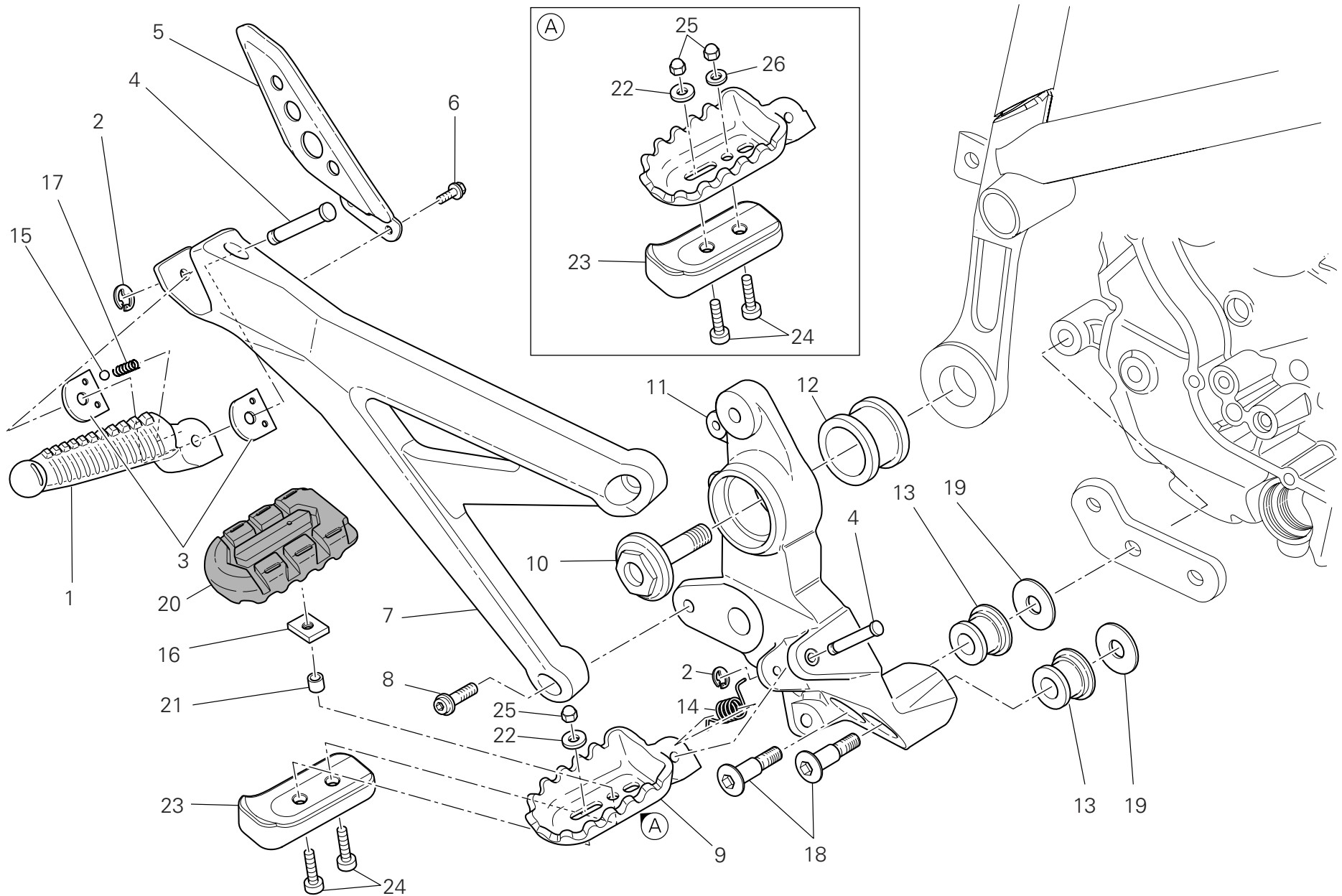
DRAWING **030** Frame

NOTES NO.	CODE NO.	DESCRIPTION	VALIDITY	Q.TY 
1	470.1.701.2AA	Frame (RED)		1
2	779.1.484.2B	Special screw		1
3	748.4.002.1A	Nut		2
4	872.1.026.1A	Cap		4
5	779.1.587.1A	Pin		2
6	866.1.100.1A	Pad		4
7	470.1.195.1DB	Rear frame		1
8	748.1.044.1A	Nut		2
9	779.1.543.1A	Special screw		1
10	771.5.725.8C	Screw		4
11	866.1.047.1A	Pad		1
12	771.5.673.8B	Screw		1
13	884.5.044.1A	Snap ring		2
14	830.1.446.1A	Bracket		1
15	518.4.004.2B	Antenna		1
16	749.1.002.1A	Special nut		2
17	850.4.067.1A	Clamp		16
18	246.1.060.2A	Cover		1
19	779.1.221.1B	Special screw		2
20	866.1.097.1A	Rubber pad		3
21	772.1.102.1A	Screw		4
22	764.1.110.1A	Protection rubber		2
23	852.5.030.1A	Washer		1
24	652.4.015.1A	Switch		1
25	779.1.615.1A	Special screw		1

NOTES NO.	CODE NO.	DESCRIPTION	VALIDITY	Q.TY 
-----------	----------	-------------	----------	--

CATALOGUE No: 915.1.305.1B
ISSUED: 11 - 09

CATALOGUE No: 915.1.305.1B
ISSUED: 11 - 09



HYPERMOTARD 1100^{EVO} SP

DRAWING 031

R.h. footrests

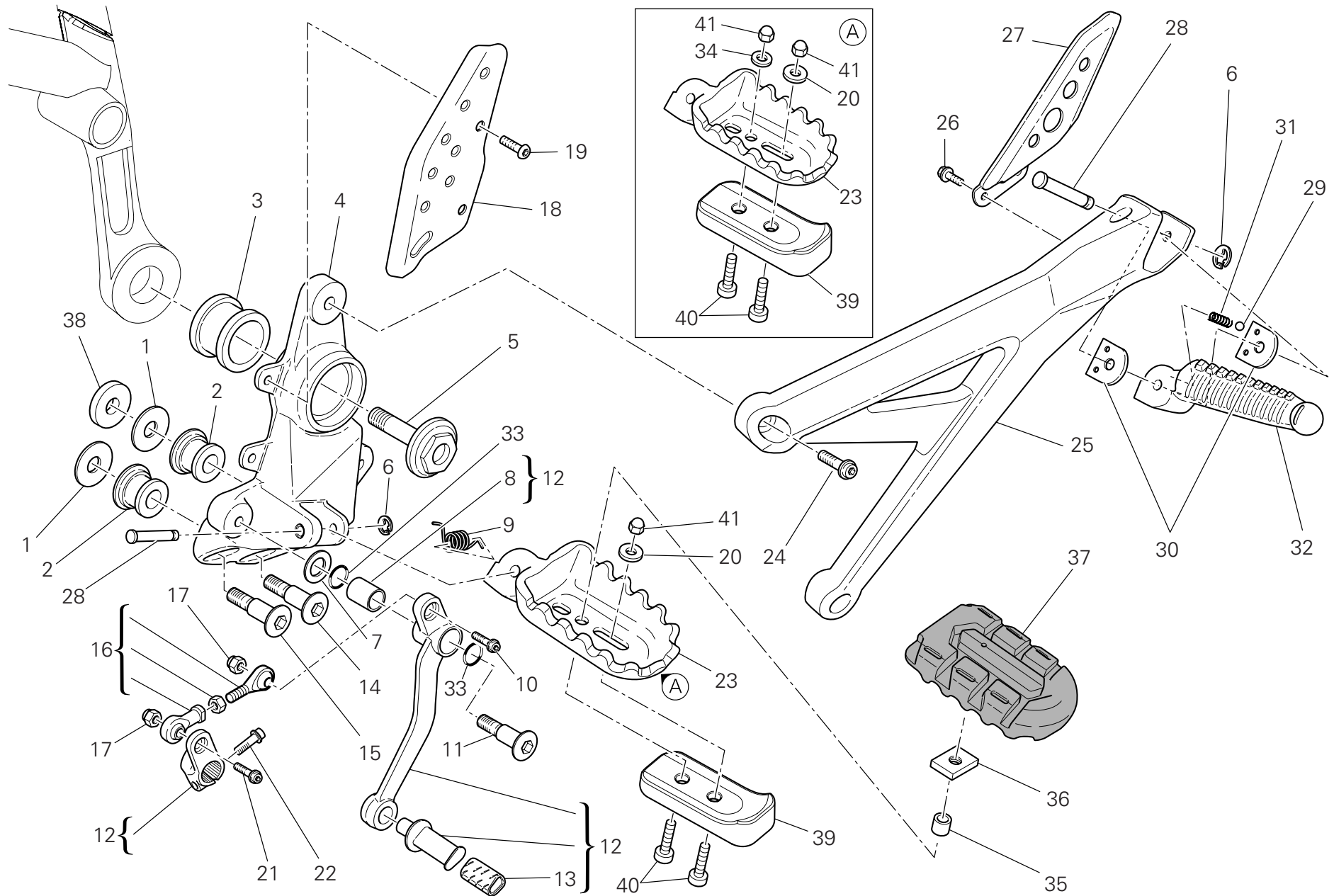
NOTES NO.	CODE NO.	DESCRIPTION	VALIDITY	Q.TY 
1	465.1.065.1A	Rear foot peg (R.H.)		1
2	884.5.003.1A	Ring		2
3	827.1.115.1B	Plate		2
4	821.1.068.1B	Pin		2
5	247.1.262.1B	Rear heel guard		1
6	772.5.071.8B	Screw		2
7	824.1.164.1AB	Rear foot peg holder plate (R.H.)		1
8	771.1.035.1A	Screw		2
9	464.1.050.1B	Front foot peg (R.H.)		1
10	779.1.305.1A	Special screw		1
11	824.1.166.1AB	Foot peg holder plate (R.H.)		1
12	764.1.066.1A	Rubber pad		1
13	700.1.049.1A	Vibration damper		2
14	799.1.166.1B	Spring		1
15	847.4.002.1A	Ball		1
16	827.1.454.1A	Plate		1
17	799.1.252.1B	Spring		1
18	779.1.418.1A	Screw		2
19	852.1.065.1B	Washer		2
20	247.1.313.1A	Foot peg cover		1
21	711.1.253.1A	Bush		1
22	852.1.167.1B	Washer		1
23	460.1.430.1A	Skate		1
24	773.5.067.8B	Screw		2
25	749.1.002.1A	Special nut		2
26	852.1.264.1A	Washer		1

NOTES NO.	CODE NO.	DESCRIPTION	VALIDITY	Q.TY 
-----------	----------	-------------	----------	--

CATALOGUE No: 915.1.305.1B
ISSUED: 11 - 09


CATALOGUE No: 915.1.305.1B
ISSUED: 11 - 09

DRAWING 031a L.h. footrests




HYPERMOTARD 1100^{EVO} SP

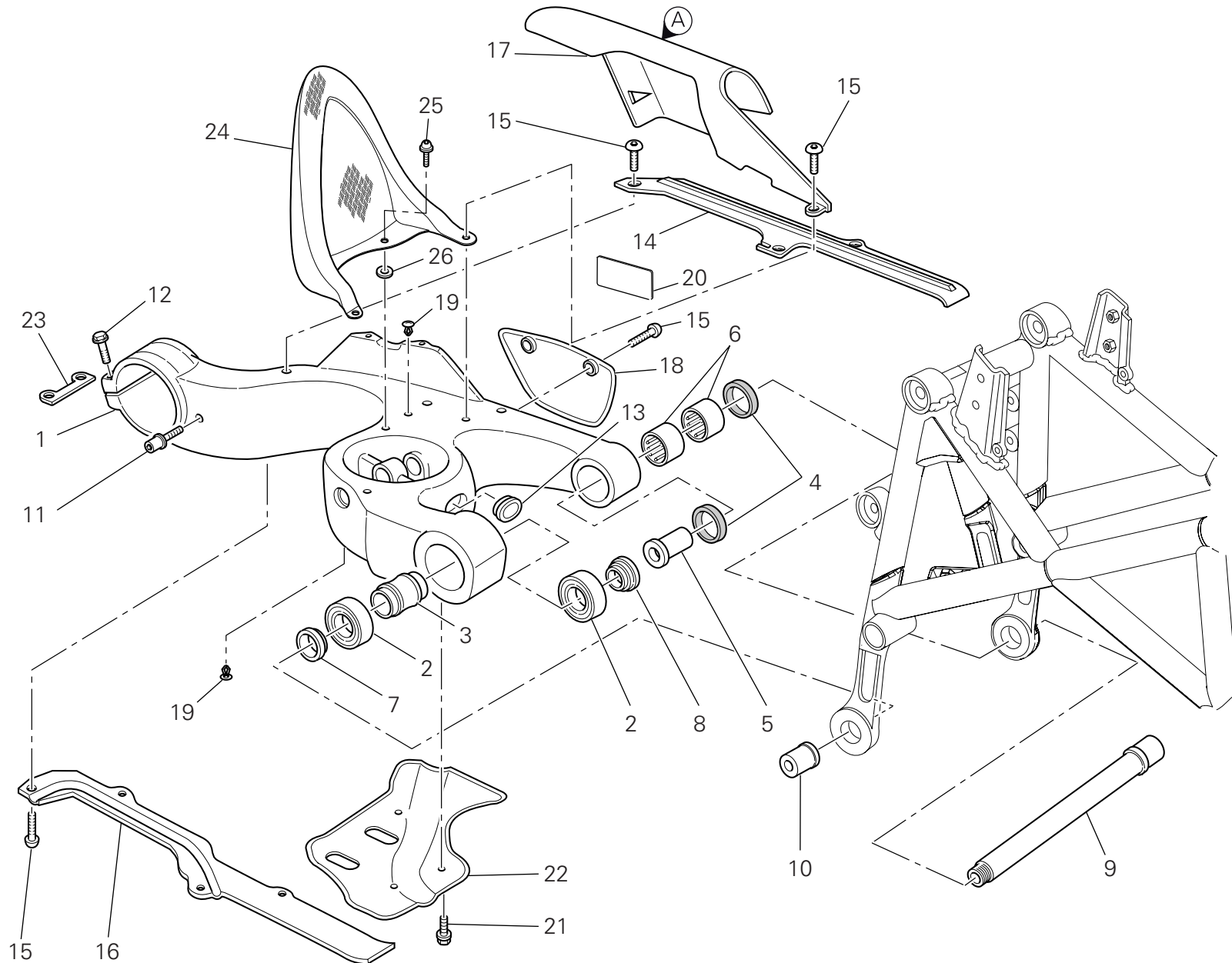
DRAWING 031a L.h. footrests

NOTES NO.	CODE NO.	DESCRIPTION	VALIDITY	Q.TY 
1	852.1.065.1B	Washer		2
2	700.1.049.1A	Vibration damper		2
3	764.1.066.1A	Rubber pad		1
4	824.1.165.1AB	Foot peg holder plate (L.H.)		1
5	779.1.305.1A	Special screw		1
6	884.5.003.1A	Ring		2
7	852.1.053.2A	Washer		1
8	712.1.034.1A	Bush		1
9	799.1.166.1B	Spring		1
10	771.5.667.8B	Screw		1
11	821.1.170.1A	Pin		1
12	456.2.058.1AB	Gearchange lever		1
13	764.1.011.2A	Rubber pad		1
14	779.1.418.1A	Screw		1
15	779.1.206.1AB	Special screw		1
16	848.4.040.1A	Gearbox transmission rod		1
17	749.4.004.1A	Nut		2
18	827.1.279.1B	Chain cover		1
19	775.1.031.1B	Screw		2
20	852.1.167.1B	Washer		1
21	771.5.668.8B	Screw		1
22	771.1.019.1A	Screw		1
23	464.1.051.1B	Front foot peg (L.H.)		1
24	771.1.035.1A	Screw		2
25	824.1.163.1AB	Rear foot peg holder plate (L.H.)		1
26	772.5.071.8B	Screw		2
27	247.1.262.1B	Rear heel guard		1

CATALOGUE No: 915.1.305.1B
ISSUED: 11 - 09

NOTES NO.	CODE NO.	DESCRIPTION	VALIDITY	Q.TY 
28	821.1.068.1B	Pin		2
29	847.4.002.1A	Ball		1
30	827.1.115.1B	Plate		2
31	799.1.252.1B	Spring		1
32	465.1.064.1A	Rear foot peg (L.H.)		1
33	886.4.116.1A	O-ring		2
34	852.1.264.1A	Washer		1
35	711.1.253.1A	Bush		1
36	827.1.454.1A	Plate		1
37	247.1.313.1A	Foot peg cover		1
38	852.1.179.1A	Washer		1
39	460.1.430.1A	Skate		1
40	773.5.067.8B	Screw		2
41	749.1.002.1A	Special nut		2

CATALOGUE No: 915.1.305.1B
ISSUED: 11 - 09



HYPERMOTARD 1100^{EVO} SP

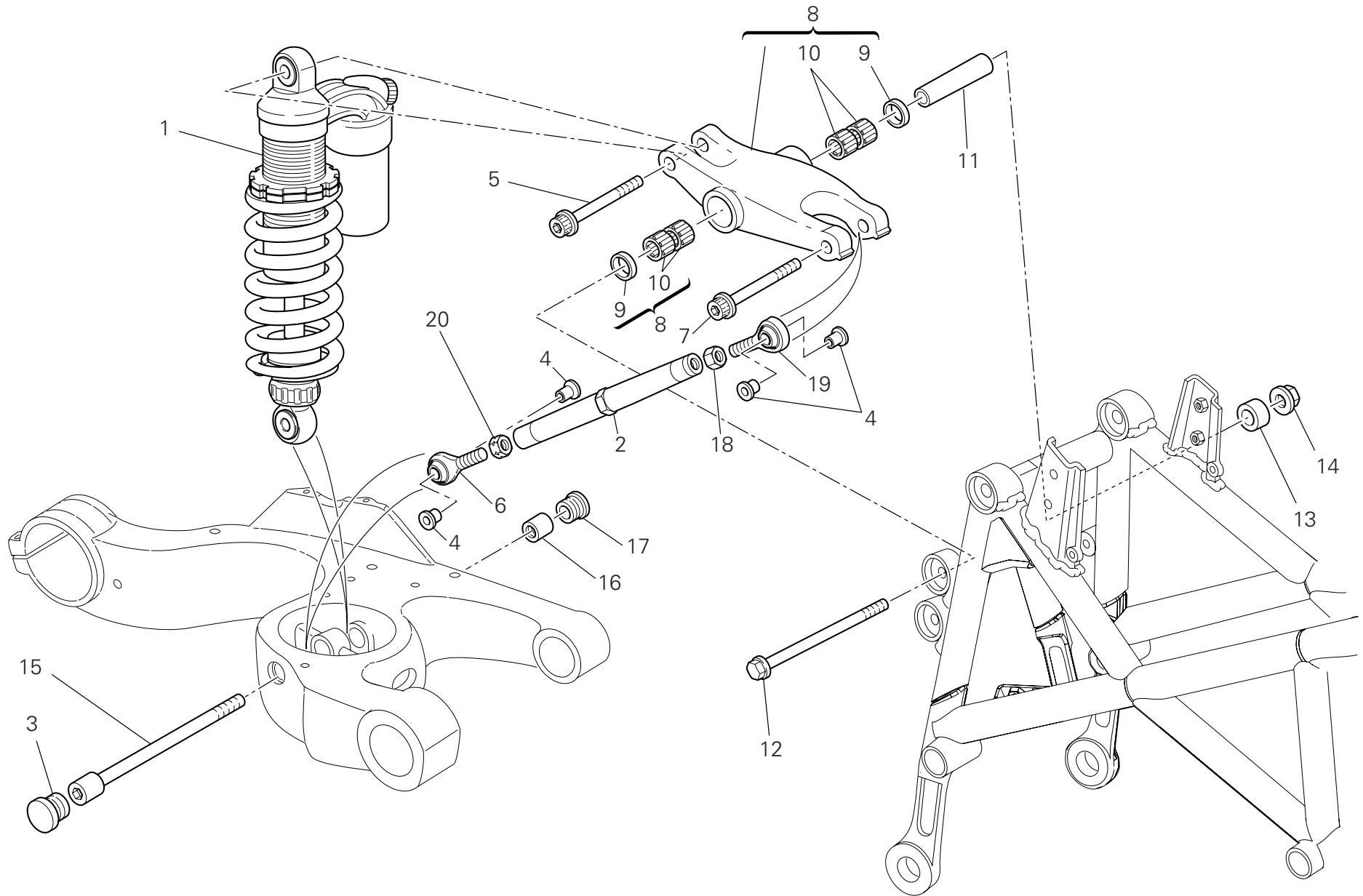
DRAWING 032 Swingarm

NOTES NO.	CODE NO.	DESCRIPTION	VALIDITY	Q.TY 
1	370.1.033.1D	Swingarm		1
2	702.5.045.1A	Bearing		2
3	713.1.187.1A	Spacer		1
4	930.5.012.1A	Seal ring		2
5	710.1.109.1A	Bush		1
6	701.4.017.1A	Needle bearing		2
7	712.1.029.1A	Spacer		1
8	712.1.031.1A	Spacer (L.H.)		1
9	369.1.011.1A	Swingarm pivot		1
10	750.1.116.1A	Special nut		1
11	832.1.003.1C	Pin		1
12	772.1.004.2B	Screw		2
13	872.1.016.1A	Cap		1
14	447.1.048.1A	Upper chain sliding shoer		1
15	775.1.008.1B	Screw		12
16	447.1.049.1A	Lower chain sliding shoe		1
17	447.1.051.1A	Upper chain guard		1
18	447.1.050.1A	Lower chain guard		1
19	872.4.044.1A	Cap		5
20	433.1.356.1A	Chain adjustment sticker		1
21	772.1.060.1A	Screw		3
22	460.1.153.1A	Heat guard		1
23	827.1.311.1A	Plate		1
24	565.1.052.1A	Mudguard (rear) (CARBON)		1
25	772.1.042.3C	Screw		2
26	856.1.042.1A	Nylon washer		2

NOTES NO.	CODE NO.	DESCRIPTION	VALIDITY	Q.TY 
-----------	----------	-------------	----------	--


CATALOGUE No: 915.1.305.1B
ISSUED: 11 - 09

CATALOGUE No: 915.1.305.1B
ISSUED: 11 - 09



HYPERMOTARD 1100^{EVO} SP

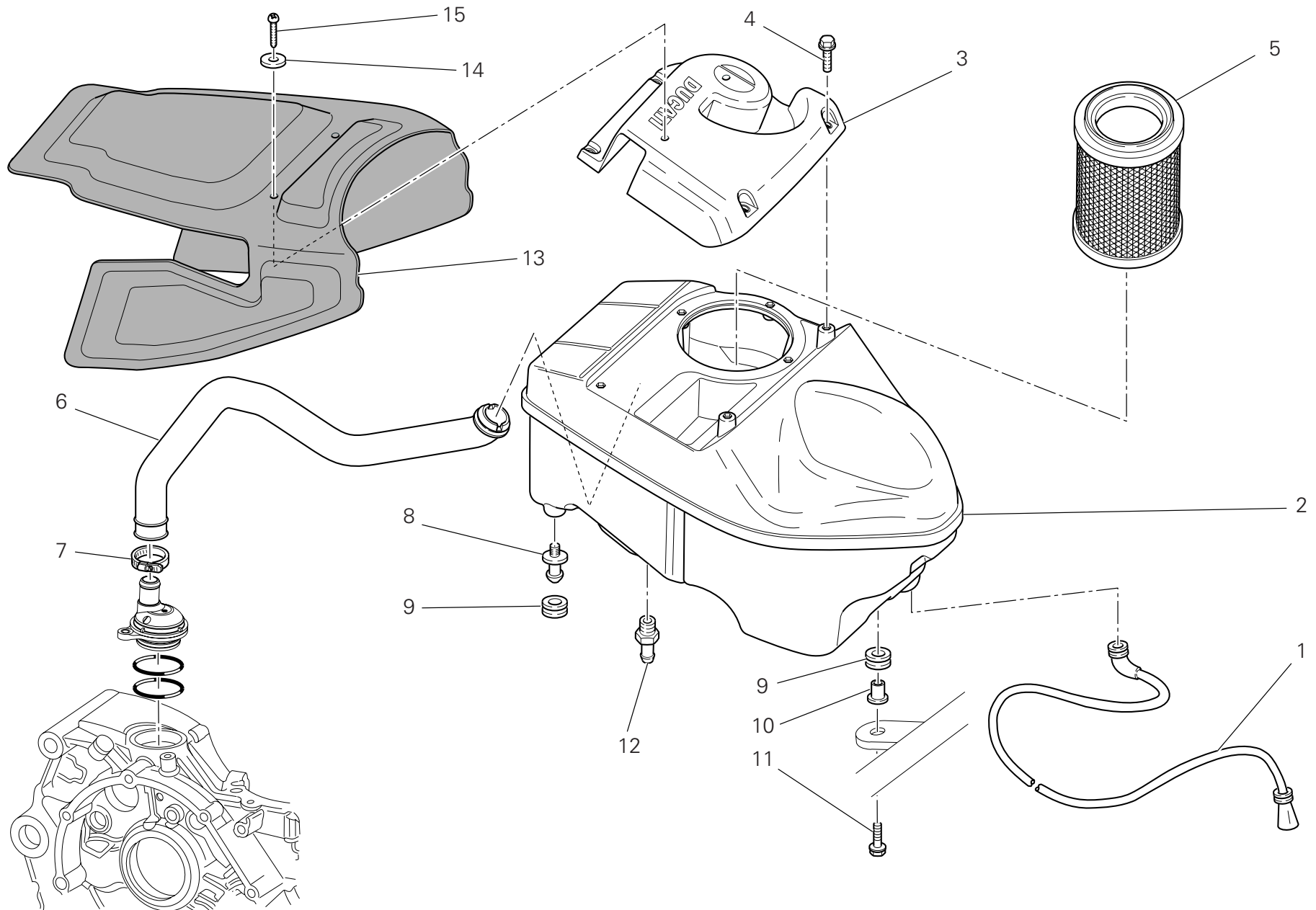
DRAWING 033 Rear suspension

NOTES NO.	CODE NO.	DESCRIPTION	VALIDITY	Q.TY 
1	365.2.097.1A	Shock absorber (OHLINS)		1
2	875.1.076.2A	Tie rod		1
3	872.1.041.1A	R.H. cap		1
4	710.1.025.1A	Bush		4
5	771.5.938.8B	Screw		1
6	848.4.027.1A	Ball joint		1
7	771.5.937.8B	Screw		1
8	372.2.016.1A	Rocker assembly		1
9	930.4.145.1A	Seal ring		2
10	701.4.006.1A	Needle bearing		4
11	715.1.005.1A	Spacer		1
12	771.1.031.1A	Screw		1
13	713.1.238.1A	Spacer		1
14	748.4.037.1AB	Nut		1
15	771.1.016.1A	Screw		1
16	750.1.117.1A	Special nut		1
17	872.1.042.1A	L.H. cap		1
18	417.9.090.1B	Nut		1
19	848.4.026.1A	Ball joint		1
20	747.1.006.1A	Nut		1

NOTES NO.	CODE NO.	DESCRIPTION	VALIDITY	Q.TY 
-----------	----------	-------------	----------	--

CATALOGUE No: 915.1.305.1B
ISSUED: 11 - 09


CATALOGUE No: 915.1.305.1B
ISSUED: 11 - 09



HYPERMOTARD 1100^{EVO} SP

DRAWING 034

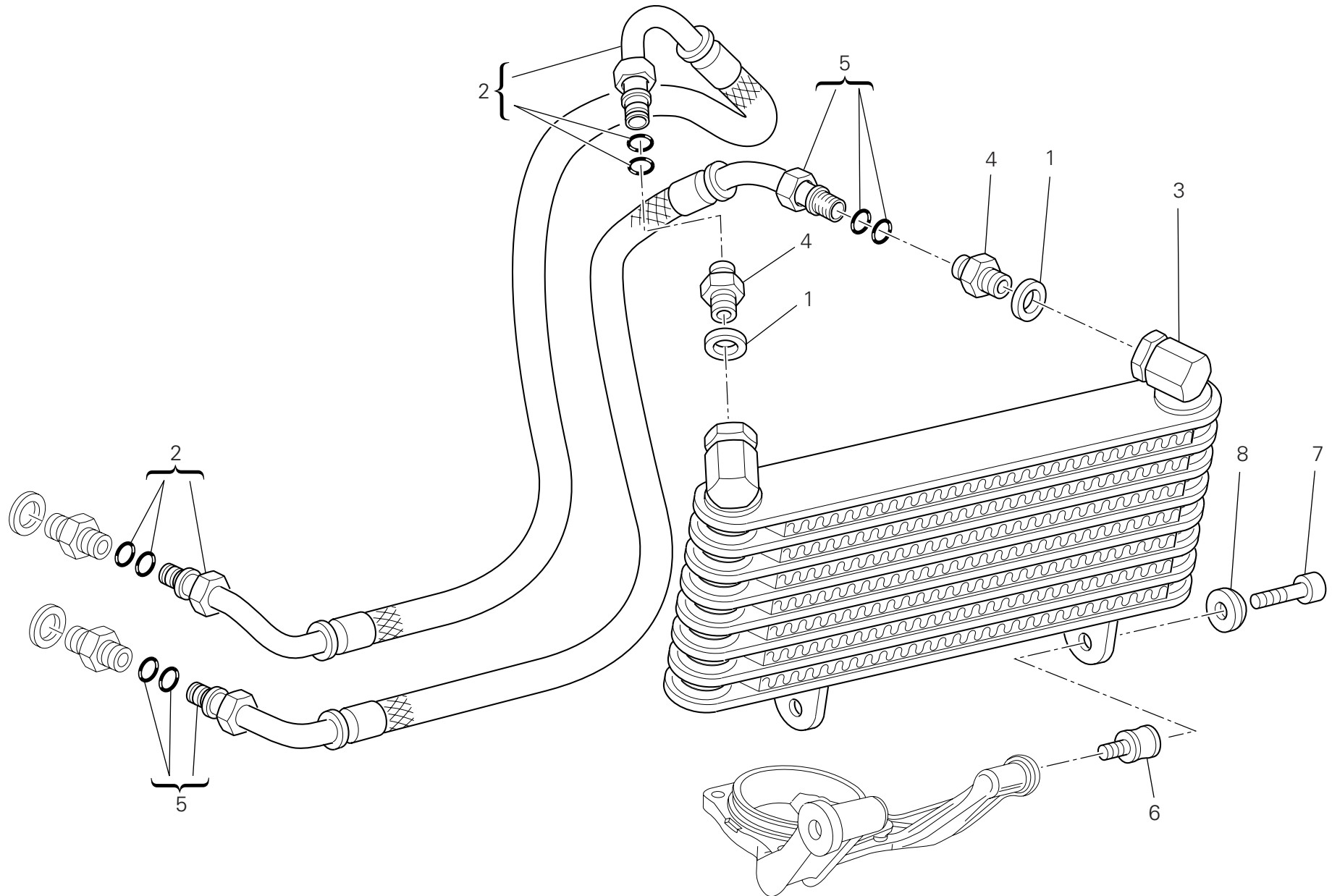
Air intake - oil breather

NOTES NO.	CODE NO.	DESCRIPTION	VALIDITY	Q.TY 
1	877.2.046.2A	Tube		1
2	442.1.129.1C	Air filter box		1
3	246.1.206.1A	Filter case cover		1
4	772.5.071.8B	Screw		6
5	426.1.025.1A	Filter element		1
6	876.1.093.1A	Breather pipe		1
7	741.4.181.1A	Clamp		1
8	821.1.075.2A	Pin		2
9	764.1.090.1A	Rubber pad		3
10	716.1.022.1B	Spacer		1
11	772.5.101.8B	Screw		1
12	814.1.331.1A	Union		1
13	486.1.076.1B	Panel		1
14	852.4.173.1A	Washer		2
15	774.4.007.1A	Screw		2

NOTES NO.	CODE NO.	DESCRIPTION	VALIDITY	Q.TY 
-----------	----------	-------------	----------	--


CATALOGUE No: 915.1.305.1B
ISSUED: 11 - 09

CATALOGUE No: 915.1.305.1B
ISSUED: 11 - 09



HYPERMOTARD 1100^{EVO} SP

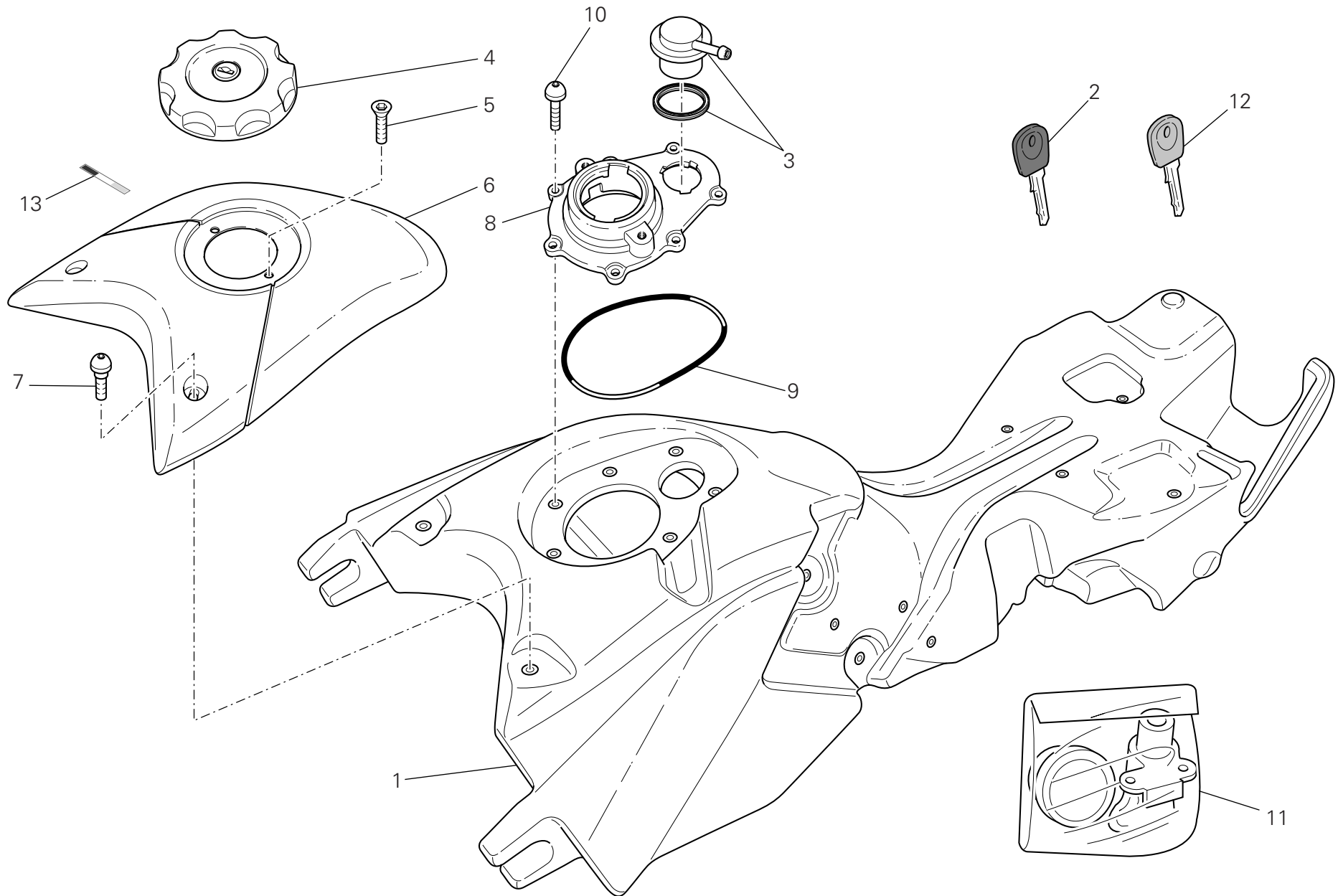
DRAWING 035 Oil cooler

NOTES NO.	CODE NO.	DESCRIPTION	VALIDITY	Q.TY 
1	420.2.006.4A	Aluminium gasket		2
2	875.1.136.1A	Oil delivery pipe		1
3	548.4.093.1A	Oil cooler		1
4	815.1.022.1A	Nipple		2
5	875.1.140.2A	Oil return pipe		1
6	700.1.011.1B	Vibration damper		2
7	773.5.063.8B	Screw		2
8	841.1.001.1C	Retainer		2

NOTES NO.	CODE NO.	DESCRIPTION	VALIDITY	Q.TY 
-----------	----------	-------------	----------	--

CATALOGUE No: 915.1.305.1B
ISSUED: 11 - 09


CATALOGUE No: 915.1.305.1B
ISSUED: 11 - 09



HYPERMOTARD 1100^{EVO} SP

DRAWING 036

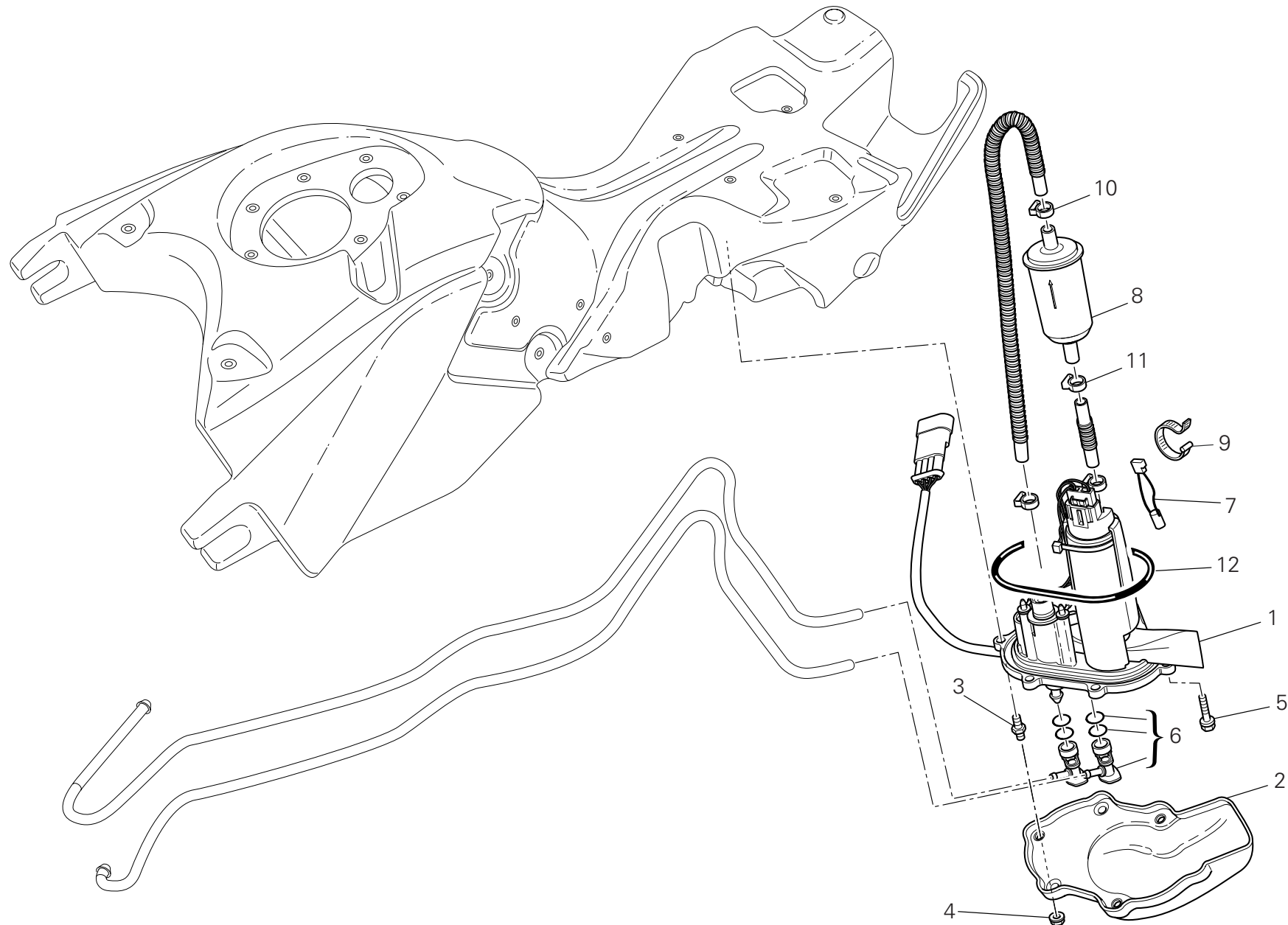
Fuel tank

NOTES NO.	CODE NO.	DESCRIPTION	VALIDITY	Q.TY 
1	586.3.170.2B	Tank (unpainted)		1
2	598.4.024.1A	Wrench with Transponder		1
3	593.4.035.1A	Breather valve		1
4	895.2.018.2A	Tank cap		1
5	777.5.033.8B	Screw		2
6	480.1.254.2B	Cover		1
7	779.1.290.1A	Screw		2
8	668.1.040.1A	Filler		1
9	886.4.130.1A	O-ring		1
10	775.1.004.1A	Screw		7
11	598.2.059.1B	Key-operated switch		1
12	598.4.018.3A	Wrench without Transponder		1
13	435.1.150.1A	Italian flag decal		1

NOTES NO.	CODE NO.	DESCRIPTION	VALIDITY	Q.TY 
-----------	----------	-------------	----------	--

CATALOGUE No: 915.1.305.1B
ISSUED: 11 - 09


CATALOGUE No: 915.1.305.1B
ISSUED: 11 - 09



HYPERMOTARD 1100^{EVO} SP

DRAWING 037

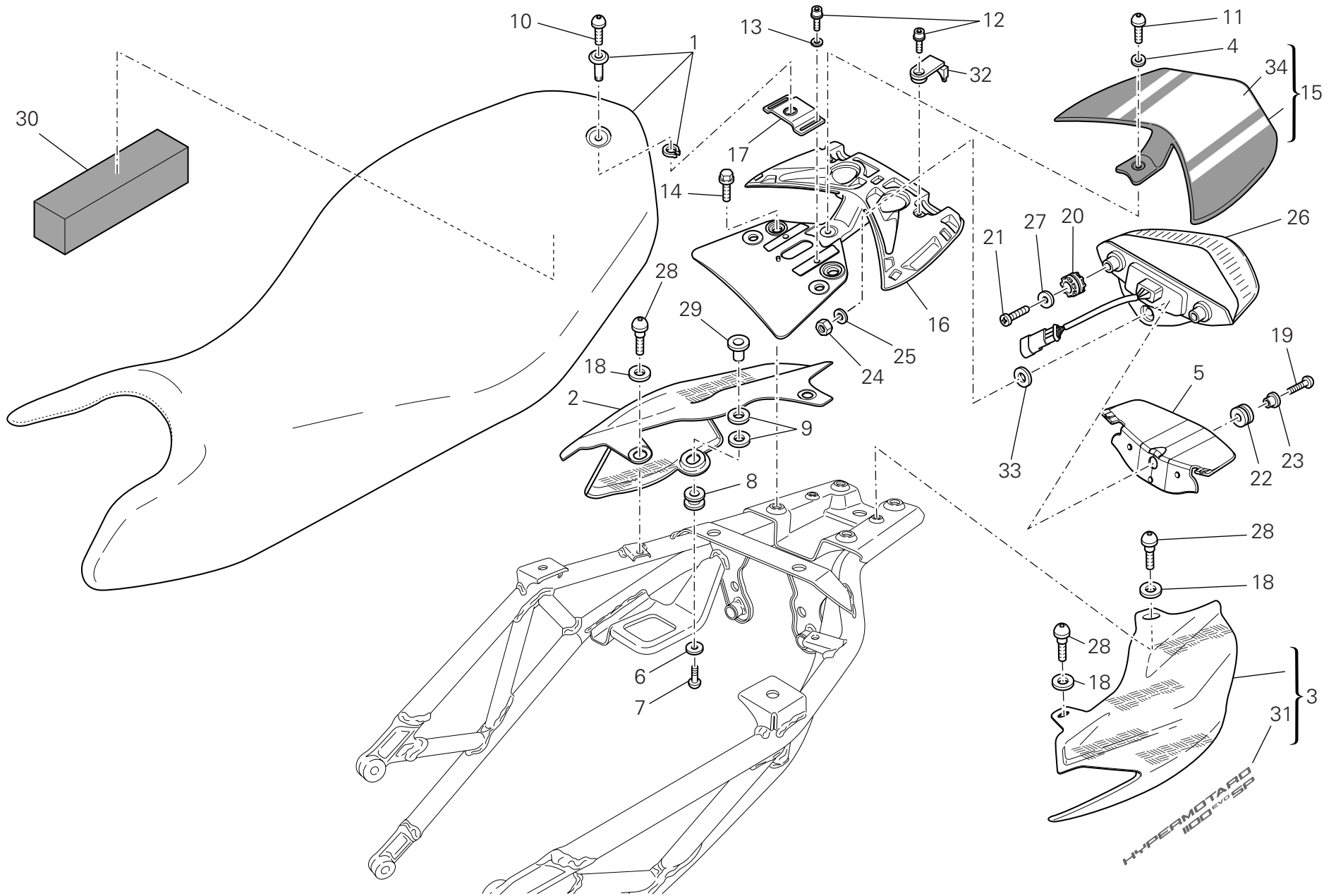
Fuel system

NOTES NO.	CODE NO.	DESCRIPTION	VALIDITY	Q.TY 
1	160.2.370.1A	Flange		1
2	460.1.272.1A	Protection		1
3	779.1.569.1A	Special screw		6
4	749.4.110.8B	Nut		3
5	772.5.074.8B	Screw		3
6	814.4.010.1A	Quick-coupling union		2
7	552.4.200.1A	Thermistor		1
8	425.4.015.1A	Fuel filter		1
9	287.4.049.1A	Clamp		1
10	741.4.092.1A	collar		1
11	741.4.093.1A	collar		1
12	886.4.049.1A	O-ring		1

NOTES NO.	CODE NO.	DESCRIPTION	VALIDITY	Q.TY 
-----------	----------	-------------	----------	--


CATALOGUE No: 915.1.305.1B
ISSUED: 11 - 09

CATALOGUE No: 915.1.305.1B
ISSUED: 11 - 09




HYPERMOTARD 1100 EVO SP

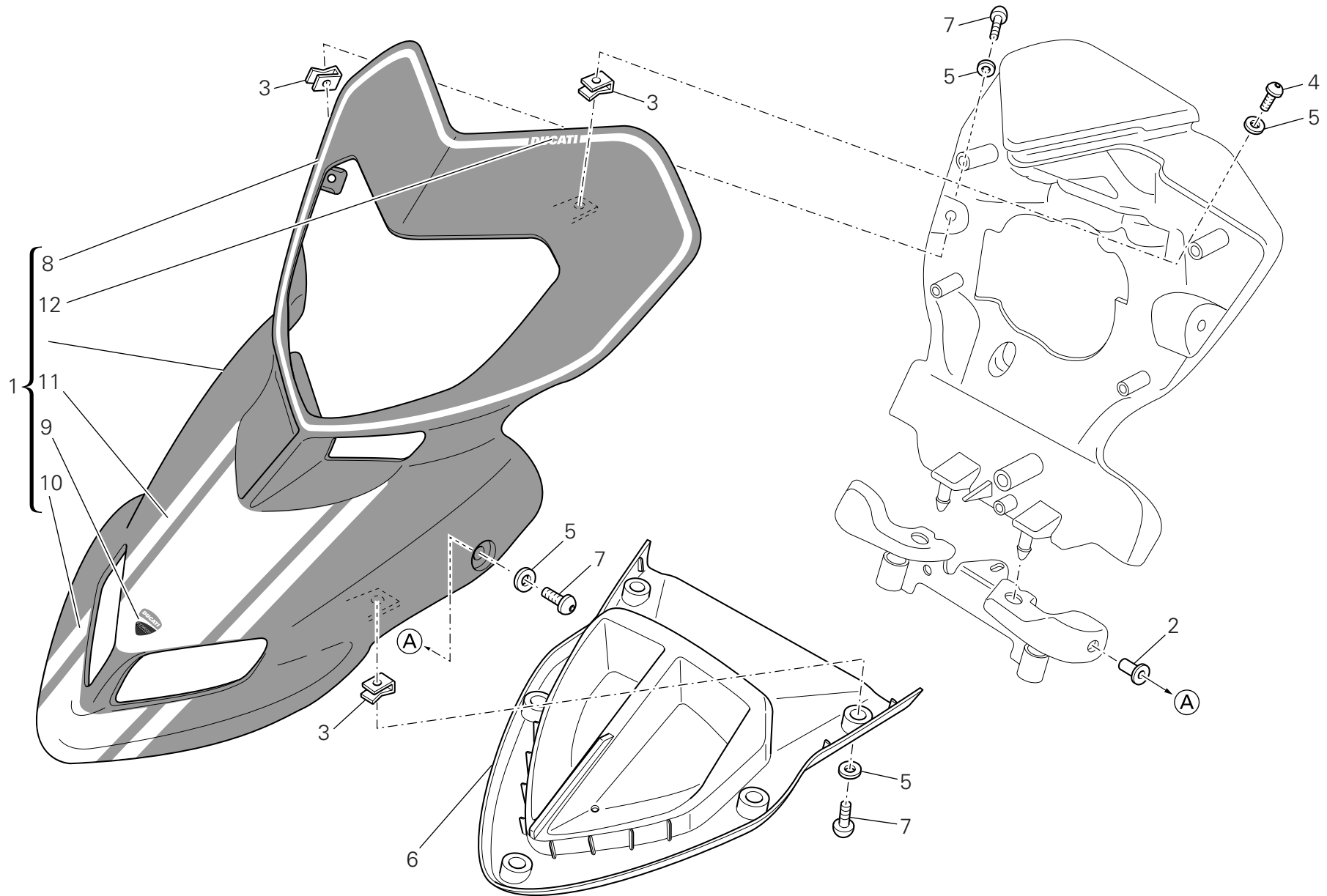
DRAWING 038 Seat - tail light

NOTES NO.	CODE NO.	DESCRIPTION	VALIDITY	Q.TY 
1	595.2.090.2A	Seat		1
2	482.1.152.1E	Body panel (R.H.)		1
3	482.1.153.1E	Body panel (L.H.)		1
4	852.1.024.1A	Nylon washer		1
5	460.1.337.1A	Taillight heat guard		1
6	852.1.167.1A	Washer		2
7	775.1.049.1A	Screw		2
8	764.1.069.1A	Rubber pad		2
9	852.1.148.1A	Washer		4
10	779.1.522.1A	Screw		1
11	775.5.022.1A	Screw		1
12	771.5.641.8B	Screw		4
13	852.5.030.1A	Washer		2
14	772.5.132.8B	Screw		4
15	483.1.060.2CA	Cover (RED)		1
15	483.1.060.2CW	Cover (WHITE)		1
16	806.1.022.2A	Handle		1
17	829.1.950.1A	Plate		1
18	856.1.073.1A	Nylon washer		4
19	775.5.026.1A	Screw		1
20	764.1.024.1A	Vibration damper pad		2
21	774.4.007.1A	Screw		2
22	764.1.114.1A	Rubber pad		1
23	716.1.410.1A	Spacer		1
24	749.5.002.1B	Nut		1
25	852.5.019.1A	Washer		1
26	525.1.036.2A	Tail lamp		1

CATALOGUE No: 915.1.305.1B
ISSUED: 11 - 09

NOTES NO.	CODE NO.	DESCRIPTION	VALIDITY	Q.TY 
27	852.4.173.1A	Washer		2
28	775.1.035.1C	Screw		4
29	716.1.112.1A	Spacer		2
30	866.1.101.1A	Pad		1
31	436.1.170.1B	Sticker "HYPERMOTARD 1100 EVO SP"		2
32	830.1.457.1A	Plate		2
33	852.4.013.1A	Washer		1
34	436.1.171.5AW	Sticker (for RED)		1
34	436.1.171.5AA	Sticker (for WHITE)		1

CATALOGUE No: 915.1.305.1B
ISSUED: 11 - 09



HYPERMOTARD 1100^{EVO} SP

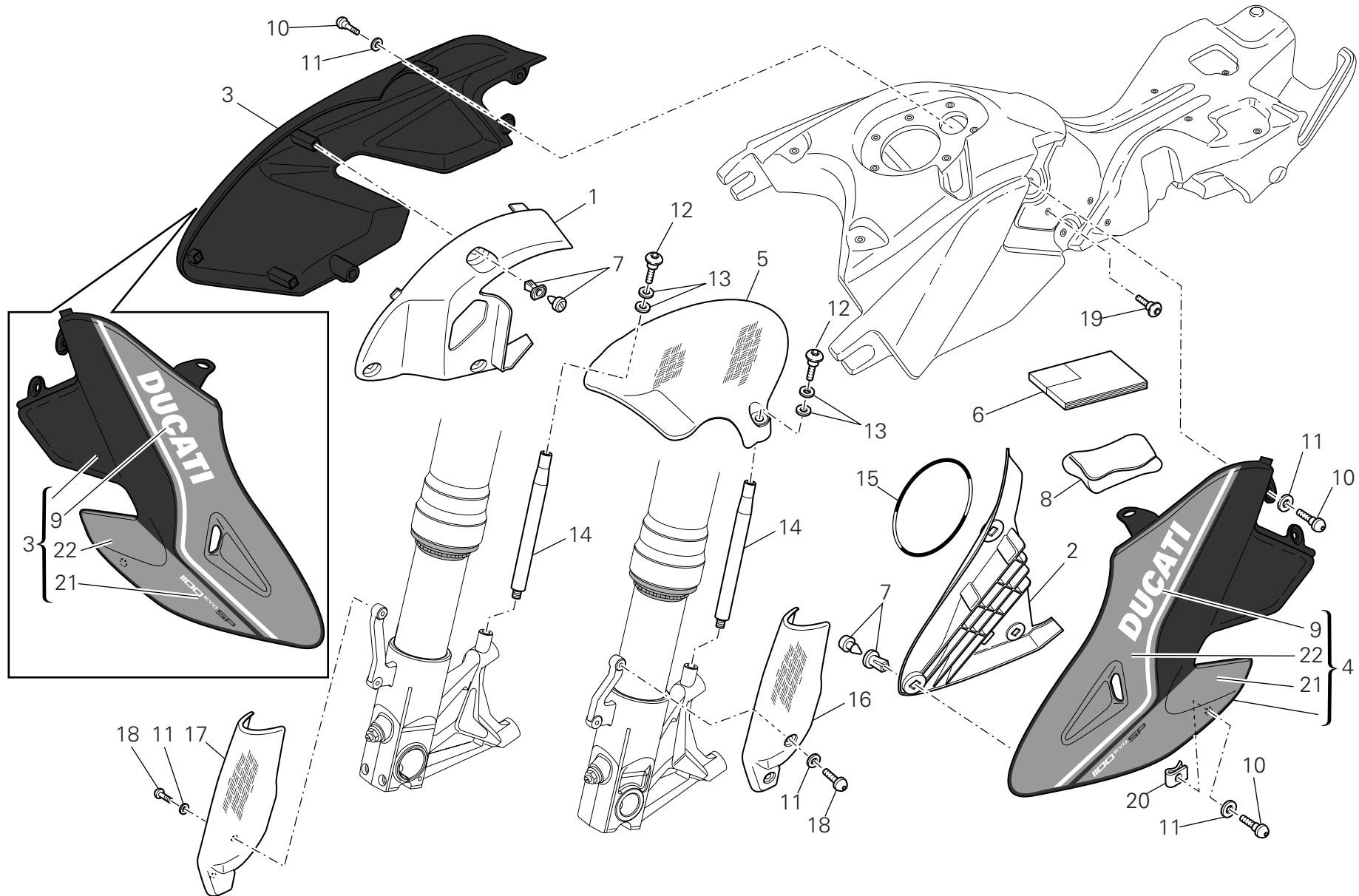
DRAWING **039** Headlight fairing

NOTES NO.	CODE NO.	DESCRIPTION	VALIDITY	Q.TY 
1	481.1.045.1AC	Headlight fairing (RED)		1
1	481.1.045.1BC	Headlight fairing (WHITE)		1
2	850.4.082.1A	Insert		2
3	850.4.103.1A	Quik fastening		9
4	779.1.525.1A	Screw		2
5	856.1.128.1A	Washer		11
6	564.1.071.1A	Mudguard		1
7	779.1.487.1A	Screw		10
8	438.1.570.1AW	Strip (for RED)		1
8	438.1.570.1AB	Strip (for WHITE)		1
9	438.1.453.1C	Sticker ((DUCATI CORSE)		1
10	436.1.171.3AW	Sticker (bottom) (for RED)		1
10	436.1.171.3AA	Sticker (bottom) (for WHITE)		1
11	436.1.171.4AW	Sticker (upper) (for RED)		1
11	436.1.171.4AA	Sticker (upper) (for WHITE)		1
12	436.1.141.1AW	Sticker "DUCATI" (for RED)		1
12	436.1.141.1AB	Sticker "DUCATI" (for WHITE)		1

NOTES NO.	CODE NO.	DESCRIPTION	VALIDITY	Q.TY 
-----------	----------	-------------	----------	--

CATALOGUE No: 915.1.305.1B
ISSUED: 11 - 09

CATALOGUE No: 915.1.305.1B
ISSUED: 11 - 09



HYPERMOTARD 1100^{EVO} SP

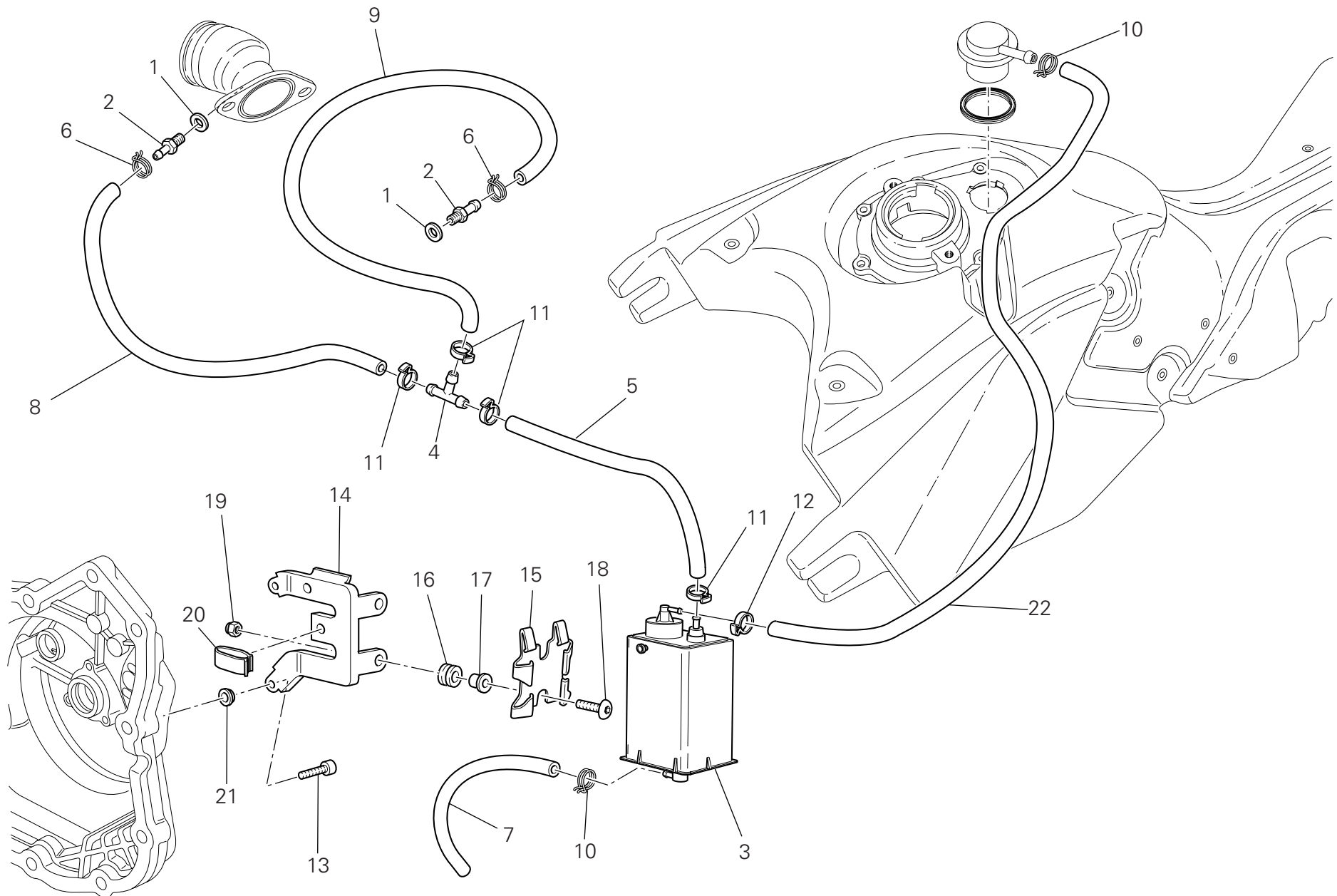
DRAWING 039a Fairing

NOTES NO.	CODE NO.	DESCRIPTION	VALIDITY	Q.TY 
1	480.1.252.1A	Panel (R.H.)		1
2	480.1.253.1A	Panel (L.H.)		1
3	480.1.250.1AC	Fairing (R.H.) (RED)		1
3	480.1.250.1BC	Fairing (R.H.) (WHITE)		1
4	480.1.251.1AC	Fairing (L.H.) (RED)		1
4	480.1.251.1BC	Fairing (L.H.) (WHITE)		1
5	564.1.072.1E	Mudguard (front) (CARBON)		1
6	913.7.127.1M	Owner's manual		1
7	850.4.110.1A	Quik fastening		6
8	697.2.021.1B	Tool bag		1
9	436.1.148.1A	Sticker "DUCATI" (for RED)		2
9	436.1.148.1AB	Sticker "DUCATI" (for WHITE)		2
10	779.1.487.1A	Screw		6
11	856.1.128.1A	Washer		10
12	779.1.439.1B	Screw		2
13	856.1.127.1A	Washer		2
14	829.1.745.2A	Holder		2
15	759.1.021.1A	Rubber		2
16	460.1.281.1E	Protection (L.H.)		1
17	460.1.280.1E	Protection (R.H.)		1
18	775.1.035.1C	Screw		4
19	779.1.546.1A	Screw		2
20	850.4.103.1A	Quik fastening		2
21	438.1.328.2B	Sticker (bottom) (for RED)		2
21	438.1.328.2C	Sticker (bottom) (for WHITE)		2
22	436.1.171.6A	Sticker (upper) (for RED)		2
22	436.1.171.6B	Sticker (upper) (for WHITE)		2

CATALOGUE No: 915.1.305.1B
ISSUED: 11 - 09

NOTES NO.	CODE NO.	DESCRIPTION	VALIDITY	Q.TY 
-----------	----------	-------------	----------	--


CATALOGUE No: 915.1.305.1B
ISSUED: 11 - 09



HYPERMOTARD 1100^{EVO} SP

DRAWING 040

Evaporative emissions canister

NOTES NO.	CODE NO.	DESCRIPTION	VALIDITY	Q.TY 
1	0250.70.223	Aluminium gasket		2
2	814.1.111.3B	Union		2
3	426.1.007.1B	Canister filter		1
4	814.1.183.1A	Shunt valve		1
5	590.1.250.1B	Union/filter pipe		1
6	741.4.043.1A	Hose guide		2
7	590.1.141.1B	Tube		1
8	590.1.213.1B	Tube		1
9	590.1.112.1B	Fuel pipe		1
10	741.4.057.1A	Hose guide		1
11	741.4.058.1A	Clamp		4
12	741.4.063.1A	Hose guide		1
13	771.5.072.8B	Screw		2
14	830.1.292.2A	Bracket		1
15	827.1.157.1A	Plate		1
16	764.1.029.1A	Rubber pad		2
17	716.1.043.1B	Spacer		2
18	775.5.013.1A	Screw		2
19	748.1.036.1A	Nut		2
20	829.4.002.1A	Holder		1
21	713.1.365.1A	Spacer		2
22	590.1.312.1B	Tube		1

NOTES NO.	CODE NO.	DESCRIPTION	VALIDITY	Q.TY 
-----------	----------	-------------	----------	--

CATALOGUE No: 915.1.305.1B
ISSUED: 11 - 09

CATALOGUE No: 915.1.305.1B
ISSUED: 11 - 09

DO NOT ATTEMPT TO LOOK THROUGH THIS FAIRING. THIS IS NOT A WINDSHIELD, BUT AN AERODYNAMIC FAIRING ONLY; FAILURE TO OBSERVE THIS WARNING COULD RESULT IN A COLLISION OR UPSET AND CONSEQUENT SERIOUS BODILY INJURY. Cod. 433.1.165.1A

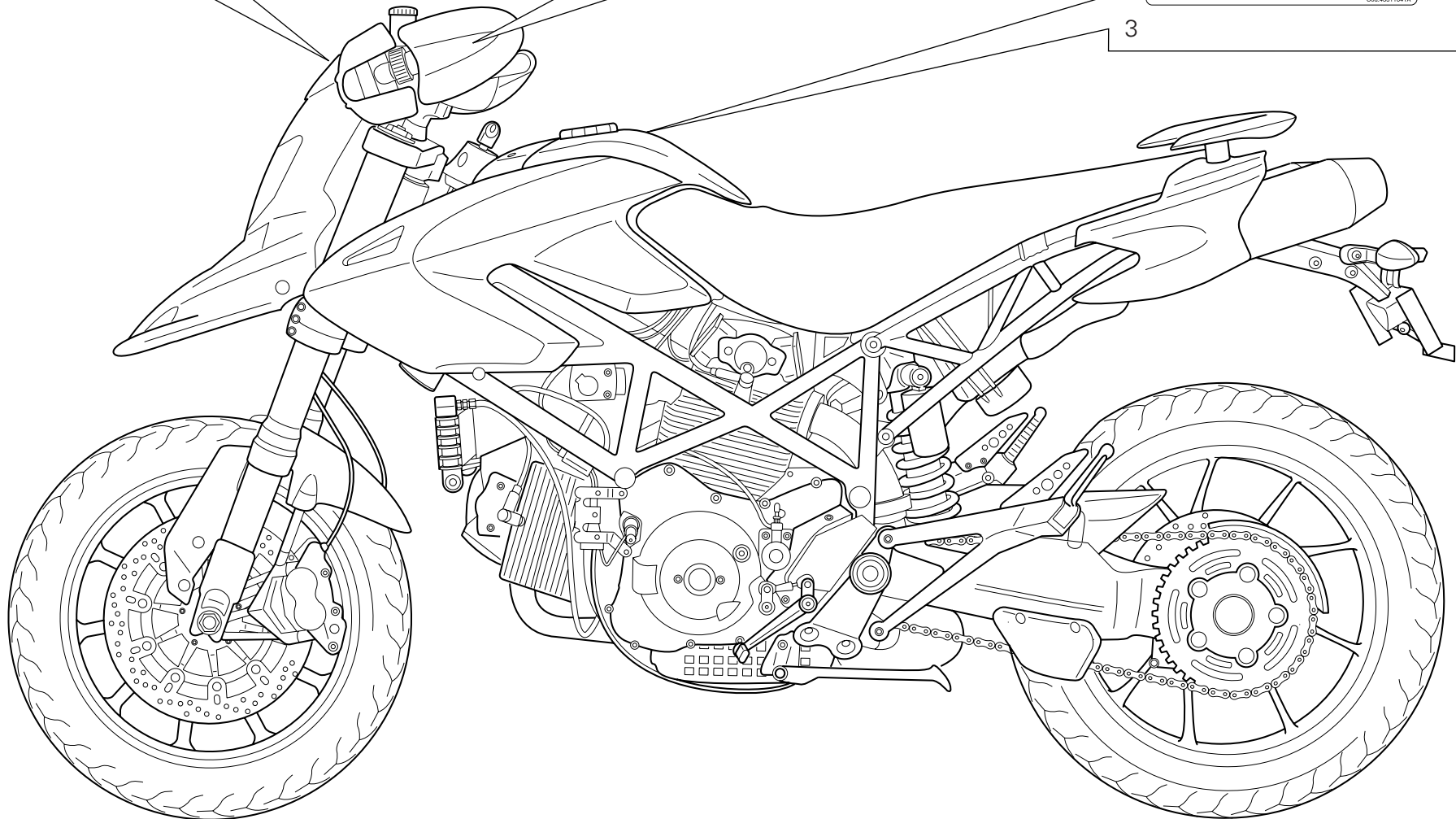
1

OBJECTS IN MIRROR ARE CLOSER THAN THEY APPEAR Cod.43311661A

2

CAUTION
NEVER FILL TANK SO FUEL LEVEL RISES INTO FILLER NECK. IF TANK IS OVERFILLED, HEAT MAY CAUSE FUEL TO EXPAND AND FLOW INTO EVAPORATIVE EMISSION CONTROL SYSTEM RESULTING IN HARD STARTING AND ENGINE HESITATION. Cod.43311641A


3



HYPERMOTARD 1100^{EVO} SP

DRAWING 041

Data plate positions

NOTES NO.	CODE NO.	DESCRIPTION	VALIDITY	Q.TY 
1	433.1.165.1A	Sticker		1
2	433.1.166.1A	Label		2
3	433.1.164.1A	Sticker		1

NOTES NO.	CODE NO.	DESCRIPTION	VALIDITY	Q.TY 
-----------	----------	-------------	----------	--

CATALOGUE No: 915.1.305.1B
ISSUED: 11 - 09

CATALOGUE No: 915.1.305.1B
ISSUED: 11 - 09

HYPERMOTARD 1100^{EVO} SP

Index

CODE No.	Drwg.	POS. N.	CODE No.	Drwg.	POS. N.	CODE No.	Drwg.	POS. N.	CODE No.	Drwg.	POS. N.	CODE No.	Drwg.	POS. N.
.....	014	1	0670.16.155	003	19	160.1.097.1A	012	13	190.2.020.1A	004	8	247.1.203.1A	011	22
.....	014	2	0670.16.170	003	26	160.1.105.1A	013	19	194.2.043.1A	004	12	247.1.262.1B	031	5
.....	015	1	0670.49.310	009	16	160.2.370.1A	037	1	195.4.003.1A	004	22	247.1.262.1B	031a	27
.....	015	2	0691.91.030	019	6	162.1.001.1C	004	7	196.1.001.1D	004	10	247.1.313.1A	031	20
0124.40.060	008	12	0759.49.280	009	15	170.Z.003.1A	004	17	198.1.029.1A	004	13	247.1.313.1A	031a	37
0170.91.730	017	38	0765.92.205	002	21	171.2.233.1A	008	10	208.1.012.4A	014	14	247.1.357.1AC	011	9
0250.70.223	016	12	0799.13.110	002	27	172.1.002.1B	003	10	208.1.012.4A	015	14	254.4.001.2A	005	4
0250.70.223	040	1	112.1.012.1AB	006	8	172.1.003.3A	003	8	209.1.047.1A	014	16	255.1.023.3A	008	15
0251.47.054	003	1	112.1.012.1AC	006	8	172.1.004.3A	003	5	209.1.047.1A	015	18	255.1.024.3A	013	3
0272.91.090	002	8	117.1.067.1A	029	8	172.1.005.3A	003	9	210.1.086.1A	014	22	264.4.053.2A	011	1
0370.49.250	010	22	117.2.006.1A	004	20	172.1.008.1A	003	22	210.1.086.1A	015	6	264.4.060.1A	011	25
0370.72.020	027	8	120.2.164.2A	007	8	172.1.009.1A	003	21	211.1.086.1A	014	21	270.4.012.4A	012	1
0370.72.020	028	12	120.2.165.2A	007	4	172.1.010.3A	003	20	211.1.086.1A	015	7	276.1.044.1A	012	16
0370.84.005	017	4	121.1.211.1A	007	3	172.1.011.3A	003	23	225.2.258.2B	010	1	280.4.023.1A	016	10
0400.09.050	002	21	121.2.045.1A	007	1	172.1.218.2A	003	18	235.2.030.1BC	013	12	282.4.085.1A	016	1
0400.29.125	002	31	122.2.165.2A	007	9	172.1.219.2A	003	24	240.2.039.2A	014	10	283.4.020.1A	016	23
0400.29.126	002	31	140.2.068.2A	016	11	173.1.022.1A	012	15	240.2.039.2A	015	12	284.4.008.1A	016	2
0647.70.010	014	12	146.2.169.1A	006	1	174.1.038.1A	009	12	240.2.041.1A	015	24	286.2.042.1A	019a	9
0647.70.010	015	20	147.1.026.1A	008	9	174.2.038.1A	009	1	242.2.081.1CC	011	19	286.4.185.1A	020	12
0660.13.070	002	13	148.1.360.1B	013	16	176.1.020.1A	012	10	243.1.025.1AG	005	1	287.4.024.1B	016	8
0660.13.143	002	9	148.1.361.1B	013	9	180.1.001.1A	002	11	243.2.115.1AC	005	6	287.4.049.1A	037	9
0660.13.165	002	25	149.1.061.1A	003	25	180.1.002.1A	002	12	245.1.081.1A	013	5	301.2.275.1AA	015	17
0660.16.145	004	21	150.2.063.2A	003	28	180.1.008.1A	002	24	245.1.082.1A	013	6	301.2.276.1AA	014	17
0660.47.040	006	13	150.2.105.1A	003	2	182.2.028.3A	002	18	245.1.103.1A	008	4	303.1.041.1CA	014	4
0665.49.680	005	8	150.2.153.1A	003	27	184.1.005.1A	029	10	245.1.104.1A	008	1	303.1.041.1CA	015	3
0670.16.145	003	7	158.2.012.2A	006	5	187.1.002.1A	027	20	246.1.060.2A	030	18	303.1.041.1CB	014	4
0670.16.150	003	3	160.1.021.1CB	025	5	187.1.002.1A	028	22	246.1.206.1A	034	3	303.1.041.1CB	015	3

CATALOGUE No: 915.1.305.1B
ISSUED: 11 - 09

CATALOGUE No: 915.1.305.1B
ISSUED: 11 - 09

HYPERMOTARD 1100 EVO SP

Index

CODE No.	Drwg.	POS. N.	CODE No.	Drwg.	POS. N.	CODE No.	Drwg.	POS. N.	CODE No.	Drwg.	POS. N.	CODE No.	Drwg.	POS. N.
303.1.041.1CC	014	4	360.1.116.1AB	026	2	433.1.164.1A	041	3	447.1.050.1A	032	18	464.1.051.1B	031a	23
303.1.041.1CC	015	3	360.1.117.1AB	026	1	433.1.165.1A	041	1	447.1.051.1A	032	17	465.1.064.1A	031a	32
303.1.066.1AA	014	5	365.2.097.1A	033	1	433.1.166.1A	041	2	449.1.053.1A	003	12	465.1.065.1A	031	1
303.1.066.1AA	015	19	369.1.011.1A	032	9	433.1.356.1A	032	20	451.2.020.1A	008	7	470.1.195.1DB	030	7
303.1.066.1AB	014	5	370.1.033.1D	032	1	435.1.150.1A	036	13	451.2.021.1A	008	6	470.1.701.2AA	030	1
303.1.066.1AB	015	19	372.2.016.1A	033	8	436.1.141.1AB	039	12	455.1.015.1B	029	37	480.1.250.1AC	039a	3
303.1.066.1AC	014	5	380.1.015.1A	020	5	436.1.141.1AW	039	12	455.2.003.1A	002	4	480.1.250.1BC	039a	3
303.1.066.1AC	015	19	389.4.019.1A	019	3	436.1.148.1A	039a	9	456.2.058.1AB	031a	12	480.1.251.1AC	039a	4
304.1.042.1B	014	19	389.4.020.1A	019	3	436.1.148.1AB	039a	9	457.2.049.1AB	029	24	480.1.251.1BC	039a	4
304.1.042.1B	015	5	389.4.021.1A	019	3	436.1.170.1B	038	31	460.1.153.1A	032	22	480.1.252.1A	039a	1
304.1.042.1BB	014	19	389.4.022.1A	019	3	436.1.171.3AA	039	10	460.1.270.2B	026	26	480.1.253.1A	039a	2
304.1.042.1BB	015	5	389.4.023.1A	019a	19	436.1.171.3AW	039	10	460.1.272.1A	037	2	480.1.254.2B	036	6
304.1.042.1BC	014	19	389.4.024.1A	019	3	436.1.171.4AA	039	11	460.1.275.1AB	017	30	481.1.045.1AC	039	1
304.1.042.1BC	015	5	390.4.016.1A	022	21	436.1.171.4AW	039	11	460.1.280.1E	039a	17	481.1.045.1BC	039	1
304.1.043.1B	014	3	390.4.021.1A	022	22	436.1.171.5AA	038	34	460.1.281.1E	039a	16	482.1.152.1E	038	2
304.1.043.1B	015	4	390.4.024.1A	021	6	436.1.171.5AW	038	34	460.1.293.1A	017	7	482.1.153.1E	038	3
304.1.043.1BB	014	3	390.4.025.1A	019	2	436.1.171.6A	039a	22	460.1.310.1A	026	36	483.1.060.2CA	038	15
304.1.043.1BB	015	4	390.4.026.1A	021	7	436.1.171.6B	039a	22	460.1.337.1A	038	5	483.1.060.2CW	038	15
304.1.043.1BC	014	3	390.4.027.1A	021	14	438.1.328.2B	039a	21	460.1.338.1A	016	6	486.1.076.1B	034	13
304.1.043.1BC	015	4	395.2.013.1C	019a	1	438.1.328.2C	039a	21	460.1.430.1A	031	23	492.4.076.1A	025	20
341.1.079.1AB	026	20	397.4.005.1A	019a	3	438.1.453.1C	039	9	460.1.430.1A	031a	39	492.4.092.1A	024	5
342.2.058.1AB	026	9	406.1.077.2B	021	1	438.1.570.1AB	039	8	462.4.046.1A	017	16	494.1.135.1A	025	19
344.2.033.1A	023	1	417.9.090.1B	033	18	438.1.570.1AW	039	8	463.2.010.9A	015	25	497.2.001.2A	024	3
345.2.033.1A	023	2	420.2.006.4A	035	1	442.1.129.1C	034	2	463.2.022.2A	010	34	497.2.003.1A	024	16
349.2.049.1A	023	4	425.4.015.1A	037	8	444.4.003.5A	009	20	463.2.053.7A	003	14	501.2.115.1AB	024	10
349.2.057.1A	023	5	426.1.007.1B	040	3	447.1.048.1A	032	14	463.2.053.7A	004	15	502.2.129.1AB	024	7
360.1.115.1A	026	6	426.1.025.1A	034	5	447.1.049.1A	032	16	464.1.050.1B	031	9	510.1.692.1B	019	1

CATALOGUE No: 915.1.305.1B
ISSUED: 11 - 09

CATALOGUE No: 915.1.305.1B
ISSUED: 11 - 09

HYPERMOTARD 1100^{EVO} SP

Index

CODE No.	Drwg.	POS. N.	CODE No.	Drwg.	POS. N.	CODE No.	Drwg.	POS. N.	CODE No.	Drwg.	POS. N.	CODE No.	Drwg.	POS. N.
513.1.020.2A	019a	20	540.4.011.1C	020	14	570.1.265.1B	017	11	598.4.018.3A	036	12	631.4.016.1A	029	18
514.1.032.1A	001c	9	541.4.010.1A	019	10	571.1.258.2B	017	2	598.4.024.1A	036	2	631.4.028.1A	027	22
514.1.033.1A	001c	13	544.1.012.1A	020	18	572.2.157.1B	017	10	610.4.090.1A	028	9	631.4.028.1A	028	30
514.1.035.1A	001c	10	548.4.093.1A	035	3	573.1.105.2A	017	19	610.4.091.1A	028	26	632.1.043.1A	027	18
514.1.036.1A	001c	10	552.1.037.1A	001c	4	574.1.105.2A	017	13	611.4.031.1A	029	14	650.1.009.1H	026	15
514.1.037.1A	001c	6	552.1.038.1A	001c	5	576.1.060.1B	017	18	612.4.005.1A	027	4	651.1.011.1A	026	14
514.1.038.1A	001c	14	552.1.039.1A	001c	19	576.1.067.1A	017	12	612.4.005.1A	028	21	652.4.015.1A	030	24
514.1.053.2A	019a	4	552.1.040.1A	001c	11	585.4.001.1A	029	4	612.4.008.1A	029	19	654.2.003.2A	026	22
514.1.056.2A	019a	5	552.1.043.4A	029	21	585.4.008.1A	027	12	612.4.016.1A	029	17	656.1.089.2A	026	30
516.4.005.2A	020	10	552.1.219.1A	017	20	585.4.009.1A	028	15	612.4.037.1A	028	28	668.1.040.1A	036	8
518.4.004.2B	030	15	552.4.012.1A	016	7	586.3.170.2B	036	1	613.4.038.1A	029	16	669.1.001.1E	014	18
520.1.016.3A	021	12	552.4.132.1B	010	4	590.1.112.1B	040	9	613.4.079.1A	028	8	669.1.001.1E	015	15
523.1.030.1A	026	28	552.4.144.1A	016	21	590.1.141.1B	040	7	618.4.097.1A	028	19	670.4.035.1A	020	2
525.1.030.2A	022	17	552.4.145.2A	007	13	590.1.189.1A	001c	1	619.4.039.1A	029	13	671.1.028.2B	020	3
525.1.036.2A	038	26	552.4.200.1A	037	7	590.1.190.1A	001c	2	624.4.051.1A	028	1	671.1.031.2B	020	8
529.1.001.2A	023	6	556.1.018.1D	018	9	590.1.213.1B	040	8	625.4.020.1A	029	1	676.2.064.1B	025	25
529.1.010.1A	022	20	556.1.050.1A	018	3	590.1.250.1B	040	5	626.4.013.1A	029	33	676.4.077.1A	025	26
530.1.014.1A	026	24	556.2.037.1C	018	1	590.1.301.1B	016	18	626.4.055.1A	027	2	680.1.001.1B	009	17
530.1.015.1A	026	23	561.1.024.1A	022	18	590.1.302.1B	016	13	626.4.056.1A	027	5	680.1.013.1A	006	10
530.1.016.4A	022	4	561.1.041.1A	022	6	590.1.312.1B	040	22	626.4.056.1A	028	7	680.1.013.1A	008	5
530.1.017.4A	022	3	561.1.042.1A	022	7	590.1.341.1A	016	22	626.4.057.1A	027	21	680.1.013.1A	013	8
539.1.021.1B	002	6	564.1.045.1A	025	22	593.1.018.1A	009	5	626.4.057.1A	028	29	697.2.021.1B	039a	8
539.1.023.4B	018	5	564.1.071.1A	039	6	593.2.048.1A	010	33	626.4.058.1A	028	2	698.1.033.1A	001c	15
539.4.003.1B	029	32	564.1.072.1E	039a	5	593.4.030.1A	017	9	630.4.041.1A	027	1	700.1.011.1B	035	6
539.4.030.2A	005	16	564.1.075.3A	017	34	593.4.035.1A	036	3	631.4.008.1A	027	3	700.1.036.1A	012	2
539.4.048.1A	028	5	565.1.052.1A	032	24	595.2.090.2A	038	1	631.4.008.1A	028	6	700.1.038.1C	021	2
539.4.051.1A	027	6	570.1.258.1B	017	1	598.2.059.1B	036	11	631.4.008.1A	029	12	700.1.049.1A	031	13

CATALOGUE No: 915.1.305.1B
ISSUED: 11 - 09

CATALOGUE No: 915.1.305.1B
ISSUED: 11 - 09

HYPERMOTARD 1100^{EVO} SP

Index

CODE No.	Drwg.	POS. N.	CODE No.	Drwg.	POS. N.	CODE No.	Drwg.	POS. N.	CODE No.	Drwg.	POS. N.	CODE No.	Drwg.	POS. N.
700.1.049.1A	031a	2	710.1.109.1A	032	5	713.1.197.3A	024	2	73500.1542	002	15	74224.0570	006	7
700.1.054.1A	026	19	710.1.127.1A	004	23	713.1.238.1A	033	13	73503.3380	010	18	747.1.006.1A	033	20
700.1.064.1A	007	12	711.1.007.1A	006	6	713.1.241.1A	020	1	73503.3380	011	2	747.5.003.1A	029	36
700.9.055.1A	025	9	711.1.067.1A	025	7	713.1.266.1A	003	15	737.4.021.1A	008	19	747.5.005.1B	029	9
701.4.005.1A	003	4	711.1.095.1A	010	32	713.1.365.1A	011	26	741.1.010.1A	020	9	747.5.007.1A	026	8
701.4.006.1A	033	10	711.1.126.1A	007	11	713.1.365.1A	040	21	741.1.012.1A	019	7	748.1.014.1C	024	1
701.4.017.1A	032	6	711.1.128.1A	010	39	713.1.393.1A	003	32	741.1.040.1A	019a	21	748.1.036.1A	017	21
701.4.023.1A	012	7	711.1.130.1A	026	31	713.1.393.3A	004	18	741.1.042.1A	017	26	748.1.036.1A	025	23
702.4.004.1A	026	18	711.1.160.1A	005	13	713.1.915.1A	002	29	741.1.043.1A	017	27	748.1.036.1A	040	19
702.4.013.1A	010	12	711.1.160.1A	011	18	713.1.925.1A	026	27	741.4.001.1A	016	24	748.1.039.1A	016	15
702.4.018.1A	012	14	711.1.181.1A	020	6	714.1.027.1A	024	15	741.4.038.1A	019	8	748.1.040.1A	002	23
702.4.033.1A	010	9	711.1.250.1A	021	13	714.1.041.1A	025	12	741.4.038.1A	029	35	748.1.044.1A	030	8
702.4.092.1A	010	29	711.1.253.1A	022	14	714.1.047.1A	024	9	741.4.043.1A	027	14	748.1.050.1A	010	8
702.4.093.1A	010	25	711.1.253.1A	031	21	715.1.005.1A	033	11	741.4.043.1A	028	16	748.4.002.1A	030	3
702.5.008.1A	010	20	711.1.253.1A	031a	35	716.1.022.1B	020	11	741.4.043.1A	029	2	748.4.024.1AB	025	4
702.5.008.1A	011	3	711.1.301.1B	007	7	716.1.022.1B	021	10	741.4.043.1A	040	6	748.4.024.1AB	026	7
702.5.019.1A	010	42	712.1.018.1A	025	8	716.1.022.1B	034	10	741.4.057.1A	040	10	748.4.033.1A	017	3
702.5.044.1A	003	30	712.1.029.1A	032	7	716.1.043.1B	040	17	741.4.058.1A	040	11	748.4.037.1AB	033	14
702.5.045.1A	024	8	712.1.031.1A	032	8	716.1.073.2A	008	13	741.4.063.1A	040	12	748.4.038.1A	021	3
702.5.045.1A	032	2	712.1.034.1A	029	23	716.1.099.1A	008	17	741.4.067.1A	016	17	749.1.002.1A	030	16
702.5.053.1A	004	14	712.1.034.1A	031a	8	716.1.112.1A	017	36	741.4.092.1A	037	10	749.1.002.1A	031	25
703.1.044.1A	026	11	713.1.014.1E	003	11	716.1.112.1A	038	29	741.4.093.1A	037	11	749.1.002.1A	031a	41
703.5.006.2A	008	18	713.1.099.1A	017	47	716.1.410.1A	038	23	741.4.163.1A	017	43	749.4.004.1A	031a	17
703.5.006.2A	013	1	713.1.140.1A	010	14	716.1.414.1A	017	22	741.4.167.1A	019a	13	749.4.110.8B	037	4
70610.8120	004	11	713.1.187.1A	032	3	72094.1616	010	10	741.4.168.1A	017	44	749.4.145.8C	018	10
710.1.025.1A	033	4	713.1.192.1A	029	34	732.1.022.1B	017	24	741.4.180.1A	016	3	749.5.001.1B	022	11
710.1.107.1A	026	13	713.1.196.1A	024	17	73500.1440	012	11	741.4.181.1A	034	7	749.5.002.1B	038	24

CATALOGUE No: 915.1.305.1B
ISSUED: 11 - 09

CATALOGUE No: 915.1.305.1B
ISSUED: 11 - 09

HYPERMOTARD 1100^{EVO} SP

Index

CODE No.	Drwg.	POS. N.	CODE No.	Drwg.	POS. N.	CODE No.	Drwg.	POS. N.	CODE No.	Drwg.	POS. N.	CODE No.	Drwg.	POS. N.
750.1.007.1A	003	29	764.1.069.1A	017	35	771.1.049.1A	013	21	771.5.079.8B	005	14	772.1.005.1B	025	10
750.1.012.2A	006	3	764.1.069.1A	021	5	771.1.051.8B	012	6	771.5.080.8B	010	27	772.1.010.3A	008	8
750.1.018.1C	025	2	764.1.069.1A	038	8	771.1.052.1A	008	2	771.5.125.0Z	002	30	772.1.042.3C	032	25
750.1.019.1B	024	13	764.1.075.1A	020	13	771.1.052.1A	012	3	771.5.129.8B	009	8	772.1.050.1C	029	26
750.1.045.1A	004	5	764.1.075.1A	021	8	771.1.231.1A	025	14	771.5.136.8B	010	24	772.1.060.1A	032	21
750.1.116.1A	032	10	764.1.084.1A	022	15	771.4.067.7C	011	13	771.5.139.8B	010	30	772.1.063.1A	029	20
750.1.117.1A	033	16	764.1.087.1A	014	6	771.4.069.7C	011	6	771.5.154.8B	018	2	772.1.090.1A	017	8
750.5.005.1A	012	19	764.1.087.1A	015	21	771.4.071.7C	011	17	771.5.447.8B	026	4	772.1.093.1A	017	14
750.5.005.1A	019a	6	764.1.090.1A	034	9	771.5.039.3B	026	12	771.5.641.8B	038	12	772.1.093.1A	020	17
756.2.006.2A	025	13	764.1.109.1A	017	46	771.5.040.8B	011	21	771.5.665.8B	011	23	772.1.102.1A	030	21
75794.1542	010	17	764.1.110.1A	030	22	771.5.042.8B	020	4	771.5.665.8B	022	2	772.4.039.1C	019a	8
758.1.021.1A	011	24	764.1.114.1A	038	22	771.5.043.8B	004	4	771.5.667.8B	031a	10	772.4.043.8C	021	11
758.4.016.1A	019	4	76402.0002	003	17	771.5.049.8B	020	7	771.5.668.8B	029	28	772.5.045.1A	022	9
759.1.008.1A	025	1	766.1.077.1B	010	6	771.5.065.8B	004	25	771.5.668.8B	031a	21	772.5.071.8B	031	6
759.1.009.1A	024	12	766.4.017.2A	013	17	771.5.065.8B	010	26	771.5.669.8B	020	16	772.5.071.8B	031a	26
759.1.021.1A	039a	15	766.4.018.1A	013	18	771.5.066.8B	013	10	771.5.671.8B	017	25	772.5.071.8B	034	4
759.1.024.1A	019a	16	76835.1134	002	10	771.5.066.8B	014	11	771.5.672.8B	017	49	772.5.074.8B	037	5
764.1.003.1B	004	6	770.5.250.8B	010	15	771.5.066.8B	015	13	771.5.673.8B	026	29	772.5.097.8B	017	45
764.1.011.2A	029	25	771.1.016.1A	033	15	771.5.067.0Z	002	28	771.5.673.8B	030	12	772.5.097.8B	028	24
764.1.011.2A	031a	13	771.1.019.1A	031a	22	771.5.069.8B	005	5	771.5.675.8B	020	15	772.5.099.8B	029	22
764.1.024.1A	038	20	771.1.026.1A	005	2	771.5.069.8B	009	10	771.5.723.8B	029	15	772.5.101.8B	022	5
764.1.029.1A	040	16	771.1.027.1A	005	3	771.5.071.8B	011	16	771.5.725.8B	026	5	772.5.101.8B	034	11
764.1.042.1A	017	15	771.1.031.1A	033	12	771.5.072.8B	010	31	771.5.725.8C	030	10	772.5.132.8B	038	14
764.1.064.1B	017	23	771.1.035.1A	031	8	771.5.072.8B	023	3	771.5.727.8B	026	21	773.5.006.8B	016	9
764.1.066.1A	031	12	771.1.035.1A	031a	24	771.5.072.8B	040	13	771.5.937.8B	033	7	773.5.041.3B	026	32
764.1.066.1A	031a	3	771.1.049.1A	008	3	771.5.078.8B	005	20	771.5.938.8B	033	5	773.5.063.8B	035	7
764.1.068.1A	017	33	771.1.049.1A	012	5	771.5.078.8B	012	12	772.1.004.2B	032	12	773.5.067.8B	031	24

CATALOGUE No: 915.1.305.1B
ISSUED: 11 - 09

CATALOGUE No: 915.1.305.1B
ISSUED: 11 - 09

HYPERMOTARD 1100 EVO SP

Index

CODE No.	Drwg.	POS. N.	CODE No.	Drwg.	POS. N.	CODE No.	Drwg.	POS. N.	CODE No.	Drwg.	POS. N.	CODE No.	Drwg.	POS. N.
773.5.067.8B	031a	40	775.5.022.1A	038	11	779.1.366.1AB	029	7	779.5.059.1A	028	10	799.1.482.1A	002	20
774.4.004.1A	021	4	775.5.024.1A	017	48	779.1.397.1A	027	19	779.5.062.1A	010	5	799.2.077.2A	009	14
774.4.005.1A	022	16	775.5.025.1A	019a	24	779.1.399.1A	024	4	780.1.007.1A	017	6	799.2.088.1B	018	7
774.4.007.1A	034	15	775.5.026.1A	038	19	779.1.404.1A	006	9	780.1.018.1A	009	6	8000.53724	019	9
774.4.007.1A	038	21	777.5.033.8B	036	5	779.1.415.1A	028	3	780.5.001.1A	005	19	8000.56443	027	13
774.4.009.1A	020	19	777.5.049.8C	011	10	779.1.418.1A	031	18	786.1.098.1A	007	10	8000.56443	028	18
774.5.011.1A	026	39	778.5.016.1A	009	26	779.1.418.1A	031a	14	786.1.114.1A	007	6	8000.68490	028	14
774.5.012.1A	026	37	778.5.016.1A	010	21	779.1.439.1B	039a	12	787.1.011.1A	010	19	8000.70139	001a	8
775.1.004.1A	036	10	779.1.026.2A	011	4	779.1.484.2B	030	2	788.1.052.2A	005	7	801.1.027.1A	016	4
775.1.008.1B	032	15	779.1.039.1A	002	3	779.1.487.1A	039	7	788.1.054.2A	012	4	801.1.031.1A	016	16
775.1.031.1B	010	36	779.1.092.1A	027	7	779.1.487.1A	039a	10	788.1.104.1A	016	20	806.1.022.2A	038	16
775.1.031.1B	031a	19	779.1.092.1A	028	13	779.1.511.1A	028	25	790.1.017.1A	017	28	808.1.114.1A	026	33
775.1.033.1B	025	24	779.1.099.1B	026	17	779.1.522.1A	038	10	791.2.051.1A	007	5	814.1.111.3B	040	2
775.1.035.1C	038	28	779.1.109.2A	006	2	779.1.523.1A	022	13	799.1.049.1A	002	1	814.1.114.1A	001c	8
775.1.035.1C	039a	18	779.1.133.1A	014	8	779.1.525.1A	039	4	799.1.051.2A	006	14	814.1.183.1A	040	4
775.1.036.1A	013	14	779.1.133.1A	015	23	779.1.543.1A	030	9	799.1.055.1A	009	7	814.1.323.1A	016	19
775.1.036.1A	019a	15	779.1.162.2A	009	24	779.1.546.1A	039a	19	799.1.089.1B	018	6	814.1.331.1A	034	12
775.1.049.1A	017	37	779.1.198.2A	009	23	779.1.547.1A	006	4	799.1.166.1B	031	14	814.4.010.1A	037	6
775.1.049.1A	038	7	779.1.203.3A	002	7	779.1.569.1A	037	3	799.1.166.1B	031a	9	815.1.022.1A	010	35
775.5.013.1A	040	18	779.1.206.1AB	031a	15	779.1.587.1A	030	5	799.1.174.1A	029	30	815.1.022.1A	035	4
775.5.014.1A	022	10	779.1.221.1B	030	19	779.1.603.1A	017	17	799.1.212.1A	014	13	815.1.028.1A	009	21
775.5.016.1A	017	31	779.1.237.1B	029	27	779.1.615.1A	030	25	799.1.212.1A	015	16	818.2.009.1A	004	3
775.5.017.1A	019a	14	779.1.290.1A	036	7	779.1.631.1A	011	12	799.1.252.1B	031	17	819.1.043.1A	024	11
775.5.020.1A	019a	12	779.1.305.1A	031	10	779.4.005.3A	018	4	799.1.252.1B	031a	31	819.2.064.1A	025	11
775.5.021.1A	010	38	779.1.305.1A	031a	5	779.4.075.1A	011	14	799.1.253.1A	004	1	821.1.001.1A	002	26
775.5.021.1A	013	15	779.1.366.1AB	027	16	779.5.030.2A	013	4	799.1.260.1A	014	7	821.1.068.1B	031	4
775.5.022.1A	019	5	779.1.366.1AB	028	23	779.5.059.1A	027	10	799.1.260.1A	015	9	821.1.068.1B	031a	28

CATALOGUE No: 915.1.305.1B
ISSUED: 11 - 09

CATALOGUE No: 915.1.305.1B
ISSUED: 11 - 09

HYPERMOTARD 1100^{EVO} SP

Index

CODE No.	Drwg.	POS. N.	CODE No.	Drwg.	POS. N.	CODE No.	Drwg.	POS. N.	CODE No.	Drwg.	POS. N.	CODE No.	Drwg.	POS. N.
821.1.075.2A	034	8	829.1.708.1A	027	9	840.1.008.1A	14/15	19	840.1.041.1B	14/15	17	850.4.038.1A	017	40
821.1.170.1A	031a	11	829.1.709.1A	028	11	840.1.009.1A	14/15	19	840.1.042.1B	14/15	17	850.4.052.1A	022	19
821.1.309.3A	012	8	829.1.745.2A	039a	14	840.1.010.1A	14/15	19	840.1.043.1B	14/15	17	850.4.067.1A	030	17
821.1.317.1A	014	15	829.1.746.2A	021	9	840.1.012.1A	14/15	19	840.1.044.1B	14/15	17	850.4.082.1A	039	2
821.1.317.1A	015	10	829.1.750.1A	019a	17	840.1.014.1A	14/15	19	840.1.045.1B	14/15	17	850.4.103.1A	039	3
821.1.325.1A	002	17	829.1.822.1A	019a	23	840.1.015.1A	14/15	19	840.1.046.1B	14/15	17	850.4.103.1A	039a	20
824.1.163.1AB	031a	25	829.1.950.1A	038	17	840.1.015.1A	14/15	19	840.1.047.1B	14/15	17	850.4.110.1A	039a	7
824.1.164.1AB	031	7	829.1.986.1A	016	5	840.1.016.1A	14/15	19	840.1.048.1B	14/15	17	851.1.001.1B	004	9
824.1.165.1AB	031a	4	829.4.002.1A	040	20	840.1.017.1A	14/15	19	840.1.049.1B	14/15	17	851.1.004.1A	003	13
824.1.166.1AB	031	11	830.1.282.1B	025	21	840.1.018.1A	14/15	19	840.1.050.1B	14/15	17	851.1.013.1A	008	11
825.1.035.2A	025	17	830.1.292.2A	040	14	840.1.019.1A	14/15	19	840.1.051.1B	14/15	17	851.1.019.1A	006	12
826.1.012.1A	010	11	830.1.443.1A	028	27	840.1.019.1A	14/15	19	840.1.052.1B	14/15	17	852.1.005.1A	002	14
826.1.029.1A	002	33	830.1.444.1B	026	35	840.1.020.1A	14/15	19	840.1.053.1B	14/15	17	852.1.024.1A	038	4
827.1.115.1B	031	3	830.1.445.1B	026	34	840.1.021.1A	14/15	19	840.1.054.1B	14/15	17	852.1.049.1B	026	3
827.1.115.1B	031a	30	830.1.446.1A	030	14	840.1.022.1A	14/15	19	840.1.055.1B	14/15	17	852.1.053.2A	002	2
827.1.139.2B	018	8	830.1.457.1A	038	32	840.1.023.1A	14/15	19	840.1.056.1B	14/15	17	852.1.053.2A	031a	7
827.1.157.1A	040	15	830.1.461.1A	017	39	840.1.024.1A	14/15	19	840.1.057.1B	14/15	17	852.1.055.1A	025	3
827.1.279.1B	031a	18	830.1.531.1A	017	32	840.1.025.1A	14/15	19	840.1.058.1B	14/15	17	852.1.057.1A	024	14
827.1.311.1A	032	23	830.1.558.1A	011	20	840.1.026.1A	14/15	19	840.1.059.1B	14/15	17	852.1.058.2A	025	6
827.1.445.1C	022	1	832.1.003.1C	032	11	840.1.027.1A	14/15	19	841.1.001.1C	035	8	852.1.059.1A	025	15
827.1.454.1A	031	16	840.1.001.1A	14/15	19	840.1.028.1A	14/15	19	841.1.054.1A	004	2	852.1.065.1B	031	19
827.1.454.1A	031a	36	840.1.002.1A	14/15	19	840.1.029.1A	14/15	19	847.4.002.1A	031	15	852.1.065.1B	031a	1
827.1.467.1A	019a	7	840.1.003.1A	14/15	19	840.1.030.1A	14/15	19	847.4.002.1A	031a	29	852.1.094.1A	002	19
827.1.491.1A	019a	11	840.1.004.1A	14/15	19	840.1.031.1A	14/15	19	848.4.026.1A	033	19	852.1.103.1A	026	16
827.1.492.1A	019a	2	840.1.005.1A	14/15	19	840.1.032.1A	14/15	19	848.4.027.1A	033	6	852.1.104.1A	006	11
829.1.141.1C	028	20	840.1.006.1A	14/15	19	840.1.033.1A	14/15	19	848.4.040.1A	031a	16	852.1.104.1B	006	11
829.1.190.1A	020	22	840.1.007.1A	14/15	19	840.1.034.1A	14/15	19	850.1.015.1A	029	11	852.1.104.1H	006	11

CATALOGUE No: 915.1.305.1B
ISSUED: 11 - 09

CATALOGUE No: 915.1.305.1B
ISSUED: 11 - 09

HYPERMOTARD 1100^{EVO} SP

Index

CODE No.	Drwg.	POS. N.	CODE No.	Drwg.	POS. N.	CODE No.	Drwg.	POS. N.	CODE No.	Drwg.	POS. N.	CODE No.	Drwg.	POS. N.
852.1.104.1K	006	11	852.1.179.1A	031a	38	853.1.003.1A	010	40	872.1.053.2A	019a	10	886.4.033.1A	010	23
852.1.104.1L	006	11	852.1.195.1A	005	17	853.5.009.1A	012	20	872.4.044.1A	032	19	886.4.037.1A	009	4
852.1.104.1M	006	11	852.1.195.1A	009	13	853.5.010.1A	019a	22	873.1.037.1A	009	2	886.4.043.1A	004	16
852.1.104.1N	006	11	852.1.197.1A	013	13	855.5.000.1B	019a	18	875.1.065.1A	001c	3	886.4.049.1A	037	12
852.1.104.2C	006	11	852.1.264.1A	031	26	856.1.001.1A	003	6	875.1.076.2A	033	2	886.4.060.2A	013	11
852.1.104.2D	006	11	852.1.264.1A	031a	34	856.1.031.1A	003	16	875.1.136.1A	035	2	886.4.116.1A	029	29
852.1.104.2E	006	11	852.4.013.1A	038	33	856.1.042.1A	032	26	875.1.140.2A	035	5	886.4.116.1A	031a	33
852.1.104.2F	006	11	852.4.016.1A	022	8	856.1.062.2A	008	16	875.1.146.1A	010	41	886.4.118.1A	004	24
852.1.104.2G	006	11	852.4.173.1A	034	14	856.1.064.2A	010	7	876.1.093.1A	034	6	886.4.130.1A	036	9
852.1.104.2I	006	11	852.4.173.1A	038	27	856.1.071.1A	012	9	877.1.110.1A	027	15	886.4.132.1A	005	12
852.1.104.2J	006	11	852.5.001.1C	022	12	856.1.073.1A	038	18	877.1.118.1A	028	17	886.4.132.1A	009	22
852.1.120.1A	009	3	852.5.005.1A	009	18	856.1.074.2A	013	20	877.1.120.1A	029	3	886.4.132.1A	010	28
852.1.135.1A	005	10	852.5.019.1A	038	25	856.1.075.1A	012	17	877.2.046.2A	034	1	886.4.138.1A	014	9
852.1.148.1A	038	9	852.5.023.1A	014	23	856.1.127.1A	039a	13	881.1.012.1A	002	32	886.4.138.1A	015	11
852.1.148.1B	017	41	852.5.023.1A	015	22	856.1.128.1A	039	5	881.1.034.1A	012	18	886.4.140.1A	014	20
852.1.152.1A	029	38	852.5.024.1A	002	5	856.1.128.1A	039a	11	881.1.063.1A	011	7	886.4.140.1A	015	8
852.1.153.1A	029	31	852.5.024.1A	005	15	860.5.017.1A	026	25	882.1.003.1A	008	14	886.4.148.1A	016	14
852.1.160.1B	017	29	852.5.024.1A	010	3	863.1.001.1D	025	27	884.4.011.1A	007	2	886.5.003.1A	025	16
852.1.163.1A	017	50	852.5.024.1A	017	5	866.1.047.1A	030	11	884.5.003.1A	031	2	886.5.013.1A	010	37
852.1.167.1A	017	42	852.5.024.1A	027	17	866.1.095.1A	020	21	884.5.003.1A	031a	6	88700.5644	001	10
852.1.167.1A	038	6	852.5.024.1A	028	4	866.1.097.1A	030	20	884.5.004.1A	025	18	88700.5665	001	16
852.1.167.1B	031	22	852.5.024.1A	029	6	866.1.100.1A	030	6	884.5.013.1A	005	11	88700.5749	001	20
852.1.167.1B	031a	20	852.5.026.1A	011	5	866.1.101.1A	038	30	884.5.034.1A	002	22	88713.0123	001	5
852.1.172.1A	009	11	852.5.029.1A	020	20	872.1.016.1A	032	13	884.5.039.1A	009	25	88713.0137	001	11
852.1.173.1A	013	2	852.5.030.1A	030	23	872.1.026.1A	030	4	884.5.044.1A	030	13	88713.1010	001a	12
852.1.174.1A	009	9	852.5.030.1A	038	13	872.1.041.1A	033	3	884.5.048.1A	002	16	88713.1038	001a	4
852.1.176.1A	011	15	852.5.040.1A	026	38	872.1.042.1A	033	17	886.1.095.1A	011	8	88713.1058	001a	7

CATALOGUE No: 915.1.305.1B
ISSUED: 11 - 09

CATALOGUE No: 915.1.305.1B
ISSUED: 11 - 09

HYPERMOTARD 1100^{EVO} SP

Index

CODE No.	Drwg.	POS. N.	CODE No.	Drwg.	POS. N.	CODE No.	Drwg.	POS. N.	CODE No.	Drwg.	POS. N.	CODE No.	Drwg.	POS. N.
88713.1062	001a	9	88765.1126C	001c	24	97900.0215	001b	1						
88713.1068	001a	2	88765.1126T	001c	16	97900.0216	001b	5						
88713.1071	001a	10	88765.1297	001	23	97900.0217	001b	15						
88713.1072	001a	1	88765.1322	001	18	97900.0218	001c	18						
88713.1073	001a	5	88765.1371	001b	3	97900.0219	001b	10						
88713.1344	001a	3	88765.1374	001b	4	97900.0220	001c	21						
88713.1515	001a	14	893.2.006.2A	010	2	97900.0221	001c	22						
88713.1749	001	24	893.4.005.1A	027	11	97900.0222	001b	9						
88713.2011	001	17	893.4.005.1A	029	5	97900.0223	001b	11						
88713.2036	001	19	894.2.009.1A	009	19	97900.0224	001b	6						
88713.2092	001	14	895.2.018.2A	036	4	97900.0225	001b	8						
88713.2103	001	3	913.7.127.1M	039a	6	97900.0226	001b	12						
88713.2133	001	22	930.1.004.1B	026	10	97900.0227S	001c	7						
88713.2282	001	12	930.4.002.2A	003	31	97900.0228	001c	12						
88713.2409	001a	6	930.4.021.1A	005	9	97900.0229	001b	13						
88713.2442	001	9	930.4.022.1A	010	13	97900.0230	001c	20						
88713.2669	001	7	930.4.034.1A	005	18	97900.0231	001c	17						
88713.2676	001	2	930.4.052.1A	024	6	97900.0232	001b	7						
88713.2783	001	8	930.4.061.1A	013	7	97900.0234	001b	14						
88713.2878	001	15	930.4.123.1A	010	16	98112.0002	001	4						
88713.2906	001	6	930.4.145.1A	033	9									
88713.3203	001a	11	930.5.012.1A	032	4									
88713.3204	001a	13	93783.1524	011	11									
88713.3218	001	1	93823.2018	004	19									
88713.3334	001	21	94247.0014	010	43									
88713.3396	001a	15	97900.0002	001b	2									
88765.1058	001	13	97900.0003	001c	23									

CATALOGUE No: 915.1.305.1B
ISSUED: 11 - 09

CATALOGUE No: 915.1.305.1B
ISSUED: 11 - 09