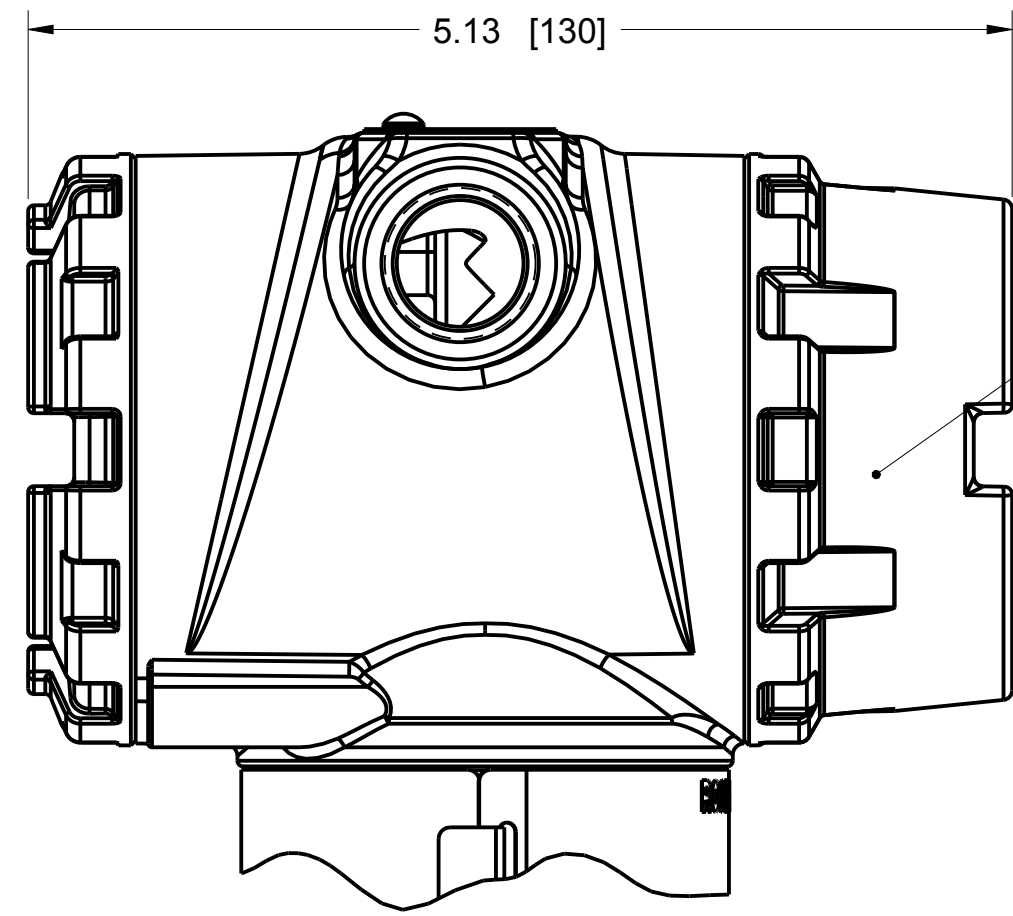


ROSEMOUNT 3051T IN-LINE PRESSURE TRANSMITTER

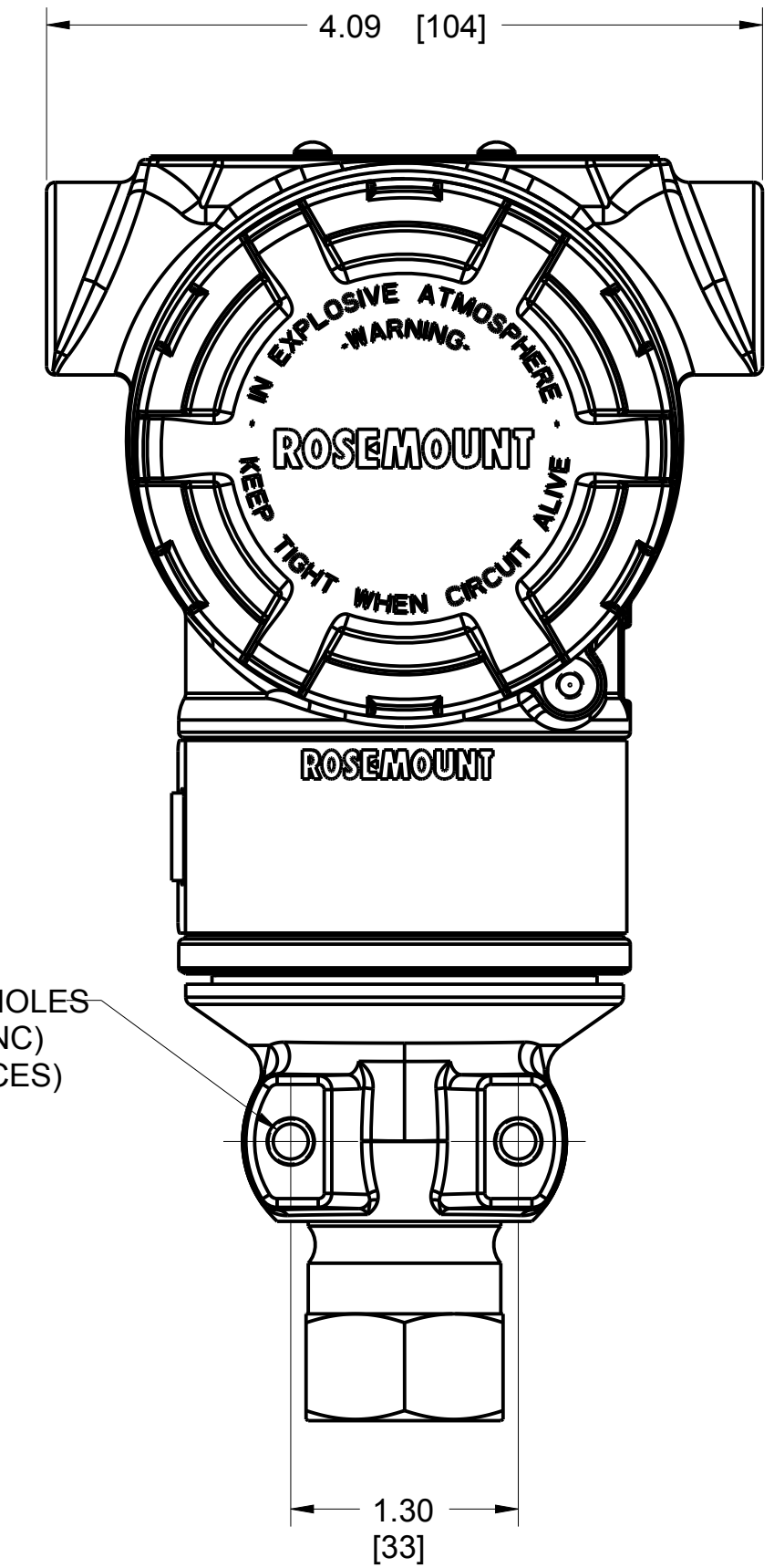
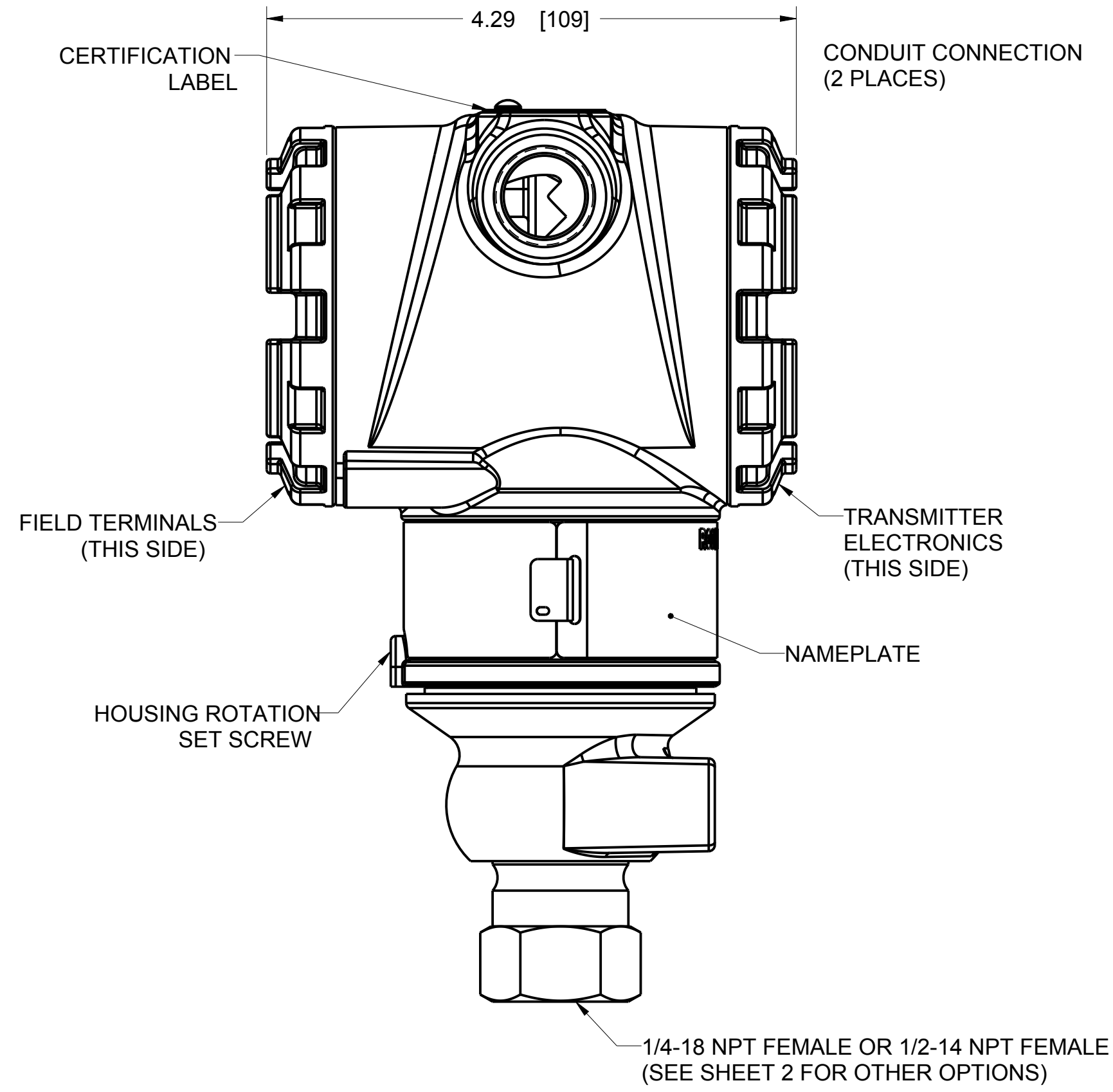
REVISION TABLE			
REVISION	ECO NO.	APP'D	DATE
AJ	RTC1060606	TW	7/23/14
DESCRIPTION			
ADD FIELDBUS NOTES			

SHOWN WITH OPTIONAL DIGITAL DISPLAY

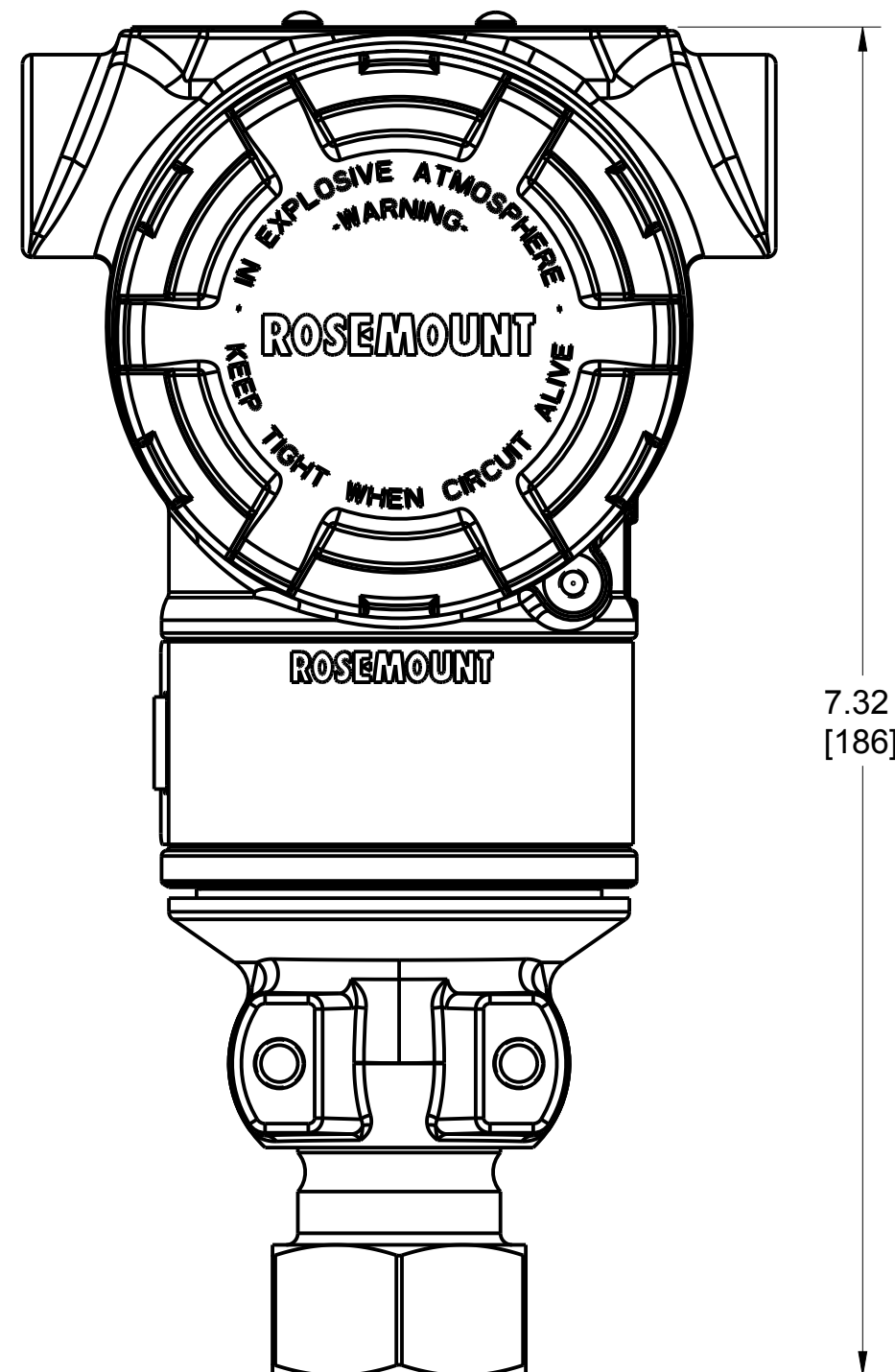


DIGITAL DISPLAY COVER

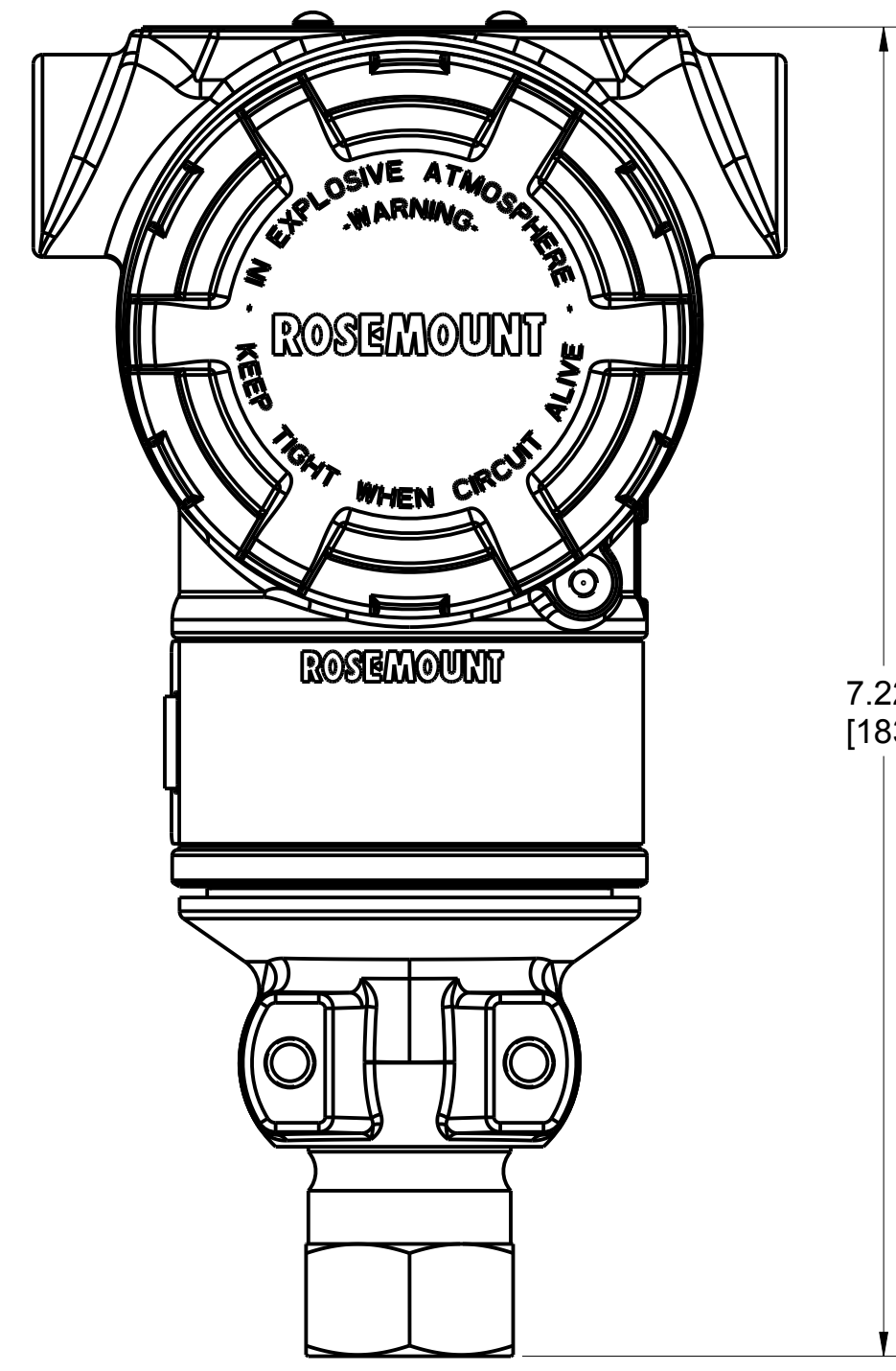
OUTPUT CODE (A) AND (F) (SEE NOTE 4) ALUMINUM/SST HOUSING



PRESSURE RANGE OPTION 5A



PRESSURE RANGE OPTION 1A-4A



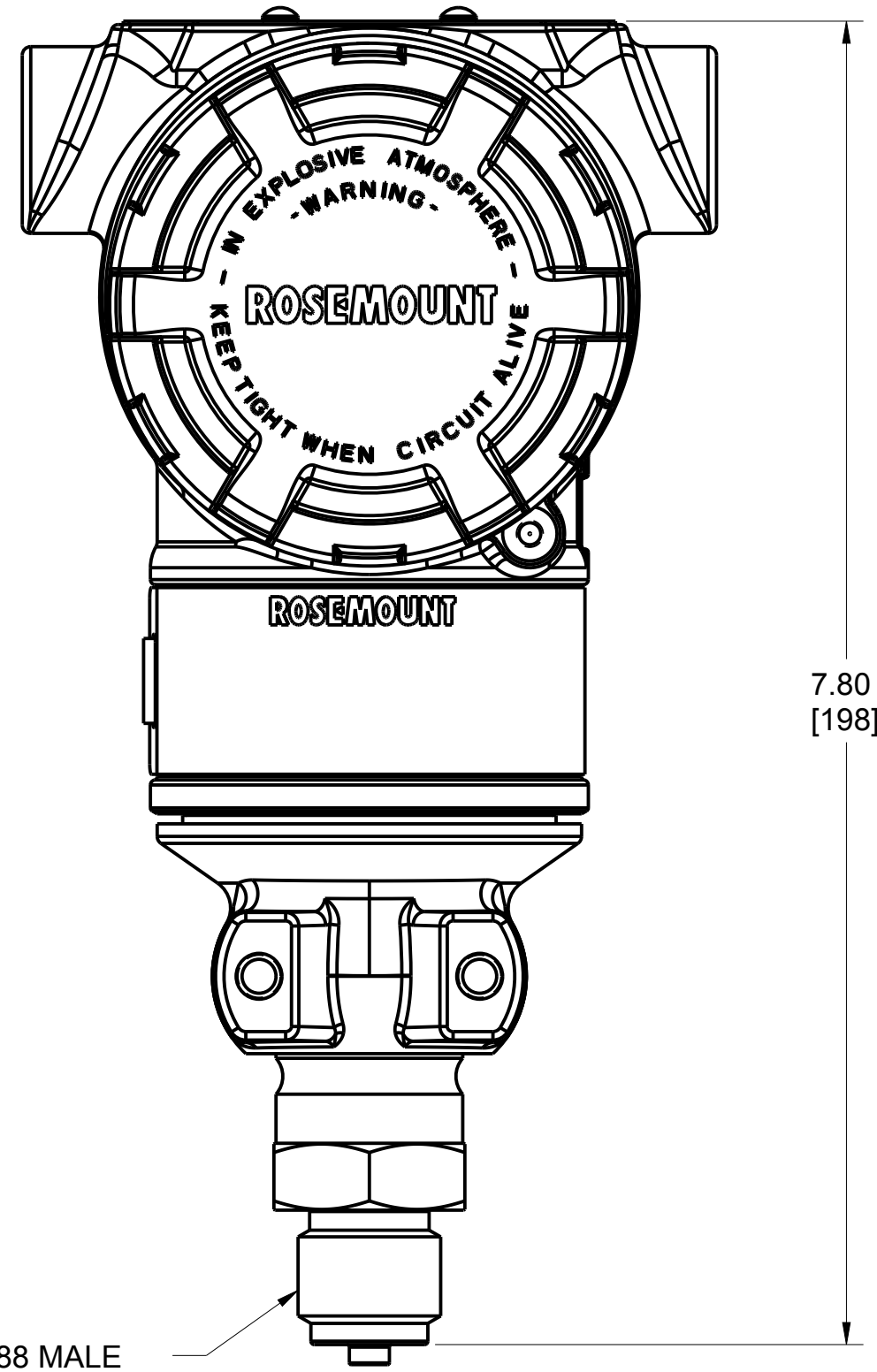
- NOTES:
- ROSEMOUNT INC. CERTIFIES THIS DRAWING IS IN ACCORDANCE WITH ROSEMOUNT ENGINEERING SPECIFICATIONS AND ACCURATELY REPRESENTS THE EQUIPMENT FURNISHED.
 - .75 [19] CLEARANCE REQUIRED TO REMOVE COVERS (EACH SIDE).
 - FOR OUTPUT CODE (F): HOUSING TYPE AND DIMENSIONS APPLY TO DEVICE REVISION 7 TRANSMITTERS ONLY.
 - FOR OUTPUT CODE (F): HOUSING TYPE AND DIMENSIONS APPLY TO DEVICE REVISION 8 TRANSMITTERS ONLY.

UNLESS OTHERWISE SPECIFIED DIMENSIONS AND TOLERANCES GOVERN OVER ALL DIMENSIONS AND TOLERANCES SHOWN HEREIN AND MUST BE HANDLED ACCORDINGLY. EMERSON	CUSTOMER	3RD ANGLE	SIZE	SCALE	REV
	CUSTOMER DWG NO.		D	1/1	AJ
	P.O. No.				
	S.O. No.	TITLE ROSEMOUNT 3051T IN-LINE PRESSURE TRANSMITTER			
PROJECT NAME	DR. JLA	7/23/14	DRAWING NO. 03031-2097		
	APP'D OM WALLACE	7/23/14			
DO NOT SCALE PRINT	CAD MAINTAINED, (PRO/E)	PRODUCT CODE	DOC TYPE	SHEET 1 OF 9	

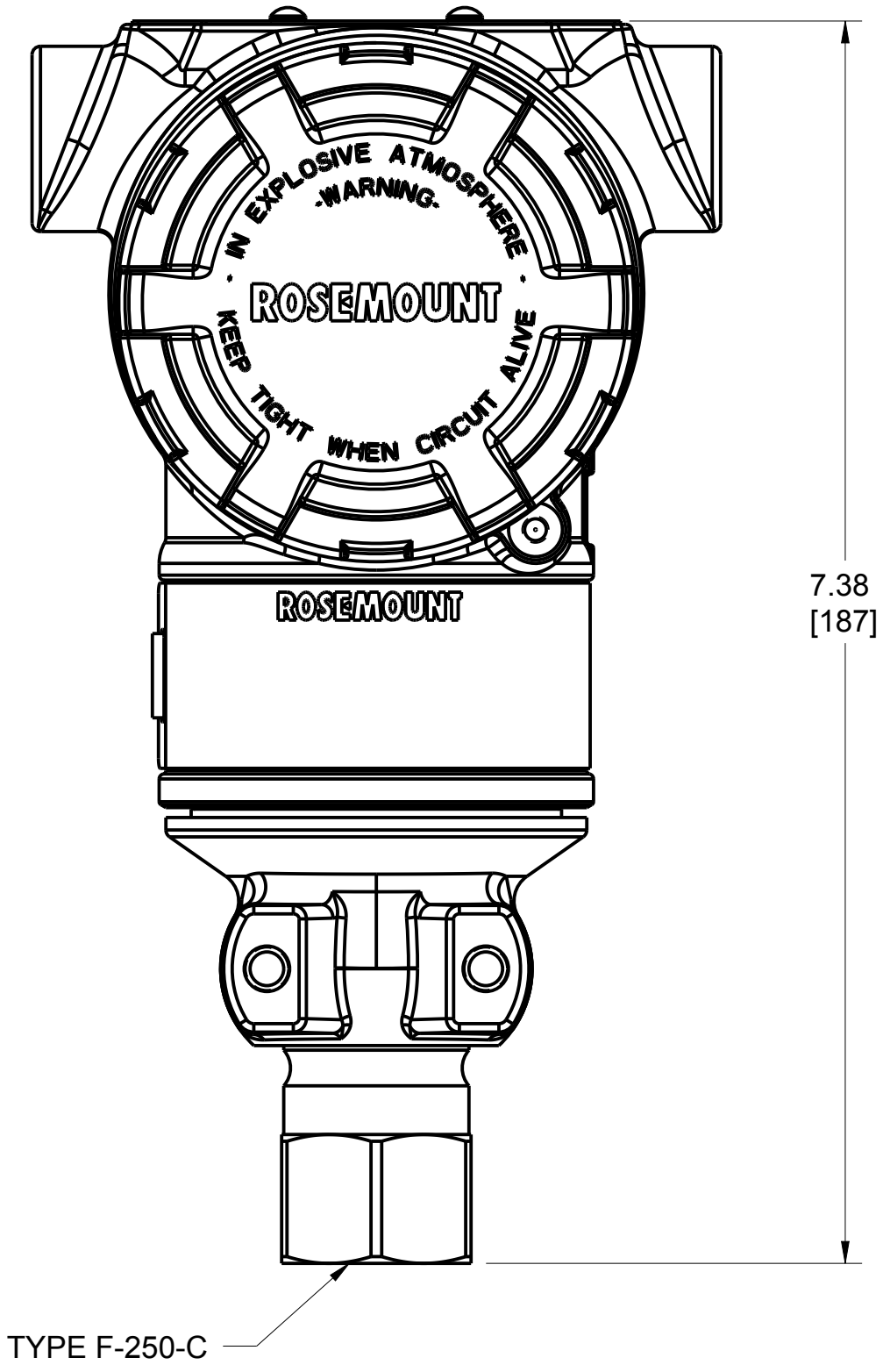
DRAWING NO. 03031-2097 TAG NO. GAL.

ROSEMOUNT 3051T IN-LINE PRESSURE TRANSMITTER

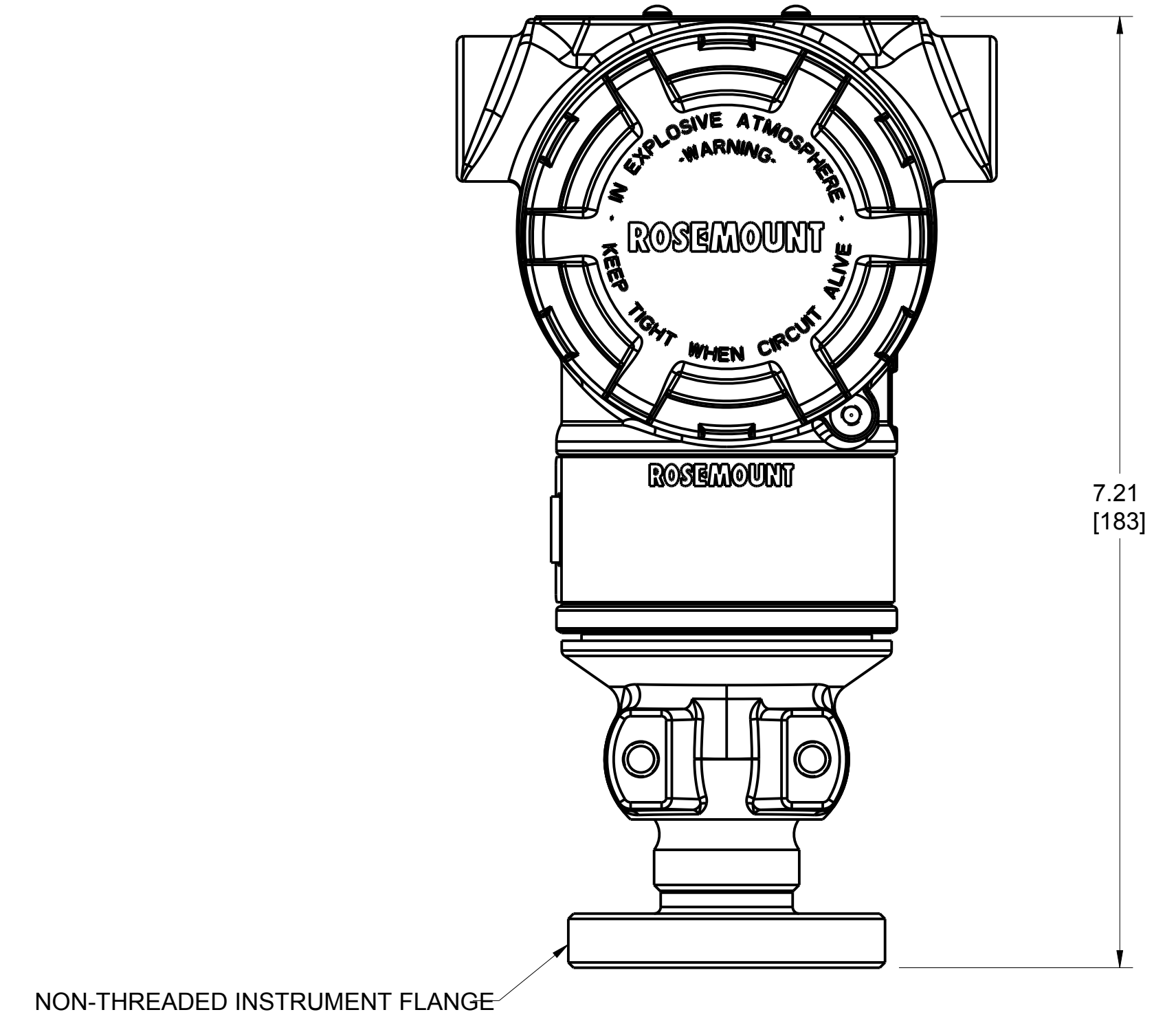
G 1/2 A DIN 16288 MALE
PROCESS CONNECTION



AUTOCLAVE TYPE F-250-C
PROCESS CONNECTION



NON-THREADED INSTRUMENT FLANGE
PROCESS CONNECTION



G 1/2 A DIN 16288 MALE

AUTOCLAVE TYPE F-250-C

NON-THREADED INSTRUMENT FLANGE

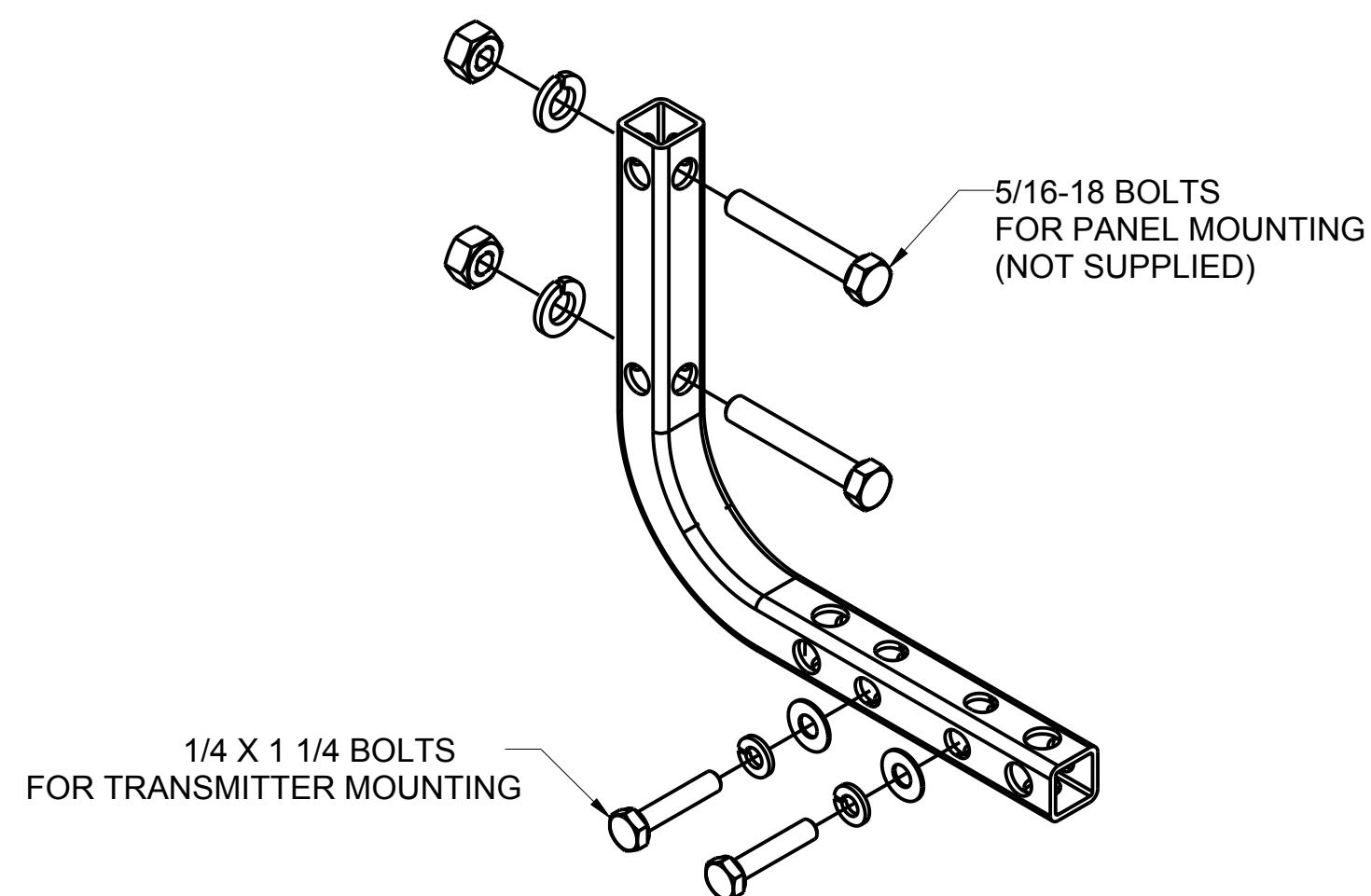
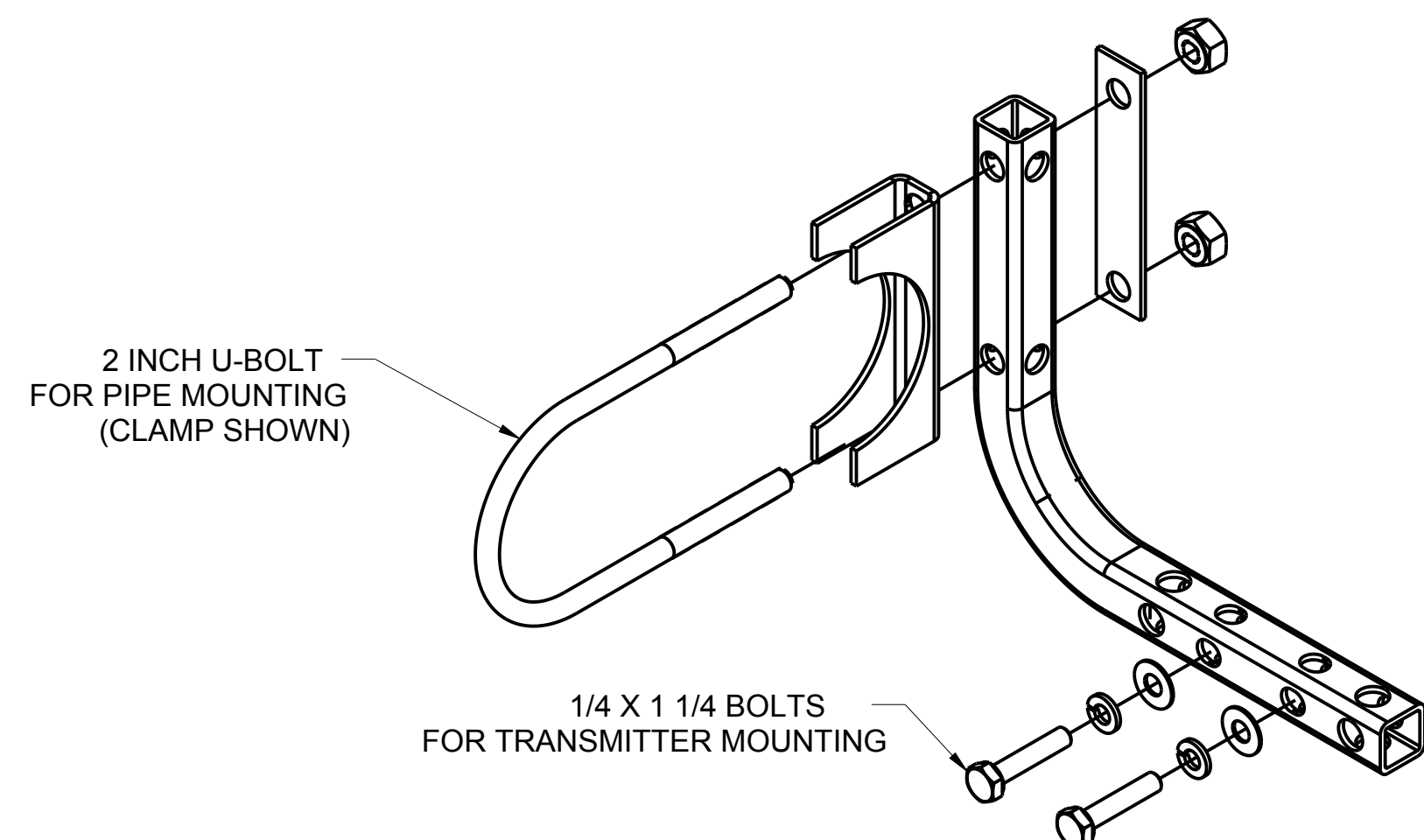
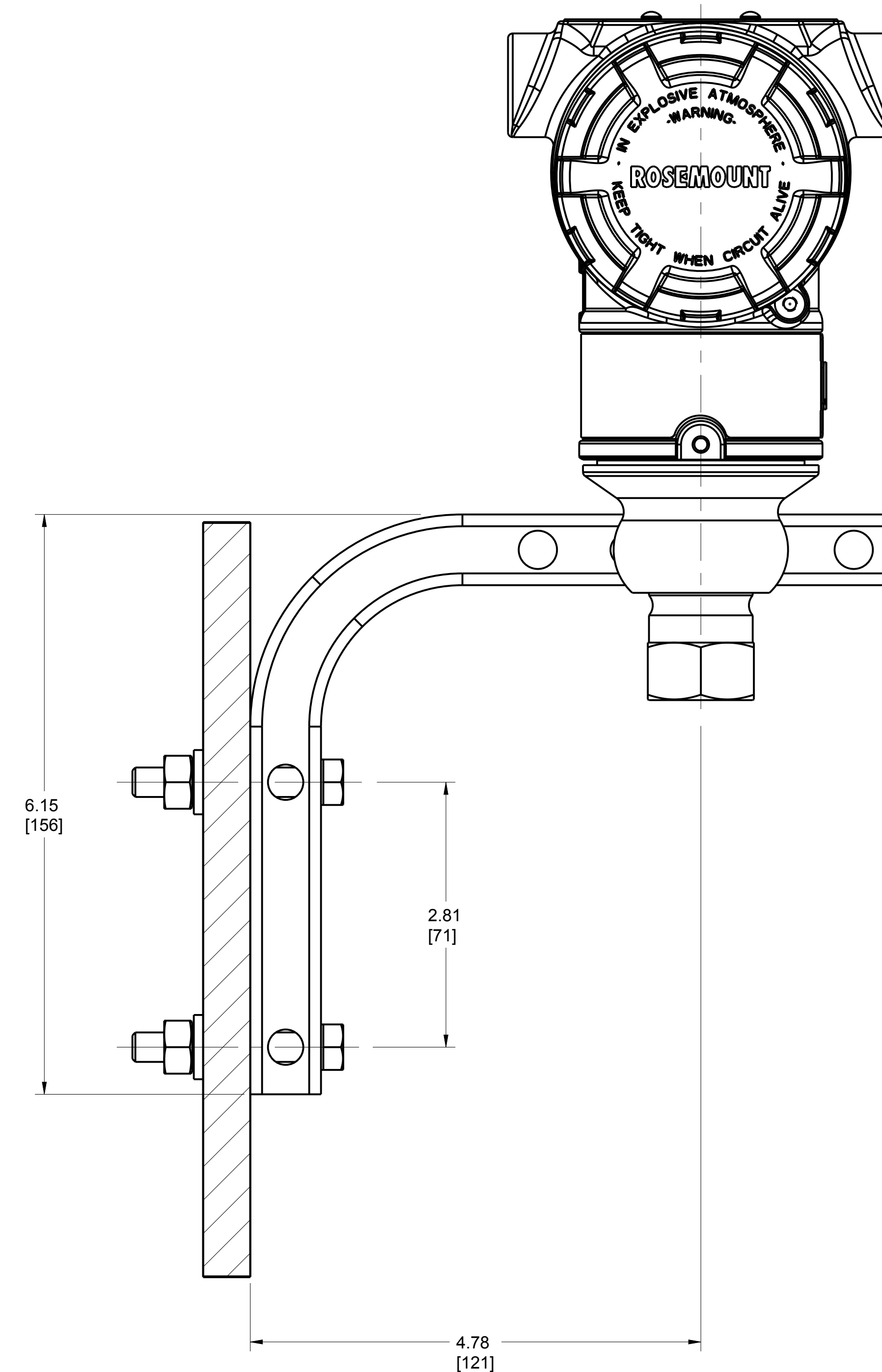
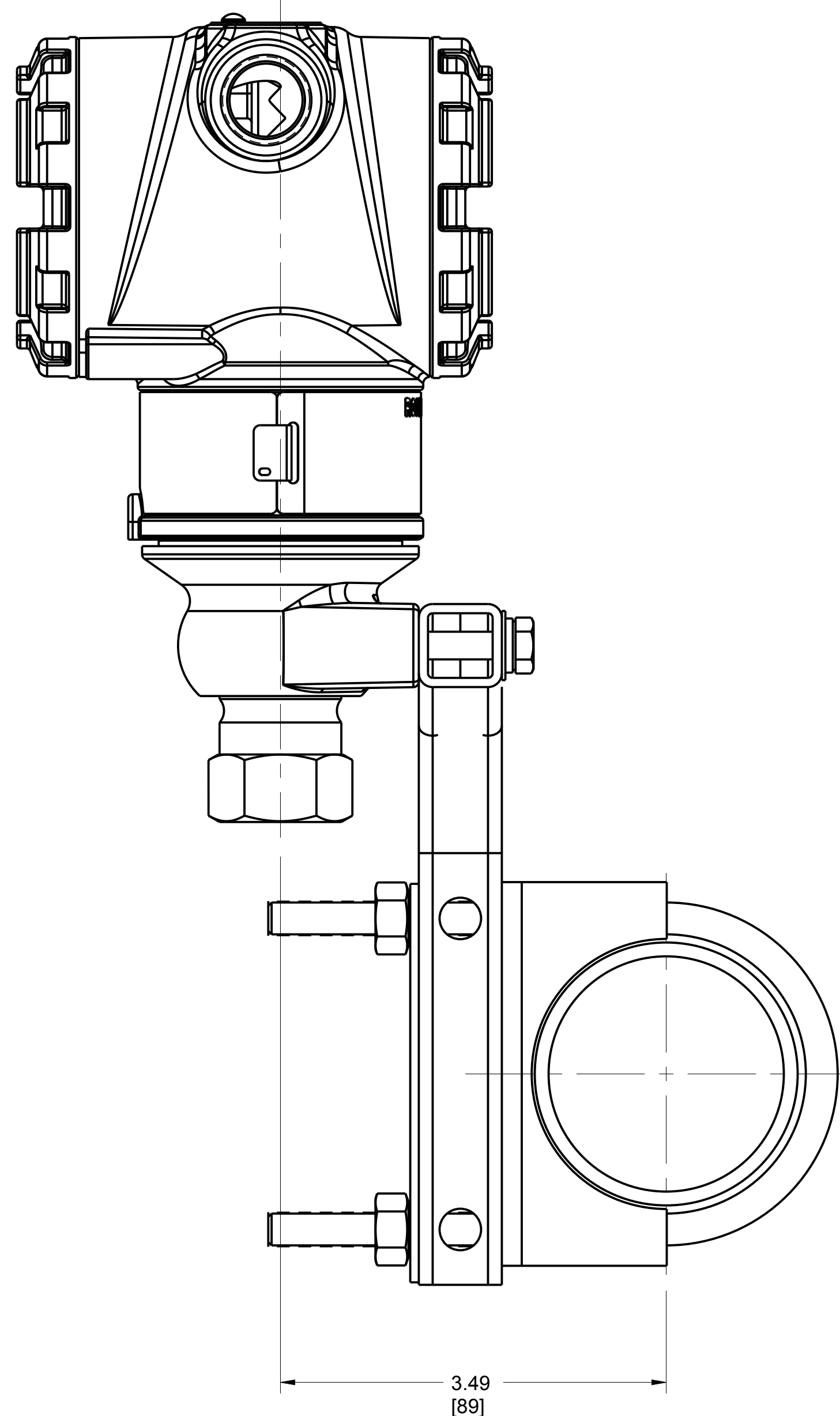
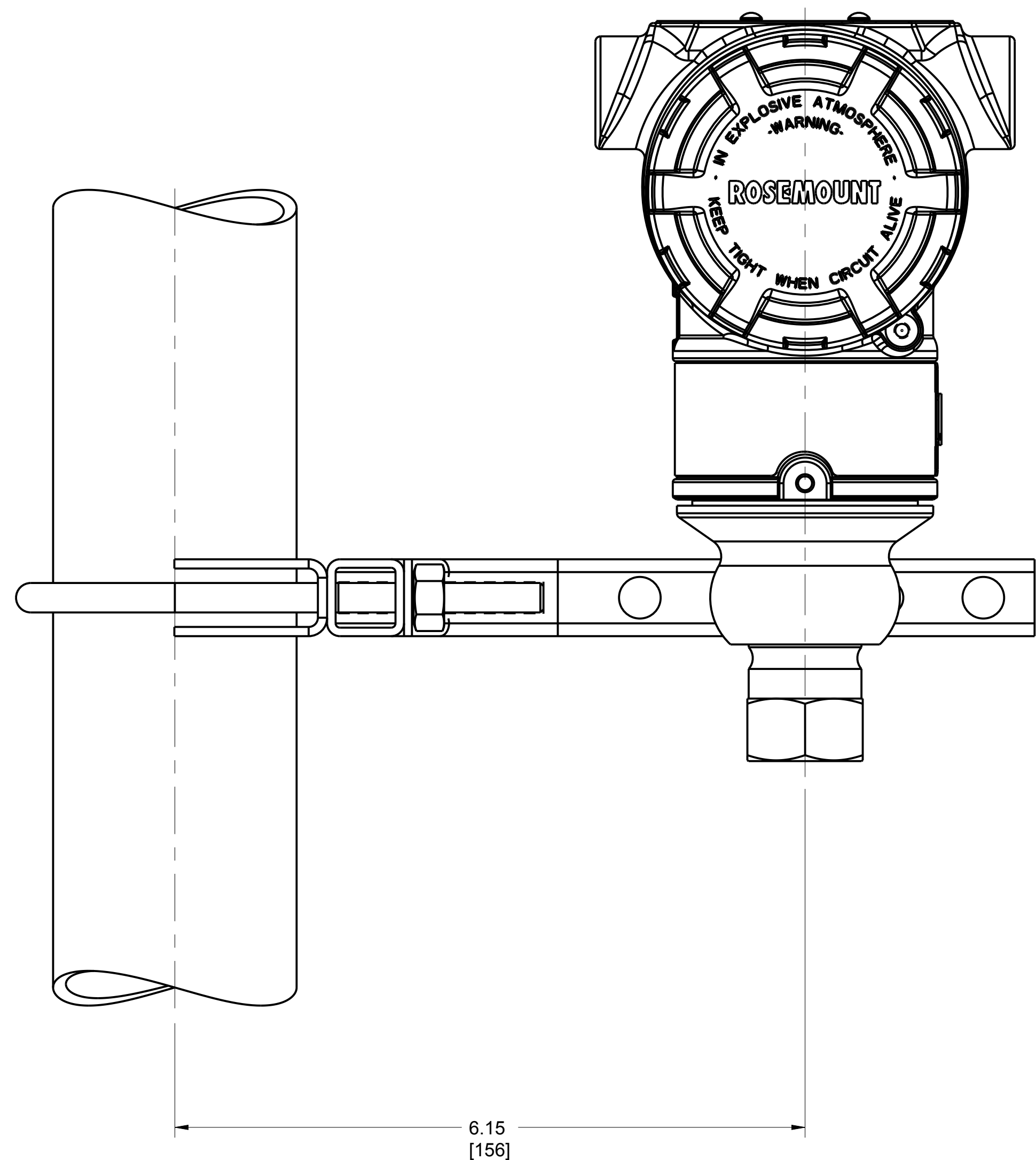
DRAWING NO. 03031-2097 TAG NO. CAL.

UNLESS OTHERWISE SPECIFIED CONVERSIONS AND DIMENSIONS INFORMATION IS CONTAINED HEREIN AND MUST BE HANDLED ACCORDINGLY. EMERSON INFORMATION WITHIN THIS DOCUMENT IS UNCLASSIFIED NOTICE NOT INTENDED FOR ENGINEERING USE. REFERENCE TO THIS DOCUMENT IS NOT AUTHORIZED FOR ENGINEERING INFORMATION.	CUSTOMER		3RD ANGLE	SIZE D	SCALE 1/1	REV AJ
	CUSTOMER DWG NO.					
	P.O. No.	***	TITLE ROSEMOUNT 3051T IN-LINE PRESSURE TRANSMITTER			
	S.O. No.	***	PROJECT NAME			
DR. JLA 7/23/14		DRAWING NO. 03031-2097		APP'D TOM WALLACE 7/23/14		
DO NOT SCALE PRINT		CAD MAINTAINED, (PRO/E)		PRODUCT CODE		DOC TYPE SHEET 2 OF 9

ROSEMOUNT 3051T IN-LINE PRESSURE TRANSMITTER MOUNTING CONFIGURATIONS WITH OPTIONAL MOUNTING BRACKET

PIPE MOUNTING

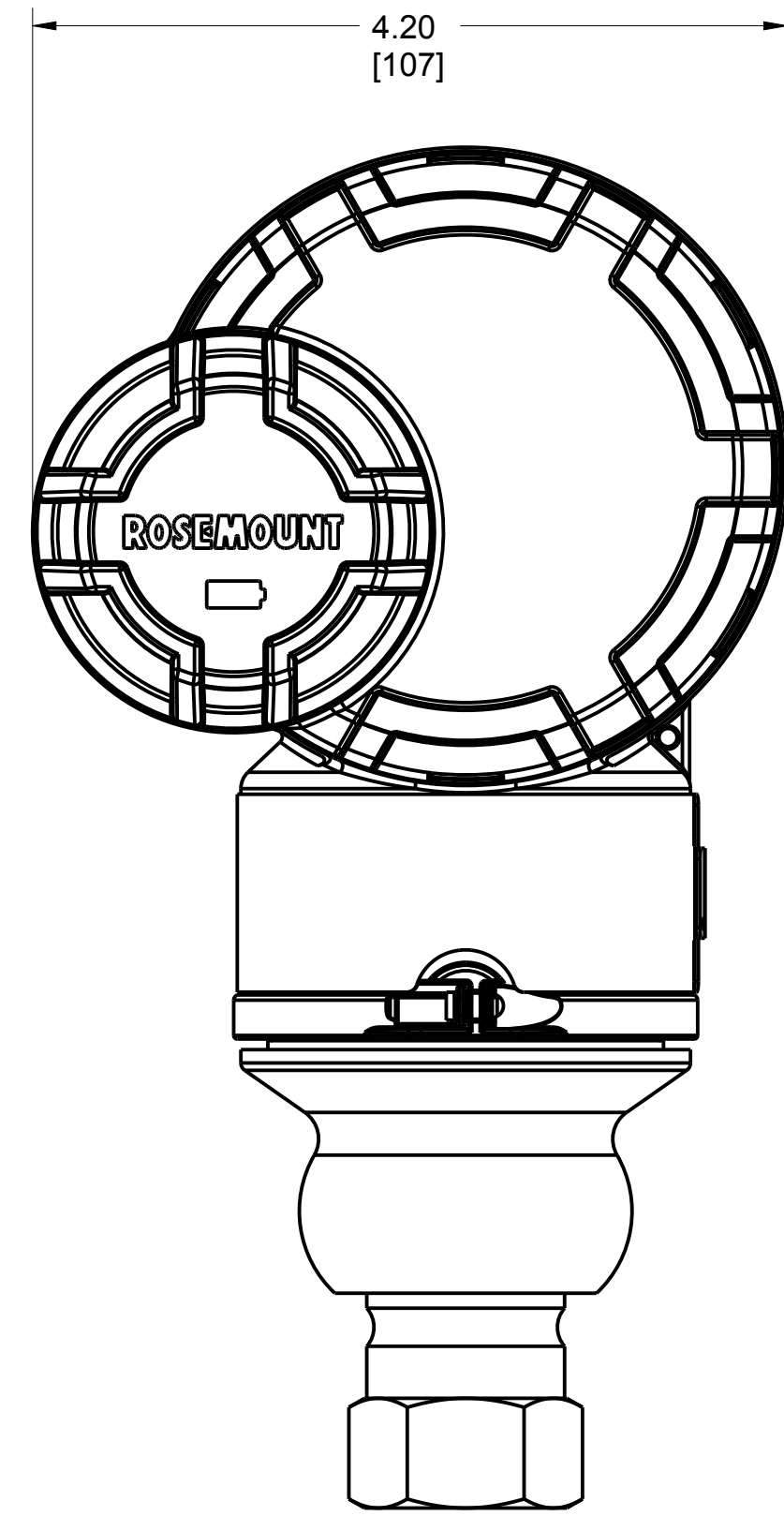
PANEL MOUNTING



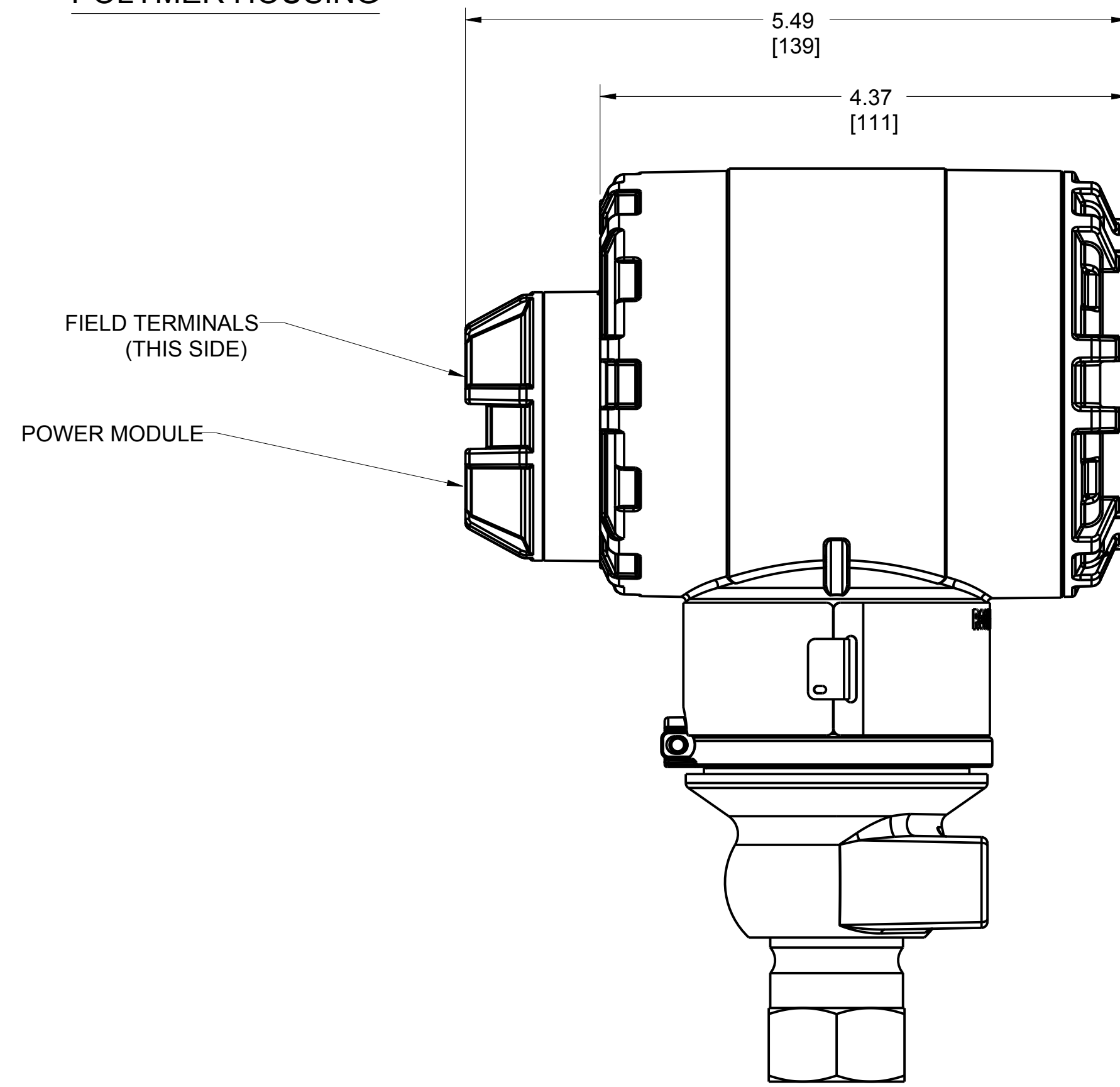
<small>UNLESS OTHERWISE SPECIFIED DIMENSIONS AND TOLERANCES INFORMATION IS CONTAINED HEREIN AND MUST BE HANDLED ACCORDINGLY. EMERSON</small>	CUSTOMER	3RD ANGLE	SIZE	SCALE	REV
	CUSTOMER DWG NO.		D	1/1	AJ
	P.O. No.	***	EMERSON ROSEMOUNT®		
	S.O. No.	***	ROSEMOUNT 3051T IN-LINE PRESSURE TRANSMITTER		
PROJECT NAME	DR.	JLA	7/23/14	DRAWING NO.	03031-2097
DO NOT SCALE PRINT	APP'D	OM WALLACE	7/23/14	DOC TYPE	SHEET 3 OF 9

TAG NO. 03031-2097
 DRAWING NO.

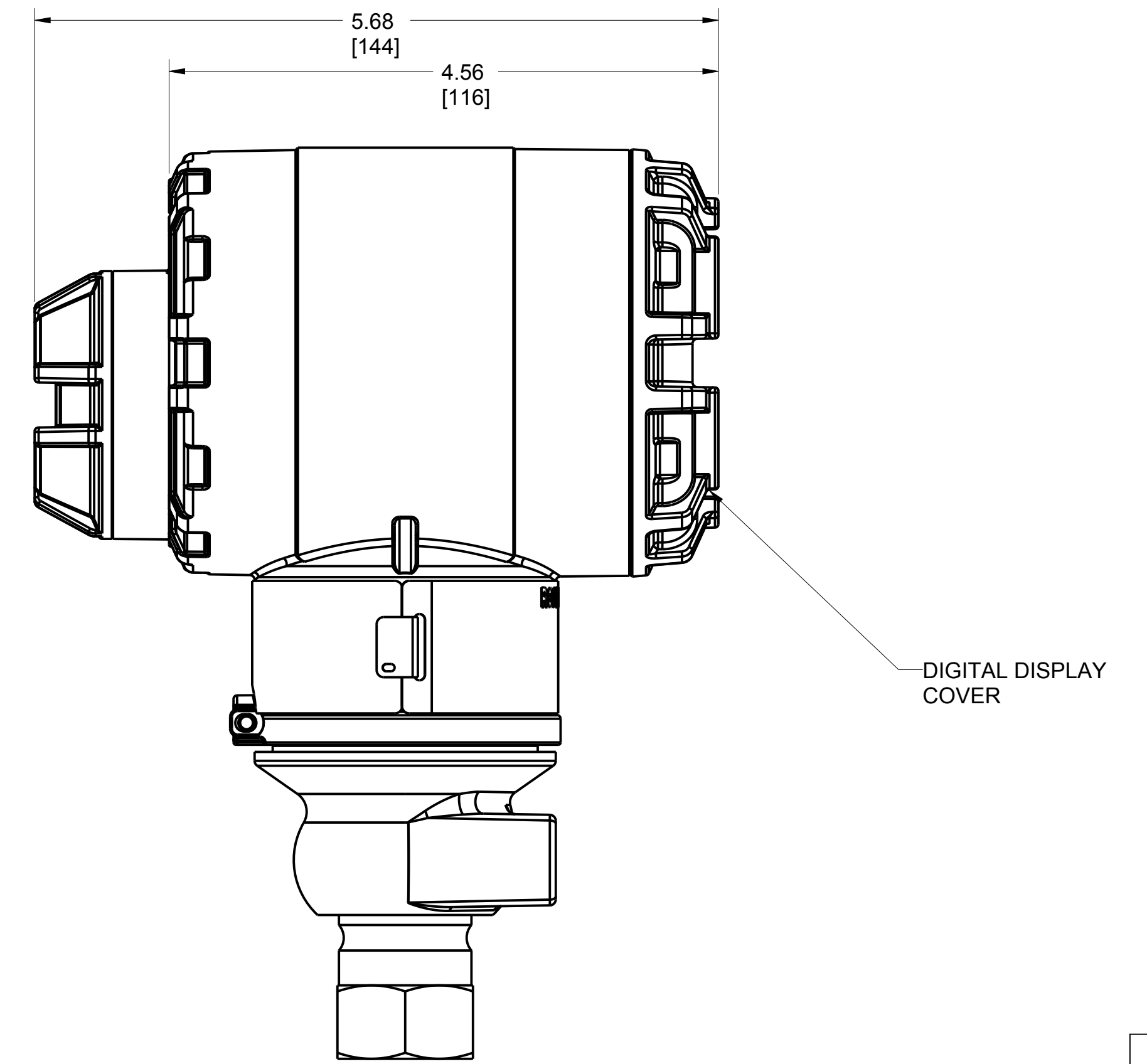
ROSEMOUNT 3051T WIRELESS IN-LINE PRESSURE TRANSMITTER



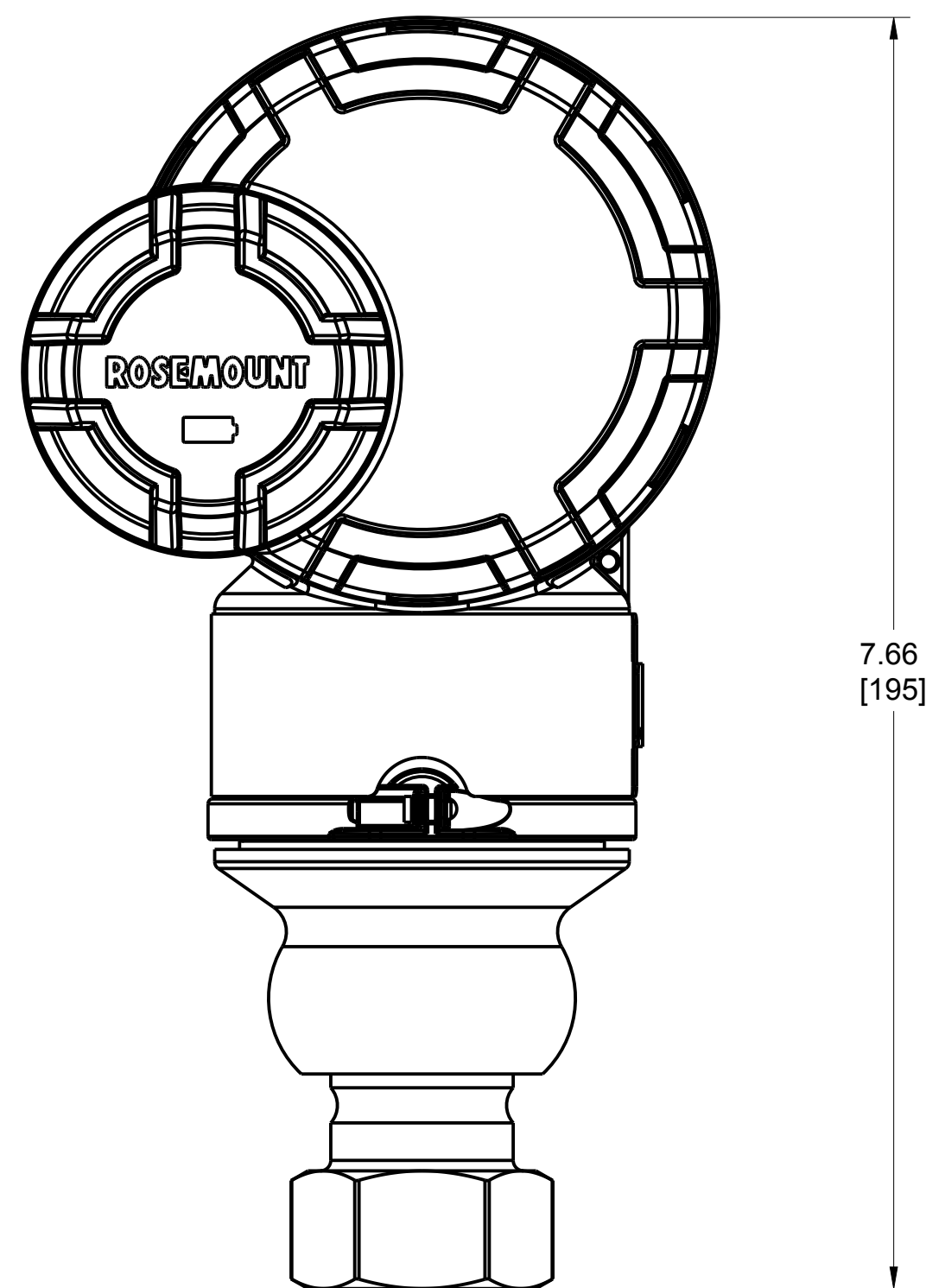
OUTPUT CODE X
POLYMER HOUSING



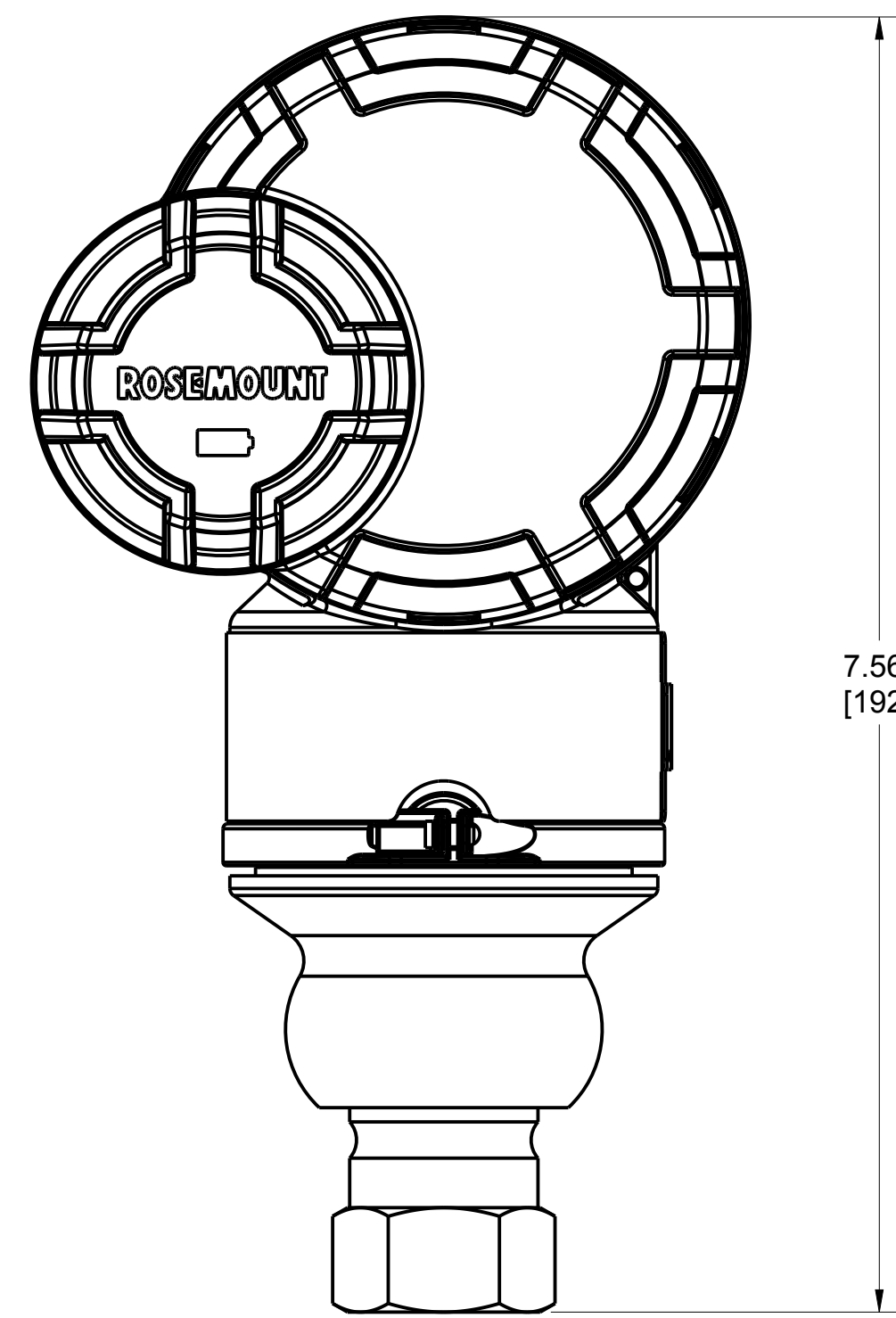
SHOWN WITH OPTIONAL DIGITAL DISPLAY



PRESSURE RANGE OPTION 5A



PRESSURE RANGE OPTION 1A-4A

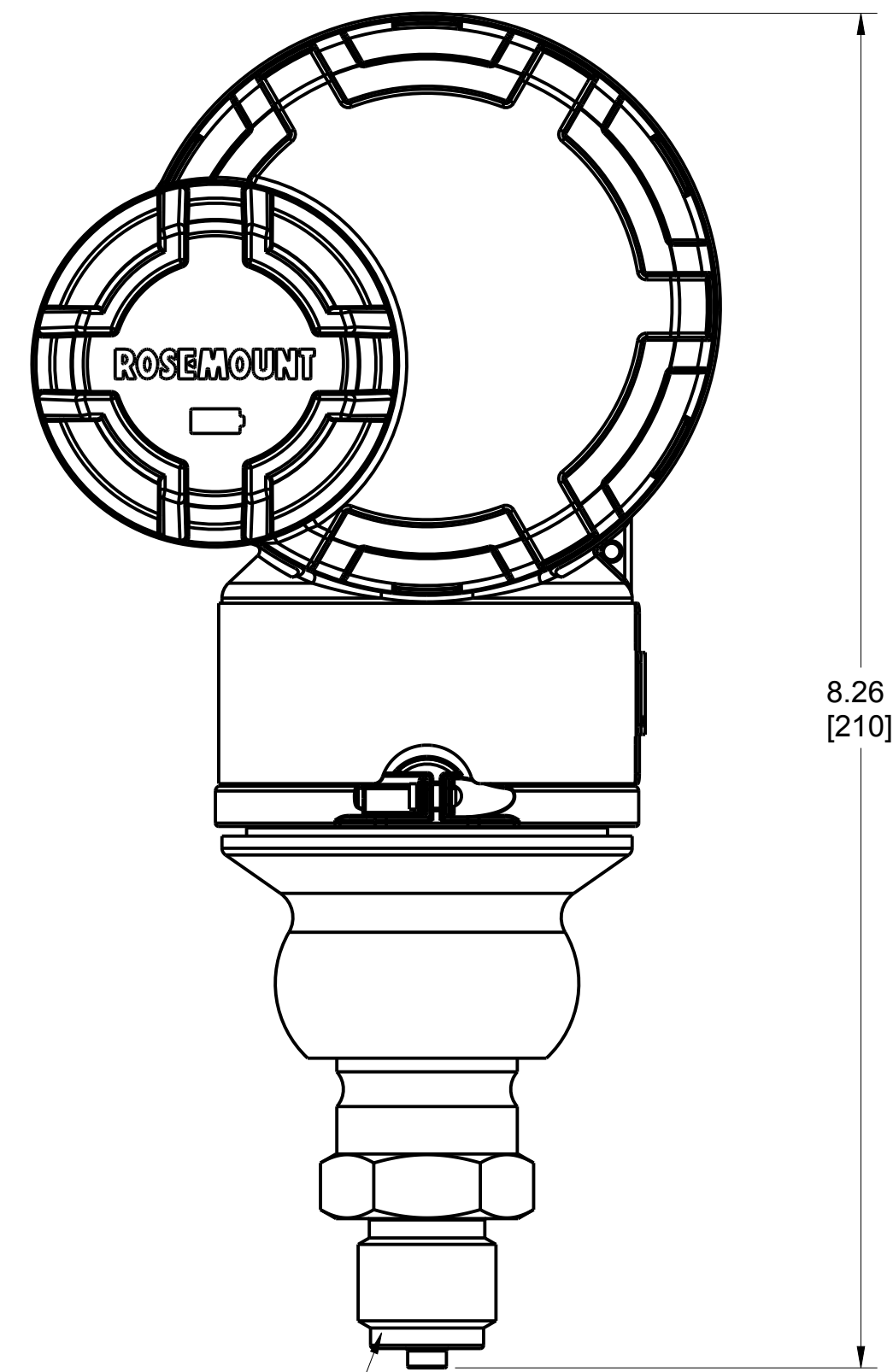


<small>UNLESS OTHERWISE SPECIFIED DIMENSIONS AND DECIMALS ARE IN INCHES AND FRACTIONS. ALL DIMENSIONS AND TOLERANCES ARE TO UNLESS OTHERWISE SPECIFIED. EMERSON</small>	CUSTOMER	3RD ANGLE	SIZE	SCALE	REV
	CUSTOMER DWG NO.		D	1/1	AJ
	P.O. No.				
	S.O. No.	ROSEMOUNT®			
PROJECT NAME	ROSEMOUNT 3051T IN-LINE PRESSURE TRANSMITTER				
DR.	JLA	7/23/14	DRAWING NO.		03031-2097
APP'D	OTOM WALLACE	7/23/14	DRAWING NO.		03031-2097
DO NOT SCALE PRINT	CAD MAINTAINED, (PRO/E)	PRODUCT CODE	DOC TYPE	SHEET 4 OF 9	

TAG NO. 03031-2097
 DRAWING NO.

ROSEMOUNT 3051T WIRELESS IN-LINE PRESSURE TRANSMITTER

G 1/2 A DIN 16288 MALE
PROCESS CONNECTION



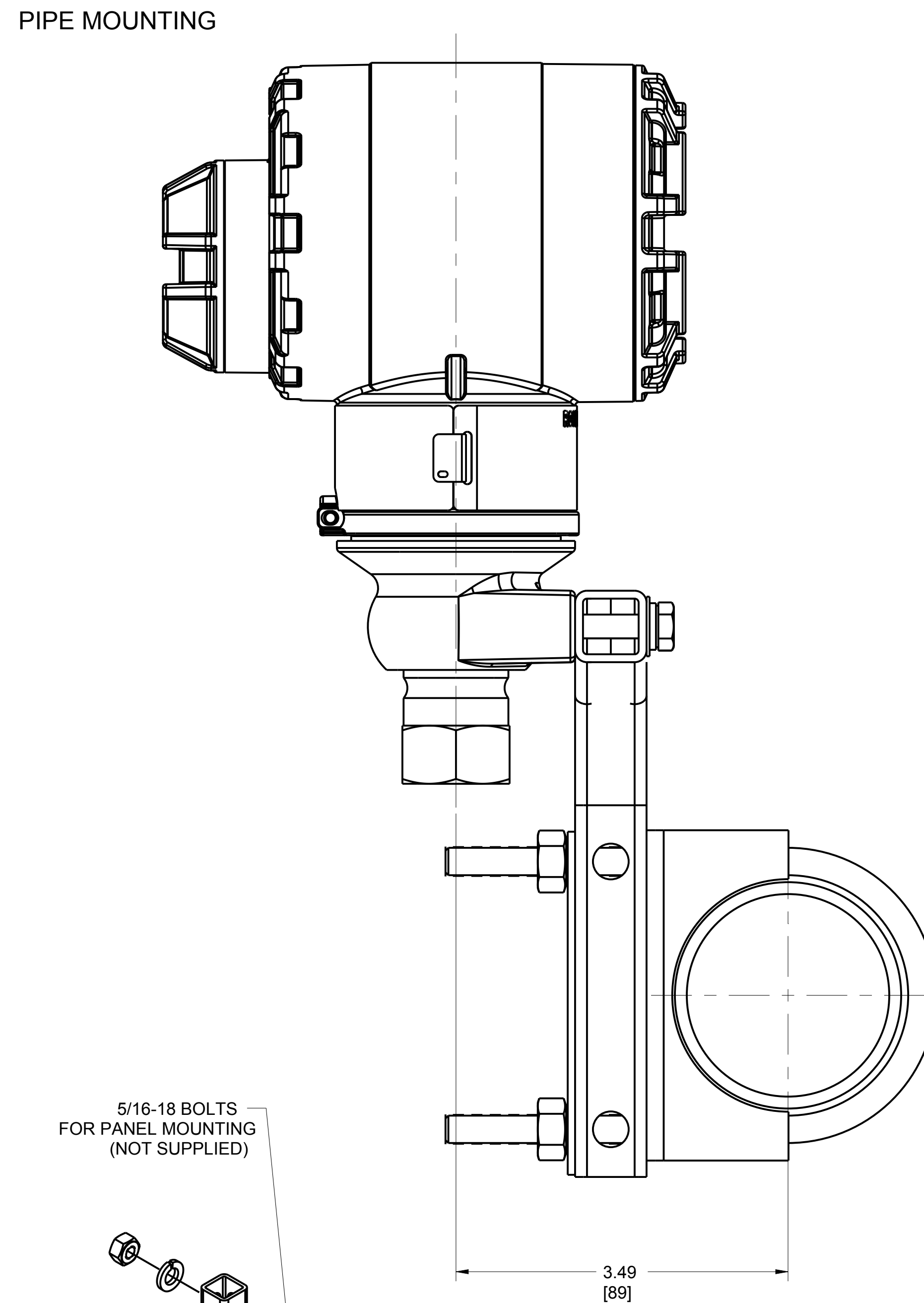
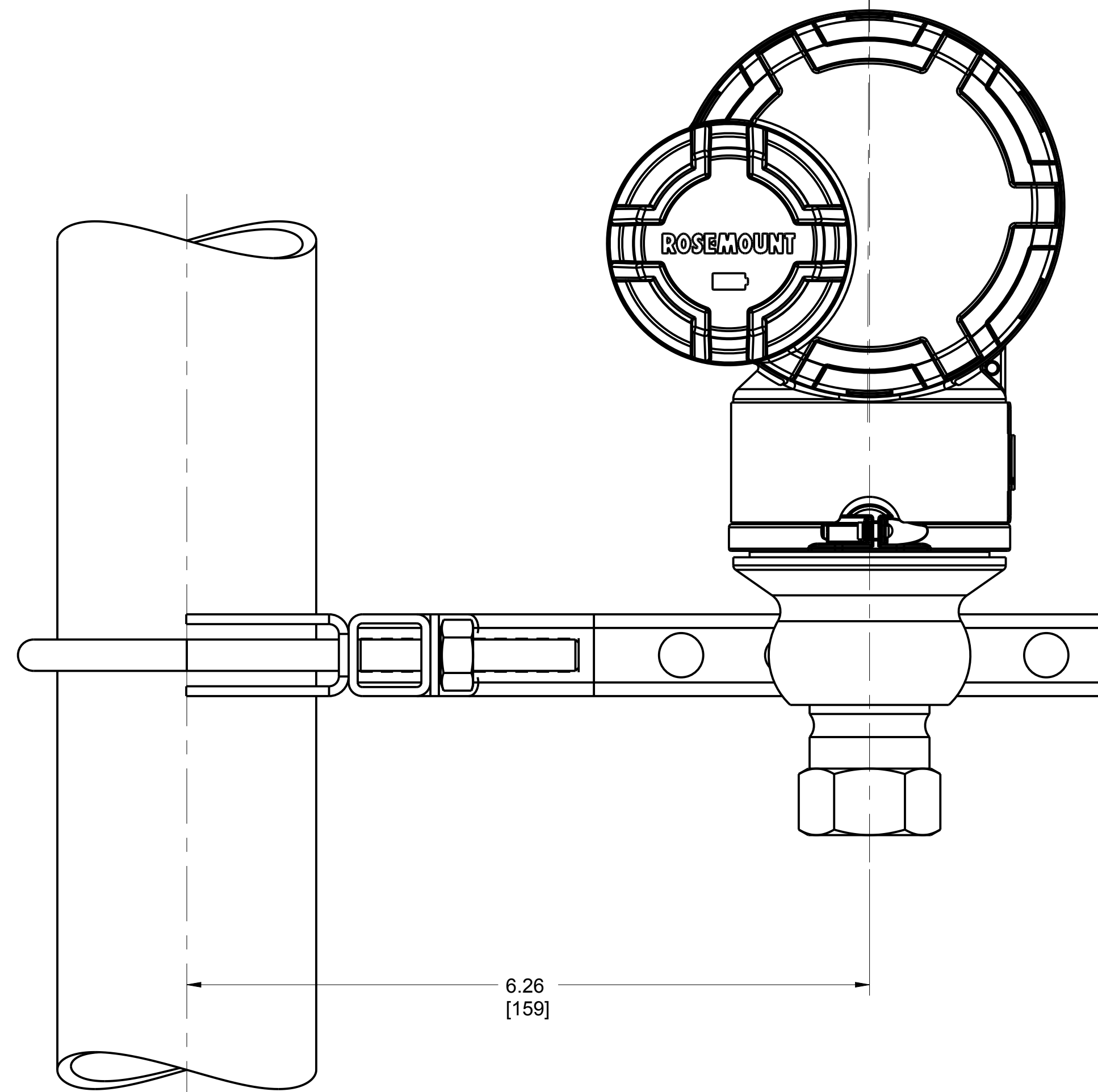
G 1/2 A DIN 16288 MALE

<small>UNLESS OTHERWISE SPECIFIED DIMENSIONS AND TOLERANCES CONFORM TO THE FIRST PRIORITY INFORMATION CONTAINED HEREIN AND MUST BE HANDLED ACCORDINGLY. EMERSON</small>	CUSTOMER		3RD ANGLE	SIZE D	SCALE 1/1	REV AJ
	CUSTOMER DWG NO.					
	P.O. No.	***	TITLE ROSEMOUNT 3051T IN-LINE PRESSURE TRANSMITTER			
	S.O. No.	***	DRAWING NO. 03031-2097			
PROJECT NAME		DR.	JLA	7/23/14	DRAWING NO.	
***		APP'D	OM WALLACE	7/23/14	03031-2097	
DO NOT SCALE PRINT		CAD MAINTAINED, (PROE)		PRODUCT CODE	DOC TYPE	SHEET 5 OF 9

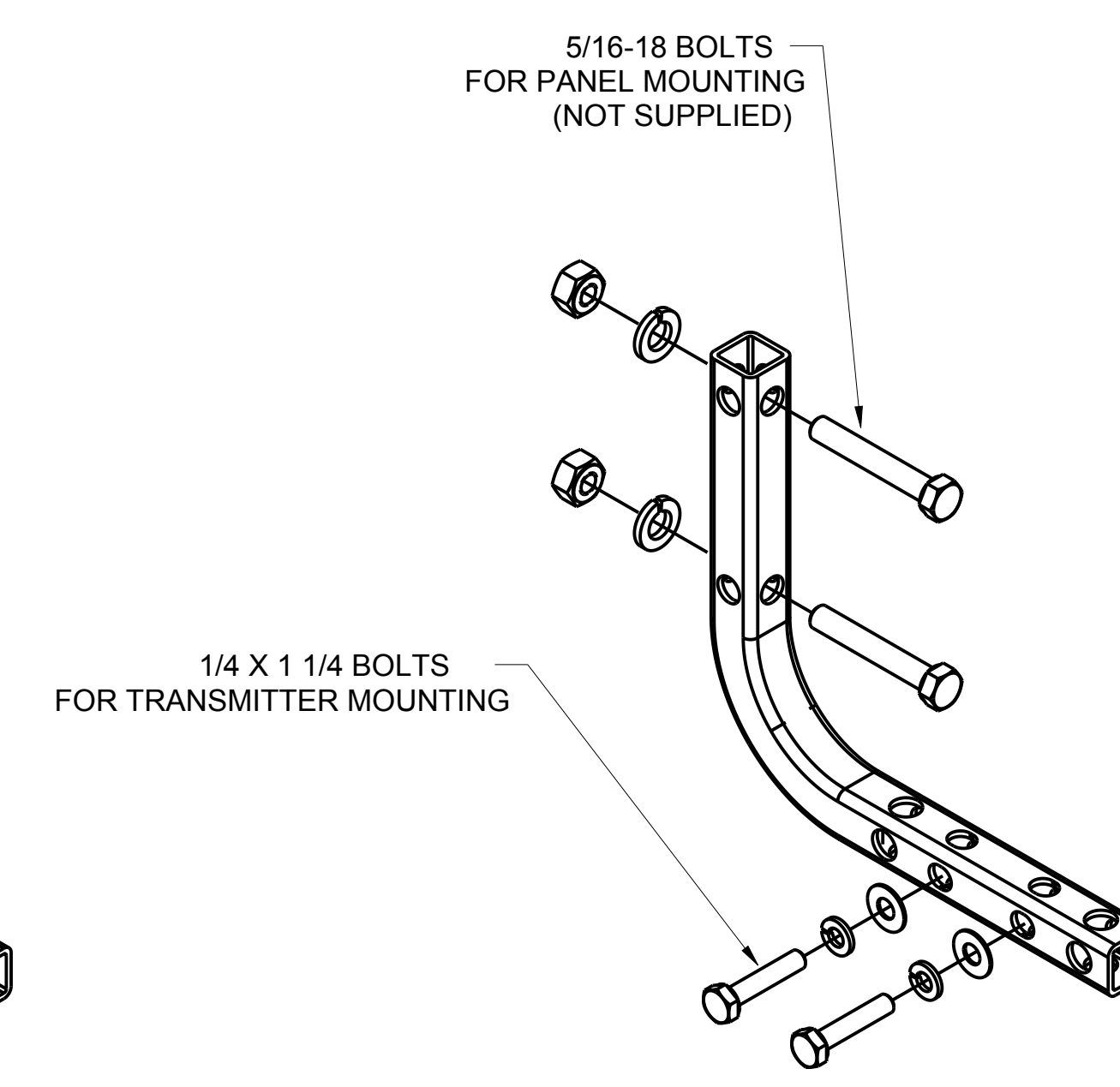
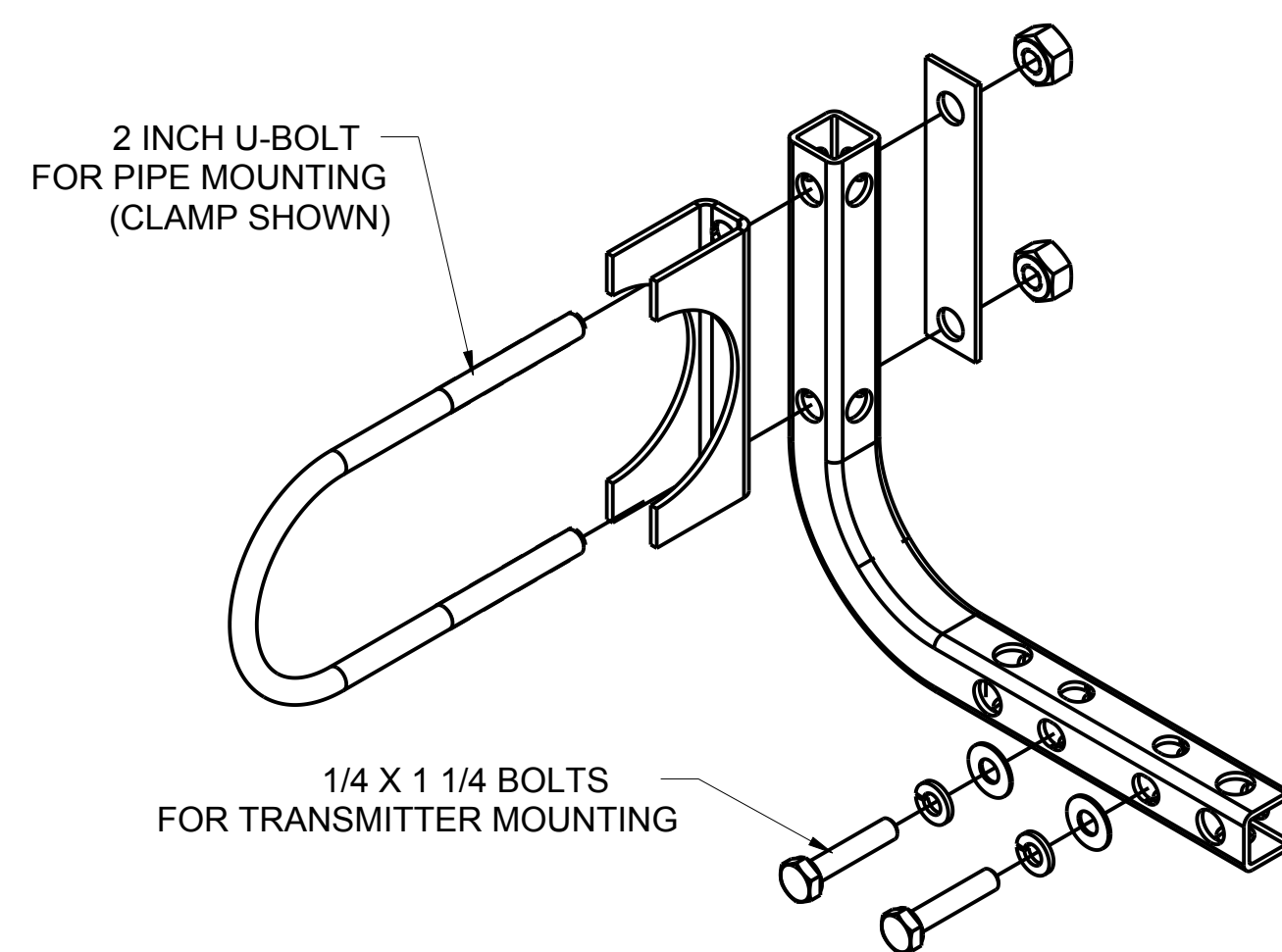
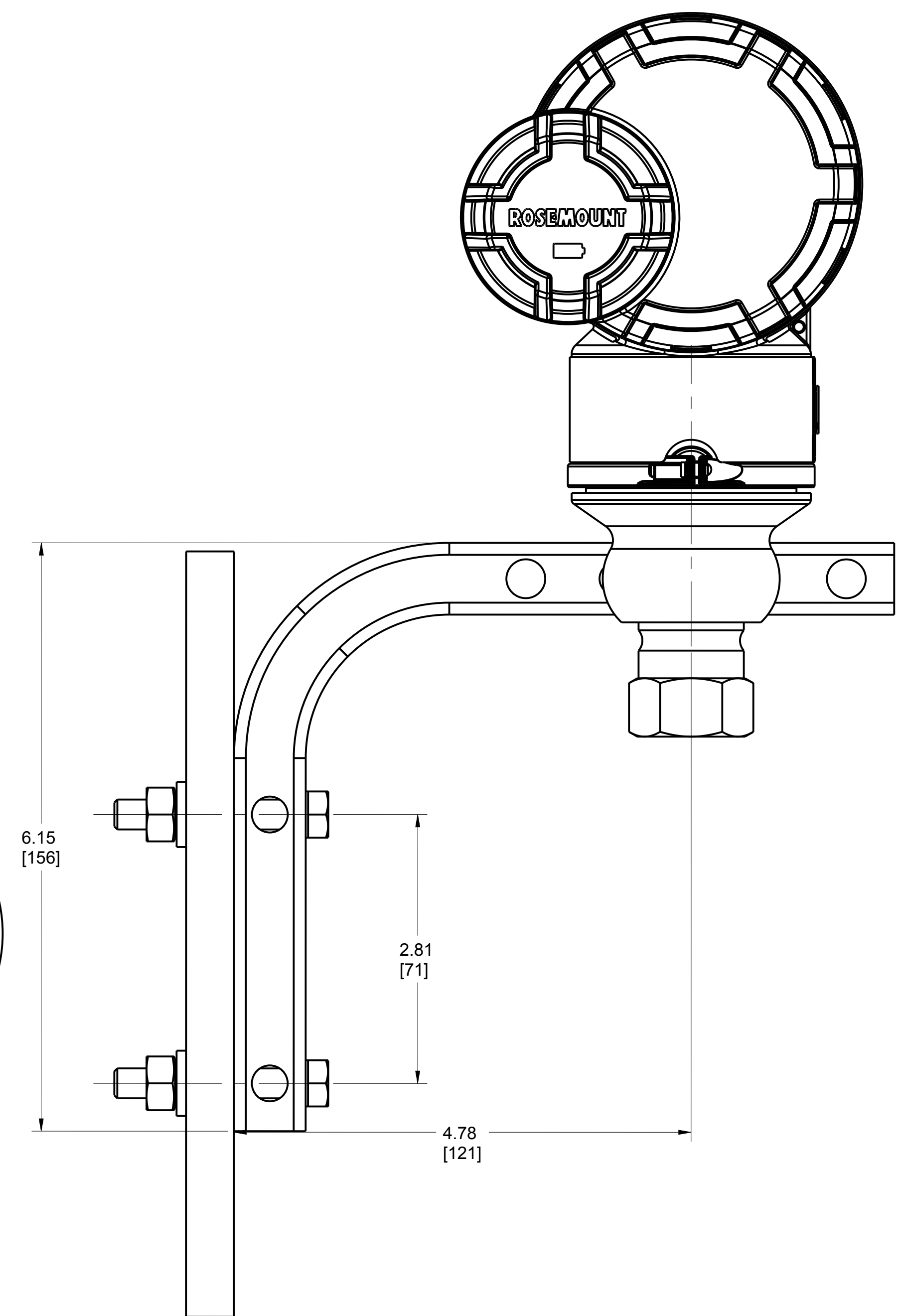
DRAWING NO. 03031-2097
 TAG NO.
 CAL.

ROSEMOUNT 3051T WIRELESS IN-LINE PRESSURE TRANSMITTER
MOUNTING CONFIGURATIONS WITH OPTIONAL MOUNTING BRACKET

PIPE MOUNTING



PANEL MOUNTING

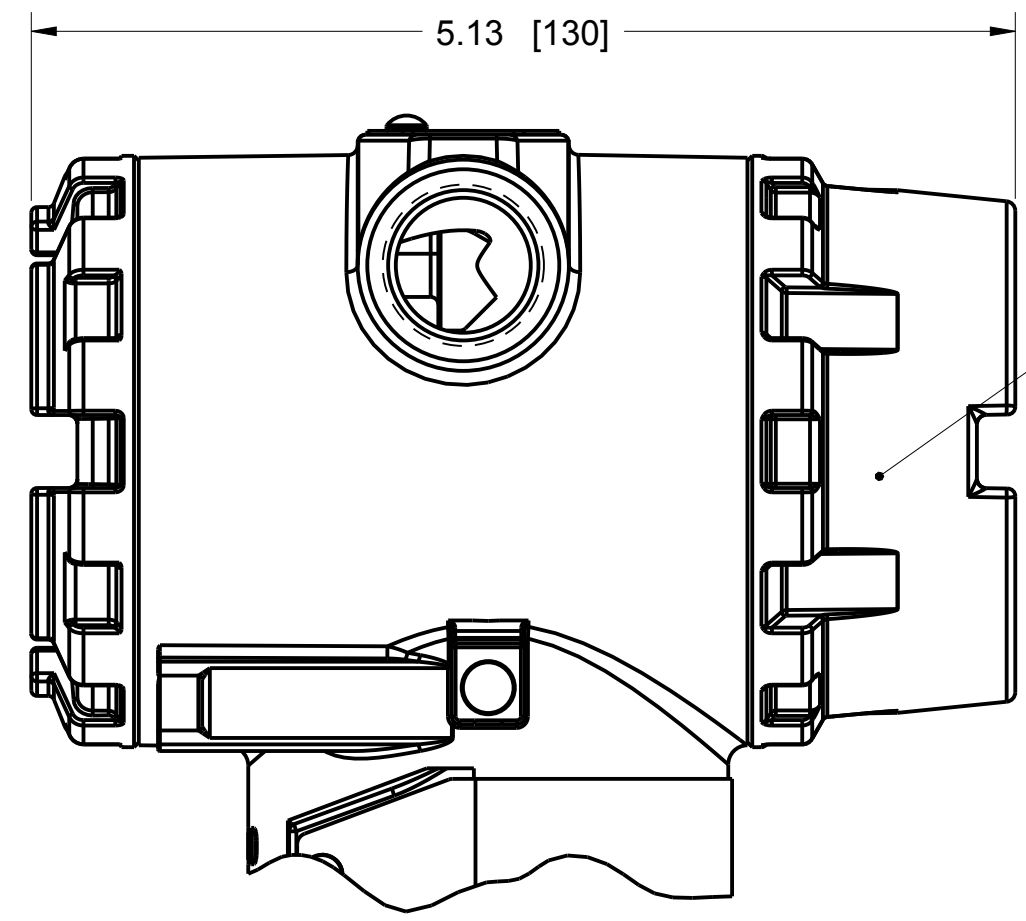


<small>UNLESS OTHERWISE SPECIFIED DIMENSIONS AND TOLERANCES SHOWN IN THIS DRAWING ARE IN INCHES AND MUST BE HANDLED ACCORDINGLY. EMERSON</small>	CUSTOMER	<small>3RD ANGLE</small> <small>SIZE D 1/1</small> <small>SCALE AJ</small>		
	CUSTOMER DWG NO.	EMERSON Process Management		
	P.O. No.	ROSEMOUNT®		
	S.O. No.	ROSEMOUNT 3051T IN-LINE PRESSURE TRANSMITTER		
PROJECT NAME	DR. JLA 7/23/14	DRAWING NO.	03031-2097	
	APP'D TOM WALLACE 7/23/14			
DO NOT SCALE PRINT	CAD MAINTAINED, (PROE)	PRODUCT CODE	DOC TYPE	SHEET 6 OF 9

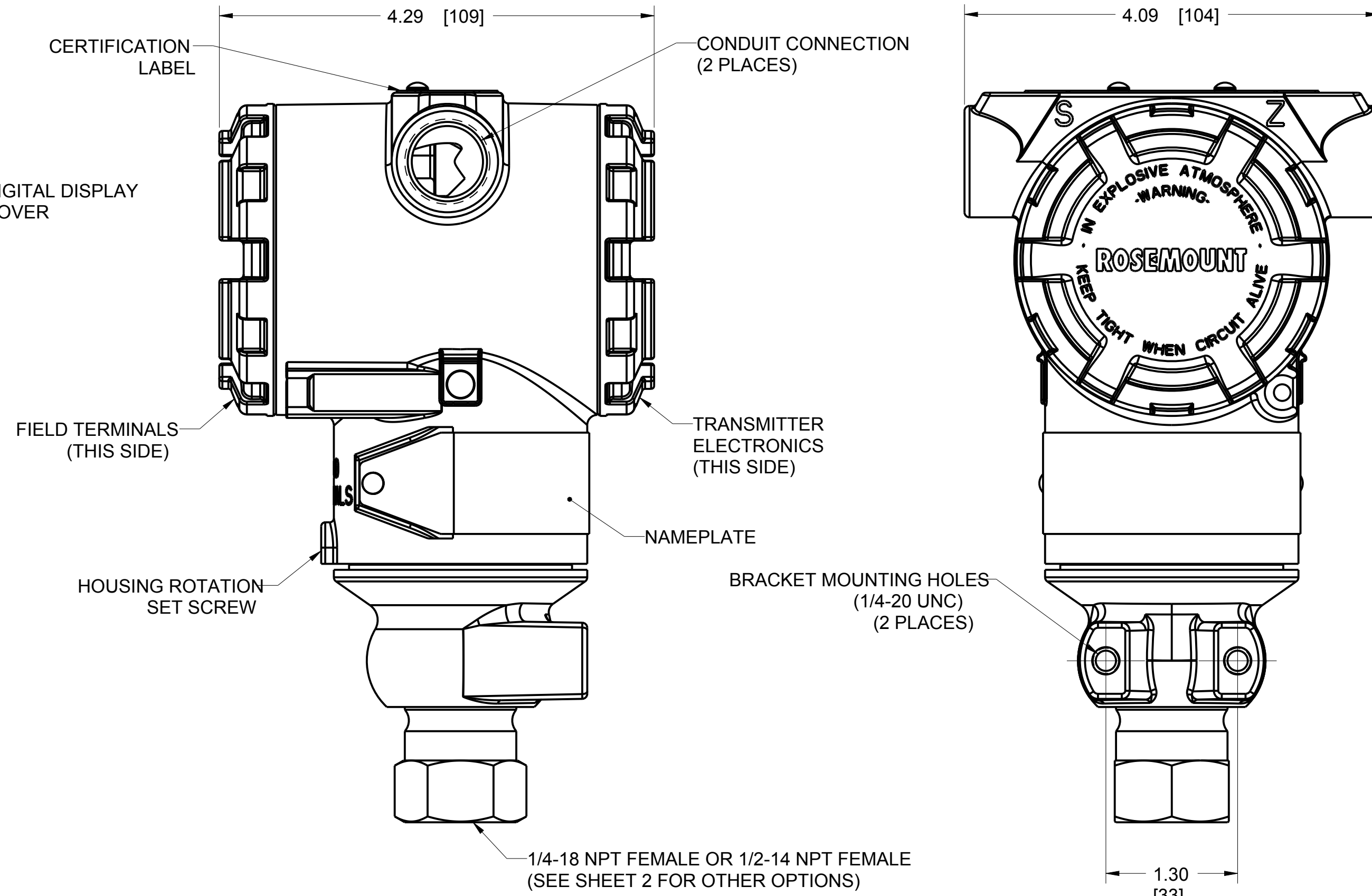
TAG NO. 03031-2097
 DRAWING NO.

ROSEMOUNT 3051T IN-LINE PRESSURE TRANSMITTER

SHOWN WITH OPTIONAL DIGITAL DISPLAY

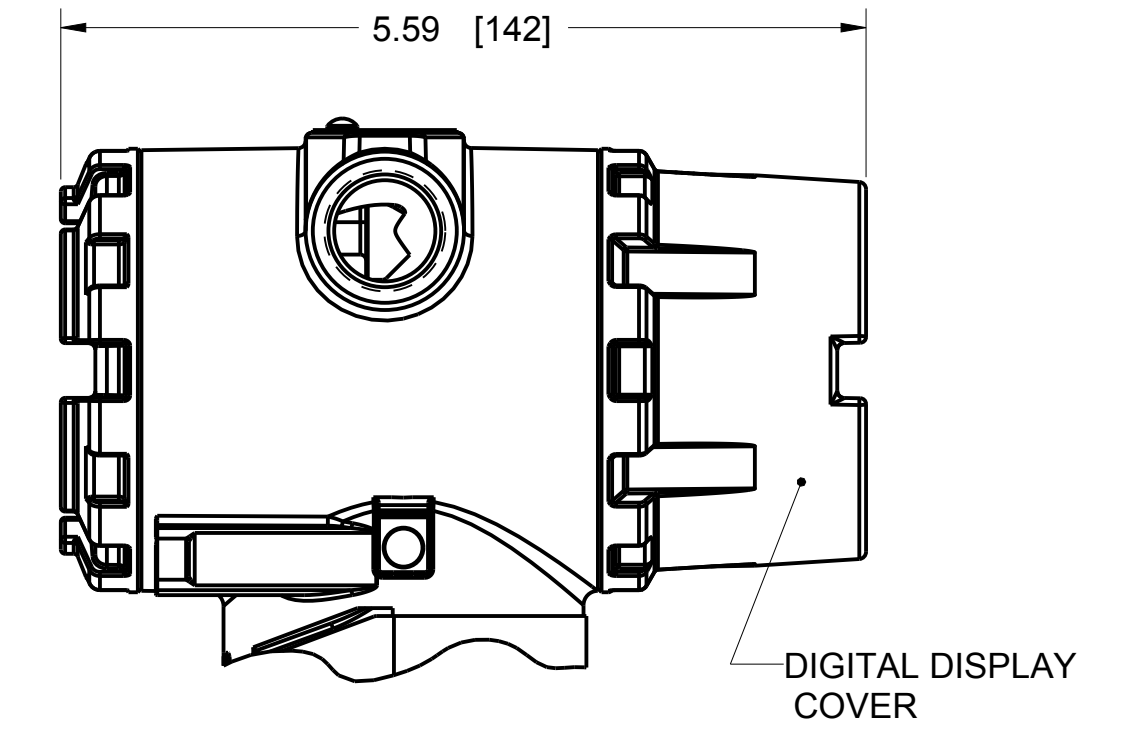


OUTPUT CODE (M) ALUMINUM/SST HOUSING

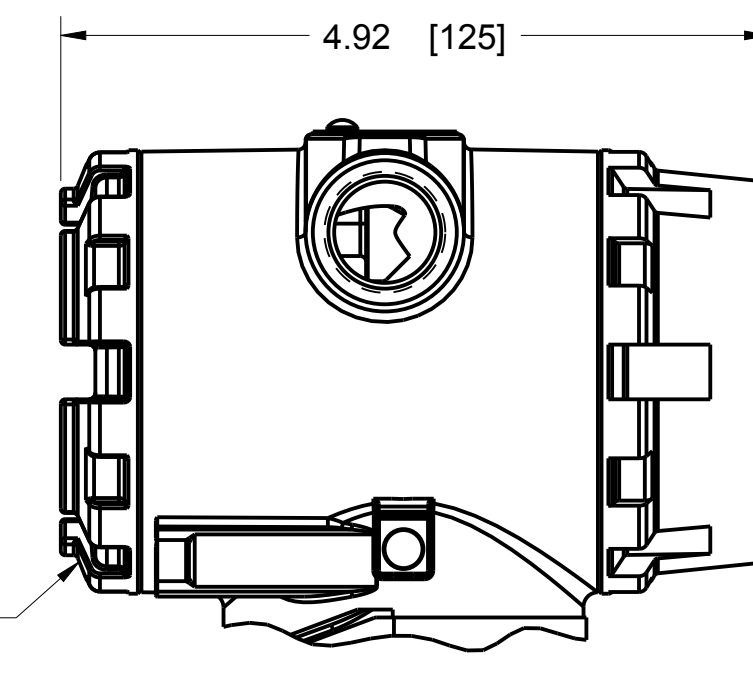


OUTPUT CODE (W) AND (F) (SEE NOTE 3)

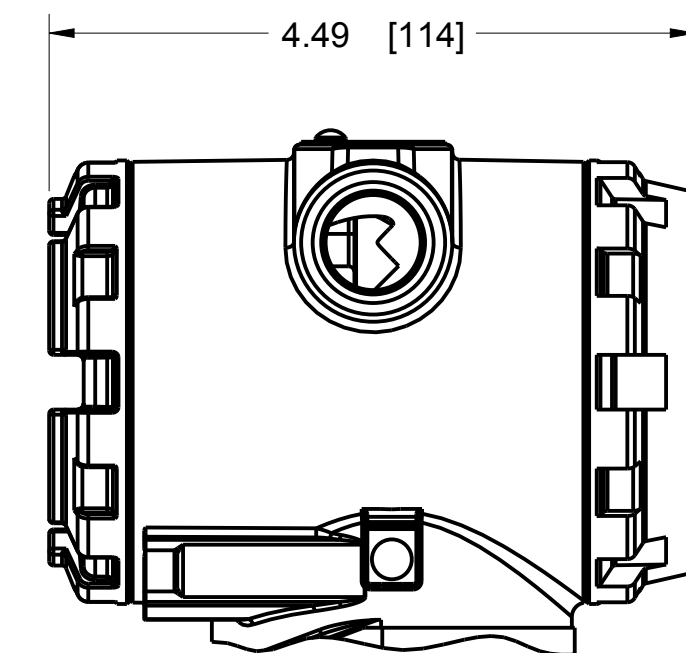
ALUMINUM/SST HOUSING
SHOWN WITH OPTIONAL DIGITAL DISPLAY



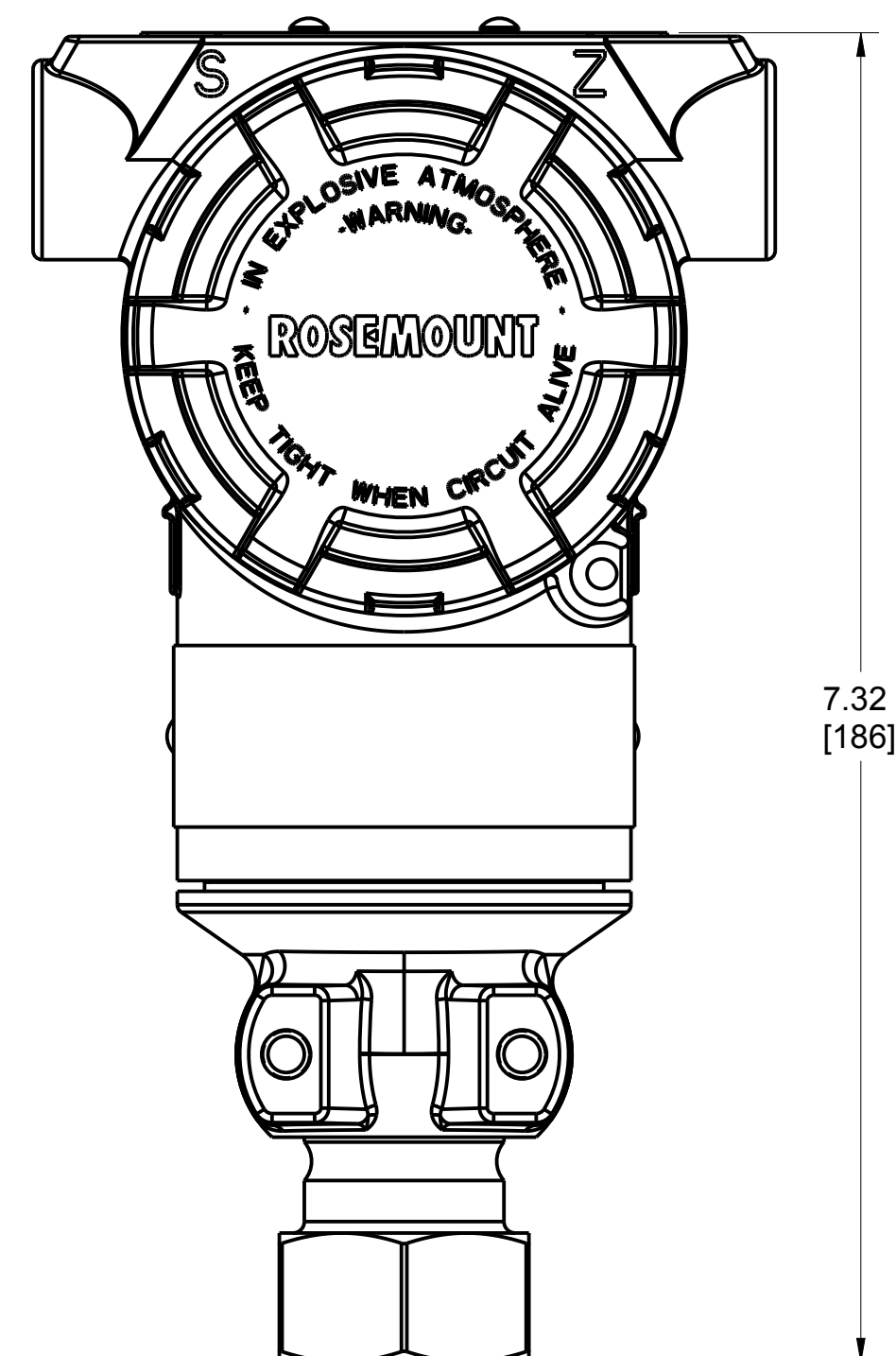
ALUMINUM HOUSING



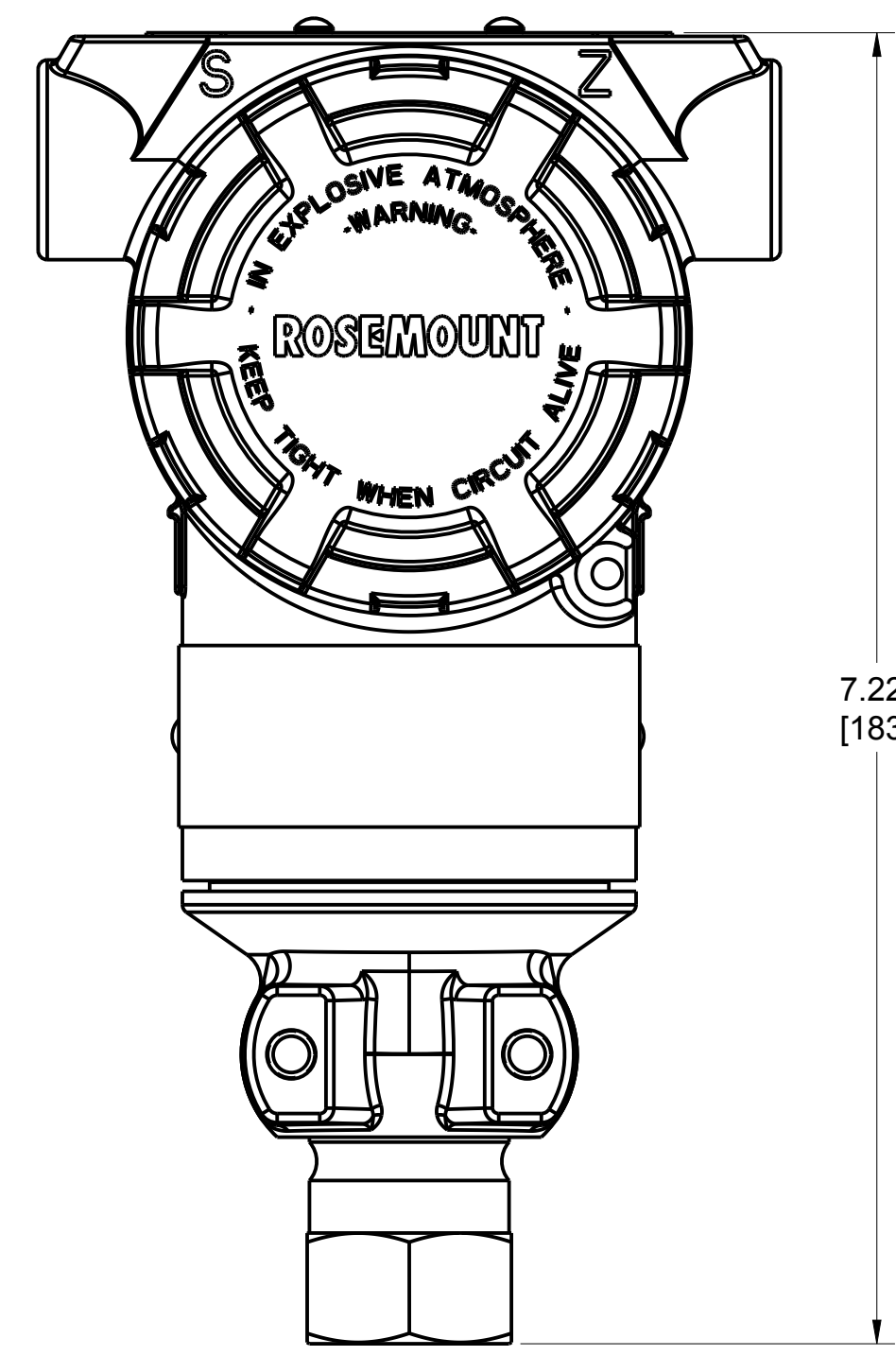
SST HOUSING



PRESSURE RANGE OPTION 5A



PRESSURE RANGE OPTION 1A-4A



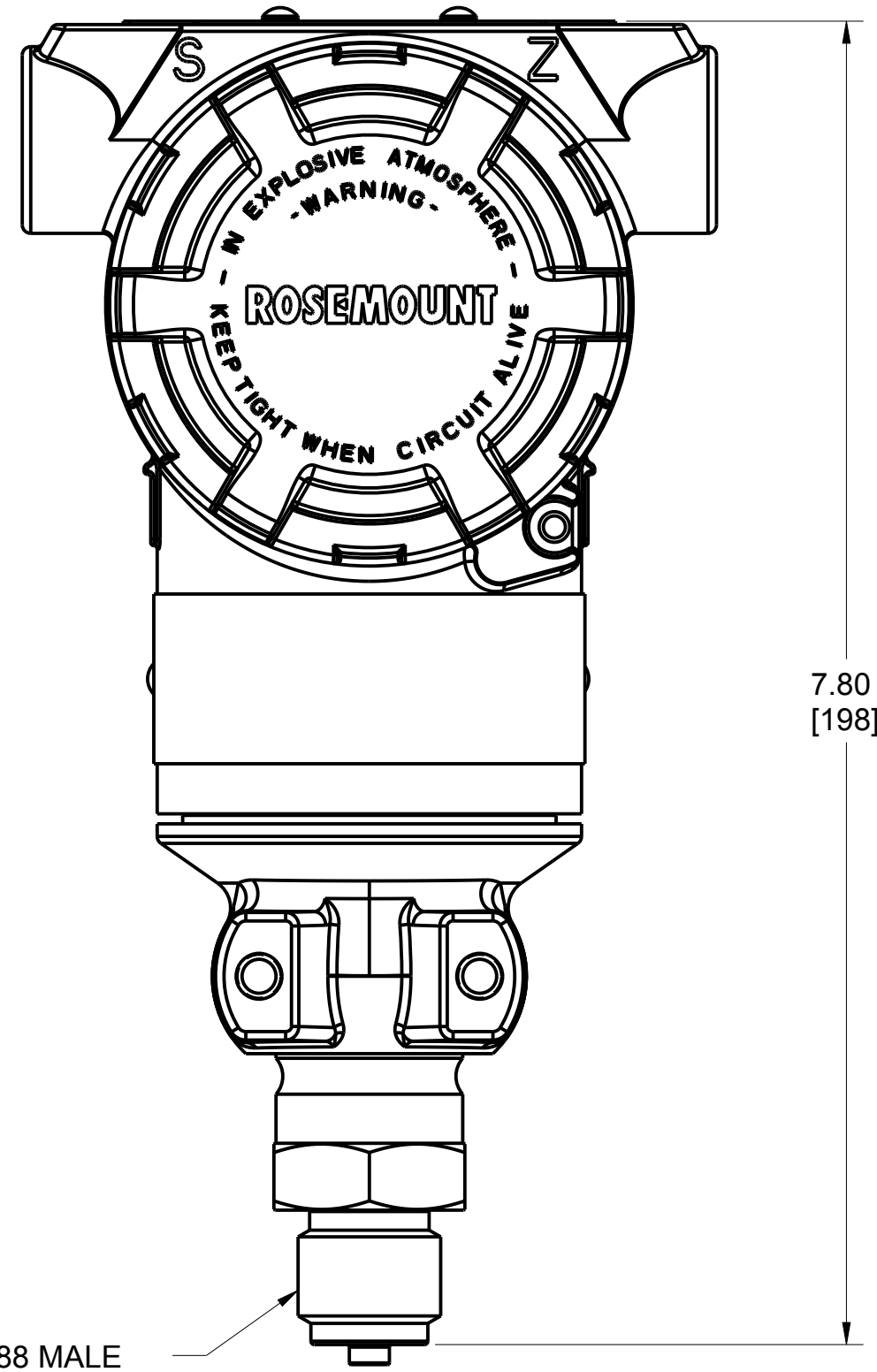
FIELD TERMINALS
(THIS SIDE)

<small>UNLESS OTHERWISE SPECIFIED DIMENSIONS AND TOLERANCES GOVERN OVER ALL DIMENSIONS AND TOLERANCES SHOWN HEREIN AND MUST BE HANDLED ACCORDINGLY. EMERSON</small>	CUSTOMER	<small>3RD ANGLE</small> <small>SIZE D 3/4</small> <small>SCALE AJ</small>			
	CUSTOMER DWG NO.				
	P.O. No.	***	TITLE	ROSEMOUNT 3051T IN-LINE PRESSURE TRANSMITTER	
	S.O. No.	***	PROJECT NAME	DR. JLA 7/23/14 DRAWING NO. 03031-2097	
<small>INFORMATION WITHIN THIS DOCUMENT IS UNCLASSIFIED EXCEPT WHERE SHOWN OTHERWISE. IT IS THE PROPERTY OF EMERSON AND IS NOT TO BE DISTRIBUTED OR REPRODUCED IN ANY MANNER WITHOUT THE WRITTEN PERMISSION OF EMERSON. NOTICE IS NOT INTENDED FOR ENGINEERING USE. REFERENCE TO THIS DOCUMENT FOR ENGINEERING INFORMATION.</small>		<small>APP'D</small> TOM WALLACE 7/23/14	<small>REV</small>	<small>DATE</small>	
DO NOT SCALE PRINT		CAD MAINTAINED, (PROE)	PRODUCT CODE	DOC TYPE	SHEET 7 OF 9

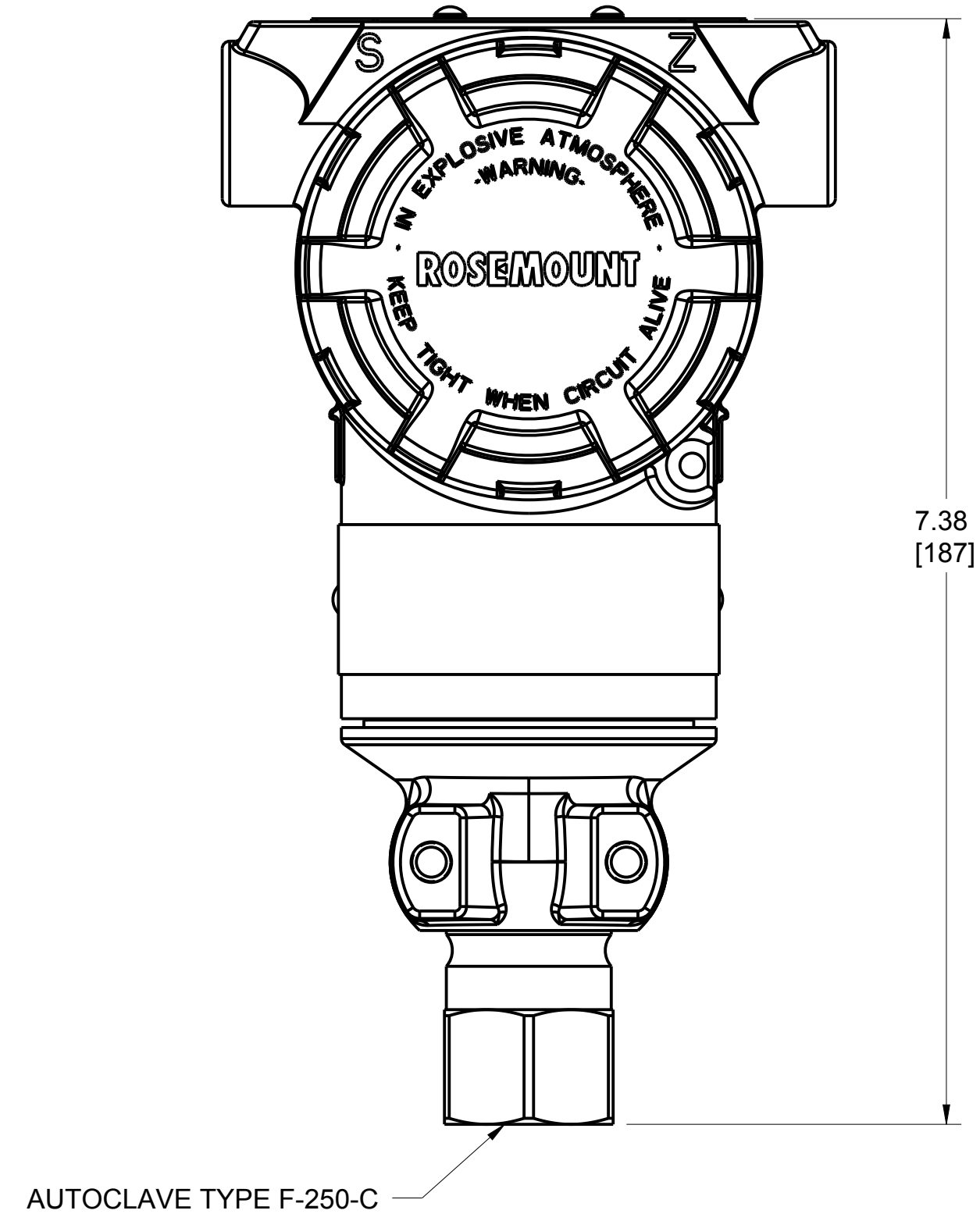
CAL. TAG NO. 03031-2097 DRAWING NO.

ROSEMOUNT 3051T IN-LINE PRESSURE TRANSMITTER

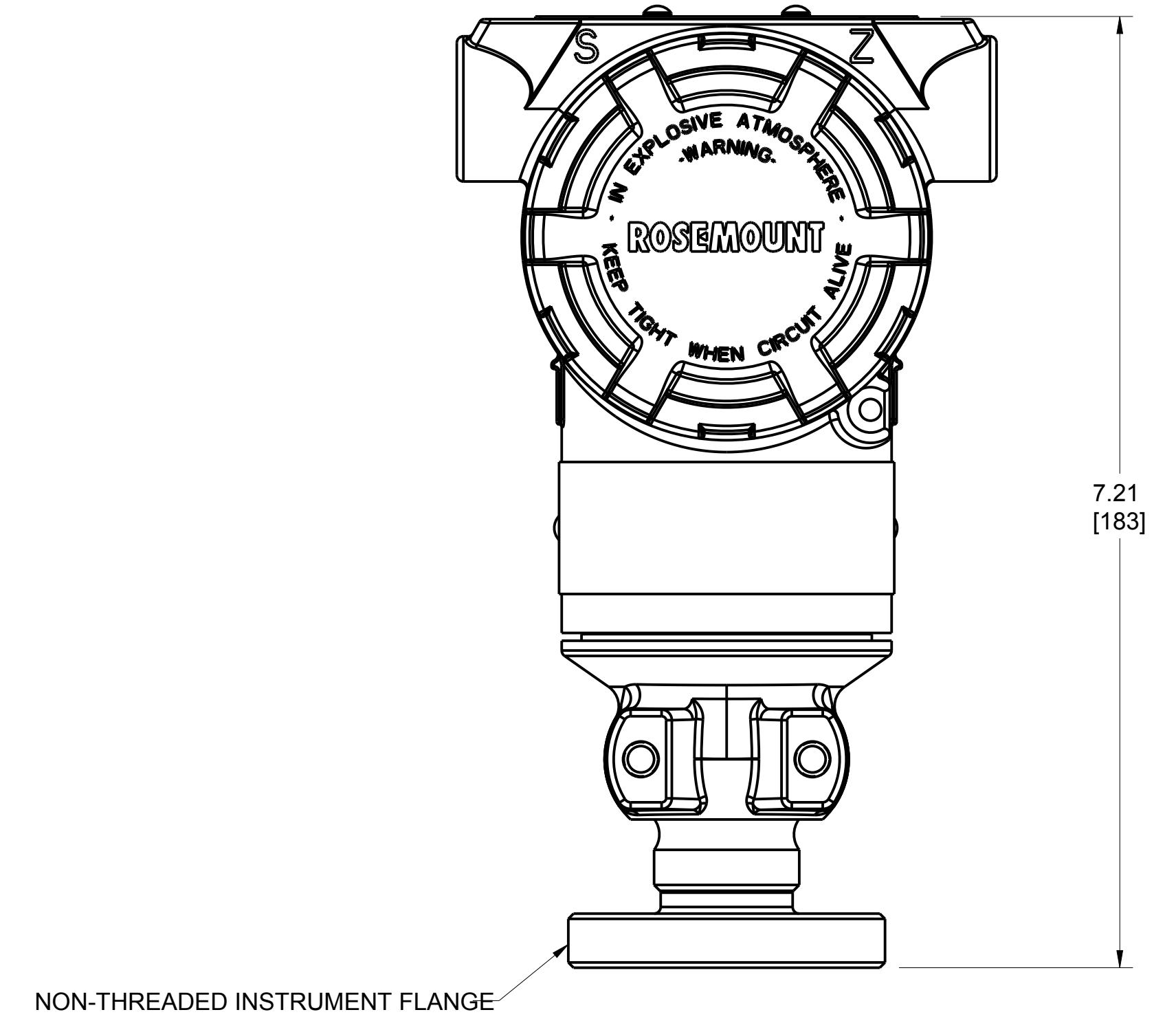
G 1/2 A DIN 16288 MALE
PROCESS CONNECTION



AUTOCLAVE TYPE F-250-C
PROCESS CONNECTION



NON-THREADED INSTRUMENT FLANGE
PROCESS CONNECTION



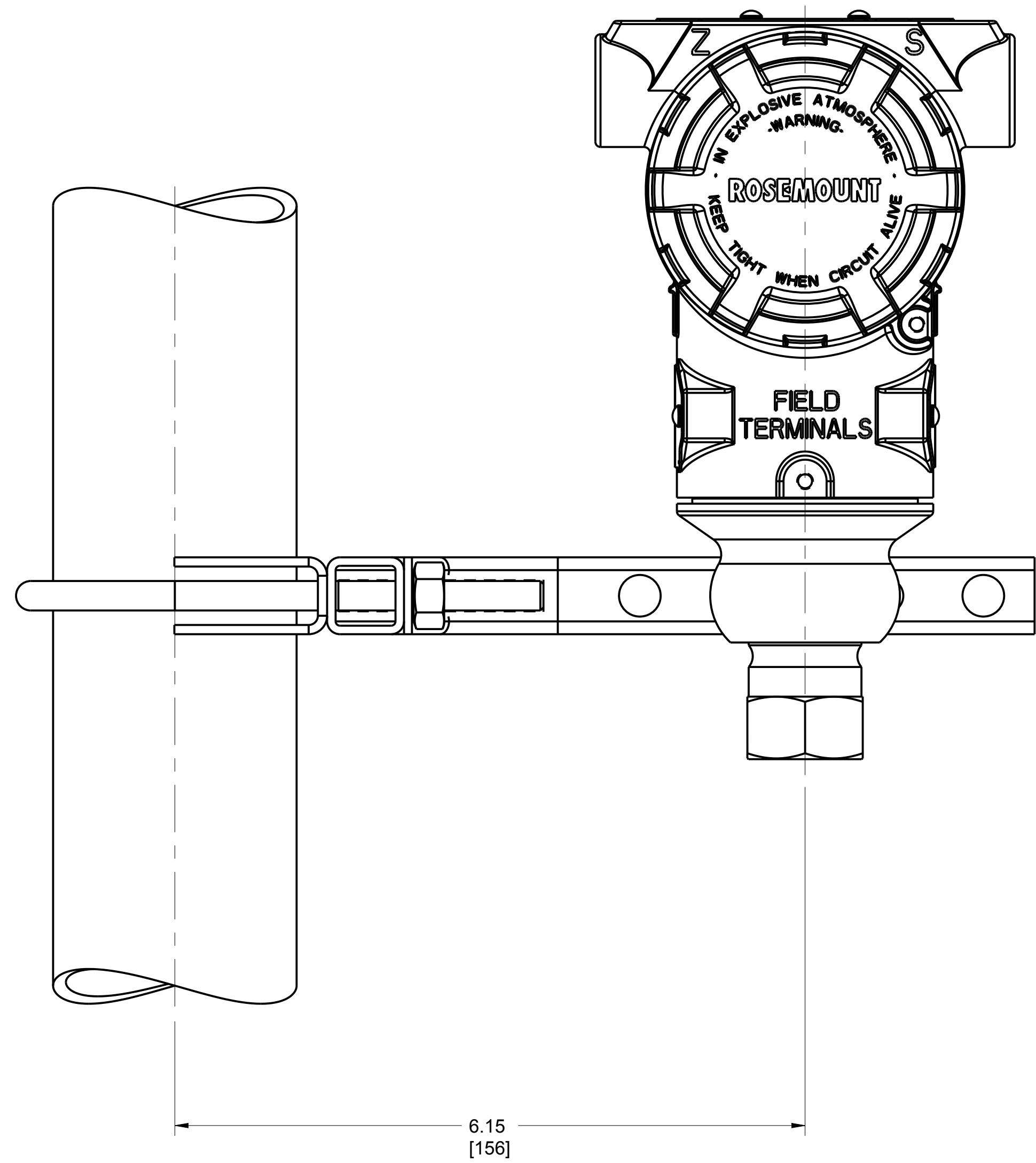
<small>UNLESS OTHERWISE SPECIFIED DIMENSIONS AND TOLERANCES CONFORM TO THE FIRST PART OF ASME Y14.5M-2018 UNLESS OTHERWISE SPECIFIED AND MUST BE HANDLED ACCORDINGLY. EMERSON</small>	CUSTOMER		3RD ANGLE	SIZE D	SCALE 1/1	REV AJ
	CUSTOMER DWG NO.					
	P.O. No.	***				
	S.O. No.	***				
PROJECT NAME		DR.	JLA	7/23/14	DRAWING NO.	
***		APP'D	OM WALLACE	7/23/14	03031-2097	
DO NOT SCALE PRINT		CAD MAINTAINED, (PRO/E)		PRODUCT CODE	DOC TYPE	SHEET 8 OF 9

DRAWING NO. 03031-2097
 TAG NO.
 CAL.

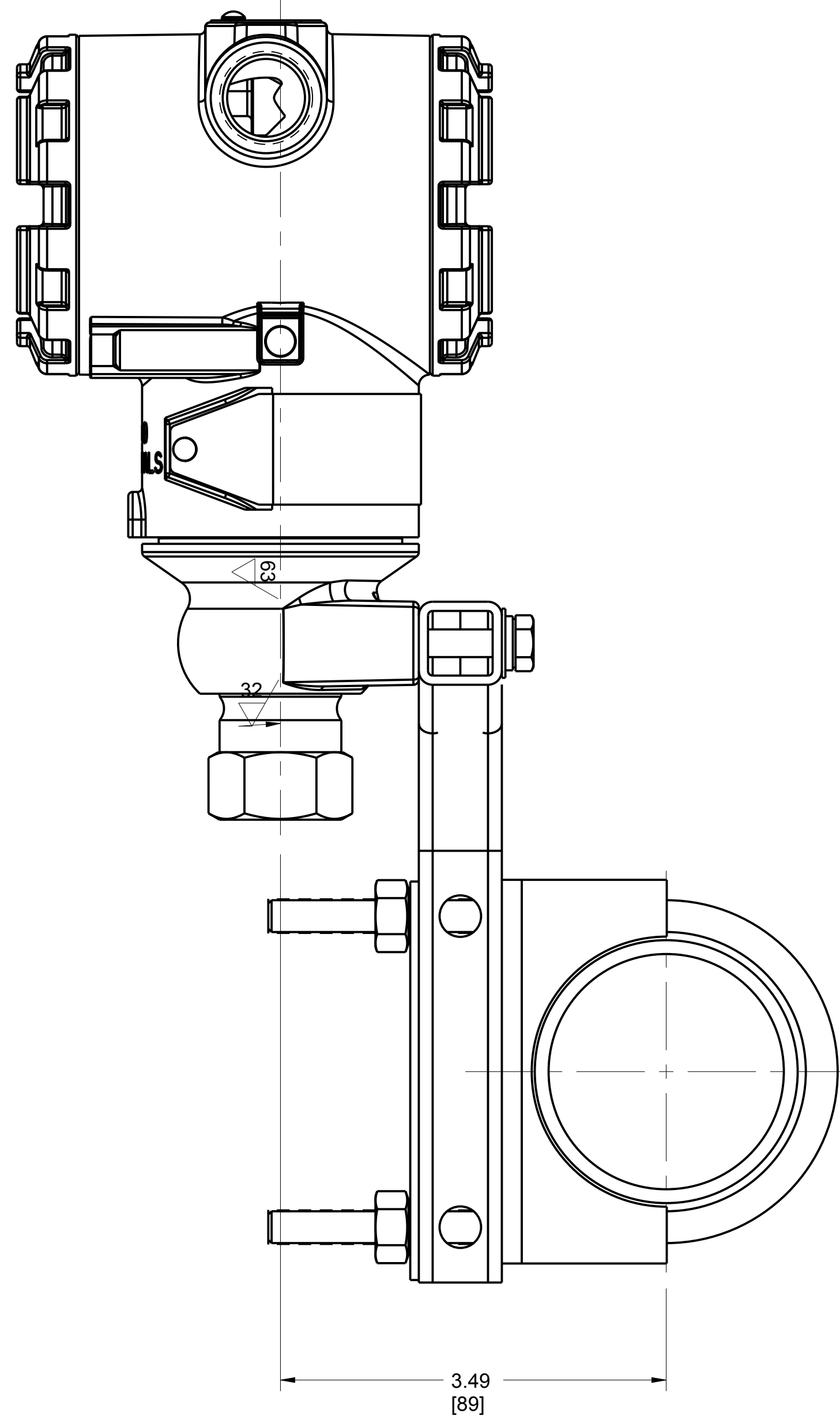
ROSEMOUNT 3051T IN-LINE PRESSURE TRANSMITTER MOUNTING CONFIGURATIONS WITH OPTIONAL MOUNTING BRACKET

PIPE MOUNTING

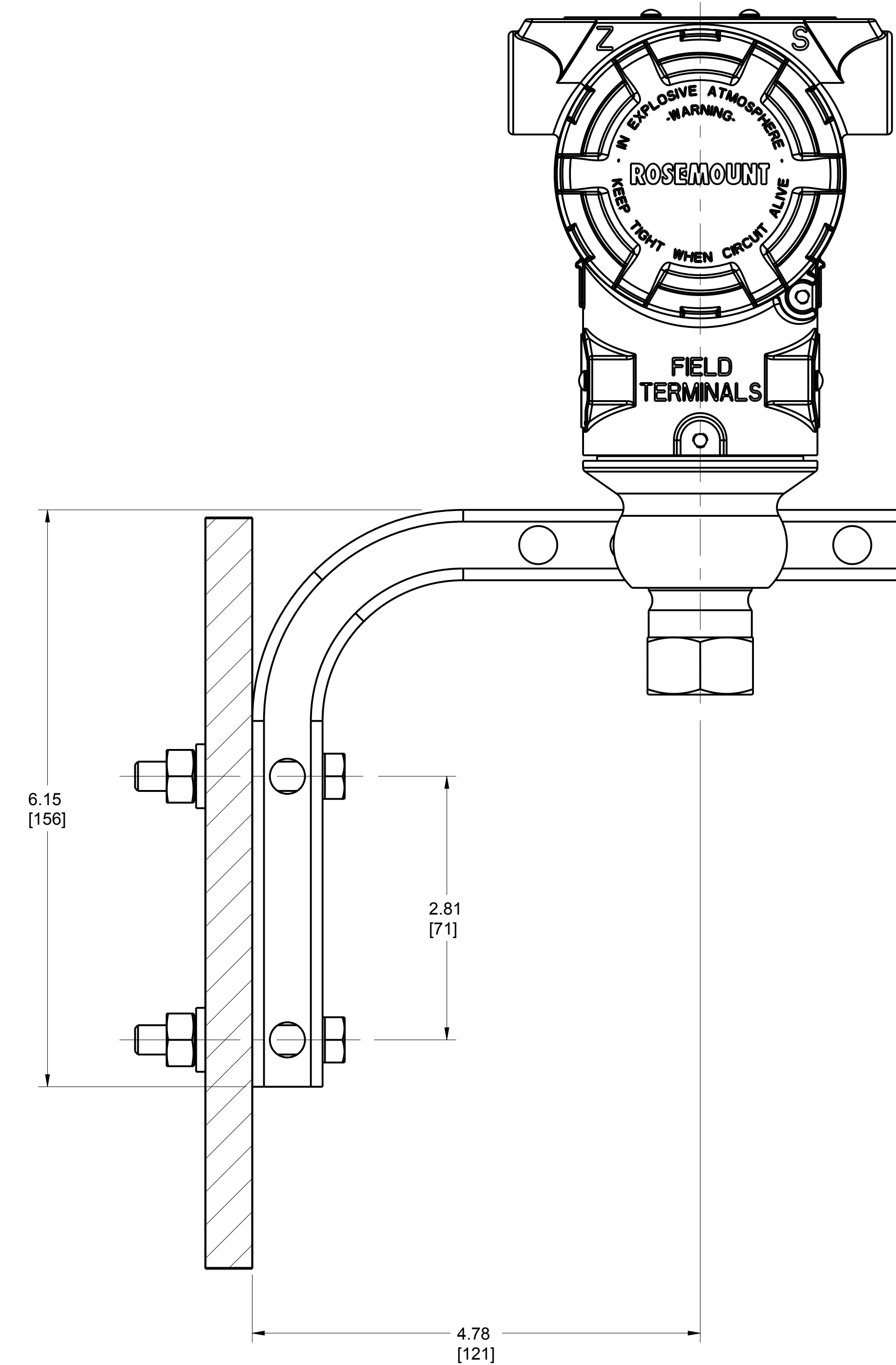
PANEL MOUNTING



6.15
[156]



3.49
[89]



6.15
[156]

2.81
[71]

4.78
[121]

2 INCH U-BOLT
FOR PIPE MOUNTING
(CLAMP SHOWN)

1/4 X 1 1/4 BOLTS
FOR TRANSMITTER MOUNTING

5/16-18 BOLTS
FOR PANEL MOUNTING
(NOT SUPPLIED)

1/4 X 1 1/4 BOLTS
FOR TRANSMITTER MOUNTING

<small>UNLESS OTHERWISE SPECIFIED DIMENSIONS AND TOLERANCES INFORMATION IS CONTAINED HEREIN AND MUST BE HANDLED ACCORDINGLY. EMERSON</small>	CUSTOMER	3RD ANGLE	SIZE D	SCALE 1/1	REV AJ
	CUSTOMER DWG NO.				
	P.O. No.	***	TITLE ROSEMOUNT 3051T IN-LINE PRESSURE TRANSMITTER		
	S.O. No.	***	PROJECT NAME DR. JLA 7/23/14 DRAWING NO. 03031-2097 APP'D TOM WALLACE 7/23/14		
DO NOT SCALE PRINT		CAD MAINTAINED, (PROE)	PRODUCT CODE	DOC TYPE	SHEET 9 OF 9

TAG NO. 03031-2097
 DRAWING NO.