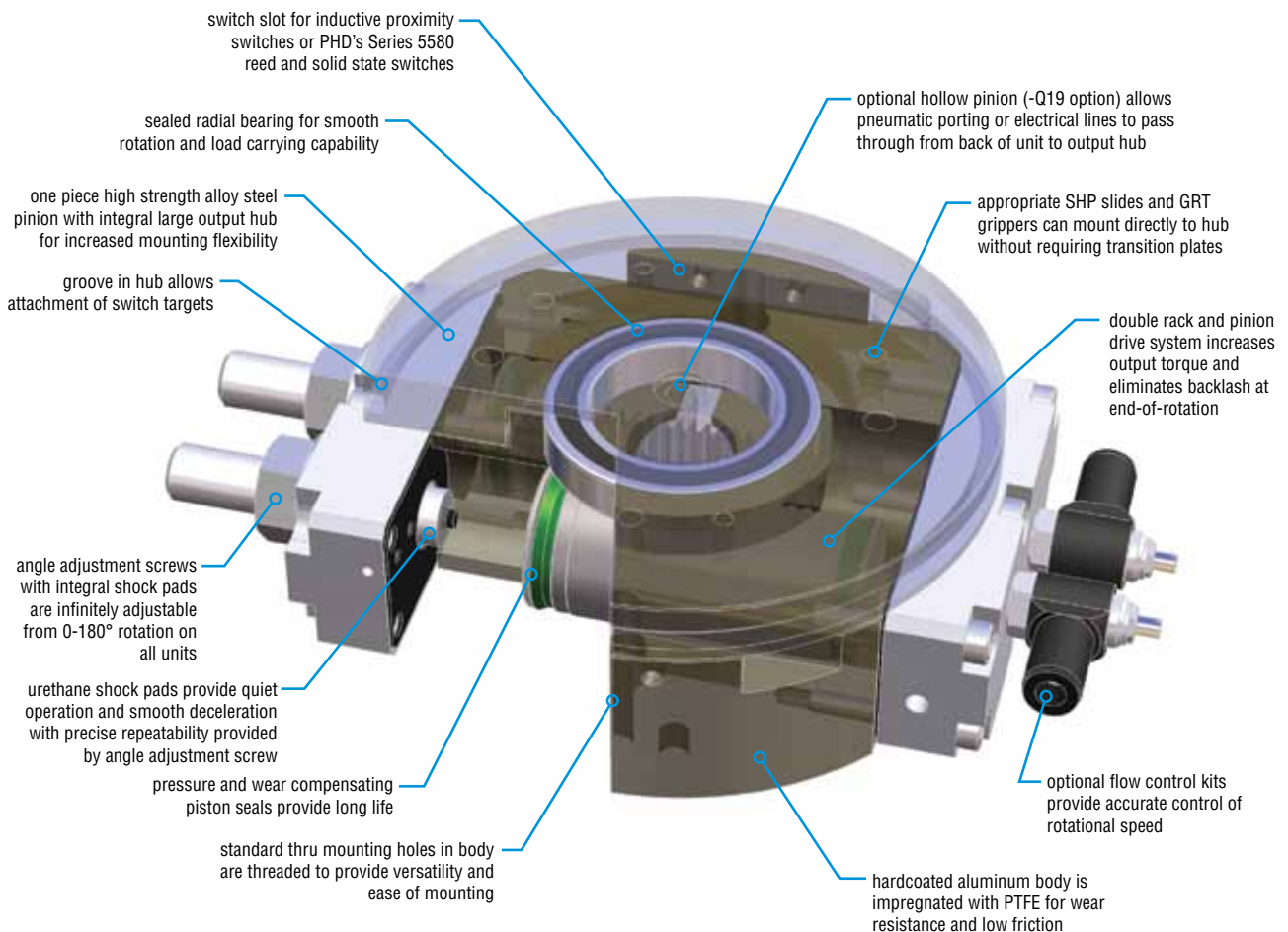




## LOW PROFILE PNEUMATIC ROTARY ACTUATOR

### Major Benefits

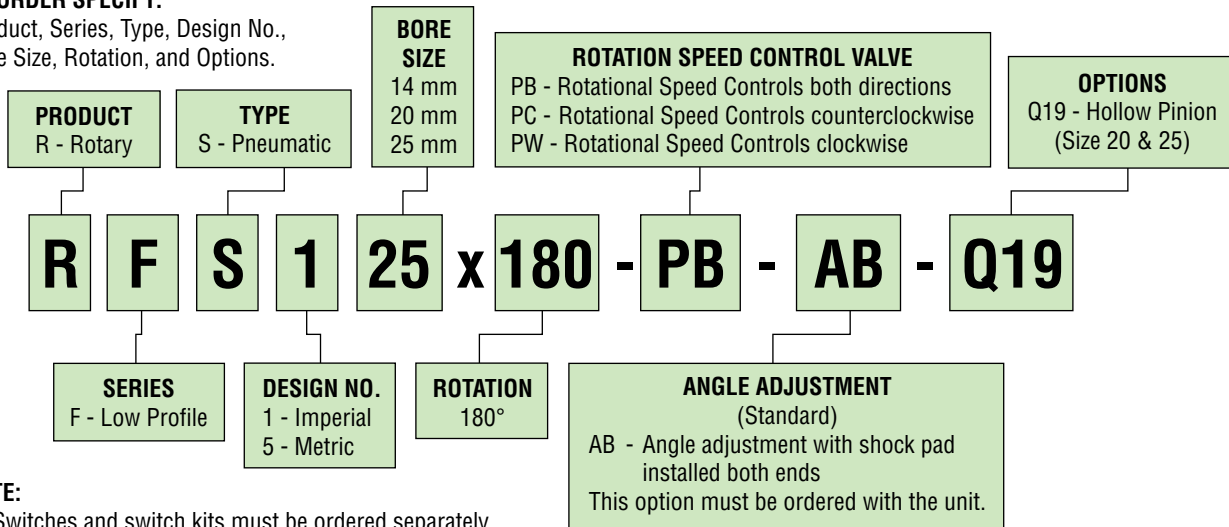
- Compact size
- Low profile
- One piece hub and piston assembly
- Fully adjustable stops
- Modular with Series SHP Slide and Series GRT Gripper



# ORDERING DATA: SERIES RF ROTARY ACTUATOR

## TO ORDER SPECIFY:

Product, Series, Type, Design No.,  
Bore Size, Rotation, and Options.



## NOTE:

1) Switches and switch kits must be ordered separately.

## ROTATION SPEED CONTROL REPLACEMENT KITS

UNIT	IMPERIAL NO.	METRIC NO.
RFSx14	70695-01	70696-01
RFSx20	70695-01	70696-01
RFSx25	70695-03	70696-03

NOTE: One Rotational Speed Control fitting per kit.



Options may affect unit length. See dimensional pages and option information details.



Refer to this product's online catalog in the product section for complete information including related dimensions and additional specifications. See link at bottom of this page.

## PROXIMITY SWITCH MOUNTING ADJUSTMENT KITS

UNIT SIZE	KIT NO.	SWITCH FASTENER SIZE	REQUIRED TORQUE SWITCH FASTENER		TARGET FASTENER SIZE	REQUIRED TORQUE TARGET FASTENER	
			in-lb	Nm		in-lb	Nm
14	69700	M3 x 0.5 x 4	5	0.6	M4 x 0.7	5	0.6
20	69700	M3 x 0.5 x 4	5	0.6	M4 x 0.7	5	0.6
25	69702	M3 x 0.5 x 14	10	1.1	M4 x 0.7	5	0.6

EACH SWITCH KIT CONTAINS THE FOLLOWING:

- 1 - TARGET ASSEMBLY W/MAGNET
- 1 - TARGET FASTENER
- 1 - SWITCH FASTENER

RFSx25 UNIT KITS ALSO INCLUDE:

- 1 - SWITCH BRACKET

## SERIES 5580 SOLID STATE SWITCHES

PART NO.	DESCRIPTION
55803-1-02	NPN 4.5 - 24 VDC with 2 meter cable
55804-1-02	PNP 4.5 - 24 VDC with 2 meter cable
55823-1	NPN 4.5 - 24 VDC with Quick Connect
55824-1	PNP 4.5 - 24 VDC with Quick Connect

## SERIES 5580 REED SWITCHES

PART NO.	DESCRIPTION
55802-1-02	NPN or PNP 4.5 - 24 VDC with 2 meter cable
55822-1	NPN or PNP 4.5 - 24 VDC with Quick Connect

## 6 mm SQUARE INDUCTIVE PROXIMITY SWITCHES

PART NO.	DESCRIPTION
18431-001-02	NPN with 2 meter cable
18431-002-02	PNP with 2 meter cable

## CORDSETS WITH QUICK CONNECT

PART NO.	LENGTH
63549-02	2 meter cable
63549-05	5 meter cable

NOTE: See Switches and Sensors section for additional switch information and complete specification. Switches must be ordered separately.



## CAD & Sizing Assistance

Use PHD's free online Product Sizing and CAD Configurator at [www.phdinc.com/myphd](http://www.phdinc.com/myphd)

# ENGINEERING DATA: SERIES RF ROTARY ACTUATOR

SPECIFICATIONS	SERIES RF
OPERATING PRESSURE	20 to 100 psi max [1.4 to 6.8 bar]
OPERATING TEMPERATURE	-20° to 160°F [-29° to 71°C]
RATED LIFE	5 million cycles
ROTATIONAL TOLERANCE	Nominal rotation +6° to -180° with angle adjustments
BACKLASH*	0° at end of rotation
LUBRICATION	Factory lubricated for rated life
MAINTENANCE	Field repairable

**NOTE:** \*Angle adjustment screw must be engaged or adjusted to achieve 0° backlash.

SIZE	ROTATION	BASE WEIGHT		BORE DIAMETER		DISPLACEMENT VOLUME/deg		THEORETICAL TORQUE OUTPUT		ROTATION RATES @ 80 psi MAXIMUM VELOCITY	
		lb	kg	in	mm	in <sup>3</sup>	mm <sup>3</sup>	in-lb/psi	Nm/bar	deg/sec	deg/sec
14	180°	.62	.28	.551	14	.001	.020	.07	.11	180°/0.35	90°/0.24
20	180°	1.88	.85	.787	20	.004	.070	.24	.40	180°/0.43	90°/0.26
25	180°	3.43	1.56	.984	25	.012	.191	.67	1.09	180°/0.37	90°/0.23

## BACKLASH AT MID-ROTATION

UNIT SIZE	± Degrees
14	2.80
20	1.38
25	0.82

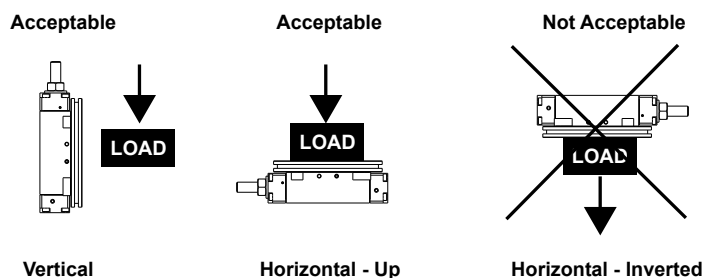
## BEARING LOADS TABLE

UNIT SIZE	MAX AXIAL BEARING LOAD		MAX RADIAL BEARING LOAD		MAXIMUM COMBINED RADIAL AND AXIAL PAYLOAD	
	lb	N	lb	N	lb	N
14	2.5	11	3.0	13	1.7	7.6
20	4.9	22	5.8	26	3.3	14.7
25	8.1	36	9.7	43	5.5	24.5

## Series RFS Application Unit Orientation Recommendation/Warning

The Series RFS Rotary Actuators are designed to be used with the rotary table in a horizontal – up attitude or with the rotary table in a vertical attitude as shown below. PHD does not recommend the Series RFS Rotary Actuators in applications where the rotary table is horizontal-inverted also shown below.

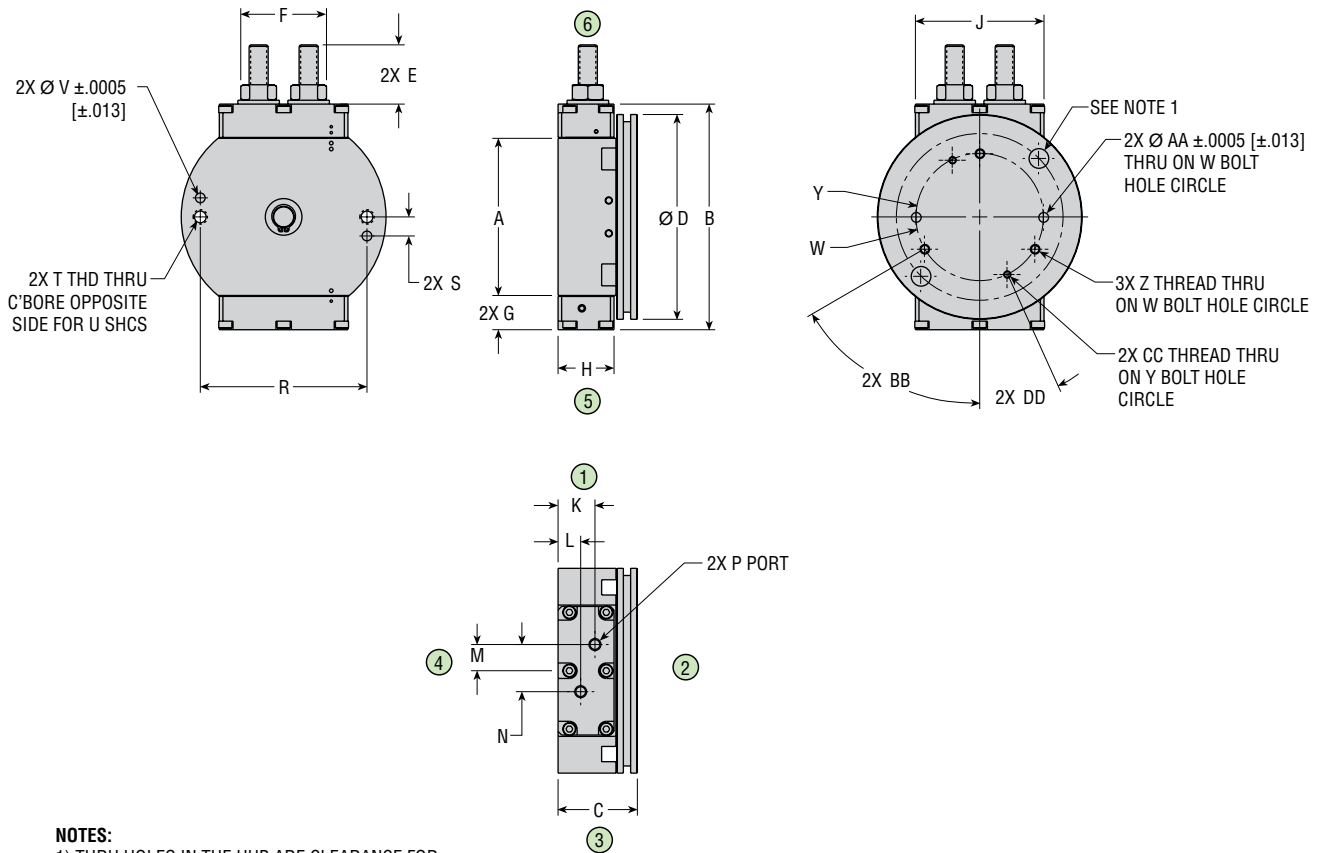
For applications requiring a horizontal-inverted rotary, contact PHD Unique Solutions for specifications of available units.



## Sizing & Application Assistance

Use PHD's free online Product Sizing Application or view the Product Sizing Catalog at: [www.phdinc.com/apps/sizing](http://www.phdinc.com/apps/sizing)

# DIMENSIONS: SERIES RF ROTARY ACTUATOR, SIZE 14 & 20



- NOTES:**
- 1) THRU HOLES IN THE HUB ARE CLEARANCE FOR SHCS MOUNTING OF THE UNIT FROM THE HUB SIDE
  - 2) NUMBERS IN CIRCLES INDICATE PORT POSITION
  - 3) OUTPUT HUB SHOWN AT MID-ROTATION POSITION

UNIT SIZE	LETTER DIMENSION																
	A	B	C	D	E	F	G	H	J	K	L	M	N	P	R	S	T
RFS114	1.713	2.541	.977	2.244	.546	1.059	.394	.669	1.417	.473	.197	.303	.606	10-32	1.772	.236	1/4-20
RFS514	[43.5]	[64.54]	[24.8]	[57.0]	[13.9]	[26.9]	[10.0]	[17.0]	[36.0]	[12.0]	[5.0]	[7.7]	[15.4]	[M5 x 0.8]	[45.0]	[6.0]	[M6 x 1.0]
RFS120	2.598	3.747	1.320	3.386	.979	1.418	.551	.925	2.126	.610	.374	.433	.780	10-32	2.756	.315	1/4-20
RFS520	[66.0]	[95.17]	[33.5]	[86.0]	[24.9]	[36.0]	[14.0]	[23.5]	[54.0]	[15.5]	[9.5]	[11.0]	[19.8]	[M5 x 0.8]	[70.0]	[8.0]	[M6 x 1.0]

UNIT SIZE	LETTER DIMENSION									
	U	V	W	Y	Z	AA	BB	CC	DD	
RFS114	#8	.1283	1.4940	1.7080	5-40	.1283	60°	5-40	26°	
RFS514	[M4]	[3.083]	[37.9]	[43.4]	[M3 x 0.5]	[3.08]	[60°]	[M3 x 0.5]	[26°]	
RFS120	#8	.1908	2.106	2.0960	8-32	.1283	60°	5-40	26°	
RFS520	[M4]	[4.089]	[53.5]	[53.2]	[M4 x 0.7]	[4.09]	[60°]	[M3 x 0.5]	[26°]	

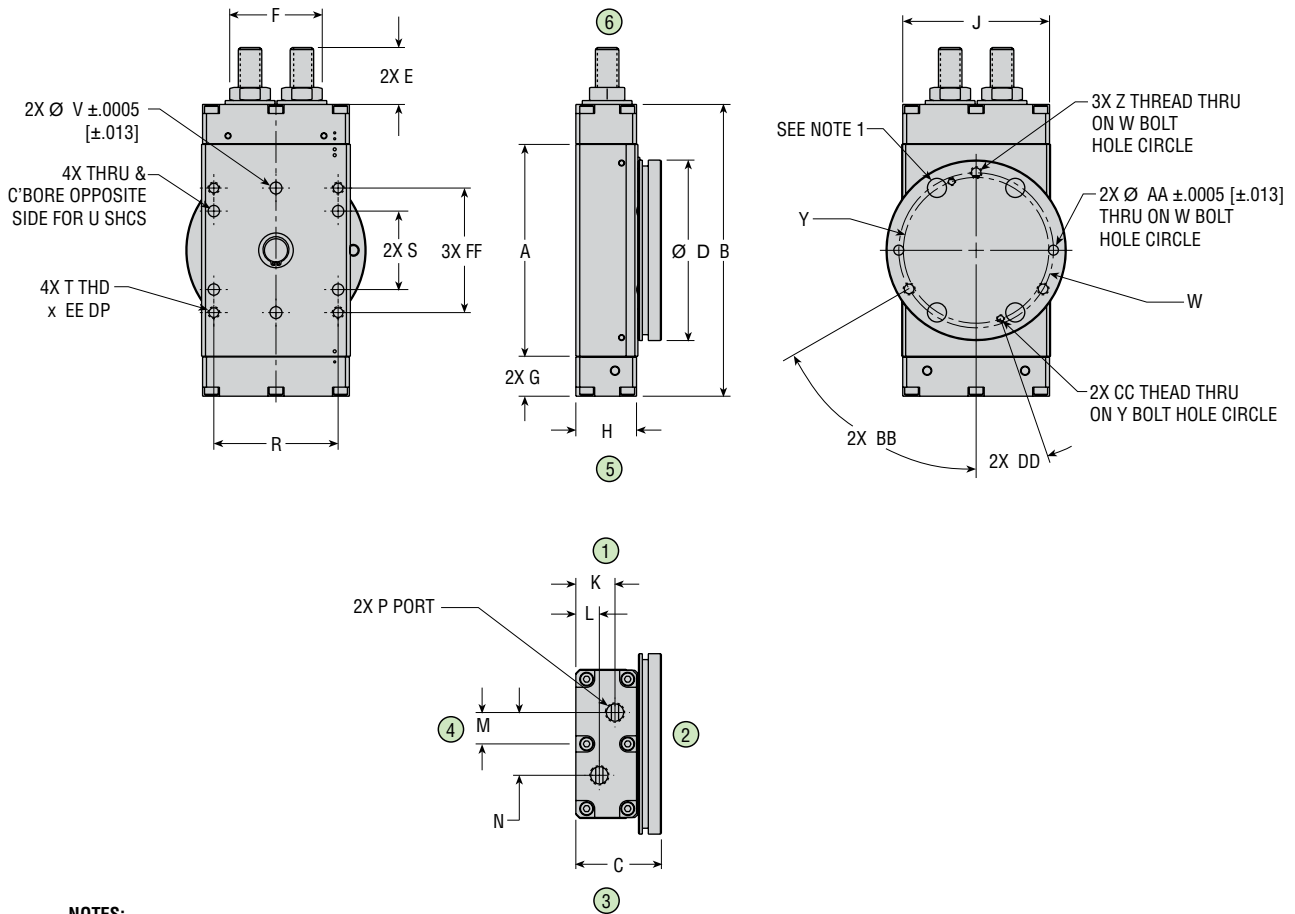
METRIC INFORMATION SHOWN IN [ ].



## CAD & Sizing Assistance

Use PHD's free online Product Sizing and CAD Configurator at [www.phdinc.com/myphd](http://www.phdinc.com/myphd)

# DIMENSIONS: SERIES RF ROTARY ACTUATOR, SIZE 25



- NOTES:**  
 1) THRU HOLES IN THE HUB ARE CLEARANCE FOR SHCS MOUNTING OF THE UNIT FROM THE HUB SIDE  
 2) NUMBERS IN CIRCLES INDICATE PORT POSITION  
 3) OUTPUT HUB SHOWN AT MID-ROTATION POSITION

UNIT SIZE	LETTER DIMENSION																
	A	B	C	D	E	F	G	H	J	K	L	M	N	P	R	S	T
RFS125	4.252	5.872	1.728	3.622	1.137	1.870	.787	1.220	2.953	.787	.472	.630	1.260	1/8 NPT	2.500	1.575	1/4-20
RFS525	[108.0]	[149.15]	[43.9]	[92.0]	[28.9]	[47.5]	[20.0]	[31.0]	[75.0]	[20.0]	[12.0]	[16.0]	[32.0]	[1/8 BSPP]	[63.5]	[40.0]	[M6 x 1.0]

UNIT SIZE	LETTER DIMENSION										
	U	V	W	Y	Z	AA	BB	CC	DD	EE	FF
RFS125	#10	.2533	3.110	2.926	1/4-20	.2533	60°	6-32	20°	.433	2.500
RFS525	[M5]	[6.088]	[79.0]	[74.3]	[M6 x 1.0]	[5.09]	[60°]	[M4 x 0.7]	[20°]	[11.0]	[63.5]

METRIC INFORMATION SHOWN IN [ ].



## CAD & Sizing Assistance

Use PHD's free online Product Sizing and CAD Configurator at [www.phdinc.com/myphd](http://www.phdinc.com/myphd)

# OPTIONS: SERIES RF ROTARY ACTUATOR

**PB** ROTATION SPEED CONTROL BOTH DIRECTIONS

**PC** ROTATION SPEED CONTROL COUNTERCLOCKWISE DIRECTION

**PW** ROTATION SPEED CONTROL CLOCKWISE DIRECTION

The PHD Series RF Rotary Actuators offer optional external compact flow control fittings for adjusting output hub rotation speed. The speed of the hub is controlled by regulating the cylinder exhaust. The control fittings are unidirectional flow control valves where intake air flows freely through the flow control and exhaust is metered out through an adjustment screw. Intake capacity is slightly greater than the full open exhaust capacity, enabling maximum variation of hub rotation speed.

The PHD Series RF flow control fittings are mounted directly to the caps and provide an integral tube fitting connection. They also swivel 360° around the ports, providing easy installation of tubing.

**NOTE:** Flow control fitting is effective between 15 to 100 psi [1.0 to 7.0 bar] and from 5° to 160°F [-15° to 71.1°C].

RF



Options may affect unit length. See dimensional pages and option information details.



Refer to this product's online catalog in the product section for complete information including related dimensions and additional specifications. See link at bottom of this page.

**AB** ANGLE ADJUSTMENTS WITH SHOCK PAD INSTALLED BOTH ENDS (STANDARD)

The angle adjustment screw has a standard shock pad providing energy dissipation, accurate mechanical repeatability, and quiet actuator operation at end of rotation.

The standard rotation for Series RF is 180 degrees. The mechanical stop provides an adjustment range of 90 degrees from each end of rotation. The ability to adjust over this wide range eliminates the need to order special units with specific angles of rotation.

See PHD Product Sizing Catalog for details on the stopping capacity of the installed angle adjustment with shock pad. Reference the Angle Adjust Specifications Chart for nominal effective angle of rotation in each direction.

**Q19** OUTPUT HUB WITH HOLLOW PINION (sizes 20 & 25 only)

This option provides a hole through the standard output hub and pinion shaft for feeding pneumatic or electrical lines from the back of the rotary actuator to the output hub. The hub has the same mounting as the standard unit. A port is provided on the bottom of the pinion shaft and an o-ring interface on the face of the output hub.

# ACCESSORIES: SERIES RF ROTARY ACTUATOR

## PROXIMITY SWITCH KIT

This accessory provides for the mounting of a 6 mm square, PHD Series 5580 solid state switch, or PHD 18431 inductive proximity switch. One switch mounting kit is required per switch, with the typical application requiring two kits. The kit includes a switch target as well as the required mounting hardware.

The Series RF body accepts two proximity switches, which are easily mounted on the actuator using the switch slots in the sides of the body.

The switch targets mount in the groove around the output hub OD. The switch target has a magnet on one side for use with the Series 5580 switch and is to be installed with the magnet toward the switch face. If the Series 18431 switch is used, the magnet should be installed away from the switch face.

Proximity switches are ordered separately, see Switches and Sensors section for complete switch specifications.

# ACCESSORIES: SERIES RF ROTARY ACTUATOR

## GRT MOUNTING KIT

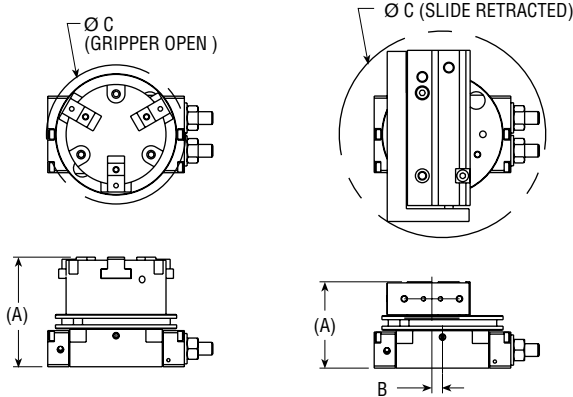
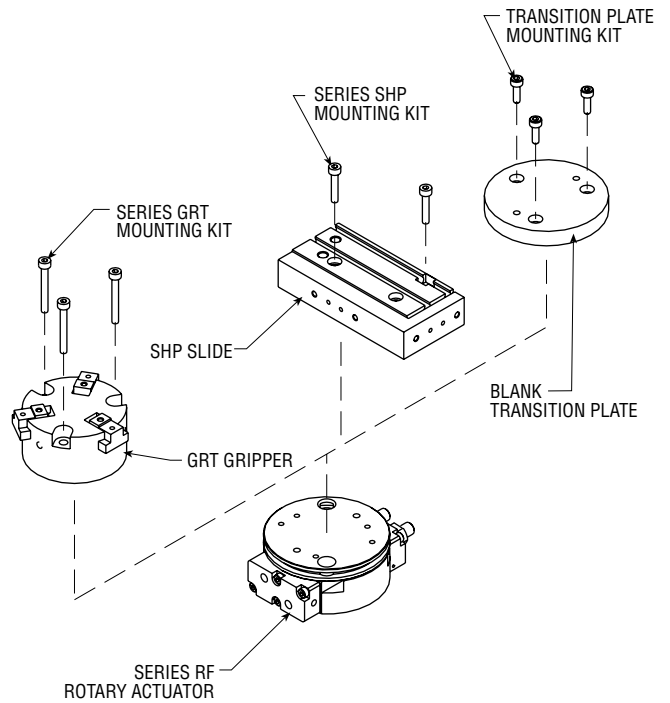
The PHD Series RF Rotary Actuator features a mounting hole pattern that directly connects specific sizes of the PHD Series GRT Gripper to the hub. This mounting kit provides the necessary mounting hardware for mounting a Series GRT Gripper onto a Series RF Rotary Actuator.

## SHP MOUNTING KIT

The PHD Series RF Rotary Actuator features a mounting hole pattern that directly connects specific sizes of the PHD Series SHP Slides to the hub. This mounting kit provides the necessary mounting hardware for mounting a Series SHP Slide to a Series RF Rotary Actuator.

## BLANK TRANSITION PLATE MOUNTING KIT

This accessory provides for the mounting of devices other than PHD Series GRT Grippers and Series SHP Slides to the Series RF Rotary Actuator. The kit includes an anodized, 6061-T6 aluminum, transition plate, pre-drilled to mount to the rotary actuator hub, along with the associated mounting hardware. The mounting holes for the secondary unit are to be machined by the customer.



**GRT DIMENSIONS**

UNIT SIZE	LETTER DIMENSION	
	A	Ø B
RFS114	2.038	2.132
RFS514	[51.8]	[54.2]
RFS120	2.756	2.792
RFS520	[70.0]	[70.9]
RFS125	3.696	3.898
RFS525	[93.9]	[99.0]

**SHP DIMENSIONS**

UNIT SIZE	LETTER DIMENSION		
	A	B	Ø C
RFS114	1.607	.197	3.823
RFS514	[40.8]	[5.0]	[97.1]
RFS120	2.107	.039	4.733
RFS520	[53.5]	[1.0]	[120.2]
RFS125	2.712	.433	5.835
RFS525	[68.9]	[11.0]	[148.2]

METRIC INFORMATION SHOWN IN [ ].

**CUSTOMER SUPPLIED DOWEL PINS**

UNIT SIZE	SERIES GRT GRIPPER PIN SIZE	SERIES SHP SLIDE PIN SIZE	BLANK TRANSITION PLATE PIN SIZE
RFS114	Ø 1/8 x 3/8	—	Ø 1/8 x 1/2
RFS514	[Ø 3 x 12]	—	[Ø 3 x 14]
RFS120	Ø 3/16 x 5/8	—	Ø 3/16 x 3/4
RFS520	[Ø 4 x 16]	—	[Ø 4 x 18]
RFS125	Ø 1/4 x 3/4	—	Ø 1/4 x 3/4
RFS525	[Ø 6 x 20]	—	[Ø 6 x 20]

**GRT MOUNTING KIT**

UNIT SIZE	KIT NO.	SERIES GRT GRIPPER UNIT SIZE	FASTENER SIZE	REQUIRED TORQUE	
				in-lb	Nm
RFS114	69726	GRT112	5-40 x 1	20	[2.3]
RFS514	69741	GRT512	[ M3 x 0.5 x 25 ]	20	[2.3]
RFS120	69727	GRT122	8-32 x 1 1/8	40	[4.5]
RFS520	69742	GRT522	[ M4 x 0.7 x 30 ]	40	[4.5]
RFS125	69728	GRT142	1/4-20 x 1 5/8	140	[15.8]
RFS525	69743	GRT542	[ M6 x 1.0 x 40 ]	140	[15.8]

**SHP MOUNTING KIT**

UNIT SIZE	KIT NO.	SERIES SHP SLIDE UNIT SIZE	FASTENER SIZE	REQUIRED TORQUE	
				in-lb	Nm
RFS114	69703	SHP108 x 40	5-40 x 5/8	20	[2.3]
RFS514	69706	SHP508 x 40	[ M3 x 0.5 x 16 ]	20	[2.3]
RFS120	69704	SHP112 x 40	5-40 x 7/8	20	[2.3]
RFS520	69707	SHP512 x 40	[ M3 x 0.5 x 20 ]	20	[2.3]
RFS125	69705	SHP116 x 55	6-32 x 1	40	[4.5]
RFS525	69708	SHP516 x 55	[ M4 x 0.7 x 30 ]	40	[4.5]

**BLANK TRANSITION PLATE MOUNTING KIT**

UNIT SIZE	KIT NO.	BLANK TRANSITION PLATE NO.	TRANSITION PLATE SIZE	FASTENER SIZE	REQUIRED TORQUE	
					in-lb	Nm
RFS114	69729	69721-1	.312 x Ø 2.205	5-40 x 3/8	20	[2.3]
RFS514	69732	69721-5	[7.9 x Ø 56.0]	[M3 x 0.5 x 10]	20	[2.3]
RFS120	69730	69722-1	.433 x Ø 3.346	8-32 x 1/2	40	[4.5]
RFS520	69733	69722-5	[11.0 x Ø 85.0]	[M4 x 0.7 x 12]	40	[4.5]
RFS125	69731	69723-1	.500 x Ø 3.583	1/4-20 x 5/8	140	[15.8]
RFS525	69734	69723-5	[12.7 x Ø 91.0]	[M6 x 1.0 x 16]	140	[15.8]

METRIC INFORMATION SHOWN IN [ ].

All dimensions are reference only unless specifically toleranced.





# OPTIONS: SERIES RF ROTARY ACTUATOR

**PB** ROTATION SPEED CONTROL  
BOTH DIRECTIONS

**PC** ROTATION SPEED CONTROL  
COUNTERCLOCKWISE DIRECTION

**PW** ROTATION SPEED CONTROL  
CLOCKWISE DIRECTION

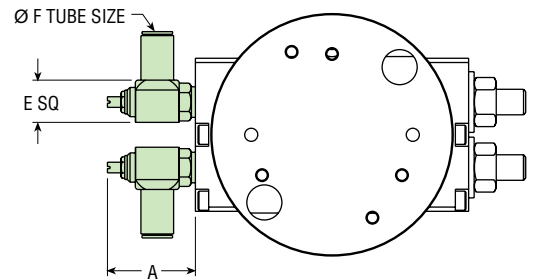
The PHD Series RF Rotary Actuators offer optional external compact flow control fittings for adjusting output hub rotation speed. The speed of the hub is controlled by regulating the cylinder exhaust. The control fittings are unidirectional flow control valves where intake air flows freely through the flow control and exhaust is metered out through an adjustment screw. Intake capacity is slightly greater than the full open exhaust capacity, enabling maximum variation of hub rotation speed.

The PHD Series RF flow control fittings are mounted directly to the caps and provide an integral tube fitting connection. They also swivel 360° around the ports, providing easy installation of tubing. Rotational velocities are adjusted and maintained by the captivated fine adjustment screw with a locking nut to ensure precise velocity control and repeatability in output hub rotation speed.

**NOTE:** Flow control fitting is effective between 15 to 100 psi [1.0 to 7.0 bar] and from 5° to 160°F [-15° to 71.1°C].

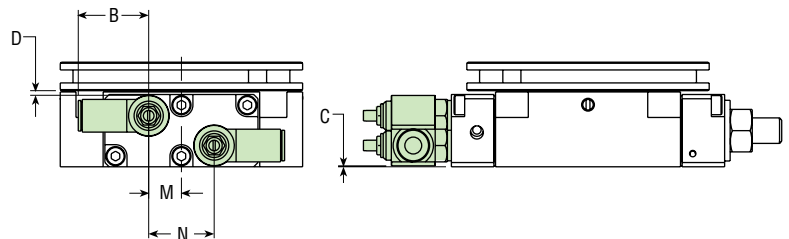
UNIT SIZE	LETTER DIMENSION							
	A	B	C	D	E	Ø F	M	N
RFS114	.984	.827	.015	.035	.394	.156	.303	.606
RFS514	[25.0]	[21.0]	[0.4]	[0.9]	[10.0]	[4.0]	[7.7]	[15.4]
RFS120	.984	1.043	.136	.156	.394	.156	.433	.780
RFS520	[25.0]	[26.5]	[3.5]	[4.0]	[10.0]	[4.0]	[11.0]	[19.8]
RFS125	1.614	1.043	.089	.109	.650	.250	.630	1.26
RFS525	[41.0]	[26.5]	[2.3]	[2.8]	[16.5]	[6.4]	[16.0]	[32.0]

METRIC INFORMATION SHOWN IN [ ].



UNIT SIZE	ROTATION SPEED CONTROL REPLACEMENT KIT NO.	
	IMPERIAL	METRIC
RFSx14 and RFSx20	70695-01	70696-01
RFSx25	76095-03	70696-03

1 KIT REQUIRED PER END OF ADJUSTMENT DESIRED  
**NOTE:** ONE FLOW CONTROL FITTING PER KIT



RF

All dimensions are reference only unless specifically toleranced.

[www.phdinc.com/rf](http://www.phdinc.com/rf) • (800) 624-8511

# OPTIONS: SERIES RF ROTARY ACTUATOR



## ANGLE ADJUSTMENTS WITH SHOCK PAD INSTALLED BOTH ENDS (STANDARD)

The angle adjustment screw has a standard shock pad providing energy dissipation, accurate mechanical repeatability, and quiet actuator operation at end of rotation.

The standard rotation for Series RF is 180 degrees. The mechanical stop provides an adjustment range of 90 degrees from each end of rotation. The ability to adjust over this wide range eliminates the need to order special units with specific angles of rotation.

See PHD Product Sizing Catalog for details on the stopping capacity of the installed angle adjustment with shock pad. Reference the Angle Adjust Specifications Chart for nominal effective angle of rotation in each direction.

**Note: Angle adjustment screws must be installed and engaged to prevent damage to unit as detailed below.**

The angle adjustment is factory installed and must remain installed prior to operation. Operation of units without an angle adjustment can damage the units and void any and all warranties. Only the PHD angle adjustment with integral shock pad should be used in Series RF Rotary Actuators. The use of any other angle adjustment screw will affect the actuator performance and life expectancy.

PHD recommends operating Series RFS units at a minimum of 60 psi [4 bar] in order to fully compress the integral shock pad and provide a repeatable hard stop. The shock pad provides a deceleration length given in the chart. See detail and chart. Angle Adjustment Replacement Kits Include:

### ANGLE ADJUSTMENT SPECIFICATIONS

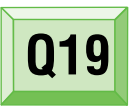
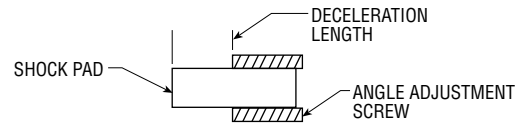
UNIT SIZE	ANGLE ADJUSTMENT REPLACEMENT KIT NO.	THREAD TYPE mm	DECELERATION LENGTH			WEIGHT		KINETIC ENERGY LOAD		LENGTH		WRENCH HEX SIZE mm
			LINEAR in	LINEAR mm	EFFECTIVE ANGLE	lb	kg	in-lb	Nm	in	mm	
14	69713	M6 x 1.0	0.028	0.71	12°	0.01	0.005	0.041	0.0046	0.96	24	3
20	69714	M8 x 1.25	0.061	1.55	14°	0.03	0.014	0.145	0.0164	1.56	40	4
25	69715	M12 x 1.75	0.061	1.55	8°	0.07	0.032	0.395	0.0446	1.97	50	6

1 - Angle adjustment screw with integral shock pad

1 - Nut

1 - Thread Seal

1 Kit is required per end of adjustment desired



## OUTPUT HUB WITH HOLLOW PINION (sizes 20 & 25 only)

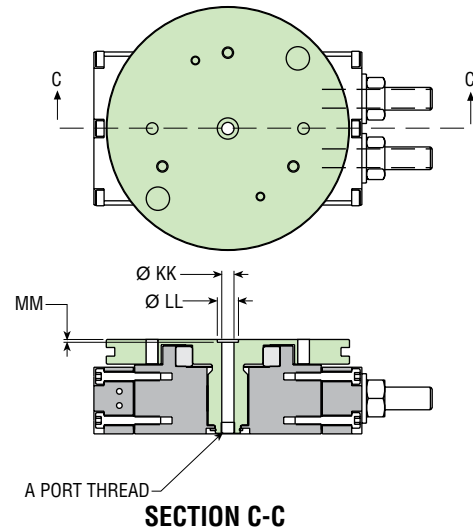
This option provides a hole through the standard output hub and pinion shaft for feeding pneumatic or electrical lines from the back of the rotary actuator to the output hub. The hub has the same mounting as the standard unit. A port is provided on the bottom of the pinion shaft and an o-ring interface on the face of the output hub.

UNIT SIZE	LETTER DIMENSION			
	Ø A	Ø KK	Ø LL	MM
RFS120	10-32	.176	.295	.039
RFS520	[5 x 0.8]	[4.5]	[7.5]	[1.0]
RFS125	1/8 NPT	.339	.433	.039
RFS525	[1/8 BSPP]	[8.6]	[11.0]	[1.0]

METRIC INFORMATION SHOWN IN [ ].

### HOLLOW PINION O-RING KIT

UNIT SIZE	KIT NO.
14	—
20	3642-059-1
25	3642-064-1



All dimensions are reference only unless specifically toleranced.

[www.phdinc.com/rf](http://www.phdinc.com/rf) • (800) 624-8511

# ACCESSORIES: SERIES RF ROTARY ACTUATOR

## PROXIMITY SWITCH KIT

This accessory provides for the mounting of a 6 mm square, PHD Series 5580 solid state switch, or PHD 18431 inductive proximity switch. One switch mounting kit is required per switch, with the typical application requiring two kits. The kit includes a switch target as well as the required mounting hardware.

The Series RF body accepts two proximity switches, which are easily mounted on the actuator using the switch slots in the sides of the body.

The switch targets mount in the groove around the output hub OD. The switch target has a magnet on one side for use with the Series 5580 switch and is to be installed with the magnet toward the switch face. If the Series 18431 switch is used, the magnet should be installed away from the switch face.

Proximity switches are ordered separately. **See Switches and Sensors section for complete switch specifications.**

### PROXIMITY SWITCH MOUNTING ADJUSTMENT KITS

UNIT SIZE	KIT NO.	SWITCH FASTENER SIZE	REQUIRED TORQUE SWITCH FASTENER		TARGET FASTENER SIZE	REQUIRED TORQUE TARGET FASTENER	
			in-lb	Nm		in-lb	Nm
14	69700	M3 x 0.5 x 4	5	0.6	M4 x 0.7	5	0.6
20	69700	M3 x 0.5 x 4	5	0.6	M4 x 0.7	5	0.6
25	69702	M3 x 0.5 x 14	10	1.1	M4 x 0.7	5	0.6

EACH SWITCH KIT CONTAINS THE FOLLOWING:

- 1 - TARGET ASSEMBLY W/MAGNET
- 1 - TARGET FASTENER
- 1 - SWITCH FASTENER

RFSx25 UNIT KITS ALSO INCLUDE:

- 1 - SWITCH BRACKET

### SERIES 5580 SOLID STATE SWITCHES

PART NO.	DESCRIPTION
55803-1-02	NPN 4.5 - 24 VDC with 2 meter cable
55804-1-02	PNP 4.5 - 24 VDC with 2 meter cable
55823-1	NPN 4.5 - 24 VDC with Quick Connect
55824-1	PNP 4.5 - 24 VDC with Quick Connect

### SERIES 5580 REED SWITCHES

PART NO.	DESCRIPTION
55802-1-02	NPN or PNP 4.5 - 24 VDC with 2 meter cable
55822-1	NPN or PNP 4.5 - 24 VDC with Quick Connect

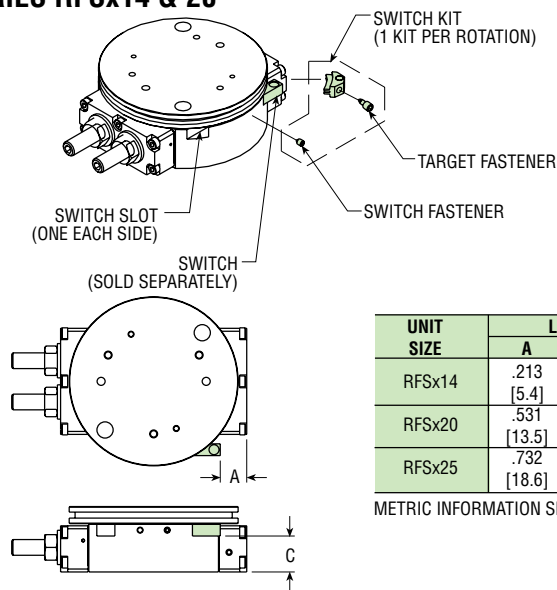
### 6 mm SQUARE INDUCTIVE PROXIMITY SWITCHES

PART NO.	DESCRIPTION
18431-001-02	NPN with 2 meter cable
18431-002-02	PNP with 2 meter cable

### CORDSETS WITH QUICK CONNECT

PART NO.	LENGTH
63549-02	2 meter cable
63549-05	5 meter cable

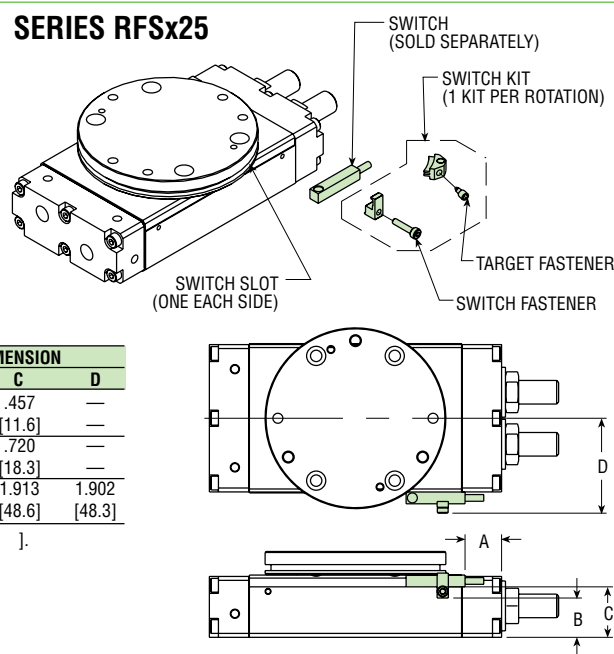
## SERIES RFSx14 & 20



UNIT SIZE	LETTER DIMENSION			
	A	B	C	D
RFSx14	.213 [5.4]	—	.457 [11.6]	—
RFSx20	.531 [13.5]	—	.720 [18.3]	—
RFSx25	.732 [18.6]	.788 [20.0]	1.913 [48.6]	1.902 [48.3]

METRIC INFORMATION SHOWN IN [ ].

## SERIES RFSx25



All dimensions are reference only unless specifically tolerated.

[www.phdinc.com/rf](http://www.phdinc.com/rf) • (800) 624-8511