

RHBABY&CHILD

Tanner Conversion Crib

Made in Vietnam

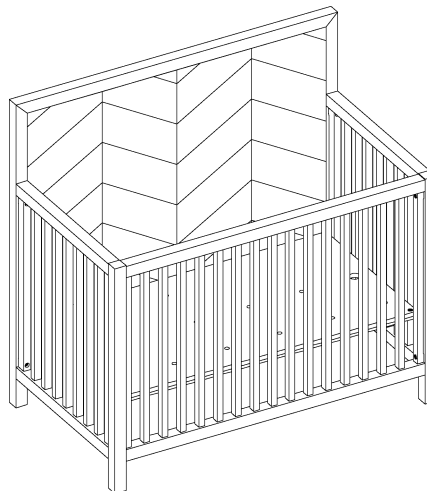
Model No: 110444

Distributed in the U.S.A by:
Restoration Hardware baby & child
11640 Harrel St. Suite B
Mira Loma, CA 91752
rhhbabyandchild.com

Distributed in Canada by:
Restoration Hardware Canada, Inc.
1500-1055 West Georgia Street
Vancouver, British Columbia V6E4N7



WARNING: Read all instructions before assembling this product. **KEEP INSTRUCTIONS FOR FUTURE USE.**



CUSTOMER SERVICE

If you are missing parts or have any questions about this product, contact us first. You can also order parts by writing to the address above. Include the product model number, color, and a brief description of the part. Call 1-800-762-1751.

CARE AND CLEANING

DO NOT scratch or chip the finish. **DO NOT** use abrasive chemicals for cleaning. Dust often using a soft, dry cloth. Blot spills immediately and wipe with a clean, damp cloth. If the crib is to be stored, store in a cool, dry place and carefully package all original hardware to protect from loss.

TOOLS AND INSTALLATION

Tools Necessary: Allen Key (included).


Note: It may be easier to assemble product with two people.


NOTE: When inserting bolts, turn clockwise until tight. Then loosen 1/2-3/4 of a turn. After crib is completely assembled, return to each bolt and tighten. Use wax or soap on all bolts to facilitate assembly.

RHBABY&CHILD

Tanner Conversion Crib

IMPORTANT SAFETY INFORMATION FOR CRIBS

 **WARNING:** Infants can suffocate on soft bedding. Never add a pillow or comforter. Never place additional padding under an infant.

 **WARNING:** Failure to follow these warnings and the assembly instructions could result in serious injury or death.

- Never use plastic shipping bags or other plastic film as mattress covers because they can cause suffocation.
- Infants can suffocate in gaps between crib sides and a mattress that is too small.
- To reduce the risk of **SIDS**, pediatricians recommend healthy infants be placed on their backs to sleep, unless otherwise advised by your physician.

Strangulation Hazard:

- Strings can cause strangulation! **DO NOT** place items with a string around a child's neck, such as hood strings or pacifier cords. **DO NOT** suspend strings over a crib or attach strings to toys.
- To help prevent strangulation, tighten all fasteners. A child can trap parts of the body or clothing on loose fasteners.
- **DO NOT** place crib near window where cords from blinds or drapes may strangle a child.

Fall Hazard:

- When child is able to pull to a standing position, set mattress to lowest position and remove bumper pads, large toys and other objects that could serve as steps for climbing out.
- When child is able to climb out or reaches the height of 35 inches (89 cm), the crib shall no longer be used, and the child should be placed in a youth or regular bed.
- Check this product for damaged hardware, loose joints, missing parts or sharp edges before and after assembly and frequently during use. **DO NOT** use crib if any parts are missing, damaged or broken. Contact customer service at 1-800-762-1751 for replacement parts and instructional literature if needed. **DO NOT** substitute parts.
- **DO NOT** use a water mattress with this crib.
- If refinishing, use a non-toxic finish specified for children's products.
- Follow warnings on all products in a crib.
- Never use plastic shipping bags or other plastic film as mattress covers because they can cause suffocation.
- Infants can suffocate in gaps between crib sides and a mattress that is too small.

RHBABY&CHILD

Tanner Conversion Crib

IMPORTANT SAFETY INFORMATION FOR CRIBS

CAUTION: ANY MATTRESS USED IN THIS CRIB MUST BE AT LEAST 27 1/4 INCHES BY 51 5/8 INCHES WITH A THICKNESS NOT EXCEEDING 6 INCHES.

 **WARNING**

- Do not use this crib if the enclosed or attached instructions cannot be strictly adhered to. Do not use this crib if the child is able to climb out unaided or is taller than 35 inches (89 cm). Do not place cords, straps or similar items that could become wound around the child's neck in or near this crib. Ensure that the sides are properly latched or locked in place when the crib is occupied. The mattress used with this crib should not be more than 6 inches (15 cm) thick and should be of such length and width that the gap between the mattress and the sides of the crib is not more than 1 1/5 inches (3 cm) when the mattress is pushed into the corner of the crib.
- Parents should inspect the crib regularly before putting the child in the crib each day and confirm that every component of the crib is properly and securely in place.

RHBABY&CHILD

Tanner Conversion Crib

IMPORTANT SAFETY INFORMATION FOR TODDLER & DAY BEDS** WARNING:
ENTRAPMENT/STRANGULATION
HAZARD**

Infants have died in toddler beds from entrapment and strangulation.

Failure to follow these warnings and the assembly instructions could result in serious injury or death.

NEVER use bed with children under 15 months.

NEVER place bed near windows where cords from blinds or drapes may strangle a child.

- The mattress intended for use on the bed is a full-size crib mattress having minimum dimensions of 51 5/8 inches (1310mm) in length, 27 1/4 inches (690mm) in width and 4 inches (100mm) in thickness, not exceeding 6 inches (152mm) in thickness.
- If guardrails are used as the mattress containment means, the guardrail(s) provided must be used to avoid the formation of a gap between the mattress and the bed that could cause an entrapment.
- DO NOT place bed near windows where cords from blinds or drapes may strangle a child.
- DO NOT place items with a string, cord, or ribbon around a child's neck, such as hood strings or pacifier cords.
- DO NOT suspend strings over a toddler bed for any pacifier cords.
- A child using the toddler or day bed must be at least 15 months of age and not weigh more than 50 lb. (22.7kg).

RHBABY&CHILD

Tanner Conversion Crib

PARTS INCLUDED

A [1] HEADBOARD
 B [1] FRONT RAIL
 C [1] LH SIDE FRAME
 D [1] RH SIDE FRAME
 E [1] MATTRESS PLATFORM

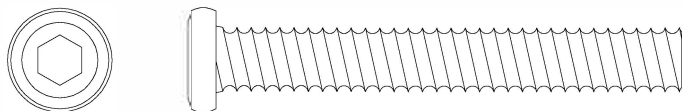
ASSEMBLY INSTRUCTIONS

STEP 1:

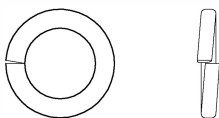
Position the Headboard (A) between the LH Side Frame (C) and RH Side Frame (D) and align the holes at the ends with holes on the side frames.

Insert the Lock Washer (4) onto the Allen Bolt (3) and tighten using Allen Key (5).

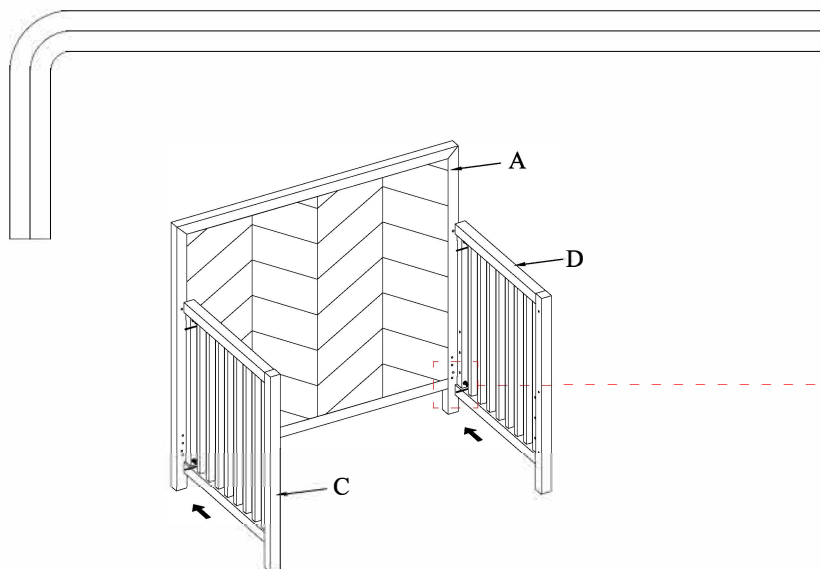
(3) $\frac{5}{16}$ " x $2\frac{1}{4}$ " Allen Bolt = 4 pcs



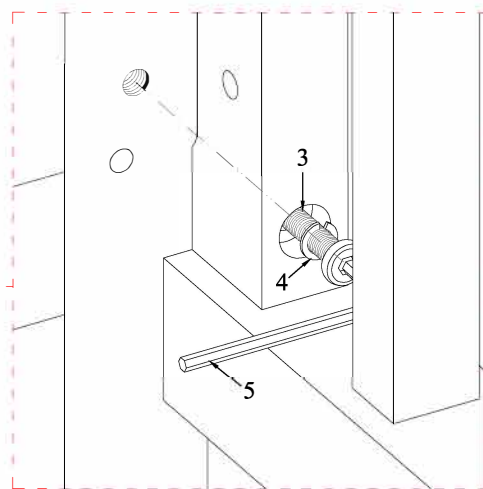
(4) Lock Washer = 4 pcs



(5) Allen Key = 1 pc



NO.	ITEM	DESCRIPTION	QUANTITY
1		Pin Bolt $\frac{3}{8}$ " x $2\frac{1}{4}$ " x $1\frac{5}{16}$ "h	4 pcs.
2		Allen Nut $\frac{3}{8}$ " x $\frac{7}{8}$ "	4 pcs.
3		Allen Bolt $\frac{5}{16}$ " x $2\frac{1}{4}$ "	8 pcs.
4		Lock Washer	8 pcs.
5		Allen Key	1 pc.
6		Allen Bolt $\frac{5}{16}$ " x 1"	2 pcs.
7		Allen Bolt $\frac{1}{4}$ " x 1"	4 pcs.
8		Lock Washer (Small)	4 pcs.
9		Flat Washer	4 pcs.
10		Allen Key (Small)	1 pc.
11		Wood Cover	2 pcs.
12		Bolt $\frac{5}{32}$ " x $2\frac{1}{4}$ "	2 pcs.



RHBABY&CHILD

Tanner Conversion Crib

STEP 2:

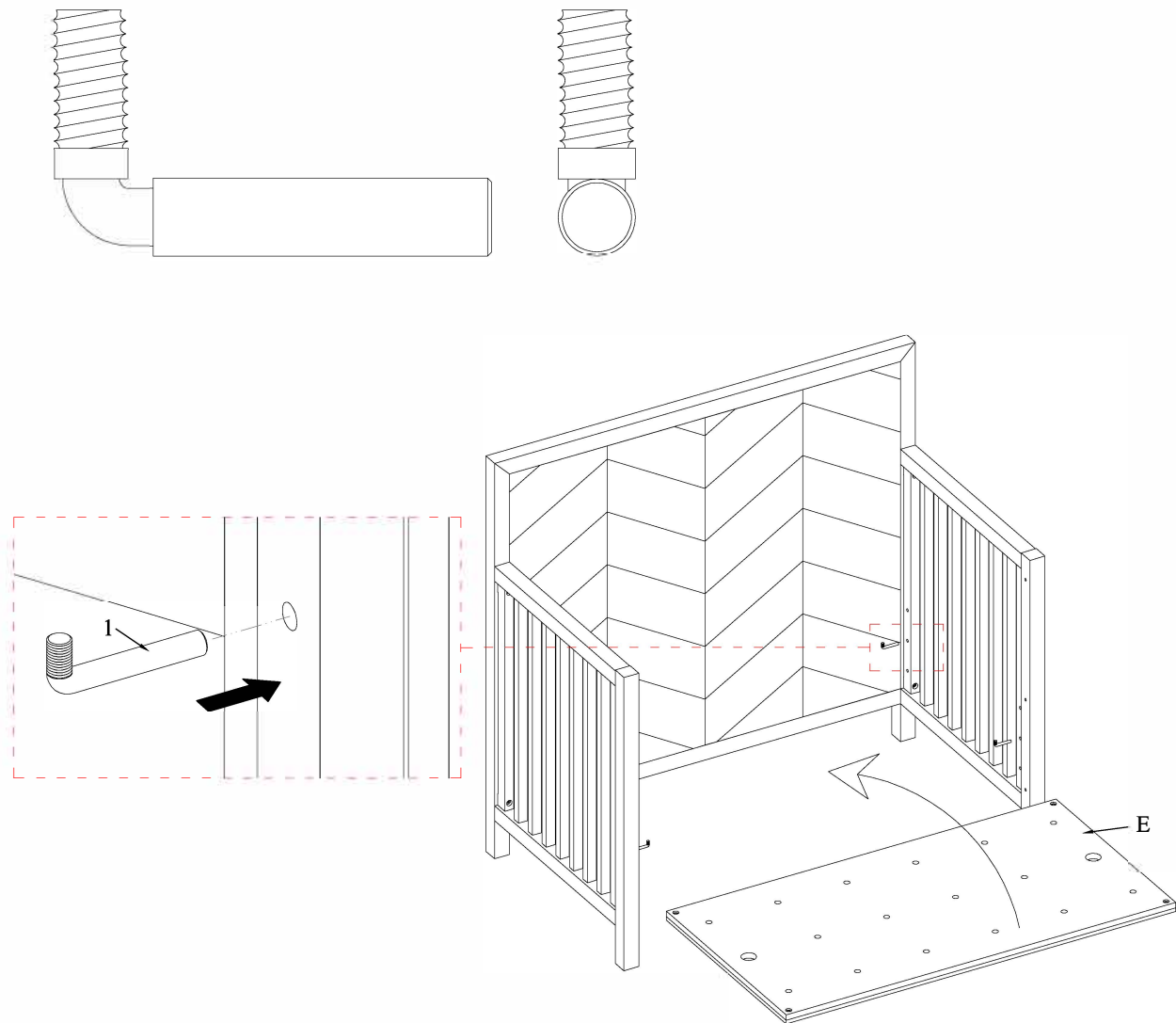
Insert the Pin Bolts (1) to the side frames as shown in the sketch. There are three height adjustments for choice.

Align the holes and position the Mattress Platform (E) onto the Pin Bolts.

Note:

Mattress platform is easily adjustable to varying heights by loosening and removing the Pin Bolt (1) from all four corners and reinserting into a different hole for a higher or lower level.

(1) $\frac{3}{8}$ " x $2\frac{1}{4}$ " x $1\frac{5}{16}$ "h Pin Bolt = 4 pcs



RHBABY&CHILD

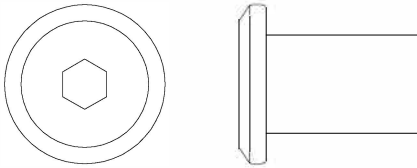
Tanner Conversion Crib

STEP 3:

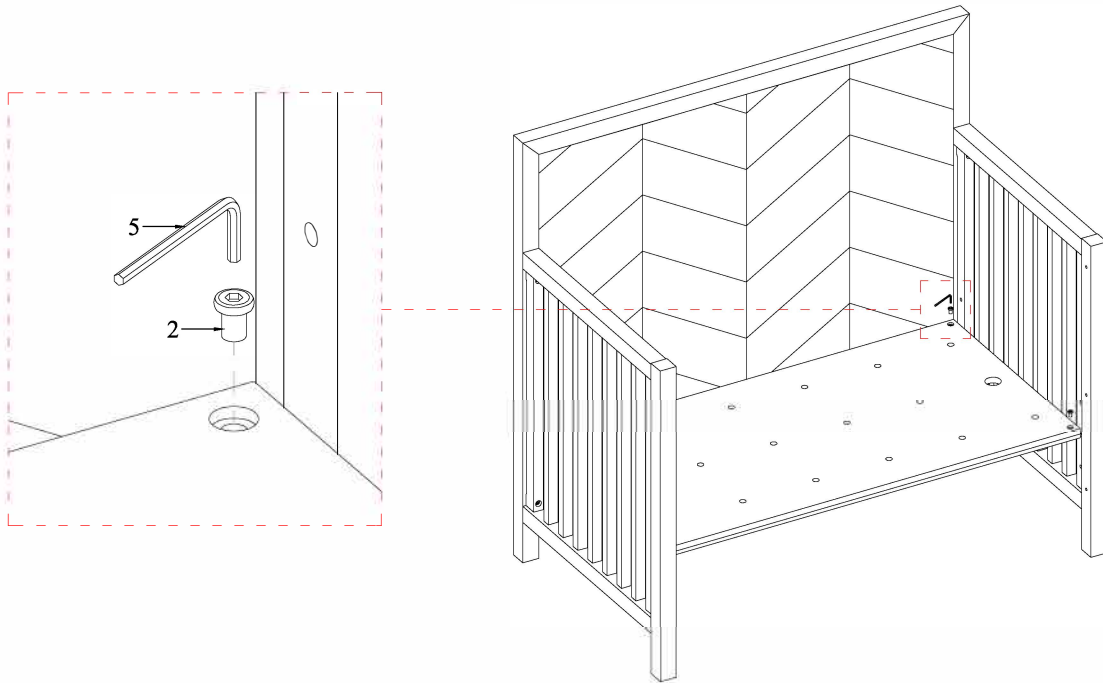
Insert the Allen Nuts (2) and tighten using Allen Key (5).

Set the Mattress Platform (E) to the desired height by adjusting the Pin Bolts (1). The Mattress Platform should be at its highest setting for newborns, then adjusted to the lower positions as the child grows and becomes mobile. Once the child is able to stand, the Mattress Platform should be at its lowest position.

(2) $\frac{3}{8}$ " x $\frac{7}{8}$ " Allen Nut = 4 pcs



(5) Allen Key



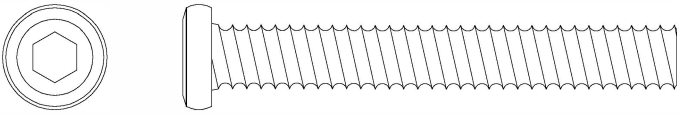
RHBABY&CHILD

Tanner Conversion Crib

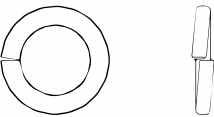
STEP 4:

Repeat steps 2 and 3 to connect the Front Rail (B) as shown in the sketch.

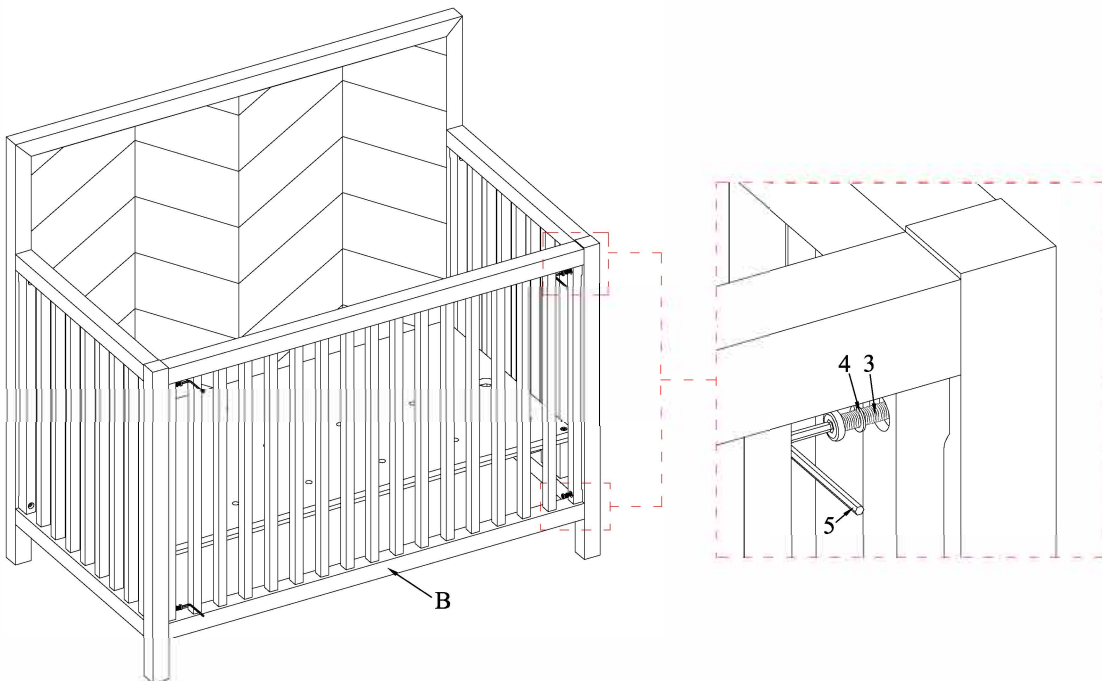
(3) $\frac{5}{16}$ "x2 $\frac{1}{4}$ " Allen Bolt = 4 pcs



(4) Lock Washer = 4 pcs



(5) Allen Key



RHBABY&CHILD

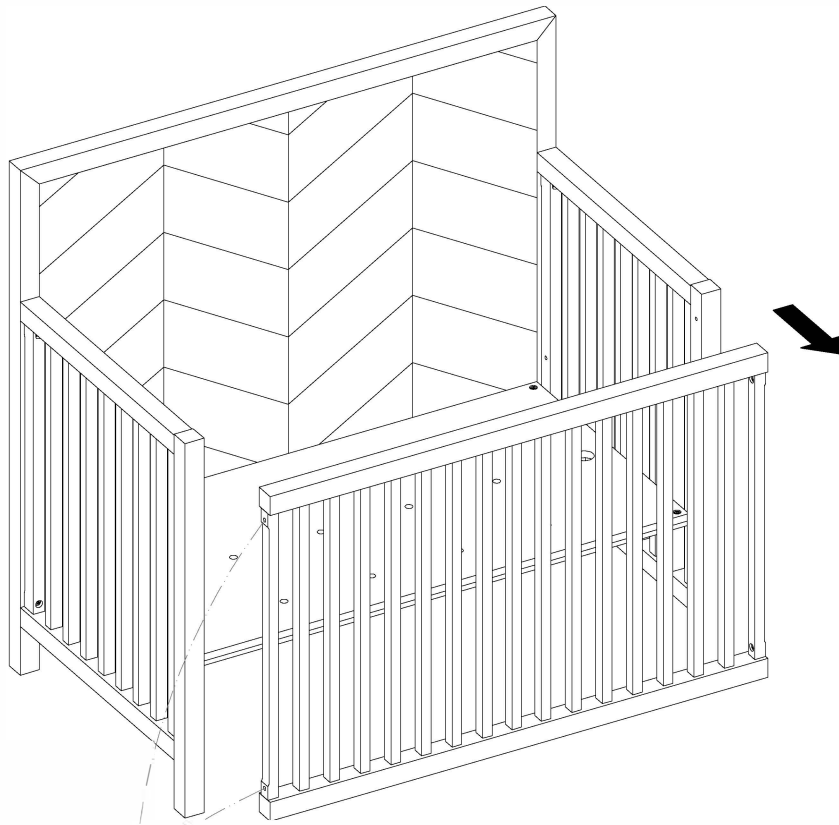
Tanner Conversion Crib

STEP 5:

In order to convert the crib to a toddler bed, loosen all tightened bolts from side frames. Spread front of crib open enough to remove Front Rail (B) and to insert toddler rail (sold separately) between crib side frames.

Note:

If Mattress Platform (E) is not in the lowest position, unscrew Allen Nuts (2) and move it to the lowest position.



Save the hardware removed
to use in a later step.

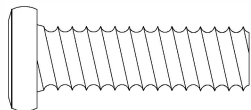
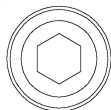
RHBABY&CHILD

Tanner Conversion Crib

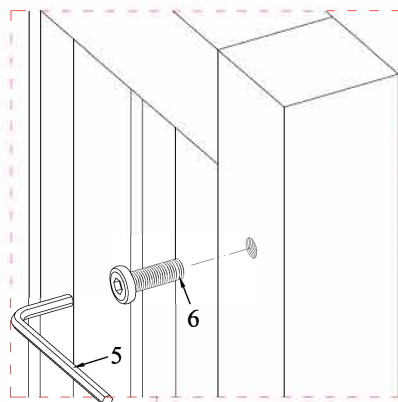
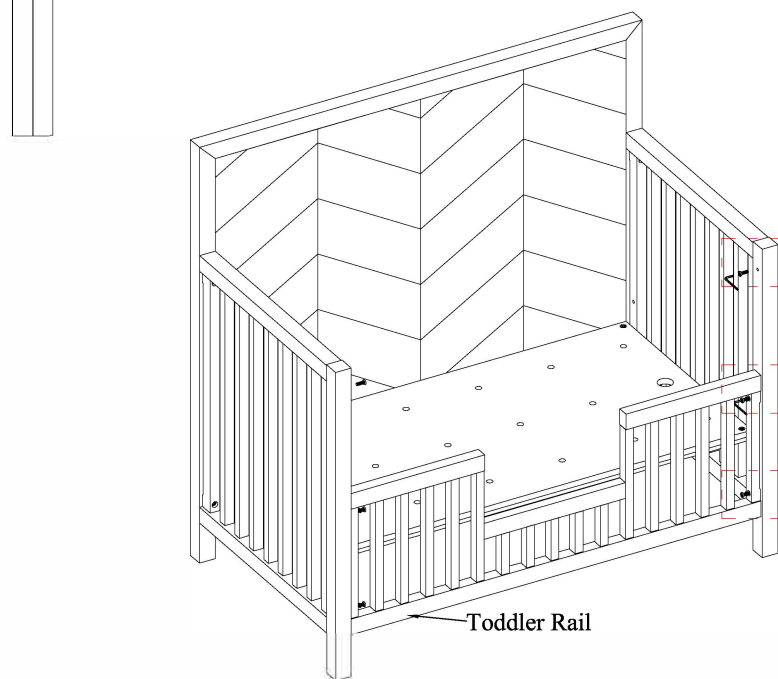
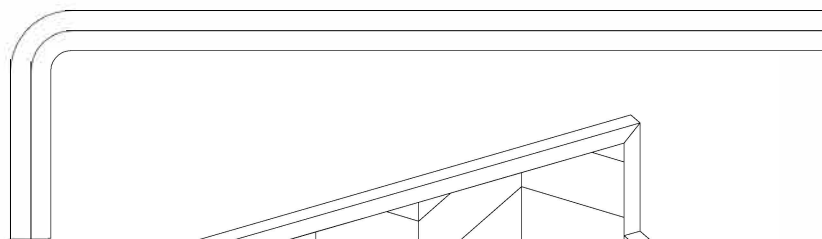
STEP 6:

Repeat step 3 to connect the toddler rail as shown in the sketch. When converting the crib to a toddler bed, the Allen Bolts (6) should be inserted in the upper holes of the side frames and tightened with the Allen Key (5).

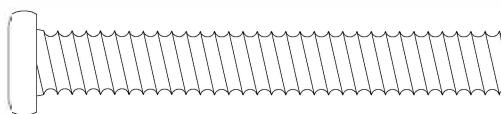
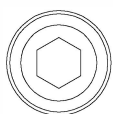
(6) $\frac{5}{16}$ "x1" Allen Bolt = 2 pcs



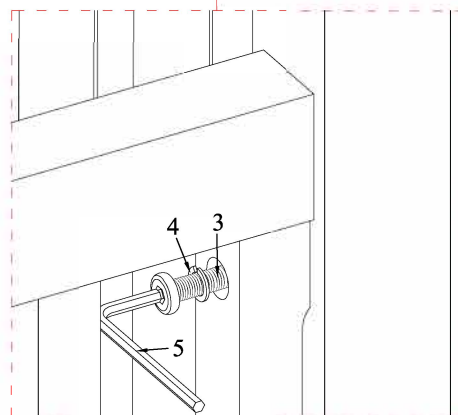
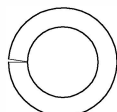
(5) Allen Key



(3) $\frac{5}{16}$ "x2 $\frac{1}{4}$ " Allen Bolt = 4 pcs



(4) Lock Washer = 4 pcs



RHBABY&CHILD

Tanner Conversion Crib

STEP 7:

The crib can be converted to a full size bed. Using the Headboard (A), attach a full size bed frame (sold separately) at the location shown. Insert the Flat Washer (9) and Small Lock Washer (8) onto the Allen Bolt (7) and tighten using Small Allen Key (10).

When converting the toddler bed to a full-size bed, insert the Bolt (12) into highest hole on Headboard (A) from the back, locate the Wood Cover (11) at the highest hole on front of the Headboard (A), screw the Bolt (12) into the Wood Cover (11) with a screwdriver (not included), hold the Wood Cover (11) and make sure its two edges are always paralleled with the headboard post edges during tightening the bolt.

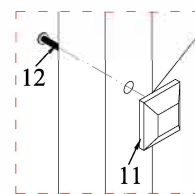
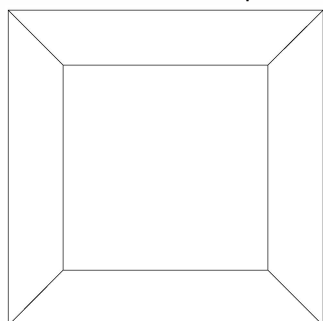
IMPORTANT:

Store away all extra parts to this crib/toddler bed for possible future use as you may wish to convert again. Always store the assembly directions in the pouch attached to the mattress platform.

(12) $\frac{5}{32}$ " \times 2 $\frac{1}{4}$ " Bolt = 2 pcs



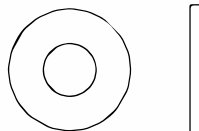
(11) Wood Cover = 2 pcs



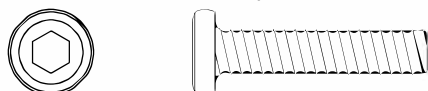
(8) Small Lock Washer = 4 pcs



(9) Flat Washer = 4 pcs



(7) $\frac{1}{4}$ " \times 1" Allen Bolt = 4 pcs



(10) Small Allen Key = 1 pc

