

RIGID PVC CONDUIT FITTINGS AND ACCESSORIES

APPLICATIONS

- Utilities
- Cable, data and communication lines
- Institutional, commercial, industrial buildings
- Residential applications, service entrances
- Street and highway underground feeds
- Transportation systems - subways, bridges, tunnels, airports
- Water and wastewater treatment plants
- Marinas
- Mines, mills



A rigid, non-metallic integrated system of couplings, connectors and fittings that reduces lifecycle costs and improves jobsite efficiency.

6

FEATURES

Royal Building Products offers a complete line of rigid PVC conduit fittings for commercial, industrial and utility usage, for indoor and outdoor use. Royal Building Products PVC conduit fittings are proven durable and effective for years of maintenance-free performance in underground, encased and exposed applications in accordance with the National Electrical Code.

Schedule 40 and 80 rigid PVC conduit fittings are used exposed, encased in concrete, concealed in walls and in direct burial applications. Thicker wall Schedule 80 provides even more durability in the most demanding environments.

CONSTRUCTION

Royal's Rigid PVC conduit fittings are made from high quality durable PVC material that weighs approximately 50% less than metal fittings and components. It is light-weight for easy handling, storage and transportation. All components are manufactured to tight tolerances for quick solvent weld joining. PVC is 100% recyclable.

For use in above ground, underground and encased installations as described in the National Electrical Code

PERFORMANCE

All products are tested to meet or exceed the stringent standards of UL. Royal's fittings are durable, long lasting and resist cracking. Smooth interior walls make it easy to pull wiring through. They are concrete tight for joint integrity.

CORROSION PROOF

Royal's fittings are resistant to most chemicals, and will not corrode or rust.

NON CONDUCTIVE

The non-magnetic and non-galvanic properties of Royal Building Products' PVC fittings provides superior insulation.

FIRE RESISTANT

Material properties of PVC make Royal Building Products' fittings fire-resistant and self-extinguishing.

IMPACT RESISTANT

Royal Building Products fittings are made from tough, durable, high tensile strength PVC.

RIGID PVC CONDUIT FITTINGS AND ACCESSORIES

SPECIFICATIONS

All Royal Building Products rigid conduit fittings meet the requirements for use in accordance with Article 352 of the National Electrical Code and are suitable for the installation of electrical conductors and cables.

Royal's PVC fittings are permitted to be used in concealed walls, floors and ceilings. PVC conduit shall be permitted in locations subject to severe corrosive influences as covered in NEC Article 300.6 and where subject to chemicals for which the materials are specifically approved. Refer to Royal's Chemical Resistance Guide. Royal Building Products' PVC fittings shall be permitted in cinder fill, wet locations, dry, damp or exposed locations, and underground installations.

Type Schedule 80 is recommended for areas where there may be physical damage or abusive conditions.



CODES AND STANDARD COMPLIANCE

Royal PVC Schedule 40 and Schedule 80 rigid conduit fittings are manufactured to NEMA TC-3 and UL 514 in accordance with the National Electrical Code. Royal Building Products' fittings carry UL listings and markings. Royal meets or exceeds the UL 651 standard for conduit and fittings, UL 514B for fittings, UL 514C for boxes, UL 514D for cover plates, and UL 50/50E for enclosures.

PVC conduit systems, including boxes and fittings, shall be permitted in portions of dairies, laundries, canneries and in locations where walls are frequently washed. Royal PVC conduit fittings shall be permitted for exposed work areas.

Royal's rigid PVC conduit fittings are suitable for direct burial and underground encased in concrete, NEC Articles 300.5 and 300.50.

Nonmetallic conduit shall be installed as a complete system as provided in NEC Article 300.18 and shall be fastened and supported within 3 feet of each outlet box, junction box, device box, access fitting, or other conduit termination.

Royal's expansion fittings shall be provided to compensate for thermal expansion and contraction where the length change, according to NEC Table 352.44, is expected to be $\frac{1}{4}$ inch or greater in a straight run between securely mounted items such as boxes, cabinets, elbows, other conduit terminations.

Made in USA.

RIGID PVC CONDUIT FITTINGS AND ACCESSORIES

APPLICATIONS

- Used to mount electrical fixtures in new construction or remodeling

FOR LIGHT FIXTURES & ELECTRICAL RECEPTACLES

With innovative design elements, quality construction and virtually maintenance-free performance, Royal Building Products' siding mounts are the ideal choice for vinyl siding exterior mounts.

The line contains a complete assortment including electrical mounts, which are UL approved, standard mounts, mini mounts, recessed mini mounts, flush mounts, meterbase mounts and coach covers.

All components are designed for easy installation and are made of heavy duty vinyl polymer that is durable, water and airtight, and fade-resistant.



Electrical Mount



8

TYPES OF MOUNTS



Standard Mount



Flush Mount



Recessed Mini Mount



Coach Covers



Mini Mount



Meterbase Mount

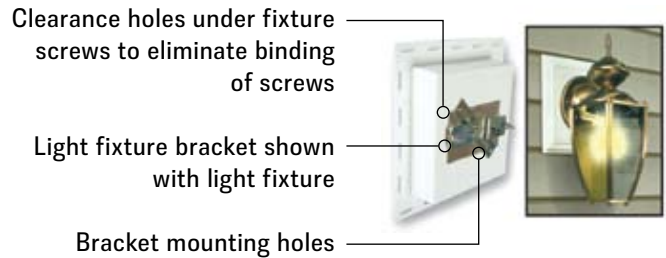
DESIGN ADVANTAGES

- **Electrical code approved mounting block ensures proper installation of light fixtures and electrical receptacle**
- **Keeps wires safely hidden to protect the home and provides a beautiful, clean, finished look**
- **Virtually airtight electrical box is self-contained inside mount to seal off the wiring from the elements**
- **Quick and easy installation**
- **Color-through process resists fading and hides scratches**
- **Weather-resistant polymer won't fade, peel or flake**
- **Virtually maintenance-free**

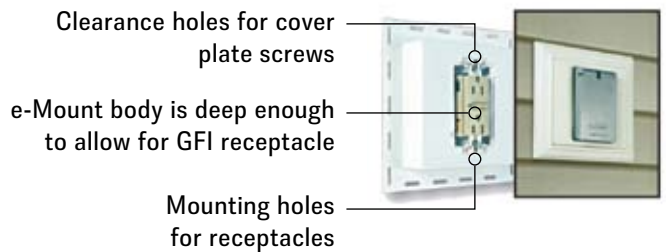
VINYL SIDING ELECTRICAL MOUNT INSTALLATION

1. Push wires through cable connector.
2. Screw the mounting block to the sheathing.
3. Mount exterior fixtures to a pre-installed solid block or base.
4. Connect the wires and mount desired fixture.
5. Caulk around the mounting block to create a watertight seal.

LIGHT FIXTURE

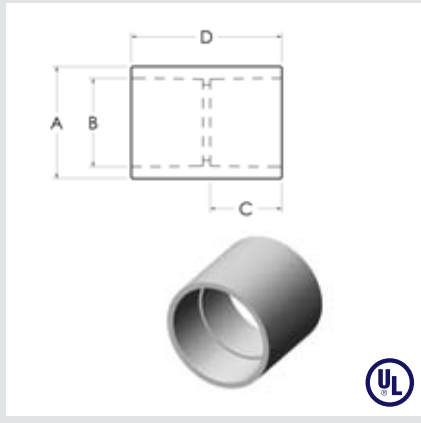


ELECTRICAL RECEPTACLE



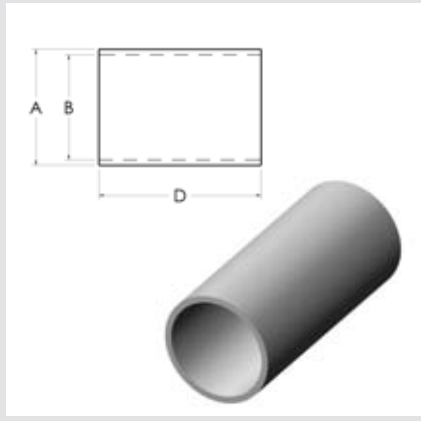
RIGID PVC CONDUIT FITTINGS

COUPLING



SIZE (IN)	RBP PART NUMBER	CARTON QUANTITY	OUTSIDE DIAMETER (OD) (IN)	INSIDE DIAMETER (ID) (IN)	SOCKET DEPTH (S) (IN)	LENGTH (L)(IN)
1/2"	E010050	200	1.080	0.840	0.690	1.450
3/4"	E010075	125	1.300	1.050	0.750	1.550
1"	E010100	70	1.580	1.315	0.900	1.870
1 1/4"	E010125	40	2.000	1.660	0.970	2.130
1 1/2"	E010150	30	2.220	1.900	1.080	2.350
2"	E010200	40	2.721	2.375	1.161	2.450
2 1/2"	E010250	20	3.270	2.875	1.500	3.250
3"	E010300	40	3.980	3.500	1.620	3.470
3 1/2"	E010350	30	4.500	4.000	1.990	4.200
4"	E010400	20	5.060	4.500	1.780	3.820
5"	E010500	10	6.129	5.565	1.950	4.150
6"	E010600	8	7.233	6.625	3.030	6.340
8"	E010800	3	9.351	8.625	4.003	8.310

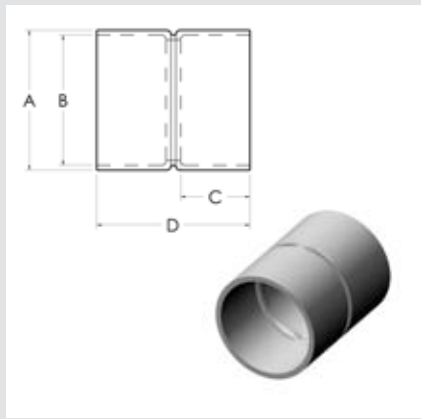
LONG LINE REPAIR COUPLING - NO STOP



SIZE (IN)	RBP PART NUMBER	CARTON QUANTITY	OUTSIDE DIAMETER (IN)	INSIDE DIAMETER (A) (IN)	LENGTH (B) (IN)
1"	E096100	20	1.545	1.335	4.000
1 1/2"	E096150	20	2.171	1.921	4.940
2"	E096200	20	2.666	2.396	6.060
2 1/2"	E096250	20	3.237	2.897	6.000
3"	E096300	25	3.891	3.523	4.950
4"	E096400	15	4.928	4.524	6.500
5"	E096500	8	6.026	5.588	8.690
6"	E096600	4	7.125	6.651	9.750

Fabricated: Dimensions subject to revisions without notice while still meeting minimum standards.

DEEP SOCKET LONG LINE REPAIR COUPLING - WITH STOP (SWEDGE)



SIZE (IN)	RBP PART NUMBER	CARTON QUANTITY	OUTSIDE DIAMETER (A) (IN)	INSIDE DIAMETER (B) (IN)	SOCKET DEPTH (C) (IN)	LENGTH (D) (IN)
2"	E098200	100	2.669	2.375	1.750	4.067
2 1/2"	E098250	30	3.237	2.875	2.250	5.097
3"	E098300	30	3.891	3.500	2.750	6.106
4"	E098400	20	4.928	4.500	3.125	6.865
5"	E098500	10	6.041	5.563	3.375	7.370
6"	E098600	6	7.143	6.625	3.500	7.623

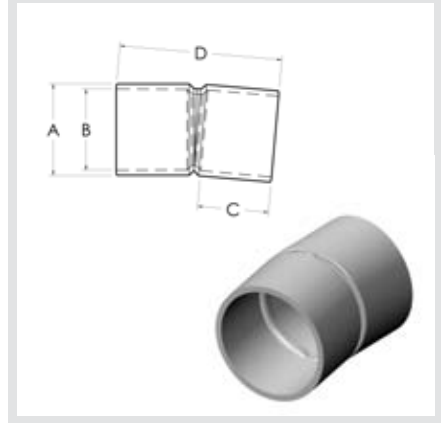
Fabricated: Dimensions subject to revisions without notice while still meeting minimum standards.

RIGID PVC CONDUIT FITTINGS

SIZE (IN)	RBP PART NUMBER	CARTON QUANTITY	OUTSIDE DIAMETER (OD) (IN)	INSIDE DIAMETER (ID) (IN)	SOCKET DEPTH (S) (IN)	LENGTH (L)(IN)
2"	E013200	20	2.669	2.375	2.000	5.500
2 1/2"	E013250	12	3.237	2.875	2.700	6.700
3"	E013300	25	3.891	3.500	2.300	6.600
3 1/2"	E013350	15	4.409	4.000	2.800	7.500
4"	E013400	15	4.928	4.500	3.000	8.200
5"	E013500	8	6.041	5.563	3.400	9.400
6"	E013600	4	7.143	6.625	4.200	11.400

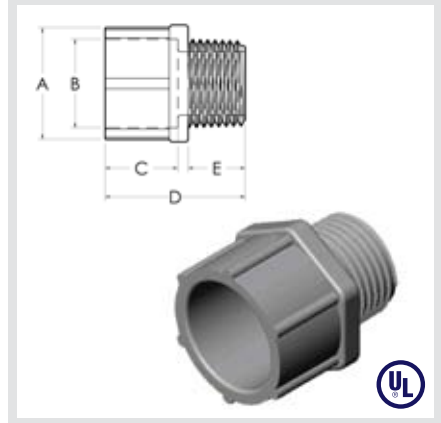
Fabricated: Dimensions subject to revisions without notice while still meeting minimum standards.

5° COUPLING



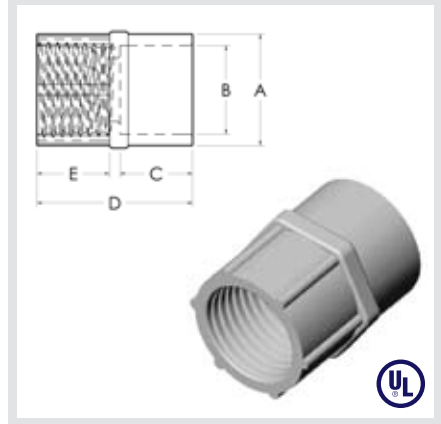
SIZE	RBP PART NUMBER	CARTON QUANTITY	A (IN)	B (IN)	C (IN)	D (IN)	E (IN)	THREAD SIZE (IN)
1/2"	E011050	200	1.056	0.840	0.700	1.350	0.550	1/2" - 14
3/4"	E011075	125	1.268	1.050	0.750	1.400	0.550	3/4" - 14
1"	E011100	70	1.545	1.315	0.900	1.820	0.810	1" - 11.5
1 1/4"	E011125	40	1.932	1.660	0.970	1.920	0.820	1 1/4" - 11.5
1 1/2"	E011150	30	2.174	1.900	1.080	2.010	0.800	1 1/2" - 11.5
2"	E011200	40	2.669	2.375	1.150	2.100	0.820	2" - 11.5
2 1/2"	E011250	20	3.237	2.875	1.500	2.700	1.000	2 1/2" - 8
3"	E011300	40	3.985	3.500	1.630	2.880	1.010	3" - 8
3 1/2"	E011350	30	4.409	4.000	2.420	3.480	0.880	3 1/2" - 8
4"	E011400	20	5.008	4.500	1.780	3.190	1.090	4" - 8
5"	E011500	10	6.129	5.565	2.780	4.730	1.700	5" - 8
6"	E011600	8	7.239	6.625	3.030	5.220	1.910	6" - 8

TERMINAL ADAPTER



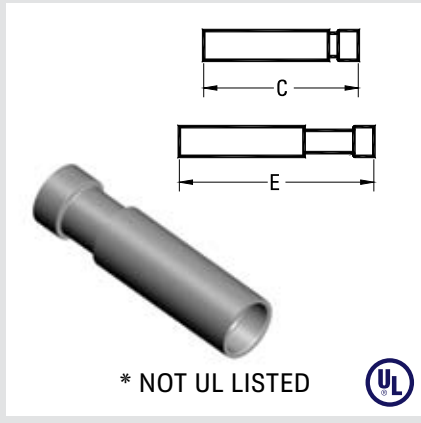
SIZE	RBP PART NUMBER	CARTON QUANTITY	A (IN)	B (IN)	C (IN)	D (IN)	E (IN)	THREAD SIZE (IN)
1/2"	E012050	200	1.056	0.840	0.700	1.460	0.660	1/2" - 14
3/4"	E012075	125	1.268	1.050	0.750	1.600	0.750	3/4" - 14
1"	E012100	70	1.545	1.315	0.900	1.930	0.940	1" - 11.5
1 1/4"	E012125	40	1.932	1.660	0.970	2.100	1.010	1 1/4" - 11.5
1 1/2"	E012150	30	2.174	1.900	1.080	2.330	1.120	1 1/2" - 11.5
2"	E012200	40	2.669	2.375	1.150	2.470	1.190	2" - 11.5
2 1/2"	E012250	20	3.237	2.875	1.500	2.930	1.220	2 1/2" - 8
3"	E012300	40	3.985	3.500	1.630	3.460	1.630	3" - 8
3 1/2"	E012350	30	4.409	4.000	2.420	4.300	1.680	3 1/2" - 8
4"	E012400	20	5.008	4.500	1.780	3.340	1.310	4" - 8
5"	E012500	10	6.129	5.565	1.950	4.040	1.840	5" - 8
6"	E012600	8	7.239	6.625	3.030	4.880	1.600	6" - 8

FEMALE ADAPTER (NPT TAPERED THREAD)



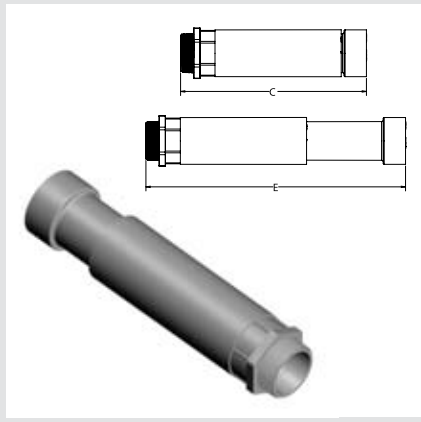
RIGID PVC CONDUIT FITTINGS

EXPANSION JOINT



SIZE (IN)	RBP PART NUMBER	CARTON QUANTITY	EXPANDED (E) (IN)	CONTRACTED (C) (IN)	TRAVEL (IN)
1/2" *	E016050	25	12.20	8.20	4.00
3/4"	E016075	10	12.20	8.20	4.00
1"	E016100	10	12.40	8.40	4.00
1 1/4"	E016125	5	13.00	9.00	4.00
1 1/2"	E016150	5	13.00	9.00	4.00
2"	E016200	25	13.25	9.25	4.00
2 1/2" *	E016250	12	22.20	14.20	8.00
3"	E016300	12	22.25	14.25	8.00
3 1/2" *	E016350	6	22.25	14.25	8.00
4"	E016400	6	22.85	14.85	8.00
5" *	E016500	1	32.00	24.00	8.00
6"	E016600	1	34.30	26.30	8.00

EXPANSION JOINT W/ TERMINAL ADAPTER

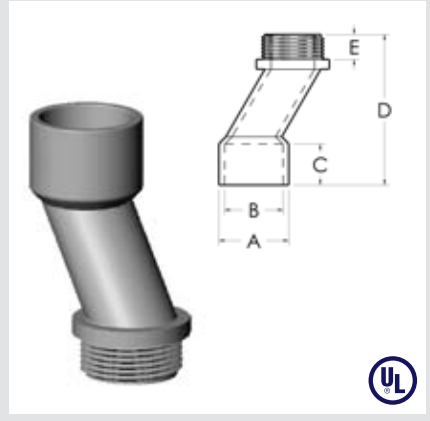


SIZE (IN)	RBP PART NUMBER	CARTON QUANTITY	EXPANDED (E) (IN)	CONTRACTED (C) (IN)	TRAVEL (IN)
2" x 4" travel	E016200TA	4	15.35	11.35	4.00
2 1/2" x 8" travel	E016250TA	8	24.90	16.90	8.00
3" x 8" travel	E016300TA	8	25.15	17.15	8.00
4" x 8" travel	E016400TA	8	26.00	18.00	8.00

RIGID PVC CONDUIT FITTINGS

SIZE	RBP PART NUMBER	CARTON QUANTITY	A (IN)	B (IN)	C (IN)	D (IN)	E (IN)	THREAD SIZE (IN)
1 1/4"	E024125	15	1.932	1.660	1.170	4.260	0.710	1 1/4"-11.5
2"	E024200	8	2.669	2.375	1.160	4.290	0.720	2"-11.5

METER OFFSET



SIZE (IN)	RBP PART NUMBER	CARTON QUANTITY
1/2"	E025050	10
3/4"	E025075	10
1"	E025100	20
1 1/4"	E025125	20
1 1/2"	E025150	20
2"	E025200	5
2 1/2"	E025250	5
3"	E025300	5
3 1/2"	E025350	5
4"	E025400	1

SERVICE ENTRANCE FITTING



SIZE (IN)	RBP PART NUMBER	CARTON QUANTITY
1/2"	E039050	300
3/4"	E039075	200
1"	E039100	200
1 1/4"	E039125	200
1 1/2"	E039150	200
2"	E039200	200

PIPE STRAP PVC 2 HOLE



RIGID PVC CONDUIT FITTINGS

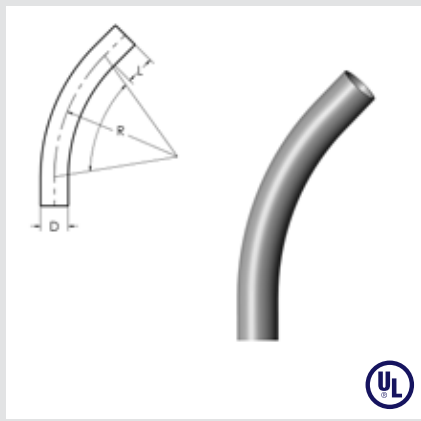
Length and radius meet minimum dimensions.

SCH 40 STANDARD ELBOWS 90° PLAIN END



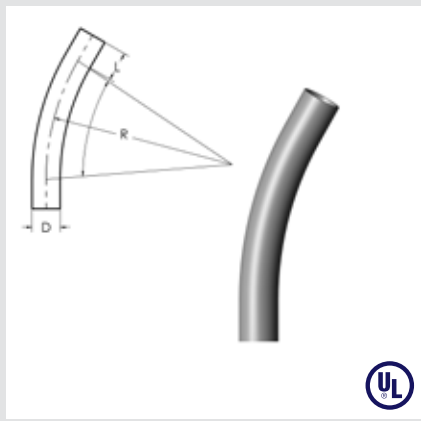
SIZE (IN)	RBP PART NUMBER	CARTON QUANTITY	DIAMETER (D) (IN)	LENGTH (L) (IN)	RADIUS (R) (IN)
1/2"	E018050	50	0.840	1.500	4.00
3/4"	E018075	35	1.050	1.500	4.50
1"	E018100	20	1.315	1.875	5.75
1 1/4"	E018125	30	1.660	2.000	7.25
1 1/2"	E018150	30	1.900	2.000	8.25
2"	E018200	15	2.375	2.000	9.50
2 1/2"	E018250	18	2.875	3.000	10.50
3"	E018300	14	3.500	3.125	13.00
3 1/2"	E018350	12	4.000	3.250	15.00
4"	E018400	10	4.500	3.375	16.00
5"	E018500	1	5.565	3.625	24.00
6"	E018600	1	6.625	3.750	30.00

SCH 40 STANDARD ELBOWS 45° PLAIN END



SIZE (IN)	RBP PART NUMBER	CARTON QUANTITY	DIAMETER (D) (IN)	LENGTH (L) (IN)	RADIUS (R) (IN)
1/2"	E019050	50	0.840	1.500	4.00
3/4"	E019075	25	1.050	1.500	4.50
1"	E019100	20	1.315	1.875	5.75
1 1/4"	E019125	25	1.660	2.000	7.25
1 1/2"	E019150	20	1.900	2.000	8.25
2"	E019200	10	2.375	2.000	9.50
2 1/2"	E019250	20	2.875	3.000	10.50
3"	E019300	8	3.500	3.125	13.00
3 1/2"	E019350	5	4.000	3.250	15.00
4"	E019400	20	4.500	3.375	16.00
5"	E019500	1	5.565	3.625	24.00
6"	E019600	1	6.625	3.750	30.00

SCH 40 STANDARD ELBOWS 30° PLAIN END



SIZE (IN)	RBP PART NUMBER	CARTON QUANTITY	DIAMETER (D) (IN)	LENGTH (L) (IN)	RADIUS (R) (IN)
1/2"	E020050	50	0.840	1.500	4.00
3/4"	E020075	25	1.050	1.500	4.50
1"	E020100	20	1.315	1.875	5.75
1 1/4"	E020125	25	1.660	2.000	7.25
1 1/2"	E020150	50	1.900	2.000	8.25
2"	E020200	10	2.375	2.000	9.50
2 1/2"	E020250	20	2.875	3.000	10.50
3"	E020300	8	3.500	3.125	13.00
3 1/2"	E020350	5	4.000	3.250	15.00
4"	E020400	20	4.500	3.375	16.00
5"	E020500	1	5.565	3.625	24.00
6"	E020600	1	6.625	3.750	30.00

RIGID PVC CONDUIT FITTINGS

Length and radius meet minimum dimensions.

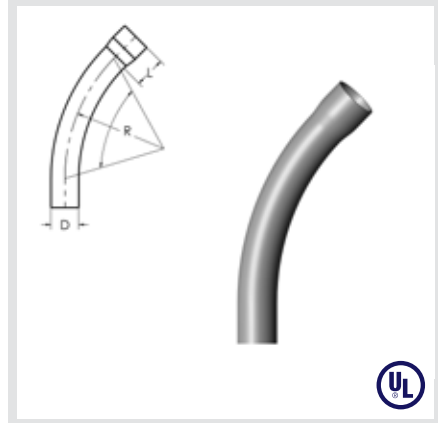
SIZE (IN)	RBP PART NUMBER	CARTON QUANTITY	DIAMETER (D) (IN)	LENGTH (L) (IN)	RADIUS (R) (IN)
1/2"	E021050	50	0.840	1.500	4.00
3/4"	E021075	35	1.050	1.500	4.50
1"	E021100	20	1.315	1.875	5.75
1 1/4"	E021125	30	1.660	2.000	7.25
1 1/2"	E021150	30	1.900	2.000	8.25
2"	E021200	15	2.375	2.000	9.50
2 1/2"	E021250	18	2.875	3.000	10.50
3"	E021300	14	3.500	3.125	13.00
3 1/2"	E021350	12	4.000	3.250	15.00
4"	E021400	10	4.500	3.375	16.00
5"	E021500	1	5.565	3.625	24.00
6"	E021600	1	6.625	3.750	30.00

SCH 40 STANDARD ELBOWS 90° BELL END



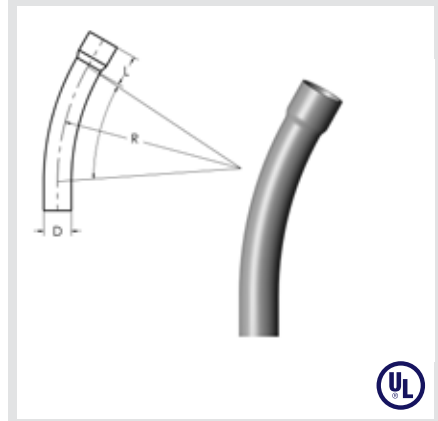
SIZE (IN)	RBP PART NUMBER	CARTON QUANTITY	DIAMETER (D) (IN)	LENGTH (L) (IN)	RADIUS (R) (IN)
1/2"	E022050	50	0.840	1.500	4.00
3/4"	E022075	25	1.050	1.500	4.50
1"	E022100	20	1.315	1.875	5.75
1 1/4"	E022125	25	1.660	2.000	7.25
1 1/2"	E022150	20	1.900	2.000	8.25
2"	E022200	10	2.375	2.000	9.50
2 1/2"	E022250	20	2.875	3.000	10.50
3"	E022300	8	3.500	3.125	13.00
3 1/2"	E022350	5	4.000	3.250	15.00
4"	E022400	20	4.500	3.375	16.00
5"	E022500	1	5.565	3.625	24.00
6"	E022600	1	6.625	3.750	30.00

SCH 40 STANDARD ELBOWS 45° BELL END



SIZE (IN)	RBP PART NUMBER	CARTON QUANTITY	DIAMETER (D) (IN)	LENGTH (L) (IN)	RADIUS (R) (IN)
1/2"	E072050	50	0.840	1.500	4.00
3/4"	E072075	35	1.050	1.500	4.50
1"	E072100	50	1.315	1.875	5.75
1 1/4"	E072125	30	1.660	2.000	7.25
1 1/2"	E072150	50	1.900	2.000	8.25
2"	E072200	10	2.375	2.000	9.50
2 1/2"	E072250	10	2.875	3.000	10.50
3"	E072300	8	3.500	3.125	13.00
3 1/2"	E072350	5	4.000	3.250	15.00
4"	E072400	20	4.500	3.375	16.00
5"	E072500	1	5.565	3.625	24.00
6"	E072600	1	6.625	3.750	30.00

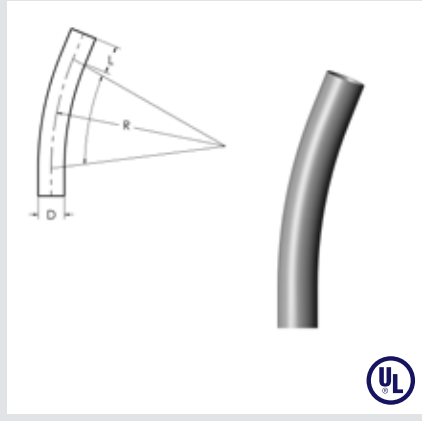
SCH 40 STANDARD ELBOWS 30° BELL END



RIGID PVC CONDUIT FITTINGS

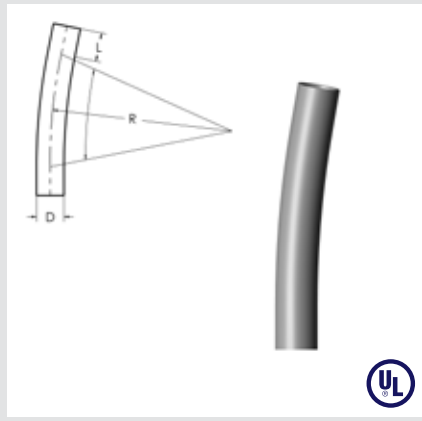
Length and radius meet minimum dimensions.

SCH 40 STANDARD ELBOWS 22 1/2° PLAIN END



SIZE (IN)	RBP PART NUMBER	CARTON QUANTITY	DIAMETER (D) (IN)	LENGTH (L) (IN)	RADIUS (R) (IN)
1 1/4"	E084125	25	1.660	2.000	7.25
1 1/2"	E084150	20	1.900	2.000	8.25
2"	E084200	10	2.375	2.000	9.50
2 1/2"	E084250	20	2.875	3.000	10.50
3"	E084300	8	3.500	3.125	13.00
3 1/2"	E084350	5	4.000	3.250	15.00
4"	E084400	20	4.500	3.375	16.00
5"	E084500	1	5.565	3.625	24.00
6"	E084600	1	6.625	3.750	30.00

SCH 40 STANDARD ELBOWS 11 1/4° PLAIN END



SIZE (IN)	RBP PART NUMBER	CARTON QUANTITY	DIAMETER (D) (IN)	LENGTH (L) (IN)	RADIUS (R) (IN)
2"	E087200	1	2.375	2.000	9.50
3"	E087300	1	3.500	3.125	13.00
4"	E087400	1	4.500	3.375	16.00
5"	E087500	1	5.565	3.625	24.00
6"	E087600	1	6.625	3.750	30.00

SCH 40 SPECIAL RADIUS ELBOW PLAIN END 90° 24" RADIUS



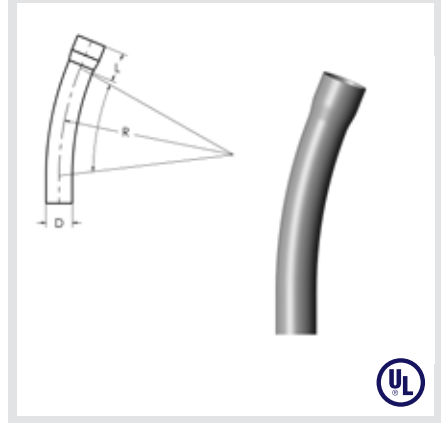
SIZE (IN)	RBP PART NUMBER	CARTON QUANTITY	DIAMETER (D) (IN)	LENGTH (L) (IN)	RADIUS (R) (IN)
1"	E07510024	1	1.315	1.875	24.00
1 1/4"	E07512524	1	1.660	2.000	24.00
1 1/2"	E07515024	1	1.900	2.000	24.00
2"	E07520024	1	2.375	2.000	24.00
2 1/2"	E07525024	1	2.875	3.000	24.00
3"	E07530024	1	3.500	3.125	24.00
3 1/2"	E07535024	1	4.000	3.250	24.00
4"	E07540024	1	4.500	3.375	24.00
5"	E07550024	1	5.565	3.625	24.00
6"	E07560024	1	6.625	3.750	24.00

RIGID PVC CONDUIT FITTINGS

Length and radius meet minimum dimensions.

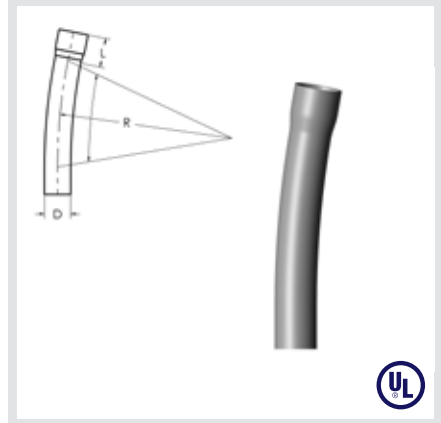
SIZE (IN)	RBP PART NUMBER	CARTON QUANTITY	DIAMETER (D) (IN)	LENGTH (L) (IN)	RADIUS (R) (IN)
1 1/2"	E097150	1	1.900	2.000	8.25
2"	E097200	1	2.375	2.000	9.50
2 1/2"	E097250	1	2.875	3.000	10.50
3"	E097300	1	3.500	3.125	13.00
3 1/2"	E097350	1	4.000	3.250	15.00
4"	E097400	1	4.500	3.375	16.00
5"	E097500	1	5.565	3.625	24.00
6"	E097600	1	6.625	3.750	30.00

SCH 40 STANDARD ELBOWS 22 1/2° BELL END



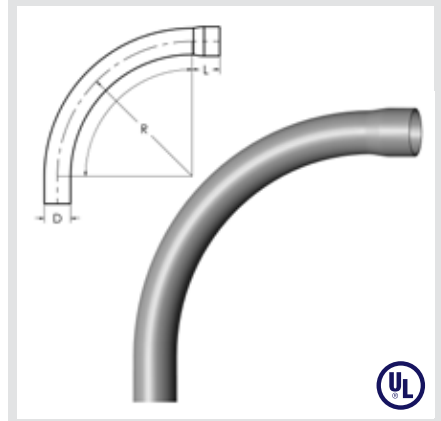
SIZE (IN)	RBP PART NUMBER	CARTON QUANTITY	DIAMETER (D) (IN)	LENGTH (L) (IN)	RADIUS (R) (IN)
2"	E090200	1	2.375	2.000	9.50
3"	E090300	1	3.500	3.125	13.00
4"	E090400	1	4.500	3.375	16.00
5"	E090500	1	5.565	3.625	24.00

SCH 40 STANDARD ELBOWS 11 1/4° BELL END



SIZE (IN)	RBP PART NUMBER	CARTON QUANTITY	DIAMETER (D) (IN)	LENGTH (L) (IN)	RADIUS (R) (IN)
2"	E07920024	1	2.375	2.000	24.00
2 1/2"	E07925024	1	2.875	3.000	24.00
3"	E07930024	1	3.500	3.125	24.00
3 1/2"	E07935024	1	4.000	3.250	24.00
4"	E07940024	1	4.500	3.375	24.00

SCH 40 SPECIAL RADIUS ELBOW BELL END 90° 24" RADIUS



RIGID PVC CONDUIT FITTINGS

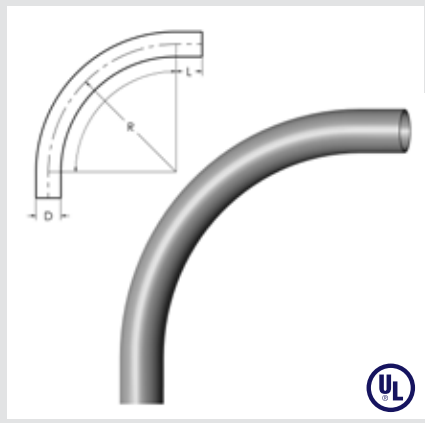
Length and radius meet minimum dimensions.

SCH 40 SPECIAL RADIUS ELBOW PLAIN END 90° 36" RADIUS



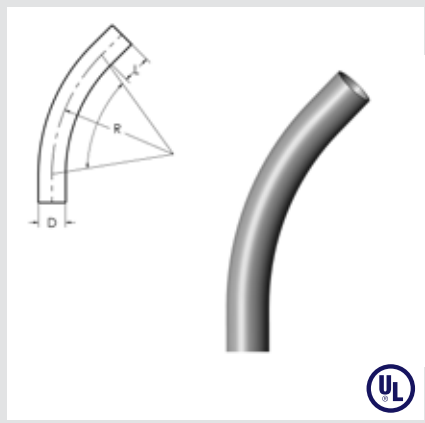
SIZE (IN)	RBP PART NUMBER	CARTON QUANTITY	DIAMETER (D) (IN)	LENGTH (L) (IN)	RADIUS (R) (IN)
1"	E07510036	1	1.315	1.875	36.00
1 1/4"	E07512536	1	1.660	2.000	36.00
1 1/2"	E07515036	1	1.900	2.000	36.00
2"	E07520036	1	2.375	2.000	36.00
2 1/2"	E07525036	1	2.875	3.000	36.00
3"	E07530036	1	3.500	3.125	36.00
3 1/2"	E07535036	1	4.000	3.250	36.00
4"	E07540036	1	4.500	3.375	36.00
5"	E07550036	1	5.565	3.625	36.00
6"	E07560036	1	6.625	3.750	36.00

SCH 40 SPECIAL RADIUS ELBOW PLAIN END 90° 48" RADIUS



SIZE (IN)	RBP PART NUMBER	CARTON QUANTITY	DIAMETER (D) (IN)	LENGTH (L) (IN)	RADIUS (R) (IN)
1"	E07510048	1	1.315	1.875	48.00
1 1/4"	E07512548	1	1.660	2.000	48.00
1 1/2"	E07515048	1	1.900	2.000	48.00
2"	E07520048	1	2.375	2.000	48.00
2 1/2"	E07525048	1	2.875	3.000	48.00
3"	E07530048	1	3.500	3.125	48.00
3 1/2"	E07535048	1	4.000	3.250	48.00
4"	E07540048	1	4.500	3.375	48.00
5"	E07550048	1	5.565	3.625	48.00
6"	E07560048	1	6.625	3.750	48.00
8"	E07580048	1	8.625	6.625	48.00

SCH 40 SPECIAL RADIUS ELBOW PLAIN END 45° 24" RADIUS



SIZE (IN)	RBP PART NUMBER	CARTON QUANTITY	DIAMETER (D) (IN)	LENGTH (L) (IN)	RADIUS (R) (IN)
1"	E07610024	1	1.315	1.875	24.00
1 1/4"	E07612524	1	1.660	2.000	24.00
1 1/2"	E07615024	1	1.900	2.000	24.00
2"	E07620024	1	2.375	2.000	24.00
2 1/2"	E07625024	1	2.875	3.000	24.00
3"	E07630024	1	3.500	3.125	24.00
3 1/2"	E07635024	1	4.000	3.250	24.00
4"	E07640024	1	4.500	3.375	24.00
5"	E07650024	1	5.565	3.625	24.00
6"	E07660024	1	6.625	3.750	24.00

RIGID PVC CONDUIT FITTINGS

Length and radius meet minimum dimensions.

SIZE (IN)	RBP PART NUMBER	CARTON QUANTITY	DIAMETER (D) (IN)	LENGTH (L) (IN)	RADIUS (R) (IN)
2"	E07920036	1	2.375	2.000	36.00
2 1/2"	E07925036	1	2.875	3.000	36.00
3"	E07930036	1	3.500	3.125	36.00
3 1/2"	E07935036	1	4.000	3.250	36.00
4"	E07940036	1	4.500	3.375	36.00
5"	E07950036	1	5.565	3.625	36.00
6"	E07960036	1	6.625	3.750	36.00

SCH 40 SPECIAL RADIUS ELBOW BELL END 90° 36" RADIUS



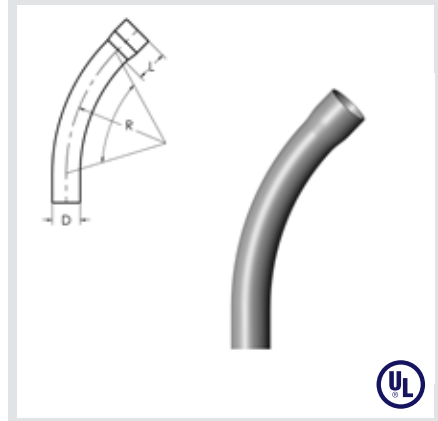
SIZE (IN)	RBP PART NUMBER	CARTON QUANTITY	DIAMETER (D) (IN)	LENGTH (L) (IN)	RADIUS (R) (IN)
2"	E07920048	1	2.375	2.000	48.00
2 1/2"	E07925048	1	2.875	3.000	48.00
3"	E07930048	1	3.500	3.125	48.00
3 1/2"	E07935048	1	4.000	3.250	48.00
4"	E07940048	1	4.500	3.375	48.00
5"	E07950048	1	5.565	3.625	48.00
6"	E07960048	1	6.625	3.750	48.00

SCH 40 SPECIAL RADIUS ELBOW BELL END 90° 48" RADIUS



SIZE (IN)	RBP PART NUMBER	CARTON QUANTITY	DIAMETER (D) (IN)	LENGTH (L) (IN)	RADIUS (R) (IN)
2"	E08020024	1	2.375	2.000	24.00
2 1/2"	E08025024	1	2.875	3.000	24.00
3"	E08030024	1	3.500	3.125	24.00
3 1/2"	E08035024	1	4.000	3.250	24.00
4"	E08040024	1	4.500	3.375	24.00

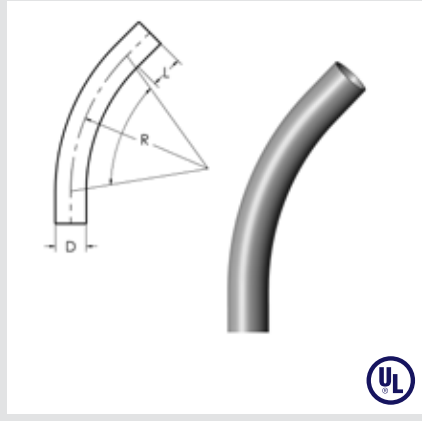
SCH 40 SPECIAL RADIUS ELBOW BELL END 45° 24" RADIUS



RIGID PVC CONDUIT FITTINGS

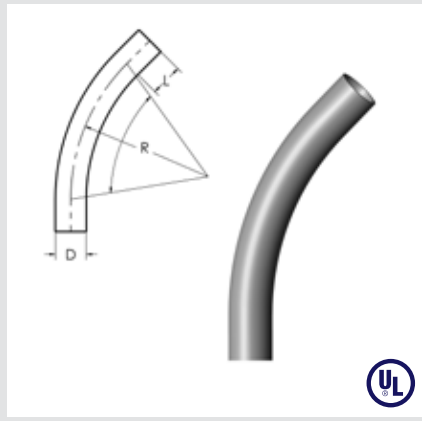
Length and radius meet minimum dimensions.

SCH 40 SPECIAL RADIUS ELBOW PLAIN END 45° 36" RADIUS



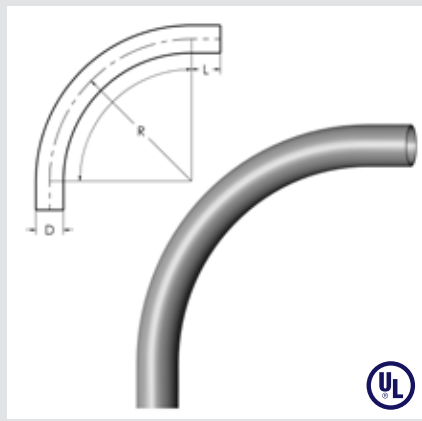
SIZE (IN)	RBP PART NUMBER	CARTON QUANTITY	DIAMETER (D) (IN)	LENGTH (L) (IN)	RADIUS (R) (IN)
1"	E07610036	1	1.315	1.875	36.00
1 1/4"	E07612536	1	1.660	2.000	36.00
1 1/2"	E07615036	1	1.900	2.000	36.00
2"	E07620036	1	2.375	2.000	36.00
2 1/2"	E07625036	1	2.875	3.000	36.00
3"	E07630036	1	3.500	3.125	36.00
3 1/2"	E07635036	1	4.000	3.250	36.00
4"	E07640036	1	4.500	3.375	36.00
5"	E07650036	1	5.565	3.625	36.00
6"	E07660036	1	6.625	3.750	36.00

SCH 40 SPECIAL RADIUS ELBOW PLAIN END 45° 48" RADIUS



SIZE (IN)	RBP PART NUMBER	CARTON QUANTITY	DIAMETER (D) (IN)	LENGTH (L) (IN)	RADIUS (R) (IN)
1"	E07610048	1	1.315	1.875	48.00
1 1/4"	E07612548	1	1.660	2.000	48.00
1 1/2"	E07615048	1	1.900	2.000	48.00
2"	E07620048	1	2.375	2.000	48.00
2 1/2"	E07625048	1	2.875	3.000	48.00
3"	E07630048	1	3.500	3.125	48.00
3 1/2"	E07635048	1	4.000	3.250	48.00
4"	E07640048	1	4.500	3.375	48.00
5"	E07650048	1	5.565	3.625	48.00
6"	E07660048	1	6.625	3.750	48.00

SCH 80 STANDARD ELBOWS 90° PLAIN END



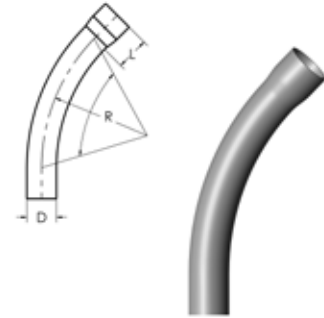
SIZE (IN)	RBP PART NUMBER	CARTON QUANTITY	DIAMETER (D) (IN)	LENGTH (L) (IN)	RADIUS (R) (IN)
1/2"	E085050	50	0.840	1.500	4.00
3/4"	E085075	35	1.050	1.500	4.50
1"	E085100	20	1.315	1.875	5.75
1 1/4"	E085125	30	1.660	2.000	7.25
1 1/2"	E085150	30	1.900	2.000	8.25
2"	E085200	15	2.375	2.000	9.50
2 1/2"	E085250	18	2.875	3.000	10.50
3"	E085300	14	3.500	3.125	13.00
4"	E085400	10	4.500	3.375	16.00
5"	E085500	1	5.565	3.625	24.00
6"	E085600	1	6.625	3.750	30.00

RIGID PVC CONDUIT FITTINGS

Length and radius meet minimum dimensions.

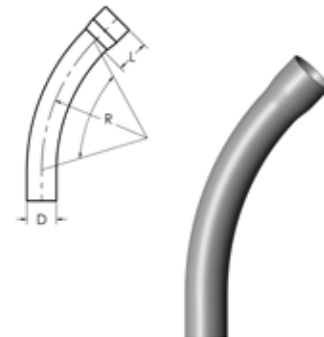
SIZE (IN)	RBP PART NUMBER	CARTON QUANTITY	DIAMETER (D) (IN)	LENGTH (L) (IN)	RADIUS (R) (IN)
2"	E08020036	1	2.375	2.000	36.00
2 1/2"	E08025036	1	2.875	3.000	36.00
3"	E08030036	1	3.500	3.125	36.00
3 1/2"	E08035036	1	4.000	3.250	36.00
4"	E08040036	1	4.500	3.375	36.00
5"	E08050036	1	5.565	3.625	36.00
6"	E08060036	1	6.625	3.750	36.00

SCH 40 SPECIAL RADIUS ELBOW BELL END 45° 36" RADIUS



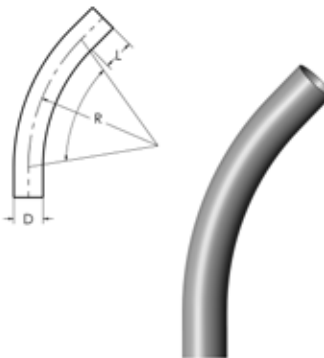
SIZE (IN)	RBP PART NUMBER	CARTON QUANTITY	DIAMETER (D) (IN)	LENGTH (L) (IN)	RADIUS (R) (IN)
2"	E08020048	1	2.375	2.000	48.00
2 1/2"	E08025048	1	2.875	3.000	48.00
3"	E08030048	1	3.500	3.125	48.00
3 1/2"	E08035048	1	4.000	3.250	48.00
4"	E08040048	1	4.500	3.375	48.00
5"	E08050048	1	5.565	3.625	48.00
6"	E08060048	1	6.625	3.750	48.00

SCH 40 SPECIAL RADIUS ELBOW BELL END 45° 48" RADIUS



SIZE (IN)	RBP PART NUMBER	CARTON QUANTITY	DIAMETER (D) (IN)	LENGTH (L) (IN)	RADIUS (R) (IN)
1/2"	E086050	50	0.840	1.500	4.00
3/4"	E086075	25	1.050	1.500	4.50
1"	E086100	20	1.315	1.875	5.75
1 1/4"	E086125	25	1.660	2.000	7.25
1 1/2"	E086150	20	1.900	2.000	8.25
2"	E086200	10	2.375	2.000	9.50
2 1/2"	E086250	20	2.875	3.000	10.50
3"	E086300	8	3.500	3.125	13.00
4"	E086400	20	4.500	3.375	16.00
5"	E086500	1	5.565	3.625	24.00
6"	E086600	1	6.625	3.750	30.00

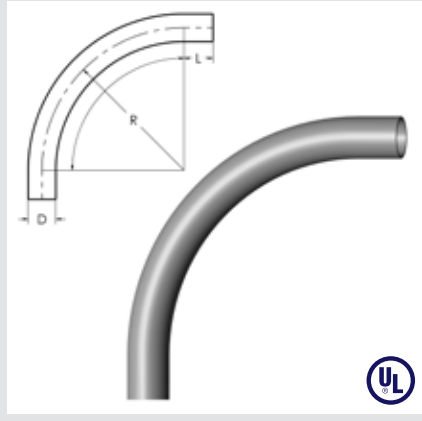
SCH 80 STANDARD ELBOWS 45° PLAIN END



RIGID PVC CONDUIT FITTINGS

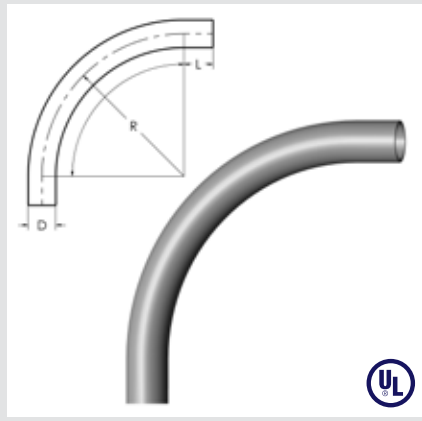
Length and radius meet minimum dimensions.

SCH 80 SPECIAL RADIUS ELBOW PLAIN END 90° 24" RADIUS



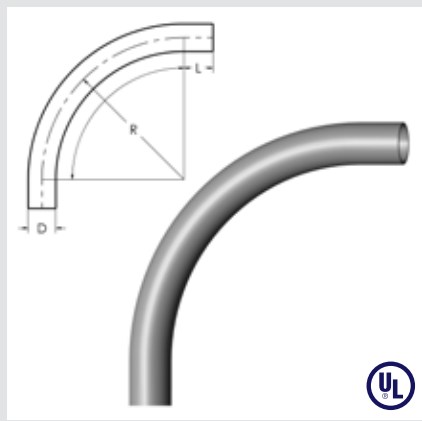
SIZE (IN)	RBP PART NUMBER	CARTON QUANTITY	DIAMETER (D) (IN)	LENGTH (L) (IN)	RADIUS (R) (IN)
1"	E07710024	1	1.315	1.875	24.00
1 1/4"	E07712524	1	1.660	2.000	24.00
1 1/2"	E07715024	1	1.900	2.000	24.00
2"	E07720024	1	2.375	2.000	24.00
2 1/2"	E07725024	1	2.875	3.000	24.00
3"	E07730024	1	3.500	3.125	24.00
4"	E07740024	1	4.500	3.375	24.00

SCH 80 SPECIAL RADIUS ELBOW PLAIN END 90° 36" RADIUS



SIZE (IN)	RBP PART NUMBER	CARTON QUANTITY	DIAMETER (D) (IN)	LENGTH (L) (IN)	RADIUS (R) (IN)
1"	E07710036	1	1.315	1.875	36.00
1 1/4"	E07712536	1	1.660	2.000	36.00
1 1/2"	E07715036	1	1.900	2.000	36.00
2"	E07720036	1	2.375	2.000	36.00
2 1/2"	E07725036	1	2.875	3.000	36.00
3"	E07730036	1	3.500	3.125	36.00
4"	E07740036	1	4.500	3.375	36.00
5"	E07750036	1	5.565	3.625	36.00
6"	E07760036	1	6.625	3.750	36.00

SCH 80 SPECIAL RADIUS ELBOW PLAIN END 90° 48" RADIUS



SIZE (IN)	RBP PART NUMBER	CARTON QUANTITY	DIAMETER (D) (IN)	LENGTH (L) (IN)	RADIUS (R) (IN)
1"	E07710048	1	1.315	1.875	48.00
1 1/4"	E07712548	1	1.660	2.000	48.00
1 1/2"	E07715048	1	1.900	2.000	48.00
2"	E07720048	1	2.375	2.000	48.00
2 1/2"	E07725048	1	2.875	3.000	48.00
3"	E07730048	1	3.500	3.125	48.00
4"	E07740048	1	4.500	3.375	48.00
5"	E07750048	1	5.565	3.625	48.00
6"	E07760048	1	6.625	3.750	48.00

RIGID PVC CONDUIT FITTINGS

Length and radius meet minimum dimensions.

SIZE (IN)	RBP PART NUMBER	CARTON QUANTITY	DIAMETER (D) (IN)	LENGTH (L) (IN)	RADIUS (R) (IN)
1"	E08210024	1	1.315	1.875	24.00
1 1/4"	E08212524	1	1.660	2.000	24.00
1 1/2"	E08215024	1	1.900	2.000	24.00
2"	E08220024	1	2.375	2.000	24.00
2 1/2"	E08225024	1	2.875	3.000	24.00
3"	E08230024	1	3.500	3.125	24.00
4"	E08240024	1	4.500	3.375	24.00

**SCH 80 SPECIAL RADIUS ELBOW
BELL END 90° 24" RADIUS**



SIZE (IN)	RBP PART NUMBER	CARTON QUANTITY	DIAMETER (D) (IN)	LENGTH (L) (IN)	RADIUS (R) (IN)
1"	E08210036	1	1.315	1.875	36.00
1 1/4"	E08212536	1	1.660	2.000	36.00
1 1/2"	E08215036	1	1.900	2.000	36.00
2"	E08220036	1	2.375	2.000	36.00
2 1/2"	E08225036	1	2.875	3.000	36.00
3"	E08230036	1	3.500	3.125	36.00
4"	E08240036	1	4.500	3.375	36.00
5"	E08250036	1	5.565	3.625	36.00
6"	E08260036	1	6.625	3.750	36.00

**SCH 80 SPECIAL RADIUS ELBOW
BELL END 90° 36" RADIUS**



SIZE (IN)	RBP PART NUMBER	CARTON QUANTITY	DIAMETER (D) (IN)	LENGTH (L) (IN)	RADIUS (R) (IN)
1"	E08210048	1	1.315	1.875	48.00
1 1/4"	E08212548	1	1.660	2.000	48.00
1 1/2"	E08215048	1	1.900	2.000	48.00
2"	E08220048	1	2.375	2.000	48.00
2 1/2"	E08225048	1	2.875	3.000	48.00
3"	E08230048	1	3.500	3.125	48.00
4"	E08240048	1	4.500	3.375	48.00
5"	E08250048	1	5.565	3.625	48.00

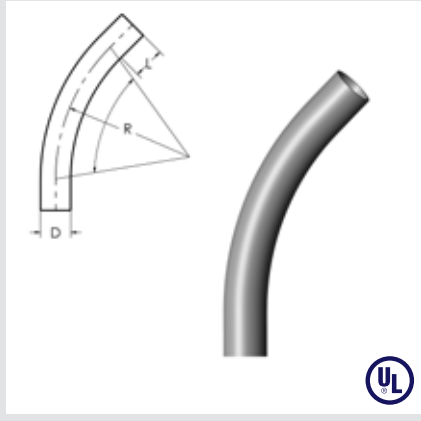
**SCH 80 SPECIAL RADIUS ELBOW
BELL END 90° 48" RADIUS**



RIGID PVC CONDUIT FITTINGS

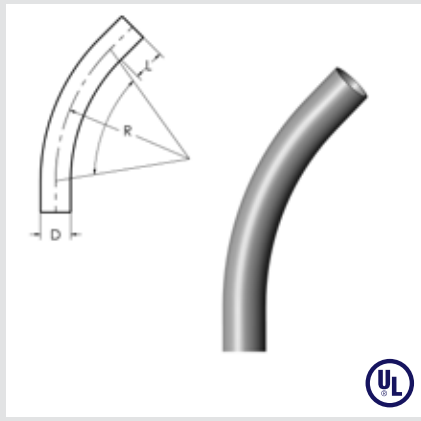
Length and radius meet minimum dimensions.

SCH 80 SPECIAL RADIUS ELBOW PLAIN END 45° 24" RADIUS



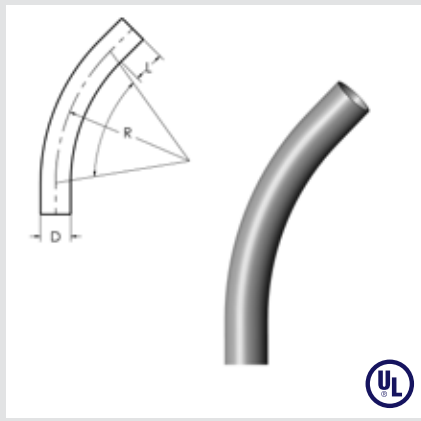
SIZE (IN)	RBP PART NUMBER	CARTON QUANTITY	DIAMETER (D) (IN)	LENGTH (L) (IN)	RADIUS (R) (IN)
1"	E07810024	1	1.315	1.875	24.00
1 1/4"	E07812524	1	1.660	2.000	24.00
1 1/2"	E07815024	1	1.900	2.000	24.00
2"	E07820024	1	2.375	2.000	24.00
2 1/2"	E07825024	1	2.875	3.000	24.00
3"	E07830024	1	3.500	3.125	24.00
4"	E07840024	1	4.500	3.375	24.00

SCH 80 SPECIAL RADIUS ELBOW PLAIN END 45° 36" RADIUS



SIZE (IN)	RBP PART NUMBER	CARTON QUANTITY	DIAMETER (D) (IN)	LENGTH (L) (IN)	RADIUS (R) (IN)
1"	E07810036	1	1.315	1.875	36.00
1 1/4"	E07812536	1	1.660	2.000	36.00
1 1/2"	E07815036	1	1.900	2.000	36.00
2"	E07820036	1	2.375	2.000	36.00
2 1/2"	E07825036	1	2.875	3.000	36.00
3"	E07830036	1	3.500	3.125	36.00
4"	E07840036	1	4.500	3.375	36.00
5"	E07850036	1	5.565	3.625	36.00
6"	E07860036	1	6.625	3.750	36.00

SCH 80 SPECIAL RADIUS ELBOW PLAIN END 45° 48" RADIUS



SIZE (IN)	RBP PART NUMBER	CARTON QUANTITY	DIAMETER (D) (IN)	LENGTH (L) (IN)	RADIUS (R) (IN)
1"	E07810048	1	1.315	1.875	48.00
1 1/4"	E07812548	1	1.660	2.000	48.00
1 1/2"	E07815048	1	1.900	2.000	48.00
2"	E07820048	1	2.375	2.000	48.00
2 1/2"	E07825048	1	2.875	3.000	48.00
3"	E07830048	1	3.500	3.125	48.00
4"	E07840048	1	4.500	3.375	48.00
5"	E07850048	1	5.565	3.625	48.00

RIGID PVC CONDUIT FITTINGS

Length and radius meet minimum dimensions.

SIZE (IN)	RBP PART NUMBER	CARTON QUANTITY	DIAMETER (D) (IN)	LENGTH (L) (IN)	RADIUS (R) (IN)
1"	E08310024	1	1.315	1.875	24.00
1 1/4"	E08312524	1	1.660	2.000	24.00
1 1/2"	E08315024	1	1.900	2.000	24.00
2"	E08320024	1	2.375	2.000	24.00
2 1/2"	E08325024	1	2.875	3.000	24.00
3"	E08330024	1	3.500	3.125	24.00
4"	E08340024	1	4.500	3.375	24.00

SCH 80 SPECIAL RADIUS ELBOW BELL END 45° 24" RADIUS



SIZE (IN)	RBP PART NUMBER	CARTON QUANTITY	DIAMETER (D) (IN)	LENGTH (L) (IN)	RADIUS (R) (IN)
1"	E08310036	1	1.315	1.875	36.00
1 1/4"	E08312536	1	1.660	2.000	36.00
1 1/2"	E08315036	1	1.900	2.000	36.00
2"	E08320036	1	2.375	2.000	36.00
2 1/2"	E08325036	1	2.875	3.000	36.00
3"	E08330036	1	3.500	3.125	36.00
4"	E08340036	1	4.500	3.375	36.00
5"	E08350036	1	5.565	3.625	36.00
6"	E08360036	1	6.625	3.750	36.00

SCH 80 SPECIAL RADIUS ELBOW BELL END 45° 36" RADIUS



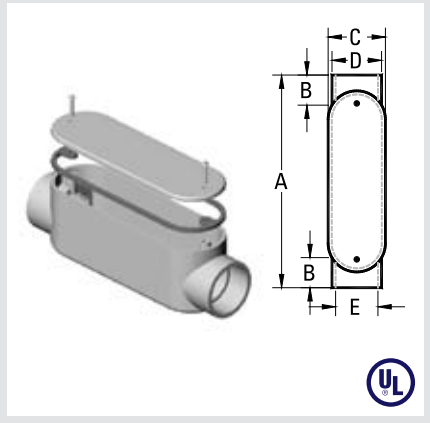
SIZE (IN)	RBP PART NUMBER	CARTON QUANTITY	DIAMETER (D) (IN)	LENGTH (L) (IN)	RADIUS (R) (IN)
1"	E08310048	1	1.315	1.875	48.00
1 1/4"	E08312548	1	1.660	2.000	48.00
1 1/2"	E08315048	1	1.900	2.000	48.00
2"	E08320048	1	2.375	2.000	48.00
2 1/2"	E08325048	1	2.875	3.000	48.00
3"	E08330048	1	3.500	3.125	48.00
4"	E08340048	1	4.500	3.375	48.00
5"	E08350048	1	5.565	3.625	48.00

SCH 80 SPECIAL RADIUS ELBOW BELL END 45° 48" RADIUS



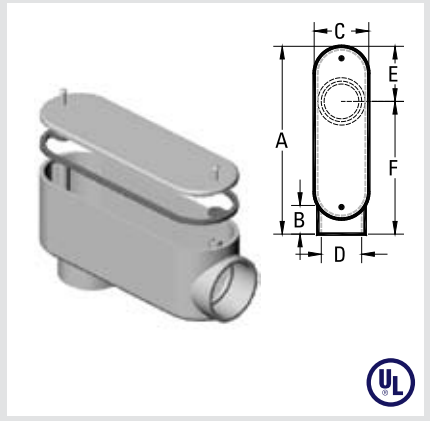
RIGID PVC CONDUIT FITTINGS

ACCESS FITTING TYPE C (SELF-TAPPING SCREWS)



SIZE (IN)	RBP PART NUMBER	CARTON QUANTITY	A (IN)	B (IN)	C (IN)	D (IN)	E (IN)
1/2"	E032050	25	4.540	0.520	1.320	1.052	0.840
3/4"	E032075	15	5.650	0.740	1.530	1.264	1.050
1"	E032100	10	6.520	0.810	1.730	1.540	1.315
1 1/4"	E032125	10	7.940	0.990	2.270	1.927	1.660
1 1/2"	E032150	10	8.580	0.980	2.600	2.168	1.900
2"	E032200	5	10.880	1.040	3.230	2.663	2.375
2 1/2"	E032250	5	14.600	1.740	4.500	3.230	2.875
3"	E032300	5	14.600	1.740	4.500	3.957	3.500
3 1/2"	E032350	4	16.860	1.660	5.560	4.477	4.000
4"	E032400	4	16.860	1.660	5.560	4.999	4.500

ACCESS FITTING TYPE LB (SELF-TAPPING SCREWS)

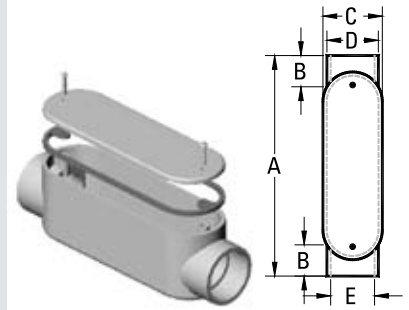


SIZE (IN)	RBP PART NUMBER	CARTON QUANTITY	A (IN)	B (IN)	C (IN)	D (IN)	E (IN)	F (IN)
1/2"	E033050	25	4.280	0.520	1.320	0.840	1.000	3.280
3/4"	E033075	15	5.380	0.740	1.530	1.050	1.230	4.150
1"	E033100	10	6.240	0.810	1.730	1.315	1.400	4.840
1 1/4"	E033125	10	7.700	0.990	2.270	1.660	1.880	5.820
1 1/2"	E033150	10	8.310	0.980	2.600	1.900	1.880	6.430
2"	E033200	5	10.540	1.040	3.230	2.375	2.370	8.170
2 1/2"	E033250	5	13.600	1.740	4.500	2.875	2.660	10.940
3"	E033300	5	13.600	1.740	4.500	3.500	2.660	10.940
3 1/2"	E033350	4	15.980	1.660	5.560	4.000	3.230	12.750
4"	E033400	4	15.980	1.660	5.560	4.500	3.230	12.750

RIGID PVC CONDUIT FITTINGS

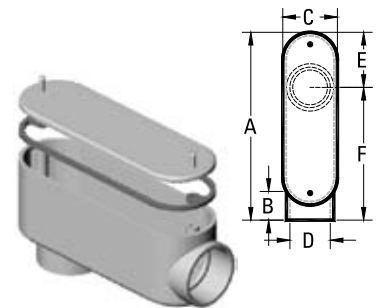
SIZE (IN)	RBP PART NUMBER	CARTON QUANTITY	A (IN)	B (IN)	C (IN)	D (IN)	E (IN)
1/2"	E532050	30	4.540	0.520	1.320	1.052	0.840
3/4"	E532075	20	5.650	0.740	1.530	1.264	1.050
1"	E532100	15	6.520	0.810	1.730	1.540	1.315
1 1/4"	E532125	15	7.940	0.990	2.270	1.927	1.660
1 1/2"	E532150	10	8.580	0.980	2.600	2.168	1.900
2"	E532200	15	10.880	1.040	3.230	2.663	2.375
2 1/2"	E532250	4	14.600	1.740	4.500	3.230	2.875
3"	E532300	4	14.600	1.740	4.500	3.957	3.500
3 1/2"	E532350	4	16.860	1.660	5.560	4.477	4.000
4"	E532400	4	16.860	1.660	5.560	4.999	4.500

ACCESS FITTING TYPE C (BRASS SCREWS AND INSERTS)



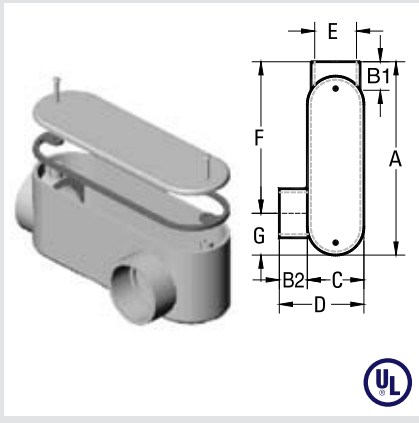
SIZE (IN)	RBP PART NUMBER	CARTON QUANTITY	A (IN)	B (IN)	C (IN)	D (IN)	E (IN)	F (IN)
1/2"	E533050	25	4.280	0.520	1.320	0.840	1.000	3.280
3/4"	E533075	25	5.380	0.740	1.530	1.050	1.230	4.150
1"	E533100	15	6.240	0.810	1.730	1.315	1.400	4.840
1 1/4"	E533125	20	7.700	0.990	2.270	1.660	1.880	5.820
1 1/2"	E533150	10	8.310	0.980	2.600	1.900	1.880	6.430
2"	E533200	15	10.540	1.040	3.230	2.375	2.370	8.170
2 1/2"	E533250	5	13.600	1.740	4.500	2.875	2.660	10.940
3"	E533300	5	13.600	1.740	4.500	3.500	2.660	10.940
3 1/2"	E533350	5	15.980	1.660	5.560	4.000	3.230	12.750
4"	E533400	5	15.980	1.660	5.560	4.500	3.230	12.750

ACCESS FITTING TYPE LB (BRASS SCREWS AND INSERTS)



RIGID PVC CONDUIT FITTINGS

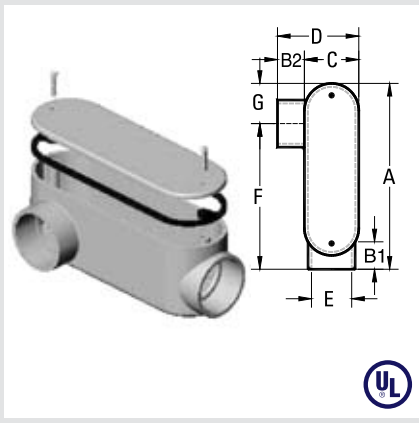
ACCESS FITTING TYPE LL (SELF-TAPPING SCREWS)



SIZE (IN)	RBP PART NUMBER	CARTON QUANTITY	A (IN)	B1 (IN)	B2 (IN)	C (IN)	D (IN)	E (IN)	F (IN)	G (IN)
-----------	-----------------	-----------------	--------	---------	---------	--------	--------	--------	--------	--------

1/2"	E034050	25	4.280	0.520	0.660	1.320	1.980	0.840	3.290	0.990
3/4"	E034075	15	5.380	0.740	0.840	1.530	2.370	1.050	4.150	1.230
1"	E034100	10	6.240	0.810	0.900	1.730	2.630	1.315	4.840	1.400
1 1/4"	E034125	10	7.700	0.990	1.100	2.270	3.370	1.660	5.820	1.880
1 1/2"	E034150	10	8.310	0.980	1.120	2.600	3.720	1.900	6.430	1.880
2"	E034200	5	10.540	1.040	1.070	3.230	4.300	2.375	8.160	2.380
2 1/2"	E034250	5	13.600	1.740	1.820	4.500	6.320	2.875	9.760	3.840
3"	E034300	5	13.600	1.740	1.820	4.500	6.320	3.500	9.760	3.840
3 1/2"	E034350	4	15.980	1.660	2.020	5.560	7.580	4.000	11.480	4.500
4"	E034400	4	15.980	1.660	2.020	5.560	7.580	4.500	11.480	4.500

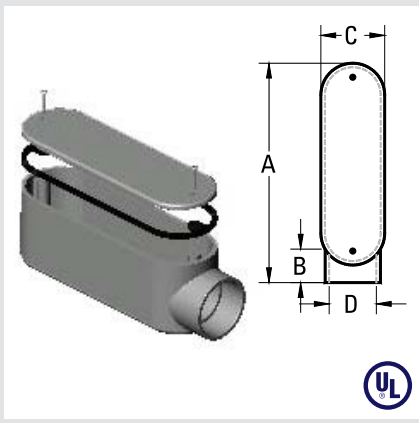
ACCESS FITTING TYPE LR (SELF-TAPPING SCREWS)



SIZE (IN)	RBP PART NUMBER	CARTON QUANTITY	A (IN)	B1 (IN)	B2 (IN)	C (IN)	D (IN)	E (IN)	F (IN)	G (IN)
-----------	-----------------	-----------------	--------	---------	---------	--------	--------	--------	--------	--------

1/2"	E035050	25	4.280	0.520	0.660	1.320	1.980	0.840	3.290	0.990
3/4"	E035075	15	5.380	0.740	0.840	1.530	2.370	1.050	4.150	1.230
1"	E035100	10	6.240	0.810	0.900	1.730	2.630	1.315	4.840	1.400
1 1/4"	E035125	10	7.700	0.990	1.100	2.270	3.370	1.660	5.820	1.880
1 1/2"	E035150	10	8.310	0.980	1.120	2.600	3.720	1.900	6.430	1.880
2"	E035200	5	10.540	1.040	1.070	3.230	4.300	2.375	8.160	2.380
2 1/2"	E035250	5	13.600	1.740	1.820	4.500	6.320	2.875	9.760	3.840
3"	E035300	5	13.600	1.740	1.820	4.500	6.320	3.500	9.760	3.840
3 1/2"	E035350	4	15.980	1.660	2.020	5.560	7.580	4.000	11.480	4.500
4"	E035400	4	15.980	1.660	2.020	5.560	7.580	4.500	11.480	4.500

ACCESS FITTING TYPE E (SELF-TAPPING SCREWS)



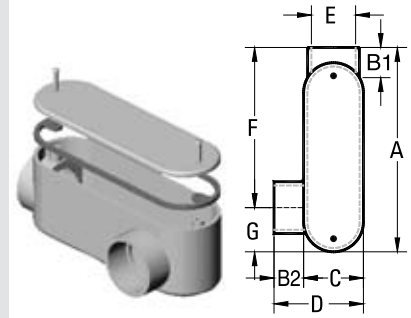
SIZE (IN)	RBP PART NUMBER	CARTON QUANTITY	A (IN)	B (IN)	C (IN)	D (IN)
-----------	-----------------	-----------------	--------	--------	--------	--------

1/2"	E036050	25	4.280	0.520	1.320	0.840
3/4"	E036075	15	5.380	0.740	1.530	1.050
1"	E036100	10	6.240	0.810	1.730	1.315
1 1/4"	E036125	10	7.700	0.990	2.270	1.660
1 1/2"	E036150	10	8.310	0.980	2.600	1.900
2"	E036200	5	10.540	1.040	3.230	2.375
2 1/2"	E036250	5	13.600	1.740	4.500	2.875
3"	E036300	5	13.600	1.740	4.500	3.500
3 1/2"	E036350	4	15.980	1.660	5.560	4.000
4"	E036400	4	15.980	1.660	5.560	4.500

RIGID PVC CONDUIT FITTINGS

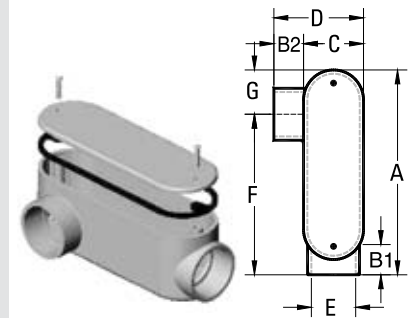
SIZE (IN)	RBP PART NUMBER	CARTON QUANTITY	A (IN)	B1 (IN)	B2 (IN)	C (IN)	D (IN)	E (IN)	F (IN)	G (IN)
1/2"	E534050	25	4.280	0.520	0.660	1.320	1.980	0.840	3.290	0.990
3/4"	E534075	20	5.380	0.740	0.840	1.530	2.370	1.050	4.150	1.230
1"	E534100	15	6.240	0.810	0.900	1.730	2.630	1.315	4.840	1.400
1 1/4"	E534125	10	7.700	0.990	1.100	2.270	3.370	1.660	5.820	1.880
1 1/2"	E534150	10	8.310	0.980	1.120	2.600	3.720	1.900	6.430	1.880
2"	E534200	10	10.540	1.040	1.070	3.230	4.300	2.375	8.160	2.380
2 1/2"	E534250	4	13.600	1.740	1.820	4.500	6.320	2.875	9.760	3.840
3"	E534300	4	13.600	1.740	1.820	4.500	6.320	3.500	9.760	3.840
3 1/2"	E534350	5	15.980	1.660	2.020	5.560	7.580	4.000	11.480	4.500
4"	E534400	5	15.980	1.660	2.020	5.560	7.580	4.500	11.480	4.500

ACCESS FITTING TYPE LL (BRASS SCREWS AND INSERTS)



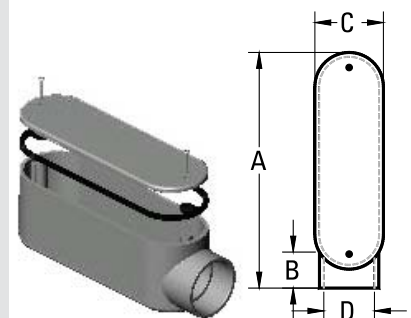
SIZE (IN)	RBP PART NUMBER	CARTON QUANTITY	A (IN)	B1 (IN)	B2 (IN)	C (IN)	D (IN)	E (IN)	F (IN)	G (IN)
1/2"	E535050	25	4.280	0.520	0.660	1.320	1.980	0.840	3.290	0.990
3/4"	E535075	20	5.380	0.740	0.840	1.530	2.370	1.050	4.150	1.230
1"	E535100	15	6.240	0.810	0.900	1.730	2.630	1.315	4.840	1.400
1 1/4"	E535125	10	7.700	0.990	1.100	2.270	3.370	1.660	5.820	1.880
1 1/2"	E535150	10	8.310	0.980	1.120	2.600	3.720	1.900	6.430	1.880
2"	E535200	10	10.540	1.040	1.070	3.230	4.300	2.375	8.160	2.380
2 1/2"	E535250	4	13.600	1.740	1.820	4.500	6.320	2.875	9.760	3.840
3"	E535300	4	13.600	1.740	1.820	4.500	6.320	3.500	9.760	3.840
3 1/2"	E535350	5	15.980	1.660	2.020	5.560	7.580	4.000	11.480	4.500
4"	E535400	5	15.980	1.660	2.020	5.560	7.580	4.500	11.480	4.500

ACCESS FITTING TYPE LR (BRASS SCREWS AND INSERTS)



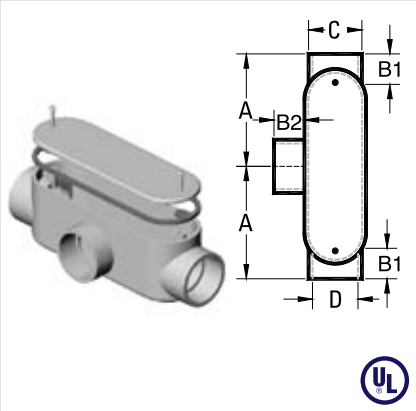
SIZE (IN)	RBP PART NUMBER	CARTON QUANTITY	A (IN)	B (IN)	C (IN)	D (IN)
1/2"	E536050	30	4.280	0.520	1.320	0.840
3/4"	E536075	20	5.380	0.740	1.530	1.050
1"	E536100	15	6.240	0.810	1.730	1.315
1 1/4"	E536125	20	7.700	0.990	2.270	1.660
1 1/2"	E536150	10	8.310	0.980	2.600	1.900
2"	E536200	15	10.540	1.040	3.230	2.375
2 1/2"	E536250	4	13.600	1.740	4.500	2.875
3"	E536300	4	13.600	1.740	4.500	3.500
3 1/2"	E536350	4	15.980	1.660	5.560	4.000
4"	E536400	4	15.980	1.660	5.560	4.500

ACCESS FITTING TYPE E (BRASS SCREWS AND INSERTS)



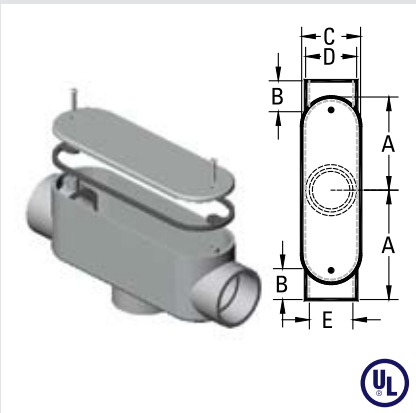
RIGID PVC CONDUIT FITTINGS

ACCESS FITTING TYPE T (SELF-TAPPING SCREWS)



SIZE (IN)	RBP PART NUMBER	CARTON QUANTITY	A (IN)	B1 (IN)	B2 (IN)	C (IN)	D (IN)
1/2"	E037050	25	2.270	0.520	0.660	1.320	0.840
3/4"	E037075	15	2.820	0.740	0.840	1.530	1.050
1"	E037100	10	3.260	0.810	0.900	1.730	1.315
1 1/4"	E037125	10	3.970	0.990	1.100	2.270	1.660
1 1/2"	E037150	10	4.290	0.980	1.120	2.600	1.900
2"	E037200	5	5.270	1.040	1.070	3.230	2.375
2 1/2"	E037250	2	7.300	1.740	1.820	4.500	2.875
3"	E037300	2	7.300	1.740	1.820	4.500	3.500
3 1/2"	E037350	1	8.430	1.660	2.020	5.560	4.000
4"	E037400	1	8.430	1.660	2.020	5.560	4.500

ACCESS FITTING TYPE TB (SELF-TAPPING SCREWS)

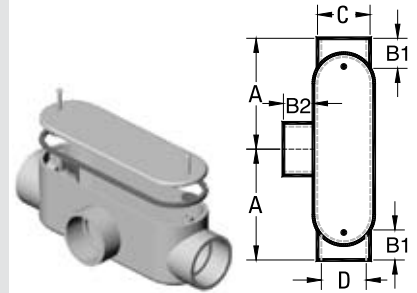


SIZE (IN)	RBP PART NUMBER	CARTON QUANTITY	A (IN)	B (IN)	C (IN)	D (IN)	E (IN)
1/2"	E069050	30	2.270	0.520	1.320	1.052	0.840
3/4"	E069075	20	2.820	0.740	1.530	1.264	1.050
1"	E069100	10	3.260	0.810	1.730	1.540	1.315
1 1/4"	E069125	10	3.970	0.990	2.270	1.927	1.660
1 1/2"	E069150	15	4.290	0.980	2.600	2.168	1.900
2"	E069200	10	5.440	1.040	3.230	2.663	2.375
2 1/2"	E069250	10	7.300	1.740	4.500	3.230	2.875
3"	E069300	4	7.300	1.740	4.500	3.957	3.500
3 1/2"	E069350	4	8.430	1.660	5.560	4.477	4.000
4"	E069400	4	8.430	1.660	5.560	4.999	4.500

RIGID PVC CONDUIT FITTINGS

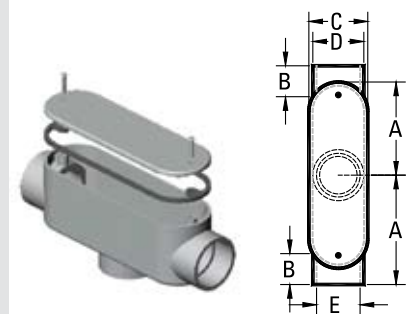
SIZE (IN)	RBP PART NUMBER	CARTON QUANTITY	A (IN)	B1 (IN)	B2 (IN)	C (IN)	D (IN)
1/2"	E537050	30	2.270	0.520	0.660	1.320	0.840
3/4"	E537075	20	2.820	0.740	0.840	1.530	1.050
1"	E537100	25	3.260	0.810	0.900	1.730	1.315
1 1/4"	E537125	15	3.970	0.990	1.100	2.270	1.660
1 1/2"	E537150	10	4.290	0.980	1.120	2.600	1.900
2"	E537200	10	5.270	1.040	1.070	3.230	2.375
2 1/2"	E537250	4	7.300	1.740	1.820	4.500	2.875
3"	E537300	4	7.300	1.740	1.820	4.500	3.500
3 1/2"	E537350	4	8.430	1.660	2.020	5.560	4.000
4"	E537400	4	8.430	1.660	2.020	5.560	4.500

ACCESS FITTING TYPE T (BRASS SCREWS AND INSERTS)



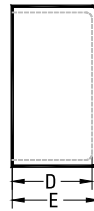
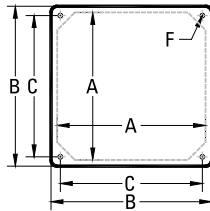
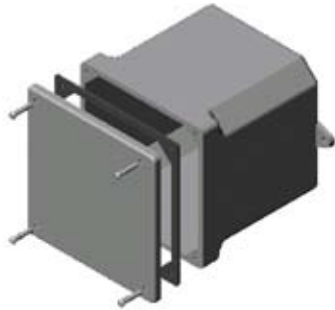
SIZE (IN)	RBP PART NUMBER	CARTON QUANTITY	A (IN)	B (IN)	C (IN)	D (IN)	E (IN)
1/2"	E569050	30	2.270	0.520	1.320	1.052	0.840
3/4"	E569075	20	2.820	0.740	1.530	1.264	1.050
1"	E569100	10	3.260	0.810	1.730	1.540	1.315
1 1/4"	E569125	10	3.970	0.990	2.270	1.927	1.660
1 1/2"	E569150	15	4.290	0.980	2.600	2.168	1.900
2"	E569200	10	5.440	1.040	3.230	2.663	2.375
2 1/2"	E569250	10	7.300	1.740	4.500	3.230	2.875
3"	E569300	4	7.300	1.740	4.500	3.957	3.500
3 1/2"	E569350	4	8.430	1.660	5.560	4.477	4.000
4"	E569400	4	8.430	1.660	5.560	4.999	4.500

ACCESS FITTING TYPE TB (BRASS SCREWS AND INSERTS)



RIGID PVC CONDUIT FITTINGS

JUNCTION BOX WITH GASKET (SELF-TAPPING SCREWS)



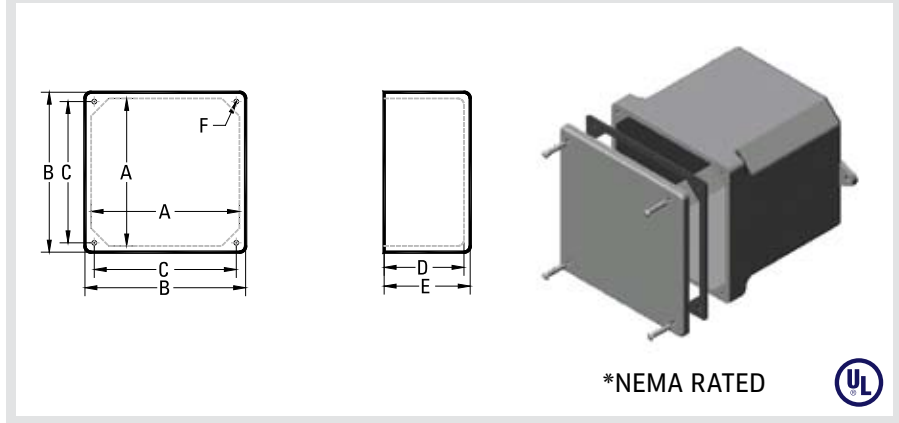
*NEMA RATED



SIZE (IN)	RBP PART NUMBER	CARTON QUANTITY	INSIDE LENGTH & WIDTH (A) (IN)	OUTSIDE LENGTH & WIDTH (B) (IN)	LENGTH SCREW TO SCREW (C) (IN)	OUTSIDE HEIGHT (E) (IN)	INSIDE HEIGHT (D) (IN)	SCREW SIZE (F)	VOLUME (IN ³)
4 x 4 x 2	E051442	10	3.675	4.000	3.450	2.125	2.000	8-32	25.4
4 x 4 x 4*	E051444	10	3.675	4.000	3.450	4.188	3.750	8-32	47.5
4 x 4 x 6*	E051446	10	3.675	4.000	3.450	6.225	6.000	8-32	76.1
5 x 5 x 2*	E051552	10	4.680	5.000	4.485	2.000	1.845	8-32	38.7
6 x 6 x 4	E051664	10	6.000	6.375	5.813	4.188	4.000	10-32	139.5
6 x 6 x 6	E051666	5	6.000	6.375	5.813	6.188	6.000	10-32	209.3
8 x 8 x 4	E051884	5	8.075	8.625	7.996	4.230	4.005	1/4-20	258.6
8 x 8 x 7	E051887	4	8.100	8.625	7.996	7.250	7.035	1/4-20	455.6
12 x 12 x 4	E05112124	2	12.085	12.580	11.874	4.256	4.030	1/4-20	578.3
12 x 12 x 6	E05112126	2	12.085	12.580	11.874	6.240	6.025	1/4-20	864.6
12 x 12 x 8*	E05112128	3	12.085	12.580	11.874	8.250	8.025	1/4-20	1,151.6

RIGID PVC CONDUIT FITTINGS

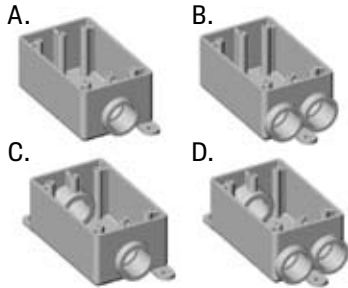
JUNCTION BOX WITH GASKET (BRASS SCREWS AND INSERTS)



SIZE (IN)	RBP PART NUMBER	CARTON QUANTITY	INSIDE LENGTH & WIDTH (A) (IN)	OUTSIDE LENGTH & WIDTH (B) (IN)	LENGTH TO SCREW (C) (IN)	OUTSIDE HEIGHT (E) (IN)	INSIDE HEIGHT (D) (IN)	SCREW SIZE (F)	VOLUME (IN ³)
4 x 4 x 2	E551442	15	3.675	4.000	3.450	2.125	2.000	8-32	25.4
4 x 4 x 4*	E551444	10	3.675	4.000	3.450	4.188	3.750	8-32	47.5
4 x 4 x 6*	E551446	8	3.675	4.000	3.450	6.225	6.000	8-32	76.1
5 x 5 x 2*	E551552	12	4.680	5.000	4.485	2.000	1.845	8-32	38.7
6 x 6 x 4	E551664	15	6.000	6.375	5.813	4.188	4.000	10-32	139.5
6 x 6 x 6	E551666	4	6.000	6.375	5.813	6.188	6.000	10-32	209.3
8 x 8 x 4	E551884	4	8.075	8.625	7.996	4.230	4.005	1/4-20	258.6
8 x 8 x 7	E551887	4	8.100	8.625	7.996	7.250	7.035	1/4-20	455.6
12 x 12 x 4	E55112124	2	12.085	12.580	11.874	4.256	4.030	1/4-20	578.3
12 x 12 x 6	E55112126	4	12.085	12.580	11.874	6.240	6.025	1/4-20	864.6
12 x 12 x 8*	E55112128	3	12.085	12.580	11.874	8.250	8.025	1/4-20	1,151.6

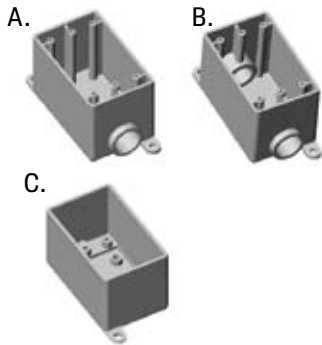
RIGID PVC CONDUIT FITTINGS

SINGLE GANG BOX F SERIES (SELF-TAPPING SCREWS)



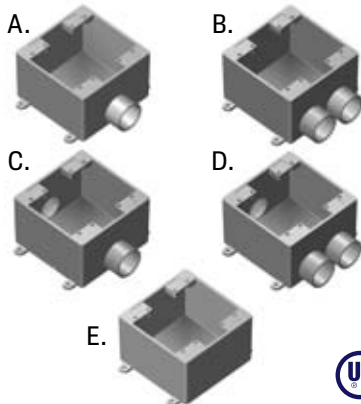
SIZE	RBP PART NUMBER	CARTON QUANTITY	VOLUME (IN ³)
A. 1/2" FS	E042001	10	17.0
A. 3/4" FS	E042002	10	17.0
B. 1/2" FSS	E042003	10	17.5
B. 3/4" FSS	E042004	10	17.5
C. 1/2" FSC	E042005	10	16.3
C. 3/4" FSC	E042006	10	16.3
D. 1/2" FSCC	E042007	10	17.0
D. 3/4" FSCC	E042008	10	17.0

SINGLE GANG DEEP BOX FD SERIES (SELF-TAPPING SCREWS)



SIZE	RBP PART NUMBER	CARTON QUANTITY	VOLUME (IN ³)
A. 1/2" FDS	E043001	10	26.8
A. 3/4" FDS	E043002	10	26.8
A. 1" FDS	E043003	10	26.8
B. 1/2" FDC	E043004	10	24.0
B. 3/4" FDC	E043005	10	24.0
B. 1" FDC	E043006	10	24.0
C. BLANK	E043007	10	29.0

DOUBLE GANG BOX F SERIES (SELF-TAPPING SCREWS)

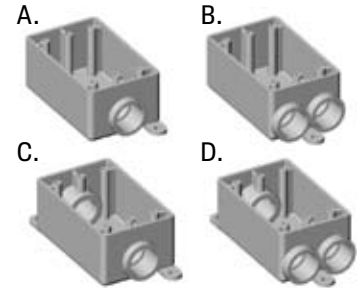


SIZE	RBP PART NUMBER	CARTON QUANTITY	VOLUME (IN ³)
A. 1/2" FS	E041001	10	39.5
A. 3/4" FS	E041002	10	39.5
A. 1" FS	E041003	10	39.5
B. 1/2" FSS	E041004	10	37.0
B. 3/4" FSS	E041005	10	37.0
B. 1" FSS	E041006	10	37.0
C. 1/2" FSC	E041007	10	37.0
C. 3/4" FSC	E041008	10	37.0
C. 1" FSC	E041009	10	37.0
D. 1/2" FSCC	E041011	10	36.0
D. 3/4" FSCC	E041012	10	36.0
D. 1" FSCC	E041013	10	36.0
E. BLANK	E041010	10	52.0

RIGID PVC CONDUIT FITTINGS

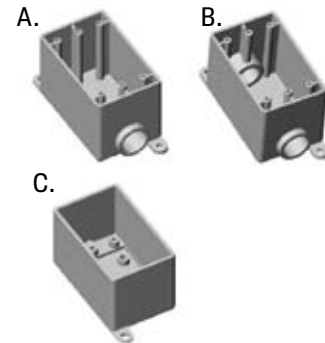
SIZE	RBP PART NUMBER	CARTON QUANTITY	VOLUME (IN ³)
A. 1/2" FS	E542001	10	17.0
A. 3/4" FS	E542002	10	17.0
B. 1/2" FSS	E542003	10	17.5
B. 3/4" FSS	E542004	10	17.5
C. 1/2" FSC	E542005	10	16.3
C. 3/4" FSC	E542006	10	16.3
D. 1/2" FSCC	E542007	10	17.0
D. 3/4" FSCC	E542008	10	17.0

SINGLE GANG BOX F SERIES (BRASS INSERTS)



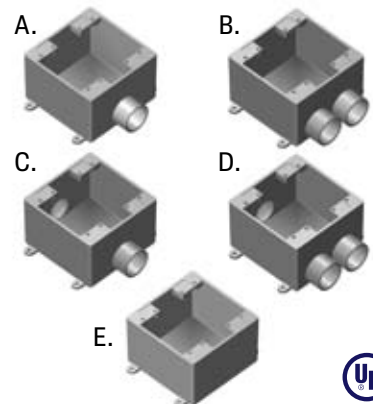
SIZE	RBP PART NUMBER	CARTON QUANTITY	VOLUME (IN ³)
A. 1/2" FDS	E543001	10	26.8
A. 3/4" FDS	E543002	10	26.8
A. 1" FDS	E543003	10	26.8
B. 1/2" FDC	E543004	10	24.0
B. 3/4" FDC	E543005	10	24.0
B. 1" FDC	E543006	10	24.0
C. BLANK	E543007	10	29.0

SINGLE GANG DEEP BOX FD SERIES (BRASS INSERTS)



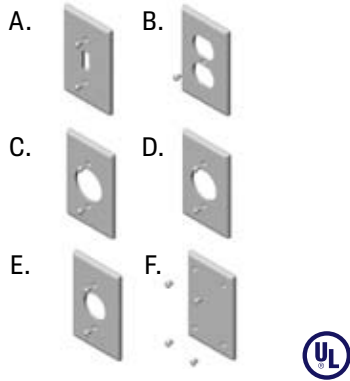
SIZE	RBP PART NUMBER	CARTON QUANTITY	VOLUME (IN ³)
A. 1/2" FS	E541001	10	39.5
A. 3/4" FS	E541002	10	39.5
A. 1" FS	E541003	10	39.5
B. 1/2" FSS	E541004	10	37.0
B. 3/4" FSS	E541005	10	37.0
B. 1" FSS	E541006	10	37.0
C. 1/2" FSC	E541007	10	37.0
C. 3/4" FSC	E541008	10	37.0
C. 1" FSC	E541009	10	37.0
D. 1/2" FSCC	E541011	10	36.0
D. 3/4" FSCC	E541012	10	36.0
D. 1" FSCC	E541013	10	36.0
E. BLANK	E541010	10	52.0

DOUBLE GANG BOX F SERIES (BRASS INSERTS)



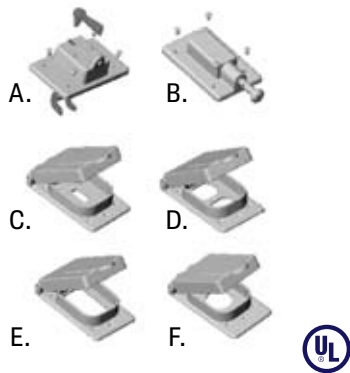
RIGID PVC CONDUIT FITTINGS

SINGLE GANG COVER PLATE F SERIES (SELF-TAPPING SCREWS)



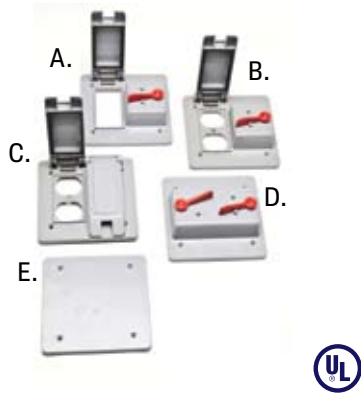
DESCRIPTION	RBP PART NUMBER	CARTON QUANTITY
A. Toggle	E046002	100
B. Duplex	E046001	100
C. Single 15 amp	E046004	100
D. Single 20 amp	E046003	100
E. Single 30 amp	E046005	100
F. Blank w/ gasket	E046006	50

SINGLE GANG WEATHERPROOF COVER PLATE (SELF-TAPPING SCREWS)



DESCRIPTION	RBP PART NUMBER	CARTON QUANTITY
A. Toggle w/cover	E047002	10
B. Plunger w/cover	E047008	10
C. Toggle	E047009	10
D. Duplex	E047001	10
D. Duplex White	E047010	20
E. Ground Fault	E047007	10
E. G.F. White	E047011	20
F. 15 AMP	E047003	10
F. 20 AMP	E047004	10
F. 30 AMP	E047005	10
F. 50 AMP	E047006	10

DOUBLE GANG WEATHERPROOF COVER PLATE (SELF-TAPPING SCREWS)

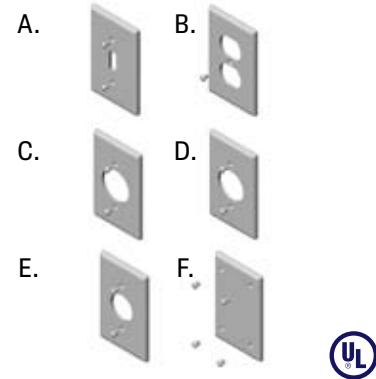


DESCRIPTION	RBP PART NUMBER	CARTON QUANTITY
A. GFI & Toggle	E049005	10
B. Duplex & Toggle	E049006	10
C. Double Duplex	E049007	10
D. Double Toggle	E049008	10
E. Blank	E049009	25

RIGID PVC CONDUIT FITTINGS

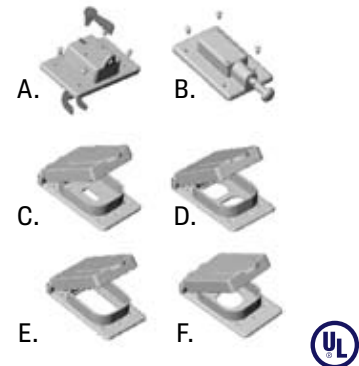
DESCRIPTION	RBP PART NUMBER	CARTON QUANTITY
A. Toggle	E546002	100
B. Duplex	E546001	100
C. Single 15 amp	E546004	100
D. Single 20 amp	E546003	100
E. Single 30 amp	E546005	100
F. Blank w/ gasket	E546006	100

SINGLE GANG COVER PLATE F SERIES (BRASS SCREWS)



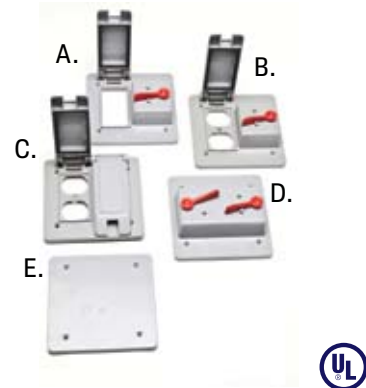
DESCRIPTION	RBP PART NUMBER	CARTON QUANTITY
A. Toggle w/cover	E547002	20
B. Plunger w/cover	E547008	20
C. Toggle	E547009	20
E. Duplex	E547001	20
D. Duplex White	E547010	20
E. Ground Fault	E547007	20
E. G.F. White	E547011	20
F. 15 AMP	E547003	20
F. 20 AMP	E547004	20
F. 30 AMP	E547005	20
F. 50 AMP	E547006	20

SINGLE GANG WEATHERPROOF COVER PLATE (BRASS SCREWS)



DESCRIPTION	RBP PART NUMBER	CARTON QUANTITY
A. GFI & Toggle	E549005	10
B. Duplex & Toggle	E549006	10
C. Double Duplex	E549007	10
D. Double Toggle	E549008	10
E. Blank	E549009	25

DOUBLE GANG WEATHERPROOF COVER PLATE (BRASS SCREWS)



RIGID PVC CONDUIT FITTINGS

JUNCTION BOX ADAPTER



SIZE (IN)	RBP PART NUMBER	CARTON QUANTITY
1/2"	E059050	100
3/4"	E059075	100
1"	E059100	100
1 1/4"	E059125	50
1 1/2"	E059150	50
2"	E059200	25
2 1/2"	E059250	10
3"	E059300	10
3 1/2"	E059350	10
4"	E059400	10

OCTAGONAL BOX



SIZE (IN)	RBP PART NUMBER	CARTON QUANTITY
4" x 1 1/2"	E028150	20
4" x 2"	E028200	12

OCTAGONAL BOX EXTENSION RING



SIZE (IN)	RBP PART NUMBER	CARTON QUANTITY
1"	E029100	20
2"	E029200	20

RIGID PVC CONDUIT FITTINGS

DESCRIPTION	RBP PART NUMBER	CARTON QUANTITY	SIZE (IN)
A. Electrical Mount	10000	10	7 1/2" x 7 1/2"
B. Standard	13000	10	7 1/2" x 7 3/4"
C. Flush	17000	10	7" x 7"
D. Large Coach	41000	10	7 5/8" x 12"
E. Meterbase	42000	1	14 1/2" x 19"
F. Mini Mount	43000	10	6" x 4 1/2"
G. Recessed Mini	44000	10	5 1/2" x 7 3/8"

Supplied in white Polyethylene

A. UL Listed

See individual product photos on page 8



SIZE (IN)	RBP PART NUMBER	CARTON QUANTITY
3/4" (4)	E068004	9
1" (2) 3/4" (2)	E068001	9

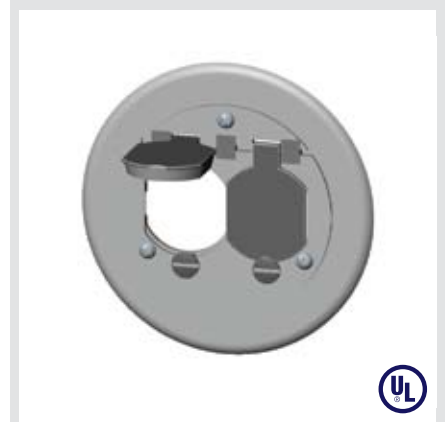
DUPLEX FLOOR BOX / LEVEL RING / POUR COVER / REDUCER BUSHING



39

DESCRIPTION	RBP PART NUMBER	CARTON QUANTITY
Poly Bronze Cover	E068003	10

DUPLEX FLOOR BOX COVER



RIGID PVC CONDUIT FITTINGS

STRAIN RELIEF CONNECTOR



SIZE (IN)	RBP PART NUMBER	CARTON QUANTITY
3/4"	E030075	25

THREADED STRAIN RELIEF CONNECTOR



SIZE (IN)	RBP PART NUMBER	CARTON QUANTITY
1/2"	E031050	25
3/4"	E031075	25

40

PULL ELBOW



SIZE (IN)	RBP PART NUMBER	CARTON QUANTITY
1/2"	E027050	75
3/4"	E027075	50

SOLVENT WELD END CAP



SIZE (IN)	RBP PART NUMBER	CARTON QUANTITY
1/2"	E026050	100
3/4"	E026075	100
1"	E026100	50
1 1/4"	E026125	25
1 1/2"	E026150	25
2"	E026200	50
2 1/2"	E026250	25
3"	E026300	25
3 1/2"	E026350	20
4"	E026400	25
5"	E026500	25
6"	E026600	10
8"	E026800	6

RIGID PVC CONDUIT FITTINGS

SIZE (IN)	RBP PART NUMBER	CARTON QUANTITY
3/4" x 1/2"	E0150705	200
1" x 1/2"	E0151005	200
1" x 3/4"	E0151007	200

THREADED REDUCER BUSHING



SIZE (IN)	RBP PART NUMBER	CARTON QUANTITY
1/2"	E070050	100
3/4"	E070075	100
1"	E070100	50
1 1/4"	E070125	50
1 1/2"	E070150	50
2"	E070200	40
2 1/2"	E070250	30
3"	E070300	50
3 1/2"	E070350	50
4"	E070400	50
5"	E070500	25
6"	E070600	15

BELL END (HUB X SPIGOT) MOLDED



41

SIZE (IN)	RBP PART NUMBER	CARTON QUANTITY
3/4" x 1/2" *	E0140705	100
1" x 1/2"	E0141005	3 x 100
1" x 3/4" *	E0141007	100
1 1/4" x 3/4"	E0141207	2 x 25
1 1/4" x 1"	E0141210	50
1 1/2" x 1"	E0141510	50
1 1/2" x 1 1/4"	E0141512	50
2" x 1"	E0142010	50
2" x 1 1/4"	E0142012	25
2" x 1 1/2" *	E0142015	25
2 1/2" x 2"	E0142520	25
3" x 2"	E0143020	25
3" x 2 1/2"	E0143025	25
4" x 2"	E0144020	15
4" x 3"	E0144030	20
4" x 3 1/2"	E0144035	20

REDUCER BUSHING



* UL Listed

RIGID PVC CONDUIT FITTINGS

DUCT INTERMEDIATE VERTICAL LOCK SPACER



SIZE (IN)	RBP PART NUMBER	CARTON QUANTITY
2" x 1 1/2"	IS2015	350
2" x 2"	IS2020	300
2" x 3"	IS2030	200
3" x 1 1/2"	IS3015	225
3" x 2"	IS3020	200
3" x 3"	IS3030	125
4" x 1"	IS4010	200
4" x 1 1/2"	IS4015	150
4" x 2"	IS4020	125
4" x 3"	IS4030	90
5" x 1 1/2"	IS5015	100
5" x 2"	IS5020	100
5" x 3"	IS5030	80
6" x 1 1/2"	IS6015	100
6" x 2"	IS6020	90
6" x 3"	IS6030	70
8" x 1 1/2"	IS8015	60
8" x 2"	IS8020	60

42

DUCT BASE VERTICAL LOCK SPACER



SIZE (IN)	RBP PART NUMBER	CARTON QUANTITY
2" x 1 1/2"	BS2015	250
2" x 2"	BS2020	225
2" x 3"	BS2030	225
3" x 1 1/2"	BS3015	175
3" x 2"	BS3020	155
3" x 3"	BS3030	150
4" x 1"	BS4010	175
4" x 1 1/2"	BS4015	140
4" x 2"	BS4020	140
4" x 3"	BS4030	120
5" x 1 1/2"	BS5015	120
5" x 2"	BS5020	120
5" x 3"	BS5030	100
6" x 1 1/2"	BS6015	100
6" x 2"	BS6020	100
6" x 3"	BS6030	95
8" x 1 1/2"	BS8015	50
8" x 2"	BS8020	50

RIGID PVC CONDUIT FITTINGS

SIZE (IN)	RBP PART NUMBER	CARTON QUANTITY
2"	E091200	70
3"	E091300	45
4"	E091400	80
5"	E091500	45
6"	E091600	35

UNIVERSAL PLUG W/ PULLING EYE



SIZE	RBP PART NUMBER	CARTON QUANTITY
PINT	33942	12
QUART	33943	12
GALLON	33941	6

COLD PRO PVC CEMENT



APPLICATIONS:

For PVC pipe and fittings conduit and duct installation in low temperature conditions. Pipe size diameters thru 6" for all schedules and classes. Schedule 80 thru 4".

- High performance solvent cement specifically designed for low temperature conditions
- Formulated for quick initial set up in cold weather
- Recommended application temperature -15°F to 110°F.
- Clear
- Low VOC
- Meets or exceeds ASTM D2564 specifications

SIZE	RBP PART NUMBER	CARTON QUANTITY
1/2 PINT	34365	24
PINT	34366	12
QUART	34367	12
GALLON	34373	6

ELECTRICAL CONDUIT PVC CEMENT



APPLICATIONS:

For PVC pipe and fittings conduit and duct installation. Pipe size diameters thru 6" for all schedules and classes including Schedule 80.

- High performance premium solvent cement delivers a strong bond between PVC pipe and fittings
- Clear
- Low VOC
- Meets or exceeds ASTM D2564 specifications

RIGID PVC SCHEDULE 40 CONDUIT

APPLICATIONS

- Power Utilities
- Cable, data and communication lines
- Institutional, commercial, industrial buildings
- Residential buildings, service entrances
- Street and highway underground feeds
- Transportation systems - subways, bridges, tunnels, airports
- Water and wastewater treatment plants
- Marinas
- Mines, mills



For usage in both below and above ground systems for residential, industrial, commercial and institutional applications

A rigid, non-metallic line of conduit designed to integrate with our rigid PVC conduit fittings.

44

FEATURES

Royal Building Products Electrical Solutions manufactures a complete line of Rigid PVC Conduit pipe and fittings for electrical applications. Our products are designed to reduce labor and maintenance costs, while offering superior performance.

Products are certified by the Canadian Standards Association (CSA) and Underwriters Laboratories (UL) for use in above and below ground applications and meet NEMA TC-2.

Royal's Schedule 40 Rigid PVC conduit pipe is available in 1/2- to 6-inch diameters and 10- or 20-foot lengths.

DESIGN ADVANTAGES

Saves Labor

Rigid PVC Conduit pipe is easy to install, cut and join. No special tools are required. It can easily be cut with a hacksaw or PVC conduit cutters.

Easy Wire Pulls

The conduit's smooth interior surface reduces friction and prevents damage to wires when pulling wire and conductors for long runs, and even through 90° bends. To make wire pulling easier, use a large pull-rope and wire-pulling lubricant.

Simplifies Direct Burial

Royal Electrical Solutions Rigid PVC Conduit does not require additional protection for direct burial installations according to the National Electrical Code (NEC). Normal construction practices should be followed for trenching and backfill operations.

RIGID PVC SCHEDULE 40 CONDUIT

Non-Conductive

Our Rigid PVC Conduit is non-sparking and non-conductive. It eliminates the second point of contact and phase to ground faults. For a complete positive ground for the whole system, use a separate grounding conductor.

Long Life

Royal Rigid PVC Conduit and fittings resist acids, alkalis, salt solutions and most other chemicals. (Refer to the Royal Chemical Resistance Guide for detailed information.) There is no risk of corrosion when exposed to naturally corrosive soil conditions, or electrochemical or galvanic environments. They are also resistant to direct sunlight, heat and all weather conditions, even after years of exposure; as well as macro and microorganism, fungi and rodents.

FT-4 Vertical Flame Test

The FT-4 Rating means our Rigid PVC Conduit pipe and fittings can be used in non-combustible construction as per part 3 of the National Building Code of Canada (NBC).

SPECIFICATIONS

All wiring shall be installed in Royal Electrical Solutions Rigid PVC Conduit and secured with proper fittings. All conduit and fittings shall be manufactured by Royal Building Products, Pipe & Fittings Solutions. All outlets, pull boxes and junction points shall be Royal products.

Exposed conduit shall be securely attached and supported with straps that are installed at the recommended spacing specified in the Canadian Electrical Code (CEC) Section 12-1114. The straps must allow for linear expansion and contraction of the conduit due to temperature change. If the variance in temperature exceeds 25°F, expansion joints shall be installed according to the manufacturer's recommendations.

If Rigid PVC Conduit is embedded in concrete or direct buried, support straps are not required.

CERTIFICATIONS

Royal Electrical Solutions Rigid PVC Conduit Pipe is certified to CSA Standard C22.2 No. 211.2, UL 651 and conforms to NEMA TC-2. Our Rigid PVC Conduit shall be installed according to the National Electrical Code (NEC) Article 352.

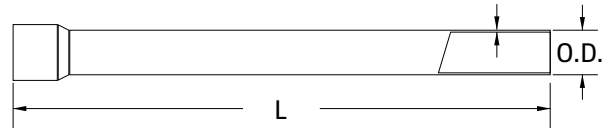


RIGID PVC SCHEDULE 40 CONDUIT

LIGHTWEIGHT MATERIALS

Rigid PVC Conduit is easier to move and handle because it is one-fifth the weight of steel and half the weight of aluminum. See chart below.

RIGID PVC SCHEDULE 40 CONDUIT



APPROXIMATE WEIGHT COMPARISON

SIZE (IN)	PVC (LB/100FT)	ALUMINUM (LB/100FT)	STEEL (LB/100FT)
1/2"	16.1	27	79
3/4"	21.5	37	105
1"	31.9	53	153
1 1/4"	43.8	70	201
1 1/2"	52.3	86	249
2"	70.3	116	334
2 1/2"	112.0	183	527
3"	146.7	239	690
3 1/2"	176.4	288	831
4"	208.9	340	982
5"	283.4	465	1,344
6"	368.0	613	1,771

DIMENSIONS

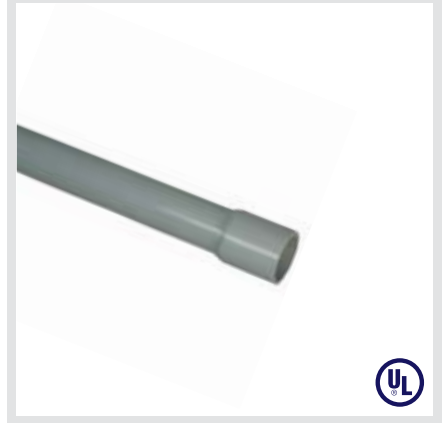
NOMINAL SIZE (IN)	AVG. OUTSIDE DIAMETER (IN)	AVG. INSIDE DIAMETER (IN)	MIN. WALL THICKNESS (IN)	MIN. BELL DEPTH (IN)
1/2"	0.840	0.608	0.109	2.000
3/4"	1.050	0.810	0.113	2.250
1"	1.315	1.033	0.133	2.500
1 1/4"	1.660	1.362	0.140	2.750
1 1/2"	1.900	1.592	0.145	3.000
2"	2.375	2.049	0.154	4.000
2 1/2"	2.875	2.445	0.203	4.000
3"	3.500	3.042	0.216	4.000
3 1/2"	4.000	3.520	0.226	4.000
4"	4.500	3.998	0.237	4.000
5"	5.565	5.017	0.258	5.500
6"	6.625	6.031	0.280	6.500



RIGID PVC SCHEDULE 40 CONDUIT

NOMINAL PIPE SIZE (IN)	RBP PART NUMBER	DESCRIPTION	UPC	APPROX. WEIGHT (LB/100FT)
1/2"	RC4000510	RIGID COND .5IN X 10FT GY	772555155008	16.1
3/4"	RC4000710	RIGID COND .75IN X 10FT GY	772555155206	21.5
1"	RC4001010	RIGID COND 1IN X 10FT GY	772555155404	31.9
1-1/4"	RC4001210	RIGID COND 1.25IN X 10FT GY	772555155602	43.8
1-1/2"	RC4001510	RIGID COND 1.5IN X 10FT GY	772555155800	52.3
2"	RC4002010	RIGID COND 2IN X 10FT GY	772555156005	70.3
2-1/2"	RC4002510	RIGID COND 2.5IN X 10FT GY	772555156203	112.0
3"	RC4003010	RIGID COND 3IN X 10FT GY	772555156401	146.7
3-1/2"	RC4003510	RIGID COND 3.5IN X 10FT GY	772555156609	176.4
4"	RC4004010	RIGID COND 4IN X 10FT GY	772555156708	208.9
5"	RC4005010	RIGID COND 5IN X 10FT GY	772555156906	283.4
6"	RC4006010	RIGID COND 6IN X 10FT GY	772555157101	368.0

SCH 40 RIGID CONDUIT
10 FOOT GRAY



NOMINAL PIPE SIZE (IN)	RBP PART NUMBER	DESCRIPTION	UPC	APPROX. WEIGHT (LB/100FT)
1/2"	RC4000520	RIGID COND .5IN X 20FT GY	772555155107	16.1
3/4"	RC4000720	RIGID COND .75IN X 20FT GY	772555155305	21.5
1"	RC4001020	RIGID COND 1IN X 20FT GY	772555155503	31.9
1-1/4"	RC4001220	RIGID COND 1.25IN X 20FT GY	772555155701	43.8
1-1/2"	RC4001520	RIGID COND 1.5IN X 20FT GY	772555155909	52.3
2"	RC4002020	RIGID COND 2IN X 20FT GY	772555156104	70.3
2-1/2"	RC4002520	RIGID COND 2.5IN X 20FT GY	772555156302	112.0
3"	RC4003020	RIGID COND 3IN X 20FT GY	772555156500	146.7
3-1/2"	RC4003520	RIGID COND 3.5IN X 20FT GY	772555156654	176.4
4"	RC4004020	RIGID COND 4IN X 20FT GY	772555156807	208.9
5"	RC4005020	RIGID COND 5IN X 20FT GY	772555157002	283.4
6"	RC4006020	RIGID COND 6IN X 20FT GY	772555157156	368.0

SCH 40 RIGID CONDUIT
20 FOOT GRAY

