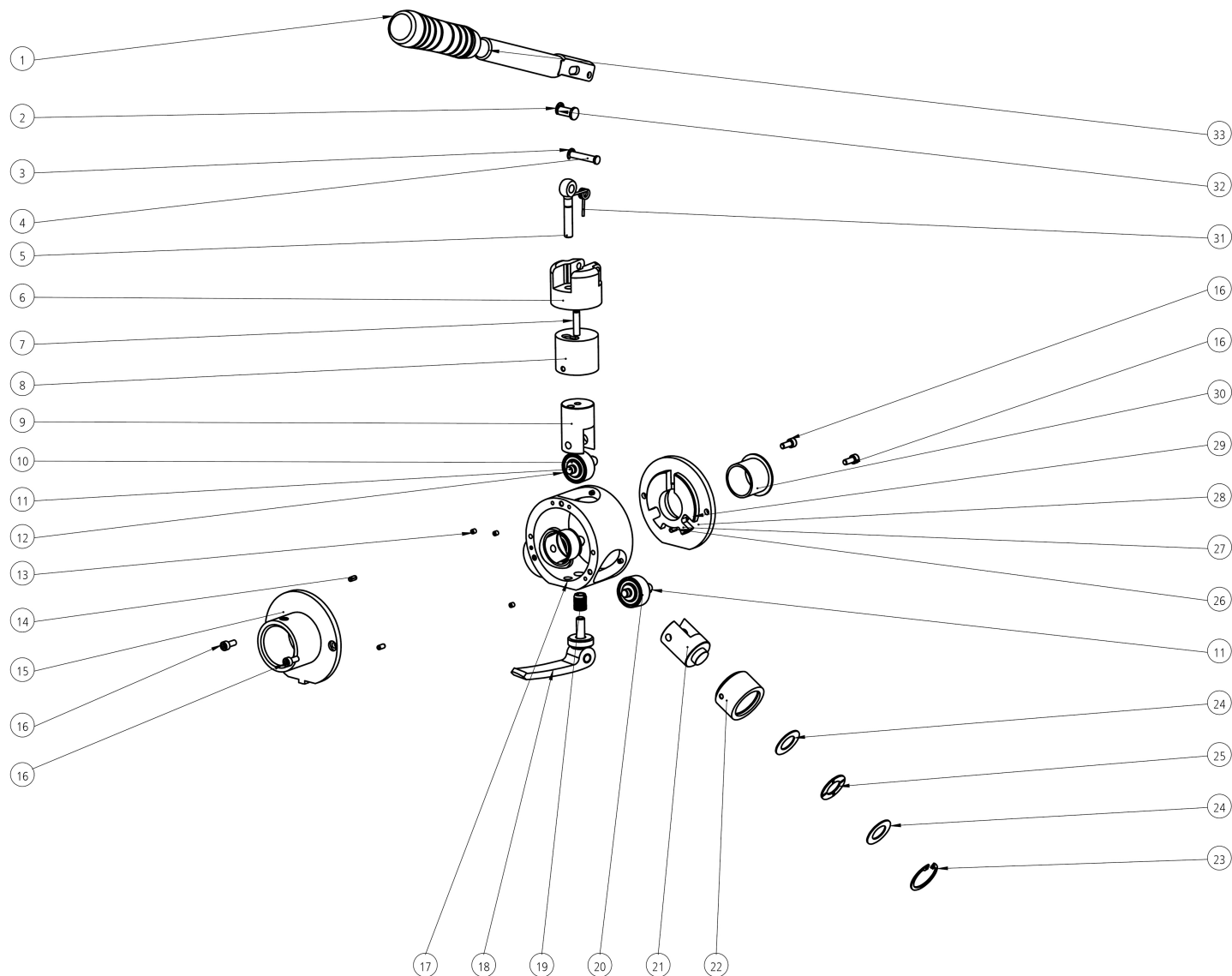


RODRUM M-L lever

dated: 06/17

No. 1200001616 / 1200001617 / 1200001618 / 1200001619 / 1200001620



RODRUM M-L lever

dated: 06/17

No. 1200001616 / 1200001617 / 1200001618 / 1200001619 / 1200001620

Item no.	Description	Article no.	Quantity
1	plastic handle	777003500	1
2	Lock washer DIN 6799 - 6	1300003447	1
3	Lock washer DIN 6799 - 5	1300003457	1
4	Axle pin 30 mm	1300003455	1
5	Eyebolt DIN 444-B M8x50, 8x8, St	1300003400	1
6	Control unit	1300003441	1
7	Pin ISO 8734 - 6x30 - A - St	1300003446	1
8	Guide tube	1300003438	1
9	Bearing clamp long	1300003428	1
10	Distance Collar 2	1300003870	3
11	Threaded pin	1300003427	3
12	Bearing 62200-2RSR	1300003432	3
13	Grub screw with tip ISO 4027 M4x6	1300003451	4
14	Coiled spring pin ISO 8752 - 4x8 - St	1300003454	6
15	Cap for guide hose	1300003430	1
16	Cyl. head screw DIN 6912 - M5x12 - 7,8N	1300002556	4
17	Main housing	1300003425	1
18	Excentric clamp GN 927-101-M10-20-A	1300003431	1
19	threaded insert M8	L83999	1
20	Distance collar RODRUM M/L	1300003450	3
21	Bearing clamp short	1300003426	2
22	Guide tube	1300003436	2
23	Circlip DIN 472 - 32x1,2	1300003437	2
24	Axial bearing disc INA AS1730	1300003435	4
25	Axial needle bearing INA AXK1730	1300003434	2
28	Servicekit cover plate from drum bearing	1200001994	1
30	Collar busching bronze, TFB/B 3026	1300003439	1
31	Torsion spring RODRUM M/L	1300003448	1
32	Axle pin 20 mm	1300003443	1
33	Feeding lever	1300003442	1

IMPORTANT! To assure safety and reliability, repairs, maintenance and adjustment must be performed by ROTHENBERGER Kelkheim or authorized Service-Centers. Always use Original-Service-Parts. Order your accessories and spare parts from your specialist retailer or using our Service After Sales hotline

Tel. +49 6195 - 800 **8200**

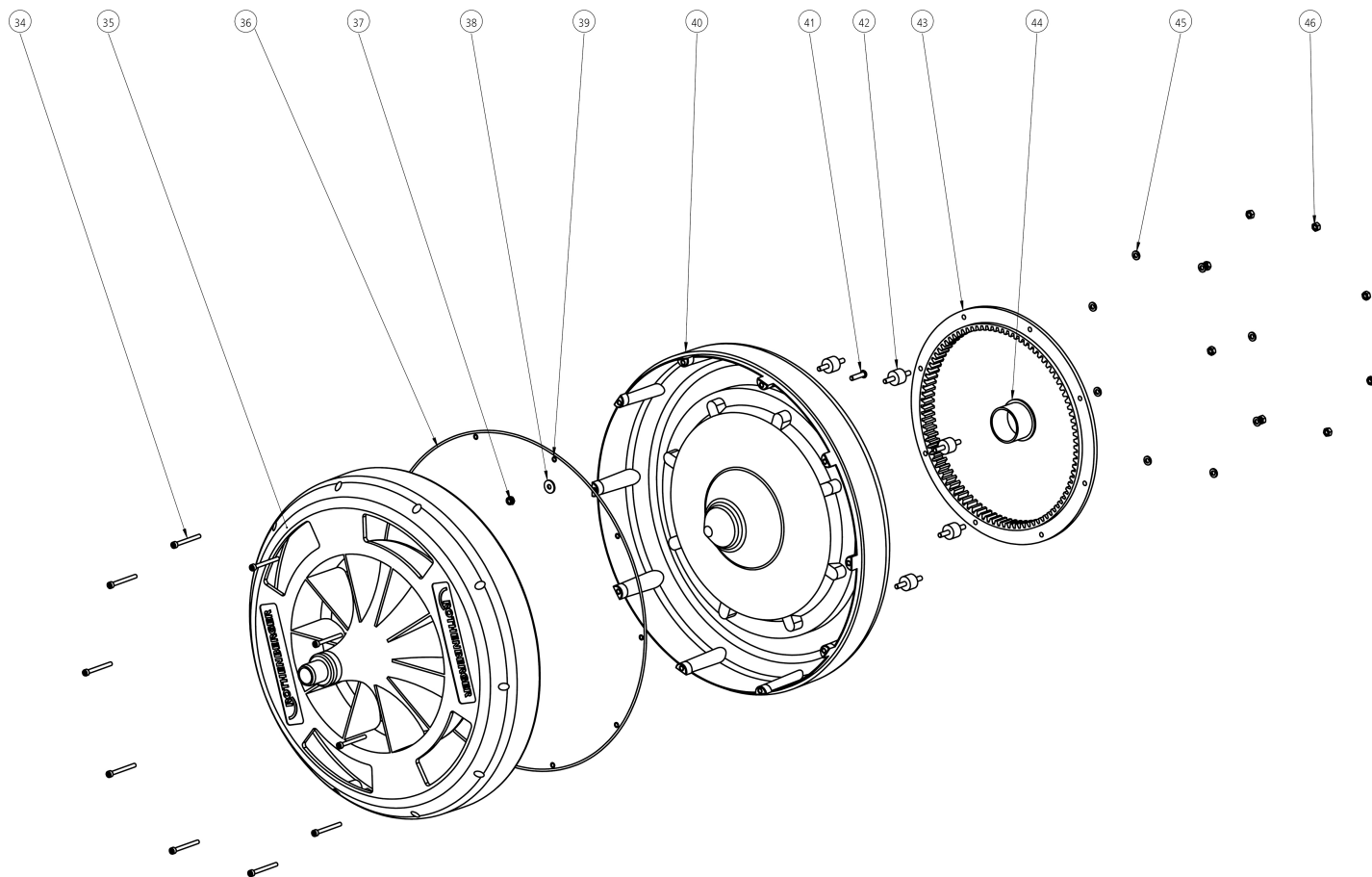
Fax: +49 6195 - 800 **7491**

✉ service@rothenberger.com

RODRUM M-L drum

No. 1200001616 / 1200001617 / 1200001618 / 1200001619 / 1200001620

dated: 06/17



RODRUM M-L drum

dated: 06/17

No. 1200001616 / 1200001617 / 1200001618 / 1200001619 / 1200001620

Item no.	Description	Article no.	Quantity
34	Cylinder head screw DIN 912 M5x55	1300003415	10
35	Front drum large	1300003412	1
36	Seal ring 465x3,0 NBR 70	1300003419	1
37	Hex nut M6 DIN 985	H88501	1
38	Washer A 6,4 DIN 9021	H98351	2
39	O-Ring - NBR 3,9x1,8 70SHORE	F95025	10
40	Rear drum large	1300003411	1
41	Screw ISO 7380 - M6 x 25	1300000234	1
42	Rubber buffer GN 351-20-15-M6-SS-55	1300003416	8
43	Internal gear m=3, z=93	1300003417	1
44	Collar bushing bronze, TFB/B 4532	1300003421	1
45	Washer A 6,4 DIN 125	H98353	8
46	Hexagon nut ISO - 4032 - M6	1300003418	8

IMPORTANT! To assure safety and reliability, repairs, maintenance and adjustment must be performed by ROTHENBERGER Kelkheim or authorized Service-Centers. Always use Original-Service-Parts. Order your accessories and spare parts from your specialist retailer or using our Service After Sales hotline

Tel. +49 6195 - 800 **8200**

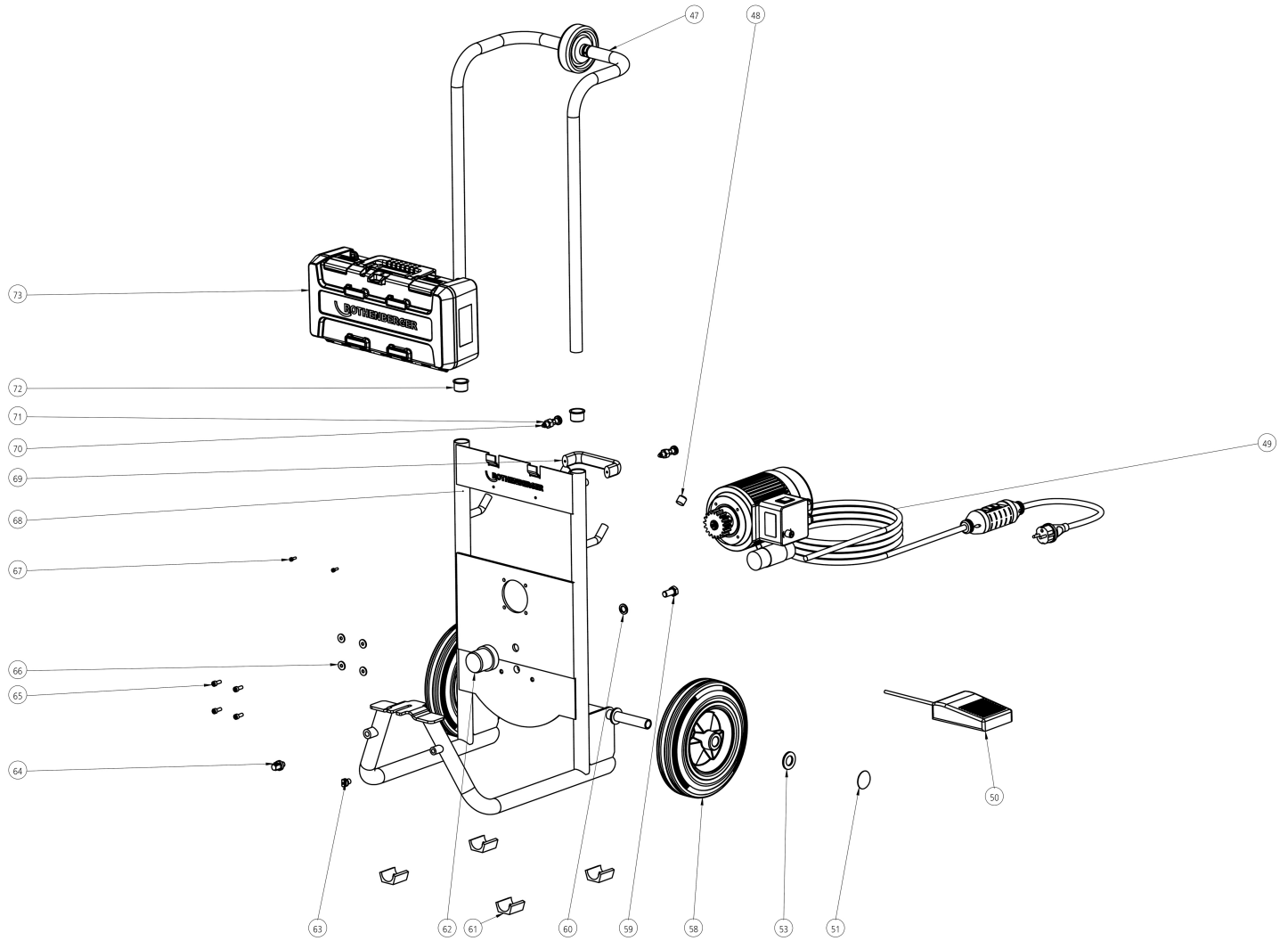
Fax: +49 6195 - 800 **7491**

✉ service@rothenberger.com

RODRUM M-L chassis

dated: 06/17

No. 1200001616 / 1200001617 / 1200001618 / 1200001619 / 1200001620



RODRUM M-L chassis

dated: 06/17

No. 1200001616 / 1200001617 / 1200001618 / 1200001619 / 1200001620

Item no.	Description	Article no.	Quantity
---	Power cable EUR PRCD 230 V	F88086	1
---	Spiral connection	F84102	1
---	Power cable CH PRCD 230 V	F88083	1
---	Power cable UK 110 V	F84820	1
---	Power cable Australia	F84132	1
---	Power cable PRCD USA	1300000796	1
---	Spiral 20mmx20m with inner core and squa	1500002268	1
---	adapter piece 4-sided on 16 T-slot	1500002270	1
---	Spiral 16x15 with inner core	72918	1
---	Connection 20mm square f. RODRUM L	1500002269	1
---	Bearing clamp below service	1200001899	1
---	Bearing clamp above service	1200001898	1
---	Spiral 13x15 with inner core	1500002271	1
---	Guide hose RODRUM M/L, 1 m	1000001850	1
---	Feeding Unit Service	1200001900	1
47	Handle RODRUM M/L	1300003384	1
48	End cap GPN 280 ER 15	1300003397	2
49	Servicekit Motor US	1200001998	1
49	Servicekit Motor AUS	1200001999	1
49	Servicekit Motor UK	1200001997	1
49	Servicekit Motor CH	1200001996	1
49	Servicekit Motor EU	1200001995	1
50	Foot switch with hose	1300002577	1
51	Starlock endcap Ø20	1300003387	2
53	Washer DIN 125 - A21	1300003386	2
58	Solid rubber tyres	1300003385	2
59	Hexagon screw threaded M12x25	1300003392	1
60	Spring washer form A DIN 128 - A12	1300003391	1
61	Shell clamp slider KSGH 35	1300003404	4
62	Drum axis	1300003390	1
63	Spiral coupling	H81329	1
64	Helix coupling 20mm	1300003485	1
65	Cylinder head screw DIN 912 M6 x 16	1300001411	4
66	Washer A 6,4 DIN9021	H98351	4
67	Cylinder head screw DIN 912 M4 x 12	1300003394	2
68	Frame package large	1300003383	1
69	Plastic handle GN 725-117-M4 RODRUM sm.	1300002554	1
70	Locking pin	H81285	2
71	Hexagon nut M10	L80256	2
72	Guide bush for handle	1300003395	2

IMPORTANT! To assure safety and reliability, repairs, maintenance and adjustment must be performed by ROTHENBERGER Kelkheim or authorized Service-Centers. Always use Original-Service-Parts. Order your accessories and spare parts from your specialist retailer or using our Service After Sales hotline

Tel. +49 6195 - 800 **8200**

Fax: +49 6195 - 800 **7491**

✉ service@rothenberger.com