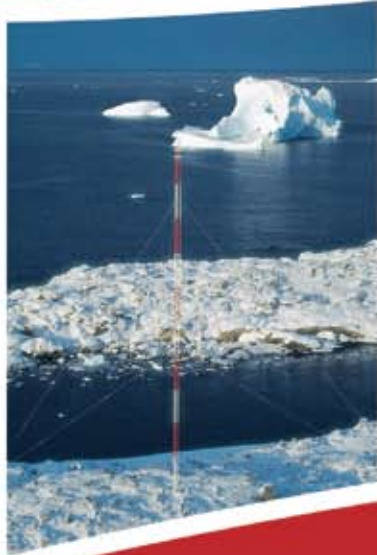


GUYED TOWERS





STANDARD 45G GUYED TOWER

ROHN 45G
The first. The original.



45G



GENERAL USE

The 45G is a true multi-use structure that provides excellent strength for applications up to 300'. It's offered with either heavy steel tube rod legs to satisfy a wide variety of needs under varied conditions. When properly installed, the 45G tower will support the loads shown on various guyed and self-supporting information sheets in the ROHN catalog.

FEATURES

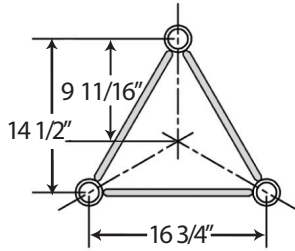
- Completely hot-dip galvanized after fabrication
- Heavy steel tube or solid steel side rails
- Built as a 16 3/4" equilateral triangle design
- Utilizes 1 1/4" outside diameter, 14 gauge, special quality steel tubing
- Zig-Zag® cross bracing is formed from a continuous 7/16" solid steel rod electrically welded every 16 1/4" on the side rails
- Each 10' section is joined to the other and double bolted at each leg joint for extra strength

CAUTION: the mixing of so-called interchangeable copies of ROHN towers with ROHN Materials used by the so-called copies are not the same quality and have not been tested or engineered by ROHN to conform to the same quality standards. Mixing of ROHN items may endanger the lives of your customers and cause serious tower failures and financial misfortune for all concerned.

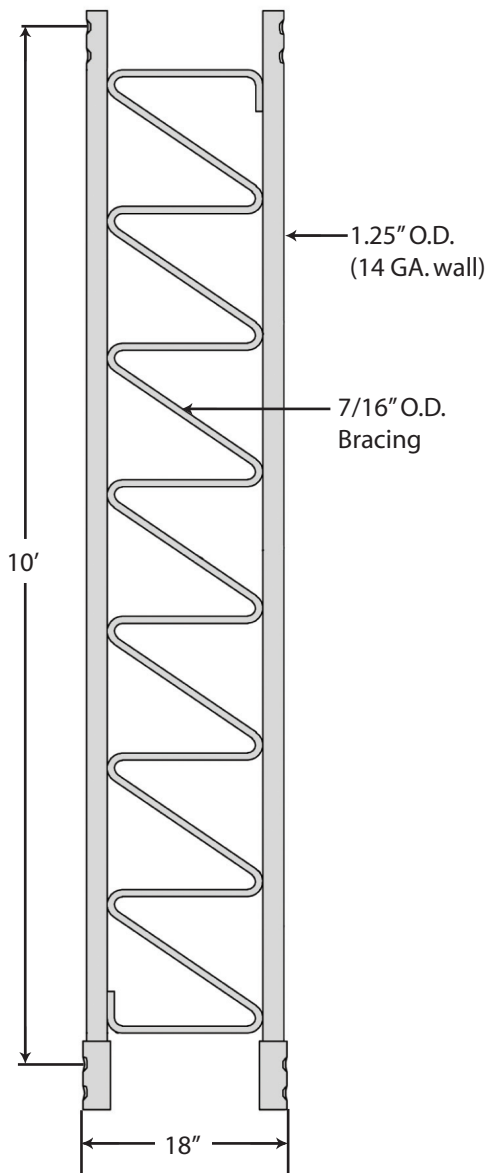
* Per Rev. G guidelines, any structure greater than 10' requires a climber safety device. Please see page 58 for ordering information.



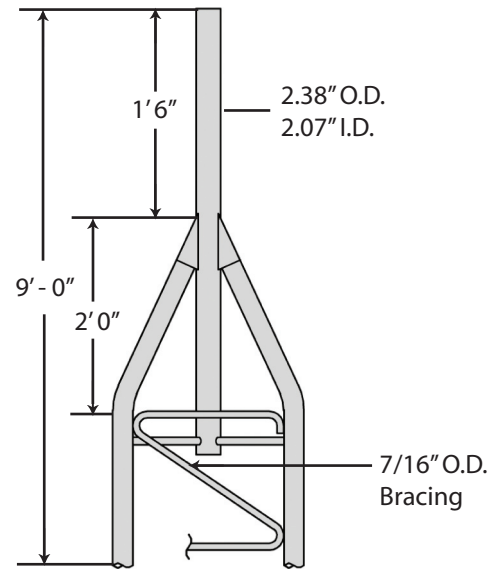
STANDARD 45G GUYED TOWER SECTIONS



QUICK REFERENCE	
PARTS & ACCESSORIES	PAGES 57-58
GROUNDING INFORMATION	PAGES 59-60
FOUNDATION INFORMATION	PAGES 61-62

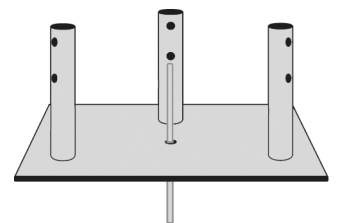


**STANDARD SECTION
45G - 10' Section**



**STANDARD TOP SECTION
45AG2**

Additional 45G top sections are shown on page 57.



**CONCRETE BASE PLATE
BPC45G***

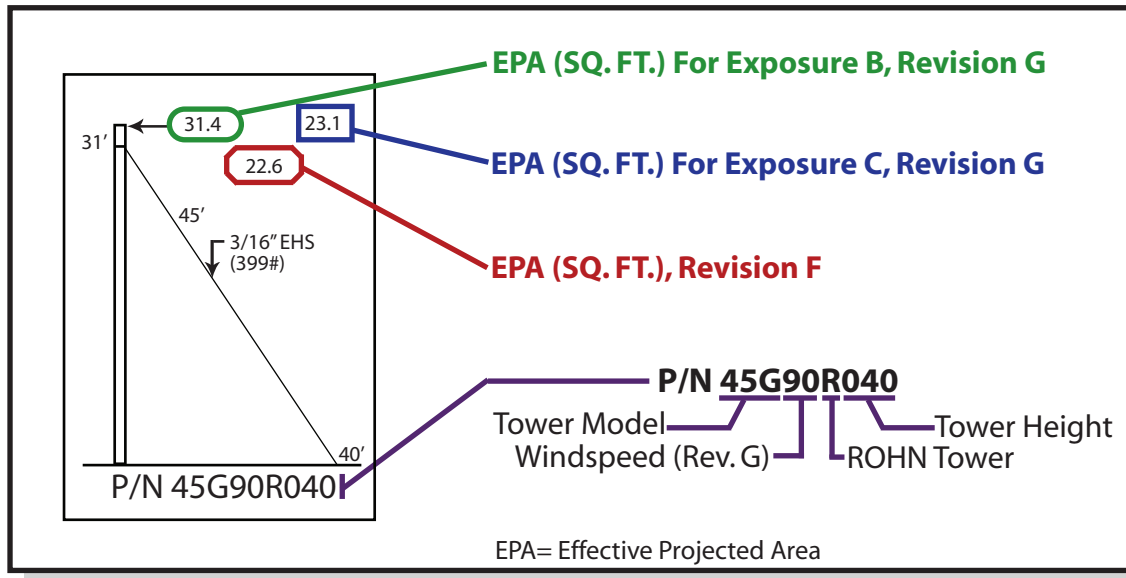
FOR USE WITH PIER PIN EMBEDDED IN CONCRETE.

**PIER PIN
3/4x12PP**

MUST BE ORDERED SEPARATELY.



STANDARD DESIGN - 45G
90MPH REV. G, 70MPH REV. F



Tower and foundation installations should be performed by qualified and experienced personnel using construction drawings. This document is to serve as a guide for sizing and buying the 45G tower.

All types of antenna installations should be thoroughly inspected by qualified personnel and re-marked with appropriate danger and anti-climb labels at least twice a year to ensure safety and proper performance.

DESIGN NOTES:

1. Tower designs are in accordance with ANSI/TIA-222-F-1996 and ANSI/TIA-222-G-2005, Class I Structures.
2. Design assumes towers are installed on level ground. Lower EPA values will apply for roof mounted towers or for sites located on unusual terrain.
3. Designs assume two 1/2" diameter lines on each tower face.
4. Anchor radius is from tower base to intersection of anchor rod with ground.
5. Tower designs and guy chord lengths shown are based on level ground. Initial tensions for guys in pounds at 60° Fahrenheit are shown in ().
6. Antenna and mounts are assumed symmetrically placed at the tower top.

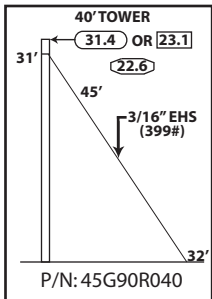
PARTS LIST NOTES:

1. Items listed are required for complete (ground) guyed towers. Base and anchor details will be required for installation on roofs or for sites located on unusual terrains and wind loading criteria, for all roof type installations.
2. Standard guys provided with each standard tower include an additional 6% length.
3. Anchor grounding (AGK1GGX) and base grounding (BGK3GGX) are included with the tower material.
4. Installation information and a safety package (P/N: ACWS) are included with each tower.

FOR FOUNDATION INFORMATION, PLEASE SEE PAGES 61-62.

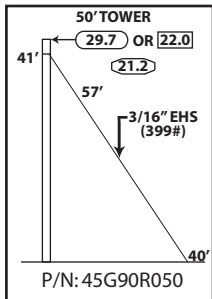


STANDARD DESIGN - 45G 90MPH REV. G, 70MPH REV. F



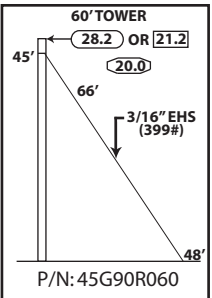
TOWER PARTS INCLUDED	45G	45AG2	BPC45G	GA45GD	FDNS	
					BASE	ANCHOR
	3	1	1	1	CB1G	AB2
GUY WIRE & CONNECTION INCLUDED	3/16EHS	BG2142	5/16THH	1/2TBE&J	TBSAFETY	
	150'	6	6	3	3	
ANCHORS & GROUNDING INCLUDED	GAC3455TOP	AGK1GGX	BGK3GGX	CPC.5/.75	3/4x12PP	
	3	1	3	3	1	

40' ROHN 45G
All parts shown in table are included when ordering
Part No: 45G90R040



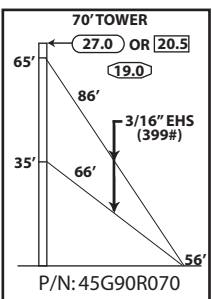
TOWER PARTS INCLUDED	45G	45AG2	BPC45G	GA45GD	FDNS	
					BASE	ANCHOR
	4	1	1	1	CB1G	AB2
GUY WIRE & CONNECTION INCLUDED	3/16EHS	BG2142	5/16THH	1/2TBE&J	TBSAFETY	
	200'	6	6	3	3	
ANCHORS & GROUNDING INCLUDED	GAC3455TOP	AGK1GGX	BGK3GGX	CPC.5/.75	3/4x12PP	
	3	1	3	3	1	

50' ROHN 45G
All parts shown in table are included when ordering
Part No: 45G90R050



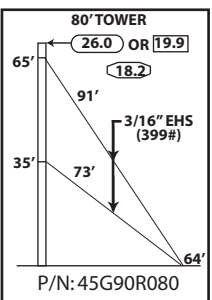
TOWER PARTS INCLUDED	45G	45AG2	BPC45G	GA45GD	FDNS	
					BASE	ANCHOR
	5	1	1	1	CB1G	AB2
GUY WIRE & CONNECTION INCLUDED	3/16EHS	BG2142	5/16THH	1/2TBE&J	TBSAFETY	
	225'	6	6	3	3	
ANCHORS & GROUNDING INCLUDED	GAC3455TOP	AGK1GGX	BGK3GGX	CPC.5/.75	3/4x12PP	
	3	1	3	3	1	

60' ROHN 45G
All parts shown in table are included when ordering
Part No: 45G90R060



TOWER PARTS INCLUDED	45G	45AG2	BPC45G	GA45GD	FDNS	
					BASE	ANCHOR
	6	1	1	2	CB1G	AB2
GUY WIRE & CONNECTION INCLUDED	3/16EHS	BG2142	5/16THH	1/2TBE&J	TBSAFETY	
	500'	12	12	6	3	
ANCHORS & GROUNDING INCLUDED	GAC3455TOP	AGK1GGX	BGK3GGX	CPC.5/.75	3/4x12PP	
	3	1	3	3	1	

70' ROHN 45G
All parts shown in table are included when ordering
Part No: 45G90R070

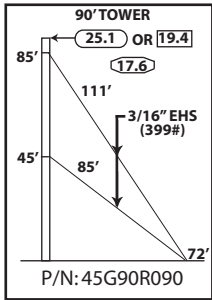


TOWER PARTS INCLUDED	45G	45AG2	BPC45G	GA45GD	FDNS	
					BASE	ANCHOR
	7	1	1	2	CB1G	AB2
GUY WIRE & CONNECTION INCLUDED	3/16EHS	BG2142	5/16THH	1/2TBE&J	TBSAFETY	
	525'	12	12	6	3	
ANCHORS & GROUNDING INCLUDED	GAC3455TOP	AGK1GGX	BGK3GGX	CPC.5/.75	3/4x12PP	
	3	1	3	3	1	

80' ROHN 45G
All parts shown in table are included when ordering
Part No: 45G90R080

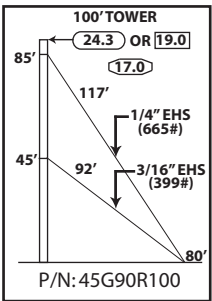


STANDARD DESIGN - 45G
90MPH REV. G, 70MPH REV. F



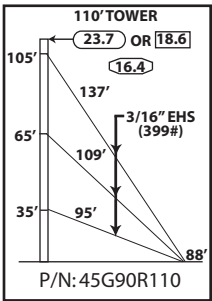
TOWER PARTS INCLUDED	45G	45AG2	BPC45G	GA45GD	FDNS	
					BASE	ANCHOR
TOWER PARTS INCLUDED	8	1	1	2	CB1G	AB2
GUY WIRE & CONNECTION INCLUDED	3/16EHS	BG2142	5/16THH	1/2TBE&J	TBSAFETY	
	625'	12	12	6	3	
ANCHORS & GROUNDING INCLUDED	GAC3455TOP	AGK1GGX	BGK3GGX	CPC.5/.75	3/4x12PP	
	3	1	3	3	1	

90' ROHN 45G
All parts shown in table are included when ordering
Part No: 45G90R090



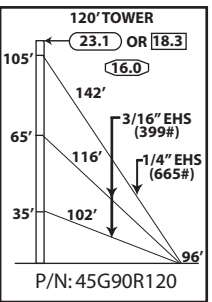
TOWER PARTS INCLUDED	45G	45AG2	BPC45G	GA45GD	FDNS		
					BASE	ANCHOR	
TOWER PARTS INCLUDED	9	1	1	2	CB1G	AB2	
GUY WIRE & CONNECTION INCLUDED	3/16EHS	1/4EHS	BG2142	BG2144	5/16THH	3/8THH	1/2TBE&J
	300'	375'	6	6	6	6	6
ANCHORS & GROUNDING INCLUDED	GAC3455TOP	AGK1GGX	BGK3GGX	CPC.5/.75	3/4x12PP	TBSAFETY	
	3	1	3	3	1	3	

100' ROHN 45G
All parts shown in table are included when ordering
Part No: 45G90R100



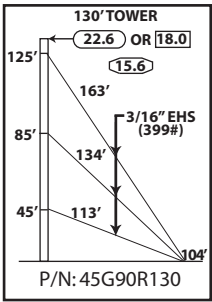
TOWER PARTS INCLUDED	45G	45AG2	BPC45G	GA45GD	FDNS	
					BASE	ANCHOR
TOWER PARTS INCLUDED	10	1	1	3	CB1G	AB2
GUY WIRE & CONNECTION INCLUDED	3/16EHS	BG2142	5/16THH	1/2TBE&J	TBSAFETY	
	1100'	18	18	9	3	
ANCHORS & GROUNDING INCLUDED	GAC3455TOP	AGK1GGX	BGK3GGX	CPC.5/.75	3/4x12PP	
	3	1	3	3	1	

110' ROHN 45G
All parts shown in table are included when ordering
Part No: 45G90R110



TOWER PARTS INCLUDED	45G	45AG2	BPC45G	GA45GD	FDNS		
					BASE	ANCHOR	
TOWER PARTS INCLUDED	11	1	1	3	CB1G	AB2	
GUY WIRE & CONNECTION INCLUDED	3/16EHS	1/4EHS	BG2142	BG2144	5/16THH	3/8THH	1/2TBE&J
	700'	475'	12	6	12	6	9
ANCHORS & GROUNDING INCLUDED	GAC3455TOP	AGK1GGX	BGK3GGX	CPC.5/.75	3/4x12PP	TBSAFETY	
	3	1	3	3	1	3	

120' ROHN 45G
All parts shown in table are included when ordering
Part No: 45G90R120

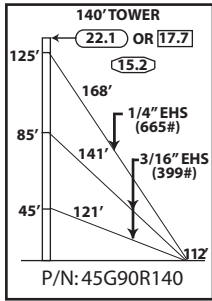


TOWER PARTS INCLUDED	45G	45AG2	BPC45G	GA45GD	FDNS	
					BASE	ANCHOR
TOWER PARTS INCLUDED	12	1	1	3	CB1G	AB2
GUY WIRE & CONNECTION INCLUDED	3/16EHS	BG2142	5/16THH	1/2TBE&J	TBSAFETY	
	1325'	18	18	9	3	
ANCHORS & GROUNDING INCLUDED	GAC3455TOP	AGK1GGX	BGK3GGX	CPC.5/.75	3/4x12PP	
	3	1	3	3	1	

130' ROHN 45G
All parts shown in table are included when ordering
Part No: 45G90R130

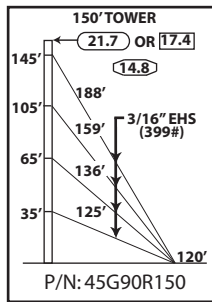


STANDARD DESIGN - 45G 90MPH REV. G, 70MPH REV. F



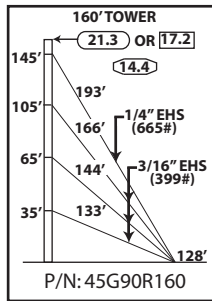
TOWER PARTS INCLUDED	45G	45AG2	BPC45G	GA45GD	FDNS		
					BASE	ANCHOR	
	13	1	1	3	CB1G	AB2	
GUY WIRE & CONNECTION INCLUDED	3/16EHS	1/4EHS	BG2142	BG2144	5/16THH	3/8THH	1/2TBE&J
	850'	550'	12	6	12	6	9
ANCHORS & GROUNDING INCLUDED	GAC3455TOP	AGK1GGX	BGK3GGX	CPC.5/.75	3/4x12PP		
	3	1	3	3	1		

140' ROHN 45G
All parts shown in table are included when ordering
Part No: 45G90R140



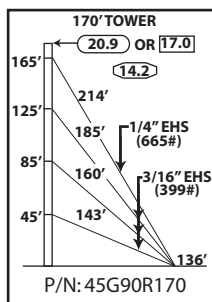
TOWER PARTS INCLUDED	45G	45AG2	BPC45G	GA45GD	FDNS	
					BASE	ANCHOR
	14	1	1	4	CB1G	AB2
GUY WIRE & CONNECTION INCLUDED	3/16EHS	BG2142	5/16THH	1/2TBE&J		TBSAFETY
	1950'	24	24	12	3	
ANCHORS & GROUNDING INCLUDED	GAC3455TOP	AGK1GGX	BGK3GGX	CPC.5/.75	3/4x12PP	
	3	1	3	3	1	

150' ROHN 45G
All parts shown in table are included when ordering
Part No: 45G90R150



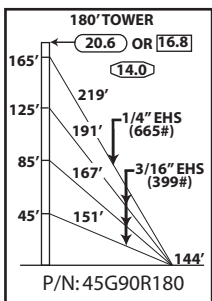
TOWER PARTS INCLUDED	45G	45AG2	BPC45G	GA45GD	FDNS		
					BASE	ANCHOR	
	15	1	1	4	CB1G	AB2	
GUY WIRE & CONNECTION INCLUDED	3/16EHS	1/4EHS	BG2142	BG2144	5/16THH	3/8THH	1/2TBE&J
	1425'	625'	18	6	18	6	12
ANCHORS & GROUNDING INCLUDED	GAC3455TOP	AGK1GGX	BGK3GGX	CPC.5/.75	3/4x12PP		
	3	1	3	3	1		

160' ROHN 45G
All parts shown in table are included when ordering
Part No: 45G90R160



TOWER PARTS INCLUDED	45G	45AG2	BPC45G	GA45GD	FDNS		
					BASE	ANCHOR	
	16	1	1	4	CB1G	AB2	
GUY WIRE & CONNECTION INCLUDED	3/16EHS	1/4EHS	BG2142	BG2144	5/16THH	3/8THH	1/2TBE&J
	1575'	700'	18	6	24	6	12
ANCHORS & GROUNDING INCLUDED	GAC3455TOP	AGK1GGX	BGK3GGX	CPC.5/.75	3/4x12PP	TBSAFETY	
	3	1	3	3	1	3	

170' ROHN 45G
All parts shown in table are included when ordering
Part No: 45G90R170



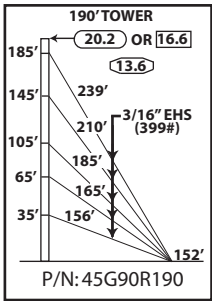
TOWER PARTS INCLUDED	45G	45AG2	BPC45G	GA45GD	FDNS		
					BASE	ANCHOR	
	17	1	1	4	CB1G	AB2	
GUY WIRE & CONNECTION INCLUDED	3/16EHS	1/4EHS	BG2142	BG2144	5/16THH	3/8THH	1/2TBE&J
	1625'	700'	18	6	18	6	12
ANCHORS & GROUNDING INCLUDED	GAC3455TOP	AGK1GGX	BGK3GGX	CPC.5/.75	3/4x12PP		
	3	1	3	3	1		

180' ROHN 45G
All parts shown in table are included when ordering
Part No: 45G90R180



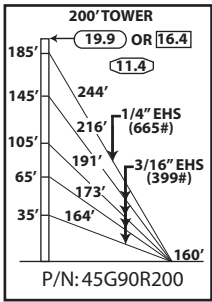
STANDARD DESIGN - 45G

90MPH REV. G, 70MPH REV. F



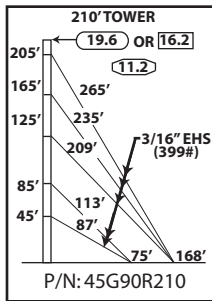
TOWER PARTS INCLUDED	45G	45AG2	BPC45G	GA45GD	FDNS	
					BASE	ANCHOR
TOWER PARTS INCLUDED	18	1	1	5	CB1G	AB2
GUY WIRE & CONNECTION INCLUDED	3/16EHS	BG2142	5/16THH	1/2TBE&J	TBSAFETY	
	3050'	30	30	15	3	
ANCHORS & GROUNDING INCLUDED	GAC3455TOP	AGK1GGX	BGK3GGX	CPC.5/.75	3/4x12PP	
	3	1	3	3	1	

190' ROHN 45G
All parts shown in table are included when ordering
Part No: 45G90R190



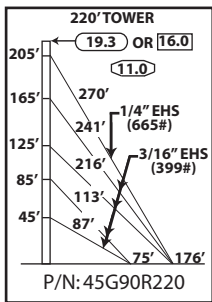
TOWER PARTS INCLUDED	45G	BPC45G	APL45G	GA45GD	FDNS		
					BASE	ANCHOR	
TOWER PARTS INCLUDED	20	1	1	5	CB1G	AB2	
GUY WIRE & CONNECTION INCLUDED	3/16EHS	1/4EHS	BG2142	BG2144	5/16THH	3/8THH	1/2TBE&J
	2400'	800'	24	6	24	6	15
ANCHORS & GROUNDING INCLUDED	GAC3455TOP	AGK1GGX	BGK3GGX	CPC.5/.75	3/4x12PP		
	3	1	3	3	1		

200' ROHN 45G
All parts shown in table are included when ordering
Part No: 45G90R200



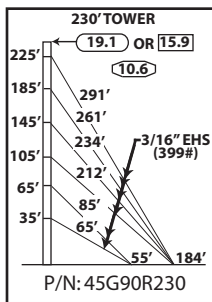
TOWER PARTS INCLUDED	45G	APL45G	BPC45G	GA45GD	BASE	INNER ANCHOR	OUTER ANCHOR
					CB1G	AB2	AB2
TOWER PARTS INCLUDED	21	1	1	5	CB1G	AB2	AB2
GUY WIRE & CONNECTION INCLUDED	3/16EHS	BG2142	5/16THH	1/2TBE&J	TBSAFETY		
	2900'	30	30	15	6		
ANCHORS & GROUNDING INCLUDED	GAC3455TOP	AGK1GGX	BGK3GGX	CPC.5/.75	3/4x12PP		
	6	2	3	6	1		

210' ROHN 45G
All parts shown in table are included when ordering
Part No: 45G90R210



TOWER PARTS INCLUDED	45G	BPC45G	APL45G	GA45GD	BASE	INNER ANCHOR	OUTER ANCHOR
					CB1G	AB2	AB2
TOWER PARTS INCLUDED	22	1	1	5	CB1G	AB2	AB2
GUY WIRE & CONNECTION INCLUDED	3/16EHS	1/4EHS	BG2142	BG2144	5/16THH	3/8THH	1/2TBE&J
	2100'	875'	24	6	24	6	15
ANCHORS & GROUNDING INCLUDED	GAC3455TOP	AGK1GGX	BGK3GGX	CPC.5/.75	3/4x12PP	TBSAFETY	
	6	2	3	6	1	3	

220' ROHN 45G
All parts shown in table are included when ordering
Part No: 45G90R220

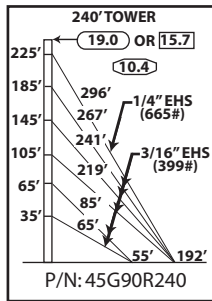


TOWER PARTS INCLUDED	45G	APL45G	BPC45G	GA45GD	BASE	INNER ANCHOR	OUTER ANCHOR
					CB2G	AB2	AB2
TOWER PARTS INCLUDED	23	1	1	6	CB2G	AB2	AB2
GUY WIRE & CONNECTION INCLUDED	3/16EHS	BG2142	5/16THH	1/2TBE&J	TBSAFETY		
	3675'	36	36	18	6		
ANCHORS & GROUNDING INCLUDED	GAC3455TOP	AGK1GGX	BGK3GGX	CPC.5/.75	3/4x12PP		
	6	2	3	6	1		

230' ROHN 45G
All parts shown in table are included when ordering
Part No: 45G90R230

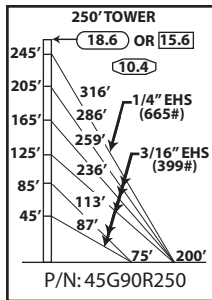


STANDARD DESIGN - 45G 90MPH REV. G, 70MPH REV. F



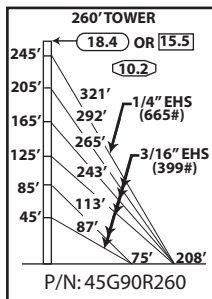
TOWER PARTS INCLUDED	45G	BPC45G	APL45G	GA45GD	BASE	INNER ANCHOR	OUTER ANCHOR
	24	1	1	6	CB2G	AB2	AB2
GUY WIRE & CONNECTION INCLUDED	3/16EHS	1/4EHS	BG2142	BG2144	5/16THH	3/8THH	1/2TBE&J
	2800'	950'	30	6	30	6	18
ANCHORS & GROUNDING INCLUDED	GAC3455TOP	AGK1GGX	BGK3GGX	CPC.5/.75	3/4x12PP	TBSAFETY	
	6	2	3	6	1	6	

240' ROHN 45G
All parts shown in table are included when ordering
Part No: 45G90R240



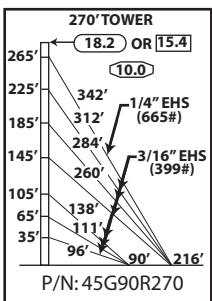
TOWER PARTS INCLUDED	45G	BPC45G	APL45G	GA45GD	BASE	INNER ANCHOR	OUTER ANCHOR
	25	1	1	6	CB2G	AB2	AB2
GUY WIRE & CONNECTION INCLUDED	3/16EHS	1/4EHS	BG2142	BG2144	5/16THH	3/8THH	1/2TBE&J
	3125'	1025'	30	6	30	6	18
ANCHORS & GROUNDING INCLUDED	GAC3455TOP	AGK1GGX	BGK3GGX	CPC.5/.75	3/4x12PP	TBSAFETY	
	6	2	3	6	1	6	

250' ROHN 45G
All parts shown in table are included when ordering
Part No: 45G90R250



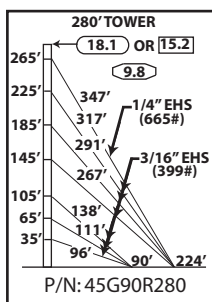
TOWER PARTS INCLUDED	45G	BPC45G	APL45G	GA45GD	BASE	INNER ANCHOR	OUTER ANCHOR
	26	1	1	6	CB2G	AB2	AB2
GUY WIRE & CONNECTION INCLUDED	3/16EHS	1/4EHS	BG2142	BG2144	5/16THH	3/8THH	1/2TBE&J
	3200'	1025'	30	6	30	6	18
ANCHORS & GROUNDING INCLUDED	GAC3455TOP	AGK1GGX	BGK3GGX	CPC.5/.75	3/4x12PP	TBSAFETY	
	6	2	3	6	1	6	

260' ROHN 45G
All parts shown in table are included when ordering
Part No: 45G90R260



TOWER PARTS INCLUDED	45G	BPC45G	APL45G	GA45GD	BASE	INNER ANCHOR	OUTER ANCHOR
	27	1	1	7	CB3G	AB2	AB2
GUY WIRE & CONNECTION INCLUDED	3/16EHS	1/4EHS	BG2142	BG2144	5/16THH	3/8THH	1/2TBE&J
	3825'	1100'	36	6	36	6	21
ANCHORS & GROUNDING INCLUDED	GAC3455TOP	AGK1GGX	BGK3GGX	CPC.5/.75	3/4x12PP	TBSAFETY	
	6	2	3	6	1	6	

270' ROHN 45G
All parts shown in table are included when ordering
Part No: 45G90R270

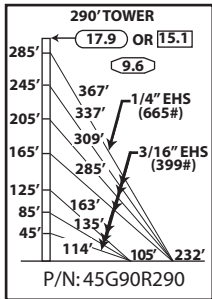


TOWER PARTS INCLUDED	45G	BPC45G	APL45G	GA45GD	BASE	INNER ANCHOR	OUTER ANCHOR
	28	1	1	7	CB3G	AB2	AB2
GUY WIRE & CONNECTION INCLUDED	3/16EHS	1/4EHS	BG2142	BG2144	5/16THH	3/8THH	1/2TBE&J
	3900'	1125'	36	6	36	6	21
ANCHORS & GROUNDING INCLUDED	GAC3455TOP	AGK1GGX	BGK3GGX	CPC.5/.75	3/4x12PP	TBSAFETY	
	6	2	3	6	1	6	

280' ROHN 45G
All parts shown in table are included when ordering
Part No: 45G90R280

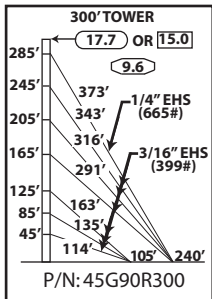


STANDARD DESIGN - 45G
90MPH REV. G, 70MPH REV. F



TOWER PARTS INCLUDED	45G	BPC45G	APL45G	GA45GD	BASE	INNER ANCHOR	OUTER ANCHOR
		29	1	1	7	CB3G	AB2
GUY WIRE & CONNECTION INCLUDED	3/16EHS	1/4EHS	BG2142	BG2144	5/16THH	3/8THH	1/2TBE&J
	3275'	1175'	36	6	36	6	21
ANCHORS & GROUNDING INCLUDED	GAC3455TOP	AGK1GGX	BGK3GGX	CPC.5/.75	3/4x12PP	TBSAFETY	
	6	2	3	6	1	6	

290' ROHN 45G
All parts shown in table are included when ordering
Part No: 45G90R290



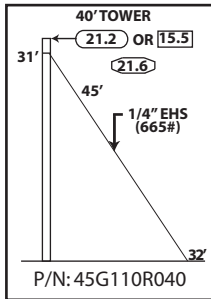
TOWER PARTS INCLUDED	45G	BPC45G	APL45G	GA45GD	BASE	INNER ANCHOR	OUTER ANCHOR
		30	1	1	7	CB3G	AB2
GUY WIRE & CONNECTION INCLUDED	3/16EHS	1/4EHS	BG2142	BG2144	5/16THH	3/8THH	1/2TBE&J
	4350'	1200'	36	6	36	6	21
ANCHORS & GROUNDING INCLUDED	GAC3455TOP	AGK1GGX	BGK3GGX	CPC.5/.75	3/4x12PP	TBSAFETY	
	6	2	3	6	1	6	

300' ROHN 45G
All parts shown in table are included when ordering
Part No: 45G90R300



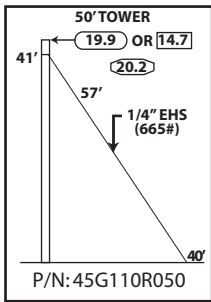
STANDARD DESIGN - 45G

110MPH REV. G, 90MPH REV. F



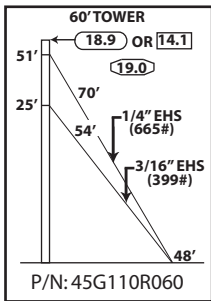
TOWER PARTS INCLUDED	45G	45AG2	BPC45G	GA45GD	FDNS		
					BASE	ANCHOR	
	3	1	1	1	CB1G	AB2	
GUY WIRE & CONNECTION INCLUDED	1/4EHS		BG2144	3/8THH	1/2TBE&J		TBSAFETY
	150'	6	6	3	3		
ANCHORS & GROUNDING INCLUDED	GAC3455TOP	AGK1GGX	BGK3GGX	CPC.5/.75	3/4x12PP		
	3	1	3	3	1		

40' ROHN 45G
All parts shown in table are included when ordering
Part No: 45G110R040



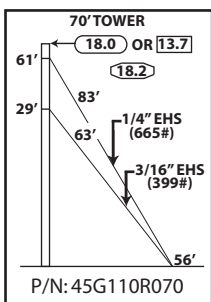
TOWER PARTS INCLUDED	45G	45AG2	BPC45G	GA45GD	FDNS		
					BASE	ANCHOR	
	4	1	1	1	CB1G	AB2	
GUY WIRE & CONNECTION INCLUDED	1/4EHS		BG2144	3/8THH	1/2TBE&J		TBSAFETY
	200'	6	6	3	3		
ANCHORS & GROUNDING INCLUDED	GAC3455TOP	AGK1GGX	BGK3GGX	CPC.5/.75	3/4x12PP		
	3	1	3	3	1		

50' ROHN 45G
All parts shown in table are included when ordering
Part No: 45G110R050



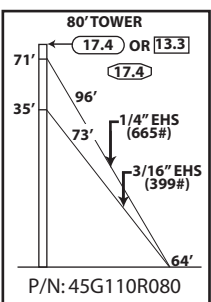
TOWER PARTS INCLUDED	45G	45AG2	BPC45G	GA45GD	FDNS		
					BASE	ANCHOR	
	5	1	1	2	CB1G	AB2	
GUY WIRE & CONNECTION INCLUDED	3/16EHS	1/4EHS	BG2142	BG2144	5/16THH	3/8THH	1/2TBE&J
	175'	225'	6	6	6	6	6
ANCHORS & GROUNDING INCLUDED	GAC3455TOP	AGK1GGX	BGK3GGX	CPC.5/.75	3/4x12PP	TBSAFETY	
	3	1	3	3	1	3	

60' ROHN 45G
All parts shown in table are included when ordering
Part No: 45G110R060



TOWER PARTS INCLUDED	45G	45AG2	BPC45G	GA45GD	FDNS		
					BASE	ANCHOR	
	6	1	1	2	CB1G	AB2	
GUY WIRE & CONNECTION INCLUDED	3/16EHS	1/4EHS	BG2142	BG2144	5/16THH	3/8THH	1/2TBE&J
	225'	275'	6	6	6	6	6
ANCHORS & GROUNDING INCLUDED	GAC3455TOP	AGK1GGX	BGK3GGX	CPC.5/.75	3/4x12PP	TBSAFETY	
	3	1	3	3	1	3	

70' ROHN 45G
All parts shown in table are included when ordering
Part No: 45G110R070



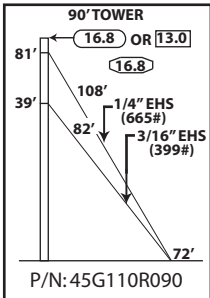
TOWER PARTS INCLUDED	45G	45AG2	BPC45G	GA45GD	FDNS		
					BASE	ANCHOR	
	7	1	1	2	CB1G	AB2	
GUY WIRE & CONNECTION INCLUDED	3/16EHS	1/4EHS	BG2142	BG2144	5/16THH	3/8THH	1/2TBE&J
	250'	325'	6	6	6	6	6
ANCHORS & GROUNDING INCLUDED	GAC3455TOP	AGK1GGX	BGK3GGX	CPC.5/.75	3/4x12PP	TBSAFETY	
	3	1	3	3	1	3	

80' ROHN 45G
All parts shown in table are included when ordering
Part No: 45G110R080



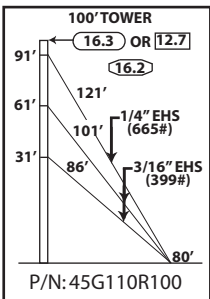
STANDARD DESIGN - 45G

110MPH REV. G, 90MPH REV. F



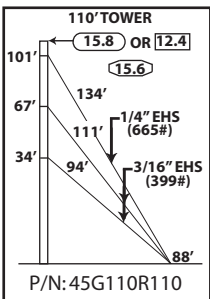
TOWER PARTS INCLUDED	45G	45AG2	BPC45G	GA45GD	FDNS		3/16EHS	1/4EHS	BG2142	BG2144	5/16THH	3/8THH	1/2TBE&J	TBSAFETY
					BASE	ANCHOR								
	8	1	1	2	CB1G	AB2								
GUY WIRE & CONNECTION INCLUDED	275'	350'	6	6	6	6								
ANCHORS & GROUNDING INCLUDED	GAC3455TOP	AGK1GGX	BGK3GGX	CPC.5/.75	3/4x12PP	TBSAFETY								
	3	1	3	3	1	3								

90' ROHN 45G
All parts shown in table are included when ordering
Part No: 45G110R090



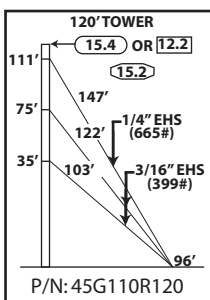
TOWER PARTS INCLUDED	45G	45AG2	BPC45G	GA45GD	FDNS		3/16EHS	1/4EHS	BG2142	BG2144	5/16THH	3/8THH	1/2TBE&J	TBSAFETY
					BASE	ANCHOR								
	9	1	1	3	CB1G	AB2								
GUY WIRE & CONNECTION INCLUDED	600'	400'	12	6	12	6							9	
ANCHORS & GROUNDING INCLUDED	GAC3455TOP	AGK1GGX	BGK3GGX	CPC.5/.75	3/4x12PP	TBSAFETY								
	3	1	3	3	1	3								

100' ROHN 45G
All parts shown in table are included when ordering
Part No: 45G110R100



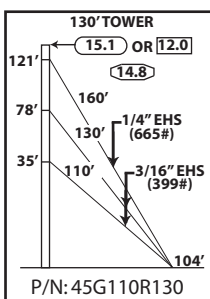
TOWER PARTS INCLUDED	45G	45AG2	BPC45G	GA45GD	FDNS		3/16EHS	1/4EHS	BG2142	BG2144	5/16THH	3/8THH	1/2TBE&J	TBSAFETY
					BASE	ANCHOR								
	10	1	1	3	CB1G	AB2								
GUY WIRE & CONNECTION INCLUDED	675'	450'	12	6	12	6							9	
ANCHORS & GROUNDING INCLUDED	GAC3455TOP	AGK1GGX	BGK3GGX	CPC.5/.75	3/4x12PP	TBSAFETY								
	3	1	3	3	1	3								

110' ROHN 45G
All parts shown in table are included when ordering
Part No: 45G110R110



TOWER PARTS INCLUDED	45G	45AG2	BPC45G	GA45GD	FDNS		3/16EHS	1/4EHS	BG2142	BG2144	5/16THH	3/8THH	1/2TBE&J	TBSAFETY
					BASE	ANCHOR								
	11	1	1	3	CB1G	AB2								
GUY WIRE & CONNECTION INCLUDED	725'	175'	12	6	12	6							9	3
ANCHORS & GROUNDING INCLUDED	GAC3455TOP	AGK1GGX	BGK3GGX	CPC.5/.75	3/4x12PP	TBSAFETY								
	3	1	3	3	1	3								

120' ROHN 45G
All parts shown in table are included when ordering
Part No: 45G110R120



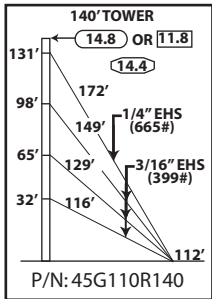
TOWER PARTS INCLUDED	45G	45AG2	BPC45G	GA45GD	FDNS		3/16EHS	1/4EHS	BG2142	BG2144	5/16THH	3/8THH	1/2TBE&J	TBSAFETY
					BASE	ANCHOR								
	12	1	1	3	CB1G	AB2								
GUY WIRE & CONNECTION INCLUDED	775'	525'	12	6	12	6							9	3
ANCHORS & GROUNDING INCLUDED	GAC3455TOP	AGK1GGX	BGK3GGX	CPC.5/.75	3/4x12PP	TBSAFETY								
	3	1	3	3	1	3								

130' ROHN 45G
All parts shown in table are included when ordering
Part No: 45G110R130



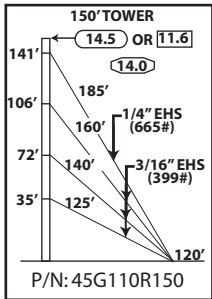
STANDARD DESIGN - 45G

110MPH REV. G, 90MPH REV. F



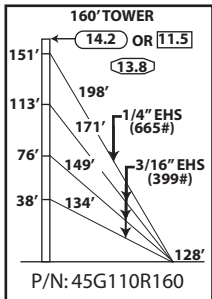
TOWER PARTS INCLUDED	45G	45AG2	BPC45G	GA45GD	FDNS		TBSAFETY
	13	1	1	4	BASE	ANCHOR	
GUY WIRE & CONNECTION INCLUDED	3/16EHS	1/4EHS	BG2142	BG2144	5/16THH	3/8THH	1/2TBE&J
	1275'	550'	18	6	18	6	12
ANCHORS & GROUNDING INCLUDED	GAC3455TOP	AGK1GGX	BGK3GGX	CPC.5/.75	3/4x12PP		
	3	1	3	3	1		

140' ROHN 45G
All parts shown in table are included when ordering
Part No: 45G110R140



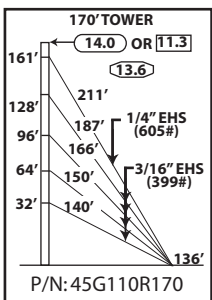
TOWER PARTS INCLUDED	45G	45AG2	BPC45G	GA45GD	FDNS		TBSAFETY
	14	1	1	4	BASE	ANCHOR	
GUY WIRE & CONNECTION INCLUDED	3/16EHS	1/4EHS	BG2142	BG2144	5/16THH	3/8THH	1/2TBE&J
	1375'	600'	18	6	18	6	12
ANCHORS & GROUNDING INCLUDED	GAC3455TOP	AGK1GGX	BGK3GGX	CPC.5/.75	3/4x12PP		
	3	1	3	3	1		

150' ROHN 45G
All parts shown in table are included when ordering
Part No: 45G110R150



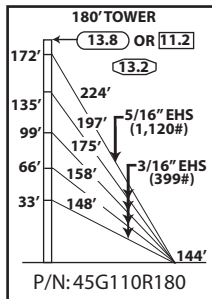
TOWER PARTS INCLUDED	45G	45AG2	BPC45G	GA45GD	FDNS		TBSAFETY
	15	1	1	4	BASE	ANCHOR	
GUY WIRE & CONNECTION INCLUDED	3/16EHS	1/4EHS	BG2142	BG2144	5/16THH	3/8THH	1/2TBE&J
	1450'	650'	18	6	18	6	12
ANCHORS & GROUNDING INCLUDED	GAC3455TOP	AGK1GGX	BGK3GGX	CPC.5/.75	3/4x12PP		
	3	1	3	3	1		

160' ROHN 45G
All parts shown in table are included when ordering
Part No: 45G110R160



TOWER PARTS INCLUDED	45G	45AG2	BPC45G	GA45GD	FDNS		TBSAFETY
	16	1	1	5	BASE	ANCHOR	
GUY WIRE & CONNECTION INCLUDED	3/16EHS	1/4EHS	BG2142	BG2144	5/16THH	3/8THH	5/8TBE&J
	2050'	675'	24	6	24	6	15
ANCHORS & GROUNDING INCLUDED	GAC5655TOP	AGK1GGX	BGK3GGX	CPC1/1.25	3/4x12PP		
	3	1	3	3	1		3

170' ROHN 45G
All parts shown in table are included when ordering
Part No: 45G110R170

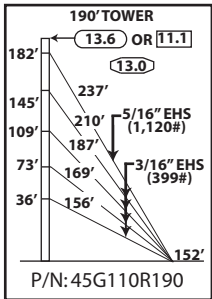


TOWER PARTS INCLUDED	45G	45GL2	BPC45G	GA45GD	APL45G	FDNS		TBSAFETY
	17	1	1	5	1	BASE	ANCHOR	
GUY WIRE & CONNECTION INCLUDED	3/16EHS	142265	BG2142	BG2146	5/16THH	7/16THH	5/8TBE&J	
	2175'	725'	24	6	24	6	15	
ANCHORS & GROUNDING INCLUDED	GAC5655TOP	AGK1GGX	BGK3GGX	CPC1/1.25	3/4x12PP			
	3	1	3	3	1		3	

180' ROHN 45G
All parts shown in table are included when ordering
Part No: 45G110R180

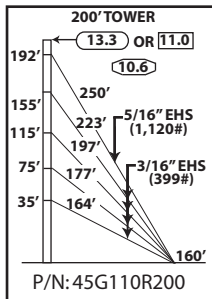


STANDARD DESIGN - 45G
110MPH REV. G, 90MPH REV. F



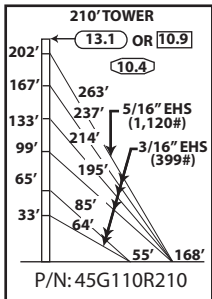
TOWER PARTS INCLUDED	45G	45GL2	BPC45G	GA45GD	APL45G	FDNS	
						BASE	ANCHOR
	17	1	1	5	1	CB2G	AB3
GUY WIRE & CONNECTION INCLUDED	3/16EHS	142265	BG2142	BG2146	5/16THH	7/16THH	5/8TBE&J
	2300'	725'	24	6	24	6	15
ANCHORS & GROUNDING INCLUDED	GAC5655TOP	AGK1GGX	BGK3GGX	CPC1/1.25	3/4x12PP	TBSAFETY	
	3	1	3	3	1	3	

190' ROHN 45G
All parts shown in table are included when ordering
Part No: 45G110R190



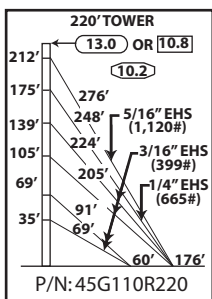
TOWER PARTS INCLUDED	45G	45GL2	BPC45G	GA45GD	APL45G	FDNS	
						BASE	ANCHOR
	19	1	1	5	1	CB2G	AB3
GUY WIRE & CONNECTION INCLUDED	3/16EHS	142265	BG2142	BG2146	5/16THH	7/16THH	5/8TBE&J
	2425'	800'	24	6	24	6	15
ANCHORS & GROUNDING INCLUDED	GAC5655TOP	AGK1GGX	BGK3GGX	CPC1/1.25	3/4x12PP	TBSAFETY	
	3	1	3	3	1	3	

200' ROHN 45G
All parts shown in table are included when ordering
Part No: 45G110R200



TOWER PARTS INCLUDED	45G	BPC45G	45GL2	APL45G	GA45GD	BASE	INNER ANCHOR	OUTER ANCHOR
GUY WIRE & CONNECTION INCLUDED	3/16EHS	142265	BG2142	BG2146	5/16THH			
	2350'	850'	30	6	30			
	7/16THH	1/2TBE&J	5/8TBE&J	TBSAFETY	3/4x12PP			
	6	6	12	6	1			
ANCHORS & GROUNDING INCLUDED	GAC5655TOP	GAC3455TOP	AGK1GGX	BGK3GGX	CPC.5/.75	CPC1/1.25		
	3	3	2	3	3	3		

210' ROHN 45G
All parts shown in table are included when ordering
Part No: 45G110R210



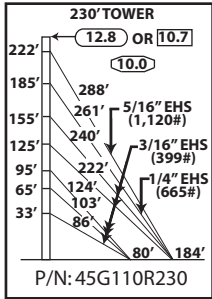
TOWER PARTS INCLUDED	45G	BPC45G	45GL2	APL45G	GA45GD	BASE	INNER ANCHOR	OUTER ANCHOR	
GUY WIRE & CONNECTION INCLUDED	3/16EHS	1/4EHS	142265	BG2142	BG2144	BG2146			
	1875'	800'	900'	24	6	6			
	5/16THH	3/8THH	7/16THH	1/2TBE&J	5/8TBE&J	TBSAFETY			
	24	6	6	6	12	6			
ANCHORS & GROUNDING INCLUDED	GAC5655TOP	GAC3455TOP	AGK1GGX	BGK3GGX	CPC.5/.75	CPC1/1.25	3/4X12PP		
	3	3	2	3	3	3	1		

220' ROHN 45G
All parts shown in table are included when ordering
Part No: 45G110R220



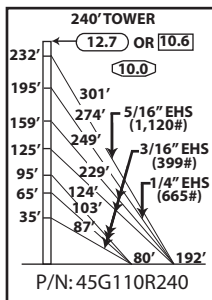
STANDARD DESIGN - 45G

110MPH REV. G, 90MPH REV. F



TOWER PARTS INCLUDED	45G	BPC45G	APL45G	GA45GD	45GL2	BASE	INNER ANCHOR	OUTER ANCHOR
		22	1	1	7	1	CB3G	AB2
GUY WIRE & CONNECTION INCLUDED	3/16EHS		1/4EHS	142265	BG2142	BG2144	BG2146	
	2475'		850'	925'	30	6	6	
	5/16THH		3/8THH	7/16THH	1/2TBE&J	5/8TBE&J	TBSAFETY	
	30		6	6	9	12	6	
ANCHORS & GROUNDING INCLUDED	GAC3455TOP	GAC5665TOP	AGK1GGX	BGK3GGX	CPC.5/.75	CPC1/1.25	3/4x12PP	
	3	3	2	3	3	3	1	

230' ROHN 45G
All parts shown in table are included when ordering
Part No: 45G110R230

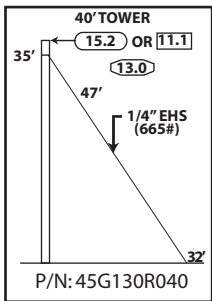


TOWER PARTS INCLUDED	45G	BPC45G	APL45G	GA45GD	45GL2	BASE	INNER ANCHOR	OUTER ANCHOR
		23	1	1	7	1	CB3G	AB2
GUY WIRE & CONNECTION INCLUDED	3/16EHS		1/4EHS	142265	BG2142	BG2144	BG2146	
	2700'		875'	975'	30	6	6	
	5/16THH		3/8THH	7/16THH	1/2TBE&J	5/8TBE&J	TBSAFETY	
	30		6	6	9	12	6	
ANCHORS & GROUNDING INCLUDED	GAC3455TOP	GAC5665TOP	AGK1GGX	BGK3GGX	CPC.5/.75	CPC1/1.25	3/4x12PP	
	3	3	2	3	3	3	1	

240' ROHN 45G
All parts shown in table are included when ordering
Part No: 45G110R240

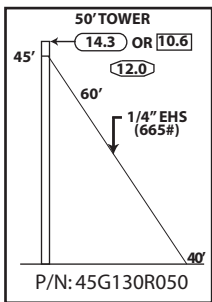


STANDARD DESIGN - 45G
130MPH REV. G, 110MPH REV. F



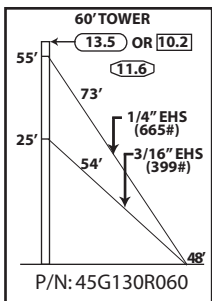
TOWER PARTS INCLUDED	45G	45AG2	BPC45G	GA45GD	FDNS	
					BASE	ANCHOR
	3	1	1	1	CB1G	AB2
GUY WIRE & CONNECTION INCLUDED	1/4EHS	BG2144	3/8THH	1/2TBE&J	TBSAFETY	
	150'	6	6	3	3	
ANCHORS & GROUNDING INCLUDED	GAC3455TOP	AGK1GGX	BGK3GGX	CPC.5/.75	3/4x12PP	
	3	1	3	3	1	

40' ROHN 45G
All parts shown in table are included when ordering
Part No: 45G130R040



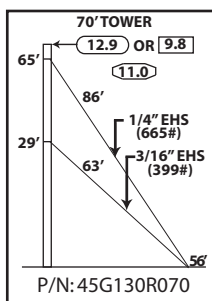
TOWER PARTS INCLUDED	45G	45AG2	BPC45G	GA45GD	FDNS	
					BASE	ANCHOR
	4	1	1	1	CB1G	AB2
GUY WIRE & CONNECTION INCLUDED	1/4EHS	BG2144	3/8THH	1/2TBE&J	TBSAFETY	
	200'	6	6	3	3	
ANCHORS & GROUNDING INCLUDED	GAC3455TOP	AGK1GGX	BGK3GGX	CPC.5/.75	3/4x12PP	
	3	1	3	3	1	

50' ROHN 45G
All parts shown in table are included when ordering
Part No: 45G130R050



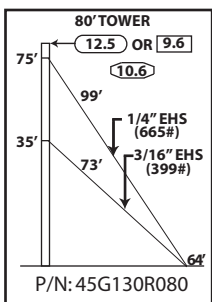
TOWER PARTS INCLUDED	45G	45AG2	BPC45G	GA45GD	FDNS		
					BASE	ANCHOR	
	5	1	1	2	CB1G	AB2	
GUY WIRE & CONNECTION INCLUDED	3/16EHS	1/4EHS	BG2142	BG2144	5/16THH	3/8THH	1/2TBE&J
	175'	250'	6	6	6	6	6
ANCHORS & GROUNDING INCLUDED	GAC3455TOP	AGK1GGX	BGK3GGX	CPC.5/.75	3/4x12PP	TBSAFETY	
	3	1	3	3	1	3	

60' ROHN 45G
All parts shown in table are included when ordering
Part No: 45G130R060



TOWER PARTS INCLUDED	45G	45AG2	BPC45G	GA45GD	FDNS		
					BASE	ANCHOR	
	6	1	1	2	CB1G	AB2	
GUY WIRE & CONNECTION INCLUDED	3/16EHS	1/4EHS	BG2142	BG2144	5/16THH	3/8THH	1/2TBE&J
	225'	275'	6	6	6	6	6
ANCHORS & GROUNDING INCLUDED	GAC3455TOP	AGK1GGX	BGK3GGX	CPC.5/.75	3/4x12PP	TBSAFETY	
	3	1	3	3	1	3	

70' ROHN 45G
All parts shown in table are included when ordering
Part No: 45G130R070

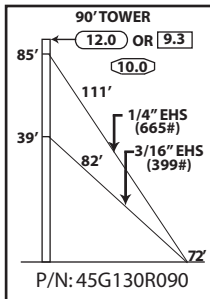


TOWER PARTS INCLUDED	45G	45AG2	BPC45G	GA45GD	FDNS		
					BASE	ANCHOR	
	7	1	1	2	CB1G	AB2	
GUY WIRE & CONNECTION INCLUDED	3/16EHS	1/4EHS	BG2142	BG2144	5/16THH	3/8THH	1/2TBE&J
	250'	325'	6	6	6	6	6
ANCHORS & GROUNDING INCLUDED	GAC3455TOP	AGK1GGX	BGK3GGX	CPC.5/.75	3/4x12PP	TBSAFETY	
	3	1	3	3	1	3	

80' ROHN 45G
All parts shown in table are included when ordering
Part No: 45G130R080

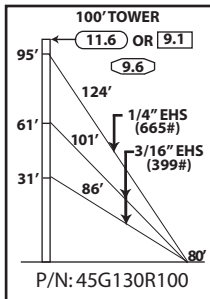


STANDARD DESIGN - 45G 130MPH REV. G, 110MPH REV. F



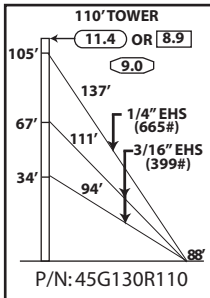
TOWER PARTS INCLUDED	45G	45AG2	BPC45G	GA45GD	FDNS		
					BASE	ANCHOR	
	8	1	1	2	CB1G	AB2	
GUY WIRE & CONNECTION INCLUDED	3/16EHS	1/4EHS	BG2142	BG2144	5/16THH	3/8THH	1/2TBE&J
	275'	375'	6	6	6	6	6
ANCHORS & GROUNDING INCLUDED	GAC3455TOP	AGK1GGX	BGK3GGX	CPC.5/.75	3/4x12PP	TBSAFETY	
	3	1	3	3	1	3	

90' ROHN 45G
All parts shown in table are included when ordering
Part No: 45G130R090



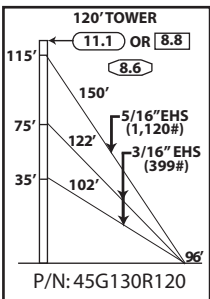
TOWER PARTS INCLUDED	45G	45AG2	BPC45G	GA45GD	FDNS		
					BASE	ANCHOR	
	9	1	1	3	CB1G	AB2	
GUY WIRE & CONNECTION INCLUDED	3/16EHS	1/4EHS	BG2142	BG2144	5/16THH	3/8THH	1/2TBE&J
	600'	400'	12	6	12	6	9
ANCHORS & GROUNDING INCLUDED	GAC3455TOP	AGK1GGX	BGK3GGX	CPC.5/.75	3/4x12PP	TBSAFETY	
	3	1	3	3	1	3	

100' ROHN 45G
All parts shown in table are included when ordering
Part No: 45G130R100



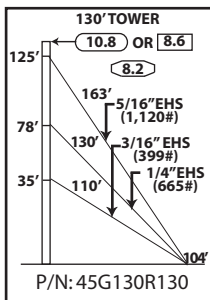
TOWER PARTS INCLUDED	45G	45AG2	BPC45G	GA45GD	FDNS		
					BASE	ANCHOR	
	10	1	1	3	CB1G	AB2	
GUY WIRE & CONNECTION INCLUDED	3/16EHS	1/4EHS	BG2142	BG2144	5/16THH	3/8THH	1/2TBE&J
	675'	450'	12	6	12	6	9
ANCHORS & GROUNDING INCLUDED	GAC3455TOP	AGK1GGX	BGK3GGX	CPC.5/.75	3/4x12PP	TBSAFETY	
	3	1	3	3	1	3	

110' ROHN 45G
All parts shown in table are included when ordering
Part No: 45G130R110



TOWER PARTS INCLUDED	45G	45GL5	BPC45G	GA45GD	APL45G	FDNS	
						BASE	ANCHOR
	11	1	1	3	1	CB1G	AB2
GUY WIRE & CONNECTION INCLUDED	3/16EHS	142265	BG2142	BG2146	5/16THH	7/16THH	1/2TBE&J
	725'	500'	12	6	12	6	6
ANCHORS & GROUNDING INCLUDED	GAC3455TOP	AGK1GGX	BGK3GGX	CPC.5/.75	3/4x12PP	TBSAFETY	
	3	1	3	3	1	3	

120' ROHN 45G
All parts shown in table are included when ordering
Part No: 45G130R120

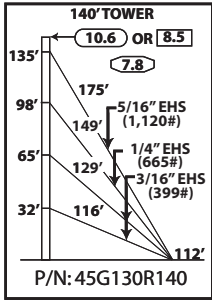


TOWER PARTS INCLUDED	45G	45GL5	BPC45G	GA45GD	APL45G	FDNS	
						BASE	ANCHOR
	12	1	1	3	1	CB2G	AB3
GUY WIRE & CONNECTION INCLUDED	3/16EHS	1/4EHS	142265	BG2142	BG2144	BG2146	
	350'	425'	525'	6	6	6	
	5/16THH	3/8THH	7/16THH	5/8TBE&J	TBSAFETY		
ANCHORS & GROUNDING INCLUDED	GAC3455TOP	AGK1GGX	BGK3GGX	CPC1/1.25	3/4x12PP	TBSAFETY	
	3	1	3	3	1	3	

130' ROHN 45G
All parts shown in table are included when ordering
Part No: 45G130R130

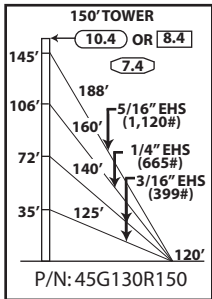


STANDARD DESIGN - 45G
130MPH REV. G, 110MPH REV. F



TOWER PARTS INCLUDED	45G	45GL5	BPC45G	GA45GD	APL45G	FDNS	
						BASE	ANCHOR
	13	1	1	4	1	CB2G	AB3
GUY WIRE & CONNECTION INCLUDED	3/16EHS	1/4EHS	142265	BG2142	BG2144	BG2146	
	800'	475'	575'	12	6	6	
	5/16THH	3/8THH	7/16THH	5/8TBE&J	TBSAFETY		
	12	6	6	12	3		
ANCHORS & GROUNDING INCLUDED	GAC5655TOP	AGK1GGX	BGK3GGX	CPC1/1.25	3/4x12PP		
	3	1	3	3	1		

140' ROHN 45G
All parts shown in table are included when ordering
Part No: 45G130R140



TOWER PARTS INCLUDED	45G	45GL5	BPC45G	GA45GD	APL45G	FDNS	
						BASE	ANCHOR
	14	1	1	4	1	CB2G	AB3
GUY WIRE & CONNECTION INCLUDED	3/16EHS	1/4EHS	142265	BG2142	BG2144	BG2146	
	850'	525'	600'	12	6	6	
	5/16THH	3/8THH	7/16THH	5/8TBE&J	TBSAFETY		
	12	6	6	12	3		
ANCHORS & GROUNDING INCLUDED	GAC5655TOP	AGK1GGX	BGK3GGX	CPC1/1.25	3/4x12PP		
	3	1	3	3	1		

150' ROHN 45G
All parts shown in table are included when ordering
Part No: 45G130R150



PARTS & ACCESSORIES

<p>TOP SECTION 45AG</p>	<p>TOP SECTION 45AG1</p>	<p>TOP SECTION 45AG2</p>	<p>TOP SECTION 45AG3</p>
------------------------------------	-------------------------------------	-------------------------------------	-------------------------------------

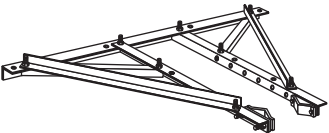
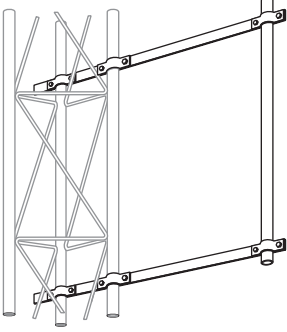
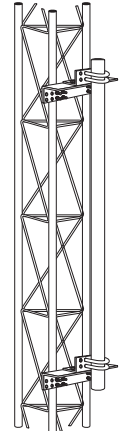
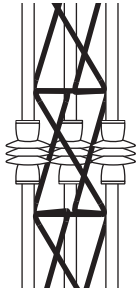
<p>TOP SECTION 45AG4</p>	<p>TOP SECTION 45AG5</p>	<p>BEARING PLATE BPL45G CONVERTS STANDARD SECTION TO A TOP SECTION. SHOWN WITH TB3 (2" O.D.) THRUST BEARING. TB4 (3" O.D.) THRUST BEARING ALSO AVAILABLE.</p>	<p>BEACON PLATE APL45G FOR MOUNTING BEACON. BOLTS TO TOP OF STANDARD SECTION.</p>
-------------------------------------	-------------------------------------	--	--

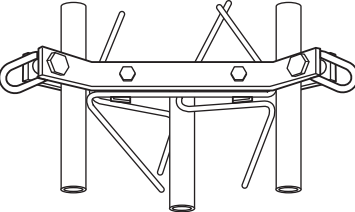
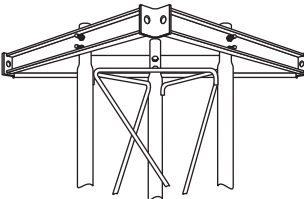
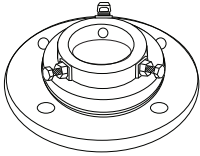
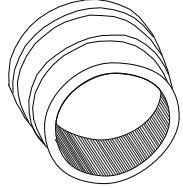

<p>ACCESSORY SHELF AS455G FOR MOUNTING MANY POPULAR ROTORS. FIELD DRILLING MAY BE NECESSARY FOR SOME ROTORS.</p>	<p>HINGED BASE PLATE BPH45G* BOLTS TO CONCRETE. HINGED TO ALLOW TOWER TO BE ROTATED UP FROM BASE DURING INSTALLATION.</p> <p>BASE BOLTS 1/2x12BB MUST BE ORDERED SEPARATELY.</p>	<p>TAPERED BASE 45TGA* CAN BE USED WITH A4197L BASE INSULATOR OR WITH 3/4x12PP.</p> <p>5' SHORT BASE SB45G THESE BASE SECTIONS FOR EMBEDMENT IN CONCRETE.</p>	<p>FLAT ROOF MOUNT FR45G* BOLTS DIRECTLY TO FLAT ROOF SURFACE.</p>
---	--	---	---

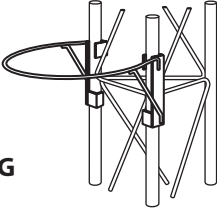
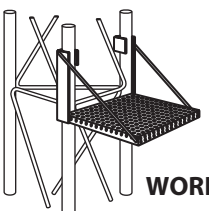
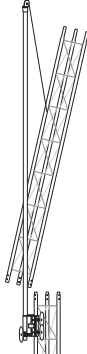


* TOWERS MOUNTED ON THESE BASES MUST BE BRACKETED OR GUYED AT ALL TIMES. TEMPORARY STEEL GUYING MAY ALSO BE NECESSARY DURING INSTALLATION AND DISMANTLING.



PARTS & ACCESSORIES

 <p>HEAVY DUTY UNIVERSAL HOUSE BRACKET HBUTVRO ADJUSTABLE TO POSITION TOWER 18" - 36" FROM WALL.</p>	 <p>SIDE ARM BRACKET SA253UA MOUNTING TUBE PROVIDED IS 3' LONG, 2 - 1/4" O.D.</p>	 <p>FACE MOUNT DM45G2 - 2 3/8" O.D. 5' LONG DM454 - 4 1/2" O.D. PIPE, 5' LONG</p>	 <p>INSULATOR SECTION 45RG*</p>
--	---	---	---

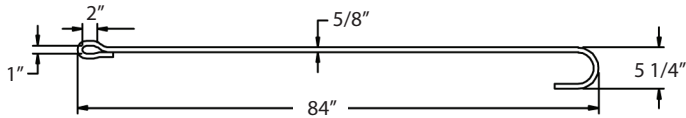
 <p>GUY BRACKET GA45GD MOUNTS TO ANY TOWER AT ANY HORIZONTAL BRACE.</p> <p>TORQUE BARS TB45D REQUIRES THREE 3/8s SHACKLES FOR INSTALLATION. (NOT SHOWN)</p>	 <p>TORQUE ARM STABILIZER ASSEMBLY TA45</p>	 <p>THRUST BEARING TB3 - SUPPORTS UP TO 2" O.D. MAST. TB4 - SUPPORTS UP TO 3" O.D. MAST.</p>  <p>TOWER BUSHING TB50 - 1-1/4" I.D. X 2" O.D. TB75 - 1-1/2" I.D. X 2" O.D. FOR USE ON 45AG TOP SECTION</p>	 <p>ANTI-CLIMB PANELS 455ACL3 BOLT ON SHEETS TO PROVIDE ANTI-CLIMB PROTECTION.</p>
---	--	--	---

 <p>SAFETY RING SR245 SNAPS INTO PLACE AT ANY LEVEL. NO BOLTS REQUIRED.</p>  <p>WORK PLATFORM WP45G SNAPS INTO PLACE AT ANY LEVEL. NO BOLTS REQUIRED.</p>	 <p>ERECTION FIXTURE EF2545 - 2 1/2" SHEAVE WITH 3/8" I.D. GROOVE. NOTE: ERECTION FIXTURES ARE FOR LIFTING ONE 10' SECTION AT A TIME AND ARE NOT INTENDED FOR THE LIFTING OF PERSONNEL.</p>	<p>CLIMBING HARNESS TTFBH-4D 4D RING HARNESS TTFBH-C/P PROFESSIONAL HARNESS</p>  <p>SAFETY CABLE SLIDER TT-WG-500-W/SMC WIRE ROPE GRAB WITH CARABINEER.</p> 	<p>SAFETY CABLE SYSTEM ORDERING INFORMATION</p> <table border="1"> <thead> <tr> <th>TOWER HEIGHT</th> <th>PART NUMBER</th> </tr> </thead> <tbody> <tr> <td>50'</td> <td>TT0504555</td> </tr> <tr> <td>100'</td> <td>TT1004555</td> </tr> <tr> <td>150'</td> <td>TT1504555</td> </tr> <tr> <td>200'</td> <td>TT2004555</td> </tr> <tr> <td>250'</td> <td>TT2504555</td> </tr> <tr> <td>300'</td> <td>TT3004555</td> </tr> <tr> <td>350'</td> <td>TT3504555</td> </tr> </tbody> </table>	TOWER HEIGHT	PART NUMBER	50'	TT0504555	100'	TT1004555	150'	TT1504555	200'	TT2004555	250'	TT2504555	300'	TT3004555	350'	TT3504555
TOWER HEIGHT	PART NUMBER																		
50'	TT0504555																		
100'	TT1004555																		
150'	TT1504555																		
200'	TT2004555																		
250'	TT2504555																		
300'	TT3004555																		
350'	TT3504555																		

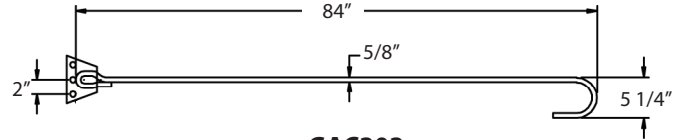
* TOWERS MOUNTED ON THESE BASES MUST BE BRACKETED OR GUYED AT ALL TIMES. TEMPORARY STEEL GUYING MAY ALSO BE NECESSARY DURING INSTALLATION AND DISMANTLING.



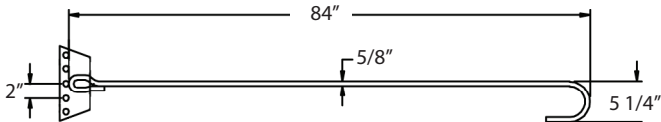
GROUNDING INFORMATION



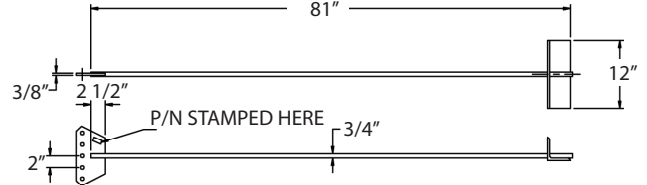
GAR30
(7,330 LBS. ALLOWABLE LOAD)*



GAC303
(7,330 LBS. ALLOWABLE LOAD)*



GAC305
(7,330 LBS. ALLOWABLE LOAD)*



GAC3455TOP
(17,670 LBS. ALLOWABLE LOAD)*

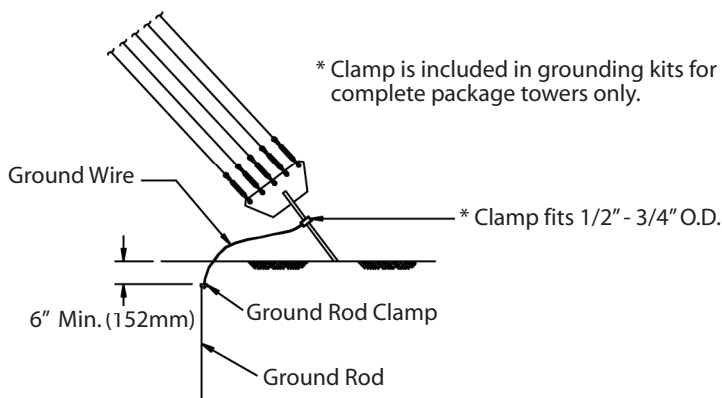
ANCHOR RODS

Notes:

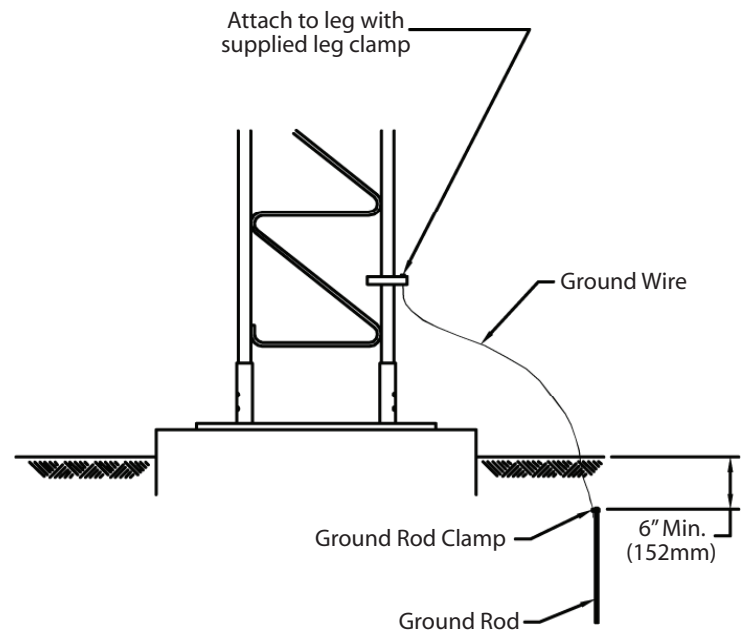
1. GAC303 and GAC305 rods are supplied with type EP25343 and EP25345 equalizer plates - as in type GAR30 rod.
2. Part number suffixes 3, 5 and 55 denotes 3 or 5 holes in equalizer plates.
3. Type EE equalizer plates are supplied in pairs for eye and eye turnbuckles.
4. Type EJ equalizer plates are used with eye and jaw turnbuckles.

* INCLUDES 33.33 INCREASE IN ALLOWABLE STRESSES.

ANCHOR GROUNDING AGK1GGX

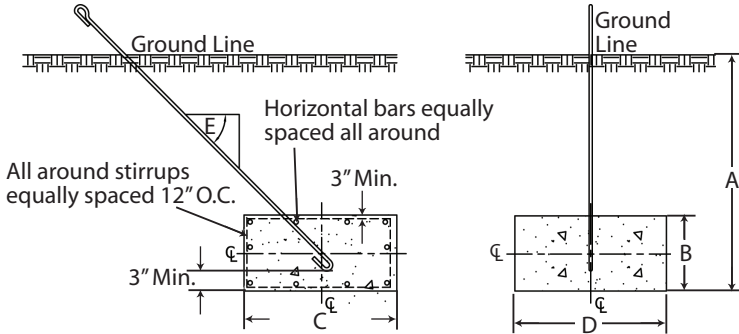


BASE GROUNDING BGK3GGX

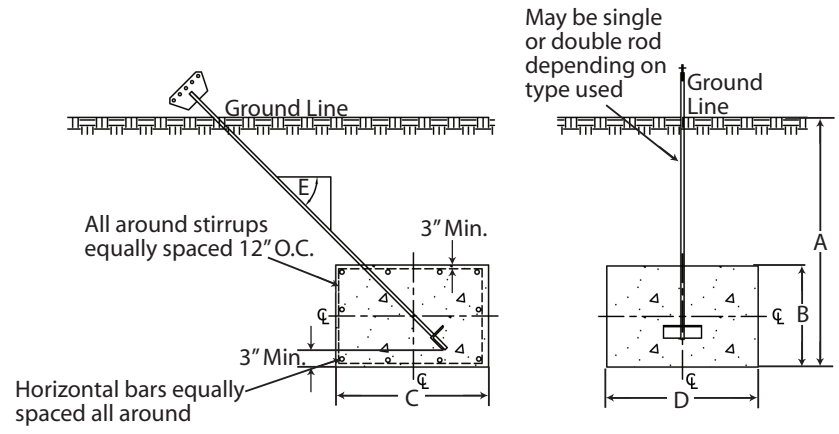




STANDARD DESIGN ANCHOR BLOCKS



Anchor Detail for:
GAC30 & GAR30



Anchor Detail for:
GAC34, 56, 57 & 58

Block	Anchor Dimensions (in.)				Horizontal Bars (Qty. & Size)	Bar Spacing	Concrete Vol. (Cu. Yds.) Round Pier
	A	B	C	D			
AB1*	3' - 0"	1' - 0"	3' - 0"	4' - 0"	(4) #5 Bars, Top Layer (4) #5 Bars, Bottom Layer	10" O.C.	0.44 Per Block 1.3 Total for 3
AB2*	4' - 0"	1' - 6"	4' - 0"	6' - 0"	(5) #6 Bars, Top Layer (5) #6 Bars, Bottom Layer	10.5" O.C.	1.33 Per Block 4.0 Total for 3
AB3*	6' - 0"	1' - 6"	3' - 0"	6' - 0"	(4) #6 Bars, Top Layer (4) #6 Bars, Bottom Layer	10" O.C.	1.0 Per Block 3.0 Total for 3
AB4**	6' - 0"	1' - 6"	4' - 0"	9' - 0"	(5) #6 Bars, Top Layer (5) #6 Bars, Bottom Layer	10.5" O.C.	2.0 Per Block 6.0 Total for 3
AB5**	8' - 0"	2' - 0"	3' - 0"	10' - 0"	(4) #7 Bars, Top Layer (4) #7 Bars, Bottom Layer	10" O.C.	2.22 Per Block 6.7 Total for 3
AB6**	8' - 0"	2' - 0"	4' - 0"	10' - 0"	(5) #7 Bars, Top Layer (5) #7 Bars, Bottom Layer	10.5" O.C.	2.96 Per Block 8.9 Total for 3

(See tower assembly drawing for anchor rod slope 'E')

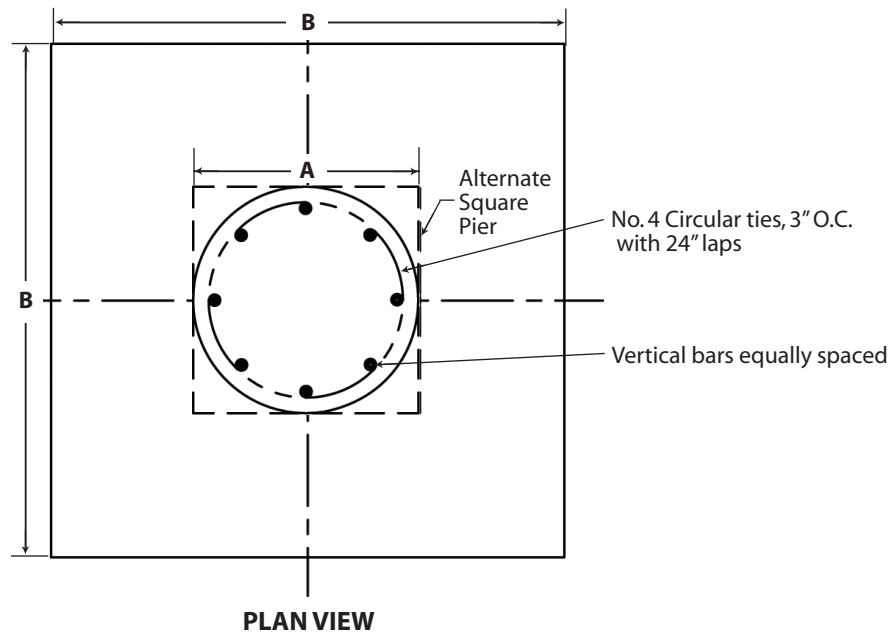
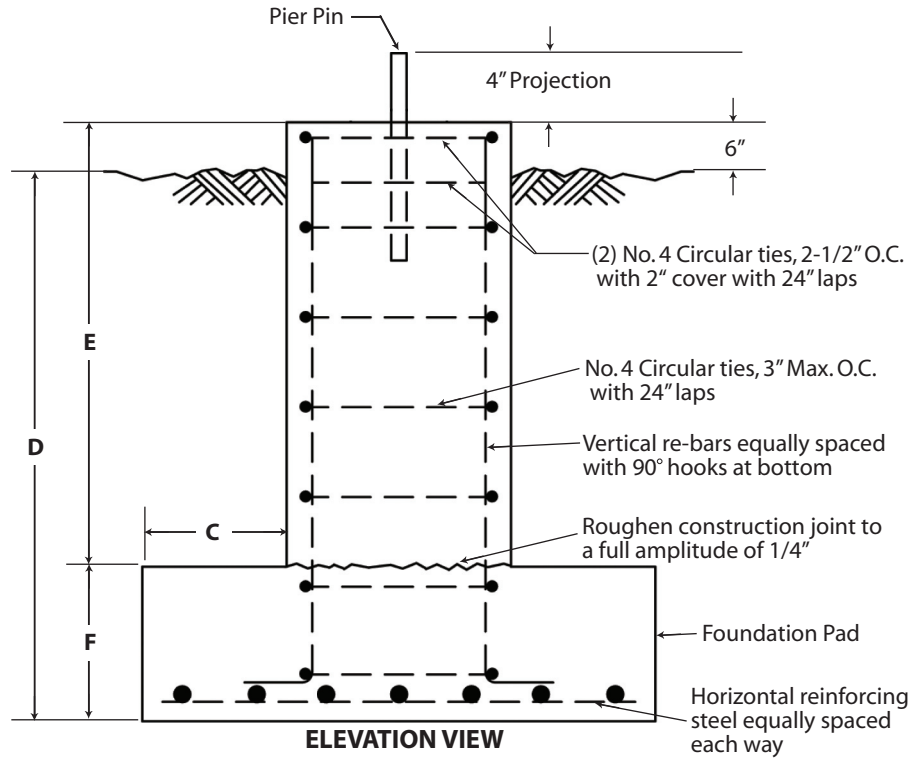
NOTE:

1. Due to variables involved during installation, it shall be the customer's or installer's responsibility to provide structurally adequate supports for pier and anchor connections. It may also be necessary for the customer or installer to secure the service of a local engineer to determine that installation complies with local building codes.
2. Additional corrosion protection may be required for steel guy anchors in direct contact with soil.

* #3 Stirrups equally spaced 12" O.C.
** #4 Stirrups equally spaced 12" O.C.



STANDARD FOUNDATIONS





STANDARD FOUNDATIONS FOR 45G TOWERS

CB No.	A*	B	C	D	E	F	Concrete Vol. (Cu. Yds.) Round Pier	Vertical Bars (No. & Size)	Horiz. Bars in Pad** (No. & Size)
1G	2'-6"	2'-6"	0	4'-0"	0	0	0.80	(8) #7	NONE
2G	3'-0"	3'-0"	0	4'-0"	0	0	1.20	(10) #7	NONE
3G	3'-6"	3'-6"	0	4'-0"	0	0	1.60	(12) #7	NONE
4G	4'-0"	4'-0"	0	4'-0"	0	0	2.10	(12) #8	NONE
5G	2'-0"	4'-0"	1'-0"	4'-0"	3'-3"	1'-3"	1.10	(8) #6	(5) #5
6G	2'-0"	4'-6"	1'-3"	4'-0"	3'-3"	1'-3"	1.30	(8) #6	(6) #5
7G	2'-0"	5'-0"	1'-6"	4'-6"	3'-9"	1'-3"	1.60	(8) #6	(6) #5
8G	2'-0"	5'-6"	1'-9"	4'-6"	3'-9"	1'-3"	1.80	(8) #6	(7) #5
9G	2'-0"	6'-0"	2'-0"	4'-6"	3'-6"	1'-6"	2.40	(8) #6	(7) #6
10G	2'-0"	6'-6"	2'-3"	4'-6"	3'-6"	1'-6"	2.80	(8) #6	(8) #5
11G	2'-6"	7'-0"	2'-3"	5'-0"	3'-9"	1'-9"	3.90	(8) #7	(8) #6
12G	2'-6"	7'-6"	2'-6"	5'-0"	3'-9"	1'-9"	4.30	(8) #7	(9) #6
13G	2'-6"	8'-0"	2'-9"	5'-0"	3'-9"	1'-9"	4.80	(8) #7	(9) #6
14G	3'-0"	8'-6"	2'-9"	5'-0"	3'-6"	2'-0"	6.30	(12) #7	(9) #7
15G	3'-0"	9'-0"	3'-0"	5'-0"	3'-6"	2'-0"	6.90	(12) #7	(10) #7

NOTES:

1. See tower assembly drawing for foundation layout and part numbers for bearing plate and pier pin.
- *2. Use minimum 2' - 6" sq. or 3' - 0" diameter round pier when BPC45G or BPC55G is used.
3. Vertical reinforcing steel shall be replaced with straight bars when no pad is required.
- **4. Horizontal bars in chart refer only to the bars in the foundation pad (each way).