

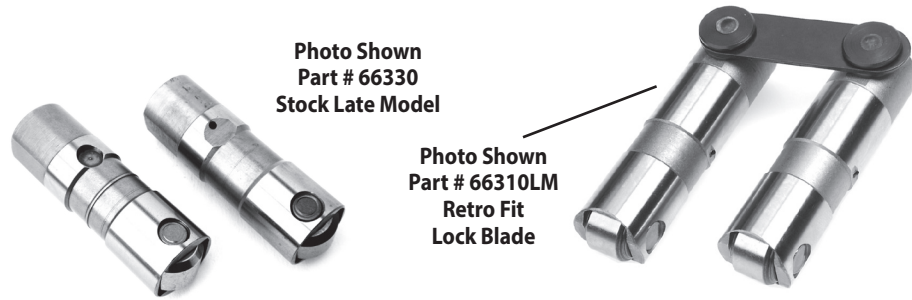


**CROWDER**

**RACING PRODUCTS**

**ROLLER LIFTER APPLICATION GUIDE**

# Hydraulic Roller Lifters



Crower hydraulic roller lifters combine the performance level characteristics of a roller with the reliability of a hydraulic. Crower hydraulic lifters are precision flow checked for optimum leak down rates Completely redesigned body and bearing. Retro-fit hydraulic rollers are for early style blocks.

<b>LATE MOD-</b> (Drop-in style - No Blade)	Spring Pressure Group	Lifter Body Diameter	Pushrod Seat Height	Lifter Weight	Bearing O.D.	Checking Pushrods	Checking Pushrod Length	HIPPO	Part No.
CHEVROLET 262-400 V8 - Late Model	1		-			70478-2	6.900"	-	66330-16
CHEVROLET 396-454 V8 - Late Model	1		-			70470-2	7.500"	-	66331-16
CHEVROLET 396-454 V8 - Late Model (Truck/Tall Deck)	1		-			70461-2	7.150"	-	66331-16
DODGE Magnum V8 (set/16) - Late Model	1		-			70466	7.600"/8.600"	-	66325-16
DODGE Magnum V10 and Viper V10 (set/20) - Late Model	1		-			70466T	8.000"/9.000"	-	66325-20
FORD 302 V8 For Late Model 289-302	1		-			70477-2	6.250"	-	66335-16
<b>RETRO-FIT</b> (Retro-Fit Rollers are linked pairs)	Spring Pressure Group	Lifter Body Diameter	Pushrod Seat Height	Lifter Weight	Bearing O.D.	Checking Pushrods	Checking Pushrod Length	HIPPO	Part No.
CHEVROLET SBC 265-400 .300" - Taller retro-fit	1		-			70479-2	7.300"	-	66310LM-16*1
CHEVROLET SBC 265-400 .300" Taller retro-fit with pin oiling	1		-			70479-2	7.300"	YES	66310H-16
CHEVROLET 396-454 V8 .300" - Taller retro-fit	1		-			70465	7.750"/8.750"	-	66321LM-16*1
CHEVROLET 396-454 V8 .300" - Taller retro-fit (Truck/Tall Deck)	1		-			70465T	8.150"/9.150"	-	66321LM-16*1
CHEVROLET 396-454 V8 .300" Taller retro-fit with pin oiling	1		-			70465	7.750"/8.750"	YES	66321H-16
GM LS1	1		-					-	66322-16
FORD Small Block 289-302-351W - Retro-fit lifter	1		-			70477-2	6.250"	-	66337-16
FORD Big Block 429, 460 - Retro-fit lifter	1		-			70463-2	7.975"	-	66338-16
MOPAR Small Block 273-360 - Retro-fit lifter	1		-			70499-2	Custom	-	66339-16
MOPAR Big Block 383-440 - Retro-fit lifter	1		-			70499-2	Custom	-	66341-16
OLDSMOBILE retro-fit hydraulic roller lifters	1		-			70462-2	8.700"	-	66333-16
PONTIAC retro-fit hydraulic roller lifters	1		-			70462-2	8.700"	-	66333-16

\*Requires a shorter pushrod length.

<sup>1</sup>Will fit Early & Late model blocks.

Spring Groups: #1 300-450 lbs. (See Page 3 for details.)

**All Crower hydraulic roller lifters are precision flow checked for optimum reliability**



# Solid Roller Lifters

## APPLICATION GUIDELINES

**Hydraulic Roller Lifter:** For Hydraulic Roller camshaft applications. Suitable for Hydraulic roller cam designs only.

### Spring Pressure Group #1

**Original Crowder Roller-Full Body Style:** These were designed for early GM Blocks and are an "Entry level" roller and the lowest priced Crowder mechanical roller lifter. Suitable for mild to semi aggressive cam designs. Available in .842 & .874 diameter only.

### Spring Pressure Group #2

**Hi-Seat Offset Rollers-Integral Rev-kit Button Style:** High-Seat rollers feature a .180" offset pushrod seat and integral rev kit button which allows for shorter push rods, reducing flex and weight for improved valve control. Suitable for aggressive cam design

### Spring Pressure Group #3

**Severe Duty Roller-Cutaway Style:** Designed for higher spring pressures, greater pushrod clearance and available in offsets to suit most aftermarket cylinder heads. Available in .842, .874, .903, .937 diameters. The oversized (.903" & .937") diameters help distribute the load of increased spring pressures by incorporation a larger diameter bearings. Suitable for aggressive cam designs

### Spring pressure groups: # 3,5,8

**EnduraMax Roller-Bushed Bearing Style:** Designed for higher spring pressures when larger diameter rollers are not an option or in the larger diameter lifters where spring pressures are extreme. The spring pressures exerted on the roller are disbursed over the full surface area of the bushed bearing. Engine blocks must have oil available to the lifter. Available in .842, .874, .903, .937 diameters. Suitable for Aggressive Cam Designs

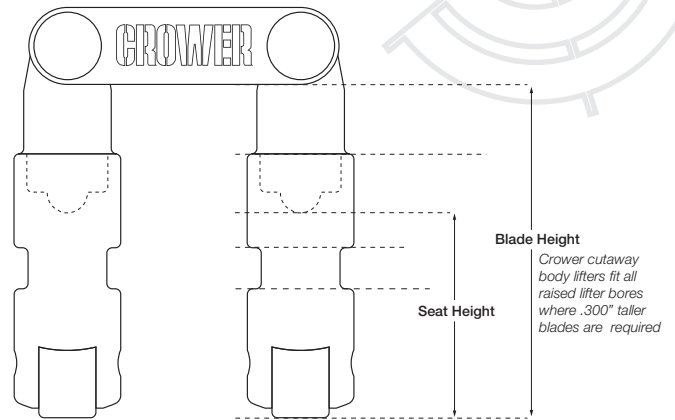
### Spring Pressure Groups: # 4,6,9

**Maximus Roller-Large Diameter Needles, Tool Steel Pin & Outer race:** Typical Applications for this roller lifter are Top Fuel, Blown Alcohol. The Maximus roller lifter incorporates large diameter needles, matched tool steel axle and outer bearings to create the optimum rolling element. Available in .903 and .998 OD. Suitable for Aggressive Cam design.

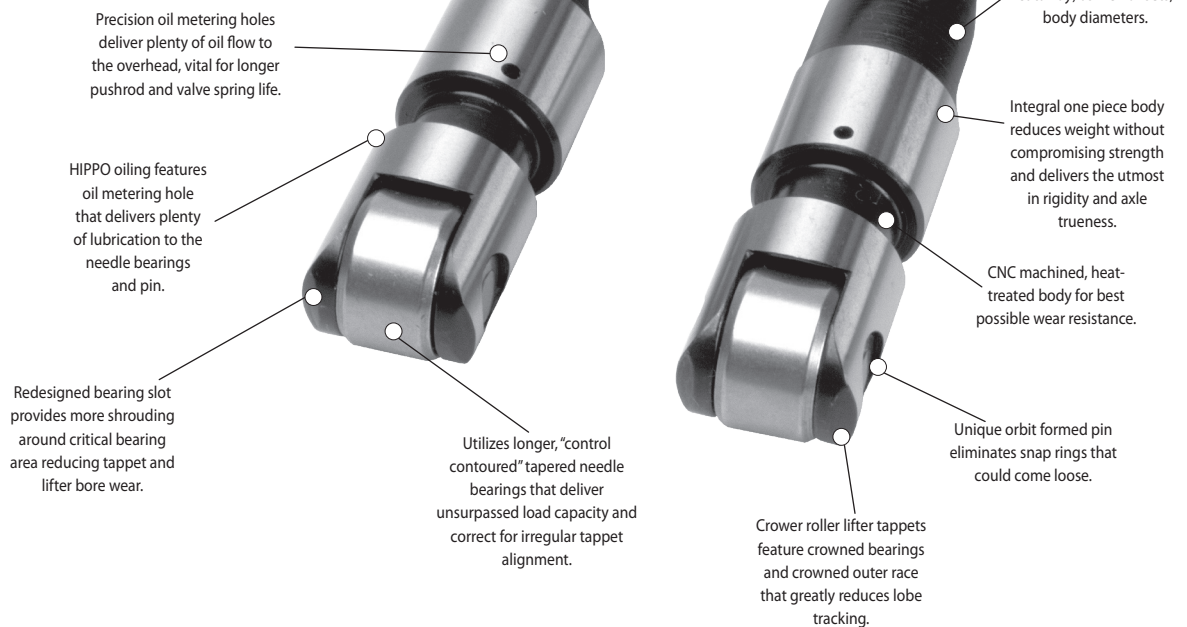
**Note:** 1 1/16 OD for Top Fuel - Coming Soon.

### Spring Pressure Groups: #7 & 10

**Note:** Spring pressure is not the only factor that needs to be addressed when determining what roller spring group you need. Engines with NOS, Turbos or Blowers create very high cylinder pressures that the exhaust valves must have to open against. In these instances we recommend going with the highest group number that your lifter bore will allow.



Group#	Open Spring Pressure
1	300-450
2	680-750
3	750-900
4	900-1000
5	1000-1300
6	1050-1350
7	1150-1350
8	1200-1400
9	1250-1450
10	1400+



# Solid Roller Lifters



## CROWER'S ORIGINAL FULL BODY ROLLER LIFTERS

The best roller tappets on the market. Delivers 200% more life expectancy than competing brands. Features crowned bearings and crowned outer race that greatly reduces lobe tracking. No offsets.

Description	Spring Pressure Group	Lifter Body Diameter	Pushrod Seat Height	Lifter Weight	Tall Lifter Bore Block*	Bearing O.D.	Part No.	HIPPO Part No.
CHEVY II 4 cylinder	2	.8415"	1.740"	126g	NO	.750"	66206-8	66206H-8
CHEVROLET '62-up 194-250 6 cylinder	2	.8415"	1.740"	126g	NO	.750"	66207-12	66207H-12
CHEVROLET V8 '55-up 262-400 cu. in.	2	.8415"	1.590"	119g	NO	.750"	66200-16	66200H-16
CHEVROLET V8 Small Block .300 taller body	2	.8415"	1.590"	125g	YES	.750"	66200T-16	66200TH-16
CHEVROLET V8 '55-up 262-400 cu. in.	2	.8731"	1.590"	130g	NO	.750"	66200X874-16	66200X874H-16
CHEVROLET V8 '64-up Big Block	2	.8415"	1.590"	119g	NO	.750"	66201-16	66201H-16
CHEVROLET V8 Big Block .300 taller body	2	.8415"	1.590"	125g	YES	.750"	66201T-16	66201TH-16
CHEVROLET V8 '64-up Big Block	2	.8731"	1.590"	130g	NO	.750"	66201X874-16	66201X874H-16
CHEVROLET V8 '58-'65 348-409 cu. in.	2	.8415"	1.590"	119g	NO	.750"	66201-16	66201H-16
OLDSMOBILE V8 '64-'84 260-455 cu. in.	2	.8415"	1.740"	127g	NO	.750"	66260-16	66260H-16
PONTIAC V8 '55-up 326-455 cu. in.	2	.8415"	1.740"	127g	NO	.750"	66260-16	66260H-16

For High Pressure Pin Oiling (HIPPO), specify "H" after p/n.

\*Tall Lifter Bore Block (tappets fit blocks with taller lifter bores)

Ex: 66200H-16

Also available in pairs by replacing -16 with -2.

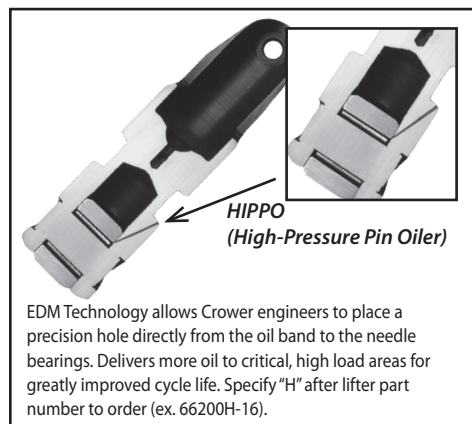
Crower roller lifters are rebuildable.

Spring Groups: #2 680-750 lbs. (See Page 3 for details.)

## GROOVE LOCK ROLLERS

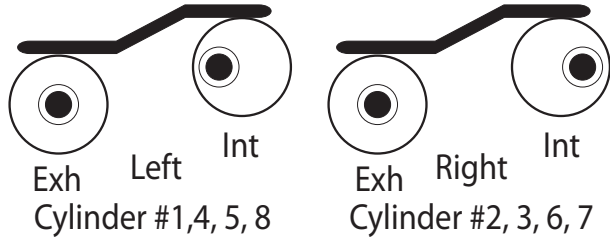
Crower has Groove Lock Rollers available for Flat Head Ford, and Diesel Applications. Call Crower for availability and pricing.

## High Pressure Pin Oiling (HIPPO)

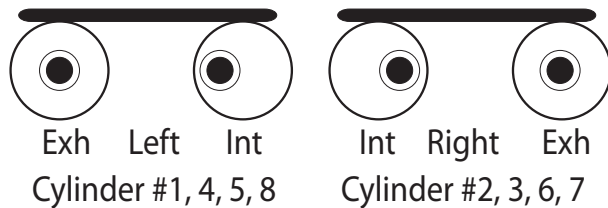


# Solid Roller Lifters

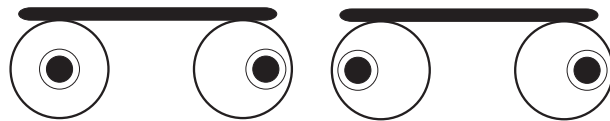
## BB CHEVY



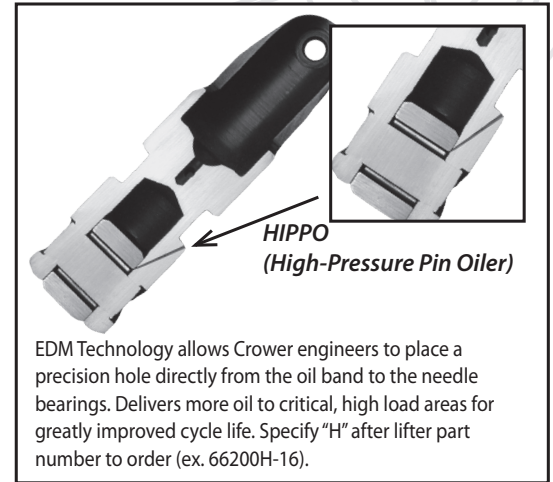
## SB CHEVY



## SB/BB FORD      SBC w/SB2 Head



When ordering only pairs of roller lifters:  
 SB Chevy 1, 4, 5, 8 cylinders, specify "L" for left offset  
 ex. #66292X937L-2 and be sure to specify cylinder number.  
 SB Chevy 2, 3, 6, 7 cylinders, specify "R" for right offset  
 ex. #66292X937R-2 and be sure to specify cylinder number.



## Roller Lifter Sizes & Bore Sizes

Roller Lifter Size	Aluminum Block Lifter Bore	Cast Iron Block Lifter Bore
+/- .0002 tolerance	.001/.0015 clearance	.002/.0025 clearance
.8415"	.8425"/.8430"	.8435"/.8440"
.8731"	.8741"/.8746"	.8751"/.8756"
.9031"	.9041"/.9046"	.9051"/.9056"
.9361"	.9371"/.9376"	.9381"/.9386"
.9890"	.9900"/.9905"	.9910"/.9915"
.9975"	.9985"/.9990"	.9995"/1.000"

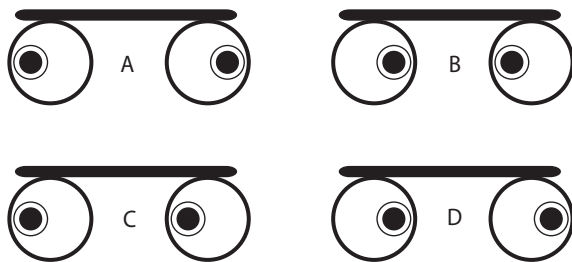
Note: OIL RESTRICTORS ARE NOT RECOMMENDED

## HI-SEAT OFFSET ROLLERS

Crower's "High-Seat" rollers feature a .180" offset, integral rev-kit button and Crower's "High-Seat" pushrod design. Allows for shorter pushrods, reducing flex and weight for more valve control.

## CUSTOM CONFIGURATION ROLLERS

Crower can build your lifters to your exact configuration. Don't see what you need from our wide selection of lifters? Give us a call and speak to one of our techs and let us build you a custom set of lifters to your specs.



Description	Spring Pressure Group	Lifter Body Diameter	Lifter Weight	Tall Lifter Bore Block*	Part No.
CHEVROLET 265-400 V8 .842"	3	.8415"	136g	NO	66275-16
CHEVROLET 265-400 V8 .874"	3	.8731"	147g	NO	66277-16

Spring Groups: #3 750-900 lbs. (See Page 3 for details.)



# Solid Roller Lifters

## SEVERE-DUTY CUTAWAY ROLLER LIFTERS

A must for high cylinder pressure, high rpm applications. Crower's Severe-Duty Cut-Away style rollers feature a superior, billet alloy body, lightweight design and a heavy-duty blade, raised to fit late model blocks. Severe-Duty Cutaway Roller Lifters are lighter than the original lifters and available with offset pushrod seats. Standard or .150" offset. Fit .842 & .875 Lifter Bore Blocks. Lifters are available with Hi Pressure Pin Oiling (HIPPO) option.



Description	Spring Pressure Group	Intake Offset	Exhaust Offset	Pushrod Seat Location	Left	Center	Right	Lifter Body Diameter	Pushrod Seat Height	Lifter Weight	Tall Lifter Bore Block*	Bearing O.D.	Part No.	Part No. w/HIPPO
AMC V8 '66-'91, 290-304-343-360(5.9L)-390-401 cu. in.	3	-	-	-	16	-	-	.9031"	1.340"	116g	-	.750"	66384-16	66384H-16
BUICK V6 '78-'86, 196(3.2L)-231(3.8L)-252(4.1L) cu. in.	2	-	-	-	16	-	-	.8415"	1.590"	126g	-	.700"	66266-12	66266H-12
BUICK V8 '61-'80, 215-300-340-350 cu. in.	2	-	-	-	16	-	-	.8415"	1.590"	126g	-	.700"	66266-16	66266H-16
BUICK V8 '67-'76, 400-430-455 cu. in.	2	-	-	-	16	-	-	.8415"	1.590"	126g	-	.700"	66267-16	66267H-16
BUICK V8 '67-'76, 400-430-455 cu. in. .150" offset	2	YES	-	4	8	4	-	.8415"	1.590"	126g	-	.700"	66261-16	66261H-16
CHEVROLET V6 90° '78-'86, 200-229-262(4.3L) cu. in. w/V8 oiling	2	-	-	-	12	-	-	.8415"	1.590"	106g	-	.700"	66289-12	66289H-12
CHEVROLET V8 '55 up, 262-400 cu. in.	3	-	-	-	16	-	-	.8415"	1.590"	112g	YES	.750"	66290-16	66290H-16
CHEVROLET V8 '55 up, 262-400 cu. in.	3	-	-	-	16	-	-	.8731"	1.590"	119g	YES	.750"	66290X874-16	66290X874H-16
CHEVROLET V8 '55 up, 262-400 cu. in.	3	YES	-	4	8	4	-	.8415"	1.590"	112g	YES	.750"	66292-16	66292H-16
CHEVROLET V8 '55 up, 262-400 cu. in.	3	YES	-	4	8	4	-	.8731"	1.590"	119g	YES	.750"	66292X874-16	66292X874H-16
CHEVROLET V8 '98-'05, 5.7L SB2 Head/STD. Block	3	YES	YES	8	-	8	-	.8415"	1.590"	112g	YES	.750"	66282-16	66282H-16
CHEVROLET V8 '98-'05, 5.7L SB2 Head/STD. Block	3	YES	YES	8	-	8	-	.8731"	1.590"	119g	YES	.750"	66282X874-16	66282X874H-16
CHEVROLET V8 5.7L SB2/SB2	3	-	-	-	16	-	-	.8415"	1.590"	112g	YES	.750"	66283-16	66283H-16
CHEVROLET V8 5.7L SB2/SB2	3	-	-	-	16	-	-	.8731"	1.590"	119g	YES	.750"	66283X874-16	66283X874H-16
CHEVROLET V8 262-400 cu. in. w/Dart Buick cyl head	3	YES	-	16	-	-	-	.8415"	1.590"	112g	YES	.750"	66252-16	66252H-16
CHEVROLET V8 2000-up 5.7L LS1/LS7 & Vortec 4800, 5300, 6000	3	-	-	-	16	-	-	.8415"	1.590"	130g	-	.750"	66278-16	66278H-16
CHEVROLET V8 2000-up 5.7L LS1/LS7 & Vortec 4800, 5300, 6000 Higher blade for base circle clearance	3	-	-	-	16	-	-	.8415"	1.590"	130g	-	.750"	66278T-16	66278TH-16
CHEVROLET SBC V8 262-400 cu. in. .842 dia. centers	3	YES	-	4	8	4	-	.8415"	3.200"	-	-	.750"	66275-16	66275H-16
CHEVROLET SBC V8 262-400 cu. in. .874 dia. centers	3	YES	-	4	8	4	-	.8731"	3.200"	-	-	.750"	66277H-16	66277H-16
CHEVROLET V8 '58-'65 348-409 cu. in.	3	-	-	-	16	-	-	.8415"	1.590"	112g	YES	.750"	66291-16	66291H-16
CHEVROLET V8 '64-up 396-572 cu. in., fits tall lifter bore	3	-	-	-	16	-	-	.8415"	1.590"	112g	YES	.750"	66291-16	66291H-16
CHEVROLET V8 '64-up 396-572 cu. in., fits tall lifter bore	3	-	-	-	16	-	-	.8731"	1.590"	119g	YES	.750"	66291X874-16	66291X874H-16
CHEVROLET V8 '64-up 396-572 cu. in., fits tall lifter bore	3	YES	-	4	8	4	-	.8415"	1.590"	112g	YES	.750"	66293-16	66293H-16
CHEVROLET V8 '64-up 396-572 cu. in., fits tall lifter bore	3	YES	-	4	8	4	-	.8731"	1.590"	119g	YES	.750"	66293X874-16	66293X874H-16
CHRYSLER V8 383-440 Chrysler/Stage V w/pushrod oiling, shielded bearing	3	-	-	-	16	-	-	.9031"	1.340"	116g	-	.750"	66384-16	66384H-16
CHRYSLER V8 340 Small Block, Nascar Block	3	-	-	-	-	-	-	-	-	-	-	-	66245-16	66245H-16
FORD V8 221-302-351 W '62-up	3	-	-	-	16	-	-	.8731"	1.730"	126g	-	.750"	66215-16	66215H-16
FORD V8 390-427 FE '63-up	3	-	-	-	16	-	-	.8731"	1.730"	126g	-	.750"	66216-16	66216H-16
FORD V8 370-460 '68-up	3	-	-	-	16	-	-	.8731"	1.730"	126g	-	.750"	66217-16	66217H-16
FORD V8 351C-351M-400 '63-up	3	-	-	-	16	-	-	.8731"	1.730"	126g	-	.750"	66218-16	66218H-16
FORD V8 429 Boss "Z" Bar	3	-	-	-	16	-	-	.8731"	1.730"	126g	-	.750"	66219-16	66219H-16
FORD V8 289-351 W w/intake offset	3	YES	-	8	8	-	-	.8731"	1.730"	126g	-	.750"	66378-16	66378H-16
FORD V8 429-460 w/intake offset	3	YES	-	8	8	-	-	.8731"	1.730"	126g	-	.750"	66379-16	66379H-16
HOLDEN V8 Early Model	3	-	-	-	-	-	-	.8415"	1.740"	127g	-	.750"	66262-16	66262H-16
HOLDEN V8 LS Series Late Model	3	-	-	-	-	-	-	.8415"	1.720"	127g	-	.750"	66264-16	66264H-16
HOLDEN Inline 6 cylinder	3	-	-	-	-	-	-	.8415"	1.740"	127g	-	.750"	66263-12	66263H-12
OLDSMOBILE V8 260-455 cu. in. '64-'84	3	-	-	-	16	-	-	.8415"	1.720"	120g	-	.750"	66294-16	66294H-16
OLDSMOBILE V8 400-455 cu. in.	3	YES	-	-	-	-	-	.8415"	-	130g	-	.750"	66387-16	66387H-16
PONTIAC V8 265-455 cu. in. '55-'81	3	-	-	-	16	-	-	.8415"	1.720"	120g	-	.750"	66294-16	66294H-16
PONTIAC V8 265-455 cu. in. '55-'81	3	YES	-	4	8	4	-	.8415"	1.720"	120g	-	.750"	66295-16	66295H-16

**Warning:** Never submerge roller lifters in parts washers due to possible contamination from suspended metal fines in the solvent.

\*Tall Lifter Bore Block (tappets fit blocks with taller lifter bores)

Crower recommends .0015" - .0025" tappet bore clearance.

Spring Groups: #2 680-750 lbs. • #3 750-900 lbs. (See Page 3 for details.)

# Solid Roller Lifters



Photo Shown  
Part # 66291X903H-16

## SEVERE-DUTY / OVERSIZED BEARING

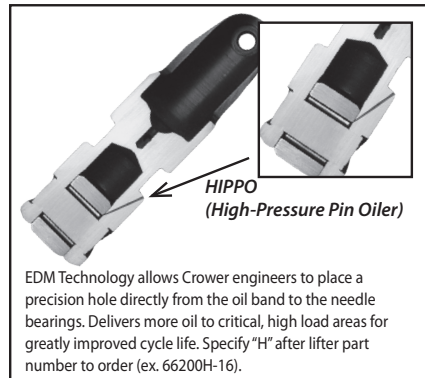
Crowder offers a series of Severe-Duty roller lifters designed for full race use. Features an integral one piece body, CNC machined from special alloy and heat treated for the best possible wear. Utilizes larger diameter bearings with thicker wall than standard designs to withstand today's high performance race applications. Lifters are available with Hi Pressure Pin Oiling (HIPPO) option.

Description	Spring Pressure Group	Intake Offset	Exhaust Offset	Pushrod Seat Location			Lifter Body Diameter	Pushrod Seat Height	Lifter Weight	Tall Lifter Bore Block	Bearing O.D.	Part No.	
				Left	Center	Right						Part No.	w/HIPPO
CHEVROLET V8 '55-up 262-400 cu. in.	5	-	-	-	16	-	.9031"	1.590"	130g	YES	.812"	66290X903-16	66290X903H-16
CHEVROLET V8 '55-up 262-400 cu. in.	8	-	-	-	16	-	.9361"	1.430"	133g	YES	.850"	66290X937-16	66290X937H-16
CHEVROLET V8 '55-up 262-400 cu. in. intake offset	5	YES	-	4	8	4	.9031"	1.590"	130g	YES	.812"	66292X903-16	66292X903H-16
CHEVROLET V8 '55-up 262-400 cu. in. intake offset	8	YES	-	4	8	4	.9361"	1.430"	133g	YES	.850"	66292X937-16	66292X937H-16
CHEVROLET V8 2000-up 5.7L LS1/LS7 & Vortec 4800, 5300, 6000 W/ Oversized Bearings Tall Body	5	NO	-	-	16	-	.9031"	1.590"	-	YES	.812"	66278X903T-16	66278X903TH-16
CHEVROLET V8 '98-'05, 5.7L SB2 Head/STD. Block intake offset	5	YES	YES	8	-	8	.9031"	1.590"	130g	YES	.812"	66282X903-16	66282X903H-16
CHEVROLET V8 '98-'05, 5.7L SB2 Head/STD. Block intake offset	8	YES	YES	8	-	8	.9361"	1.430"	133g	YES	.850"	66282X937-16	66282X937H-16
CHEVROLET V8 '98-'05, 5.7L SB2 Head / SB2 Block	5	-	-	-	16	-	.9031"	1.590"	130g	YES	.812"	66283X903-16	66283X903H-16
CHEVROLET V8 '98-'05, 5.7L SB2 Head / SB2 Block	8	-	-	-	16	-	.9361"	1.430"	133g	YES	.850"	66283X937-16	66283X937H-16
CHEVROLET V8 '64-up Big Block, fits tall lifter bore.	5	-	-	-	16	-	.9031"	1.590"	130g	YES	.812"	66291X903-16	66291X903H-16
CHEVROLET V8 '64-up Big Block, fits tall lifter bore.	8	-	-	-	16	-	.9361"	1.430"	133g	YES	.850"	66291X937-16	66291X937H-16
CHEVROLET V8 '64-up Big Block 396-572 cu. in.	5	YES	-	4	8	4	.9031"	1.590"	130g	YES	.812"	66293X903-16	66293X903H-16
CHEVROLET V8 '64-up Big Block 396-572 cu. in.	8	YES	-	4	8	4	.9361"	1.430"	133g	YES	.850"	66293X937-16	66293X937H-16
CHRYSLER V8 440"B" - 426 w/pushrod oiling	5	-	-	-	16	-	.9031"	1.340"	122g	-	.812"	66233-16	66233H-16
CHRYSLER V8 340 59" with or without pushrod oiling	5	-	-	-	16	-	.9031"	1.340"	113g	-	.812"	66234X903-16	66234X903H-16
CHRYSLER V8 R3 48" Block *May require oil feed modifications	5	-	-	-	16	-	.9031"	1.340"	113g	-	.812"	66235X903-16	66235X903H-16
CHRYSLER V8 340 with or without pushrod oiling intake offset	5	YES	-	4	8	4	.9031"	1.340"	113g	-	.812"	66238X903-16	66238X903H-16
CHRYSLER V8 360 MagnaM w/pushrod oiling	5	-	-	-	16	-	.9031"	1.340"	122g	-	.812"	66236-16	66236H-16
CHRYSLER V8 340 w/pushrod oiling/inboard blade	5	-	-	-	16	-	.9031"	1.340"	117g	-	.812"	66237-16	66237H-16
FORD 289-351 .903 dia.	5	-	-	-	16	-	.9031"	1.590"	130g	-	.812"	66215X903-16	66215X903H-16
FORD 289-351 .937 dia.	8	-	-	-	16	-	.9370"	1.590"	130g	-	.850"	66215X937-16	66215X937H-16
FORD 289-351W w/intake offset	5	YES	-	-	8	8	.9031"	1.590"	130g	-	.812"	66378X903-16	66378X903H-16
FORD 289-351W w/intake offset	5	YES	-	-	8	8	.9031"	1.590"	130g	-	.812"	66378X903T-16	66378X903TH-16
FORD 289-351W w/intake offset	8	YES	-	-	8	8	.9361"	1.430"	133g	-	.850"	66378X937-16	66378X937H-16
FORD 429 Boss "Z" Bar	5	-	-	-	16	-	.9031"	1.590"	130g	-	.812"	66219X903-16	66219X903H-16
FORD 429-460 intake offset	5	YES	-	-	8	8	.9031"	1.590"	130g	-	.812"	66379X903-16	66379X903H-16
FORD 429-460 intake offset	8	YES	-	-	8	8	.9361"	1.430"	133g	-	.850"	66379X937-16	66379X937H-16
FORD 460 "Straight"	8	YES	-	-	8	8	.9361"	1.430"	133g	-	.850"	66217X937-16	66217X937H-16

\* May require oil feed modifications

Spring Groups: #5 1000-1300 lbs. • #8 1200-1450 lbs. (See Page 3 for details.)

Crowder roller lifters are rebuildable.



For High Pressure Pin Oiling (HIPPO), specify "H" after p/n.

## Roller Lifter Sizes & Bore Sizes

Roller Lifter Size	Aluminum Block Lifter Bore	Cast Iron Block Lifter Bore
+/- .0002 tolerance	.001/.0015 clearance	.002/.0025 clearance
.8415"	.8425"/.8430"	.8435"/.8440"
.8731"	.8741"/.8746"	.8751"/.8756"
.9031"	.9041"/.9046"	.9051"/.9056"
.9361"	.9371"/.9376"	.9381"/.9386"
.9890"	.9900"/.9905"	.9910"/.9915"
.9975"	.9985"/.9990"	.9995"/1.000"

Note: OIL RESTRICTORS ARE NOT RECOMMENDED

# Raised Seat Roller Lifters

*All New*

## RAISED SEAT ROLLER LIFTERS

All Crower lifters are designed to meet racers ever changing engine combinations. Many of the late model blocks have taller lifter bores, so using standard seat height lifters with an offset required manual notching of the lifter bore for pushrod clearance. We have developed a lifter with +.300" higher pushrod seat to solve this problem. No more need to notch the block for pushrod clearance and you'll use a .300" shorter pushrod creating the extra advantage of reduced flex and weight. Our lightweight billet alloy bodies are paired with our beefy stainless steel alignment blade.

Crower Raised Seat lifters are available with needle bearings, needle bearing with high pressure pin oiling or in the bushed "EnduraMax" design. They are available in .842" and .903" diameters with centered or .150 seat offset. American made at our state of the art facility in San Diego, CA.

Description	Spring Pressure Group	Intake Offset	Exhaust Offset	Pushrod Left	Seat Center	Location Right	Lifter Body Diameter	Pushrod Seat Height	Weight	Bearing O.D.	Part No.
SBC Cutaway .842 O.D. EnduraMax	4	-	-	-	16	-	.8415	1.890	131g	.750	66490X842E-16
SBC Cutaway .903 O.D. EnduraMax	6	-	-	-	16	-	.9031	1.890	153g	.812	66490X903E-16
SBC Cutaway .903 O.D. With Hi Pressure Pin Oiling (Set 16)	5	-	-	-	16	-	.9031	1.890	153g	.812	66490X903H-16
SBC Cutaway 86 Up & Bowtie	3	-	-	-	16	-	.8415	1.890	131g	.750	66490-16
SBC Cutaway .842 O.D. with Hi Pressure Pin Oiling	3	-	-	-	16	-	.8415	1.890	131g	.750	66490H-16
SBC Cutaway Intake Offset	3	Yes	-	4	8	4	.8415	1.890	131g	.750	66492-16
SBC Cutaway Intake Offset with Hi Pressure Pin Oiling	3	Yes	-	4	8	4	.8415	1.890	131g	.750	66492H-16
SBC Cutaway Intake Offset .842 O.D. EnduraMax	4	Yes	-	4	8	4	.8415	1.890	131g	.750	66492X842E-16
SBC Cutaway Intake Offset .903 O.D. EnduraMax	6	Yes	-	4	8	4	.9031	1.890	153g	.812	66492X903E-16
SBC Cutaway Intake Offset .903 O.D. With Hi Pressure Pin Oiling	5	Yes	-	4	8	4	.9031	1.890	153g	.812	66492X903H-16
BBC & Big Chief Intake Offset .300"	3	Yes	-	4	8	4	.8415	1.890	131g	.750	66493-16
BBC & Big Chief Intake Offset With Hi Pressure Pin Oiling	3	Yes	-	4	8	4	.8415	1.890	131g	.750	66493H-16
BBC & Big Chief Intake Offset .842 O.D. EnduraMax	4	Yes	-	4	8	4	.8415	1.890	131g	.750	66493X842E-16
BBC & Big Chief Int Offset .903 O.D.	5	Yes	-	4	8	4	.9031	1.890	153g	.812	66493X903-16
BBC & Big Chief Intake Offset .903 O.D. EnduraMax	6	Yes	-	4	8	4	.9031	1.890	153g	.812	66493X903E-16
BBC & Big Chief Intake Offset .903 O.D. With Hi Pressure Pin Oiling	5	Yes	-	4	8	4	.9031	1.890	153g	.812	66493X903H-16
BBC Cutaway .842 O.D.	3	-	-	-	16	-	.8415	1.890	131g	.750	66491-16
BBC Cutaway .842 O.D. With Hi Pressure Pin Oiling	3	-	-	-	16	-	.8415	1.890	131g	.750	66491H-16
BBC Cutaway .842 O.D. EnduraMax	4	-	-	-	16	-	.8415	1.890	131g	.750	66491X842E-16
BBC Cutaway .903 O.D. EnduraMax	6	-	-	-	16	-	.9031	1.890	153g	.812	66491X903E-16
BBC Cutaway .903 O.D. With Hi Pressure Pin Oiling (Set 16)	5	-	-	-	16	-	.9031	1.890	153g	.812	66491X903H-16

Spring Groups: #3 750-900 lbs. • #4 900-1000 lbs. • #5 1000-1300 lbs. • #6 1050-1350 lbs. (See Page 3 for details.)

# MAXIMUS

## SERIES ROLLER LIFTERS

Maximus Series Roller Lifters feature a High Strength Alloy Steel Body, carbonized for strength and wear resistance. A beefy stainless steel alignment blade and precision ground mounting pad ensure a perfect alignment. The finest bearing quality steel available, heat treated to our spec., gives our outer race the best rolling element and highest impact loading possible. Riding on precision sorted, contoured & micro polished needles. These roll on a tool steel axle, heat treated to material specifications for maximum strength, hardness, and reliability. Then precision ground to size and roundness, and micro polish finished.

Description	Spring Pressure Group	Intake Offset	Exhaust Offset	Pushrod Left	Seat Center	Location Right	Lifter Body Diameter	Pushrod Seat Height	Lifter Weight	Tall Lifter Bore Block*	Bearing O.D.	Part No.
CHRYSLER V8 426 Hemi w/pushrod oiling 1.000 dia.	10	-	-	-	16	-	.9975"	1.340"	142g	-	.920"	66271M-16
CHRYSLER V8 426 Hemi 1.000 dia.	10	-	-	-	16	-	.9975"	1.340"	142g	-	.920"	66272M-16
CHRYSLER V8 426 .903 dia.	7	-	-	-	16	-	.9031"	1.340"	121g	-	.812"	66284M-16
CHRYSLER V8 426 Hemi .903 dia. +.120 pushrod seat	7	-	-	-	16	-	.9031"	1.460"	129g	-	.812"	66285M-16
CHRYSLER V8 426 Hemi .903 dia. w/BA blade +.120 pushrod seat	7	-	-	-	16	-	.9031"	1.460"	129g	-	.812"	66285MB-16
CHRYSLER V8 Arias 8.3L (std seat height) .903 dia.	7	-	-	-	16	-	.9031"	1.340"	121g	-	.812"	66284AM-16
CHRYSLER V8 Arias 8.3L (+.120 seat height) .903 dia.	7	-	-	-	16	-	.9031"	1.460"	129g	-	.812"	66285AM-16
CHRYSLER V8 Arias 10.0L (std seat height) .903 dia.	7	-	-	-	16	-	.9031"	1.340"	121g	-	.812"	66284ATM-16
CHRYSLER V8 Arias 10.0L (+.120 seat height) .903 dia.	7	-	-	-	16	-	.9031"	1.460"	129g	-	.812"	66285ATM-16

Spring Groups: #7 1150-1350 lbs. • #10 1400 - + lbs. (See Page 3 for details.)

Crower roller lifters are rebuildable.



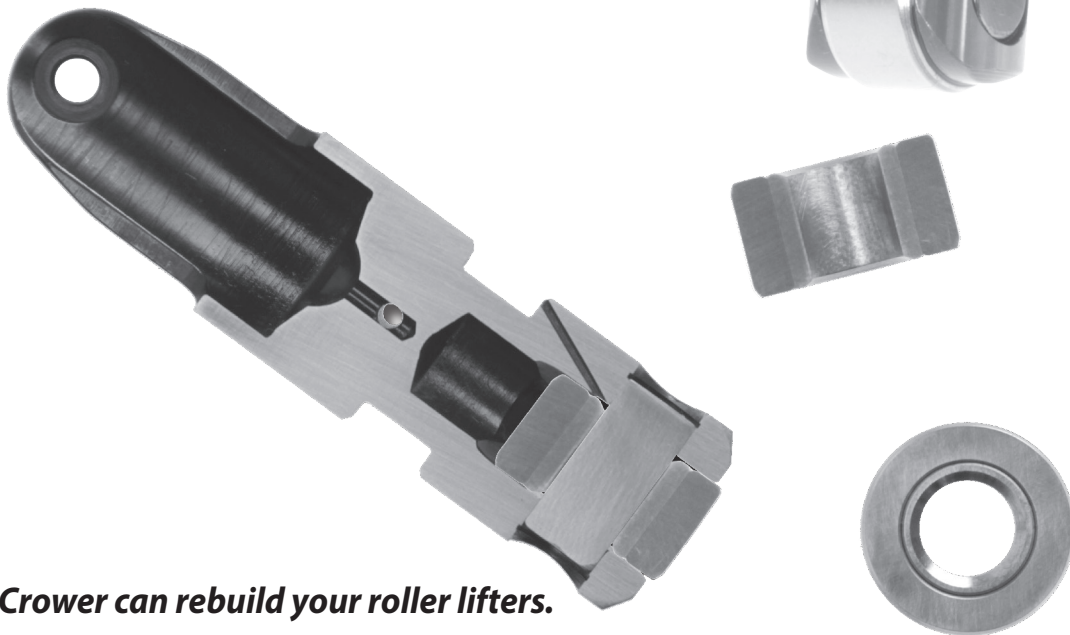
# Solid Roller Lifters

# ENDURA **max**

## **NEEDLELESS ROLLERS**

EnduraMax lifters feature a needleless roller bushing allowing for a greater load handling ability and more durability. They are available in all popular sizes and come standard with Crower's HIPPO (High Pressure Pin Oiling) to help keep the roller and shaft lubricated.

*EnduraMax lifters are the choice of serious racers, and have been race proven to be the longest lasting lifter on the market.*



**Crower can rebuild your roller lifters.**

We can convert any Crower roller with .317" or .363" axle, to EnduraMax Needleless Bearings. EnduraMax rollers must be equipped with HIPPO oiling. HIPPO oiling can be added to most Crower roller lifters when being converted to EnduraMax bearing.

# Solid Roller Lifters

# ENDURA<sup>max</sup> *The choice of serious racers*

Description	Spring Pressure Group	Intake Offset	Exhaust Offset	Pushrod Left	Seat Center	Location Right	Lifter Body Diameter	Pushrod Seat Height	Lifter Weight	Tall Lifter Bore Block	Bearing O.D.	Part No.
CHEVROLET V8 Small Block	4	-	-	-	16	-	.8415"	-	-	YES	.750"	66200E-16
CHEVROLET V8 Small Block .300 taller body	4	-	-	-	16	-	.8415"	-	-	YES	.750"	66200TE-16
CHEVROLET V8 Small Block	4	-	-	-	16	-	.8731"	-	-	YES	.750"	66200X874E-16
CHEVROLET V8 Big Block .300 taller body	4	-	-	-	16	-	.8415"	-	-	YES	.750"	66201TE-16
CHEVROLET V8 Big Block	4	-	-	-	16	-	.8415"	-	-	YES	.750"	66201E-16
CHEVROLET V8 Big Block	4	-	-	-	16	-	.8731"	-	-	YES	.750"	66201X874E-16
CHEVROLET SBC V8 262-400 cu. in. .842 dia. centers	4	-	-	4	8	4	.8415"	3.200"	-	YES	.750"	66275E-16
CHEVROLET SBC V8 262-400 cu. in. .874 dia. centers	4	-	-	4	8	4	.8731"	3.200"	-	YES	.750"	66277E-16
CHEVROLET SBC V8 262-400 cu. in. .842 dia. centers	4	-	-	-	16	-	.8415"	1.590"	112g	YES	.750"	66290X842E-16
CHEVROLET SBC V8 262-400 cu. in. .874 dia. centers	4	-	-	-	16	-	.8731"	1.590"	119g	YES	.750"	66290X874E-16
CHEVROLET SBC V8 262-400 cu. in. .903 dia. centers	6	-	-	-	16	-	.9031"	1.590"	130g	YES	.812"	66290X903E-16
CHEVROLET SBC V8 262-400 cu. in. .937 dia. centers	9	-	-	-	16	-	.9361"	1.430"	133g	YES	.850"	66290X937E-16
CHEVROLET SBC V8 262-400 cu. in. .842 dia. intake offset .150"	4	YES	-	4	8	4	.8415"	1.590"	112g	YES	.750"	66292X842E-16
CHEVROLET SBC V8 262-400 cu. in. .874 dia. intake offset .150"	4	YES	-	4	8	4	.8731"	1.590"	119g	YES	.750"	66292X874E-16
CHEVROLET SBC V8 262-400 cu. in. .903 dia. intake offset .150"	6	YES	-	4	8	4	.9031"	1.590"	130g	YES	.812"	66292X903E-16
CHEVROLET SBC V8 262-400 cu. in. .937 dia. intake offset .150"	9	YES	-	4	8	4	.9361"	1.430"	133g	YES	.850"	66292X937E-16
CHEVROLET V8 262-400 cu. in. SB2 Head w/std block .842 dia.	4	YES	YES	8	-	8	.8415"	1.590"	112g	YES	.750"	66282X842E-16
CHEVROLET V8 262-400 cu. in. SB2 Head w/std block .874 dia.	4	YES	YES	8	-	8	.8731"	1.590"	119g	YES	.750"	66282X874E-16
CHEVROLET V8 262-400 cu. in. SB2 Head w/std block .903 dia.	6	YES	YES	8	-	8	.9031"	1.590"	130g	YES	.812"	66282X903E-16
CHEVROLET V8 262-400 cu. in. SB2 Head w/std block .937 dia.	9	YES	YES	8	-	8	.9361"	1.430"	133g	YES	.850"	66282X937E-16
CHEVROLET V8 262-400 cu. in. SB2 Head w/SB2 Block .842 dia. centers only	4	-	-	-	16	-	.8415"	1.590"	112g	YES	.750"	66283X842E-16
CHEVROLET V8 262-400 cu. in. SB2 Head w/SB2 Block .874 dia. centers only	4	-	-	-	16	-	.8731"	1.590"	119g	YES	.750"	66283X874E-16
CHEVROLET V8 262-400 cu. in. SB2 Head w/SB2 Block .903 dia. centers only	6	-	-	-	16	-	.9031"	1.590"	130g	YES	.812"	66283X903E-16
CHEVROLET V8 262-400 cu. in. SB2 Head w/SB2 Block .937 dia. centers only	9	-	-	-	16	-	.9361"	1.430"	133g	YES	.850"	66283X937E-16
CHEVROLET BBC V8 396-572 cu. in. .842 dia. centers	4	-	-	-	16	-	.8415"	1.590"	112g	YES	.750"	66291X842E-16
CHEVROLET BBC V8 396-572 cu. in. .874 dia. centers	4	-	-	-	16	-	.8731"	1.590"	119g	YES	.750"	66291X874E-16
CHEVROLET BBC V8 396-572 cu. in. .903 dia. centers	6	-	-	-	16	-	.9031"	1.590"	130g	YES	.812"	66291X903E-16
CHEVROLET BBC V8 396-572 cu. in. .937 dia. centers	9	-	-	-	16	-	.9361"	1.430"	133g	YES	.850"	66291X937E-16
CHEVROLET BBC V8 396-572 cu. in. .842 dia. intake offset .150	4	YES	-	4	8	4	.8415"	1.590"	112g	YES	.750"	66293X842E-16
CHEVROLET BBC V8 396-572 cu. in. .874 dia. intake offset .150	4	YES	-	4	8	4	.8731"	1.590"	119g	YES	.750"	66293X874E-16
CHEVROLET BBC V8 396-572 cu. in. .903 dia. intake offset .150	6	YES	-	4	8	4	.9031"	1.590"	130g	YES	.812"	66293X903E-16
CHEVROLET BBC V8 396-572 cu. in. .937 dia. intake offset .150	9	YES	-	4	8	4	.9361"	1.430"	133g	YES	.850"	66293X937E-16
CHEVROLET V8 2000-up 5.7L LS1/LS7	4	-	-	-	16	-	.8415"	1.590"	130g	-	.750"	66278E-16
CHEVROLET V8 2000-up 5.7L LS1/LS7 Tall Body	4	-	-	-	16	-	.8415"	1.590"	130g	-	.750"	66278TE-16
CHEVROLET V8 2000-up 5.7L LS1/LS7 Tall Body	6	-	-	-	16	-	.9031"	1.590"	130g	-	.812"	66278X903TE-16
FORD V8 62' up 221-302-351W .874 dia.	4	-	-	-	16	-	.8731"	1.730"	126g	-	.750"	66215E-16
FORD V8 62' up 221-302-351W .903 dia.	6	-	-	-	16	-	.9031"	1.590"	130g	-	.812"	66215X903E-16
FORD V8 62' up 221-302-351W .937 dia.	9	-	-	-	16	-	.9361"	1.430"	133g	-	.850"	66215X937E-16
FORD V8 63' up 390-427FE .874 dia.	4	-	-	-	16	-	.8731"	1.730"	126g	-	.750"	66216E-16
FORD V8 63' up 390-427FE .903 dia.	6	-	-	-	16	-	.9031"	1.590"	130g	-	.812"	66216X903E-16
FORD V8 63' up 390-427FE .937 dia.	9	-	-	-	16	-	.9361"	1.430"	133g	-	.850"	66216X937E-16

Spring Groups: #4 900-1000 lbs. • #6 1050-1350 lbs. • #9 1250-1450 lbs. (See Page 3 for details.)

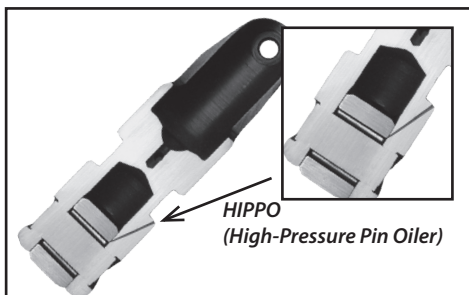
# Solid Roller Lifters

## ENDURA **max** *The choice of serious racers*

Description	Spring Pressure Group	Intake Offset	Exhaust Offset	Pushrod Left	Seat Location Center	Seat Location Right	Lifter Body Diameter	Pushrod Seat Height	Lifter Weight	Tall Lifter Bore Block*	Bearing O.D.	Part No.
FORD V8 68' up 370-460 .874 dia.	4	-	-	-	16	-	.8731"	1.730"	126g	-	.750"	66217E-16
FORD V8 68' up 370-460 .903 dia.	6	-	-	-	16	-	.9031"	1.590"	130g	-	.812"	66217X903E-16
FORD V8 68' up 370-460 .937 dia.	9	-	-	-	16	-	.9361"	1.430"	133g	-	.850"	66217X937E-16
FORD V8 63' up 351C-351M-400 .874 dia.	4	-	-	-	16	-	.8731"	1.730"	126g	-	.750"	66218E-16
FORD V8 63' up 351C-351M-400 .903 dia.	6	-	-	-	16	-	.9031"	1.590"	130g	-	.812"	66218X903E-16
FORD V8 63' up 351C-351M-400 .937 dia.	9	-	-	-	16	-	.9361"	1.430"	133g	-	.850"	66218X937E-16
FORD V8 429 Boss "Z" Bar .874 dia.	4	-	-	-	16	-	.8731"	1.730"	126g	-	.750"	66219E-16
FORD V8 429 Boss "Z" Bar	6	-	-	-	16	-	.9031"	1.590"	130g	-	.812"	66219X903E-16
FORD V8 289-351W .874 dia. intake offset .150	4	-	-	-	8	8	.8731"	1.730"	126g	-	.750"	66378E-16
FORD V8 289-351W .903 dia. intake offset .150	6	-	-	-	8	8	.9031"	1.590"	130g	-	.812"	66378X903E-16
FORD V8 289-351W .937 dia. intake offset .150	9	-	-	-	8	8	.9361"	1.430"	133g	-	.850"	66378X937E-16
FORD V8 429-460 .874 dia. intake offset .150	4	-	-	-	8	8	.8731"	1.730"	126g	-	.750"	66379E-16
FORD V8 429-460 .903 dia. intake offset .150	6	-	-	-	8	8	.9031"	1.590"	130g	-	.812"	66379X903E-16
FORD V8 429-460 .937 dia. intake offset .150	9	-	-	-	8	8	.9361"	1.430"	133g	-	.850"	66379X937E-16
HOLDEN V8 Early Model	4	-	-	-	-	-	.8415"	1.740"	-	-	.750"	66262E-16
HOLDEN V8 2S Series	4	-	-	-	-	-	.8415"	1.720"	-	-	.750"	66264E-16
HOLDEN Inline 6 cylinder	4	-	-	-	-	-	.8415"	1.740"	-	-	.750"	66263E-12
CHRYSLER V8 426-440 Tall lifter bore block w/pushrod oiling	6	-	-	-	16	-	.9031"	1.340"	-	-	.812"	66233E-16
OLDSMOBILE V8 260-455 cu. in.	4	-	-	-	16	-	.8415"	1.720"	-	-	.750"	66294E-16
PONTIAC V8 265-455 cu. in.	4	-	-	-	16	-	.8415"	1.720"	-	-	.750"	66294E-16
PONTIAC V8 '55-up 326-455 cu. in.	4	-	-	-	16	-	.8415"	1.720"	-	-	.750"	66260E-16

Spring Groups: #4 900-1000 lbs. • #6 1050-1350 lbs. • #9 1250-1450 lbs. (See Page 3 for details.)

Crower roller lifters are rebuildable.



EDM Technology allows Crower engineers to place a precision hole directly from the oil band to the needle bearings. Delivers more oil to critical, high load areas for greatly improved cycle life. Specify "H" after lifter part number to order (ex. 66200H-16).

### Roller Lifter Sizes & Bore Sizes

Roller Lifter Size	Aluminum Block Lifter Bore	Cast Iron Block Lifter Bore
+/- .0002 tolerance	.001/.0015 clearance	.002/.0025 clearance
.8415"	.8425"/.8430"	.8435"/.8440"
.8731"	.8741"/.8746"	.8751"/.8756"
.9031"	.9041"/.9046"	.9051"/.9056"
.9361"	.9371"/.9376"	.9381"/.9386"
.9890"	.9900"/.9905"	.9910"/.9915"
.9975"	.9985"/.9990"	.9995"/1.000"

Note: OIL RESTRICTORS ARE NOT RECOMMENDED

**Tom Bailey**  
World's Fastest Street Car



#### Drag Week 2013

1028 miles, 4 race tracks  
5 days, 3 records.

All 6 second runs  
Not One Lifter Failure with ENDURAmx



**Crower Cams & Equipment Co., Inc.**

6180 Business Center Court • San Diego, CA 92154-5604  
Phone 619.661.6477 • Fax 619.661.6466 • [crower.com](http://crower.com)